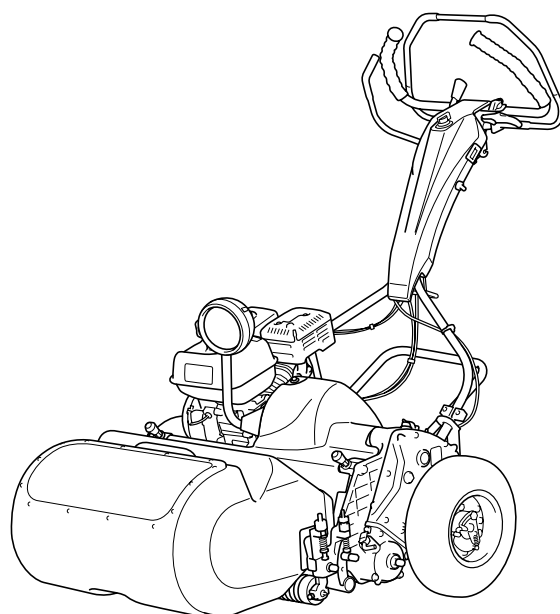


LM18GC · LM56GC ***LM66TC***

Walk Behind Greens Mower
Walk Behind Tee Mower

Parts catalog



BARONESS[®]
Quality on Demand

Serial No. LM18GC : 35115- • LM56GC : 35936-
LM66TC : 35212-

Ver.2.4

Greeting

Thank you for purchasing Baroness machine.

This machine has been shipped from the factory after comprehensive test runs and inspections. However, the optimum performance of the machine depends on how you use and maintain it, including routine inspections, adjustments, and fuel supplies before and after the operation.

We hope you will use the machine safely, and take advantage of its best performance.

Note

(For inquiry about this machine)

Since the type of machine may be changed sequentially, inform us of the type and the serial number.

The information described in this manual is subject to change without prior notice.

When replacing parts, be sure to use Baroness parts or parts designated by Kyoisha.

Note that the Baroness product warranty may not apply to defects caused by the use of parts from other companies.

(For ordering parts)

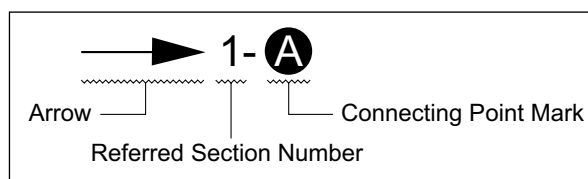
For prevention of delivery of wrong parts, be sure to inform us of the code number and the part name.

Example:	Code No.	Part Name	Qty
	K0200100002	WASHER, SPRING M10	8

<Indication of the connecting point shown on the other page>

(Example and description)

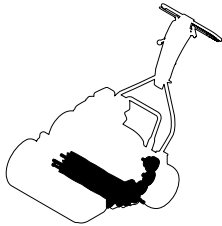
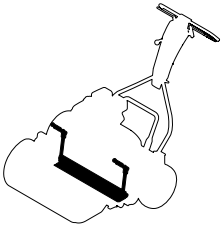
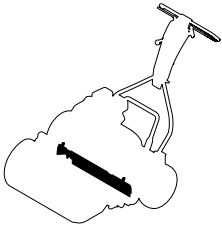
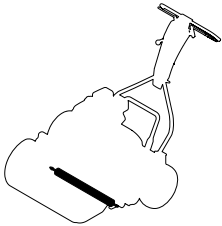
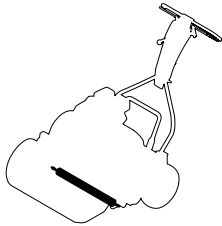
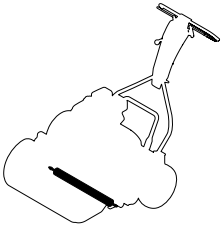
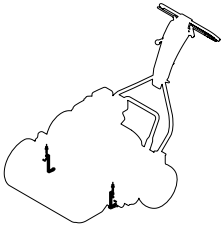
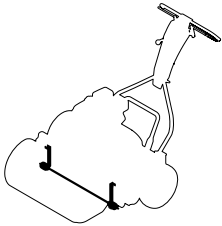
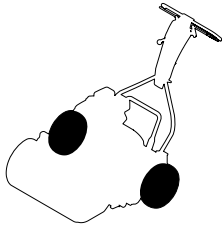
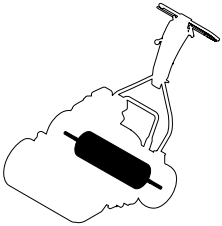
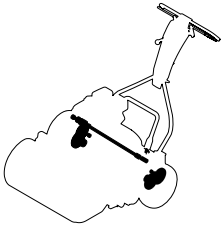
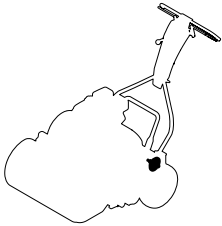
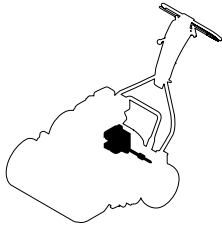
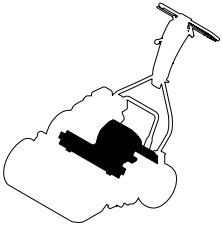
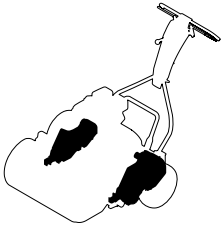
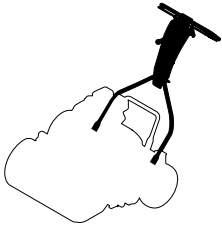

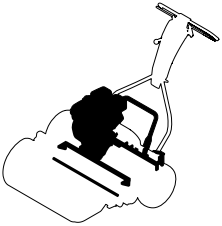
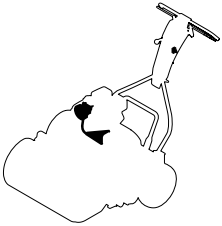
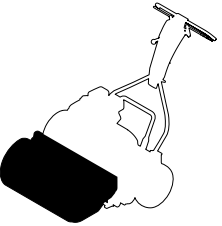
The following indication shows the connecting point of the part shown on the other page.



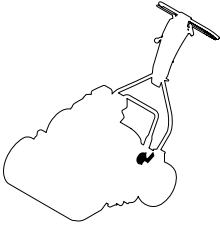
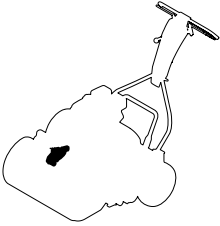
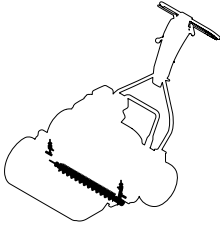
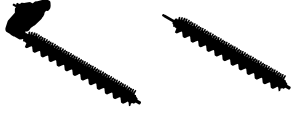
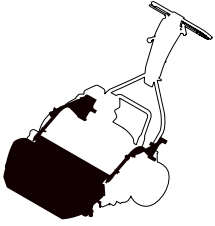
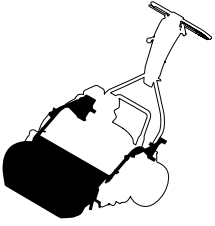
→ 1- **A** : Refer to the point **A** in the illustration of the section No.1

→ 2- **B** : Refer to the point **B** in the illustration of the section No.2

Contents

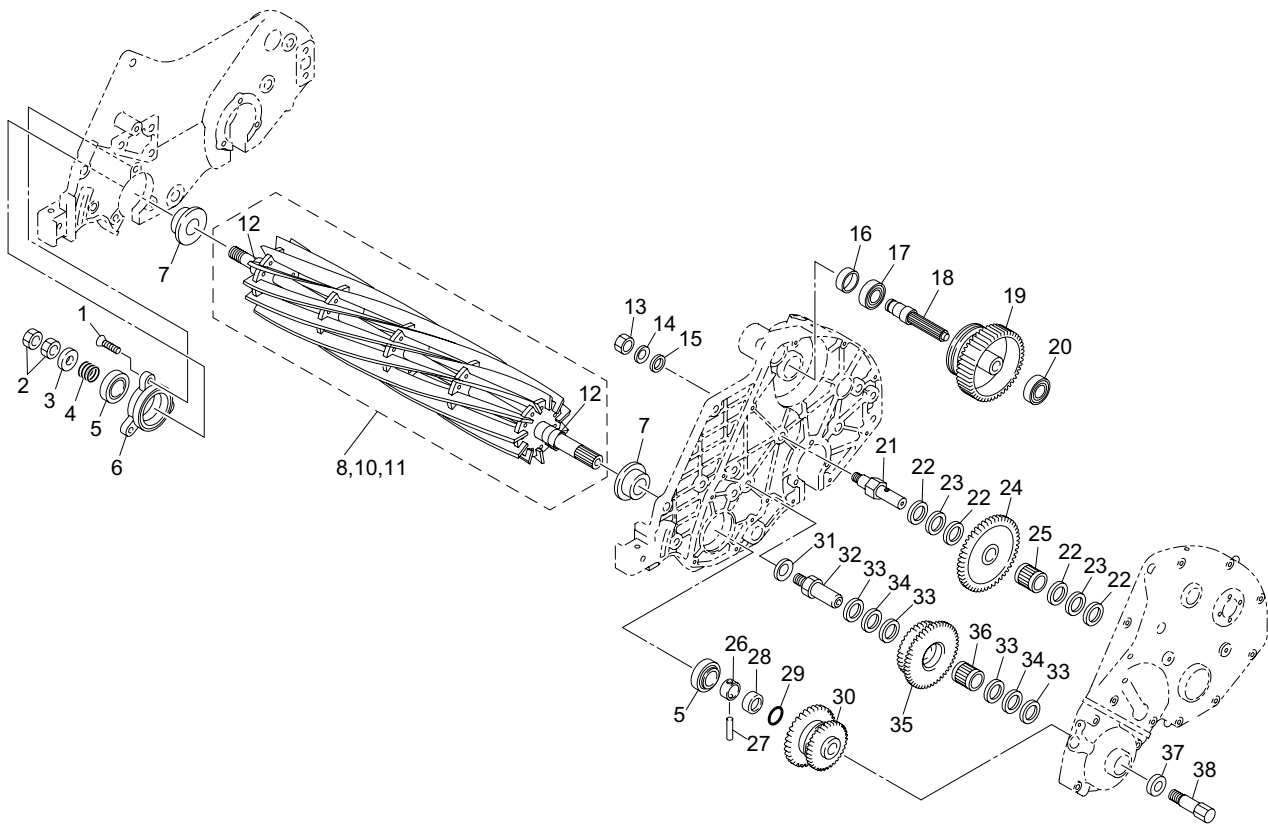
<p>1. Reel cutter section P5</p> 	<p>2. Bedknife section P7</p> 	<p>3. Reel cover section P9</p> 	<p>A4. Front roller section A P10</p> 
<p>B4. Front roller section B P11</p> 	<p>C4 Front roller section C P12</p> 	<p>A5. Front roller section D P13</p> 	<p>B5. Support roller section P14</p> 
<p>6. Drum wheel section A (Tire) P15</p> 	<p>7. Drum wheel section B (Drum) P16</p> 	<p>9. Drum wheel section D P18</p> 	<p>10. Drum wheel section E P20</p> 
<p>11. Clutch section A P21</p> 	<p>12. Clutch section B P23</p> 	<p>13. Frame section P24</p> 	<p>A14. Handle & Engine section B..... P26</p> 
<p>B14. Handle & Engine section C P28</p> 	<p>15. Handle & Engine section D P30</p> 	<p>16. Light section P32</p> 	<p>17. Grass catcher section P33</p> 

Contents

<p>18. Brake section..... P35</p> 	<p>19. Groomer section A P36</p> 	<p>20. Groomer section B P38</p> 	<p>21. Groomer section C P40</p> 
<p>22. Independent Grass Catcher Arm section for LM56GC..... P41</p> 	<p>23. Independent Grass Catcher Arm section for LM18GC..... P43</p> 	<p>24. Accessories P45</p>	<p>25. Optional tools P46</p>

1. Reel cutter section

LM18GC•LM56GC•LM66TC

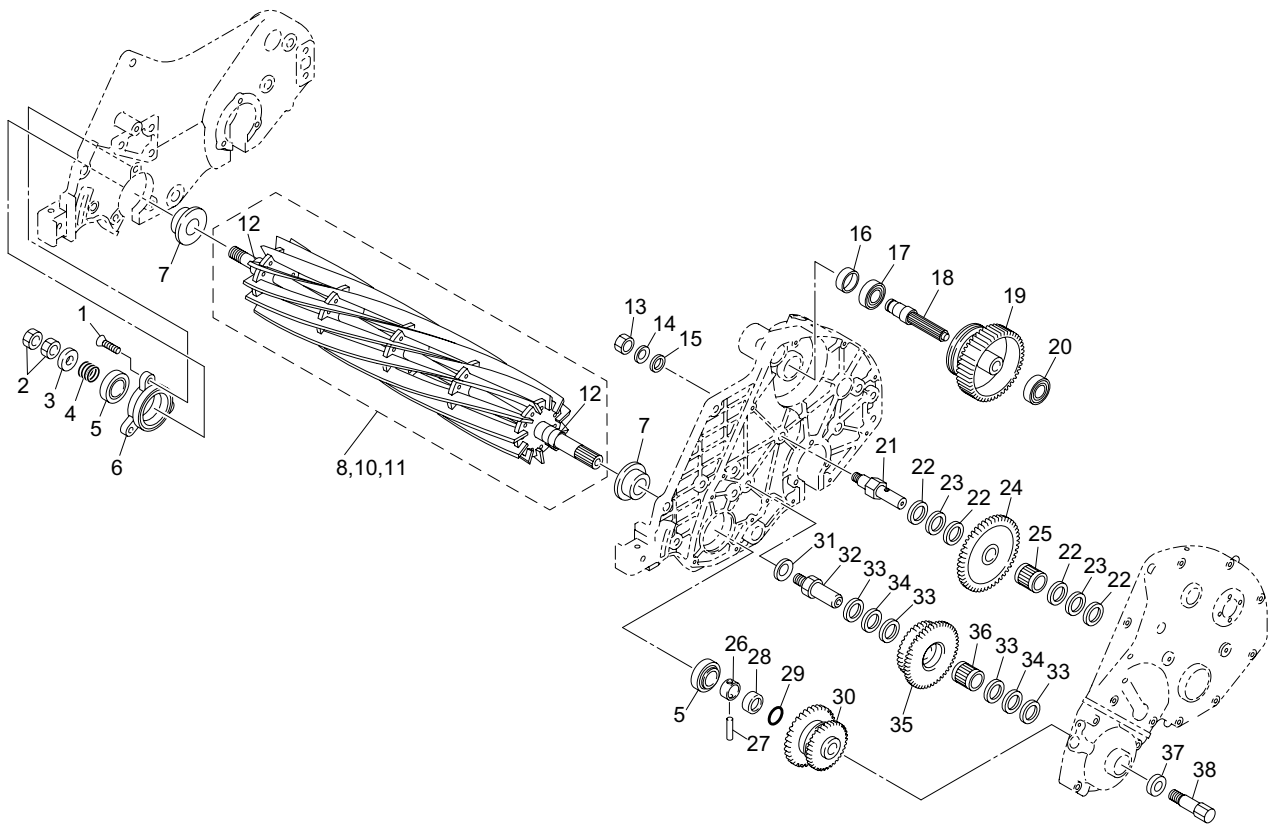


LM56GC_01_a01

Cat No.	Code No.	Part name	Qty			Remark	SN of application
			LM18	LM56	LM66		
1 - 1	K0053080202	BOLT, FLAT HEAD W/HEX. HOLE M8-20	3	3	3		
1 - 2	K0185160002	NUT, LEFT-HANDED P1.5 M16-3	2	2	2		
1 - 3	K5073216352	WASHER, SPHC 3.2-16-35	1	1	1		
1 - 4	K1000000740	SPRING, COMPRESSION M3.2-26.9-22	1	1	1		
1 - 5	K0631302040	BEARING, TAPER ROLLER JRP6 30204	2	2	2		
1 - 6	LM56G--0606Z2	HOUSING, REEL (RH)	1	1	1		
1 - 7	K0830000020	OIL SEAL, 254210	2	2	2		
1a-8	K28056101BR	REEL CUTTER, 557-11	0	1	0	11-blade	
1b-9							
1a-10	K28018001BR	REEL CUTTER, 457-11	1	0	0	11-blade	
1 - 11	K28066107BR	REEL CUTTER, 646-7	0	0	1	7-blade	
1 - 12	K6000000540	BUSH, SUS 23-25-15	2	2	2	for replacement	
1 - 13	K0160000282	NUT, P1 OH1 M10-3	1	1	1		
1 - 14	K0211100001	SPRING, CONICAL DISC H M10	1	1	1		
1 - 15	K5000100002	WASHER, M10	1	1	1		
1 - 16	K0811528070	OIL SEAL, MHS15287	1	1	1		
1 - 17	K0612060020	BEARING, BALL SEAL 2RD 6002	1	1	1		
1 - 18	LM56G--0108Z0	SHAFT, #2	1	1	1		
1 - 19	LM56G--0102A0	GEAR, 51-TEETH	1	1	1		
1 - 20	K0612060010	BEARING, BALL SEAL 2RD 6001	1	1	1		
1 - 21	LM55GB-0201A0	SHAFT, LEFT FRAME #2 SHAFT	1	1	1		
1 - 22	K5051013280	WASHER, C5191P 1-13-28	4	4	4		
1 - 23	K5020813280	WASHER, NBS55 0.8-13-28	2	2	2		
1 - 24	LM56G--0103A0	GEAR, 46-TEETH	1	1	1		
1 - 25	K0701317120	BEARING, NEEDLE KT131712	1	1	1		
1 - 26	K6213000040	COLLAR, W/HOLE FOR BEARING (LH)	1	1	1		
1 - 27	K0311045250	ROLLER, NEEDLE N4*25.8 FW6-C3	1	1	1		
1 - 28	K5300000282	COVER, FOR PIN LOCK	1	1	1		
1 - 29	K0880018000	O-RING, P18	1	1	1		
1 - 30	LM56G--6101A0	GEAR, DOUBLE 33-/42-TEETH	1	1	1		

1. Reel cutter section

LM18GC•LM56GC•LM66TC

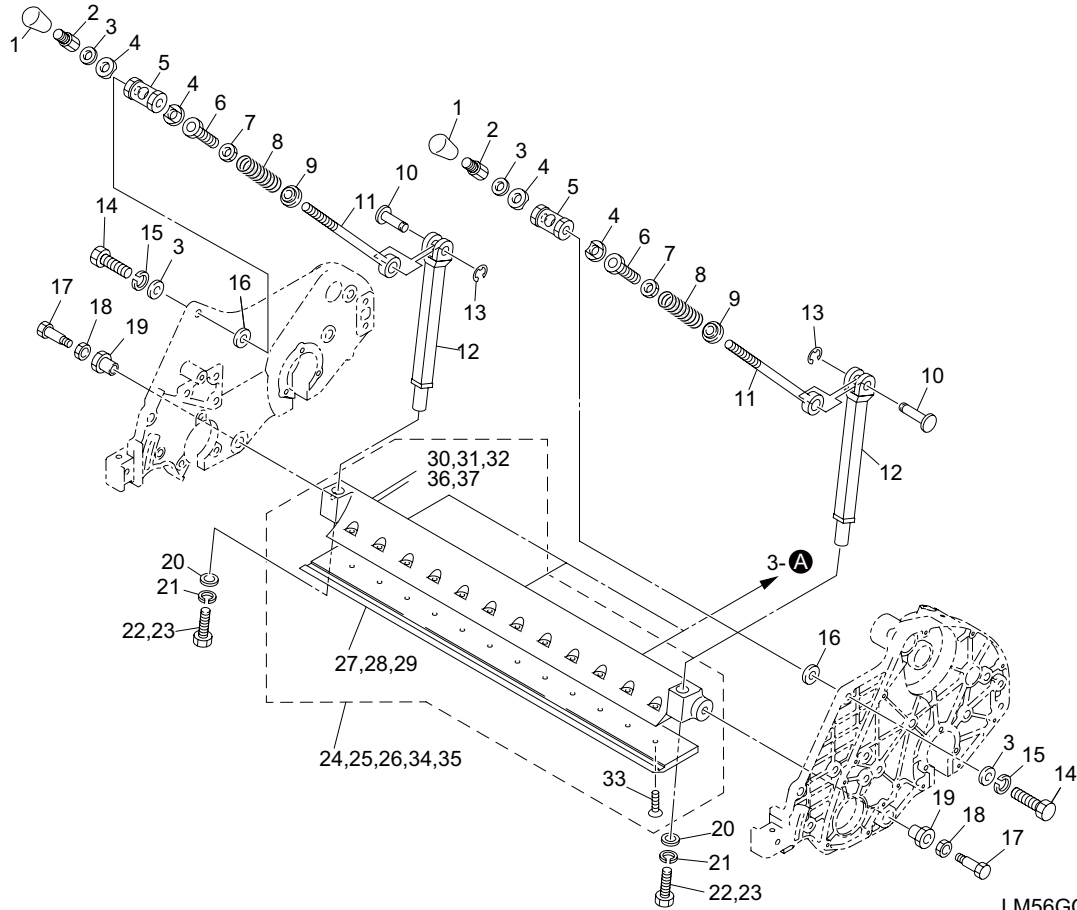


LM56GC_01_a01

Cat No.	Code No.	Part name	Qty			Remark	SN of application
			LM18	LM56	LM66		
1 - 31	K0211120002	SPRING, CONICAL DISC H M12	1	1	1		
1 - 32	LM56G-6102Z0	COUNTERSHAFT, REEL	1	1	1		
1 - 33	K5051015280	WASHER, C5191P 1-15-28	4	4	4		
1 - 34	K5020815280	WASHER, NBS55 0.8-15-28	2	2	2		
1 - 35	LM56G-6103Z0	GEAR, DOUBLE 36-/45-TEETH	1	1	1		
1 - 36	K0701519180	BEARING, NEEDLE KT151918 C3	1	1	1		
1 - 37	K0821228070	OIL SEAL, MHSA12287	1	1	1		
1 - 38	K0071000878	BOLT, SPECIAL M10-35	1	1	1		
1 - 39							
1 - 40							
1 - 41							

2. Bedknife section

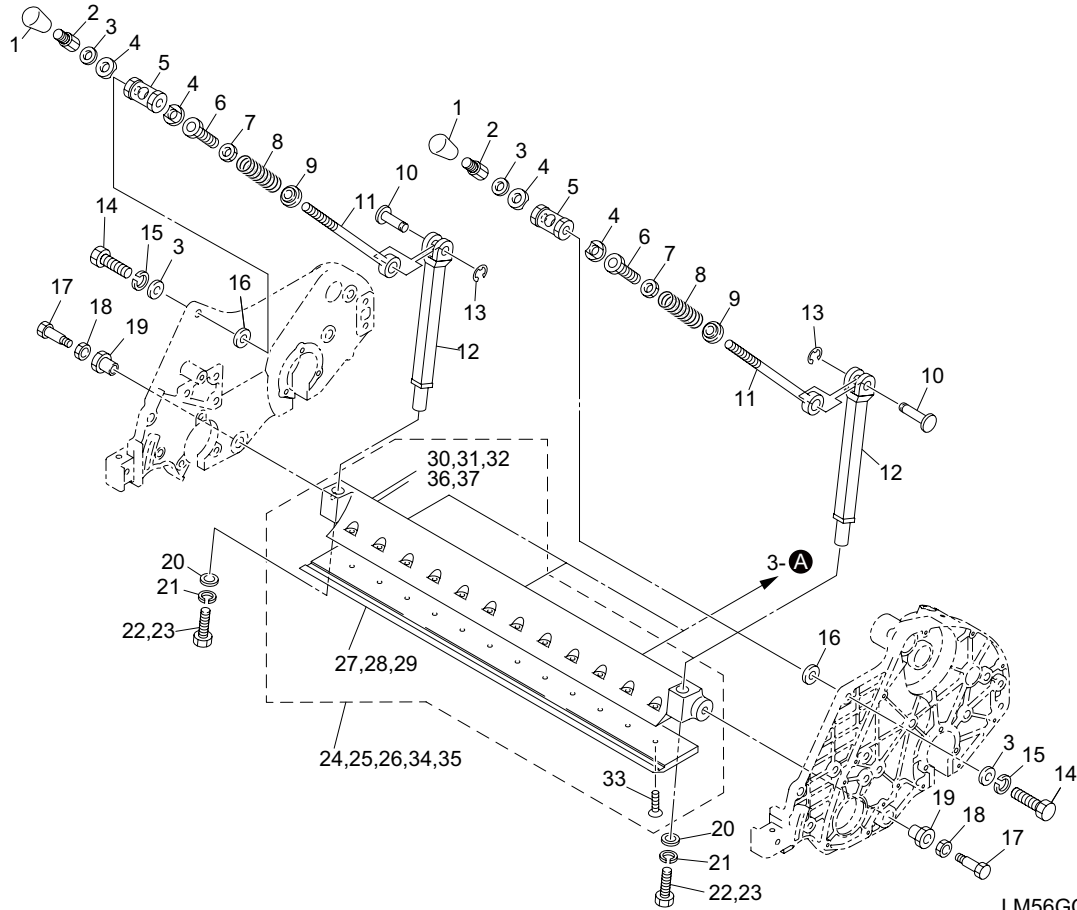
LM18GC•LM56GC•LM66TC



Cat No.	Code No.	Part name	Qty			Remark	SN of application
			LM18	LM56	LM66		
2 - 1	K1310000150	CAP, RUBBER 14	2	2	2		
2 - 2	LM56GA-0506Z2	NUT, ADJUSTING BED-KNIFE	2	2	2		
2 - 3	K5000100002	WASHER, M10	4	4	4		
2 - 4	K6500000102	WASHER, SS41 M5-10.5-22	4	4	4		
2 - 5	LM56GA-0509A2	FULCRUM	2	2	2		
2 - 6	LM56G--0504Z2	SCREW, ADJUSTING SPRING	2	2	2		
2 - 7	K0160000582	NUT, P1.25 M14-3	2	2	2		
2 - 8	K1000000458	SPRING, COMPRESSION M5-25-60	2	2	2		
2 - 9	K6206000052	RECEIVER, FOR SPRING	2	2	2		
2 - 10	K6032000062	PIN, FLAT HEAD HT M10-32	2	2	2		
2 - 11	K6511000082	BOLT, ADJUSTING REEL CUTTER 140	2	2	2		
2 - 12	LM56GA-0503C2	ARM, ADJUSTING BEDKNIFE	2	2	2		
2 - 13	K0400008002	RING, RETAINING E M8	2	2	2		
2 - 14	K0000100302	BOLT, M10-30	2	2	2		
2 - 15	K0200100002	WASHER, SPRING M10	2	2	2		
2 - 16	K5010412202	WASHER, SPCC 0.4-12-20	2-6	2-6	2-6	for adjustment	
2 - 17	K6082000010	BOLT, SUS STEPPED FOR FIXING CUTTER	2	2	2		
2 - 18	K0160000112	NUT, LOCKING	2	2	2		
2 - 19	K6010000010	BUSH, STEPPED	2	2	2		
2 - 20	K5073208202	WASHER, SPHC 3.2-8-20	2	2	2		
2 - 21	K0200080002	WASHER, SPRING M8	2	2	2		
2 - 22	K0000080152	BOLT, M8-15	2	0	0		
2 - 23	K0000080202	BOLT, M8-20	0	2	2		
2 - 24	LM56GA-2501A0	BEDKNIFE & BASE COMP, 1.5	0	1	0		
2a- 24	LM56GA-1505A0	BEDKNIFE & BASE COMP, 1.5-47-OFFSET	0	1	0	offset 5mm	
2b- 24	LM56GA-1508A0	BEDKNIFE & BASE COMP, 2.0	0	1	0		
2c- 24	LM56GA-1506A0	BEDKNIFE & BASE COMP, 2.0-47-OFFSET	0	1	0	offset 5mm	
2d- 24	LM56GA-0511A0	BEDKNIFE & BASE COMP, 2.5	0	1	0		
2e- 24	LM56GA-1507A0	BEDKNIFE & BASE COMP, 2.5-47-OFFSET	0	1	0	offset 5mm	
2f- 24	LM56GA-2601A0	BEDKNIFE & BASE COMP, 3.0	0	1	0		

2. Bedknife section

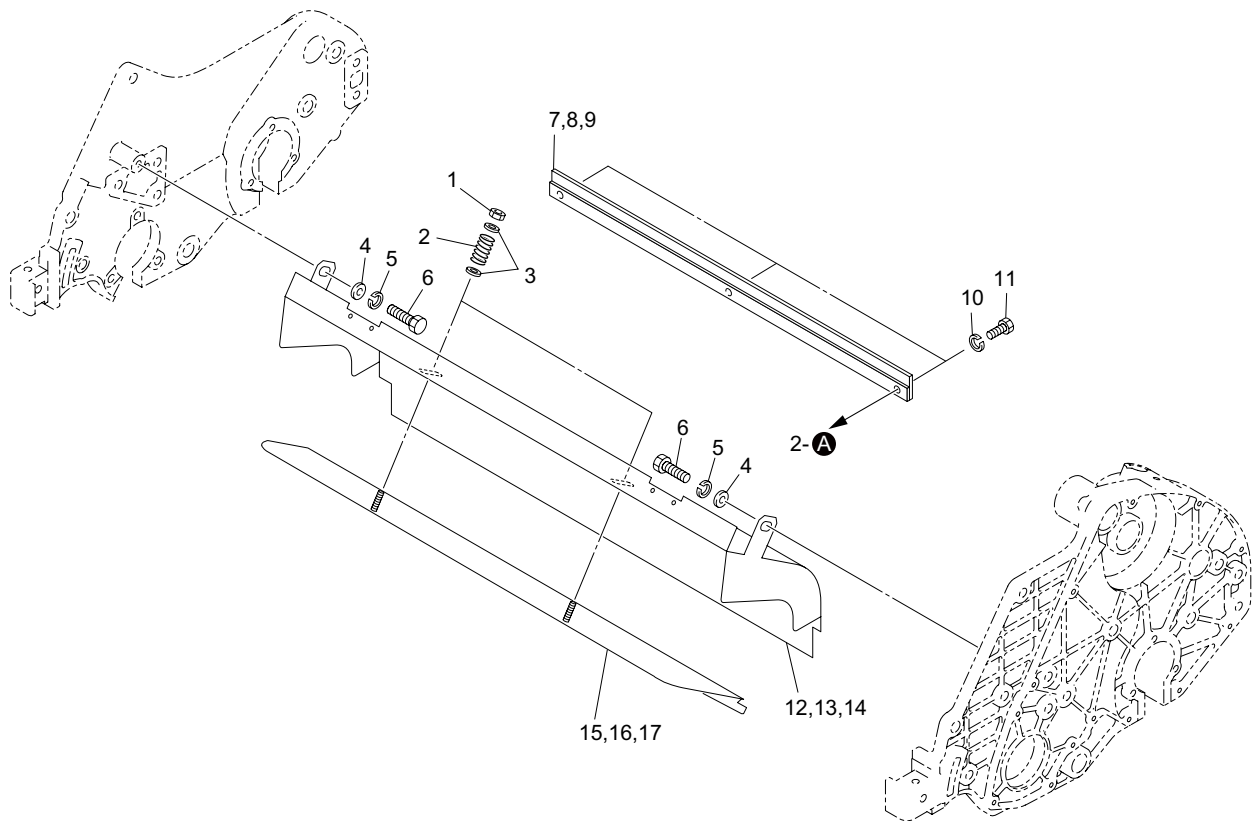
LM18GC•LM56GC•LM66TC



Cat No.	Code No.	Part name	Qty			Remark	SN of application
			LM18	LM56	LM66		
2f-25	LM66GA-2601A0	BEDKNIFE & BASE COMP, 3.0	0	0	1		
2g-25	LM66TA-0501A0	BEDKNIFE & BASE COMP, 5.0	0	0	1		
2-26	LM18G--2501A0	BEDKNIFE & BASE COMP, 1.5	1	0	0		
2a-26	LM18G--2909A0	BEDKNIFE & BASE COMP, 2.0	1	0	0		
2-27	K2511000270	BEDKNIFE, 1.5-22	0	1	0		
2a-27	K2511000390	BEDKNIFE, 1.5-22-47	0	1	0	offset 5mm	
2b-27	K2511000280	BEDKNIFE, 2.0-22	0	1	0		
2c-27	K2511000350	BEDKNIFE, 2.0-22-47	0	1	0	offset 5mm	
2d-27	K2511000050	BEDKNIFE, 2.5-22	0	1	0		
2e-27	K2511000240	BEDKNIFE, 2.5-22-47	0	1	0	offset 5mm	
2f-27	K2510000060	BEDKNIFE, TIPPED 3.0-22	0	1	0		
2g-27	K2510000160	BEDKNIFE, TIPPED 5.0-22	0	1	0		
2h-27	K2511000490	BEDKNIFE, TAKUMI 1.0-22	0	1	0		
2j-27	K2511000510	BEDKNIFE, TAKUMI 1.0-22-44.5	0	1	0	offset 2.5mm	
2f-28	K2510000150	BEDKNIFE, TIPPED 3.0-26	0	0	1		
2g-28	K2510000170	BEDKNIFE, TIPPED 5.0-26	0	0	1		
2-29	K2511000410	BEDKNIFE, 1.5-18	1	0	0		
2a-29	K2511000440	BEDKNIFE, 1.5-18-47	1	0	0	offset 5mm	
2b-29	K2511000430	BEDKNIFE, 1.5-18-44.5	1	0	0	offset 2.5mm	
2c-29	K2511000420	BEDKNIFE, 2.0-18	1	0	0		
2e-29	K2511000480	BEDKNIFE, TAKUMI 1.0-18	1	0	0		
2f-29	K2511000500	BEDKNIFE, TAKUMI 1.0-18-44.5	1	0	0	offset 2.5mm	
2-30	LM56GA-0501AR	BASE, BEDKNIFE	0	1	0		
2-31	LM66GA-0501AR	BASE, BEDKNIFE	0	0	1		
2-32	LM18G--0501AR	BASE, BEDKNIFE	1	0	0		
2-33	K0071000222	SCREW, HT + FLAT HEAD M6-12	11	13	15		
2a-34	LM56GA-1501A0	BEDKNIFE & BASE COMP, 1.5 OFFSET	0	1	0		
2a-35	LM18GB-2001A0	BEDKNIFE & BASE COMP, 1.5 OFFSET	1	0	0		
2a-36	LM56GA-0521AR	BASE, BEDKNIFE OFFSET	0	1	0		
2a-37	LM18G--2913AR	BASE, BEDKNIFE OFFSET	1	0	0		

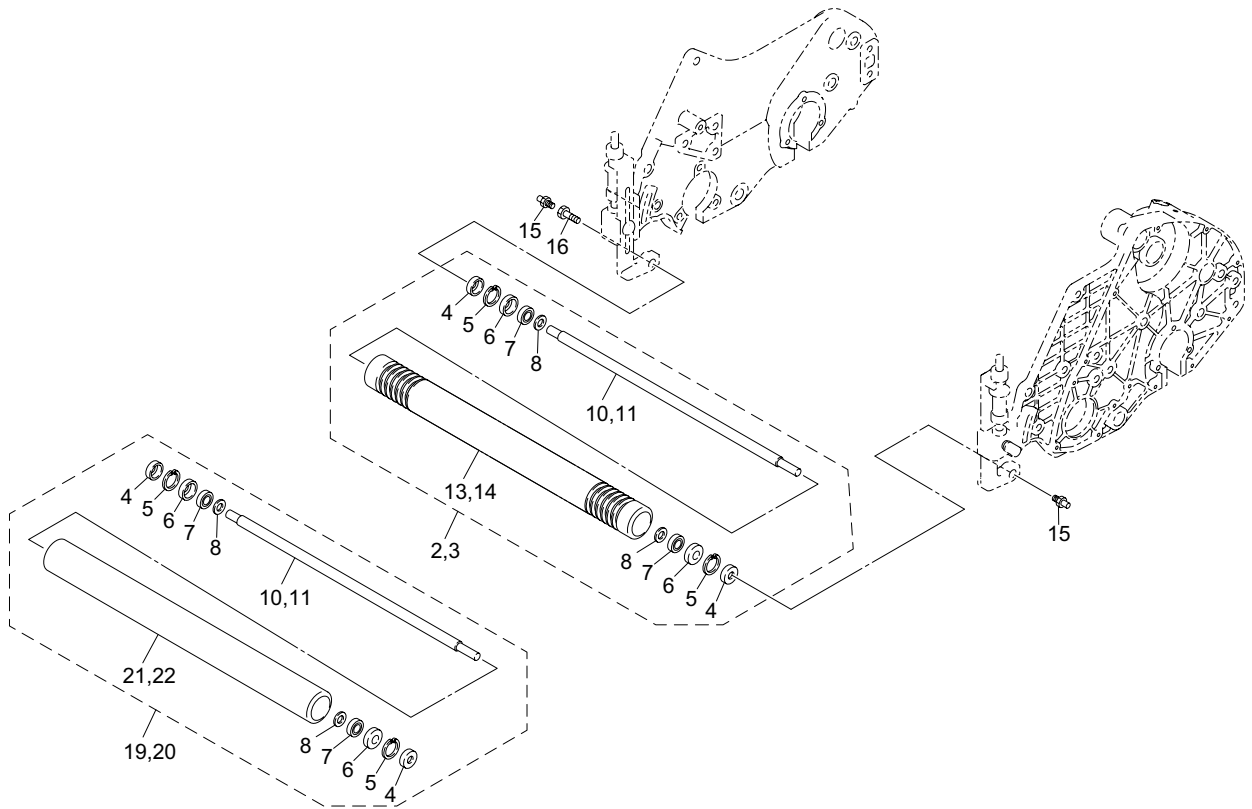
3. Reel cover section

LM18GC•LM56GC•LM66TC



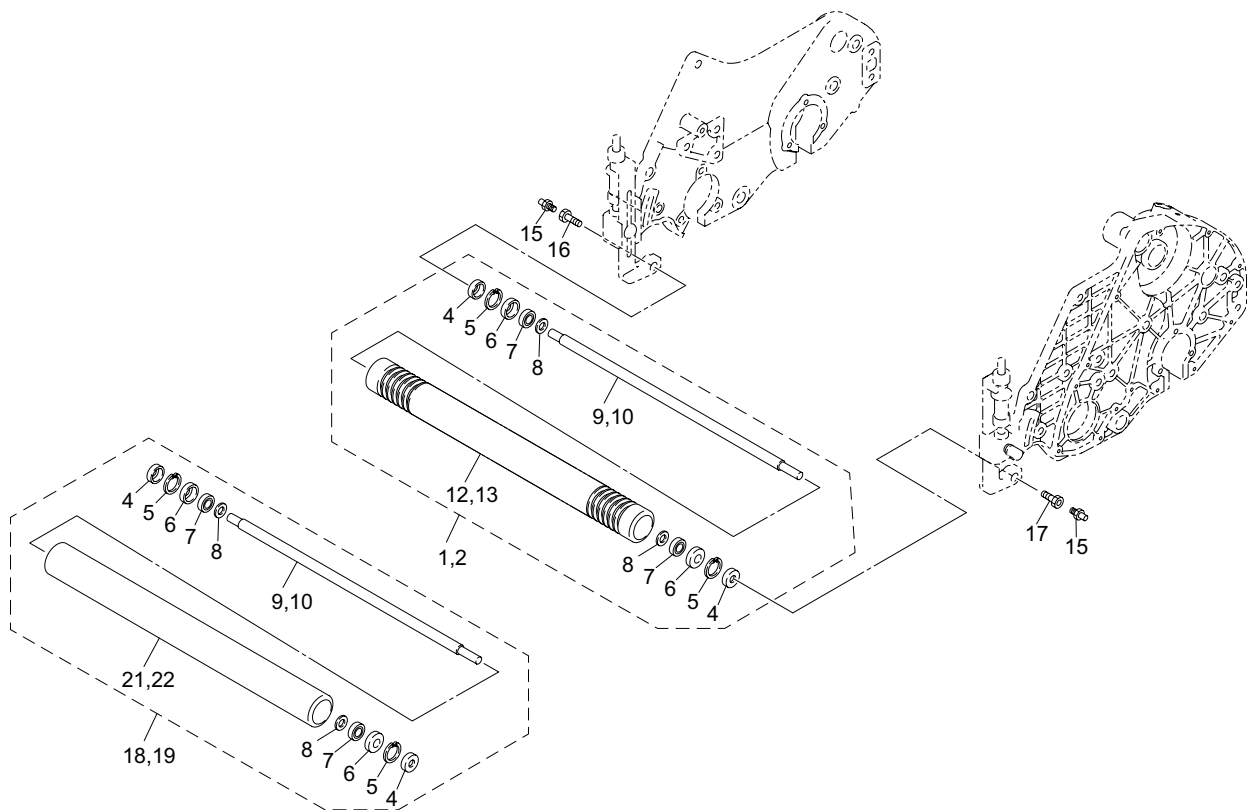
LM56GC_03_z00

Cat No.	Code No.	Part name	Qty			Remark	SN of application
			LM18	LM56	LM66		
3 - 1	K0144060002	NUT, W/F-RING M6	2	2	2		
3 - 2	K1000000309	SPRING, COMPRESSION M1.6-13.7-20	2	2	2		
3 - 3	K5011606202	WASHER, SPCC 1.6-6-20	4	4	4		
3 - 4	K5000080002	WASHER, M8	2	2	2		
3 - 5	K0200080002	WASHER, SPRING M8	2	2	2		
3 - 6	K0000080152	BOLT, M8-15	2	2	2		
3 - 7	LM56GB-0521ZR	CLAMPER, REEL COVER	0	1	0		
3 - 8	LM66GB-0521ZR	CLAMPER, REEL COVER	0	0	1		
3 - 9	LM18GB-0521ZR	CLAMPER, REEL COVER	1	0	0		
3 - 10	K0200060002	WASHER, SPRING M6	3	3	3		
3 - 11	K0000060102	BOLT, M6-10	3	3	3		
3 - 12	LM56GA-0502ZR	COVER, REEL	0	1	0		
3 - 13	LM66GA-0502ZR	COVER, REEL	0	0	1		
3 - 14	LM18G-0502ZR	COVER, REEL	1	0	0		
3 - 15	LM56GA-0510A2	PLATE, RECTIFICATION 560	0	1	0		
3 - 16	LM66GA-0510A2	PLATE, RECTIFICATION 650	0	0	1		
3 - 17	LM18G-0510A2	PLATE, RECTIFICATION 460	1	0	0		



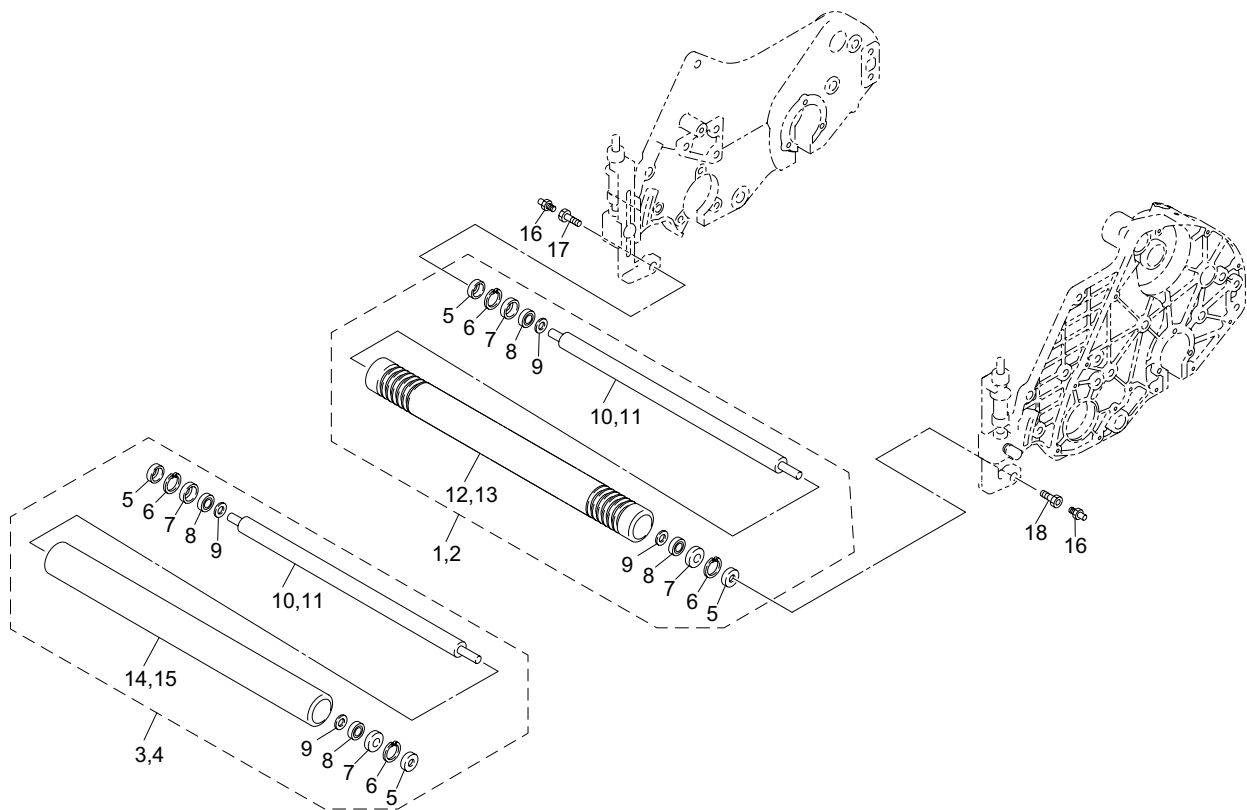
LM56GC_A4_b00

Cat No.	Code No.	Part name	Qty			Remark	SN of application
			LM18	LM56	LM66		
A4b- 1							
A4b- 2	LM66G--0403Z0	ROLLER ASSY, GROOVED (LM66)	0	0	1		
A4 - 3	LM18G--0403Z0	ROLLER ASSY, GROOVED 32	1	0	0		
A4b- 4	K0861000020	OIL SEAL, TA1542.38	2	0	2		
A4b- 5	K0402042001	RING, RETAINING R M42	2	0	2		
A4b- 6	K0861000030	OIL SEAL, 6202	2	0	2		
A4b- 7	K0616062020	BEARING, BALL SEAL 2NSEC3 6202	2	0	2		
A4b- 8	K5051015280	WASHER, C5191P 1-15-28	2	0	2		
A4b- 9							
A4 - 10	K6131000132	SHAFT, TAPPED ROLLER 685	0	0	1		
A4 - 11	LM18G--0402A2	SHAFT, TAPPED ROLLER 496	1	0	0		
A4b- 12							
A4 - 13	LM66G--0402ZD	ROLLER, GROOVED 46 (LM66)	0	0	1		
A4 - 14	LM18G--0401ZD	ROLLER, GROOVED 32	1	0	0		
A4b- 15	K1440000010	GREASE NIPPLE, STRAIGHT TYPE A	2	0	2		
A4b- 16	K6083000042	PIN, STEPPED M15-19	1	0	1		
A4b- 17							
A4b- 18							
A4 - 19	K8021000020	ROLLER ASSY, FRONT 666	0	0	1		
A4a- 20	LM18GB-2905Z0	ROLLER ASSY, SMOOTH	1	0	0		
A4 - 21	K740000006D	ROLLER, SMOOTH 60-666	0	0	1		
A4a- 22	LM18G--2912ZD	ROLLER, SMOOTH	1	0	0		



LM56GC_B4_z00

Cat No.	Code No.	Part name	Qty			Remark	SN of application
			LM18	LM56	LM66		
B4b- 1	LM56G--8201Z0	ROLLER ASSY, GROOVED LM56	0	1	0		
B4b- 2	LM66G--8201Z0	ROLLER ASSY, GROOVED (LM66)	0	0	1		
B4 - 3							
B4 - 4	K0861000020	OIL SEAL, TA1542.38	0	2	2		
B4 - 5	K0402042001	RING, RETAINING R M42	0	2	2		
B4 - 6	K0861000030	OIL SEAL, 6202	0	2	2		
B4 - 7	K0616062020	BEARING, BALL SEAL 2NSEC3 6202	0	2	2		
B4 - 8	K5051015280	WASHER, C5191P 1-15-28	0	2	2		
B4 - 9	K6131000010	SHAFT, TAPPED FRONT ROLLER 596	0	1	0		
B4 - 10	K6131000020	SHAFT, TAPPED FRONT ROLLER 685	0	0	1		
B4 - 11							
B4 - 12	LM56G--0402ZD	ROLLER, GROOVED 39 (LM56)	0	1	0		
B4 - 13	LM66G--0402ZD	ROLLER, GROOVED 46 (LM66)	0	0	1		
B4 - 14							
B4 - 15	K1440000010	GREASE NIPPLE, STRAIGHT TYPE A	0	2	2		
B4 - 16	K6083000042	PIN, STEPPED M15-19	0	1	1		
B4b- 17	K0071000152	BOLT, LEFT-HANDED THREAD	0	1	0		
B4b- 18	LM56G--8502Z0	ROLLER ASSY, SMOOTH 577	0	1	0		
B4b- 19	LM66G--8502Z0	ROLLER ASSY, SMOOTH 666	0	0	1		
B4 - 20							
B4 - 21	K740000012D	ROLLER, SMOOTH 60-577	0	1	0		
B4 - 22	K740000006D	ROLLER, SMOOTH 60-666	0	0	1		
B4 - 23							

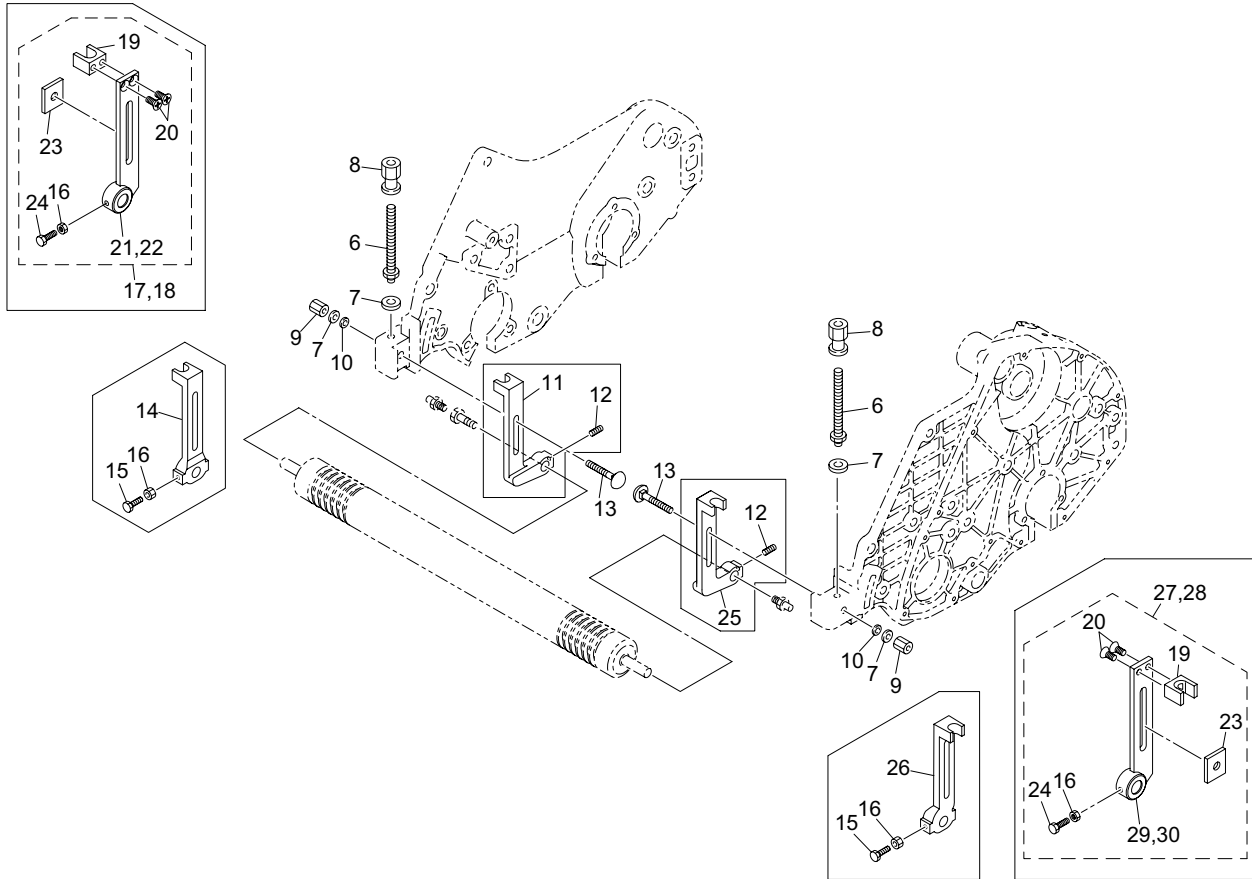


LM56GC_C4_z00

Cat No.	Code No.	Part name	Qty			Remark	SN of application
			LM18	LM56	LM66		
C4b- 1	LM56G--6812Z0	ROLLER ASSY, GROOVED (WEIGHTED)	0	1	0	option, for IGCA	
C4b- 2	LM18G--2905Z0	ROLLER ASSY, GROOVED (WEIGHTED)	1	0	0	option, for IGCA	
C4b- 3	LM56GA-2910Z0	ROLLER ASSY, SMOOTH (WEIGHTED)	0	1	0	option, for IGCA	
C4b- 4	LM18G--2911Z0	ROLLER ASSY, SMOOTH (WEIGHTED)	1	0	0	option, for IGCA	
C4 - 5	K0861000020	OIL SEAL, TA1542.38	2	2	0		
C4 - 6	K0402042001	RING, RETAINING R M42	2	2	0		
C4 - 7	K0861000030	OIL SEAL, 6202	2	2	0		
C4 - 8	K0616062020	BEARING, BALL SEAL 2NSEC3 6202	2	2	0		
C4 - 9	K5051015280	WASHER, C5191P 1-15-28	2	2	0		
C4 - 10	LM56G--6807B2	SHAFT, FRONT ROLLER (WEIGHTED) LM56	0	1	0		
C4 - 11	LM18G--6802B2	SHAFT, FRONT ROLLER (WEIGHTED) LM18G	1	0	0		
C4 - 12	LM56G--0402ZD	ROLLER, GROOVED 39 (LM56)	0	1	0		
C4 - 13	LM18G--0401ZD	ROLLER, GROOVED 32	1	0	0		
C4 - 14	K740000012D	ROLLER, SMOOTH 60-577	0	1	0		
C4 - 15	LM18G--2912ZD	ROLLER, SMOOTH	1	0	0		
C4 - 16	K1440000010	GREASE NIPPLE, STRAIGHT TYPE A	2	2	0		
C4 - 17	K6083000042	PIN, STEPPED M15-19	1	1	0		
C4b- 18	K0071000152	BOLT, LEFT-HANDED THREAD	1	1	0		

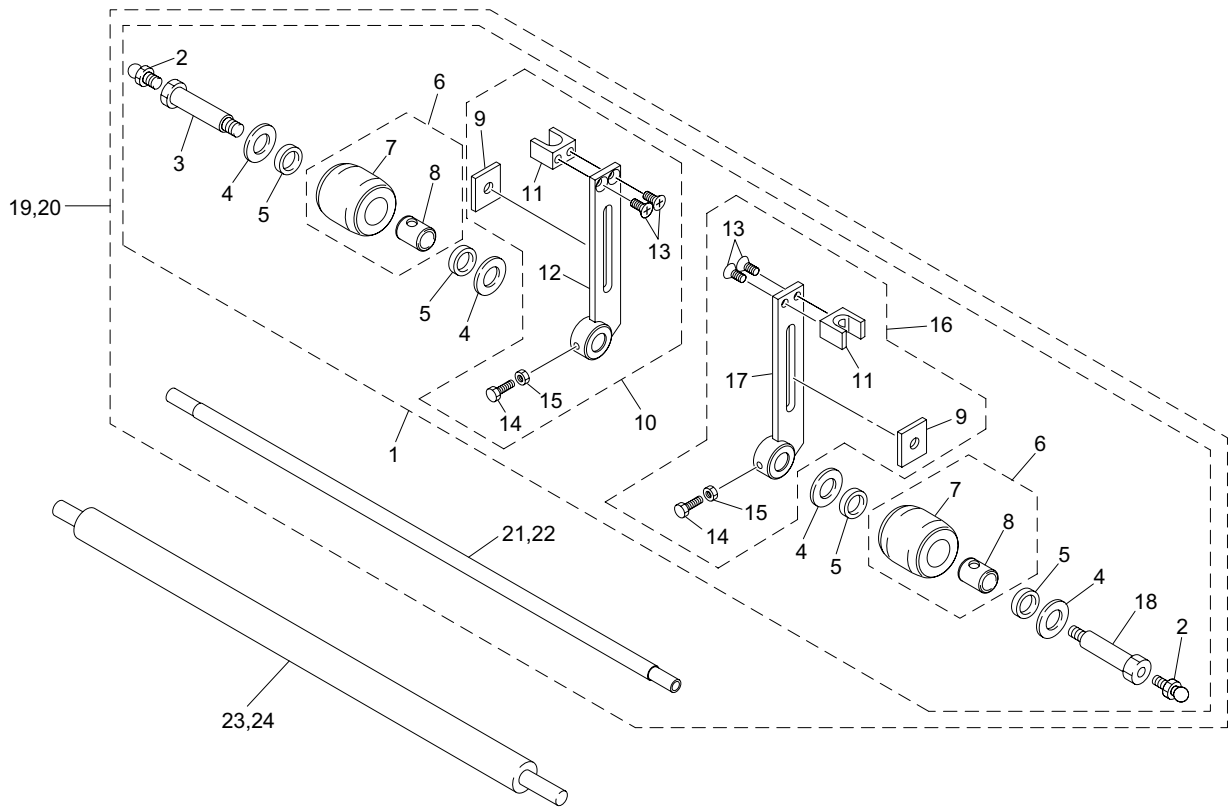
A5. Front roller section D

LM18GC•LM56GC•LM66TC



LM56GC_A5_a00

Cat No.	Code No.	Part name	Qty			Remark	SN of application
			LM18	LM56	LM66		
A5a- 1							
A5a- 2							
A5a- 3							
A5a- 4							
A5a- 5							
A5 - 6	LM56GA-0402A0	SCREW, ADJUSTING CUTTING HEIGHT	2	2	2		
A5 - 7	K0213080002	WASHER, DISK SPRING 1H M8	4	4	4		
A5 - 8	K6084000162	ADJUSTER FOR ROLLER (IGCA)	0	0	2	Tee Mower	
A5 - 9	K0149083202	NUT, HIGH M8-13-20	2	2	2		
A5 - 10	K5000080002	WASHER, M8	2	2	2		
A5 - 11	K690400009D	BRACKET, ROLLER W/O GROOMER (RH)	1	1	1	No Groomer	
A5 - 12	K0028060100	SETSCREW, SUS M6-10	2	2	2		
A5 - 13	K0071001162	BOLT, LARGE HEAD SQUARE ROOT M8-55	2	2	2		
A5 - 14	K6904000110	BRACKET, ROLLER (RH)	1	1	1	With Groomer	
A5 - 15	K0000060252	BOLT, M6-25	2	2	2		
A5 - 16	K0100060002	NUT, M6	2	2	2		
A5 - 17	LM66G--2802Z0	BRACKET COMP, FRONT ROLLER RIGHT	0	0	1	Height Cutting	
A5 - 18	LM56GC-2905Z0	BRACKET COMP, ROLLER (RH)	1	1	1	Smooth Roller	
A5 - 19	K6090000592	BRACKET, CUTITNG HEIGHT ADJUSTER	2	2	2		
A5 - 20	K0041060152	SCREW, + FLAT HEAD M6-15	4	4	4		
A5 - 21	LM66G--2804Z2	BRACKET, FRONT ROLLER (RH)	0	0	1	Height Cutting	
A5 - 22	LM56GC-2907Z2	BRACKET, ROLLER 15 (RH)	1	1	1	Smooth Roller	
A5 - 23	K5141000602	PLATE, SPACER 4.5-27-32	1	1	1		
A5 - 24	K0000060202	BOLT, M6-20	2	2	2		
A5 - 25	K690400008D	BRACKET, ROLLER W/O GROOMER (LH)	1	1	1	No Groomer	
A5 - 26	K6904000100	BRACKET, ROLLER (LH)	1	1	1	With Groomer	
A5 - 27	LM66G--2801Z0	BRACKET COMP, FRONT ROLLER LEFT	0	0	1	Height Cutting	
A5 - 28	LM56GC-2904Z0	BRACKET COMP, ROLLER (LH)	1	1	1	Smooth Roller	
A5 - 29	LM66G--2803Z2	BRACKET, FRONT ROLLER(LH)	0	0	1	Height Cutting	
A5 - 30	LM56GC-2906Z2	BRACKET, ROLLER 15 (LH)	1	1	1	Smooth Roller	

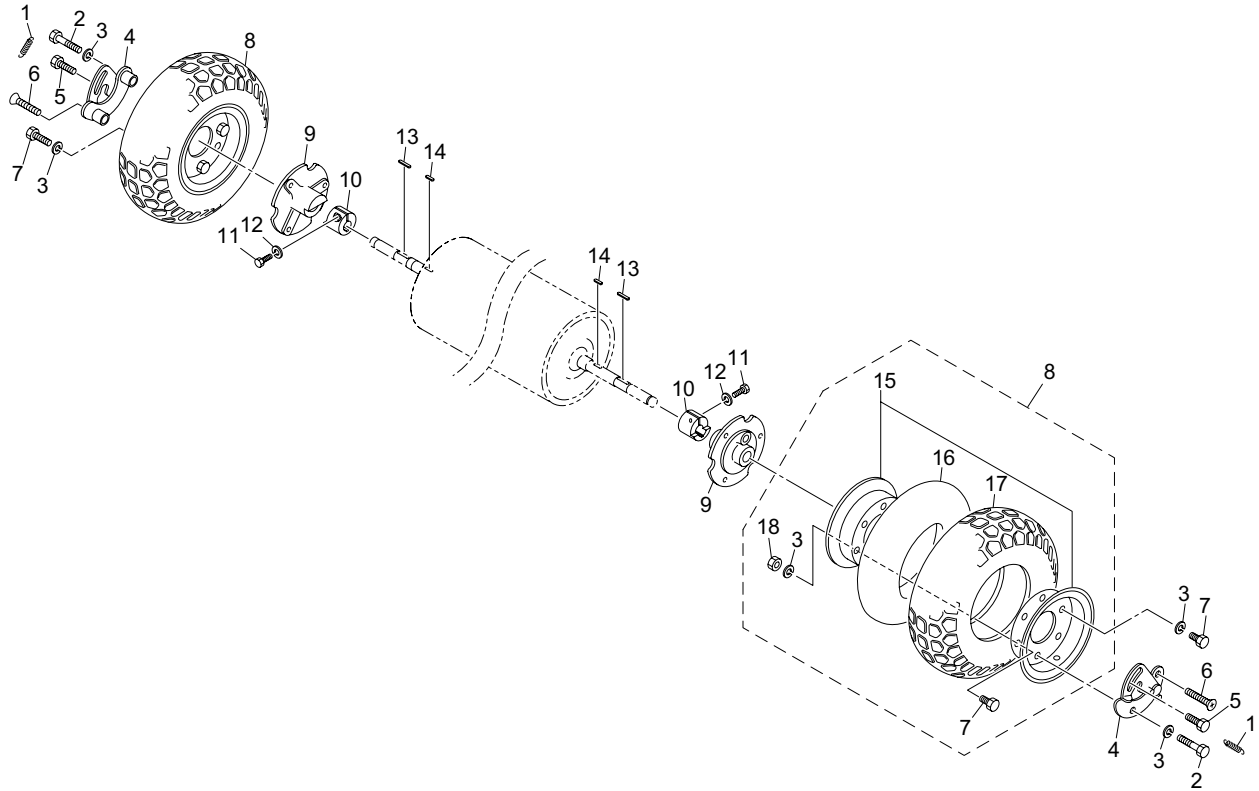


LM56GC_B5_z00

Cat No.	Code No.	Part name	Qty			Remark	SN of application
			LM18	LM56	LM66		
B5 - 1	LM56G--8301A0	ROLLER KIT, SUPPORT LM56	1	1	1	option	
B5 - 2	K1440000010	GREASE NIPPLE, STRAIGHT TYPE A	2	2	2		
B5 - 3	LM56G--8305Z0	SHAFT, SUPPORT ROLLER (RH)	1	1	1		
B5 - 4	K5051015350	WASHER, C5191P 1-15-35	4	4	4		
B5 - 5	K0801525040	OIL SEAL, MH15254	4	4	4		
B5 - 6	LM56G--8302A0	ROLLER COMP, SUPPORT LM56	2	2	2		
B5 - 7	LM56G--8303A0	ROLLER, SUPPORT LM56	2	2	2		
B5 - 8	K6000000150	BUSH, W/HOLE 15-20-29	2	2	2		
B5 - 9	K5141000602	PLATE, SPACER 4.5-27-32	2	2	2		
B5 - 10	LM56G--8309Z0	BRACKET COMP, ROLLER 18 (RH)	1	1	1		
B5 - 11	K6090000592	BRACKET, CUTITNG HEIGHT ADJUSTER	2	2	2		
B5 - 12	LM56G--8307Z2	BRACKET, ROLLER 18 (RH)	1	1	1		
B5 - 13	K0041060152	SCREW, + FLAT HEAD M6-15	4	4	4		
B5 - 14	K0000060202	BOLT, M6-20	2	2	2		
B5 - 15	K0100060002	NUT, M6	2	2	2		
B5 - 16	LM56G--8308Z0	BRACKET COMP, ROLLER 18 (LH)	1	1	1		
B5 - 17	LM56G--8306Z2	BRACKET, ROLLER 18 (LH)	1	1	1		
B5 - 18	LM56G--8304Z0	SHAFT, SUPPORT ROLLER (LH)	1	1	1		
B5 - 19	LM56GC-3010Z0	ROLLER COMP, SUPPORT 56	0	1	0	option	
B5 - 20	LM66GC-3001Z0	ROLLER COMP, SUPPORT 66	0	0	1	option	
B5 - 21	K6131000010	SHAFT, TAPPED FRONT ROLLER 596	0	1	0		
B5 - 22	K6131000020	SHAFT, TAPPED FRONT ROLLER 685	0	0	1		
B5 - 23	LM56G--6807B2	SHAFT, FRONT ROLLER (WEIGHTED) LM56	0	1	0	option	
B5 - 24	LM18G--6802B2	SHAFT, FRONT ROLLER (WEIGHTED) LM18G	1	0	0	option	

6. Drum wheel section A (Tire)

LM18GC•LM56GC•LM66TC

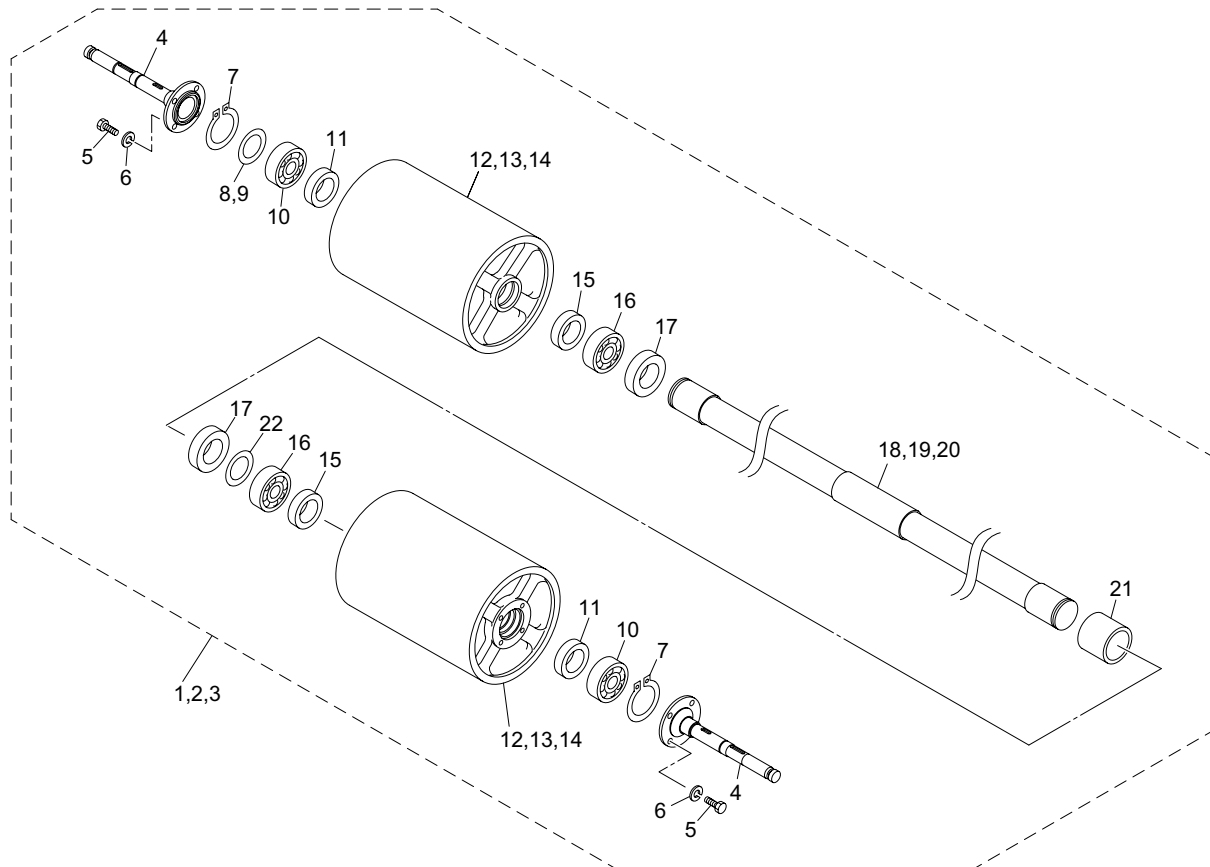


LM56GC_06_z00

Cat No.	Code No.	Part name	Qty			Remark	SN of application
			LM18	LM56	LM66		
6 - 1	K1030000068	SPRING, W/U HOOK M1.5-8.5-35.5	2	2	2		
6 - 2	K0000080402	BOLT, M8-40	2	2	2		
6 - 3	K0200080002	WASHER, SPRING M8	10	10	10		
6 - 4	LM55GB-0242C2	PLATE, CLAMPING WHEEL	2	2	2		
6 - 5	K6082000023	BOLT, STEPPED M8-10	2	2	2		
6 - 6	K0041080352	SCREW, + FLAT HEAD M8-35	2	2	2		
6 - 7	K0000080152	BOLT, M8-15	8	8	8		
6 - 8	K2020000050	TIRE ASSY, 4.10/3.50-6	2	2	2		
6 - 9	LM55GD-0239AD	MOUNT, WHEEL	2	2	2		
6 - 10	LM56G-0207Z2	FITTING, DRIVING WHEEL	2	2	2		
6 - 11	K001A080251	BOLT, 13T W/HEX HOLE M8-25	2	2	2		
6 - 12	K0200080002	WASHER, SPRING M8	2	2	2		
6 - 13	K0500505280	KEY, BOTH ROUND M5-528	2	2	2		
6 - 14	K0500505160	KEY, BOTH ROUND M5-516	2	2	2		
6 - 15	K2080000040	WHEEL COMP, 3SP-6	2	2	2		
6 - 16	K2091000220	TUBE, 4.10/3.50-6	2	2	2		
6 - 17	K2021000030	TIRE, 4.10/3.50-6	2	2	2		
6 - 18	K0100080002	NUT, M8	6	6	6		

7. Drum wheel section B (Drum)

LM18GC•LM56GC•LM66TC

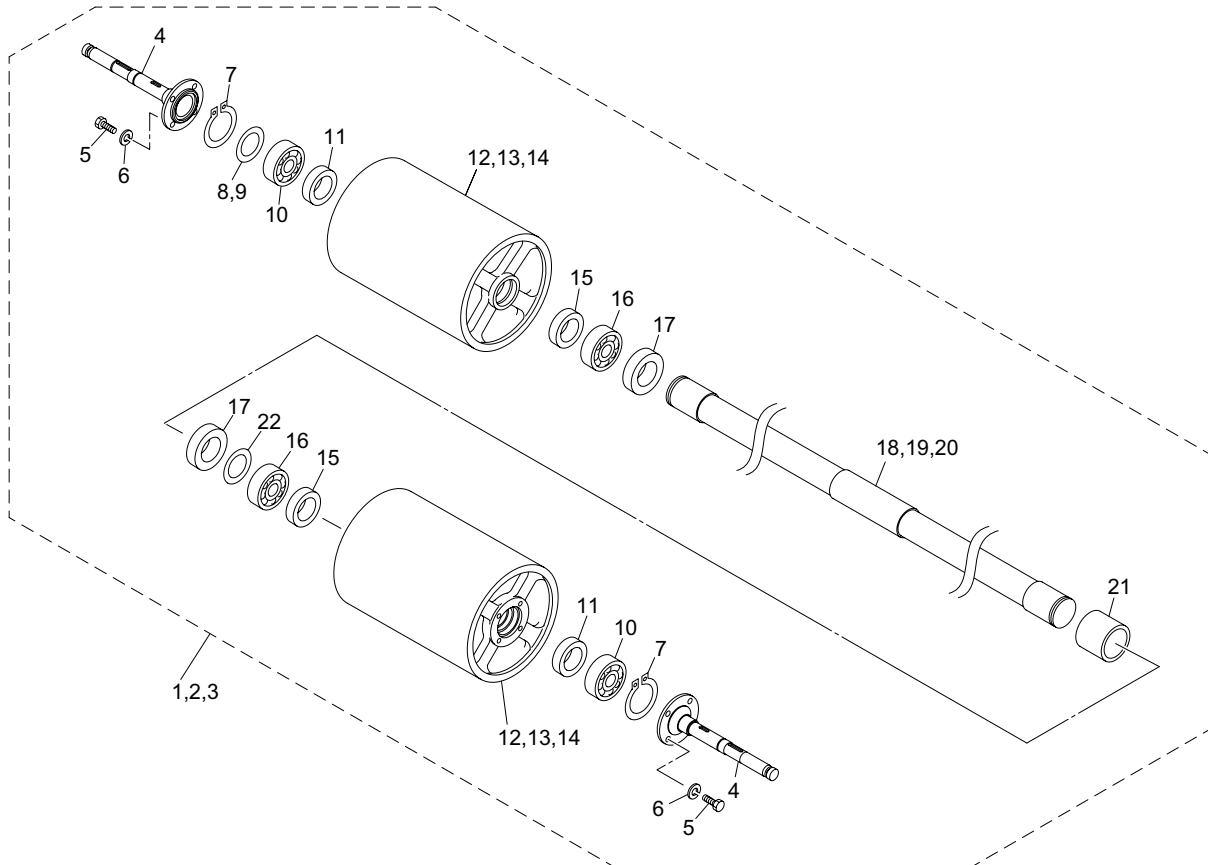


LM56GC_07_b01

Cat No.	Code No.	Part name	Qty			Remark	SN of application
			LM18	LM56	LM66		
7 - 1	LM56GC-0201Z0	DRUM & SHAFT ASSY, LM56	0	1	0	Dimple	
7b- 1	LM56GC-2701Z0	DRUM & SHAFT ASSY, ND	0	1	0	Smooth, Small diameter	
7 - 2	LM66GC-0201Z0	DRUM & SHAFT ASSY, LM66	0	0	1	Dimple	
7b- 2	LM66GB-0201Z0	DRUM & SHAFT ASSY, ND LM66	0	0	1	Smooth	-35653
7c- 2	LM66GC-2701Z0	DRUM & SHAFT ASSY	0	0	1	Smooth, Small diameter	35654-
7d- 2	LM66TC-2701Z0	DRUM & SHAFT ASSY	0	0	1	Dimple, Small diameter	
7 - 3	LM18G--0210Z0	DRUM & SHAFT ASSY, LM18	1	0	0	Dimple	
7b- 3	LM18GC-2701Z0	DRUM & SHAFT ASSY, ND	1	0	0	Smooth, Small diameter	
7 - 4	LM56G--0202Z2	SHAFT, DRUM (OUTER)	2	2	2		
7 - 5	K0000080252	BOLT, M8-25	8	8	8		
7 - 6	K0200080002	WASHER, SPRING M8	8	8	8		
7 - 7	K0401020001	RING, RETAINING S M20	2	2	2		
7 - 8	K5010320282	WASHER, SPCC 0.3-20-28	2	2	2	for adjustment	
7 - 9	K5011020282	WASHER, SPCC 1-20-28	1	1	1	for adjustment	
7 - 10	K0613062040	BEARING, BALL SEAL 2RDC3 6204	2	2	2		
7 - 11	K0812040070	OIL SEAL, MHS20407	2	2	2		
7 - 12	LM56GC-0202Z0	DRUM, LM56	0	2	0	Dimple	
7b- 12	LM56GC-2702Z0	DRUM, ND	0	2	0	Smooth, Small diameter	
7 - 13	LM66GC-0202Z0	DRUM, LM66	0	0	2	Dimple	
7b- 13	LM66GB-0202Z0	DRUM, ND LM66	0	0	2	Smooth	-35653
7c- 13	LM66GC-2702Z0	DRUM, ND	0	0	2	Smooth, Small diameter	35654-
7d- 13	LM66TC-2702Z0	DRUM	0	0	2	Dimple, Small diameter	
7 - 14	LM18G--0201Z0	DRUM, LM18	2	0	0	Dimple	
7c- 14	LM18GC-2702Z0	DRUM, ND	1	0	0	Smooth, Small diameter	
7 - 15	K0852540080	OIL SEAL, PJN25408	2	2	2		
7 - 16	K0608060050	BEARING, BALL SEAL 2RS 6005	2	2	2		
7 - 17	K0823047080	OIL SEAL, MHSA30478	2	2	2		
7 - 18	LM56G--0212Z2	SHAFT, INNER DRUM LM56	0	1	0		
7 - 19	LM66G--0212Z2	SHAFT, INNER DRUM LM66	0	0	1		
7 - 20	LM18G--0202Z2	SHAFT, INNER DRUM LM18	1	0	0		

7. Drum wheel section B (Drum)

LM18GC•LM56GC•LM66TC

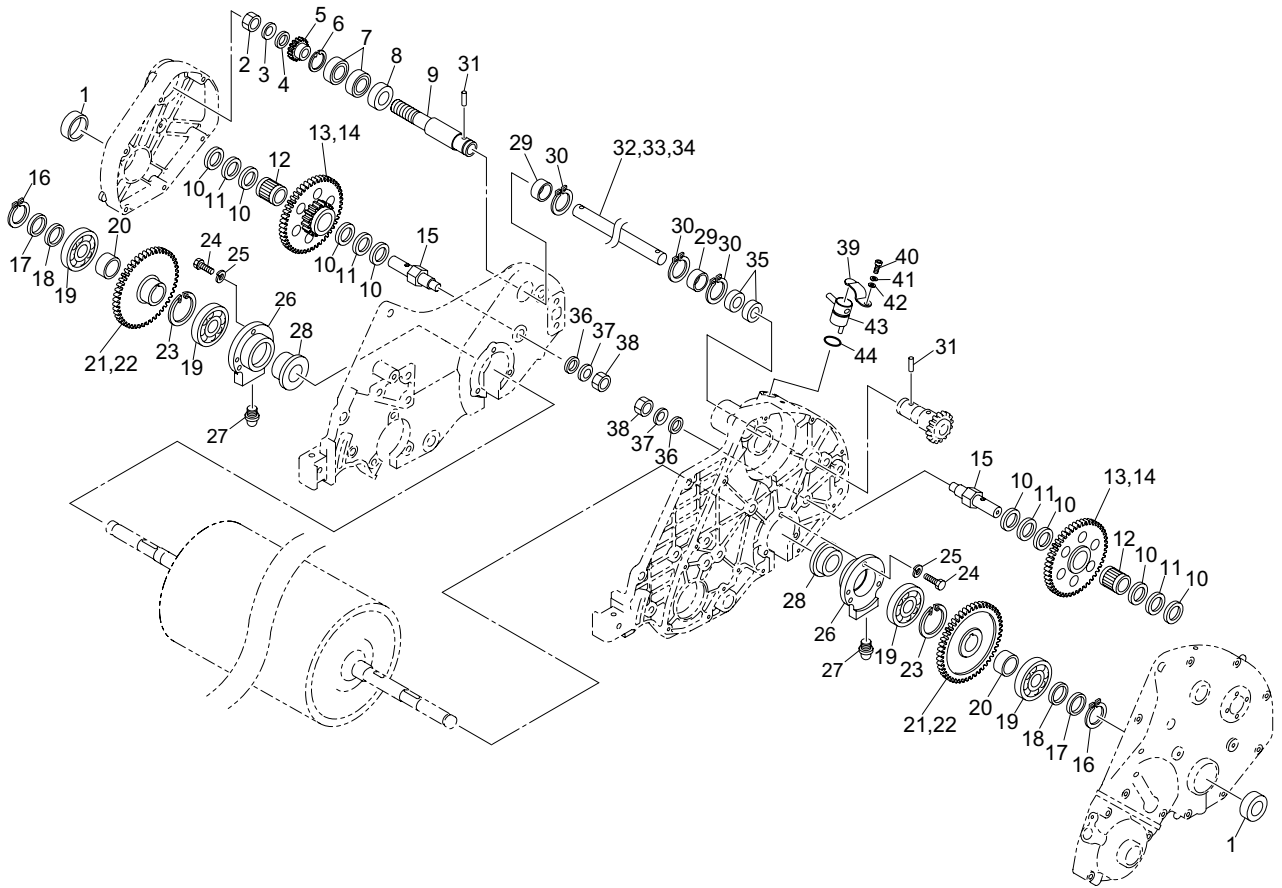


LM56GC_07_b01

Cat No.	Code No.	Part name	Qty			Remark	SN of application
			LM18	LM56	LM66		
7 - 21	K6212002592	COLLAR, STKM 25.1-30-21.5	1	1	1	for adjustment	
7 - 22	K5010525322	WASHER, SPCC 0.5-25-32	2	2	2		

9. Drum wheel section D

LM18GC•LM56GC•LM66TC

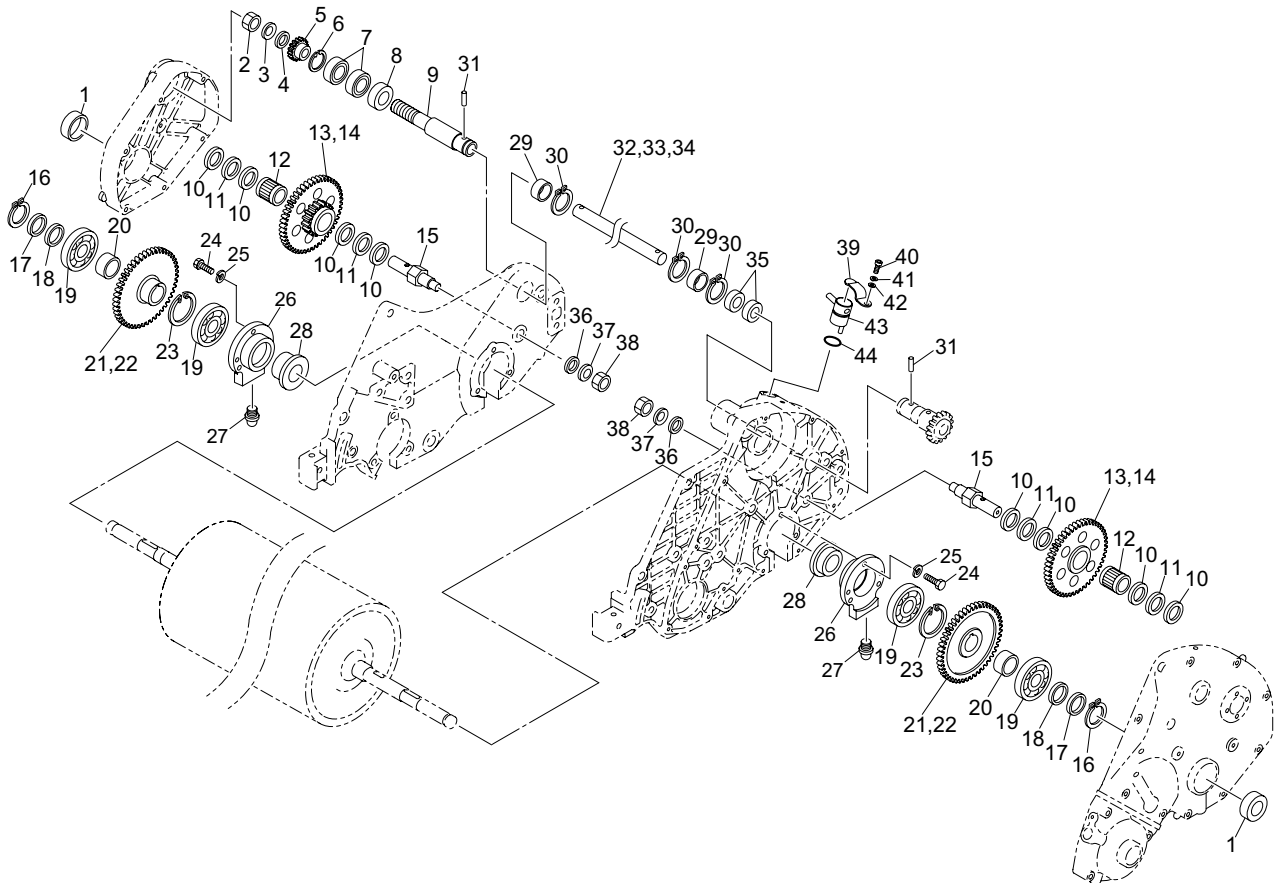


LM56GC_09_z00

Cat No.	Code No.	Part name	Qty			Remark	SN of application
			LM18	LM56	LM66		
9 - 1	K0822047060	OIL SEAL, MHA20476	2	2	2		
9 - 2	K0183140002	NUT, LEFT-HANDED P1.25 M14	1	1	1		
9 - 3	K0210140002	SPRING, CONICAL DISC L M14	1	1	1		
9 - 4	K5000140002	WASHER, M14	1	1	1		
9 - 5	K6188000010	GEAR, 18-TEETH W/M2 SCREW	1	1	1		
9 - 6	K0402035001	RING, RETAINING R M35	1	1	1		
9 - 7	K0616062020	BEARING, BALL SEAL 2NSEC3 6202	2	2	2		
9 - 8	K0802030050	OIL SEAL, MH20305	1	1	1		
9 - 9	K6122000188	SHAFT, THREADED TRANSMISSION (RH)	1	1	1		
9 - 10	K5051013220	WASHER, C5191P 1-13-22	8	8	8		
9 - 11	K5020813220	WASHER, NBS55 0.8-13-22	4	4	4		
9 - 12	K0711317200	BEARING, NEEDLE KTW131720E01C3	2	2	2		
9 - 13	LM55GB-0219C0	GEAR, DOUBLE 46-/16-TEETH	2	2	2		
9 - 14	LM55TB-0219C0	GEAR, DOUBLE 46-/15-TEETH	0	0	2	Tee Mower	
9 - 15	LM56G-0204Z0	SHAFT, #4 DRUM SIDE	2	2	2		
9 - 16	K0401020001	RING, RETAINING S M20	2	2	2		
9 - 17	K5010320282	WASHER, SPCC 0.3-20-28	2	2	2		
9 - 18	K5011020282	WASHER, SPCC 1-20-28	2	2	2		
9 - 19	K0601062040	BEARING, BALL C3 6204	4	4	4		
9 - 20	K6212002610	COLLAR, STKM 20.2-25.4-11.2	2	2	2		
9 - 21	LM55GB-0221C0	GEAR, 46-TEETH FOR AXLE SHAFT	2	2	2		
9 - 22	LM55TB-0221C0	GEAR, 47-TEETH FOR AXLE SHAFT	0	0	2	Tee Mower	
9 - 23	K0402047001	RING, RETAINING R M47	2	2	2		
9 - 24	K0000080302	BOLT, M8-30	6	6	6		
9 - 25	K0200080002	WASHER, SPRING M8	6	6	6		
9 - 26	LM56GA-0615Z0	HOUSING, DRUM	2	2	2		
9 - 27	K1440000010	GREASE NIPPLE, STRAIGHT TYPE A	2	2	2		
9 - 28	K0830000020	OIL SEAL, 254210	2	2	2		
9 - 29	K6211000312	COLLAR, SGP 18.2-21.7-15	2	2	2		
9 - 30	K0403018001	RING, RETAINING ROUND S M15	3	3	3		

9. Drum wheel section D

LM18GC•LM56GC•LM66TC

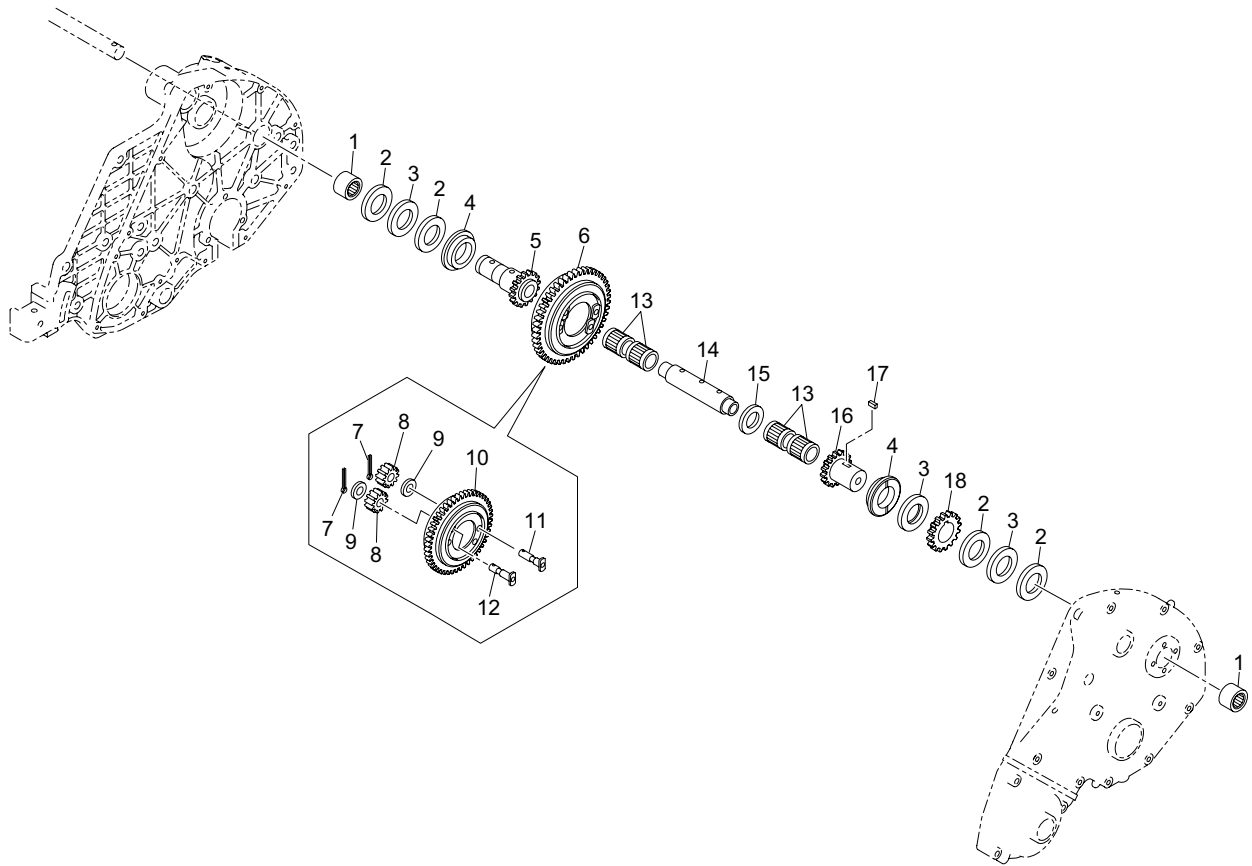


LM56GC_09_z00

Cat No.	Code No.	Part name	Qty			Remark	SN of application
			LM18	LM56	LM66		
9 - 31	K0311040170	ROLLER, NEEDLE N4*17.8 FW6-C3	2	2	2		
9 - 32	LM56G-0205Z8	SHAFT, TRANSMISSION	0	1	0		
9 - 33	LM66G-0205Z8	SHAFT, TRANSMISSION	0	0	1		
9 - 34	LM18G-0205Z8	SHAFT, TRANSMISSION	1	0	0		
9 - 35	K0870182640	OIL SEAL, OS 18264	2	2	2		
9 - 36	K5000100002	WASHER, M10	2	2	2		
9 - 37	K0211100001	SPRING, CONICAL DISC H M10	2	2	2		
9 - 38	K0160000282	NUT, P1 OH1 M10-3	2	2	2		
9 - 39	K1090000058	SPRING, CLUTCH RETAINER	1	1	1		
9 - 40	K0000060102	BOLT, M6-10	1	1	1		
9 - 41	K0200060002	WASHER, SPRING M6	1	1	1		
9 - 42	K5000060002	WASHER, M6	1	1	1		
9 - 43	LM56G-0206Z8	LEVER, CHANGEOVER CLUTCH	1	1	1		
9 - 44	K0880021000	O-RING, P21	1	1	1		

10. Drum wheel section E

LM18GC•LM56GC•LM66TC

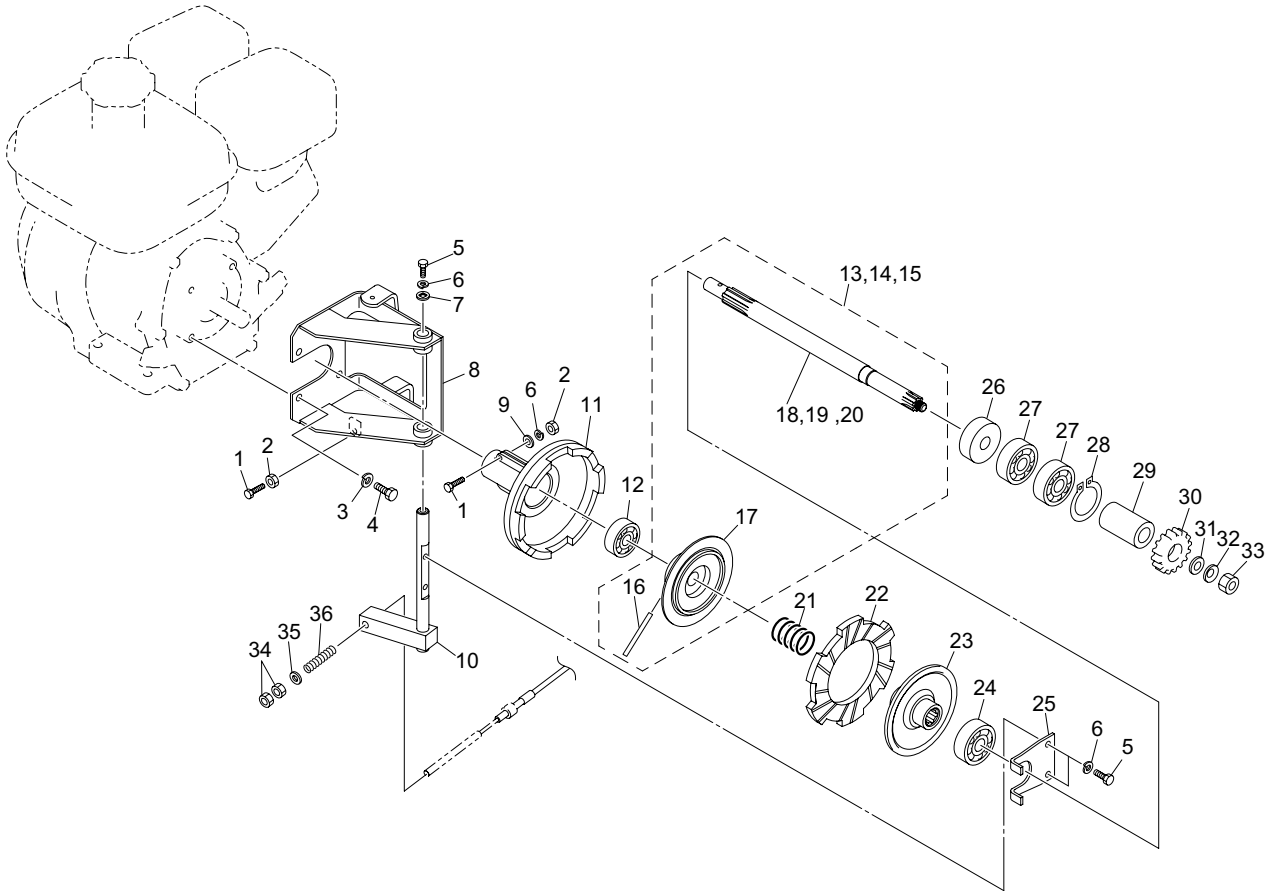


LM56GC_10_z00

Cat No.	Code No.	Part name	Qty			Remark	SN of application
			LM18	LM56	LM66		
10 - 1	K0722210000	BEARING, NEEDLE TAZ 2210	2	2	2		
10 - 2	K5051022300	WASHER, C5191P 1-22-30	4	4	4		
10 - 3	K5020822300	WASHER, NBS55 0.8-22-30	3	3	3		
10 - 4	K6202000140	RETAINER, DIFF GEAR	2	2	2		
10 - 5	LM55GB-0210A3	GEAR, DIFF 16-TEETH (RH)	1	1	1		
10 - 6	K8000000030	GEAR ASSY, DEFF 50-TEETH	1	1	1		
10 - 7	K0300025202	PIN, COTTER M2.5-20	4	4	4		
10 - 8	K6191000040	GEAR, DIFF PINION 12-TEETH	4	4	4		
10 - 9	K6211000180	COLLAR, SGP M7-10.5-7	4	4	4		
10 - 10	K7001000020	GEAR, DIFF 50-TEETH	1	1	1		
10 - 11	K6033000060	PIN, HT FOR DIFF GEAR M7.5	2	2	2		
10 - 12	K6033000070	PIN, HT FOR DIFF GEAR M15	2	2	2		
10 - 13	K0701013100	BEARING, NEEDLE KT101310EGB2	4	4	4		
10 - 14	K6150000150	PIN, FOR DIFF GEAR M10-55	1	1	1		
10 - 15	K5051010220	WASHER, C5191P 1-10-22	1	1	1		
10 - 16	LM55GB-0209C0	GEAR, DIFF 16-TEETH (LH)	1	1	1		
10 - 17	K0520504060	KEY, ROUND/SQUARE, M5-46.3	1	1	1		
10 - 18	LM55GB-0214A0	GEAR, 18-TEETH (LH)	1	1	1		

11. Clutch section A

LM18GC•LM56GC•LM66TC

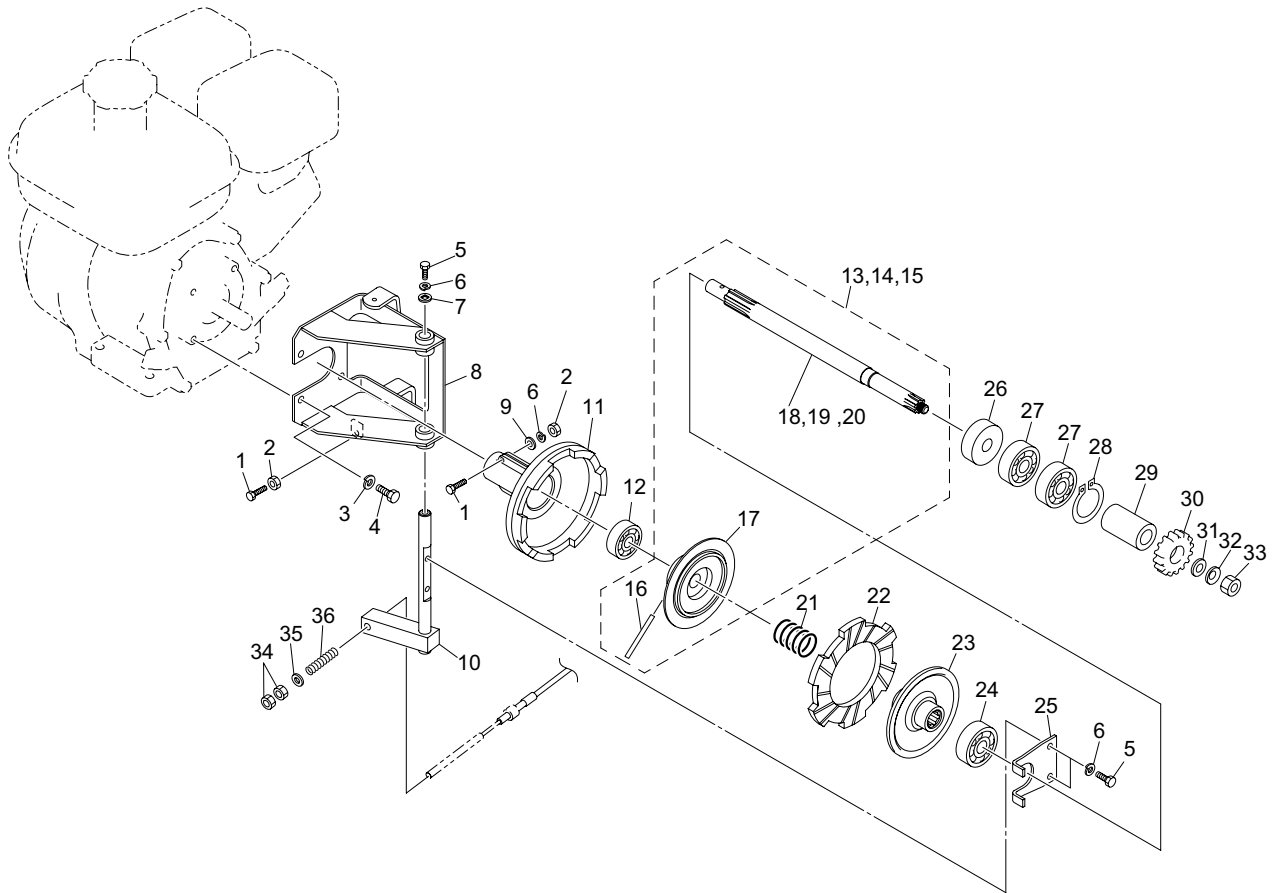


LM56GC_11_a00

Cat No.	Code No.	Part name	Qty			Remark	SN of application
			LM18	LM56	LM66		
11 - 1	K0000060302	BOLT, M6-30	2	2	2		
11 - 2	K0100060002	NUT, M6	2	2	2		
11 - 3	K0200080002	WASHER, SPRING M8	4	4	4		
11 - 4	K0000080152	BOLT, M8-15	4	4	4		
11 - 5	K0000060152	BOLT, M6-15	3	3	3		
11 - 6	K0200060002	WASHER, SPRING M6	4	4	4		
11 - 7	K5012306202	WASHER, SPCC 2.3-6-20	1	1	1		
11a- 8	LM56G--2201ZD	BOX, CLUTCH S	1	1	1		
11 - 9	K5000060002	WASHER, M6	1	1	1		
11a- 10	LM56G--2202Z2	LEVER, CLUTCH S	1	1	1		
11 - 11	K6911000050	CLUTCH, ENGINE	1	1	1		
11 - 12	K0616062020	BEARING, BALL SEAL 2NSEC3 6202	1	1	1		
11 - 13	LM56G--0305Z0	SHAFT ASSY, CLUTCH 56	0	1	0		
11 - 14	LM66G--0305Z0	SHAFT ASSY, CLUTCH 66	0	0	1		
11 - 15	LM18G--0305Z0	CLUTCH SHAFT ASSY, LM18	1	0	0		
11 - 16	K0310050402	PIN, TAPERED M5-40	1	1	1		
11 - 17	K6911000043	HOLDER, CLUTCH FADING 15	1	1	1		
11 - 18	LM56G--0308Z2	SHAFT, CLUTCH 56	0	1	0		
11 - 19	LM66G--0308Z2	SHAFT, CLUTCH	0	0	1		
11 - 20	LM18G--0308Z2	SHAFT, CLUTCH LM18	1	0	0		
11 - 21	K1000000160	SPRING, COMPRESSION M3.5-34-15	1	1	1		
11 - 22	K1810000030	LINING, CLUTCH FADING	1	1	1		
11 - 23	K6911000092	PLATE, CLUTCH	1	1	1		
11 - 24	K0659000020	BEARING, RELEASE RCT 2850	1	1	1		
11a- 25	LM56G--2203Z2	PLATE, RETAINING S	1	1	1		
11 - 26	K0811930070	OIL SEAL, MHS19307	1	1	1		
11 - 27	K0616062030	BEARING, BALL SEAL 2NSEC3 6203	2	2	2		
11 - 28	K0402040001	RING, RETAINING R M40	1	1	1		
11 - 29	K6212002600	COLLAR, STKM 17.1-22-37.3	1	1	1		
11 - 30	K6180000140	GEAR, SPLINED 16-TEETH	1	1	1		

11. Clutch section A

LM18GC•LM56GC•LM66TC

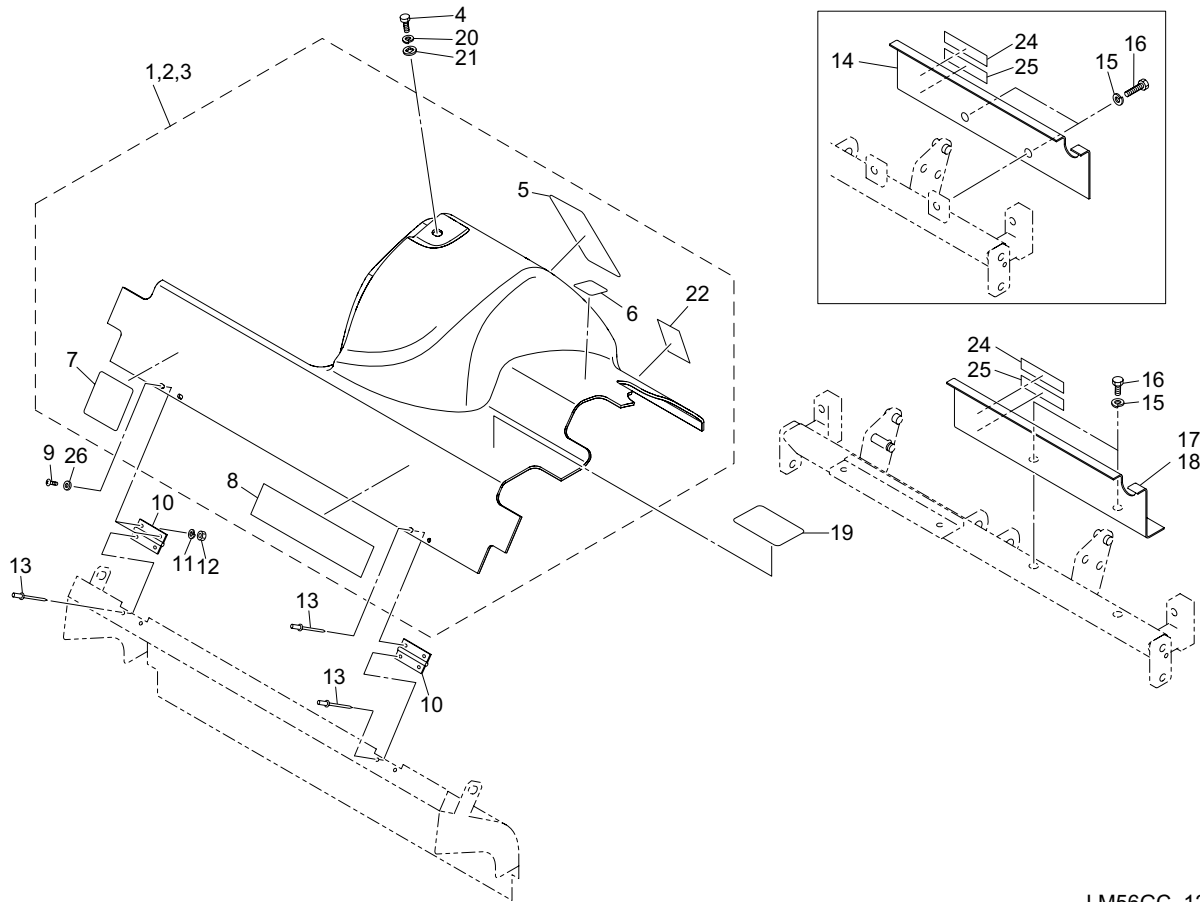


LM56GC_11_a00

Cat No.	Code No.	Part name	Qty			Remark	SN of application
			LM18	LM56	LM66		
11 - 31	K5000100002	WASHER, M10	1	1	1		
11 - 32	K0213100002	WASHER, DISK SPRING 1H M10	1	1	1		
11 - 33	K0160000282	NUT, P1 OH1 M10-3	1	1	1		
11a- 34	K0100080002	NUT, M8	2	2	2		
11a- 35	K5000080002	WASHER, M8	1	1	1		
11a- 36	K100000082D	SPRING, COMPRESSION M2.6-17.2-70	1	1	1		

12. Clutch section B

LM18GC•LM56GC•LM66TC

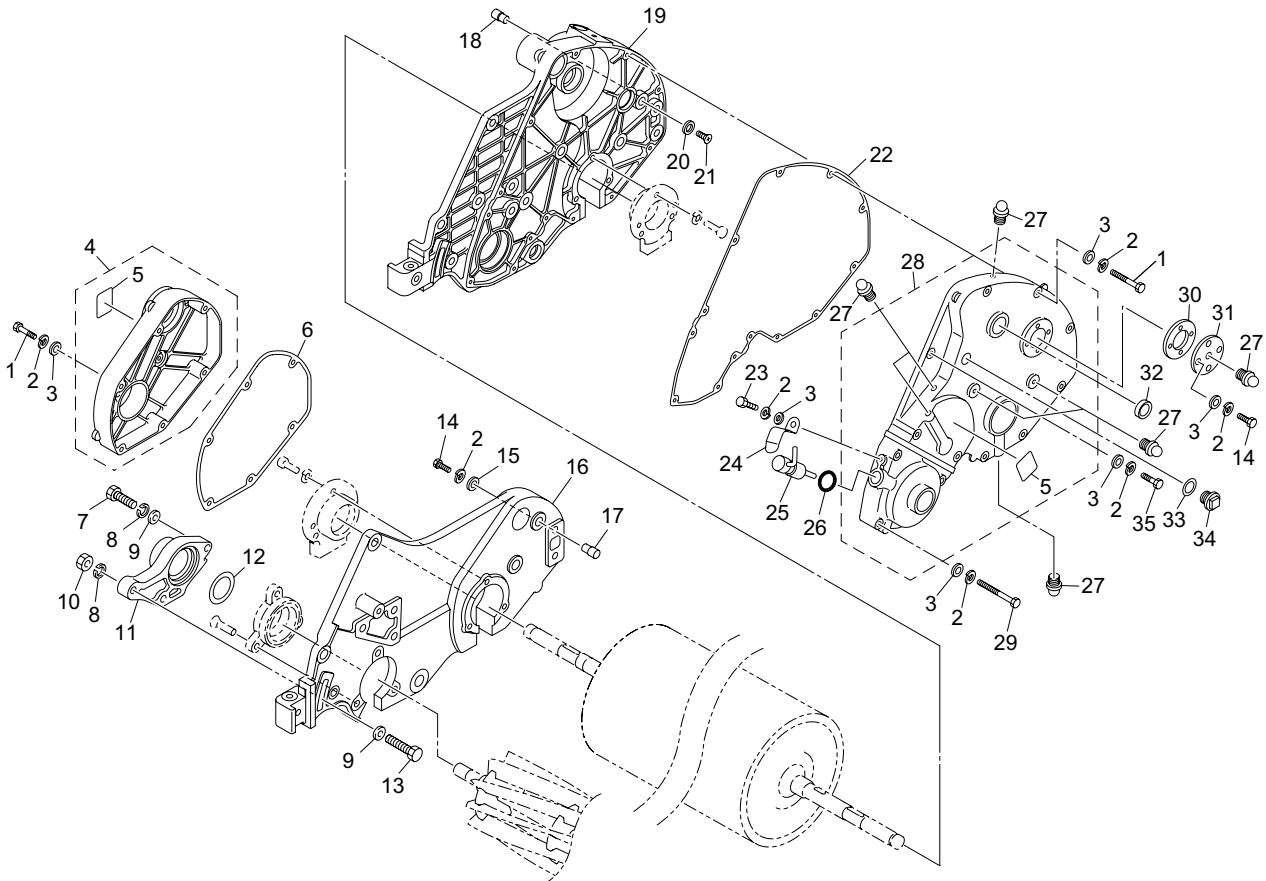


LM56GC_12_a02

Cat No.	Code No.	Part name	Qty			Remark	SN of application
			LM18	LM56	LM66		
12a- 1	LM56GC-2201A0	COVER, CLUTCH W/MARK A	0	1	0		
12a- 2	LM66GC-2201A0	COVER, CLUTCH W/MARK A	0	0	1		
12a- 3	LM18GC-2201A0	COVER, CLUTCH W/MARK A	1	0	0		
12a- 4	K0000060152	BOLT, M6-15	1	1	1		
12 - 5	K4205001590	DECAL, CAUTION SAFETY INSTRUCTION	1	1	1		
12a- 6	K4203001110	DECAL, CLUTCH	1	1	1		
12 - 7	K4205001600	DECAL, CAUTION CUTTING HANDS/FEET	1	1	1		
12 - 8	K4201000670	STICKER, BARONESS 130	1	1	1		
12 - 9	K0042040152	SCREW, + ROUND HEAD M4-15	2	2	2		
12 - 10	K4520000120	HINGE, W/HOLE 4.2-4035	2	2	2		
12 - 11	K0200040002	WASHER, SPRING M4	2	2	2		
12 - 12	K0144040002	NUT, W/F-RING, M4	2	2	2		
12 - 13	K4510615120	RIVET, BLIND AVEX 1661-0512	6	6	6		
12 - 14	LM66G--0311AR	RECEIVER, CLUTCH COVER	0	0	1		
12 - 15	K0200080002	WASHER, SPRING M8	2	2	2		
12 - 16	K0000080152	BOLT, M8-15	2	2	2		
12 - 17	LM56G--0307AR	RECEIVER, CLUTCH COVER	0	1	0		
12 - 18	LM18G--0307ZR	RECEIVER, CLUTCH COVER LM18	1	0	0		
12a- 19	K4203001320	DECAL, HIGH / LOW SELECTOR	1	1	1		
12a- 20	K0200060002	WASHER, SPRING M6	1	1	1		
12a- 21	K5012306202	WASHER, SPCC 2.3-6-20	1	1	1		
12a- 22	K4205001330	DECAL, CAUTION NOISE	1	1	1		
12 - 23							
12a- 24	K4205002190	LABEL, WARNING CA P65 FOR PUSH MOWER	1	1	1	For California, USA	
12a- 25	K4205002200	DECAL, WARNING SPARK ARRESTER	1	1	1	For California, USA	
12 - 26	K5000040002	WASHER, M4	2	2	2		

13. Frame section

LM18GC•LM56GC•LM66TC

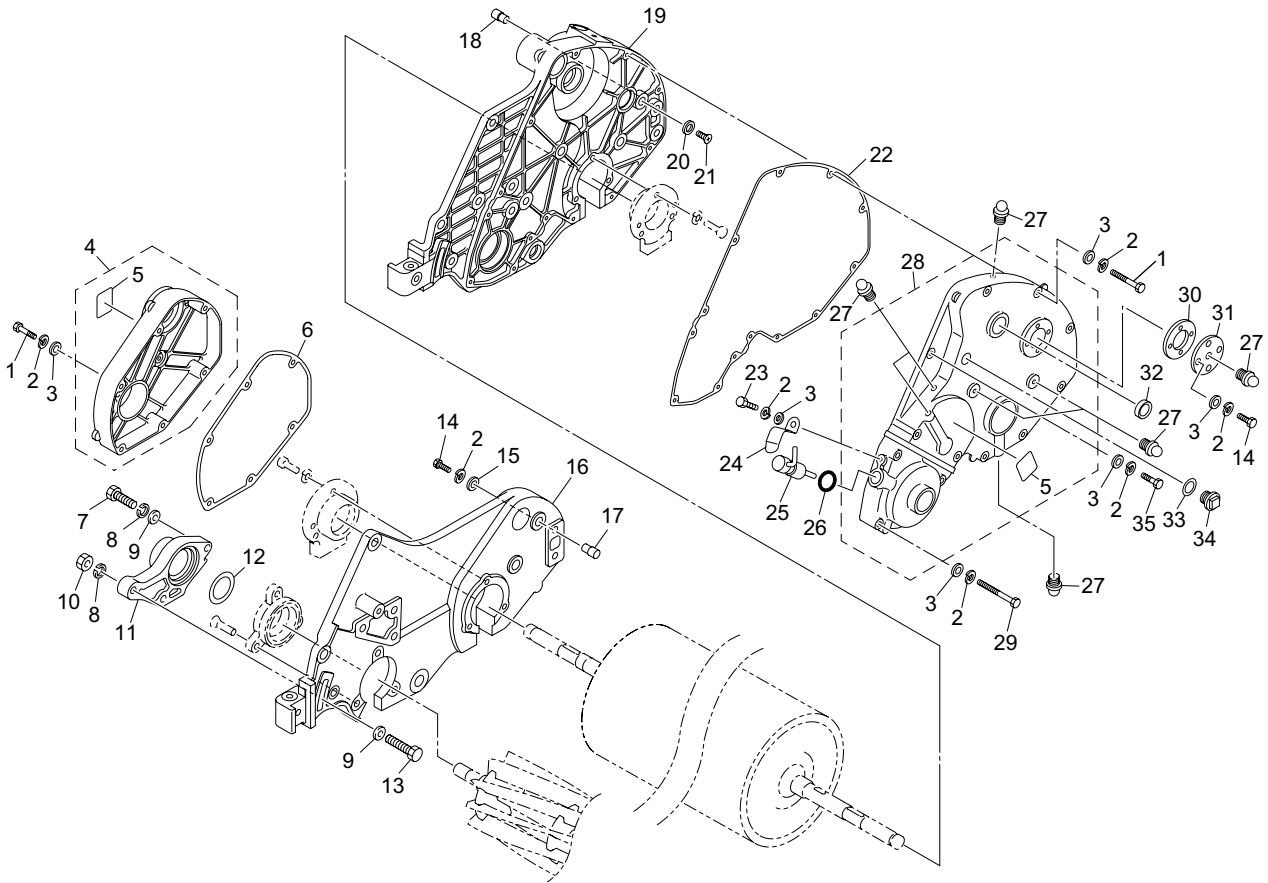


LM56GC_13_z00

Cat No.	Code No.	Part name	Qty			Remark	SN of application
			LM18	LM56	LM66		
13 - 1	K0000060452	BOLT, M6-45	12	12	12		
13 - 2	K0200060002	WASHER, SPRING M6	24	24	24		
13 - 3	K5000060002	WASHER, M6	24	24	24		
13 - 4	LM56GA-0622Z0	COVER, W/STICKER (RH)	1	1	1		
13 - 5	K4209000370	LABEL, GREASING EACH 10-HOURS	2	2	2		
13 - 6	LM56G--7702A0	PACKING, (RH)	1	1	1		
13 - 7	K0000080252	BOLT, M8-25	1	1	1		
13 - 8	K0200080002	WASHER, SPRING M8	2	2	2		
13 - 9	K5000080002	WASHER, M8	2	2	2		
13 - 10	K0100080002	NUT, M8	1	1	1		
13 - 11	K690200005D	COVER, REEL SHAFT	1	1	1		
13 - 12	K0882045000	O-RING, G45	1	1	1		
13 - 13	K0000080502	BOLT, M8-50	1	1	1		
13 - 14	K0000060152	BOLT, M6-15	5	5	5		
13 - 15	K5012306202	WASHER, SPCC 2.3-6-20	1	1	1		
13 - 16	LM56G--0602BR	FRAME, (RH)	1	1	1		
13 - 17	K6155000042	PIN, MOUNTING HANDLE (RH)	1	1	1		
13 - 18	K6155000152	PIN, MOUNTING HANDLE (LH)	1	1	1		
13 - 19	LM56G--0601CR	FRAME, (LH)	1	1	1		
13 - 20	LM55GB-0614Z3	WASHER, HANDLE PIN	1	1	1		
13 - 21	K0041060122	SCREW, + FLAT HEAD M6-12	1	1	1		
13 - 22	LM56G--7701B0	PACKING, (LH)	1	1	1		
13 - 23	K0000060102	BOLT, M6-10	1	1	1		
13 - 24	K1090000058	SPRING, CLUTCH RETAINER	1	1	1		
13 - 25	LM56G--6202ZC	LEVER, SWITCHING HIGH / LOW	1	1	1		
13 - 26	K0880018000	O-RING, P18	1	1	1		
13 - 27	K1440000010	GREASE NIPPLE, STRAIGHT TYPE A	7	7	7		
13 - 28	LM56GA-0621A0	COVER, W/STICKER (LH)	1	1	1		
13 - 29	K0000060602	BOLT, M6-60	6	6	6		
13 - 30	LM55GB-0208Z0	PACKING, #3 SHAFT	1	1	1		

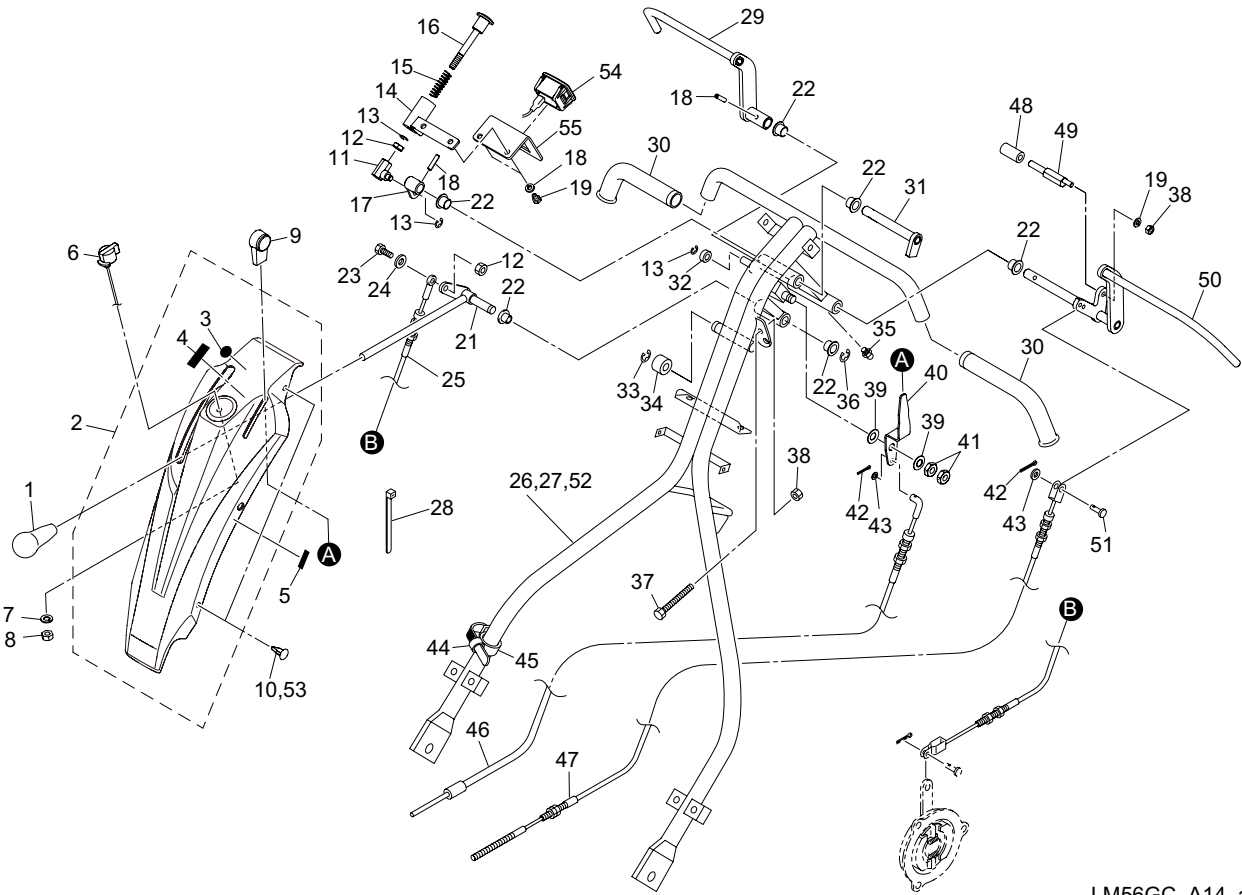
13. Frame section

LM18GC•LM56GC•LM66TC



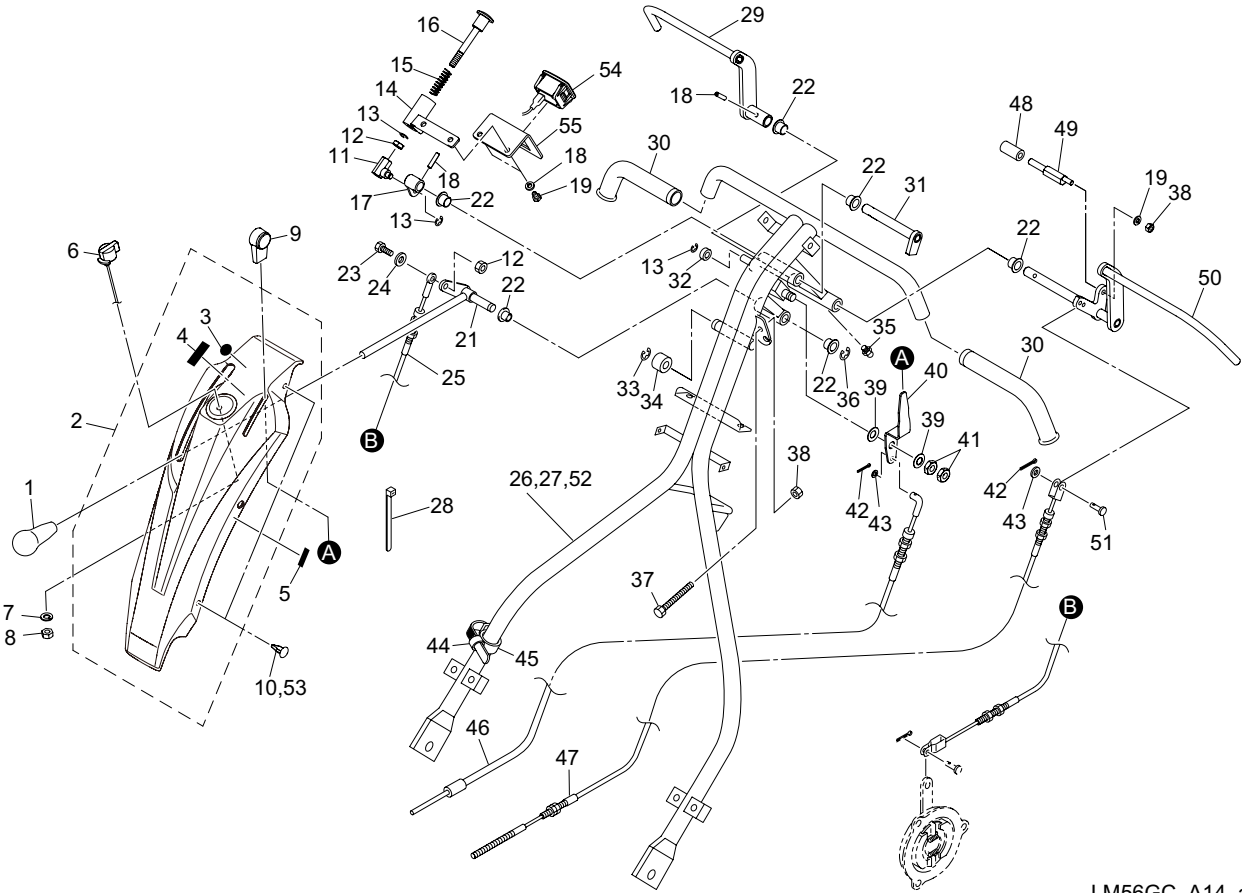
LM56GC_13_z00

Cat No.	Code No.	Part name	Qty			Remark	SN of application
			LM18	LM56	LM66		
13 - 31	LM55GB-0217Z0	RETAINER, BEARING	1	1	1		
13 - 32	K0890000030	CAP, RUBBER 25	1	1	1		
13 - 33	K4010217250	PACKING, OIL-SHEET 2-17.525	1	1	1		
13 - 34	K1400000010-Y	GAUGE, OIL 18	1	1	1		
13 - 35	K0000060252	BOLT, M6-25	1	1	1		
13 - 36							
13 - 37							



LM56GC_A14_a01

Cat No.	Code No.	Part name	Qty			Remark	SN of application
			LM18	LM56	LM66		
A14 - 1	K1300000050	GRIP, RUBBER RED 9-35.5	1	1	1		
A14 - 2	LM101--2706Z0	COVER, HANDLE U W/MARK	1	1	1		
A14 - 3	K4209001200	DECAL, BRAKE	1	1	1		
A14 - 4	K4203000700	DECAL, ACCELERATOR	1	1	1		
A14 - 5	K4203001610	DECAL, LIGHT SWITCH	1	1	1		
A14 - 6	K3662000050	SWITCH, TOGGLE FOR ENGINE	1	1	1		
A14 - 7	K0200080002	WASHER, SPRING M8	1	1	1		
A14 - 8	K0100080002	NUT, M8	1	1	1		
A14 - 9	K1320000150	KNOB, W/PLUG	1	1	1		
A14 - 10	K4021000030	CLIP, ANCHOR	4	4	4	frange 14mm	
A14 - 11	LM56GB-2608Z2	NUT, HIGH, W/SHAFT	1	1	1		
A14 - 12	K0102080002	NUT, M8-3	2	2	2		
A14 - 13	K0400006002	RING, RETAINING E M6	3	3	3		
A14 - 14	LM56GB-2606Z2	MOUNT, SWITCH	1	1	1		
A14 - 15	K1000000938	SPRING, COMPRESSION M1-12-40	1	1	1		
A14 - 16	LM56GB-2607Z2	SWITCH, RELEASING LOCK	1	1	1		
A14 - 17	LM56GB-2605Z2	METAL, CONNECTING	1	1	1		
A14 - 18	K0320050221	PIN, SPRING M5-22	2	2	2		
A14 - 19	K0200060002	WASHER, SPRING M6	3	3	3		
A14 - 20	K0000060152	BOLT, M6-15	2	2	2		
A14 - 21	LM56GB-2602Z2	LEVER, BRAKE	1	1	1		
A14 - 22	K6010000170	BUSH, FLANGED 12-14-10	6	6	6		
A14 - 23	K0000080202	BOLT, M8-20	1	1	1		
A14 - 24	K5000080002	WASHER, M8	1	1	1		
A14 - 25	K1120116010	WIRE, BRAKE 1160	1	1	1		
A14 - 26	LM56GB-2601AD	HANDLE, U LM56	0	1	0		
A14 - 27	LM66GB-2601AD	HANDLE, U LM66	0	0	1		
A14 - 28	K4241000040	BAND, PLASTIC TRCV-200W	1	1	1		
A14 - 29	LM56GB-2611AD	LEVER, CLUTCH (RH)	1	1	1		
A14 - 30	K1300000250	GRIP, RUBBER BLACK 22-256	2	2	2		

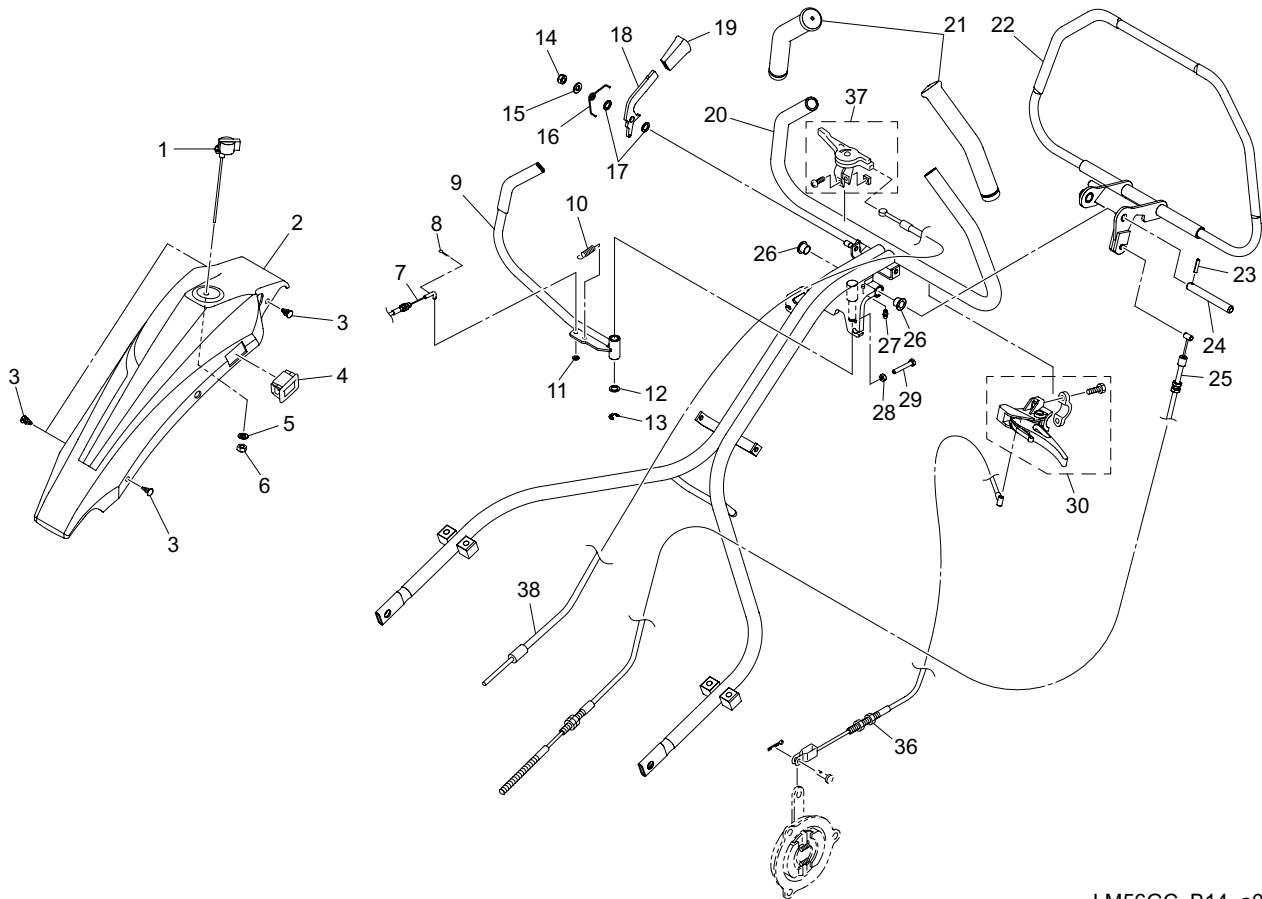


LM56GC_A14_a01

Cat No.	Code No.	Part name	Qty			Remark	SN of application
			LM18	LM56	LM66		
A14 - 31	LM56GB-2604A2	STOPPER	1	1	1		
A14 - 32	K4031000290	RUBBER, 7.5-15-5.5	1	1	1		
A14 - 33	K0400008002	RING, RETAINING E M8	1	1	1		
A14 - 34	K4031000100	STOPPER, RUBBER	1	1	1		
A14 - 35	K1440000070	GREASE NIPPLE	3	3	3		
A14 - 36	K0400009002	RING, RETAINING E M9	1	1	1		
A14 - 37	K0000060502	BOLT, M6-50	1	1	1		
A14 - 38	K0100060002	NUT, M6	2	2	2		
A14 - 39	K0210100002	SPRING, CONICAL DISC L M10	2	2	2		
A14 - 40	LM56GB-2603Z2	LEVER, THROTTLE	1	1	1		
A14 - 41	K0102100002	NUT, M10-3	2	2	2		
A14 - 42	K0300020122	PIN, COTTER M2-12	2	2	2		
A14 - 43	K5000050002	WASHER, M5	2	2	2		
A14 - 44	K4241000070	TUBE, URETHANE 7	3	3	3		
A14 - 45	K4241000010	BAND, NYLON 140	3	3	3		
A14 - 46	K1110100010	WIRE, THROTTLE 1000	1	1	1		
A14 - 47	K1130116000	WIRE, CLUTCH 1160	1	1	1		
A14 - 48	K3180000400	RUBBER, STOPPER	1	1	1		
A14 - 49	LM56GB-2609Z2	SHAFT, STOPPER	1	1	1		
A14 - 50	LM56GB-2610AD	LEVER, CLUTCH (LH)	1	1	1		
A14 - 51	K6030050152	PIN, FLAT HEAD M5-15	1	1	1		
A14 - 52	LM18GB-2601AD	HANDLE, U LM18	1	0	0		
A14 - 53	K4021000010	CLIP, ANCHOR 7.5	4	4	4	frange 12mm	
A14 - 54	K3650000090	HOUR METER	0	1	0	option	
A14b- 54	K3650000090	HOUR METER	0	0	1	option	
A14c- 54	K3650000090	HOUR METER	1	0	0	option	
A14 - 55	LM101--2703ZD	BRACKET, HOURMETER	0	1	0	option	
A14b- 55	LM101--2703ZD	BRACKET, HOURMETER	0	0	1	option	
A14c- 55	LM101--2703ZD	BRACKET, HOURMETER	1	0	0	option	

B14. Handle & Engine section C

LM18GC•LM56GC•LM66TC

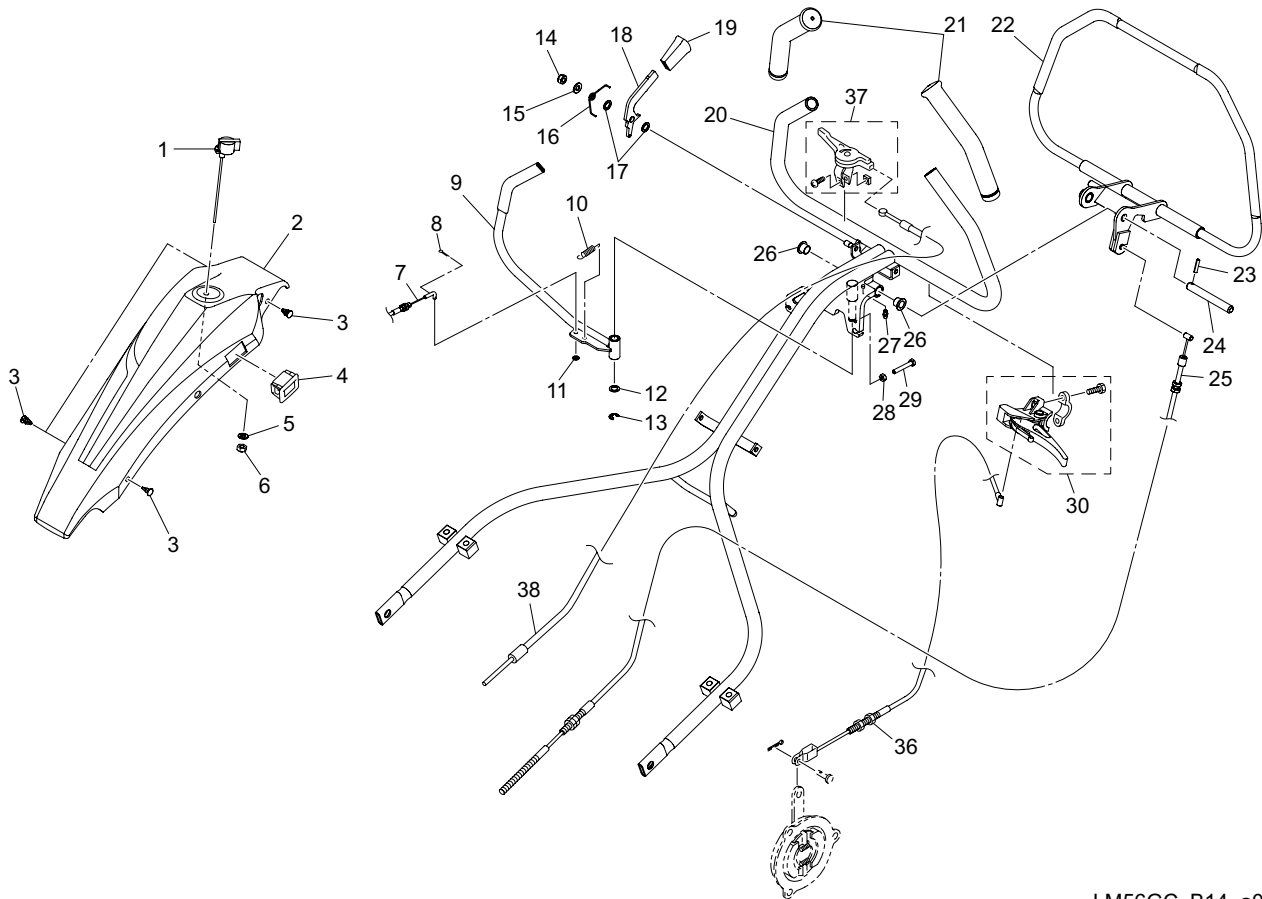


LM56GC_B14_a02

Cat No.	Code No.	Part name	Qty			Remark	SN of application
			LM18	LM56	LM66		
B14 - 1	K3662000050	SWITCH, TOGGLE FOR ENGINE	1	1	1		
B14 - 2	LM56GC-3109A0	COVER, HANDLE A	1	1	1		
B14 - 3	K4021000010	CLIP, ANCHOR 7.5	4	4	4		
B14 - 4	K3650000090	HOUR METER	1	1	1		
B14 - 5	K0200080002	WASHER, SPRING M8	1	1	1		
B14 - 6	K0100080002	NUT, M8	1	1	1		
B14 - 7	K1110090010	WIRE, THROTTLE 900	1	1	1		
B14 - 8	K0300016122	PIN, COTTER M1.6-12	1	1	1		
B14 - 9	LM56GC-3106ZD	LEVER, THROTTLE L	1	1	1		
B14 - 10	K1040000068	SPRING, W/HOOK M1-10-52	1	1	1		
B14 - 11	K5000050002	WASHER, M5	1	1	1		
B14 - 12	K5011011182	WASHER, SPCC 1-11-18	1	1	1		
B14 - 13	K0400008002	RING, RETAINING E M8	1	1	1		
B14 - 14	K0144080002	NUT, W/F-RING M8	1	1	1		
B14 - 15	K5000080002	WASHER, M8	1	1	1		
B14 - 16	K1050000258	SPRING, TORSION M1.8-11.6	0	1	0		
B14a- 16	K1050000258	SPRING, TORSION M1.8-11.6	0	0	1		
B14b- 16	K1050000258	SPRING, TORSION M1.8-11.6	1	0	0		
B14 - 17	K5051010160	WASHER, C5191P 1-10-16	2	2	2		
B14 - 18	LM56GC-3107Z2	LEVER, LOCKING CLUTCH	1	1	1		
B14a- 18							
B14 - 19	K1301000130	GRIP, PLASTIC SQUARE	1	1	1		
B14 - 20	LM56GC-3102AD	HANDLE, A 56	0	1	0		
B14a- 20	LM66GC-3102AD	HANDLE, A 66	0	0	1		
B14b- 20	LM18GC-3102AD	HANDLE, A	1	0	0		
B14 - 21	K1300000250	GRIP, RUBBER BLACK 22-256	2	2	2		
B14 - 22	LM56GC-3105ZD	LEVER, CLUTCH	1	1	1		
B14 - 23	K0320050221	PIN, SPRING M5-22	1	1	1		
B14 - 24	LM56GC-3108Z2	SHAFT, W/HOLE 5	1	1	1		
B14 - 25	K1130120000	WIRE, CLUTCH 1200	1	1	1		

B14. Handle & Engine section C

LM18GC•LM56GC•LM66TC

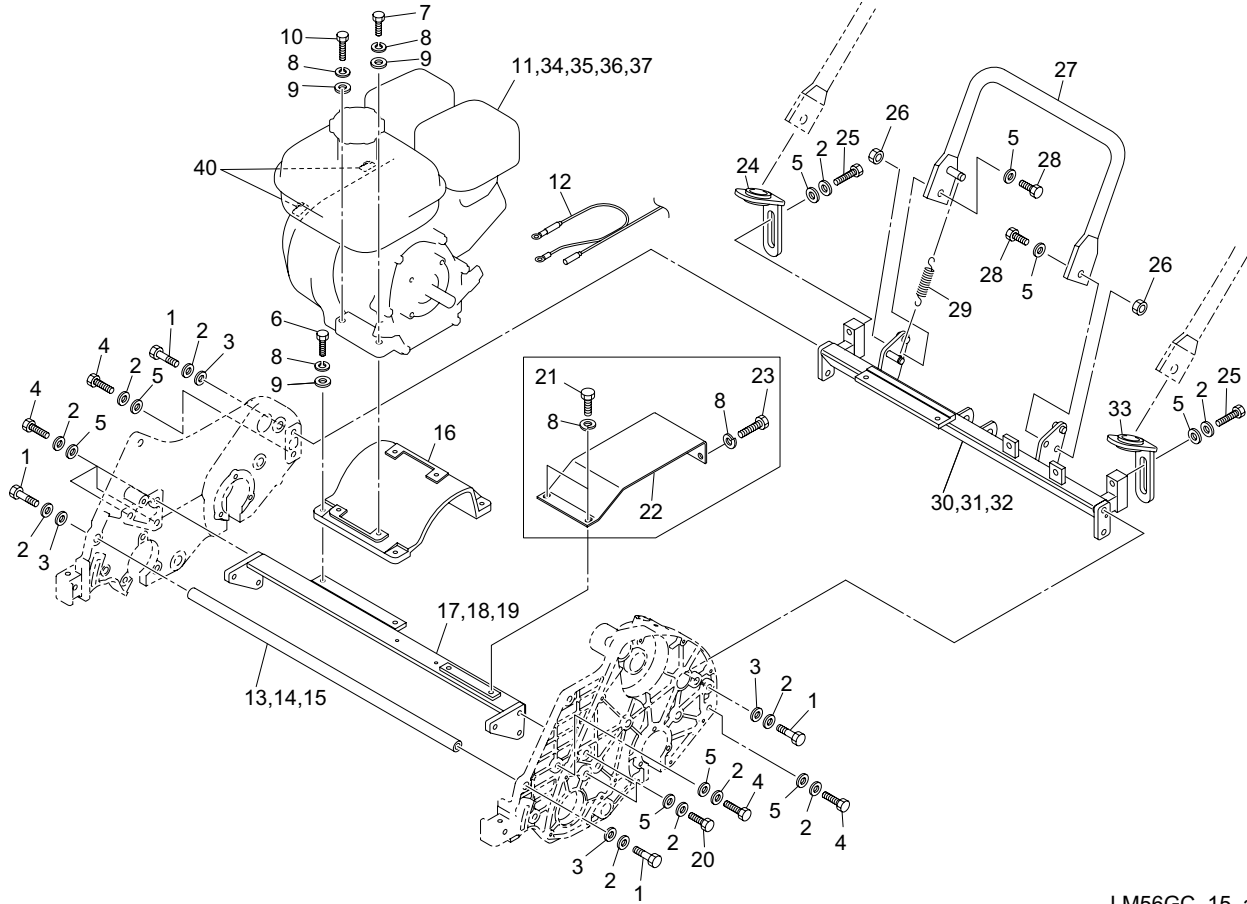


LM56GC_B14_a02

Cat No.	Code No.	Part name	Qty			Remark	SN of application
			LM18	LM56	LM66		
B14 - 26	K6010000170	BUSH, FLANGED 12-14-10	2	2	2		
B14 - 27	K1440000070	GREASE NIPPLE	1	1	1		
B14 - 28	K0100060002	NUT, M6	1	1	1		
B14 - 29	K0000060402	BOLT, M6-40	1	1	1		
B14 - 30	K1211380040	LEVER, CLUTCH E138004	1	1	1		
B14 - 31							
B14 - 32							
B14 - 33							
B14 - 34							
B14 - 35							
B14 - 36	K1120136900	WIRE, BRAKE 1369	1	1	1		
B14 - 37	K1203522000	LEVER, THROTTLE E352200	1	1	1	Accessory	
B14 - 38	K1110117010	WIRE, THROTTLE 1170S	1	1	1	Accessory	

15. Handle & Engine section D

LM18GC•LM56GC•LM66TC

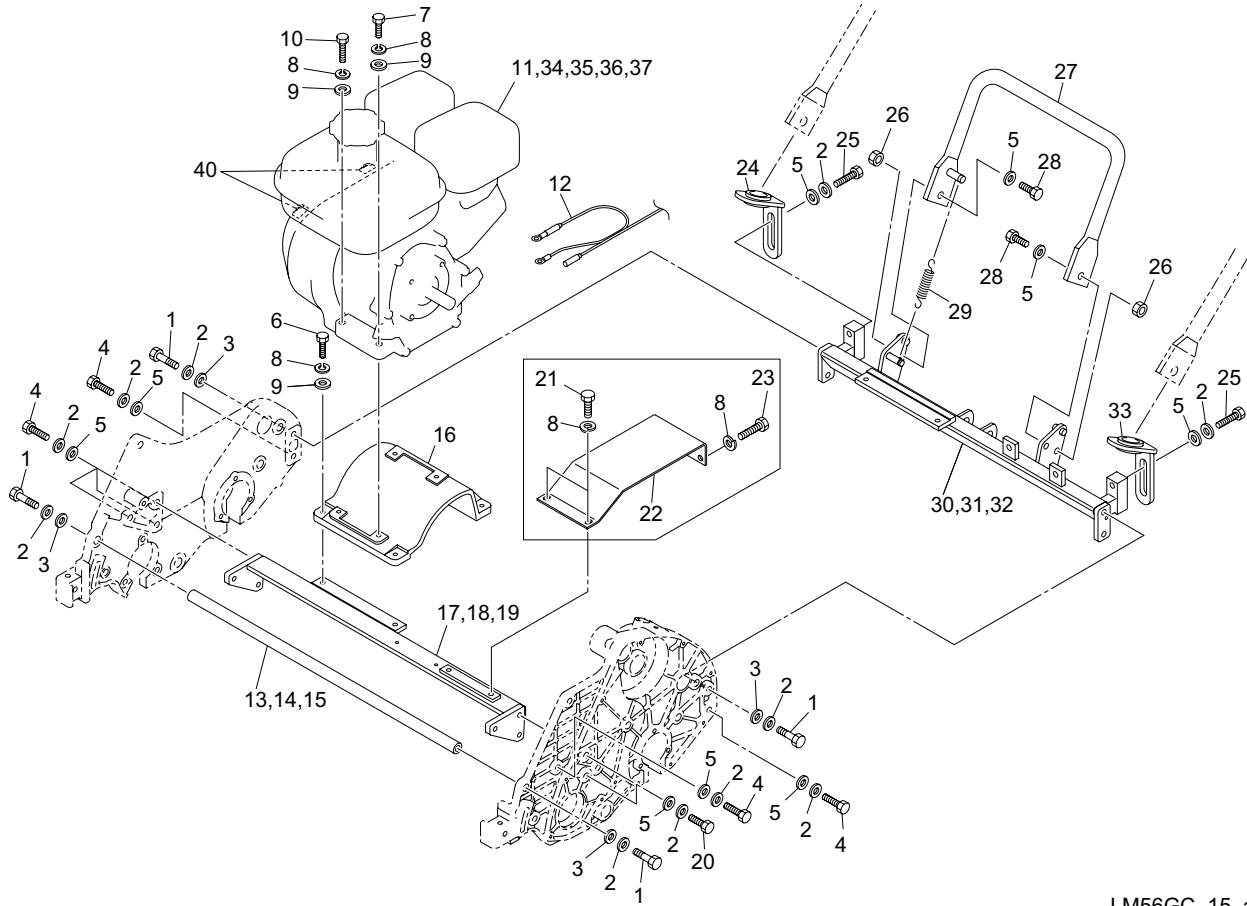


LM56GC_15_a02

Cat No.	Code No.	Part name	Qty			Remark	SN of application
			LM18	LM56	LM66		
15 - 1	K0071000592	BOLT, POSITIONING M10-40	4	4	4		
15 - 2	K0213100002	WASHER, DISK SPRING 1H M10	14	14	14		
15 - 3	K5001100002	WASHER, M10-24	4	4	4		
15 - 4	K0000100352	BOLT, M10-35	6	6	6		
15 - 5	K5000100002	WASHER, M10	12	12	12		
15 - 6	K0000080302	BOLT, M8-30	4	4	4		
15 - 7	K0000080352	BOLT, M8-35	1	1	1		
15 - 8	K0200080002	WASHER, SPRING M8	8	8	12		
15 - 9	K5000080002	WASHER, M8	8	8	8		
15 - 10	K0000080402	BOLT, M8-40	3	3	3		
15c- 11	K2655000030	ENGINE, HONDA GX120UT3	1	1	1		
15a- 12	K3620000550	LINE, ENGINE SWITCH 8A	1	1	1		
15 - 13	LM56G--0705Z2	PIPE, FRONT STAY	0	1	0		
15 - 14	LM66G--0705Z2	PIPE, FRONT STAY	0	0	1		
15 - 15	LM18G--0705Z2	PIPE, FRONT STAY	1	0	0		
15 - 16	K6810000060	BASE, ENGINE MOUNTING M	1	1	1		
15 - 17	LM56GB-0706ZR	STAY, FRONT FRAME	0	1	0		
15 - 18	LM66GB-0706ZR	STAY, FRONT FRAME	0	0	1		
15 - 19	LM18GB-0706ZR	STAY, FRONT FRAME	1	0	0		
15 - 20	K0000100302	BOLT, M10-30	2	2	2		
15 - 21	K0000080152	BOLT, M8-15	0	0	2		
15 - 22	LM66G--0709ZR	PLATE, REINFORCEMENT	0	0	1		
15 - 23	K0000080202	BOLT, M8-20	0	0	2		
15 - 24	LM55GB-0716E0	ADJUSTER, HANDLE (RH)	1	1	1		
15 - 25	K0010100252	BOLT, HT M10-25	2	2	2		
15 - 26	K0100100002	NUT, M10	2	2	2		
15 - 27	LM56G--0708AD	STAND	1	1	1		
15 - 28	K0000100252	BOLT, M10-25	2	2	2		
15 - 29	K1020000198	SPRING, W/ROUND HOOK M2.6-15.5-84	1	1	1		
15 - 30	LM56GB-0707AR	STAY, REAR FRAME	0	1	0		

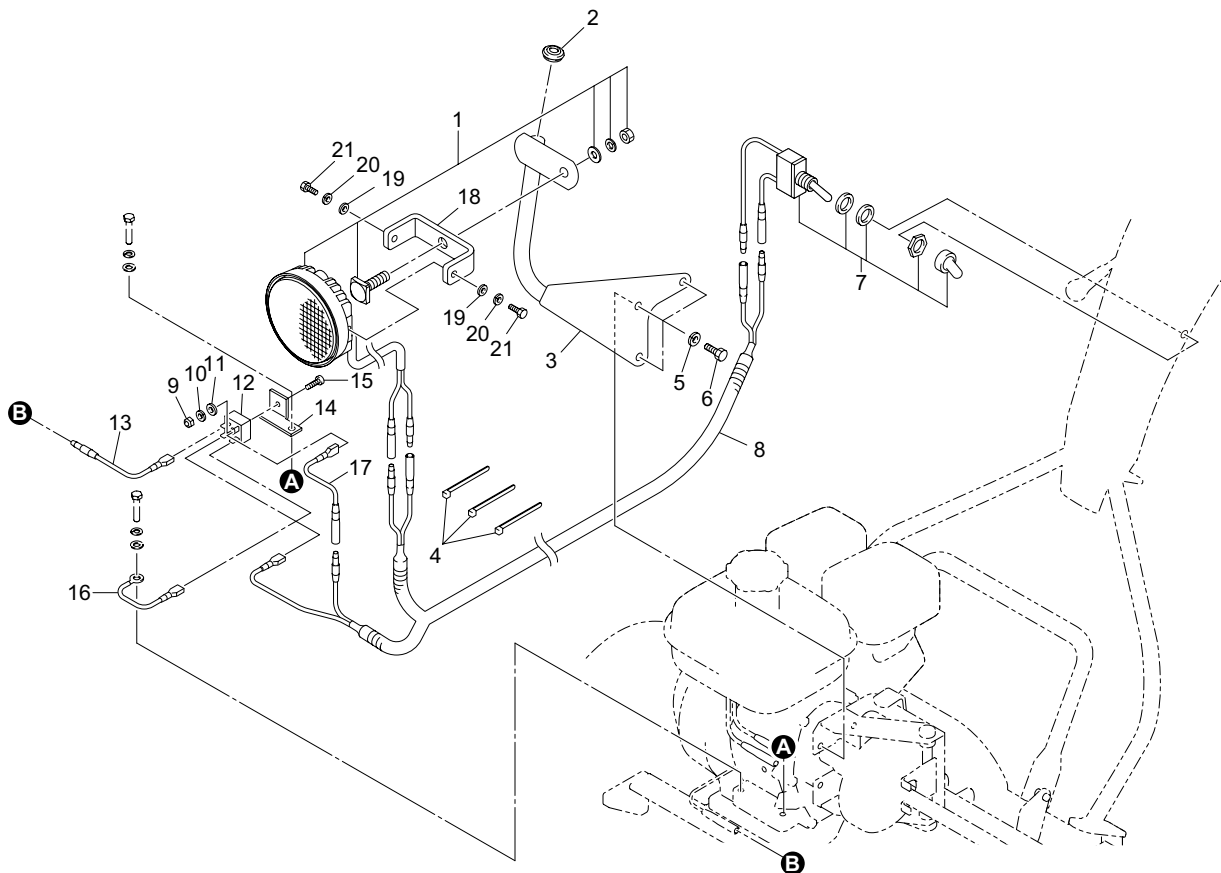
15. Handle & Engine section D

LM18GC•LM56GC•LM66TC



LM56GC_15_a02

Cat No.	Code No.	Part name	Qty			Remark	SN of application
			LM18	LM56	LM66		
15 - 31	LM66GB-0707AR	STAY, REAR FRAME	0	0	1		
15 - 32	LM18GB-0707AR	STAY, REAR FRAME	1	0	0		
15 - 33	LM55GB-0715E0	ADJUSTER, HANDLE (LH)	1	1	1		
15a- 34	PE920702112	PLUG, SPARK (BPR4ES) (NGK)	1	1	1		
15a- 35	PBH17210-ZE0-822	ELEMENT, AIR CLEANER (DUAL)	1	1	1		
15a- 36	PBH17218-ZE0-821	FILTER, OUTER	1	1	1		
15a- 37	PBH17232-891-000	GROMMET, AIR CLEANER	1	1	1		
15a- 38							
15 - 39							
15a- 40	K4251000040	LATCH, WIRE S10	2	2	2		
15a- 41							

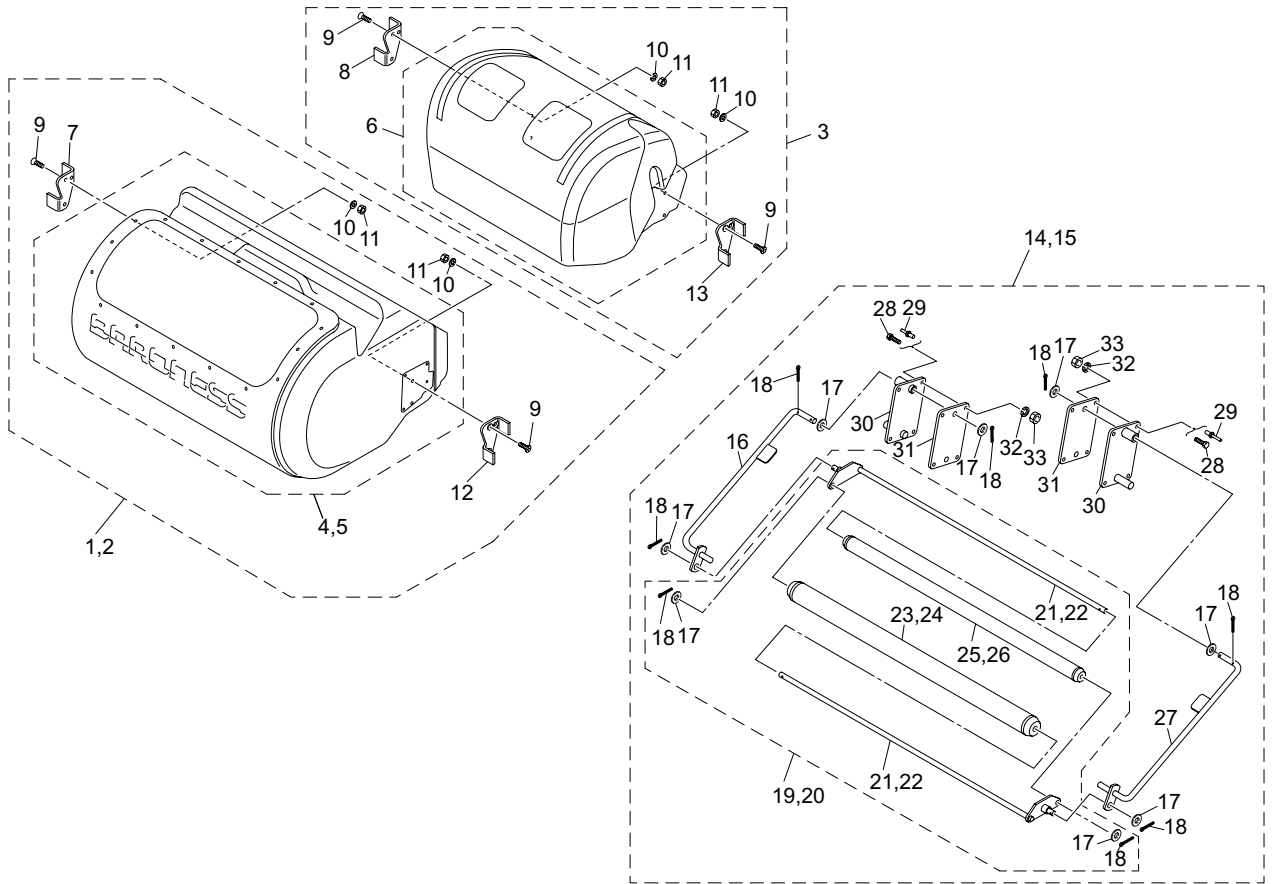


LM56GC_16_a02

Cat No.	Code No.	Part name	Qty			Remark	SN of application
			LM18	LM56	LM66		
16 - 1	K3640000090	LAMP, LED WORKING NS-2556	1	1	1		
16 - 2	K0900300140	GROMMET, W/SEALING C30SG14A	1	1	1		
16 - 3	K735500071D	BRACKET, HEAD LAMP	1	1	1		
16 - 4	K4241000060	BAND, PLASTIC TRCV-160LW	3	3	3		
16 - 5	K0200080002	WASHER, SPRING M8	3	3	3		
16 - 6	K0000080202	BOLT, M8-20	3	3	3		
16 - 7	K3662000100	SWITCH, TOGGLE FOR LAMP WD101181	1	1	1		
16a- 8	K3620001120	WIRE, SWITCH	1	1	1		
16a- 9	K0144040002	NUT, W/F-RING, M4	1	1	1		
16a- 10	K0200040002	WASHER, SPRING M4	1	1	1		
16a- 11	K5000040002	WASHER, M4	1	1	1		
16a- 12	K3730000030	DIODE, BRIDGE S15VB60	1	1	1		
16a- 13	LM101--2303Z0	WIRE, 80	1	1	1		
16a- 14	LM101--2301Z2	BRACKET, RECTIFIER	1	1	1		
16a- 15	K0042040202	SCREW, + ROUND HEAD M4-20	1	1	1		
16a- 16	LM101--2302Z0	WIRE, BLACK	1	1	1		
16a- 17	LM101--2304Z0	WIRE, 100	1	1	1		
16 - 18	LM101--2305ZD	BRACKET, HEAD LAMP	1	1	1		
16 - 19	K5000050002	WASHER, M5	2	2	2		
16 - 20	K0200050002	WASHER, SPRING M5	2	2	2		
16 - 21	K0000050152	BOLT, M5-15	2	2	2		

17. Grass catcher section

LM18GC•LM56GC•LM66TC

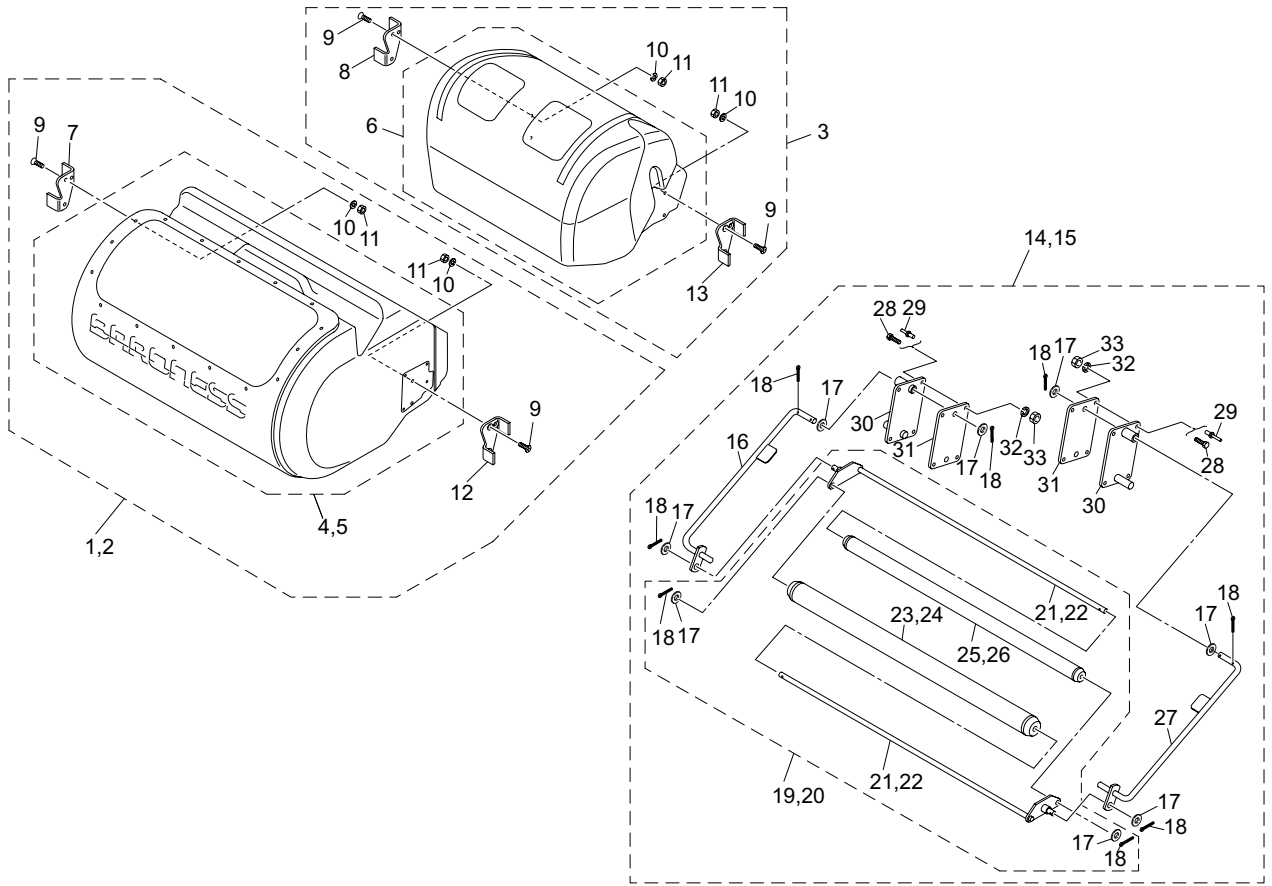


LM56GC_17_z00

Cat No.	Code No.	Part name	Qty			Remark	SN of application
			LM18	LM56	LM66		
17a- 1	LM56G--8101Z0	GRASS CATCHER ASSY, 56	0	1	0		
17a- 2	LM66G--8101Z0	GRASS CATCHER ASSY, LM66	0	0	1		
17 - 3	LM18G--0803Z0	GRASS CATCHER ASSY, LM18	1	0	0		
17a- 4	LM56G--8103Z0	GRASS CATCHER COMP, LM56	0	1	0		
17a- 5	LM66G--8103Z0	GRASS CATCHER COMP, LM66	0	0	1		
17 - 6	LM18G--0804Z0	GRASS CATCHER COMP, LM18	1	0	0		
17 - 7	K527600002D	LATCH, (RH)	0	1	1		
17 - 8	LM18G--0807ZD	LATCH, (RH)	1	0	0		
17 - 9	K0041060202	SCREW, + FLAT HEAD M6-20	4	4	4		
17 - 10	K0200060002	WASHER, SPRING M6	4	4	4		
17 - 11	K0100060002	NUT, M6	4	4	4		
17 - 12	K527600001D	LATCH, (LH)	0	1	1		
17 - 13	LM18G--0806ZD	LATCH, (LH)	1	0	0		
17 - 14	1239400	DEW ROLLER KIT, LM56	0	1	0		
17 - 15	1256500	DEW ROLLER KIT, LM66	0	0	1		
17 - 16	LM56G--7609Z3	ARM, ROLLER (RH)	0	1	1		
17 - 17	K5000080002	WASHER, M8	0	10	10		
17 - 18	K0302020160	PIN, COTTER SUS M2-16	0	8	8		
17 - 19	LM56G--7633Z0	ROLLER COMP, DEW LM56	0	1	0		
17 - 20	LM66G--7633Z0	ROLLER COMP, DEW LM66	0	0	1		
17 - 21	LM56G--7630Z3	METAL, CONNECTING	0	2	0		
17 - 22	LM66G--7630Z3	METAL, CONNECTING	0	0	2		
17 - 23	LM56G--7631Z0	ROLLER, 48	0	1	0		
17 - 24	LM66G--7631Z0	ROLLER, 48	0	0	1		
17 - 25	LM56G--7632Z0	ROLLER, 34	0	1	0		
17 - 26	LM66G--7632Z0	ROLLER, 34	0	0	1		
17 - 27	LM56G--7608Z3	ARM, ROLLER (LH)	0	1	1		
17 - 28	K0042040122	SCREW, + ROUND HEAD M4-12	0	8	8		
17 - 29	K4510615160	RIVET, BLIND AVEX 1661-0516	0	8	8		
17 - 30	LM56G--7606Z3	FULCRUM	0	2	2		

17. Grass catcher section

LM18GC•LM56GC•LM66TC

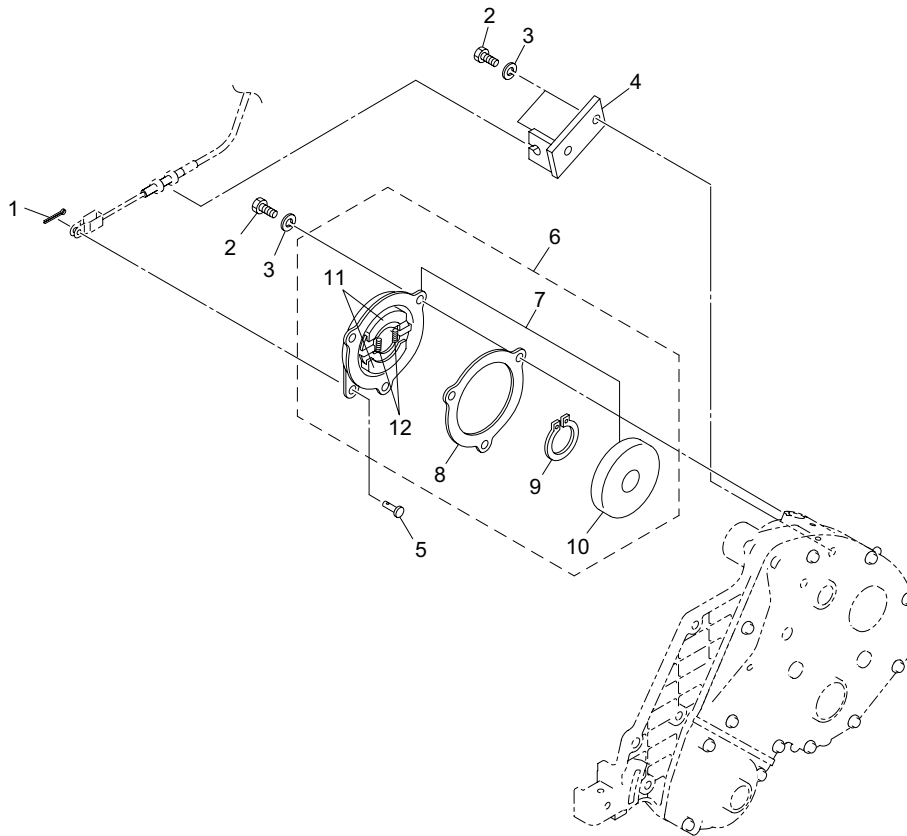


LM56GC_17_z00

Cat No.	Code No.	Part name	Qty			Remark	SN of application
			LM18	LM56	LM66		
17 - 31	K5116000213	PLATE, SPCC MOUNTING	0	2	2		
17 - 32	K0200040002	WASHER, SPRING M4	0	8	8		
17 - 33	K0100040002	NUT, M4	0	8	8		

18. Brake section

LM18GC•LM56GC•LM66TC

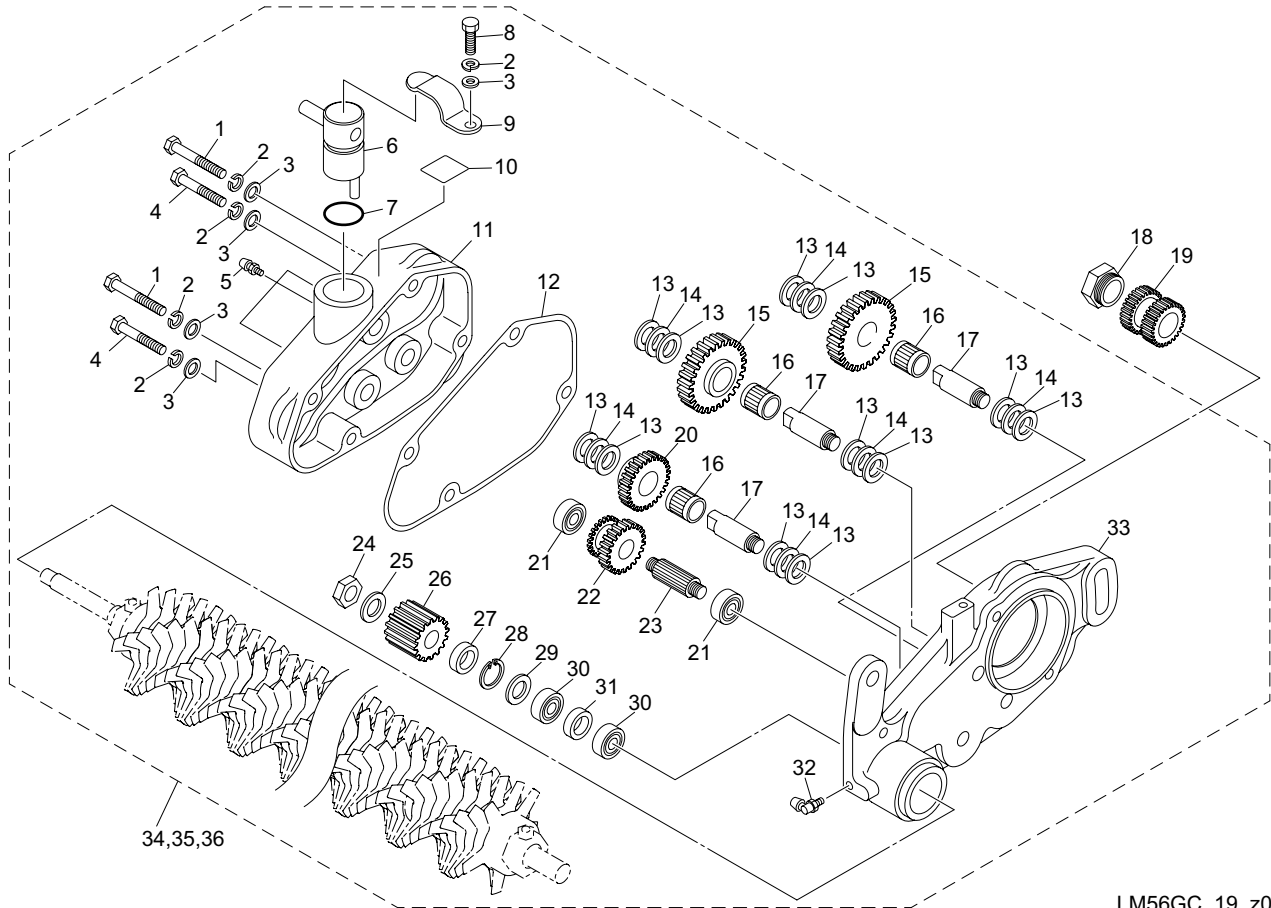


LM56GC_18_z01

Cat No.	Code No.	Part name	Qty			Remark	SN of application
			LM18	LM56	LM66		
18 - 1	K0300020122	PIN, COTTER M2-12	1	1	1		
18 - 2	K0000060152	BOLT, M6-15	5	5	5		
18 - 3	K0200060002	WASHER, SPRING M6	5	5	5		
18 - 4	LM56G--1102Z2	BRACKET, WIRE	1	1	1		
18 - 5	K6030050122	PIN, FLAT HEAD M5-12	1	1	1		
18 - 6	K1720000020	BRAKE, M-0060810	1	1	1		
18 - 7	K1720000150	BRAKE ASSY, 62	1	1	1		
18 - 8	K4019000020	PACKING, FOR BRAKE	1	1	1		
18 - 9	K0401014001	RING, RETAINING S M14	1	1	1		
18 - 10	M-0060510-11	DRAM, BRAKE	1	1	1		
18 - 11	M-0060510-12	SHOE, BRAKE	2	2	2		
18 - 12	M-0060510-8	SPRING, SHOE	2	2	2		

19. Groomer section A

LM18GC•LM56GC•LM66TC

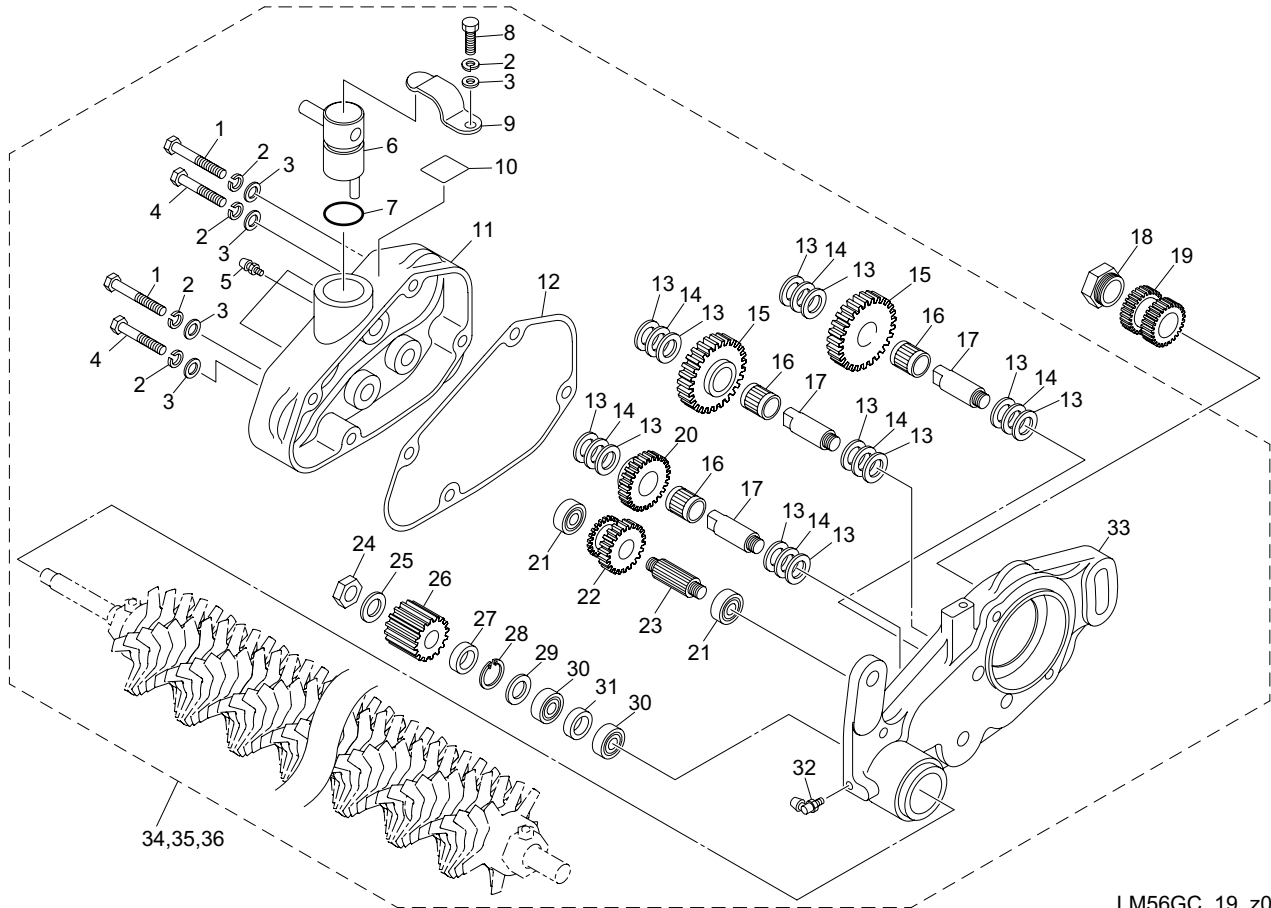


LM56GC_19_z00

Cat No.	Code No.	Part name	Qty			Remark	SN of application
			LM18	LM56	LM66		
19 - 1	K0000060502	BOLT, M6-50	2	2	2		
19 - 2	K0200060002	WASHER, SPRING M6	5	5	5		
19 - 3	K5000060002	WASHER, M6	5	5	5		
19 - 4	K0000060402	BOLT, M6-40	2	2	2		
19 - 5	K1440000010	GREASE NIPPLE, STRAIGHT TYPE A	3	3	3		
19 - 6	K732100014C	LEVER, VERTICAL CLUTCH	1	1	1		
19 - 7	K0880018000	O-RING, P18	1	1	1		
19 - 8	K0000060102	BOLT, M6-10	1	1	1		
19 - 9	K1090000058	SPRING, CLUTCH RETAINER	1	1	1		
19a- 10	K4203001120	LABEL, INDICATION GROOMER	1	1	1		
19 - 11	K690200004R	COVER, GEAR CASE	1	1	1		
19 - 12	LM56G--8002A0	PACKING, GEAR CASE	1	1	1		
19 - 13	K5051010160	WASHER, C5191P 1-10-16	12	12	12		
19 - 14	K5020810160	WASHER, NBS55 0.8-10-16	6	6	6		
19 - 15	K6186000050	GEAR, 24-TEETH	2	2	2		
19 - 16	K0701013100	BEARING, NEEDLE KT101310EGB2	3	3	3		
19 - 17	K6120000310	COUNTERSHAFT, THREADED	3	3	3		
19 - 18	LM56G--1208A0	NUT, REEL GEAR	1	1	1		
19 - 19	LM56G--1204Z0	GEAR, 20-TEETH	1	1	1		
19 - 20	K6186000040	GEAR, 18-TEETH B	1	1	1		
19 - 21	K0608060000	BEARING, BALL SEAL 2RS 6000	2	2	2		
19 - 22	K6180000150	GEAR, SPLINED 23-TEETH	1	1	1		
19 - 23	K6100000100	SHAFT, CLUTCH	1	1	1		
19 - 24	K0160000322	NUT, LEFT-HANDED P1 M10	1	1	1		
19 - 25	K0213100002	WASHER, DISK SPRING 1H M10	1	1	1		
19 - 26	K6180000160	GEAR, SPLINED 20-TEETH	1	1	1		
19 - 27	K6212001910	COLLAR, STKM M12.1-17-6	1	1	1		
19 - 28	K0402024001	RING, RETAINING R M24	1	1	1		
19 - 29	K0220160110	WASHER, WAVE 16011	1	1	1		
19 - 30	K0611069010	BEARING, BALL SEAL RDC3 6901	2	2	2		

19. Groomer section A

LM18GC•LM56GC•LM66TC

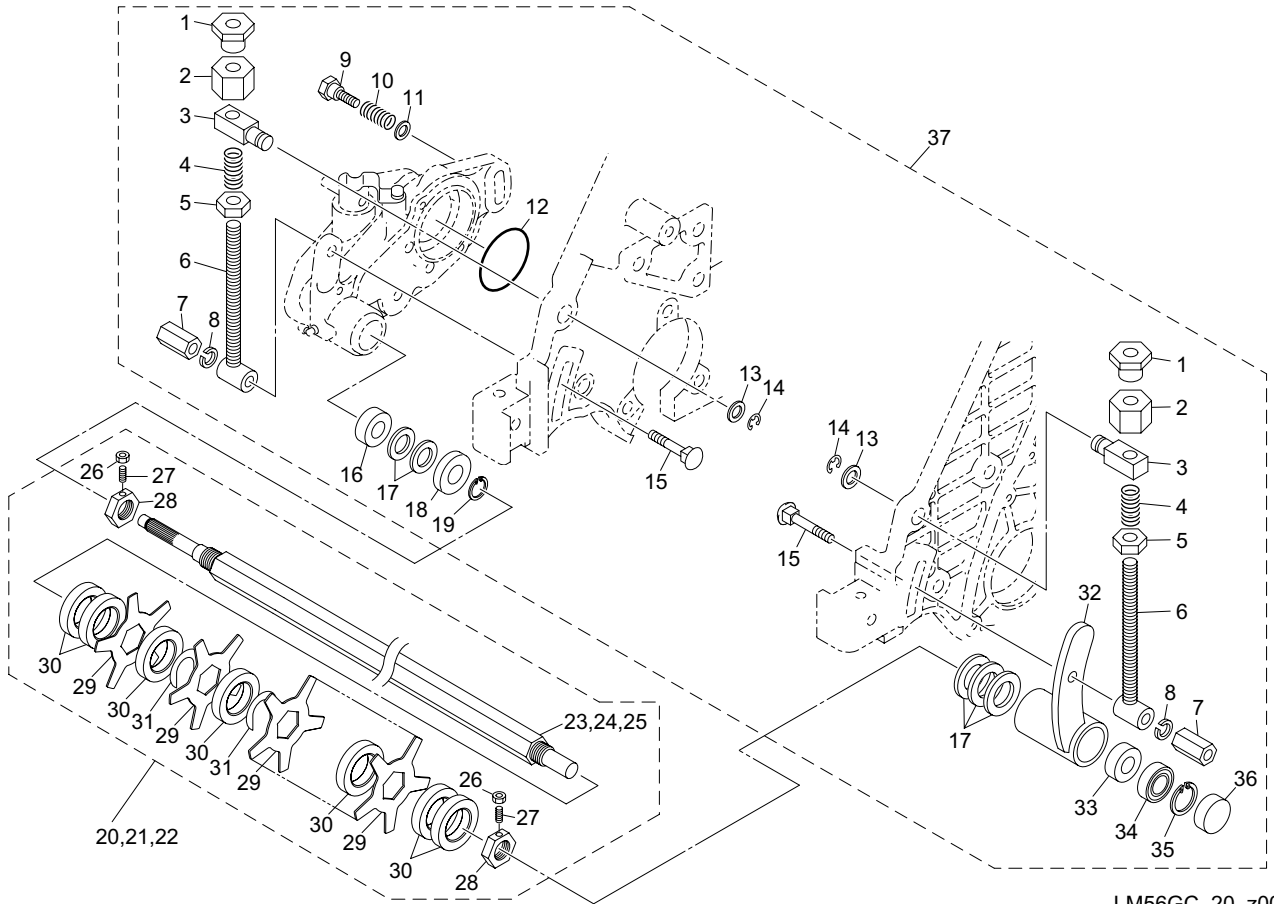


LM56GC_19_z00

Cat No.	Code No.	Part name	Qty			Remark	SN of application
			LM18	LM56	LM66		
19 - 31	K6212001590	COLLAR, STKM M12.1-17-14	1	1	1		
19 - 32	K1440000020	GREASE NIPPLE, 90 TYPE C	1	1	1		
19 - 33	K680100001R	GEARCASE, VERTICAL DT	1	1	1		
19a- 34	LM56G--8001Z0	GROOMER & GEAR ASSY, 78 (LM56)	0	1	0		
19a- 35	LM66G--8001Z0	GROOMER & GEAR ASSY, 92 (LM66)	0	0	1		
19a- 36	LM18G--2906Z0	GROOMER & GEAR ASSY, 64 (LM18)	1	0	0		
19c- 36	LM18G--2907Z0	DETHATCHER & GEAR ASSY, 32-1 (LM18)	1	0	0		

20. Groomer section B

LM18GC•LM56GC•LM66TC

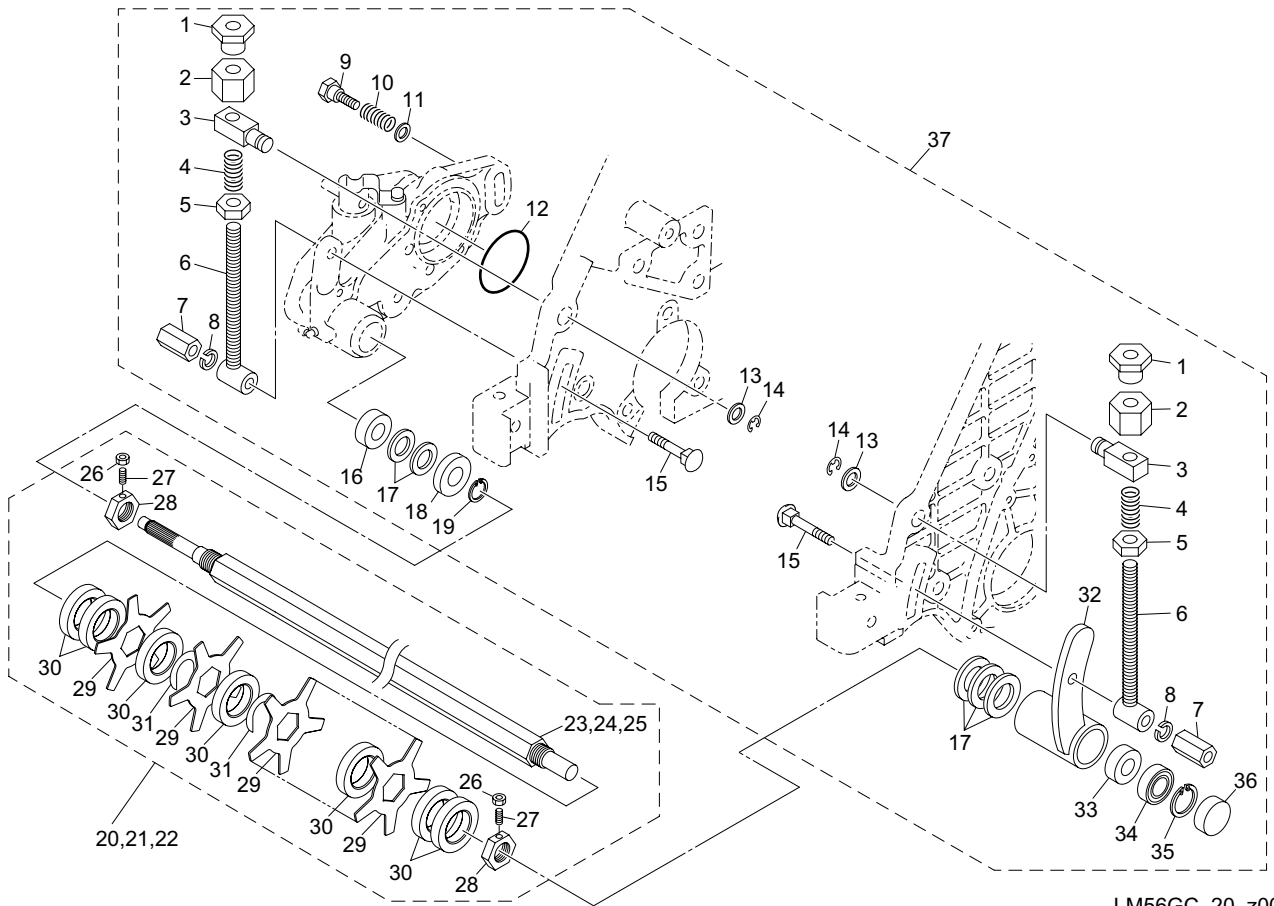


LM56GC_20_z00

Cat No.	Code No.	Part name	Qty			Remark	SN of application
			LM18	LM56	LM66		
20 - 1	LM56G--1216Z2	NUT, SPECIAL B M8	2	2	2		
20 - 2	LM56G--1215Z2	NUT, SPECIAL A M8	2	2	2		
20 - 3	LM56G--1217Z2	BUSH, ADJUSTING	2	2	2		
20 - 4	K1000000238	SPRING, COMPRESSION M1.4-13.3-42	2	2	2		
20 - 5	K0100080002	NUT, M8	2	2	2		
20 - 6	LM56G--1218Z2	SCREW, ADJUSTING 108	2	2	2		
20 - 7	K0149083202	NUT, HIGH M8-13-20	2	2	2		
20 - 8	K0200080002	WASHER, SPRING M8	2	2	2		
20 - 9	K6083000143	PIN, STEPPED FOR FIXING (RH) CASE	1	1	1		
20 - 10	K1000000309	SPRING, COMPRESSION M1.6-13.7-20	1	1	1		
20 - 11	K5090000250	WASHER, C5191P 2-8.5-22	1	1	1		
20 - 12	K0882045000	O-RING, G45	1	1	1		
20 - 13	K5011013222	WASHER, SPCC 1-13-22	2	2	2		
20 - 14	K0400010002	RING, RETAINING E M10	2	2	2		
20 - 15	K0025080552	BOLT,CARRIAGE M8-55	2	2	2		
20 - 16	K0821522070	OIL SEAL, MHSA15227	1	1	1		
20 - 17	K5051015280	WASHER, C5191P 1-15-28	5	5	5		
20 - 18	K5300000293	COVER, DUST PROOF	1	1	1		
20 - 19	K0401015001	RING, RETAINING S M15	1	1	1		
20 - 20	LM56G--1219Z0	GROOMER COMP, 78 (LM56)	0	1	0		
20a- 20	LM56G--1502Z0	DETHATCHER COMP, 39 (LM56)	0	1	0		
20b- 20	LM56G--2102Z0	DETHATCHER COMP, 39-1 (LM56)	0	1	0		
20 - 21	LM66G--1219Z0	GROOMER COMP, 92 (LM66)	0	0	1		
20a- 21	LM66G--1502Z0	DETHATCHER COMP, 46 (LM66)	0	0	1		
20b- 21	LM66G--2102Z0	DETHATCHER COMP, 46-1 (LM66)	0	0	1		
20 - 22	LM18G--1219Z0	GROOMER COMP, 64 (LM18)	1	0	0		
20a- 22	LM18G--1502Z0	DETHATCHER COMP, 32 (LM18)	1	0	0		
20b- 22	LM18G--2102Z0	DETHATCHER COMP, 32-1 (LM18)	1	0	0		
20 - 23	K6084000118	SHAFT, VERTICAL BLADES	0	1	0		
20 - 24	LM66G--1211Z8	SHAFT, VERTICAL BLADES LM66	0	0	1		

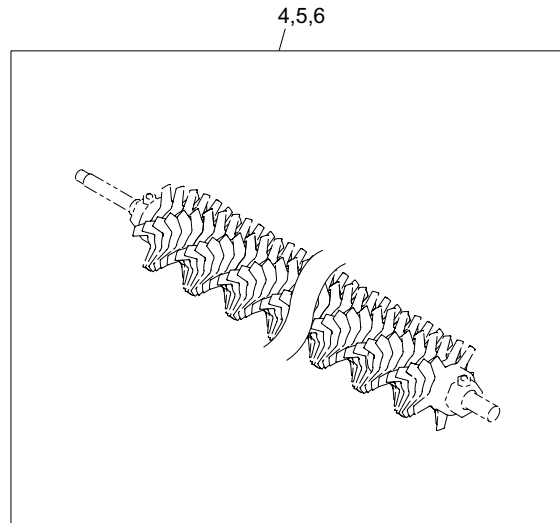
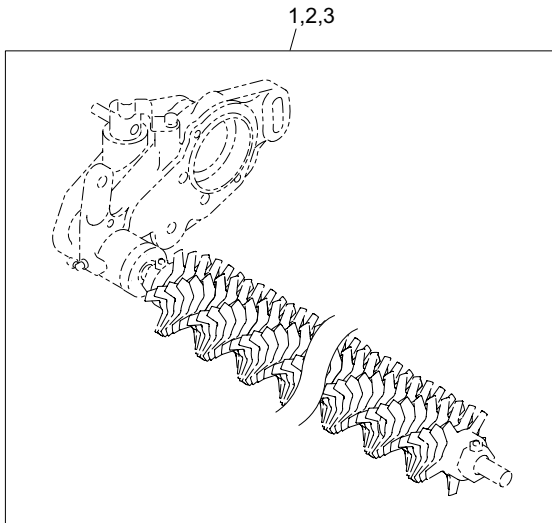
20. Groomer section B

LM18GC•LM56GC•LM66TC



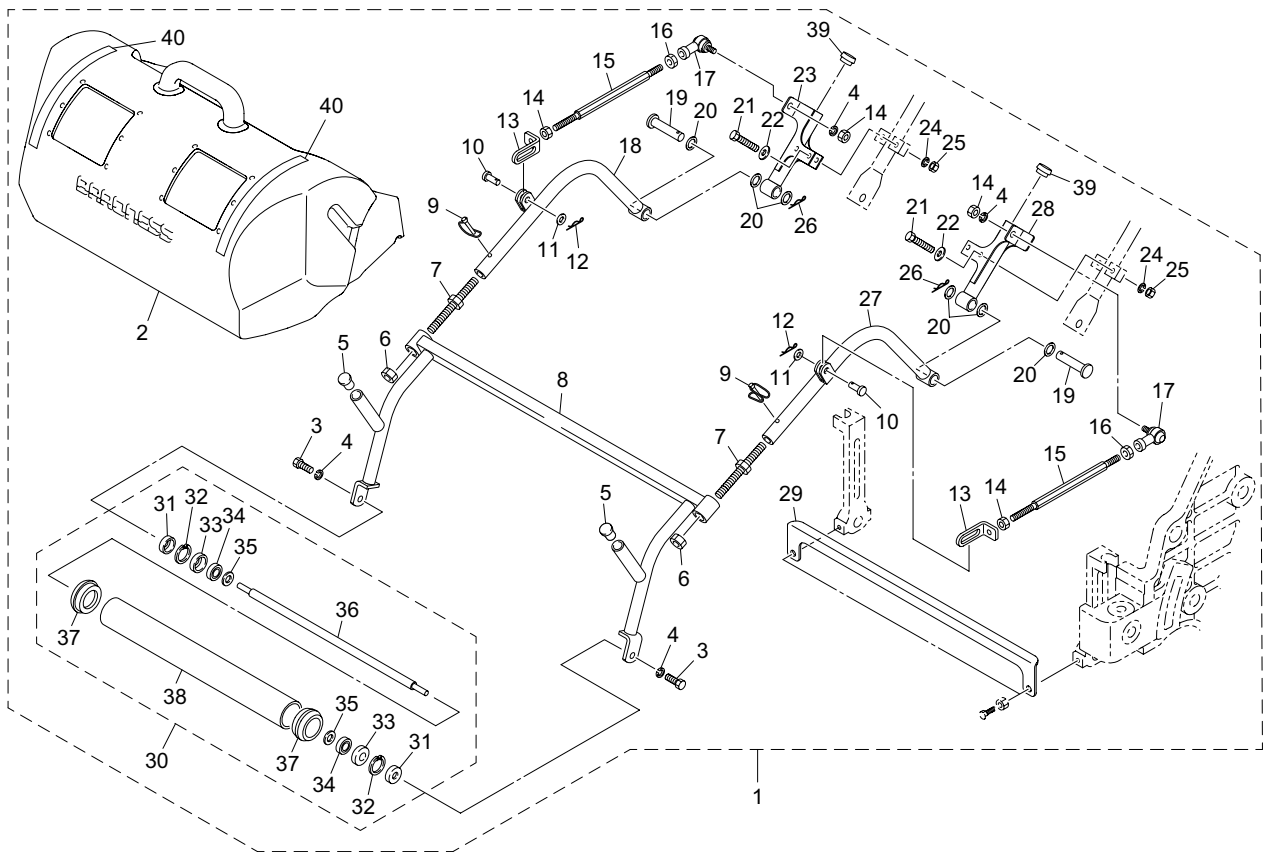
LM56GC_20_z00

Cat No.	Code No.	Part name	Qty			Remark	SN of application
			LM18	LM56	LM66		
20 - 25	LM18G--1201Z8	SHAFT, VERTICAL BLADES LM18	1	0	0		
20 - 26	K0100040002	NUT, M4	2	2	2		
20 - 27	K0023000041	SETSCREW, M4-8	2	2	2		
20 - 28	K0160000602	NUT, SPECIAL P1 M17 W/M4	2	2	2		
20 - 29	K2570000019	BLADE, VERTICAL 63	—	—	—	refer to Groomer section C	
20a- 29	K2570000099	BLADE, VERTICAL 63-1	—	—	—	refer to Groomer section C	
20 - 30	K6214000030	COLLAR, AC M19.7-32-6.1	—	—	—	refer to Groomer section C	
20 - 31	K5090000673	WASHER, SPCC 0.5	—	—	—	refer to Groomer section C	
20a- 31	K5090000652	WASHER, SPCC 0.5-19.7-32	—	—	—	refer to Groomer section C	
20 - 32	LM56G--1212CR	HOUSING, VERTICAL (LH)	1	1	1		
20 - 33	K0821525070	OIL SEAL, MHSA15257	1	1	1		
20 - 34	K0608069020	BEARING, BALL SEAL 2RS 6902	1	1	1		
20 - 35	K0402028001	RING, RETAINING R M28	1	1	1		
20 - 36	K0890000060	CAP, RUBBER 30	1	1	1		
20 - 37	LM56GA-2907A0	FRONT ATTACHMENT PARTS KIT	1	1	1		



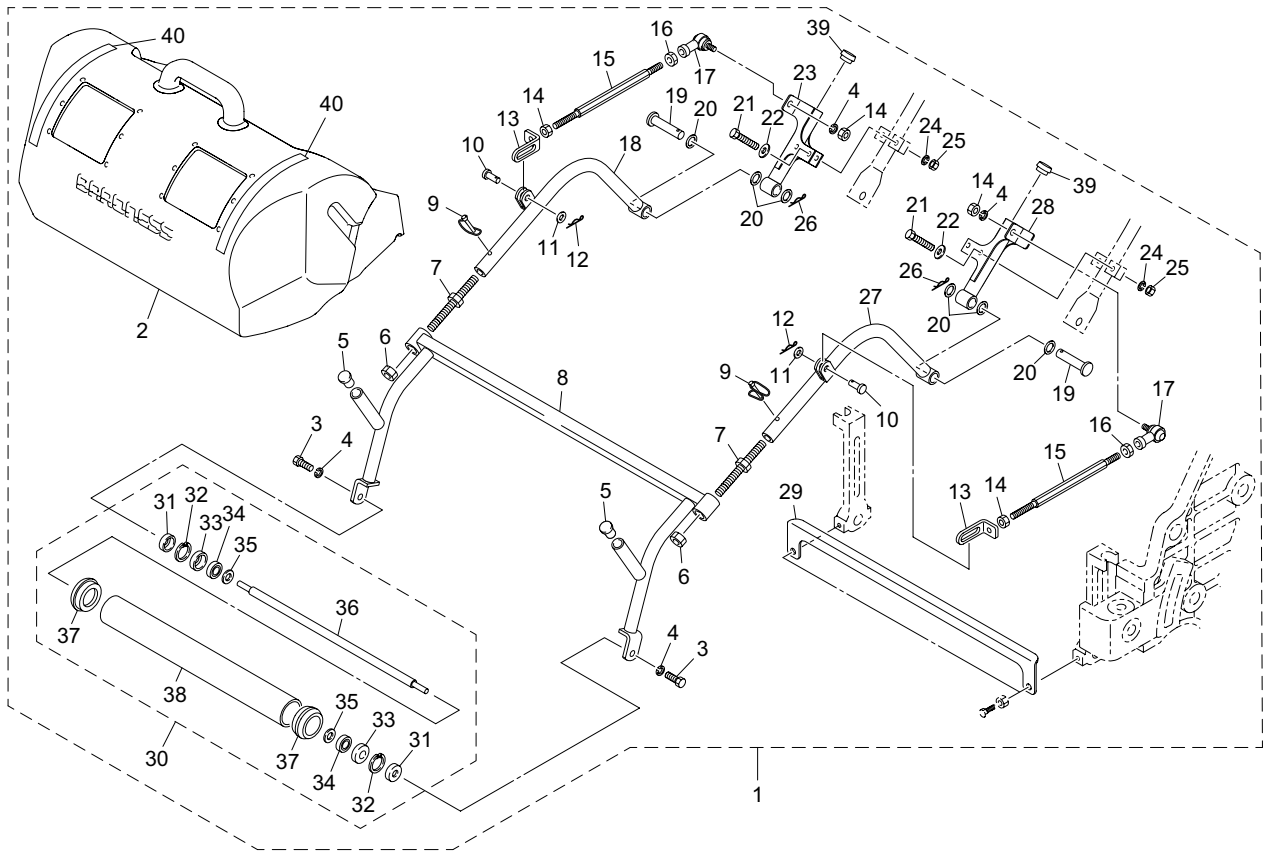
LM56GC_21_z00

Cat No.	Code No.	Part name	Qty			Remark	BLADE		COLLAR	WASHER	
			LM18	LM56	LM66		K2570000019	K2570000099	K6214000030	K5090000673	K5090000652
							BLADE, VERTICAL 63 t=0.5	BLADE, VERTICAL 63-1 t=1.0	COLLAR, AC M19.7-32-6.1	WASHER, SPCC 0.5	WASHER, SPCC 0.5-19.7-32
21a-1	LM56G--8001Z0	GROOMER & GEAR ASSY, 78 (LM56)	0	1	0		78	—	81	0-5	—
21a-2	LM66G--8001Z0	GROOMER & GEAR ASSY, 92 (LM66)	0	0	1		92	—	95	0-5	—
21a-3	LM18G--2906Z0	GROOMER & GEAR ASSY, 64 (LM18)	1	0	0		64	—	67	0-5	—
21c-3	LM18G--2907Z0	DETHATCHER & GEAR ASSY, 32-1 (LM18)	1	0	0		—	32	66	—	—
21 -4	LM56G--1219Z0	GROOMER COMP, 78 (LM56)	0	1	0		78	—	81	0-5	—
21a-4	LM56G--1502Z0	DETHATCHER COMP, 39 (LM56)	0	1	0		39	—	81	0	38
21b-4	LM56G--2102Z0	DETHATCHER COMP, 39-1 (LM56)	0	1	0		—	39	81	—	—
21 -5	LM66G--1219Z0	GROOMER COMP, 92 (LM66)	0	0	1		92	—	95	0-5	—
21a-5	LM66G--1502Z0	DETHATCHER COMP, 46 (LM66)	0	0	1		46	—	95	—	45
21b-5	LM66G--2102Z0	DETHATCHER COMP, 46-1 (LM66)	0	0	1		—	46	95	—	—
21 -6	LM18G--1219Z0	GROOMER COMP, 64 (LM18)	1	0	0		64	—	67	0-5	—
21a-6	LM18G--1502Z0	DETHATCHER COMP, 32 (LM18)	1	0	0		32	—	66	—	32
21b-6	LM18G--2102Z0	DETHATCHER COMP, 32-1 (LM18)	1	0	0		—	32	66	—	—



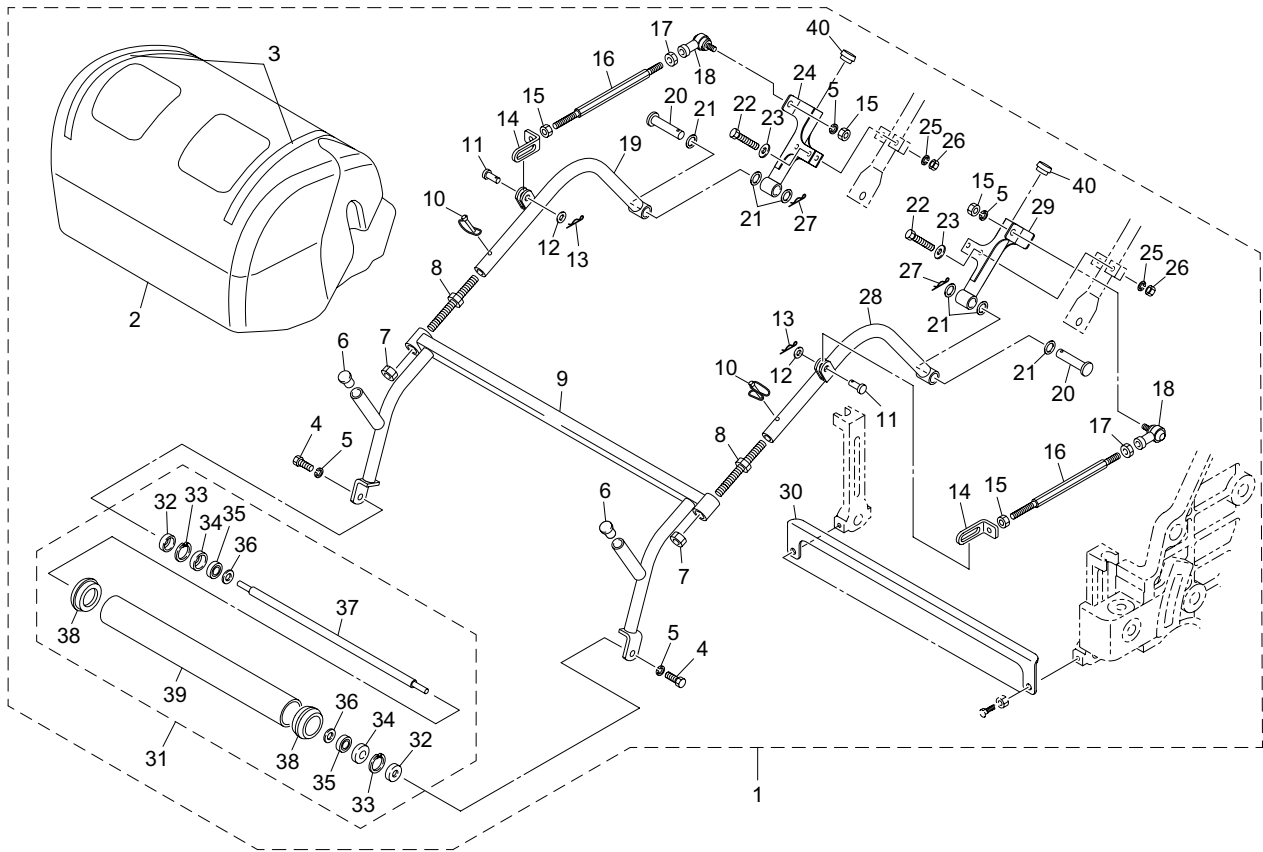
LM56GC_22_z02

Cat No.	Code No.	Part name	Qty		Remark	SN of application
			LM56	LM66		
22 - 1	LM56GB-7120Z0	ARM ASSY, GRASS CATCHER	1	0		
22 - 2	LM101--0820A0	GRASS CATCHER COMP	1	0		
22 - 3	K0000100202	BOLT, M10-20	2	0		
22 - 4	K0200100002	WASHER, SPRING M10	4	0		
22 - 5	K1310000060	CAP, 12.7	2	0		
22 - 6	K0100160002	NUT, M16	2	0		
22 - 7	LM56GB-7104Z2	SHAFT, W/M16 THREAD	2	0		
22 - 8	LM56GB-7101ZD	ARM, GRASS CATCHER	1	0		
22 - 9	K0450000030	PIN, PIPE 4.5	2	0		
22 - 10	K6031100258	PIN, FLAT HEAD HT M10-25	2	0		
22 - 11	K5000100002	WASHER, M10	2	0		
22 - 12	K0331000008	PIN, SNAP M10	2	0		
22 - 13	LM56GB-7108Z2	ANGLE	2	0		
22 - 14	K0100100002	NUT, M10	4	0		
22 - 15	LM56GB-7109Z2	ROD	2	0		
22 - 16	K0180100002	NUT, LEFT-HANDED M10	2	0		
22 - 17	K16041000L0	JOINT, SPHERICAL LHSA10DLE146	2	0		
22 - 18	LM56GB-7103ZD	ARM, (RH)	1	0		
22 - 19	LM56GB-7107Z2	PIN, FLAT HEAD M16-70	2	0		
22 - 20	K5051016240	WASHER, C5191P 1-16-24	6	0		
22 - 21	K0000080402	BOLT, M8-40	4	0		
22 - 22	K5000080002	WASHER, M8	4	0		
22 - 23	LM56GB-7106ZD	FITTING, (RH)	1	0		
22 - 24	K0200080002	WASHER, SPRING M8	4	0		
22 - 25	K0100080002	NUT, M8	4	0		
22 - 26	K0331300008	PIN, SNAP M13	2	0		
22 - 27	LM56GB-7102ZD	ARM, (LH)	1	0		
22 - 28	LM56GB-7105ZD	FITTING, (LH)	1	0		
22 - 29	LM56GB-7110ZD	PLATE, AUXILIARY	1	0		
22 - 30	LM54G--0810B0	ROLLER ASSY, 590	1	0		



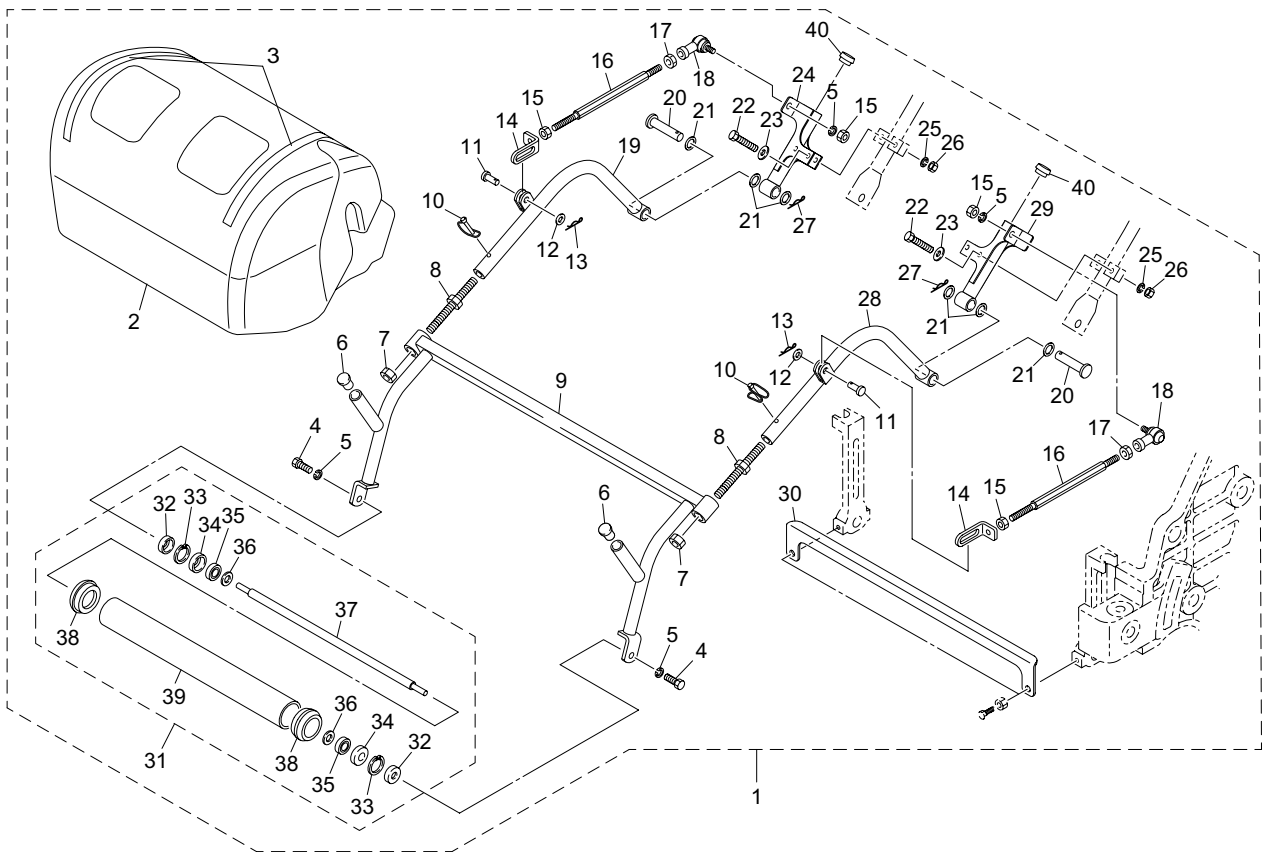
LM56GC_22_z02

Cat No.	Code No.	Part name	Qty		Remark	SN of application
			LM56	LM66		
22 - 31	K0861000020	OIL SEAL, TA1542.38	2	0		
22 - 32	K0402042001	RING, RETAINING R M42	2	0		
22 - 33	K0861000030	OIL SEAL, 6202	2	0		
22 - 34	K0616062020	BEARING, BALL SEAL 2NSEC3 6202	2	0		
22 - 35	K5051015280	WASHER, C5191P 1-15-28	2	0		
22 - 36	K6131000060	SHAFT, TAPPED ROLLER 651	1	0		
22 - 37	LM54GA-0812A0	HOUSING, ROLLER 60	2	0		
22 - 38	K6226000100	PIPE, ROLLER M55-605-60	1	0		
22 - 39	K0900300140	GROMMET, W/SEALING C30SG14A	2	0		
22 - 40	K4209001230	DECAL, ALIGNMENT 10300 (2 PCS)	1	0	set of 2PCS	



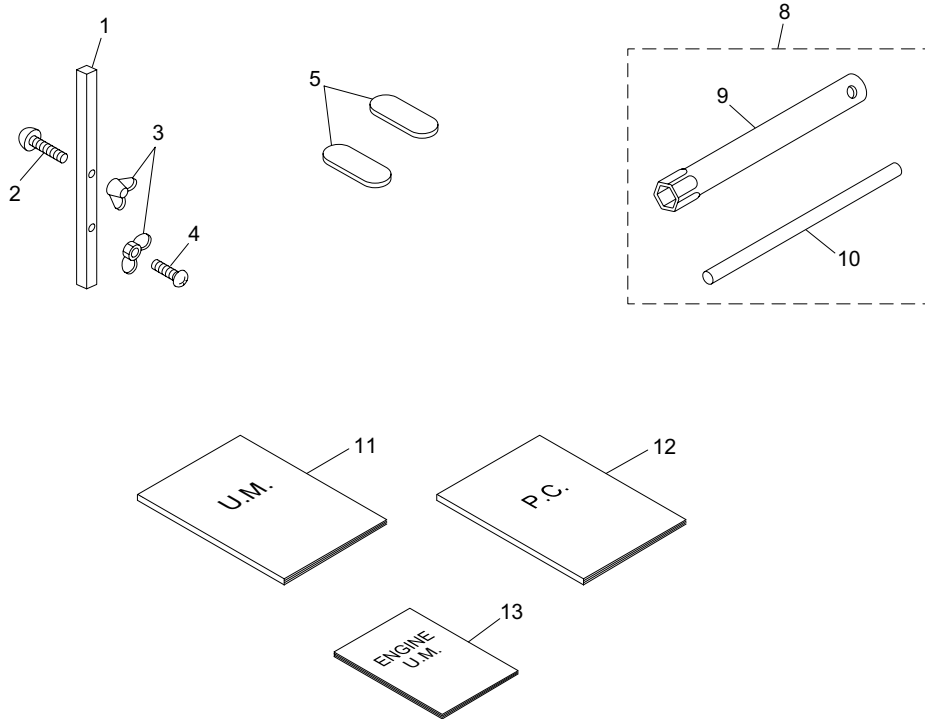
LM56GC_23_z01

Cat No.	Code No.	Part name	Qty			Remark	SN of application
			LM18				
23 - 1	LM18GB-7120Z0	ARM, GRASS CATCHER	1				
23 - 2	LM18GB-7102Z0	GRASS CATCHER, 18B	1			set of 2PCS	
23 - 3	K4209001230	DECAL, ALIGNMENT 10300 (2 PCS)	1				
23 - 4	K0000100202	BOLT, M10-20	2				
23 - 5	K0200100002	WASHER, SPRING M10	4				
23 - 6	K1310000060	CAP, 12.7	2				
23 - 7	K0100160002	NUT, M16	2				
23 - 8	LM56GB-7104Z2	SHAFT, W/M16 THREAD	2				
23 - 9	LM18GB-7101ZD	ARM ASSY, GRASS CATCHER	1				
23 - 10	K0450000030	PIN, PIPE 4.5	2				
23 - 11	K6031100258	PIN, FLAT HEAD HT M10-25	2				
23 - 12	K5000100002	WASHER, M10	2				
23 - 13	K0331000008	PIN, SNAP M10	2				
23 - 14	LM56GB-7108Z2	ANGLE	2				
23 - 15	K0100100002	NUT, M10	4				
23 - 16	LM56GB-7109Z2	ROD	2				
23 - 17	K0180100002	NUT, LEFT-HANDED M10	2				
23 - 18	K16041000L0	JOINT, SPHERICAL LHSA10DLE146	2				
23 - 19	LM56GB-7103ZD	ARM, (RH)	1				
23 - 20	LM56GB-7107Z2	PIN, FLAT HEAD M16-70	2				
23 - 21	K5051016240	WASHER, C5191P 1-16-24	6				
23 - 22	K0000080402	BOLT, M8-40	4				
23 - 23	K5000080002	WASHER, M8	4				
23 - 24	LM56GB-7106ZD	FITTING, (RH)	1				
23 - 25	K0200080002	WASHER, SPRING M8	4				
23 - 26	K0100080002	NUT, M8	4				
23 - 27	K0331300008	PIN, SNAP M13	2				
23 - 28	LM56GB-7102ZD	ARM, (LH)	1				
23 - 29	LM56GB-7105ZD	FITTING, (LH)	1				
23 - 30	LM18GB-7110ZD	PLATE, AUXILIARY	1				



LM56GC_23_z01

Cat No.	Code No.	Part name	Qty			Remark	SN of application
			LM18				
23 - 31	LM18G--2903Z0	ROLLER ASSY, 60-490	1				
23 - 32	K0861000020	OIL SEAL, TA1542.38	2				
23 - 33	K0402042001	RING, RETAINING R M42	2				
23 - 34	K0861000030	OIL SEAL, 6202	2				
23 - 35	K0616062020	BEARING, BALL SEAL 2NSEC3 6202	2				
23 - 36	K5051015280	WASHER, C5191P 1-15-28	2				
23 - 37	LM18G--6803Z0	SHAFT, ROLLER 551	1				
23 - 38	LM54GA-0812A0	HOUSING, ROLLER 60	2				
23 - 39	LM18G--6804Z0	PIPE, ROLLER 55-60460	1				
23 - 40	K0900300140	GROMMET, W/SEALING C30SG14A	2				

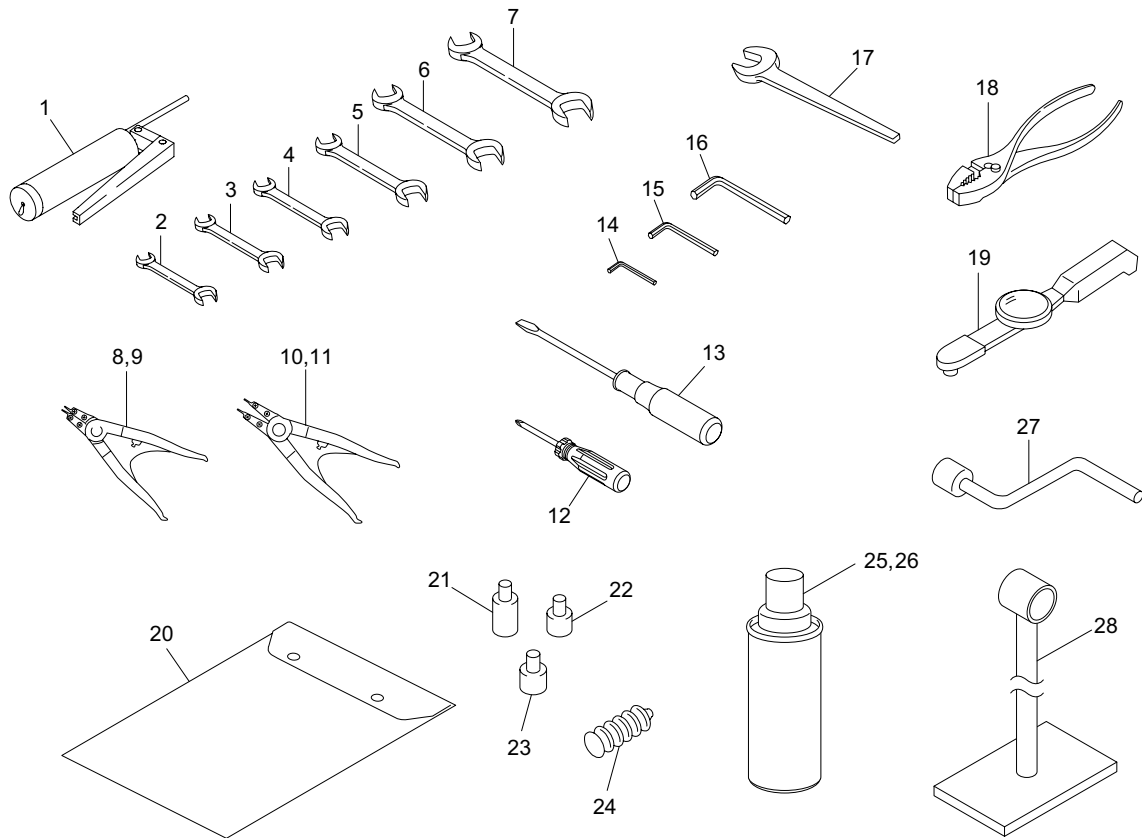


LM56GC_24_a01

Cat No.	Code No.	Part name	Qty			Remark	SN of application
			LM18	LM56	LM66		
24 - 1	K6090000072	GAUGE, CUTTING HEIGHT	1	1	1		
24 - 2	K0046060502	SCREW, + PAN HEAD M6-50	1	1	1		
24 - 3	K0141060002	NUT, WING M6-3	2	2	2		
24 - 4	K0046060302	SCREW, + PAN HEAD M6-30	1	1	1		
24 - 5	K4802000120	GAUGE, THICKNESS0.5	2	2	2		
24 - 6							
24 - 7							
24a- 8	K2655GX120U10	TOOL KIT, ENGINE GX120	1	1	1		
24a- 9	PBH89216-Z0T-800	WRENCH, SPARK PLUG	1	1	1		
24a- 10	PBH89219-805-000	BOX WRENCH, HANDLE	1	1	1		
24b- 11	750101-125-A	OWNERS OPERATING MANUAL, LM56GC SERIES	1	1	1		
24b- 12	750101-125-B	PARTS CATALOG, LM56GC SERIES	1	1	1		
24a- 13	K2655GX120U01	OPERATORS MANUAL, ENGINE GX120	1	1	1		
24a- 14							
24a- 15							
24a- 16							

25. Optional tools

LM18GC•LM56GC•LM66TC



LM56GC_25_z01

Cat No.	Code No.	Part name	Qty			Remark	SN of application
			LM18	LM56	LM66		
25 - 1	K4850000022	GREASE GUN	1	1	1		
25 - 2	K4810070082	WRENCH, 7*8	1	1	1		
25 - 3	K4810080102	WRENCH, 8*10	1	1	1		
25 - 4	K4810100122	WRENCH, 10*12	1	1	1		
25 - 5	K4810130172	WRENCH, 13*17	1	1	1		
25 - 6	K4810190222	WRENCH, 19*22	1	1	1		
25 - 7	K4810220242	WRENCH, 22*24	1	1	1		
25 - 8	K4802000400	TOOL, STOP RING PLIERS ST-1	1	1	1		
25 - 9	K4802000410	TOOL, STOP RING PLIERS ST-2	1	1	1		
25 - 10	K4802000420	TOOL, STOP RING PLIERS RT-2	1	1	1		
25 - 11	K4802000430	TOOL, STOP RING PLIERS RT-2N	1	1	1		
25 - 12	K4820000010	SCREWDRIVER, +/-	1	1	1		
25 - 13	K4820000020	SCREWDRIVER, - 200	1	1	1		
25 - 14	K4813020001	SPANNER, HEX PIN 2	1	1	1		
25 - 15	K4813040001	SPANNER, HEX PIN 4	1	1	1		
25 - 16	K4813050001	SPANNER, HEX PIN 5	1	1	1		
25 - 17	K4811240002	WRENCH, SINGLE HEAD 24	1	1	1		
25 - 18	K4830000032	PLIERS, 135	1	1	1		
25 - 19	K4802000370	TOOL, TORQUE WRENCH 6-60	1	1	1		
25 - 20	K4801000050	BAG, TOOL (BIG)	1	1	1		
25 - 21	K4802000364	TOOL, SOCKET ADAPTER 9.5*12.7	1	1	1		
25 - 22	K4802000354	TOOL, SOCKET ADAPTER 6.35*9.5	1	1	1		
25 - 23	K4816006130	SOCKET, HEX 6.35-13	1	1	1		
25 - 24	K2931000400	GREASE, EXCELITE EP NO.2 (400G)	1	1	1		
25 - 25	750301	SPRAY, LACQUER WINE RED	1	1	1		
25 - 26	750304	SPRAY, LACQUER DARK GRAY	1	1	1		
25 - 27	K4802000382	TOOL, LAPPING HANDLE	1	1	1		
25 - 28	LM54GB-0901ZD	STAND, FOR MAINTENANCE	1	1	1		

MEMO

BARONESS[®]
Quality on Demand

 **KYOEISHA CO., LTD.**
Head Office 1-26, Miyuki-cho, Toyokawa-city, Tel :+81-533-84-1390
Aichi-pref, 442-8530 JAPAN Fax :+81-533-84-1220