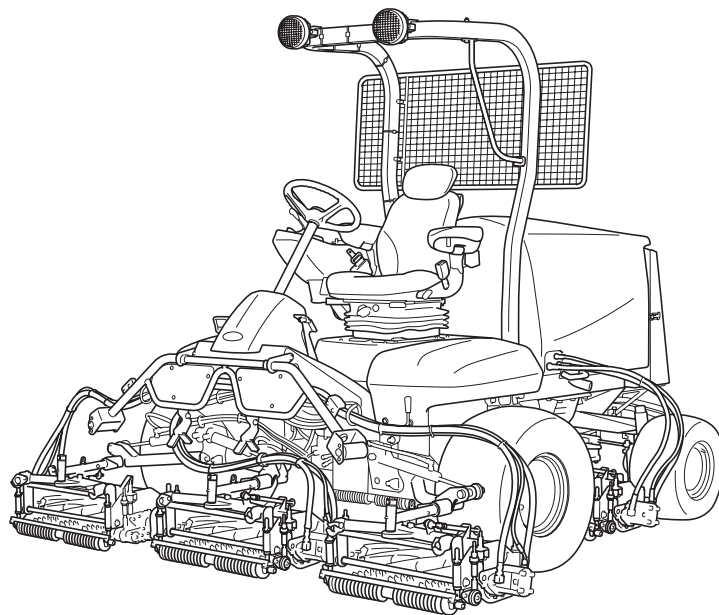


LM551A

5-Unit Reel Mower

Parts catalog



BARONESS[®]
Quality on Demand

Greeting

Thank you for purchasing Baroness machine.

This machine has been shipped from the factory after comprehensive test runs and inspections. However, the optimum performance of the machine depends on how you use and maintain it, including routine inspections, adjustments, and fuel supplies before and after the operation.

We hope you will use the machine safely, and take advantage of its best performance.

Note

(For inquiry about this machine)

Since the type of machine may be changed sequentially, inform us of the type and the serial number.

The information described in this manual is subject to change without prior notice.

When replacing parts, be sure to use Baroness parts or parts designated by Kyo-eisha.

Note that the Baroness product warranty may not apply to defects caused by the use of parts from other companies.

(For ordering parts)

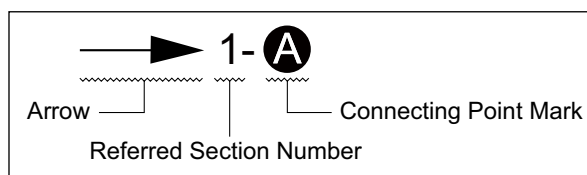
For prevention of delivery of wrong parts, be sure to inform us of the code number and the part name.

Example:	Code No.	Part Name	Qty
	K0200100002	WASHER, SPRING M10	8

<Indication of the connecting point shown on the other page>

(Example and description)


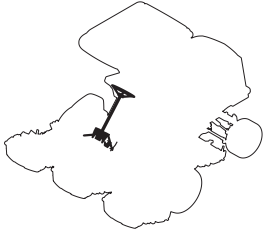

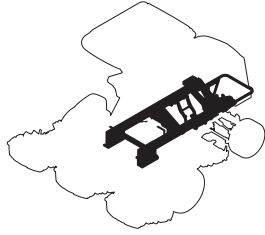

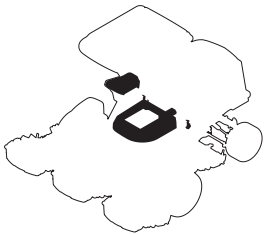

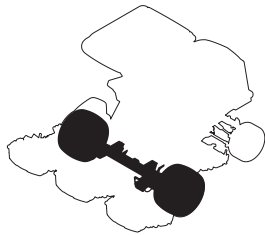
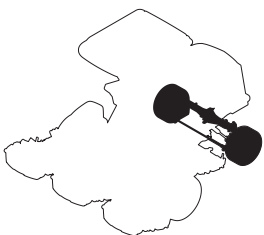


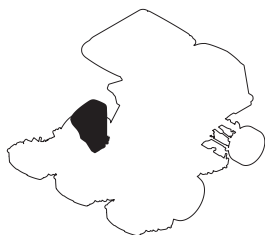








The following indication shows the connecting point of the part shown on the other page.


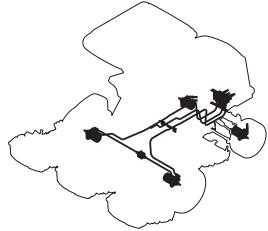


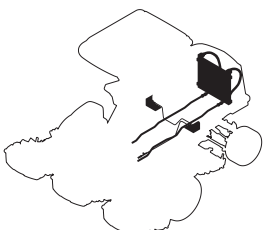

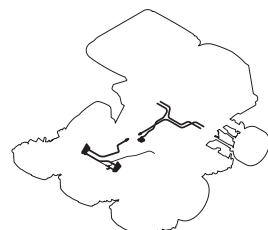








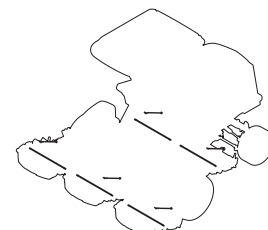

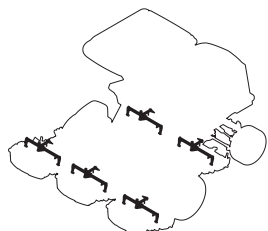

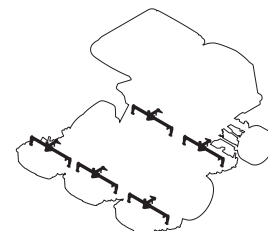



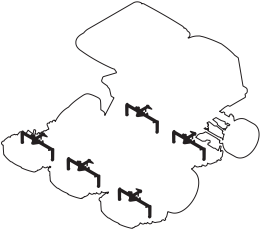
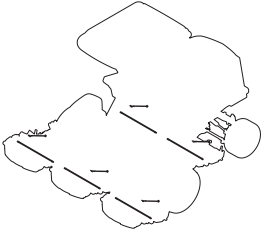
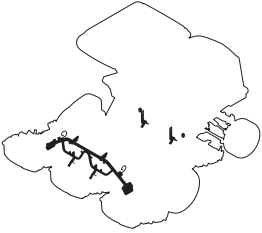
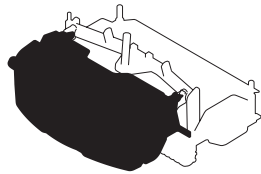
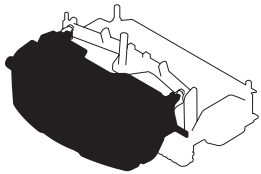
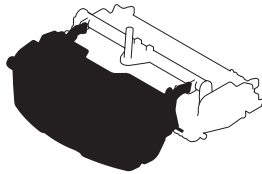
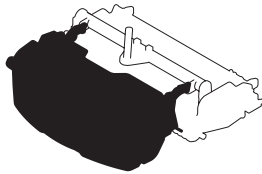
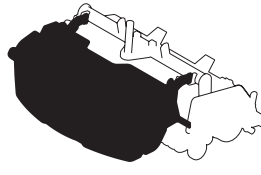
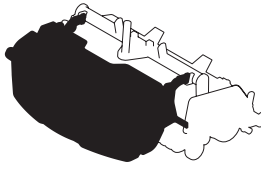
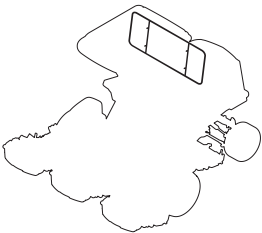
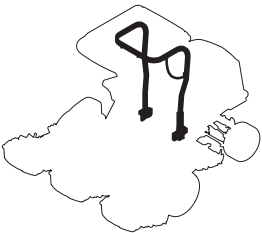
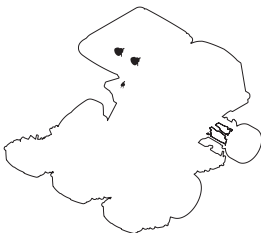

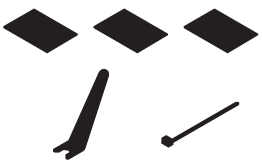
→ 1- **A** : Refer to the point **A** in the illustration of the section No.1

→ 2- **B** : Refer to the point **B** in the illustration of the section No.2

Contents

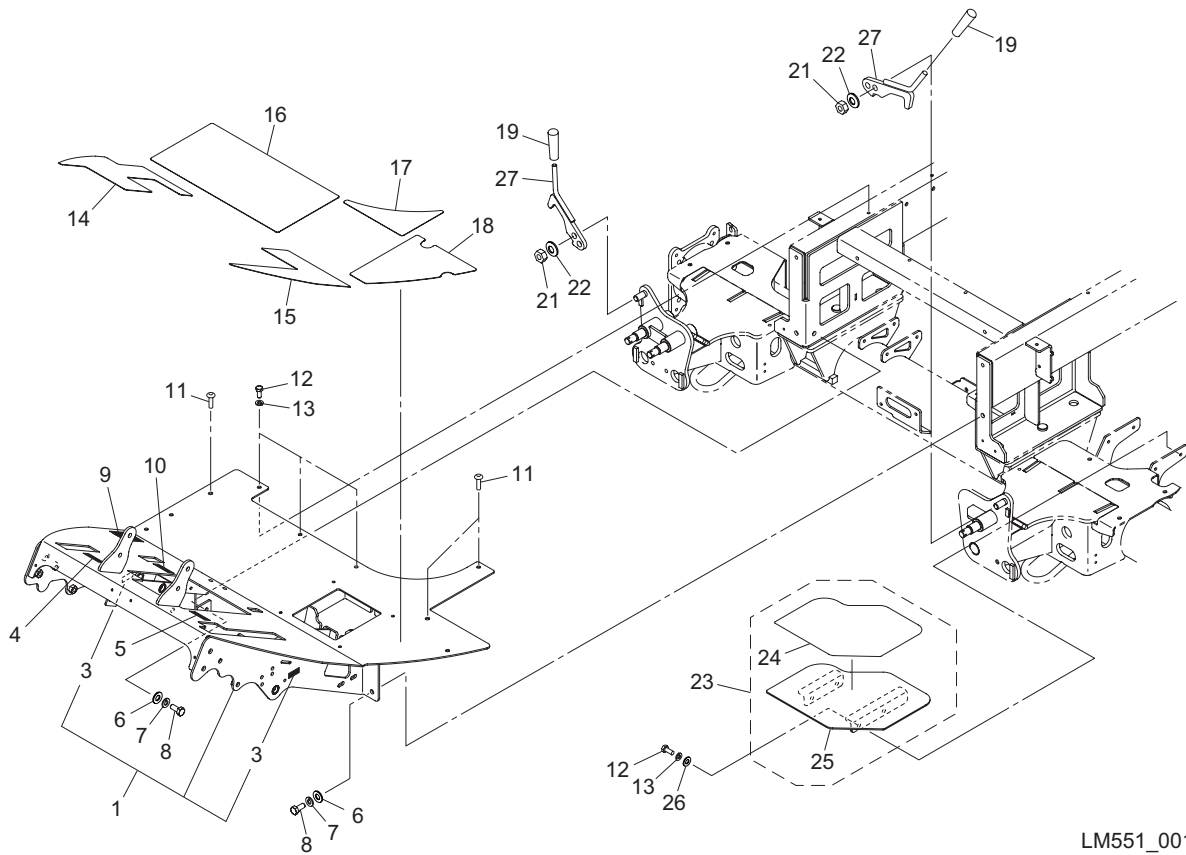
1.Frame section A (Step).....4	2.Frame section B (Steering).....5	3.Frame section C (Seat).....6	4.Frame section D (Frame).....8
			
5.Cover section A.....9	6.Cover section B10	7.Cover section C11	8.Front wheel section12
			
9.Rear wheel section13	10.Pedal section A.....15	11.Pedal section B17	12.Fuel tank section A19
			
13.Fuel tank section B20	14.Engine section A.....21	15.Engine section B.....23	16.Engine section C25
			
17.Engine section D27	18.Engine section E.....29	19.Engine section F31	20.Hydraulic section A32
			

<p>21.Hydraulic section B.....34</p> 	<p>22.Hydraulic section C.....36</p> 	<p>23.Hydraulic section D.....38</p> 	<p>24.Hydraulic section E.....40</p> 
<p>25.Hydraulic section F41</p> 	<p>26.Hydraulic section G42</p> 	<p>27.Hydraulic section H.....44</p> 	<p>28.Hydraulic section I45</p> 
<p>29.Hydraulic section J46</p> 	<p>30.Hydraulic section K.....47</p> 	<p>31.Lift arm section A (22inch).....48</p> 	<p>32.Lift arm section B (22inch).....50</p> 
<p>33.Lift arm section A (26inch).....52</p> 	<p>34.Lift arm section B (26inch).....54</p> 	<p>35.Mower arm section A (LH62).....56</p> 	<p>36.Mower arm section B (LH62).....57</p> 
<p>37.Mower arm section C (LH62).....58</p> 	<p>38.Mower arm section A (LS62).....59</p> 	<p>39.Mower arm section B (LS62).....60</p> 	<p>40.Mower arm section A (LS66).....61</p> 

<p>41.Mower arm section B (LS66).....62</p> 	<p>42.Mower arm section A (LH52).....64</p> 	<p>43.Mower arm section B (LH52).....65</p> 	<p>44.Mower arm section C (LH52).....66</p> 
<p>45.Basket section A (LH62) #3·4.....67</p> 	<p>46.Basket section B (LH62) #1·2·5.....68</p> 	<p>47.Basket section A (LS62·LS66) #3·4.....69</p> 	<p>48.Basket section B (LS62·LS66) #1·2·5.....70</p> 
<p>49.Basket section A (LH52) #3·4.....71</p> 	<p>50.Basket section B (LH52) #1·2·5.....72</p> 	<p>51.Ball proof net section73</p> 	<p>52.ROPS section74</p> 
<p>53.Light section75</p> 	<p>54.Roof section.....76</p> 	<p>55.Accessory section.....77</p> 	

1.Frame section A (Step)

LM551A

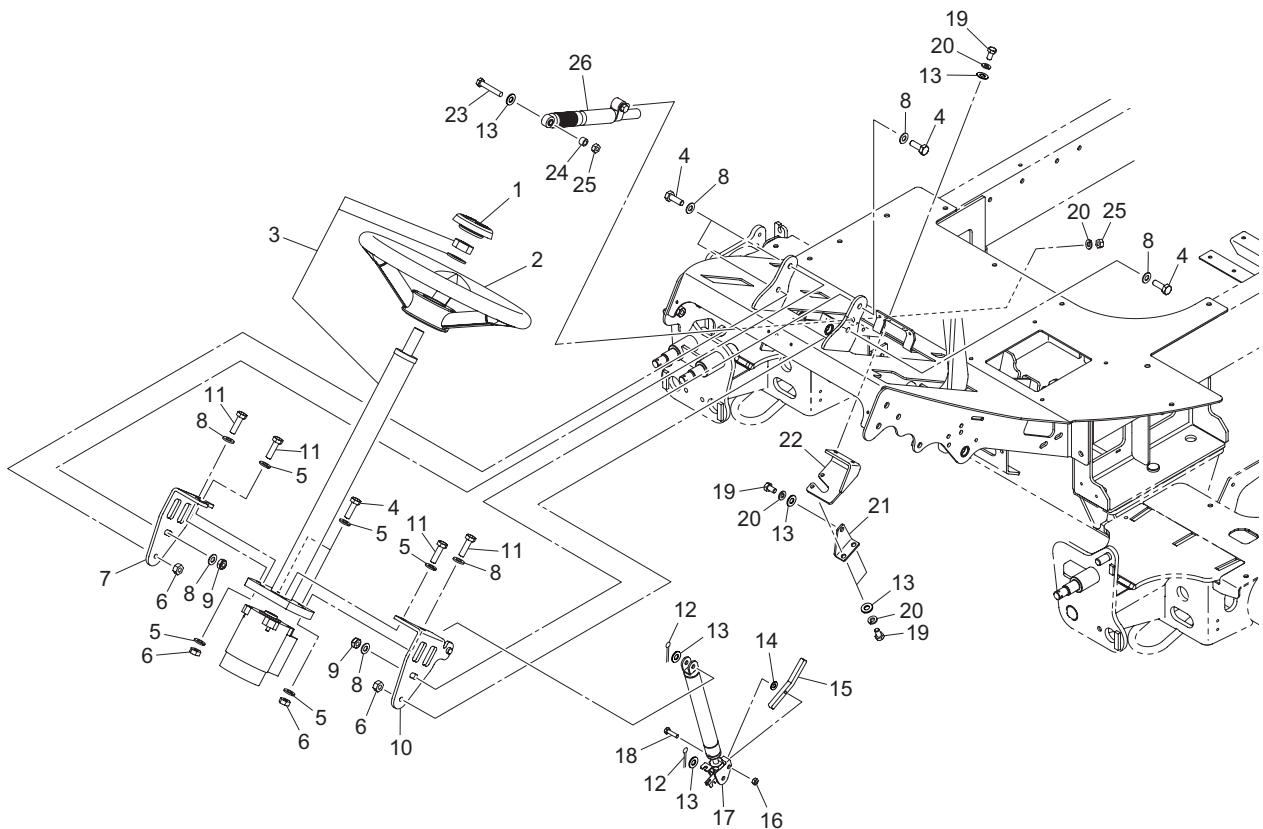


LM551_001_z02

Cat No.	Code No.	Part name	Qty	Remark	SN of application
1-1	LM551--0612Z0	STEP COMP	1		
1-2					
1-3	K4205001900	DECAL, CAUTION MOWER LOCK	2		
1-4	K4203001430	DECAL, FORWARD	1		
1-5	K4203001450	DECAL, BRAKE	1		
1-6	K5000100002	WASHER, M10	6		
1-7	K0200100002	WASHER, SPRING M10	6		
1-8	K0000100252	BOLT, M10-25	6		
1-9	K4203001660	DECAL, ENGINE ROTATION	1		
1-10	K4203001440	DECAL, BACKWARD	1		
1-11	K0062080122	BOLT, BUTTON HEAD W/HEX HOLE M8-12	3		
1-12	K0000080202	BOLT, M8-20	7		
1-13	K0200080002	WASHER, SPRING M8	7		
1-14	LM551--0627Z0	SHEET, NONSKID FOR STEP F	1		
1-15	LM551--0626Z0	SHEET, NONSKID FOR STEP E	1		
1-16	K4400000150	SHEET, NONSKID STEP 200410	1		
1-17	LM551--0615Z0	SHEET, NONSKID FOR STEP A	1		
1-18	LM551--0631Z0	SHEET, NONSKID FOR STEP B	1		
1-19	K1300000110	GRIP, RUBBER YELLOW 9-22	2		
1-20					
1-21	K0145140002	NUT, W/F-RING M14 P1.5	2		
1-22	K0210140002	SPRING, CONICAL DISC L M14	2		
1-23	LM551--0608Z0	STEP COMP, GETTING ON & OFF	1		
1-24	LM551--0609Z0	SHEET, GETTING ON & OFF STEP	1		
1-25	LM551--0610ZD	STEP, GETTING ON & OFF	1		
1-26	K5000080002	WASHER, M8	4		
1-27	LM551--0671ZD	LEVER, LOCKING MOWER	2		

2.Frame section B (Steering)

LM551A

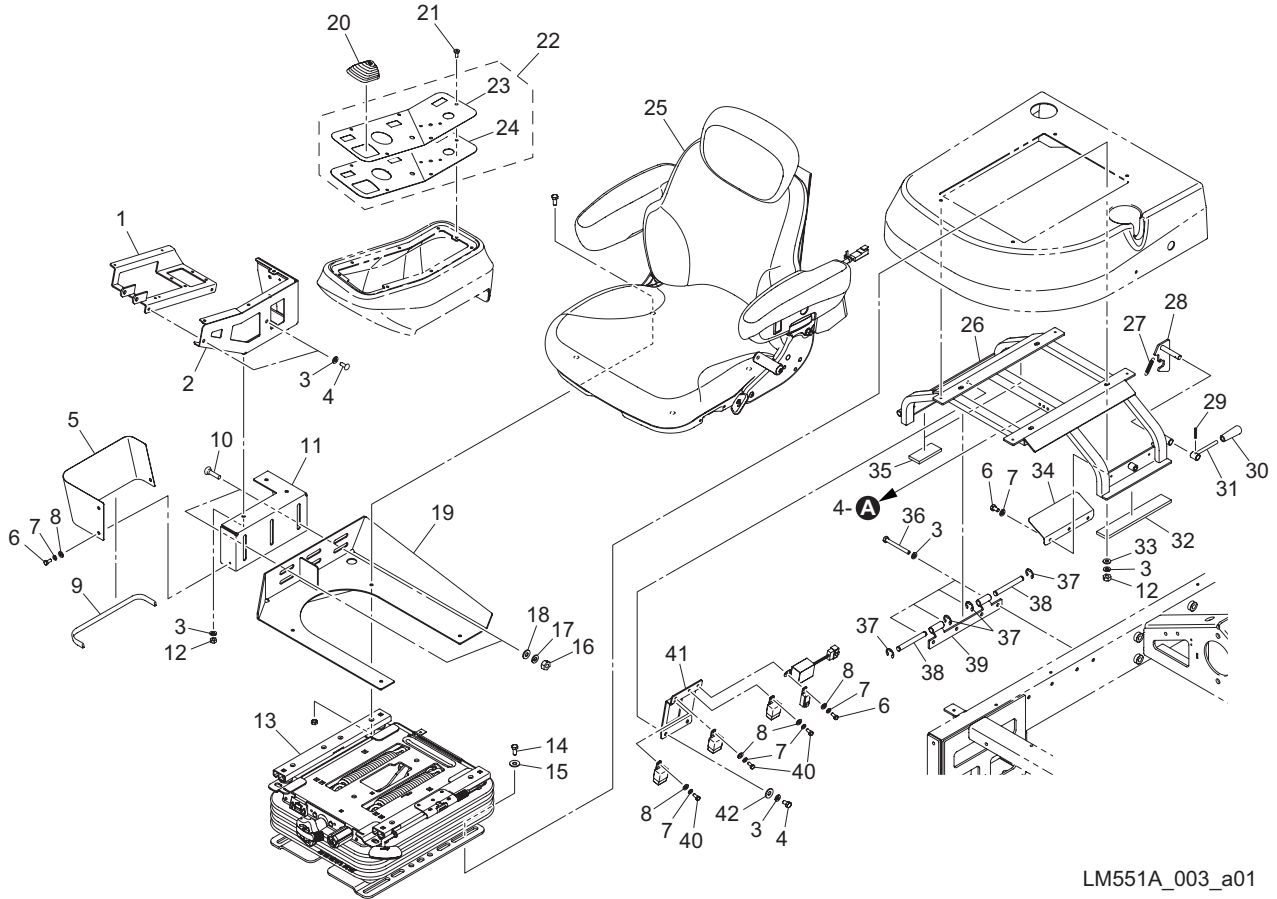


LM551_002_z01

Cat No.	Code No.	Part name	Qty	Remark	SN of application
2-1	K1310000130	CAP, RUBBER	1		
2-2	K1710000100	STEERING, V02722-0101A	1		
2-3	K1730000080	SHAFT, COLUMN 540	1		
2-4	K0000100302	BOLT, M10-30	6		
2-5	K0200100002	WASHER, SPRING M10	6		
2-6	K0100100002	NUT, M10	4		
2-7	LM551--0618ZD	STAY, COLUMN (RH)	1		
2-8	K5000100002	WASHER, M10	8		
2-9	K0144100002	NUT, W/F-RING M10	2		
2-10	LM551--0619ZD	STAY, COLUMN (LH)	1		
2-11	K0000100352	BOLT, M10-35	4		
2-12	K0300020202	PIN, COTTER M2-20	2		
2-13	K5000080002	WASHER, M8	8		
2-14	K5012306162	WASHER, SPCC 2.3-6-16	1		
2-15	LM551--0624Z2	LEVER, TILT	1		
2-16	K0144050002	NUT, W/F-RING, M5	1		
2-17	K3381000040	GAS-SPRING, FLF90-25	1		
2-18	K0000050252	BOLT, M5-25	1		
2-19	K0000080152	BOLT, M8-15	5		
2-20	K0200080002	WASHER, SPRING M8	6		
2-21	LM551--0621ZD	STOPPER, CABLE	1		
2-22	LM551--0623ZD	BRACKET, PP WIRE (FRONT)	1		
2-23	K0000080452	BOLT, M8-45	1		
2-24	K6212000982	COLLAR, STKM M8.5-14-9.5	1		
2-25	K0100080002	NUT, M8	2		
2-26	K3380000010	DAMPER, FOR LEVER	1		

3.Frame section C (Seat)

LM551A

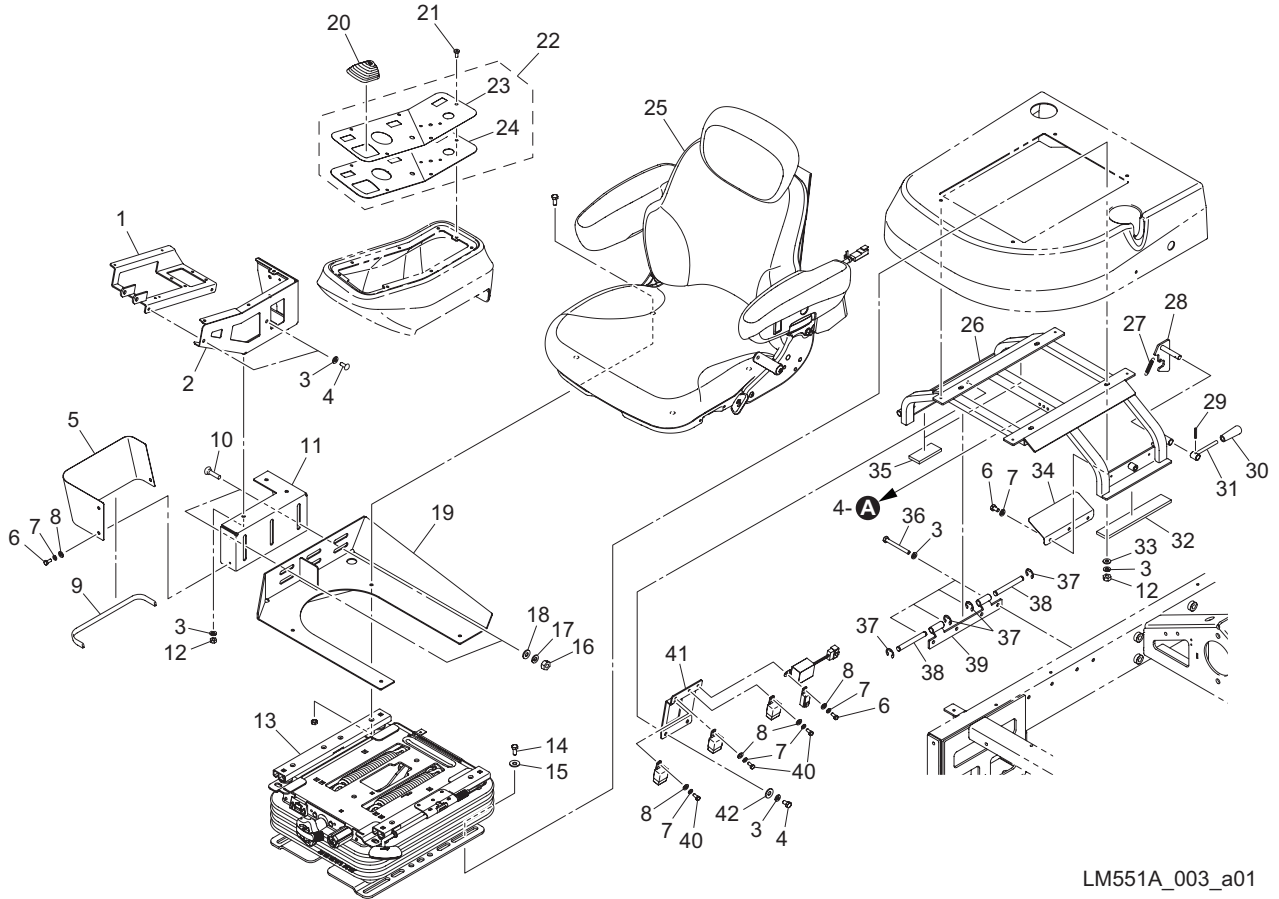


LM551A_003_a01

Cat No.	Code No.	Part name	Qty	Remark	SN of application
3-1	LM551--0641Z2	BRACKET, VALVE	1		
3-2	LM551--0614ZD	METAL, CONTROL ARM	1		
3-3	K0200080002	WASHER, SPRING M8	15		
3-4	K0000080152	BOLT, M8-15	4		
3-5	LM551--0643ZD	COVER, CONTROL ARM BRACKET	1		
3-6	K0000060152	BOLT, M6-15	6		
3-7	K0200060002	WASHER, SPRING M6	9		
3-8	K5000060002	WASHER, M6	6		
3-9	K3197003900	TRIM, AL 75-16-390	1		
3-10	K0025100302	BOLT,CARRIAGE M10-30	2		
3-11	LM551--0644ZD	BRACKET, CONTROL ARM	1		
3-12	K0100080002	NUT, M8	7		
3-13	K1701000160	SUSPENSION, SGA18125	1		
3-14	K0000080252	BOLT, M8-25	4		
3-15	K5012308262	WASHER, SPCC 2.3-8-26	4		
3-16	K0100100002	NUT, M10	2		
3-17	K0200100002	WASHER, SPRING M10	2		
3-18	K5000100002	WASHER, M10	2		
3-19	LM551--0613ZD	FULCRUM, ARM	1		
3-20	LM551--0654Z0	BOOT, LEVER	1		
3-21	K0069000299	BOLT, FLAT HEAD W/HEX HOLE M6-16	5		
3-22	LM551--0638Z0	MOUNT COMP, INSTRUMENT (E4)	1		
3-23	LM551--0640Z0	STICKER, OPERATION (E4)	1		
3-24	LM551--0639ZD	MOUNT, INSTRUMENT (E4)	1		
3-25	K1700000430	SEAT COMP, SGA18124	1		
3-26	LM551--0611ZD	MOUNT, SEAT	1		
3-27	K1030000098	SPRING, W/U HOOK M1.6-12-66.8	1		
3-28	LM551--0645Z2	BRACKET, SEAT LOCK	1		
3-29	K0320030161	PIN, SPRING M3-16	1		
3-30	K1300000180	GRIP, RUBBER BLACK 7-23	1		

3.Frame section C (Seat)

LM551A

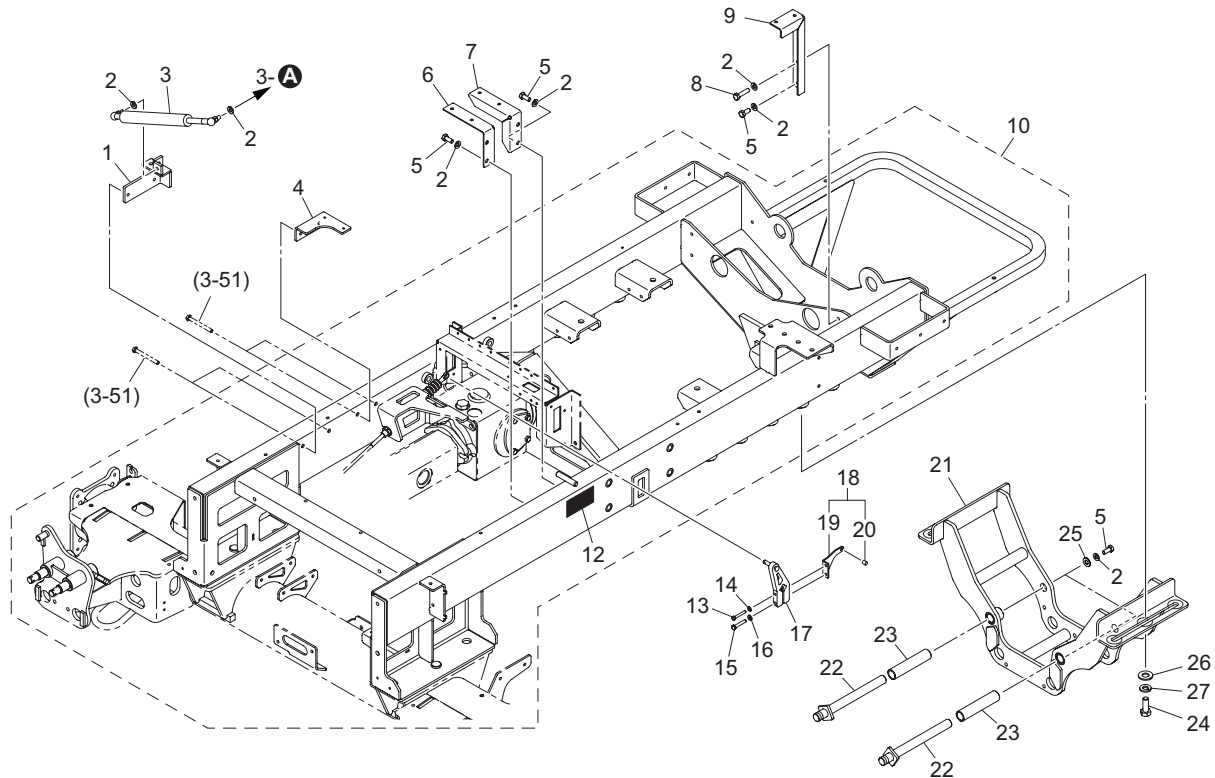


LM551A_003_a01

Cat No.	Code No.	Part name	Qty	Remark	SN of application
3-31	LM551--0646Z2	LEVER, RELEASE	1		
3-32	K4033000630	RUBBER, PLATE 6-20235	1		
3-33	K5000080002	WASHER, M8	4		
3-34	LM551--0650ZD	COVER, WATERPROOF	1		
3-35	K4033000420	RUBBER, PLATE 5-3045	2		
3-36	K0003080702	BOLT, M8-70	4		
3-37	K0400010002	RING, RETAINING E M10	4		
3-38	LM551--0635Z2	SHAFT, FALCRUM 12-101.5	2		
3-39	LM551--0633ZD	FALCRUM	1		
3-40	K0000060102	BOLT, M6-10	3		
3-41	LM551--0655ZD	BRACKET, RELAY	1		
3-42	K5012308182	WASHER, SPCC 2.3-8-18	2		
3a-43					

4.Frame section D (Frame)

LM551A

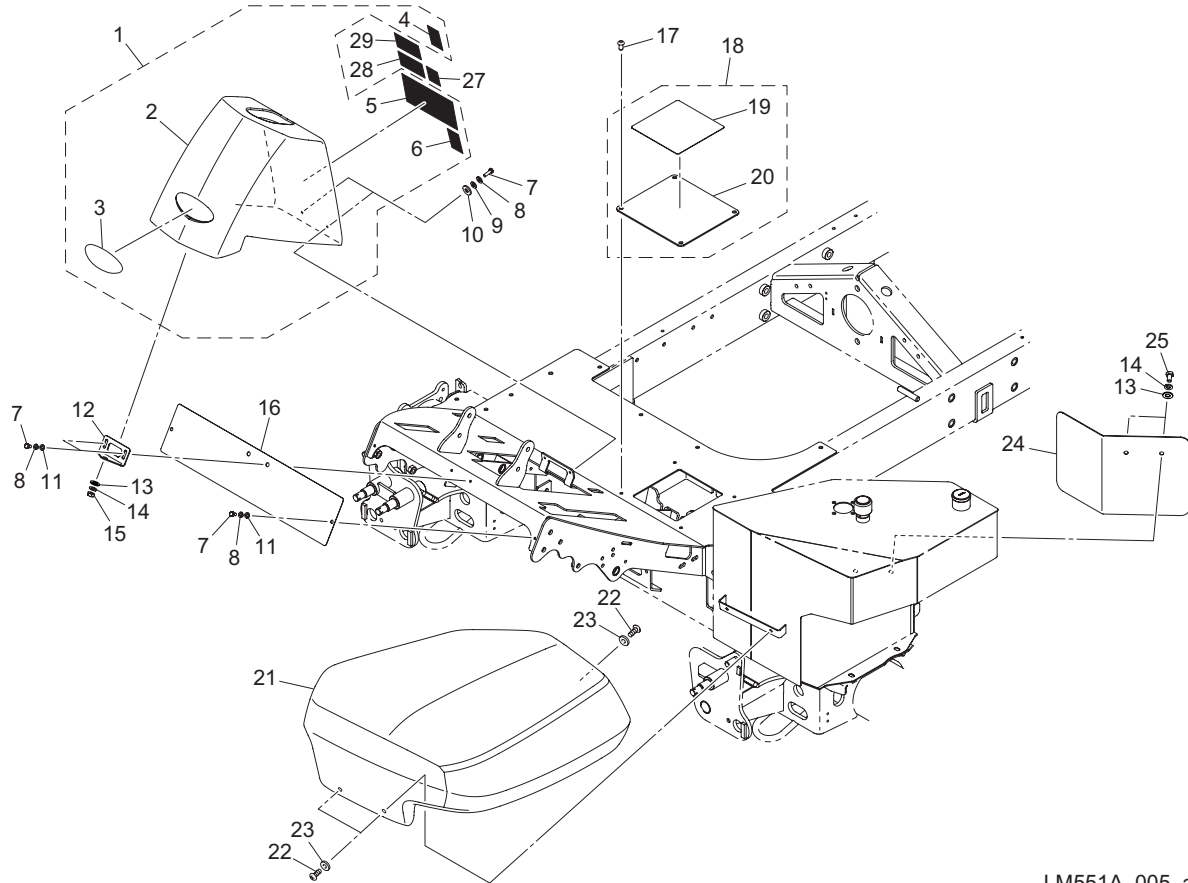


LM551_004_z01

Cat No.	Code No.	Part name	Qty	Remark	SN of application
4-1	LM551--0642ZD	FALCRUM, GAS SPRING	1		
4-2	K0200080002	WASHER, SPRING M8	10		
4-3	K3381000010	GAS-SPRING, C25	1		
4-4	LM551--0634ZD	BRACKET, FUEL PUMP	1		
4-5	K0000080202	BOLT, M8-20	7		
4-6	LM551--0636ZD	STAY, RELAY BOX B	1		
4-7	LM551--0616ZD	STAY, RELAY BOX A	1		
4-8	K0000080302	BOLT, M8-30	1		
4-9	LM551--0649ZD	BRACKET, FUEL FILTER	1		
4-10	LM551--0630Z0	FRAME COMP, MAIN	1		
4-11					
4-12	K4205001580	DECAL, CAUTION TO INJURE	1		
4-13	K0000050502	BOLT, M5-50	1		
4-14	K0200050002	WASHER, SPRING M5	1		
4-15	K0000060502	BOLT, M6-50	1		
4-16	K0200060002	WASHER, SPRING M6	1		
4-17	LM551--0617ZD	LEVER, TRANION	1		
4-18	LM551--0669Z0	LEVER COMP, PUMP	1		
4-19	LM551--0668Z2	LEVER, DETECTING PUMP NEUTRAL	1		
4-20	LM551--0667Z0	MAGNET, ANISOTROPIC FERRITE 8	1		
4-21	LM551--0604ZD	FRAME, REAR ARM	1		
4-22	LM551--0606Z2	SHAFT, FALCRUM CYLINDER	2		
4-23	LM551--0605Z2	PIPE, CYLINDER	2		
4-24	K0010120302	BOLT, HT P1.75 M12-30	6		
4-25	K5012308262	WASHER, SPCC 2.3-8-26	2		
4-26	K5073212352	WASHER, SPHC 3.2-12-35	6		
4-27	K0200120002	WASHER, SPRING M12	6		

5.Cover section A

LM551A

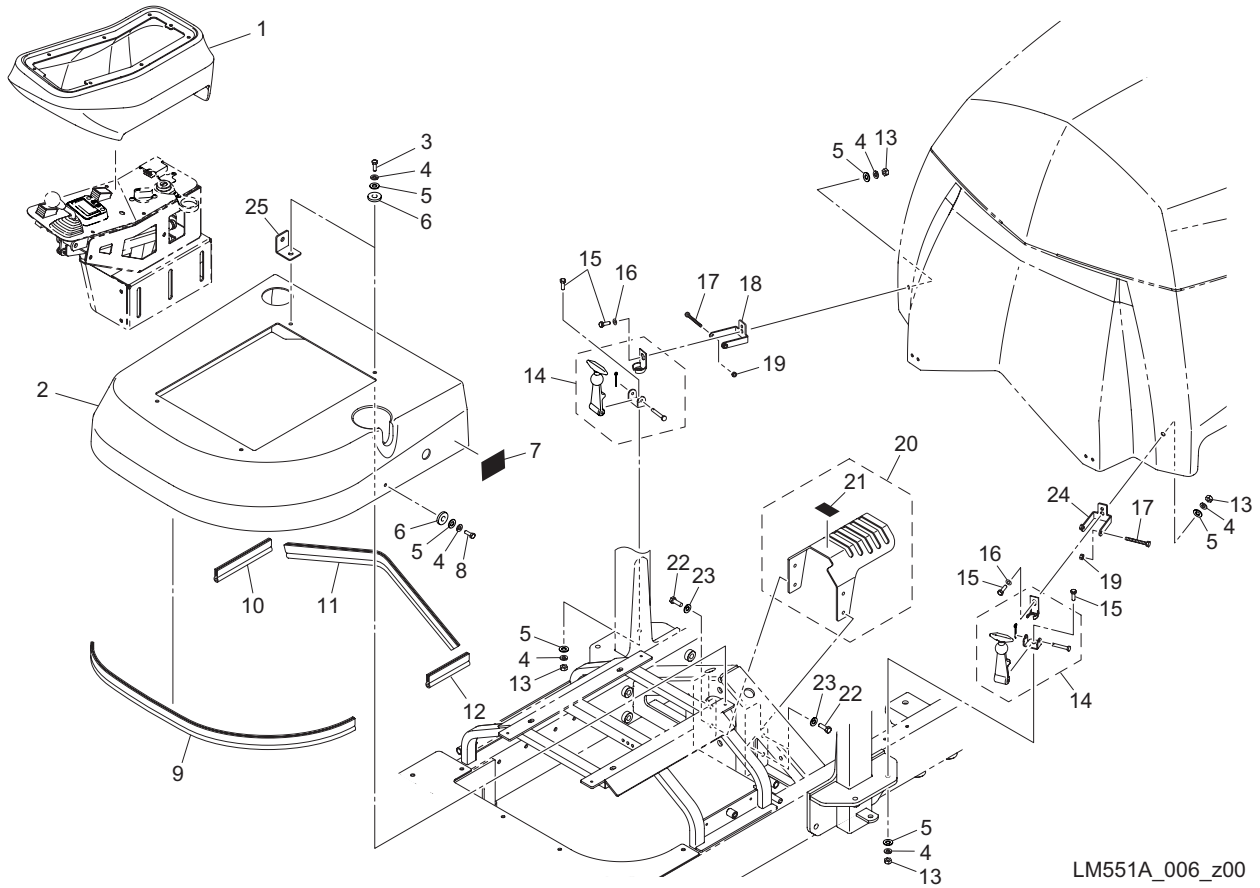


LM551A_005_a01

Cat No.	Code No.	Part name	Qty	Remark	SN of application
5-1	LM551--0922Z0	COVER ASSY, COLUMN	1		
5-2	LM551--0908Z0	COVER COMP, COLUMN	1		
5-3	K4201000570	STICKER, BARONESS	1		
5-4	K4203001700	DECAL, PARKING BRAKE	1		
5-5	LM2400-0918Z0	STICKER, OPERATION 2	1		
5-6	K4203001710	DECAL, TILT STEERING	1		
5-7	K0000060202	BOLT, M6-20	6		
5-8	K0200060002	WASHER, SPRING M6	6		
5-9	K5011606202	WASHER, SPCC 1.6-6-20	2		
5-10	K4030306200	RUBBER, WASHER 3-6.5-20	2		
5-11	K5000060002	WASHER, M6	4		
5-12	LM551--0913Z2	BRACKET, FRONT COVER	1		
5-13	K5000080002	WASHER, M8	3		
5-14	K0200080002	WASHER, SPRING M8	3		
5-15	K0100080002	NUT, M8	1		
5-16	LM551--0903ZD	COVER, UNDER FLOOR	1		
5-17	K0062080122	BOLT, BUTTON HEAD W/HEX HOLE M8-12	4		
5-18	LM551--0925Z0	COVER ASSY, STEP	1		
5-19	K4400000140	SHEET, NONSKID STEP 150150	1		
5-20	LM551--0914ZD	COVER, STEP	1		
5-21	LM551--0930Z0	COVER, HYDRAULIC TANK	1		
5-22	K0056080200	SCREW, SUS + TRUSS M8-20	3		
5-23	K4031000070	RUBBER, VIBRATION PROOF 5-825	3		
5-24	LM551--0931ZD	COVER, HYDRAULIC TANK (LOWER)	1		
5-25	K0000080152	BOLT, M8-15	2		
5a-26					
5a-27	K4205002090	DECAL, CAUTION TO NOISE	1		
5a-28	K4205002200	DECAL, WARNING SPARK ARRESTER	1		
5a-29	K4205002140	LABEL, WARNING CA P65 FOR RIDING MOWER	1		

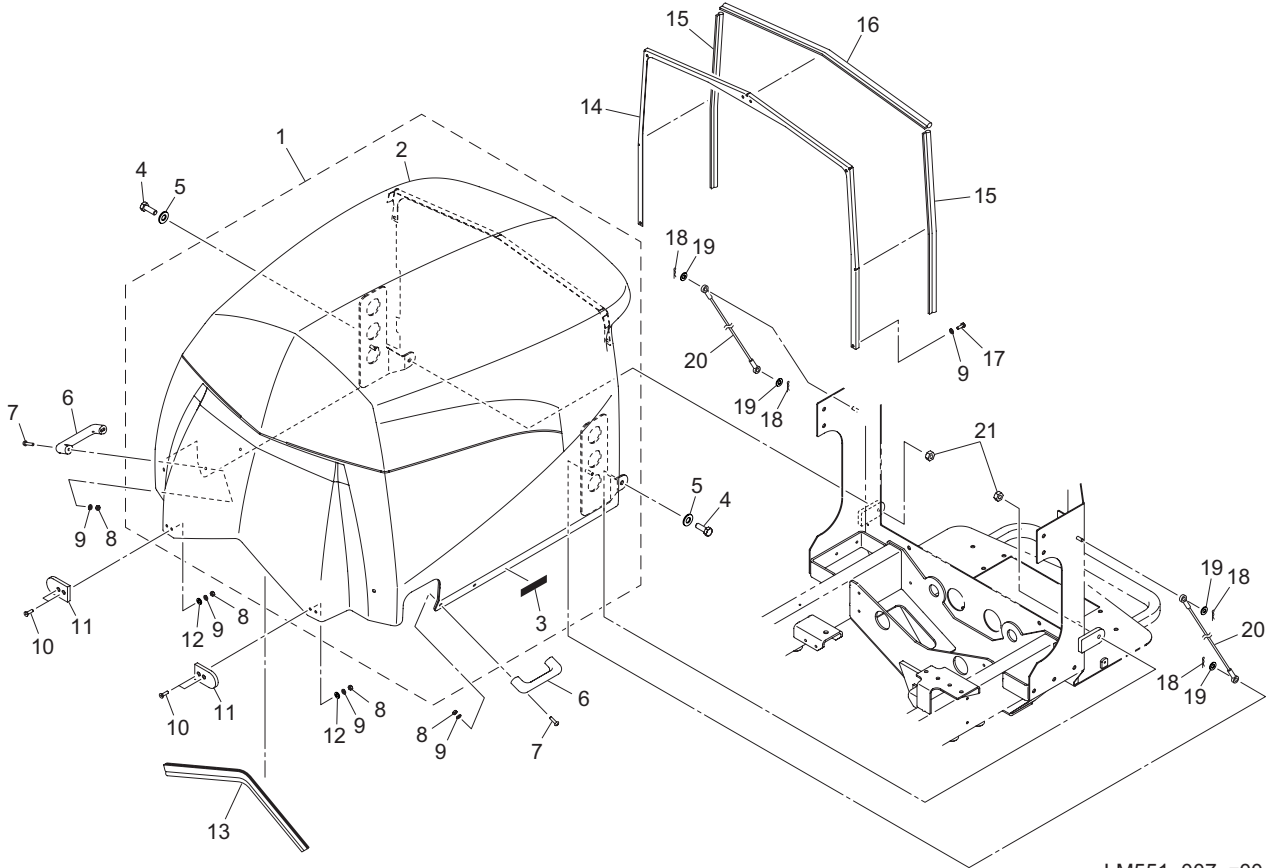
6.Cover section B

LM551A



LM551A_006_z00

Cat No.	Code No.	Part name	Qty	Remark	SN of application
6-1	LM551--0920Z0	COVER, CONTROL ARM	1		
6-2	LM551--0921Z0	COVER, SEAT BASE	1		
6-3	K0000060202	BOLT, M6-20	5		
6-4	K0200060002	WASHER, SPRING M6	10		
6-5	K5011606202	WASHER, SPCC 1.6-6-20	10		
6-6	K4030306200	RUBBER, WASHER 3-6.5-20	6		
6-7	K4203001720	DECAL, OPENING AND SHUTING LEVER	1		
6-8	K0000060402	BOLT, M6-40	1		
6-9	K3198108500	TRIM, SEAL TSLB240C-850	1		
6-10	K3198101650	TRIM, SEAL TSLB240C-165	1		
6-11	K3198105500	TRIM, SEAL TSLB240C-550	1		
6-12	K3198101300	TRIM, SEAL TSLB240C-130	1		
6-13	K0100060002	NUT, M6	4		
6-14	K1520000030	HOOK ASSY, RUBBER	2		
6-15	K0000060252	BOLT, M6-25	4		
6-16	K5000060002	WASHER, M6	2		
6-17	K0000060452	BOLT, M6-45	2		
6-18	K7355000722	FITTING, RUBBER CATCH LOCK (RH)	1		
6-19	K0144060002	NUT, W/F-RING M6	2		
6-20	LM551--0934Z0	COVER COMP, JOINT	1		
6-21	K4205002000	DECAL, CAUTION PTO	1		
6-22	K0000080202	BOLT, M8-20	4		
6-23	K0200080002	WASHER, SPRING M8	4		
6-24	K7355000702	FITTING, RUBBER CATCH LOCK	1		
6-25	LM551--0651ZD	BRACKET, CONNECTOR	1		

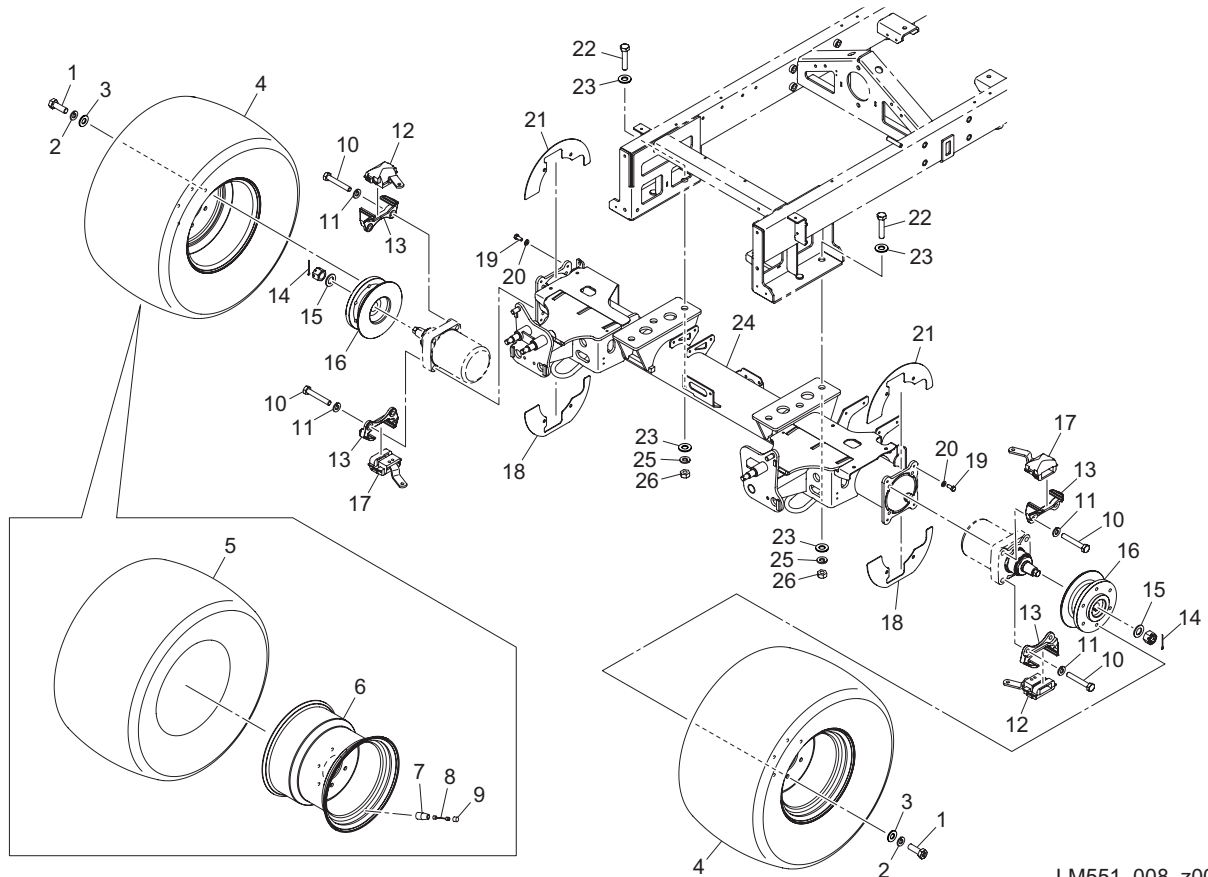


LM551_007_z00

Cat No.	Code No.	Part name	Qty	Remark	SN of application
7-1	LM551--0932A0	HOOD ASSY	1		
7-2	LM551--0905A0	HOOD COMP	1		
7-3	K4205001540	DECAL, CAUTION TO HOT PARTS	1		
7-4	K0000120302	BOLT, M12-30	2		
7-5	K5073212352	WASHER, SPHC 3.2-12-35	2		
7-6	K1301000160	GRIP, PLASTIC HANDLE	2		
7-7	K0042060252	SCREW, + ROUND HEAD M6-25	4		
7-8	K0100060002	NUT, M6	8		
7-9	K0200060002	WASHER, SPRING M6	14		
7-10	K0041060202	SCREW, + FLAT HEAD M6-20	4		
7-11	LM551--0909Z0	PLATE, GUIDE	2		
7-12	K5011606202	WASHER, SPCC 1.6-6-20	4		
7-13	K3198105600	TRIM, SEAL TSLB240C-560	1		
7-14	LM551--0919ZD	PLATE, HEAT PROTECTOR	1		
7-15	K3198005500	TRIM, SEAL 4100-16C-550	2		
7-16	K3198007900	TRIM, SEAL 4100-16C-790	1		
7-17	K0000060102	BOLT, M6-10	6		
7-18	K0340800002	PIN, SNAP W/RETAINER M8	4		
7-19	K5000080002	WASHER, M8	4		
7-20	K1170028000	CABLE, 280	2		
7-21	K0100120002	NUT, M12	2		

8.Front wheel section

LM551A

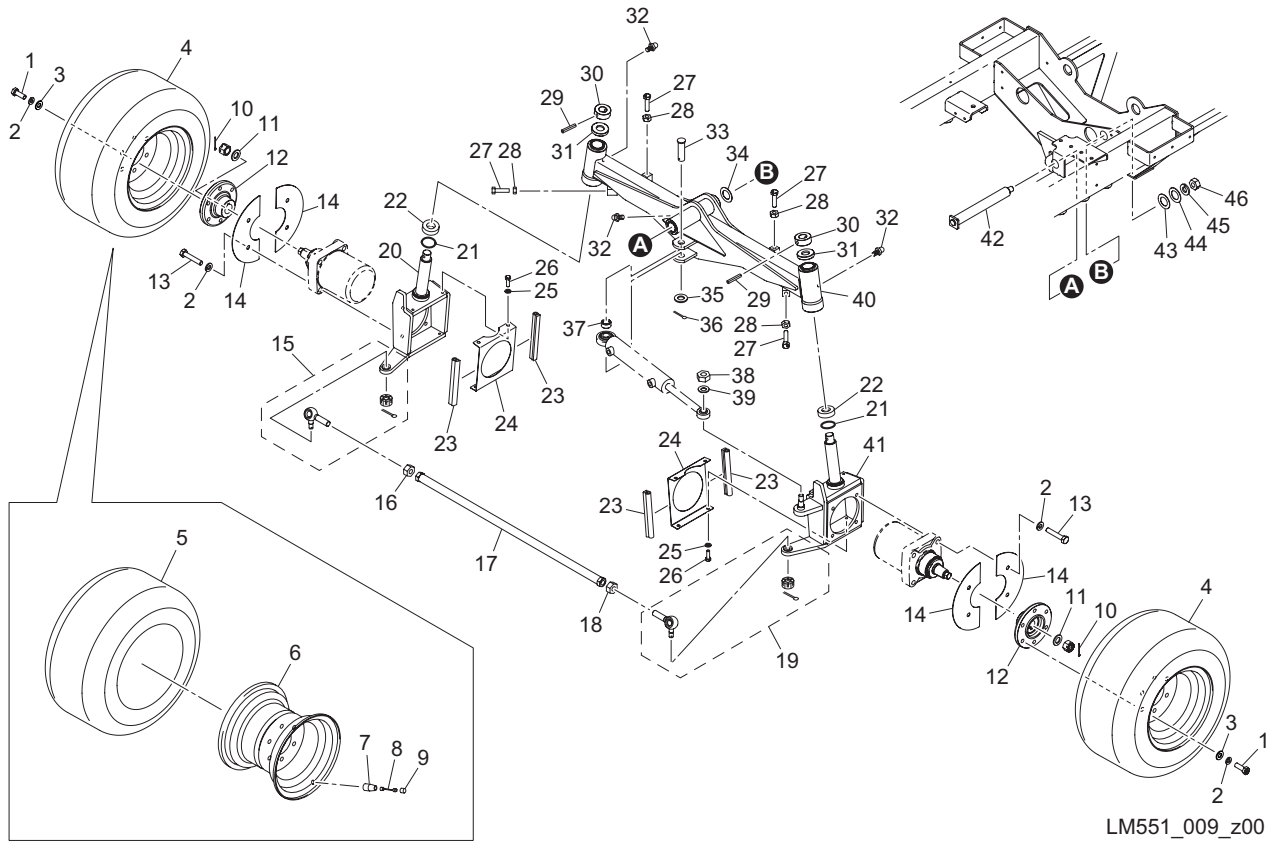


LM551_008_z00

Cat No.	Code No.	Part name	Qty	Remark	SN of application
8-1	K0034120352	BOLT, 8T P1.5 M12-35	12		
8-2	K0200120002	WASHER, SPRING M12	12		
8-3	K5000120002	WASHER, M12	12		
8-4	K2040000940	TIRE ASSY, 26.5*14.00-12	2		
8-5	K2041000300	TIRE, 26.5*14.00-12TL	2		
8-6	K209000087D	WHEEL, 12*10.5	2		
8-7	K2097000010	VALVE, RIM TR413	2		
8-8	K2092000020	CORE, VALVE NO.9000	2		
8-9	K2093000010	CAP, VALVE	2		
8-10	K0013120702	BOLT, HT M12-70	8		
8-11	K0213120002	WASHER, DISK SPRING 1H M12	8		
8-12	K1720000230	BRAKE ASSY, M30WM CCW	2		
8-13	K1729000010	BRACKET, BREAK MW30M	4		
8-14	K0300040502	PIN, COTTER M4-50	2		
8-15	K5000240002	WASHER, M24	2		
8-16	LM5000V0902AD	MOUNT, WHEEL	2		
8-17	K1720000220	BRAKE ASSY, M30WM CW	2		
8-18	LM551--0308ZD	COVER, INNER RACE (LOWER)	2		
8-19	K0000080202	BOLT, M8-20	8		
8-20	K0200080002	WASHER, SPRING M8	8		
8-21	LM551--0307ZD	COVER, INNER RACE (UPPER)	2		
8-22	K0015200702	BOLT, HT P1.5 M20-70	4		
8-23	K5000200002	WASHER, M20	8		
8-24	LM551--0301ZD	AXLE, FRONT	1		
8-25	K0200200002	WASHER, SPRING M20	4		
8-26	K0152200002	NUT, NYLON P1.5 M20	4		

9.Rear wheel section

LM551A

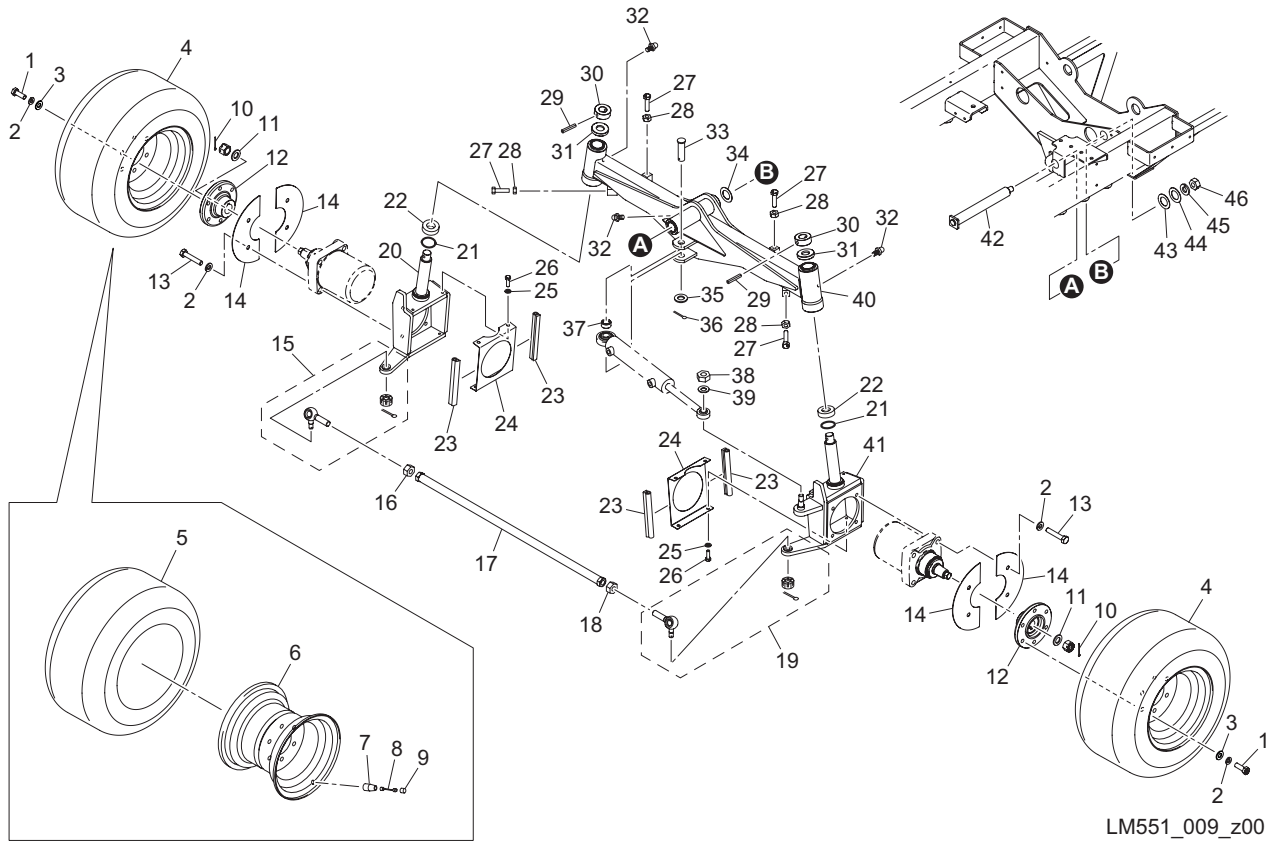


LM551_009_z00

Cat No.	Code No.	Part name	Qty	Remark	SN of application
9-1	K0034120352	BOLT, 8T P1.5 M12-35	12		
9-2	K0200120002	WASHER, SPRING M12	20		
9-3	K5000120002	WASHER, M12	12		
9-4	K2040000910	TIRE ASSY, 20*12.00-10	2		
9-5	K2041000390	TIRE, 20*12.00-10RS	2		
9-6	K209000094D	WHEEL, 10*8.5	2		
9-7	K2097000010	VALVE, RIM TR413	2		
9-8	K2092000020	CORE, VALVE NO.9000	2		
9-9	K2093000010	CAP, VALVE	2		
9-10	K0300040502	PIN, COTTER M4-50	2		
9-11	K5011025452	WASHER, SPCC 1-25.4-45.5	2		
9-12	GM1500A0240AD	MOUNT, FRONT WHEEL 90	2		
9-13	K0010120602	BOLT, HT M12-60	8		
9-14	LM551--0314ZD	PLATE, PRIVENTING GRASS FOR REAR WHEEL	4		
9-15	K1610000020	END ASSY, TIE-ROD MALE (RH)	1		
9-16	K0160000202	NUT, LEFT-HANDED SPECIAL P1.5 M17	1		
9-17	LM551--0305ZD	ROD, TIE	1		
9-18	K0160000192	NUT, SPECIAL P1.5 M17	1		
9-19	K1611000020	END ASSY, TIE-ROD LEFT-HANDED MALE (LH)	1		
9-20	LM551--0310ZD	KINGPIN, (RH)	1		
9-21	K0880048000	O-RING, P48	2		
9-22	K0640511070	BEARING, BALL THRUST 51107	2		
9-23	K3198501700	TRIM, SEAL 4100-16A-170	4		
9-24	LM551--0313ZD	PLATE, PRIVENTING GRASS FOR KINGPIN	2		
9-25	K0200080002	WASHER, SPRING M8	8		
9-26	K0000080152	BOLT, M8-15	8		
9-27	K0010120502	BOLT, HT M12-50	4		
9-28	K0159000052	NUT, SMALL M12	4		
9-29	K0320080501	PIN, SPRING M8-50	2		
9-30	K6213000113	COLLAR, W/HOLE M25-50-20	2		

9.Rear wheel section

LM551A

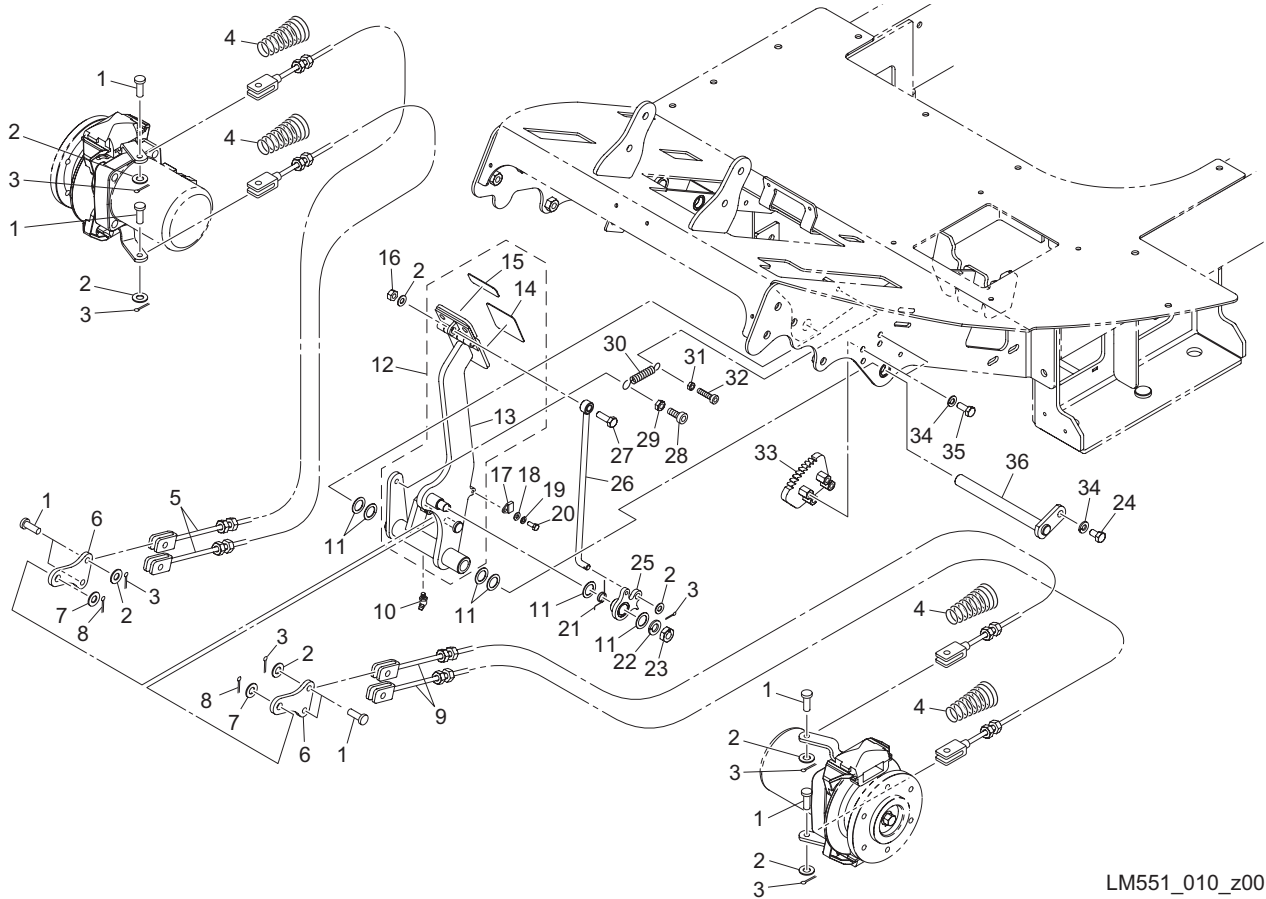


LM551_009_z00

Cat No.	Code No.	Part name	Qty	Remark	SN of application
9-31	K6204000383	LID	2		
9-32	K1440000010	GREASE NIPPLE, STRAIGHT TYPE A	3		
9-33	K6031200702	PIN, FLAT HEAD HT M20-70	1		
9-34	K5051030500	WASHER, C5191P 1-30-50	1	for adjustment	
9-35	K5012320402	WASHER, SPCC 2.3-20-40	1		
9-36	K0300032402	PIN, COTTER M3.2-40	1		
9-37	K6212001072	COLLAR, STKM M20-30-14	1		
9-38	K0145140002	NUT, W/F-RING M14 P1.5	1		
9-39	K0215140001	WASHER, DISK SPRING 2H M14	1		
9-40	LM551--0302ZD	PIVOT	1		
9-41	LM551--0311ZD	KINGPIN, (LH)	1		
9-42	LM551--0304Z8	SHAFT, W/M16V30261	1		
9-43	K5011030422	WASHER, SPCC 1-30-42	1-2	for adjustment	
9-44	K5073216352	WASHER, SPHC 3.2-16-35	1		
9-45	K0200160002	WASHER, SPRING M16	1		
9-46	K0100160002	NUT, M16	1		

10.Pedal section A

LM551A

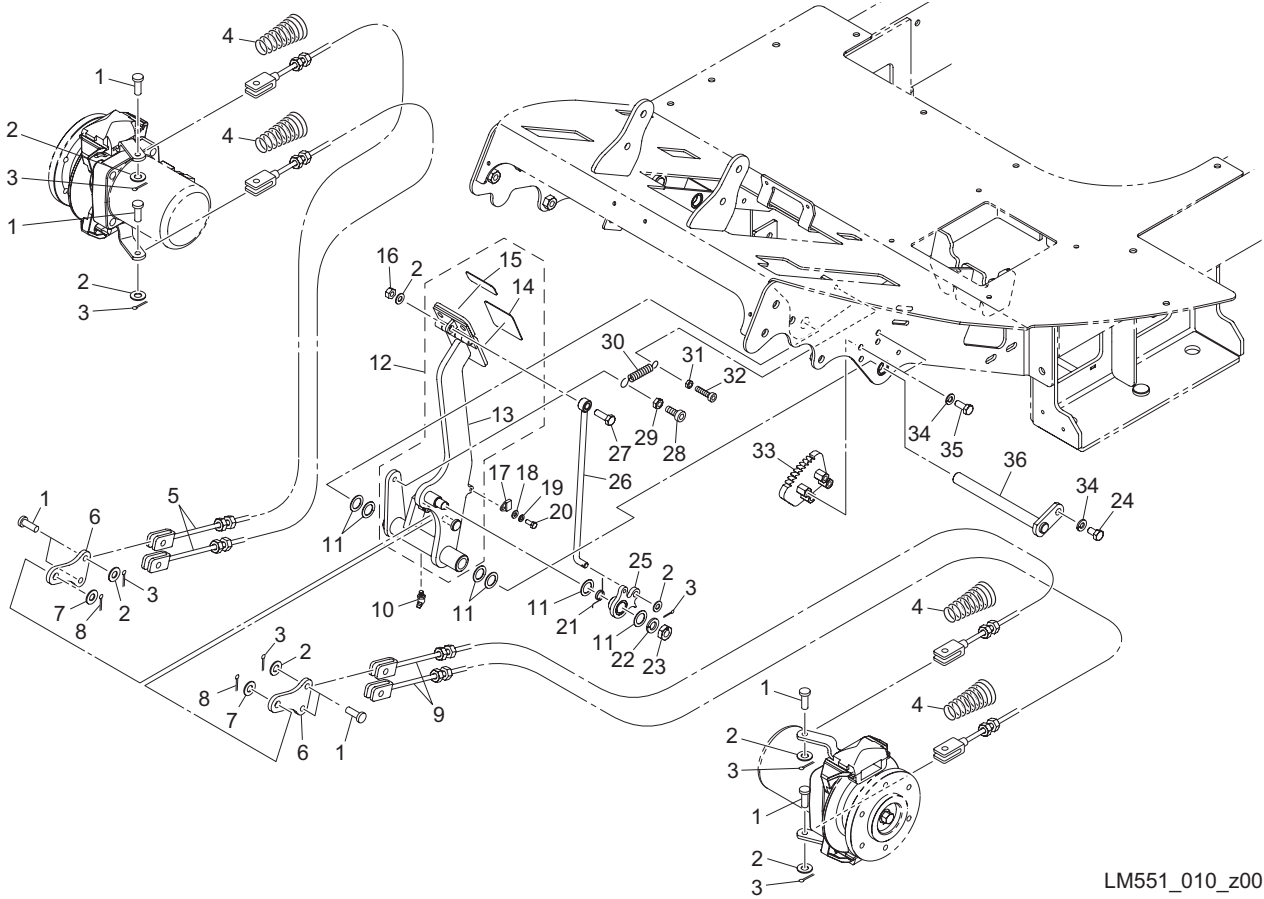


LM551_010_z00

Cat No.	Code No.	Part name	Qty	Remark	SN of application
10-1	K6031080222	PIN, FLAT HEAD HT M8-22	8		
10-2	K5000080002	WASHER, M8	10		
10-3	K0300020202	PIN, COTTER M2-20	9		
10-4	K100000988	SPRING, COMPRESSION TAPERED M1.6-22-95	4		
10-5	K1120164000	WIRE, BRAKE 1640	2		
10-6	LM551--0402Z2	PLATE, BREAK WIRE	2		
10-7	K5000100002	WASHER, M10	2		
10-8	K0300025202	PIN, COTTER M2.5-20	2		
10-9	K1120139000	WIRE, BRAKE 1390	2		
10-10	K1440000030	GREASE NIPPLE, 67.5 DEG TYPE B	1		
10-11	K5051016240	WASHER, C5191P 1-16-24	6		
10-12	LM551--0403Z0	PEDAL ASSY, BRAKE	1		
10-13	LM551--0417ZD	PEDAL, BRAKE	1		
10-14	K4400000130	SHEET, NONSKID FOR PEDAL 5555	1		
10-15	K4400000120	SHEET, NONSKID FOR PEDAL 2055	1		
10-16	K0144080002	NUT, W/F-RING M8	1		
10-17	K1510000110	MAGNET, W/PLASTIC BASE	1		
10-18	K5000050002	WASHER, M5	1		
10-19	K0200050002	WASHER, SPRING M5	1		
10-20	K0000050152	BOLT, M5-15	1		
10-21	K1050000028	SPRING, TORSION	1		
10-22	K0213120002	WASHER, DISK SPRING 1H M12	1		
10-23	K0102120002	NUT, M12-3	1		
10-24	K0000080152	BOLT, M8-15	1		
10-25	LM551--0416Z2	CLAW, LOCKING PARKING BRAKE	1		
10-26	LM551--0422Z2	SHAGT, LOCKING	1		
10-27	K0000080252	BOLT, M8-25	1		
10-28	K001A080201	BOLT, 13T W/HEX HOLE M8-20	1		
10-29	K0100080002	NUT, M8	1		
10-30	K1020000208	SPRING, W/ROUND HOOK M1.6-16.6-65.2	1		

10. Pedal section A

LM551A

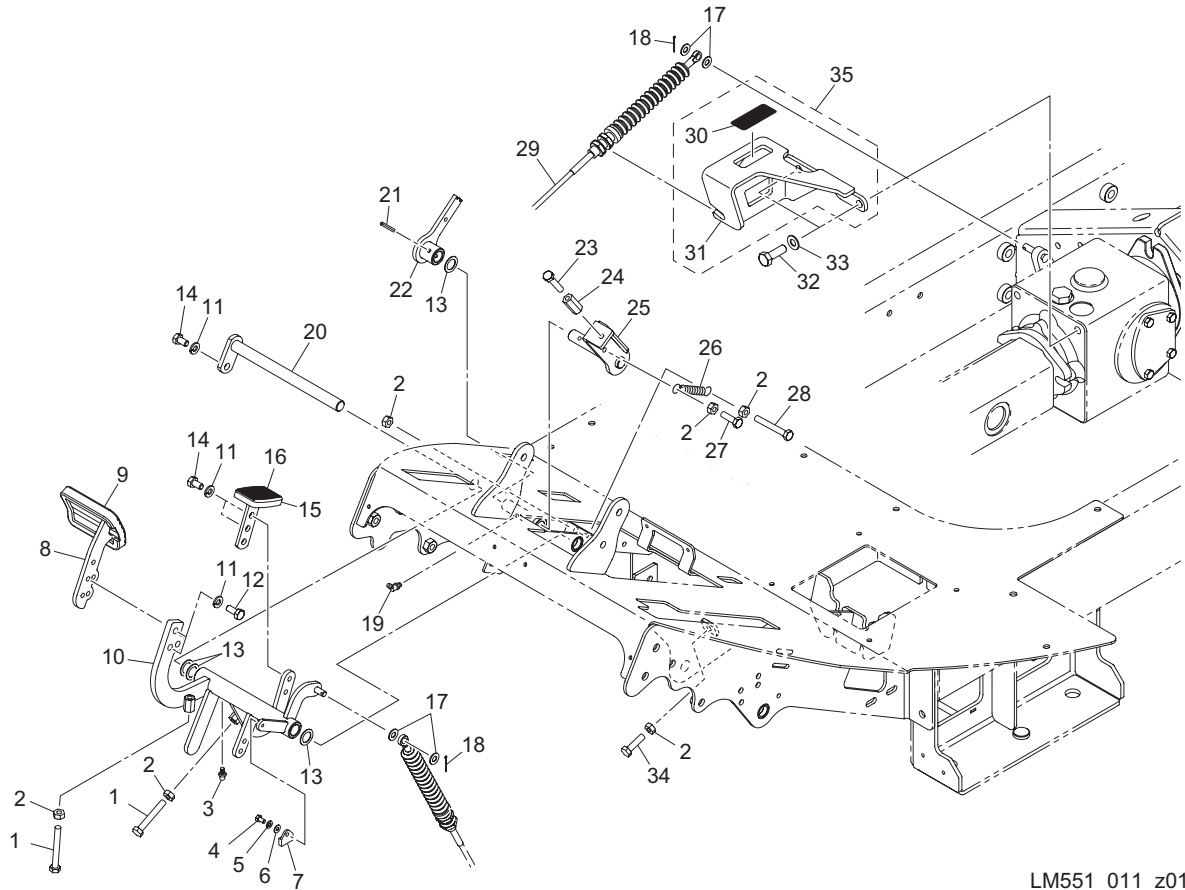


LM551_010_z00

Cat No.	Code No.	Part name	Qty	Remark	SN of application
10-31	K0100060002	NUT, M6	1		
10-32	K001A060301	BOLT, 13T W/HEX HOLE M6-30	1		
10-33	LM551--0415Z2	CLAW, LOCKING	1		
10-34	K0200080002	WASHER, SPRING M8	3		
10-35	K0000080202	BOLT, M8-20	2		
10-36	LM551--0436Z2	SHAFT, PEDAL	1		

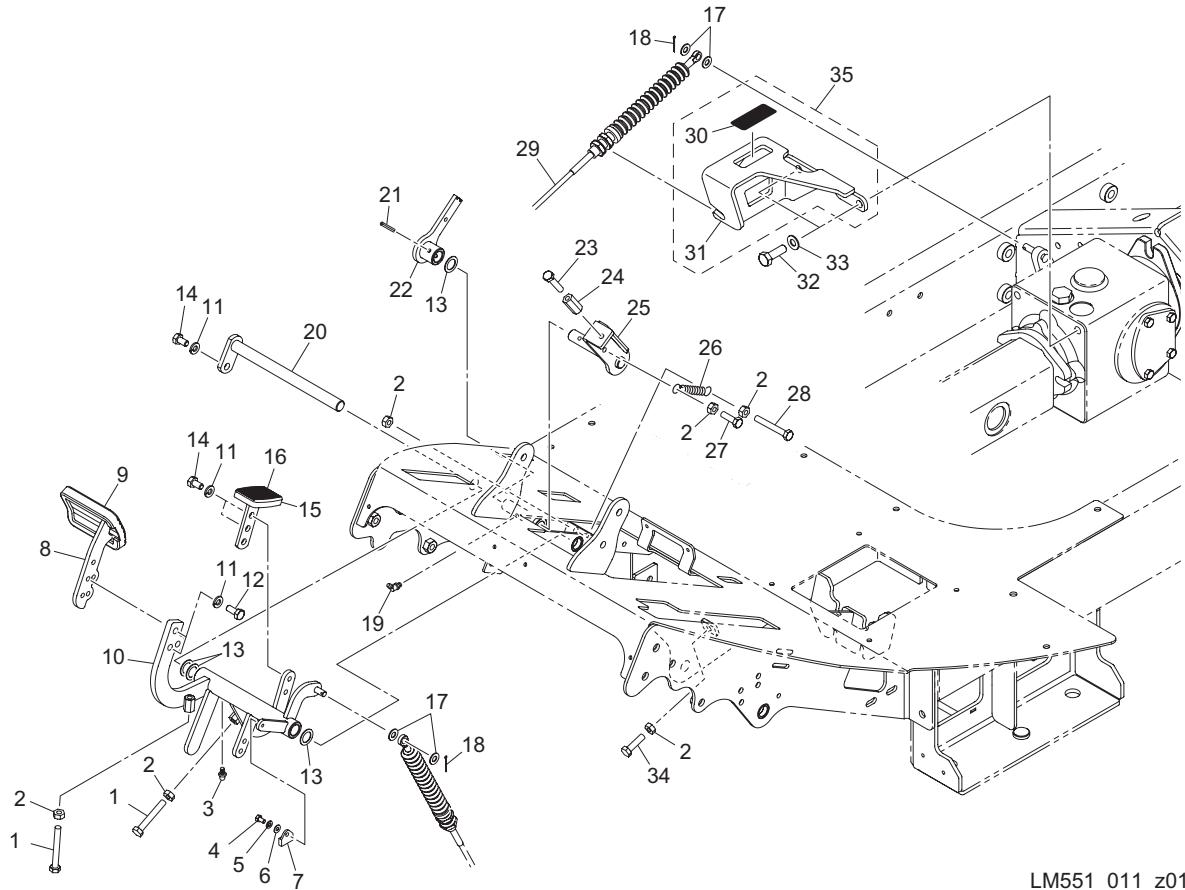
11.Pedal section B

LM551A



LM551_011_z01

Cat No.	Code No.	Part name	Qty	Remark	SN of application
11-1	K0000080602	BOLT, M8-60	2		
11-2	K0100080002	NUT, M8	6		
11-3	K1440000010	GREASE NIPPLE, STRAIGHT TYPE A	1		
11-4	K0000050152	BOLT, M5-15	1		
11-5	K0200050002	WASHER, SPRING M5	1		
11-6	K5000050002	WASHER, M5	1		
11-7	K1510000110	MAGNET, W/PLASTIC BASE	1		
11-8	LM551--0433ZD	PEDAL, TRAVELLING	1		
11-9	K4050000050	RUBBER, FOR PEDAL 70100	1		
11-10	LM551--0434ZD	PEDAL, LOWER	1		
11-11	K0200080002	WASHER, SPRING M8	5		
11-12	K0000080202	BOLT, M8-20	2		
11-13	K5051016240	WASHER, C5191P 1-16-24	4		
11-14	K0000080152	BOLT, M8-15	3		
11-15	LM551--0435ZD	PEDAL, BACKWARD	1		
11-16	K4050000020	RUBBER, FOR PEDAL 4560	1		
11-17	K5000080002	WASHER, M8	4		
11-18	K0300025202	PIN, COTTER M2.5-20	2		
11-19	K1440000030	GREASE NIPPLE, 67.5 DEG TYPE B	1		
11-20	LM551--0432Z2	SHAFT, PEDAL LARGE	1		
11-21	K0320050251	PIN, SPRING M5-25	1		
11-22	LM551--0431Z2	LEVER, LOCKING	1		
11-23	K0000080402	BOLT, M8-40	1		
11-24	K0149083252	NUT,HIGH M8-13-25	1		
11-25	LM551--0430Z2	LEVER, LOCKING OPERATION SPEED	1		
11-26	K1020000068	SPRING, W/ROUND HOOK M1.6-13.6-104	1		
11-27	K0000080252	BOLT, M8-25	1		
11-28	K0000080552	BOLT, M8-55	1		
11-29	K1160122000	CABLE, PUSH-PULL 1220	1		
11-30	LM551--0413A0	DECAL, INDICATING REEL ROTATION	1		

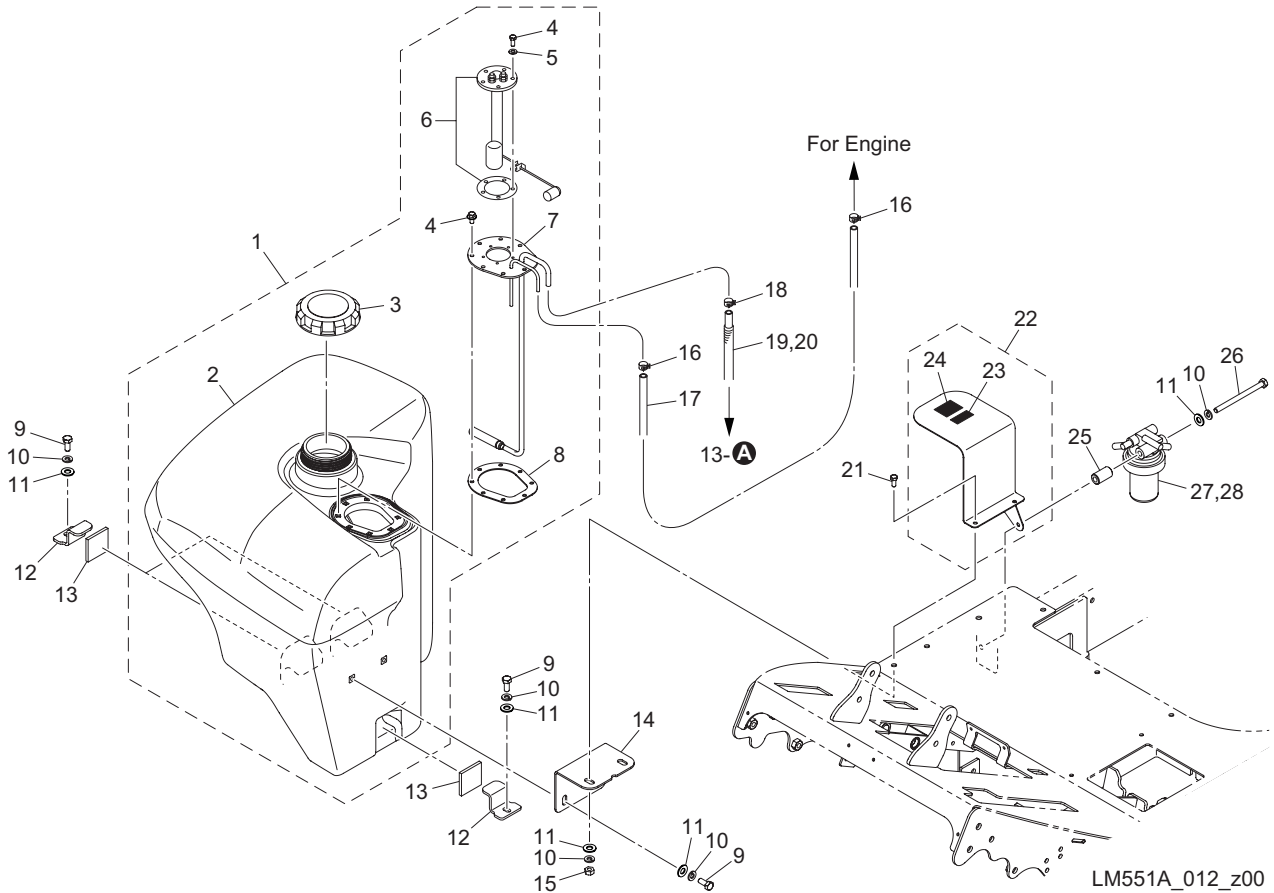


LM551_011_z01

Cat No.	Code No.	Part name	Qty	Remark	SN of application
11-31	LM551--0412ZD	BRACKET, PP WIRE	1		
11-32	K0069000042	BOLT, UNC19 3/8-16	2		
11-33	K0200100002	WASHER, SPRING M10	2		
11-34	K0000080302	BOLT, M8-30	1		
11-35	LM551--0411A0	BRACKET, PP WIRE W/LABEL	1		

12. Fuel tank section A

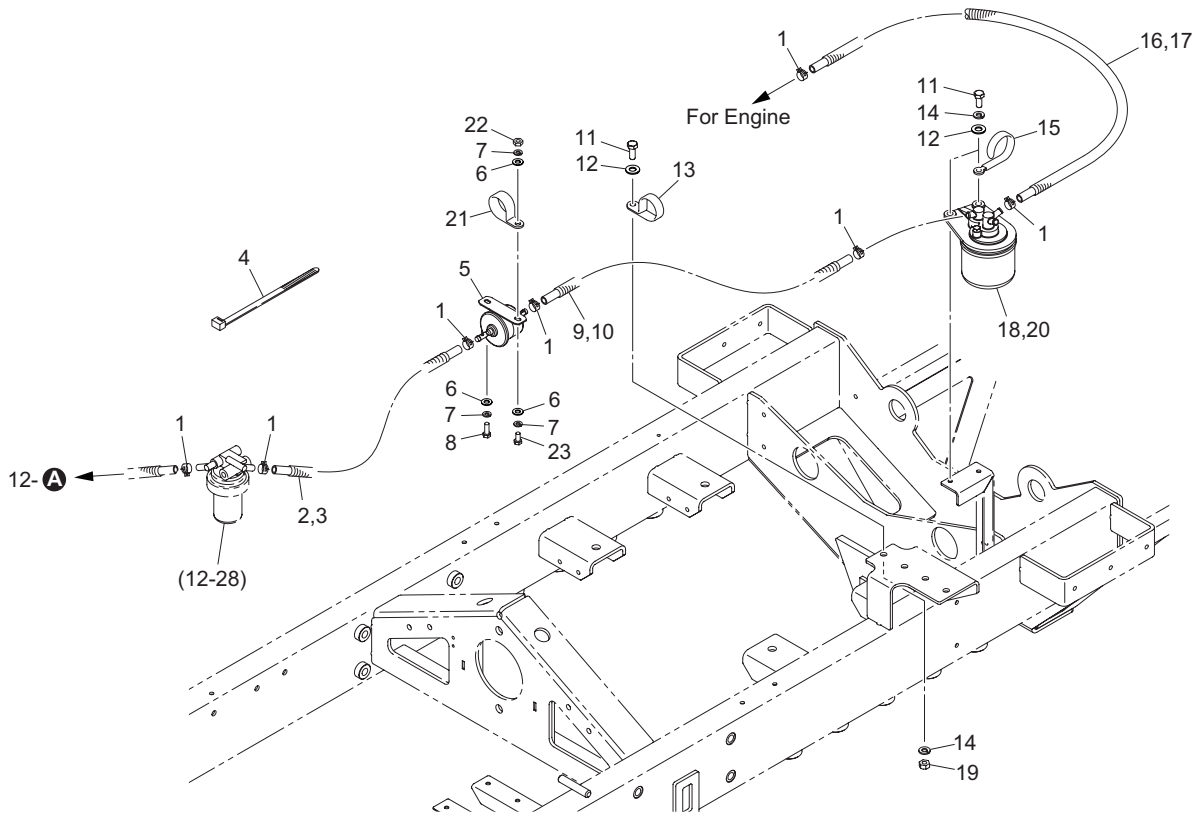
LM551A



Cat No.	Code No.	Part name	Qty	Remark	SN of application
12-1	LM551--0705Z0	TANK ASSY, PLASTIC 65 (E4)	1		
12-2	LM551--0702Z0	TANK COMP, FUEL 65	1		
12-3	K1410000130	CAP, FUEL TARGET 350	1	with Diesel Instruction Mark	
12-4	K0021050122	BOLT, W/FRANGE M5-12	13		
12-5	K0922050000	SEAL, WASHER 5WF	5		
12-6	LM551--0706Z0	SENDER, FUEL 210*220	1		
12-7	LM551--0703Z3	BRACKET, FUEL HOSE (E4)	1		
12-8	LM551--0704Z0	PACKING	1		
12-9	K0000080202	BOLT, M8-20	5		
12-10	K0200080002	WASHER, SPRING M8	8		
12-11	K5000080002	WASHER, M8	8		
12-12	LM551--0707ZD	METAL, SECURING TANK BASE	3		
12-13	K4033000620	RUBBER, PLATE 5-5050	3		
12-14	LM551--0708ZD	PLATE, SECURING TANK SIDE	1		
12-15	K0100080002	NUT, M8	2		
12-16	K4260000150	CLAMP, HOSE 12	2		
12-17	K3182021500	HOSE, FUEL 4*1B2150	1		
12-18	PF14911-4275-0	CLIP, PIPE	1		
12-19	PF09661-80500	TUBE, FUEL 500	1		
12-20	K3196004500	TUBE, CORRUGATED 13-450	1		
12-21	K0056080200	SCREW, SUS + TRUSS M8-20	2		
12-22	LM551--0670Z0	COVER COMP, CENTER	1		
12-23	K4205001940	DECAL, CAUTION FIRE	1		
12-24	K4209001000	DECAL, DIESEL FUEL REFUELING HOLE	1		
12-25	K6212000792	COLLAR, STKM M8.5-17-30	1		
12-26	K0003081002	BOLT, M8-100	1		
12-27	PF1G381-4335-0	FILTER ASSY	1		
12-28	PFRB101-5128-2	ELEMENT	1		
12-29					
12-30					

13. Fuel tank section B

LM551A

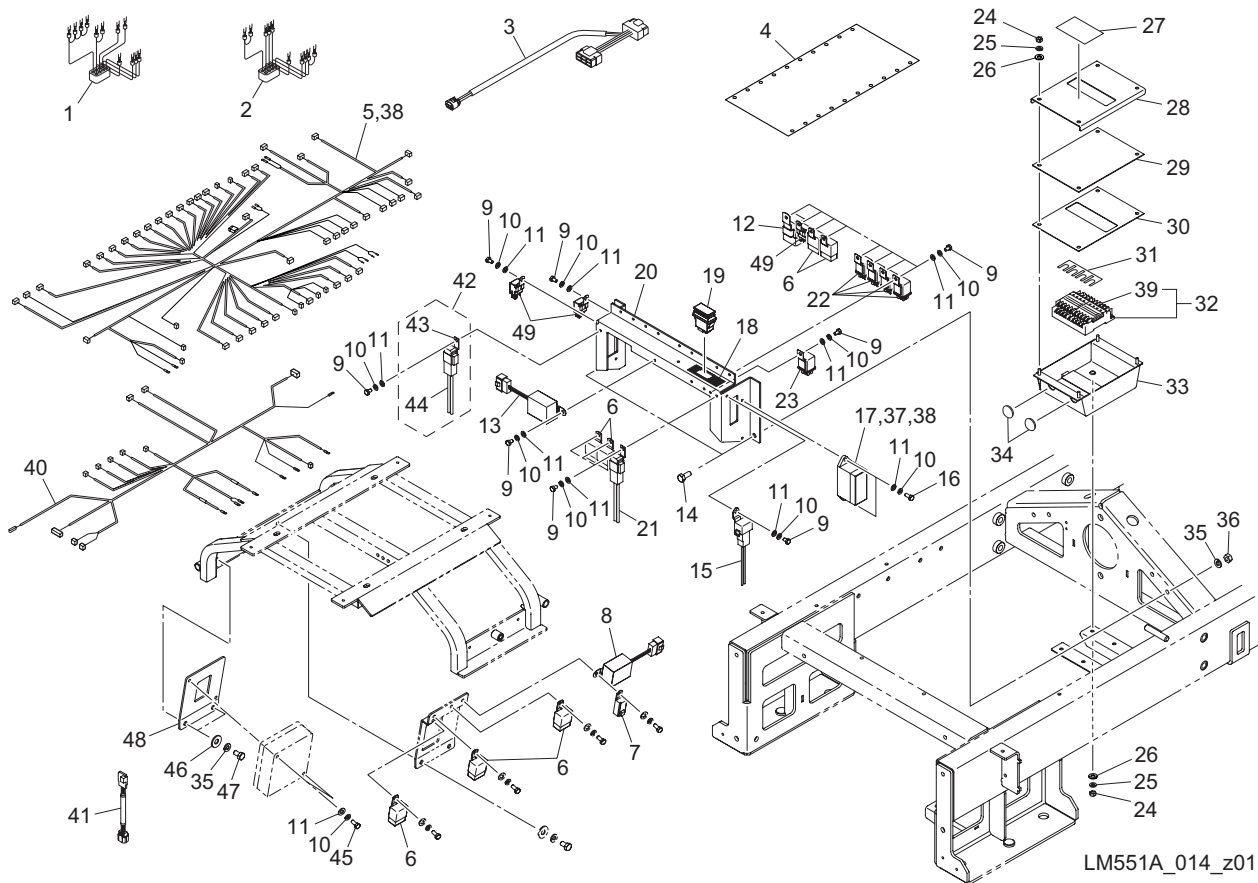


LM551A_013_z00

Cat No.	Code No.	Part name	Qty	Remark	SN of application
13-1	PF14911-4275-0	CLIP, PIPE	7		
13-2	PF09661-80500	TUBE, FUEL 500	1		
13-3	K3196004500	TUBE, CORRUGATED 13-450	1		
13-4	K4241000060	BAND, PLASTIC TRCV-160LW	10		
13-5	PF1G377-5203-1	PUMP ASSY, FUEL	1		
13-6	K5000060002	WASHER, M6	2		
13-7	K0200060002	WASHER, SPRING M6	2		
13-8	K0000060152	BOLT, M6-15	1		
13-9	PF09661-81300	TUBE, FUEL 1300	1		
13-10	K3196012500	TUBE, CORRUGATED 13-1250	1		
13-11	K0000080202	BOLT, M8-20	3		
13-12	K5000080002	WASHER, M8	3		
13-13	K4270030080	CLIP, HARNESS 30 M8	1		
13-14	K0200080002	WASHER, SPRING M8	3		
13-15	K4281000020	CLAMP, HARNESS 8.5 80	1		
13-16	PF09661-80450	TUBE, FUEL 450	1		
13-17	K3196004100	TUBE, CORRUGATED 13-410	1		
13-18	PF15224-4301-0	FILTER ASSY, FUEL	1		
13-19	K0100080002	NUT, M8	1		
13-20	PF15221-4317-0	ELEMENT, FUEL FILTER	1		
13-21	K4270040060	CLIP, HARNESS 40-M6	1		
13-22	K0100060002	NUT, M6	1		
13-23	K0000060252	BOLT, M6-25	1		

14.Engine section A

LM551A

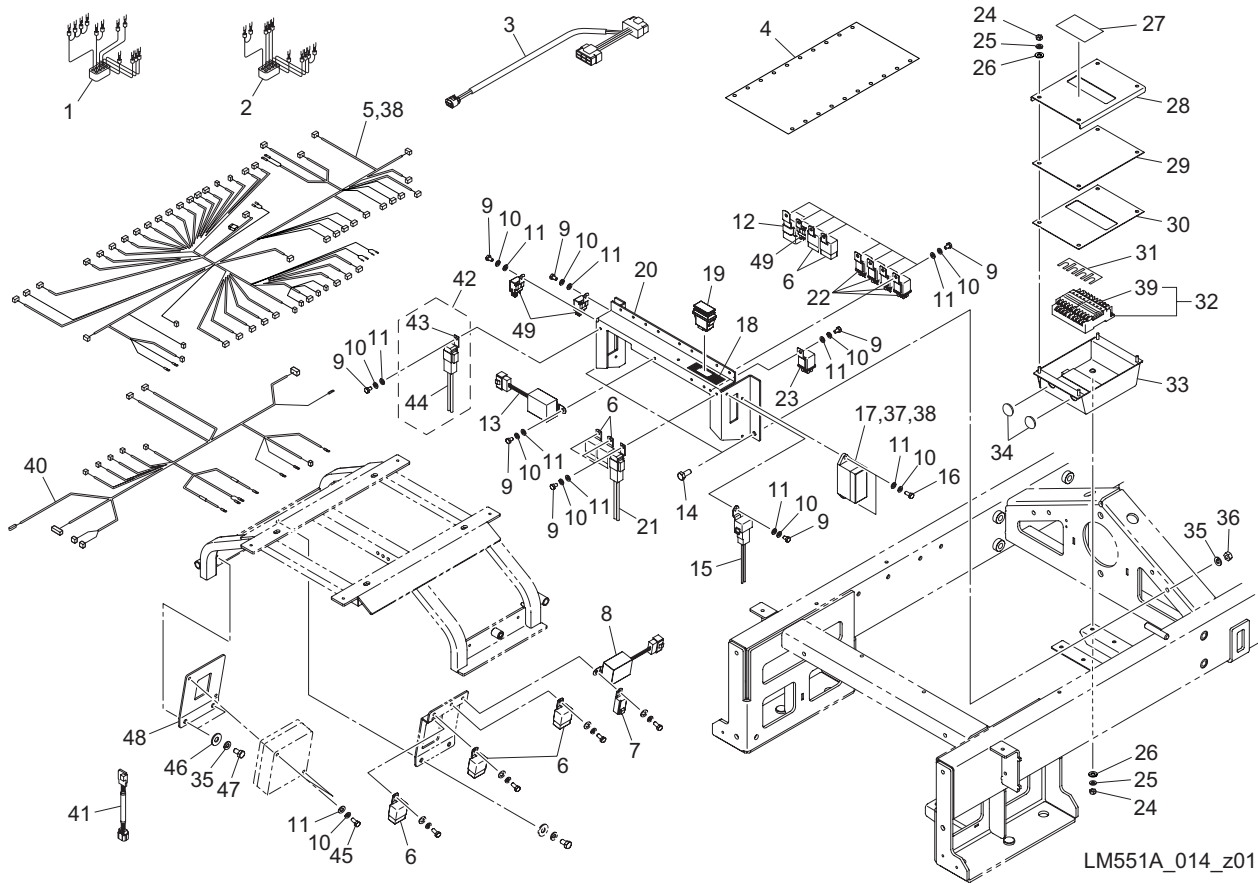


LM551A_014_z01

Cat No.	Code No.	Part name	Qty	Remark	SN of application
14-1	LM551--0524Z0	WIRE, RELAY (LH)	1		
14-2	LM551--0525Z0	WIRE, RELAY (RH)	1		
14-3	LM551--9101Z0	HARNESS, DELAYING TO LIFT MOWER	1		
14-4	K4243700550	TUBE, SNAP KST-70R-055	1		
14-5	LM551--0519Z0	HARNESS, MAIN (E4B)	1		
14-6	K3681000010	RELAY, CA1-DC12V-N	7		
14-7	K3681000060	RELAY, CALAF-12V-N-5	1		
14-8	K3684000010	TIMER, ON DELAY 0.6S	1		
14-9	K0000060102	BOLT, M6-10	17		
14-10	K0200060002	WASHER, SPRING M6	19		
14-11	K5000060002	WASHER, M6	19		
14-12	PFRP421-5373-0	RELAY ASSY, GLOW	1		
14-13	K3683000010	TIMER, OFF DELAY 0.9S	1		
14-14	K0000080202	BOLT, M8-20	2		
14-15	K3630000160	FUSE BLOCK, FUSIBLE LINK 30A	1		
14-16	K0000060152	BOLT, M6-15	2		
14-17	K3630000090	FUSE BLOCK, MINI 10P-A	1		
14-18	K4203001590	LABEL, LAPPING	1		
14-19	K3661000070	SWITCH, ROCKER RED	1		
14-20	LM551--0528ZD	BRACKET, RELAY	1		
14-21	K3630000150	FUSE BLOCK, FUSIBLE LINK 50A	1		
14-22	K3681000070	RELAY, MR5A411A1K	4		
14-23	K3681000080	RELAY, MR5A602A1K	1		
14-24	K0100050002	NUT, M5	8		
14-25	K0200050002	WASHER, SPRING M5	8		
14-26	K5000050002	WASHER, M5	8		
14-27	LM551--0537Z0	DECAL, RELAY	1		
14-28	GM2800-0519ZD	COVER, BOX	1		
14-29	GM2800-0518Z0	BOARD, ACRYLIC M 1.5-134189	1		
14-30	GM2800-0517Z0	PACKING, RUBBER 1-134189	1		

14.Engine section A

LM551A

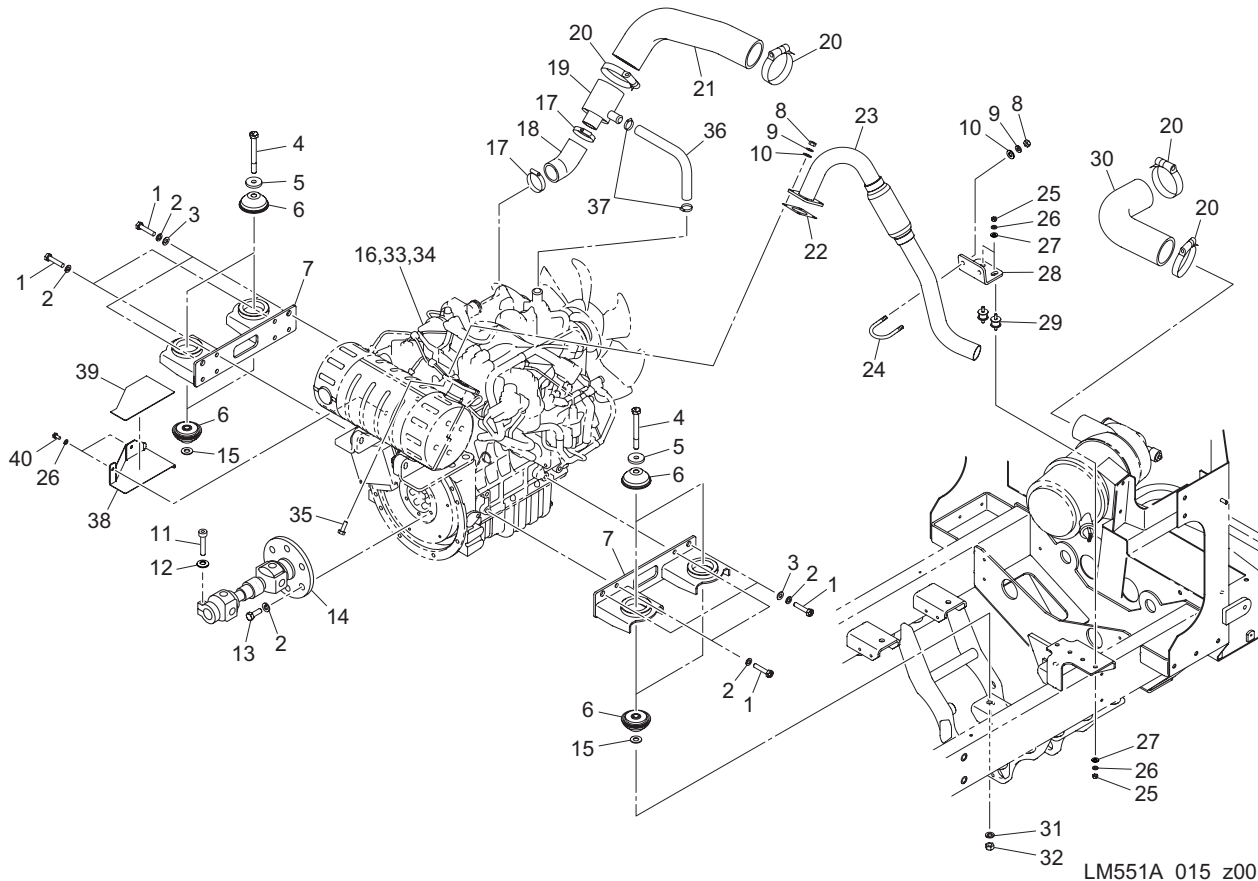


LM551A_014_z01

Cat No.	Code No.	Part name	Qty	Remark	SN of application
14-31	K3680000040	SHORTING BAR, RELAY G6B-4CB	1		
14-32	K3680000030	RELAY BOX, G6B-4CB	2		
14-33	GM2800-0570ZD	BOX, RELAY	1		
14-34	K0900300200	GROMMET, W/SEALING C30SG20A	2		
14-35	K0200080002	WASHER, SPRING M8	4		
14-36	K0100080002	NUT, M8	2		
14-37	K3631000070	FUSE, MINI BLADE 5A	1-7		
14-38	K3631000110	FUSE, MINI BLADE 15A	1-3		
14-39	G6B2114P-US-P6B	RELAY, FOR TERMINAL G6B-4CB (REPLACEMENT)	1-8		
14-40	LM551--0520Z0	HARNESS, INTERMEDIATE	1		
14-41	LM551--0584Z0	CONTROLLER COMP, INITIAL RESET L	1		
14-42	K3630000220	FUSE BLOCK, FUSIBLE LINK 80A	1		
14-43	K3630000210	FUSE BLOCK, FUSIBLE LINK 80A	1		
14-44	K5270002552	BRACKET	1		
14-45	K0000060502	BOLT, M6-50	2		
14-46	K5012308182	WASHER, SPCC 2.3-8-18	2		
14-47	K0000080152	BOLT, M8-15	2		
14-48	LM551--0648ZD	BRACKET, ECU	1		
14-49	PF5H706-4257-0	RELAY	3		

15.Engine section B

LM551A

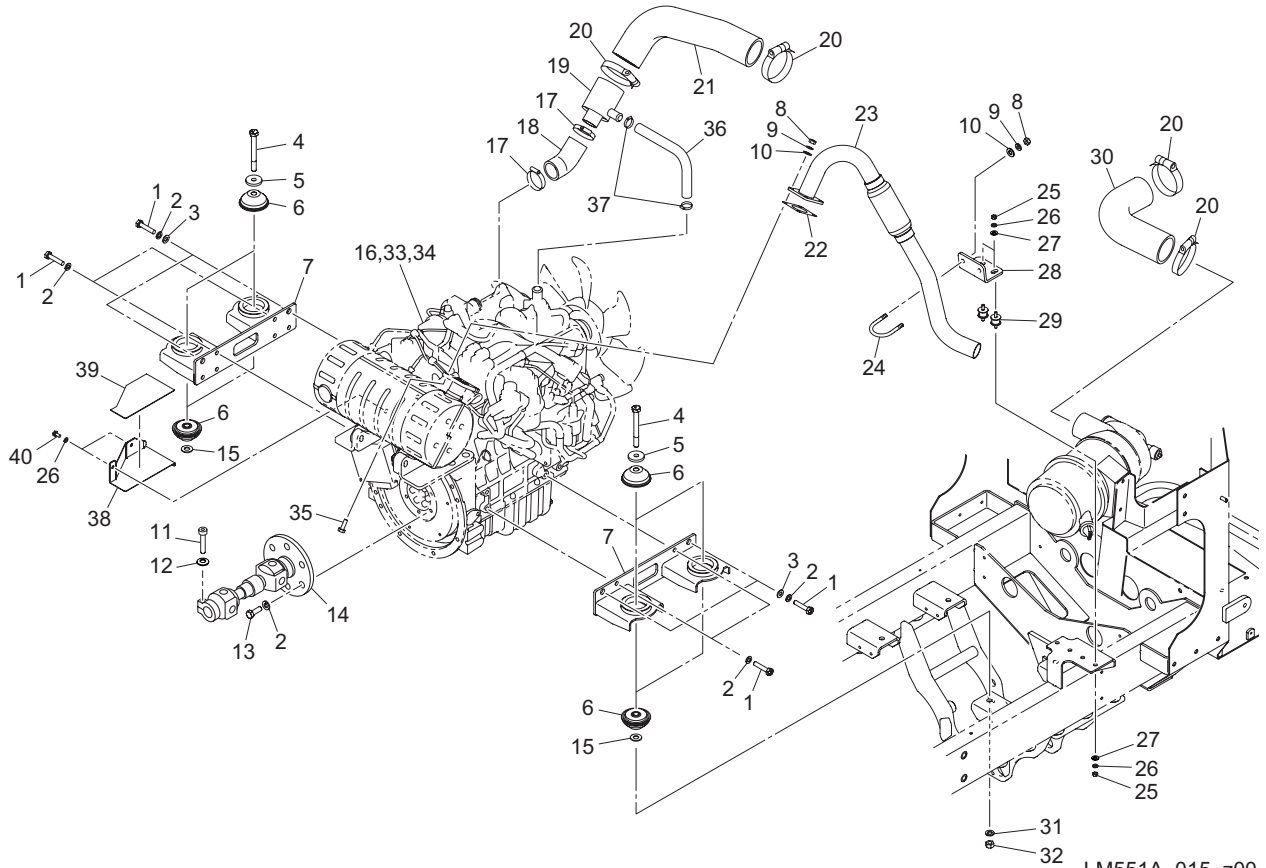


LM551A_015_z00

Cat No.	Code No.	Part name	Qty	Remark	SN of application
15-1	K0017100252	BOLT, SMALL HT P1.25 M10-25	16		
15-2	K0200100002	WASHER, SPRING M10	22		
15-3	K5000100002	WASHER, M10	4		
15-4	K0010121201	BOLT, HT M12-120	4		
15-5	K5076012402	WASHER, SPHC 6-12-40	4		
15-6	K4042000100	RUBBER, VIBRATION PROOF TO MOUNT ENGINE	8		
15-7	LM551--0504ZD	BRACKET, ENGINE	2		
15-8	K0100080002	NUT, M8	6		
15-9	K0200080002	WASHER, SPRING M8	6		
15-10	K5000080002	WASHER, M8	6		
15-11	K001A100401	BOLT, 13T W/HEX HOLE M10-40	1		
15-12	K0215100002	WASHER, DISK SPRING 2H M10	1		
15-13	K0011100252	BOLT, HT P1.25 M10-25	6		
15-14	K1620000250	JOINT ASSY, UNIVERSAL	1		
15-15	K5011613402	WASHER, SPCC 1.6-13-40	8	for adjustment	
15a-16	K2691000520	ENGINE, KUBOTA V1505-T-E4B	1		
15-17	K4260000200	CLAMP, HOSE JUBILEE BAND 2A	2		
15-18	LM551--0515Z0	HOSE, AIR CLEANER A	1		
15-19	LM551--0513Z2	DIVIDER, AIR	1		
15-20	K4261044000	CLAMP, HOSE PARKER 29-76	4		
15-21	LM551--0581Z0	HOSE, AIR CLEANER B	1		
15-22	PFT0070-1642-0	GASKET, MUFFLER	1		
15-23	LM551--0545ZU	PIPE, MUFFLER	1		
15-24	K0073000052	BOLT, W/F-RING M8-40A	1		
15-25	K0100060002	NUT, M6	4		
15-26	K0200060002	WASHER, SPRING M6	4		
15-27	K5011606202	WASHER, SPCC 1.6-6-20	4		
15-28	LM551--0547ZU	PLATE, MOUNTING PIPE	1		
15-29	K4042000120	RUBBER, ANTI VIBRATION KA25	2		
15-30	LM551--0582Z0	HOSE, AIR CLEANER C	1		

15.Engine section B

LM551A

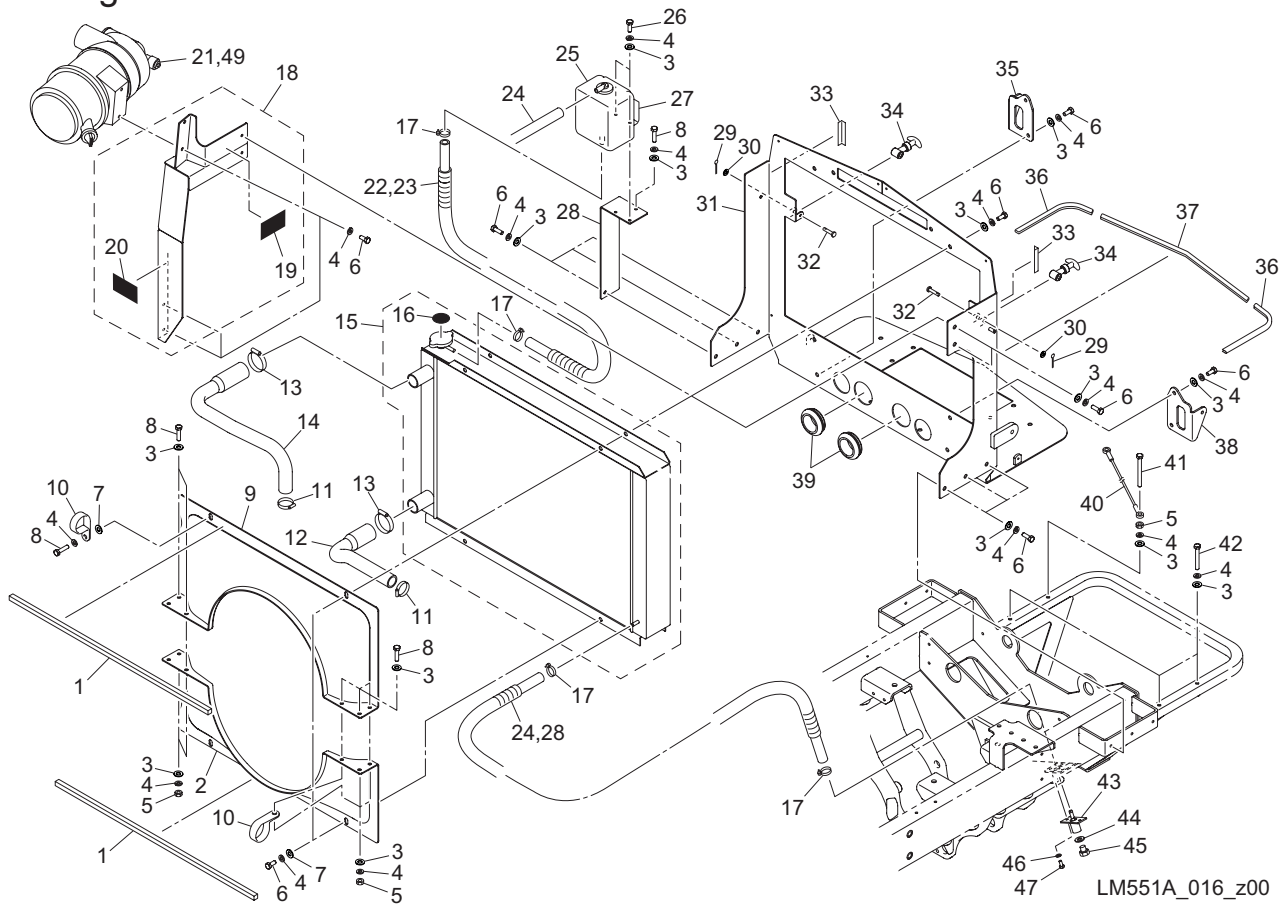


LM551A_015_z00

Cat No.	Code No.	Part name	Qty	Remark	SN of application
15-31	K0200120002	WASHER, SPRING M12	4		
15-32	K0100120002	NUT, M12	4		
15-33	PF16282-9701-3	FAN BELT	1		
15-34	PF15241-3209-4	ELEMENT, OIL FILTER	1		
15-35	K0000080252	BOLT, M8-25	4		
15-36	LM551--0583Z0	HOSE, BLOWER MOTOR	1		
15-37	K4260000210	CLAMP, HOSE JUBILEE BAND 1A	2		
15-38	LM551--0569ZU	COVER, STARTER	1		
15-39	K4230000200	PANEL, INSULATING 1.6-97-170	1		
15-40	K0000060152	BOLT, M6-15	2		

16.Engine section C

LM551A

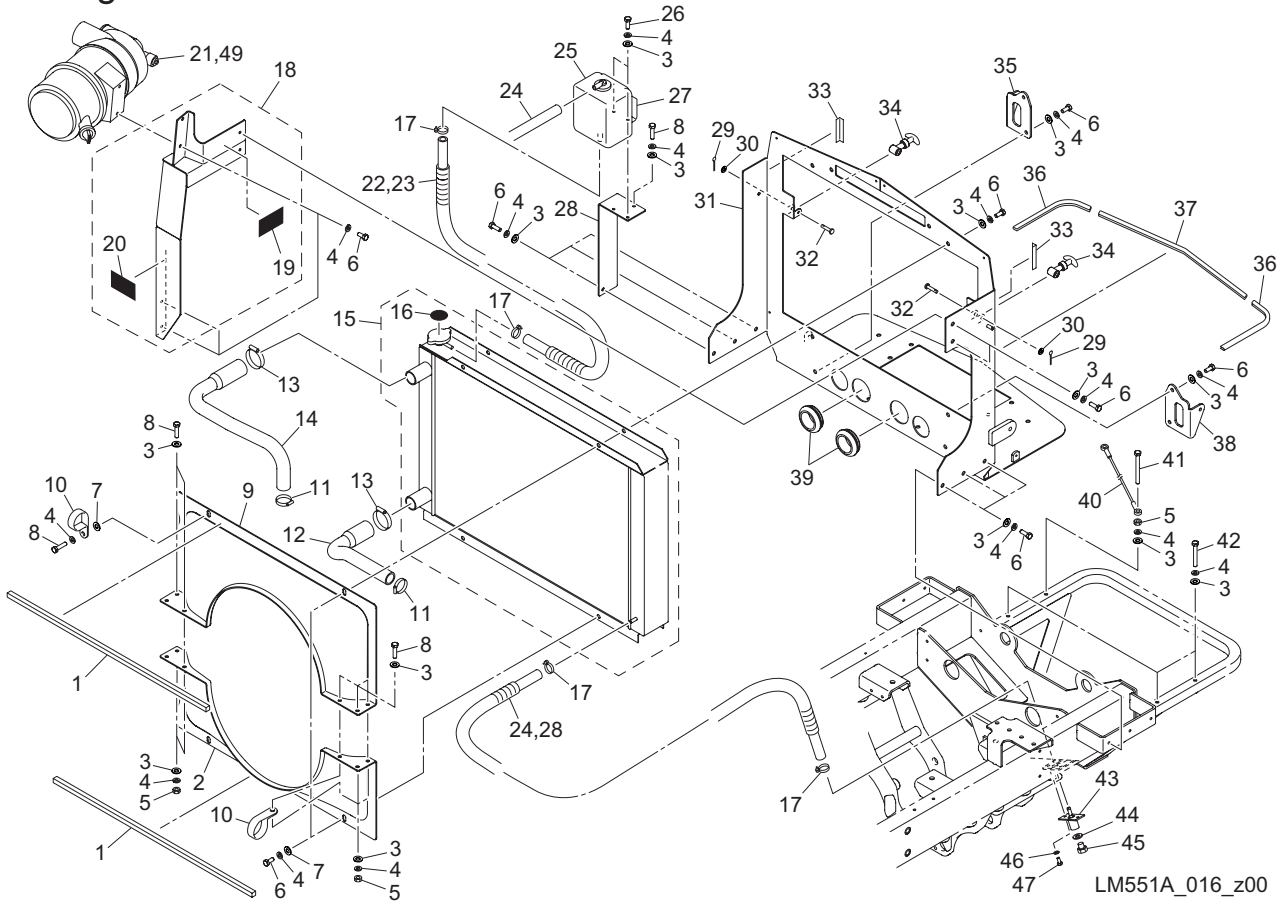


LM551A_016_z00

Cat No.	Code No.	Part name	Qty	Remark	SN of application
16-1	K4220000230	SPONGE, URETHAN 10-10-500	2		
16-2	LM551--0553Z0	SHROUD, LOWER	1		
16-3	K5000080002	WASHER, M8	31		
16-4	K0200080002	WASHER, SPRING M8	34		
16-5	K0100080002	NUT, M8	6		
16-6	K0000080202	BOLT, M8-20	21		
16-7	K5012308242	WASHER, SPCC 2.3-8-24	4		
16-8	K0000080252	BOLT, M8-25	7		
16-9	LM551--0552Z0	SHROUD, UPPER	1		
16-10	K4270020080	CLIP, HARNESS 20 M8	2		
16-11	K4260000190	CLAMP, HOSE JUBILEE BAND 1	2		
16-12	LM551--0521Z0	PIPE, WATER B	1		
16-13	K4260000200	CLAMP, HOSE JUBILEE BAND 2A	2		
16-14	LM551--0517Z0	PIPE, WATER A	1		
16-15	LM551--0512Z0	RADIATOR COMP	1		
16-16	K4205001970	DECAL, CAUTION SPOUTING COOLANT	1		
16-17	K4260000150	CLAMP, HOSE 12	4		
16-18	LM551--0580Z0	BRACKET COMP, AIR CLEANER	1		
16-19	K4205001530	DECAL, CAUTION TO ROTATING OBJECT	1		
16-20	K4205001540	DECAL, CAUTION TO HOT PARTS	1		
16-21	PF1G369-1101-0	AIR CLEANER ASSY	1		
16-22	LM551--0577Z0	HOSE, DRAIN 8-850	1		
16-23	K3196007500	TUBE, CORRUGATED 13-750	1		
16-24	LM551--0576Z0	HOSE, DRAIN 8-650	2		
16-25	PF15501-7240-0	TANK ASSY, RESERVE	1		
16-26	K0000080152	BOLT, M8-15	2		
16-27	PF15527-7246-0	STAY, RESERVE TANK	1		
16-28	LM551--0575ZD	PLATE, L SHAPED	1		
16-29	K0300016202	PIN, COTTER M1.6-20	2		
16-30	K5000060002	WASHER, M6	2		

16.Engine section C

LM551A

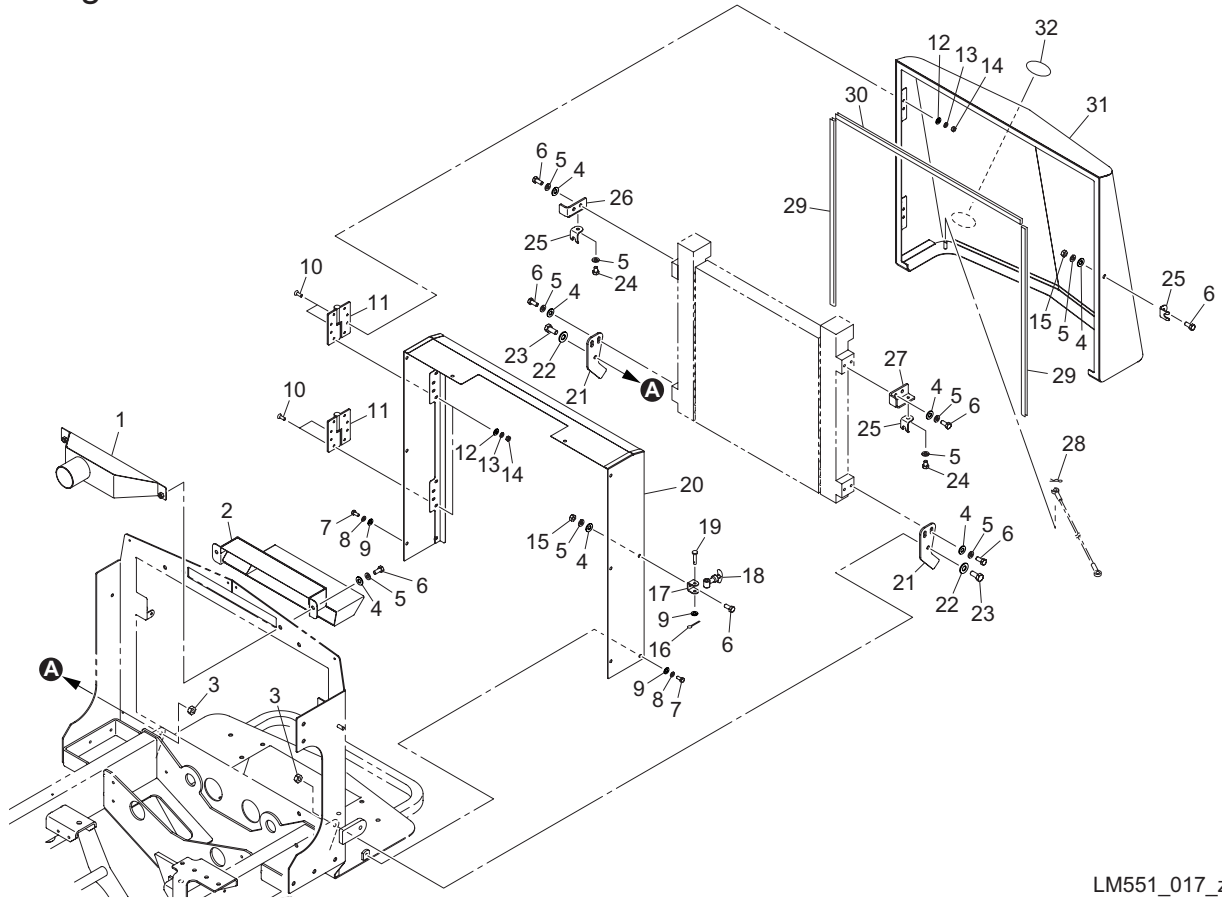


LM551A_016_z00

Cat No.	Code No.	Part name	Qty	Remark	SN of application
16-31	LM551--0501ZD	BRACKET, RADIATOR	1		
16-32	K6030060352	PIN, FLAT HEAD M6-35	2		
16-33	K3198200500	TRIM, SEAL 4100-32A-50	2		
16-34	K1520000090	HOOK, RUBBER SMALL	2		
16-35	LM551--0530ZD	FULCRUM, OILCOOLER (RH)	1		
16-36	K3197202500	TRIM, SEAL 100-32-250	2		
16-37	K3197205200	TRIM, SEAL 100-32-520	1		
16-38	LM551--0529ZD	FULCRUM, OILCOOLER (LH)	1		
16-39	K0900300660	GROMMET, W/SEALING C30SG30A	2		
16-40	K1170028000	CABLE, 280	1		
16-41	K0000080702	BOLT, M8-70	1		
16-42	K0000080502	BOLT, M8-50	3		
16-43	LM2700-0561Z2	JOINT, TER39280AB	1		
16-44	LM2700-0562Z0	PACKING, 995714120	1		
16-45	LM2700-0563Z0	PLUG, DRAIN	1		
16-46	K0200060002	WASHER, SPRING M6	2		
16-47	K0000060152	BOLT, M6-15	2		
16-48	K3196005500	TUBE, CORRUGATED 13-550	1		
16-49	PFR1401-4227-0	ELEMENT, OUTER	1		

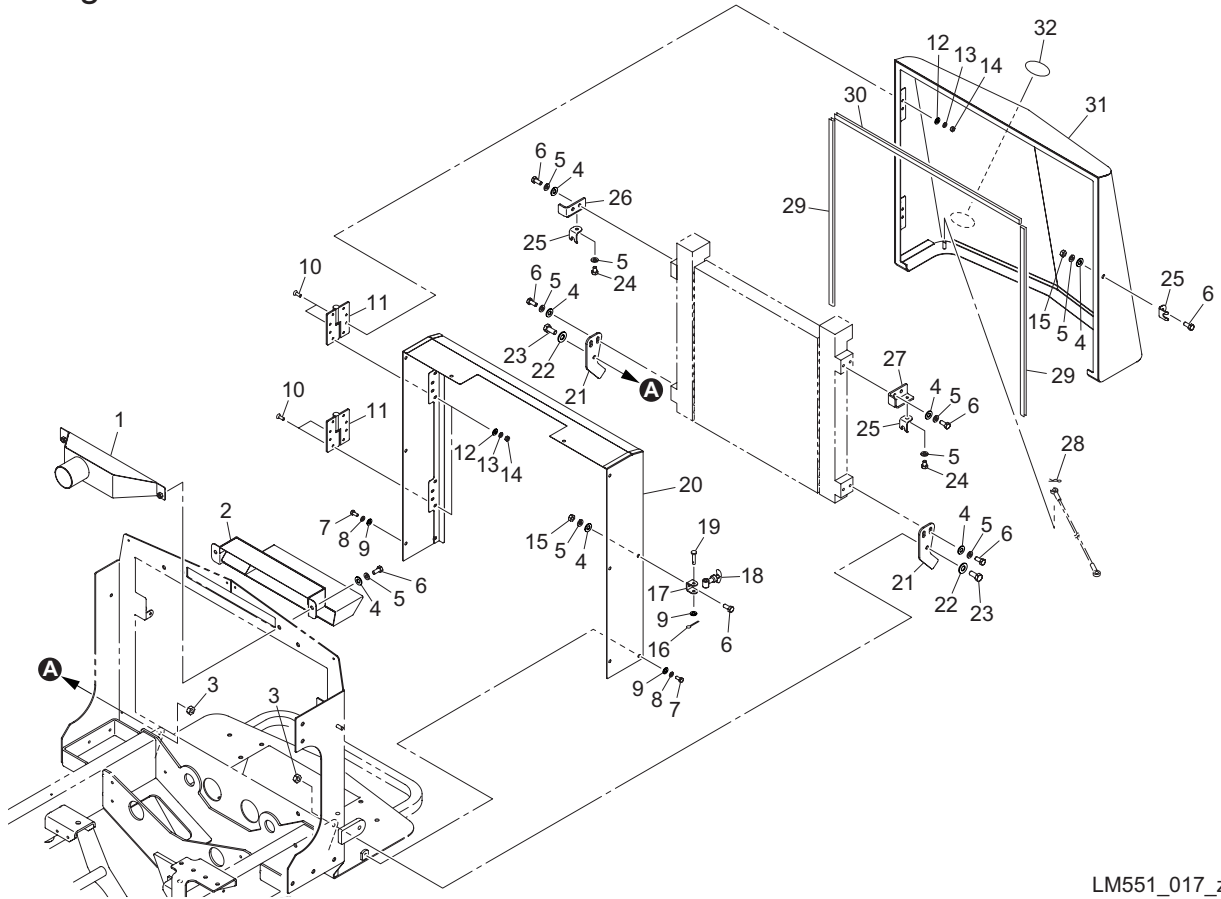
17.Engine section D

LM551A



LM551_017_z00

Cat No.	Code No.	Part name	Qty	Remark	SN of application
17-1	LM551--0556ZD	METAL, AIR INLET	1		
17-2	LM551--0550ZD	METAL, INLET	1		
17-3	K0102100002	NUT, M10-3	2		
17-4	K5000080002	WASHER, M8	12		
17-5	K0200080002	WASHER, SPRING M8	14		
17-6	K0000080202	BOLT, M8-20	12		
17-7	K0000060102	BOLT, M6-10	10		
17-8	K0200060002	WASHER, SPRING M6	10		
17-9	K5000060002	WASHER, M6	11		
17-10	K0041050162	SCREW, + FLAT HEAD M5-16	16		
17-11	K4521000040	HINGE, B-67-1-L	2		
17-12	K5000050002	WASHER, M5	16		
17-13	K0200050002	WASHER, SPRING M5	16		
17-14	K0100050002	NUT, M5	16		
17-15	K0100080002	NUT, M8	2		
17-16	K0300016202	PIN, COTTER M1.6-20	1		
17-17	K5200000102	BRACKET, RUBBER HOOK	1		
17-18	K1520000090	HOOK, RUBBER SMALL	1		
17-19	K6030060352	PIN, FLAT HEAD M6-35	1		
17-20	LM551--0549ZD	SPACER, COVER	1		
17-21	LM551--0507ZD	FULCRUM	2		
17-22	K5000100002	WASHER, M10	2		
17-23	K0000100202	BOLT, M10-20	2		
17-24	K0000080102	BOLT, M8-10	2		
17-25	K5270002352	RECEIVER, RUBBER HOOK	3		
17-26	LM551--0508ZD	PLATE, SECURING OIL COOLER	1		
17-27	LM551--0531ZD	PLATE, SECURING OIL COOLER (RH)	1		
17-28	K0330800008	PIN, SNAP M8	1		
17-29	K3198506200	TRIM, SEAL 4100-16A-620	2		
17-30	K3198507200	TRIM, SEAL 4100-16A-720	1		

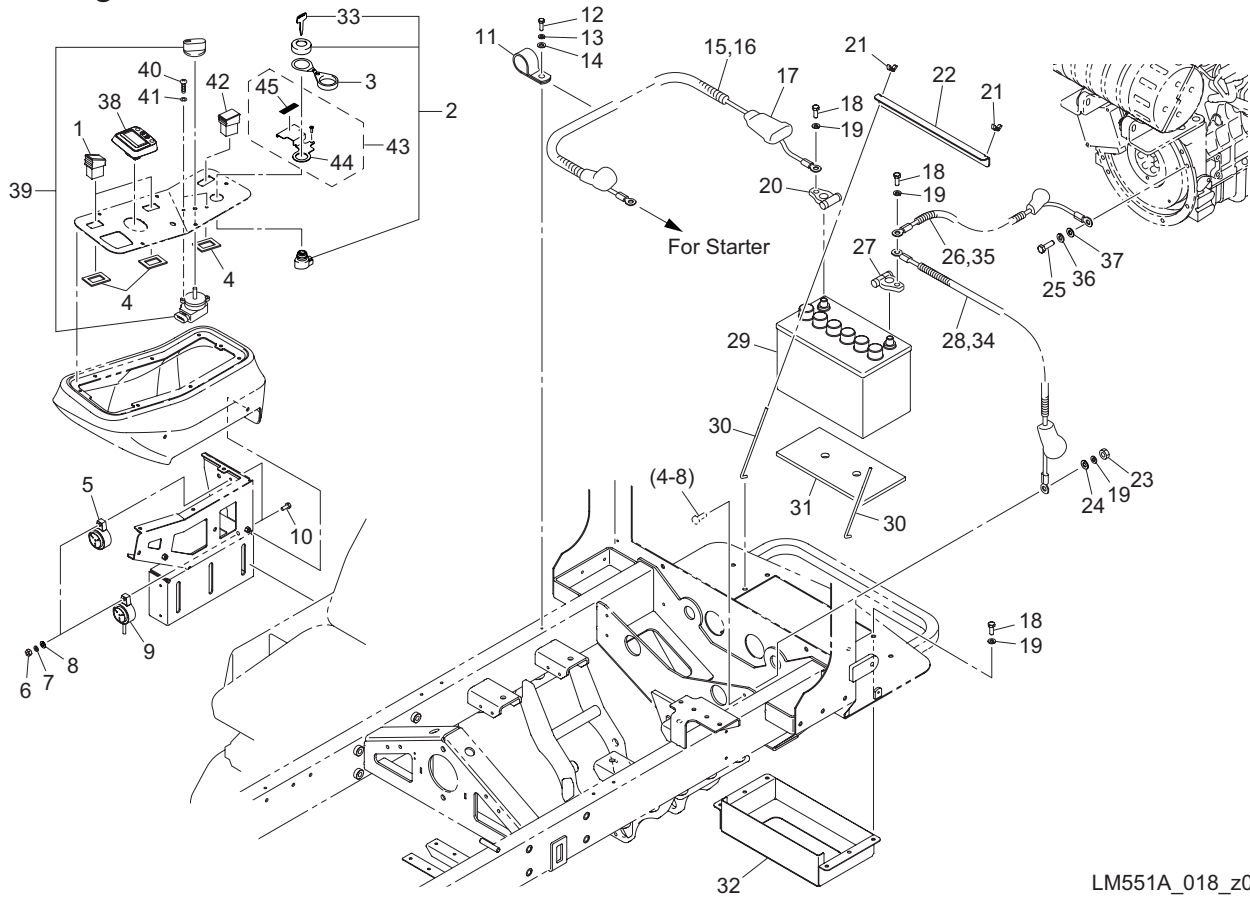


LM551_017_z00

Cat No.	Code No.	Part name	Qty	Remark	SN of application
17-31	LM551--0506ZD	COVER, RADIATOR	1		
17-32	LM551--1001Z0	STICKER, LM551A	1		

18.Engine section E

LM551A

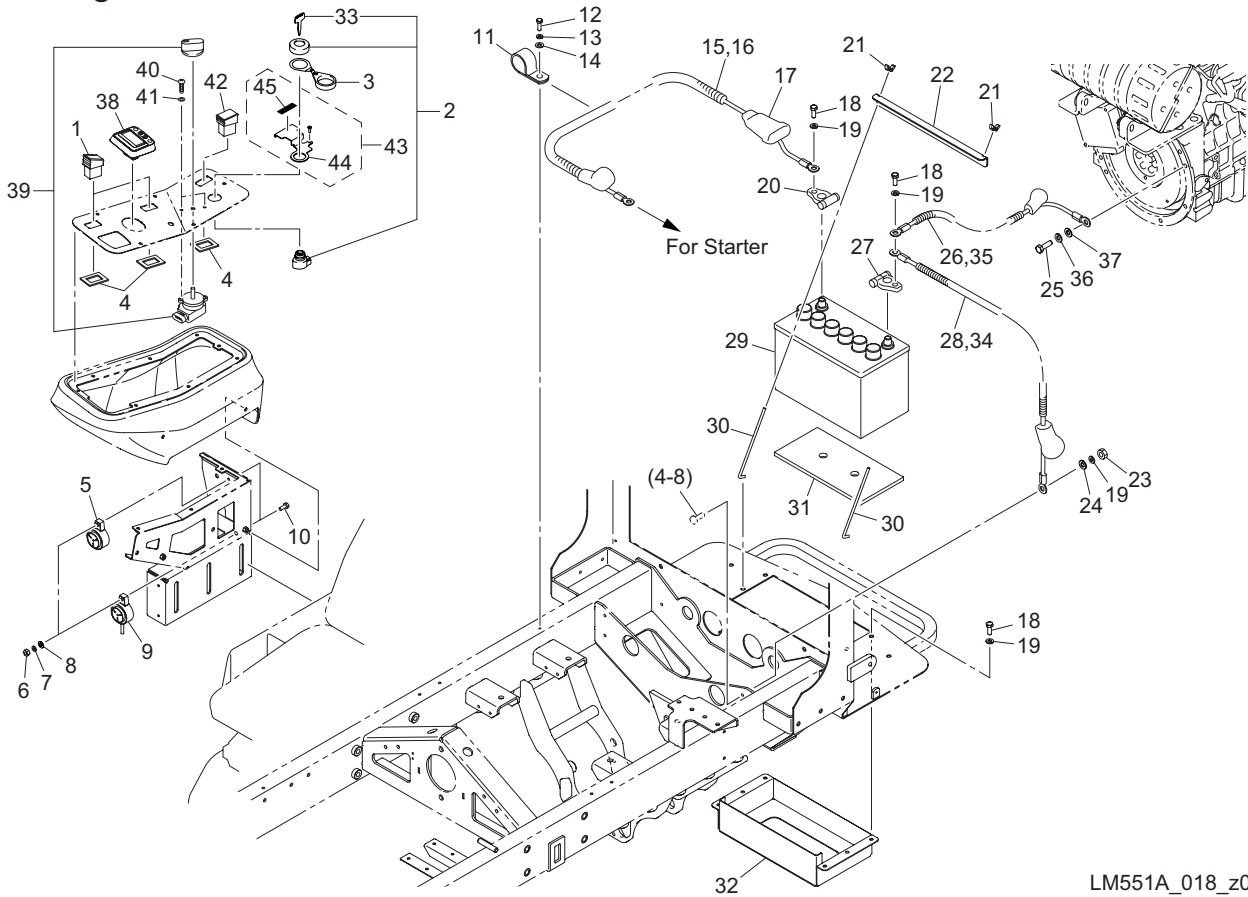


LM551A_018_z00

Cat No.	Code No.	Part name	Qty	Remark	SN of application
18-1	K3661000050	SWITCH, ROCKER	2		
18-2	PF15248-6359-0	SWITCH ASSY, STARTER	1		
18-3	PF54611-4112-0	CAP, STARTER SWITCH	1		
18-4	LM331--0557Z2	SPACER, FOR FIXING SWITCH	3		
18-5	K3700000010	BUZZER, EBM-12 TYPE	1		
18-6	K0100050002	NUT, M5	2		
18-7	K0200050002	WASHER, SPRING M5	2		
18-8	K5000050002	WASHER, M5	2		
18-9	K3700000030	BUZZER, EBS-12 W/STAY	1		
18-10	K0000050252	BOLT, M5-25	2		
18-11	K4270022060	CLIP, HARNESS 22 M6	1		
18-12	K0000060152	BOLT, M6-15	1		
18-13	K0200060002	WASHER, SPRING M6	1		
18-14	K5000060002	WASHER, M6	1		
18-15	K3610000660	WIRE, BATTERY (+) 1190	1		
18-16	K3196010600	TUBE, CORRUGATED 13-1060	1		
18-17	K3614000010	COVER, BATTERY TERMINAL MULTI TYPE	1		
18-18	K0000080202	BOLT, M8-20	6		
18-19	K0200080002	WASHER, SPRING M8	7		
18-20	K3612000120	TERMINAL, BATTERY MULTI TYPE	1		
18-21	K0141060002	NUT, WING M6-3	2		
18-22	LM551--0554ZD	CLAMPER, BATTERY	1		
18-23	K0100080002	NUT, M8	1		
18-24	K5000080002	WASHER, M8	1		
18-25	K0001100202	BOLT, P1.25 M10-20	1		
18-26	K3611000540	WIRE, TO EARTH 1360	1		
18-27	K3612000080	TERMINAL, BATTERY (-) 4013-D-8-1	1		
18-28	K3611000530	WIRE, TO EARTH 800	1		
18-29	K3600000280	BATTERY, FX105D31L	1		
18-30	LM551--0568Z2	ROD, W/M6	2		

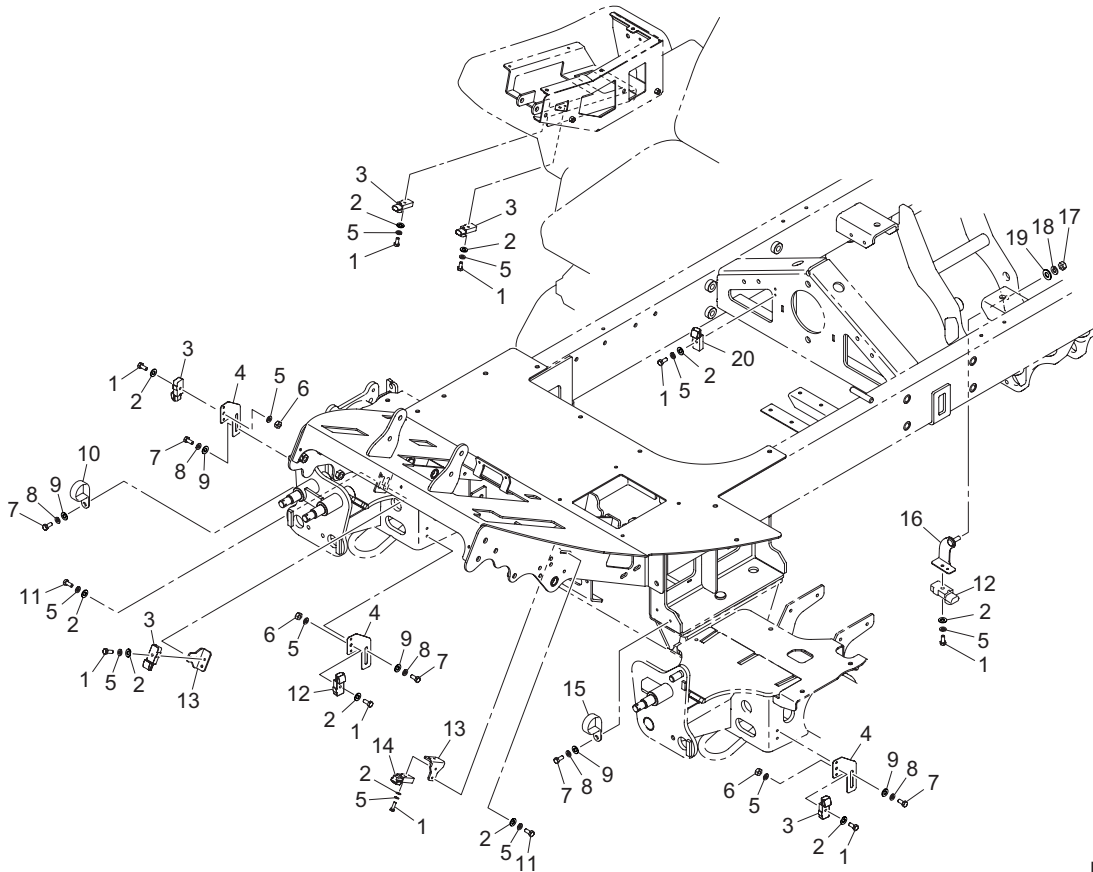
18.Engine section E

LM551A



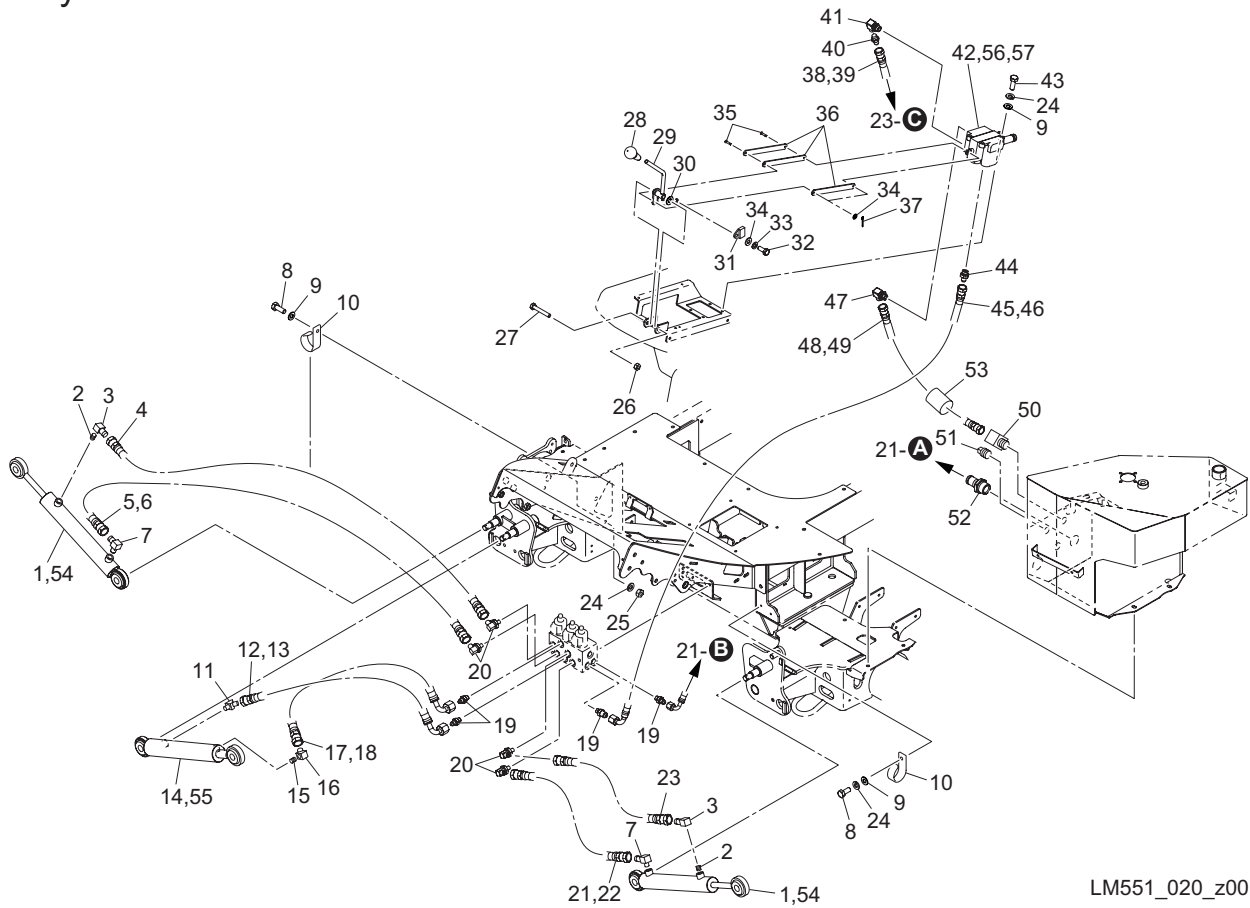
LM551A_018_z00

Cat No.	Code No.	Part name	Qty	Remark	SN of application
18-31	K4035000140	RUBBER, VIBRATION PROOF FOR BATTERY	1		
18-32	LM551--0555ZD	CASE, BATTERY	1		
18-33	PF15248-6370-0	KEY, STARTER	1		
18-34	K3196012600	TUBE, CORRUGATED 13-1260	1		
18-35	K3195007000	TUBE, CORRUGATED 15-700	1		
18-36	K0200100002	WASHER, SPRING M10	1		
18-37	K5000100002	WASHER, M10	1		
18-38	K3655000020	DISPLAY, PV101-C	1		
18-39	K3691000020	POTENTIOMETER, WCS-403571	1		
18-40	K0042050152	SCREW, + ROUND HEAD M5-15	2		
18-41	K0200050002	WASHER, SPRING M5	2		
18-42	K3661000100	SWITCH, ROCKER M	1		
18a-43	LM551--6601Z0	GUARD COMP, SWITCH (EN)	1		
18-44	LM551--6502ZD	GUARD, SWITCH	1		
18a-45	K4205002240	DECAL, INSTRUCTING OPERATION (EN)	1		



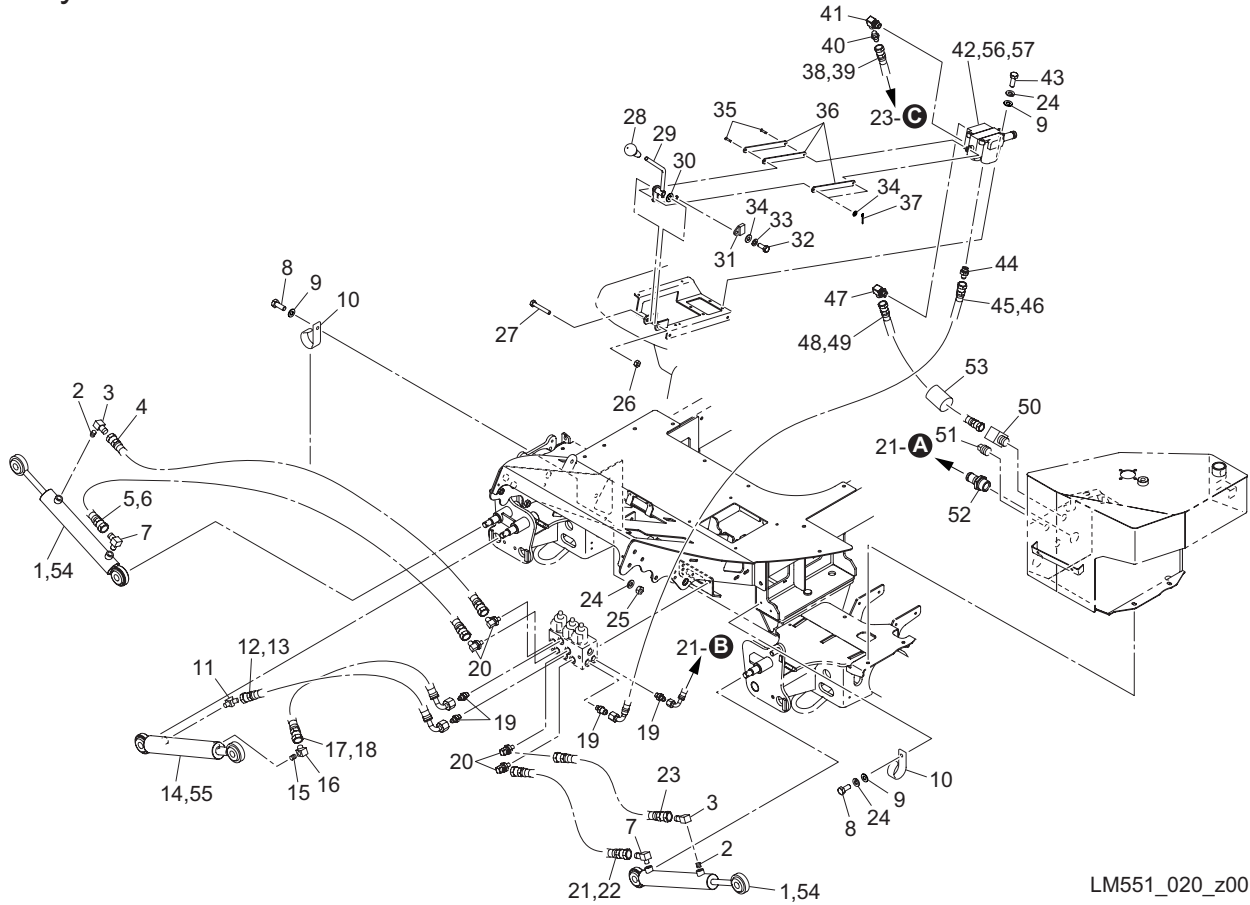
LM551_019_z00

Cat No.	Code No.	Part name	Qty	Remark	SN of application
19-1	K0000050202	BOLT, M5-20	9		
19-2	K5000050002	WASHER, M5	13		
19-3	K3720000150	SWITCH, PROXIMITY NO V-in	5		
19-4	LM551--0532AD	BRACKET, RAISE/LOWER SENSOR	3		
19-5	K0200050002	WASHER, SPRING M5	13		
19-6	K0100050002	NUT, M5	3		
19-7	K0000060152	BOLT, M6-15	8		
19-8	K0200060002	WASHER, SPRING M6	8		
19-9	K5000060002	WASHER, M6	8		
19-10	K4270022060	CLIP, HARNESS 22 M6	1		
19-11	K0000050122	BOLT, M5-12	4		
19-12	K3720000170	SWITCH, PROXIMITY NC V-in	2		
19-13	LM551--0629Z2	PLATE, PARKING BRAKE SENSOR	2		
19-14	K3720000140	SWITCH, PROXIMITY NC V-out	1		
19-15	K4270015060	CLIP, HARNESS 15 M6	1		
19-16	LM551--0533ZD	BRACKET, #2 SENSOR	1		
19-17	K0100080002	NUT, M8	1		
19-18	K0200080002	WASHER, SPRING M8	1		
19-19	K5000080002	WASHER, M8	1		
19-20	K3720000160	SWITCH, PROXIMITY NO V-out	1		



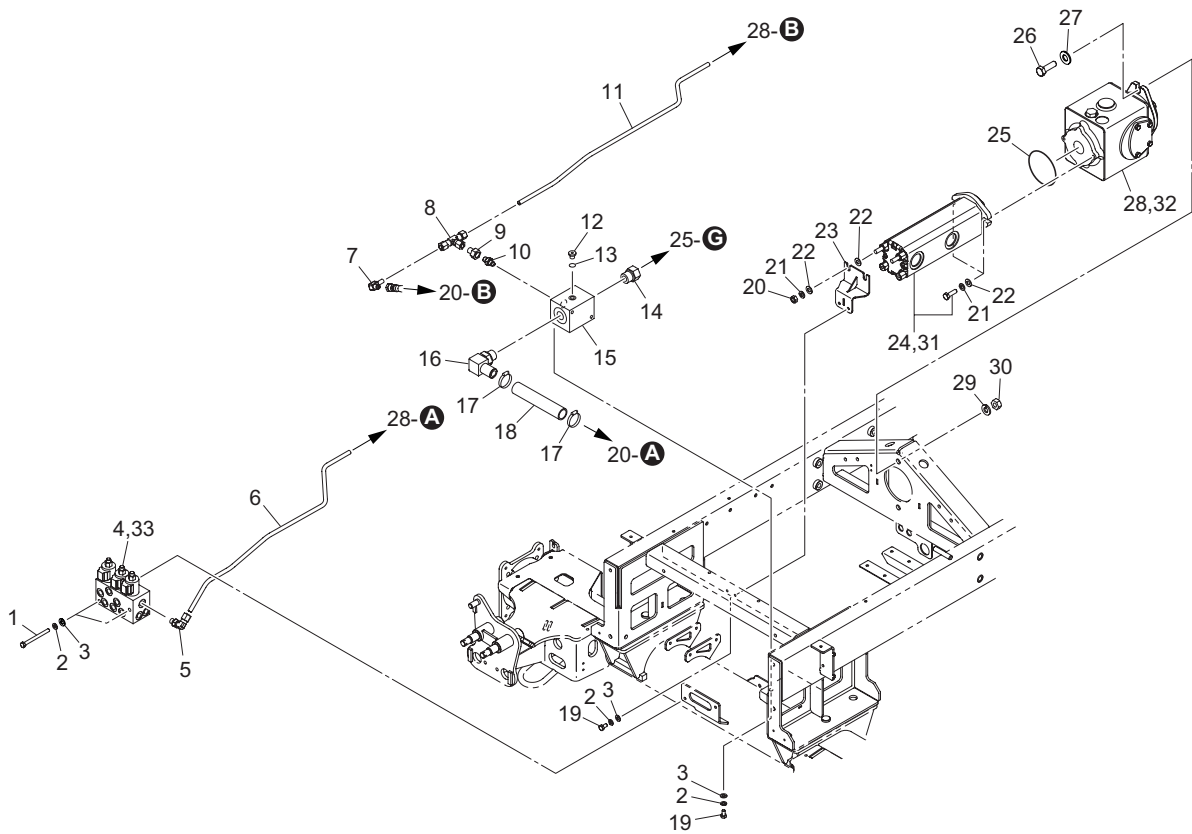
LM551_020_z00

Cat No.	Code No.	Part name	Qty	Remark	SN of application
20-1	K3207000050	CYLINDER, 35-204 387	2		
20-2	K0023000061-Y	SETSCREW, M6-6-1.6	2		
20-3	K3029000252-Y	ELBOW, 90 DEG 1033-6M6	2		
20-4	LM551--0867Z0	HOSE, WP140-6-1-970	1		
20-5	K3100211310	HOSE, WP35-6-1-1310	1		
20-6	K3189012100	TUBE, SPIRAL SP-10 1210	1		
20-7	K3001060002-Y	ELBOW, 90 DEG 1033-6	2		
20-8	K0000080202	BOLT, M8-20	2		
20-9	K5000080002	WASHER, M8	6		
20-10	K4270030080	CLIP, HARNESS 30 M8	2		
20-11	K3003060002-Y	ELBOW, 45 DEG 1035-6	1		
20-12	K3100230490	HOSE, WP35-6-3-490	1		
20-13	K3189003900	TUBE, SPIRAL SP-10 390	1		
20-14	K3207000030	CYLINDER, 35-121 410	1		
20-15	K0023000051-Y	SETSCREW, M6-6-1.2	1		
20-16	K3029000372-Y	ELBOW, 45-1035-6M6	1		
20-17	K3103230490	HOSE, WP140-6-3-490	1		
20-18	K3189003900	TUBE, SPIRAL SP-10 390	1		
20-19	K3008000232-Y	CONNECTOR, W/O-RING PF1/4*PF1/4	4		
20-20	K3008000442-Y	ELBOW, ADJUSTABLE 90 DEG 1086-6	4		
20-21	K3100210740	HOSE, WP35-6-1-740	1		
20-22	K3189006400	TUBE, SPIRAL SP-10 640	1		
20-23	LM551--0868Z0	HOSE, WP140-6-1-990	1		
20-24	K0200080002	WASHER, SPRING M8	6		
20-25	K0100080002	NUT, M8	1		
20-26	K0144100002	NUT, W/F-RING M10	1		
20-27	K0003100602	BOLT, M10-60	1		
20-28	K1300000050	GRIP, RUBBER RED 9-35.5	1		
20-29	LM551--0843Z3	LEVER, LIFTING	1		
20-30	K5051010180	WASHER, C5191P 1-10-18	1		



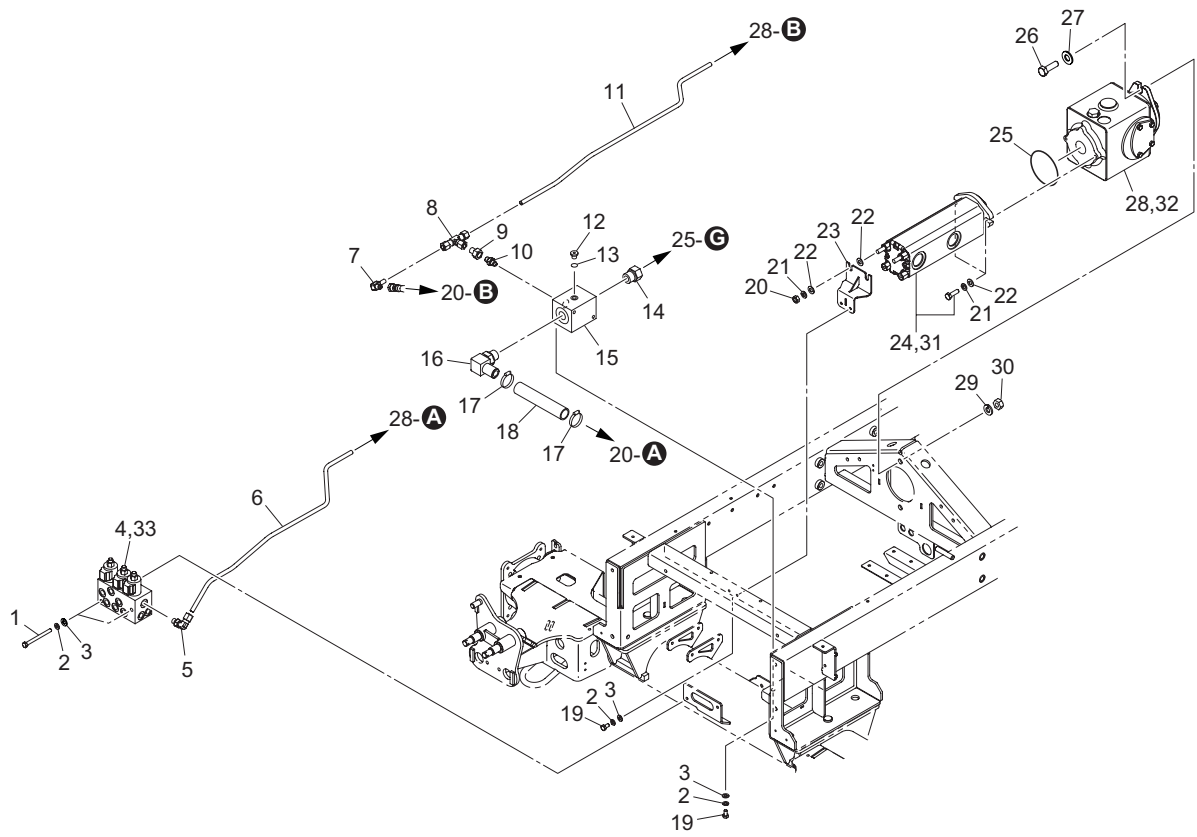
LM551_020_z00

Cat No.	Code No.	Part name	Qty	Remark	SN of application
20-31	K1510000110	MAGNET, W/PLASTIC BASE	1		
20-32	K0000050102	BOLT, M5-10	1		
20-33	K0200050002	WASHER, SPRING M5	1		
20-34	K5000050002	WASHER, M5	3		
20-35	K6041045208	PIN, ROUND HEAD HT M4.5-20	2		
20-36	LM551--0842Z2	PLATE, CONNECTING	3		
20-37	K0300020122	PIN, COTTER M2-12	2		
20-38	K3103231130	HOSE, WP140-6-3-1130	1		
20-39	K3189010300	TUBE, SPIRAL SP-10 1030	1		
20-40	K3000060002-Y	ADAPTER, 1013-6	1		
20-41	K3008000082-Y	ELBOW, ADJUSTABLE 90 DEG PF3/8PT1/4	1		
20-42	K3300000210	VALVE, STACK SV3-1230	1		
20-43	K0000080252	BOLT, M8-25	4		
20-44	K3009000202-Y	ADAPTER, PF1/4*PF3/8	1		
20-45	K3103231540	HOSE, WP140-6-3-1540	1		
20-46	K3189014400	TUBE, SPIRAL SP-10 1440	1		
20-47	K3008000032-Y	ELBOW, ADJUSTABLE 90 DEG 1086-9	1		
20-48	K3100311840	HOSE, WP35-9-1-1840	1		
20-49	K3191018000	TUBE, SPIRAL SP-15 1800	1		
20-50	K3003090002-Y	ELBOW, 45 DEG 1035-9	1		
20-51	K1422106001-Y	PLUG, TAPERED W/HEX HOLE T1 3/8	1		
20-52	K3009000132-Y	ADAPTER, MO-JS-25	1		
20-53	K3172301000	HOSE, VINYL 25*30-100	1		
20-54	YK3207-2	SEAL KIT	2		
20-55	YK3207-1	SEAL KIT	1		
20-56	YSV3-010-IC27	SEAL KIT, INLET COVER	1		
20-57	YSV3-010-ISB222	SEAL KIT, ISB BLOCK ASSY	1		



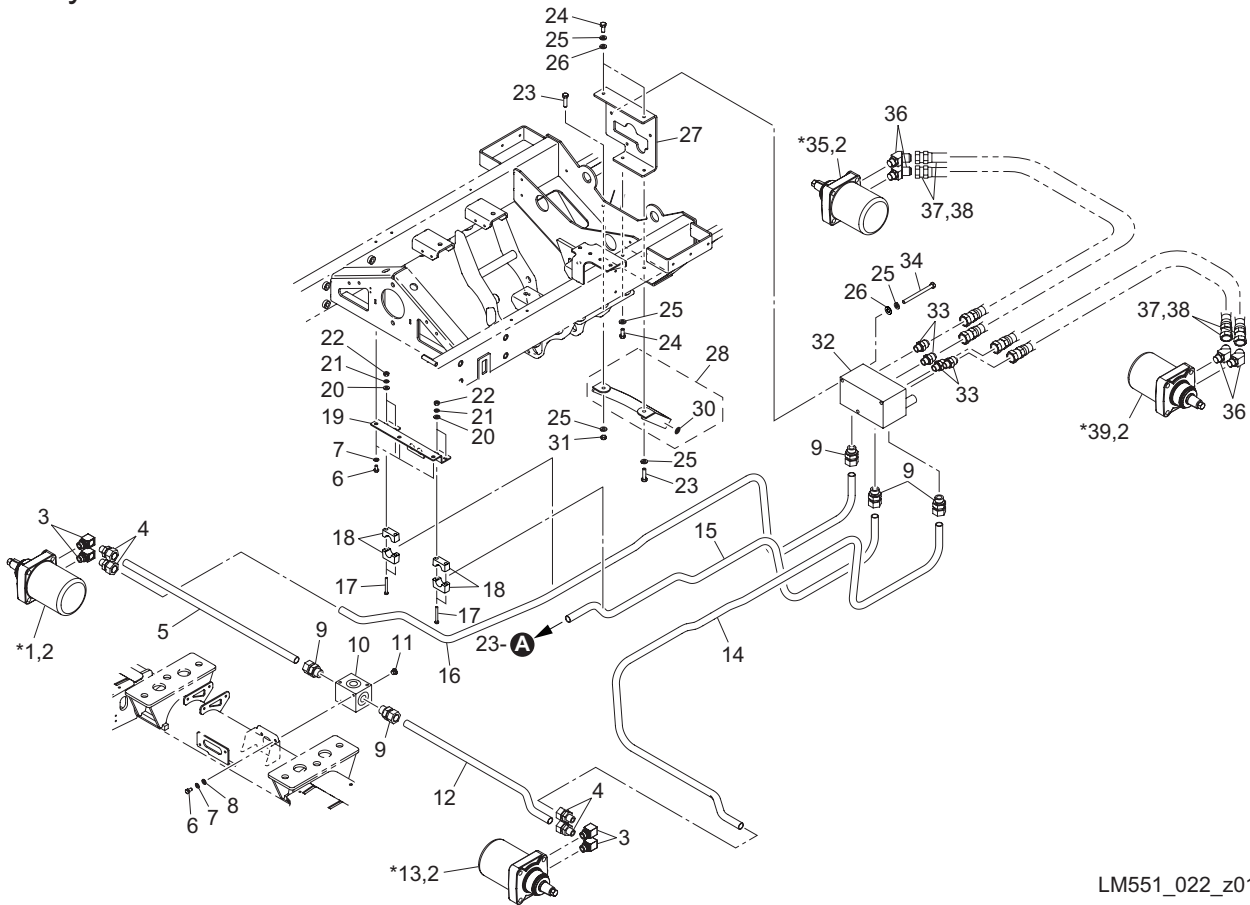
LM551_021_z01

Cat No.	Code No.	Part name	Qty	Remark	SN of application
21-1	K0003080752	BOLT, M8-75	2		
21-2	K0200080002	WASHER, SPRING M8	6		
21-3	K5000080002	WASHER, M8	6		
21-4	K3313000680	VALVE COMP, SOLENOID HF85482-13	1		
21-5	K3026410041-Y	NIPPLE, KLO 10-020KNNT	1		
21-6	LM551--0839Z2-Y	PIPE, 10 LIFTING H	1		
21-7	K3028510041-Y	ELBOW, FOR HOSE HLD 10-20E	1		
21-8	K3027010001-Y	TEE, KTB 10-000E	1		
21-9	K3026310081-Y	CONNECTOR, KCO 10-040E	1		
21-10	K3029000312-Y	BUSHING, PF1/2*PF3/4	1		
21-11	LM551--0840Z2-Y	PIPE, 10 LIFTING L	1		
21-12	K1420000222-Y	PLUG, W/O-RING 215-PF1/4	1		
21-13	K0881024000	O-RING, P24B	1		
21-14	K3026325121-Y	CONNECTOR, KCO 25-060E	1		
21-15	K3321000080-Y	MANIFOLD, AGGREGATED PF3/4	1		
21-16	K3008000602-Y	CONNECTOR, MALE 90 DEG 16-3/4	1		
21-17	K4260000190	CLAMP, HOSE JUBILEE BAND 1	2		
21-18	K3149010170	HOSE, S-25-170	1		
21-19	K0000080152	BOLT, M8-15	4		
21-20	K0100100002	NUT, M10	2		
21-21	K0200100002	WASHER, SPRING M10	4		
21-22	K5000100002	WASHER, M10	6		
21-23	LM551--0846ZD	PLATE, SECURING GEAR PUMP	1		
21-24	K3254000010	PUMP, PLP20_10.5-10.5-3.9-6.3	1		
21-25	K0887001520	O-RING, AS568-152	1		
21-26	K0013140452	BOLT, HT M14-45	2		
21-27	K5000140002	WASHER, M14	2		
21-28	K3240000040	PUMP, PISTON LPV35-11T	1		
21-29	K0200140002	WASHER, SPRING M14	2		
21-30	K0100140002	NUT, M14	2		



LM551_021_z01

Cat No.	Code No.	Part name	Qty	Remark	SN of application
21-31	YCA62029540	SEAL KIT, PUMP	1		
21-32	Y4510463	SEAL KIT, PISTON PUMP (OVERHAUL)	1		
21-33	YZ40068514	SEAL KIT, SK08-2N-T/B (HF)	1		

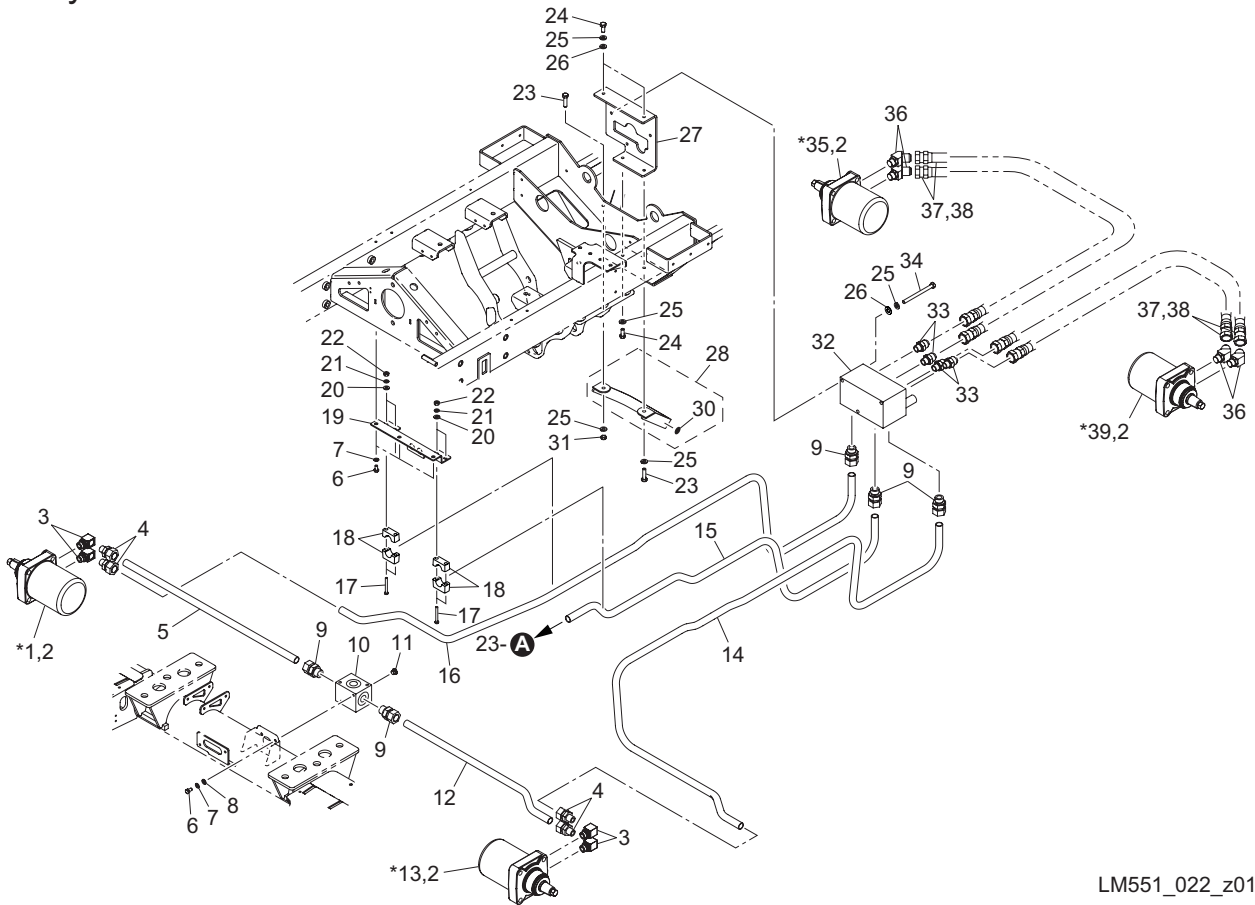


LM551_022_z01

Cat No.	Code No.	Part name	Qty	Remark	SN of application
22-1	K3292000050	MOTOR, WHEEL TGK405US081	1	Front RH	
22-2	SK000324	SEAL KIT	4		
22-3	K3008000822-Y	ELBOW, O-RING 4045-10-8	4		
22-4	K3026622081-Y	CONNECTOR, KCT 22-040E	4		
22-5	LM551--0815Z2-Y	PIPE, 22 TRAVELLING (MANIFOLD-MOTOR (RH))	1		
22-6	K0000080152	BOLT, M8-15	4		
22-7	K0200080002	WASHER, SPRING M8	4		
22-8	K5000080002	WASHER, M8	1		
22-9	K3026322121-Y	CONNECTOR, KCO 22-060E	5		
22-10	K3321000080-Y	MANIFOLD, AGGREGATED PF3/4	1		
22-11	K1420000222-Y	PLUG, W/O-RING 215-PF1/4	1		
22-12	LM551--0816Z2-Y	PIPE, 22 TRAVELLING (MANIFOLD-MOTOR (LH))	1		
22-13	K3292000060	MOTOR, WHEEL TGK405US080	1	Front LH	
22-14	LM551--0861Z2-Y	PIPE, 22 TRAVELLING (MOTOR (LH)-AWDV)	1		
22-15	LM551--0862Z2-Y	PIPE, 22 TRAVELLING (AWDV-P)	1		
22-16	LM551--0860Z2-Y	PIPE, 22 TRAVELLING (MOTOR (RH)-AWDV)	1		
22-17	K0000060502	BOLT, M6-50	4		
22-18	K4260000290	CLAMP, PLASTIC FPR PIPE 3Gr15A	2		
22-19	LM551--0832Z2	BRACKET, PIPE	1		
22-20	K5000060002	WASHER, M6	4		
22-21	K0200060002	WASHER, SPRING M6	4		
22-22	K0100060002	NUT, M6	4		
22-23	K0000100302	BOLT, M10-30	2		
22-24	K0000100202	BOLT, M10-20	3		
22-25	K0200100002	WASHER, SPRING M10	8		
22-26	K5000100002	WASHER, M10	5		
22-27	LM551--0818ZD	MOUNT, VALVE	1		
22-28	LM551--0656Z0	GUARD COMP, REAR UNDER	1		
22-29					
22-30	K4205002220	DECAL, DO NOT JACKUP	1		

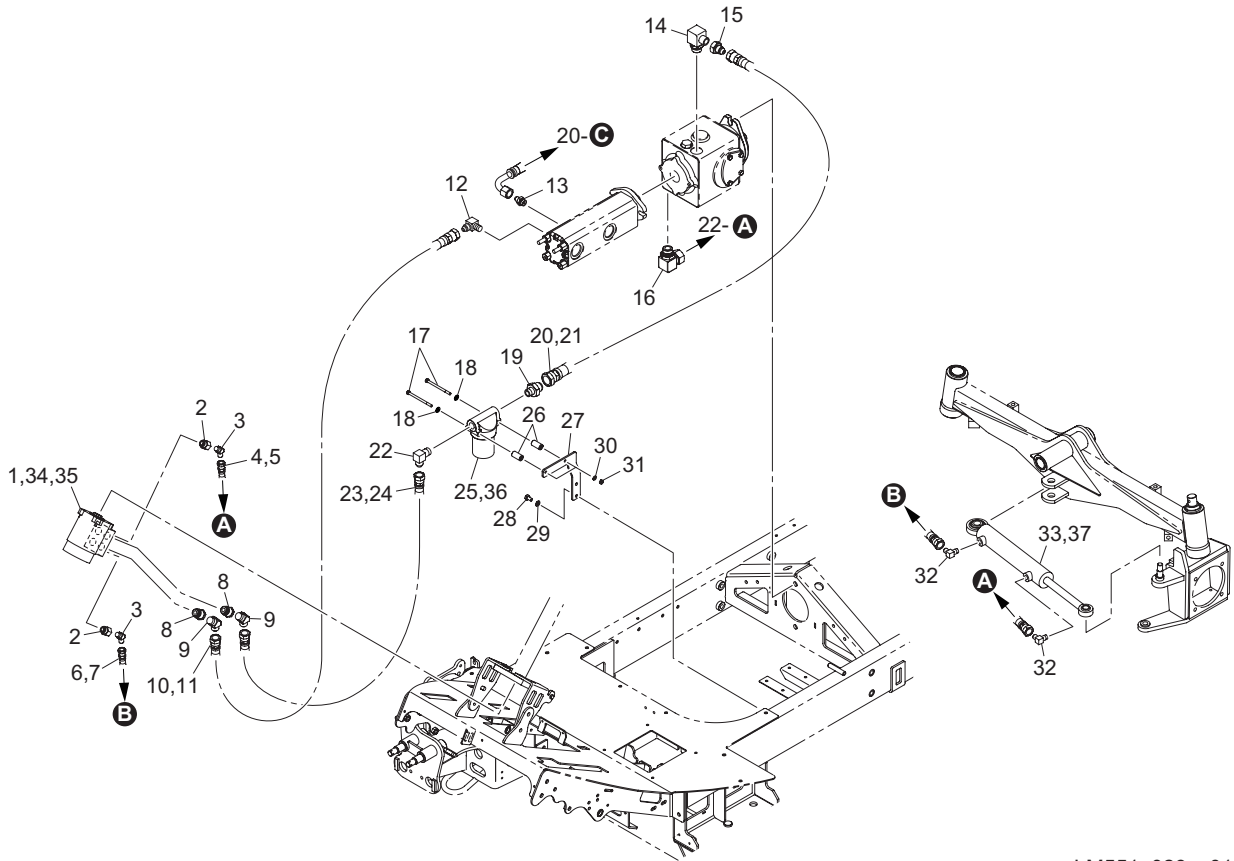
22.Hydraulic section C

LM551A



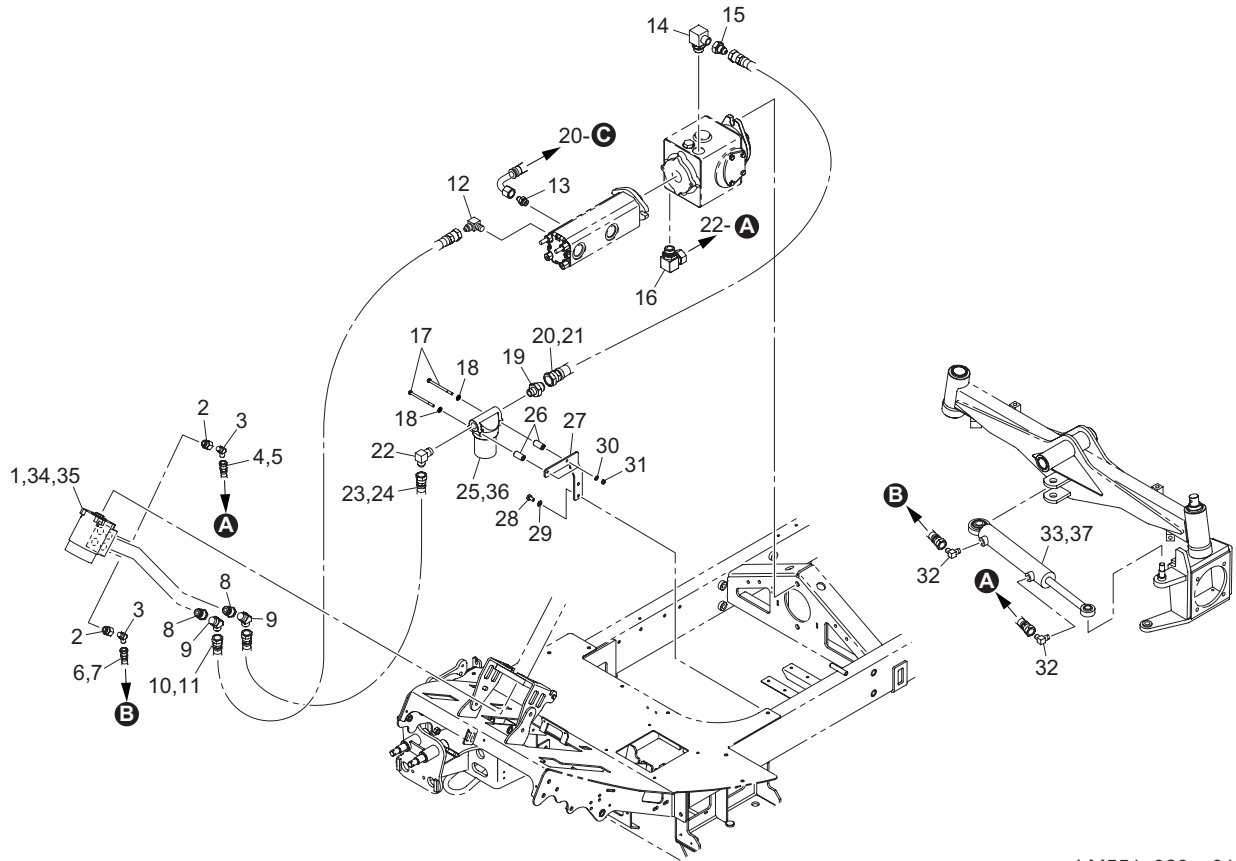
LM551_022_z01

Cat No.	Code No.	Part name	Qty	Remark	SN of application
22-31	K0100100002	NUT, M10	1		
22-32	K3315000070	VALVE COMP, CROSS RELIEF YHFD-0108 HF98155-15	1		
22-33	K3008000592-Y	CONNECTOR, ODD SIZED 1084-3/4-1/2-S	4		
22-34	K0013101202	BOLT, HT M10-120	3		
22-35	K3292000030	MOTOR, WHEEL TGK310US081	1	Rear RH	
22-36	K3008000762-Y	ELBOW, ADJUSTABLE UNF45-1129-15	4		
22-37	K3107511200	HOSE, WP280-15-1-1200	4		
22-38	K3192011000	TUBE, SPIRAL SP-20-1100	4		
22-39	K3292000040	MOTOR, WHEEL TGK310US080	1	Rear LH	



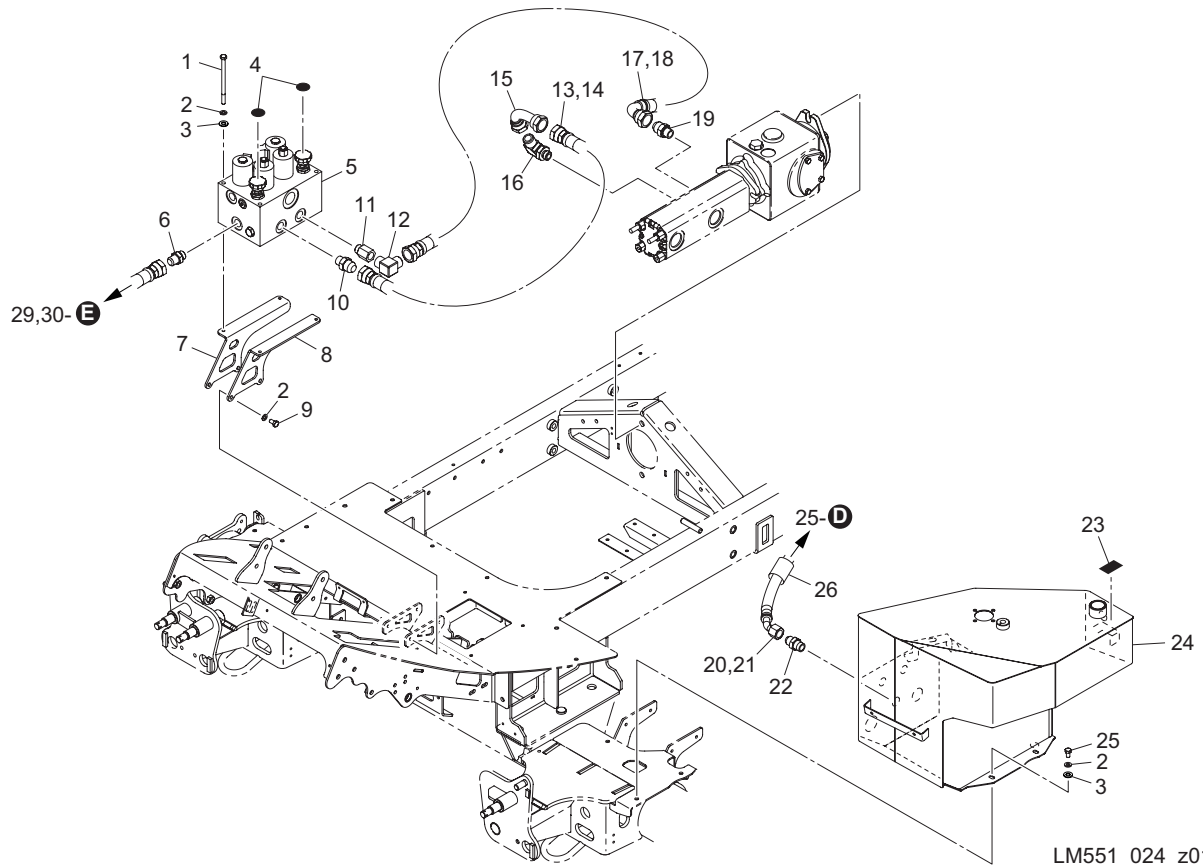
LM551_023_z01

Cat No.	Code No.	Part name	Qty	Remark	SN of application
23-1	K3295000030	STEERING CNTL UNIT ASSY, ORBITROL AL03064	1		
23-2	K3029000272-Y	BUSHING, SPECIAL 3/4-16UNFPT1/4	2		
23-3	K3003060002-Y	ELBOW, 45 DEG 1035-6	2		
23-4	K3102212900	HOSE, WP105-6-1-2900	1		
23-5	K3189028000	TUBE, SPIRAL SP-10 2800	1		
23-6	K3102212700	HOSE, WP105-6-1-2700	1		
23-7	K3189026000	TUBE, SPIRAL SP-10 2600	1		
23-8	K3008000692-Y	CONNECTOR, W/O-RING 4043-8-8	2		
23-9	K3003120002-Y	ELBOW, 45 DEG 1035-12	2		
23-10	K3102410790	HOSE, WP105-12-1-790	1		
23-11	K3192006900	TUBE, SPIRAL SP-20 690	1		
23-12	K3008000192-Y	ADAPTER, ODD SIZED 90 PF1/2*PF3/8	1		
23-13	K3009000202-Y	ADAPTER, PF1/4*PF3/8	1		
23-14	K3008000822-Y	ELBOW, O-RING 4045-10-8	1		
23-15	K3000120002-Y	ADAPTER, 1013-12	1		
23-16	K3008000812-Y	ELBOW, O-RING 1204-22-1, 1/16	1		
23-17	K0003060902	BOLT, M6-90	2		
23-18	K5000060002	WASHER, M6	2		
23-19	K3000120002-Y	ADAPTER, 1013-12	1		
23-20	K3100410270	HOSE, WP35-12-1-270	1		
23-21	K3192001700	TUBE, SPIRAL SP-20 170	1		
23-22	K3001120002-Y	ELBOW, 90 DEG 1033-12	1		
23-23	K3100410900	HOSE, WP35-12-1-900	1		
23-24	K3192008000	TUBE, SPIRAL SP-20 800	1		
23-25	K3412000080	FILTER, CARTRIDGE DT-04A-10X	1		
23-26	K6210000162	COLLAR, SS41 6.5-16-31	2		
23-27	LM551--0812ZD	BRACKET, FILTER	1		
23-28	K0000080152	BOLT, M8-15	2		
23-29	K0200080002	WASHER, SPRING M8	2		
23-30	K0200060002	WASHER, SPRING M6	2		



LM551_023_z01

Cat No.	Code No.	Part name	Qty	Remark	SN of application
23-31	K0100060002	NUT, M6	2		
23-32	K3001060002-Y	ELBOW, 90 DEG 1033-6	2		
23-33	K3213000420	CYLINDER, 40-187 393	1		
23-34	Y00420011T	SEAL KIT 406100	1		
23-35	Y00420012T	NEEDLE BEARING KIT 407200	1		
23-36	K3412000090	FILTER, CARTRIDGE DTE-04A-10X (SUBSTITUTE)	1		
23-37	YIS-40G-SK	SEAL KIT, CYLINDER	1		

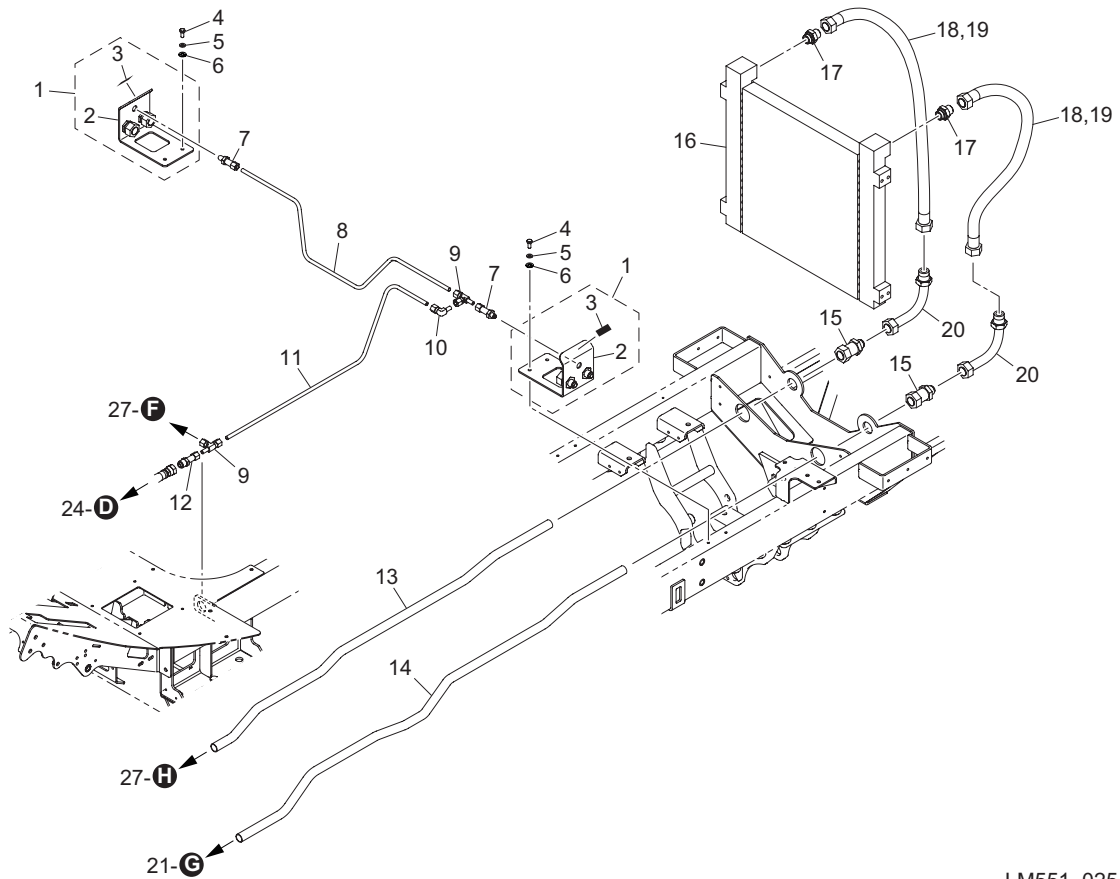


LM551_024_z01

Cat No.	Code No.	Part name	Qty	Remark	SN of application
24-1	K0003081302	BOLT, M8-130	4		
24-2	K0200080002	WASHER, SPRING M8	12		
24-3	K5000080002	WASHER, M8	8		
24-4	K4209001590	DECAL, INSTRUCTING REEL ROTATION	2		
24-5	K3313000610	VALVE COMP, SOLENOID HF96525-14	1		
24-6	K3009000092-Y	ADAPTER, PF1/2*PF1/2	1		
24-7	LM551--0824ZD	BRACKET, VALVE ROTATING MOWER (RH)	1		
24-8	LM551--0825ZD	BRACKET, VALVE ROTATING MOWER (LH)	1		
24-9	K0000080152	BOLT, M8-15	4		
24-10	K3008000592-Y	CONNECTOR, ODD SIZED 1084-3/4-1/2-S	1		
24-11	K3029000012-Y	BUSHING, PF1/2*PT1/2	1		
24-12	K3006000122-Y	ELBOW, ODD SIZED PT1/2*PF3/4	1		
24-13	K3105610490	HOSE, WP210-19-1-490	1		
24-14	K3192003900	TUBE, SPIRAL SP-20 390	1		
24-15	K3025069122-Y	ADAPTER, FOR PIPE 069-12	1		
24-16	K3008000462-Y	ELBOW, 90 DEG. ODD SIZED PF3/4*PF1/2	1		
24-17	K3105630490	HOSE, WP210-19-3-490	1		
24-18	K3192003900	TUBE, SPIRAL SP-20 390	1		
24-19	K3008000592-Y	CONNECTOR, ODD SIZED 1084-3/4-1/2-S	1		
24-20	K3100420300	HOSE, WP35-12-2-300	1		
24-21	K3192001300	TUBE, SPIRAL SP-20 130	1		
24-22	K3000120002-Y	ADAPTER, 1013-12	1		
24-23	K4209000980	DECAL, HYDRAULIC OIL	1		
24-24	LM551--0804ZD-Y	TANK, HYDRAULIC	1		
24-25	K0000080202	BOLT, M8-20	4		
24-26	K3172301000	HOSE, VINYL 25*30-100	1		

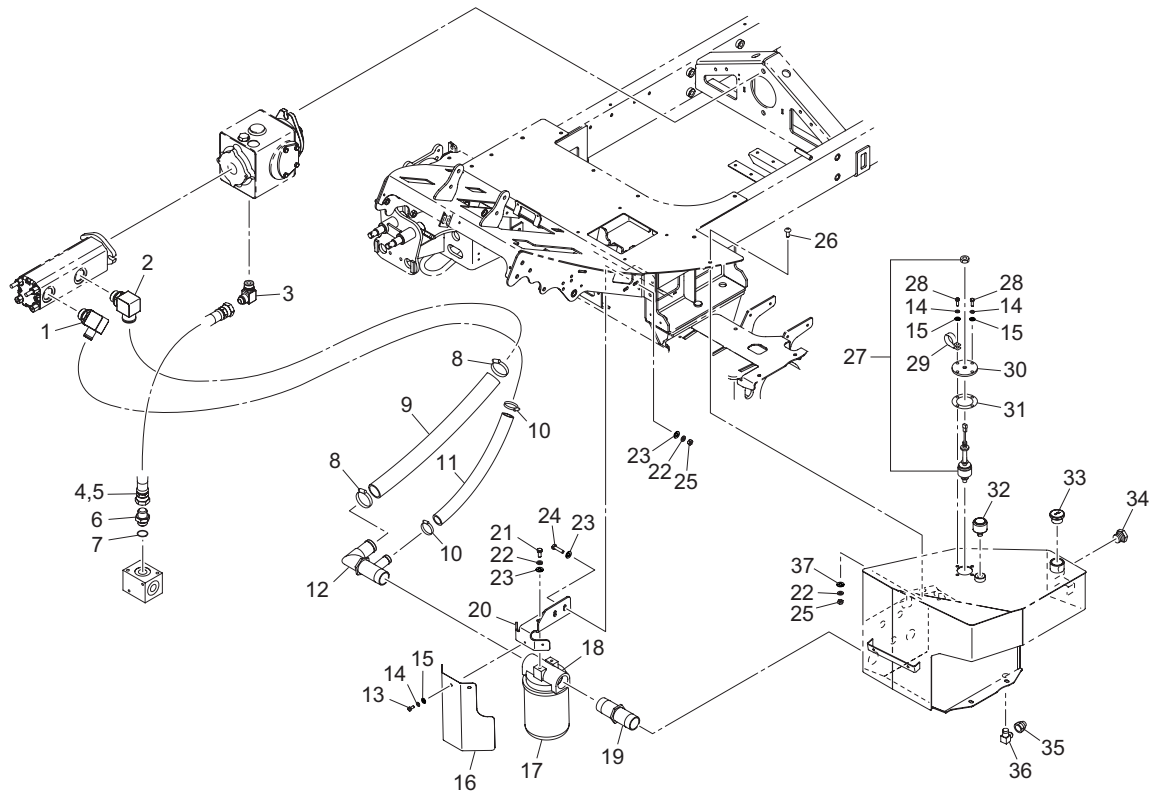
25. Hydraulic section F

LM551A



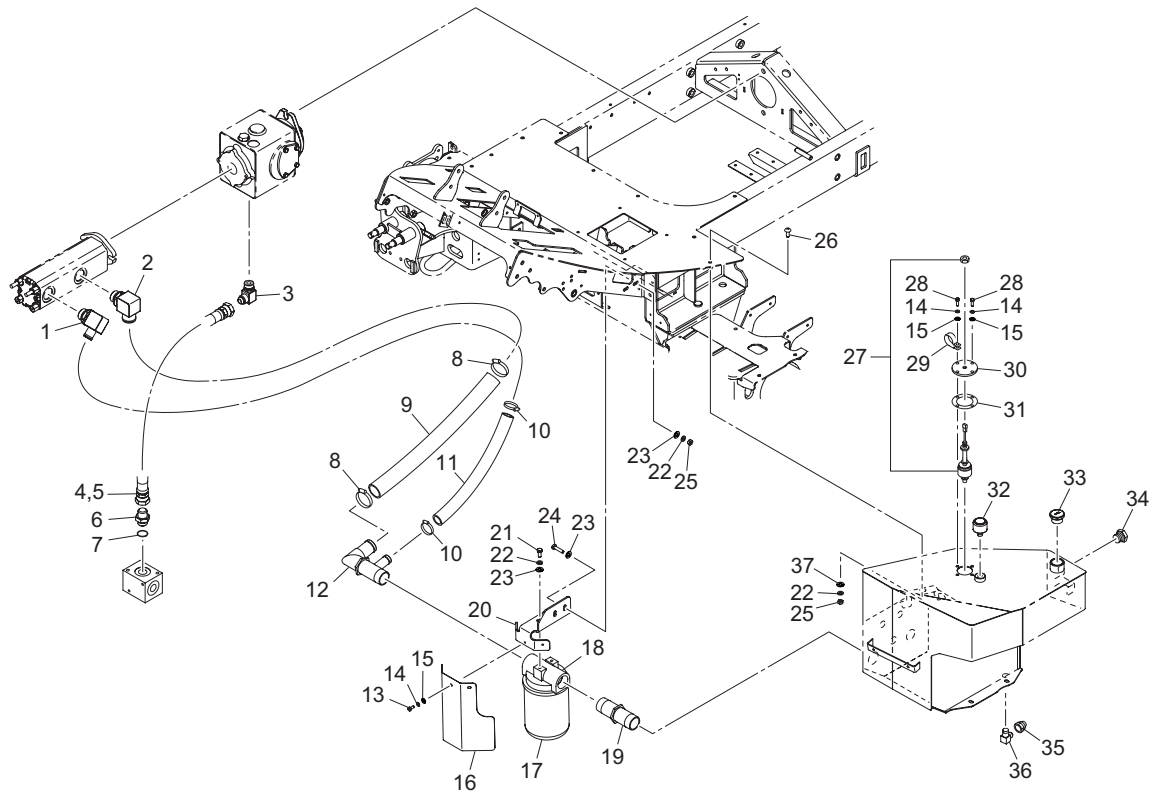
LM551_025_z01

Cat No.	Code No.	Part name	Qty	Remark	SN of application
25-1	LM551--0869Z0	BRACKET, PIPE #2&3 MOWER	2		
25-2	LM551--0838Z2-Y	BRACKET, PIPE #2 & 3 MOWER	2		
25-3	K4205001930	DECAL, CAUTION TO INJURE	2		
25-4	K0000080202	BOLT, M8-20	4		
25-5	K5000080002	WASHER, M8	4		
25-6	K0200080002	WASHER, SPRING M8	4		
25-7	K3026910041-Y	UNION, KUE 10-020E	2		
25-8	LM551--0837Z2-Y	PIPE, 10 DRAIN (#2-#3) (REAR)	1		
25-9	K3027210001-Y	TEE, KTC 10-000E	2		
25-10	K3027110001-Y	ELBOW, KLC 10-000E	1		
25-11	LM551--0836Z2-Y	PIPE, 10 DRAIN (#3-MANIFOLD) (REAR)	1		
25-12	K3026910081-Y	UNION, KUE10-040E	1		
25-13	LM551--0802Z2-Y	PIPE, 25 (V-OC)	1		
25-14	LM551--0803Z2-Y	PIPE, 25 (OC-TANK)	1		
25-15	K3026925121-Y	UNION, KUE25-060E	2		
25-16	K3431000060	OIL COOLER	1		
25-17	K3009000032-Y	ADAPTER, PF3/4	2		
25-18	K3100630610	HOSE, WP35-19-3-610	2		
25-19	K3192005100	TUBE, SPIRAL SP-20 510	2		
25-20	K3025064012-Y	ADAPTER, FOR PIPE 064-12	2		



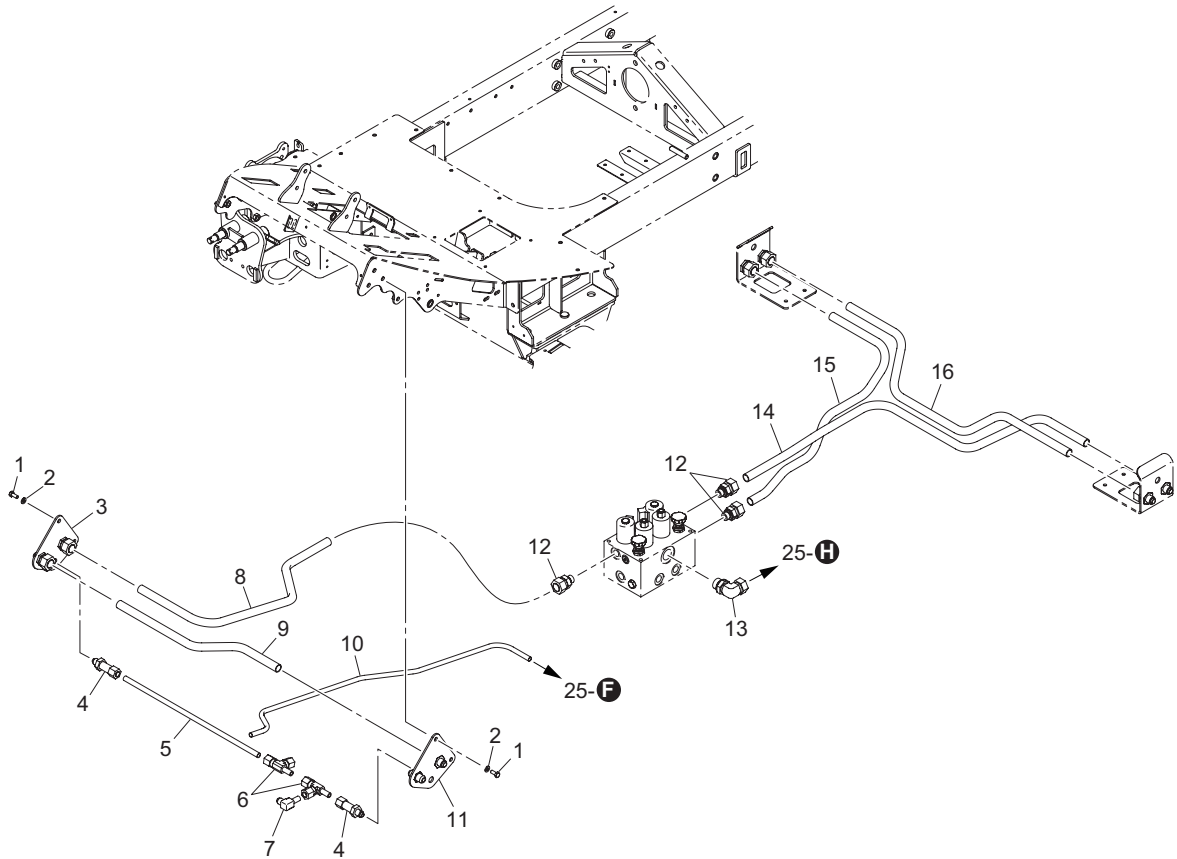
LM551_026_z00

Cat No.	Code No.	Part name	Qty	Remark	SN of application
26-1	K3008000912-Y	ELBOW, ADJUSTABLE 90-25-G1	1		
26-2	K3008000212-Y	ADAPTER, ODD SIZED 90 DEG FPD2576	1		
26-3	K3008000802-Y	ELBOW, ADJUSTABLE UN90-1128-19	1		
26-4	K3107610440	HOSE, WP280-19-1-440	1		
26-5	K3192003400	TUBE, SPIRAL SP-20 340	1		
26-6	K3009000032-Y	ADAPTER, PF3/4	1		
26-7	K0881024000	O-RING, P24B	1		
26-8	K4260000200	CLAMP, HOSE JUBILEE BAND 2A	2		
26-9	K3100A00480	HOSE, WP35-38-0-480	1		
26-10	K4260000190	CLAMP, HOSE JUBILEE BAND 1	2		
26-11	K3149010360	HOSE, S-25-360	1		
26-12	LM551--0806Z2-Y	MANIFOLD, SUCTION PIPE	1		
26-13	K0000060102	BOLT, M6-10	3		
26-14	K0200060002	WASHER, SPRING M6	7		
26-15	K5000060002	WASHER, M6	7		
26-16	LM551--0808ZD	PLATE, PROTECTING FILTER	1		
26-17	K3416000020	FILTER, CARTRIDGE P550275	1		
26-18	K3416000010	HEAD ASSY, OIL FILTER P576555	1		
26-19	LM551--0805Z2-Y	CONNECTOR, FILTER	1		
26-20	LM551--0807ZD	MOUNT, SUCTION FILTER	1		
26-21	K0069000061	BOLT, UNC18 5/16-20	2		
26-22	K0200080002	WASHER, SPRING M8	5		
26-23	K5000080002	WASHER, M8	6		
26-24	K0000080252	BOLT, M8-25	2		
26-25	K0100080002	NUT, M8	3		
26-26	K0056080200	SCREW, SUS + TRUSS M8-20	1		
26-27	K3720000130	SENSOR, LEVEL SWITCH	1		
26-28	K0000060202	BOLT, M6-20	4		
26-29	K4270022060	CLIP, HARNESS 22 M6	1		
26-30	LM526--0809Z2-Y	BRACKET, OIL LEVEL SENSOR	1		



LM551_026_z00

Cat No.	Code No.	Part name	Qty	Remark	SN of application
26-31	K4011000330	PACKING, OIL-SHEET 0.8-4575	1		
26-32	K1430000050	PLUG, AIR P562495	1		
26-33	K1310000140	CAP, OIL KRM-A4	1		
26-34	K1400000044-Y	GAUGE, OIL PF3/4 TYPE M	1		
26-35	K3008000492-Y	CAP, TAPPED FEMALE PF3/8	1		
26-36	K3001090002-Y	ELBOW, 90 DEG 1033-9	1		
26-37	K5012308242	WASHER, SPCC 2.3-8-24	1		

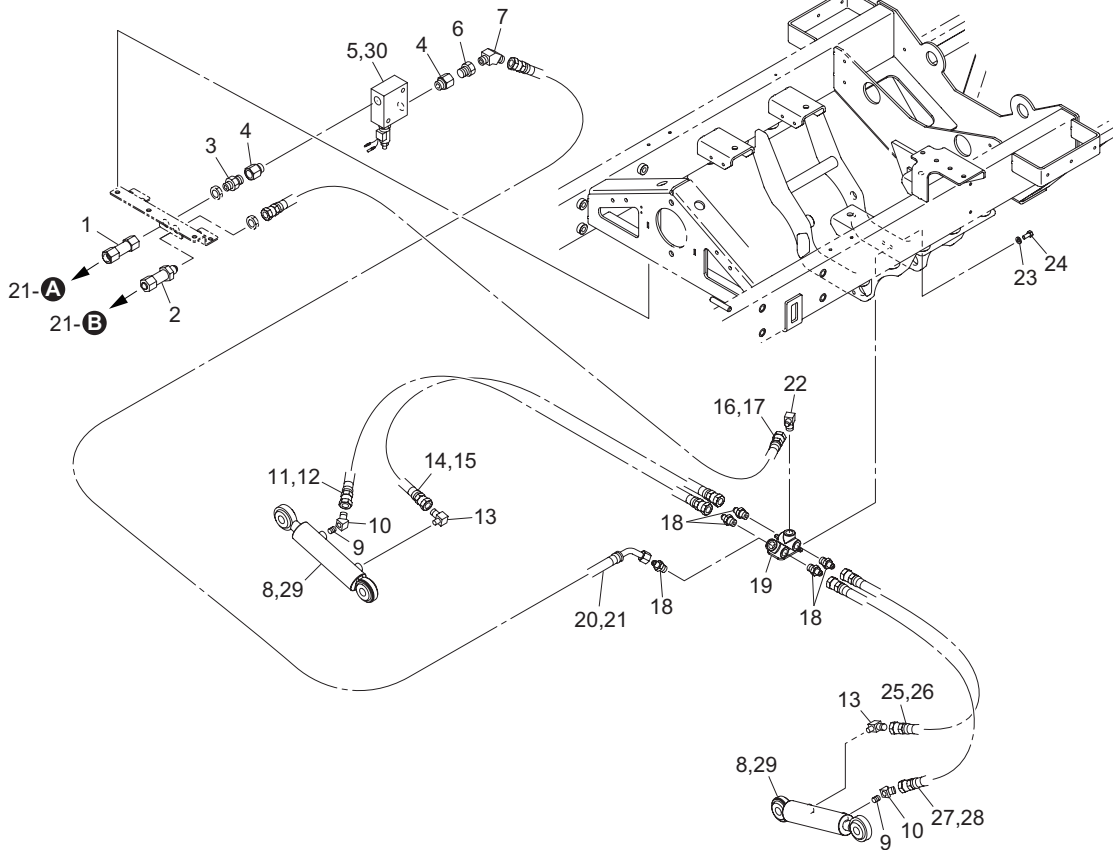


LM551_027_z01

Cat No.	Code No.	Part name	Qty	Remark	SN of application
27-1	K0000100202	BOLT, M10-20	4		
27-2	K0200100002	WASHER, SPRING M10	4		
27-3	LM551--0830Z2-Y	BRACKET, PIPE #4 MOWER	1		
27-4	K3026910041-Y	UNION, KUE 10-020E	2		
27-5	LM551--0829Z2-Y	PIPE, 10 DRAIN (#4-#5) (FRONT)	1		
27-6	K3027210001-Y	TEE, KTC 10-000E	2		
27-7	K3028510041-Y	ELBOW, FOR HOSE HLD 10-20E	1		
27-8	LM551--0827Z2-Y	PIPE, 22 ROTATING (#4-V) (FRONT)	1		
27-9	LM551--0826Z2-Y	PIPE, 22 ROTATING (#4-#5) (FRONT)	1		
27-10	LM551--0828Z2-Y	PIPE, 10 DRAIN (#5-MANIFOLD) (FRONT)	1		
27-11	LM551--0831Z2-Y	BRACKET, PIPE #5 MOWER	1		
27-12	K3026322081-Y	CONNECTOR, KCO 22-040E	3		
27-13	K3026425161-Y	NIPPLE, KLO 25-080E	1		
27-14	LM551--0833Z2-Y	PIPE, 22 ROTATING (#3-V) (REAR)	1		
27-15	LM551--0835Z2-Y	PIPE, 22 ROTATING (V-#2) (REAR)	1		
27-16	LM551--0834Z2-Y	PIPE, 22 ROTATING (#2-#3) (REAR)	1		

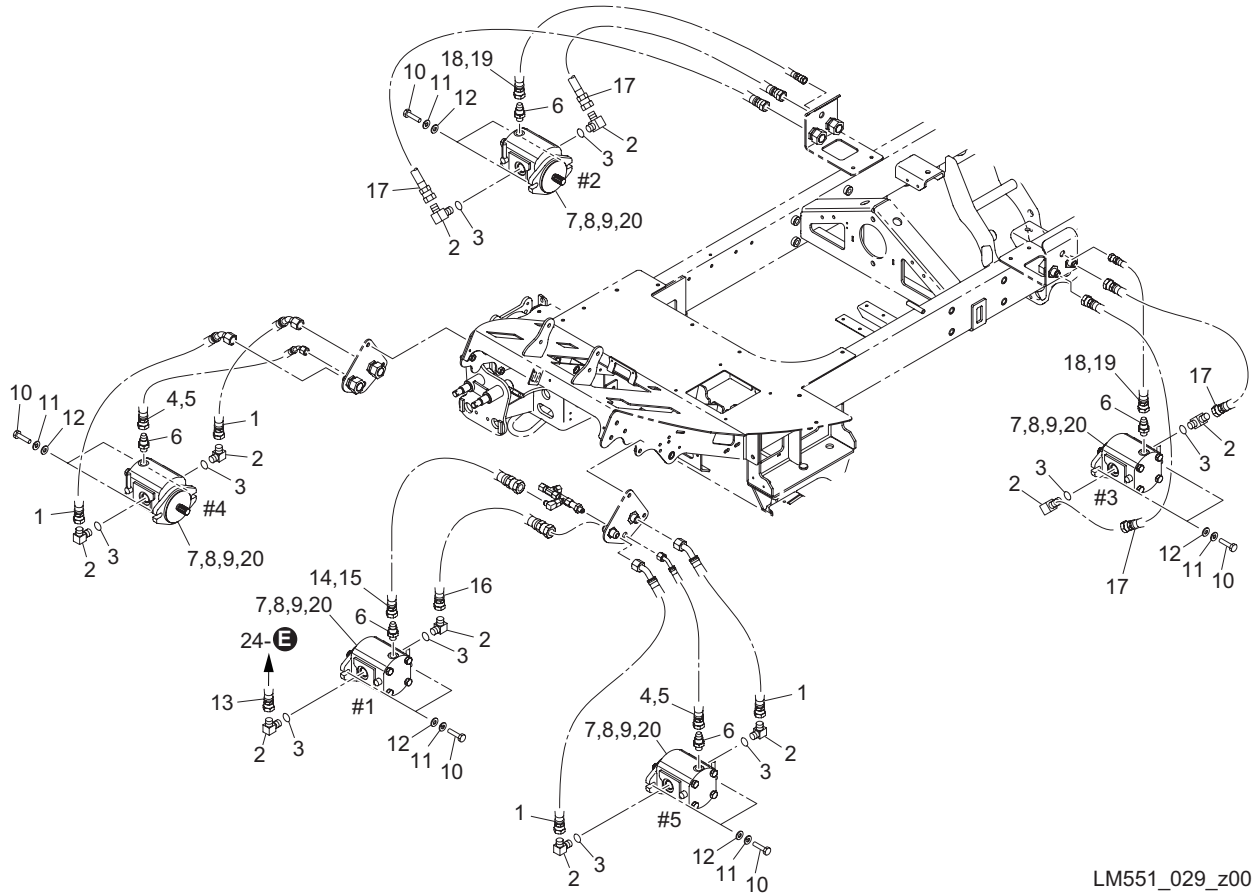
28. Hydraulic section I

LM551A



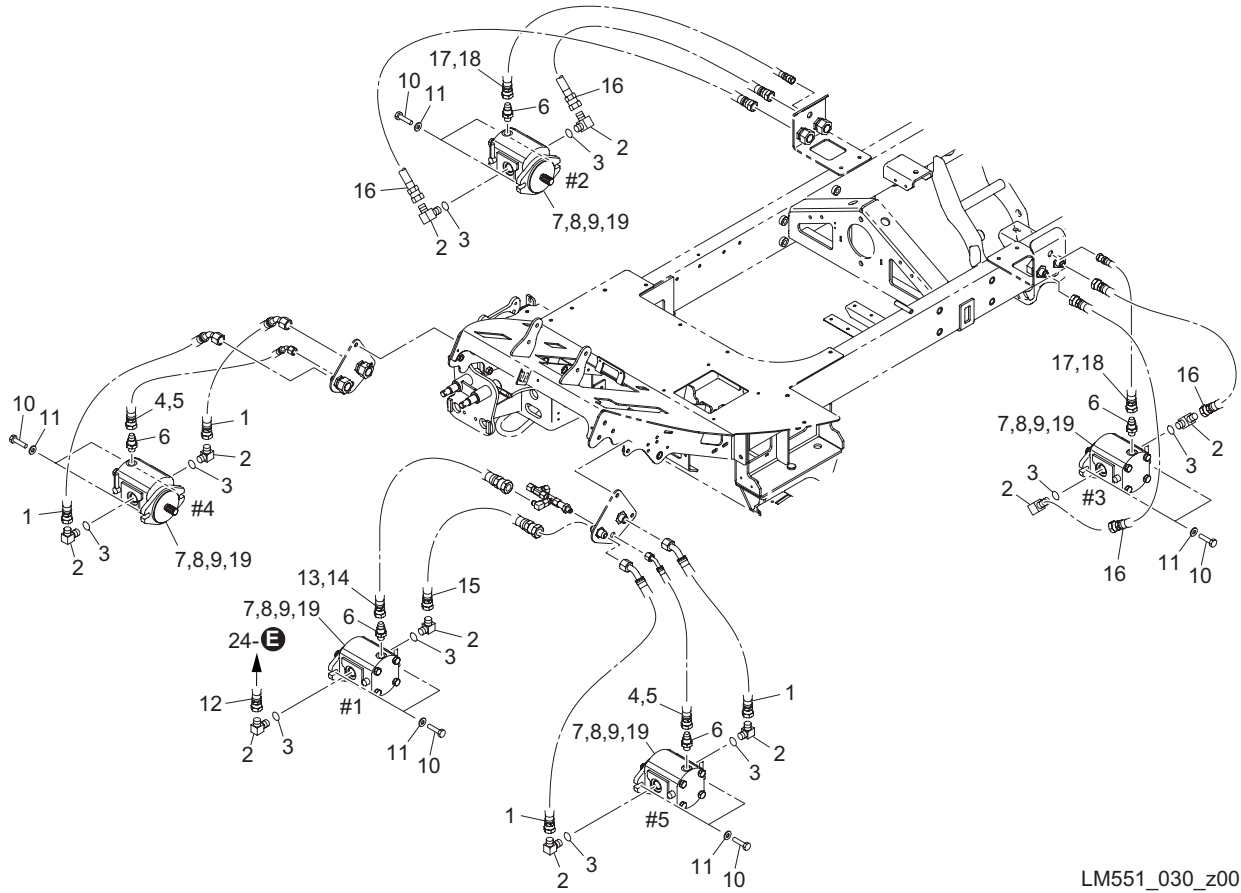
LM551_028_z01

Cat No.	Code No.	Part name	Qty	Remark	SN of application
28-1	K3028910041-Y	SOCKET, TIGHTENING KSS10-020E	1		
28-2	K3026910041-Y	UNION, KUE 10-020E	1		
28-3	K3020060401-Y	BUSHING, BUT 3/8*1/4	1		
28-4	K3029000072-Y	BUSHING, PF3/8*PT3/8	2		
28-5	K3313000750	VALVE, SOLENOID HF121927-18	1		
28-6	K3029000211-Y	NIPPLE, ODD SIZED PT3/8*PT1/4	1		
28-7	K3003060002-Y	ELBOW, 45 DEG 1035-6	1		
28-8	K3207000040	CYLINDER, 35-75 275	2		
28-9	K0023000011-Y	SETSCREW, M6-6-1	2		
28-10	K3029000372-Y	ELBOW, 45-1035-6M6	2		
28-11	K3103210470	HOSE, WP140-6-1-470	1		
28-12	K3189003700	TUBE, SPIRAL SP-10 370	1		
28-13	K3001060002-Y	ELBOW, 90 DEG 1033-6	2		
28-14	K3100210540	HOSE, WP35-6-1-540	1		
28-15	K3189004400	TUBE, SPIRAL SP-10 440	1		
28-16	K3100210660	HOSE, WP35-6-1-660	1		
28-17	K3189005600	TUBE, SPIRAL SP-10 560	1		
28-18	K3007000062-Y	ADAPTER, ODD SIZED PT3/8*PF1/4	5		
28-19	LM551--0841Z2-Y	MANIFOLD, #23	1		
28-20	K3103220460	HOSE, WP140-6-2-460	1		
28-21	K3189003600	TUBE, SPIRAL SP-10 360	1		
28-22	K3006000012-Y	ELBOW, ODD SIZED PT3/8*PF1/4	1		
28-23	K0200080002	WASHER, SPRING M8	2		
28-24	K0000080202	BOLT, M8-20	2		
28-25	K3100210500	HOSE, WP35-6-1-500	1		
28-26	K3189004000	TUBE, SPIRAL SP-10 400	1		
28-27	K3103210430	HOSE, WP140-6-1-430	1		
28-28	K3189003300	TUBE, SPIRAL SP-10 330	2		
28-29	YK3207-2	SEAL KIT	2		
28-30	YZ40108445	SEAL KIT	1		



LM551_029_z00

Cat No.	Code No.	Part name	Qty	Remark	SN of application
29-1	LM551--0863Z0	HOSE, WP210-12-1-1540	4		
29-2	K3008000042-Y	ELBOW, ADJUSTABLE 90 DEG 1086-12	10		
29-3	K0881018000	O-RING, P18B	10		
29-4	K3100221490	HOSE, WP35-6-2-1490	2		
29-5	K3189013900	TUBE, SPIRAL SP-10 1390	2		
29-6	K3008000232-Y	CONNECTOR, W/O-RING PF1/4*PF1/4	5		
29-7	K3282000080	MOTOR, GEAR PLM20.19	5		
29-8	K4203001300	DECAL, REEL ROTATION	5		
29-9	K4203001310	DECAL, REEL STOP	5		
29-10	K0008100302	BOLT, SMALL M10-30	10		
29-11	K0200100002	WASHER, SPRING M10	10		
29-12	K5000100002	WASHER, M10	10		
29-13	LM551--0864Z0	HOSE, WP210-12-1-2350	1		
29-14	K3100221800	HOSE, WP35-6-2-1800	1		
29-15	K3189017000	TUBE, SPIRAL SP-10 1700	1		
29-16	LM551--0865Z0	HOSE, WP210-12-1-1900	1		
29-17	LM551--0866Z0	HOSE, WP210-12-1-1100	4		
29-18	K3100211070	HOSE, WP35-6-1-1070	2		
29-19	K3189009700	TUBE, SPIRAL SP-10 970	2		
29-20	YCA62029050	SEAL KIT, PLM20-01S9R	5		

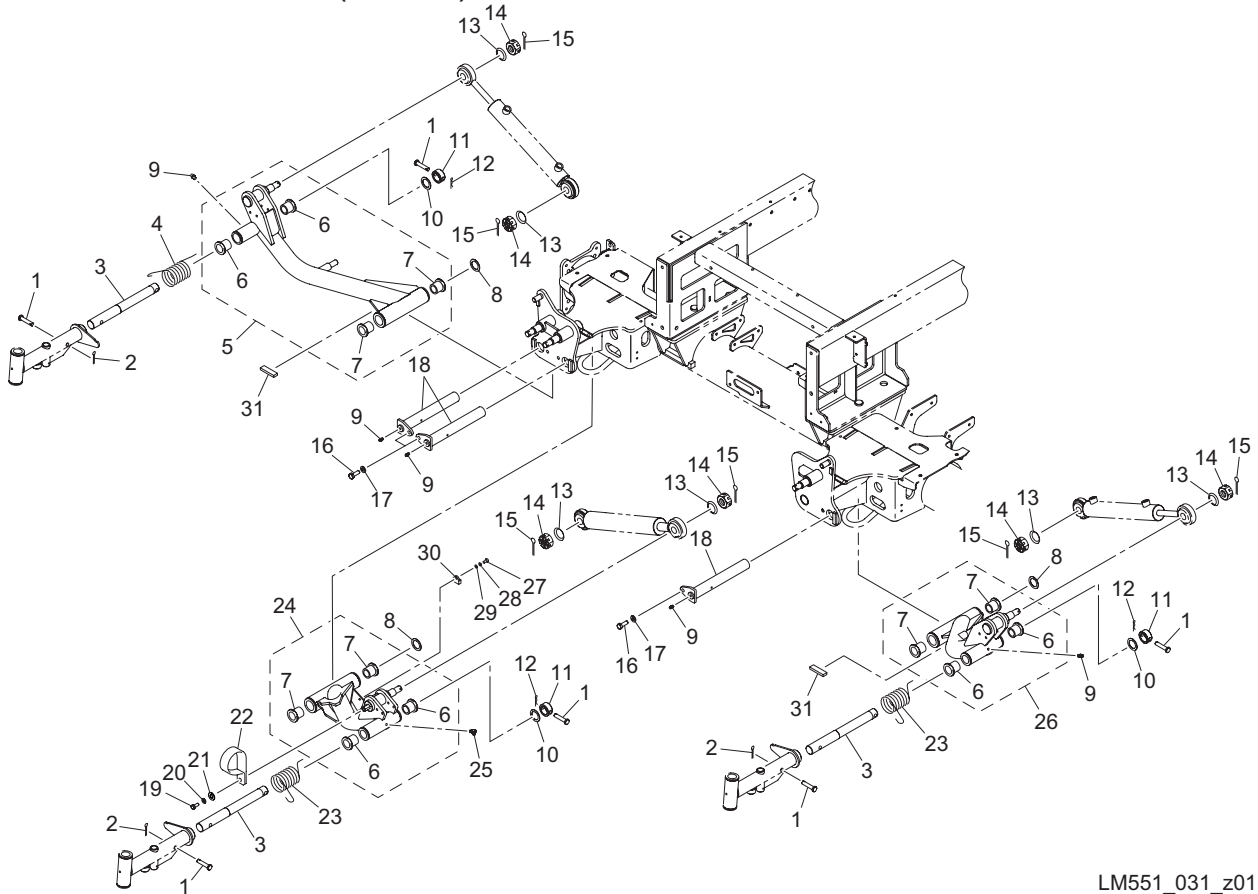


LM551_030_z00

Cat No.	Code No.	Part name	Qty	Remark	SN of application
30-1	LM551--0863Z0	HOSE, WP210-12-1-1540	4		
30-2	K3008000192-Y	ADAPTER, ODD SIZED 90 PF1/2*PF3/8	10		
30-3	K0881014000	O-RING, P14B	10		
30-4	K3100221490	HOSE, WP35-6-2-1490	2		
30-5	K3189013900	TUBE, SPIRAL SP-10 1390	2		
30-6	K3008000232-Y	CONNECTOR, W/O-RING PF1/4*PF1/4	5		
30-7	K3282000090	MOTOR, GEAR PLM10.11,9	5		
30-8	K4203001300	DECAL, REEL ROTATION	5		
30-9	K4203001310	DECAL, REEL STOP	5		
30-10	K0008100302	BOLT, SMALL M10-30	10		
30-11	K0215100002	WASHER, DISK SPRING 2H M10	10		
30-12	LM551--0864Z0	HOSE, WP210-12-1-2350	1		
30-13	K3100221720	HOSE, WP35-6-2-1720	1		
30-14	K3189016200	TUBE, SPIRAL SP-10 1620	1		
30-15	LM551--0865Z0	HOSE, WP210-12-1-1900	1		
30-16	LM551--0866Z0	HOSE, WP210-12-1-1100	4		
30-17	K3100211070	HOSE, WP35-6-1-1070	2		
30-18	K3189009700	TUBE, SPIRAL SP-10 970	2		
30-19	YCA62029539	SEAL KIT, MOTOR	5		

31.Lift arm section A (22inch)

LM551A

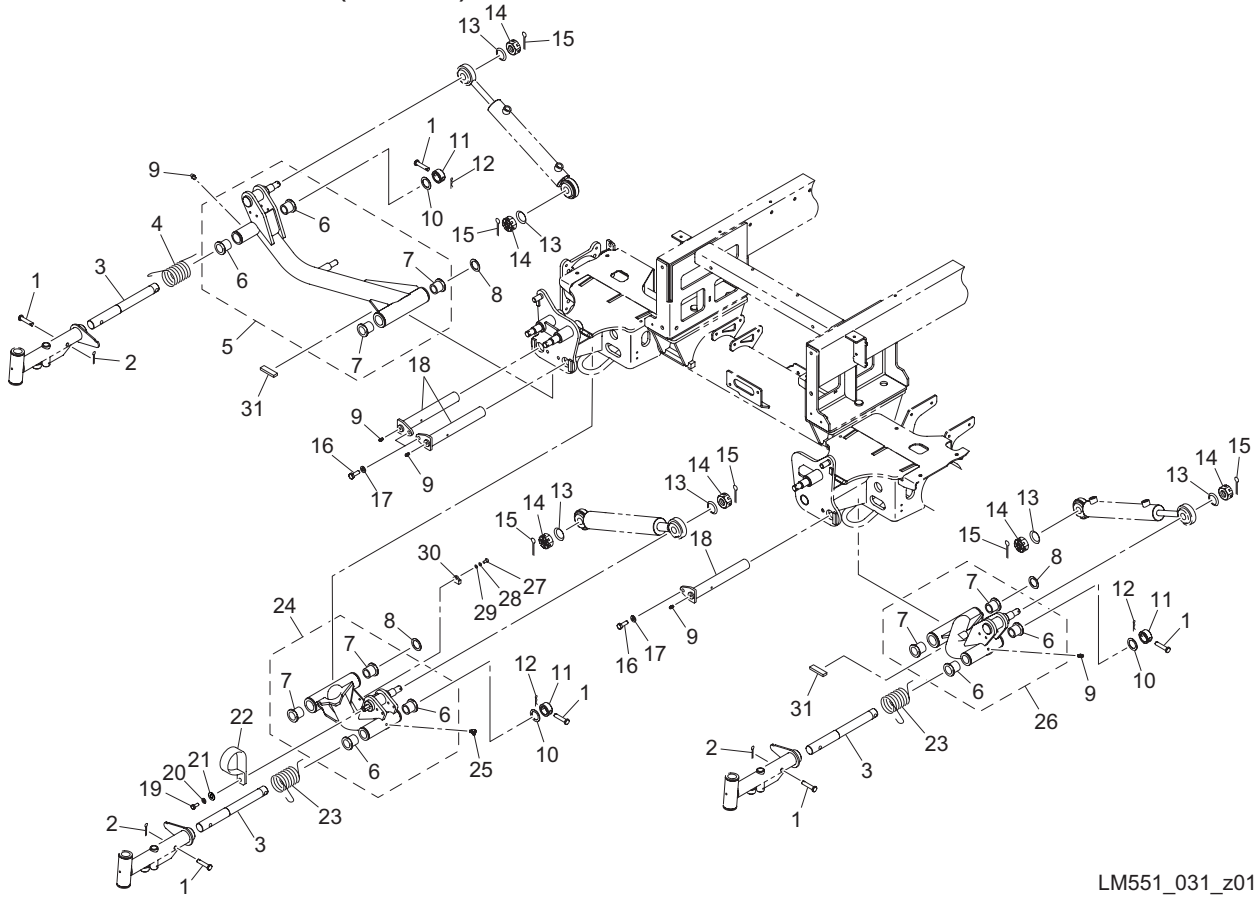


LM551_031_z01

Cat No.	Code No.	Part name	Qty	Remark	SN of application
31-1	K6031090458	PIN, FLAT HEAD HT M9.6-45.5	6		
31-2	K0300025202	PIN, COTTER M2.5-20	3		
31-3	LM2700-0202Z0	SHAFT	3		
31-4	K1050000228	SPRING, TORSION M5 (RH)	1		
31-5	LM551--1604ZD	ARM, LIFT #4 MOWER	1		
31-6	K6010000150	BUSH, FLANGED 25-32-30	6		
31-7	K6010000140	BUSH, FLANGED 30-38-30	6		
31-8	K5051030420	WASHER, C5191P 1-30-42	3		
31-9	K1440000010	GREASE NIPPLE, STRAIGHT TYPE A	5		
31-10	K5011025372	WASHER, SPCC 1-25.4-37	3		
31-11	K6215000412	COLLAR, STKM W/HOLE M25.5-36-16	3		
31-12	K0341000002	PIN, SNAP W/RETAINER M10	3		
31-13	K0215160001	WASHER, DISK SPRING 2H M16	6		
31-14	K0122160002	NUT, HIGH SLOTTED P1.5 M16	6		
31-15	K0300032402	PIN, COTTER M3.2-40	6		
31-16	K0000100252	BOLT, M10-25	3		
31-17	K0200100002	WASHER, SPRING M10	3		
31-18	LM551--1606Z2	PIN, LOCKING ROTATION 30-210	3		
31-19	K0000080202	BOLT, M8-20	1		
31-20	K0200080002	WASHER, SPRING M8	1		
31-21	K5000080002	WASHER, M8	1		
31-22	K4270050080	CLIP, HARNESS 50 M8	1		
31-23	K1050000218	SPRING, TORSION M5 (LH)	2		
31-24	LM551--1601ZD	ARM, LIFT #1 MOWER	1		
31-25	K1440000030	GREASE NIPPLE, 67.5 DEG TYPE B	1		
31-26	LM551--1605ZD	ARM, LIFT #5 MOWER	1		
31-27	K0042050122	SCREW, + ROUND HEAD M5-12	1		
31-28	K0200050002	WASHER, SPRING M5	1		
31-29	K5000050002	WASHER, M5	1		
31-30	K1510000110	MAGNET, W/PLASTIC BASE	1		

31.Lift arm section A (22inch)

LM551A

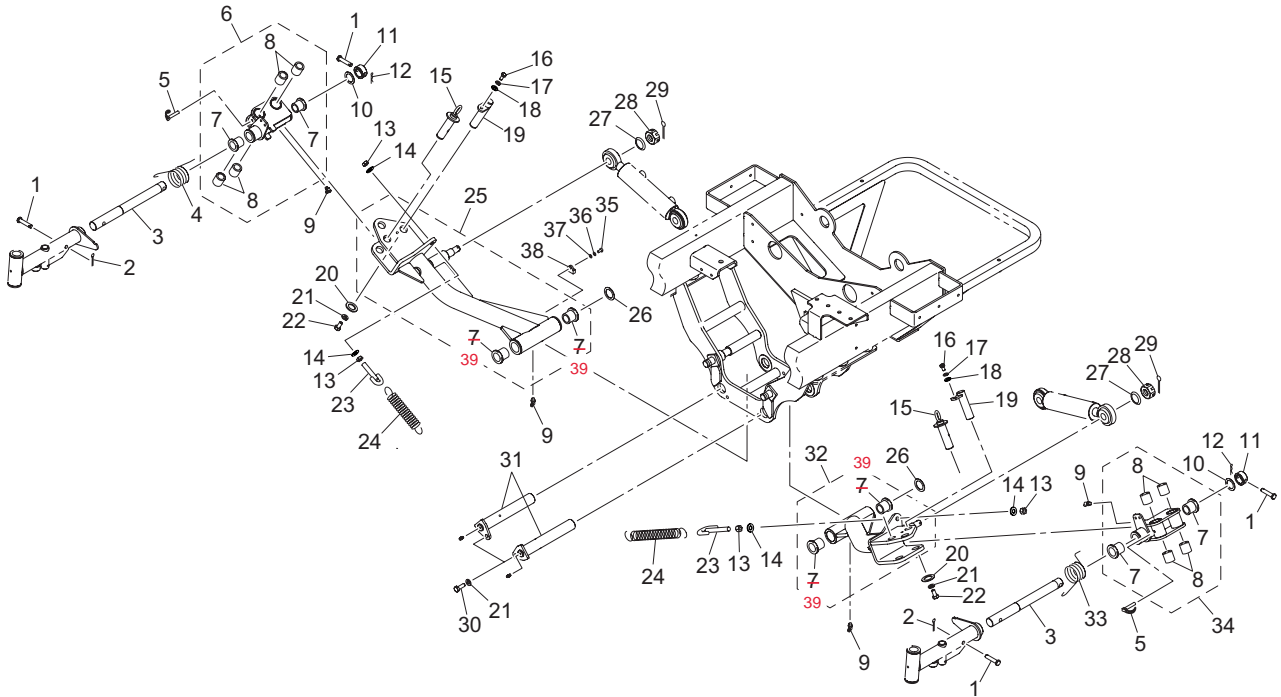


LM551_031_z01

Cat No.	Code No.	Part name	Qty	Remark	SN of application
31-31	LM2400-0639Z0	MAGNET, FOR PROXIMITY SWITCH	2		

32.Lift arm section B (22inch)

LM551A

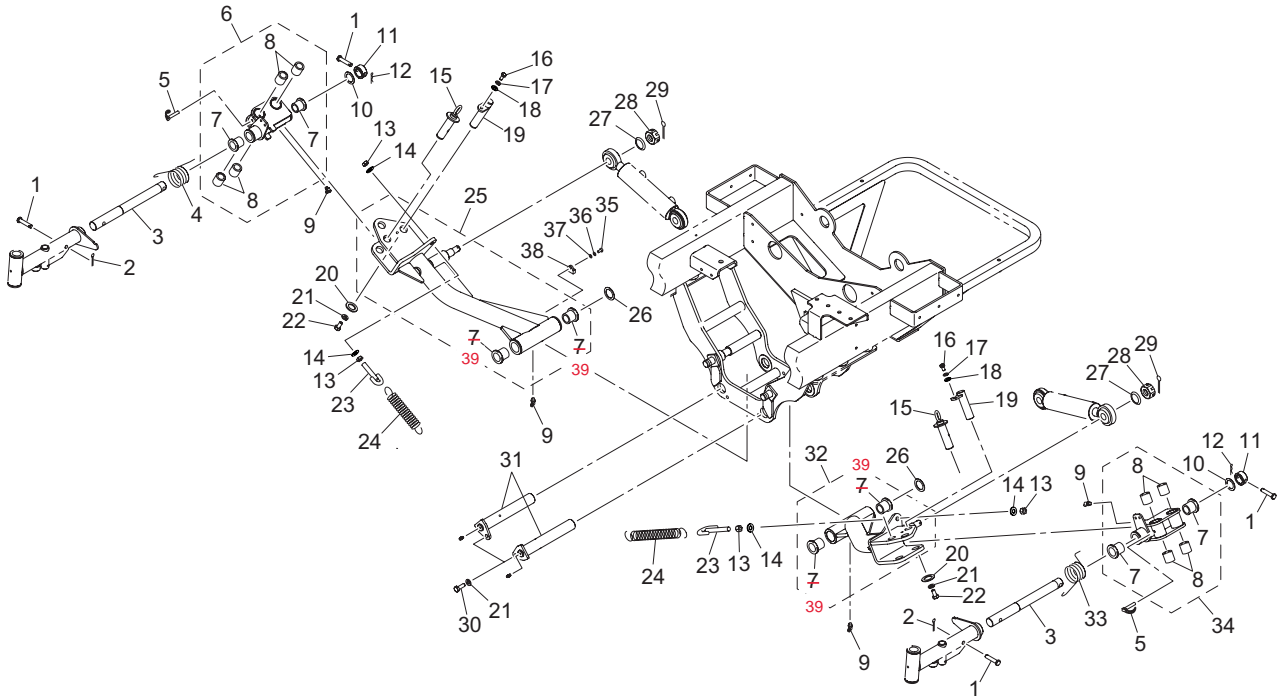


LM551_032_z01

Cat No.	Code No.	Part name	Qty	Remark	SN of application
32-1	K6031090458	PIN, FLAT HEAD HT M9.6-45.5	4		
32-2	K0300025202	PIN, COTTER M2.5-20	2		
32-3	LM551--1612Z0	SHAFT, 282	2		
32-4	K1050000248	SPRING, TORSION M5 SHORT (RH)	1		
32-5	K0450000040	PIN, PIPE 6*45	2		
32-6	LM551--1609ZD	JOINT, SLEWING MOWER (RH)	1		
32-7	K6010000150	BUSH, FLANGED 25-32-30	4 8		
32-8	K6000000590	BUSH, PLASTIC 22-28-20	8		
32-9	K1440000030	GREASE NIPPLE, 67.5 DEG TYPE B	4		
32-10	K5011025372	WASHER, SPCC 1-25.4-37	2		
32-11	K6215000412	COLLAR, STKM W/HOLE M25.5-36-16	2		
32-12	K0341000002	PIN, SNAP W/RETAINER M10	2		
32-13	K0100100002	NUT, M10	4		
32-14	K5000100002	WASHER, M10	4		
32-15	LM551--1611Z2	PIN, W/GRIP	2		
32-16	K0000080152	BOLT, M8-15	2		
32-17	K0200080002	WASHER, SPRING M8	2		
32-18	K5000080002	WASHER, M8	2		
32-19	LM551--1610Z2	SHAFT, SLEWING FULCRUM	2		
32-20	K5073210352	WASHER, SPHC 3.2-10-35	2		
32-21	K0200100002	WASHER, SPRING M10	4		
32-22	K0000100152	BOLT, M10-15	2		
32-23	LM551--1617Z2	HOOK, SECURING SPRING	2		
32-24	K1020000228	SPRING, W/ROUND HOOK M4.5-38-247	2		
32-25	LM551--1603ZD	ARM, LIFT #3 MOWER	1		
32-26	K5051030420	WASHER, C5191P 1-30-42	2		
32-27	K0215160001	WASHER, DISK SPRING 2H M16	2		
32-28	K0122160002	NUT, HIGH SLOTTED P1.5 M16	2		
32-29	K0300032402	PIN, COTTER M3.2-40	2		
32-30	K0000100252	BOLT, M10-25	2		

32.Lift arm section B (22inch)

LM551A

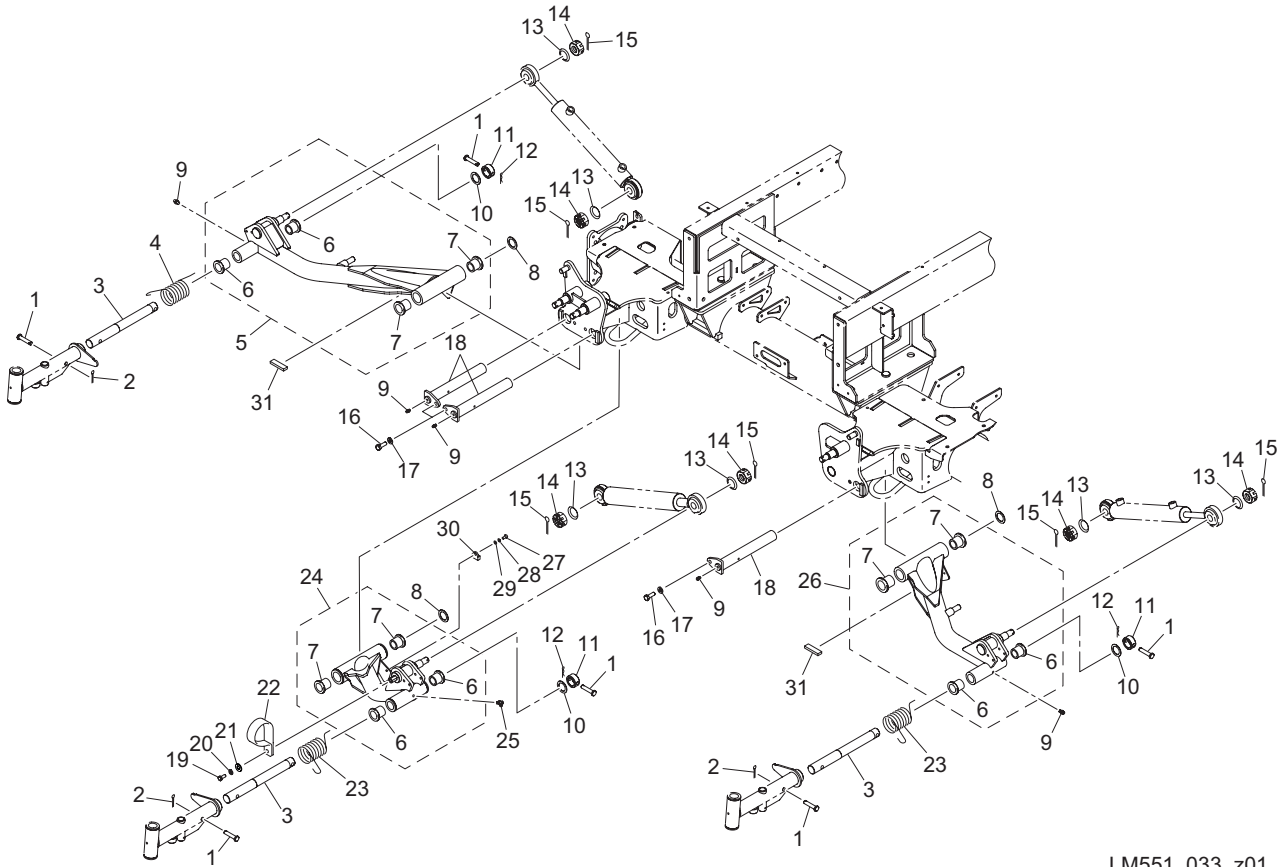


LM551_032_z01

Cat No.	Code No.	Part name	Qty	Remark	SN of application
32-31	LM551--1607Z2	PIN, LOCKING ROTATION 30-195	2		
32-32	LM551--1602ZD	ARM, LIFT #2 MOWER	1		
32-33	K1050000238	SPRING, TORSION M5 SHORT (LH)	1		
32-34	LM551--1608ZD	JOINT, SLEWING MOWER (LH)	1		
32-35	K0042050122	SCREW, + ROUND HEAD M5-12	1		
32-36	K0200050002	WASHER, SPRING M5	1		
32-37	K5000050002	WASHER, M5	1		
32-38	K1510000110	MAGNET, W/PLASTIC BASE	1		
32-39	K6010000140	BUSH, FLANGED 30-38-30	4		

33.Lift arm section A (26inch)

LM551A

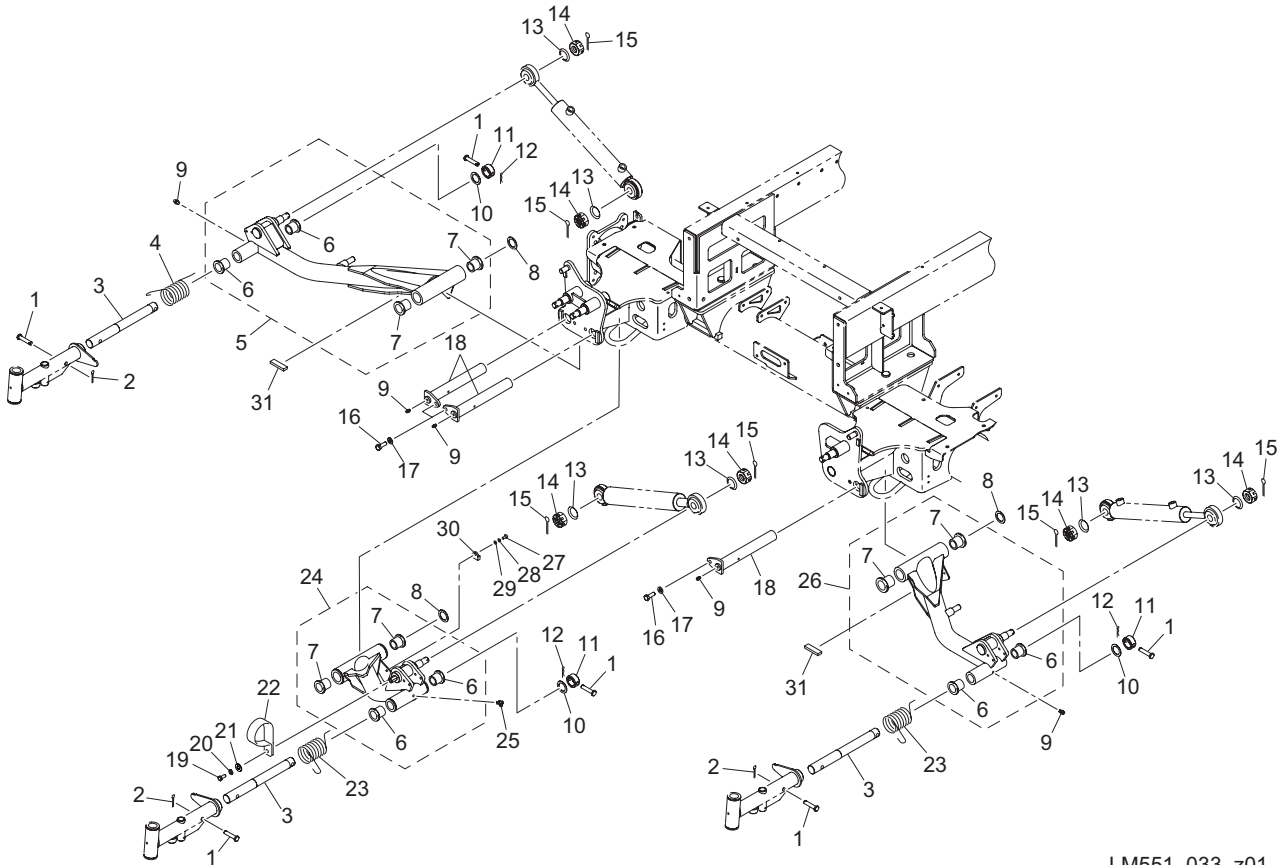


LM551_033_z01

Cat No.	Code No.	Part name	Qty	Remark	SN of application
33-1	K6031090458	PIN, FLAT HEAD HT M9.6-45.5	6		
33-2	K0300025202	PIN, COTTER M2.5-20	3		
33-3	LM2700-0202Z0	SHAFT	3		
33-4	K1050000228	SPRING, TORSION M5 (RH)	1		
33-5	LM551--0204ZD	ARM, LIFT #4 MOWER(26)	1		
33-6	K6010000150	BUSH, FLANGED 25-32-30	6		
33-7	K6010000140	BUSH, FLANGED 30-38-30	6		
33-8	K5051030420	WASHER, C5191P 1-30-42	3		
33-9	K1440000010	GREASE NIPPLE, STRAIGHT TYPE A	5		
33-10	K5011025372	WASHER, SPCC 1-25.4-37	3		
33-11	K6215000412	COLLAR, STKM W/HOLE M25.5-36-16	3		
33-12	K0341000002	PIN, SNAP W/RETAINER M10	3		
33-13	K0215160001	WASHER, DISK SPRING 2H M16	6		
33-14	K0122160002	NUT, HIGH SLOTTED P1.5 M16	6		
33-15	K0300032402	PIN, COTTER M3.2-40	6		
33-16	K0000100252	BOLT, M10-25	3		
33-17	K0200100002	WASHER, SPRING M10	3		
33-18	LM551--1606Z2	PIN, LOCKING ROTATION 30-210	3		
33-19	K0000080202	BOLT, M8-20	1		
33-20	K0200080002	WASHER, SPRING M8	1		
33-21	K5000080002	WASHER, M8	1		
33-22	K4270050080	CLIP, HARNESS 50 M8	1		
33-23	K1050000218	SPRING, TORSION M5 (LH)	2		
33-24	LM551--1601ZD	ARM, LIFT #1 MOWER	1		
33-25	K1440000030	GREASE NIPPLE, 67.5 DEG TYPE B	1		
33-26	LM551--0205ZD	ARM, LIFT #5 MOWER(26)	1		
33-27	K0042050122	SCREW, + ROUND HEAD M5-12	1		
33-28	K0200050002	WASHER, SPRING M5	1		
33-29	K5000050002	WASHER, M5	1		
33-30	K1510000110	MAGNET, W/PLASTIC BASE	1		

33.Lift arm section A (26inch)

LM551A

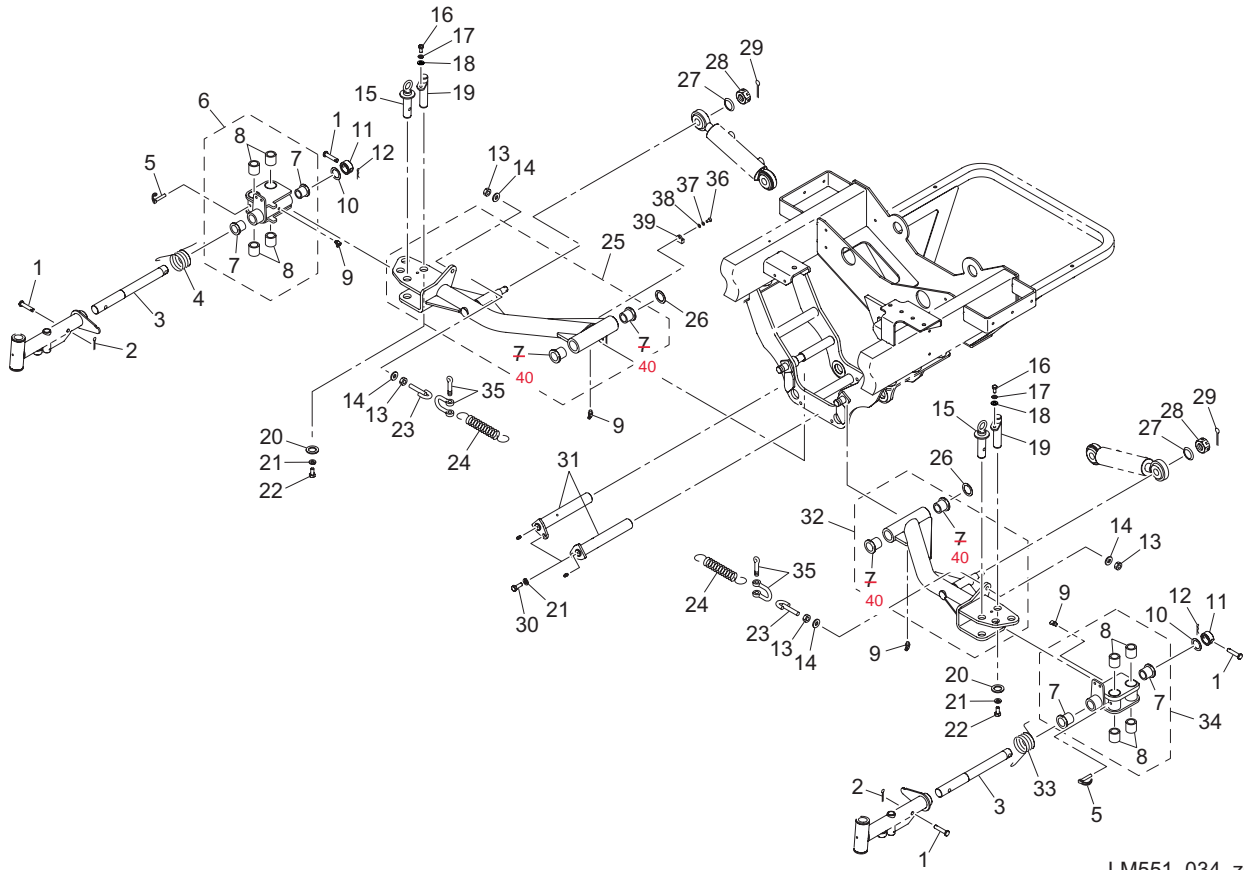


LM551_033_z01

Cat No.	Code No.	Part name	Qty	Remark	SN of application
33-31	LM2400-0639Z0	MAGNET, FOR PROXIMITY SWITCH	2		

34.Lift arm section B (26inch)

LM551A

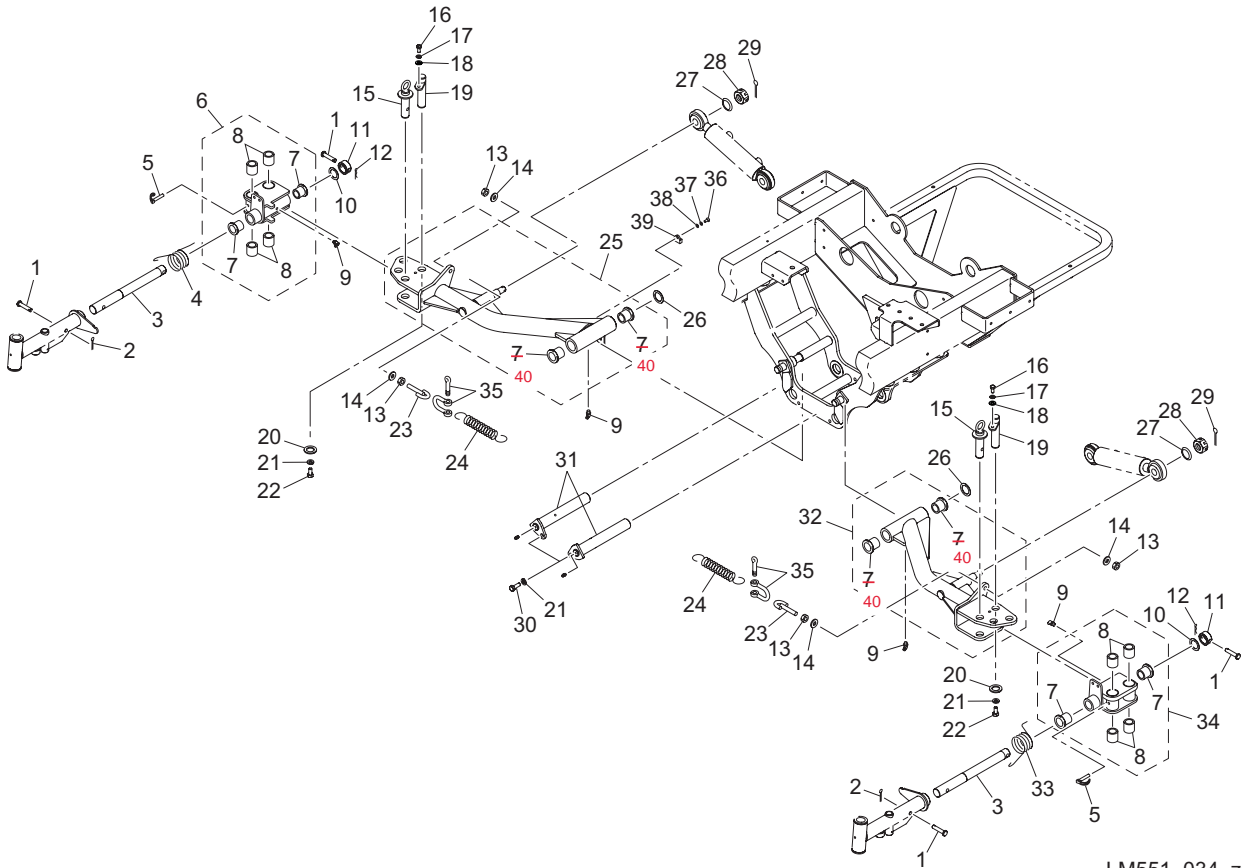


LM551_034_z01

Cat No.	Code No.	Part name	Qty	Remark	SN of application
34-1	K6031090458	PIN, FLAT HEAD HT M9.6-45.5	4		
34-2	K0300025202	PIN, COTTER M2.5-20	2		
34-3	LM551--1612Z0	SHAFT, 282	2		
34-4	K1050000248	SPRING, TORSION M5 SHORT (RH)	1		
34-5	K0450000040	PIN, PIPE 6*45	2		
34-6	LM551--1609ZD	JOINT, SLEWING MOWER (RH)	1		
34-7	K6010000150	BUSH, FLANGED 25-32-30	4 8		
34-8	K6000000590	BUSH, PLASTIC 22-28-20	8		
34-9	K1440000030	GREASE NIPPLE, 67.5 DEG TYPE B	4		
34-10	K5011025372	WASHER, SPCC 1-25.4-37	2		
34-11	K6215000412	COLLAR, STKM W/HOLE M25.5-36-16	2		
34-12	K0341000002	PIN, SNAP W/RETAINER M10	2		
34-13	K0100100002	NUT, M10	4		
34-14	K5000100002	WASHER, M10	4		
34-15	LM551--1611Z2	PIN, W/GRIP	2		
34-16	K0000080152	BOLT, M8-15	2		
34-17	K0200080002	WASHER, SPRING M8	2		
34-18	K5000080002	WASHER, M8	2		
34-19	LM551--1610Z2	SHAFT, SLEWING FULCRUM	2		
34-20	K5073210352	WASHER, SPHC 3.2-10-35	2		
34-21	K0200100002	WASHER, SPRING M10	4		
34-22	K0000100152	BOLT, M10-15	2		
34-23	LM551--1617Z2	HOOK, SECURING SPRING	2		
34-24	K1020000228	SPRING, W/ROUND HOOK M4.5-38-247	2		
34-25	LM551--0202ZD	ARM, LIFT #2 MOWER(26)	1		
34-26	K5051030420	WASHER, C5191P 1-30-42	2		
34-27	K0215160001	WASHER, DISK SPRING 2H M16	2		
34-28	K0122160002	NUT, HIGH SLOTTED P1.5 M16	2		
34-29	K0300032402	PIN, COTTER M3.2-40	2		
34-30	K0000100252	BOLT, M10-25	2		

34.Lift arm section B (26inch)

LM551A

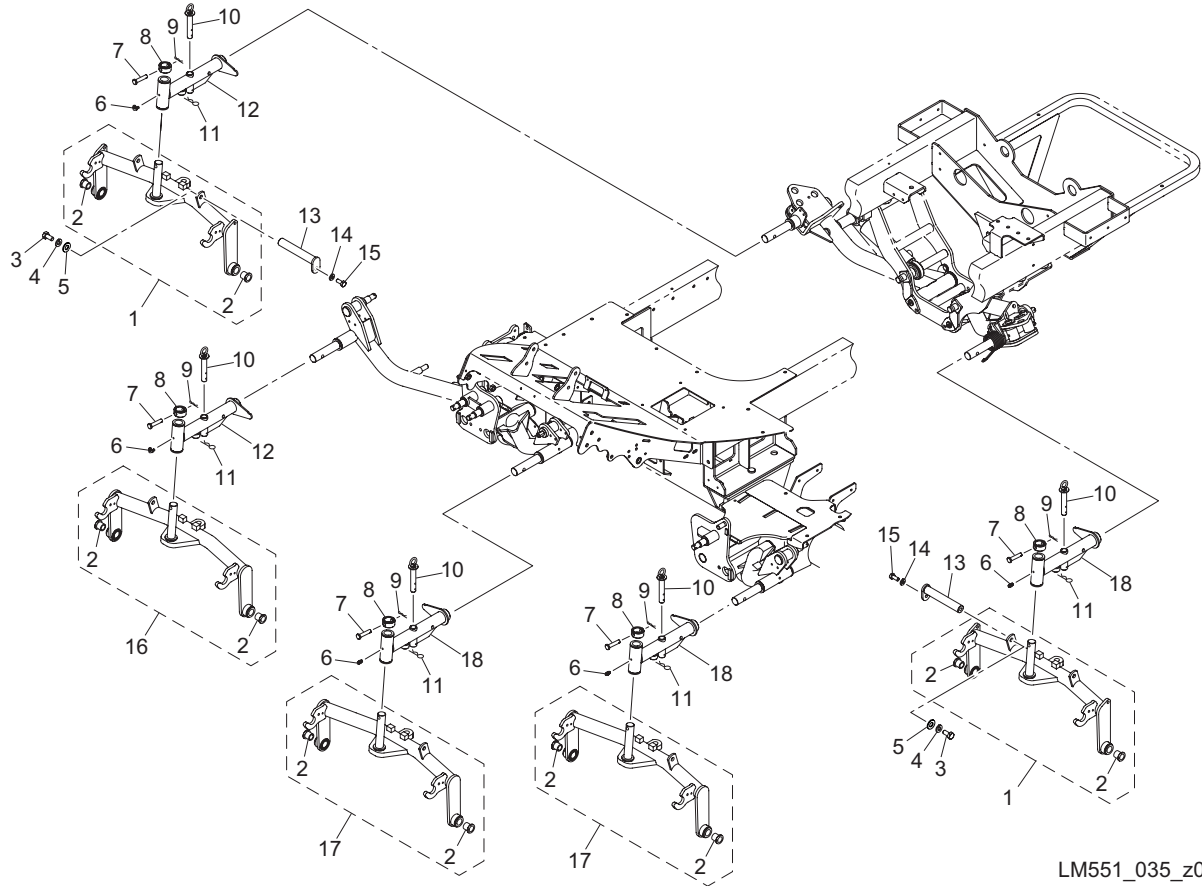


LM551_034_z01

Cat No.	Code No.	Part name	Qty	Remark	SN of application
34-31	LM551--1607Z2	PIN, LOCKING ROTATION 30-195	2		
34-32	LM551--0203ZD	ARM, LIFT #3 MOWER(26)	1		
34-33	K1050000238	SPRING, TORSION M5 SHORT (LH)	1		
34-34	LM551--1608ZD	JOINT, SLEWING MOWER (LH)	1		
34-35	K0410800002	SHACKLES, M8	2		
34-36	K0042050122	SCREW, + ROUND HEAD M5-12	1		
34-37	K0200050002	WASHER, SPRING M5	1		
34-38	K5000050002	WASHER, M5	1		
34-39	K1510000110	MAGNET, W/PLASTIC BASE	1		
34-40	K6010000140	BUSH, FLANGED 30-38-30	4		

35.Mower arm section A (LH62)

LM551A

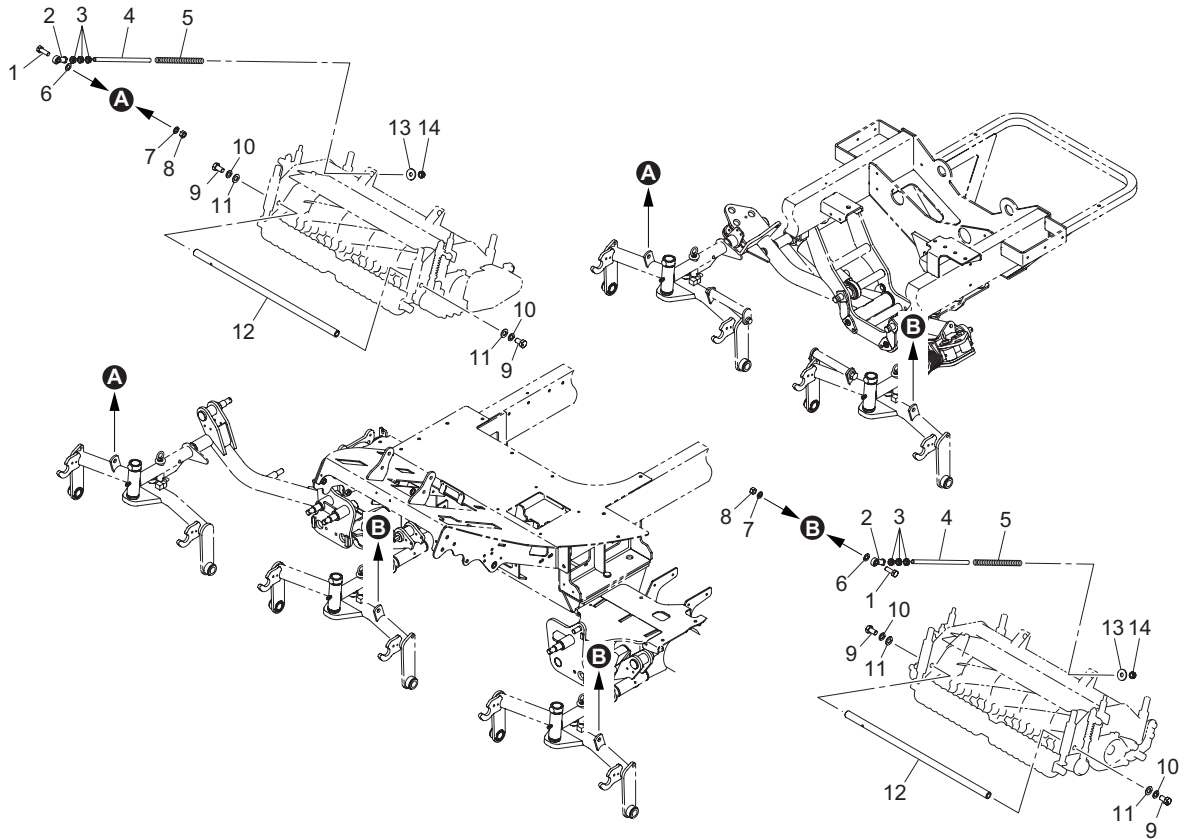


LM551_035_z00

Cat No.	Code No.	Part name	Qty	Remark	SN of application
35-1	LM551--1703ZR	ARM, MOWER LH62 #2&3	2		
35-2	K6010000130	BUSH, FLANGED 22-28-30	10		
35-3	K0000120202	BOLT, M12-20	2		
35-4	K0200120002	WASHER, SPRING M12	2		
35-5	K5000120002	WASHER, M12	2		
35-6	K1440000010	GREASE NIPPLE, STRAIGHT TYPE A	5		
35-7	K6031090458	PIN, FLAT HEAD HT M9.6-45.5	5		
35-8	K6215000412	COLLAR, STKM W/HOLE M25.5-36-16	5		
35-9	K0341000002	PIN, SNAP W/RETAINER M10	5		
35-10	LM2700-0204A2	PIN, LOCKING	5		
35-11	K0332200008	PIN, SNAP M22	5		
35-12	LM551--1705ZR	CONNECTOR, MOWER (RH)	2		
35-13	LM551--1707Z2	GUIDE, MOWER STOPPER #2&3	2		
35-14	K0200100002	WASHER, SPRING M10	2		
35-15	K0000100202	BOLT, M10-20	2		
35-16	LM551--1702ZR	ARM, MOWER LH62 (RH)	1		
35-17	LM551--1701ZR	ARM, MOWER LH62 (LH)	2		
35-18	LM551--1704ZR	CONNECTOR, MOWER (LH)	3		

36.Mower arm section B (LH62)

LM551A

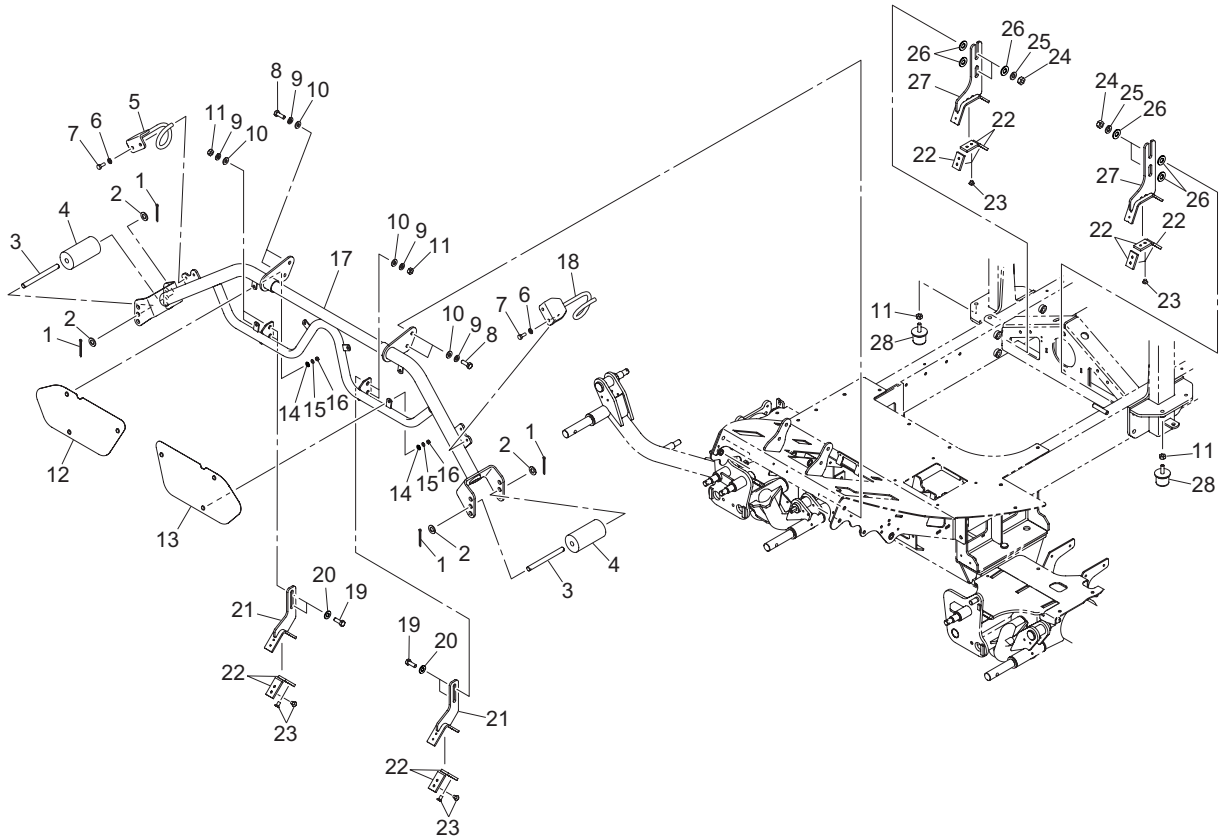


LM551_036_z00

Cat No.	Code No.	Part name	Qty	Remark	SN of application
36-1	K0000120402	BOLT, M12-40	5		
36-2	K1607120000	JOINT, SPHERICAL PHS12EC	5		
36-3	K0102120002	NUT, M12-3	15		
36-4	LM331--0121Z2	SHAFT, GROOVED M12-280	5		
36-5	K1000000998	SPRING, COMPRESSION M2-18-200	5		
36-6	K5000120002	WASHER, M12	5		
36-7	K0200120002	WASHER, SPRING M12	5		
36-8	K0100120002	NUT, M12	5		
36-9	K0001140252	BOLT, P1.5 M14-25	10		
36-10	K0200140002	WASHER, SPRING M14	10		
36-11	K5000140002	WASHER, M14	10		
36-12	LM2700-2106Z8	STAY, FRONT 22	5		
36-13	K5073212352	WASHER, SPHC 3.2-12-35	5		
36-14	K0144120002	NUT, W/F-RING M12	5		

37.Mower arm section C (LH62)

LM551A

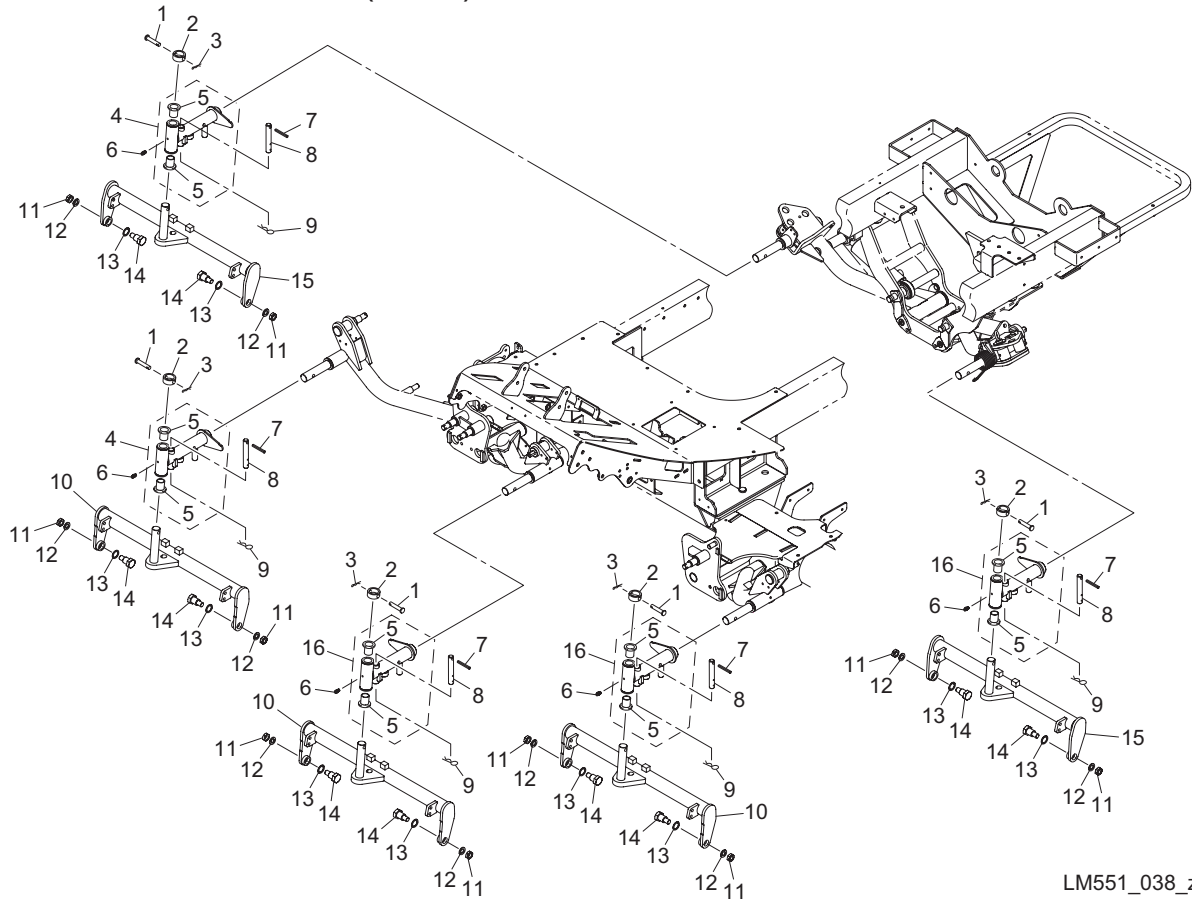


LM551_037_z00

Cat No.	Code No.	Part name	Qty	Remark	SN of application
37-1	K0300032222	PIN, COTTER M3.2-22	4		
37-2	K5000140002	WASHER, M14	4		
37-3	GM2800-0629Z2	SHAFT, ROLLER 155	2		
37-4	GM2800-0628Z0	RUBBER, ROLLER 120	2		
37-5	LM551--1807ZD	GUIDE, HOSE (RH)	1		
37-6	K0200080002	WASHER, SPRING M8	4		
37-7	K0000080202	BOLT, M8-20	4		
37-8	K0000100252	BOLT, M10-25	4		
37-9	K0200100002	WASHER, SPRING M10	8		
37-10	K5000100002	WASHER, M10	8		
37-11	K0100100002	NUT, M10	6		
37-12	LM551--1809ZD	PANEL, FRONT (RH)	1		
37-13	LM551--1808ZD	PANEL, FRONT (LH)	1		
37-14	K5000060002	WASHER, M6	6		
37-15	K0200060002	WASHER, SPRING M6	6		
37-16	K0100060002	NUT, M6	6		
37-17	LM551--1708AD	GUIDE, #4, #5 MOWER UNIT (LH6)	1		
37-18	LM551--1806ZD	GUIDE, HOSE (LH)	1		
37-19	K0000100352	BOLT, M10-35	4		
37-20	K5073210352	WASHER, SPHC 3.2-10-35	4		
37-21	LM551--1810AD	STOPPER, MOWER #1	2		
37-22	LM526A-0107Z0	STOPPER	10		
37-23	K0041060122	SCREW, + FLAT HEAD M6-12	20		
37-24	K0100120002	NUT, M12	4		
37-25	K0200120002	WASHER, SPRING M12	4		
37-26	K5000120002	WASHER, M12	8		
37-27	LM551--1711ZD	GUIDE, MOWER STOPPER #2&3 (LH6)	2		
37-28	K4049050000	STOPPER, RUBBER KI-50	2		

38.Mower arm section A (LS62)

LM551A

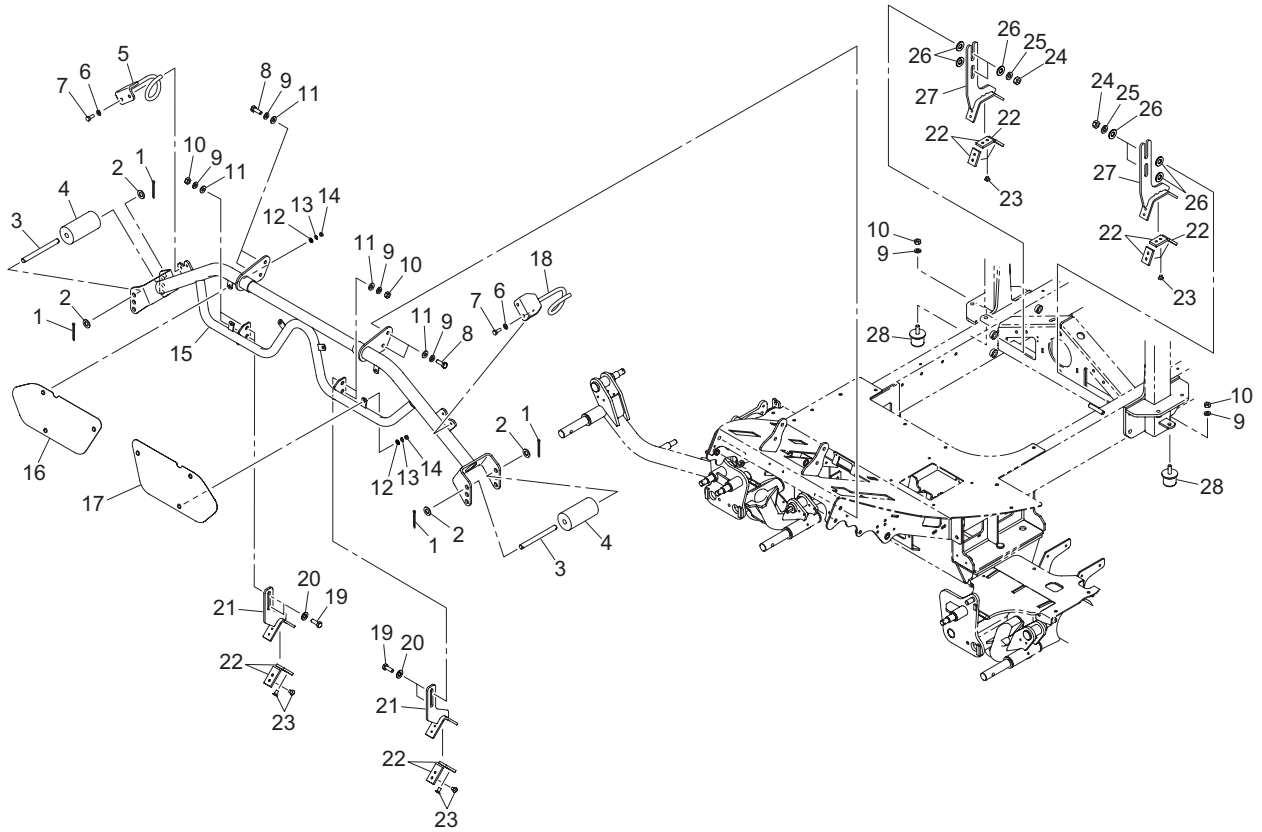


LM551_038_z00

Cat No.	Code No.	Part name	Qty	Remark	SN of application
38-1	K6031090458	PIN, FLAT HEAD HT M9.6-45.5	5		
38-2	K6215000412	COLLAR, STKM W/HOLE M25.5-36-16	5		
38-3	K0341000002	PIN, SNAP W/RETAINER M10	5		
38-4	LM551--1804ZR	CONNECTOR, MOWER (RH)	2		
38-5	K6010000150	BUSH, FLANGED 25-32-30	10		
38-6	K1440000010	GREASE NIPPLE, STRAIGHT TYPE A	5		
38-7	K0320080501	PIN, SPRING M8-50	5		
38-8	LM526A-0208A8	SHAFT, STOPPER	5		
38-9	K0332200008	PIN, SNAP M22	5		
38-10	LM551--1801ZR	ARM, MOWER LS62	3		
38-11	K0105140002	NUT, P1.5 M14-3	10		
38-12	K0212140002	WASHER, DISK SPRING 1L M14	10		
38-13	K5011020282	WASHER, SPCC 1-20-28	10		
38-14	K6082000132	BOLT, STEPPED FOR FIXING FRAME	10		
38-15	LM551--1802ZR	ARM, MOWER LS62 #2&3	2		
38-16	LM551--1803ZR	CONNECTOR, MOWER (LH)	3		

39.Mower arm section B (LS62)

LM551A

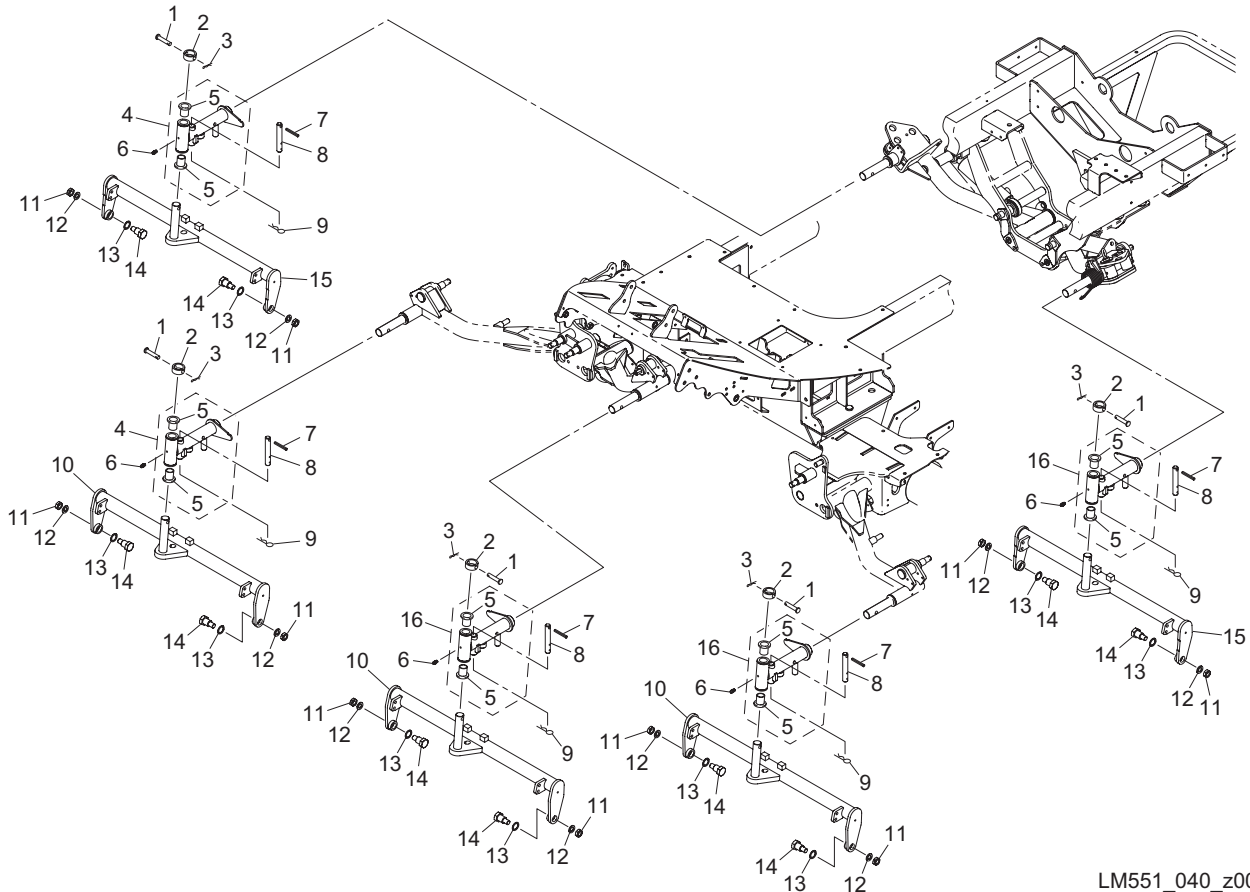


LM551_039_z00

Cat No.	Code No.	Part name	Qty	Remark	SN of application
39-1	K0300032222	PIN, COTTER M3.2-22	4		
39-2	K5000140002	WASHER, M14	4		
39-3	GM2800-0629Z2	SHAFT, ROLLER 155	2		
39-4	GM2800-0628Z0	RUBBER, ROLLER 120	2		
39-5	LM551--1807ZD	GUIDE, HOSE (RH)	1		
39-6	K0200080002	WASHER, SPRING M8	4		
39-7	K0000080202	BOLT, M8-20	4		
39-8	K0000100252	BOLT, M10-25	4		
39-9	K0200100002	WASHER, SPRING M10	10		
39-10	K0100100002	NUT, M10	6		
39-11	K5000100002	WASHER, M10	8		
39-12	K5000060002	WASHER, M6	6		
39-13	K0200060002	WASHER, SPRING M6	6		
39-14	K0100060002	NUT, M6	6		
39-15	LM551--1805ZD	GUIDE, MOWER UNIT #4&5	1		
39-16	LM551--1809ZD	PANEL, FRONT (RH)	1		
39-17	LM551--1808ZD	PANEL, FRONT (LH)	1		
39-18	LM551--1806ZD	GUIDE, HOSE (LH)	1		
39-19	K0000100352	BOLT, M10-35	4		
39-20	K5073210352	WASHER, SPHC 3.2-10-35	4		
39-21	LM551--1810AD	STOPPER, MOWER #1	2		
39-22	LM526A-0107Z0	STOPPER	10		
39-23	K0041060122	SCREW, + FLAT HEAD M6-12	20		
39-24	K0100120002	NUT, M12	4		
39-25	K0200120002	WASHER, SPRING M12	4		
39-26	K5000120002	WASHER, M12	8		
39-27	LM551--1811ZD	STOPPER, #2&3 MOWER	2		
39-28	K4049050000	STOPPER, RUBBER KI-50	2		

40.Mower arm section A (LS66)

LM551A

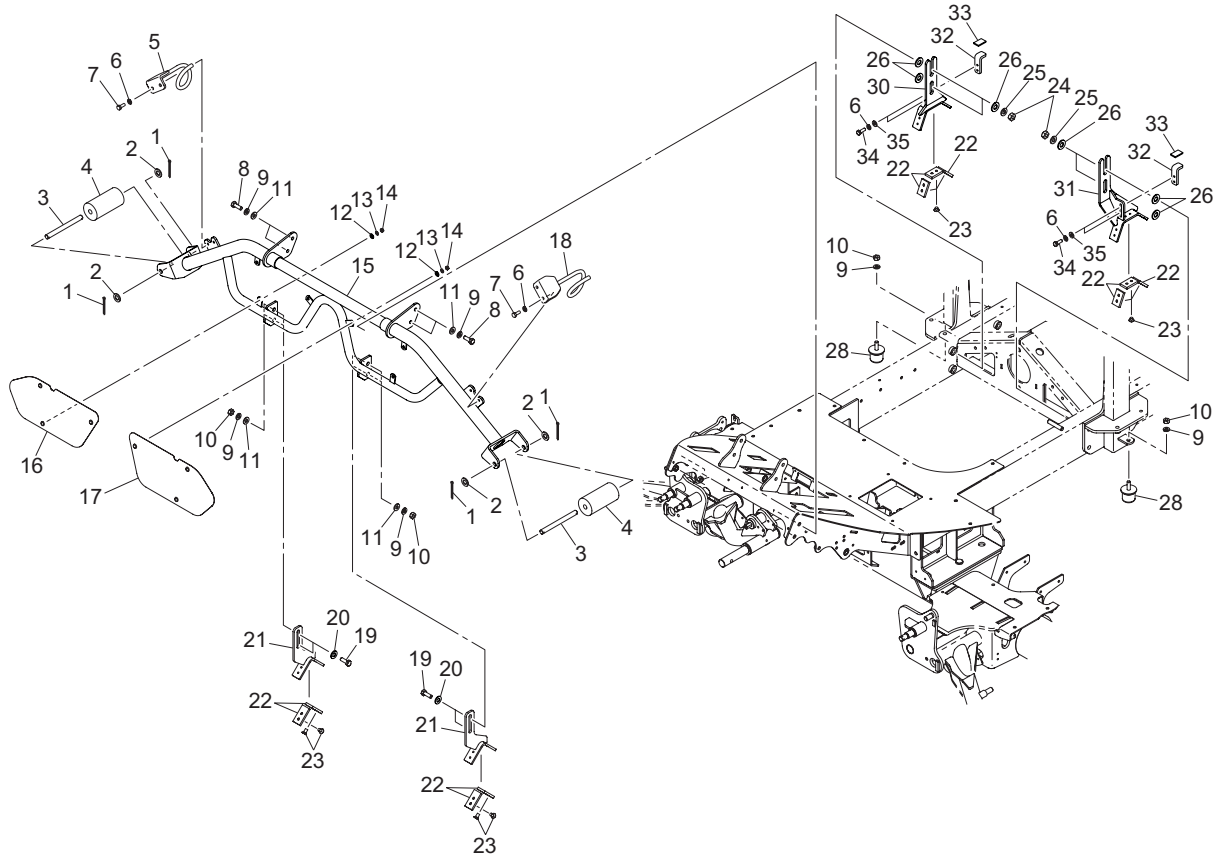


LM551_040_z00

Cat No.	Code No.	Part name	Qty	Remark	SN of application
40-1	K6031090458	PIN, FLAT HEAD HT M9.6-45.5	5		
40-2	K6215000412	COLLAR, STKM W/HOLE M25.5-36-16	5		
40-3	K0341000002	PIN, SNAP W/RETAINER M10	5		
40-4	LM551--1804ZR	CONNECTOR, MOWER (RH)	2		
40-5	K6010000150	BUSH, FLANGED 25-32-30	10		
40-6	K1440000010	GREASE NIPPLE, STRAIGHT TYPE A	5		
40-7	K0320080501	PIN, SPRING M8-50	5		
40-8	LM526A-0208A8	SHAFT, STOPPER	5		
40-9	K0332200008	PIN, SNAP M22	5		
40-10	LM551--1901ZR	ARM, MOWER LS66	3		
40-11	K0105140002	NUT, P1.5 M14-3	10		
40-12	K0212140002	WASHER, DISK SPRING 1L M14	10		
40-13	K5011020282	WASHER, SPCC 1-20-28	10		
40-14	K6082000132	BOLT, STEPPED FOR FIXING FRAME	10		
40-15	LM551--1902ZR	ARM, MOWER LS66 #2&3	2		
40-16	LM551--1803ZR	CONNECTOR, MOWER (LH)	3		

41.Mower arm section B (LS66)

LM551A

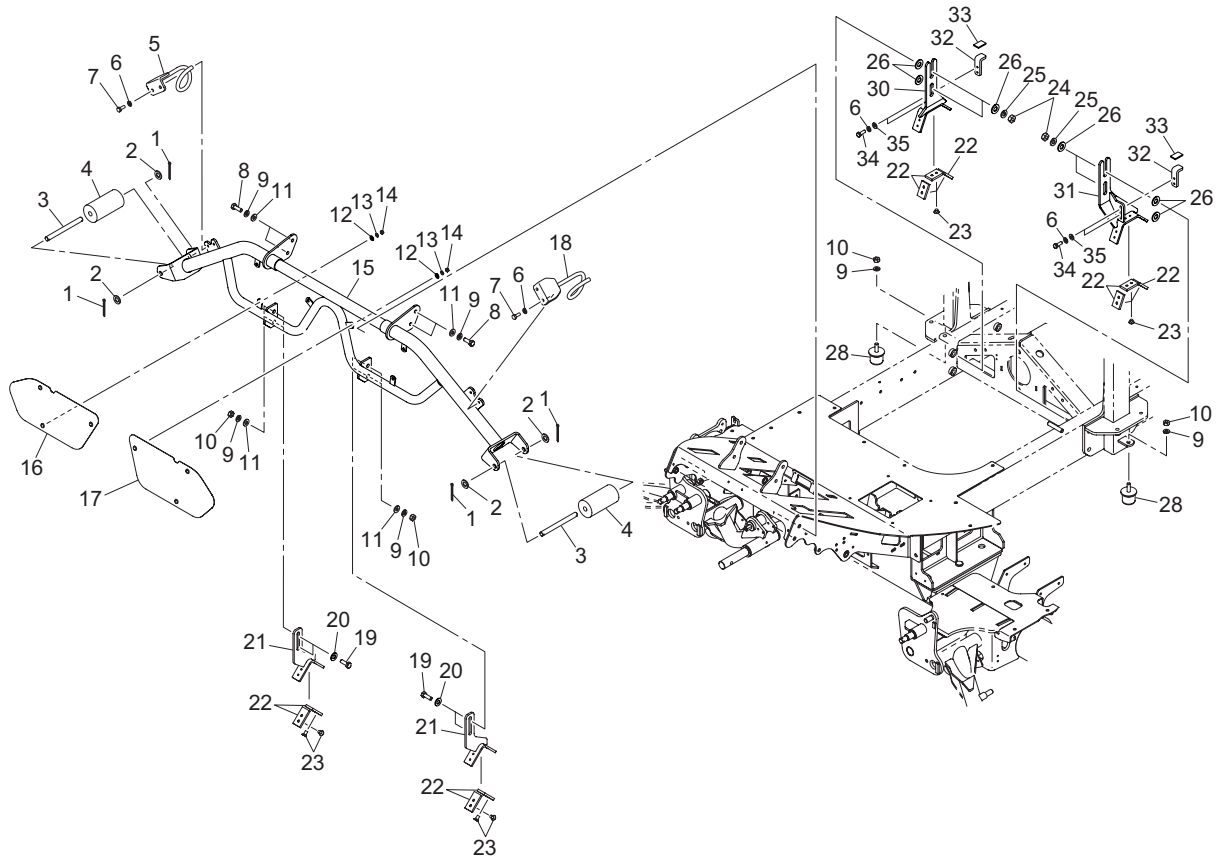


LM551_041_z01

Cat No.	Code No.	Part name	Qty	Remark	SN of application
41-1	K0300032222	PIN, COTTER M3.2-22	4		
41-2	K5000140002	WASHER, M14	4		
41-3	GM2800-0629Z2	SHAFT, ROLLER 155	2		
41-4	GM2800-0628Z0	RUBBER, ROLLER 120	2		
41-5	LM551--1807ZD	GUIDE, HOSE (RH)	1		
41-6	K0200080002	WASHER, SPRING M8	8		
41-7	K0000080202	BOLT, M8-20	4		
41-8	K0000100252	BOLT, M10-25	4		
41-9	K0200100002	WASHER, SPRING M10	10		
41-10	K0100100002	NUT, M10	6		
41-11	K5000100002	WASHER, M10	8		
41-12	K5000060002	WASHER, M6	6		
41-13	K0200060002	WASHER, SPRING M6	6		
41-14	K0100060002	NUT, M6	6		
41-15	LM551--1903ZD	GUIDE, MOWER UNIT #4&5(LS66)	1		
41-16	LM551--1809ZD	PANEL, FRONT (RH)	1		
41-17	LM551--1808ZD	PANEL, FRONT (LH)	1		
41-18	LM551--1806ZD	GUIDE, HOSE (LH)	1		
41-19	K0000100352	BOLT, M10-35	4		
41-20	K5073210352	WASHER, SPHC 3.2-10-35	4		
41-21	LM551--1810AD	STOPPER, MOWER #1	2		
41-22	LM526A-0107Z0	STOPPER	10		
41-23	K0041060122	SCREW, + FLAT HEAD M6-12	20		
41-24	K0100120002	NUT, M12	4		
41-25	K0200120002	WASHER, SPRING M12	4		
41-26	K5000120002	WASHER, M12	8		
41-27					
41-28	K4049050000	STOPPER, RUBBER KI-50	2		
41-29					
41-30	LM551--1906ZD	STOPPER, #2 MOWER (LS66)	1		

41.Mower arm section B (LS66)

LM551A

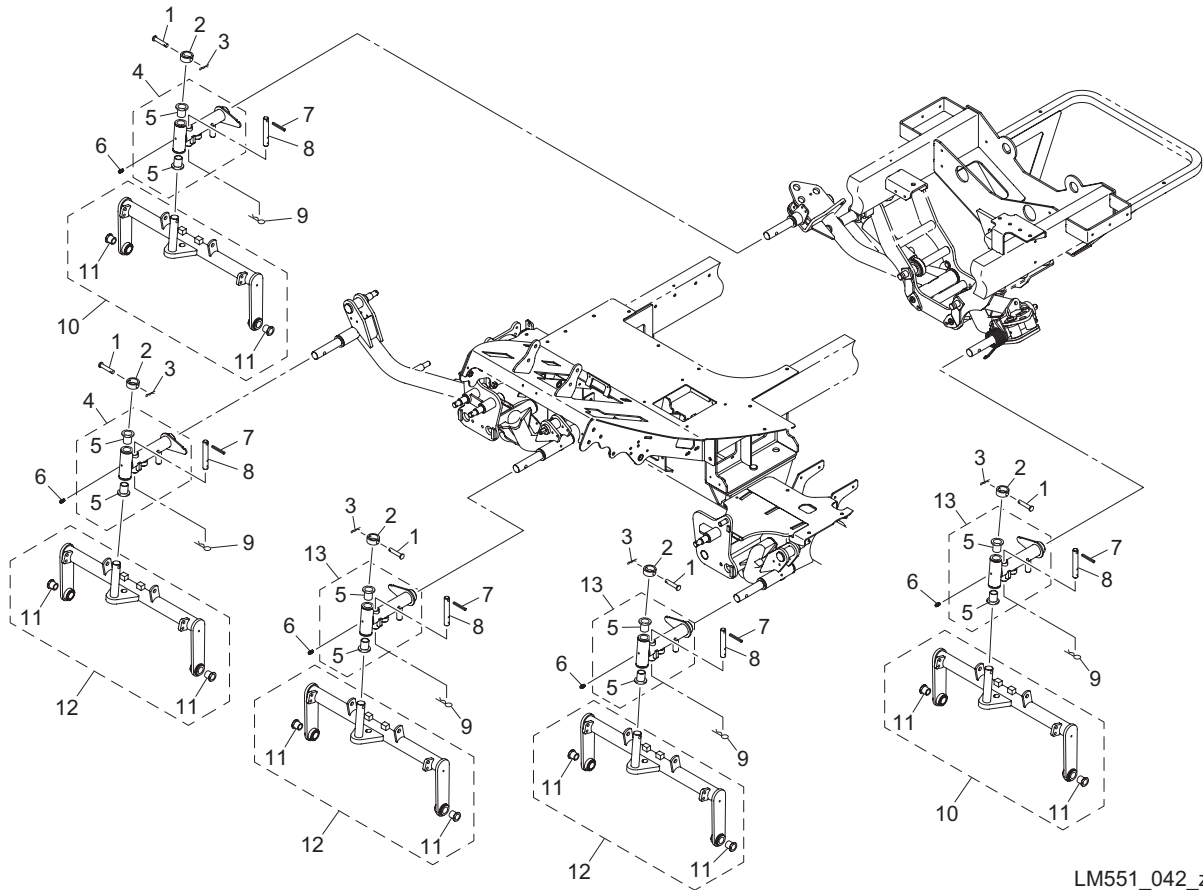


LM551_041_z01

Cat No.	Code No.	Part name	Qty	Remark	SN of application
41-31	LM551--1907ZD	STOPPER, #3 MOWER (LS66)	1		
41-32	LM551--1908ZD	FITTING, AUXILIARY FOR STOPPER	2		
41-33	K4033000540	RUBBER, PLATE 3-2535	2		
41-34	K0010080202	BOLT, HT M8-20	4		
41-35	K5000080002	WASHER, M8	4		

42.Mower arm section A (LH52)

LM551A

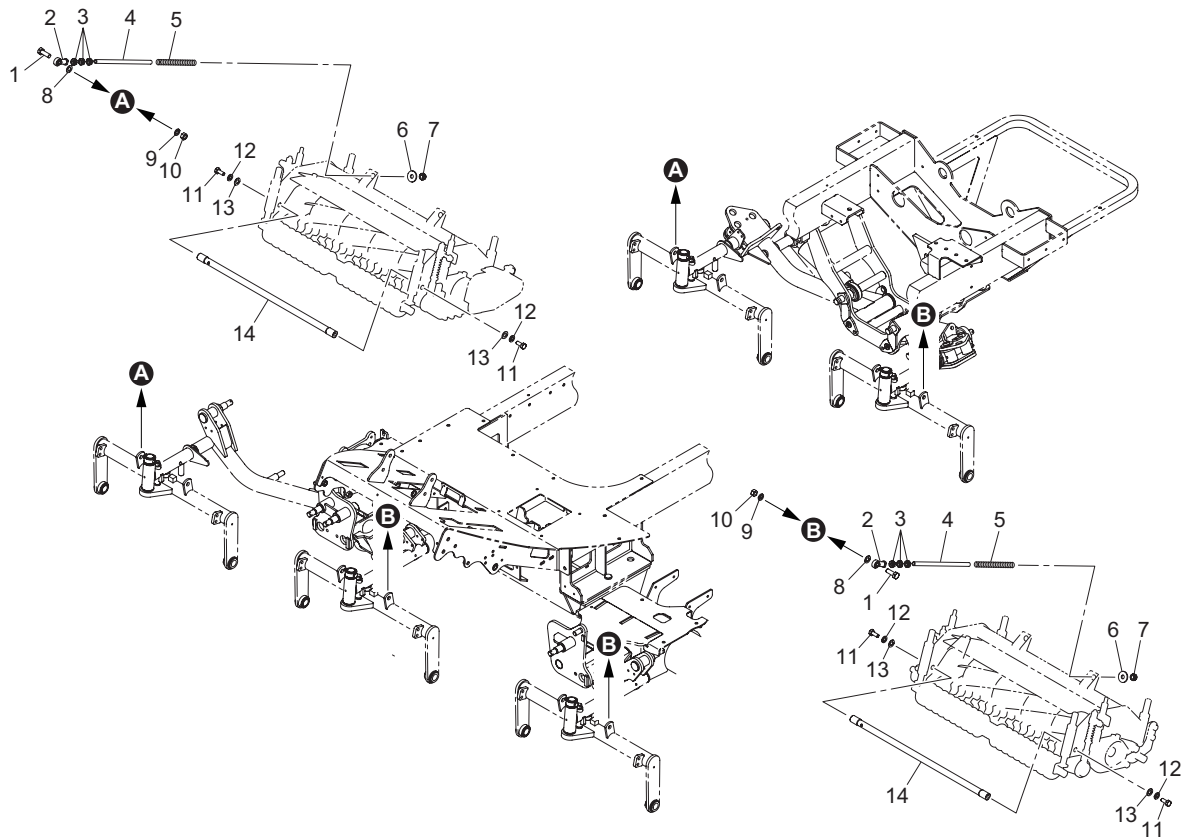


LM551_042_z00

Cat No.	Code No.	Part name	Qty	Remark	SN of application
42-1	K6031090458	PIN, FLAT HEAD HT M9.6-45.5	5		
42-2	K6215000412	COLLAR, STKM W/HOLE M25.5-36-16	5		
42-3	K0341000002	PIN, SNAP W/RETAINER M10	5		
42-4	LM551--1804ZR	CONNECTOR, MOWER (RH)	2		
42-5	K6010000150	BUSH, FLANGED 25-32-30	10		
42-6	K1440000010	GREASE NIPPLE, STRAIGHT TYPE A	5		
42-7	K0320080501	PIN, SPRING M8-50	5		
42-8	LM526A-0208A8	SHAFT, STOPPER	5		
42-9	K0332200008	PIN, SNAP M22	5		
42-10	LM551--2202ZR	ARM, MOWER LS52 #2&3	2		
42-11	K6010000130	BUSH, FLANGED 22-28-30	10		
42-12	LM551--2201ZR	ARM, MOWER LS52	3		
42-13	LM551--1803ZR	CONNECTOR, MOWER (LH)	3		

43.Mower arm section B (LH52)

LM551A

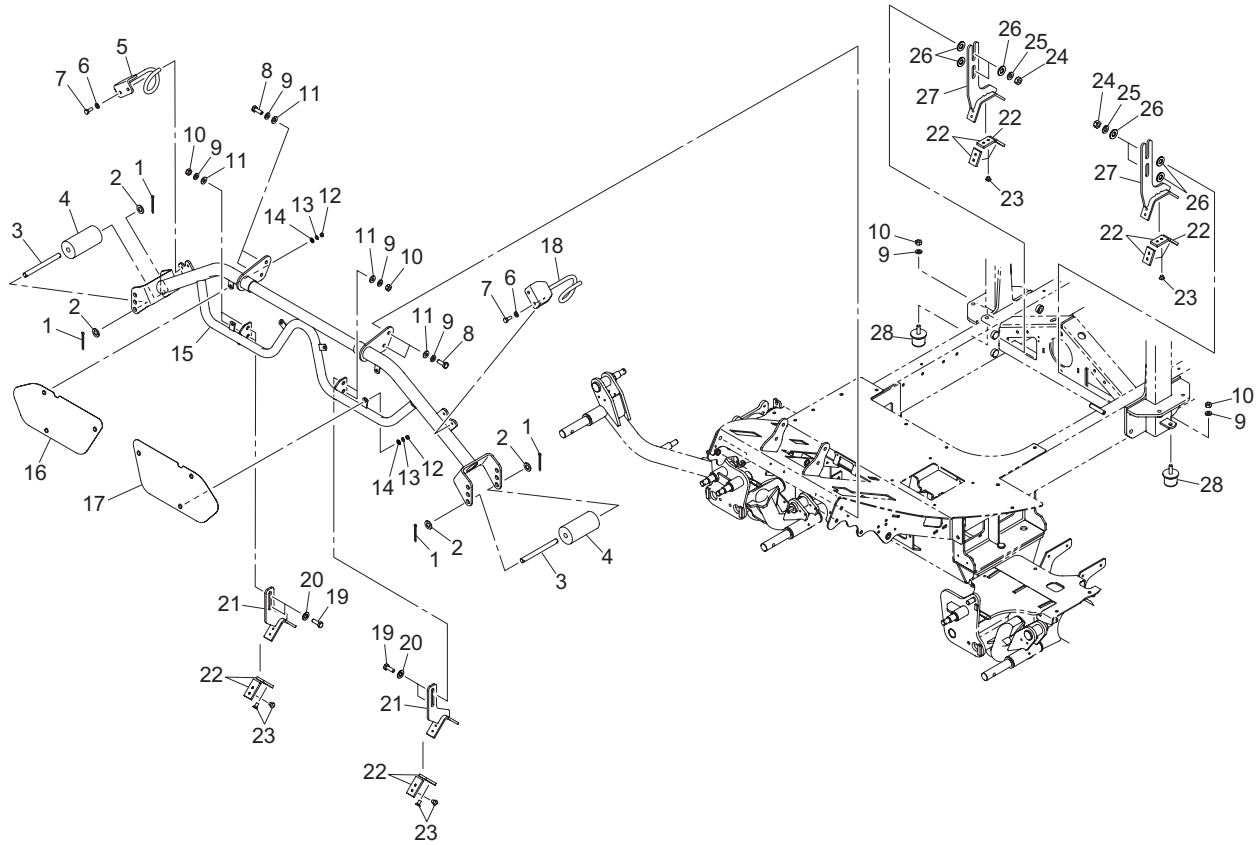


LM551_043_z00

Cat No.	Code No.	Part name	Qty	Remark	SN of application
43-1	K0000120402	BOLT, M12-40	5		
43-2	K1607120000	JOINT, SPHERICAL PHS12EC	5		
43-3	K0102120002	NUT, M12-3	15		
43-4	LM331--0121Z2	SHAFT, GROOVED M12-280	5		
43-5	K1000000998	SPRING, COMPRESSION M2-18-200	5		
43-6	K5073212352	WASHER, SPHC 3.2-12-35	5		
43-7	K0144120002	NUT, W/F-RING M12	5		
43-8	K5000120002	WASHER, M12	5		
43-9	K0200120002	WASHER, SPRING M12	5		
43-10	K0100120002	NUT, M12	5		
43-11	K0000120352	BOLT, M12-35	10		
43-12	K0200120002	WASHER, SPRING M12	10		
43-13	K5000120002	WASHER, M12	10		
43-14	LM551--2203Z2	PIPE, STAY	5		

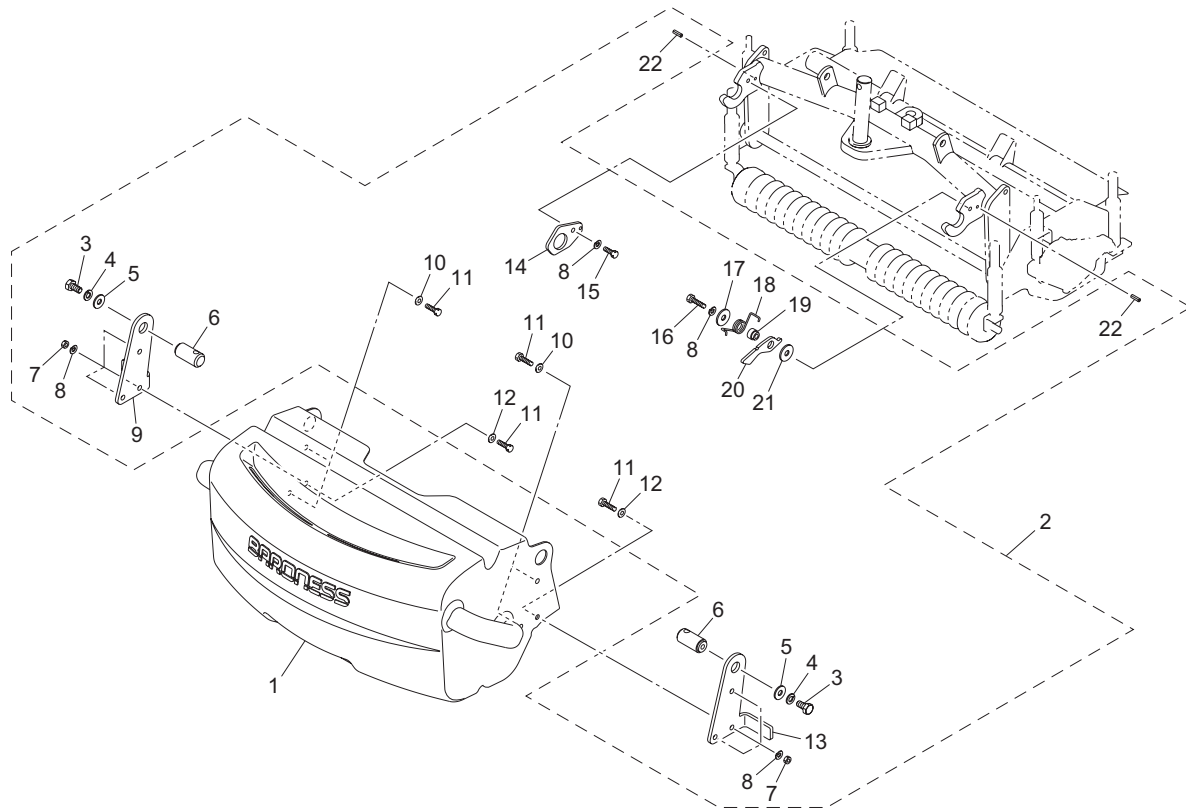
44.Mower arm section C (LH52)

LM551A



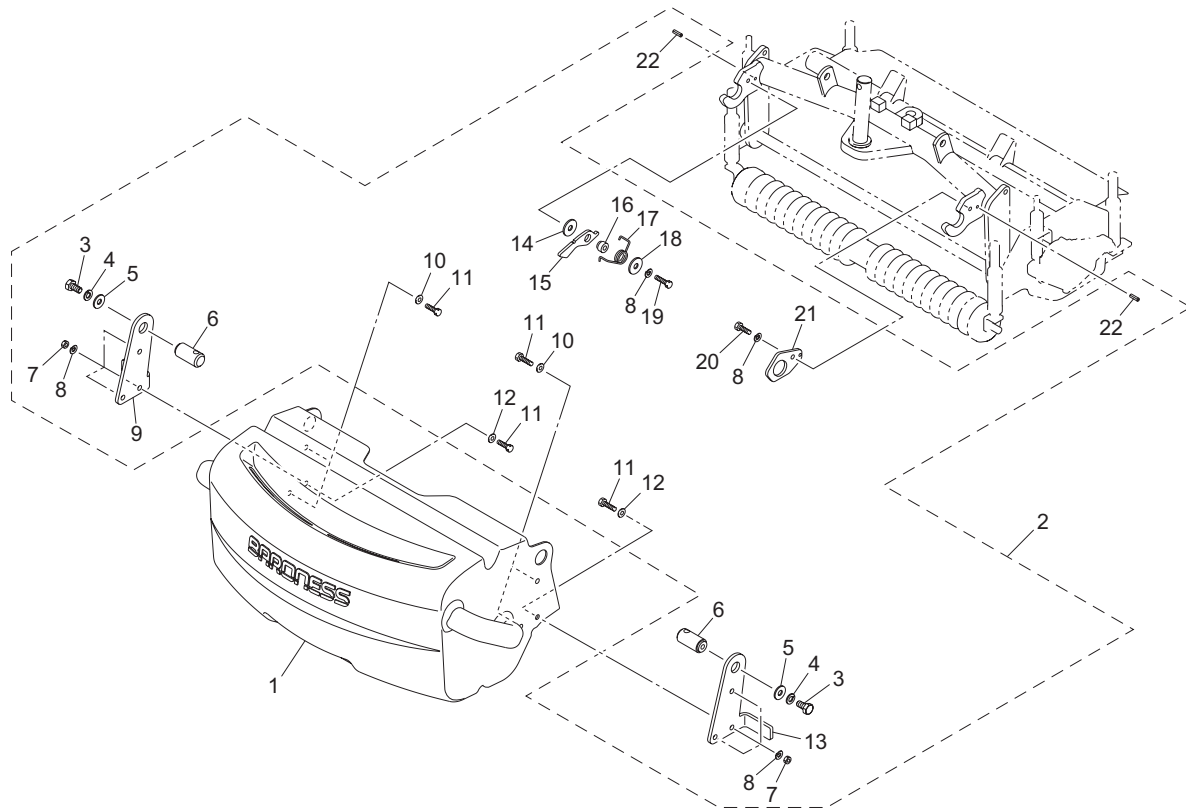
LM551_044_z00

Cat No.	Code No.	Part name	Qty	Remark	SN of application
44-1	K0300032222	PIN, COTTER M3.2-22	4		
44-2	K5000140002	WASHER, M14	4		
44-3	GM2800-0629Z2	SHAFT, ROLLER 155	2		
44-4	GM2800-0628Z0	RUBBER, ROLLER 120	2		
44-5	LM551--1807ZD	GUIDE, HOSE (RH)	1		
44-6	K0200080002	WASHER, SPRING M8	4		
44-7	K0000080202	BOLT, M8-20	4		
44-8	K0000100252	BOLT, M10-25	4		
44-9	K0200100002	WASHER, SPRING M10	10		
44-10	K0100100002	NUT, M10	6		
44-11	K5000100002	WASHER, M10	8		
44-12	K0100060002	NUT, M6	6		
44-13	K0200060002	WASHER, SPRING M6	6		
44-14	K5000060002	WASHER, M6	6		
44-15	LM551--1805ZD	GUIDE, MOWER UNIT #4&5	1		
44-16	LM551--1809ZD	PANEL, FRONT (RH)	1		
44-17	LM551--1808ZD	PANEL, FRONT (LH)	1		
44-18	LM551--1806ZD	GUIDE, HOSE (LH)	1		
44-19	K0000100352	BOLT, M10-35	4		
44-20	K5073210352	WASHER, SPHC 3.2-10-35	4		
44-21	LM551--1810AD	STOPPER, MOWER #1	2		
44-22	LM526A-0107Z0	STOPPER	10		
44-23	K0041060122	SCREW, + FLAT HEAD M6-12	20		
44-24	K0100120002	NUT, M12	4		
44-25	K0200120002	WASHER, SPRING M12	4		
44-26	K5000120002	WASHER, M12	8		
44-27	LM551--1811ZD	STOPPER, #2&3 MOWER	2		
44-28	K4049050000	STOPPER, RUBBER KI-50	2		



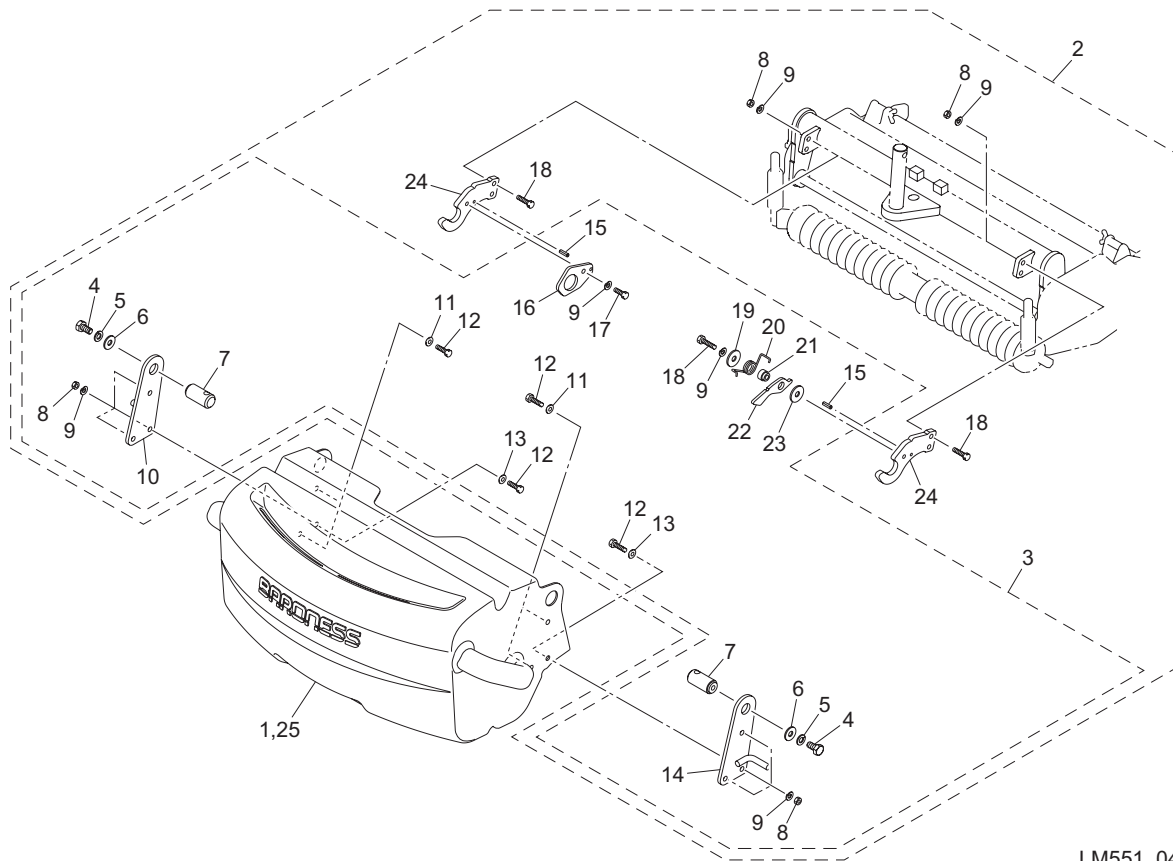
LM551_045_z00

Cat No.	Code No.	Part name	Qty	Remark	SN of application
45-1	LS62---6001Z0	GRASS CATCHER, 22	1		
45-2	LH66L--6110Z0	KIT, BRACKET & SPRING (LH) FOR GRASS CATCHER	1		
45-3	K0000100202	BOLT, M10-20	2		
45-4	K0200100002	WASHER, SPRING M10	2		
45-5	K5073210262	WASHER, SPHC 3.2-10-26	2		
45-6	LS66---6101Z2	PIN, GRASS CATCHER	2		
45-7	K0100080002	NUT, M8	6		
45-8	K0200080002	WASHER, SPRING M8	8		
45-9	LH6690-6102ZD	BRACKET, (RH)	1		
45-10	K5012308352	WASHER, SPCC 2.3-8-35	4		
45-11	K0000080252	BOLT, M8-25	6		
45-12	K5000080002	WASHER, M8	2		
45-13	LH6690-6101ZD	BRACKET, (LH)	1		
45-14	LS66---6106ZD	PLATE, MOUNTING	1		
45-15	K0000080202	BOLT, M8-20	1		
45-16	K0000080302	BOLT, M8-30	1		
45-17	K5012308262	WASHER, SPCC 2.3-8-26	1		
45-18	LS66---6105Z8	SPRING, TORSION W/U-SHAPED END (LH)	1		
45-19	LS66---6103Z2	COLLAR, 8.5	1		
45-20	LS66---6102ZD	HOOK	1		
45-21	K5051008180	WASHER, C5191P 1-8-18	1		
45-22	K0320050141	PIN, SPRING M5-14	2		



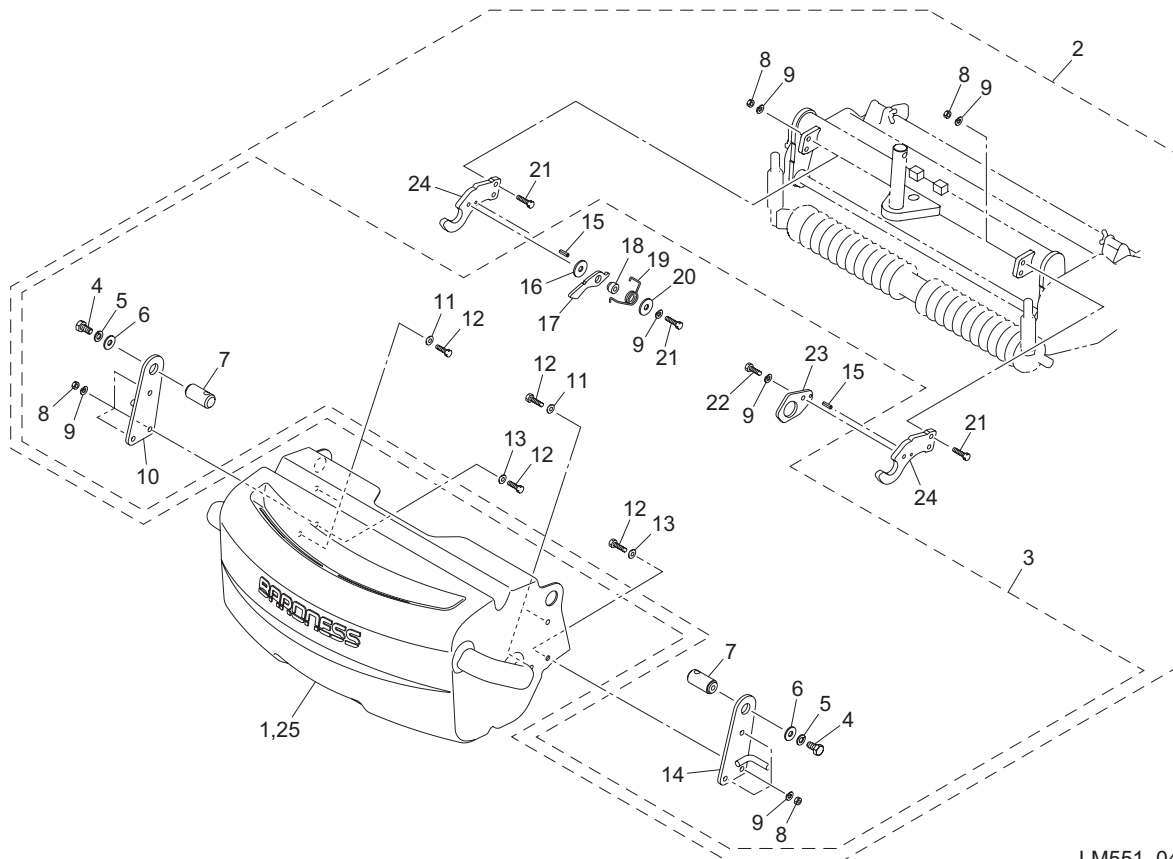
LM551_046_z00

Cat No.	Code No.	Part name	Qty	Remark	SN of application
46-1	LS62---6001Z0	GRASS CATCHER, 22	1		
46-2	LH66R--6110Z0	KIT, BRACKET & SPRING (RH) FOR GRASS CATCHER	1		
46-3	K0000100202	BOLT, M10-20	2		
46-4	K0200100002	WASHER, SPRING M10	2		
46-5	K5073210262	WASHER, SPHC 3.2-10-26	2		
46-6	LS66---6101Z2	PIN, GRASS CATCHER	2		
46-7	K0100080002	NUT, M8	6		
46-8	K0200080002	WASHER, SPRING M8	8		
46-9	LH6690-6102ZD	BRACKET, (RH)	1		
46-10	K5012308352	WASHER, SPCC 2.3-8-35	4		
46-11	K0000080252	BOLT, M8-25	6		
46-12	K5000080002	WASHER, M8	2		
46-13	LH6690-6101ZD	BRACKET, (LH)	1		
46-14	K5051008180	WASHER, C5191P 1-8-18	1		
46-15	LS66---6102ZD	HOOK	1		
46-16	LS66---6103Z2	COLLAR, 8.5	1		
46-17	LS66---6104Z8	SPRING, TORSION W/U-SHAPED END (RH)	1		
46-18	K5012308262	WASHER, SPCC 2.3-8-26	1		
46-19	K0000080302	BOLT, M8-30	1		
46-20	K0000080202	BOLT, M8-20	1		
46-21	LS66---6106ZD	PLATE, MOUNTING	1		
46-22	K0320050141	PIN, SPRING M5-14	2		



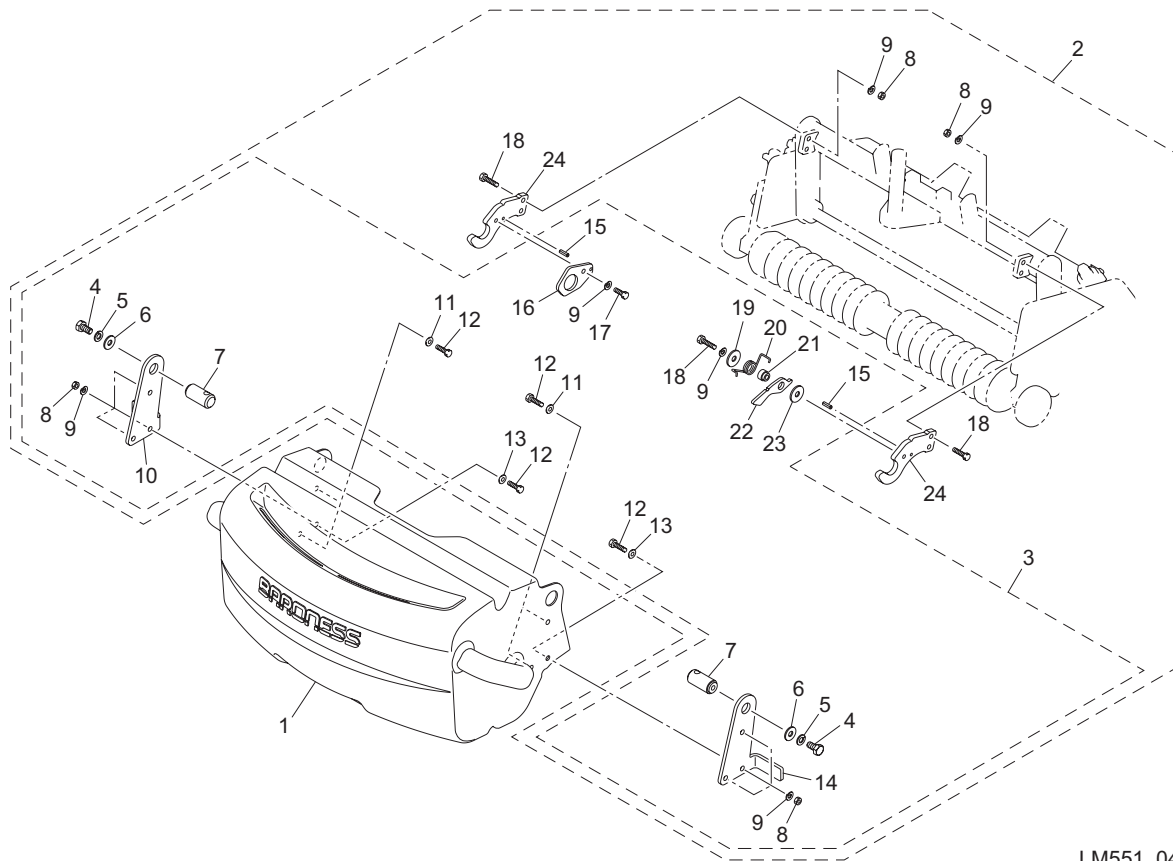
LM551_047_z00

Cat No.	Code No.	Part name	Qty	Remark	SN of application
47-1	LS62---6001Z0	GRASS CATCHER, 22	1	for 22inch	
47-2	LS62L--6111Z0	KIT, BRACKET & SPRING (LH) FOR GRASS CATCHER	1		
47-3	LS62L--6110Z0	KIT, BRACKET & SPRING (LH) FOR GRASS CATCHER	1		
47-4	K0000100202	BOLT, M10-20	2		
47-5	K0200100002	WASHER, SPRING M10	2		
47-6	K5073210262	WASHER, SPHC 3.2-10-26	2		
47-7	LS66---6101Z2	PIN, GRASS CATCHER	2		
47-8	K0100080002	NUT, M8	10		
47-9	K0200080002	WASHER, SPRING M8	12		
47-10	LS66---6108ZD	BRACKET, (RH)	1		
47-11	K5012308352	WASHER, SPCC 2.3-8-35	4		
47-12	K0000080252	BOLT, M8-25	6		
47-13	K5000080002	WASHER, M8	2		
47-14	LS66---6107ZD	BRACKET, (LH)	1		
47-15	K0320050141	PIN, SPRING M5-14	2		
47-16	LS66---6106ZD	PLATE, MOUNTING	1		
47-17	K0000080202	BOLT, M8-20	1		
47-18	K0000080302	BOLT, M8-30	5		
47-19	K5012308262	WASHER, SPCC 2.3-8-26	1		
47-20	LS66---6105Z8	SPRING, TORSION W/U-SHAPED END (LH)	1		
47-21	LS66---6103Z2	COLLAR, 8.5	1		
47-22	LS66---6102ZD	HOOK	1		
47-23	K5051008180	WASHER, C5191P 1-8-18	1		
47-24	LH52---6101ZD	PLATE, MOUNTING	2		
47-25	LS66---6001Z0	GRASS CATCHER, 26	1	for 26inch	



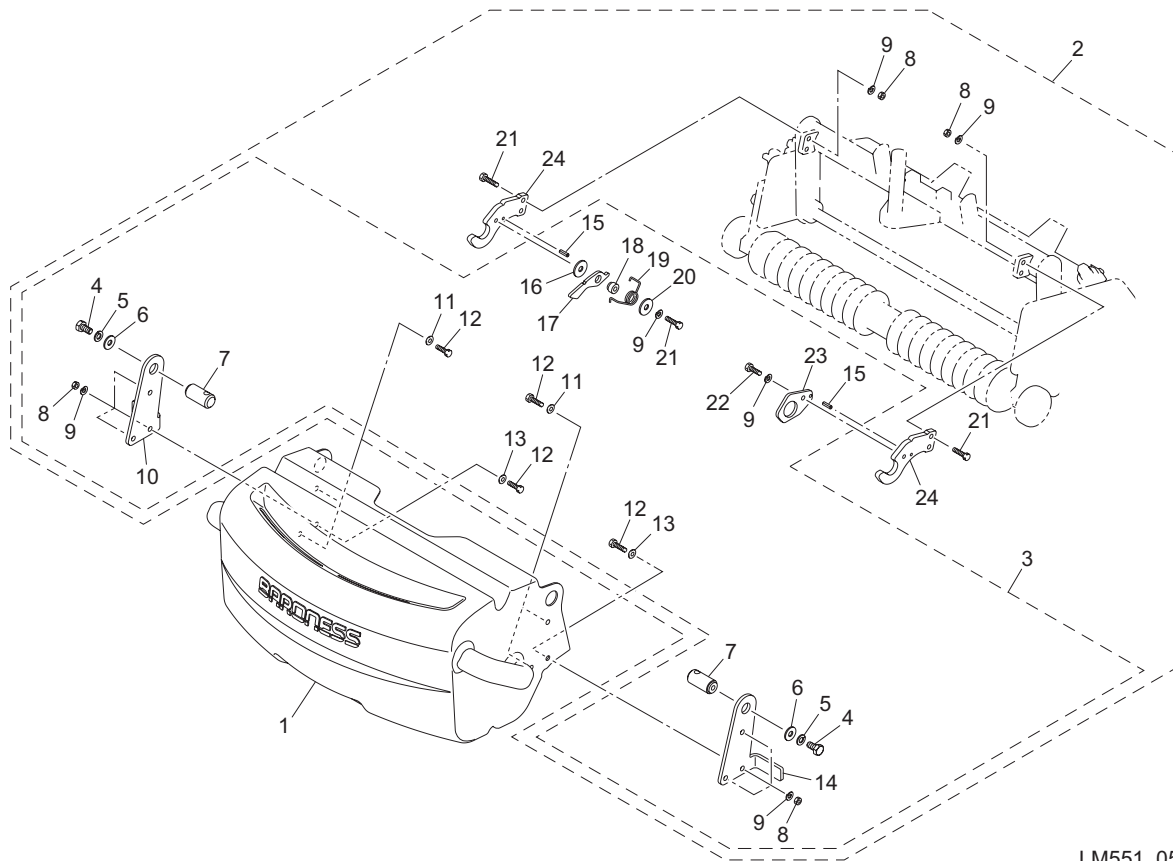
LM551_048_z00

Cat No.	Code No.	Part name	Qty	Remark	SN of application
48-1	LS62---6001Z0	GRASS CATCHER, 22	1	for 22inch	
48-2	LS62R--6111Z0	KIT, BRACKET & SPRING (RH) FOR GRASS CATCHER	1		
48-3	LS62R--6110Z0	KIT, BRACKET & SPRING (RH) FOR GRASS CATCHER	1		
48-4	K0000100202	BOLT, M10-20	2		
48-5	K0200100002	WASHER, SPRING M10	2		
48-6	K5073210262	WASHER, SPHC 3.2-10-26	2		
48-7	LS66---6101Z2	PIN, GRASS CATCHER	2		
48-8	K0100080002	NUT, M8	10		
48-9	K0200080002	WASHER, SPRING M8	12		
48-10	LS66---6108ZD	BRACKET, (RH)	1		
48-11	K5012308352	WASHER, SPCC 2.3-8-35	4		
48-12	K0000080252	BOLT, M8-25	6		
48-13	K5000080002	WASHER, M8	2		
48-14	LS66---6107ZD	BRACKET, (LH)	1		
48-15	K0320050141	PIN, SPRING M5-14	2		
48-16	K5051008180	WASHER, C5191P 1-8-18	1		
48-17	LS66---6102ZD	HOOK	1		
48-18	LS66---6103Z2	COLLAR, 8.5	1		
48-19	LS66---6104Z8	SPRING, TORSION W/U-SHAPED END (RH)	1		
48-20	K5012308262	WASHER, SPCC 2.3-8-26	1		
48-21	K0000080302	BOLT, M8-30	5		
48-22	K0000080202	BOLT, M8-20	1		
48-23	LS66---6106ZD	PLATE, MOUNTING	1		
48-24	LH52---6101ZD	PLATE, MOUNTING	2		
48-25	LS66---6001Z0	GRASS CATCHER, 26	1	for 26inch	



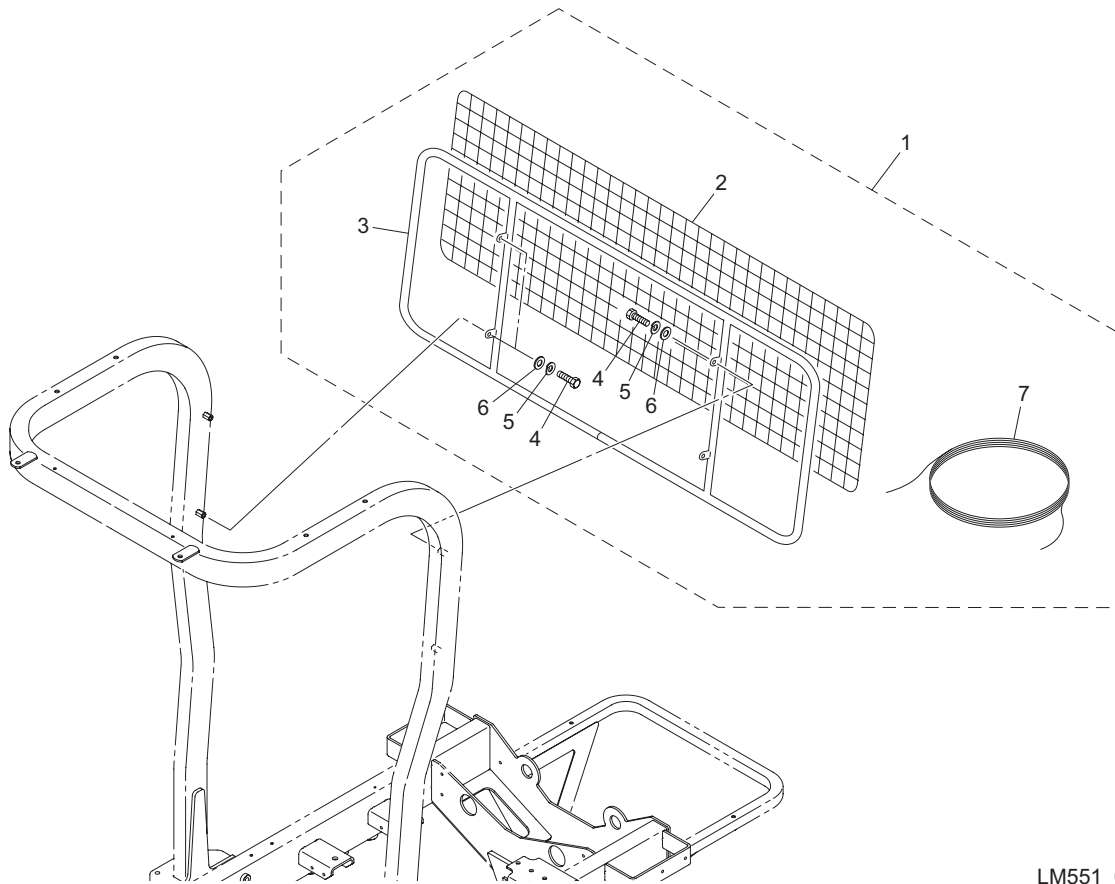
LM551_049_z00

Cat No.	Code No.	Part name	Qty	Remark	SN of application
49-1	LS62---6001Z0	GRASS CATCHER, 22	1		
49-2	LH52L--6110Z0	KIT, BRACKET & SPRING (LH) FOR GRASS CATCHER	1		
49-3	LH66L--6110Z0	KIT, BRACKET & SPRING (LH) FOR GRASS CATCHER	1		
49-4	K0000100202	BOLT, M10-20	2		
49-5	K0200100002	WASHER, SPRING M10	2		
49-6	K5073210262	WASHER, SPHC 3.2-10-26	2		
49-7	LS66---6101Z2	PIN, GRASS CATCHER	2		
49-8	K0100080002	NUT, M8	10		
49-9	K0200080002	WASHER, SPRING M8	12		
49-10	LH6690-6102ZD	BRACKET, (RH)	1		
49-11	K5012308352	WASHER, SPCC 2.3-8-35	4		
49-12	K0000080252	BOLT, M8-25	6		
49-13	K5000080002	WASHER, M8	2		
49-14	LH6690-6101ZD	BRACKET, (LH)	1		
49-15	K0320050141	PIN, SPRING M5-14	2		
49-16	LS66---6106ZD	PLATE, MOUNTING	1		
49-17	K0000080202	BOLT, M8-20	1		
49-18	K0000080302	BOLT, M8-30	5		
49-19	K5012308262	WASHER, SPCC 2.3-8-26	1		
49-20	LS66---6105Z8	SPRING, TORSION W/U-SHAPED END (LH)	1		
49-21	LS66---6103Z2	COLLAR, 8.5	1		
49-22	LS66---6102ZD	HOOK	1		
49-23	K5051008180	WASHER, C5191P 1-8-18	1		
49-24	LH52---6101ZD	PLATE, MOUNTING	2		



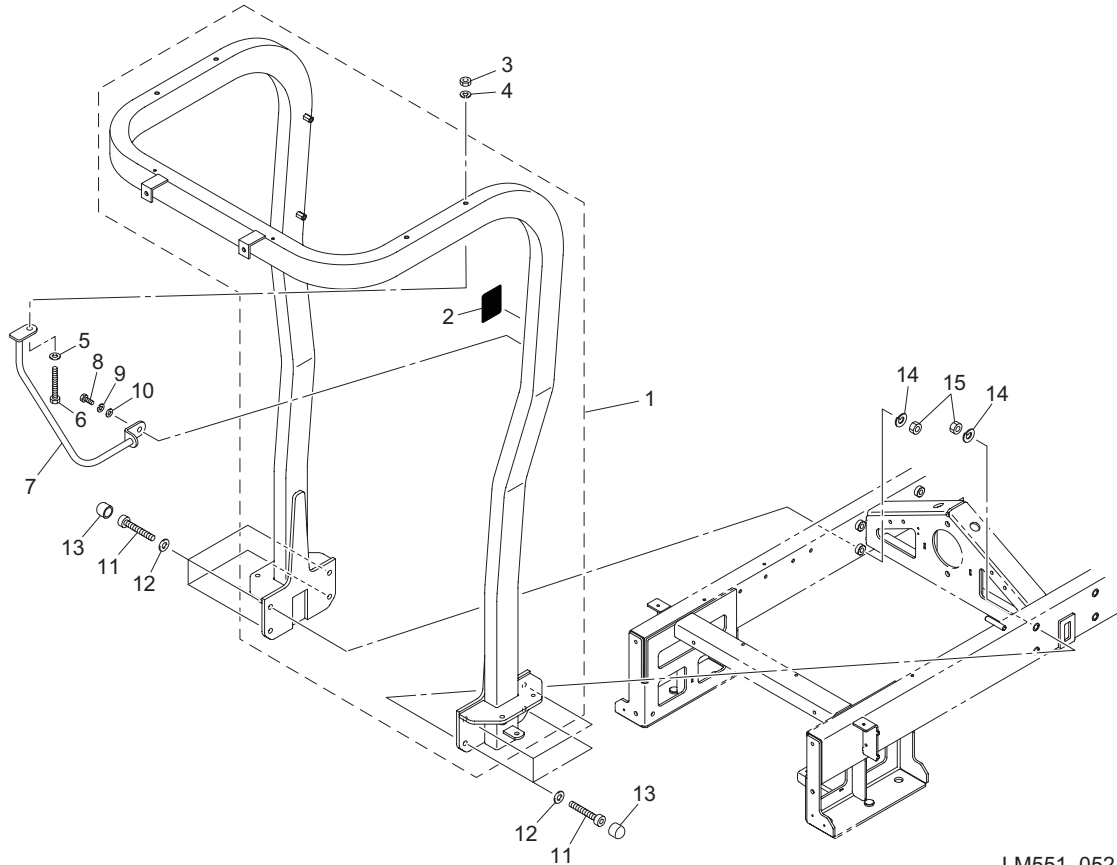
LM551_050_z00

Cat No.	Code No.	Part name	Qty	Remark	SN of application
50-1	LS62---6001Z0	GRASS CATCHER, 22	1		
50-2	LH52R--6110Z0	KIT, BRACKET & SPRING (RH) FOR GRASS CATCHER	1		
50-3	LH66R--6110Z0	KIT, BRACKET & SPRING (RH) FOR GRASS CATCHER	1		
50-4	K0000100202	BOLT, M10-20	2		
50-5	K0200100002	WASHER, SPRING M10	2		
50-6	K5073210262	WASHER, SPHC 3.2-10-26	2		
50-7	LS66---6101Z2	PIN, GRASS CATCHER	2		
50-8	K0100080002	NUT, M8	10		
50-9	K0200080002	WASHER, SPRING M8	12		
50-10	LH6690-6102ZD	BRACKET, (RH)	1		
50-11	K5012308352	WASHER, SPCC 2.3-8-35	4		
50-12	K0000080252	BOLT, M8-25	6		
50-13	K5000080002	WASHER, M8	2		
50-14	LH6690-6101ZD	BRACKET, (LH)	1		
50-15	K0320050141	PIN, SPRING M5-14	2		
50-16	K5051008180	WASHER, C5191P 1-8-18	1		
50-17	LS66---6102ZD	HOOK	1		
50-18	LS66---6103Z2	COLLAR, 8.5	1		
50-19	LS66---6104Z8	SPRING, TORSION W/U-SHAPED END (RH)	1		
50-20	K5012308262	WASHER, SPCC 2.3-8-26	1		
50-21	K0000080302	BOLT, M8-30	5		
50-22	K0000080202	BOLT, M8-20	1		
50-23	LS66---6106ZD	PLATE, MOUNTING	1		
50-24	LH52---6101ZD	PLATE, MOUNTING	2		



LM551_051_z00

Cat No.	Code No.	Part name	Qty	Remark	SN of application
51-1	LM551--2701Z0	NET ASSY, BALL PROOF	1		
51-2	K4130000020	NET, PROTECTION 550*1375 S	1		
51-3	LM551--2702ZD	BRACKET, PROTECTIVE NET	1		
51-4	K0000080202	BOLT, M8-20	3		
51-5	K0200080002	WASHER, SPRING M8	3		
51-6	K5000080002	WASHER, M8	3		
51-7	K4140000020	ROPE, 2-6700S	2		

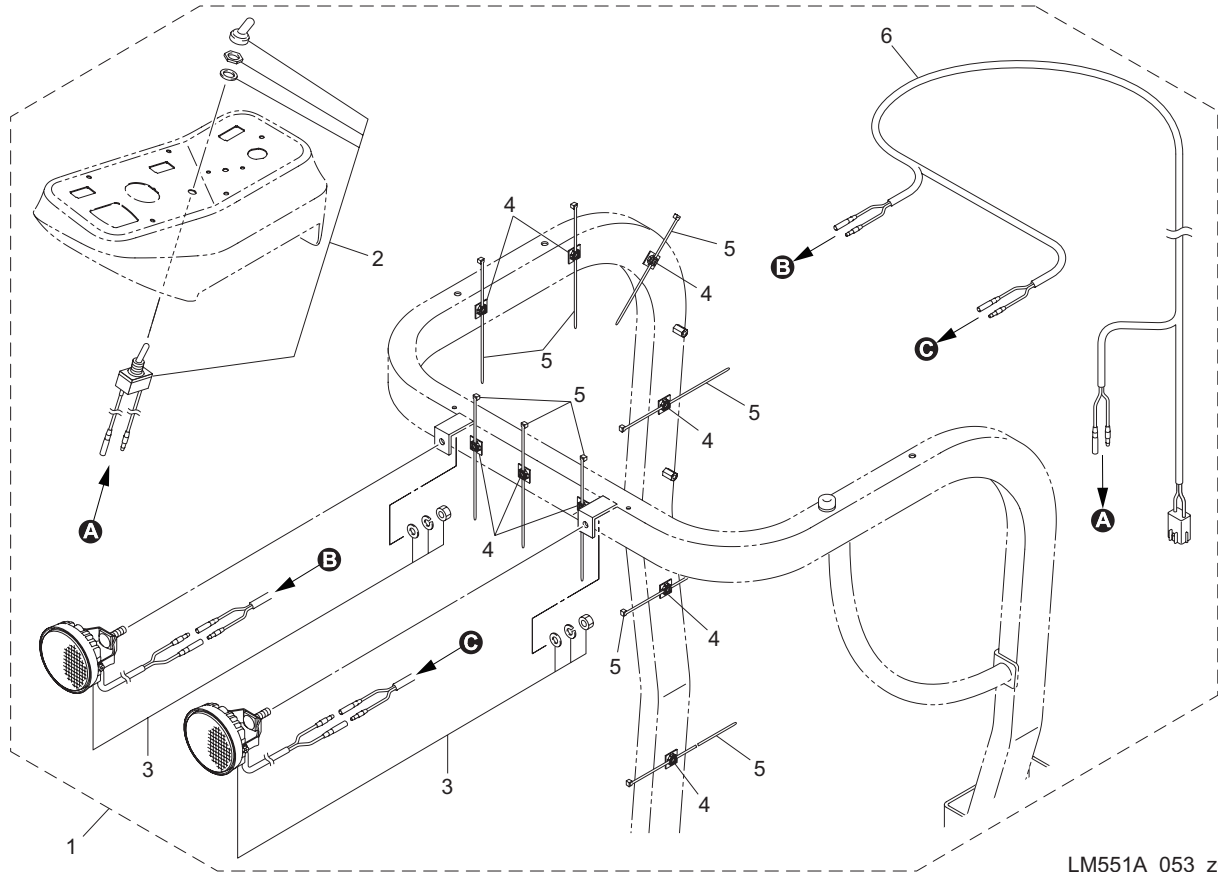


LM551_052_z01

Cat No.	Code No.	Part name	Qty	Remark	SN of application
52-1	LM551--2305Z0	ROPS, 2 POLE W/MARK	1		
52-2	K4205001710	DECAL, CAUTION TO ROPS	1		
52-3	K0100100002	NUT, M10	1		
52-4	K0200100002	WASHER, SPRING M10	1		
52-5	K5000100002	WASHER, M10	1		
52-6	K0000101002	BOLT, M10-100	1		
52-7	LM551--2306ZD	BAR, SUPPORTING	1		
52-8	K0000080302	BOLT, M8-30	1		
52-9	K0200080002	WASHER, SPRING M8	1		
52-10	K5000080002	WASHER, M8	1		
52-11	K001A121101	BOLT, 13T W/HEX HOLE M12-110	8		
52-12	K5000120002	WASHER, M12	8		
52-13	K1310000190	CAP, DOME 17*15L	8		
52-14	K0200120002	WASHER, SPRING M12	8		
52-15	K0191120001	NUT, 10T SCM435H M12	8		

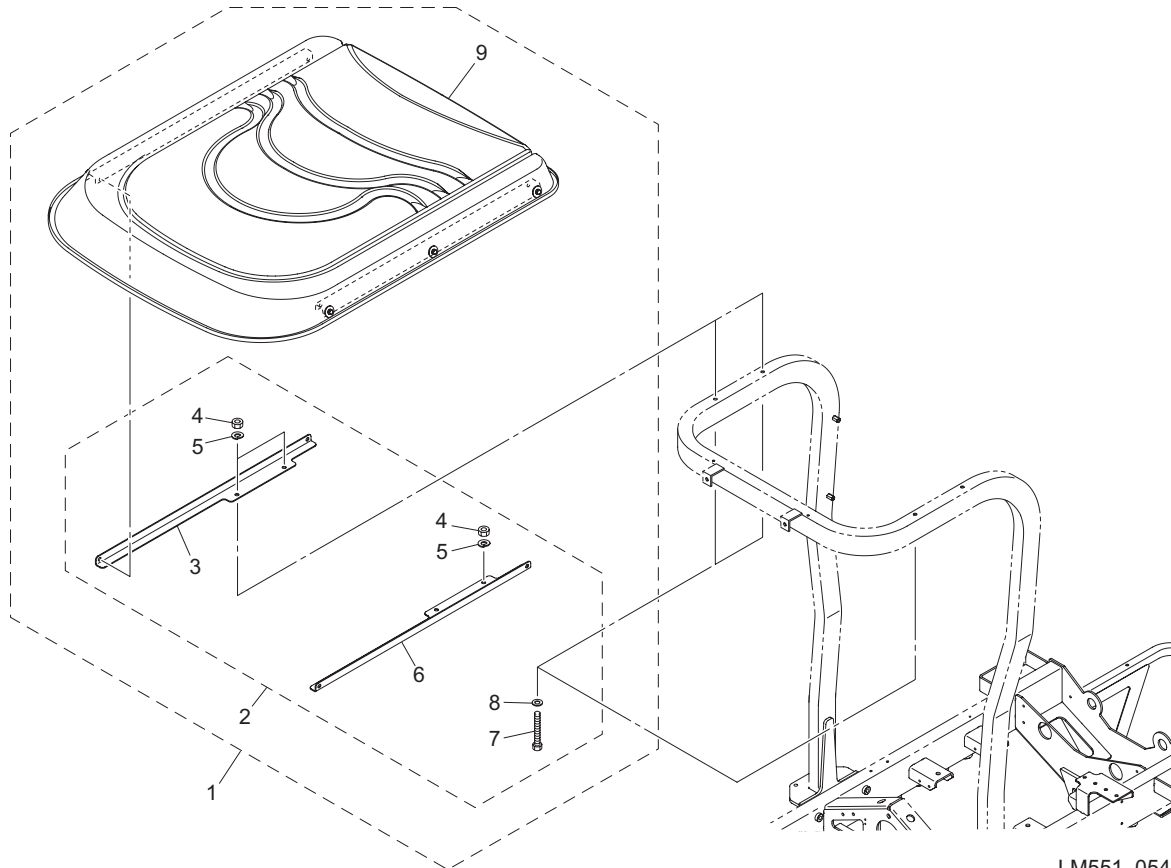
53.Light section

LM551A



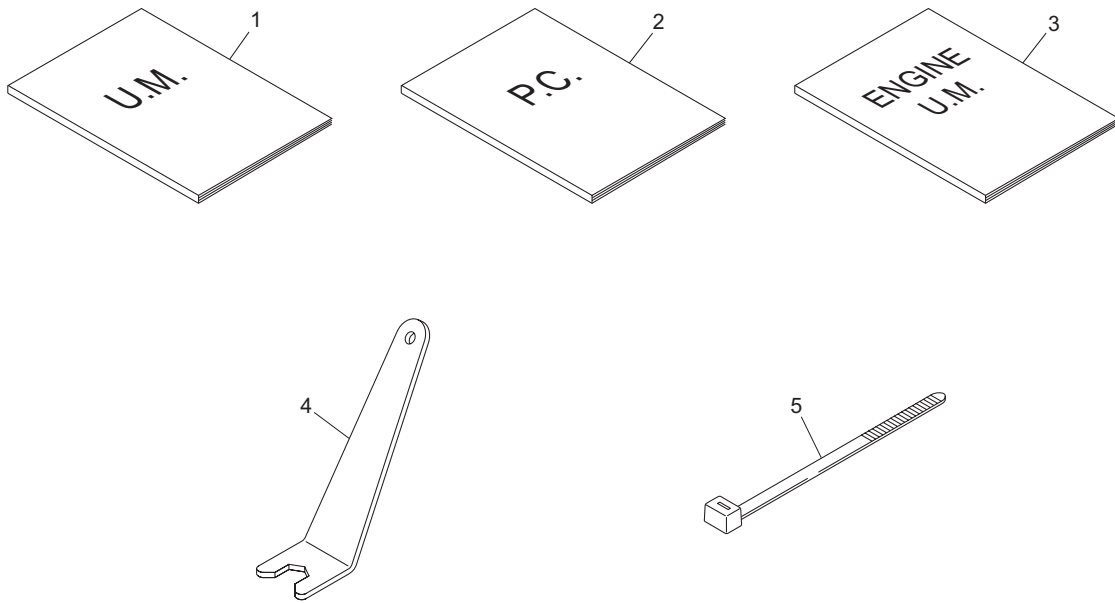
LM551A_053_z00

Cat No.	Code No.	Part name	Qty	Remark	SN of application
53a-1	LM551--1301Z0	KIT, HEAD LIGHT	1		
53-2	K3662000110	SWITCH, TOGGLE FOR LAMP WD1011	1		
53-3	K3640000090	LAMP, LED WORKING NS-2556	2		
53-4	K4251000030	FITTING, NYRON SGABM25-AV	9		
53-5	K4241000060	BAND, PLASTIC TRCV-160LW	9		
53-6	LM551--1302Z0	HARNESS, LIGHT	1		



LM551_054_z00

Cat No.	Code No.	Part name	Qty	Remark	SN of application
54-1	LM551--2801Z0	ROOF ASSY, W/BRACKETS	1		
54-2	LM551--2802Z0	METAL ASSY, MOUNTING AWNING FRAME	1		
54-3	LM551--2804ZD	BRACKET, ROOF (RH)	1		
54-4	K0100100002	NUT, M10	3		
54-5	K0200100002	WASHER, SPRING M10	3		
54-6	LM551--2803ZD	BRACKET, ROOF (LH)	1		
54-7	K0000101002	BOLT, M10-100	3		
54-8	K5000100002	WASHER, M10	3		
54-9	K9120000030	ROOF ASSY	1		



LM551_055_z01

Cat No.	Code No.	Part name	Qty	Remark	SN of application
55a-1	750101-140-A	OWNERS OPERATING MANUAL, LM551A	1		
55a-2	750101-140-B	PARTS CATALOG, LM551A	1		
55a-3	PF1J050-8916-3	OPERATING MANUAL, ENGINE KUBOTA	1		
55-4	LM551-6101Z2	SPANNER, FOR ROTARY VALVE LOCK NUT	1		
55-5	K4241000040	BAND, PLASTIC TRCV-200W	2		

BARONESS[®]
Quality on Demand

 **KYOEISHA CO., LTD.**
Head Office 1-26, Miyuki-cho, Toyokawa-city, Tel :+81-533-84-1390
Aichi-pref, 442-8530 JAPAN Fax :+81-533-84-1220