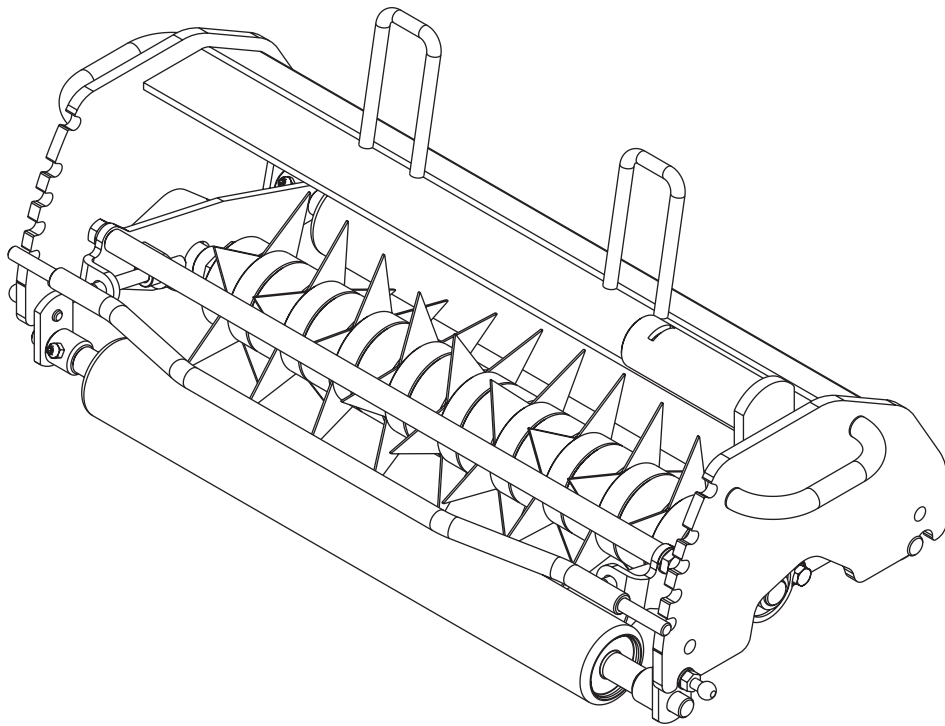


LM315GC

Spiker Unit

Parts Catalog



BARONESS[®]

Quality on Demand

Ver.1.0

Greeting

Thank you for purchasing Baroness machine.

This machine has been shipped from the factory after comprehensive test runs and inspections. However, the optimum performance of the machine depends on how you use and maintain it, including routine inspections, adjustments, and fuel supplies before and after the operation.

We hope you will use the machine safely, and take advantage of its best performance.

Note

(For inquiry about this machine)

Since the type of machine may be changed sequentially, inform us of the type and the serial number.

The information described in this manual is subject to change without prior notice.

When replacing parts, be sure to use Baroness parts or parts designated by Kyo-eisha.

Note that the Baroness product warranty may not apply to defects caused by the use of parts from other companies.

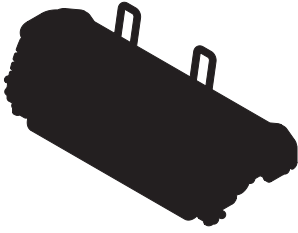
(For ordering parts)

For prevention of delivery of wrong parts, be sure to inform us of the code number and the part name.

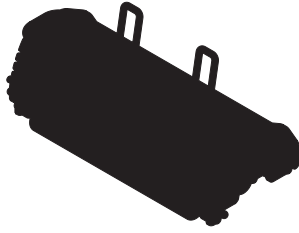
Example:	Code No.	Part Name	Qty
	LM315P-1322Z0	SPIKER COMP	3

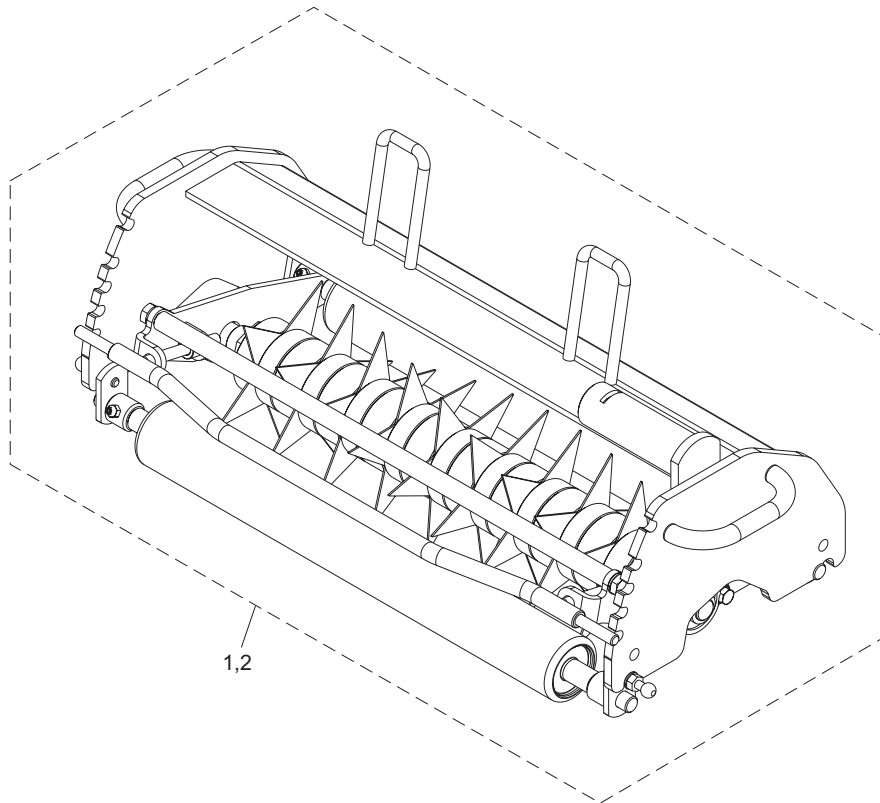
Contents

1. Spiker Unit P4



2. Spiker Unit P5



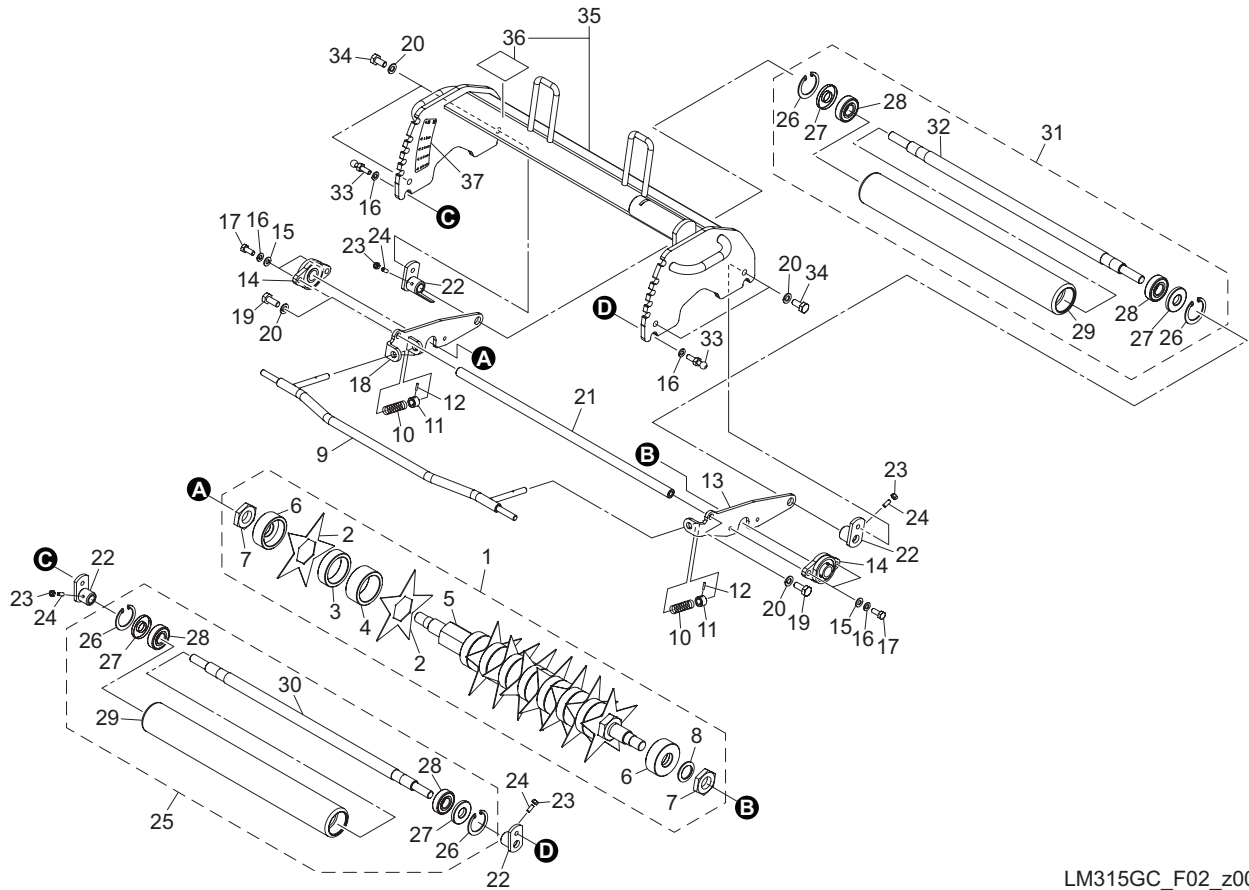


LM315GC_F01_z00

Cat No.	Code No.	Part name	Qty	Remark	SN of application
1-1	LM315P-1330Z0	SPIKER UNIT	1	FOR ONE MACHINE	
1-2	LM315P-1320Z0	SPIKER UNIT ASSY	3		

2. Spiker Unit

LM315GC

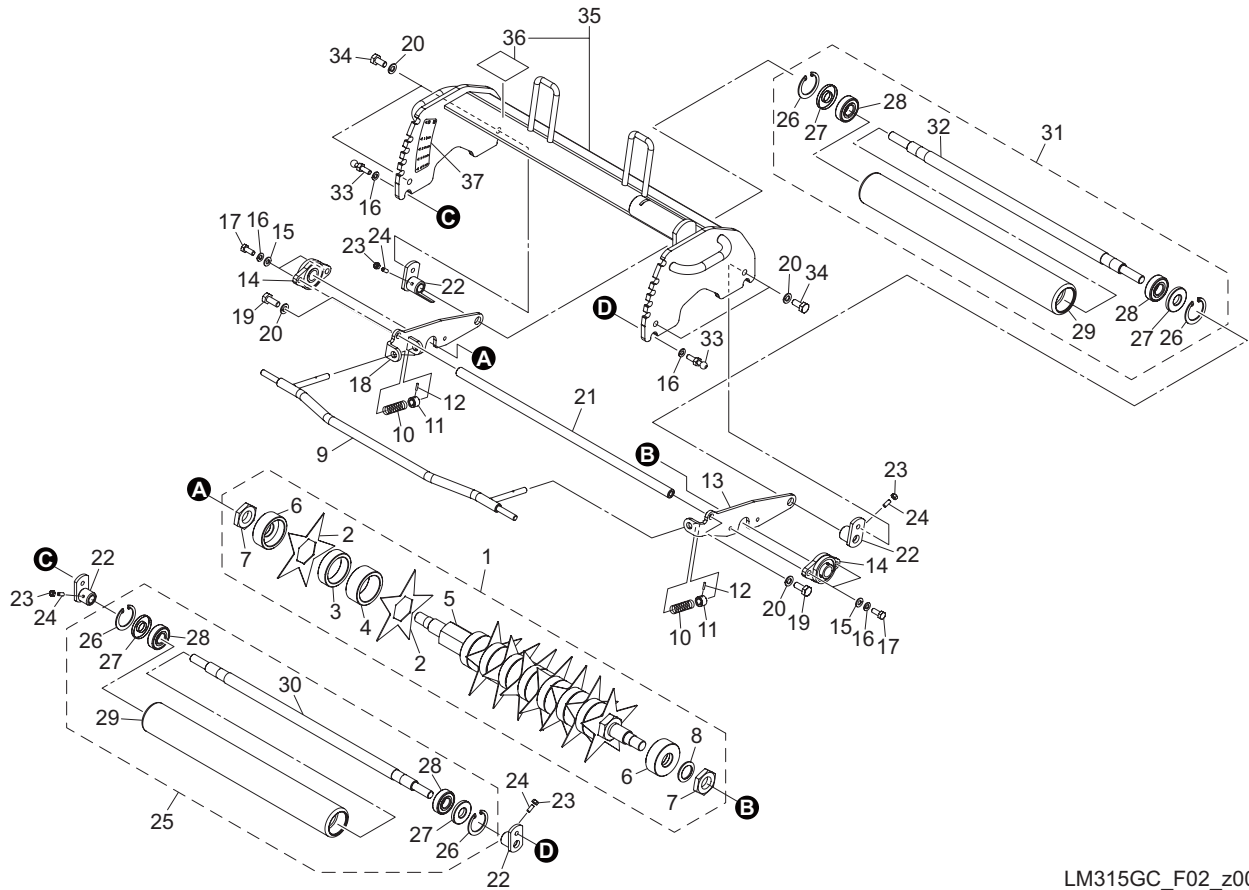


LM315GC_F02_z00

Cat No.	Code No.	Part name	Qty	Remark	SN of application
2-1	LM315P-1322Z0	SPIKER COMP	3		
2-2	LM315P-1317Z0	BLADE, SPIKE	27		
2-3	K6212003032	COLLAR, STKM 54-70-20	24		
2-4	K6212003022	COLLAR, STKM 54-70-30	24		
2-5	LM315P-1306Z2	SHAFT, SPIKER	3		
2-6	LM315P-1314Z2	RETAINER, COLLAR	6		
2-7	K0160000592	NUT, SPECIAL P1.5 M27	6		
2-8	K0214270002	WASHER, DISK SPRING L M27-2	3		
2-9	LM315P-1309ZD	LEVER, ADJUSTING DEPTH	3		
2-10	K1000000158	SPRING, COMPRESSION M2-17-41	6		
2-11	K6215000472	COLLAR, STKM 10.5-18-12 W/ HOLE	6		
2-12	K0320030251	PIN, SPRING M3-25	6		
2-13	LM315P-1302ZD	PLATE, ADJUSTING DEPTH (L)	3		
2-14	K0663004000	BEARING, BALL W/RHOMBIC UFL 004	6		
2-15	K5000080002	WASHER, M8	12		
2-16	K0200080002	WASHER, SPRING M8	18		
2-17	K0000080202	BOLT, M8-20	12		
2-18	LM315P-1303ZD	PLATE, ADJUSTING DEPTH (R)	3		
2-19	K0000100252	BOLT, M10-25	6		
2-20	K0200100002	WASHER, SPRING M10	18		
2-21	LM315P-1304ZD	STAY	3		
2-22	LM315P-1305ZD	BRACKET, ROLLER	12		
2-23	K0100060002	NUT, M6	12		
2-24	K0023060151	SETSCREW, M6-15	12		
2-25	LM315P-1324Z0	ROLLER COMP, FRONT	3		
2-26	K0402047001	RING, RETAINING R M47	12		
2-27	K0822047060	OIL SEAL, MHS A20476	12		
2-28	K0612062040	BEARING, BALL SEAL 2RD 6204	12		
2-29	LM315P-1310ZR	ROLLER	6		
2-30	LM315P-1308Z0	SHAFT, FRONT ROLLER	3		

2. Spiker Unit

LM315GC



LM315GC_F02_z00

Cat No.	Code No.	Part name	Qty	Remark	SN of application
2-31	LM315P-1323Z0	ROLLER COMP, REAR	3		
2-32	LM315P-1307Z0	SHAFT, REAR ROLLER	3		
2-33	LM315GA1841Z2	BOLT, MOUNTING MOWER	6		
2-34	K0000100202	BOLT, M10-20	12		
2-35	LM315P-1321Z0	FRAME COMP, SPIKER	3		
2-36	K4205001600	DECAL, CAUTION TO MUTILATION	3		
2-37	LM315P-1315A0	DECAL, INDICATING DEPTH	3		

MEMO

BARONESS[®]
Quality on Demand



KYOEISHA CO.,LTD.

Head Office 1-26, Miyuki-cho, Toyokawa, Tel : (0533)84-1390
Aichi-Pref. 442-8530 Japan. Fax : (0533)89-3623