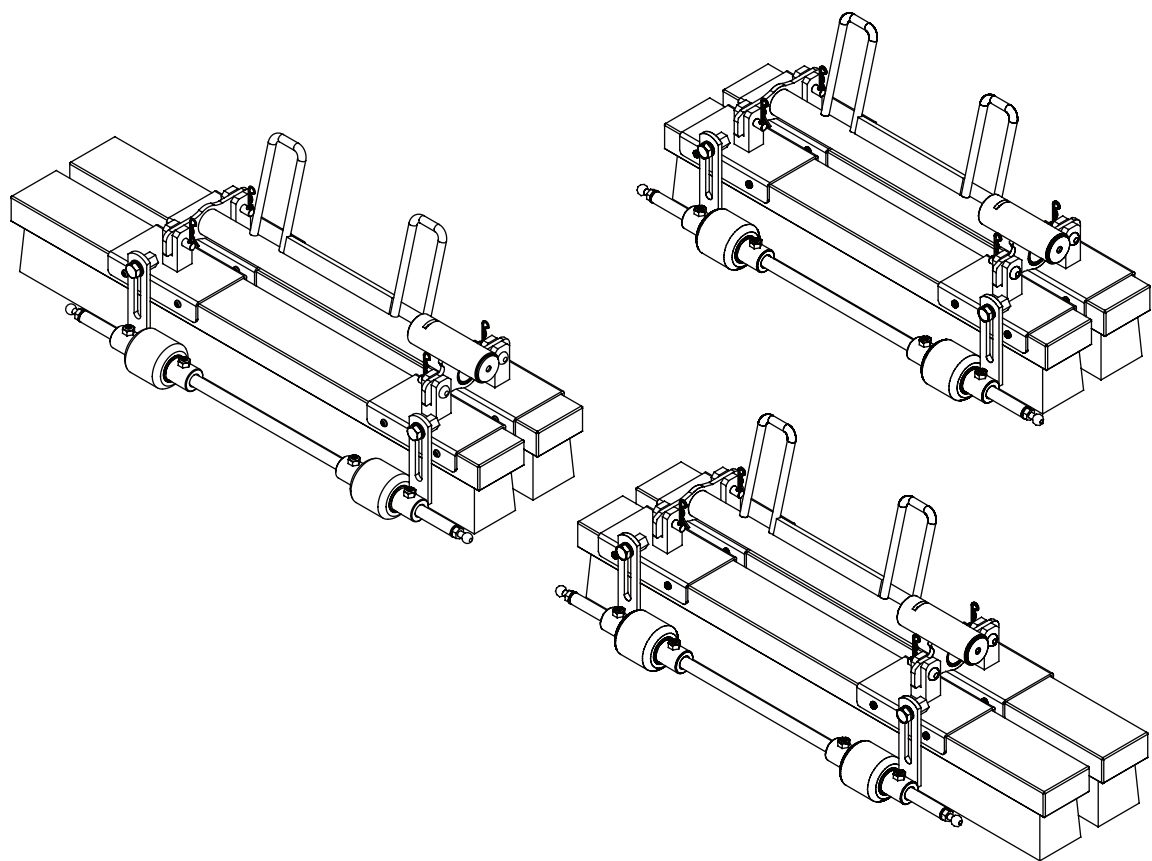


LM315GC

Push Brush Unit

Parts Catalog



BARONESS[®]

Quality on Demand

Ver.1.0

Greeting

Thank you for purchasing Baroness machine.

This machine has been shipped from the factory after comprehensive test runs and inspections. However, the optimum performance of the machine depends on how you use and maintain it, including routine inspections, adjustments, and fuel supplies before and after the operation.

We hope you will use the machine safely, and take advantage of its best performance.

Note

(For inquiry about this machine)

Since the type of machine may be changed sequentially, inform us of the type and the serial number.

The information described in this manual is subject to change without prior notice.

When replacing parts, be sure to use Baroness parts or parts designated by Kyoeisha.

Note that the Baroness product warranty may not apply to defects caused by the use of parts from other companies.

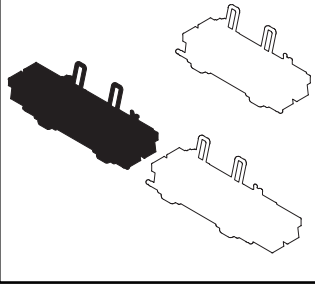
(For ordering parts)

For prevention of delivery of wrong parts, be sure to inform us of the code number and the part name.

Example:	Code No.	Part Name	Qty
	LM315GB4301Z0	BRUSH UNIT, FOR BRUSHING GREEN	1

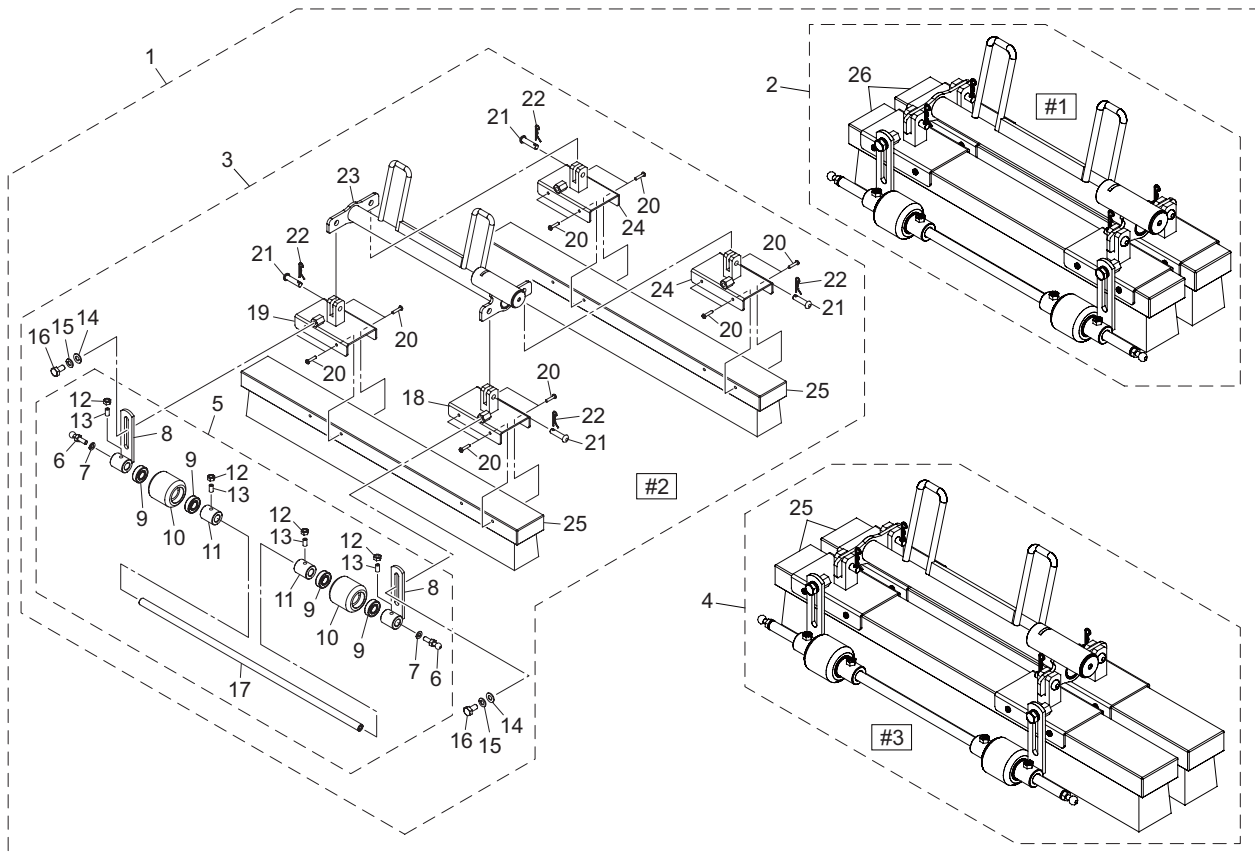
Contents

1. Push Brush Unit P4



1. Push Brush Unit

LM315GC



LM315GC_E01_z00

Cat No.	Code No.	Part name	Qty	Remark	SN of application
1-1	LM315GB4301Z0	BRUSH UNIT, FOR BRUSHING GREEN	1	FOR ONE MACHINE	
1-2	LM315GB4312Z0	BRUSH ASSY, (CENTER)	1		
1-3	LM315GB4310Z0	BRUSH ASSY, (RIGHT)	1		
1-4	LM315GB4311Z0	BRUSH ASSY, (LEFT)	1		
1-5	LM315GB4306Z0	ROLLER COMP, FRONT	3		
1-6	LM315GA1841Z2	BOLT, MOUNTING MOWER	6		
1-7	K0200080002	WASHER, SPRING M8	6		
1-8	LM315GB4308ZD	FITTING, HOISTING ROLLER	6		
1-9	K0612062020	BEARING, BALL SEAL 2RD 6202	12		
1-10	K2100000040	ROLLER, ALUMINUM 60-60	6		
1-11	K6218000722	COLLAR, TAPPED 15.1-30-35	6		
1-12	K0100080002	NUT, M8	12		
1-13	K0023080151	SETSCREW, M8-15	12		
1-14	K5000100002	WASHER, M10	6		
1-15	K0200100002	WASHER, SPRING M10	6		
1-16	K0000100252	BOLT, M10-25	6		
1-17	LM315GB4307Z2	SHAFT, ROLLER	3		
1-18	LM315GB4304ZD	RETAINER, BRUSH (L)	3		
1-19	LM315GB4305ZD	RETAINER, BRUSH (R)	3		
1-20	K0069000232	SCREW, TAPPNIG PAN-HEAD 5-25	48		
1-21	K6041100392	PIN, ROUND HEAD HT M10-39	12		
1-22	K0331000008	PIN, SNAP M10	12		
1-23	LM315GB4302ZD	FITTING, HOISTING BRUSH	3		
1-24	LM315GB4303ZD	RETAINER, BRUSH	6		
1-25	K4150000230	BRUSH 80-0.6-5	4		
1-26	K4150000240	BRUSH, 65-0.6-5	2		

MEMO

MEMO

MEMO

BARONESS[®]
Quality on Demand



KYOEISHA CO., LTD.

Head Office 1-26, Miyuki-cho, Toyokawa, Tel : (0533)84-1390
Aichi-Pref. 442-8530 Japan. Fax : (0533)89-3623