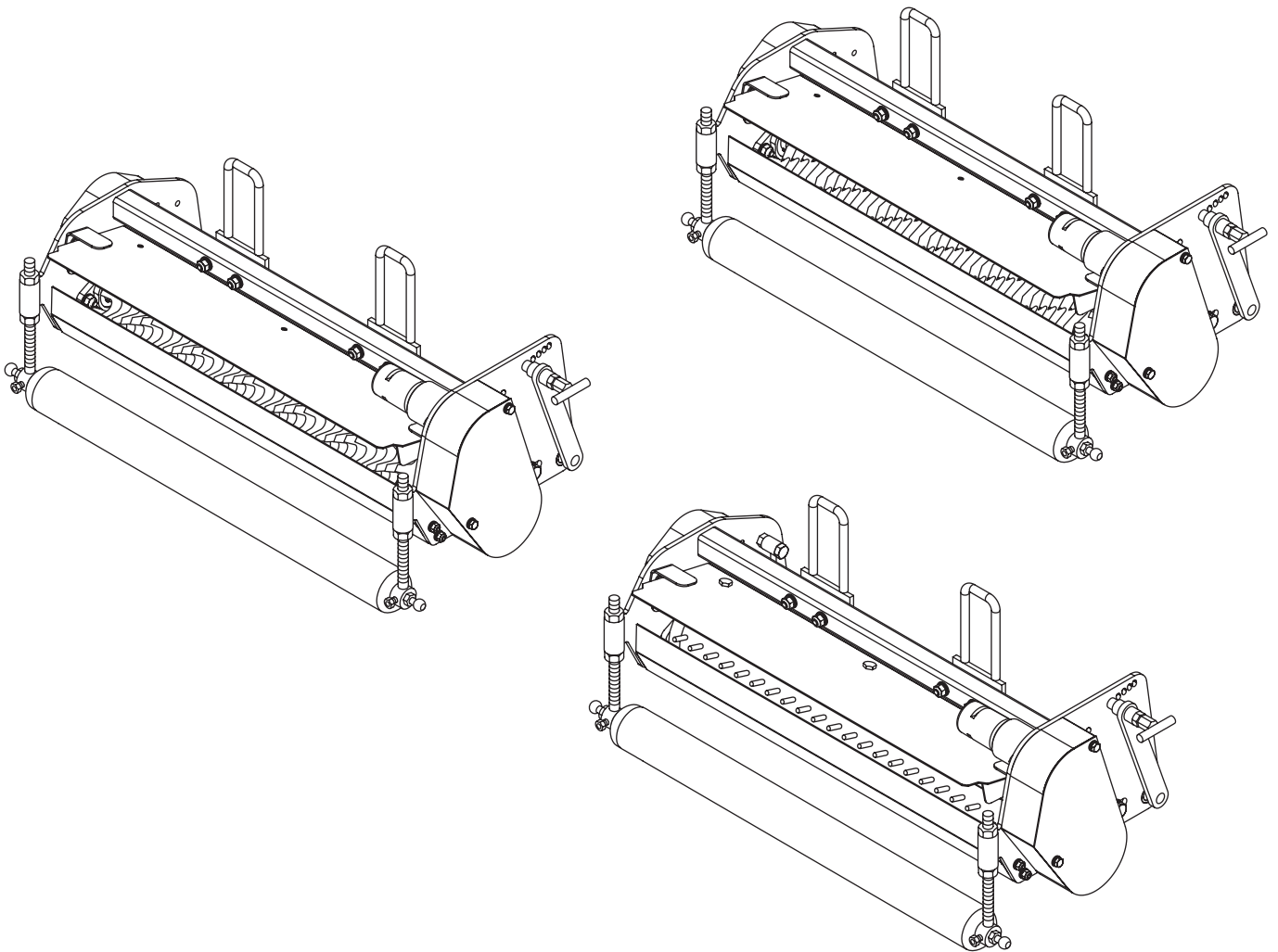


LM315GC

Thatching Reel Unit
Rotating Brush Unit

Parts Catalog



BARONESS[®]

Quality on Demand

Ver.1.0

Greeting

Thank you for purchasing Baroness machine.

This machine has been shipped from the factory after comprehensive test runs and inspections. However, the optimum performance of the machine depends on how you use and maintain it, including routine inspections, adjustments, and fuel supplies before and after the operation.

We hope you will use the machine safely, and take advantage of its best performance.

Note

(For inquiry about this machine)

Since the type of machine may be changed sequentially, inform us of the type and the serial number.

The information described in this manual is subject to change without prior notice.

When replacing parts, be sure to use Baroness parts or parts designated by Kyoeisha.

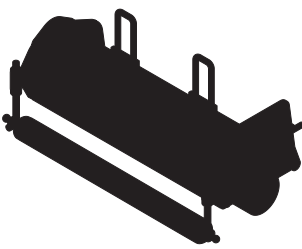
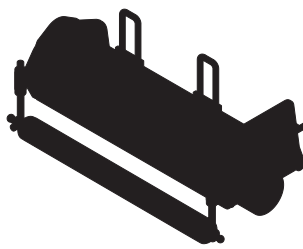
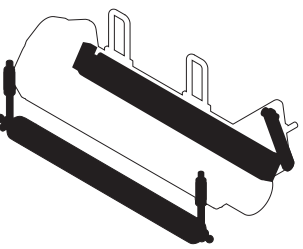
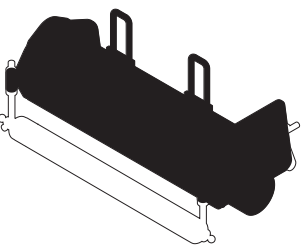
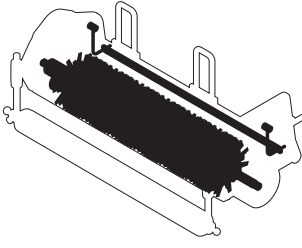
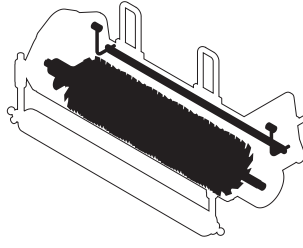
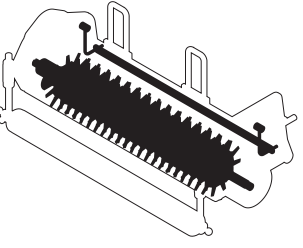
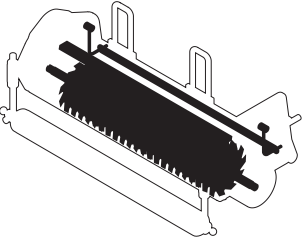
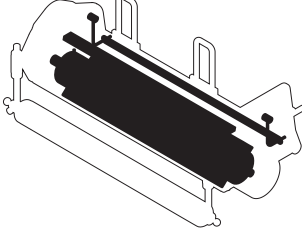
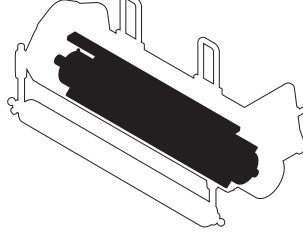
Note that the Baroness product warranty may not apply to defects caused by the use of parts from other companies.

(For ordering parts)

For prevention of delivery of wrong parts, be sure to inform us of the code number and the part name.

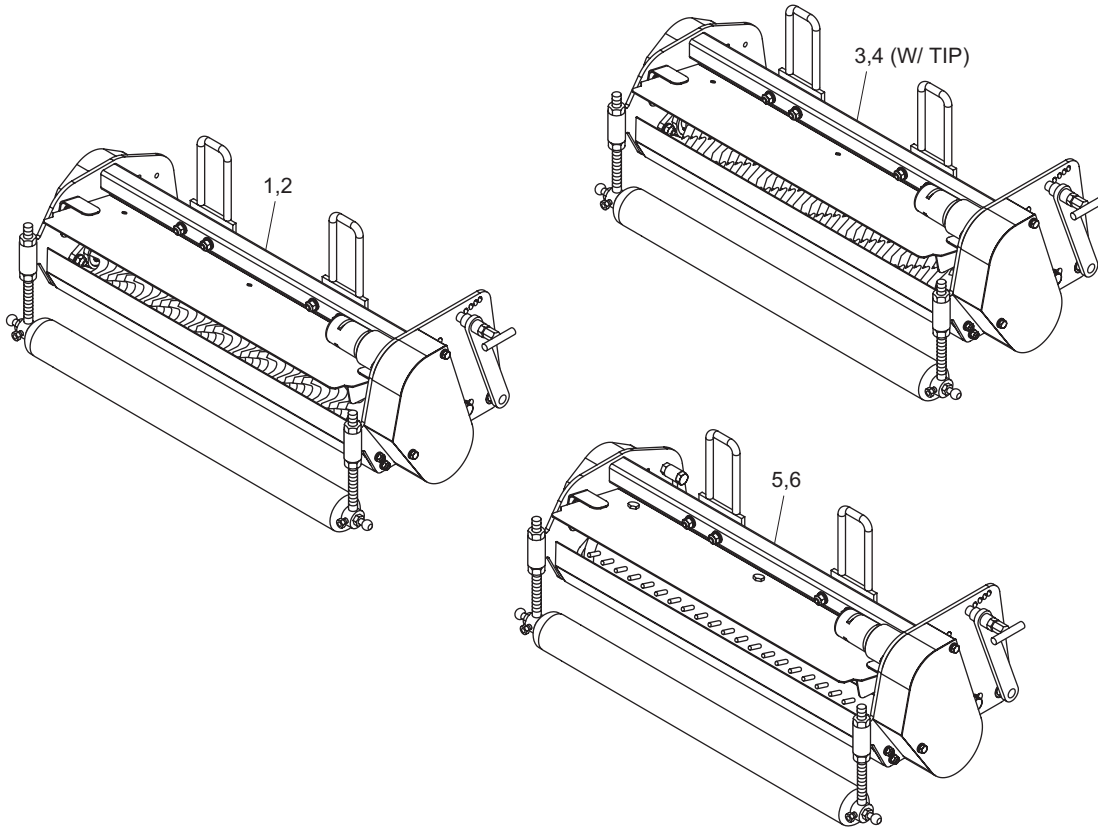
Example:	Code No.	Part Name	Qty
	LM150GA1363D0	HOUSING, ROLLER	12

Contents

<p>1. Thatching Reel Unit, Rotating Brush Unit (For Green) P4</p> 	<p>2. Thatching Reel Unit, Rotating Brush Unit (For Field) P5</p> 	<p>3. Roller section P6</p> 	<p>4. Frame section P7</p> 
<p>5. Thatching Reel A'ssy section (For Green) P9</p> 	<p>6. Thatching Reel A'ssy section (For Green, with Tip) P10</p> 	<p>7. Thatching Reel A'ssy section (For Field) P11</p> 	<p>8. Thatching Reel A'ssy section (For Field with Tip) P12</p> 
<p>9. Sweeper Brush A'ssy section (For Green) P13</p> 	<p>10. Sweeper Brush A'ssy section (For Field) P14</p> 		

1. Thatching Reel Unit, Rotating Brush Unit (For Green)

LM315GC

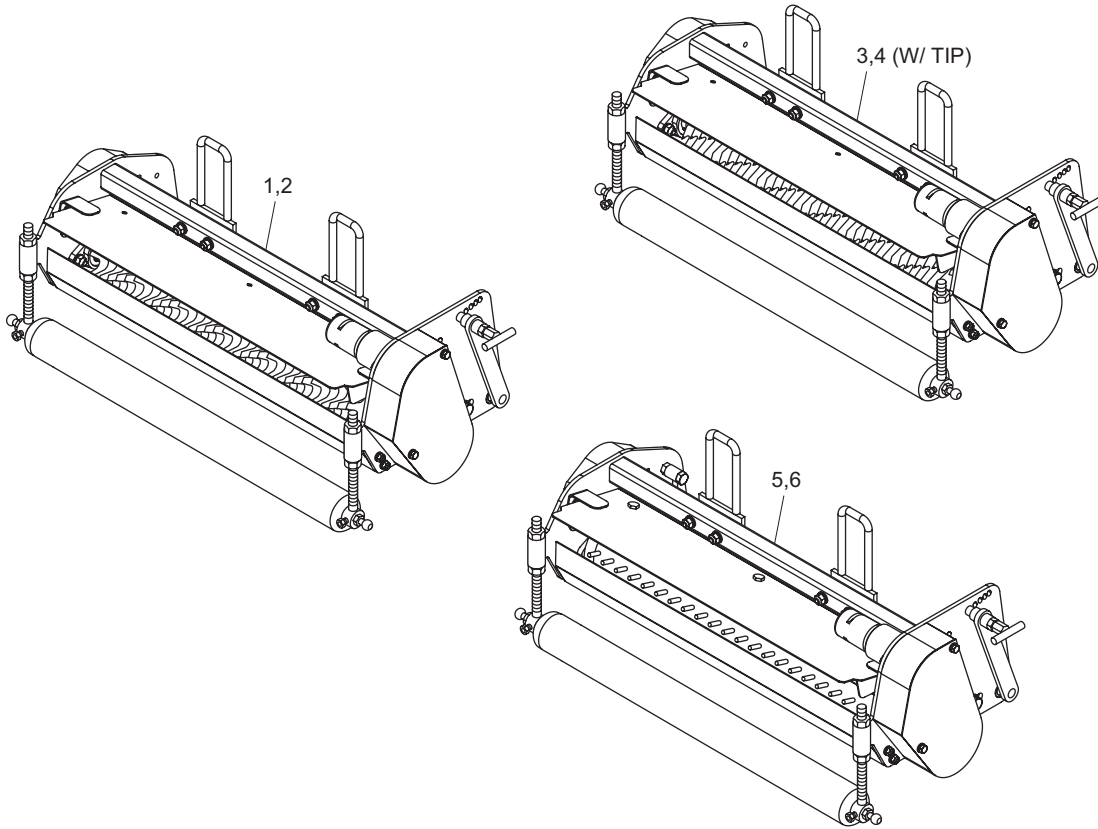


LM315GC_D01_a00

Cat No.	Code No.	Part name	Qty	Remark	SN of application
1-1	LM315VB1440A0	THATCHING UNIT	1	FOR ONE MACHINE	
1-2	LM315VB1401A0	THATCHING UNIT ASSY	3		
1-3	LM315VB1820A0	THATCHING UNIT, W/ TIP	1		
1-4	LM315VB1801A0	THATCHING UNIT ASSY, W/ TIP	3		
1-5	LM315SB1420A0	SWEEPER BRUSH UNIT	1		
1-6	LM315SB1401A0	SWEEPER BRUSH UNIT ASSY	3		

2. Thatching Reel Unit, Rotating Brush Unit (For Field)

LM315GC

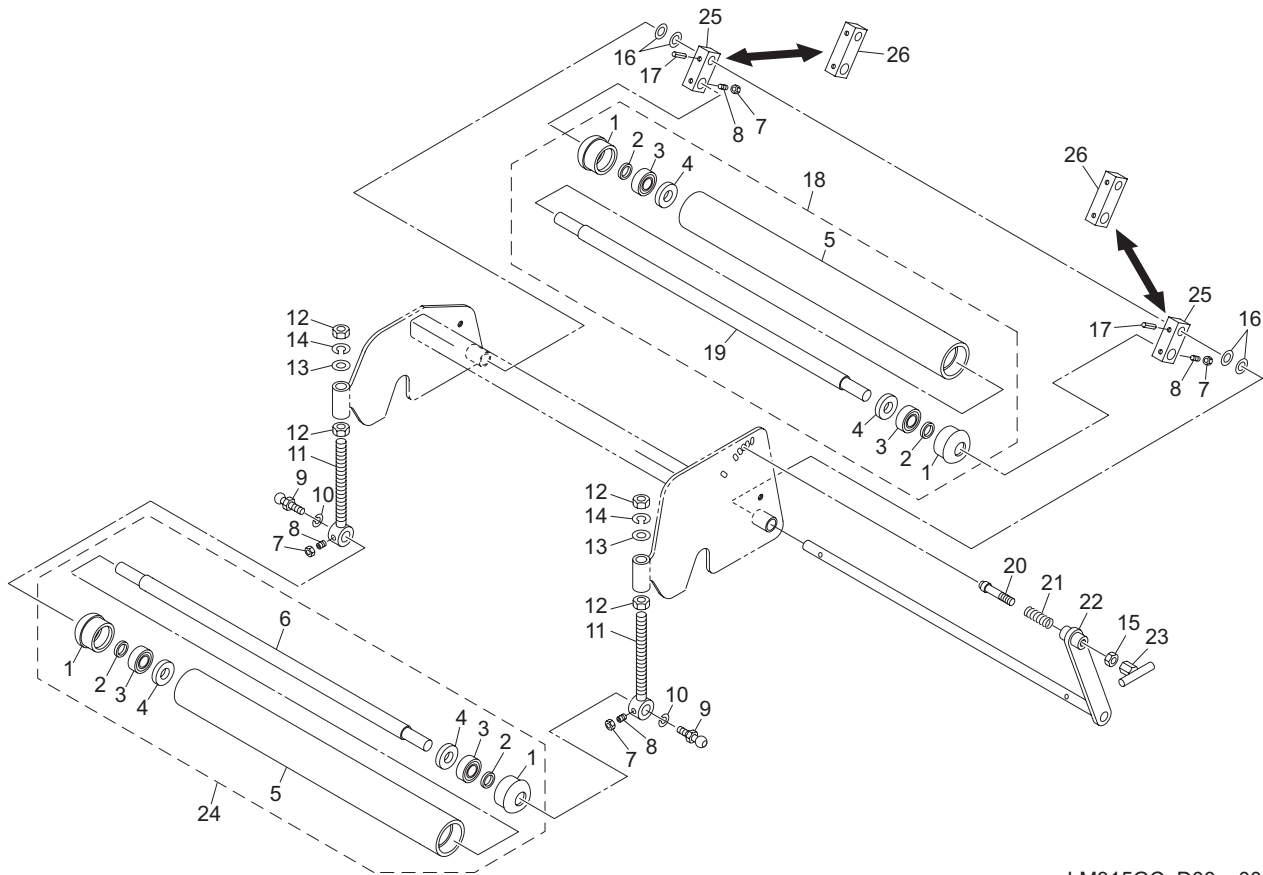


LM315GC_D02_a00

Cat No.	Code No.	Part name	Qty	Remark	SN of application
2-1	LM315VB1520A0	THATCHING UNIT, FOR FIELD USE	1	FOR ONE MACHINE	
2-2	LM315VB1501B0	THATCHING UNIT ASSY, FOR FIELD USE	3		
2-3	LM315VB1940A0	THATCHING UNIT, W/ TIP FOR FIELD USE	1		
2-4	LM315VB1901A0	THATCHING UNIT ASSY, W/ TIP FOR FIELD USE	3		
2-5	LM315SB1520A0	SWEEPER BRUSH UNIT, FOR FIELD USE	1		
2-6	LM315SB1501A0	SWEEPER BRUSH UNIT ASSY, FOR FIELD USE	3		

3. Roller section

LM315GC

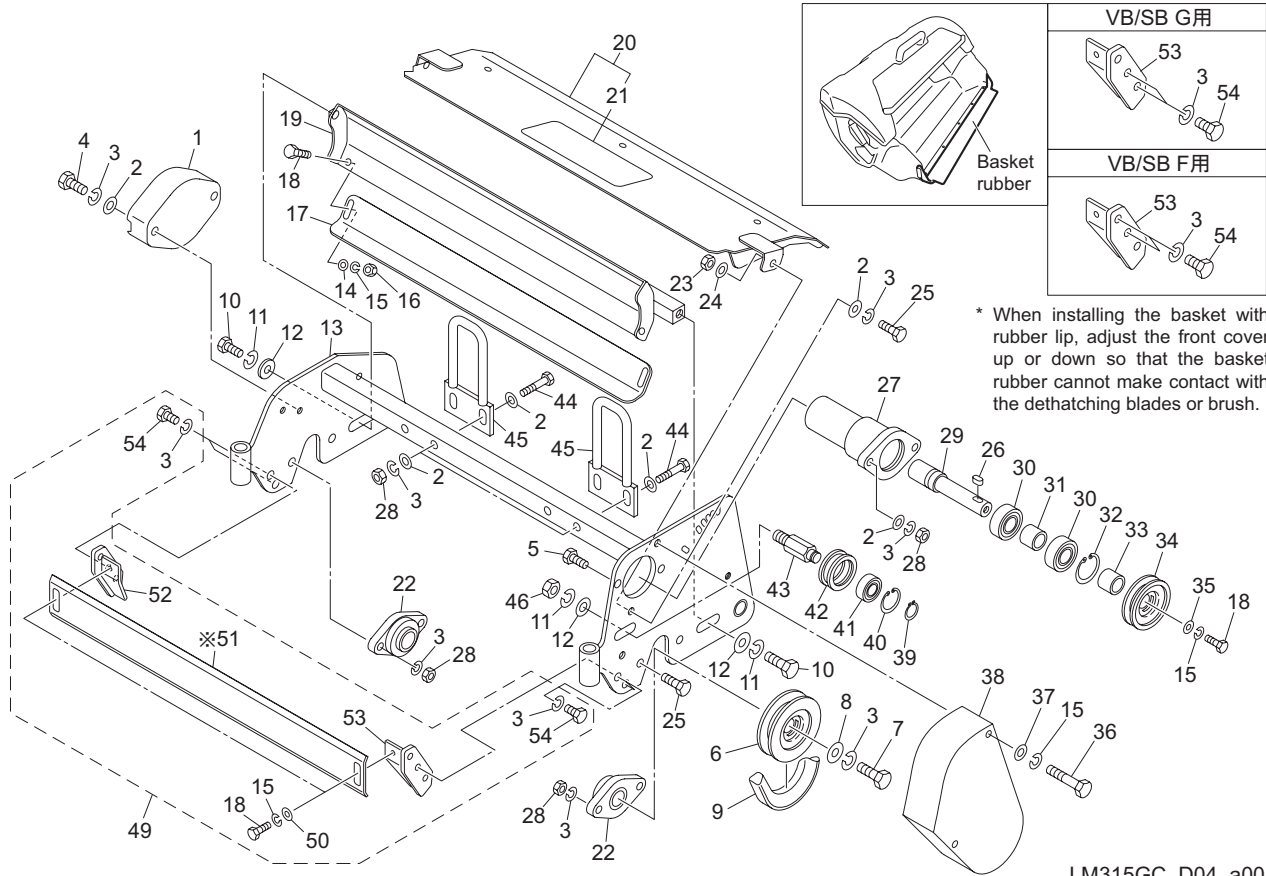


LM315GC_D03_z00

Cat No.	Code No.	Part name	Qty	Remark	SN of application
3-1	LM150GA1363D0	HOUSING, ROLLER	12		
3-2	K0801525040	OIL SEAL, MH15254	12		
3-3	K0616062020	BEARING, BALL SEAL 2NSEC3 6202	12		
3-4	K0811635090	OIL SEAL, HMS16359	12		
3-5	LM315VB1419ZD	ROLLER, 50.8-482	6		
3-6	LM315VB1418Z0	SHAFT, ROLLER (FRONT)	3		
3-7	K0100060002	NUT, M6	12		
3-8	K0023060151	SETSCREW, M6-15	12		
3-9	LM315GA1841Z2	BOLT, MOUNTING MOWER	6		
3-10	K0200080002	WASHER, SPRING M8	6		
3-11	LM315VB1409Z2	BRACKET, ROLLER	6		
3-12	K0100120002	NUT, M12	12		
3-13	K5000120002	WASHER, M12	6		
3-14	K0200120002	WASHER, SPRING M12	6		
3-15	K0100080002	NUT, M8	3		
3-16	K5011013222	WASHER, SPCC 1-13-22	12		
3-17	K0320040251	PIN, SPRING M4-25	6		
3-18	LM315VB1420Z0	ROLLER ASSY, REAR	3		
3-19	LM315VB1421Z0	SHAFT, ROLLER (REAR)	3		
3-20	LM315VB1412Z2	SHAFT	3		
3-21	K1000000668	SPRING, COMPRESSION M1.4-11.3-40	3		
3-22	LM315VB1411Z2	LEVER, ONE-TOUCH	3		
3-23	LM315VB1415Z2	NUT, LEVER	3		
3-24	LM315VB1417Z0	ROLLER ASSY, FRONT	3		
3-25	LM315VB1410Z2	BEARING, REAR ROLLER	6		
3-26	LM315SB1510Z2	BEARING, REAR ROLLER	6	FOR SWEEPER BRUSH UNIT F	

4. Frame section

LM315GC

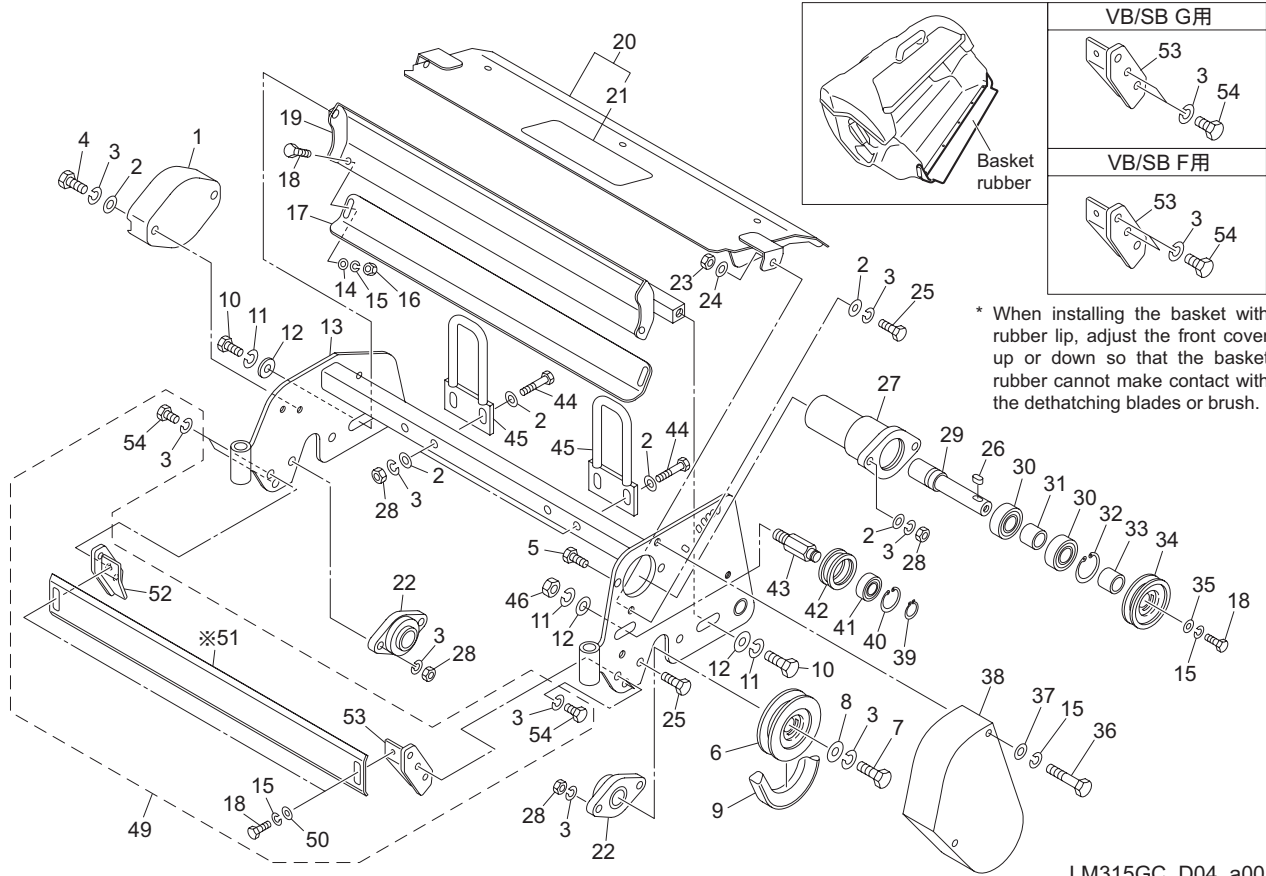


LM315GC_D04_a00

Cat No.	Code No.	Part name	Qty	Remark	SN of application
4-1	K690300017D	COVER, REEL HOUSING	3		
4-2	K5000080002	WASHER, M8	42		
4-3	K0200080002	WASHER, SPRING M8	57		
4-4	K0000080402	BOLT, M8-40	6		
4-5	K0000080302	BOLT, M8-30	6		
4-6	LM315VB1404Z2	PULLEY, LARGE	3		
4-7	K0000080202	BOLT, M8-20	3		
4-8	K5012308242	WASHER, SPCC 2.3-8-24	3		
4-9	K2322019000	BELT, V OLA19	3		
4-10	K0000100252	BOLT, M10-25	6		
4-11	K0200100002	WASHER, SPRING M10	9		
4-12	K5000100002	WASHER, M10	9		
4-13	LM315VB1402AR	FRAME	3		
4-14	K5011606202	WASHER, SPCC 1.6-6-20	6		
4-15	K0200060002	WASHER, SPRING M6	27		
4-16	K0100060002	NUT, M6	6		
4-17	LM315VB1407ZR	RECIEVER	3		
4-18	K0000060152	BOLT, M6-15	15		
4-19	LM315VB1408ZR	RECEIVER, UPPER	3		
4-20	LM315VB1451Z0	COVER COMP	3		
4-21	K4205001600	DECAL, CAUTION TO MUTILATION	3		
4-22	K0663004000	BEARING, BALL W/RHOMBIC UFL 004	6		
4-23	K0144080002	NUT, WITH F-RING, M8	6		
4-24	K0213080002	WASHER, DISK SPRING H M8-1	6		
4-25	K0000080252	BOLT, M8-25	12		
4-26	K0500404100	KEY, BOTH ROUND M4-410	3		
4-27	LM315VB1422B0	RECIEVER, FLEXIBLE WIRE	3		
4-28	K0100080002	NUT, M8	42		
4-29	LM315VB1423Z2	SHAFT, INPUT	3		
4-30	K0612062030	BEARING, BALL SEAL 2RD 6203	6		

4. Frame section

LM315GC



LM315GC_D04_a00

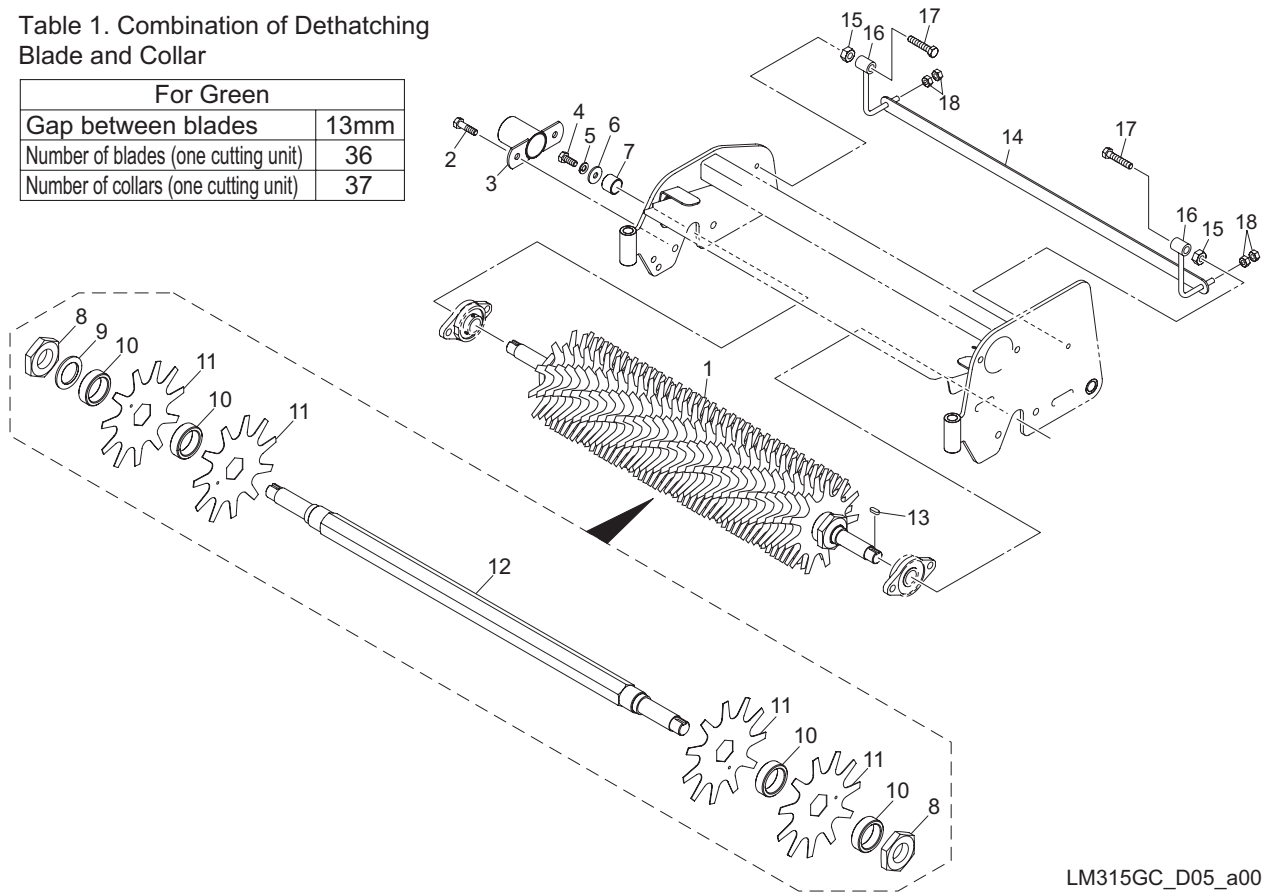
Cat No.	Code No.	Part name	Qty	Remark	SN of application
4-31	K6212003002	COLLAR, STKM M17.2-25-22	3		
4-32	K0402040001	RING, RETAINING R M40	3		
4-33	K6212002992	COLLAR, STKM M17.2-25-17	3		
4-34	LM315VB1403Z2	PULLEY, SMALL	3		
4-35	K5012306252	WASHER, SPCC 2.3-6-25	3		
4-36	K0000060702	BOLT, M6-70	6		
4-37	K5000060002	WASHER, M6	18		
4-38	LM315VB1428ZR	COVER, PULLEY	3		
4-39	K0401012001	RING, RETAINING S M12	3		
4-40	K0402032001	RING, RETAINING R M32	3		
4-41	K0612062010	BEARING, BALL SEAL 2RD 6201	3		
4-42	K2472140380	PULLEY, TENSION 1438	3		
4-43	LM315VB1416Z2	SHAFT, TENSION PULLEY	3		
4-44	K0000080502	BOLT, M8-50	12		
4-45	LM315VB1431ZR	HOOK	6		
4-46	K0100100002	NUT, M10	3		
4-47					
4-48					
4-49	LM315VB1433Z0	COVER ASSY, FRONT	3		
4-50	K5012306162	WASHER, SPCC 2.3-6-16	6		
4-51	LM315VB1434ZR	COVER, FRONT	1		
4-52	LM315VB1435ZR	BRACKET, FRONT COVER (R)	1		
4-53	LM315VB1436ZR	BRACKET, FRONT COVER (L)	1		
4-54	K0000080152	BOLT, M8-15	12		

5. Thatching Reel A'ssy section (For Green)

LM315GC

Table 1. Combination of Dethatching Blade and Collar

For Green	
Gap between blades	13mm
Number of blades (one cutting unit)	36
Number of collars (one cutting unit)	37



LM315GC_D05_a00

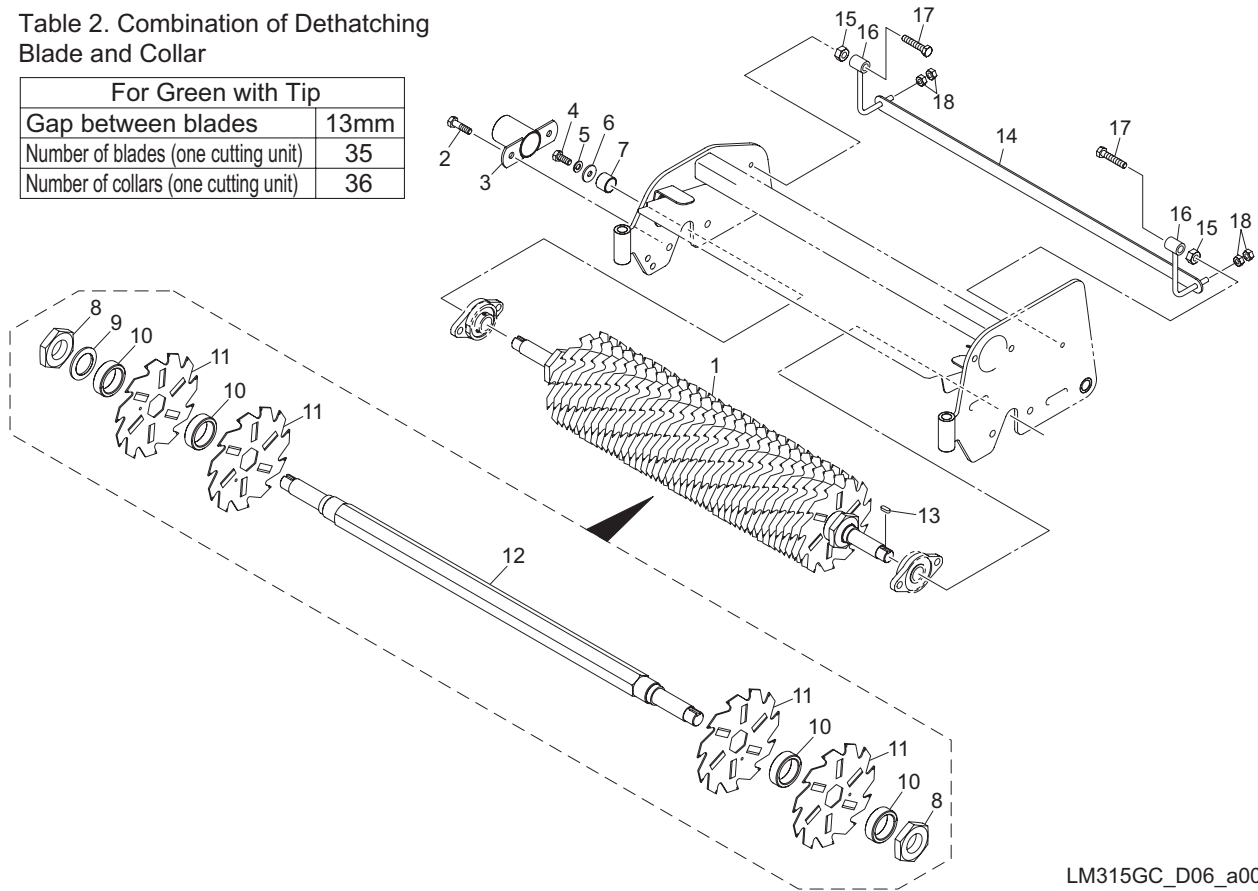
Cat No.	Code No.	Part name	Qty	Remark	SN of application
5-1	LM315VB1405A0	THATCHING REEL ASSY	3		
5-2	K0000080302	BOLT, M8-30	6		
5-3	LM315VB1429ZR	COVER, SHAFT	3		
5-4	K0000080202	BOLT, M8-20	3		
5-5	K0200080002	WASHER, SPRING M8	3		
5-6	K5012308242	WASHER, SPCC 2.3-8-24	3		
5-7	K6212002972	COLLAR, STKM 19-22.2-17	3		
5-8	K0160000592	NUT, SPECIAL P1.5 M27	6		
5-9	K0214270002	WASHER, DISK SPRING L M27-2	3		
5-10	K6212001172	COLLAR, STKM M31.7-42-13	111		
5-11	LM150V-1327Z9	BLADE, DETHATCHING 138 M/M	108		
5-12	LM315VB1406Z2	SHAFT, THATCHING REEL	3		
5-13	K0500505120	KEY, BOTH ROUND M5-512.5	3		
5-14	LM315VB1414ZD	PLATE, SCRAPER	3		
5-15	K0100080002	NUT, M8	6		
5-16	LM315VB1413Z2	BRACKET. SCRAPER	6		
5-17	K0000080352	BOLT, M8-35	6		
5-18	K0100060002	NUT, M6	12		

6. Thatching Reel A'ssy section (For Green, with Tip)

LM315GC

Table 2. Combination of Dethatching Blade and Collar

For Green with Tip	
Gap between blades	13mm
Number of blades (one cutting unit)	35
Number of collars (one cutting unit)	36



LM315GC_D06_a00

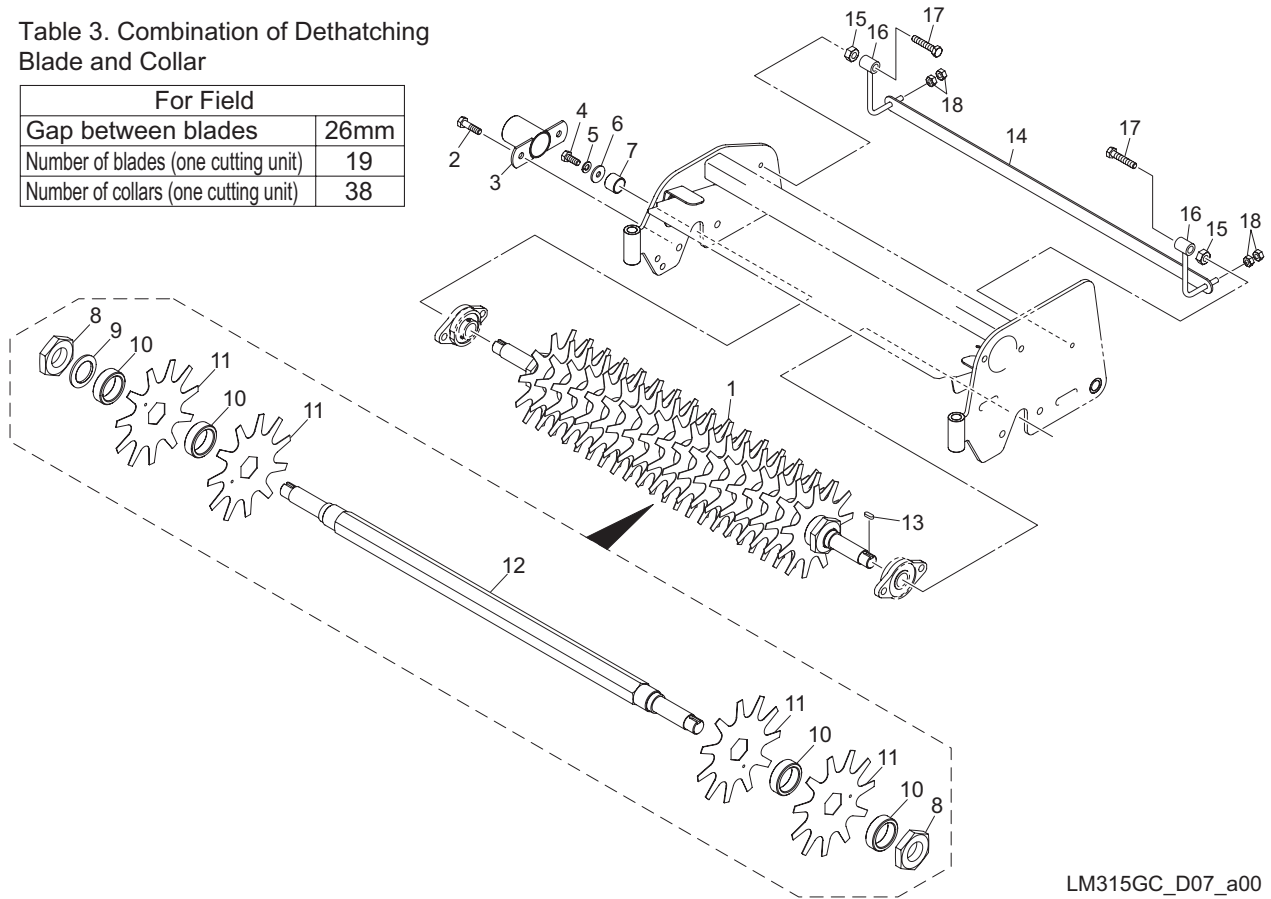
Cat No.	Code No.	Part name	Qty	Remark	SN of application
6-1	LM315VB1805Z0	THATCHING REEL ASSY, W/ TIP	3		
6-2	K0000080302	BOLT, M8-30	6		
6-3	LM315VB1429ZR	COVER, SHAFT	3		
6-4	K0000080202	BOLT, M8-20	3		
6-5	K0200080002	WASHER, SPRING M8	3		
6-6	K5012308242	WASHER, SPCC 2.3-8-24	3		
6-7	K6212002972	COLLAR, STKM 19-22.2-17	3		
6-8	K0160000592	NUT, SPECIAL P1.5 M27	6		
6-9	K0214270002	WASHER, DISK SPRING L M27-2	3		
6-10	K6212001172	COLLAR, STKM M31.7-42-13	108		
6-11	K2570000100	BLADE, TIPPED THATCHING 1.2-138	105		
6-12	LM315VB1406Z2	SHAFT, THATCHING REEL	3		
6-13	K0500505120	KEY, BOTH ROUND M5-512.5	3		
6-14	LM315VB1414ZD	PLATE, SCRAPER	3		
6-15	K0100080002	NUT, M8	6		
6-16	LM315VB1413Z2	BRACKET, SCRAPER	6		
6-17	K0000080352	BOLT, M8-35	6		
6-18	K0100060002	NUT, M6	12		

7. Thatching Reel A'ssy section (For Field)

LM315GC

Table 3. Combination of Dethatching Blade and Collar

For Field	
Gap between blades	26mm
Number of blades (one cutting unit)	19
Number of collars (one cutting unit)	38



LM315GC_D07_a00

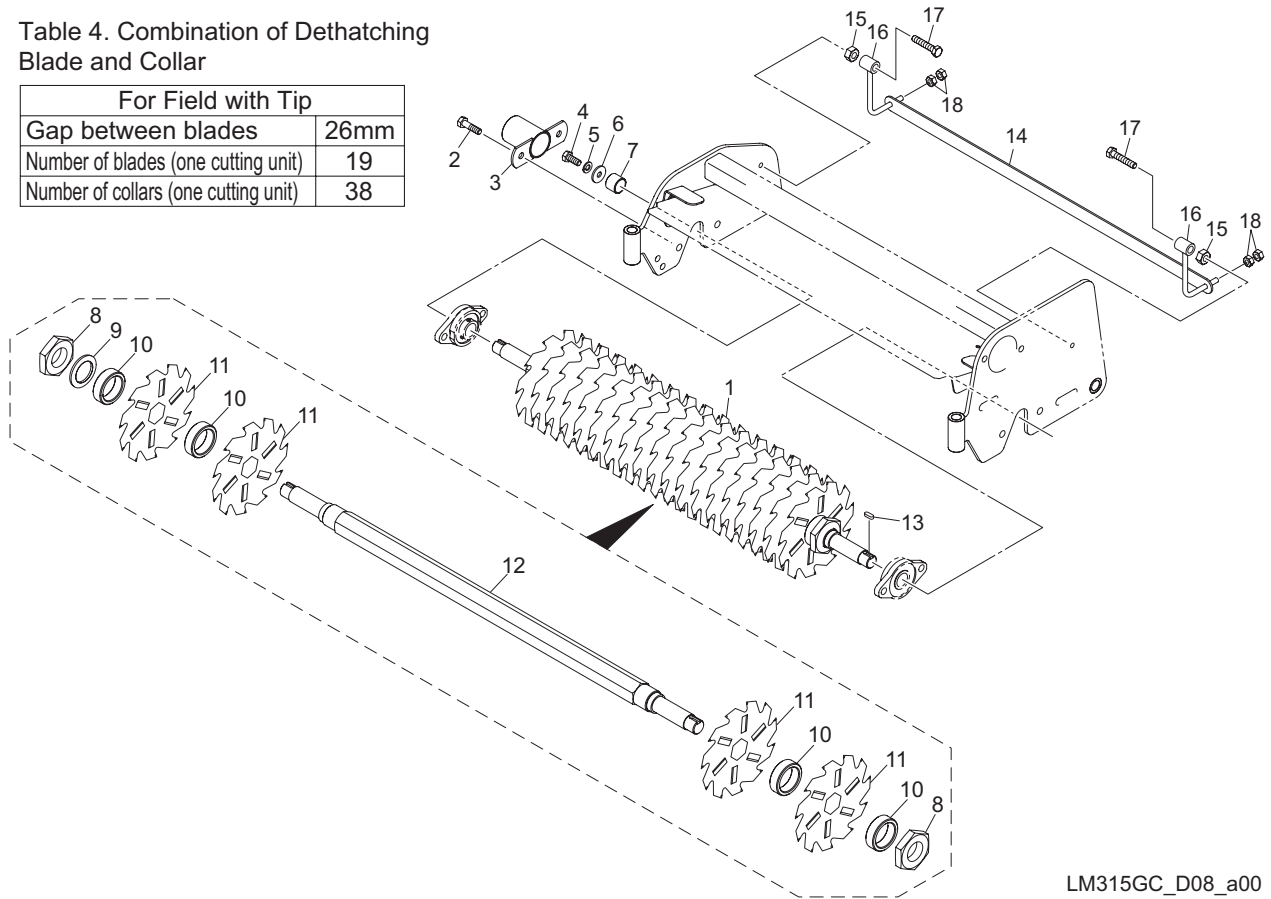
Cat No.	Code No.	Part name	Qty	Remark	SN of application
7-1	LM315VB1505A0	THATCHING REEL ASSY, FOR FIELD USE	3		
7-2	K0000080302	BOLT, M8-30	6		
7-3	LM315VB1429ZR	COVER, SHAFT	3		
7-4	K0000080202	BOLT, M8-20	3		
7-5	K0200080002	WASHER, SPRING M8	3		
7-6	K5012308242	WASHER, SPCC 2.3-8-24	3		
7-7	K6212002972	COLLAR, STKM 19-22.2-17	3		
7-8	K0160000592	NUT, SPECIAL P1.5 M27	6		
7-9	K0214270002	WASHER, DISK SPRING L M27-2	3		
7-10	K6212001172	COLLAR, STKM M31.7-42-13	114		
7-11	LM150V-1327Z9	BLADE, DETHATCHING 138 M/M	57		
7-12	LM315VB1406Z2	SHAFT, THATCHING REEL	3		
7-13	K0500505120	KEY, BOTH ROUND M5-512.5	3		
7-14	LM315VB1414ZD	PLATE, SCRAPER	3		
7-15	K0100080002	NUT, M8	6		
7-16	LM315VB1413Z2	BRACKET. SCRAPER	6		
7-17	K0000080352	BOLT, M8-35	6		
7-18	K0100060002	NUT, M6	12		

8. Thatching Reel A'ssy section (For Field, with Tip)

LM315GC

Table 4. Combination of Dethatching Blade and Collar

For Field with Tip	
Gap between blades	26mm
Number of blades (one cutting unit)	19
Number of collars (one cutting unit)	38

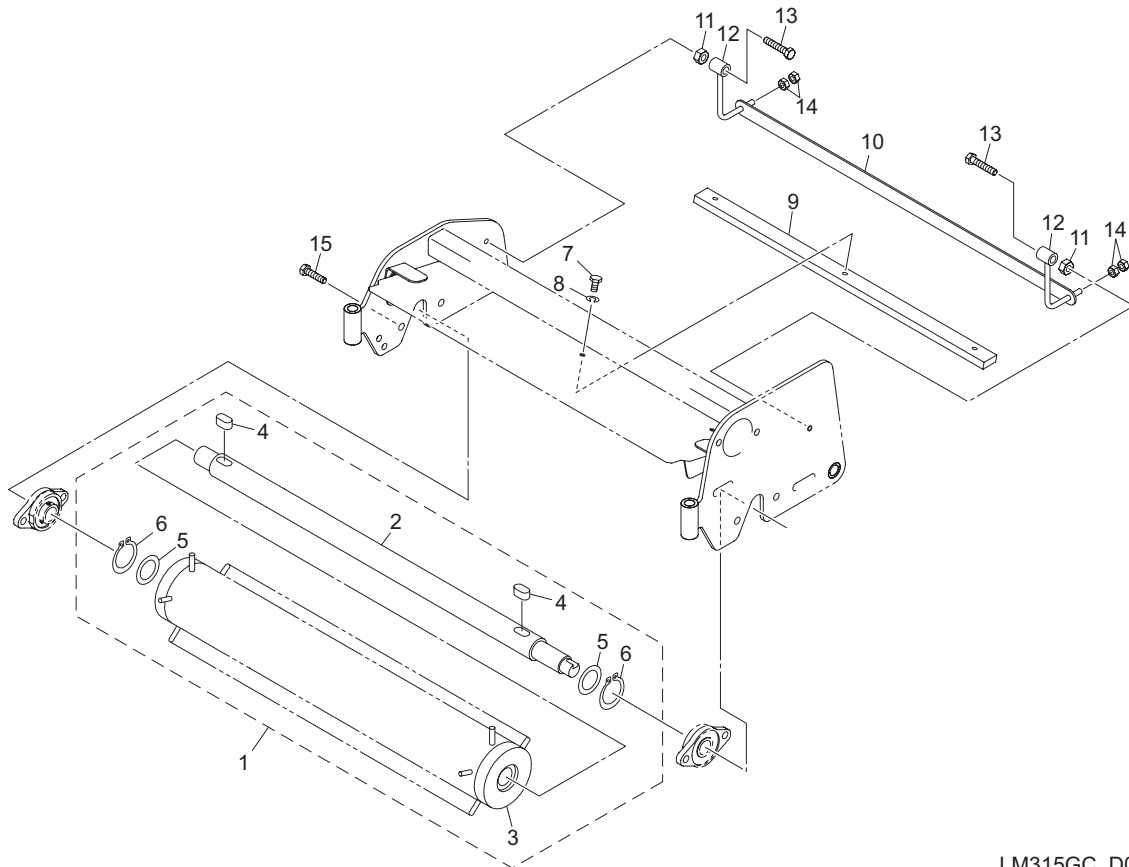


LM315GC_D08_a00

Cat No.	Code No.	Part name	Qty	Remark	SN of application
8-1	LM315VB1902Z0	THATCHING REEL ASSY, W/ TIP FOR FIELD USE	3		
8-2	K0000080302	BOLT, M8-30	6		
8-3	LM315VB1429ZR	COVER, SHAFT	3		
8-4	K0000080202	BOLT, M8-20	3		
8-5	K0200080002	WASHER, SPRING M8	3		
8-6	K5012308242	WASHER, SPCC 2.3-8-24	3		
8-7	K6212002972	COLLAR, STKM 19-22.2-17	3		
8-8	K0160000592	NUT, SPECIAL P1.5 M27	6		
8-9	K0214270002	WASHER, DISK SPRING L M27-2	3		
8-10	K6212001172	COLLAR, STKM M31.7-42-13	114		
8-11	K2570000100	BLADE, TIPPED THATCHING 1.2-138	57		
8-12	LM315VB1406Z2	SHAFT, THATCHING REEL	3		
8-13	K0500505120	KEY, BOTH ROUND M5-512.5	3		
8-14	LM315VB1414ZD	PLATE, SCRAPER	3		
8-15	K0100080002	NUT, M8	6		
8-16	LM315VB1413Z2	BRACKET. SCRAPER	6		
8-17	K0000080352	BOLT, M8-35	6		
8-18	K0100060002	NUT, M6	12		

9. Sweeper Brush A'ssy section (For Green)

LM315GC

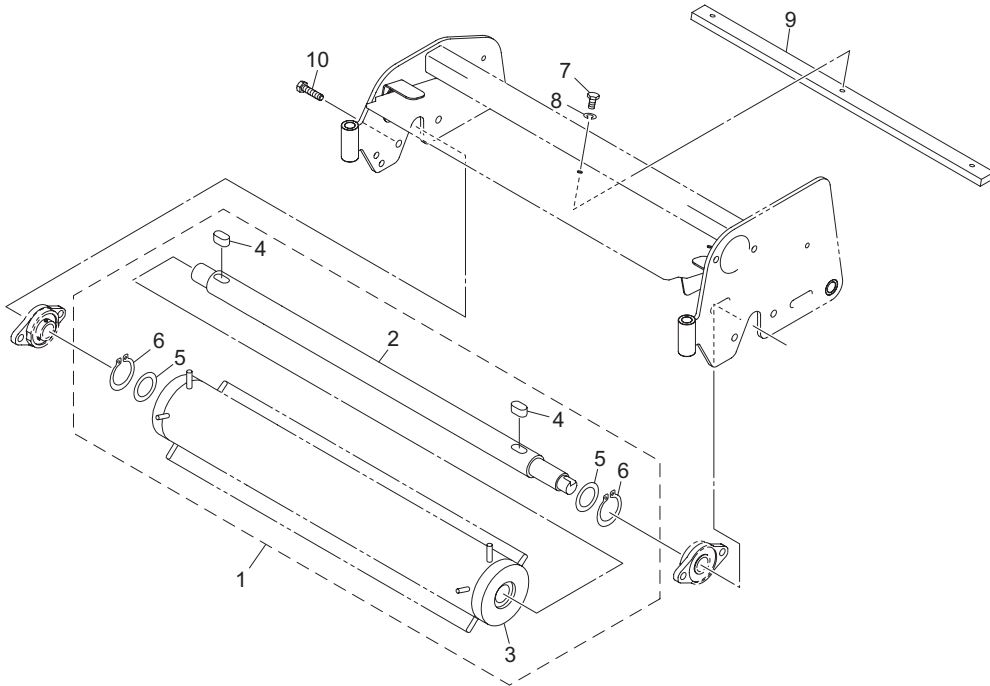


LM315GC_D09_z00

Cat No.	Code No.	Part name	Qty	Remark	SN of application
9-1	LM315SB1405Z0	BRUSH ASSY , SWEEPER	3		
9-2	LM315SB1406A2	SHAFT, BRUSH	3		
9-3	K4150000030	BRUSH COMP, 55-135	3		
9-4	K0500505160	KEY, BOTH ROUND M5-516	6		
9-5	K5051022300	WASHER, C5191P 1-22-30	6		
9-6	K0401020001	RING, RETAINING S M20	6		
9-7	K0000060102	BOLT, M6-10	9		
9-8	K0200060002	WASHER, SPRING M6	9		
9-9	LM315SB1407Z2	PLATE, RECTIFICATION 540	3		
9-10	LM315VB1414ZD	PLATE, SCRAPER	3		
9-11	K0100080002	NUT, M8	6		
9-12	LM315VB1413Z2	BRACKET. SCRAPER	6		
9-13	K0000080352	BOLT, M8-35	6		
9-14	K0100060002	NUT, M6	12		
9-15	K0000080252	BOLT, M8-25	6		

10. Sweeper Brush A'ssy section (For Field)

LM315GC



LM315GC_D10_z00

Cat No.	Code No.	Part name	Qty	Remark	SN of application
10-1	LM315SB1405Z0	BRUSH ASSY , SWEEPER	3		
10-2	LM315SB1406A2	SHAFT, BRUSH	3		
10-3	K4150000030	BRUSH COMP, 55-135	3		
10-4	K0500505160	KEY, BOTH ROUND M5-516	6		
10-5	K5051022300	WASHER, C5191P 1-22-30	6		
10-6	K0401020001	RING, RETAINING S M20	6		
10-7	K0000060102	BOLT, M6-10	9		
10-8	K0200060002	WASHER, SPRING M6	9		
10-9	LM315SB1407Z2	PLATE, RECTIFICATION 540	3		
10-10	K0000080252	BOLT, M8-25	6		

MEMO

BARONESS[®]
Quality on Demand



KYOEISHA CO.,LTD.

Head Office 1-26, Miyuki-cho, Toyokawa, Tel : (0533)84-1390
Aichi-Pref. 442-8530 Japan. Fax : (0533)89-3623