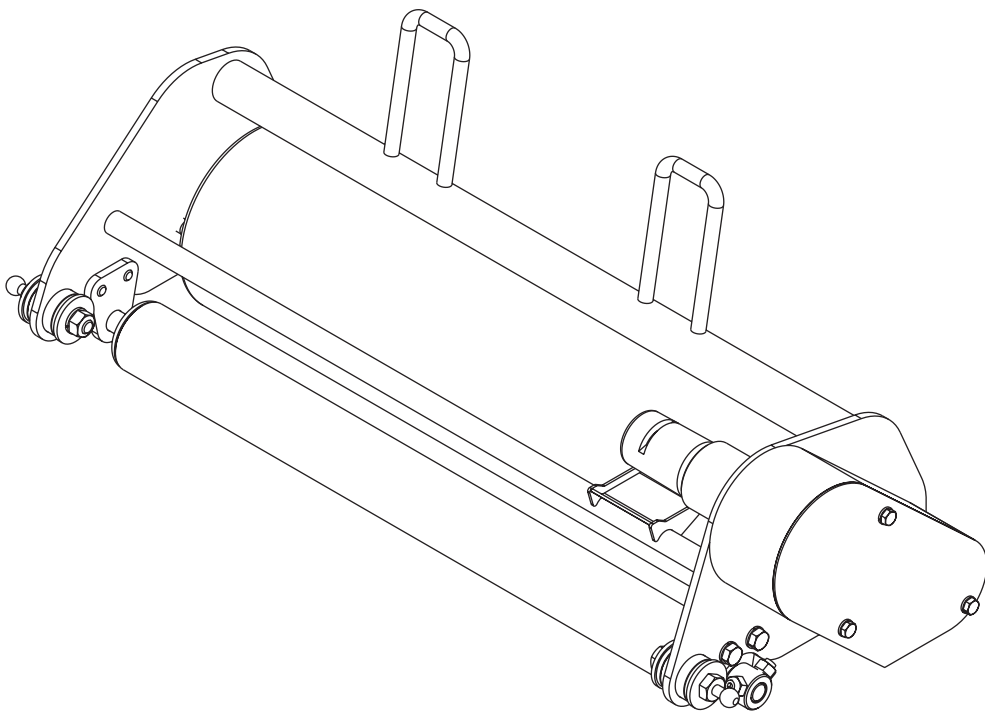


LM315GC

Vibration Roller Unit

Parts Catalog



BARONESS[®]

Quality on Demand

Ver.1.0

Greeting

Thank you for purchasing Baroness machine.

This machine has been shipped from the factory after comprehensive test runs and inspections. However, the optimum performance of the machine depends on how you use and maintain it, including routine inspections, adjustments, and fuel supplies before and after the operation.

We hope you will use the machine safely, and take advantage of its best performance.

Note

(For inquiry about this machine)

Since the type of machine may be changed sequentially, inform us of the type and the serial number.

The information described in this manual is subject to change without prior notice.

When replacing parts, be sure to use Baroness parts or parts designated by Kyo-eisha.

Note that the Baroness product warranty may not apply to defects caused by the use of parts from other companies.

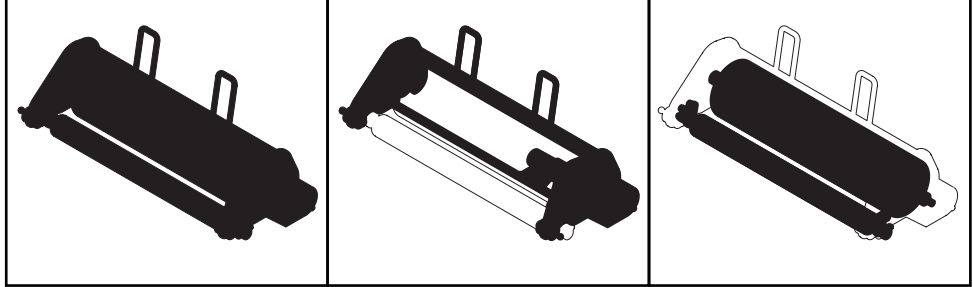
(For ordering parts)

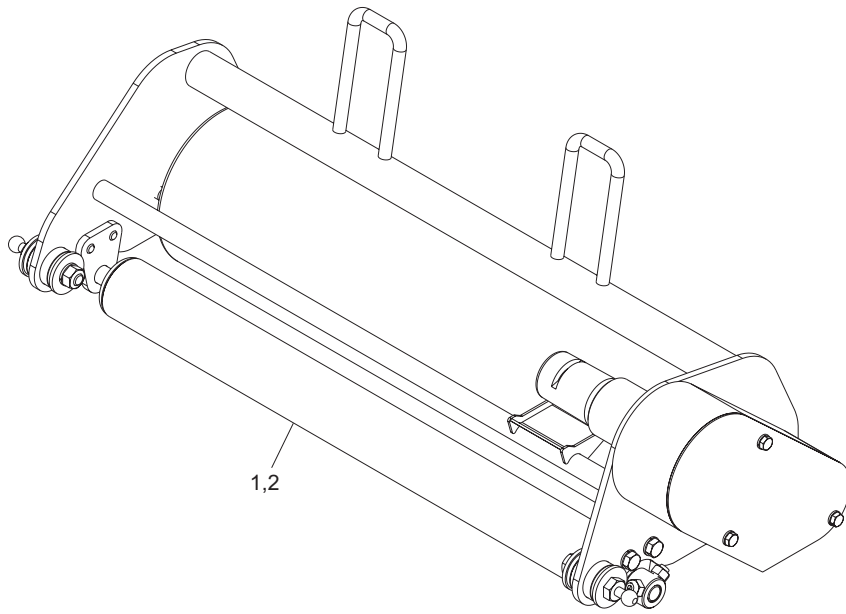
For prevention of delivery of wrong parts, be sure to inform us of the code number and the part name.

Example:	Code No.	Part Name	Qty
	LM315RA1307Z0	BOLT, MOUNTING MOWER	6

Contents

1. Vibration Roller UnitP4	2. Frame section.....P5	3. Roller section.....P7
----------------------------------	-------------------------	--------------------------



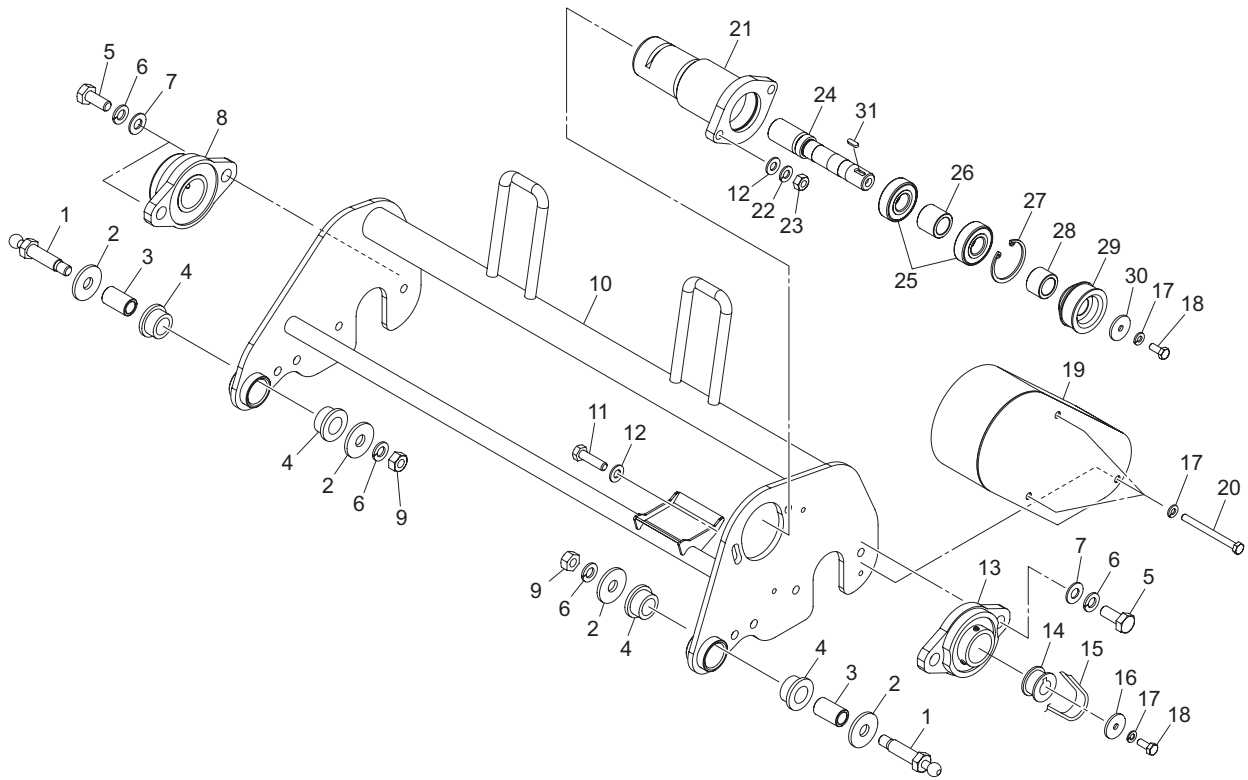


LM315GC_C01_z00

Cat No.	Code No.	Part name	Qty	Remark	SN of application
1-1	LM315RA1340Z0	HYBRID ROLLER UNIT	1	FOR ONE MACHINE	
1-2	LM315RA1330B0	ROLLER ASSY, HYBRID	3		

2. Frame section

LM315GC

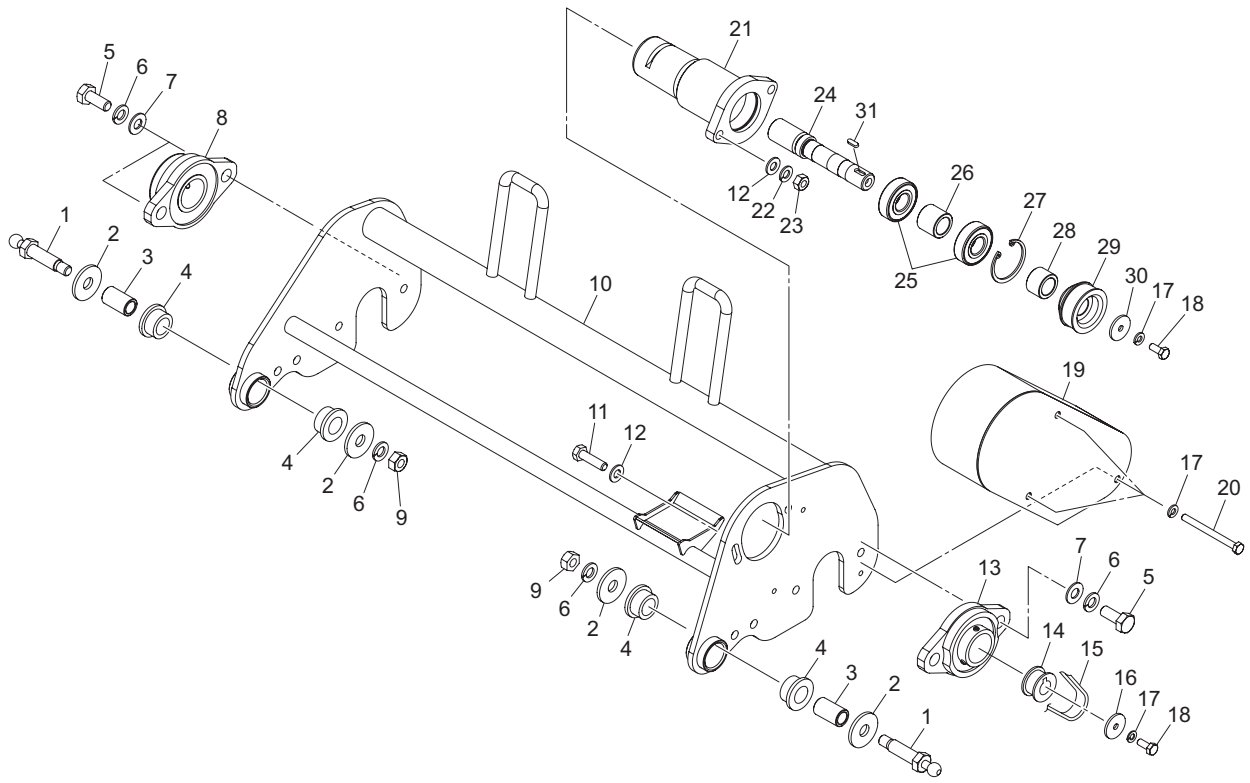


LM315GC_C02_z00

Cat No.	Code No.	Part name	Qty	Remark	SN of application
2-1	LM315RA1307Z0	BOLT, MOUNTING MOWER	6		
2-2	K5073212352	WASHER, SPHC 3.2-12-35	12		
2-3	LM315RA1308Z0	COLLAR	6		
2-4	K4031000020	RUBBER, ROUND FOR HANDLE 32	12		
2-5	K0000100252	BOLT, M10-25	12		
2-6	K0200100002	WASHER, SPRING M10	18		
2-7	K5000100002	WASHER, M10	12		
2-8	K0664006D00	BEARING, BALL W/RHOMBIC UFLD 006	3		
2-9	K0100100002	NUT, M10	6		
2-10	LM315RA1303AD	FRAME	3		
2-11	K0000080302	BOLT, M8-30	6		
2-12	K5000080002	WASHER, M8	12		
2-13	K0663006000	BEARING, BALL W/RHOMBIC UFL 006	3		
2-14	LM315RA1310Z2	Small pulley	3		
2-15	LM315R-1317Z0	BELT, FLEXSTAR 10-FL-355	3		
2-16	K5012306202	WASHER, SPCC 2.3-6-20	3		
2-17	K0200060002	WASHER, SPRING M6	15		
2-18	K0000060152	BOLT, M6-15	6		
2-19	LM315RA1316ZD	COVER	3		
2-20	K0000060702	BOLT, M6-70	9		
2-21	LM315VB1422B0	RECIEVER, FLEXIBLE WIRE	3		
2-22	K0200080002	WASHER, SPRING M8	6		
2-23	K0100080002	NUT, M8	6		
2-24	LM315VB1423Z2	SHAFT, INPUT	3		
2-25	K0612062030	BEARING, BALL SEAL 2RD 6203	6		
2-26	K6212003002	COLLAR, STKM M17.2-25-22	3		
2-27	K0402040001	RING, RETAINING R M40	3		
2-28	K6212002992	COLLAR, STKM M17.2-25-17	3		
2-29	LM315RA1311Z2	PULLEY, LARGE	3		
2-30	K5012306252	WASHER, SPCC 2.3-6-25	3		

2. Frame section

LM315GC

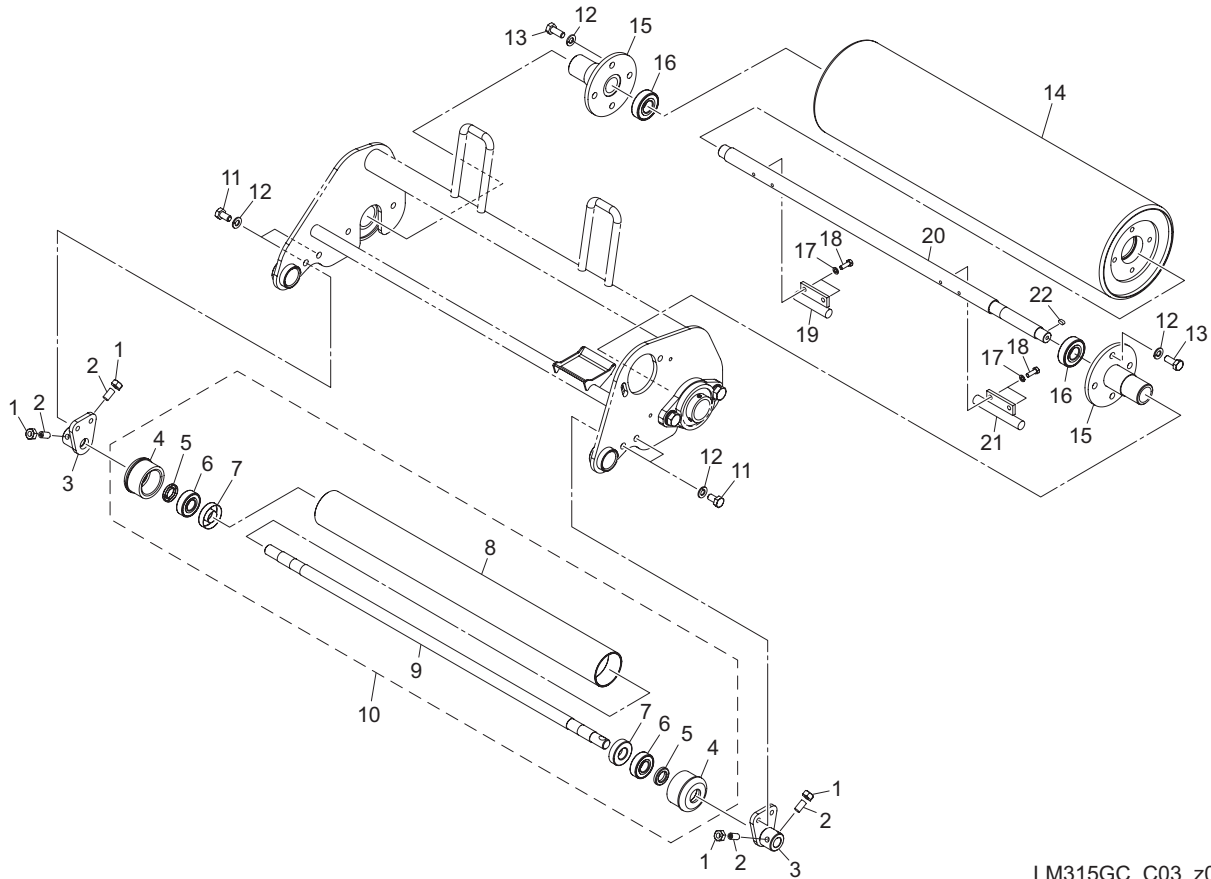


LM315GC_C02_z00

Cat No.	Code No.	Part name	Qty	Remark	SN of application
2-31	K0500404100	KEY, BOTH ROUND M4-410	3		

3. Roller section

LM315GC



LM315GC_C03_z00

Cat No.	Code No.	Part name	Qty	Remark	SN of application
3-1	K0100080002	NUT, M8	12		
3-2	K0023080151	SETSCREW, M8-15	12		
3-3	LM315RA1324ZD	BRACKET, FRONT ROLLER	6		
3-4	LM150GA1363D0	HOUSING, ROLLER	6		
3-5	K0801525040	OIL SEAL, MH15254	6		
3-6	K0616062020	BEARING, BALL SEAL 2NSEC3 6202	6		
3-7	K0811635090	OIL SEAL, HMS16359	6		
3-8	LM315RA1320ZD	ROLLER, 50.8-528	3		
3-9	LM315RA1325Z0	SHAFT, FRONT ROLLER	3		
3-10	LM315RA1323A0	ROLLER COMP, FRONT	3		
3-11	K0000080152	BOLT, M8-15	12		
3-12	K0200080002	WASHER, SPRING M8	36		
3-13	K0000080202	BOLT, M8-20	24		
3-14	LM315R-1301ZD	ROLLER, G	3		
3-15	LM315RA1302AD	Roller support shaft	6		
3-16	K0616062030	BEARING, BALL SEAL 2NSEC3 6203	6		
3-17	K0200050002	WASHER, SPRING M5	12		
3-18	K0000050152	BOLT, M5-15	12		
3-19	LM315RA1319ZD	WEIGHT, 60	3		
3-20	LM315RA1309Z0	SHAFT, OSCILLATING	3		
3-21	LM315RA1318ZD	WEIGHT, 85	3		
3-22	K0500404100	KEY, BOTH ROUND M4-410	3		
3-23	K2955000000	ADHESIVE, THREE BOND 1322	15g		

BARONESS[®]
Quality on Demand



KYOEISHA CO.,LTD.

Head Office 1-26, Miyuki-cho, Toyokawa, Tel : (0533)84-1390
Aichi-Pref. 442-8530 Japan. Fax : (0533)89-3623