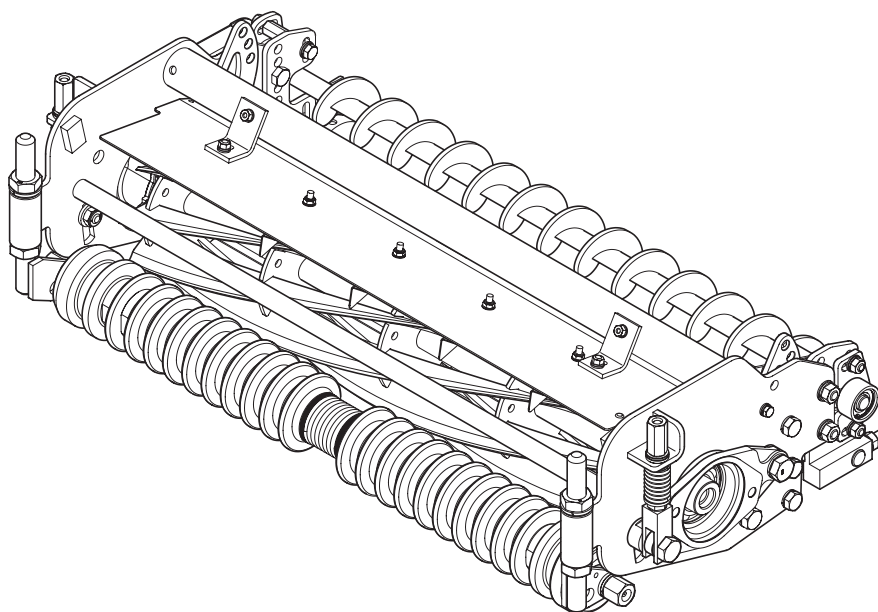


LS62·LS66

Standard Mower Unit

Parts catalog



BARONESS
Quality on Demand

Serial No. LS62 : 10231- • LS66 : 11252-

Ver.1.5

Greeting

Thank you for purchasing Baroness machine.

This machine has been shipped from the factory after comprehensive test runs and inspections. However, the optimum performance of the machine depends on how you use and maintain it, including routine inspections, adjustments, and fuel supplies before and after the operation.

We hope you will use the machine safely, and take advantage of its best performance.

Note

(For inquiry about this machine)

Since the type of machine may be changed sequentially, inform us of the type and the serial number.

The information described in this manual is subject to change without prior notice.

When replacing parts, be sure to use Baroness parts or parts designated by Kyo-eisha.

Note that the Baroness product warranty may not apply to defects caused by the use of parts from other companies.

(For ordering parts)

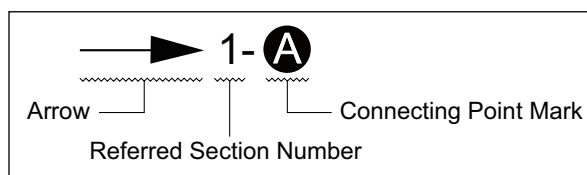
For prevention of delivery of wrong parts, be sure to inform us of the code number and the part name.

Example:	Code No.	Part Name	Qty
	K0200100002	WASHER, SPRING M10	8

<Indication of the connecting point shown on the other page>

(Example and description)

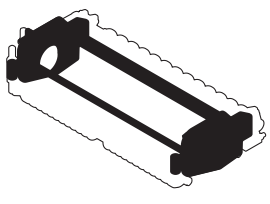
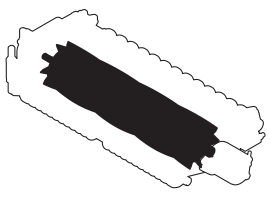
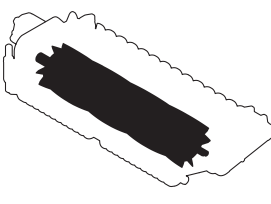
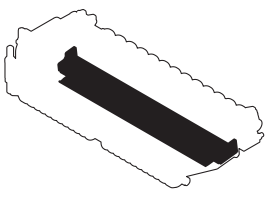
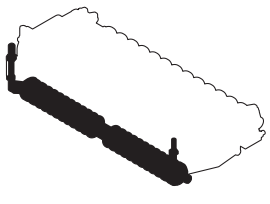
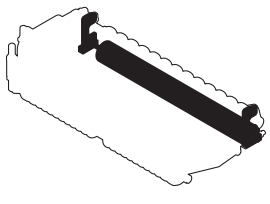
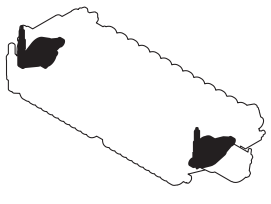
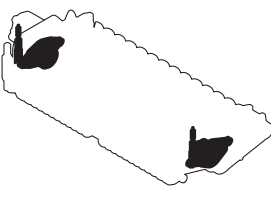
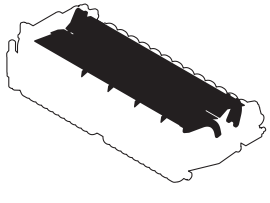
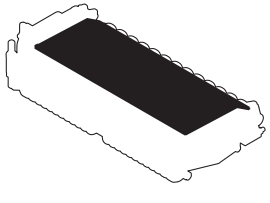
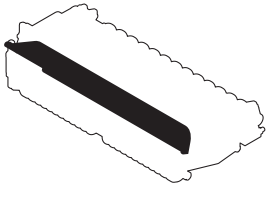
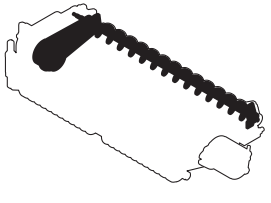
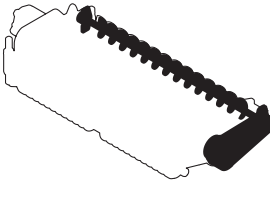
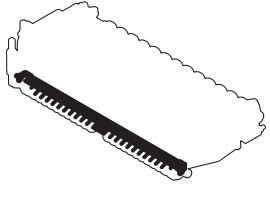
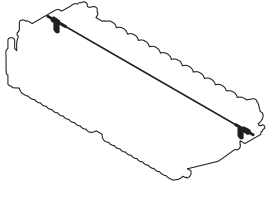
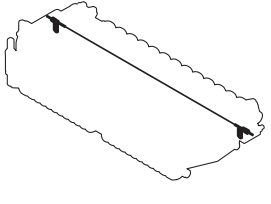
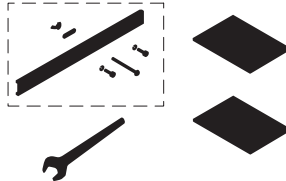
The following indication shows the connecting point of the part shown on the other page.

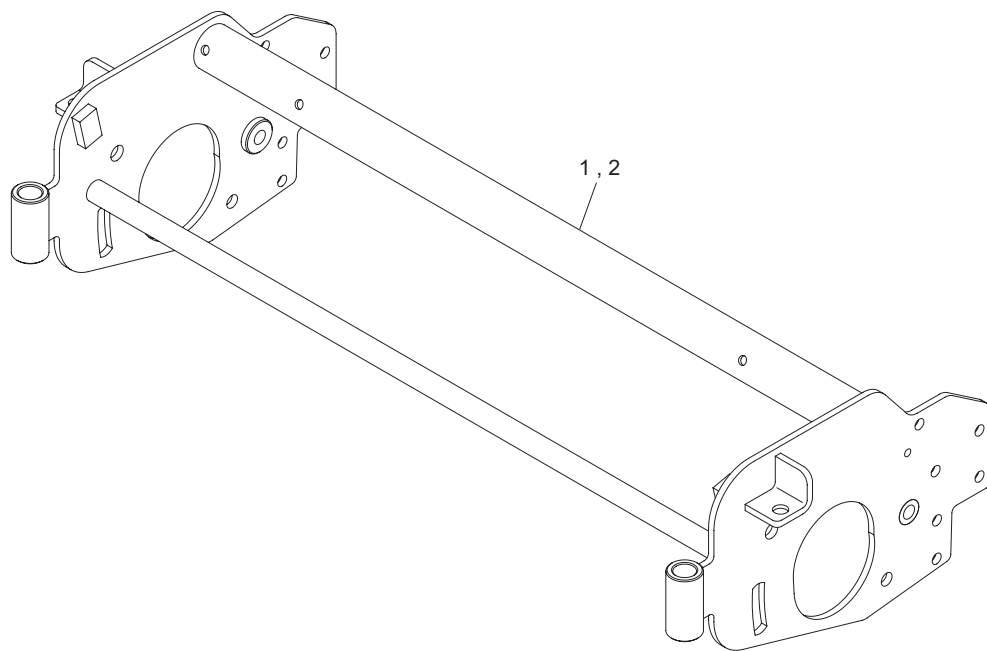


→ 1- **A** : Refer to the point **A** in the illustration of the section No.1

→ 2- **B** : Refer to the point **B** in the illustration of the section No.2

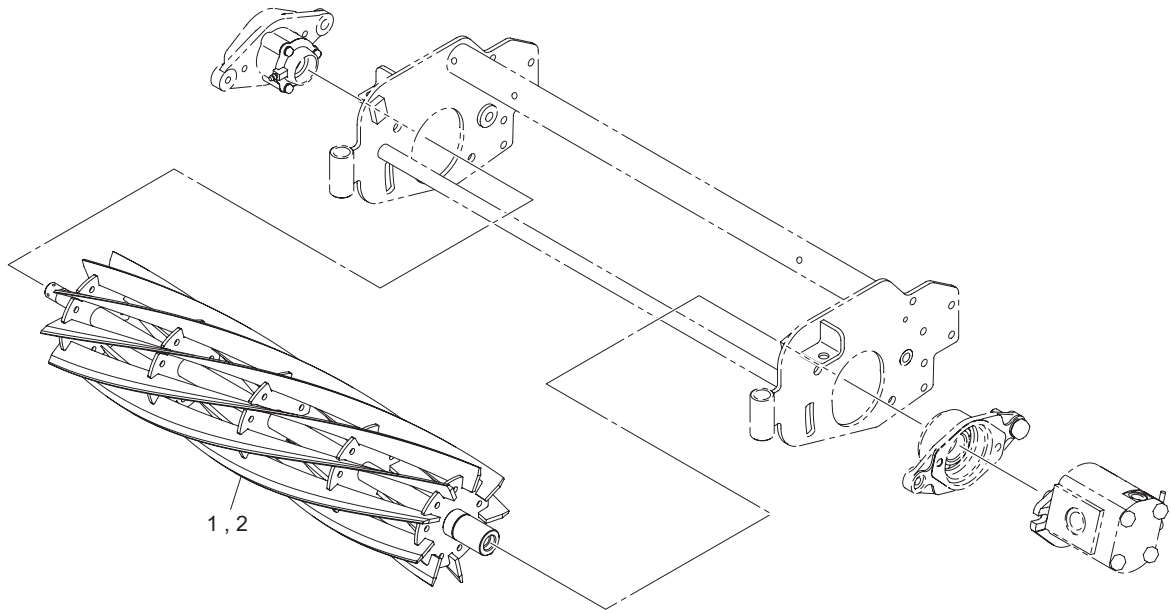
Contents

<p>1.Frame section.....2</p> 	<p>2.Reel cutter section A (motor on left side).....3</p> 	<p>3.Reel cutter section B (motor on right side)4</p> 	<p>4.Bed knife section5</p> 				
<p>5.Front roller section6</p> 	<p>6.Rear roller section7</p> 	<p>7.Housing section A (motor on left side).....8</p> 	<p>8.Housing section B (motor on right side)10</p> 				
<p>A9.Reel cover section A (variable type).....12</p> 	<p>B9.Reel cover section B (fixed type, rear discharge) ..13</p> 	<p>C9.Reel cover section C (fixed type, front discharge)14</p> 	<p>10.CR brush section A (motor on left side).....15</p> 				
<p>11.CR brush section B (motor on right side)17</p> 	<p>12.Front scraper section.....19</p> 	<p>13.Rear scraper section A (wire type A).....20</p> 	<p>A13.Rear scraper section B (wire type B)21</p> 				
<p>14.Accessories22</p> 							



LS66_001_z00

Cat No.	Code No.	Part name	Qty		Remark	SN of application
			LS62	LS66		
1-1	LS62---0101ZR	FRAME, MOWER 22	1	0		
1-2	LS66---0101ZR	FRAME, MOWER 26	0	1		

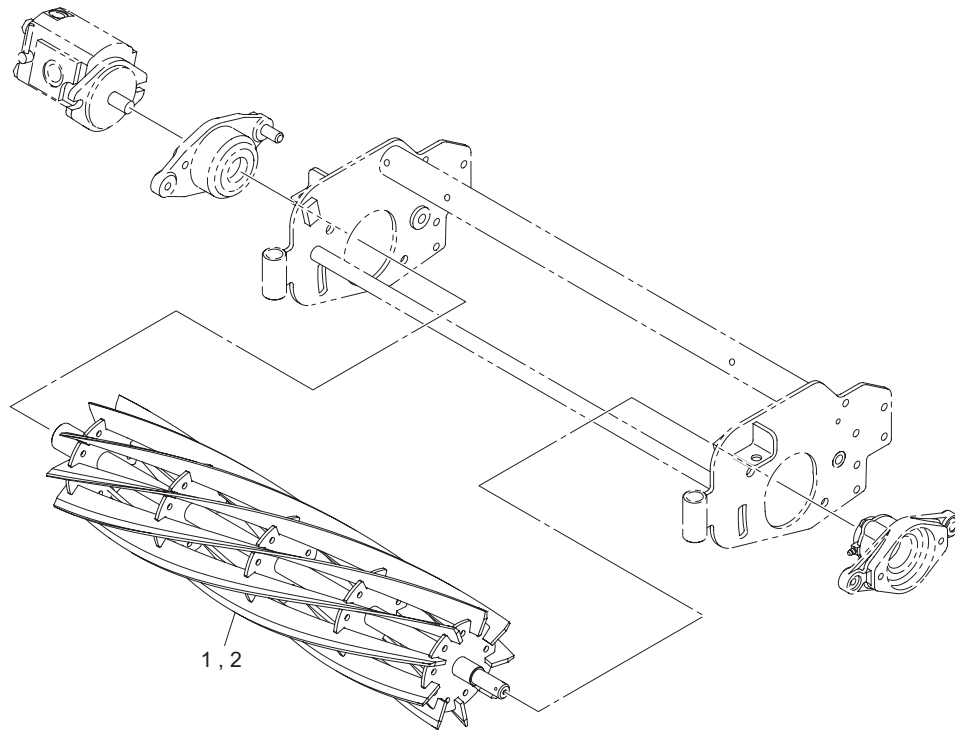


LS66_002_z00

Cat No.	Code No.	Part name	Qty		Remark	SN of application
			LS62	LS66		
2-1	K285261L90R	REEL CUTTER, 557-9L	1	0	9-blade	
2-2	K285260L90R	REEL CUTTER, 660-9L	0	1	9-blade	
2a-2	K285260L70R	REEL CUTTER, 660-7L	0	1	7-blade	
2b-2	K285260L50R	REEL CUTTER, 660-5L	0	1	5-blade	

3.Reel cutter section B (motor on right side)

LS62 • LS66

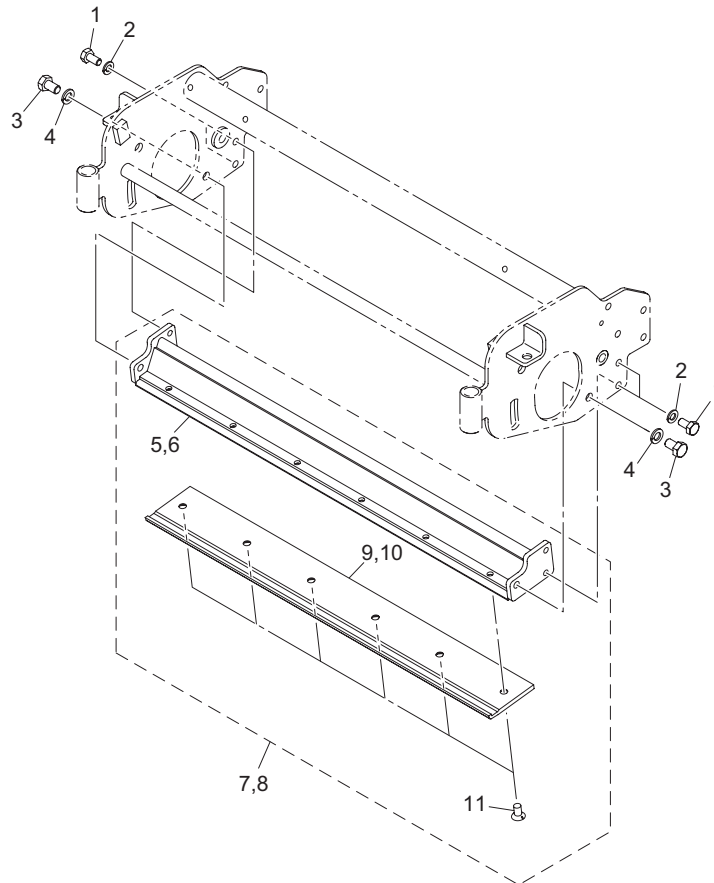


LS66_003_z00

Cat No.	Code No.	Part name	Qty		Remark	SN of application
			LS62	LS66		
3-1	K285261R90R	REEL CUTTER, 557-9R	1	0	9-blade	
3-2	K285260R90R	REEL CUTTER, 660-9R	0	1	9-blade	
3a-2	K285260R70R	REEL CUTTER, 660-7R	0	1	7-blade	
3b-2	K285260R50R	REEL CUTTER, 660-5R	0	1	5-blade	

4. Bed knife section

LS62 • LS66

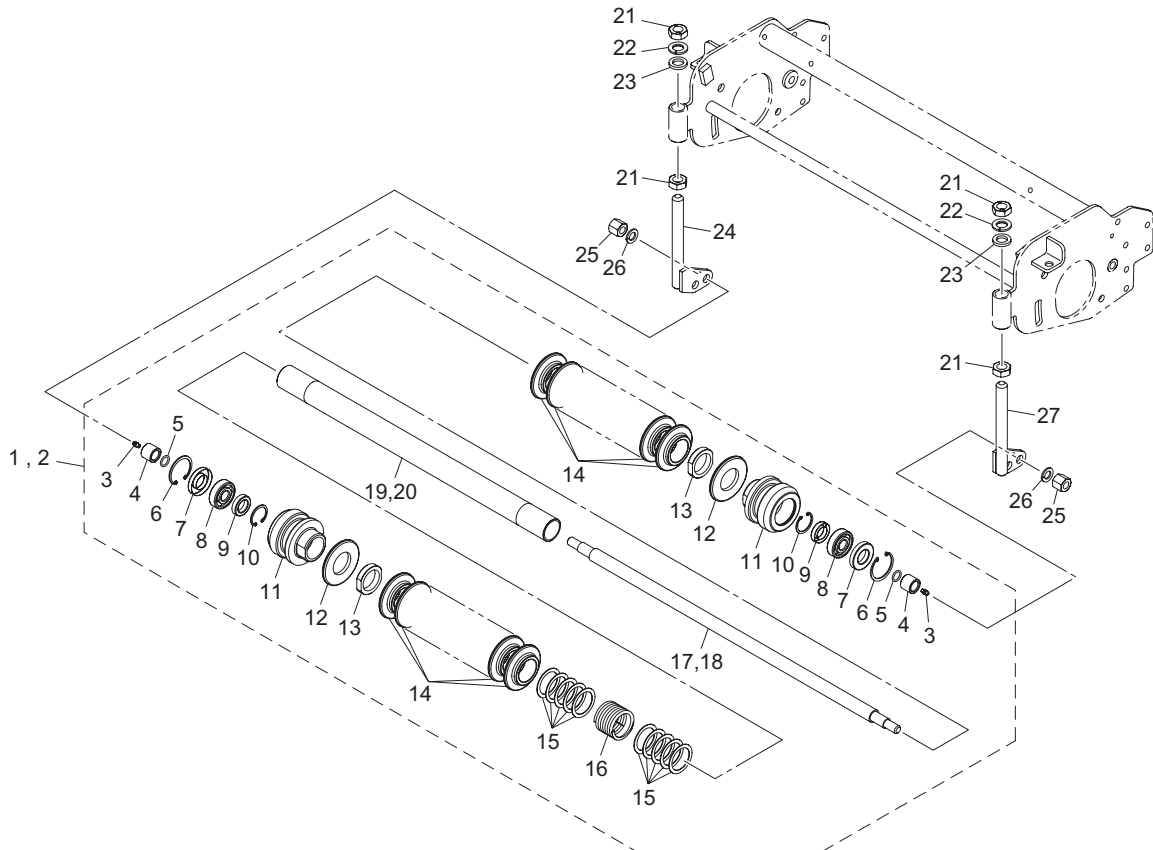


LS66_004_z00

Cat No.	Code No.	Part name	Qty		Remark	SN of application
			LS62	LS66		
4-1	K0000100202	BOLT, M10-20	4	4		
4-2	K0200100002	WASHER, SPRING M10	4	4		
4-3	K0000120202	BOLT, M12-20	2	2		
4-4	K0200120002	WASHER, SPRING M12	2	2		
4-5	LS62---0301ZR	BASE, BEDKNIFE 629.5	1	0		
4-6	LS66---0301ZR	BASE, BEDKNIFE 732	1	1		
4-7	LS62---0310Z0	BEDKNIFE COMP, 7	1	0		
4a-7	LS62---1310Z0	BEDKNIFE & BASE COMP, 5	1	0		
4-8	LS66---0310Z0	BEDKNIFE COMP, 7	0	1		
4a-8	LS66---1310Z0	BEDKNIFE & BASE COMP, 5	0	1		
4-9	K2510000290	BEDKNIFE, TIPPED 7.0-87-559-A	1	0		
4a-9	K2510000280	BEDKNIFE, TIPPED 5.0-87-559	1	0		
4-10	K2510000030	BEDKNIFE, TIPPED 7.0-85-662	0	1		
4a-10	K2510000250	BEDKNIFE, TIPPED 5.0-87-662	0	1		
4-11	K0071001182	SCREW, HT FLAT HEAD M10-16	6	6		

5.Front roller section

LS62 • LS66

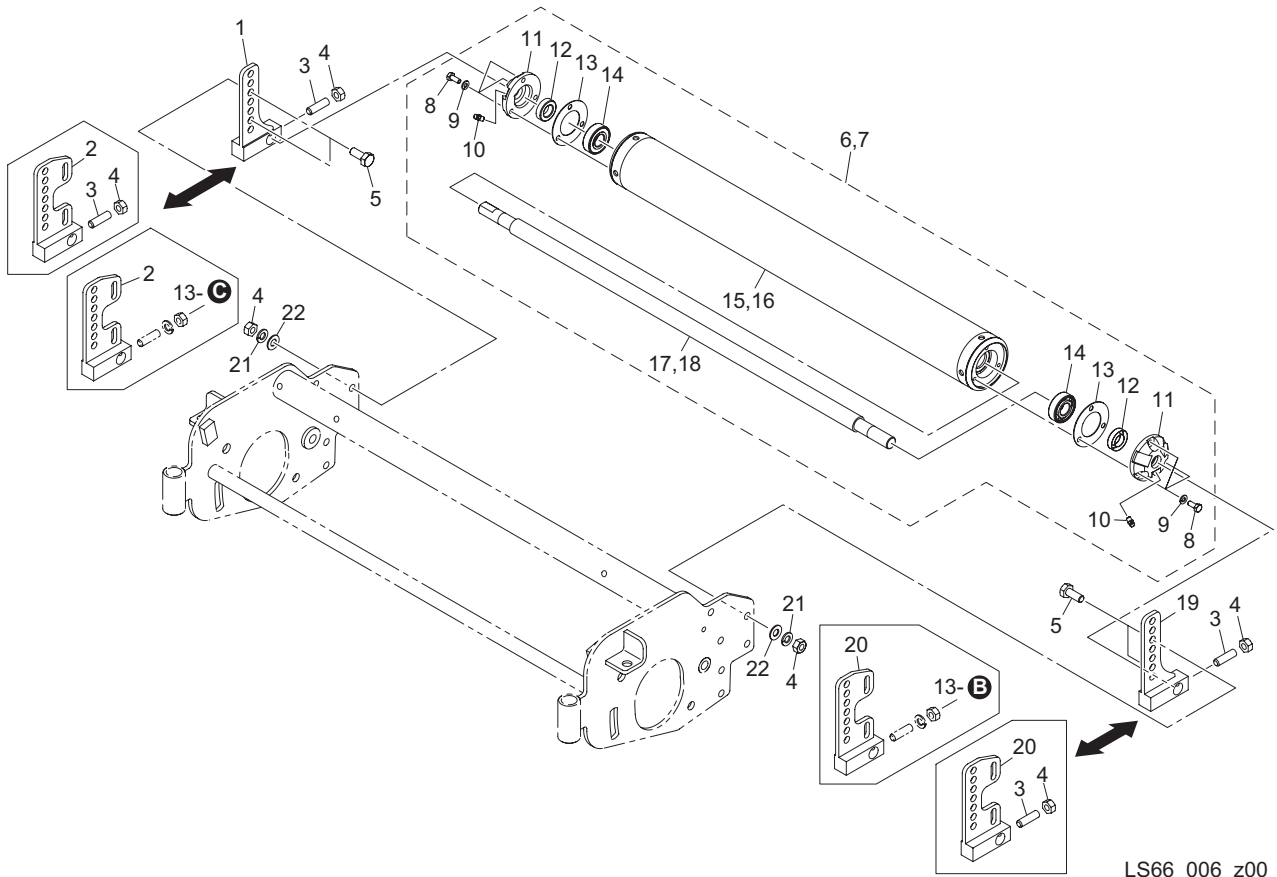


LS66_005_z00

Cat No.	Code No.	Part name	Qty		Remark	SN of application
			LS62	LS66		
5-1	LS62---0611A0	ROLLER ASSY, GROOVED 22	1	0		
5-2	LS66---0611A0	ROLLER ASSY, GROOVED 26	0	1		
5-3	K144000010	GREASE NIPPLE, STRAIGHT TYPE A	2	2		
5-4	LS66---0603Z0	COLLAR, SUS 17-25-21	2	2		
5-5	K0885015000	O-RING, S15	2	2		
5-6	K0402047001	RING, RETAINING R M47	2	2		
5-7	K0822547080	OIL SEAL, MHTA25478	2	2		
5-8	K0600063030	BEARING, BALL 6303	2	2		
5-9	K0822235080	OIL SEAL, MHTA22358	2	2		
5-10	K0402035001	RING, RETAINING R M35	2	2		
5-11	LH6690-0601AD	HOUSING, ROLLER	2	2		
5-12	K510100061D	PLATE, ROUND 80	2	2		
5-13	K016000062D	NUT, M40	2	2		
5-14	K5920000120	ROLLER, PLASTIC 80	14	18		
5-15	K5011040522	WASHER, SPCC 1-40-52	10	10		
5-16	K100000073D	SPRING, COMPRESSION M5-51-75	1	1		
5-17	LM2700-2107Z0	SHAFT, ROLLER 646.5	1	0		
5-18	LM2700-0152Z0	SHAFT, ROLLER 22-749	0	1		
5-19	LM2700-2109Z2	PIPE, ROLLER 34.2-40504.7	1	0		
5-20	LM2700-0151Z2	PIPE, ROLLER 34.2-40607.2	0	1		
5-21	K0108180002	NUT, P1.5 M18-3	4	4		
5-22	K0200180002	WASHER, SPRING M18	2	2		
5-23	K5012018282	WASHER, SPCC 2-18-28	2	2		
5-24	LS66---0602Z2	SCREW. HOC ADJ (RH)	1	1		
5-25	K0160000652	NUT, SPECIAL M14-30	2	2		
5-26	K0200140002	WASHER, SPRING M14	2	2		
5-27	LS66---0601Z2	SCREW. HOC ADJ (LH)	1	1		

6.Rear roller section

LS62 • LS66

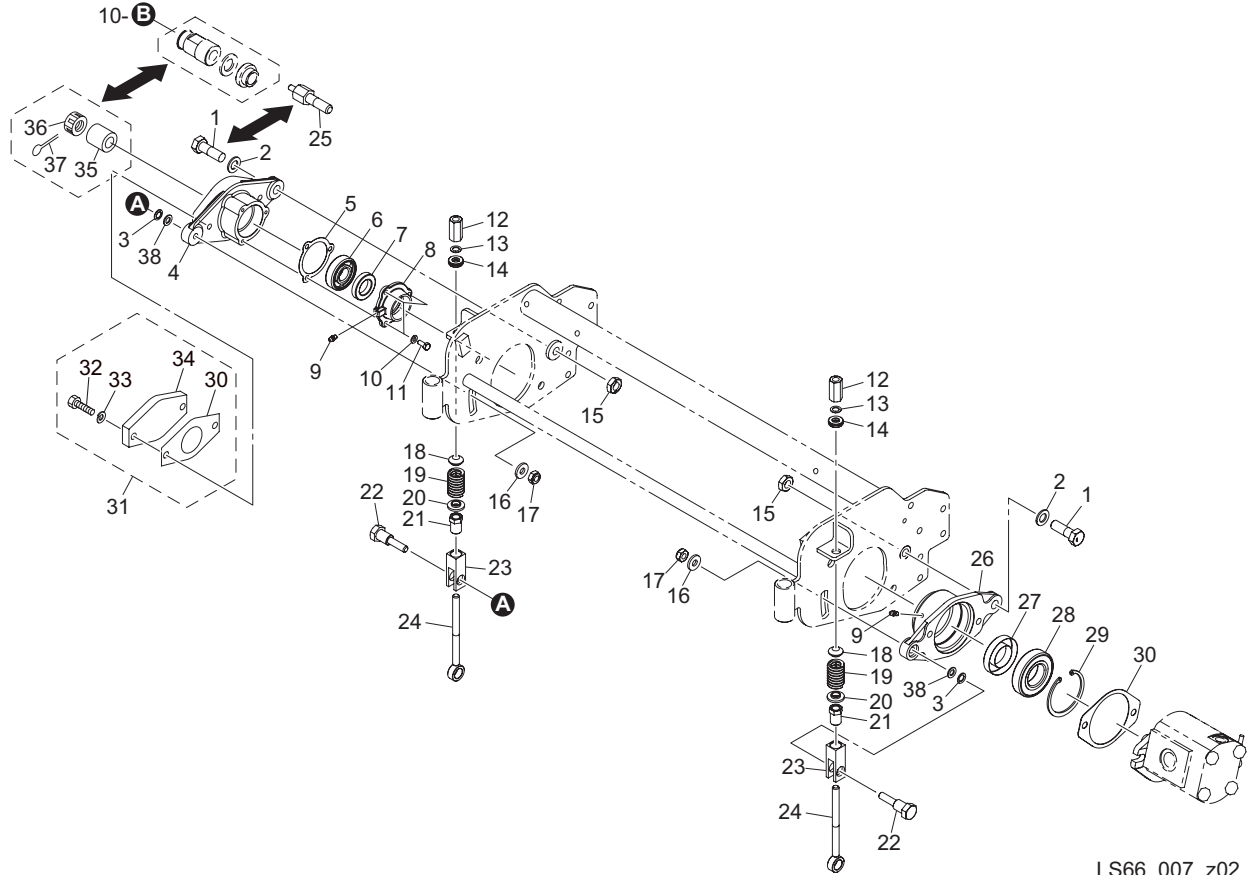


LS66_006_z00

Cat No.	Code No.	Part name	Qty		Remark	SN of application
			LS62	LS66		
6-1	LS66---0702Z2	BRACKET, ROLLER (RH)	1	1	STD	
6-2	LS66---1702Z2	BRACKET, ROLLER (RH)	1	1	for CR brush	
6-3	K0023100251	SETSCREW, M10-25	2	2		
6-4	K0100100002	NUT, M10	6	6		
6-5	K0000100252	BOLT, M10-25	4	4		
6-6	K8021000560	ROLLER ASSY, 661.5	1	0		
6-7	K8021000520	ROLLER ASSY, 764	0	1		
6-8	K0000060152	BOLT, M6-15	6	6		
6-9	K0200060002	WASHER, SPRING M6	6	6		
6-10	K1440000010	GREASE NIPPLE, STRAIGHT TYPE A	2	2		
6-11	K6810000070	HOUSING, SEAL	2	2		
6-12	K0821730080	OIL SEAL, MHSA17308	2	2		
6-13	K4015136650	PACKING, FIBER 1-36-65	2	2		
6-14	K0602062030	BEARING, BALL SHIELD Z 6203	2	2		
6-15	K740000026D	ROLLER, 76.2-571.5	1	0		
6-16	K740000024D	ROLLER, 76.2-674	0	1		
6-17	K6155000300	SHAFT, ROLLER 661.5	1	0		
6-18	K6155000280	SHAFT, ROLLER 764	0	1		
6-19	LS66---0701Z2	BRACKET, ROLLER (LH)	1	1	STD	
6-20	LS66---1701Z2	BRACKET, ROLLER (LH)	1	1	for CR brush	
6-21	K0200100002	WASHER, SPRING M10	4	4		
6-22	K5000100002	WASHER, M10	4	4		

7.Housing section A (motor on left side)

LS62 • LS66

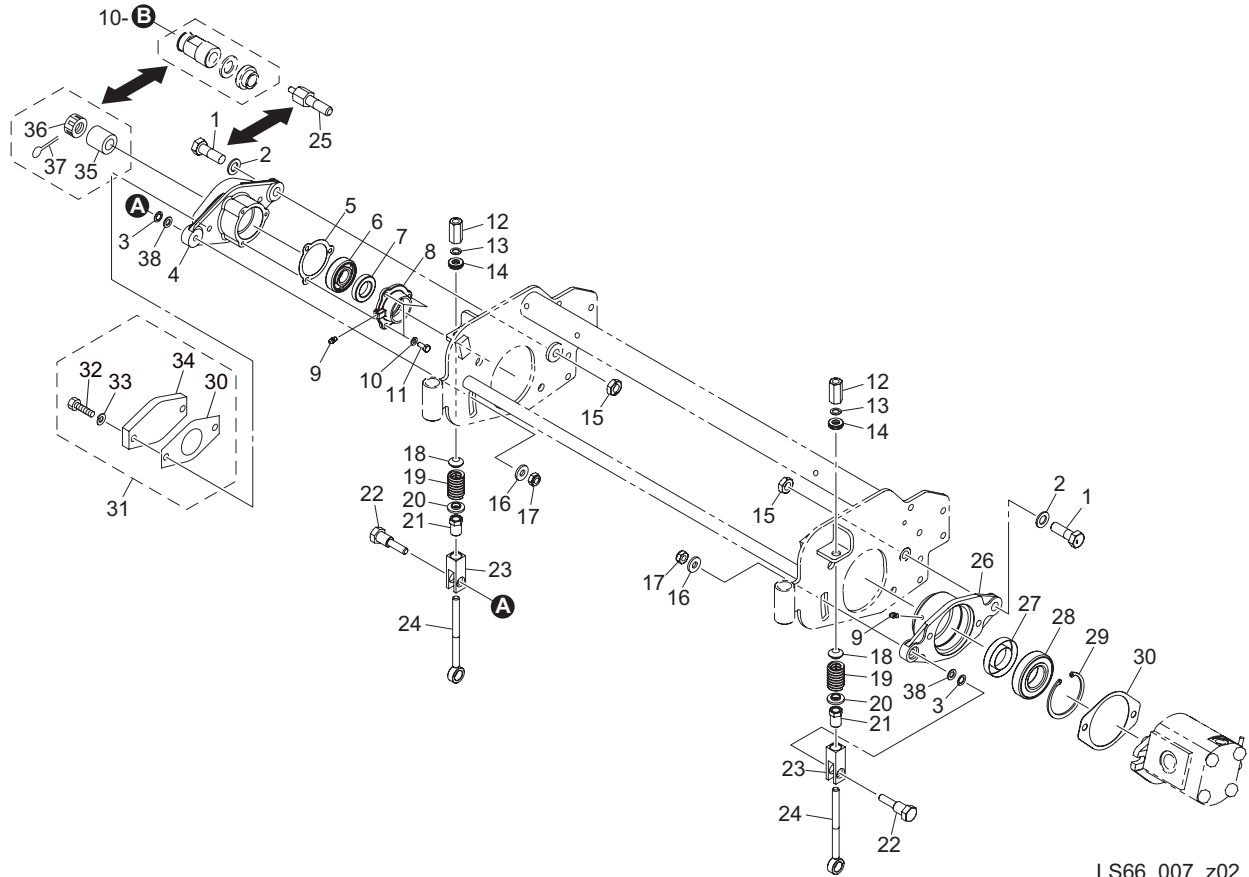


LS66_007_z02

Cat No.	Code No.	Part name	Qty		Remark	SN of application
			LS62	LS66		
7-1	K0071001132	BOLT, AXIS	2	2	STD	
7a-1	K0071001132	BOLT, AXIS	1	1	for CR brush	
7-2	K5012314252	WASHER, SPCC 2.3-14-25	2	2		
7-3	K0214100002	WASHER, DISK SPRING 2L M10	2	2		
7-4	K6903000222	HOUSING, REEL CUTTER CR	1	1		
7-5	K4011000150	PACKING, OIL-SHEET	1	1		
7-6	K0602063040	BEARING, BALL SHIELD Z 6304	1	1		
7-7	K0822542080	OIL SEAL, MHSA25428	1	1		
7-8	K6903000042	CAP, HOUSING	1	1		
7-9	K1440000010	GREASE NIPPLE, STRAIGHT TYPE A	2	2		
7-10	K0200060002	WASHER, SPRING M6	3	3		
7-11	K0000060152	BOLT, M6-15	3	3		
7-12	LM56G--0506Z2	NUT, HIGH M10-17-35 P1.0	2	2		
7-13	K5051010160	WASHER, C5191P 1-10-16	2	2		
7-14	K5090000820	WASHER, SPHERICAL M10	2	2		
7-15	K0105140002	NUT, P1.5 M14-3	2	2		
7-16	K5073210242	WASHER, SPHC 3.2-10-24	2	2		
7-17	K0145100002	NUT, W/F-RING, P1.25 M10	2	2		
7-18	K6206000172	RECEIVER, SPRING	2	2		
7-19	K1000000458	SPRING, COMPRESSION M5-25-60	2	2		
7-20	K6206000052	RECEIVER, FOR SPRING	2	2		
7-21	K6081000082	PIPE, W/CUTTER ADJUSTING SCREW	2	2		
7-22	K6082000122	BOLT, STEPPED FOR FIXING HOUSING	2	2		
7-23	K6090000552	MOUNT, ADJUSTING SCREW	2	2		
7-24	K7303000182	BOLT, ADJUSTING CUTTER	2	2		
7-25	LM2400-2409Z2	BOLT, AXIS	1	1	for CR brush	
7-26	LS66L--0402Z2	HOUSING, HYDRAULIC MOTOR A	1	1		
7-27	K0823560120	OIL SEAL, MHSA356012	1	1		
7-28	K0602062070	BEARING, BALL SHIELD Z 6207	1	1		
7-29	K0402072001	RING, RETAINING R M72	1	1		

7.Housing section A (motor on left side)

LS62 • LS66

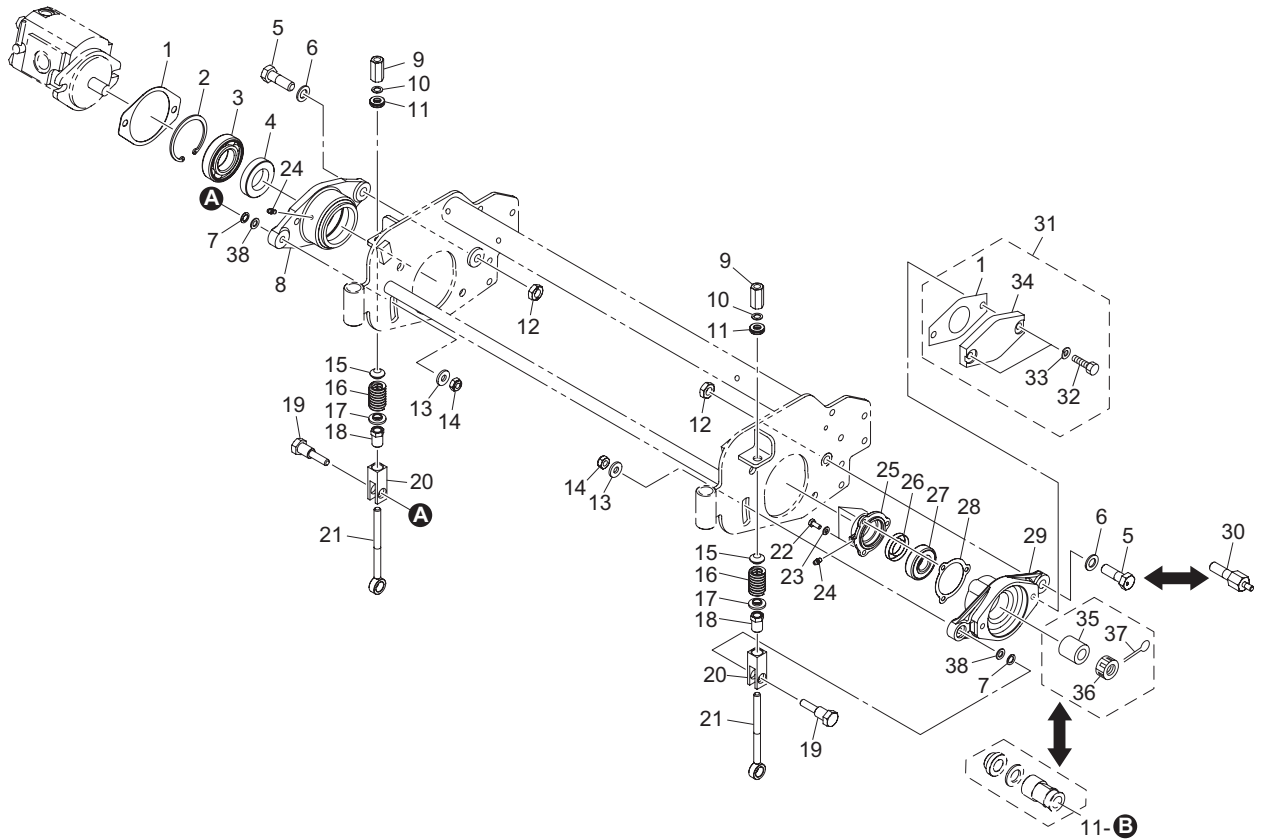


LS66_007_z02

Cat No.	Code No.	Part name	Qty		Remark	SN of application
			LS62	LS66		
7-30	K4011000290	PACKING, OIL-SHEET	2	2		
7-31	LS66--0910Z0	WEIGHT ASSY	1	1		
7-32	K0000100452	BOLT, M10-45	2	2		
7-33	K0200100002	WASHER, SPRING M10	2	2		
7-34	K690300017D	COVER, REEL HOUSING	1	1		
7-35	K6212001742	COLLAR, STKM M20.2-28-18	1	1	STD	
7-36	K0170000012	NUT, SPECIAL M20	1	1	STD	
7-37	K0300032252	PIN, COTTER M3.2-25	1	1	STD	
7-38	K5012310172	WASHER, SPCC 2.3-10-17	2	2		

8.Housing section B (motor on right side)

LS62 • LS66

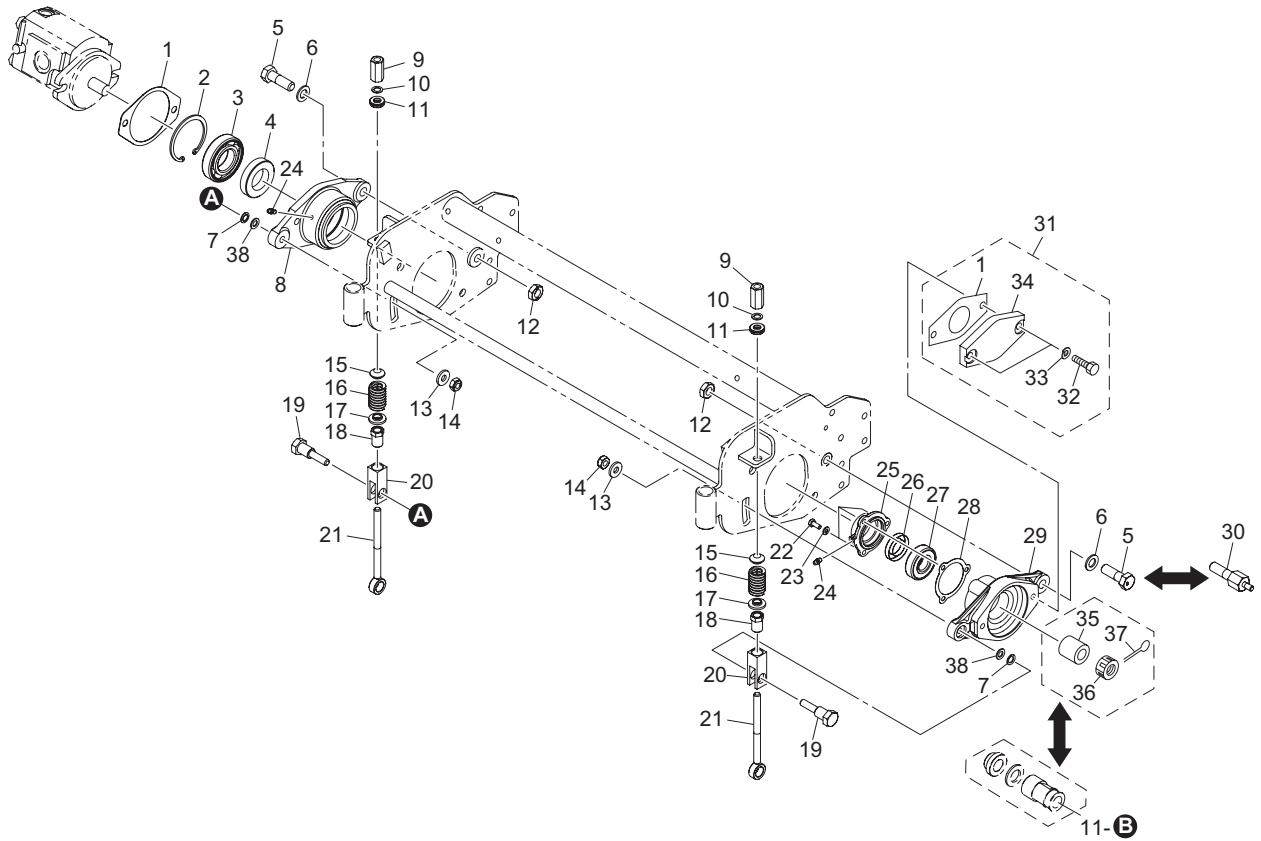


LS66_008_z02

Cat No.	Code No.	Part name	Qty		Remark	SN of application
			LS62	LS66		
8-1	K4011000290	PACKING, OIL-SHEET	2	2		
8-2	K0402072001	RING, RETAINING R M72	1	1		
8-3	K0602062070	BEARING, BALL SHIELD Z 6207	1	1		
8-4	K0823560120	OIL SEAL, MHSA356012	1	1		
8-5	K0071001132	BOLT, AXIS	2	2	STD	
8a-5	K0071001132	BOLT, AXIS	1	1	for CR brush	
8-6	K5012314252	WASHER, SPCC 2.3-14-25	2	2		
8-7	K0214100002	WASHER, DISK SPRING 2L M10	2	2		
8-8	LS66R--0402Z2	HOUSING, HYDRAULIC MOTOR B	1	1		
8-9	LM56G--0506Z2	NUT, HIGH M10-17-35 P1.0	2	2		
8-10	K5051010160	WASHER, C5191P 1-10-16	2	2		
8-11	K5090000820	WASHER, SPHERICAL M10	2	2		
8-12	K0105140002	NUT, P1.5 M14-3	2	2		
8-13	K5073210242	WASHER, SPHC 3.2-10-24	2	2		
8-14	K0145100002	NUT, W/F-RING, P1.25 M10	2	2		
8-15	K6206000172	RECEIVER, SPRING	2	2		
8-16	K1000000458	SPRING, COMPRESSION M5-25-60	2	2		
8-17	K6206000052	RECEIVER, FOR SPRING	2	2		
8-18	K6081000082	PIPE, W/CUTTER ADJUSTING SCREW	2	2		
8-19	K6082000122	BOLT, STEPPED FOR FIXING HOUSING	2	2		
8-20	K6090000552	MOUNT, ADJUSTING SCREW	2	2		
8-21	K7303000182	BOLT, ADJUSTING CUTTER	2	2		
8-22	K0000060152	BOLT, M6-15	3	3		
8-23	K0200060002	WASHER, SPRING M6	3	3		
8-24	K1440000010	GREASE NIPPLE, STRAIGHT TYPE A	2	2		
8-25	K6903000042	CAP, HOUSING	1	1		
8-26	K0822542080	OIL SEAL, MHSA25428	1	1		
8-27	K0602063040	BEARING, BALL SHIELD Z 6304	1	1		
8-28	K4011000150	PACKING, OIL-SHEET	1	1		
8-29	K6903000222	HOUSING, REEL CUTTER CR	1	1		

8.Housing section B (motor on right side)

LS62 • LS66

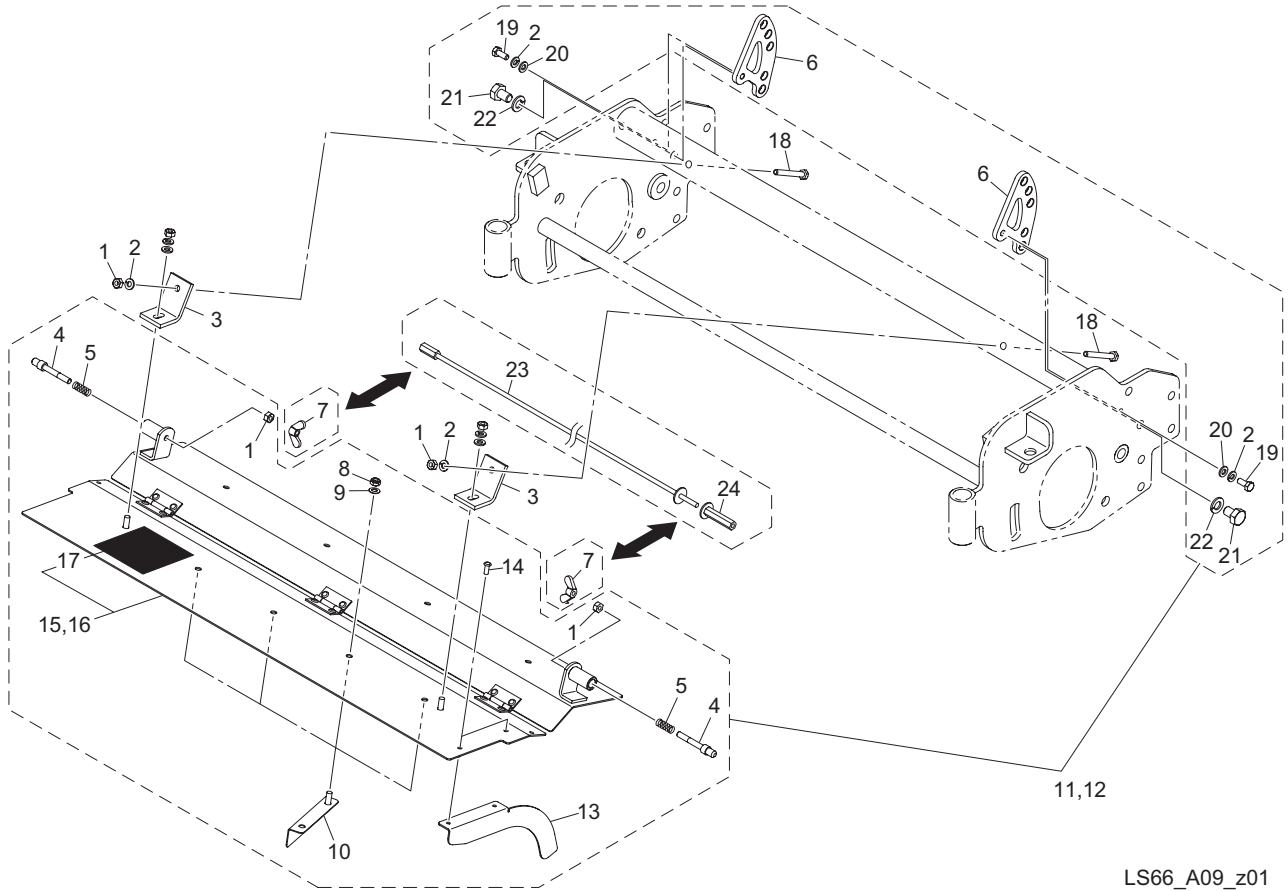


LS66_008_z02

Cat No.	Code No.	Part name	Qty		Remark	SN of application
			LS62	LS66		
8-30	LM2400-2409Z2	BOLT, AXIS	1	1	for CR brush	
8-31	LS66--0910Z0	WEIGHT ASSY	1	1		
8-32	K0000100452	BOLT, M10-45	2	2		
8-33	K0200100002	WASHER, SPRING M10	2	2		
8-34	K690300017D	COVER, REEL HOUSING	1	1		
8-35	K6212001742	COLLAR, STKM M20.2-28-18	1	1	STD	
8-36	K0170000012	NUT, SPECIAL M20	1	1	STD	
8-37	K0300032252	PIN, COTTER M3.2-25	1	1	STD	
8-38	K5012310172	WASHER, SPCC 2.3-10-17	2	2		

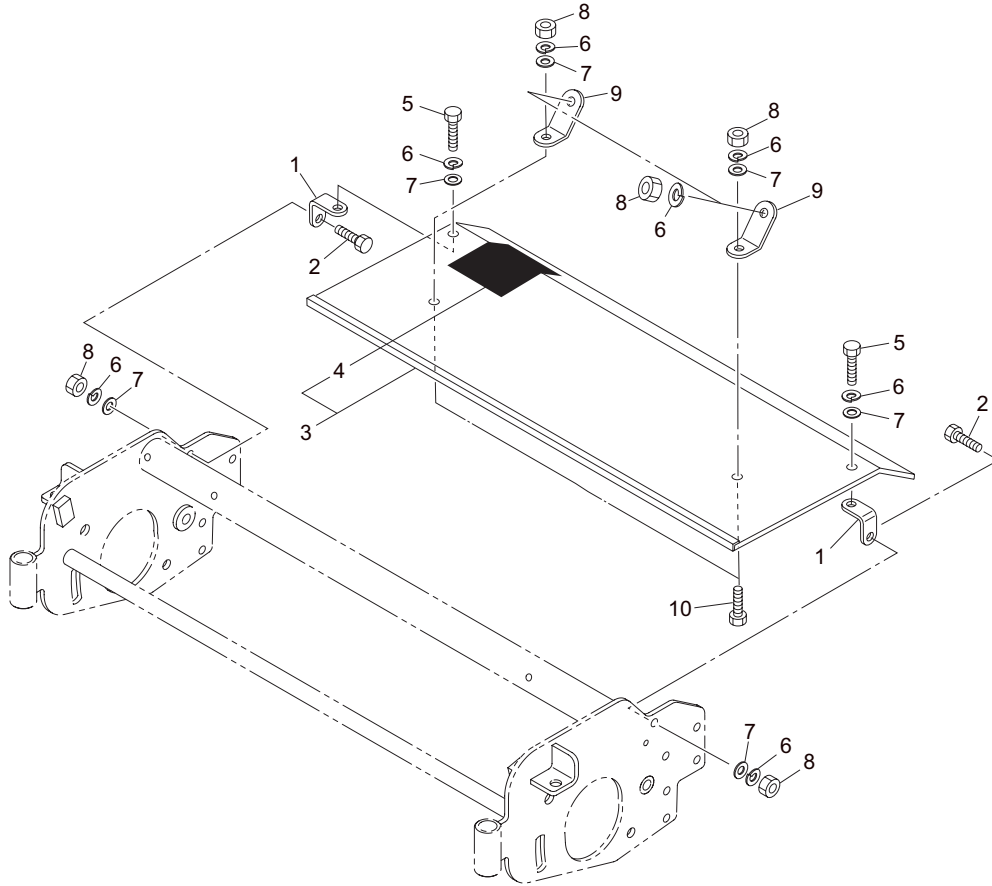
A9.Reel cover section A (variable type)

LS62 • LS66



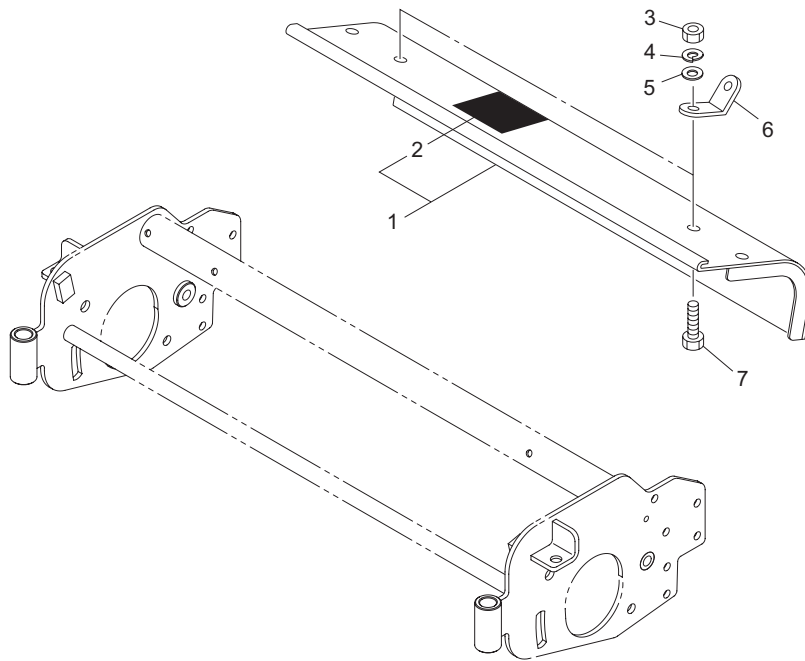
LS66_A09_z01

Cat No.	Code No.	Part name	Qty		Remark	SN of application
			LS62	LS66		
A9-1	K0100060002	NUT, M6	4	4		
A9-2	K0200060002	WASHER, SPRING M6	4	4		
A9-3	LM526A-1103ZR	MOUNT, COVER	2	2		
A9-4	LM526--1103Z2	PIN, LOCKING	2	2		
A9-5	K1000000260	SPRING, COMPRESSION M0.7-8.4-25	2	2		
A9-6	LM2400-2446ZR	ADJUSTER, FOR VARIABLE REEL COVER	2	2		
A9-7	K0141060002	NUT, WING M6-3	2	2		
A9-8	K0144060002	NUT, W/F-RING M6	4	4		
A9-9	K0213060001	WASHER, DISK SPRING 1H M6	4	4		
A9-10	LM526A-1104AR	FIN	4	4		
A9-11	LS62---2510Z0	COVER COMP, REEL VARIABLE	1	0		
A9-12	LM2400-2445Z0	COVER COMP, REEL VARIABLE	0	1		
A9-13	LM526A-1102ZR	COVER, AUXILIARY	1	1		
A9-14	K4510615120	RIVET, BLIND AVEX 1661-0512	2	2		
A9-15	LS62---2511Z0	COVER, REEL VARIABLE W/DECAL	1	0		
A9-16	LM2400-2421Z0	COVER, REEL VARIABLE W/DECAL	0	1		
A9-17	K4205001600	DECAL, CAUTION CUTTING HANDS/FEET	1	1		
A9-18	K0000060502	BOLT, M6-50	2	2		
A9-19	K0000060152	BOLT, M6-15	2	2		
A9-20	K5000060002	WASHER, M6	2	2		
A9-21	K0000100152	BOLT, M10-15	2	2		
A9-22	K0200100002	WASHER, SPRING M10	2	2		
A9-23	LS62---3502Z2	ROD, OPENING AND SHUTING	1	0	easy latch	
A9a-23	LS66---3502Z2	ROD, OPENING AND SHUTING	0	1	easy latch	
A9-24	LS66---3503Z2	BRACKET, OPENING AND SHUTING ROD	1	1	easy latch	



LS66_B09_z00

Cat No.	Code No.	Part name	Qty		Remark	SN of application
			LS62	LS66		
B9-1	K5206000522	PLATE, FOR FIXING COVER	0	2		
B9-2	K0000060202	BOLT, M6-20	0	2		
B9-3	K9010000180	COVER, REEL W/ DECAL	0	1		
B9-4	K4205001600	DECAL, CAUTION CUTTING HANDS/FEET	0	1		
B9-5	K0000060102	BOLT, M6-10	0	2		
B9-6	K0200060002	WASHER, SPRING M6	0	8		
B9-7	K5000060002	WASHER, M6	0	6		
B9-8	K0100060002	NUT, M6	0	6		
B9-9	K527600041R	PLATE, FOR FIXING COVER	0	2		
B9-10	K0000060152	BOLT, M6-15	0	2		

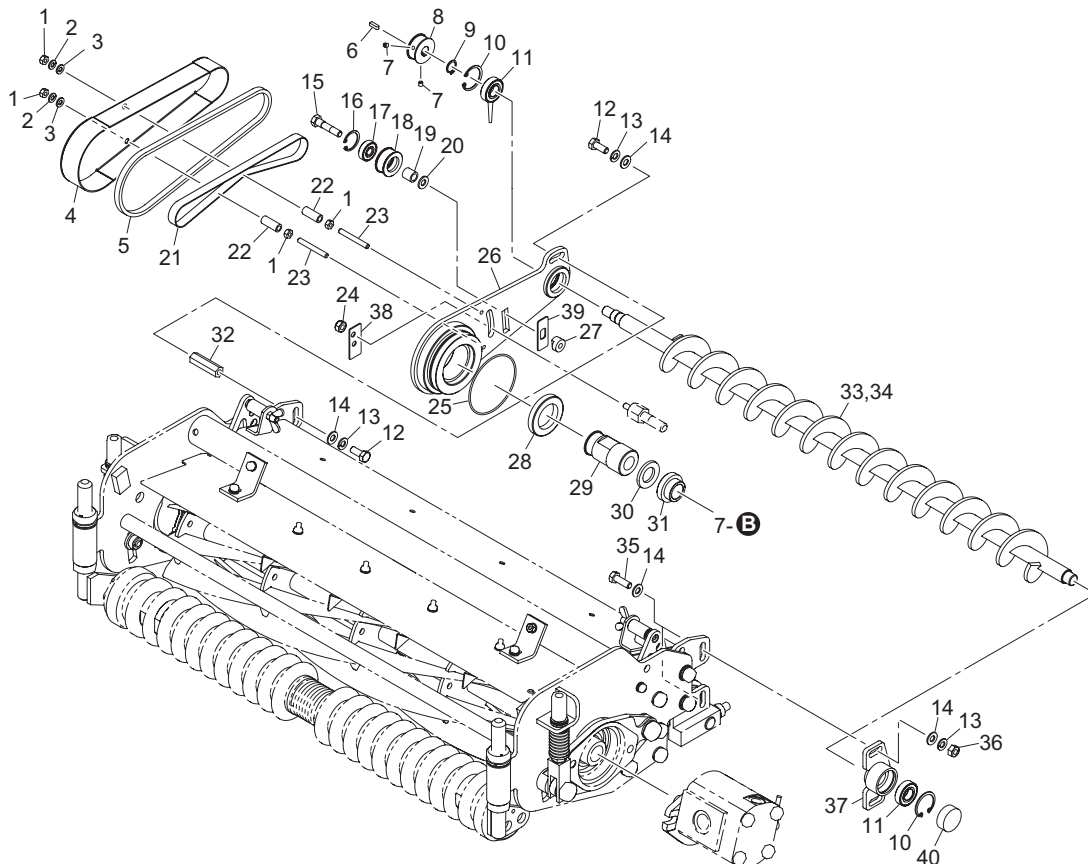


LS66_C09_z00

Cat No.	Code No.	Part name	Qty		Remark	SN of application
			LS62	LS66		
C9-1	LM283--1901A0	COVER, REEL W/DECAL (FRONT)	0	1		
C9-2	K4205001600	DECAL, CAUTION CUTTING HANDS/FEET	0	1		
C9-3	K0100060002	NUT, M6	0	2		
C9-4	K0200060002	WASHER, SPRING M6	0	2		
C9-5	K5000060002	WASHER, M6	0	2		
C9-6	LM318--1304AR	FIXTURE, REEL COVER	0	2		
C9-7	K0000060152	BOLT, M6-15	0	2		

10.CR brush section A (motor on left side)

LS62 • LS66

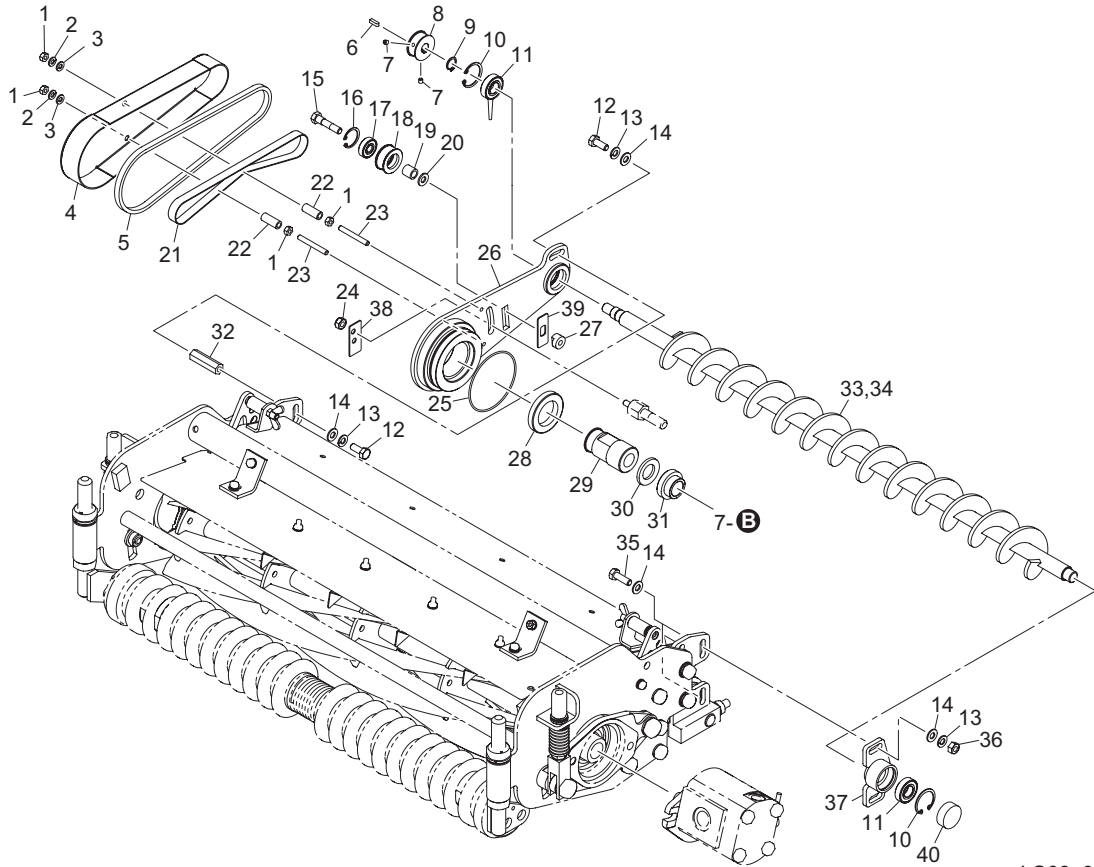


LS66_010_z02

Cat No.	Code No.	Part name	Qty		Remark	SN of application
			LS62	LS66		
10-1	K0100060002	NUT, M6	4	4		
10-2	K0200060002	WASHER, SPRING M6	2	2		
10-3	K5000060002	WASHER, M6	2	2		
10-4	LM2400-2405ZD	COVER, BELT	1	1		
10-5	LM2700-4123Z0	RUBBER, 8U-615	1	1		
10-6	K0520404140	KEY, ROUND/SQUARE, M4-414	1	1		
10-7	K0023050061	SETSCREW, M5-6	2	2		
10-8	LM2400-2410A2	PULLEY, BRUSH SHAFT	1	1		
10-9	K0401015001	RING, RETAINING S M15	1	1		
10-10	K0402032001	RING, RETAINING R M32	2	2		
10-11	K0612060020	BEARING, BALL SEAL 2RD 6002	2	2		
10-12	K0000080202	BOLT, M8-20	2	2		
10-13	K0200080002	WASHER, SPRING M8	4	4		
10-14	K5000080002	WASHER, M8	6	6		
10-15	LM2700-4111Z8	BOLT, SPECIAL M8	1	1		
10-16	K0402026001	RING, RETAINING R M26	1	1		
10-17	K0608006290	BEARING, BALL SEAL 2RS 629	1	1		
10-18	LM2700-4108Z2	PULLEY, TENSION 1232	1	1		
10-19	K6211000482	COLLAR, SGP M9.2-13.8-14	1	1		
10-20	K0213080002	WASHER, DISK SPRING 1H M8	1	1		
10-21	K2380000030	BELT, F STAR 10FL-500	1	1		
10-22	K6211000492	COLLAR, SGP M6.5-10.5-26.4	2	2		
10-23	K0023060502	SETSCREW, M6-50	2	2		
10-24	K0144080002	NUT, W/F-RING M8	1	1		
10-25	K0885080000	O-RING, S80	1	1		
10-26	LS66R--4202ZD	FRAME, BRUSH (LH)	1	1		
10-27	LM2700-4109Z2	BASE, SCREW	1	1		
10-28	K0823555080	OIL SEAL, MHSA355508	1	1		
10-29	LM2400-2407Z2	PULLEY, DRIVING 30	1	1		
10-30	K0212200002	WASHER, DISK SPRING 1L M20	1	1		

10.CR brush section A (motor on left side)

LS62 • LS66

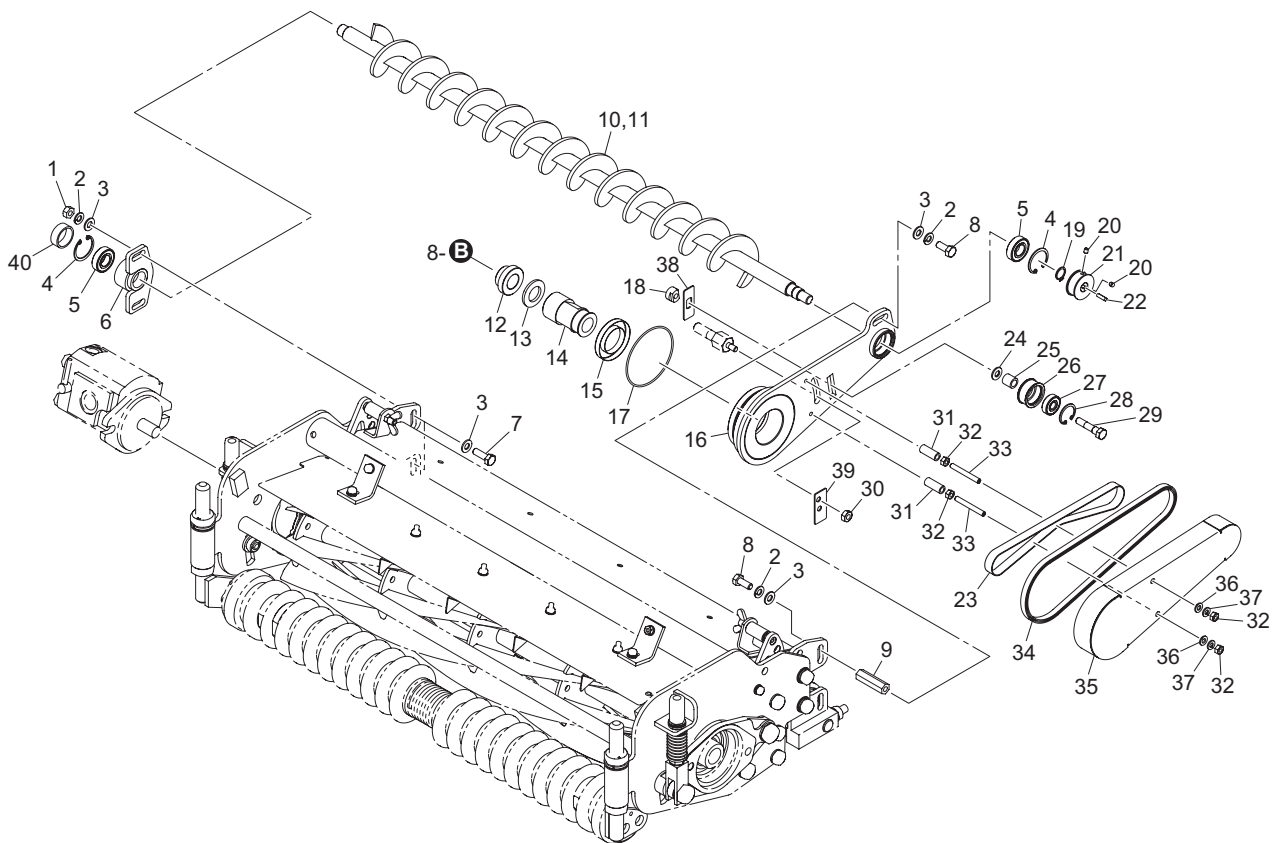


LS66_010_z02

Cat No.	Code No.	Part name	Qty		Remark	SN of application
			LS62	LS66		
10-31	LM2400-2408Z2	COLLAR, STEPPED	1	1		
10-32	LS66---4203Z2	NUT, HIGH M8-45.8	1	1		
10-33	LS62---4212A0	BRUSH, CR LS22	1	0		
10-34	LS66---4212A0	BRUSH, CR LS26	0	1		
10-35	K0000080252	BOLT, M8-25	2	2		
10-36	K0100080002	NUT, M8	2	2		
10-37	LS66---4204AD	HOUSING, BRUSH SHAFT	1	1		
10-38	LS66---4205Z2	PLATE, DUST-PROOF	1	1		
10-39	LH669L-1206Z2	PLATE	1	1		
10-40	K0890000040	CAP, RUBBER 32	1	1		

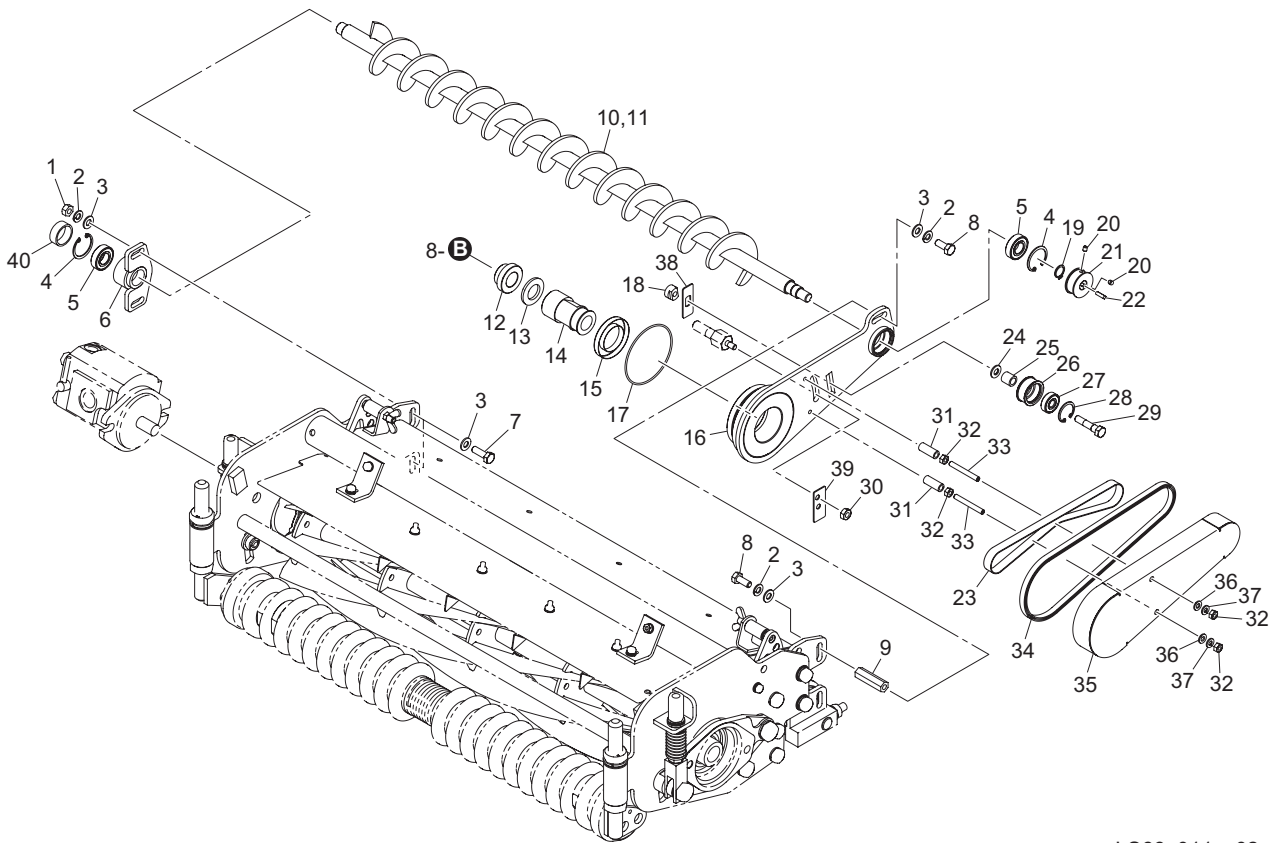
11.CR brush section B (motor on right side)

LS62 • LS66



LS66_011_z02

Cat No.	Code No.	Part name	Qty		Remark	SN of application
			LS62	LS66		
11-1	K0100080002	NUT, M8	2	2		
11-2	K0200080002	WASHER, SPRING M8	4	4		
11-3	K5000080002	WASHER, M8	6	6		
11-4	K0402032001	RING, RETAINING R M32	2	2		
11-5	K0612060020	BEARING, BALL SEAL 2RD 6002	2	2		
11-6	LS66---4204AD	HOUSING, BRUSH SHAFT	1	1		
11-7	K0000080252	BOLT, M8-25	2	2		
11-8	K0000080202	BOLT, M8-20	2	2		
11-9	LS66---4203Z2	NUT, HIGH M8-45.8	1	1		
11-10	LS62---4212A0	BRUSH, CR LS22	1	0		
11-11	LS66---4212A0	BRUSH, CR LS26	0	1		
11-12	LM2400-2408Z2	COLLAR, STEPPED	1	1		
11-13	K0212200002	WASHER, DISK SPRING 1L M20	1	1		
11-14	LM2400-2407Z2	PULLEY, DRIVING 30	1	1		
11-15	K0823555080	OIL SEAL, MHS355508	1	1		
11-16	LS66L--4201ZD	FRAME, BRUSH (LH)	1	1		
11-17	K0885080000	O-RING, S80	1	1		
11-18	LM2700-4109Z2	BASE, SCREW	1	1		
11-19	K0401015001	RING, RETAINING S M15	1	1		
11-20	K0023050061	SETSCREW, M5-6	2	2		
11-21	LM2400-2410A2	PULLEY, BRUSH SHAFT	1	1		
11-22	K0520404140	KEY, ROUND/SQUARE, M4-414	1	1		
11-23	K2380000030	BELT, F STAR 10FL-500	1	1		
11-24	K0213080002	WASHER, DISK SPRING 1H M8	1	1		
11-25	K6211000482	COLLAR, SGP M9.2-13.8-14	1	1		
11-26	LM2700-4108Z2	PULLEY, TENSION 1232	1	1		
11-27	K0608006290	BEARING, BALL SEAL 2RS 629	1	1		
11-28	K0402026001	RING, RETAINING R M26	1	1		
11-29	LM2700-4111Z8	BOLT, SPECIAL M8	1	1		
11-30	K0144080002	NUT, W/F-RING M8	1	1		

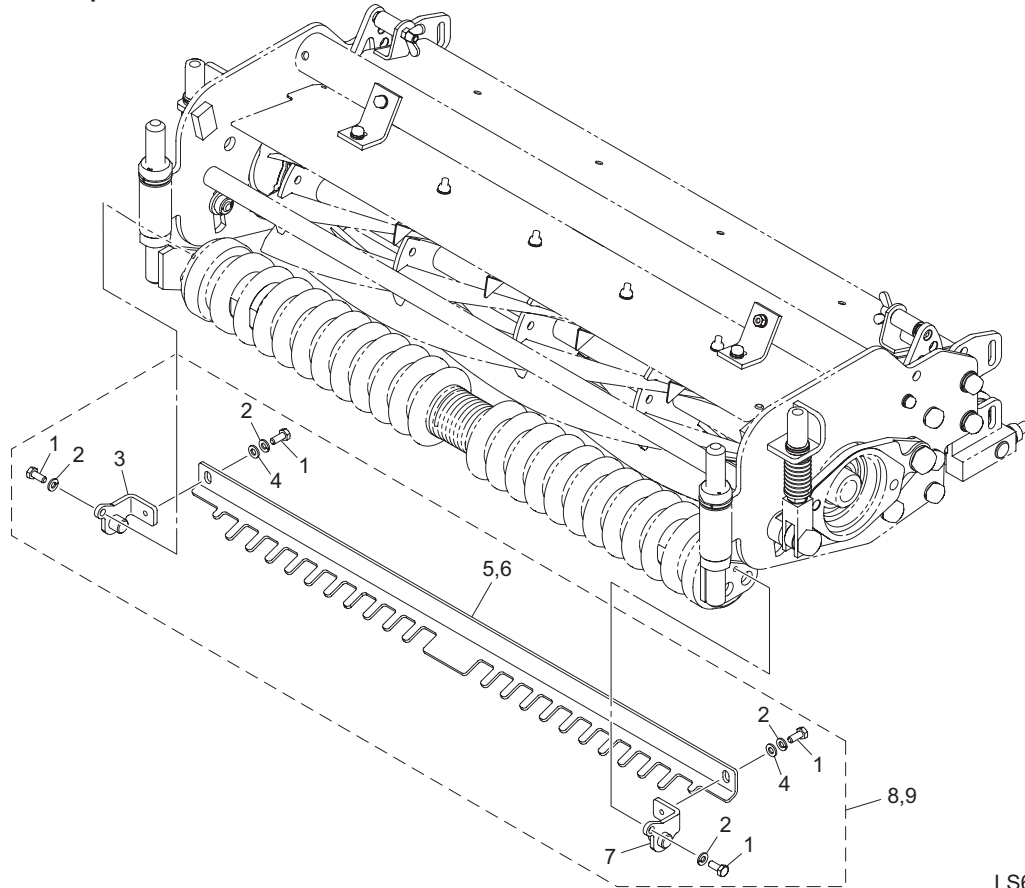


LS66_011_z02

Cat No.	Code No.	Part name	Qty		Remark	SN of application
			LS62	LS66		
11-31	K6211000492	COLLAR, SGP M6.5-10.5-26.4	2	2		
11-32	K0100060002	NUT, M6	4	4		
11-33	K0023060502	SETSCREW, M6-50	2	2		
11-34	LM2700-4123Z0	RUBBER, 8U-615	1	1		
11-35	LM2400-2405ZD	COVER, BELT	1	1		
11-36	K5000060002	WASHER, M6	2	2		
11-37	K0200060002	WASHER, SPRING M6	2	2		
11-38	LH669L-1206Z2	PLATE	1	1		
11-39	LS66---4205Z2	PLATE, DUST-PROOF	1	1		
11-40	K0890000040	CAP, RUBBER 32	1	1		

12.Front scraper section

LS62 • LS66

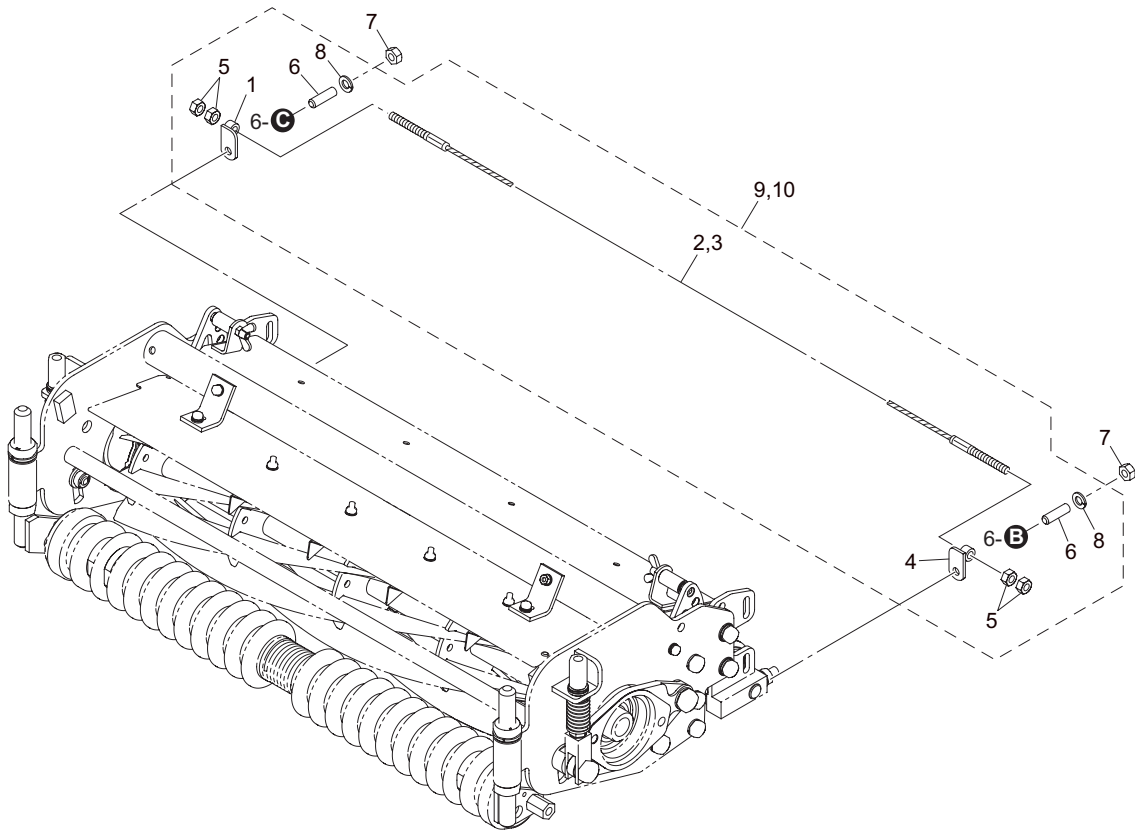


LS66_012_z02

Cat No.	Code No.	Part name	Qty		Remark	SN of application
			LS62	LS66		
12-1	K0000060152	BOLT, M6-15	4	4		
12-2	K0200060002	WASHER, SPRING M6	4	4		
12-3	LS66---4503A2	BRACKET, (RH)	1	1		
12-4	K5000060002	WASHER, M6	2	2		
12-5	LS62---4501Z2	SCRAPER, 22	1	0		
12-6	LS66---4501Z2	SCRAPER, 26	0	1		
12-7	LS66---4502A2	BRACKET, (LH)	1	1		
12-8	LS62---4510Z0	SCRAPER ASSY	1	0		
12-9	LS66---4510Z0	SCRAPER ASSY, S UNIT	0	1		

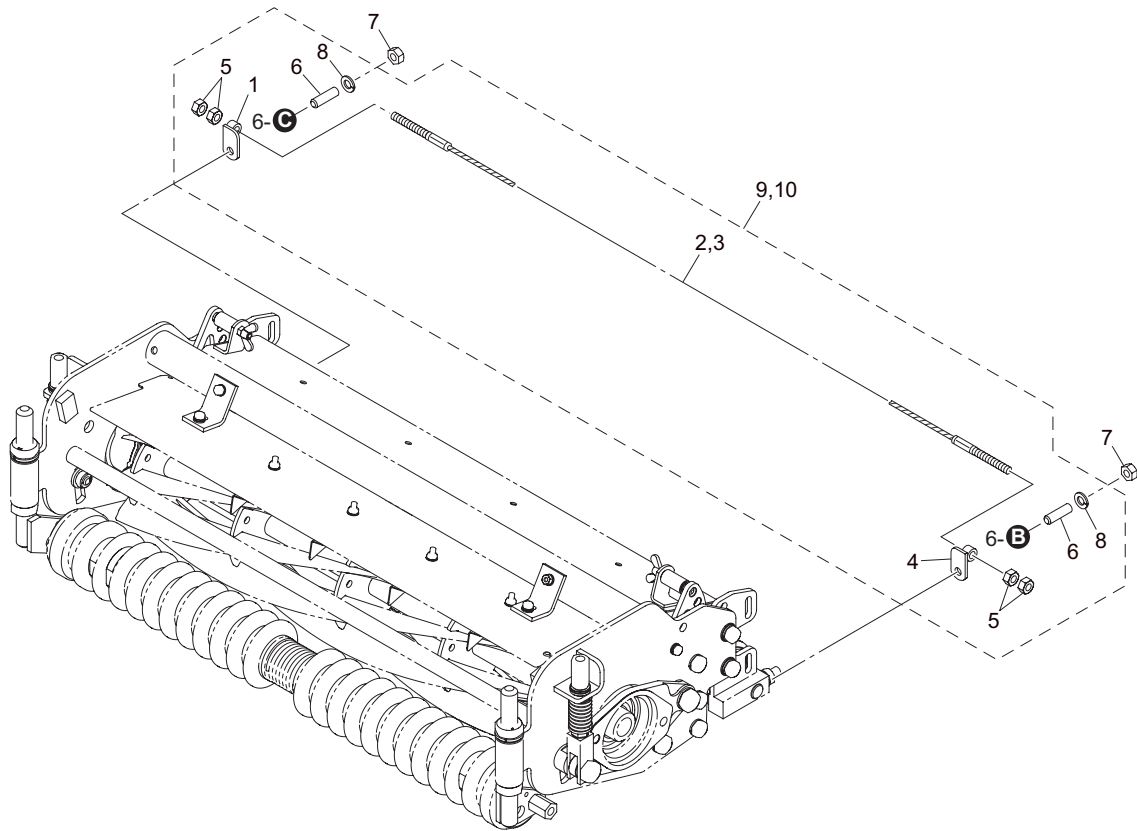
13.Rear scraper section A (wire type A)

LS62 • LS66



LS66_013_z01

Cat No.	Code No.	Part name	Qty		Remark	SN of application
			LS62	LS66		
13-1	K735500068D	BRACKET, A (RH)	1	1		
13-2	K1170071000	CABLE, 710	1	0		
13-3	K1170081000	WIRE, 810	0	1		
13-4	K735500069D	BRACKET, B (LH)	1	1		
13-5	K0100080002	NUT, M8	4	4		
13-6	K0023100351	SETSCREW, M10-35	2	2		
13-7	K0100100002	NUT, M10	2	2		
13-8	K0200100002	WASHER, SPRING M10	2	2		
13-9	LS62----4710Z0	SCRAPER ASSY, REAR	1	0		
13-10	LS66----4710Z0	SCRAPER ASSY, S UNIT (REAR)	0	1		

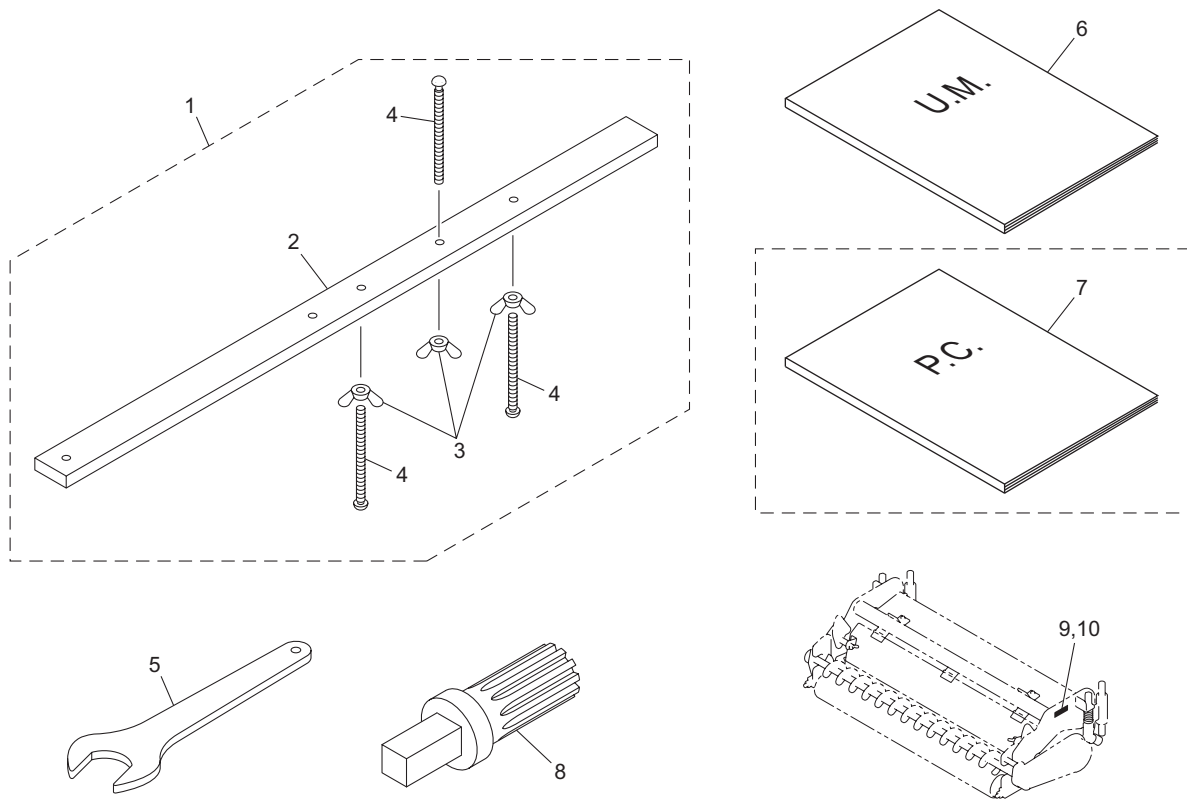


LS66_A13_z00

Cat No.	Code No.	Part name	Qty		Remark	SN of application
			LS62	LS66		
A13-1	K735500069D	BRACKET, B (LH)	1	1		
A13-2	K1170067000	CABLE, 670	1	0		
A13-3	K1170077500	CABLE, 775	0	1		
A13-4	K735500068D	BRACKET, A (RH)	1	1		
A13-5	K0100080002	NUT, M8	4	4		
A13-6	K0023100351	SETSCREW, M10-35	2	2		
A13-7	K0100100002	NUT, M10	2	2		
A13-8	K0200100002	WASHER, SPRING M10	2	2		
A13-9	LS62---4710A0	SCRAPER ASSY, REAR	1	0		10231-
A13-10	LS66---4710A0	SCRAPER ASSY, S UNIT (REAR)	0	1		11252-

14.Accessories

LS62 • LS66



LS66_014_z03

Cat No.	Code No.	Part name	Qty		Remark	SN of application
			LS62	LS66		
14-1	LM2700-1502A0	GAGE ASSY, CUTTING HEIGHT	1	1		
14-2	LM2700-1501A2	GAUGE, CUTTING HEIGHT 600A	1	1		
14-3	K0141060002	NUT, WING M6-3	1	1		
14-4	K0071000522	SCREW, FOR ADJ HOC M6-75	1	1		
14-5	K480200081D	SPANNER, SLIM SINGLE-ENDED 46	1	1		
14a-6	750101-120-A	OWNERS OPERATING MANUAL, LS62/66	1	1		
14a-7	750101-120-B	PARTS CATALOG, LS62/66	1	0	Available for sale	10231-
14a-7	750101-120-B	PARTS CATALOG, LS62/66	0	1	Available for sale	11252-
14-8	LS66---7001Z2	SHAFT, LAPPING	1	1	option	
14-9	LS62---0102Z0	DECAL, QR CODE LS62	1	0		10231-
14-10	LS66---0102Z0	DECAL, QR CODE LS66	0	1		11252-

MEMO

BARONESS[®]
Quality on Demand

 **KYOEISHA CO., LTD.**
Head Office 1-26, Miyuki-cho, Toyokawa-city, Tel :+81-533-84-1390
Aichi-pref, 442-8530 JAPAN Fax :+81-533-84-1220