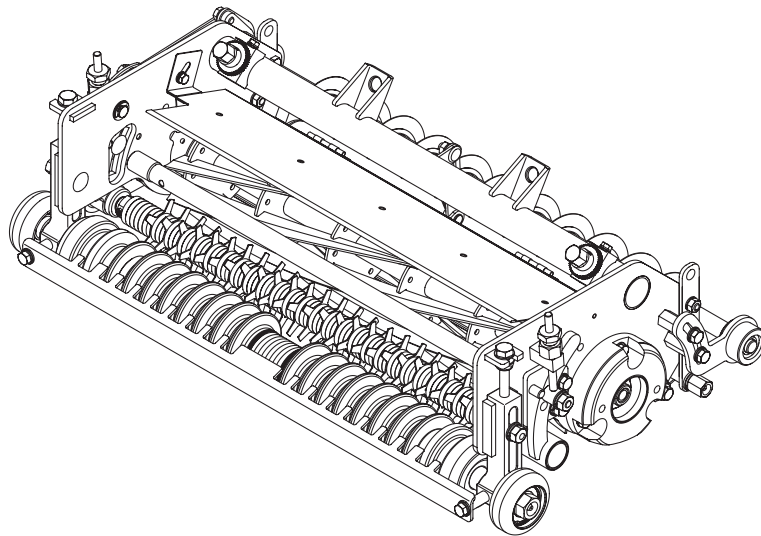


LH52

Small Diameter Mower Unit

Parts catalog



BARONESS[®]

Quality on Demand

Serial No.10001-

Ver.1.0

Greeting

Thank you for purchasing Baroness machine.

This machine has been shipped from the factory after comprehensive test runs and inspections. However, the optimum performance of the machine depends on how you use and maintain it, including routine inspections, adjustments, and fuel supplies before and after the operation.

We hope you will use the machine safely, and take advantage of its best performance.

Note

(For inquiry about this machine)

Since the type of machine may be changed sequentially, inform us of the type and the serial number.

The information described in this manual is subject to change without prior notice.

When replacing parts, be sure to use Baroness parts or parts designated by Kyo-eisha.

Note that the Baroness product warranty may not apply to defects caused by the use of parts from other companies.

(For ordering parts)

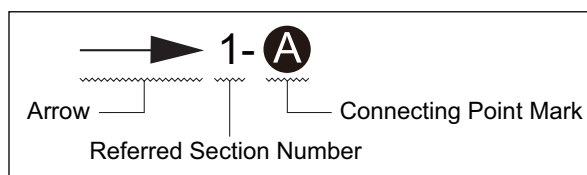
For prevention of delivery of wrong parts, be sure to inform us of the code number and the part name.

| Example: | Code No. | Part Name | Qty |
|----------|-------------|--------------------|-----|
| | K0200100002 | WASHER, SPRING M10 | 8 |

<Indication of the connecting point shown on the other page>

(Example and description)

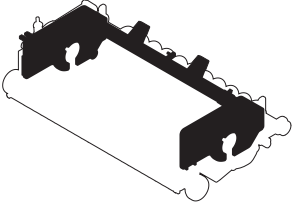
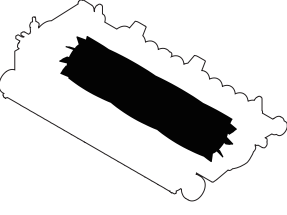
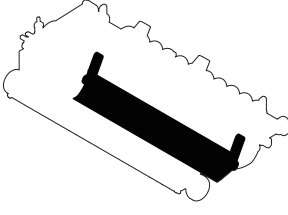
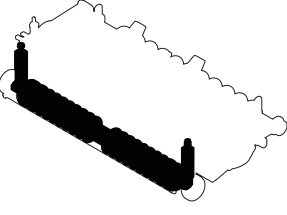
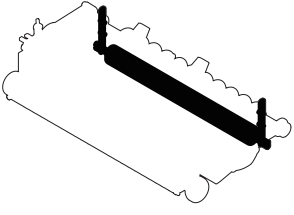
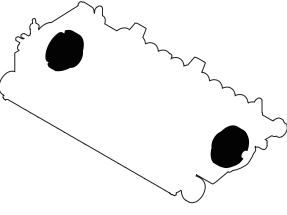
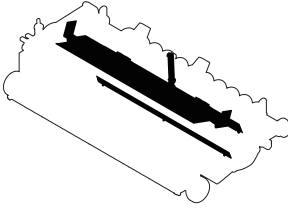
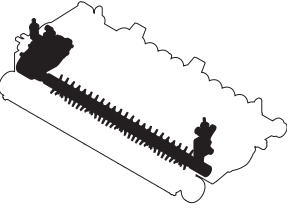
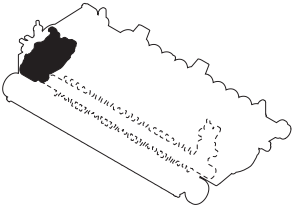
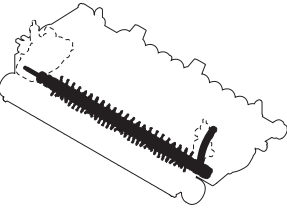
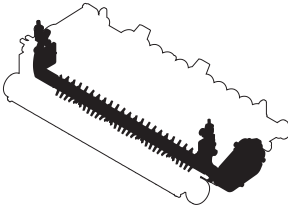
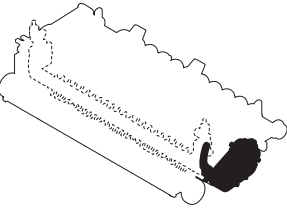
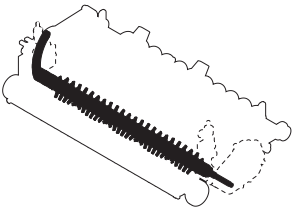
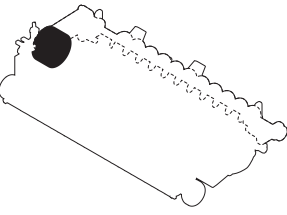
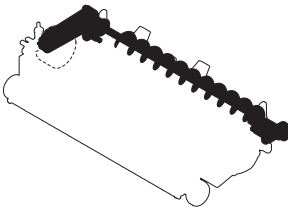
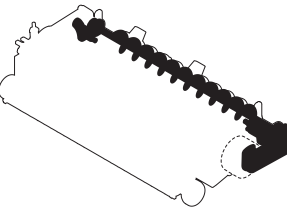
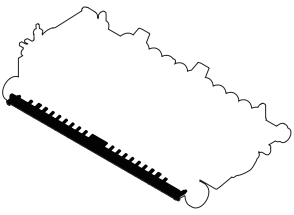
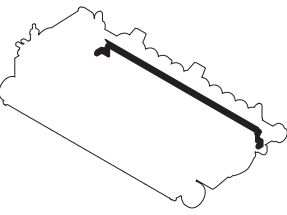
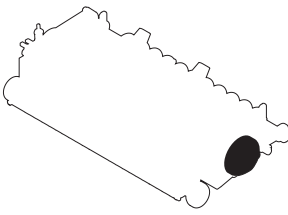
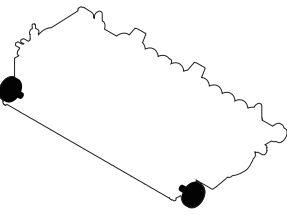
The following indication shows the connecting point of the part shown on the other page.



→ 1- **A** : Refer to the point **A** in the illustration of the section No.1

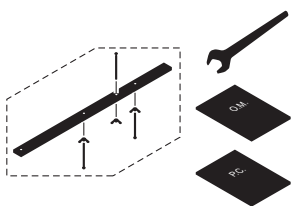
→ 2- **B** : Refer to the point **B** in the illustration of the section No.2

Contents

| | | | |
|---|--|--|--|
| <p>1.Frame section.....3</p>  | <p>2.Reel cutter section.....4</p>  | <p>3.Bed knife section5</p>  | <p>4.Front roller section.....6</p>  |
| <p>5.Rear roller section7</p>  | <p>6.Housing section8</p>  | <p>7.Reel cover section9</p>  | <p>8.Groomer section A (motor on left side).....10</p>  |
| <p>9.Groomer section B (motor on left side).....11</p>  | <p>10.Groomer section C (motor on left side).....13</p>  | <p>11.Groomer section D (motor on right side)14</p>  | <p>12.Groomer section E (motor on right side)15</p>  |
| <p>13.Groomer section F (motor on right side)17</p>  | <p>14.CR brush section A (motor on left side • right side)18</p>  | <p>15. CR brush section B (motor on left side).....19</p>  | <p>16.CR brush section C (motor on right side)21</p>  |
| <p>17.Front scraper section23</p>  | <p>18.Rear scraper section24</p>  | <p>19.Weight section25</p>  | <p>20.Support roller section26</p>  |

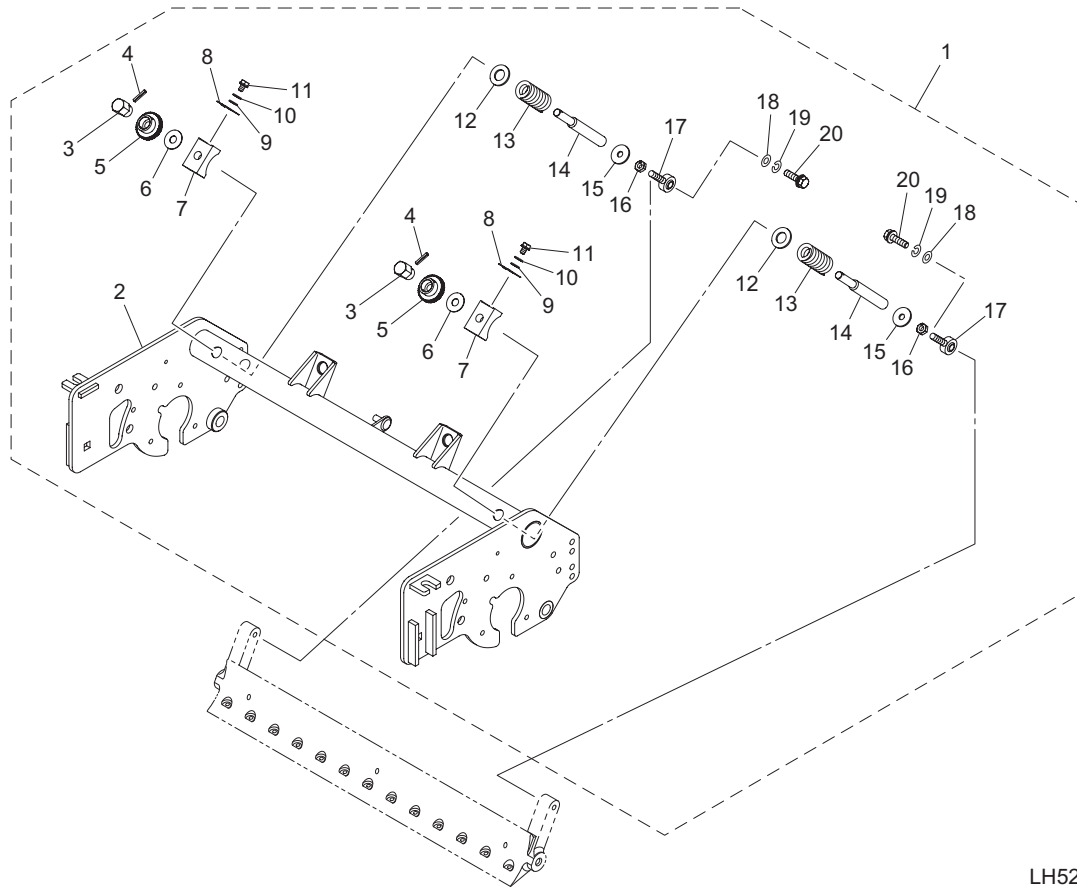
21. Accessory tool section

.....27



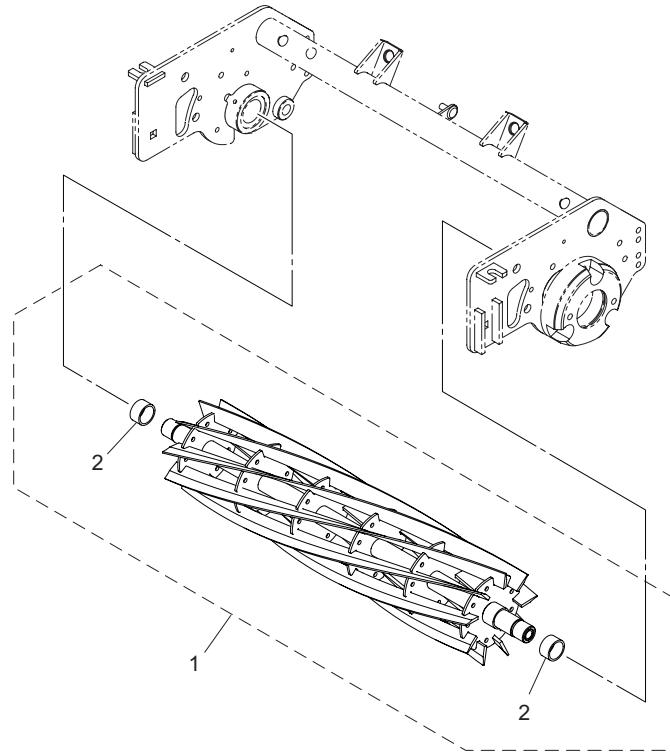
1.Frame section

LH52



LH52_001_z00

| Cat No. | Code No. | Part name | Qty | Remark | SN of application |
|---------|---------------|-------------------------------|-----|--------|-------------------|
| 1-1 | LH52---0110Z0 | FRAME ASSY, MOWER | 1 | | |
| 1-2 | LH52---0101ZR | FRAME | 1 | | |
| 1-3 | LH52---0104Z2 | NUT, ADJUSTMENT | 2 | | |
| 1-4 | K0320040201 | PIN, SPRING M4-20 | 2 | | |
| 1-5 | LH52---0105Z2 | ADJUSTER, KNIFE 50 | 2 | | |
| 1-6 | K5051010260 | WASHER, C5191P 1-10-26 | 2 | | |
| 1-7 | LH52---0103Z2 | MOUNT | 2 | | |
| 1-8 | LH52---0106Z8 | SPRING, ALIGNING CUTTING EDGE | 2 | | |
| 1-9 | K5000060002 | WASHER, M6 | 2 | | |
| 1-10 | K0200060002 | WASHER, SPRING M6 | 2 | | |
| 1-11 | K0000060102 | BOLT, M6-10 | 2 | | |
| 1-12 | K5000140002 | WASHER, M14 | 2 | | |
| 1-13 | K1000000458 | SPRING, COMPRESSION M5-25-60 | 2 | | |
| 1-14 | LH52---0102Z2 | SHAFT, ADJUSING BLADES | 2 | | |
| 1-15 | K5012308262 | WASHER, SPCC 2.3-8-26 | 2 | | |
| 1-16 | K0102080002 | NUT, M8-3 | 2 | | |
| 1-17 | K1602080000 | JOINT, SPHERICAL POS8 | 2 | | |
| 1-18 | K5000080002 | WASHER, M8 | 2 | | |
| 1-19 | K0200080002 | WASHER, SPRING M8 | 2 | | |
| 1-20 | K0000080302 | BOLT, M8-30 | 2 | | |
| | | | | | |
| | | | | | |

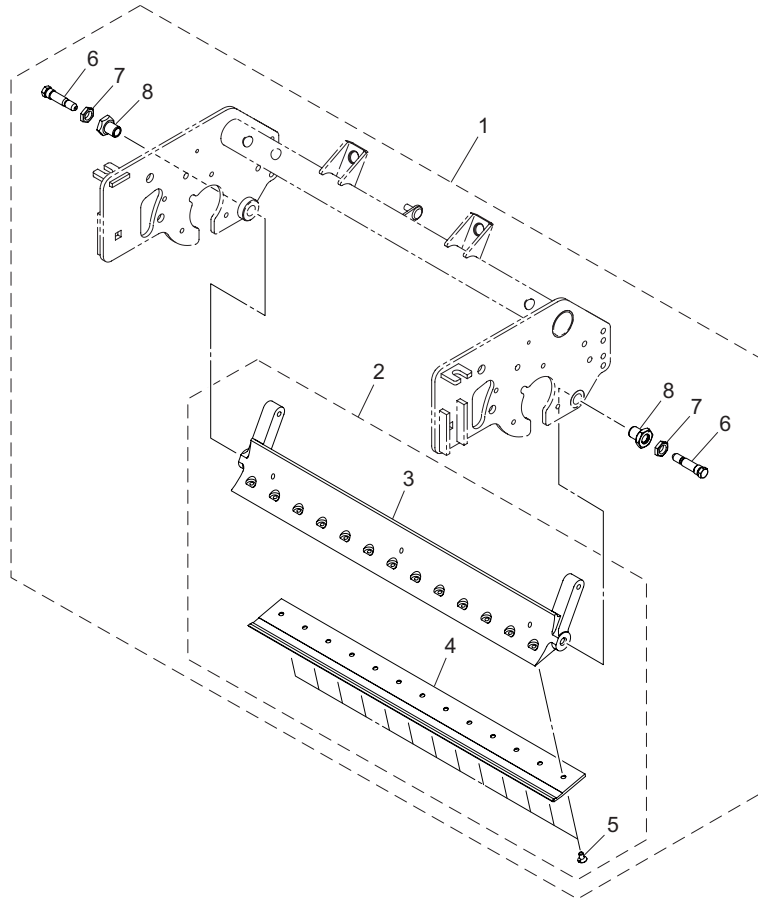


LH52_002_z00

| Cat No. | Code No. | Part name | Qty | Remark | SN of application |
|---------|---------------|------------------------|-----|----------|-------------------|
| 2-1 | LH529--0201Z0 | REEL CUTTER ASSY | 1 | 9-blade | |
| 2a-1 | LH527--0201Z0 | REEL CUTTER ASSY | 1 | 7-blade | |
| 2b-1 | LH521--0201Z0 | REEL CUTTER ASSY | 1 | 11-blade | |
| 2-2 | K0737000100 | INNER RACE, LRTZ253016 | 2 | | |
| | | | | | |
| | | | | | |
| | | | | | |
| | | | | | |
| | | | | | |
| | | | | | |
| | | | | | |

3.Bed knife section

LH52

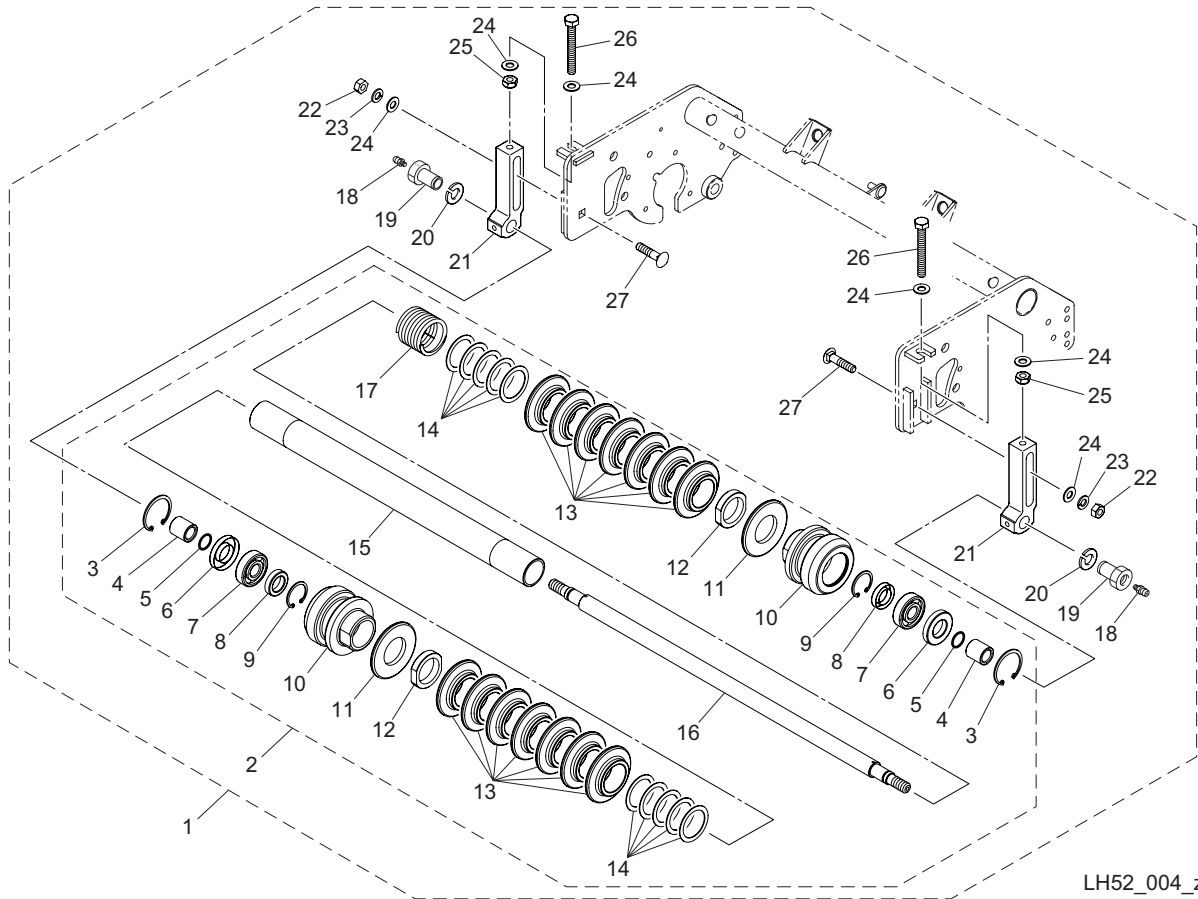


LH52_003_z00

| Cat No. | Code No. | Part name | Qty | Remark | SN of application |
|---------|---------------|-------------------------------------|-----|--------|-------------------|
| 3-1 | LH52---1310Z0 | BEDKNIFE ASSY | 1 | | |
| 3-2 | LH52---1302Z0 | BEDKNIFE & BASE ASSY | 1 | | |
| 3-3 | LH52---1301ZR | BASE, BED KNIFE | 1 | | |
| 3-4 | K2510000160 | BEDKNIFE, 5-62.5-559 | 1 | | |
| 3-5 | K0071000222 | SCREW, HT + FLAT HEAD M6-12 | 13 | | |
| 3-6 | K6082000010 | BOLT, SUS STEPPED FOR FIXING CUTTER | 2 | | |
| 3-7 | K0160000112 | NUT, LOCKING | 2 | | |
| 3-8 | K6010000010 | BUSH, STEPPED | 2 | | |
| | | | | | |
| | | | | | |
| | | | | | |
| | | | | | |
| | | | | | |
| | | | | | |

4.Front roller section

LH52

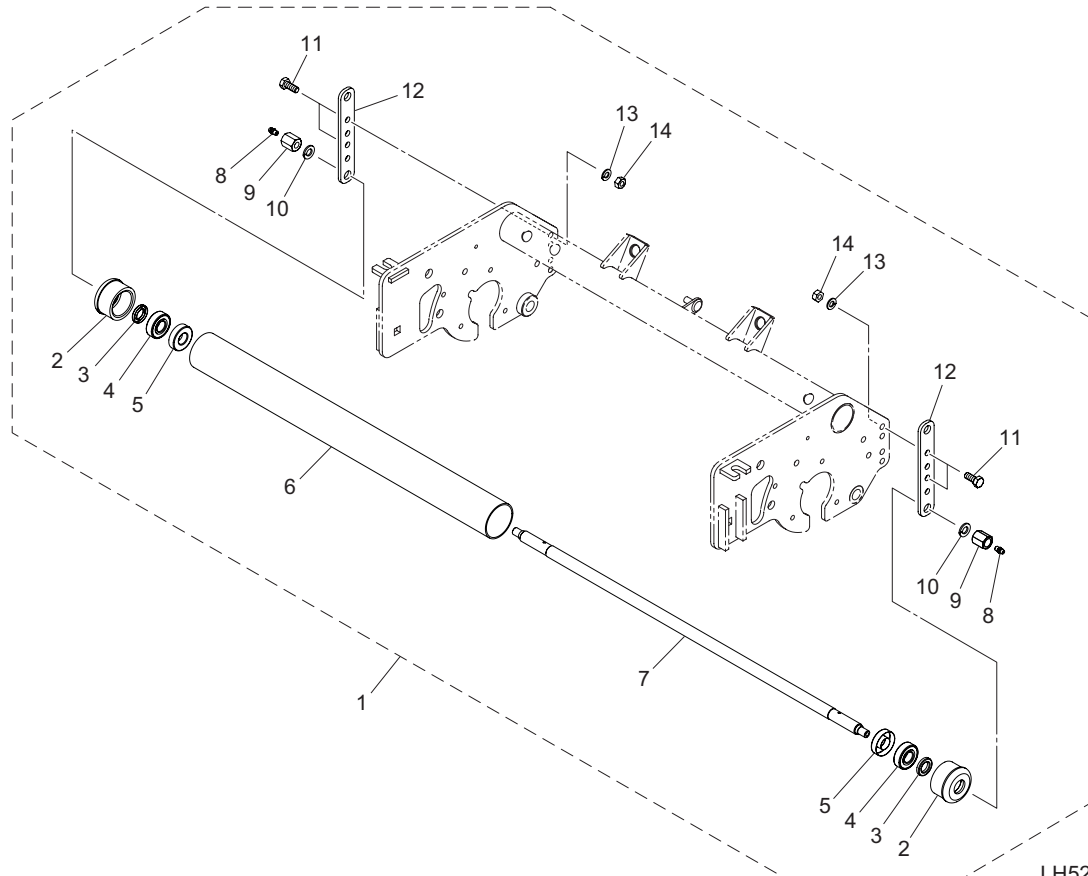


LH52_004_z00

| Cat No. | Code No. | Part name | Qty | Remark | SN of application |
|---------|---------------|--------------------------------|-----|--------|-------------------|
| 4-1 | LH52---0610Z0 | ROLLER ASSY, FRONT | 1 | | |
| 4-2 | LH52---0603Z0 | ROLLER ASSY, 22 | 1 | | |
| 4-3 | K0402047001 | RING, RETAINING R M47 | 2 | | |
| 4-4 | K6219000600 | COLLAR, SUS M17-25-27 | 2 | | |
| 4-5 | K0885015000 | O-RING, S15 | 2 | | |
| 4-6 | K0822547080 | OIL SEAL, MHS A25478 | 2 | | |
| 4-7 | K0600063030 | BEARING, BALL 6303 | 2 | | |
| 4-8 | K0822235080 | OIL SEAL, MHS A22358 | 2 | | |
| 4-9 | K0402035001 | RING, RETAINING R M35 | 2 | | |
| 4-10 | LH6690-0601ZD | HOUSING, ROLLER | 2 | | |
| 4-11 | K510100061D | PLATE, ROUND 80 | 2 | | |
| 4-12 | K016000062D | NUT, M40 | 2 | | |
| 4-13 | K5920000120 | ROLLER, PLASTIC 80 | 14 | | |
| 4-14 | K5011040522 | WASHER, SPCC 1-40-52 | 10 | | |
| 4-15 | LM2700-2109Z2 | PIPE, ROLLER 34.2-40504.7 | 1 | | |
| 4-16 | LM2700-2107Z0 | SHAFT, ROLLER 646.5 | 1 | | |
| 4-17 | K100000073D | SPRING, COMPRESSION M5-51-75 | 1 | | |
| 4-18 | K1440000010 | GREASE NIPPLE, STRAIGHT TYPE A | 2 | | |
| 4-19 | LH52---0602Z2 | NUT | 2 | | |
| 4-20 | K0200180002 | WASHER, SPRING M18 | 2 | | |
| 4-21 | LH52---0601Z2 | BRACKET, FRONT ROLLER | 2 | | |
| 4-22 | K0100100002 | NUT, M10 | 2 | | |
| 4-23 | K0200100002 | WASHER, SPRING M10 | 2 | | |
| 4-24 | K5000100002 | WASHER, M10 | 4 | | |
| 4-25 | K0144100002 | NUT, W/F-RING M10 | 2 | | |
| 4-26 | K0000100802 | BOLT, M10-80 | 2 | | |
| 4-27 | K0025100452 | BOLT,CARRIAGE M10-45 | 2 | | |

5.Rear roller section

LH52

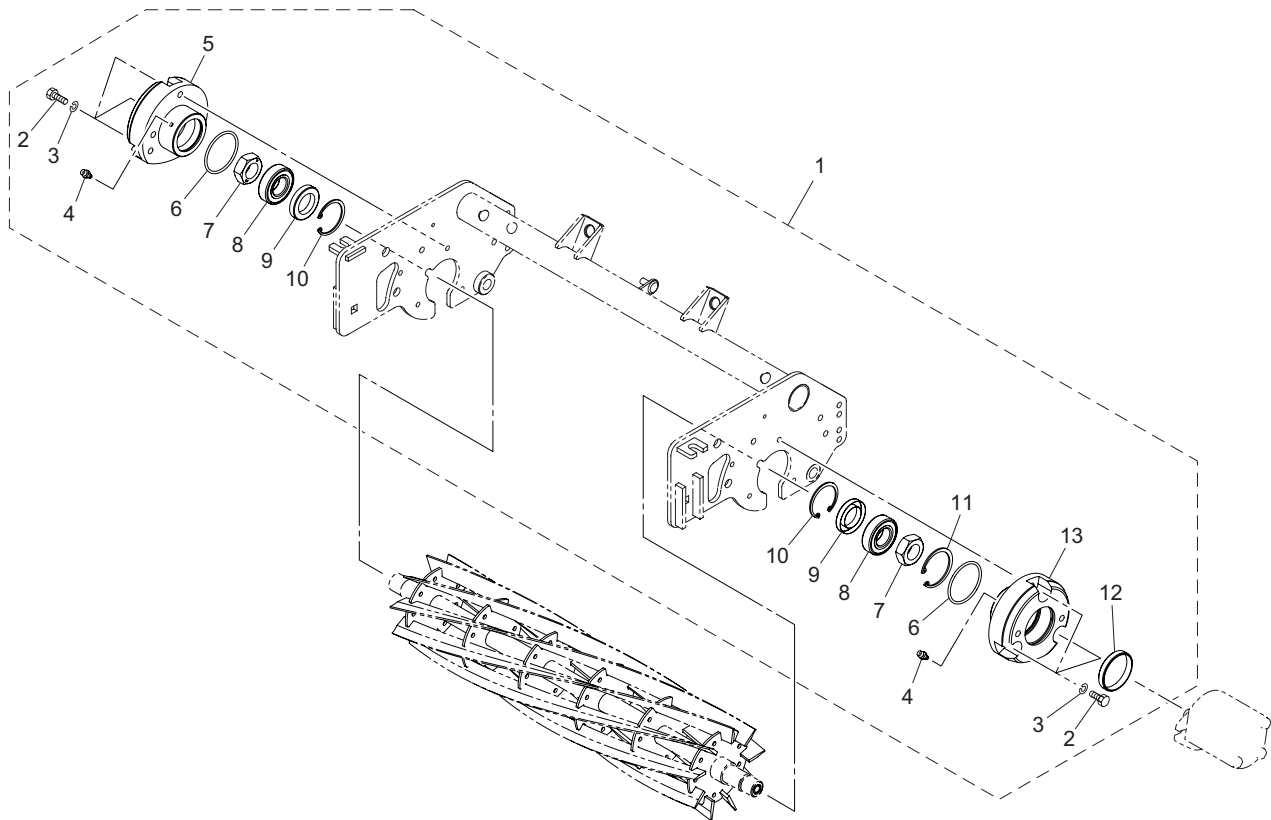


LH52_005_z00

| Cat No. | Code No. | Part name | Qty | Remark | SN of application |
|---------|---------------|--------------------------------|-----|--------|-------------------|
| 5-1 | LH52---0710Z0 | ROLLER ASSY, REAR | 1 | | |
| 5-2 | LM150GA1363D0 | HOUSING, ROLLER | 2 | | |
| 5-3 | K0801525040 | OIL SEAL, MH15254 | 2 | | |
| 5-4 | K0616062020 | BEARING, BALL SEAL 2NSEC3 6202 | 2 | | |
| 5-5 | K0811635090 | OIL SEAL, HMS16359 | 2 | | |
| 5-6 | LM150GA1365AD | ROLLER, REAR | 1 | | |
| 5-7 | LH52---0703Z0 | SHAFT, REAR ROLLER | 1 | | |
| 5-8 | K1440000010 | GREASE NIPPLE, STRAIGHT TYPE A | 2 | | |
| 5-9 | LH52---0702Z2 | NUT | 2 | | |
| 5-10 | K0200100002 | WASHER, SPRING M10 | 2 | | |
| 5-11 | K0010080202 | BOLT, HT M8-20 | 4 | | |
| 5-12 | LH52---0701Z2 | BRACKET, REAR ROLLER | 2 | | |
| 5-13 | K0200080002 | WASHER, SPRING M8 | 4 | | |
| 5-14 | K0100080002 | NUT, M8 | 4 | | |
| | | | | | |
| | | | | | |
| | | | | | |
| | | | | | |

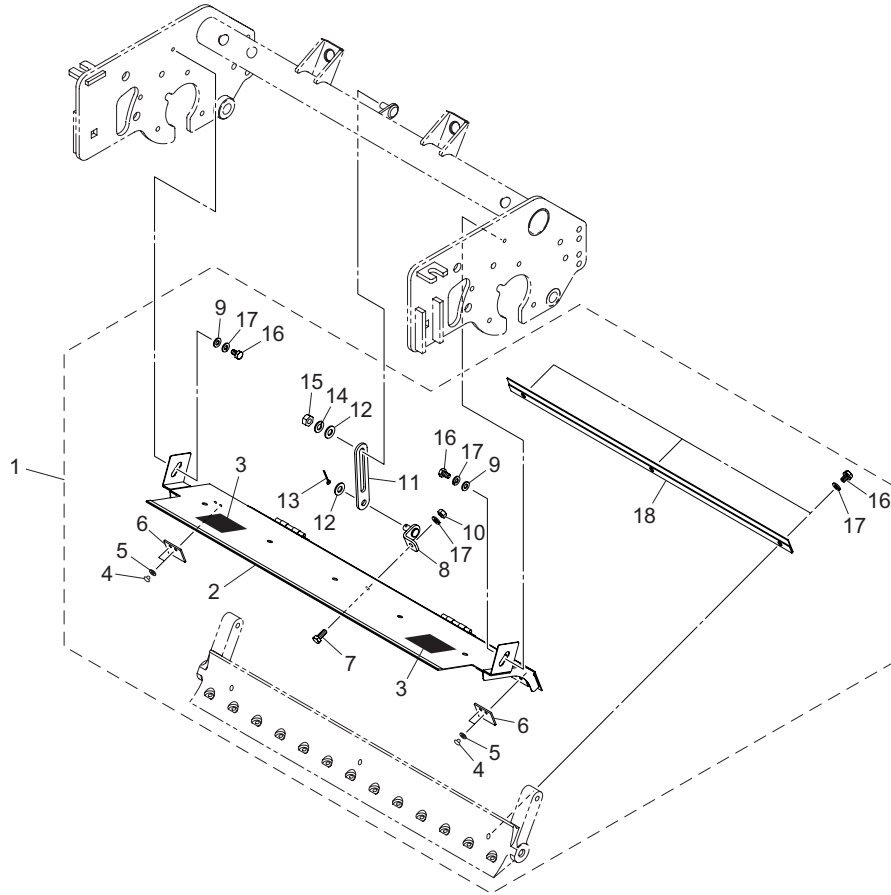
6.Housing section

LH52



LH52_006_z00

| Cat No. | Code No. | Part name | Qty | Remark | SN of application |
|---------|---------------|--------------------------------|-----|--------|-------------------|
| 6-1 | LH52---0410Z0 | HOUSING ASSY, REEL | 1 | | |
| 6-2 | K0000080202 | BOLT, M8-20 | 6 | | |
| 6-3 | K0200080002 | WASHER, SPRING M8 | 6 | | |
| 6-4 | K1440000010 | GREASE NIPPLE, STRAIGHT TYPE A | 2 | | |
| 6-5 | LH52---0401Z2 | HOUSING, REEL G | 1 | | |
| 6-6 | K0882055000 | O-RING, G55 | 2 | | |
| 6-7 | K0108240002 | NUT, P1.5 M24-3 | 2 | | |
| 6-8 | K0606062050 | BEARING, BALL SEAL RS 6205 | 2 | | |
| 6-9 | K0823047080 | OIL SEAL, MHSA30478 | 2 | | |
| 6-10 | K0402047001 | RING, RETAINING R M47 | 2 | | |
| 6-11 | K0402052001 | RING, RETAINING R M52 | 1 | | |
| 6-12 | LH52---0403Z2 | COLLAR | 1 | | |
| 6-13 | LH52---0402Z2 | HOUSING, REEL M | 1 | | |
| | | | | | |
| | | | | | |
| | | | | | |
| | | | | | |

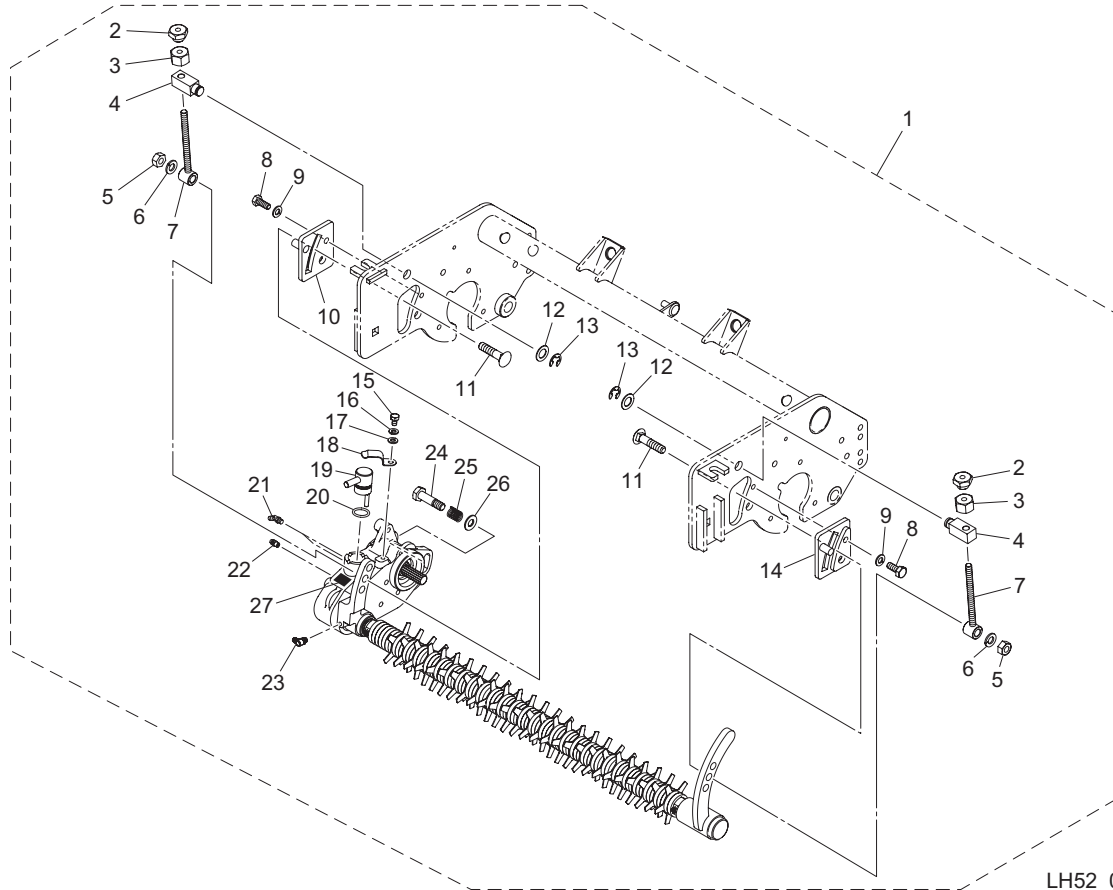


LH52_007_z00

| Cat No. | Code No. | Part name | Qty | Remark | SN of application |
|---------|---------------|------------------------------|-----|--------|-------------------|
| 7-1 | LH52---2510Z0 | COVER ASSY, REEL | 1 | | |
| 7-2 | LH52---2511Z0 | COVER COMP, REEL | 1 | | |
| 7-3 | K4205001600 | DECAL, CAUTION TO MUTILATION | 2 | | |
| 7-4 | K4510615120 | RIVET, BLIND AVEX 1661-0512 | 4 | | |
| 7-5 | K5000050002 | WASHER, M5 | 4 | | |
| 7-6 | LH52---2503Z0 | PLATE, RUBBER | 2 | | |
| 7-7 | K0000060152 | BOLT, M6-15 | 1 | | |
| 7-8 | LH52---2502ZR | PLATE, MOUNTING | 1 | | |
| 7-9 | K5000060002 | WASHER, M6 | 3 | | |
| 7-10 | K0100060002 | NUT, M6 | 1 | | |
| 7-11 | LH52---2504ZR | PLATE, STEEL | 1 | | |
| 7-12 | K5000080002 | WASHER, M8 | 2 | | |
| 7-13 | K0300025202 | PIN, COTTER M2.5-20 | 1 | | |
| 7-14 | K0200080002 | WASHER, SPRING M8 | 1 | | |
| 7-15 | K0100080002 | NUT, M8 | 1 | | |
| 7-16 | K0000060102 | BOLT, M6-10 | 5 | | |
| 7-17 | K0200060002 | WASHER, SPRING M6 | 6 | | |
| 7-18 | LM56GB-0521ZR | CRAMPER, REEL COVER | 1 | | |
| | | | | | |
| | | | | | |

8.Groomer section A (motor on left side)

LH52

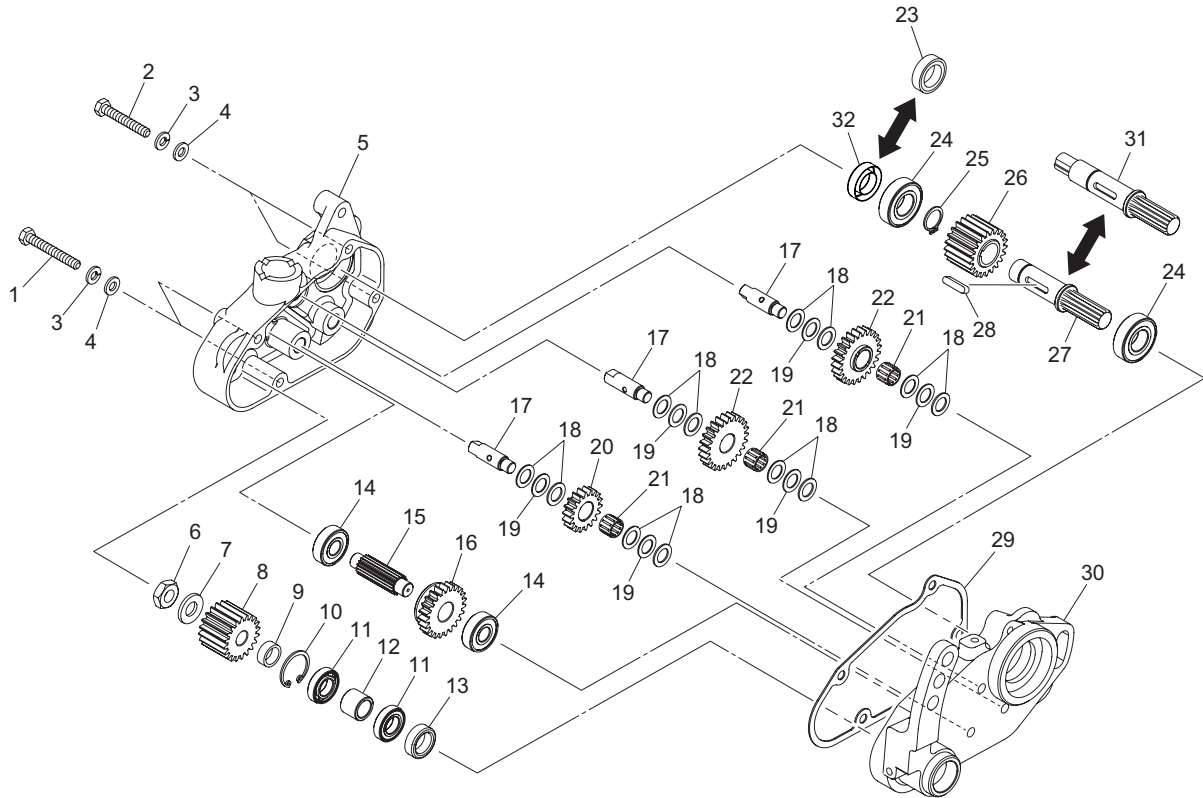


LH52_008_z00

| Cat No. | Code No. | Part name | Qty | Remark | SN of application |
|---------|---------------|----------------------------------|-----|------------------------|-------------------|
| 8-1 | LH52L--4121Z0 | GROOMER ASSY, (RH) | 1 | for Groomer | |
| 8a-1 | LH52L--4310R0 | GROOMER ASSY, W/CR-BRUSH (RH) | 1 | for Groomer + CR brush | |
| 8-2 | LM56G--1216Z2 | NUT, SPECIAL B M8 | 2 | | |
| 8-3 | LM56G--1215Z2 | NUT, SPECIAL A M8 | 2 | | |
| 8-4 | LH52L--4112Z2 | ADJUSTER | 2 | | |
| 8-5 | K0100100002 | NUT, M10 | 2 | | |
| 8-6 | K0200100002 | WASHER, SPRING M10 | 2 | | |
| 8-7 | LH52L--4113Z2 | SCREW, ADJUSTING | 2 | | |
| 8-8 | K0000080202 | BOLT, M8-20 | 2 | | |
| 8-9 | K0200080002 | WASHER, SPRING M8 | 2 | | |
| 8-10 | LH52L--4111ZR | GUIDE, (RH) | 1 | | |
| 8-11 | K0025100452 | BOLT,CARRIAGE M10-45 | 2 | | |
| 8-12 | K5011013222 | WASHER, SPCC 1-13-22 | 2 | | |
| 8-13 | K0400010002 | RING, RETAINING E M10 | 2 | | |
| 8-14 | LH52L--4110ZR | GUIDE, (LH) | 1 | | |
| 8-15 | K0000060102 | BOLT, M6-10 | 1 | | |
| 8-16 | K0200060002 | WASHER, SPRING M6 | 1 | | |
| 8-17 | K5000060002 | WASHER, M6 | 1 | | |
| 8-18 | K1090000058 | SPRING, CLUTCH RETAINER | 1 | | |
| 8-19 | LH52L--4107Z8 | LEVER, CLUTCH (RH) | 1 | | |
| 8-20 | K0880018000 | O-RING, P18 | 1 | | |
| 8-21 | K1440000030 | GREASE NIPPLE, 67.5 DEG TYPE B | 2 | | |
| 8-22 | K1440000010 | GREASE NIPPLE, STRAIGHT TYPE A | 1 | | |
| 8-23 | K1440000020 | GREASE NIPPLE, 90 DEG TYPE C | 1 | | |
| 8-24 | LH52L--4108Z2 | BOLT, SECURING CASE | 1 | | |
| 8-25 | K1000000309 | SPRING, COMPRESSION M1.6-13.7-20 | 1 | | |
| 8-26 | K5000100002 | WASHER, M10 | 1 | | |
| 8-27 | K4203001120 | STICKER, GROOMER INDICATION | 1 | | |

9.Groomer section B (motor on left side)

LH52

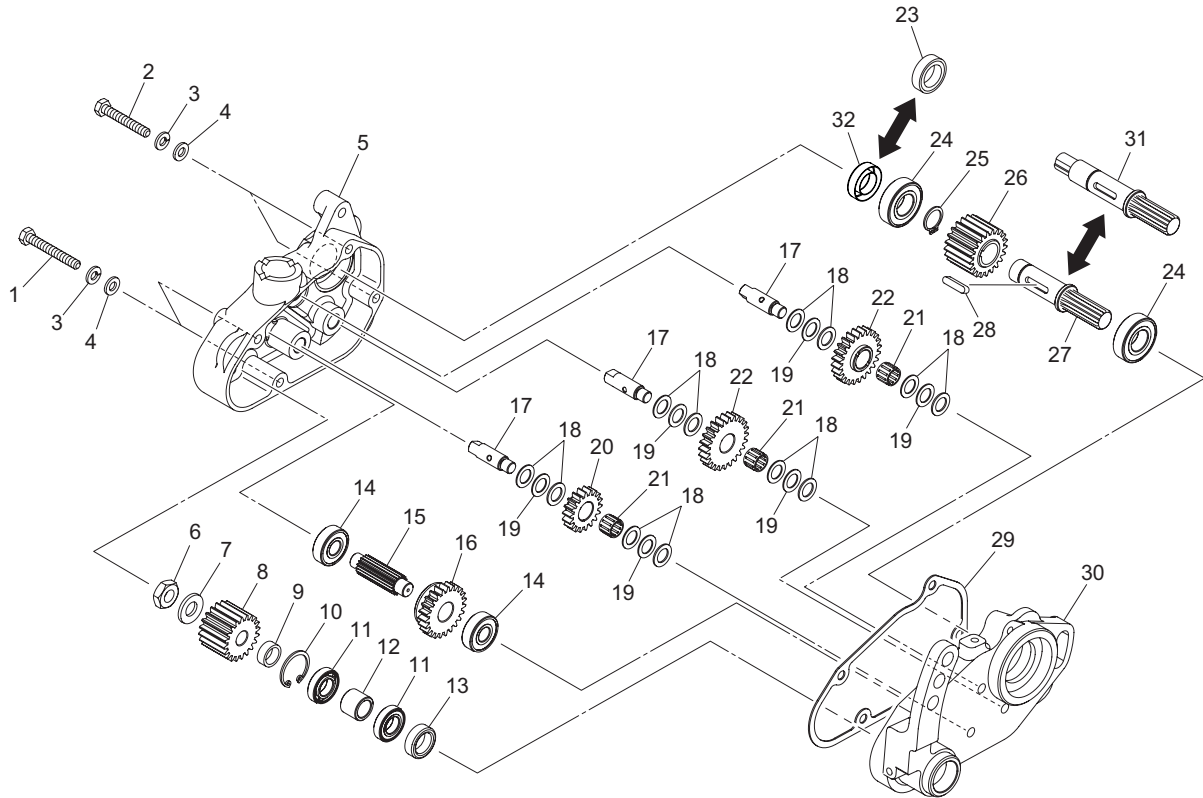


LH52_009_z00

| Cat No. | Code No. | Part name | Qty | Remark | SN of application |
|---------|---------------|------------------------------|-----|------------------------|-------------------|
| 9-1 | K0000060452 | BOLT, M6-45 | 2 | | |
| 9-2 | K0000060402 | BOLT, M6-40 | 2 | | |
| 9-3 | K0200060002 | WASHER, SPRING M6 | 4 | | |
| 9-4 | K5000060002 | WASHER, M6 | 4 | | |
| 9-5 | LH52L--4102Z0 | COVER, GEARCASE (RH) | 1 | | |
| 9-6 | K0160000322 | NUT, LEFT-HANDED P1 M10 | 1 | | |
| 9-7 | K0213100002 | WASHER, DISK SPRING H M10-1 | 1 | | |
| 9-8 | K6180000160 | GEAR, SPLINED 20-TEETH | 1 | | |
| 9-9 | K6212001910 | COLLAR, STKM M12.1-17-6 | 1 | | |
| 9-10 | K0402024001 | RING, RETAINING R M24 | 1 | | |
| 9-11 | K0611069010 | BEARING, BALL SEAL RDC3 6901 | 2 | | |
| 9-12 | K6212001590 | COLLAR, STKM M12.1-17-14 | 1 | | |
| 9-13 | K0821522070 | OIL SEAL, MHSA15227 | 1 | | |
| 9-14 | K0608060000 | BEARING, BALL SEAL 2RS 6000 | 2 | | |
| 9-15 | K6100000100 | SHAFT, CLUTCH | 1 | | |
| 9-16 | K6180000150 | GEAR, SPLINED 23-TEETH | 1 | | |
| 9-17 | K6120000310 | COUNTERSHAFT, THREADED | 3 | | |
| 9-18 | K5051010160 | WASHER, C5191P 1-10-16 | 12 | | |
| 9-19 | K5020810160 | WASHER, NBS55 0.8-10-16 | 6 | | |
| 9-20 | K6186000040 | GEAR, 18-TEETH B | 1 | | |
| 9-21 | K0701013100 | BEARING, NEEDLE KT101310EGB2 | 3 | | |
| 9-22 | K6186000050 | GEAR, 24-TEETH | 2 | | |
| 9-23 | K0821525070 | OIL SEAL, MHSA15257 | 1 | for Groomer + CR brush | |
| 9-24 | K0612060020 | BEARING, BALL SEAL 2RD 6002 | 2 | | |
| 9-25 | K0401015001 | RING, RETAINING S M15 | 1 | | |
| 9-26 | LH52L--4104Z0 | GEAR, 21-TEETH | 1 | | |
| 9-27 | LH52L--4101Z0 | SHAFT, SPLINE | 1 | for Groomer | |
| 9-28 | K0500404180 | KEY, BOTH ROUND M4-418 | 1 | | |
| 9-29 | LH52L--4105Z0 | PACKING | 1 | | |
| 9-30 | LH52L--4103Z0 | CASE, GROOMER (RH) | 1 | | |

9.Groomer section B (motor on left side)

LH52

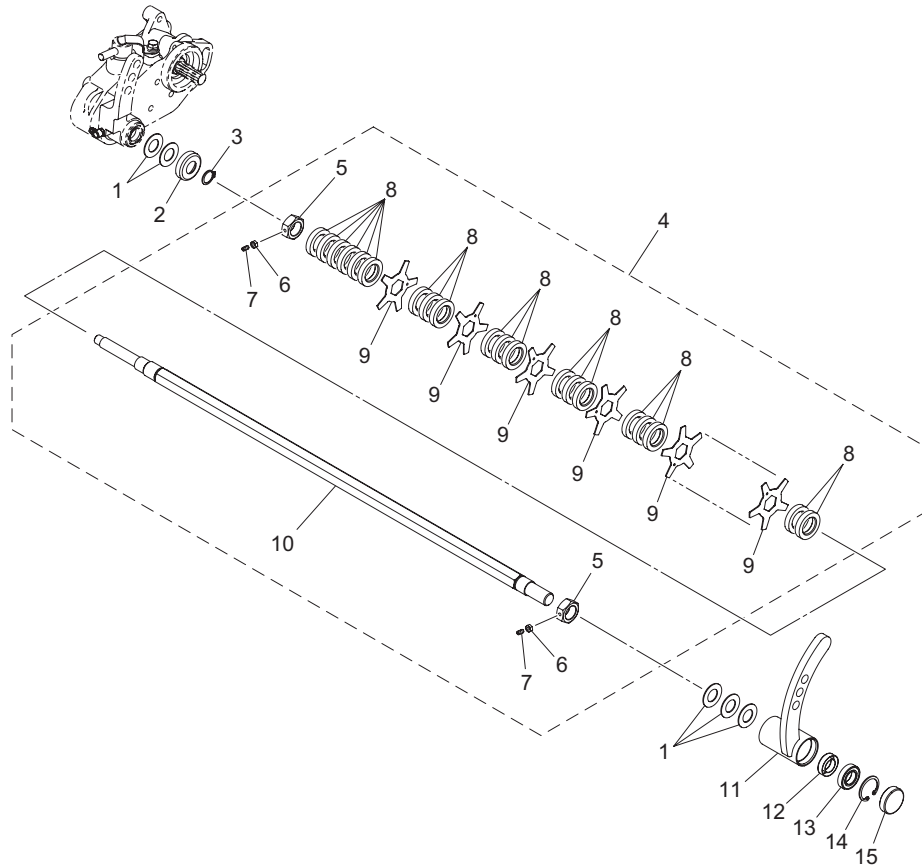


LH52_009_z00

| Cat No. | Code No. | Part name | Qty | Remark | SN of application |
|---------|---------------|----------------|-----|------------------------|-------------------|
| 9-31 | LH52L--4205Z0 | SHAFT, SPLINE | 1 | for Groomer + CR brush | |
| 9-32 | K0890000030 | CAP, RUBBER 25 | 1 | for Groomer | |
| | | | | | |
| | | | | | |
| | | | | | |
| | | | | | |
| | | | | | |
| | | | | | |
| | | | | | |
| | | | | | |

10.Groomer section C (motor on left side)

LH52

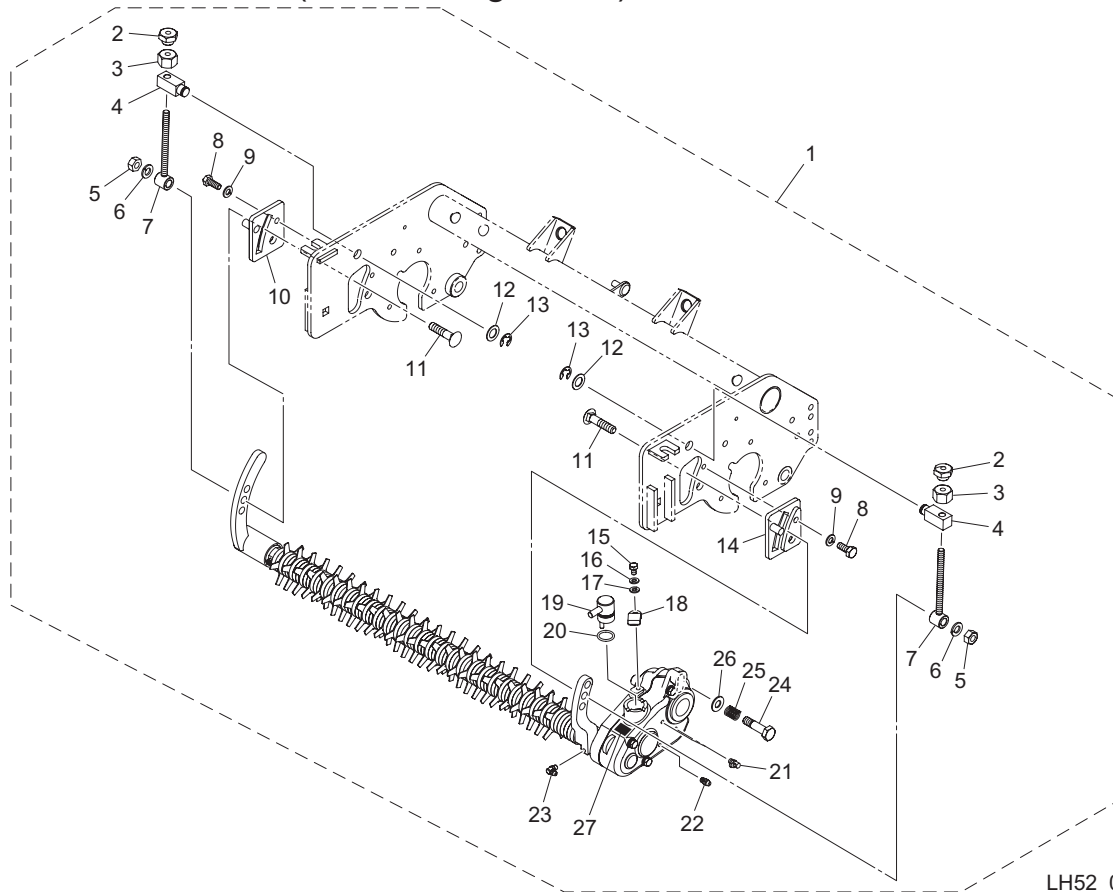


LH52_010_z00

| Cat No. | Code No. | Part name | Qty | Remark | SN of application |
|---------|---------------|-----------------------------|-----|--------|-------------------|
| 10-1 | K5051015280 | WASHER, C5191P 1-15-28 | 5 | | |
| 10-2 | K5300000293 | COVER, DUST PROOF | 1 | | |
| 10-3 | K0401015001 | RING, RETAINING S M15 | 1 | | |
| 10-4 | LH52L--4120Z0 | GROOMER COMP | 1 | | |
| 10-5 | K0160000602 | NUT, SPECIAL P1 M17 W/M4 | 2 | | |
| 10-6 | K0100040002 | NUT, M4 | 2 | | |
| 10-7 | K0023000041 | SETSCREW, M4-8 | 2 | | |
| 10-8 | K6214000030 | COLLAR, AC M19.7-32-6.1 | 87 | | |
| 10-9 | K2570000099 | BLADE, VERTICAL 63-1 | 27 | | |
| 10-10 | LH52L--4109Z8 | SHAFT, GROOMER | 1 | | |
| 10-11 | LH52L--4106ZR | HOUSING, GROOMER (LH) | 1 | | |
| 10-12 | K0821525070 | OIL SEAL, MHSA15257 | 1 | | |
| 10-13 | K0608069020 | BEARING, BALL SEAL 2RS 6902 | 1 | | |
| 10-14 | K0402028001 | RING, RETAINING R M28 | 1 | | |
| 10-15 | K0890000060 | CAP, RUBBER 30 | 1 | | |
| | | | | | |
| | | | | | |
| | | | | | |

11.Groomer section D (motor on right side)

LH52

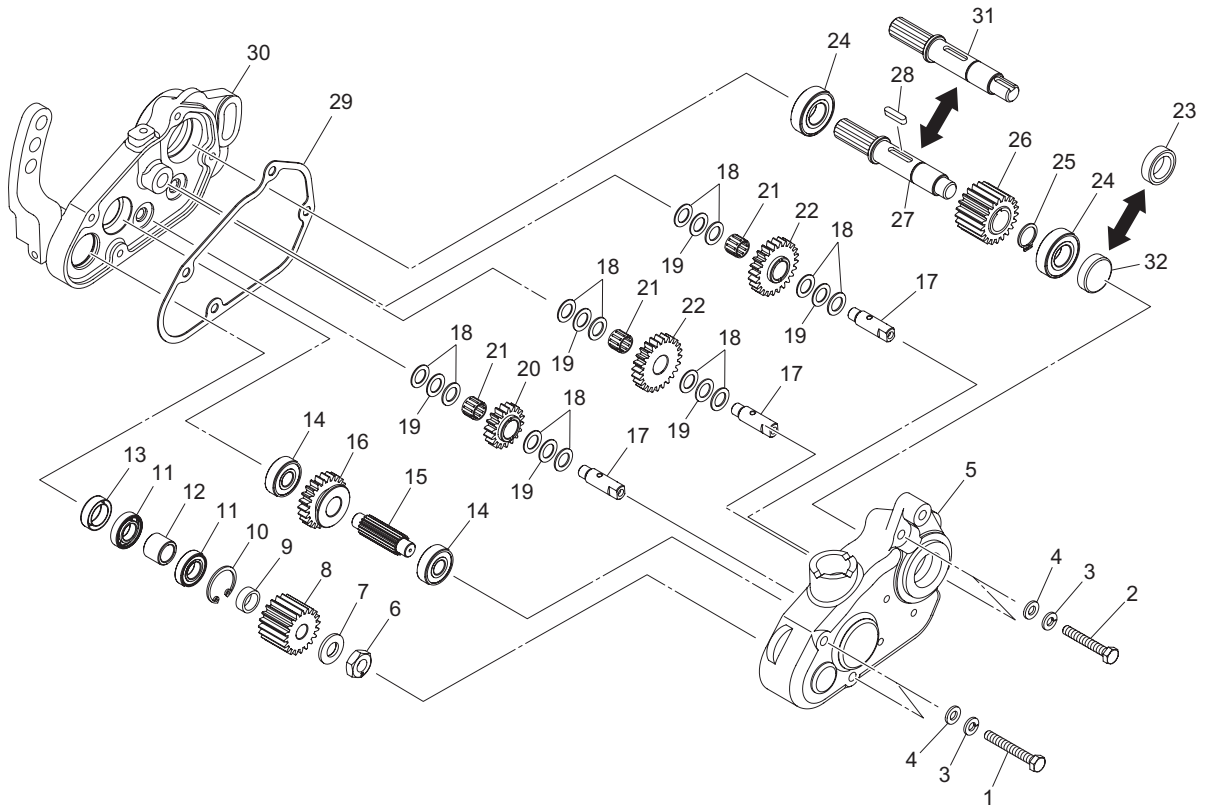


LH52_011_z00

| Cat No. | Code No. | Part name | Qty | Remark | SN of application |
|---------|---------------|----------------------------------|-----|------------------------|-------------------|
| 11-1 | LH52R--4110Z0 | GROOMER ASSY, (LH) | 1 | for Groomer | |
| 11a-1 | LH52R--4310R0 | GROOMER ASSY, W/CR-BRUSH (LH) | 1 | for Groomer + CR brush | |
| 11-2 | LM56G--1216Z2 | NUT, SPECIAL B M8 | 2 | | |
| 11-3 | LM56G--1215Z2 | NUT, SPECIAL A M8 | 2 | | |
| 11-4 | LH52L--4112Z2 | ADJUSTER | 2 | | |
| 11-5 | K0100100002 | NUT, M10 | 2 | | |
| 11-6 | K0200100002 | WASHER, SPRING M10 | 2 | | |
| 11-7 | LH52L--4113Z2 | SCREW, ADJUSTING | 2 | | |
| 11-8 | K0000080202 | BOLT, M8-20 | 2 | | |
| 11-9 | K0200080002 | WASHER, SPRING M8 | 2 | | |
| 11-10 | LH52L--4111ZR | GUIDE, (RH) | 1 | | |
| 11-11 | K0025100452 | BOLT,CARRIAGE M10-45 | 2 | | |
| 11-12 | K5011013222 | WASHER, SPCC 1-13-22 | 2 | | |
| 11-13 | K0400010002 | RING, RETAINING E M10 | 2 | | |
| 11-14 | LH52L--4110ZR | GUIDE, (LH) | 1 | | |
| 11-15 | K0000060102 | BOLT, M6-10 | 1 | | |
| 11-16 | K0200060002 | WASHER, SPRING M6 | 1 | | |
| 11-17 | K5000060002 | WASHER, M6 | 1 | | |
| 11-18 | K1090000058 | SPRING, CLUTCH RETAINER | 1 | | |
| 11-19 | LH52R--4104Z8 | LEVER, CLUTCH (L H) | 1 | | |
| 11-20 | K0880018000 | O-RING, P18 | 1 | | |
| 11-21 | K1440000030 | GREASE NIPPLE, 67.5 DEG TYPE B | 2 | | |
| 11-22 | K1440000010 | GREASE NIPPLE, STRAIGHT TYPE A | 1 | | |
| 11-23 | K1440000020 | GREASE NIPPLE, 90 DEG TYPE C | 1 | | |
| 11-24 | LH52L--4108Z2 | BOLT, SECURING CASE | 1 | | |
| 11-25 | K1000000309 | SPRING, COMPRESSION M1.6-13.7-20 | 1 | | |
| 11-26 | K5000100002 | WASHER, M10 | 1 | | |
| 11-27 | K4203001680 | LABEL, INDICATION GROOMER | 1 | | |

12.Groomer section E (motor on right side)

LH52

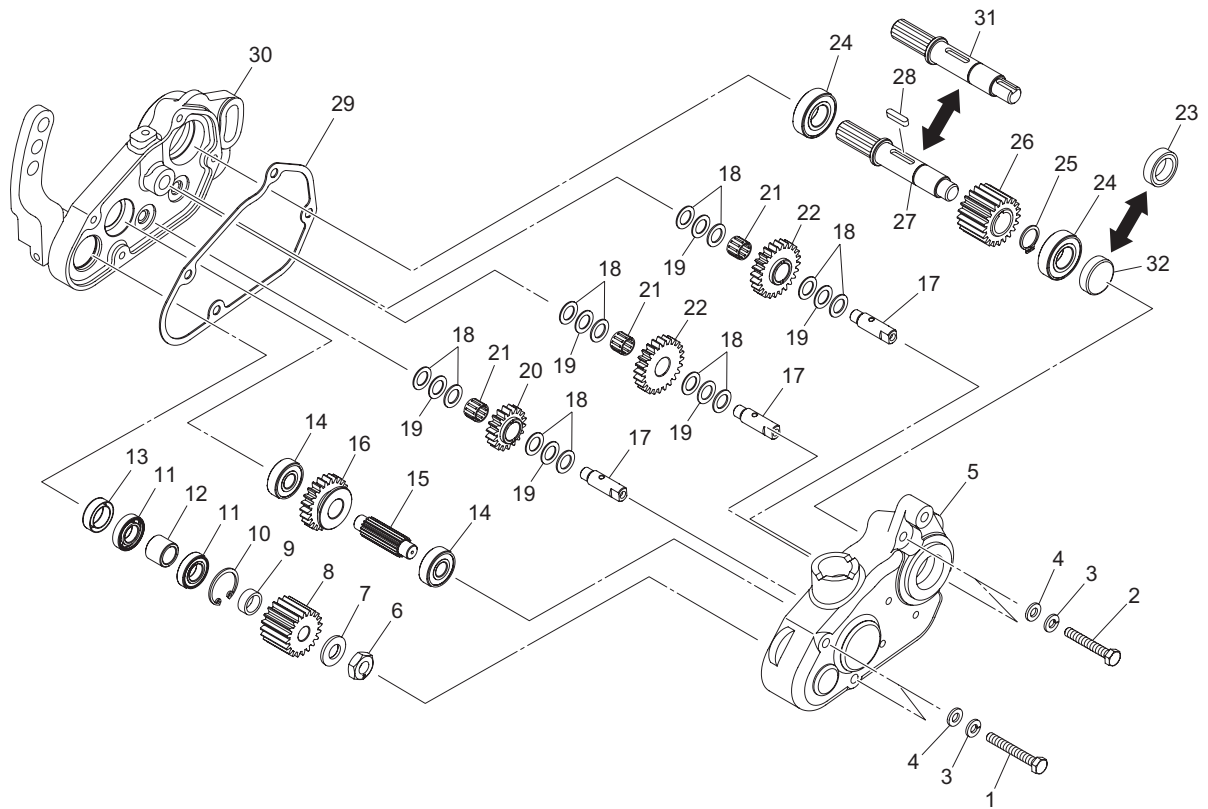


LH52_012_z00

| Cat No. | Code No. | Part name | Qty | Remark | SN of application |
|---------|---------------|------------------------------|-----|------------------------|-------------------|
| 12-1 | K0000060452 | BOLT, M6-45 | 2 | | |
| 12-2 | K0000060402 | BOLT, M6-40 | 2 | | |
| 12-3 | K0200060002 | WASHER, SPRING M6 | 4 | | |
| 12-4 | K5000060002 | WASHER, M6 | 4 | | |
| 12-5 | LH52R--4101Z0 | COVER, GEARCASE (LH) | 1 | | |
| 12-6 | K0160000322 | NUT, LEFT-HANDED P1 M10 | 1 | | |
| 12-7 | K0213100002 | WASHER, DISK SPRING H M10-1 | 1 | | |
| 12-8 | K6180000160 | GEAR, SPLINED 20-TEETH | 1 | | |
| 12-9 | K6212001910 | COLLAR, STKM M12.1-17-6 | 1 | | |
| 12-10 | K0402024001 | RING, RETAINING R M24 | 1 | | |
| 12-11 | K0611069010 | BEARING, BALL SEAL RDC3 6901 | 2 | | |
| 12-12 | K6212001590 | COLLAR, STKM M12.1-17-14 | 1 | | |
| 12-13 | K0821522070 | OIL SEAL, MHSA15227 | 1 | | |
| 12-14 | K0608060000 | BEARING, BALL SEAL 2RS 6000 | 2 | | |
| 12-15 | K6100000100 | SHAFT, CLUTCH | 1 | | |
| 12-16 | K6180000150 | GEAR, SPLINED 23-TEETH | 1 | | |
| 12-17 | K6120000310 | COUNTERSHAFT, THREADED | 3 | | |
| 12-18 | K5051010160 | WASHER, C5191P 1-10-16 | 12 | | |
| 12-19 | K5020810160 | WASHER, NBS55 0.8-10-16 | 6 | | |
| 12-20 | K6186000040 | GEAR, 18-TEETH B | 1 | | |
| 12-21 | K0701013100 | BEARING, NEEDLE KT101310EGB2 | 3 | | |
| 12-22 | K6186000050 | GEAR, 24-TEETH | 2 | | |
| 12-23 | K0821525070 | OIL SEAL, MHSA15257 | 1 | for Groomer + CR brush | |
| 12-24 | K0612060020 | BEARING, BALL SEAL 2RD 6002 | 2 | | |
| 12-25 | K0401015001 | RING, RETAINING S M15 | 1 | | |
| 12-26 | LH52L--4104Z0 | GEAR, 21-TEETH | 1 | | |
| 12-27 | LH52L--4101Z0 | SHAFT, SPLINE | 1 | for Groomer | |
| 12-28 | K0500404180 | KEY, BOTH ROUND M4-418 | 1 | | |
| 12-29 | LH52L--4105Z0 | PACKING | 1 | | |
| 12-30 | LH52R--4105Z0 | CASE, GROOMER (LH) | 1 | | |

12.Groomer section E (motor on right side)

LH52

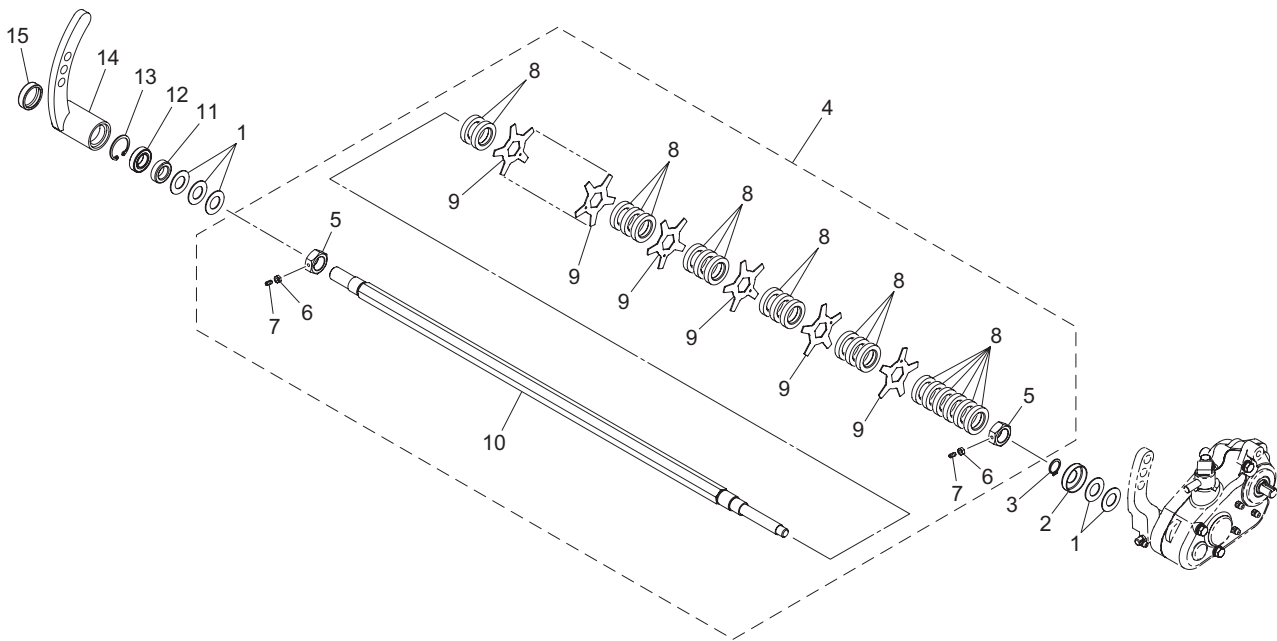


LH52_012_z00

| Cat No. | Code No. | Part name | Qty | Remark | SN of application |
|---------|---------------|----------------|-----|------------------------|-------------------|
| 12-31 | LH52L--4205Z0 | SHAFT, SPLINE | 1 | for Groomer + CR brush | |
| 12-32 | K0890000030 | CAP, RUBBER 25 | 1 | for Groomer | |
| | | | | | |
| | | | | | |
| | | | | | |
| | | | | | |
| | | | | | |
| | | | | | |
| | | | | | |
| | | | | | |

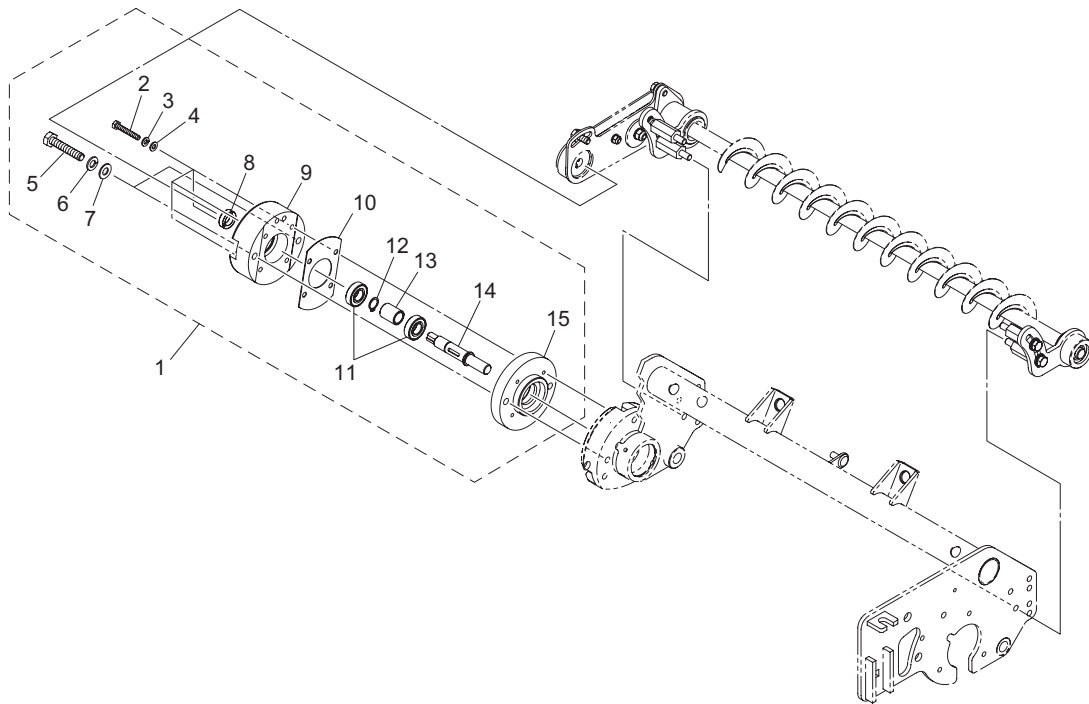
13.Groomer section F (motor on right side)

LH52



LH52_013_z00

| Cat No. | Code No. | Part name | Qty | Remark | SN of application |
|---------|---------------|-----------------------------|-----|--------|-------------------|
| 13-1 | K5051015280 | WASHER, C5191P 1-15-28 | 5 | | |
| 13-2 | K5300000293 | COVER, DUST PROOF | 1 | | |
| 13-3 | K0401015001 | RING, RETAINING S M15 | 1 | | |
| 13-4 | LH52L--4120Z0 | GROOMER COMP | 1 | | |
| 13-5 | K0160000602 | NUT, SPECIAL P1 M17 W/M4 | 2 | | |
| 13-6 | K0100040002 | NUT, M4 | 2 | | |
| 13-7 | K0023000041 | SETSCREW, M4-8 | 2 | | |
| 13-8 | K6214000030 | COLLAR, AC M19.7-32-6.1 | 87 | | |
| 13-9 | K2570000099 | BLADE, VERTICAL 63-1 | 27 | | |
| 13-10 | LH52L--4109Z8 | SHAFT, GROOMER | 1 | | |
| 13-11 | K0821525070 | OIL SEAL, MHSA15257 | 1 | | |
| 13-12 | K0608069020 | BEARING, BALL SEAL 2RS 6902 | 1 | | |
| 13-13 | K0402028001 | RING, RETAINING R M28 | 1 | | |
| 13-14 | LH52R--4103ZR | HOUSING, GROOMER (RH) | 1 | | |
| 13-15 | K0890000060 | CAP, RUBBER 30 | 1 | | |
| | | | | | |
| | | | | | |
| | | | | | |

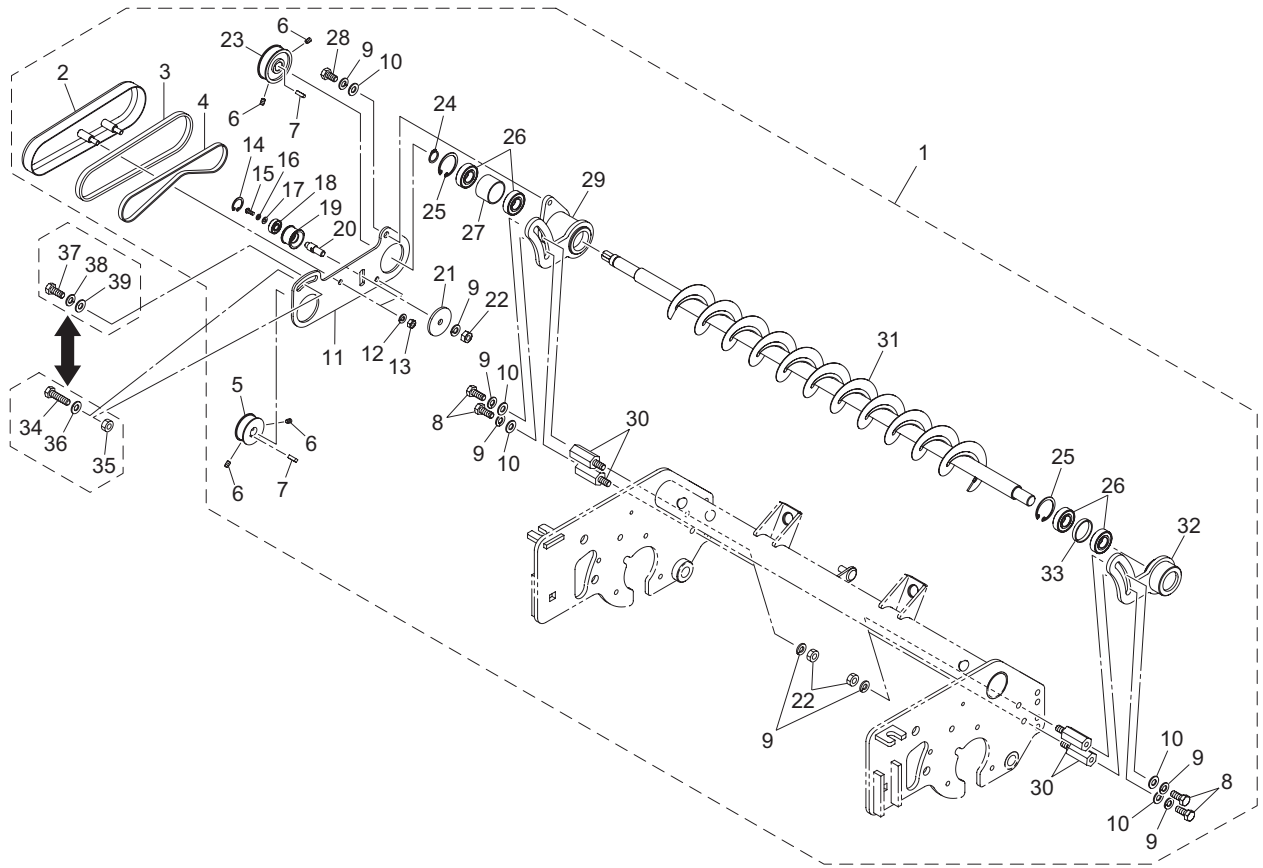


LH52_014_z00

| Cat No. | Code No. | Part name | Qty | Remark | SN of application |
|---------|---------------|-----------------------------|-----|--------|-------------------|
| 14-1 | LH52L--4221Z0 | GEARCASE ASSY, CR BRUSH | 1 | | |
| 14-2 | K0000060402 | BOLT, M6-40 | 4 | | |
| 14-3 | K0200060002 | WASHER, SPRING M6 | 4 | | |
| 14-4 | K5000060002 | WASHER, M6 | 4 | | |
| 14-5 | K0000100552 | BOLT, M10-55 | 2 | | |
| 14-6 | K0200100002 | WASHER, SPRING M10 | 2 | | |
| 14-7 | K5000100002 | WASHER, M10 | 2 | | |
| 14-8 | K0821525070 | OIL SEAL, MHSA15257 | 1 | | |
| 14-9 | LH52L--4202Z0 | COVER, GEARCASE CR BRUSH | 1 | | |
| 14-10 | LH52L--4204Z0 | PACKING | 1 | | |
| 14-11 | K0612060020 | BEARING, BALL SEAL 2RD 6002 | 2 | | |
| 14-12 | K0401015001 | RING, RETAINING S M15 | 1 | | |
| 14-13 | LH52L--4203Z0 | COLLAR | 1 | | |
| 14-14 | LH52L--4205Z0 | SHAFT, SPLINE | 1 | | |
| 14-15 | LH52L--4201Z0 | GEARCASE, CR BRUSH | 1 | | |
| | | | | | |
| | | | | | |
| | | | | | |

15.CR brush section B (motor on left side)

LH52

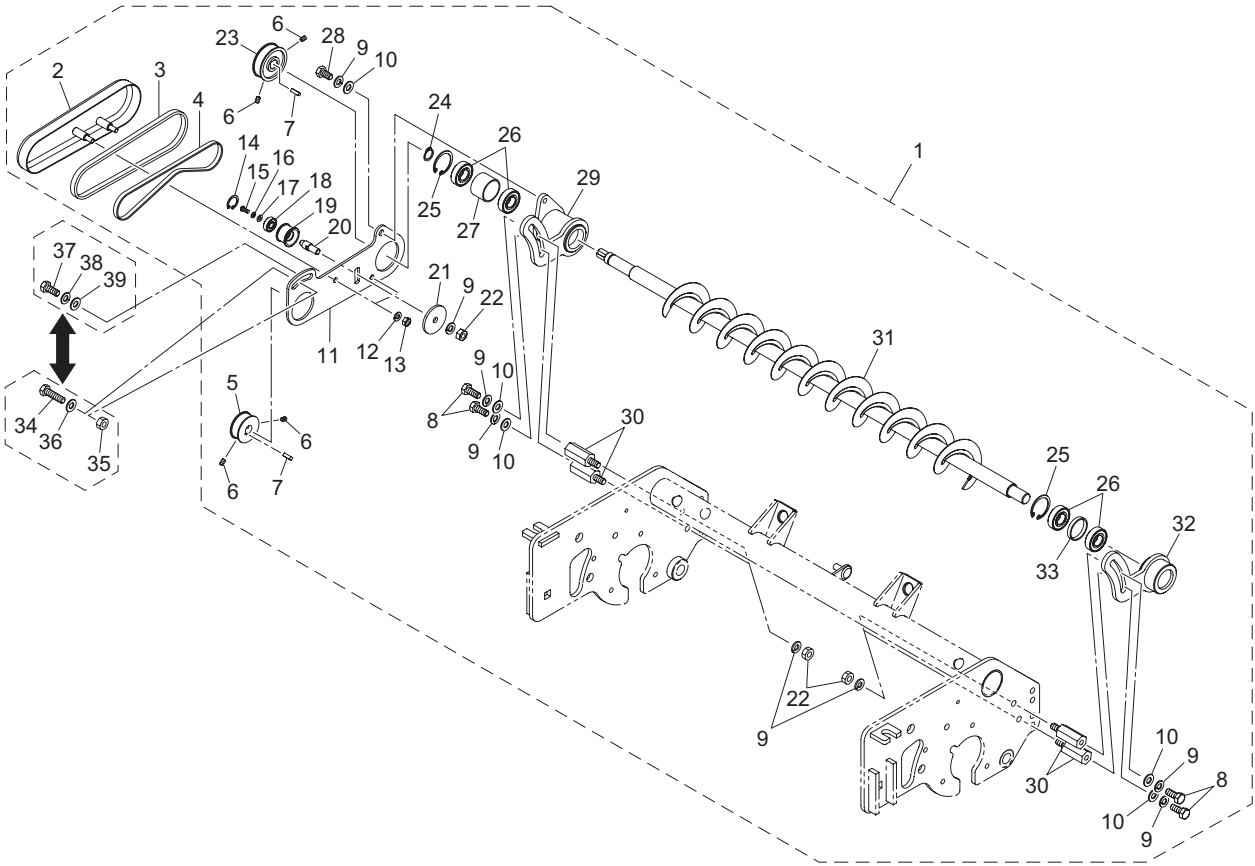


LH52_015_z00

| Cat No. | Code No. | Part name | Qty | Remark | SN of application |
|---------|---------------|-----------------------------|-----|--------|-------------------|
| 15-1 | LH52L--4220Z0 | BRUSH ASSY, CR (RH) | 1 | | |
| 15-2 | LH52L--4210ZD | COVER, BELT (RH) | 1 | | |
| 15-3 | LH52L--4211Z0 | RUBBER, U 8-482 | 1 | | |
| 15-4 | K2380000170 | BELT, F STAR 10FL-450 | 1 | | |
| 15-5 | LM2700-4106Z2 | PULLEY, DRIVING | 1 | | |
| 15-6 | K0023050081 | SETSCREW, M5-8 | 4 | | |
| 15-7 | K0520404140 | KEY, ROUND/SQUARE, M4-414 | 2 | | |
| 15-8 | K0000080202 | BOLT, M8-20 | 4 | | |
| 15-9 | K0200080002 | WASHER, SPRING M8 | 10 | | |
| 15-10 | K5000080002 | WASHER, M8 | 5 | | |
| 15-11 | LH52L--4209Z2 | PLATE, MOUNTING BRUSH | 1 | | |
| 15-12 | K0200060002 | WASHER, SPRING M6 | 2 | | |
| 15-13 | K0100060002 | NUT, M6 | 2 | | |
| 15-14 | K0402019001 | RING, RETAINING R M19 | 1 | | |
| 15-15 | K0042040102 | SCREW, + ROUND HEAD M4-10 | 1 | | |
| 15-16 | K0200040002 | WASHER, SPRING M4 | 1 | | |
| 15-17 | K5000040002 | WASHER, M4 | 1 | | |
| 15-18 | K0608006070 | BEARING, BALL SEAL 2RS 607 | 1 | | |
| 15-19 | LM315GC7609Z2 | PULLEY, TENSION 1423 | 1 | | |
| 15-20 | LH52L--4206Z2 | SHAFT | 1 | | |
| 15-21 | K5073208402 | WASHER, SPHC 3.2-8-40 | 1 | | |
| 15-22 | K0100080002 | NUT, M8 | 5 | | |
| 15-23 | LM2700-4107Z2 | PULLEY, BRUSH SHAFT | 1 | | |
| 15-24 | K0401015001 | RING, RETAINING S M15 | 1 | | |
| 15-25 | K0402032001 | RING, RETAINING R M32 | 2 | | |
| 15-26 | K0612060020 | BEARING, BALL SEAL 2RD 6002 | 4 | | |
| 15-27 | LH669L-1317Z2 | COLLAR, STKM 28.6-31.8-22 | 1 | | |
| 15-28 | K0000080152 | BOLT, M8-15 | 1 | | |
| 15-29 | LH52L--4207ZD | HOUSING, BRUSH (RH) | 1 | | |
| 15-30 | LH52L--4214ZD | SHAFT | 4 | | |

15.CR brush section B (motor on left side)

LH52

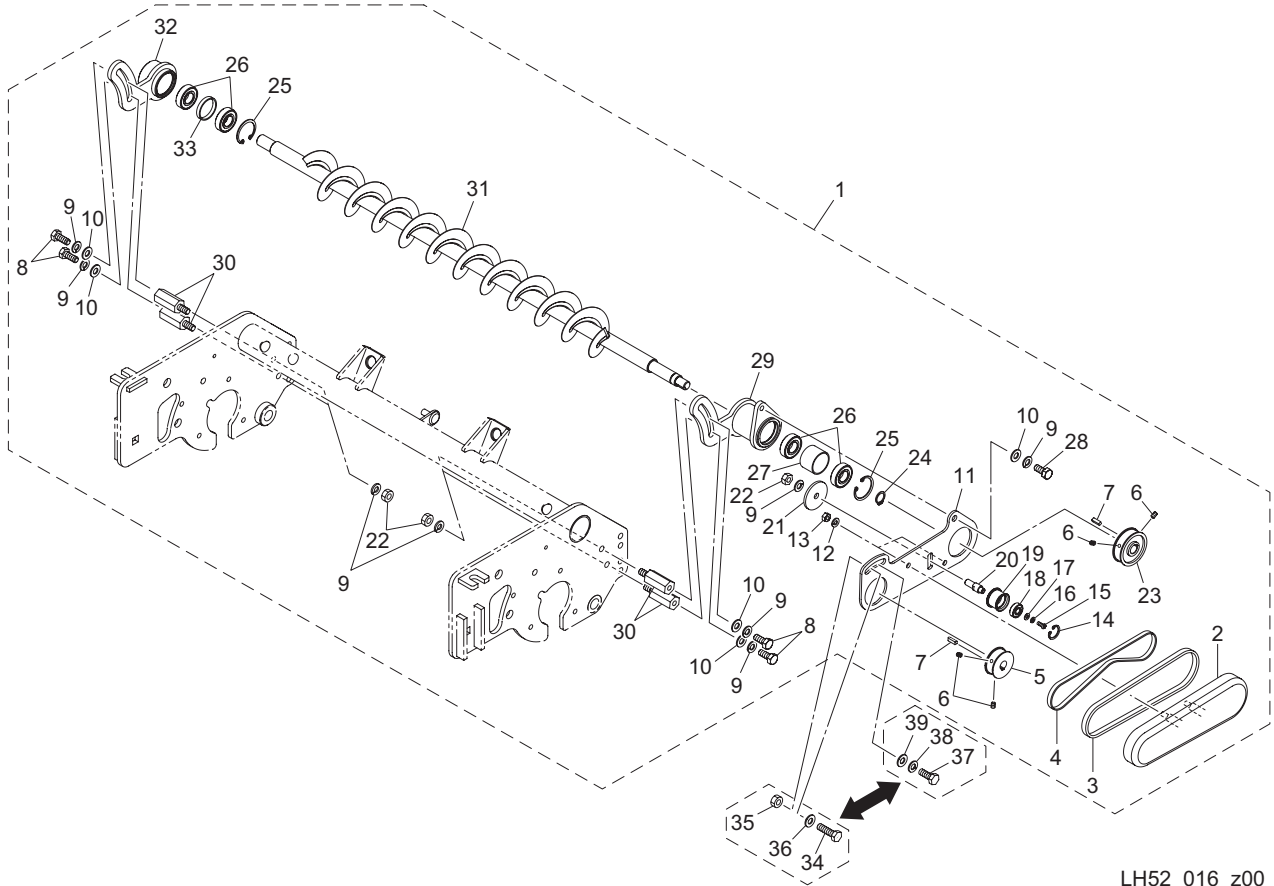


LH52_015_z00

| Cat No. | Code No. | Part name | Qty | Remark | SN of application |
|---------|---------------|---------------------------|-----|------------------------|-------------------|
| 15-31 | LH52L--4212Z0 | BRUSH, CR 22 | 1 | | |
| 15-32 | LH52L--4208ZD | HOUSING, (LH) | 1 | | |
| 15-33 | K6212004172 | COLLAR, STKM M28.6-31.8-5 | 1 | | |
| 15-34 | K0000080352 | BOLT, M8-35 | 1 | for Groomer + CR brush | |
| 15-35 | K0144080002 | NUT, W/F-RING M8 | 1 | for Groomer + CR brush | |
| 15-36 | K5000080002 | WASHER, M8 | 1 | for Groomer + CR brush | |
| 15-37 | K0000080202 | BOLT, M8-20 | 1 | for Groomer | |
| 15-38 | K0200080002 | WASHER, SPRING M8 | 1 | for Groomer | |
| 15-39 | K5000080002 | WASHER, M8 | 1 | for Groomer | |
| | | | | | |
| | | | | | |
| | | | | | |
| | | | | | |
| | | | | | |

16.CR brush section C (motor on right side)

LH52

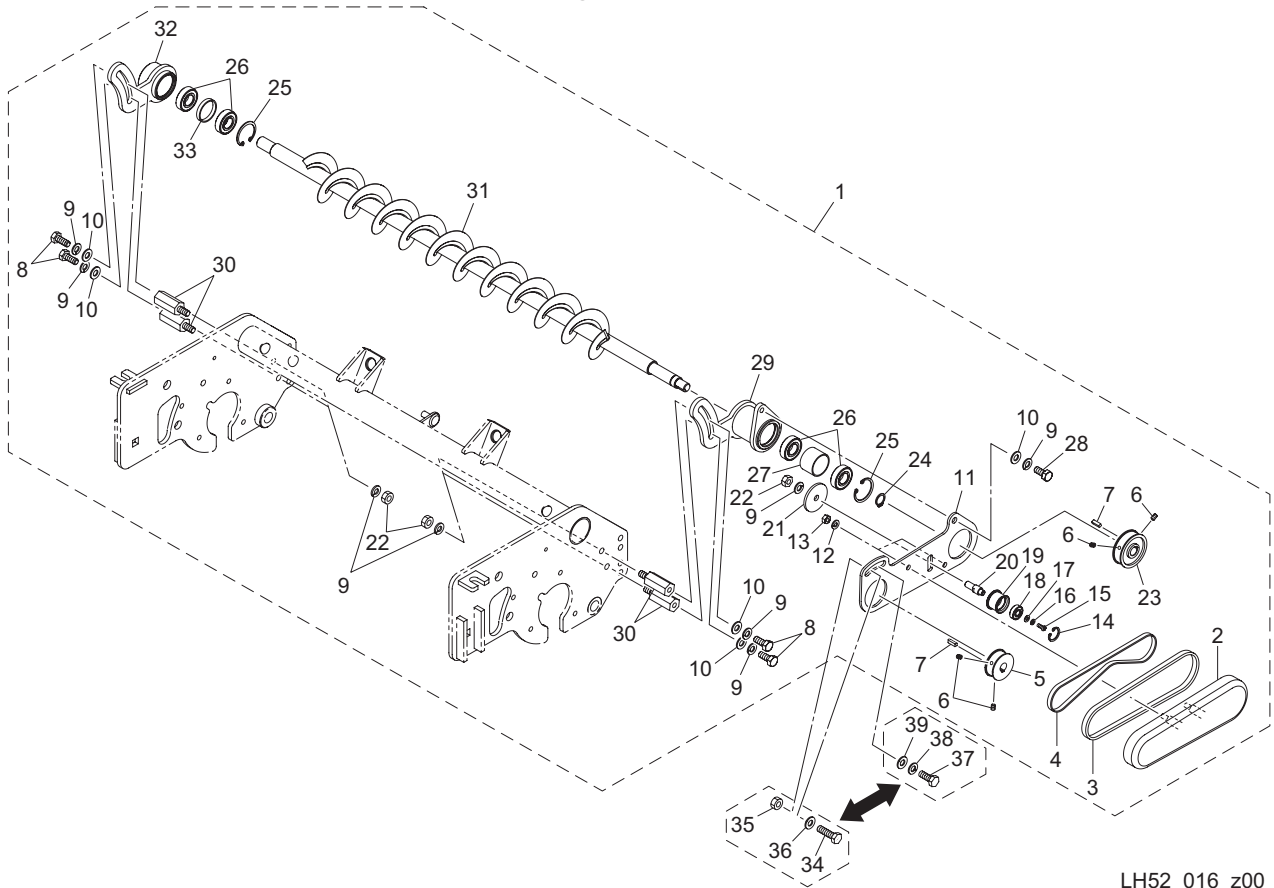


LH52_016_z00

| Cat No. | Code No. | Part name | Qty | Remark | SN of application |
|---------|---------------|-----------------------------|-----|--------|-------------------|
| 16-1 | LH52R--4220Z0 | BRUSH ASSY, CR (LH) | 1 | | |
| 16-2 | LH52R--4203ZD | COVER, BELT (LH) | 1 | | |
| 16-3 | LH52L--4211Z0 | RUBBER, U 8-482 | 1 | | |
| 16-4 | K2380000170 | BELT, F STAR 10FL-450 | 1 | | |
| 16-5 | LM2700-4106Z2 | PULLEY, DRIVING | 1 | | |
| 16-6 | K0023050081 | SETSCREW, M5-8 | 4 | | |
| 16-7 | K0520404140 | KEY, ROUND/SQUARE, M4-414 | 2 | | |
| 16-8 | K0000080202 | BOLT, M8-20 | 4 | | |
| 16-9 | K0200080002 | WASHER, SPRING M8 | 10 | | |
| 16-10 | K5000080002 | WASHER, M8 | 5 | | |
| 16-11 | LH52L--4209Z2 | PLATE, MOUNTING BRUSH | 1 | | |
| 16-12 | K0200060002 | WASHER, SPRING M6 | 2 | | |
| 16-13 | K0100060002 | NUT, M6 | 2 | | |
| 16-14 | K0402019001 | RING, RETAINING R M19 | 1 | | |
| 16-15 | K0042040102 | SCREW, + ROUND HEAD M4-10 | 1 | | |
| 16-16 | K0200040002 | WASHER, SPRING M4 | 1 | | |
| 16-17 | K5000040002 | WASHER, M4 | 1 | | |
| 16-18 | K0608006070 | BEARING, BALL SEAL 2RS 607 | 1 | | |
| 16-19 | LM315GC7609Z2 | PULLEY, TENSION 1423 | 1 | | |
| 16-20 | LH52L--4206Z2 | SHAFT | 1 | | |
| 16-21 | K5073208402 | WASHER, SPHC 3.2-8-40 | 1 | | |
| 16-22 | K0100080002 | NUT, M8 | 5 | | |
| 16-23 | LM2700-4107Z2 | PULLEY, BRUSH SHAFT | 1 | | |
| 16-24 | K0401015001 | RING, RETAINING S M15 | 1 | | |
| 16-25 | K0402032001 | RING, RETAINING R M32 | 2 | | |
| 16-26 | K0612060020 | BEARING, BALL SEAL 2RD 6002 | 4 | | |
| 16-27 | LH669L-1317Z2 | COLLAR, STKM 28.6-31.8-22 | 1 | | |
| 16-28 | K0000080152 | BOLT, M8-15 | 1 | | |
| 16-29 | LH52R--4201ZD | HOUSING, BRUSH (LH) | 1 | | |
| 16-30 | LH52L--4214ZD | SHAFT | 4 | | |

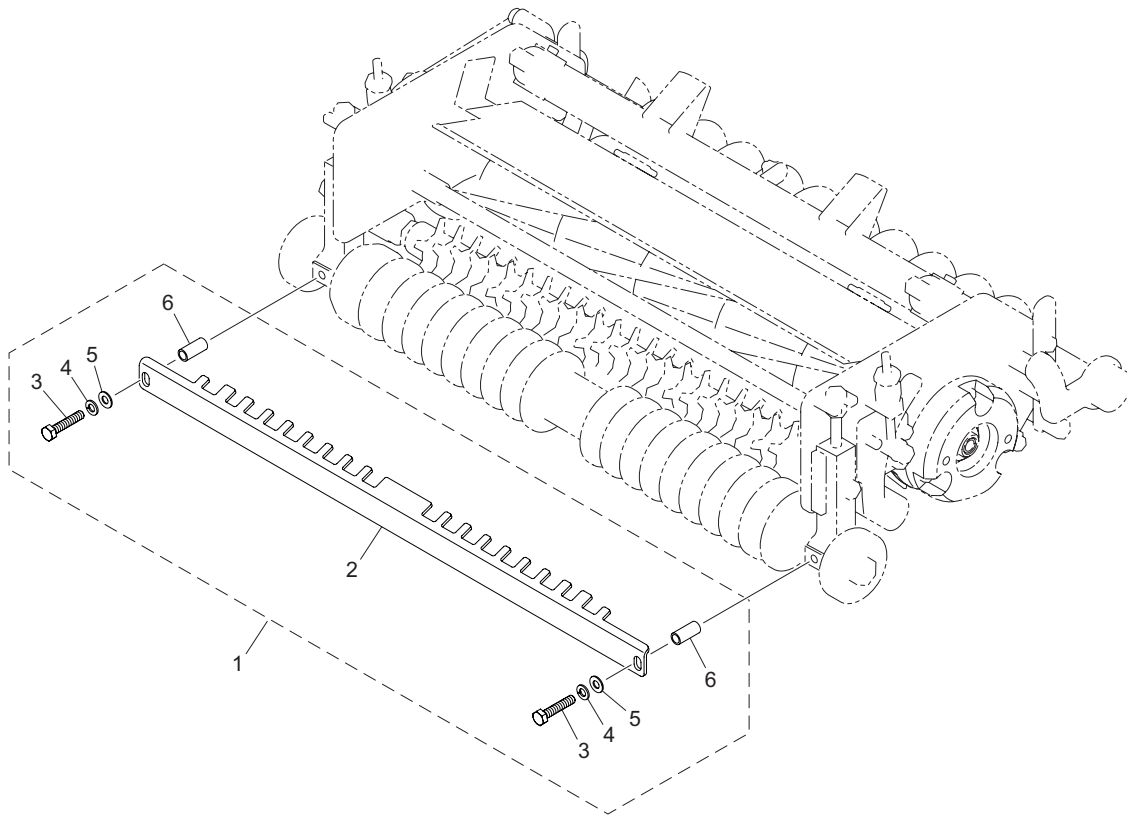
16.CR brush section C (motor on right side)

LH52



LH52_016_z00

| Cat No. | Code No. | Part name | Qty | Remark | SN of application |
|---------|---------------|---------------------------|-----|------------------------|-------------------|
| 16-31 | LH52L--4212Z0 | BRUSH, CR 22 | 1 | | |
| 16-32 | LH52R--4202ZD | HOUSING, (RH) | 1 | | |
| 16-33 | K6212004172 | COLLAR, STKM M28.6-31.8-5 | 1 | for Groomer + CR brush | |
| 16-34 | K0000080352 | BOLT, M8-35 | 1 | for Groomer + CR brush | |
| 16-35 | K0144080002 | NUT, W/F-RING M8 | 1 | for Groomer + CR brush | |
| 16-36 | K5000080002 | WASHER, M8 | 1 | for Groomer | |
| 16-37 | K0000080202 | BOLT, M8-20 | 1 | for Groomer | |
| 16-38 | K0200080002 | WASHER, SPRING M8 | 1 | for Groomer | |
| 16-39 | K5000080002 | WASHER, M8 | 1 | | |
| | | | | | |
| | | | | | |
| | | | | | |
| | | | | | |
| | | | | | |

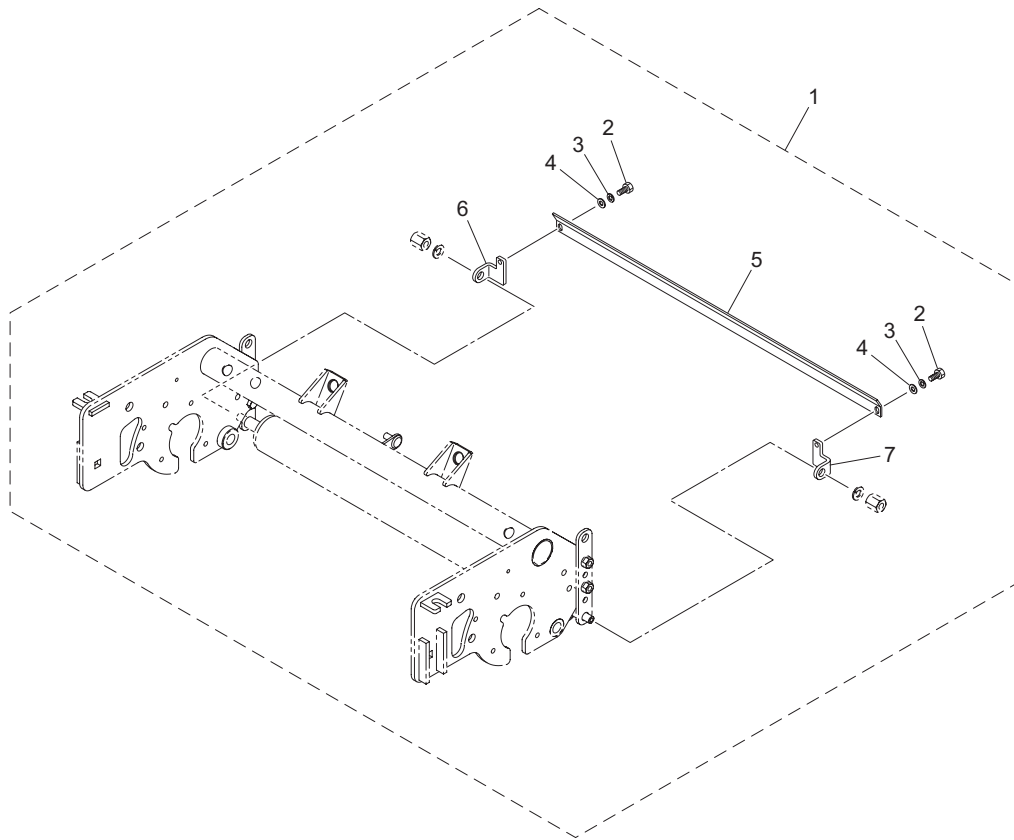


LH52_017_z00

| Cat No. | Code No. | Part name | Qty | Remark | SN of application |
|---------|---------------|---------------------------------|-----|--------|-------------------|
| 17-1 | LH52---4503Z0 | SCRAPER ASSY | 1 | | |
| 17-2 | LH52---4501ZD | ROLLER, FRONT LARGE FOR SCRAPER | 1 | | |
| 17-3 | K0000080402 | BOLT, M8-40 | 2 | | |
| 17-4 | K0200080002 | WASHER, SPRING M8 | 2 | | |
| 17-5 | K5000080002 | WASHER, M8 | 2 | | |
| 17-6 | LH52---4502Z2 | COLLAR, STKM 8.8-1226.5 | 2 | | |
| | | | | | |
| | | | | | |
| | | | | | |
| | | | | | |
| | | | | | |
| | | | | | |

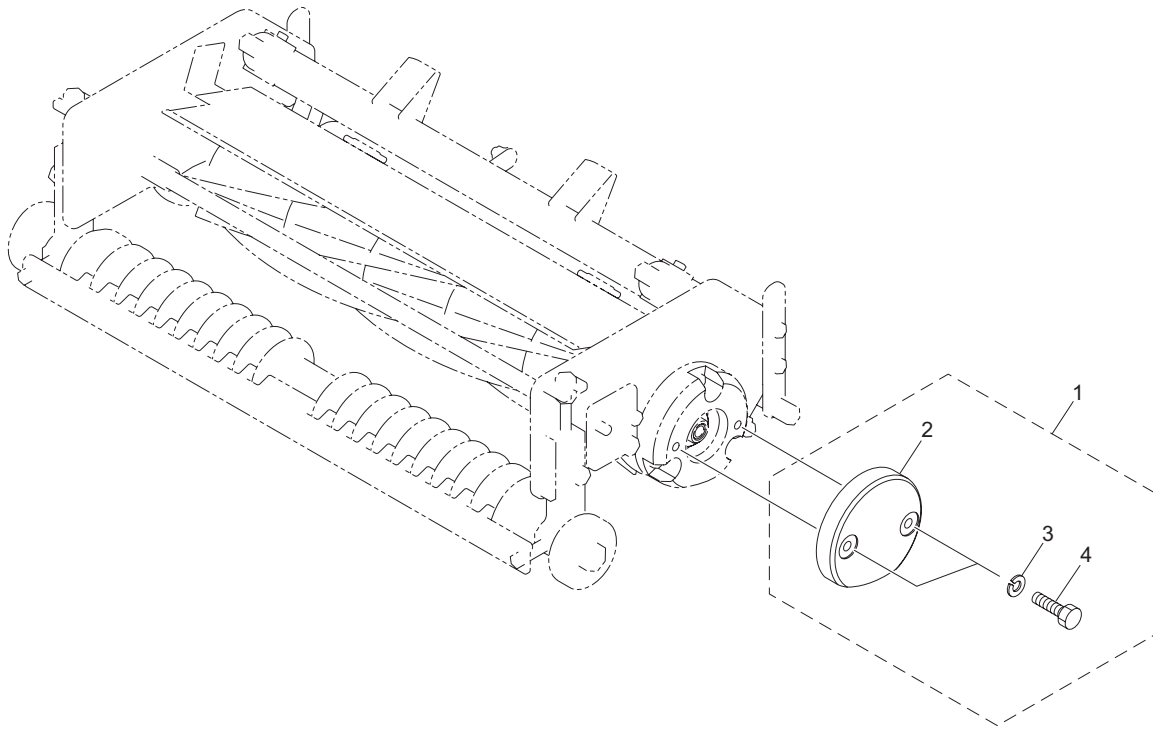
18.Rear scraper section

LH52



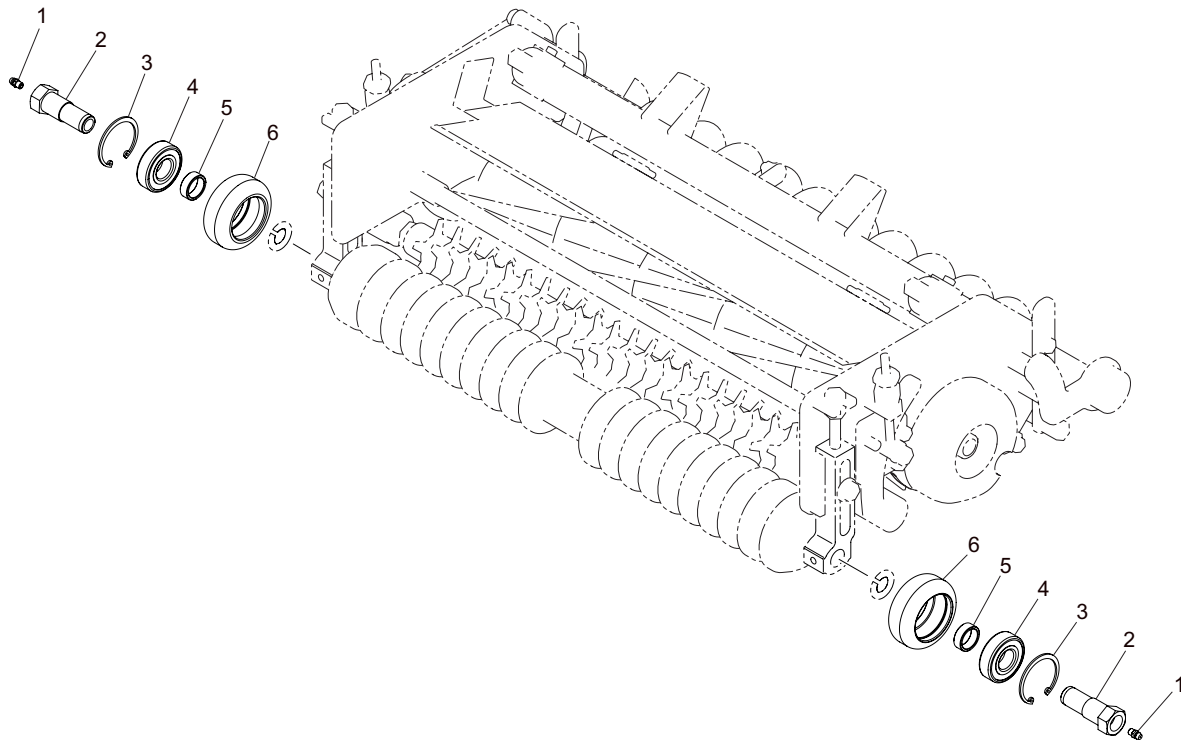
LH52_018_z00

| Cat No. | Code No. | Part name | Qty | Remark | SN of application |
|---------|---------------|-----------------------------------|-----|--------|-------------------|
| 18-1 | LH52---4610Z0 | SCRAPER ASSY | 1 | | |
| 18-2 | K0000060102 | BOLT, M6-10 | 2 | | |
| 18-3 | K0200060002 | WASHER, SPRING M6 | 2 | | |
| 18-4 | K5000060002 | WASHER, M6 | 2 | | |
| 18-5 | LH52---4601Z2 | ROLLER, FOR REAR SCRAPER | 1 | | |
| 18-6 | LH52---4603Z2 | BRACKET, REAR SCRAPER ROLLER (RH) | 1 | | |
| 18-7 | LH52---4602Z2 | BRACKET, REAR SCRAPER ROLLER (LH) | 1 | | |
| | | | | | |
| | | | | | |
| | | | | | |
| | | | | | |
| | | | | | |
| | | | | | |



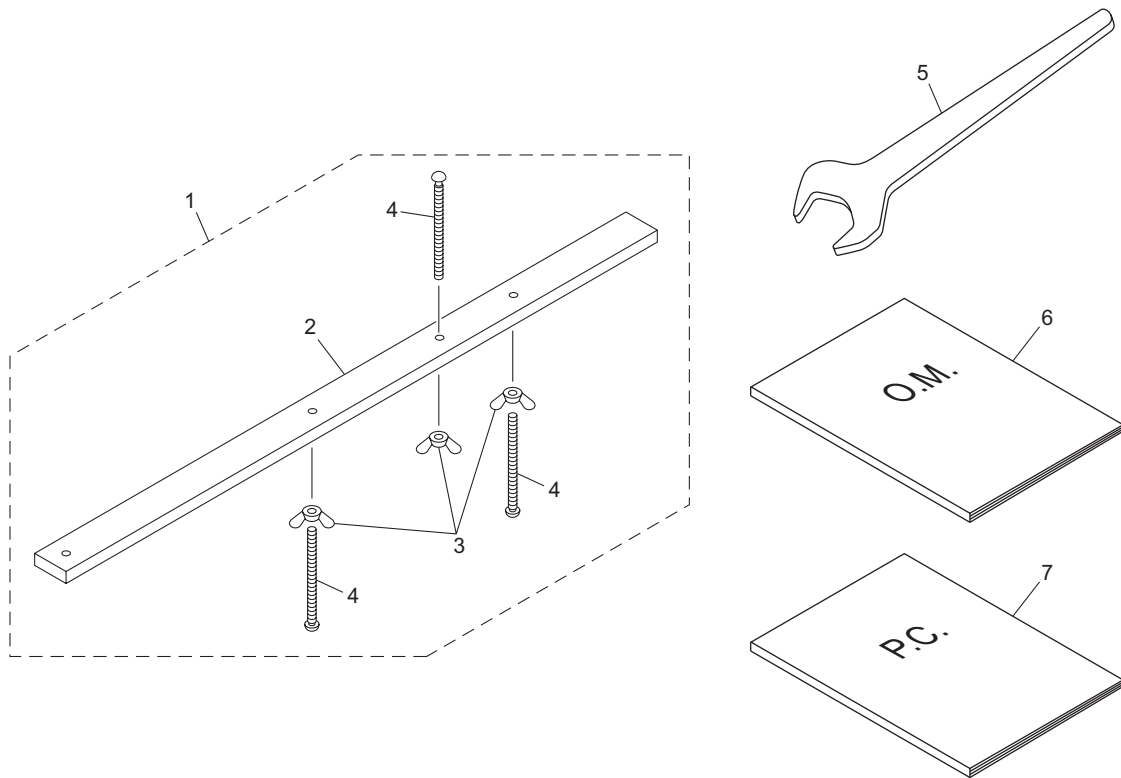
LH52_019_z00

| Cat No. | Code No. | Part name | Qty | Remark | SN of application |
|---------|---------------|--------------------|-----|--------|-------------------|
| 19-1 | LH52---0910Z0 | WEIGHT ASSY, A | 1 | | |
| 19-2 | LH52---0901ZR | WEIGHT, A | 1 | | |
| 19-3 | K0200100002 | WASHER, SPRING M10 | 2 | | |
| 19-4 | K0000100302 | BOLT, M10-30 | 2 | | |
| | | | | | |
| | | | | | |
| | | | | | |
| | | | | | |
| | | | | | |
| | | | | | |
| | | | | | |



LH52_020_z00

| Cat No. | Code No. | Part name | Qty | Remark | SN of application |
|---------|---------------|--------------------------------|-----|--------|-------------------|
| 20-1 | K144000010 | GREASE NIPPLE, STRAIGHT TYPE A | 2 | | |
| 20-2 | LH52---4801Z2 | SHAFT, SUPPORT ROLLER | 2 | | |
| 20-3 | K0402047001 | RING, RETAINING R M47 | 2 | | |
| 20-4 | K0612062040 | BEARING, BALL SEAL 2RD 6204 | 2 | | |
| 20-5 | LH52---4803Z2 | COLLAR | 2 | | |
| 20-6 | LH52---4802Z0 | ROLLER, SUPPORT | 2 | | |
| | | | | | |
| | | | | | |
| | | | | | |
| | | | | | |
| | | | | | |



LH52_021_z00

| Cat No. | Code No. | Part name | Qty | Remark | SN of application |
|---------|---------------|--|-----|--------|-------------------|
| 21-1 | LM2700-1502A0 | GAGE ASSY, CUTTING HEIGHT | 1 | | |
| 21-2 | LM2700-1501A2 | GAUGE, CUTTING HEIGHT 600A | 1 | | |
| 21-3 | K0141060002 | NUT, WING M6-3 | 3 | | |
| 21-4 | K0071000522 | SCREW, FOR CUTTING HEIGHT ADJUST M6-75 | 3 | | |
| 21-5 | K480200081D | SPANNER, SLIM SINGLE-ENDED 46 | 1 | | |
| 21a-6 | 750101-142-A | OWNERS OPERATING MANUAL, LH52 | 1 | | |
| 21a-7 | 750101-142-B | PARTS CATALOG, LH52 | 1 | | |
| | | | | | |
| | | | | | |
| | | | | | |
| | | | | | |
| | | | | | |
| | | | | | |

BARONESS[®]
Quality on Demand



KYOEISHA CO.,LTD.

Head Office 1-26, Miyuki-cho, Toyokawa, Tel : (0533)84-1390
Aichi-Pref. 442-8530 Japan. Fax : (0533)89-3623