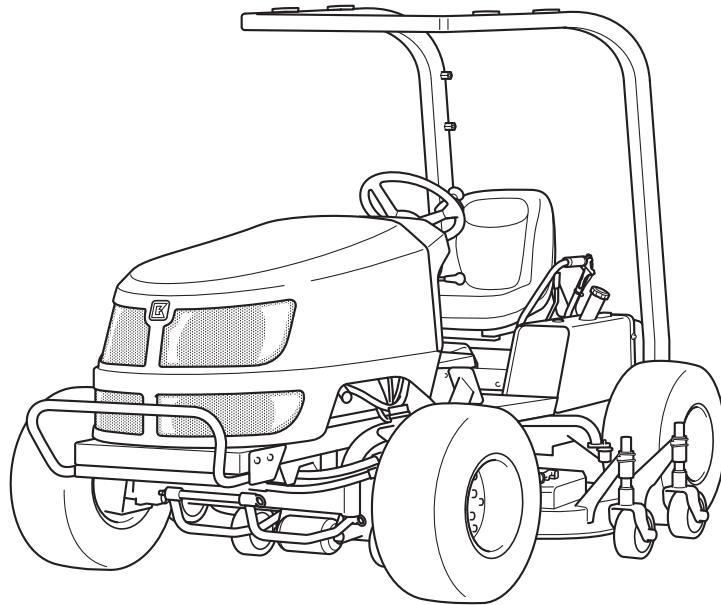


GM1700

Mid-Mount Rotary Mower

Owner's Operating Manual



Serial No. GM1700 : 21202-

"Required reading"
Read this manual before using the machine.

BARONESS[®]
Quality on Demand

Original Instructions Ver.1.6

Regulations

California Proposition 65

(For California, USA)

WARNING:

Operating, servicing and maintaining a passenger vehicle or off-road vehicle can expose you to chemicals including engine exhaust, carbon monoxide, phthalates, and lead, which are known to the State of California to cause cancer and birth defects or other reproductive harm. To minimize exposure, avoid breathing exhaust, do not idle the engine except as necessary, service your vehicle in a well-ventilated area and wear gloves or wash your hands frequently when servicing your vehicle. For more information go to www.P65Warnings.ca.gov/passenger-vehicle.

318yi8-005

California Proposition 65_001

California Spark Arrester

(For California, USA)

Warning

Operation of this equipment may create sparks that can start fires around dry vegetation.

A spark arrester may be required.

The operator should contact local fire agencies for laws or regulations relating to fire prevention requirements.

It is a violation of California Public Resource Code Section 4442 or 4443 to use or operate the engine on any forest-covered, brush-covered, or grass-covered land unless the engine is equipped with a spark arrester, as defined in Section 4442, maintained in effective working order or the engine is constructed, equipped, and maintained for the prevention of fire pursuant to Section 4443.

The engine of this machine is not equipped with a spark arrester.

In some areas there are local, state, or federal regulations requiring that a spark arrester be used on the engine of this machine.

The recommended spark arrester for this machine is Part No.49024N Spark Arrester made by Nelson Global Products.

Important Emissions Control Information

(For USA)

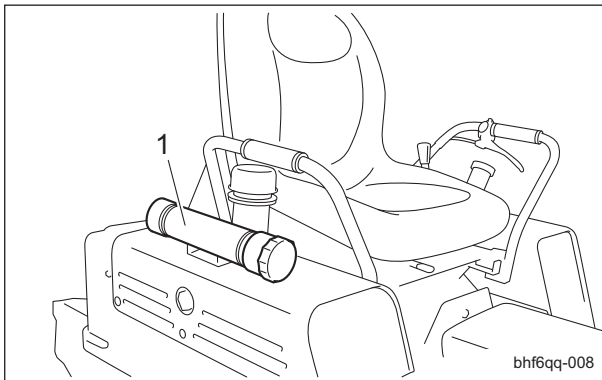
This equipment does not meet California EVP Emission Regulations.

This equipment is manufactured for the purpose of use in the United States excluding California.

Thank you for purchasing the Baroness product.
This manual describes the proper handling,
adjustment, and inspection of your product.
We hope you will use the product safely, and take
advantage of its best performance.
For details on the handling, adjustment and
inspection of the attachments, refer to the
Owner's Operating Manual for the attachments.

Keeping the Owner's Operating Manual

Keep this Manual in the box on the hydraulic
tank.



Keeping the Owner's Operating Manual_001

1	Box
---	-----

Introduction

Read this manual carefully to ensure that you thoroughly understand how to properly operate and maintain the product, and to avoid causing injury to yourself or others.

The operator is responsible for operating the product properly and safely.

Maintenance service for this machine should be performed by a mechanic with expertise.

If you have any questions concerning maintenance or genuine parts, please contact a Baroness dealer or Kyoisha.

When making inquiries about your product, please specify the model and serial number.

When loaning or transferring the product, please also provide this manual together with the product.

Kyoisha Co., Ltd.

Warning Symbols

This manual uses the following warning symbols for handling precautions that are important for your safety.



696cq5-001

Warning symbol

This symbol indicates the articles regarding “Danger,” “Warning,” or “Caution.”

Those articles describe important safety precautions and so read them carefully to understand completely before operating the machine.

Failure to adequately follow these safety precautions may cause an accident.

Danger

This symbol indicates that serious injury or death will occur if the warning is ignored.

Warning

This symbol indicates that serious injury or death may occur if the warning is ignored.

Caution

This symbol indicates that injury or damage to property may occur if the warning is ignored.

Important

This symbol indicates precautions on the mechanism of the machine.

Precautionary Statement

 Caution

The information described in this manual is subject to change for improvement without prior notice.

When replacing parts, be sure to use genuine Baroness parts or parts designated by Kyoeshia.

Note that the Baroness product warranty may not apply to defects caused by the use of parts from other companies.

Prior to use, carefully read the following manuals to thoroughly understand the contents for safe and correct operation.

- Baroness Owner's Operating Manual
- The Engine's Owner's Manual
- The Battery's Owner's Manual

Purpose

This product is intended for cutting turf grass at golf courses.

Do not use this product in any way other than its intended purpose, and do not modify this product.

Operating this product for other purposes and modifying it may be very dangerous and may cause damage to the product.

In addition, this product is not authorized for operation as a special motor vehicle. Do not operate it on public roads.

GM1700

Introduction

Safety	Page 1-1
Safe Operating Practices	Page 1-2
Disposal	Page 2-1
Recycle and Waste Disposal	Page 2-2
Product Overview	Page 3-1
Specifications	Page 3-2
Sound Pressure Level	Page 3-3
Sound Power Level	Page 3-3
Vibration Level	Page 3-3
Names of Each Section	Page 3-3
Regulation Decals	Page 3-4
Safety Signs and Instruction Signs	Page 3-8
Handling Instructions	Page 4-1
Pre-installation Adjustments	Page 4-2
Inspections	Page 4-2
Tightening Torques	Page 4-11
Adjustment before Work	Page 4-15
Procedure to Start/Stop Engine	Page 4-16
Operation Method	Page 4-17
Instruments	Page 4-25
Move	Page 4-27
Cutting Work	Page 4-29
Transporting	Page 4-29
Storage	Page 4-29
Maintenance	Page 5-1
Maintenance Precautions	Page 5-2
Maintenance Schedule	Page 5-3
Jacking Up The Machine	Page 5-5
Greasing	Page 5-6
Lubrication	Page 5-9
Maintenance Work	Page 5-10

GM1700

Contents

Safe Operating Practices Page 1-2

Training Page 1-2

Preparation Page 1-2

Operation Page 1-3

Maintenance Page 1-4

Storage Page 1-5



Safety

Failure to adequately follow these safety precautions may cause an accident resulting in injury or death.

Danger

This product is designed to ensure safe operation and has been tested and inspected thoroughly before shipment from the factory. The product is equipped with safety devices to prevent accidents.

However, whether the product demonstrates its original performance level depends on the manner in which it is operated and handled, as well as the manner in which it is managed on a daily basis.

Inappropriate use or management of the product may result in injury or death.

Observe the following safety instructions to ensure safe operation.

Safe Operating Practices

Training

1. Read this manual and other training material carefully.

Be familiar with the controls, safety signs, and the proper use of the equipment.

2. If the operator or mechanic can not read the language used in this manual, it is the owner's responsibility to explain this material to them.

3. All operators and mechanics should seek and obtain professional and practical instruction.

The owner is responsible for training the users.

Such instruction should emphasize:

- [1] The need for care and concentration when working with ride-on machines.

- [2] Control of a ride-on machine sliding on a slope will not be regained by the application of the brake.

The main reasons for loss of control are

- Insufficient wheel grip
- Being driven too fast
- Inadequate braking
- The type of machine is unsuitable for its task
- Lack of awareness of the effect of ground conditions, especially slopes
- Incorrect hitching and load distribution

4. Never allow children or people unfamiliar with these instructions to use or service the machine.
Local regulations may restrict the age of the operator.
5. The owner/user can prevent and is responsible for accidents or injuries occurring to themselves, other people, or property.
6. Keep in mind that the owner, operator, and mechanic are responsible for accidents or hazards occurring to other people or their property.
7. The ROPS is an integral and effective safety device.
Do not remove or alter the ROPS.
8. Replace a damaged ROPS.
Do not repair or alter.
9. You can find additional safety information where needed throughout this manual.
10. Determine the left and right sides of the machine from the normal operating position.

Preparation

1. Evaluate the terrain to determine what accessories and attachments are needed to properly and safely perform the job.
Only use accessories and attachments approved by the manufacturer.
2. While operating, always wear substantial footwear, long trousers, hard hat, safety glasses, mask, and ear protection.
Long hair, loose clothing, or jewelry may get tangled in moving parts.
Do not operate the equipment when barefoot or wearing open sandals.
3. Inspect the area where the equipment is to be used and remove all objects such as rocks, toys and wire which can be thrown by the machine.
4. Keep children out of the operating area and under the watchful care of a responsible adult other than the operator.
5. Exercise care in the handling of fuel.

Warning

Fuel is highly flammable.

Take the following precautions:

- [1] Store fuel in containers specifically designed for this purpose.

- [2] Add fuel before starting the engine.
Never remove the cap of the fuel tank or add fuel while the engine is running or when the engine is hot.
- [3] Refuel outdoors only and do not smoke while refueling.
- [4] If fuel is spilled, do not attempt to start the engine but move the machine away from the area of spillage and avoid creating any source of ignition until petrol vapours have dissipated;
- [5] Replace all fuel tanks and container caps securely.
6. Check that operator's presence controls, safety switches and shields are attached and functioning properly.
Do not operate unless they are functioning properly.
7. If the brake operation is faulty, be sure to adjust or repair them before operating the machine.
8. If the handlebar has noticeable play, be sure to adjust or repair them before operating the machine.
9. Replace faulty mufflers.
10. Before using, always visually inspect to see that the rotary knives, rotary knife bolts, and cutter assembly are not worn or damaged. Replace worn or damaged rotary knives and bolts in sets to preserve balance.
11. On multi-rotary knife machines, take care as rotating one rotary knife can cause other rotary knives to rotate.
5. Never operate the machine with damaged guards, shields, or without safety protective devices in place.
Be sure all interlocks are attached, adjusted properly, and functioning properly.
6. Keep hands and feet away from the rotating parts.
7. Do not carry passengers.
8. Never operate while people, especially children, or pets are nearby.
9. Only operate in good light, keeping away from holes and hidden hazards.
10. Do not operate the machine when there is the risk of lightning.
11. Do not stop or start suddenly.
12. Look behind and down before backing up to be sure of a clear path.
13. Slow down and use caution when making turns and crossing roads and sidewalks.
14. Use care when approaching blind corners, shrubs, trees, or other objects that may obscure vision.
15. Do not take your eyes off the road ahead.
Do not operate the machine with no hands.
16. Remember there is no such thing as a safe slope.
Travel on grass slopes requires particular care.
To guard against overturning, follow these instructions.
- [1] Do not stop or start suddenly when going up or downhill.
- [2] Engage clutch slowly, always keep machine in gear, especially when traveling downhill.
- [3] Machine speeds should be kept low on slopes and during turns.
- [4] Stay alert for humps and hollows and other hidden hazards.

Operation

1. Do not operate the machine under the influence of alcohol or drugs.
2. Do not operate the engine in a confined space where dangerous carbon monoxide fumes can collect.
3. Be sure all drives and shift are in neutral and parking brake is engaged before starting engine.
Only start engine from the operator's position.
Use seat belts if provided.
4. Do not change the engine governor settings or overspeed the engine.
Operating the engine at excessive speed may increase the hazard of personal injury.
17. Never use the machine on a slope with an angle of gradient that is greater than that specified or in a place where there is a danger of the machine slipping.
18. Use extra care while operating machine with a grass catcher or other attachments.
They can affect the stability of the machine.
19. Disengage drive to the cutting unit(s), when other than operating.

Safety

20. Do the following before leaving the operator's position.
 - [1] Stop on level ground.
 - [2] Disengage the all drives.
 - [3] Lower the bucket.
 - [4] Set the parking brake.
 - [5] Stop the engine.
 - [6] Remove the ignition key.
21. Stop the engine in the following conditions.
 - [1] Before refuelling.
 - [2] Before removing the grass catcher.
 - [3] Before making height or depth adjustment unless adjustment can be made from the operator's position.
 - [4] Before clearing blockages.
 - [5] Before checking, cleaning or working on the machine.
 - [6] After striking a foreign object or if an abnormal vibration occurs.
Inspect the machine for damage and make repairs before restarting and operating the equipment.
22. Reduce the throttle setting during engine run-out.
23. Never operate with the discharge deflector raised, removed or altered, unless using a grass catcher.
24. Never raise mower deck with the rotary knives running.
25. Do not mow in reverse unless absolutely necessary.
26. Do not direct discharge material toward anyone.
Avoid discharging material against a wall or obstruction.
Material may ricochet back toward the operator.
27. Take care when loading or unloading the machine into a trailer or a truck.
Load or unload the machine in a flat and safe place.
Before loading or unloading, set the parking brake on the truck or trailer, stop the engine, and chock the wheels.

When transporting the machine on a truck or a trailer, set the parking brake, stop the engine, and fasten the machine to the truck with a rope or other suitable restraining device that has sufficient strength.

When using a running board, select one with sufficient strength, length, and width and that will not cause the machine to slip.

28. Close the fuel valve before transporting the machine.

Maintenance

1. Never allow untrained personnel to service machine.
2. Implement the following work before adjusting, cleaning or repairing.
 - [1] Stop the machine on level ground.
 - [2] Disengage drive to the cutting unit(s).
 - [3] Lower the cutting unit(s) and/or attachment(s).
 - [4] Set the parking brake.
 - [5] Stop the engine.
 - [6] Remove the ignition key.
 - [7] Wait for all movement to stop.
3. Allow the engine/muffler to cool before checking/maintenance.
4. To reduce the fire hazard, keep hot parts such as the engine and silencer/muffler, battery compartment and fuel storage area free of grass, leaves, or excessive grease.
Clean up oil or fuel spillage.
5. Appropriately manage and correctly use the tools necessary for servicing or adjusting the machine.
6. Disconnect battery before making any repairs.
Disconnect the negative terminal first and the positive last.
Reconnect positive first and negative last.
7. Use jack stands to support components when required.
8. Keep hands and feet away from moving parts.
If possible, do not make adjustments with the engine running.
9. Make sure that parts such as wires are not touching each other and that their covers have not come off.
10. Keep all parts in good working condition and all hardware tightened.
Replace all worn or damaged decals.

11. Keep all nuts, bolts and screws tight to be sure the equipment is in safe working condition.
12. Carefully release pressure from components with stored energy.
13. Be sure to depressurize the hydraulic system before performing maintenance operations on it such as removing hydraulic equipment.
14. Check whether line connectors in the hydraulic system are properly tightened. Before applying hydraulic pressure, check the connections of the hydraulic pressure lines and the condition of the hoses.
15. When checking the hydraulic circuit for pinhole leaks or oil leakage from nozzles, do not use your hands.
Use items such as paper or corrugated cardboard to find leakage points.
Be extremely careful with high-pressure oil as it may pierce your skin, resulting in an injury.
If fluid is injected into the skin it must be surgically removed within a few hours by a doctor familiar with this form of injury or gangrene may result.
16. Use care when checking the rotary knives. Wrap the rotary knives or wear gloves, and use caution when servicing them.
Only replace rotary knives.
Never straighten or weld them.
17. On multi-rotary knife machines, take care as rotating one rotary knife can cause other rotary knives to rotate.
18. Check the grass catcher frequently for wear or deterioration.
19. Charge batteries in an open well ventilated area, away from spark and flames.
Unplug charger before connecting or disconnecting from battery.
Wear protective clothing and use insulated tools.
20. If the fuel tank has to be drained, do this outdoors.
3. Only cover the machine with a sheet after hot parts have sufficiently cooled down.
4. Never store the equipment with fuel in the tank inside a building where fumes may reach an open flame or spark.
5. If the engine is provided with a shut-off valve, shut off valve while storing or transporting.
6. Do not store fuel near flames.
7. Swallowing engine coolant can cause injury or death; keep out of reach from children and pets.

Storage

1. When machine is to be parked, stored, or left unattended, lower the cutting unit(s) and/or attachment(s) unless a positive mechanical lock is provided.
2. Allow the engine to cool before storing in any enclosure.

Recycle and Waste Disposal Page 2-2

About RecyclePage 2-2

About Waste Disposal Page 2-2

Disposal

Disposal

Recycle and Waste Disposal

About Recycle

Recycling battery etc. is recommended for environmental conservation and economical use of resources.

It may be required by local laws.

About Waste Disposal

Make sure that waste generated when servicing or repairing the machine is disposed of in accordance with local regulations. (e.g. waste oil, antifreeze, rubber products, and wires etc.)

Specifications Page 3-2
 SpecificationsPage 3-2

Sound Pressure Level Page 3-3
 Sound Pressure Level Page 3-3

Sound Power LevelPage 3-3
 Sound Power Level Page 3-3

Vibration Level Page 3-3
 Hand-Arm Vibration Page 3-3
 Whole Body Vibration Page 3-3

Names of Each Section Page 3-3

Regulation DecalsPage 3-4
 Positions of Regulation Decals Page 3-4
 Description of Regulation Decals Page 3-4

Safety Signs and Instruction Signs Page 3-8
 About Safety Signs and Instruction
 SignsPage 3-8
 Positions of Safety Decals and
 Instruction Decals Page 3-8
 Description of Safety Decals and
 Instruction Decals Page 3-9

Product Overview

Specifications

Specifications

Model		GM1700	
Name		Mid-Mount Rotary Mower	
Dimensions	Total length		255 cm 100.39 in
	Total width		154 cm 60.63 in
	Total height	Roof	197 cm 77.56 in
		Steering wheel	121 cm 47.64 in
Weight	Machine (empty fuel tank) with ROPS	730 kg 1609.35 lb	
Minimum turning radius		298 cm 117.32 in	
Engine	Model		Kubota D1105
	Type		Vertical Water-cooled 4-cycle diesel engine
	Total displacement		1,123 cm ³ (1.123 L) 68.52 cu.in.
	Maximum output		-
	Rated output		18.1 kW (24.6 PS)/2,800 rpm
Fuel tank capacity		Diesel 23.0 dm ³ (23.0 L) Diesel 6.08 U.S.gal.	
Fuel consumption		280 g/kW · h (rated output) 206 g/PS · h (rated output)	
Engine oil capacity		3.0 dm ³ (3.0 L) 0.79 U.S.gal.	
Coolant volume		6.0 dm ³ (6.0 L) 1.59 U.S.gal.	
Hydraulic tank capacity		22.0 dm ³ (22.0 L) 5.81 U.S.gal.	
Transmission oil capacity		0.45 dm ³ (0.45 L) 0.12 U.S.gal.	
Operating width (Mowing width)		See the mower deck's specifications.	
Operating height (Mowing height)		See the mower deck's specifications.	
Number of Blades		See the mower deck's specifications.	
Drive	Traveling		HST (2WD/4WD selectable)
	Mowing		Mechanical
Speed (HST)	Forward	2WD	0 - 16.0 km/h 0 - 9.94 mph
		4WD	0 - 8.0 km/h 0 - 4.97 mph
	Reverse	2WD	0 - 14.0 km/h 0 - 8.70 mph
		4WD	0 - 7.0 km/h 0 - 4.35 mph
Speed (Mechanical)		-	
Efficiency		See the mower deck's specifications.	
Maximum inclination for operation		25 degrees	
Tire size	Front wheel		21 x 11.00 - 10
	Rear wheel		21 x 11.00 - 10
Tire pneumatic pressure	Front wheel		140 kPa (1.4 kgf/cm ²) 20.30 psi
	Rear wheel		140 kPa (1.4 kgf/cm ²) 20.30 psi
Battery		80D26R	
Engine plug		-	

The factory default maximum engine rpm is 2,800 rpm.

Sound Pressure Level

Sound Pressure Level

This machine was confirmed to have a continuous A-weighted sound pressure level of 93dB by measuring identical machines in accordance with the procedure specified in ISO 5395-1:2013.

Sound Power Level

Sound Power Level

This machine was confirmed to have a sound power level of 105dB by measuring identical machines in accordance with the procedure specified in ISO5395-1:2013.

Vibration Level

Hand-Arm Vibration

This machine was confirmed not to exceed a vibration level of 2.5 m/s² to hands and arms by measuring identical machines in accordance with the procedure specified in ISO 5395-1:2013.

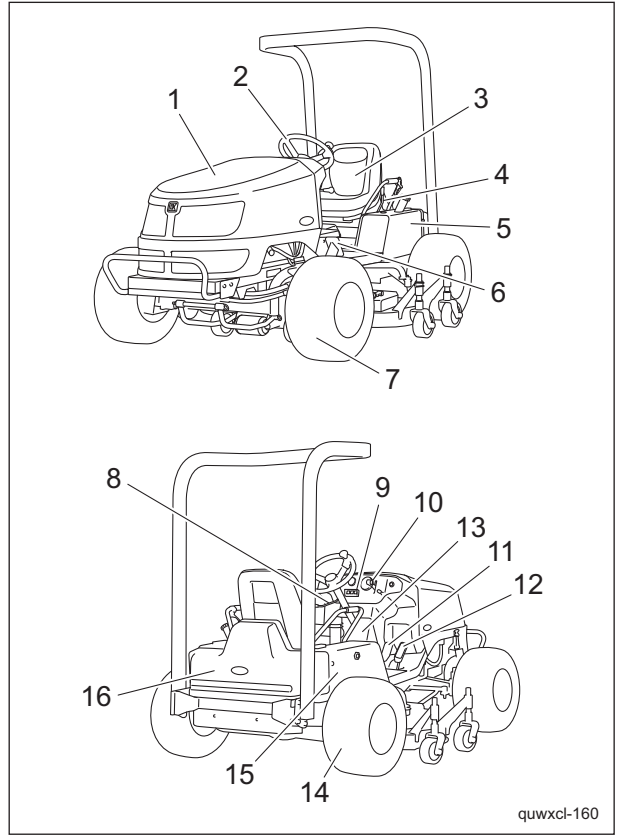
Uncertainty K = 0.8 m/s²

Whole Body Vibration

This machine was confirmed not to exceed a vibration level of 0.5 m/s² to the whole body by measuring identical machines in accordance with the procedure specified in ISO 5395-1:2013.

Uncertainty K = 0.2 m/s²

Names of Each Section



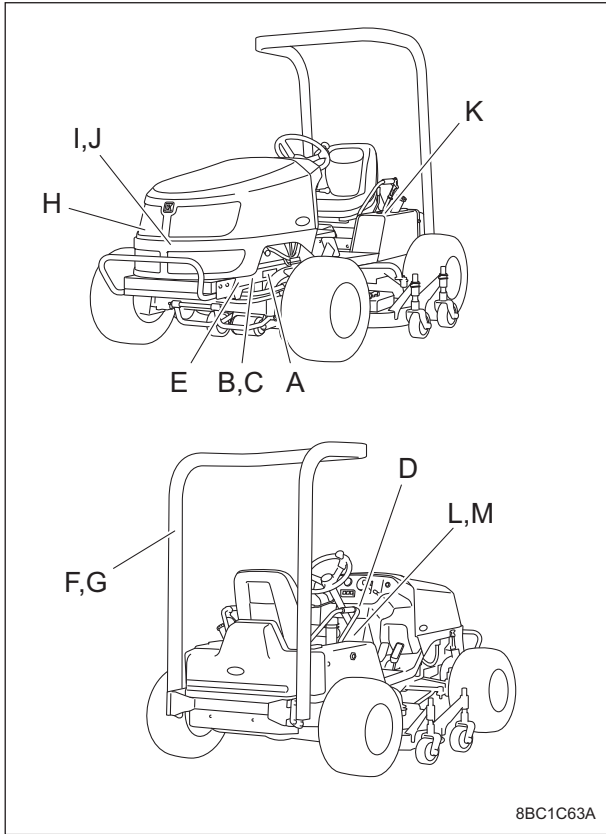
Names of Each Section_001

1	Hood
2	Steering wheel
3	Seat
4	2WD/4WD selector lever
5	Fuel tank
6	Brake pedal
7	Front wheel
8	Knife rotation lever
9	Meter panel
10	Throttle lever
11	Forward pedal
12	Reverse pedal
13	Center cover
14	Rear wheel
15	Hydraulic tank
16	Rear cover

Product Overview

Regulation Decals

Positions of Regulation Decals



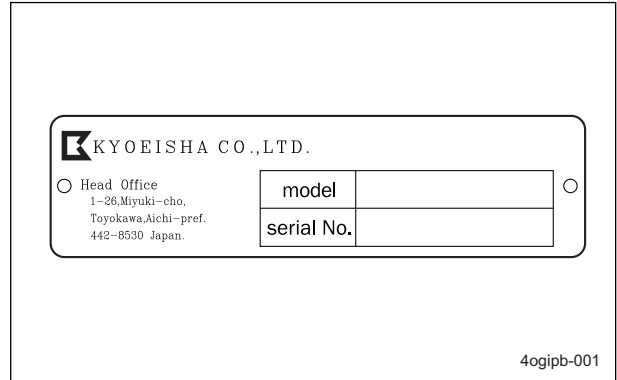
Positions of Regulation Decals_001

A	Serial number plate
B	Specification decal
C	UKCA mark
D	Noise emission decal
E	Year of manufacture decal
F	ROPS compliance decal
G	ROPS caution decal
H	Battery capacity decal
I	Recycle decal
J	Battery danger decal
K	Indicating diesel fuel decal
L	Spark arrester warning decal
M	California Proposition 65 decal (riding type)

Description of Regulation Decals

Serial Number Plate

The serial number plate indicates the model and serial number of the machine.



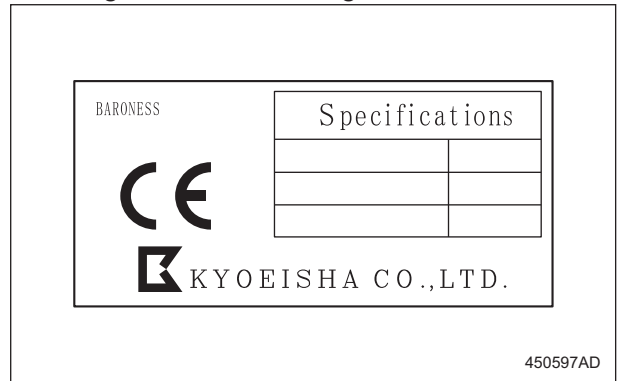
Serial Number Plate_001

Specification Decal

(For Europe)

CE mark indicates that the machine sold in the EU nations complies with the EU requirements.

The Specification decal indicates the CE marking, model, and weight, etc.



Specification Decal_001

UKCA Mark

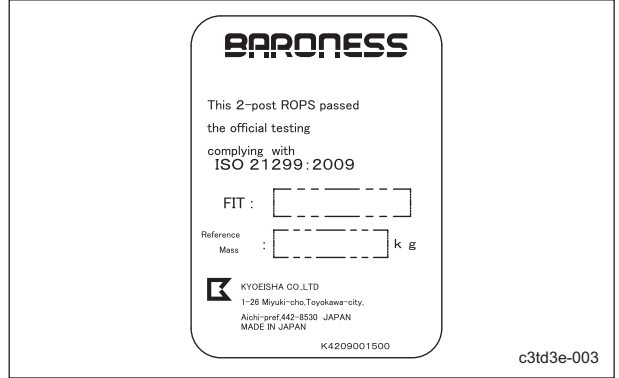
(For UK)
UKCA mark indicates that the machine sold in the UK complies with the UK requirements.



UKCA Mark_001

ROPS Compliance Decal

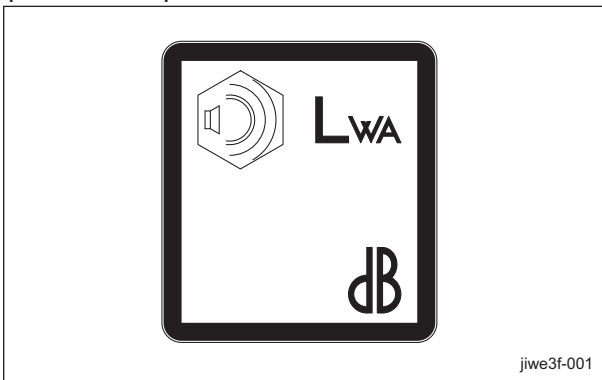
The ROPS compliance decal indicates the manufacturer, model, etc., in accordance with International Standard ISO 21299:2009.



ROPS Compliance Decal_001

Noise Emission Decal

(For Europe)
The noise emission decal indicates the sound power level determined by measuring identical machines in accordance with the procedure specified in the EC directives.

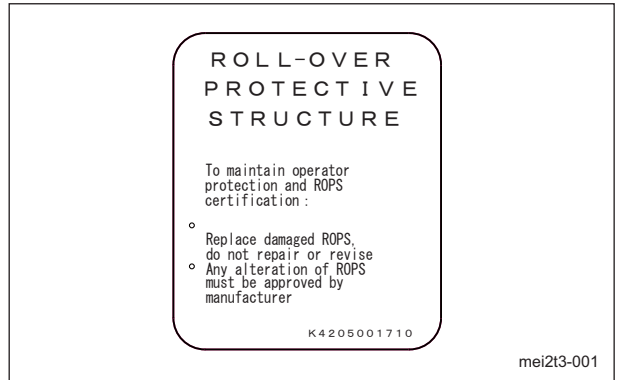


Noise Emission Decal_001

ROPS Caution Decal

ROPS caution decal describes the following caution messages.

- Replace damaged ROPS.
- Do not repair or revise.



ROPS Caution Decal_001

Year of Manufacture Decal

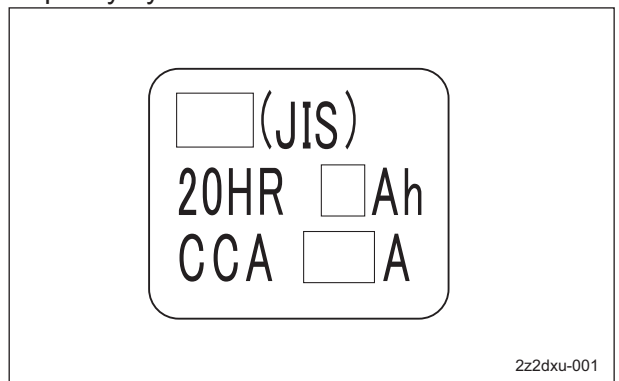
(For Europe)
The year of manufacture decal indicates the year when this machine was manufactured.



Year of Manufacture Decal_001

Battery Capacity Decal

(For Europe)
The battery capacity decal indicates the capacity by 20HR and CCA.

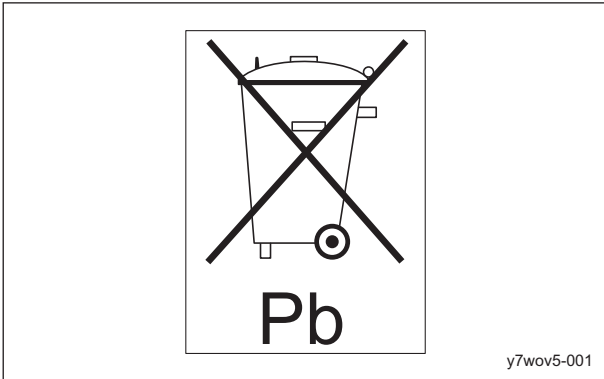


Battery Capacity Decal_001

Product Overview

Recycle Decal

Recycle Decal illustrates Recycle Mark in accordance with local regulation.
(For Europe)



Recycle Decal_001

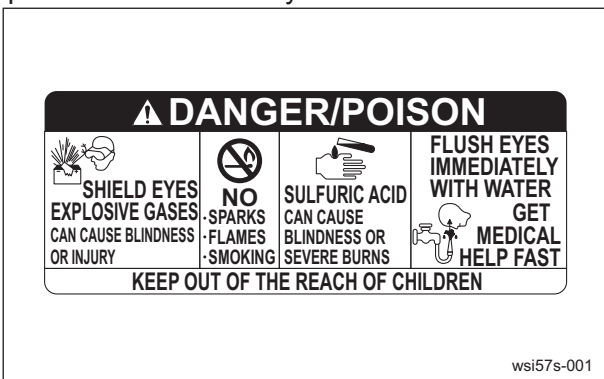
(For USA)



Recycle Decal_002

Battery Danger Decal

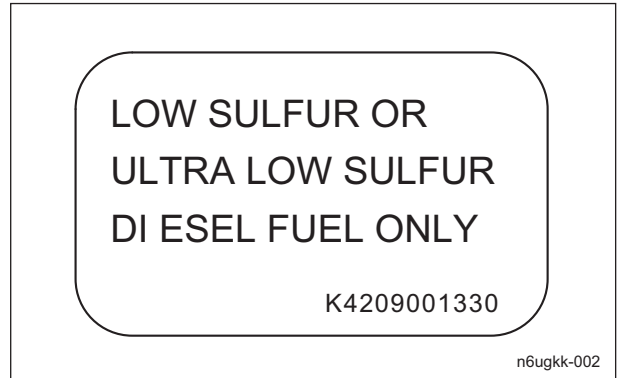
(For USA)
Battery Danger Decal describes handling precautions for battery.



Battery Danger Decal_001

Indicating Diesel Fuel Decal

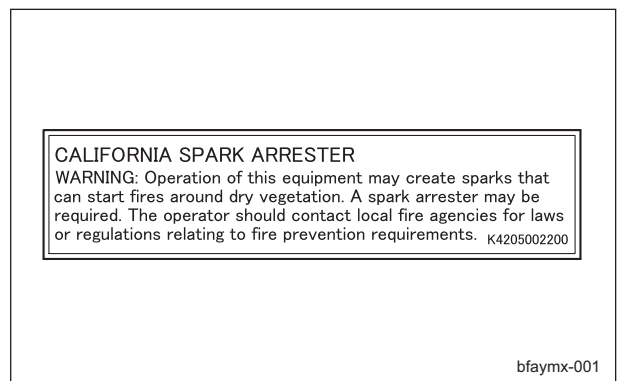
(for USA)
It indicates the fuel to be used.
Use low sulfur or ultra-low sulfur diesel fuel (sulfur-free diesel fuel).



Indicating Diesel Fuel Decal_001

Spark Arrester Warning Decal

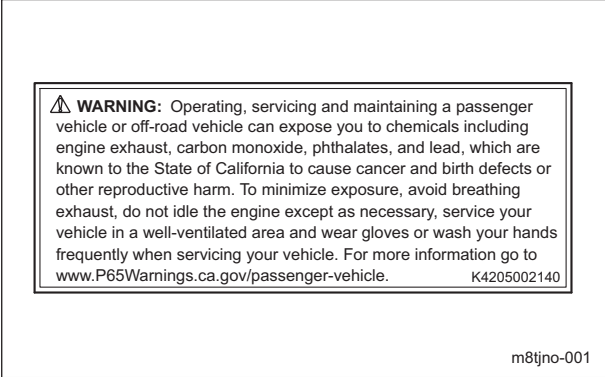
(For the State of California, USA)
Spark arrester warning decal describes the warning messages as required by California Public Resources Code.



Spark Arrester Warning Decal_001

California Proposition 65 Decal (Riding Type)

(For the State of California, USA)
California Proposition 65 decal describes the warning messages as required by California Proposition 65.



California Proposition 65 Decal (Riding Type)_001

Product Overview

Safety Signs and Instruction Signs

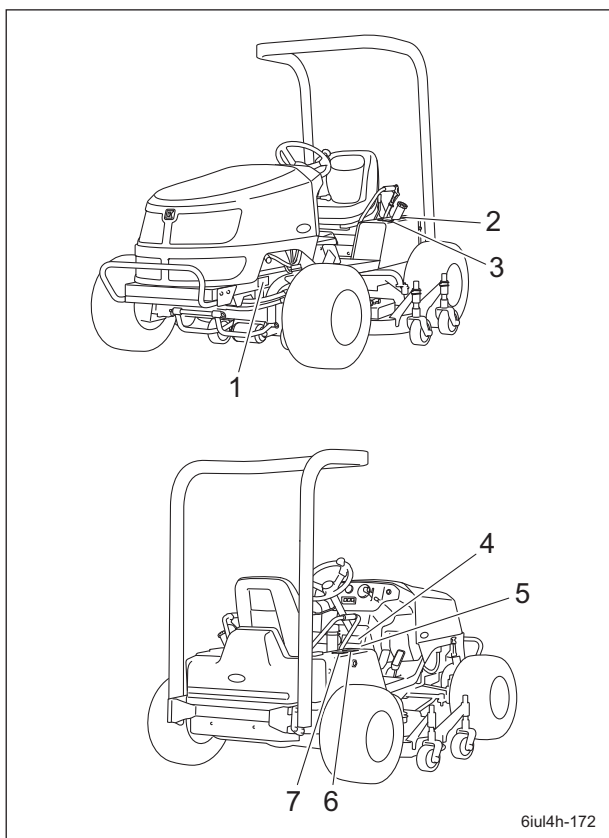
About Safety Signs and Instruction Signs

Important

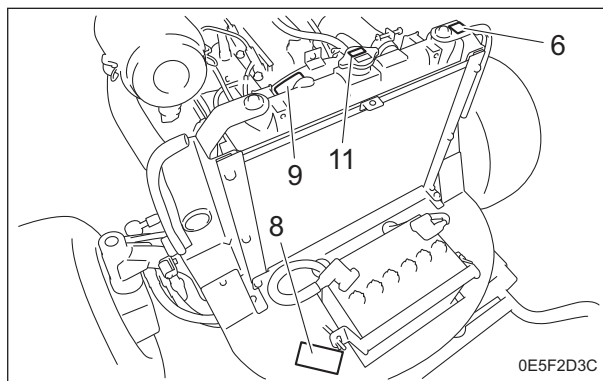
Safety decals and instruction decals are attached to this product. Make sure that they are preserved in their entirety. If they are damaged, become dirty, or peel off, replace them with new ones.

Part numbers for decals that need to be replaced are listed in the parts catalog. Order them from a Baroness dealer or Kyoeshia.

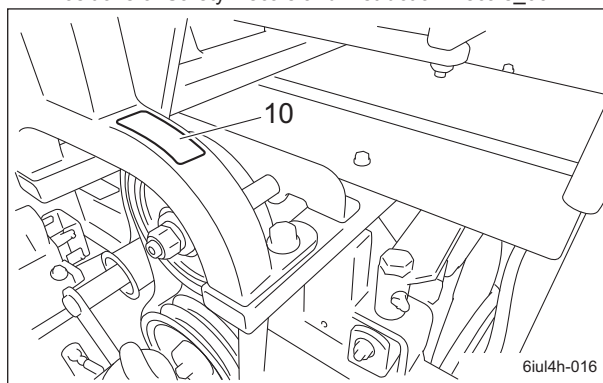
Positions of Safety Decals and Instruction Decals



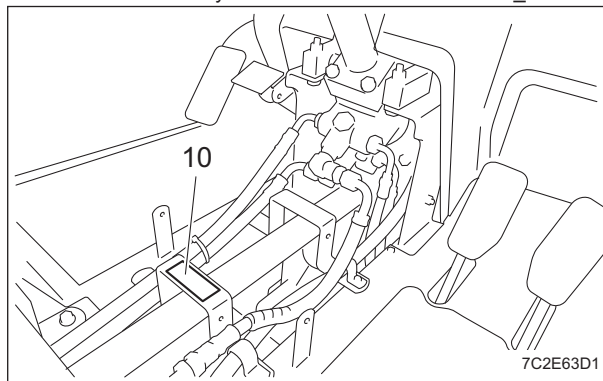
Positions of Safety Decals and Instruction Decals_001



Positions of Safety Decals and Instruction Decals_002



Positions of Safety Decals and Instruction Decals_003



Positions of Safety Decals and Instruction Decals_004

1	Caution to hot parts decal
2	Diesel fuel icon
3	Fire prohibited decal
4	Handling caution decal
5	Caution slope decal
6	Caution for high temperatures decal
7	Hydraulic oil icon
8	Caution to injury decal
9	Caution to getting entangled decal
10	PTO caution decal
11	Caution for spouting coolant decal

Description of Safety Decals and Instruction Decals

Caution to Hot Parts Decal

K4205001540
Decal for caution to hot parts



High temperature - Do not touch. Otherwise, you will get burned.

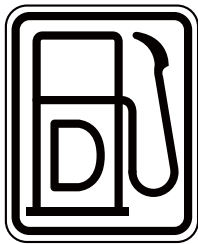


xekv4l-001

Caution to Hot Parts Decal_001

Diesel Fuel Icon

K4209001000
Diesel fuel icon
Use diesel fuel.



xmitt2-001

Diesel Fuel Icon_001

Fire Prohibited Decal

K4205001940
Decal, fire prohibited



Keep away from fire.



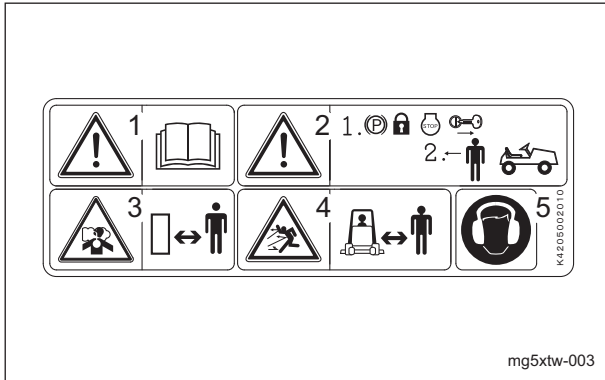
r653fo-001

Fire Prohibited Decal_001

Product Overview

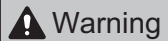
Handling Caution Decal

K4205002010
DECAL, CAUTION HANDLING



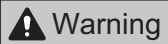
Handling Caution Decal_001

1.



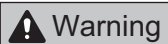
Read the Owner's Operating Manual.

2.



Apply the parking brake, stop the engine, and then remove the ignition key before leaving the machine.

3.



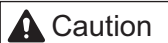
Be careful of exhaust emissions.

4.



Flying objects - Be sure that people around the machine keep a safe distance away.

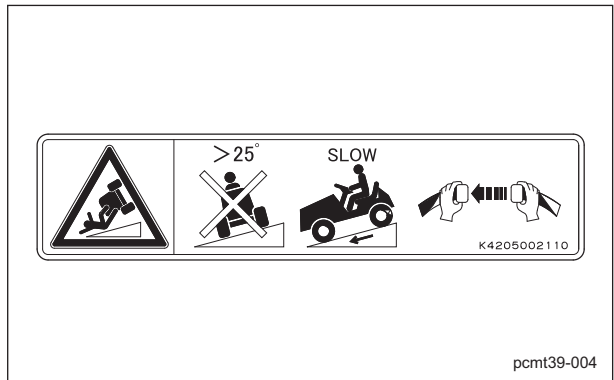
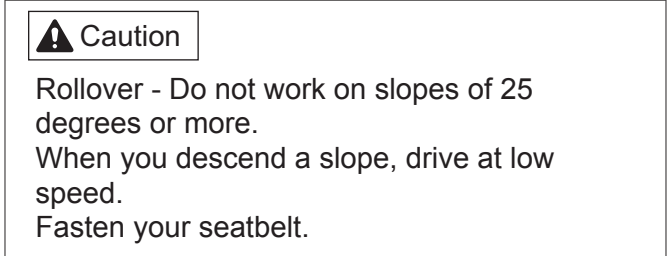
5.



Caution for noise emission

Caution Slope Decal

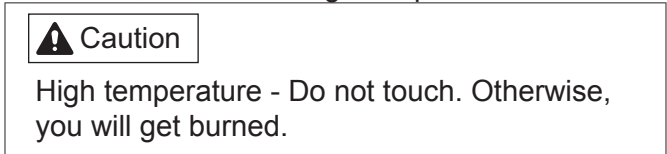
K4205002110
DECAL, ATTENTION AT SLOPE



Caution Slope Decal_001

Caution for High Temperatures Decal

K4205001920
Decal, caution for high temperatures

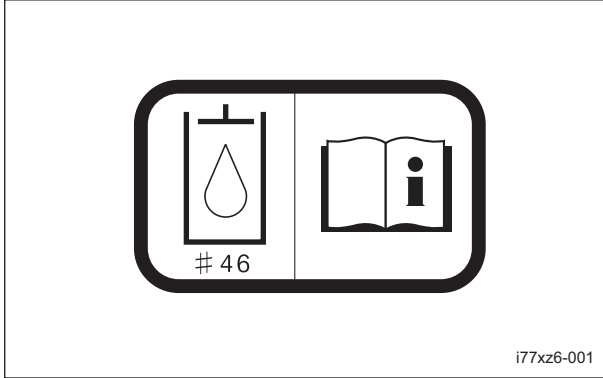


Caution for High Temperatures Decal_001

Product Overview

Hydraulic Oil Icon

K4209000980
Hydraulic oil icon
Read the Owner's Operating Manual.



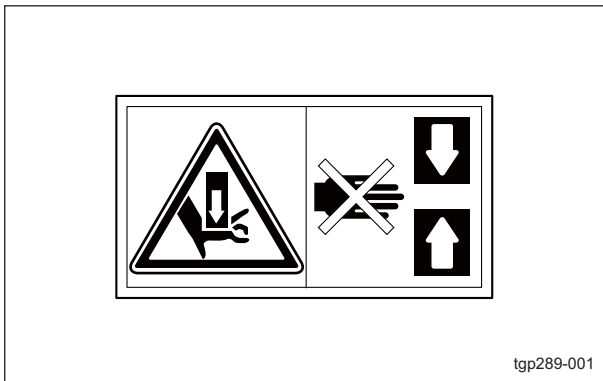
Hydraulic Oil Icon_001

Caution to Injury Decal

K4205001580
Decal, caution to injure

Caution

May pinch - There is a risk of being pinched.



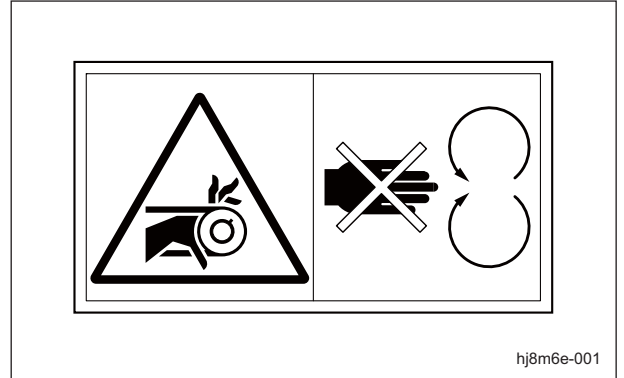
Caution to Injury Decal_001

Caution to Getting Entangled Decal

K4205001910
Decal, caution to getting entangled

Warning

Watch for rotating parts - Keep your hands away from the belts while the engine is running.



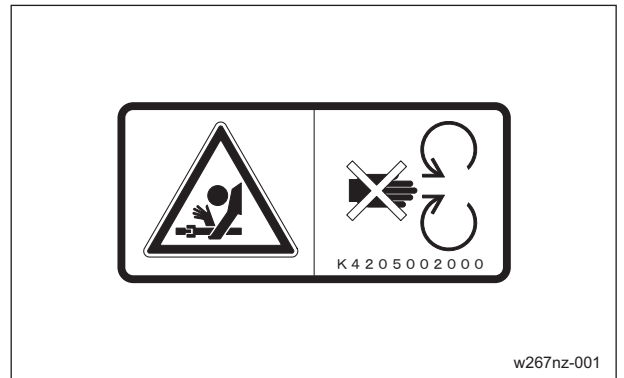
Caution to Getting Entangled Decal_001

PTO Caution Decal

K4205002000
Decal, caution PTO

Warning

Watch for rotating parts - Keep your hands away from the joints while the engine is running.



PTO Caution Decal_001

Product Overview

Caution for Spouting Coolant Decal

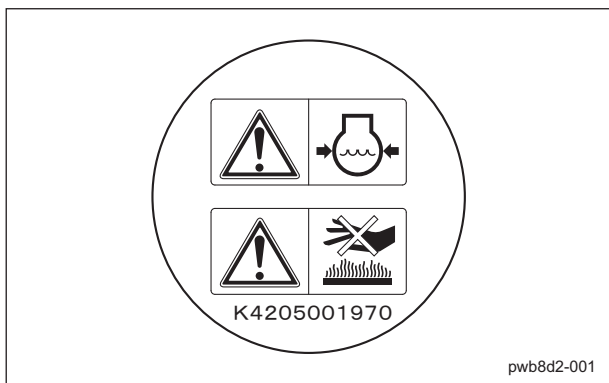
K4205001970

Decal, caution for spouting coolant

 Caution

Caution for spouting coolant - Do not open while hot.

High temperature - Do not touch. Otherwise, you will get burned.



Caution for Spouting Coolant Decal_001

Handling Instructions

Pre-installation Adjustments Page 4-2

- Installation of Attachments Page 4-2
- Installation of Universal Joint Page 4-2

Inspections Page 4-2

- Hood Page 4-2
- Radiator Page 4-3
- Coolant Page 4-3
- Hydraulic Oil Page 4-4
- Hydraulic Hoses Page 4-5
- Air Cleaner Page 4-5
- Battery Page 4-6
- Electrical Wiring Page 4-7
- Tire Page 4-7
- Brake Page 4-7
- Clutch Page 4-8
- Belt Page 4-8
- Wire Page 4-8
- Around The Engine Page 4-8
- Engine Oil Page 4-8
- Fuel Page 4-9
- Fuel Filter Page 4-10
- Oil Leakage Page 4-10

Tightening Torques Page 4-11

- Standard Tightening Torques Page 4-11
- Principal Tightening Torques Page 4-14

Adjustment before Work Page 4-15

- Adjustment of Steering Wheel Page 4-15
- Adjustment of Seat Page 4-15

Procedure to Start/Stop Engine Page 4-16

- Start/Stop of Engine Page 4-16
- Safety Mechanisms Page 4-17
- Warning Mechanisms Page 4-17

Operation Method Page 4-17

- Cautions for when You Leave The Machine Page 4-17
- Positions of Operation Decals Page 4-17
- Description of Operation Decals Page 4-18

- Throttle Lever Page 4-20
- Mower Deck Up/Down Switch Page 4-21
- Knife Rotation Lever Page 4-21
- 2WD/4WD Selector Lever Page 4-21
- Traveling Pedal Page 4-22
- Brake Pedal Page 4-22
- Parking Brake Lever Page 4-22
- Hood Page 4-23
- Rear Cover Page 4-23
- Center Cover Page 4-24
- Seatback Cover Page 4-24
- Underseat Cover Page 4-25

Instruments Page 4-25

- Instruments on the Operation Panel Page 4-25
- Tachometer/Hour Meter Page 4-25
- Water Temperature Gauge Page 4-26
- Pilot Lamps Page 4-26
- Angle Meter Page 4-27

Move Page 4-27

- Traveling Procedure Page 4-27
- Towing the Machine Page 4-28

Cutting Work Page 4-29

- Cutting Operation Page 4-29

Transporting Page 4-29

- Transporting Procedure Page 4-29

Storage Page 4-29

- Long-Term Storage Page 4-29

Handling Instructions

Pre-installation Adjustments

Installation of Attachments

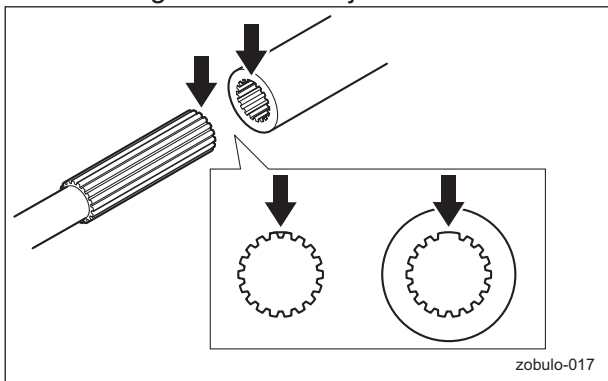
For details on installing the attachment, please refer to the separate attachment's Operating Manual.

Installation of Universal Joint

Important

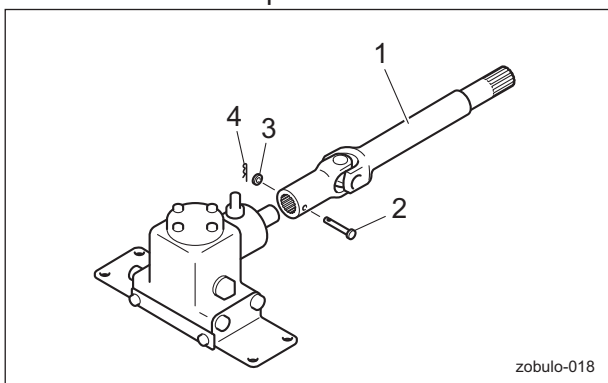
Check the alignment point of the splines before installing (inserting) the universal joint.

1. Check the alignment point of the splines for connecting the universal joint.



Installation of Universal Joint_001

2. Align the holes of the universal joint and gearbox, and then install it with the pin, washer and cotter pin.



Installation of Universal Joint_002

1	Universal joint
2	Pin
3	Washer
4	Cotter pin

Note:

For removing the universal joint, reverse the installation procedure.

Inspections

Inspect the machine according to the maintenance schedule so that you will be able to take advantage of its optimum performance for a long period of time.

Hood

Inspection of Hood (Intake)

1. Make sure that there is no damage to the hood.
2. Make sure that the intake is not dirty.

Cleaning of Hood (Intake)

Important

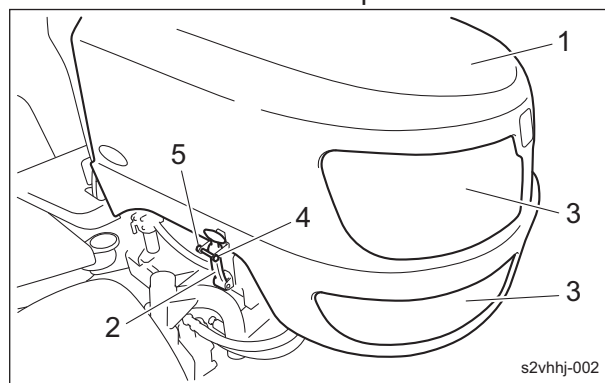
An unclean hood intake may cause overheating or damage to the engine. It may also cause malfunction of the hydraulic system.

Important

While cleaning, do not allow water to get on the engine. This may cause damage to the engine.

If the intake has been contaminated with dust, be sure to clean it. After operating the machine in a dusty environment, it is important to remove dust as soon as possible.

1. Open the hood.
2. Carefully clean the inside and outside of the intake with water or compressed air.



Cleaning of Hood (Intake)_001

Handling Instructions

1	Hood
2	Rubber catch
3	Intake
4	Bolt
5	Nut

Radiator

Inspection of Radiator

1. Make sure that there is no damage to the radiator.
2. Make sure that the radiator is not contaminated.

Cleaning of Radiator

Important

An unclean radiator may cause overheating or damage to the engine. It may also cause malfunction of the hydraulic system.

Important

While cleaning, do not allow water or dust to enter the air intake. This may cause damage to the engine.

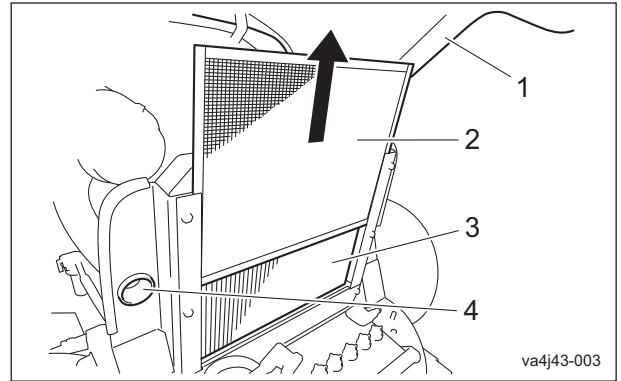
Important

Do not use solid objects, such as a spatula or screwdriver, or high-pressure water to clean the radiator or oil cooler. Otherwise, special fins or tubes may be damaged, possibly resulting in reduced cooling performance or coolant leakage.

If the radiator has been contaminated with dust, be sure to clean it. After operating the machine in a dusty environment, it is important to remove dust as soon as possible.

1. Open the hood.

2. Pull the dust screen up to remove it.



Cleaning of Radiator_001

1	Hood
2	Dust screen
3	Radiator
4	Air intake

3. Carefully clean the front and back of the dust screen and radiator with water or compressed air.

Coolant

Inspection of Coolant

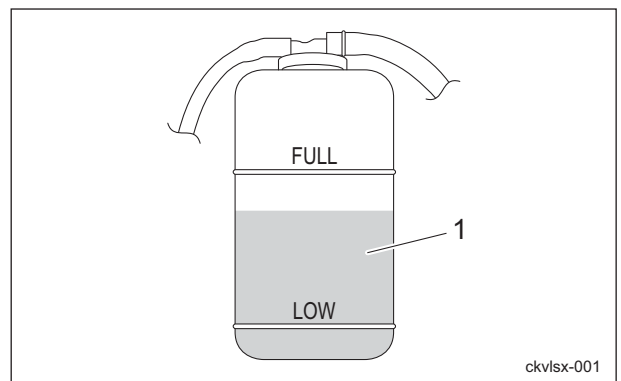
⚠ Caution

Do not touch the radiator or coolant during engine operation or immediately after the engine has been turned off. Otherwise, you may get burned.

⚠ Caution

Inspection should take place after the engine has well cooled down.

1. Make sure that the coolant level in the reserve tank is between "FULL" and "LOW."



Inspection of Coolant_001

1	Reserve tank
---	--------------

Handling Instructions

Coolant Supply

⚠ Caution

Do not touch the radiator or coolant during engine operation or right after the engine has been turned off. Due to high temperatures, doing so could cause burns.

⚠ Caution

Supply coolant after the engine has well cooled down.

⚠ Caution

The radiator cap is pressurized. If you remove the radiator cap while the engine is overheated, hot steam will burst out, possibly resulting in burns. Make sure that the water temperature and pressure are reduced, and then grab the cap with a thick cloth and gradually open the cap.

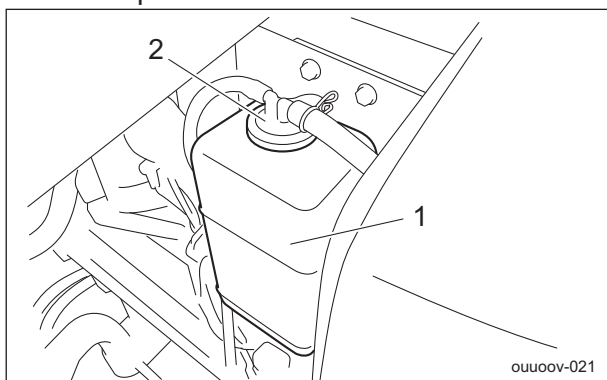
Important

When you supply coolant, be sure to use clean water, such as tap water.

Important

Tightly close the radiator cap. If the cap is loose or incorrectly installed, the engine will be overheated due to water leakage, resulting in engine damage.

1. If the coolant level in the reserve tank is lower than the "LOW" mark, open the reserve tank cap and fill the tank with clean water up to the "FULL" mark.



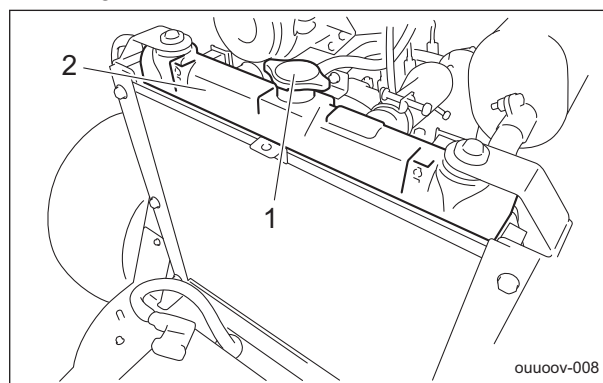
Coolant Supply_001

1	Reserve tank
2	Reserve tank cap

2. If no coolant is in the reserve tank, follow the steps below to fill the tank with clean water.

[1] Open the radiator cap, and then supply clean water up to the opening.

[2] Open the reserve tank cap, and then supply clean water up to the "FULL" mark.



Coolant Supply_002

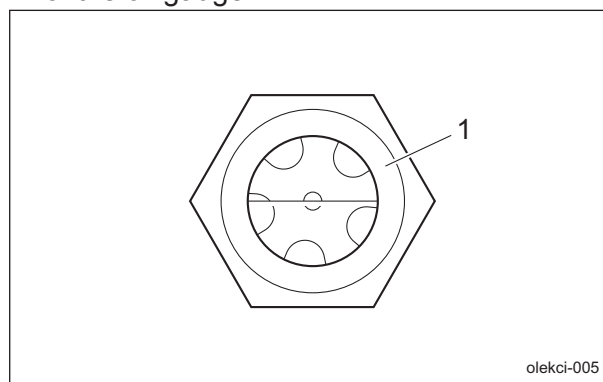
1	Radiator cap
2	Radiator

Hydraulic Oil

Inspection of Hydraulic Oil

The oil gauge is on the side of the hydraulic tank.

1. Raise the mower decks and maintain that position on a level surface.
2. Make sure that the oil level is at the middle of the oil gauge.



Inspection of Hydraulic Oil_001

1	Oil gauge
---	-----------

3. Check underneath the machine for oil leakage.

Handling Instructions

Hydraulic Oil Supply

Important

Do not mix different types of oil.

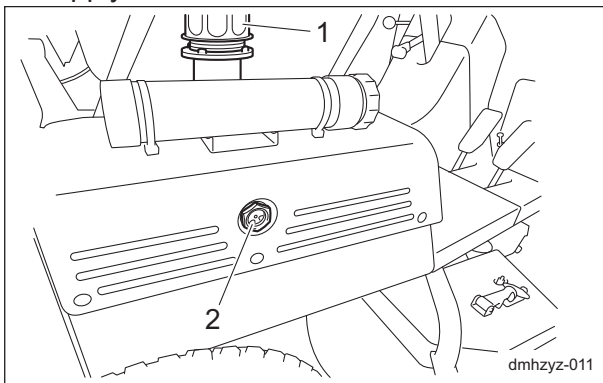
Important

Use Shell Tellus S2M46 (or equivalent) as hydraulic oil. In case of an equivalent, consult Characteristics of Hydraulic Oil and use hydraulic oil whose characteristics are superior to those of the specific hydraulic oil. Especially regarding kinematic viscosity and viscosity index, use of hydraulic oil whose figures are less than those of the specified hydraulic oil will cause a malfunction in the hydraulic circuit.

Note:
Characteristics of Hydraulic Oil

Specified Hydraulic Oil		Shell Tellus S2M46
ISO Viscosity Grade		ISO VG46
Density	15 °C (59 °F)	0.873 g/cm ³ (0.0315 lb/in ³)
API Gravity		30.6
Flash Point (Open Cup)		230 °C (446 °F)
Pour Point		-30 °C (-22 °F)
Kinematic	40 °C (104 °F)	46 mm ² /s (46 cSt)
Viscosity	100 °C (212 °F)	7 mm ² /s (7 cSt)
Viscosity Index		109

1. If the oil level is low, open the tank cap and supply oil.



Hydraulic Oil Supply_001

1	Tank cap
2	Oil gauge

2. Securely close the tank cap.

3. Start the engine, raise and lower the mower decks, and turn the steering wheel left and right. Move forward and reverse repeatedly several times.
4. Raise the mower decks and maintain that position on a level surface, and then check to see if the oil level is at the middle of the oil gauge. If necessary, supply oil.
5. Check underneath the machine for oil leakage.

Hydraulic Hoses

Inspection of Hydraulic Hoses

Warning

When checking the hydraulic circuit for pinhole leaks or oil leakage from nozzles, do not use your hands. Use items such as paper or corrugated cardboard to find leakage points.

Be extremely careful with high-pressure oil as it may pierce your skin, resulting in personal accidents.

If fluid is injected into the skin it must be surgically removed within a few hours by a doctor familiar with this form of injury or gangrene may result.

Check the pipes and hoses to make sure that there is no oil leakage, circuit damage, looseness, wear, connector looseness, weather deterioration and chemical deterioration.

Make any necessary repairs before operating the machine.

Air Cleaner

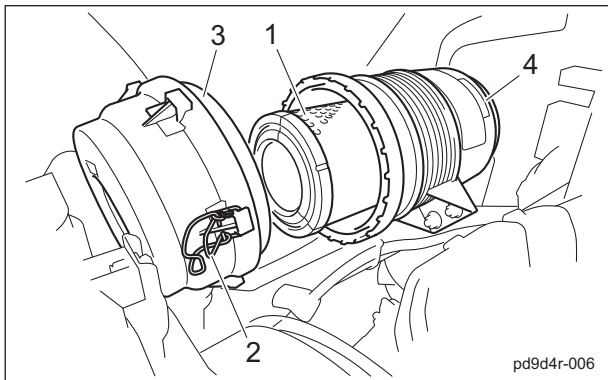
Inspection of Air Cleaner

The air cleaner is a component that removes dirt from the intake air to prevent wear of the cylinder liners and piston rings so that the engine will always operate smoothly. A contaminated air cleaner element may cause malfunction of the engine.

1. Make sure that there is no damage to the air cleaner.

Handling Instructions

2. Make sure that the air cleaner element is not contaminated.



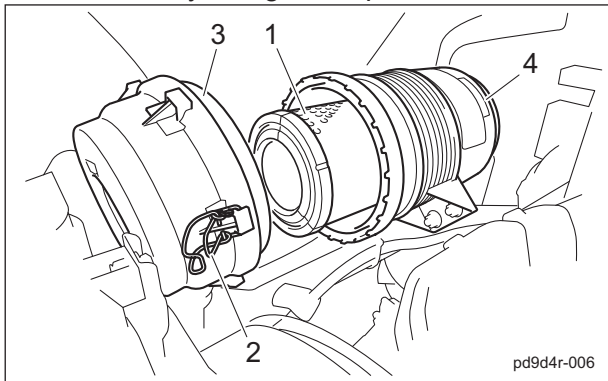
Inspection of Air Cleaner_001

1	Air cleaner element
2	Clip
3	Air cleaner cap
4	Air cleaner body

Cleaning of Air Cleaner

A contaminated air cleaner element may cause malfunction of the engine. To maximize the life of the engine, clean the air cleaner properly.

- Follow the steps below to clean the air cleaner.
 - Remove the clip, and then remove the air cleaner cap.
 - Remove the air cleaner element.
 - While paying close attention not to damage the air cleaner element, tap a solid portion of the air cleaner element or blow compressed air from its inside to remove dust and dirt.
 - Attach the air cleaner element to the air cleaner body.
 - Re-place the air cleaner cap, and then fix it securely using the clips.



Cleaning of Air Cleaner_001

1	Air cleaner element
2	Clip
3	Air cleaner cap
4	Air cleaner body

Battery

Inspection of Battery

Danger

Keep fire away while inspecting or charging the battery. The battery may explode.

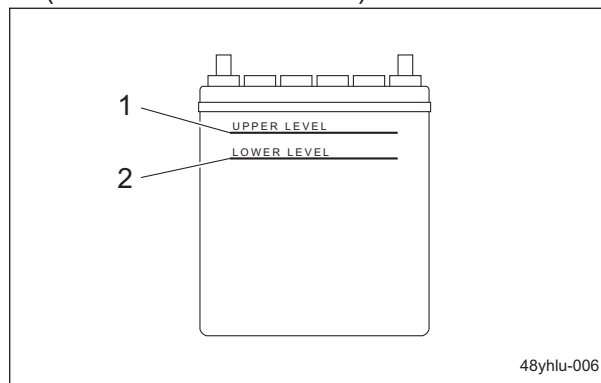
Warning

Do not allow the battery fluid level to become lower than the LOWER LEVEL (minimum fluid level line). The battery may explode if it is used or charged while the battery fluid level is at the LOWER LEVEL (minimum fluid level line).

Caution

Implement after the engine and muffler etc. have well cooled down. Otherwise you may get burned.

- Clean the areas around the battery fluid level lines using a cloth dampened with water.
- Make sure that the battery fluid level is between the UPPER LEVEL (maximum fluid level line) and the LOWER LEVEL (minimum fluid level line).



Inspection of Battery_001

1	UPPER LEVEL
2	LOWER LEVEL

Handling Instructions

Supply of Battery Fluid

Danger

Be careful not to let your skin, eyes or clothes, etc., come into contact with the battery fluid or accidentally swallow the fluid. Should your skin or clothes come into contact with the battery fluid, immediately wash them away with water.

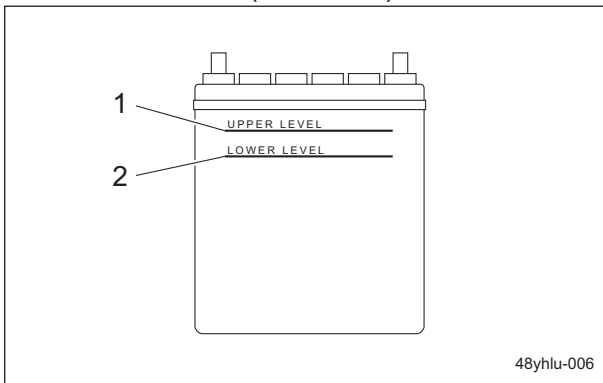
Danger

When you supply battery fluid, wear protective garments and safety glasses, etc.

Caution

Implement after the engine and muffler etc. have well cooled down. Otherwise you may get burned.

1. If the battery fluid level is lower than halfway between the UPPER LEVEL (maximum) line and LOWER LEVEL (minimum) line, add purified water up to the UPPER LEVEL (maximum) line.



Supply of Battery Fluid_001

1	UPPER LEVEL
2	LOWER LEVEL

Electrical Wiring

Inspection of Electrical Wiring

Important

Electrical short circuit will cause fire, electrical leakage and malfunction of electrical equipments.

Inspect electrical wiring for poor terminal connections, damaged wiring or terminals, loose connections, weather-related deterioration and chemical-related deterioration.

If necessary, repair before operating the machine.

Tire

Inspection of Tires

1. Check the pneumatic pressure of the tires.
2. Make sure that there are no cracks, damage or abnormal wear.

	Tire size	Pneumatic pressure
Front wheel	21 x 11.00 - 10	140 kPa (1.4 kgf/cm ²)
Rear wheel	21 x 11.00 - 10	140 kPa (1.4 kgf/cm ²)

Brake

Inspection of Brake Pedal

1. When depressing the brake pedal fully, make sure that there is appropriate clearance between the floorboard and the pedal or pedal reserve distance.
2. When depressing the brake pedal fully, make sure that the pedal reaction is not spongy and that there is no noise.
3. When depressing the brake pedal during traveling, make sure that the machine stops smoothly and the braking is sufficiently effective.

Inspection of Parking Brake

1. Make sure that the parking brake is applied after depressing the brake pedal and pulling the parking brake lever.
2. Make sure that the parking brake is not applied even slightly after depressing the brake pedal to release the parking brake lever.

Inspection of Knife Brake

Make sure that the rotary knife stops rotating within 7 seconds after the knife rotation lever is set from the "Rotation" position to the "Stop" position.

Handling Instructions

Clutch

Inspection of Clutch

1. Operate the clutch levers and check that the clutch operates perfectly.
2. Make sure that the clutch levers function well.

Belt

Inspection of Belt

Warning

The engine must be stopped when the belt is inspected.

Warning

If you have removed the cover during inspection, make sure that you replace it in the original position securely. If the cover remains removed, the operator may come in contact with the rotating objects or belt, possibly resulting in injuries.

Important

A slacking or damaged belt or damaged fan may cause overheating or lack of a battery charge.

1. Press the middle of the belt with your finger to check the belt tension.
2. Make sure that there are no cracks, damage or abnormal wear.

Wire

Inspection of Wire

1. Make sure that the wire is not cracked or damaged.
2. If the wire is cracked or damaged, replace it with a new one immediately.

Around The Engine

Inspection of Engine-Associated Parts

1. Check the fuel system parts for loosened or cracked joints and leakage. Replace the parts if necessary.
2. Blow compressed air to clean any grass or flammable materials that may be attached on or around the muffler.

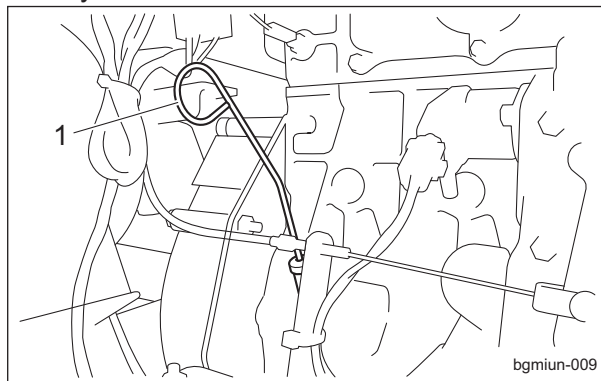
Engine Oil

Inspection of Engine Oil

Important

Securely tighten the oil level gauge and oil filler cap.

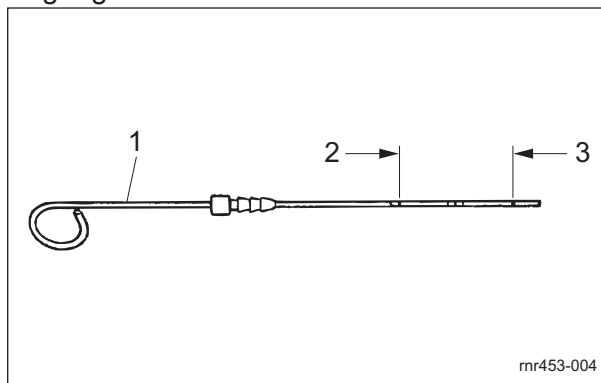
1. Stop the engine, wait for 10 to 20 minutes for the engine to cool down, and then check the oil level.
2. Position the machine so that the engine will be level, then insert the oil gauge all the way to check the oil level.



Inspection of Engine Oil_001

1	Oil level gauge
---	-----------------

3. The appropriate oil level should be between the upper and lower limit lines on the gauge.



Inspection of Engine Oil_002

1	Oil level gauge
2	Upper limit
3	Lower limit

Handling Instructions

Supply of Engine Oil

Important

Do not supply too much engine oil. Otherwise, the engine may be damaged.

Important

Do not mix different types of engine oil.

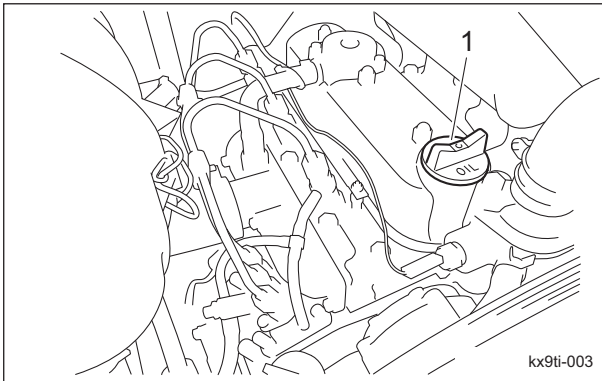
Important

Be sure to use engine oil that is classified as API Service Grade CF or higher, with an SAE Viscosity that is appropriate for the operating environment (ambient temperature).

Important

Securely tighten the oil level gauge and oil filler cap.

1. If the engine oil level is lower than the lower limit line on the oil level gauge, supply engine oil through the oil filling port. Remove the oil filler cap, and then supply new engine oil until the oil reaches a level in between the upper and lower limit lines on the oil level gauge.
2. Re-place the oil filler cap.



Supply of Engine Oil_001

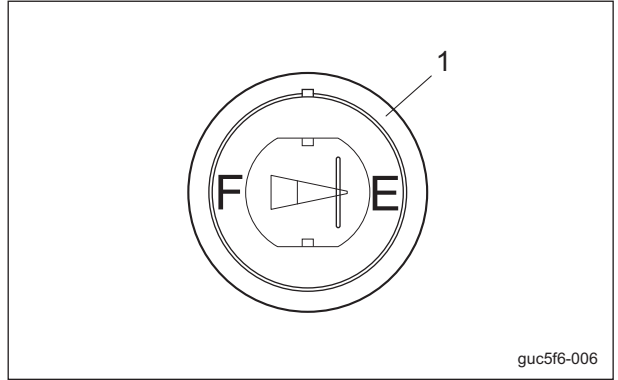
1	Oil filler cap
---	----------------

3. It will take a while for the supplied engine oil to descend into the oil pan. Check the oil level again 10 to 20 minutes after supplying the oil.

Fuel

Inspection of Fuel Quantity

Position the machine so it is level, and then observe the fuel gauge located on the fuel tank to check the fuel level.



Inspection of Fuel Quantity_001

1	Fuel gauge
---	------------

Fuel Supply

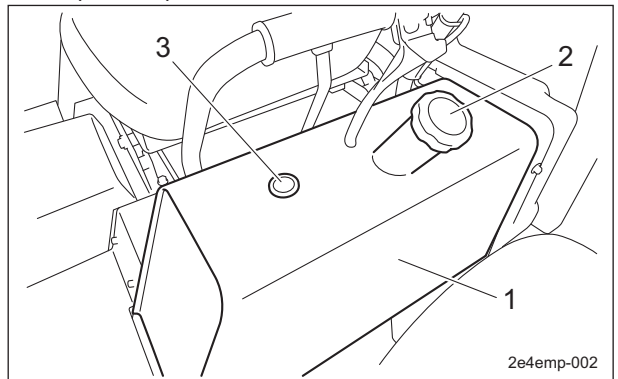
Warning

Do not supply fuel above F (FULL) level of the fuel gauge. If you supply too much fuel, it might overflow from the fuel cap when you travel or work on a slope.

Warning

Keep fire away while refueling. Do not smoke while refueling.

If the fuel gauge located on the fuel tank indicates a level close to E (EMPTY), supply fuel (diesel) at your earliest convenience. The fuel tank capacity is approximately 23.0 dm³ (23.0 L).



Fuel Supply_001

Handling Instructions

1	Fuel tank
2	Tank cap
3	Fuel gauge

Fuel Filter

Inspection of Fuel Filter

The fuel filter works to remove foreign objects mixed into the fuel.

When the fuel flow becomes insufficient, replace the fuel filter if necessary.

1. Make sure that there is no fuel leakage.
2. Make sure that the fuel filter is not damaged or dirty.

Oil Leakage

Inspection of Oil Leakage



Caution

When performing maintenance on the hydraulic system, lower the mower decks.

After approximately 50 hours of operation, some tightened portions may be loosened and oil and grease may leak.

Be sure to retighten the parts.

Check the bottom of the machine for oil and grease leakage.

Tightening Torques

Important

Refer to the Tightening Torque table.
Note that the Baroness product warranty may not apply to defects caused by incorrect or overtorque tightening, etc.

Standard Tightening Torques

Bolts and Nuts

Important

A number of bolts are used in each part of this machine.
Be sure to re-tighten the bolts and nuts, because they may be loosened at the earlier stage of the use.

As to the bolts and nuts without any special instruction, tighten them in appropriate tightening torque with proper tool.

Too much tightening may cause the looseness or damage of the screw.

The strength of tightening is determined by types of screws, strength, the friction of thread face or base face and others.

The table below is for the galvanized or parkerized bolts.

In case that the strength of internal thread is weak, it is not applied.

Do not use rusty or sand attached "screw."

Otherwise, it may cause insufficient tightening even if you apply the specified tightening torque.

The friction of the screw face becomes higher and the tightening torque is canceled out by the friction, therefore sufficient tightening cannot be applied.

If "screw" is wet by water or oil, do not tighten it with normal tightening torque.

If the screw is wet, the torque coefficient will get smaller and it may result in too much tightening.


Too much tightening may cause looseness by the screw stretched or result in damage.

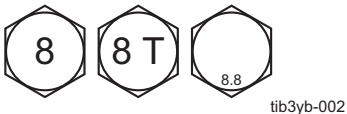
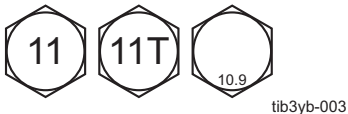
Do not use a bolt experienced too much burden.

Using the impact wrench requires the skill.

Do exercise as much as possible for steady tightening.

Handling Instructions

Nominal diameter	General bolt		
	Strength classification 4.8		
			
	N-m	kgf-cm	lb-in
M5	3 - 5	30.59 - 50.99	26.55 - 44.26
M6	7 - 9	71.38 - 91.77	61.96 - 79.66
M8	14 - 19	142.76 - 193.74	123.91 - 168.17
M10	29 - 38	295.71 - 387.49	256.68 - 336.34
M12	52 - 67	530.24 - 683.20	460.25 - 593.02
M14	70 - 94	713.79 - 958.52	619.57 - 831.99
M16	88 - 112	897.34 - 1142.06	778.89 - 991.31
M18	116 - 144	1,182.85 - 1,468.37	1,026.72 - 1,274.54
M20	147 - 183	1,498.96 - 1,866.05	1,301.10 - 1,619.73
M22	295	3,008.12	2,611.05
M24	370	3,772.89	3,274.87
M27	550	5,608.35	4,868.05
M30	740	7,545.78	6,549.74

Nominal diameter	Heat-treated bolt					
	Strength classification 8.8			Strength classification 10.9		
						
	N-m	kgf-cm	lb-in	N-m	kgf-cm	lb-in
M5	5 - 7	50.99 - 71.38	44.26 - 61.96	7 - 10	71.38 - 101.97	61.96 - 88.51
M6	8 - 11	81.58 - 112.17	70.81 - 97.36	14 - 18	142.76 - 183.55	123.91 - 159.32
M8	23 - 29	234.53 - 295.71	203.57 - 256.68	28 - 38	285.52 - 387.49	247.83 - 336.34
M10	45 - 57	458.87 - 581.23	398.30 - 504.51	58 - 76	591.43 - 774.97	513.36 - 672.68
M12	67 - 85	683.20 - 866.75	593.02 - 752.34	104 - 134	1,060.49 - 1,366.40	920.50 - 1186.03
M14	106 - 134	1,080.88 - 1,366.40	938.21 - 1,186.03	140 - 188	1,427.58 - 1,917.04	1,239.14 - 1,663.99
M16	152 - 188	1,549.94 - 1,917.04	1,345.35 - 1,663.99	210 - 260	2,141.37 - 2,651.22	1,858.71 - 2,301.26
M18	200 - 240	2,039.40 - 2,447.28	1,770.20 - 2,124.24	280 - 340	2,855.16 - 3,466.98	2,478.28 - 3,009.34
M20	245 - 295	2,498.27 - 3,008.12	2,168.50 - 2,611.05	370 - 450	3,772.89 - 4,588.65	3,274.87 - 3,982.95
M22	-	-	-	530	5,404.41	4,691.03
M24	-	-	-	670	6,831.99	5,930.17
M27	-	-	-	1,000	10,197.00	8,851.00
M30	-	-	-	1,340	14,628.78	11,860.34

Note:

The same values are applied to "fine screw thread."

Handling Instructions

Hydraulic Hose

The tightening torques for union joints and union adaptors with parallel pipe threads (G, PF) are shown in the table below.

A union joint or adaptor will not become loose or leak as long as it is tightened by the specified torque.

If fluid leaks from the sealed portion, do not attempt to tighten the union joint or adaptor forcibly. Examine whether any foreign matter or scratches are present on the seat surface.

Tightening a union joint or adaptor forcibly could damage the connection of the joints.

When tightening a union joint or adaptor, use a torque wrench where possible and firmly tighten it by an appropriate torque.

Nominal diameter of the hose size	Nominal diameter of the parallel pipe threads (G, PF)	Tightening torque		
		N-m	kgf-cm	lb-in
6	1/4	24.50	250	221.28
9	3/8	49.03	500	564.91
12	1/2	58.84	600	677.89
15	3/4	117.68	1200	1,355.78
19	3/4	117.68	1200	1,355.78
25	1	137.30	1400	1,581.74
32	1-1/4	166.72	1700	1,920.69
38	1-1/2	205.94	2100	2,372.61
50	2	245.17	2500	2,824.54

Fittings with Parallel Threads (O-Ring Seal Type)

The tightening torques for fittings with parallel threads (O-ring seal method) are shown in the table below.

Tightening the fitting forcibly with a spanner or other such tool to secure it to a set position could damage the fitting, its washers, and other parts. Be sure to tighten the fitting to the torque appropriate to its size.

Nominal diameter of thread	Tightening torque		
	N-m	kgf-cm	lb-in.
1/4	34.32 - 49.03	350 - 500	309.79 - 442.55
3/8	68.65 - 78.45	700 - 800	619.57 - 708.08
1/2	98.07 - 117.68	1000 - 1200	885.10 - 1,062.12
3/4	147.10 - 176.52	1500 - 1800	1,327.65 - 1,593.18
1	245.17 - 274.59	2500 - 2800	2,212.75 - 2,478.28
1-1/4	294.20	3000	2,655.30
1-1/2	294.20	3000	2,655.30
2	392.27	4000	3,540.40

Handling Instructions

Principal Tightening Torques

Tightening Torque by Model

GM1700_Main vehicle

Tighten the following bolts and nuts at the torque specified in the table.

For thread locking adhesive, apply a middle strength thread locker (ThreeBond 1322 or equivalent anaerobic sealant).

Location		Code	Part name	Tightening torque			Thread locking adhesive
				N-m	kgf-cm	lb-in	
Front wheel	Wheel mounting base	K0138240002	24 slotted nut high P1.5	180 - 200	1,835.46 - 2,039.40	1,593.18 - 1,770.20	—
	Wheel	K0011120302	Bolt, 11T, heat-treated M12-30P1.5	67 - 85	683.20 - 833.75	593.02 - 752.34	—
Rear wheel	Wheel mounting base	K0160000492	24 special nut P1.5	180 - 200	1,835.46 - 2,039.40	1,593.18 - 1,770.20	○
	Wheel	K0011120302	Bolt, 11T, heat-treated M12-30P1.5	67 - 85	683.20 - 833.75	593.02 - 752.34	—
Engine base		K0017100252	Bolt, 8T, heat-treated, small, 10-25 P1.25	45 - 57	458.87 - 581.23	398.30 - 504.51	—
		K0100080002	Nut, M8	29 - 38	295.71 - 387.49	256.68 - 336.34	—
Joint mounting bracket front		K0017100252	Bolt, 8T, heat-treated, small, 10-25 P1.25	45 - 57	458.87 - 581.23	398.30 - 504.51	—
Joint mounting bracket rear		K0010100201	Bolt, heat-treated M10-20	58 - 76	591.43 - 774.97	513.36 - 672.68	—
Joint shaft housing		K0010080302	Bolt, 11T, heat-treated M8-30	14 - 19	142.76 - 193.74	123.91 - 168.17	—
Kingpin stopper		K0010120602	Bolt, 11T, heat-treated M12-60	Nut 52 - 67	530.24 - 683.20	460.25 - 593.02	—
Tie rod		K1610000020	Tie rod end right ass'y slotted nut	45	458.87	398.30	—
		K1611000020	Tie rod end left ass'y slotted nut	45	458.87	398.30	—
ROPS		K0010120402	Bolt, HT M12-40	104 - 134	1,060.49 - 1,366.40	920.50 - 1186.03	—
		K0010120502	Bolt, HT M12-50	104 - 134	1,060.49 - 1,366.40	920.50 - 1186.03	—

Handling Instructions

Adjustment before Work

Adjustment of Steering Wheel

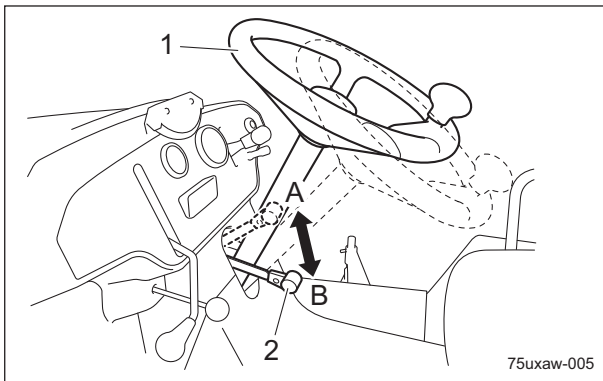
Warning

Since it is dangerous, do not adjust while traveling.

Caution

Be sure the steering wheel position is securely locked. It may result in an unexpected accident if it becomes loose while traveling.

The steering wheel can be adjusted up or down. Adjust the position according to the operator's body size. Shift the tilt lever to the "FREE" position, move the steering wheel to the position that suits your work requirements, and then shift the tilt lever to the "LOCK" position to secure the steering wheel in place. The tilt lever is located at the left in front of the driver's seat.

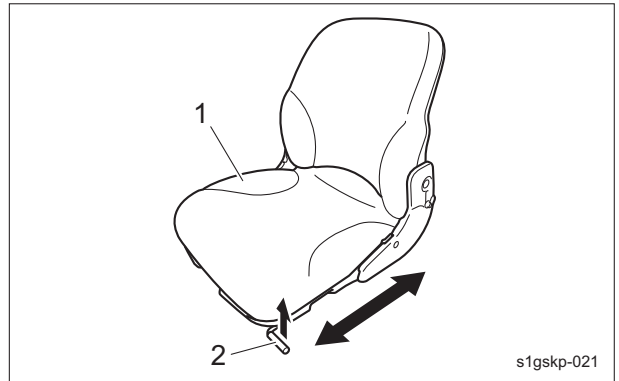


Adjustment of Steering Wheel_001

1	Steering wheel
2	Tilt lever
A	FREE (released)
B	LOCK (locked)

Adjustment of Seat

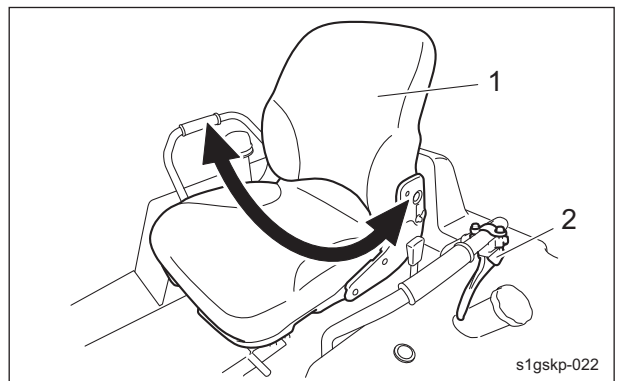
1. Use the adjustment lever to adjust the seat back and forth. Adjust the position according to the operator's body size. The adjustment lever is located beneath the front part of the seat.



Adjustment of Seat_001

1	Seat
2	Adjustment lever

2. Grip the adjustment lever and swing the seat to the left and right to adjust it to one of five positions. Use this to adjust the position while operating on contours. The adjustment lever is located at the top of the fuel tank.



Adjustment of Seat_002

1	Seat
2	Adjustment lever

Handling Instructions

Procedure to Start/Stop Engine

Start/Stop of Engine

Procedure to Start Engine

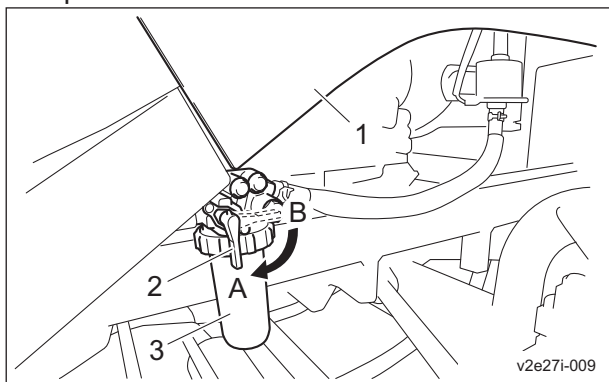
Caution

Before starting the engine, make sure that there are no other people or obstacles around the machine.

Important

Starter operation must take 15 seconds or less.
If the engine does not start, stop using the battery for 30 to 60 seconds to avoid exhausting the battery.

1. Open the fuel cock.



Procedure to Start Engine_001

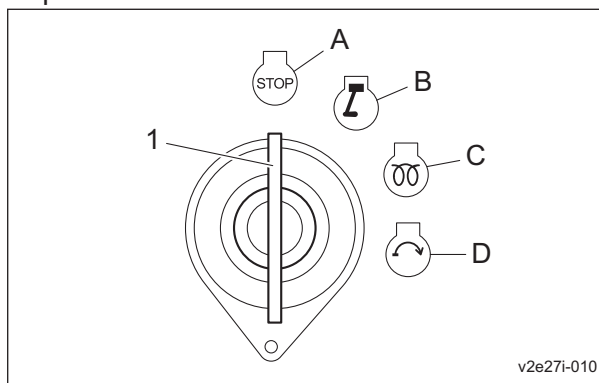
1	Hood
2	Fuel cock
3	Fuel filter
A	Open
B	Close

2. Sit on the seat.
3. Make sure that you have depressed the brake pedal and applied the parking brake lever.
4. Make sure that the knife rotation lever is set to the "Stop" position.
5. Make sure that the traveling pedal is in the neutral position.
6. Shift the throttle lever halfway from the "Low speed" position toward the "High speed" position.

Important

The thermo-start lamp turns off at the specified time. However, the lamp turning off is not related to the glow plug generating heat. If the ignition key is left in the "GLOW" position after the lamp is turned off, the plug will still generate heat. The lamp will stay illuminated for five seconds.

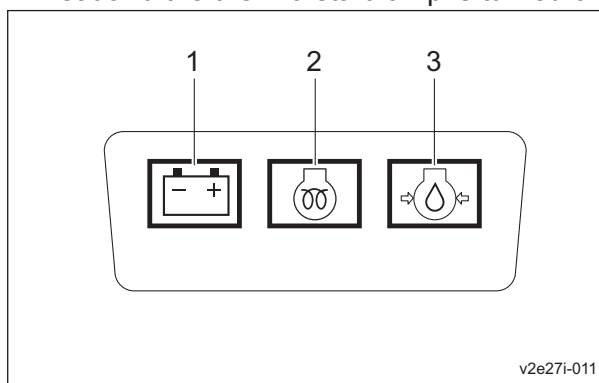
7. Switch the ignition key to the "GLOW" position.



Procedure to Start Engine_002

1	Ignition key
A	OFF
B	ON
C	GLOW
D	START

8. Make sure that the glow plug is generating heat and the thermo-start lamp is turned on.



Procedure to Start Engine_003

1	Charge lamp
2	Thermo-start lamp
3	Oil pressure lamp

Handling Instructions

Important

Quickly returning the ignition key from the "START" position to the "ON" position may result in damage to the machine.

9. After the thermo-start lamp turns off, immediately set the ignition key to the "START" position.
10. When the starter starts rotating and the engine starts, return the ignition key to the "ON" position slowly.
11. Make sure that the charge lamp and engine oil pressure lamp turn off. If they do not turn off, stop the engine and inspect the machine.
12. Engage the throttle lever to the "Low speed" position, and then warm up the engine for 1-2 minutes.
13. Gradually move the throttle lever to the "High speed" position.

Procedure to Stop Engine

1. Set the traveling pedal to the neutral position.
2. Depress the brake pedal, and then apply the parking brake lever.
3. Set the knife rotation lever to the "Stop" position.
4. Shift the throttle lever to the "Low speed" position, and then idle the machine for 1-2 minutes.
5. Switch the ignition key to the "OFF" position.
6. Make sure that the engine has stopped.
7. Remove the ignition key.
8. Leave the driver's seat.
9. Close the fuel cock.

Safety Mechanisms

This machine features a safety device for starting/stopping the engine.

1. As for starting the engine, the safety device prevents the engine from starting unless it meets each of the following four conditions.
 - An operator is sitting on the seat.
 - The parking brake is applied.
 - The knife rotation lever is set to the "Stop" position.

- The traveling pedal is set to the neutral position.
2. The safety device will be activated and will stop the engine under any of the following conditions:
 - The operator leaves the seat without applying the parking brake.
 - The operator leaves the seat while the knife is rotating.
 - The traveling pedal is operated while the parking brake is applied and the operator is away from the seat.

Warning Mechanisms

This machine features a warning mechanism for overheating.

1. If water temperature inside the engine exceeds 105 °C (221 °F), a buzzer will sound. (intermittent tone)

Operation Method

Cautions for when You Leave The Machine

Caution

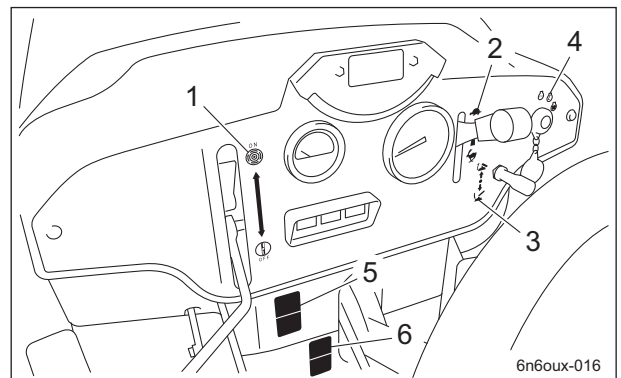
If the brakes are not sufficiently effective, use the wheel stoppers to secure the machine.

Caution

Never park the machine on a slope.

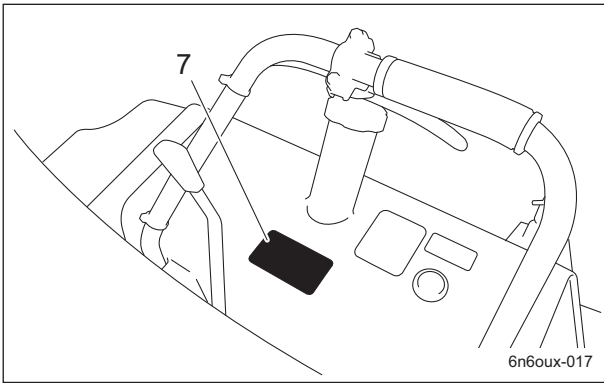
1. Park the machine on level ground.
2. Apply the parking brake.
3. Stop the engine.
4. Remove the ignition key.
5. Leave the machine.

Positions of Operation Decals

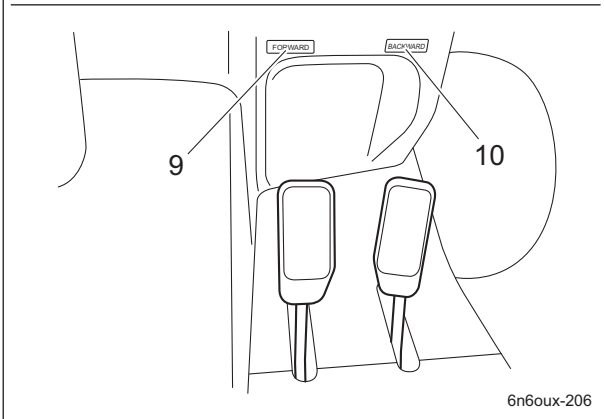
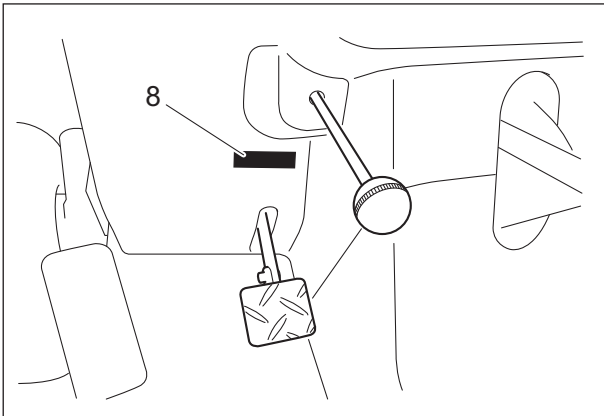


Positions of Operation Decals_001

Handling Instructions



Positions of Operation Decals_002



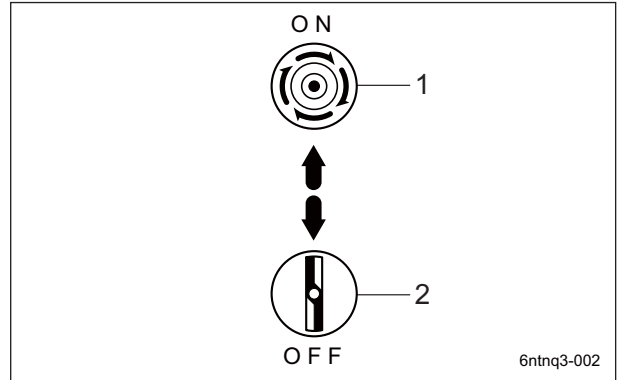
Positions of Operation Decals_003

1	Knife rotation mark
2	Engine rotation mark
3	Mower deck up/down mark
4	Key switch decal
5	Parking brake decal
6	Tilt steering decal
7	2WD - 4WD changeover decal
8	BRAKE decal
9	FORWARD decal
10	BACKWARD decal

Description of Operation Decals

Knife Rotation Mark

Knife rotation mark
It illustrates Rotation/Stop of the rotary knife.

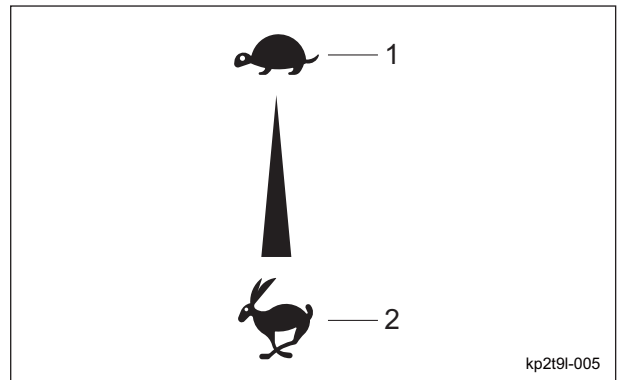


Knife Rotation Mark_001

1	Rotation
2	Stop

Engine Rotation Mark

Engine rotation mark
This indicates high/low speed of the engine rotation.



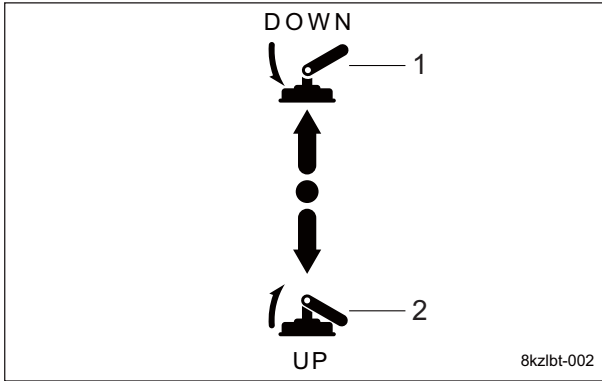
Engine Rotation Mark_001

1	Low speed
2	High speed

Handling Instructions

Mower Deck Up/Down Mark

Mower deck up/down mark
This indicates the Up/Down positions of the mower deck.

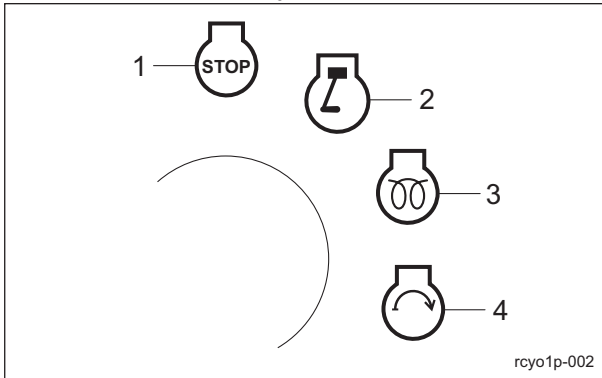


Mower Deck Up/Down Mark_001

1	Down
2	Up

Key Switch Mark

Key switch mark
This indicates the key switch positions.

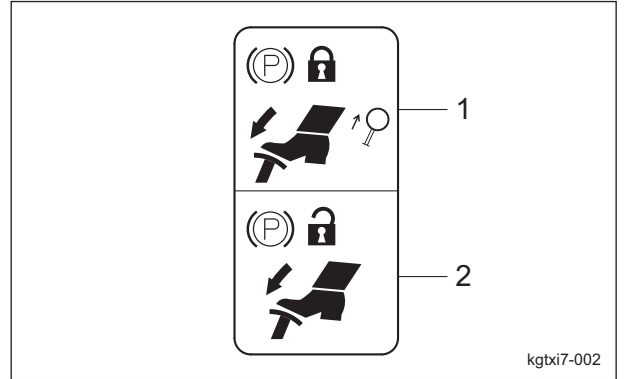


Key Switch Mark_001

1	OFF
2	ON
3	GLOW
4	START

Parking Brake Decal

K4203001340
Parking brake decal
This shows how to lock and release the parking brake.

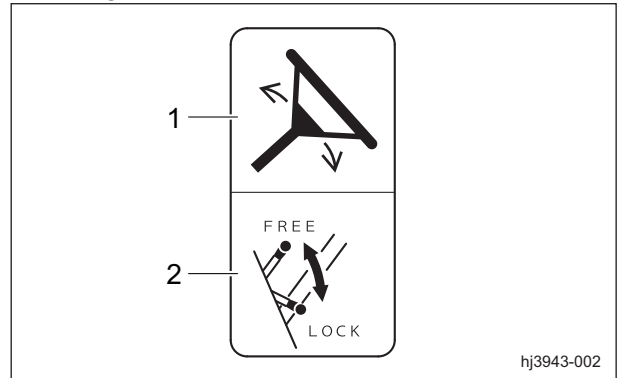


Parking Brake Decal_001

1	Lock
2	Release

Tilt Steering Decal

K4203001500
Tilt steering decal
This illustrates the tilt directions of the steering wheel and the locked/free positions.

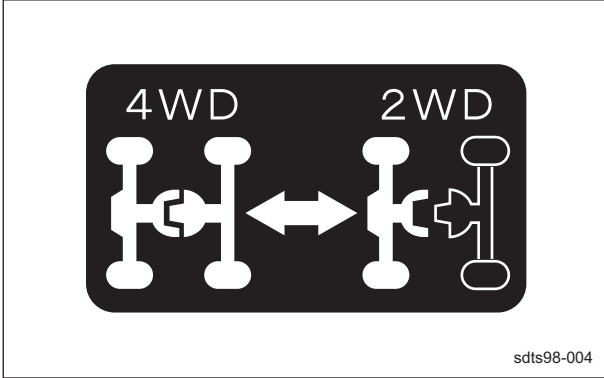


Tilt Steering Decal_001

Handling Instructions

2WD - 4WD Changeover Decal

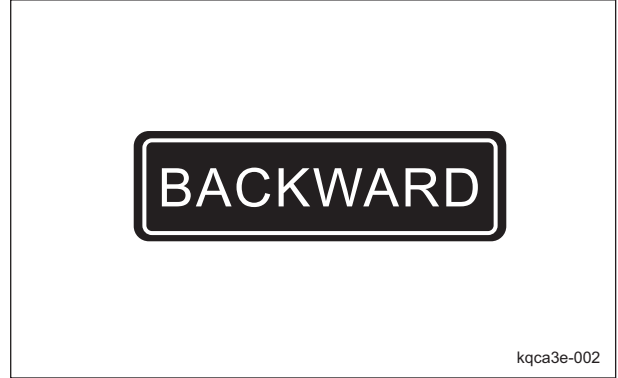
K4203001510
 DECAL, LEVER CHANGING 2WD / 4WD
 This indicates 2WD/4WD changeover.



2WD - 4WD Changeover Decal_001

BACKWARD Decal

K4203001440
 Decal, BACKWARD
 This indicates backward travel.



BACKWARD Decal_001

BRAKE Decal

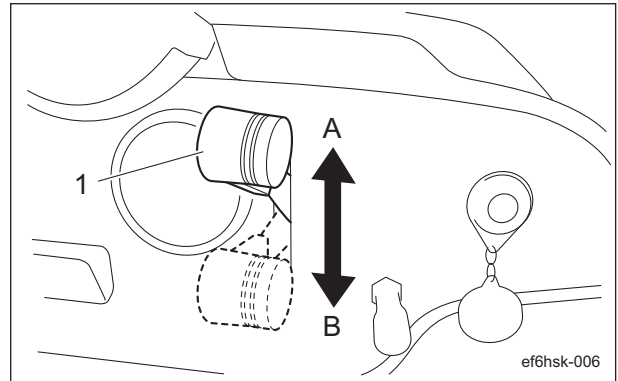
K4203001450
 Decal, BRAKE
 This indicates brake.



BRAKE Decal_001

Throttle Lever

The throttle lever is located in the operation panel and enables you to adjust the engine rpm. Move the throttle lever toward the "High speed" position to increase the engine rpm, and toward the "Low speed" position to reduce the rpm.



Throttle Lever_001

1	Throttle lever
A	Low speed
B	High speed

FORWARD Decal

K4203001430
 Decal, FORWARD
 This indicates forward travel.



FORWARD Decal_001

Handling Instructions

Handling Instructions

Mower Deck Up/Down Switch

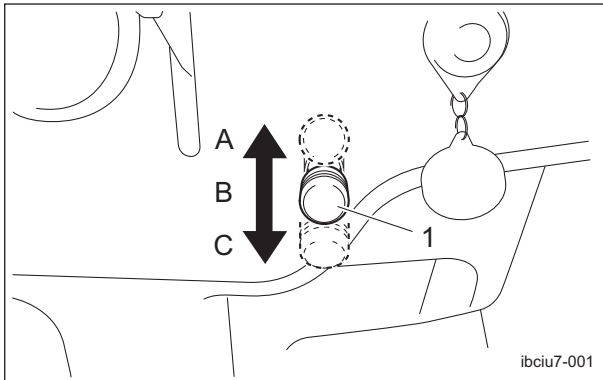
Caution

Before raising or lowering the mower decks, make sure that there are no people around the machine.

Caution

When traveling, be sure to stop the knives and raise the mower decks.

The mower deck up/down switch is located in the operation panel and raises or lowers the mower decks. When the switch is shifted to the "DOWN" position, the mower decks are lowered. When the switch is shifted to the "UP" position, the mower decks are raised. Release the switch to return it to the neutral position.



Mower Deck Up/Down Switch_001

1	Mower deck up/down switch
A	UP
B	Neutral
C	DOWN

Knife Rotation Lever

Caution

Just before you start cutting work, set the knife rotation lever to the "Rotation" position. At all other times, make sure it is set to the "Stop" position.

Caution

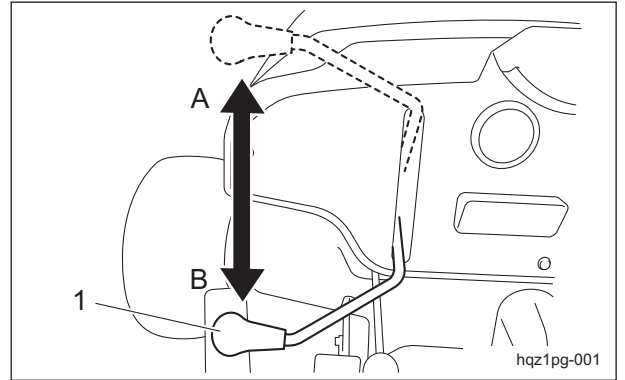
When traveling, be sure to stop the knives and raise the mower decks.

The knife rotation lever is located in the operation panel and controls the rotation of the rotary knives.

When the knife rotation lever is set to the "Rotation" position, all rotary knives rotate.

When the knife rotation lever is set to the "Stop" position, all rotary knives stop.

When the mower decks are raised, the rotary knives rotate if the lever is set to the "Rotation" position.



Knife Rotation Lever_001

1	Knife rotation lever
A	Rotation
B	Stop

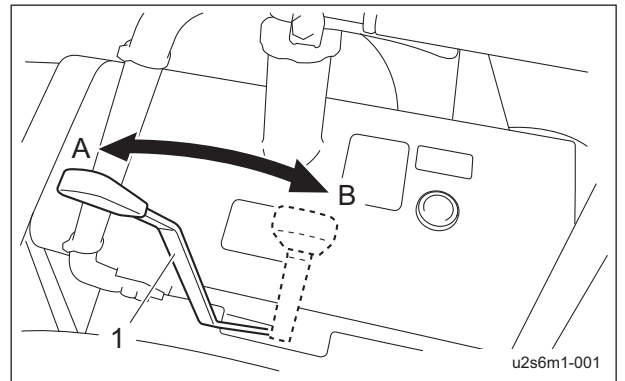
2WD/4WD Selector Lever

Caution

When working on a slope, be sure to use the machine in 4WD.

The 2WD/4WD selector lever is located to the left of the driver's seat.

When the 2WD/4WD selector lever is set to the "2WD" position, the machine will be in two-wheel drive (rear-wheel drive). When it is set to the "4WD" position, the machine will be in four-wheel drive.



2WD/4WD Selector Lever_001

Handling Instructions

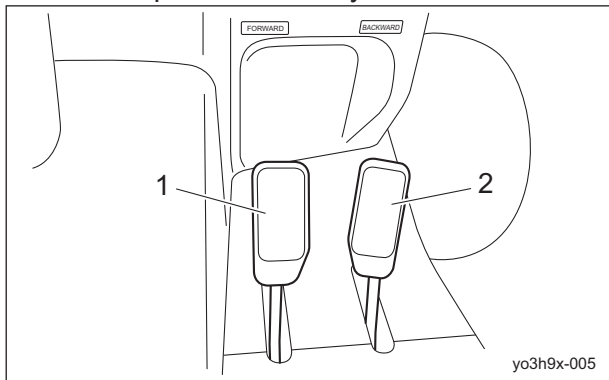
1	2WD/4WD selector lever
A	4WD
B	2WD

Traveling Pedal

Caution

When the machine is traveling at a high speed, it will not stop immediately after you take your foot off the traveling pedal. If necessary, also use the brake.

The traveling pedals are located in the right foot area and control forward and reverse operation of the machine. When the forward pedal (inside) is depressed, the machine travels forward. When the reverse pedal (outside) is depressed, the machine travels in reverse. The speed changes in accordance with how much the pedal is depressed. When you take your foot off the pedal, the machine stops automatically.

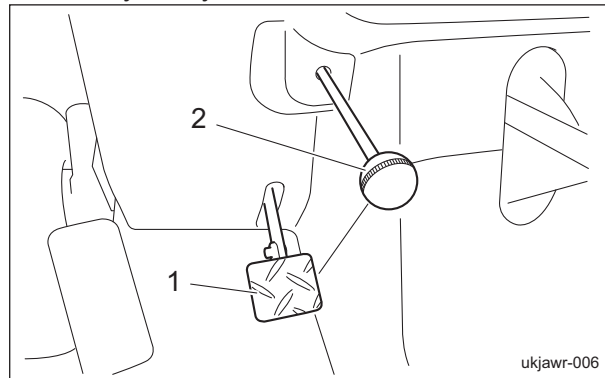


Traveling Pedal_001

1	Forward pedal
2	Reverse pedal

Brake Pedal

The brake pedal is located in the left foot area. To stop the machine, depress the brake pedal all the way firmly.



Brake Pedal_001

1	Brake pedal
2	Parking brake lever

Parking Brake Lever

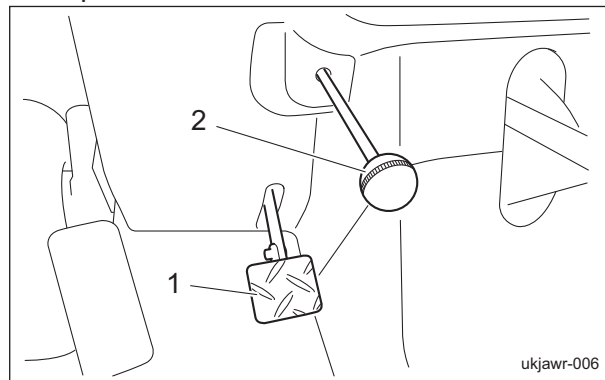
Caution

Never park the machine on a slope.

Important

Be sure to release the parking brake before driving. It will result in the brakes or hydraulic system malfunction.

The parking brake lever is located to the left of the front cover. To park the machine, depress the brake pedal and pull the parking brake lever completely. To release the parking brake, depress the brake pedals.



Parking Brake Lever_001

1	Brake pedal
2	Parking brake lever

Handling Instructions

Hood

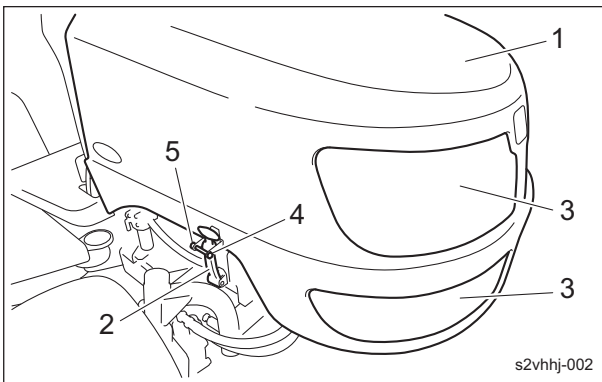
Caution

Do not open the hood in strong winds.

Caution

Be careful not to pinch your fingers when you open or close the hood.

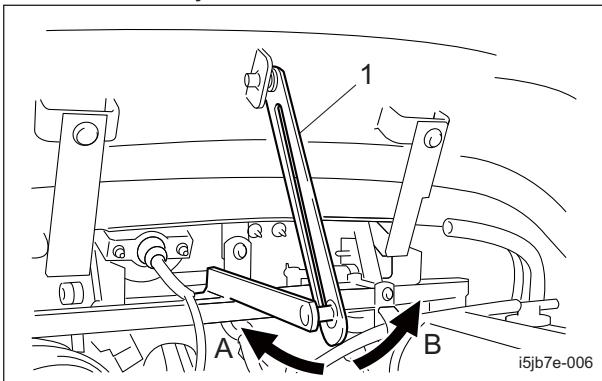
1. Remove the bolt and nut.
2. Unlock the rubber catch, and then lift up the hood.



Hood_001

1	Hood
2	Rubber catch
3	Intake
4	Bolt
5	Nut

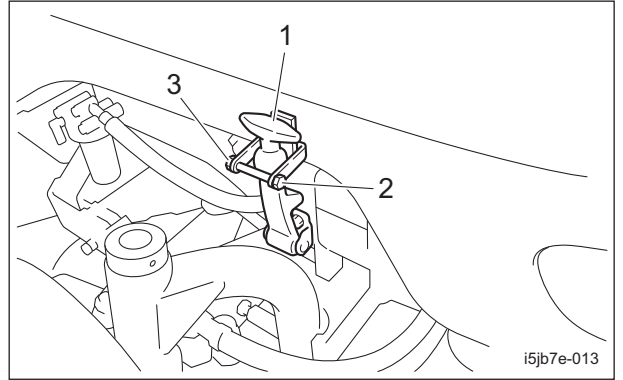
3. Lift the hood and check that the hood support rod is secured effectively. Make sure that the hood will not close, and then remove your hands.



Hood_002

1	Hood support rod
A	Secure
B	Released

4. To close the hood, release the hood support rod, and then lower the hood slowly.
5. Lock the rubber catch securely.
6. Install the bolt and nut.



Hood_003

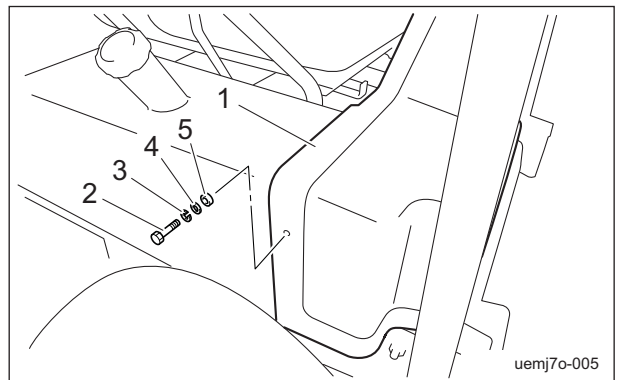
1	Rubber catch
2	Bolt
3	Nut

Rear Cover

Caution

Be careful not to pinch your fingers when you open or close the cover.

1. Bring the seat to the most front position.
2. Remove the bolt on both sides of the rear cover.



Rear Cover_001

1	Rear cover
2	Bolt
3	Spring washer
4	Washer
5	Rubber washer

3. Remove the rear cover.

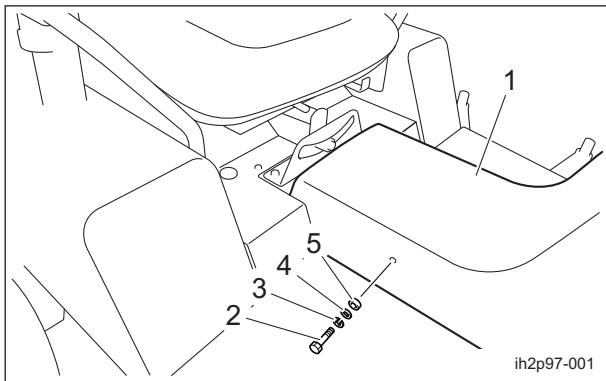
Handling Instructions

Center Cover

⚠ Caution

Be careful not to pinch your fingers when you open or close the cover.

1. Bring the seat to the backmost position.
2. Completely raise the steering wheel.
3. Remove the bolt on both sides of the center cover.



Center Cover_001

1	Center cover
2	Bolt
3	Spring washer
4	Washer
5	Rubber washer

4. Remove the center cover.

Seatback Cover

Note:

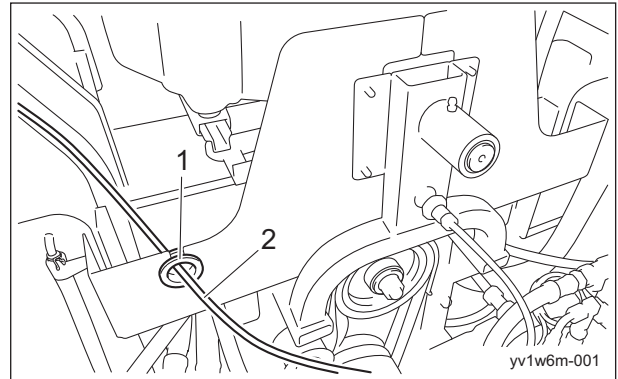
Follow the same steps to remove the left and right seatback covers.

1. Bring the seat to the frontmost position.
2. Remove the rear cover.

3. Remove the grommet.

Note:

The wire is removed together with the grommet.



Seatback Cover_001

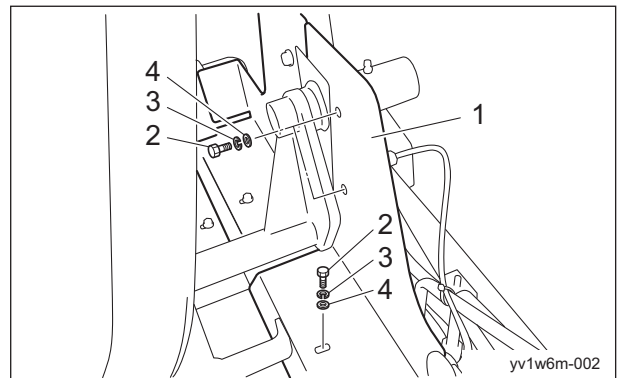
1	Grommet
2	Wire

4. Swing the seat to tilt it.

Note:

Tilt the seat so that the cover to be removed is facing down.

5. Remove the bolts mounting the seatback cover.



Seatback Cover_002

1	Seatback cover
2	Bolt
3	Spring washer
4	Washer

6. Remove the seatback cover.

Handling Instructions

Underseat Cover

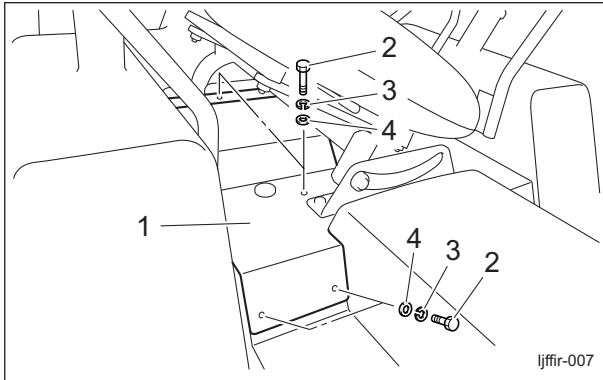


Caution
Be careful not to pinch your fingers when you open or close the underseat cover.

Note:

Follow the same steps to remove the left and right underseat covers.

1. Remove the rear cover.
2. Remove the seatback cover.
3. Swing the seat to tilt it.
4. Remove the bolts mounting the underseat cover.



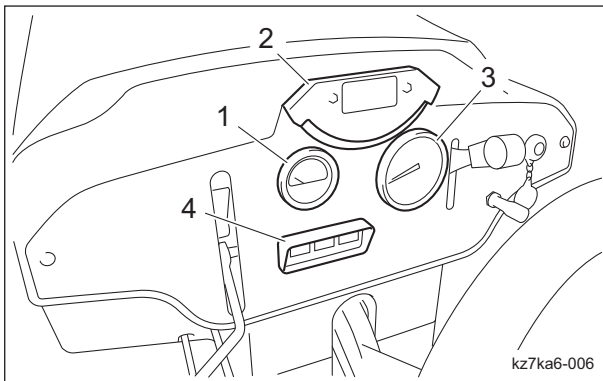
Underseat Cover_001

1	Underseat Cover
2	Bolt
3	Spring washer
4	Washer

5. Remove the underseat cover.

Instruments

Instruments on the Operation Panel



Instruments on the Operation Panel_001

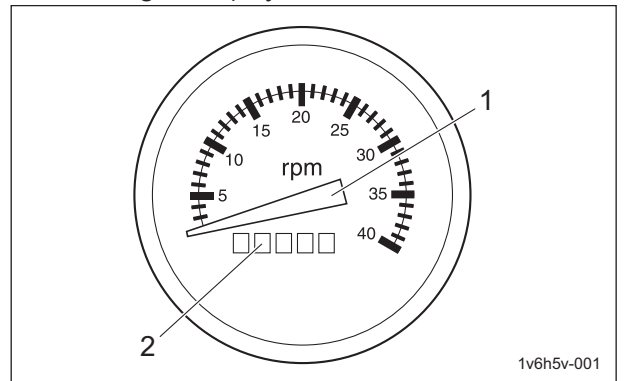
1	Water temperature gauge
2	Angle meter
3	Tachometer/Hour meter
4	Pilot lamps (charge lamp, thermo-start lamp, oil pressure lamp)

Tachometer/Hour Meter

The tachometer and hour meter are located in the operation panel.

The tachometer indicates the engine rpm. The hour meter indicates total operation time of the engine.

Every six minutes of engine operation will increase the number at the first digit (black number on a white background) by one. Every one hour of engine operation will increase the number at the next digit (white number on a black background) by one.



Tachometer/Hour Meter_001

1	Tachometer
2	Hour meter

Handling Instructions

Water Temperature Gauge

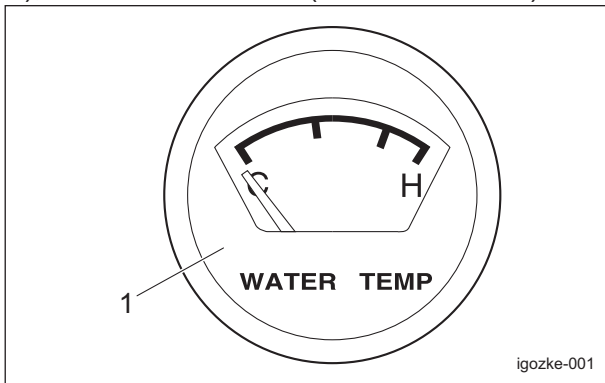
The water temperature gauge is located in the operation panel.

This instrument indicates the water temperature inside the engine.

If the water temperature gauge indicates a level close to "H" during operation, the machine is overheated.

Remove the load from the engine, idle the machine for five minutes, stop the engine, and then inspect the machine and perform any necessary maintenance.

If the water temperature exceeds 105 °C (221 °F), a buzzer will sound.(Intermittent tone)



Water Temperature Gauge_001

1	Water temperature gauge
---	-------------------------

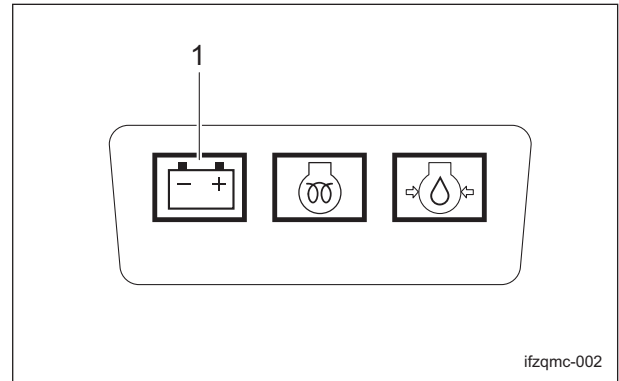
Pilot Lamps

Charge Lamp

The charge lamp is the left pilot lamp located in the operation panel.

It turns on when the ignition key is set to the "ON" position before the engine starts. It turns off when the engine starts and the alternator starts operating properly.

If this lamp illuminates while you are operating the machine, stop the engine immediately, and then inspect the machine and perform any necessary maintenance.



Charge Lamp_001

1	Charge lamp
---	-------------

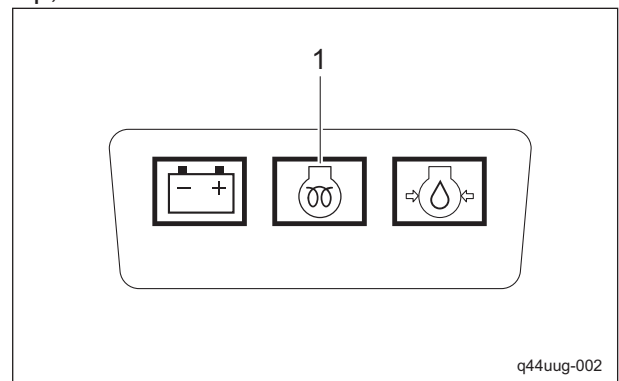
Thermo-Start Lamp

The thermo-start lamp is the middle pilot lamp located in the operation panel.

When the ignition key is set to the "GLOW" position, it illuminates as the glow plug generates heat.

Illumination of the thermo-start lamp is controlled by the glow lamp timer, and the lamp is turned off after a specified amount of time passes.

The duration of illumination indicates an approximate period of time required for warm-up, and has been fixed at five seconds.



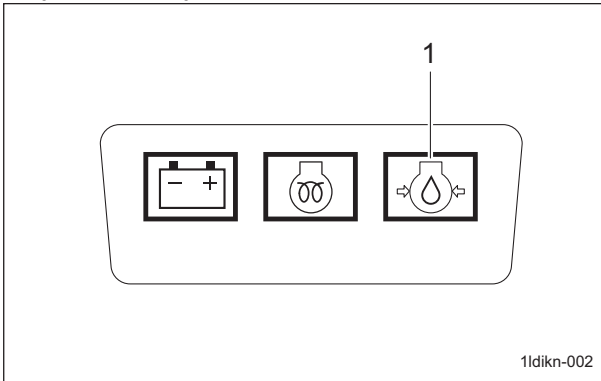
Thermo-Start Lamp_001

1	Thermo-start lamp
---	-------------------

Handling Instructions

Oil Pressure Lamp

The oil pressure lamp is the right pilot lamp located in the operation panel. It turns on when the ignition key is set to the "ON" position before the engine starts. It turns off when the engine starts and engine oil pressure is generated properly. If this lamp illuminates while you are operating the machine, stop the engine immediately, and then inspect the machine and perform any necessary maintenance.

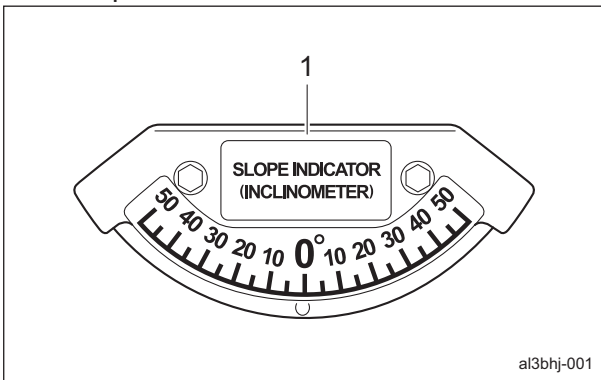


Oil Pressure Lamp_001

1	Oil pressure lamp
---	-------------------

Angle Meter

The angle meter is located in the operation panel. This instrument indicates the angle of the machine position.



Angle Meter_001

1	Angle meter
---	-------------

Move

Traveling Procedure

Caution

Under any circumstances drive the machine at such a speed that you can stop it immediately for emergencies.

Important

Do NOT start to move or stop the machine abruptly. It will damage the hydraulic system or result in oil leakage.

1. Start the engine.
"Procedure to Start Engine" (Page 4-16)
2. Raise the mower decks.
3. Depress the brake pedal to release the parking brake.
4. Slowly depress the traveling pedal.
5. The machine starts traveling.
6. Release the traveling pedal and depress the brake pedal to stop the machine.

Handling Instructions

Towing the Machine

If the machine does not travel due to engine trouble, etc., you can move it by towing it.

Important

Do not touch the unload valve except when towing the machine.

Important

Do not turn the unload valve more than four rotations.

Important

Before restarting the engine, be sure to close the unload valve.

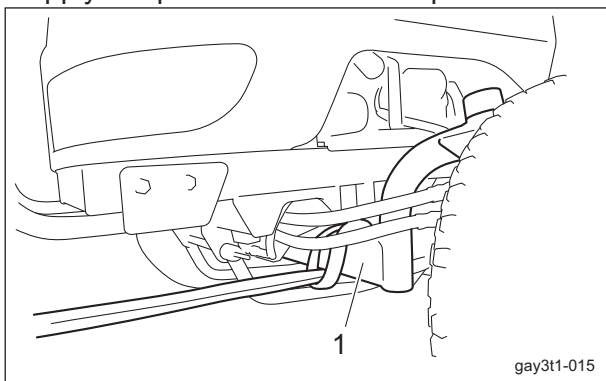
Important

When towing the machine, travel at a speed no more than 3.0 km/h.

In addition, do not tow the machine for more than 3 minutes.

If the towing speed is too fast or the machine is towed too much, the pump or motor will be damaged.

1. Stop the engine.
"Procedure to Stop Engine" (Page 4-17)
2. Apply the parking brake.
3. Chock the wheels.
4. Apply a rope to the front wheel pivot.

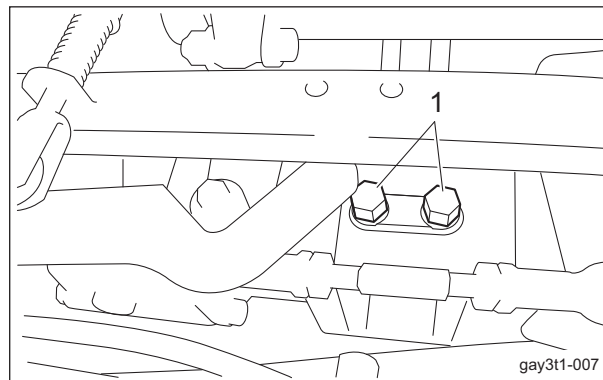


Towing the Machine_001

1	Front wheel pivot
---	-------------------

5. Remove the underseat cover on the right side.

6. Turn the unload valves counterclockwise by three to four rotations to loosen it.
 - 2WD: Loosen either one of the unload valves.
 - 4WD: Loosen both of the unload valves.



Towing the Machine_002

1	Unload valve
---	--------------

7. Install the underseat cover on the right side.
8. Remove the wheel stoppers.
9. Depress the brake pedal to release the parking brake.

Warning

While towing, always put your foot on the brake pedal so that you can depress the brake pedal immediately to stop the machine.

10. Tow the machine slowly.

Handling Instructions

Cutting Work

Cutting Operation

⚠ Caution

Cutting work must be performed at an appropriate speed for the site and location. When cutting bumpy surfaces, keep the engine rpm steady, and slow down the cutting speed.

⚠ Caution

All persons other than the operator must keep a safe distance from the machine.

Important

Do NOT start to move or stop the machine abruptly. It will damage the hydraulic system or result in oil leakage.

1. Start the engine.
"Procedure to Start Engine" (Page 4-16)
2. Depress the brake pedal to release the parking brake.
3. Shift the throttle lever to the "High speed" position to run the engine at the maximum rpm.
4. Shift the mower deck up/down switch to the "DOWN" position to lower the mower decks.
5. Slowly set the knife rotation lever to the "Rotation" position to rotate all rotary knives.
6. Depress the traveling pedal to start cutting work.

Note:

While operating on a slope, adjust the angle of the seat for better comfort.

Transporting

Transporting Procedure

When loading the machine into a trailer or a truck to transport it, drive the machine forward. When unloading, drive the machine in reverse. If the roof is installed on the machine, remove it.

The roof may be damaged by wind pressure.

Storage

Long-Term Storage

Follow the instructions below for long-term storage of the machine.


1. Cleaning
 - Remove dirt, grass clippings, oil stains etc. completely from the main vehicle and engine.
2. Replacing oil
 - Inspect and replace the engine oil, hydraulic oil and element.
3. Greasing and lubricating
 - Supply oil and apply grease to appropriate parts.
4. Battery
 - Remove the negative battery wire.
5. Fuel
 - Remove the fuel from the fuel tank.
6. Tire pneumatic pressure
 - Set the tire air pressure slightly higher than normal, and then place the machine on a board to avoid humidity.
7. Mower decks
 - When storing this machine, lower all the mower decks unless a positive mechanical lock is provided.
8. Storage location
 - Cover the machine and store it in a dry place where it will not be exposed to rain.

Handling Instructions

Maintenance Precautions	Page 5-2
Maintenance Schedule	Page 5-3
Adjusted Values	Page 5-4
Jacking Up The Machine	Page 5-5
About Jacking Up The Machine	Page 5-5
Jack-Up Points	Page 5-5
Greasing	Page 5-6
About Greasing	Page 5-6
Greasing Points	Page 5-6
Lubrication	Page 5-9
About Lubrication	Page 5-9
Lubricating Points	Page 5-9
Maintenance Work	Page 5-10
Removing/Installing Tires	Page 5-10
Adjustment of Belt Tension	Page 5-11
Adjustment of Brake	Page 5-13
Adjustment of Knife Brake	Page 5-13
Adjusting the Neutral Position of the Piston Pump	Page 5-14
Change of Coolant	Page 5-15
Change of Hydraulic Oil	Page 5-17
Change of Hydraulic Oil Filter	Page 5-18
Change of Air Cleaner	Page 5-18
Change of Engine Oil	Page 5-19
Replacement of Engine Oil Filter	Page 5-20
Replacement of Fuel Filter Element	Page 5-20
Change of Transmission Oil	Page 5-21
Change of Fuse	Page 5-22

Maintenance

Maintenance Precautions

 Warning

The chapter "Maintenance" in this manual describes practical measures which should be performed by a mechanic with expertise. The owner should instruct the mechanic with expertise to perform maintenance service for this machine.

 Caution

First, learn well the maintenance operations you plan to perform.

Important

Use tools appropriate for each maintenance operation.

Important

For the safe and best performance of your machine, use Baroness genuine parts for replacement and accessories. Please note that our product warranty may be void if you use non-genuine parts for replacement or accessories.

Maintain the machine according to the maintenance schedule so that you will be able to take advantage of its optimum performance for a long period of time.

Maintenance Schedule

GM1700

Follow the maintenance schedule below.

- . . . Inspect, adjust, supply, clean
- . . . Replace (first time)
- △ . . . Replace

Maintenance Item		Before work	After work	Every 8 hrs.	Every 10 hrs.	Every 50 hrs.	Every 100 hrs.	Every 200 hrs.	Every 250 hrs.	Every 300 hrs.	Every 400 hrs.	Every 500 hrs.	Every year	Every 2 years	Every 3 years	Every 4 years	Remarks
Engine	Tightening the parts	○															
	Fuel	○															
	Fuel and oil leaks	○															
	Engine oil	○		●		△											8 hrs (first time)
	Engine oil filter	○				●	△										50 hrs (first time)
	Radiator	○															
	Coolant	○				△											
	Fan belt	○												△			
	Battery	○													△		
	Battery fluid	○															
	Cleaning the exterior		○														
Main vehicle	Tightening the parts	○															
	Interlock system	○															
	Electrical wiring												○				
	Greasing, oiling					○											
	Tire	○															
	V-belt	○											△				
	Clutch (knife rotation lever)	○															
	Brake	○															
	Knife Brake	○															
	Wire	○							△								
	Cover	○															
	Oil leakage	○															
	Hydraulic oil	○						●					△				100 hrs (first time)
	Hydraulic oil filter							●					△				100 hrs (first time)
	Transmission oil	○				●								△			50 hrs (first time)
Hydraulic hose (moving part)	○													△			
Hydraulic hoses (Moving part) relating to steering														△			

Maintenance

Maintenance

Maintenance Item		Before work	After work	Every 8 hrs.	Every 10 hrs.	Every 50 hrs.	Every 100 hrs.	Every 200 hrs.	Every 250 hrs.	Every 300 hrs.	Every 400 hrs.	Every 500 hrs.	Every year	Every 2 years	Every 3 years	Every 4 years	Remarks	
Main vehicle	Hydraulic hose (fixed part)	○															△	
	Air cleaner	○						△					△					Refer to "Change of Air Cleaner" Check every 200 hours or every year whichever comes earlier
	Fuel strainer	○					○						△					
	Fuel pipe	○																
	Cleaning the exterior		○															

- For engine maintenance, refer to the Engine's Owner's Manual.
- The values for consumables are not guaranteed.
- Be sure to replace hydraulic hoses for steering cylinder and hydraulic hoses for hydraulic motor of wheel relating to steering every two years.

Adjusted Values

Fan belt	10 mm (0.39 in)	Belt slack
Knife tension belt	40.0 mm (1.57 in)	Total length of tension spring (with knife rotation lever in "Rotation" position)
	50.0 mm (1.97 in)	Total length of tension return spring (with knife rotation lever in "Stop" position)

Jacking Up The Machine

About Jacking Up The Machine

Warning

When replacing a tire or beginning any other maintenance or repairs, be sure to chock the wheels to prevent the machine from moving. Before jacking up the machine, park it on a hard, flat surface such as a concrete floor and remove any obstacles that could prevent you from performing the work safely.

When necessary, use an appropriate chain block, hoist, or jack.

Support the machine securely with jack stands or appropriate blocks.

Failure to do so may cause the machine to move or fall, resulting in injury or death.

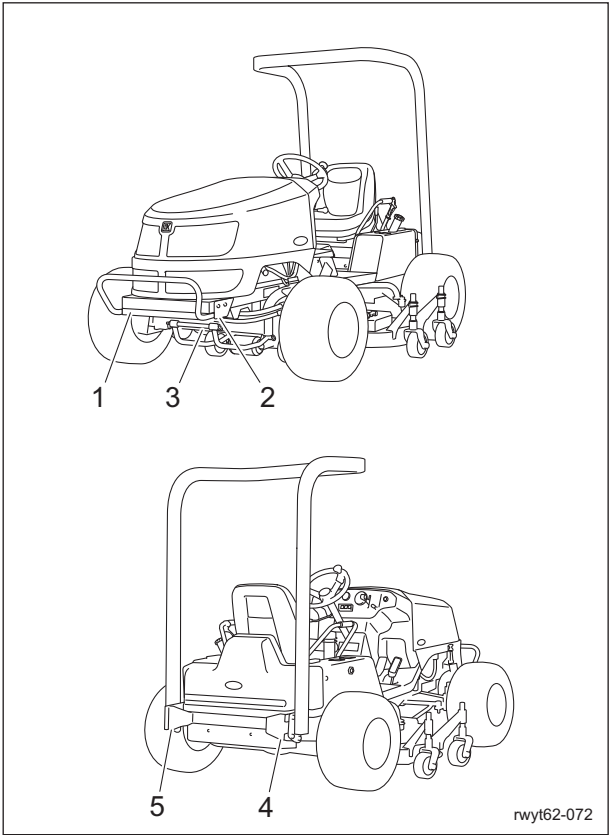
Important

Only place a jack under the jack-up points specified.

Placing a jack at any other point will result in damage to the frame or other parts.

Use the jack-up points identified in this manual when jacking up the machine.

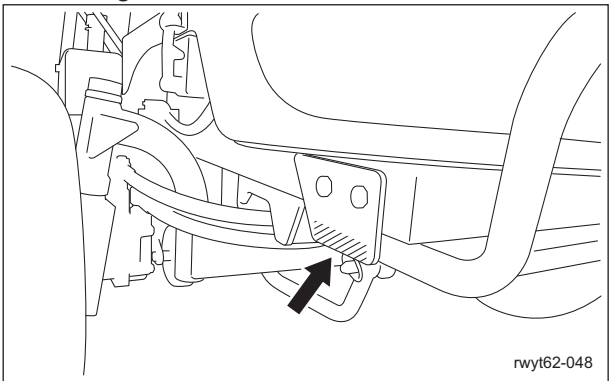
Jack-Up Points



Jack-Up Points_001

	Jack-up Points
1	Front right frame
2	Front left frame
3	Center of pivot
4	Rear right frame
5	Rear left frame

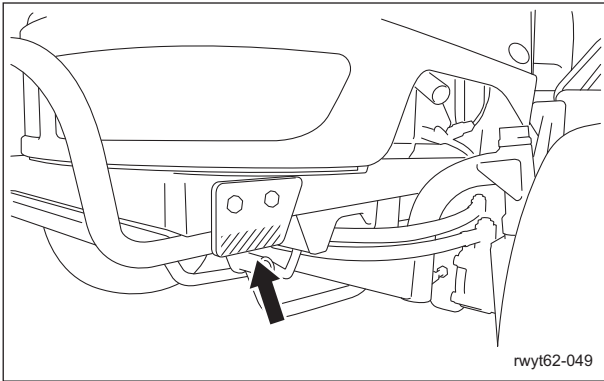
1. Front right frame



Jack-Up Points_002

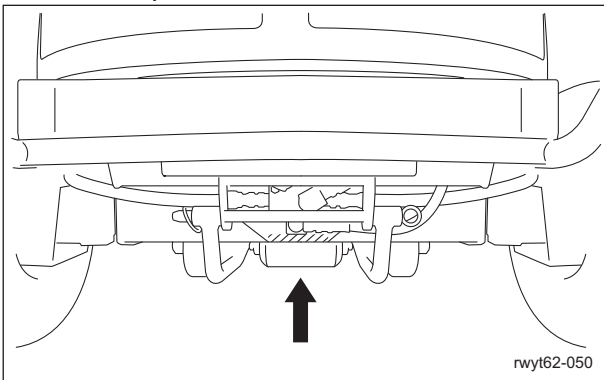
Maintenance

2. Front left frame



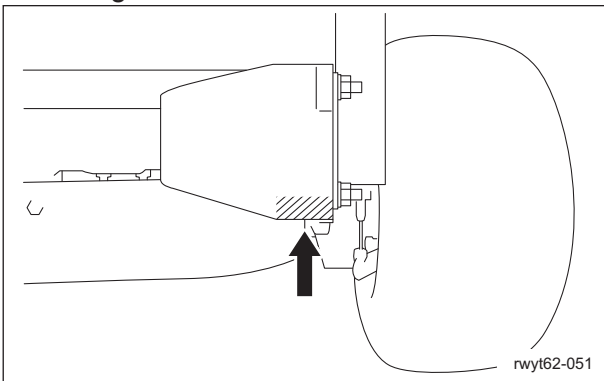
Jack-Up Points_003

3. Center of pivot



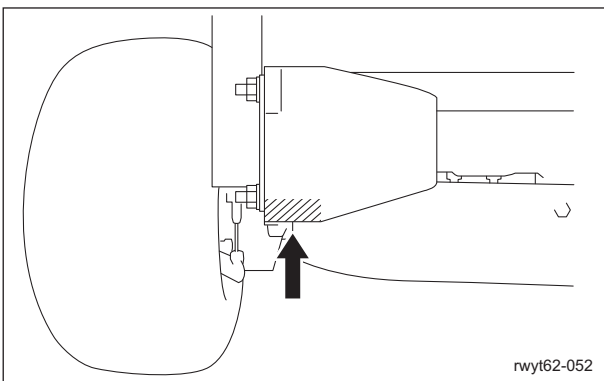
Jack-Up Points_004

4. Rear right frame



Jack-Up Points_005

5. Rear left frame



Jack-Up Points_006

Greasing

About Greasing

Since there may be adhesion or damage due to lack of grease on moving parts, they must be greased.

Add urea-based No. 2 grease in accordance with the Maintenance Schedule.

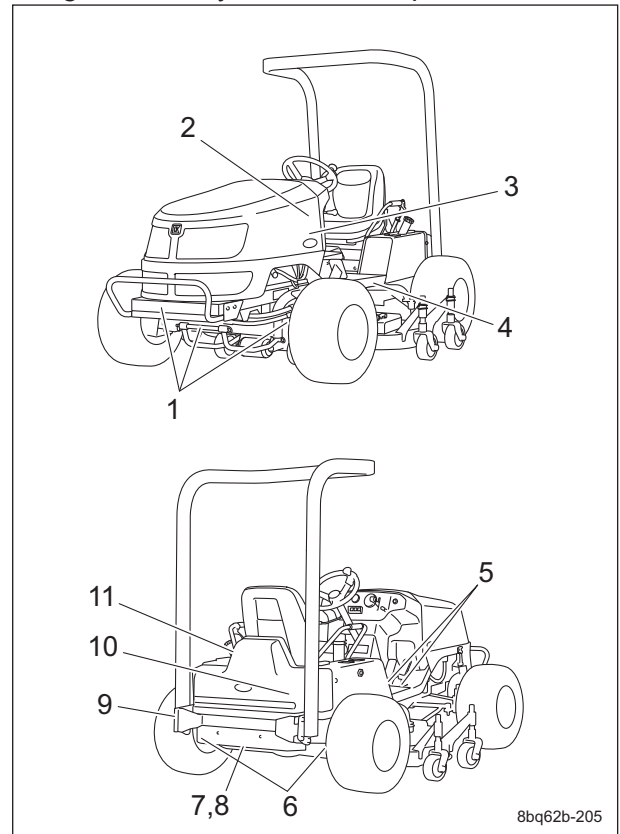
Other locations where the specified grease or lubricant is used are indicated in "Greasing Points".

Add grease using the specified grease or lubricant.

Greasing Points

Grease nipples are installed in the following locations.

Add grease every 50 hours of operation.

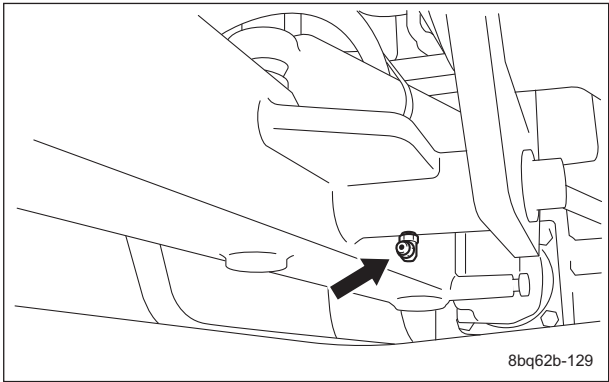


Greasing Points_001

	Location	No. of Greasing Points
1	Pivot	3
2	Knife rotation lever fulcrum	1
3	Brake pedal shaft fulcrum	1
4	Chain wheel mounting shaft fulcrum	2
5	Traveling pedal shaft fulcrum	2
6	Brake lever shaft	2
7	Joint fulcrum	2
8	Joint connector	1
9	Tension shaft fulcrum	1
10	Cam lever shaft fulcrum	1
11	Seat mounting bracket	1

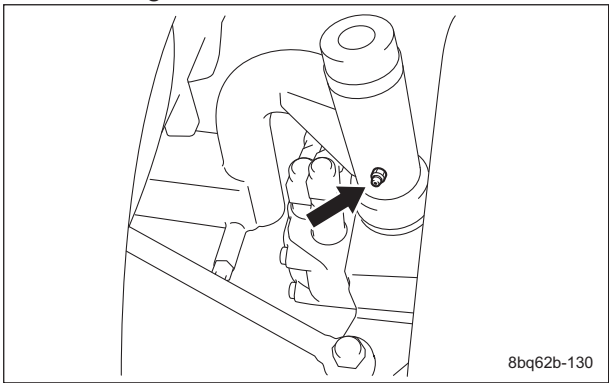
1. Pivot

Jack up the machine and apply grease.
Middle between the front wheels



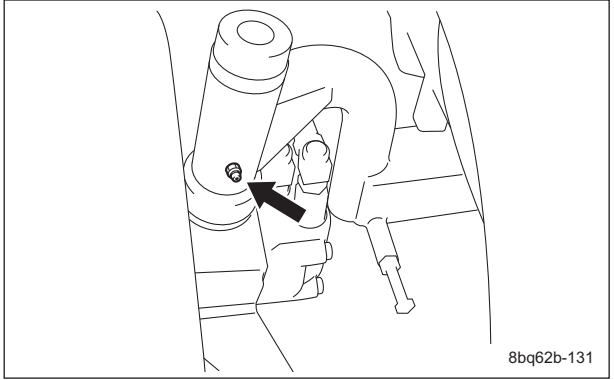
Greasing Points_002

Front right wheel



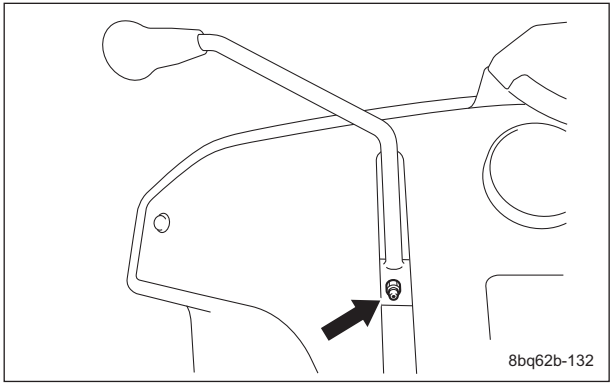
Greasing Points_003

Front left wheel



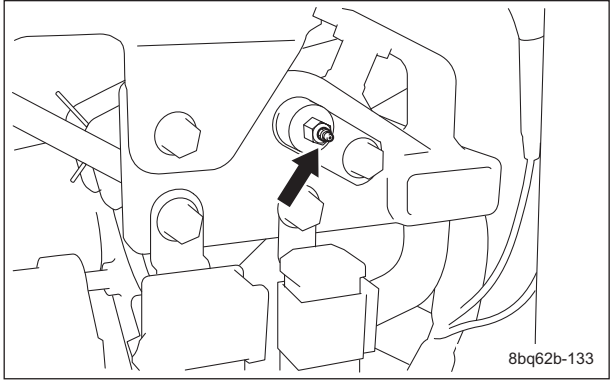
Greasing Points_004

2. Knife rotation lever fulcrum



Greasing Points_005

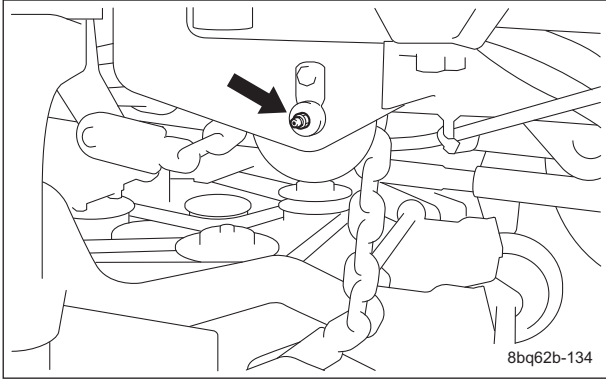
3. Brake pedal shaft fulcrum



Greasing Points_006

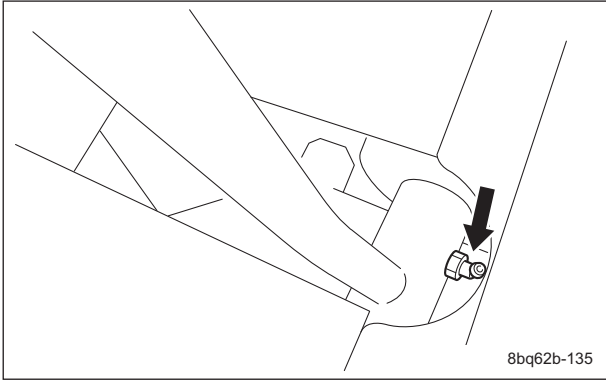
Maintenance

- 4. Chain wheel mounting shaft fulcrum
One greasing point is provided to each of the right and left chain wheel mounting shaft fulcrums.



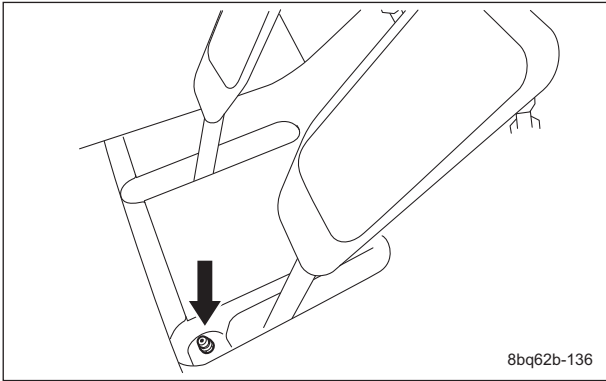
Greasing Points_007

- 5. Traveling pedal shaft fulcrum
Forward pedal



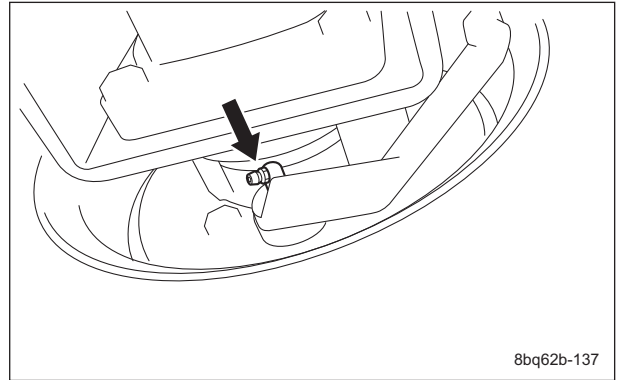
Greasing Points_008

- Reverse pedal



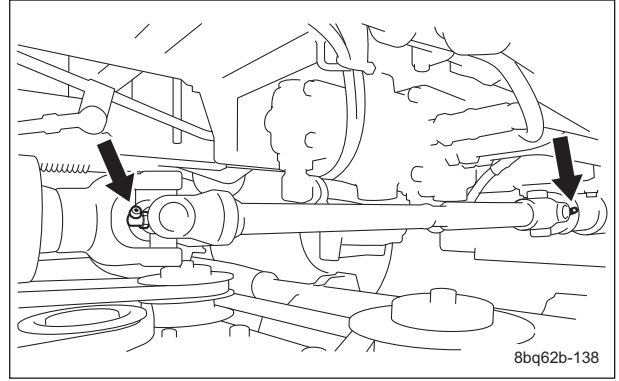
Greasing Points_009

- 6. Brake lever shaft
One greasing point is provided to each of the right and left brake lever shafts.



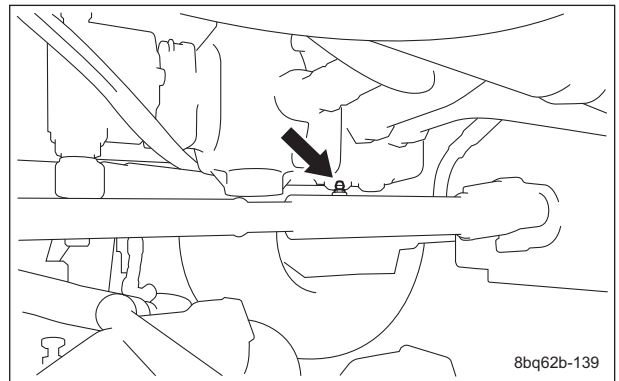
Greasing Points_010

- 7. Joint fulcrum
One greasing point is provided to each of the two fulcrums of the joint.



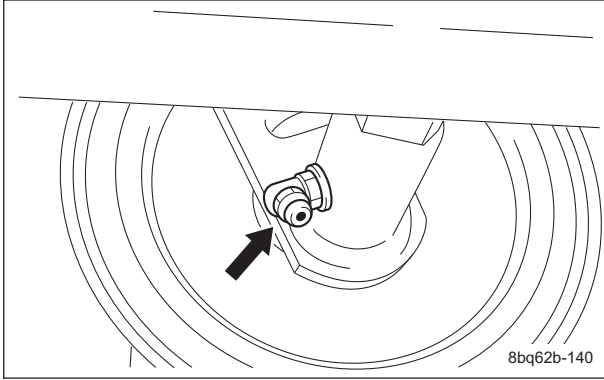
Greasing Points_011

- 8. Joint connector



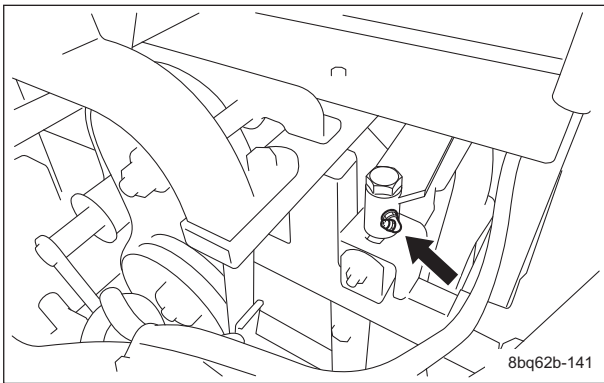
Greasing Points_012

9. Tension shaft fulcrum



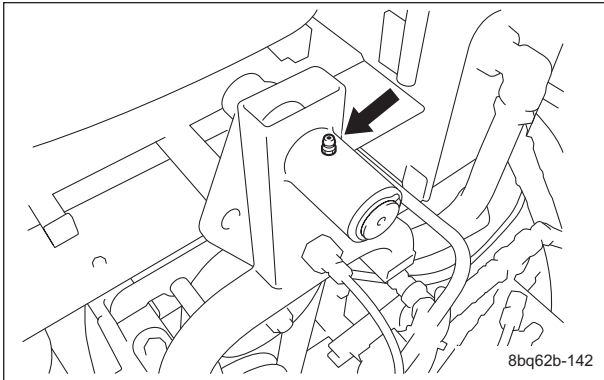
Greasing Points_013

10. Cam lever shaft fulcrum



Greasing Points_014

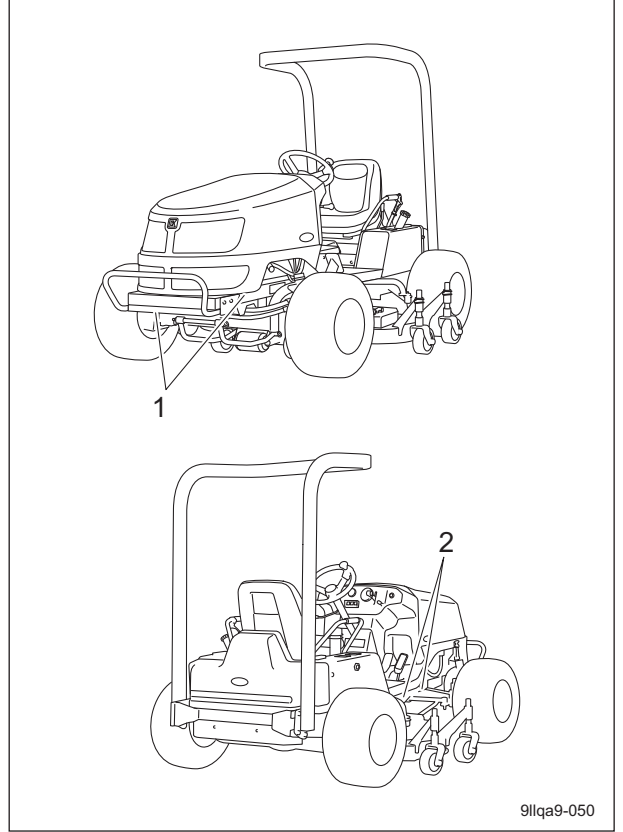
11. Seat mounting bracket



Greasing Points_015

Lubricating Points

Apply lubricant at the following locations every 50 hours of operation.

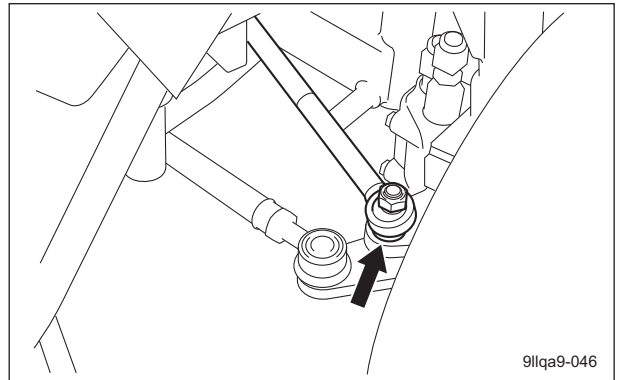


Lubricating Points_001

	Location	No. of lubricating points
1	Steering cylinder spherical bearing	2
2	Mower up/down cylinder spherical bearing	2

1. Steering cylinder spherical bearing

There are two points.

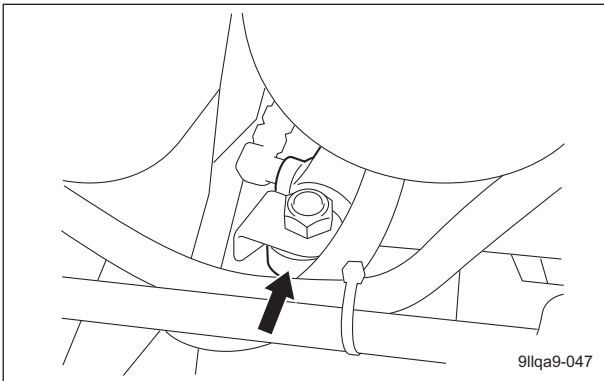


Lubricating Points_002

Lubrication

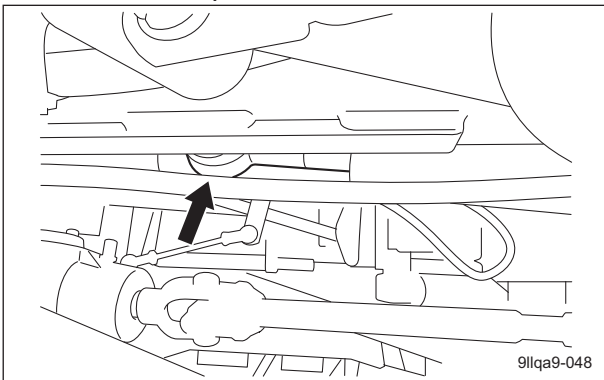
About Lubrication

It is necessary to lubricate moving parts so that they will not become stuck or damaged. The locations where lubricant is used are indicated in "Lubricating Points". Apply the lubricant.

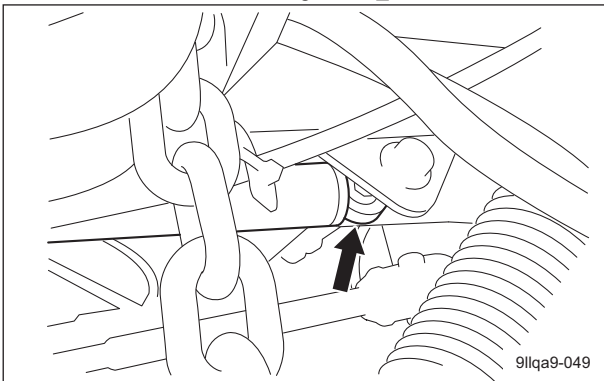


Lubricating Points_003

2. Mower up/down cylinder spherical bearing
There are two points.



Lubricating Points_004



Lubricating Points_005

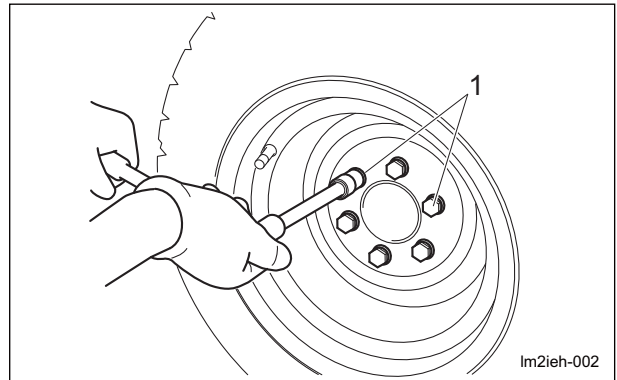
Maintenance Work

Removing/Installing Tires

Front Tires

Follow the steps below to remove the front tires:

1. Loosen the bolts.



Front Tires_001

1	Heat-treated bolt
---	-------------------

2. Securely place the jack beneath the jack-up point of the front left/right frame area, and then raise it until the tire lifts off the ground. "Jack-Up Points" (Page 5-5)
3. Remove the bolts.
4. Remove the tire from the wheel mounting seat.

Important

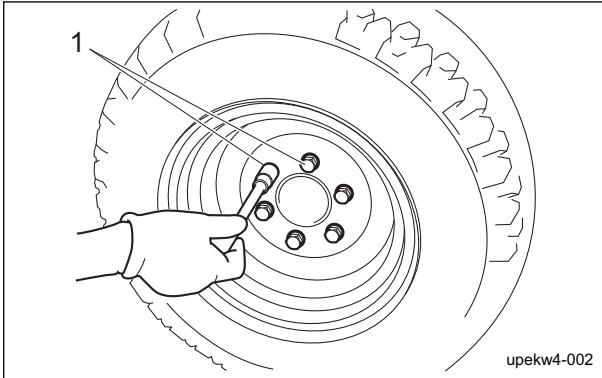
Tighten the bolts in the tightening order (diagonally).

For installing the front tires, reverse the removing procedure.

Rear Tire

Follow the steps below to remove the rear tires:

1. Loosen the bolts.



Rear Tire_001

1	Heat-treated bolt
---	-------------------

2. Securely place the jack beneath the jack-up point of the rear frame area, and then raise it until the tire lifts off the ground. "Jack-Up Points" (Page 5-5)
3. Remove the bolts.
4. Remove the tire from the wheel mounting seat.

Important

Tighten the bolts in the tightening order (diagonally).

For installing the rear tires, reverse the removing procedure.

Adjustment of Belt Tension

Warning

Be sure to stop the engine before adjusting the belts.

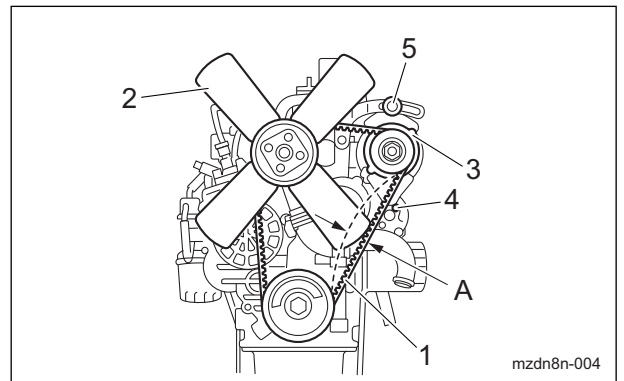
Important

Before making sure of belt tension, rotate the belt several times.

If the belt becomes slack due to frequent use, it may jump or slip. In addition, if it is overtightened, it may wear prematurely. If necessary, adjust it, and always check the belt for appropriate tension.

Fan Belt

1. Press the middle of the belt with your finger to check the belt tension. The belt tension is appropriate when the belt slacks by approximately 10.0 mm (0.39 in) when you apply a force of 98 N (10 kgf) to the belt at the middle point between the pulleys.
2. If the belt tension is incorrect, loosen bolt A and bolt B (securing the alternator), and then move the alternator to adjust the tension.

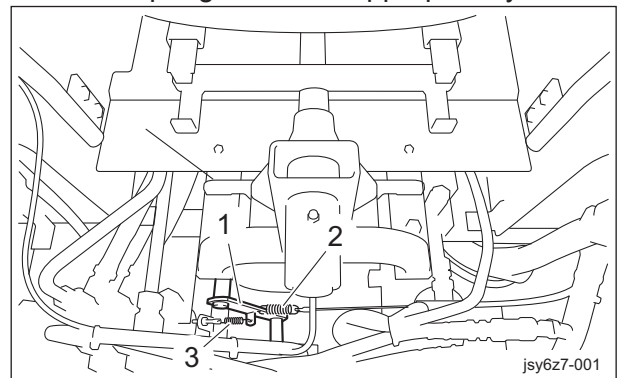


Fan Belt_001

1	Fan Belt
2	Blade
3	Alternator
4	Bolt A
5	Bolt B
A	10 mm (0.39 in)

Knife Tension Belt

1. Remove the rear cover.
2. Set the knife rotation lever to the "Rotation" and "Stop" positions, and check the following points.
 - The tension lever operates correctly.
 - The spring stretches appropriately.

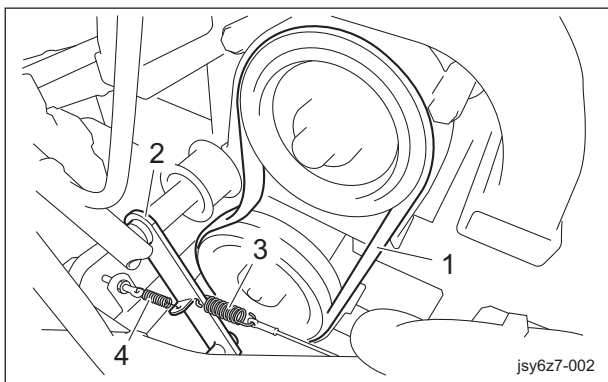


Knife Tension Belt_001

Maintenance

1	Tension lever
2	Tension spring
3	Tension return spring

3. Set the knife rotation lever to the "Rotation" position, and then press the middle of the belt with your finger to check the belt tension.



Knife Tension Belt_002

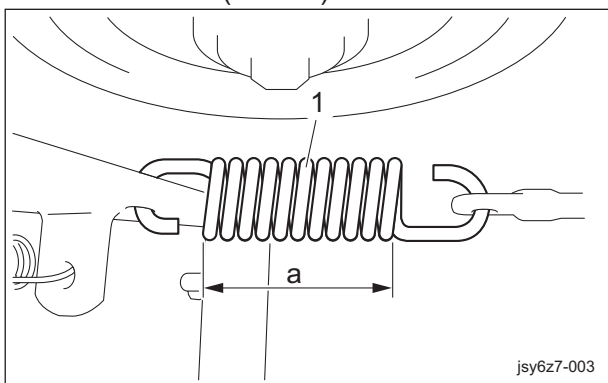
1	Knife tension belt
2	Tension lever
3	Tension spring
4	Tension return spring

4. If the belt tension is inappropriate, adjust it by tightening the tension wire adjustment bolt.

Adjust it so that the springs are adjusted as follows.

• Tension spring

Set the knife rotation lever to the "Rotation" position, and then adjust so that the total length of the tension spring is 40.0 mm (1.57 in).



Knife Tension Belt_003

1	Tension spring
a	40.0 mm (1.57 in)

• Tension return spring

Important

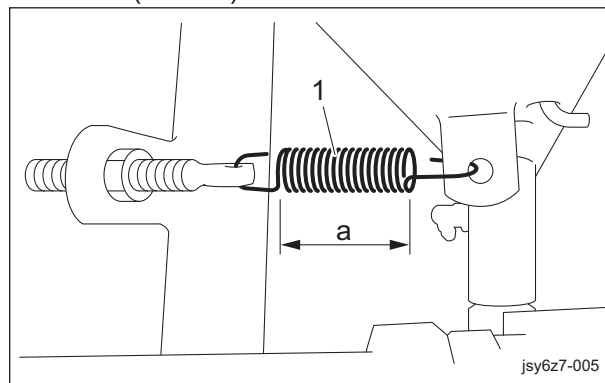
Make sure that the shoe of the knife brake is not worn.

If the brake shoe is worn, replace it.

Important

After adjusting the knife brake, adjust the tension return spring.

Set the knife rotation lever to the "Stop" position, and then adjust so that the total length of the tension return spring is 50.0 mm (1.97 in).



Knife Tension Belt_004

1	Tension return spring
a	50.0 mm (1.97 in)

Adjustment of Brake

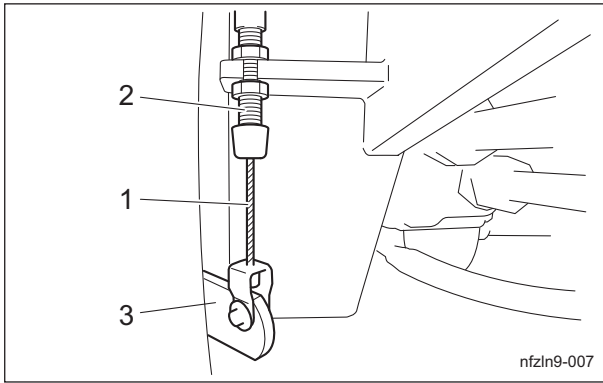
Caution

If the brake wire becomes broken, the machine will be unable to stop.
If there are cracks, damage or other defects, replace it immediately.
Adjust the brake wire if the brakes become less effective.

Important

Adjust the brake wire so that there is minimal play with the brake lever, and so that the brakes do not drag when the brake is released.

- Adjust the foot brake by tightening the adjustment bolt on the brake wire.
 - Braking force will decrease if there is more play with the brake lever, and the brake pedal will feel lighter.
 - Reducing play with the brake lever will increase braking force and make the brake pedal feel heavier.



Adjustment of Brake_001

1	Brake wire
2	Adjustment bolt
3	Brake lever

- Start the engine and drive to check the following.
 - Make sure that heat is not generated in the brake area.
 - Make sure that the left and right brakes are equally effective.

Caution

It may result in an unexpected accident if the left and right brakes are not equally effective.

- If the left and right brakes are not equally effective, make fine adjustments with the adjustment bolt on the brake wire.

Break-In of Brakes

If the brake shoes or brake pads are worn, replace them with new ones.
Immediately after replacement, drive to break in the brakes if the effectiveness of the brakes is low.
While driving, lightly operate the brakes to break in the contact areas.

Adjustment of Knife Brake

- Remove the rear cover.
- Make sure that the knife rotation lever is set to the "Stop" position.

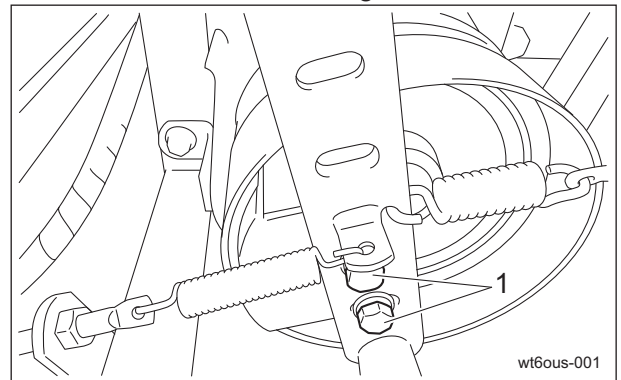
Important

Make sure that the shoe of the knife brake is not worn.
If the brake shoe is worn, replace it.

Important

After adjusting the knife tension spring, adjust the knife brake.

- Loosen the bolts mounting the brake shoe.

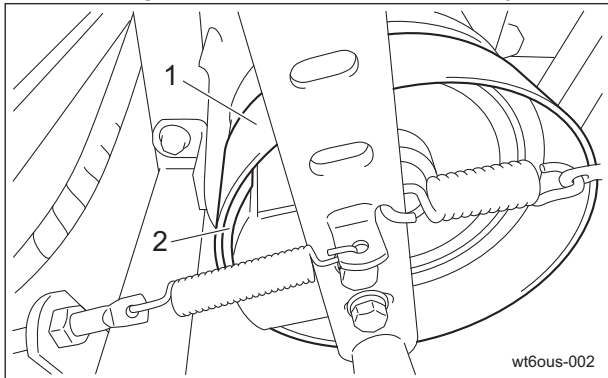


Adjustment of Knife Brake_001

1	Bolt
---	------

Maintenance

4. Move the brake shoe to the position where it is flush against the inside of the pulley drum.



Adjustment of Knife Brake_002

1	Pulley drum
2	Brake shoe

5. Tighten the bolt mounting the brake shoe.
6. Adjust the knife tension return spring.
7. Install the rear cover.
8. Start the engine.
9. Set the knife rotation lever to the "Rotation" position.
10. Make sure that the rotary knife rotates, and then set the knife rotation lever to the "Stop" position and make sure that the rotary knife stops rotating within 7 seconds.

Adjusting the Neutral Position of the Piston Pump

Caution

Make sure not to touch rotating tires.

If the machine moves forward or backward while the traveling pedals are released, they are not set to the neutral position. Follow the steps below to make adjustments.

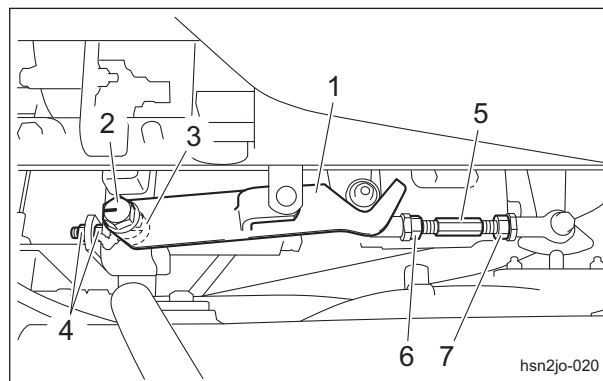
1. Stop the engine.
2. Place the jacks beneath the jack-up points, and then lift the machine off the ground. Use stable jack stands, and raise the machine until the tires lift off the ground. "Jack-Up Points" (Page 5-5)
3. Remove the seatback cover on the right side.
4. Remove the underseat cover on the right side.
5. Start the engine, and rev it up to the maximum rpm.

6. Set the 2WD/4WD selector switch to the "4WD" position.

7. Adjust the neutral position for the rear wheels.

[1] If the rear tires rotate forward, loosen the cam lever shaft, and then adjust lock nuts A to move the shaft seat backward. Find the position where the rear wheels stop, and then tighten the cam lever shaft to secure it.

[2] If the rear tires rotate in reverse, loosen the cam lever shaft, and then adjust lock nuts A to move the shaft seat forward. Find the position where the rear wheels stop, and then tighten the cam lever shaft to secure it.



Adjusting the Neutral Position of the Piston Pump_001

1	Cam lever
2	Cam lever shaft
3	Shaft seat
4	Lock nut A
5	Threaded rod
6	Lock nut B (right-hand screw)
7	Lock nut C (left-hand screw)

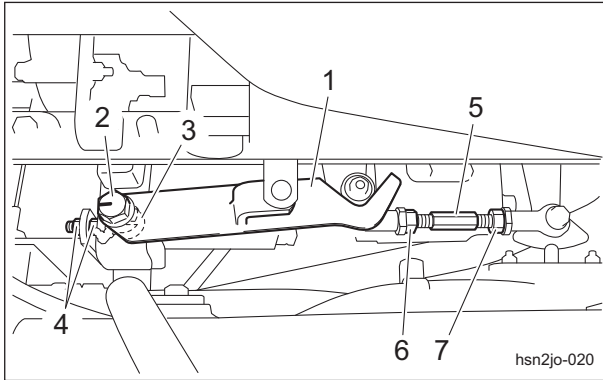
Important

Before adjusting the neutral position for the front wheels, make sure that the rear wheels have first been set to the neutral position.

8. Adjust the neutral position for the front wheels.

[1] If the front tires rotate forward, loosen lock nuts B and C of the threaded rod, then turn the threaded rod to shorten the connection. Find the position where the front wheels stop, and then tighten lock nuts B and C.

[2] If the front tires rotate in reverse, loosen lock nuts B and C of the threaded rod, then turn the threaded rod to extend the connection.
Find the position where the front wheels stop, and then tighten lock nuts B and C.



Adjusting the Neutral Position of the Piston Pump_002

1	Cam lever
2	Cam lever shaft
3	Shaft seat
4	Lock nut A
5	Threaded rod
6	Lock nut B (right-hand screw)
7	Lock nut C (left-hand screw)

Change of Coolant

⚠ Caution

Do not touch the radiator or coolant during engine operation or immediately after the engine has been turned off. Otherwise, you may get burned.

⚠ Caution

Change coolant after the engine has well cooled down.

⚠ Caution

The radiator cap is pressurized. If you remove the radiator cap while the engine is overheated, hot steam will burst out, possibly resulting in burns. Make sure that the water temperature and pressure are reduced, and then grab the cap with a thick cloth and gradually open the cap.

Important

When changing the coolant, be sure to drain it into a container and discard it in accordance with local laws and regulations.

Important

When changing the coolant, be sure to mix clean water and antifreeze (long-life coolant), and then pour it into the radiator and reserve tank.

Important

Tightly close the radiator cap. If the cap is loose or incorrectly installed, the engine will be overheated due to water leakage, resulting in engine damage.

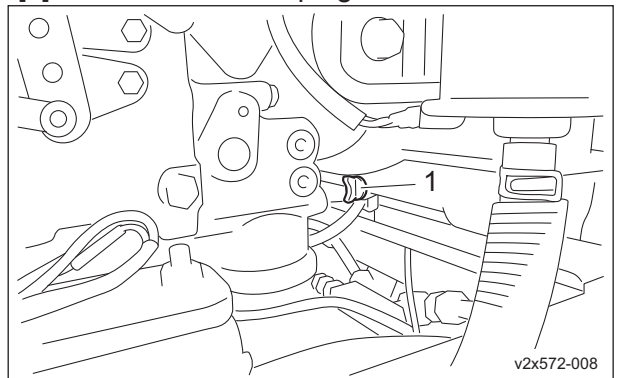
When mixing antifreeze and clean water, refer to "Relationship between concentration of long-life coolant (LLC) and freezing temperature" below for the mixing ratio.

Relationship between concentration of long-life coolant (LLC) and freezing temperature

Freezing temperature	LLC concentration (volume %)
Down to -10 °C (14 °F)	20 %
Down to -15 °C (5 °F)	30 %
Down to -20 °C (-4 °F)	35 %
Down to -25 °C (-13 °F)	40 %

1. Stop the engine, and then allow the radiator to cool.
2. Open the hood.
3. Follow the steps below to drain the coolant.
 - [1] Position a container to drain the coolant into.

- [2] Remove the drain plug from the radiator.

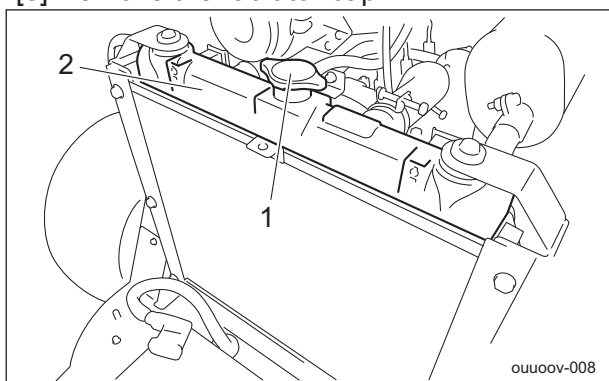


Change of Coolant_001

Maintenance

1	Radiator drain plug
---	---------------------

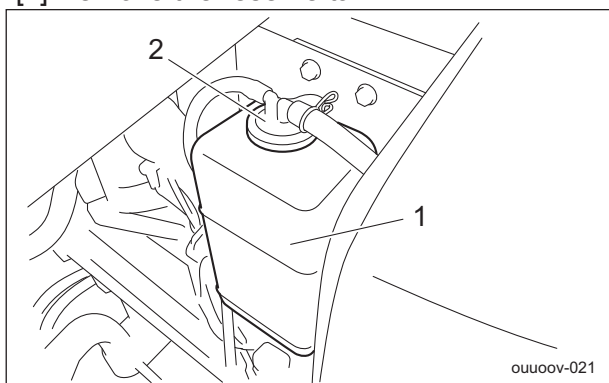
[3] Remove the radiator cap.



Change of Coolant_002

1	Radiator cap
2	Radiator

[4] Remove the reserve tank.



Change of Coolant_003

1	Reserve tank
2	Reserve tank cap

[5] Open the reserve tank cap, and then drain the coolant.

4. Install the reserve tank.
5. Clean the radiator with clean water to remove any debris or rust.
6. Drain all water from the radiator.
7. Follow the steps below to fill with coolant. The coolant quantity, including the reserve tank, is 6.0 dm³ (6.0 L).
 - [1] Install the drain plug.
 - [2] Supply clean water and antifreeze into the radiator up to the radiator cap opening.
 - [3] Close the radiator cap.
 - [4] Supply clean water and antifreeze into the reserve tank up to the "FULL" mark.
 - [5] Close the reserve tank cap.

8. Start the engine, and then idle for several minutes to bleed air from the system.
9. Stop the engine, and then allow the radiator to cool.
10. Check if the coolant level in the reserve tank is between "FULL" and "LOW", and then supply coolant if necessary.
11. Close the hood.

Change of Hydraulic Oil

Caution

Be careful with hot oil, which could cause burns if it contacts your skin.

Important

When you change the hydraulic oil, be sure to drain it into a bowl and discard it in accordance with local laws and regulations.

Important

If the oil emulsifies or if it becomes even slightly less transparent, change the oil immediately.

Important

Use Shell Tellus S2M46 (or equivalent) as hydraulic oil. In case of an equivalent, consult Characteristics of Hydraulic Oil and use hydraulic oil whose characteristics are superior to those of the specific hydraulic oil. Especially regarding kinematic viscosity and viscosity index, use of hydraulic oil whose figures are less than those of the specified hydraulic oil will cause a malfunction in the hydraulic circuit.

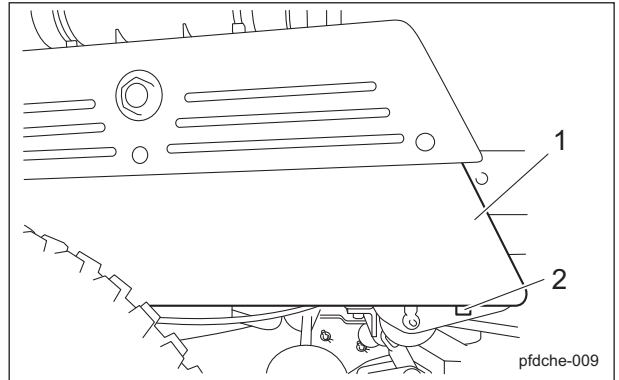
Note: Characteristics of Hydraulic Oil

Specified Hydraulic Oil		Shell Tellus S2M46
ISO Viscosity Grade		ISO VG46
Density	15 °C (59 °F)	0.873 g/cm ³ (0.0315 lb/in ³)
API Gravity		30.6
Flash Point (Open Cup)		230 °C (446 °F)
Pour Point		-30 °C (-22 °F)
Kinematic	40 °C (104 °F)	46 mm ² /s (46 cSt)
Viscosity	100 °C (212 °F)	7 mm ² /s (7 cSt)
Viscosity Index		109

1. Follow the steps below to remove the old oil.
 - [1] Start and run the engine to warm up the oil.
 - [2] On a level surface, lower the mower decks, and then stop the engine.

[3] Remove the drain plug of the hydraulic tank, and then drain the old oil into a container.

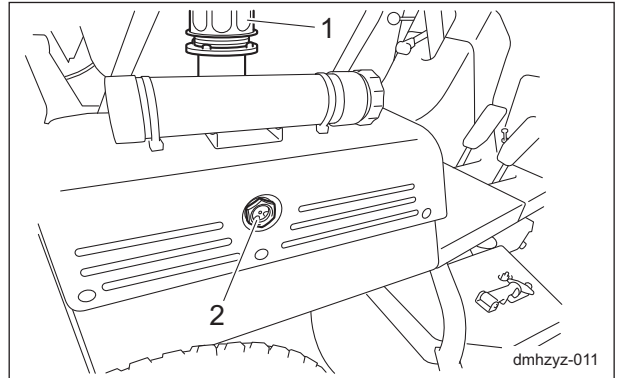
[4] Wind new sealing tape on the drain plug, and then attach it to the hydraulic tank.



Change of Hydraulic Oil_001

1	Hydraulic tank
2	Drain plug

2. Open the tank cap, and then pour new oil from the fill port until the oil level reaches the middle of the oil gauge on the hydraulic tank. The hydraulic tank capacity is approximately 22.0 dm³ (22.0 L).



Change of Hydraulic Oil_002

1	Tank cap
2	Oil gauge

3. Tighten the tank cap securely.
4. Start the engine, raise and lower the mower decks, and turn the steering wheel left and right. Move forward and reverse repeatedly several times.
5. Raise the mower decks and maintain that position on a level surface, and then check to see if the oil level is at the middle of the oil gauge. If necessary, supply oil.
6. Check underneath the machine for oil leakage.

Maintenance

Change of Hydraulic Oil Filter

⚠ Caution

Be careful with hot oil, which could cause burns if it contacts your skin.

Important

When replacing the hydraulic oil filter, be sure to drain the oil into a container and discard it in accordance with local laws and regulations.

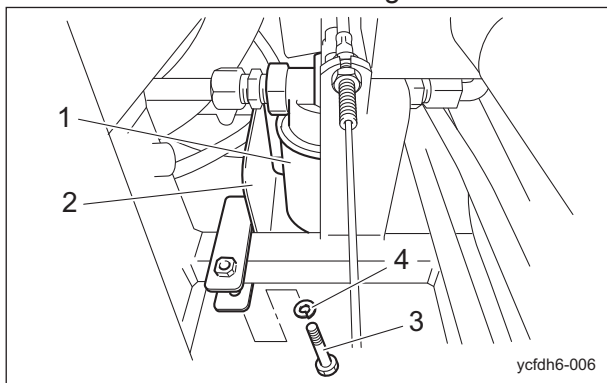
Important

If the hydraulic oil emulsifies or if it becomes even slightly less transparent, change the oil immediately.

Important

Use Shell Tellus S2M46 (or equivalent) as hydraulic oil.

1. Move the machine onto a level surface and stop the engine.
2. Remove the bolt fixing the filter guard and then the filter guard.
3. Remove the old filter cartridge.



Change of Hydraulic Oil Filter_001

1	Hydraulic oil filter
2	Filter guard
3	Bolt
4	Spring washer

4. Lightly coat the packing of the new filter cartridge with hydraulic oil, and then install the cartridge.
5. Screw in the filter cartridge by hand until the packing contacts the mounting surface. Then tighten additional 1/2 turn from that point.

6. Supply hydraulic oil until it reaches the specified level.
"Hydraulic Oil Supply" (Page 4-5)
7. Start the engine, and then stop it after 10 to 20 minutes.
8. Make sure that there is no oil leakage at the sealing surface of the filter cartridge.
9. Check the hydraulic oil level.
If it is low, supply hydraulic oil until it reaches the specified level.
10. Check underneath the machine for oil leakage.
11. Install the filter guard.

Change of Air Cleaner

A contaminated air cleaner element may cause malfunction of the engine.

To maximize the life of the engine, replace the air cleaner element at the appropriate times.

1. The timing for replacing the air cleaner element is described below.
 - [1] Replace the air cleaner element in accordance with the Maintenance Schedule.
 - [2] If it is significantly contaminated, replace it, even if the hours of operation do not exceed the specified time.
2. Replace the air cleaner element by following the same steps as for cleaning the air cleaner.
"Cleaning of Air Cleaner" (Page 4-6)

Change of Engine Oil

⚠ Caution

Be careful with hot oil, which could cause burns if it contacts your skin.

Important

When you change the engine oil, be sure to drain it into a bowl and discard it in accordance with local laws and regulations.

Important

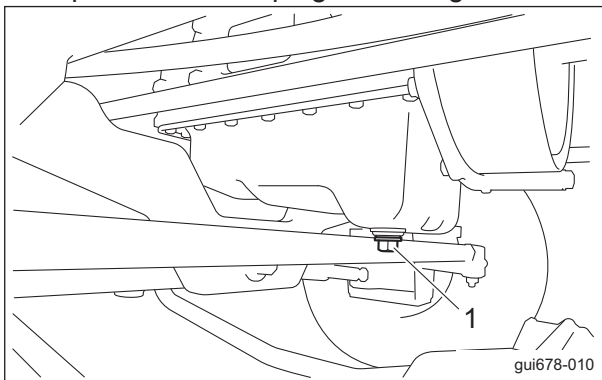
Be sure to use engine oil that is classified as API Service Grade CF or higher, with an SAE Viscosity that is appropriate for the operating environment (ambient temperature).

Important

Securely tighten the oil level gauge and oil filler cap.

Change the engine oil more frequently if the engine oil is contaminated, and especially if you use the machine in dusty areas or operate the engine at high loads or in high temperatures.

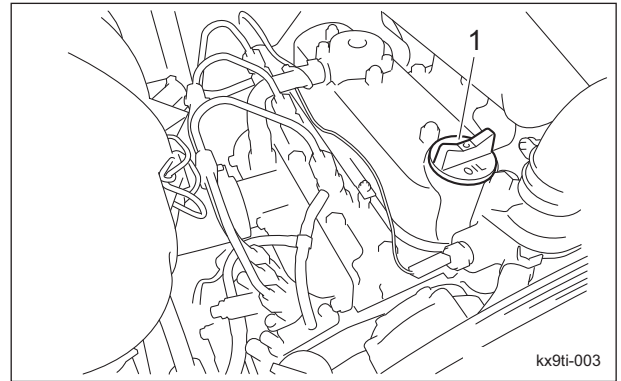
1. Move the machine onto a level surface, stop the engine, remove the drain plug while the engine oil is warm, and then drain the oil into a bowl.
2. Re-place the drain plug in the engine.



Change of Engine Oil_001

1	Drain plug
---	------------

3. Through the oil filling port, supply new engine oil until the oil reaches a level in between the upper and lower limit lines on the oil level gauge.
Engine oil quantity is approximately 3.0 dm³ (3.0 L).
4. Re-place the oil filler cap.



Change of Engine Oil_002

1	Oil filler cap
---	----------------

5. It will take a while for the supplied engine oil to descend into the oil pan.
Check the oil level again 10 to 20 minutes after supplying the oil.
6. Check underneath the machine for oil leakage.

Maintenance

Replacement of Engine Oil Filter

⚠ Caution

Be careful with hot oil, which could cause burns if it contacts your skin.

Important

When replacing the engine oil filter, be sure to drain the engine oil into a container and discard it in accordance with local laws and regulations.

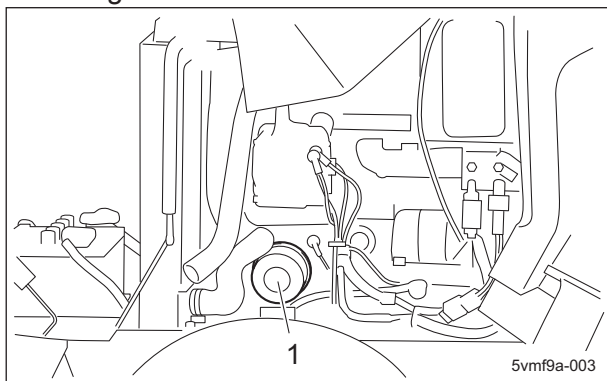
Important

Be sure to use engine oil that is classified as API Service Grade CF or higher, with an SAE Viscosity that is appropriate for the operating environment (ambient temperature).

Important

Securely tighten the oil level gauge and oil filler cap.

1. With the filter wrench, remove the old filter cartridge.



Replacement of Engine Oil Filter_001

1	Filter cartridge
---	------------------

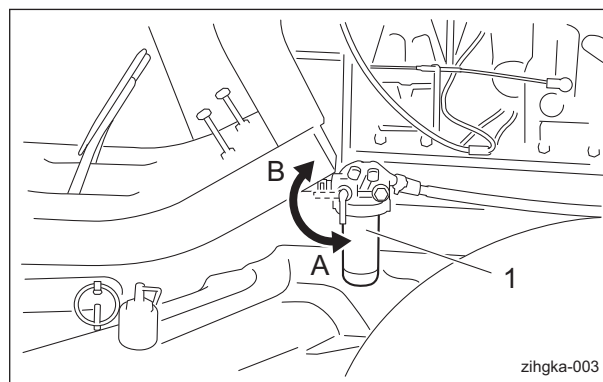
2. Lightly coat the packing of the new filter cartridge with engine oil.
3. Hand-tighten the filter cartridge until the packing contacts the sealing surface, and then firmly hand-tighten (without using a filter wrench).
4. Supply engine oil until it reaches the specified level.
"Supply of Engine Oil" (Page 4-9)
5. Start the engine, and then stop it after 10 to 20 minutes.

6. Make sure that there is no oil leakage at the sealing surface of the filter cartridge.
7. Check the engine oil level.
If it is low, supply engine oil until it reaches the specified level.

Replacement of Fuel Filter Element

If dust or dirt accumulates in the fuel filter, the fuel flow will become insufficient. Replace the fuel filter at the appropriate times. The fuel filter is on the right side under the hood.

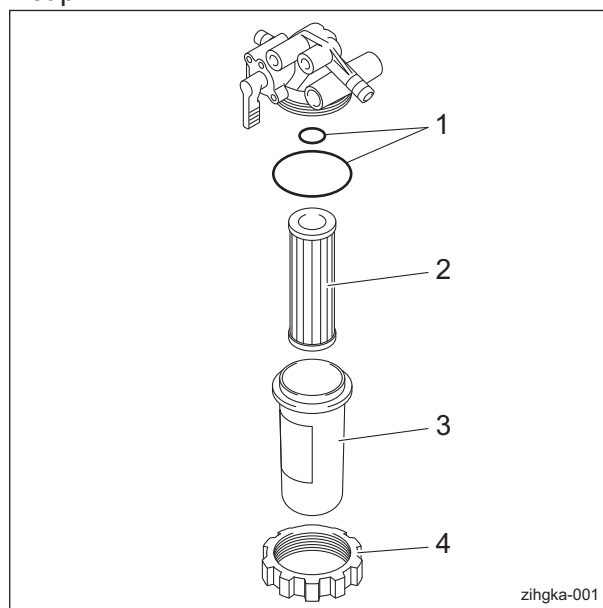
1. Close the fuel cock of the fuel filter.



Replacement of Fuel Filter Element_001

1	Fuel filter
A	ON (open)
B	OFF (close)

2. Remove the ring nut, and then remove the cup.



Replacement of Fuel Filter Element_002

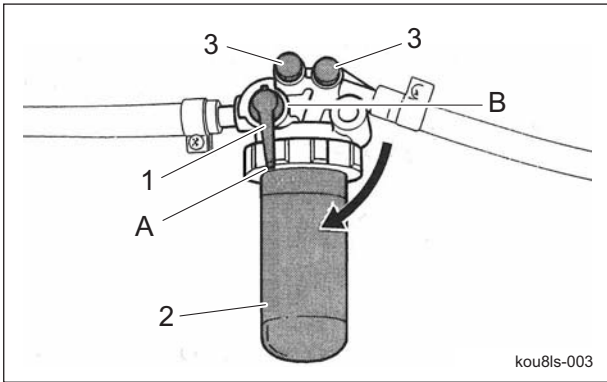
1	O-ring
2	Element
3	Cup
4	Ring nut

3. Clean the inside of the filter cup with diesel fuel.

Important

During installation, prevent contamination with dirt or dust. If the fuel is contaminated with dirt or dust etc., the fuel injection pump and injection nozzle will become worn.

4. Install a new fuel filter element, and then correctly install all parts in their original positions.
5. Fill up the fuel tank with fuel, and then open the fuel cock.



Replacement of Fuel Filter Element_003

1	Fuel cock
2	Fuel filter
3	Air-bleeding plug
A	ON (open)
B	OFF (close)

Note:

Air bleeding is not required since it occurs automatically.

Change of Transmission Oil

Caution

Be careful with hot oil, which could cause burns if it contacts your skin.

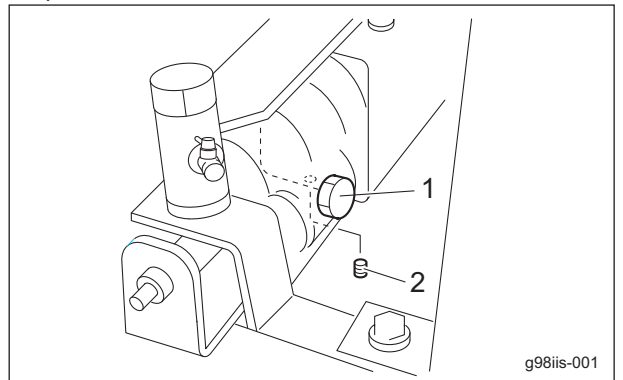
Important

When you change the transmission oil, be sure to drain it into a bowl and discard it in accordance with regional laws and regulations.

Important

Be sure to pour automobile gear oil that is classified as SAE Viscosity Grade #90 into the transmission.

1. Change the entire transmission oil after 50 hours of operation for the first time, and then change it every year. Transmission oil quantity is 0.45 dm³(0.45 L).



Change of Transmission Oil_001

1	Oil filling port
2	Drain plug

2. Make sure that oil does not bleed from mating areas of the gear box.
3. Check underneath the machine for oil leakage.

Maintenance

Change of Fuse

Important

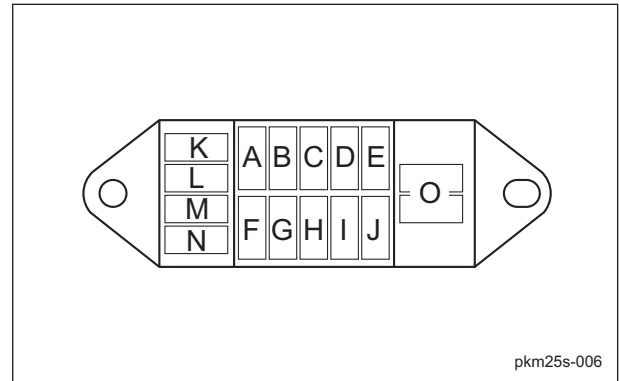
When performing maintenance on the electrical system, be sure to remove the negative battery wire.

Important

If a fuse blows, a short may have occurred within the electrical circuit. Check for the cause, such as faulty terminal connections, damaged wiring or terminals, or incorrect wiring.

Important

For fuse replacement, clean the fuse mounting area with use of compressed air before mounting the fuse.

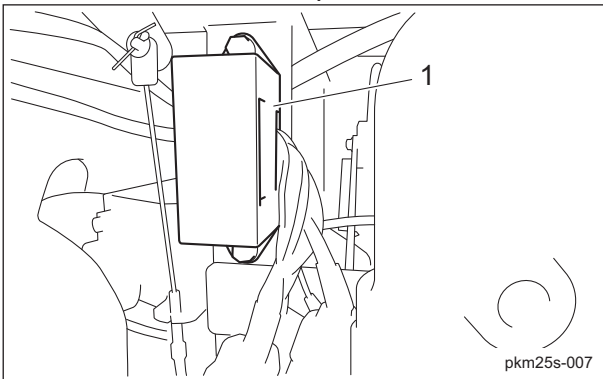


Fuse Box_002

A	5A	Timer (glow signal)
B	5A	Glow lamp
C	5A	Fuel pump
D	5A	Water temperature gauge, charge lamp, oil pressure (engine oil pressure) lamp, water temperature buzzer
E	15A	Electromagnetic valve
F	-	-
G	5A	Timer (start signal)
H	5A	Alternator
I	5A	Fuel SOL relay
J	5A	Starter relay, Delay timer, Sitting detection relay, Neutral detection relay
K	5A	Spare
L	5A	
M	15A	
N	15A	
O		Tool

Fuse Box

The fuse box includes spare fuses and tools.



Fuse Box_001

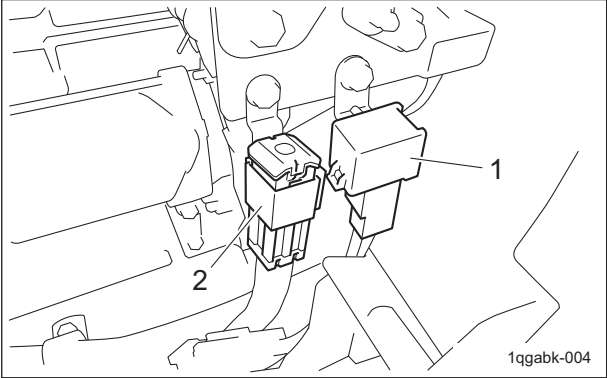
1	Fuse box
---	----------

The machine uses a mini fuse for automobiles. Replace an old fuse with a new fuse of the specified capacity.

Fusible Link

Fuse capacity of the fusible link is described below.

- Engine stop solenoid: 30 A
- Battery: 50 A



Fusible Link_001

1	Fusible link (engine stop solenoid)
2	Fusible link (battery)

EU Declaration of Conformity

Product Identification

Product : Lawnmower
Brand-Name : BARONESS
Type : GM1700
Starting Serial No. : 21221
Measured Sound Power Level : LWA 104.63 dB
Guaranteed Sound Power Level : LWA 105 dB
Manufacturer Name : Kyoisha Co., Ltd.
Address : 1-26 Miyuki-cho, Toyokawa, Aichi-pref., Japan

Conforms to the following Directives

2006/42/EC Machinery (MD)
2014/30/EU Electromagnetic compatibility (EMC)
2000/14/EC Noise emissions from outdoor equipment

We has been designed and manufactured using the following specifications

ISO 12100 : 2010 (2006/42/EC)
ISO 5395-1 : 2013 (2006/42/EC)
ISO 5395-3 : 2013 (2006/42/EC)
ISO 14982 : 1998 (2014/30/EU)

Keeper of Technical Documentation

Name : Kyoisha Co., Ltd.
Address : 1-26 Miyuki-cho, Toyokawa, Aichi-pref., Japan

Compiler of the technical file (2006/42/EC)

Name : Friedrich E. Barthels Nachf. Glockzin KG (GmbH & Co.)
Address : Gerhard-Falk-Str. 1 21035 Hamburg Germany

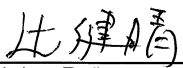
Conformity assessment procedures

Internal production control : Module A (2006/42/EC)
EC-type examination : Module B (2014/30/EU)
Internal control of production with assessment of technical documentation and periodical checking (2000/14/EC)

Involved Notified Body (2000/14/EC)

Name : TÜV SÜD Industrie Service GmbH
Address : Westendstraße 199 80686 München
Certificate : Notified Body NB0036 according 2000/14/EC

Place : Japan
Date : 13 December 2022 (13 / 12/ 2022)

Signature : 
Name : Takeharu Tsuji
Position : Quality Management Dept. Director

Traduction de la Déclaration de Conformité originale (fr)

Déclaration de conformité UE

Identification du produit

Produit : Tondeuse à gazon
Fabriquant : BARONESS
Type : GM1700
Numéro de série de début : 21221
Niveau de puissance acoustique mesuré : LwA 104.63 dB
Niveau de puissance acoustique garanti : LwA 105 dB
Fabricant Nom : Kyoisha Co., Ltd.
Adresse : 1-26, Miyuki-cho, Toyokawa, préfecture d'Aichi, Japon

Conforme aux directives suivantes :

2006/42/CE Machine (MD)
2014/30/UE Compatibilité électromagnétique (CEM)
2000/14/CE Émissions sonores de l'équipement de plein air

Conception et fabrication en respect des spécifications suivantes :

ISO 12100 : 2010 (2006/42/CE)
ISO 5395-1 : 2013 (2006/42/CE)
ISO 5395-3 : 2013 (2006/42/CE)
ISO 14982 : 1998 (2014/30/UE)

Fiche technique

Marque : Kyoisha Co., Ltd.
Adresse de la marque : 1-26, Miyuki-cho, Toyokawa, préfecture d'Aichi, Japon

Compilateur de la fiche technique (2006/42/CE)

Nom : Friedrich E. Barthels Nachf. Glockzin KG (GmbH & Co.)
Adresse : Gerhard-Falk-Str. 1 21035 Hambourg Allemagne

Procédures d'évaluation de la conformité

Contrôle de production interne : module A (2006/42/CE)
Examen de type CE : module B (2014/30/UE)
Contrôle interne de la production avec évaluation de la fiche technique et vérification périodique (2000/14/CE)

Organisme notifié impliqué (2000/14/CE)

Nom : TÜV SÜD Industrie Service GmbH
Adresse : Westendstraße 199 80686 München
N° de certificat : Notified Body NB0036 according 2000/14/EC

Declaración de conformidad de la UE

Identificación del producto

Producto: Cortacésped
 Marca: BARONESS
 Tipo: GM1700
 N.º de serie inicial: 21221
 Nivel de potencia sonora medido: LWA 104.63 dB
 Nivel de potencia sonora garantizado: LWA 105 dB
 Fabricante Nombre: Kyoeshia Co., Ltd.
 Dirección: 1-26 Miyuki-cho, Toyokawa, Aichi-pref., Japón

Cumple las siguientes Directivas

2006/42/CE Maquinaria (MD)
 2014/30/UE Compatibilidad electromagnética (EMC)
 2000/14/CE Emisiones sonoras de máquinas de uso al aire libre

Se ha diseñado y fabricado utilizando las siguientes especificaciones

ISO 12100 : 2010 (2006/42/CE)
 ISO 5395-1 : 2013 (2006/42/CE)
 ISO 5395-3 : 2013 (2006/42/CE)
 ISO 14982 : 1998 (2014/30/UE)

Documentación técnica

Nombre del responsable: Kyoeshia Co., Ltd.
 Dirección del responsable: 1-26 Miyuki-cho, Toyokawa, Aichi-pref., Japón

Compilador del archivo técnico (2006/42/CE)

Nombre: Friedrich E. Barthels Nachf. Glockzin KG (GmbH & Co.)
 Dirección: Gerhard-Falk-Str. 1 21035 Hamburgo Alemania

Procedimientos de evaluación de conformidad

Control de fabricación interno: Módulo A (2006/42/CE)
 Examen de tipo CE: Módulo B (2014/30/UE)
 Control interno de fabricación con evaluación de documentación técnica y comprobaciones periódicas (2000/14/CE)

Organismo notificado implicado (2000/14/CE)

Nombre: TÜV SÜD Industrie Service GmbH
 Dirección: Westendstraße 199 80686 München
 Certificado: Notified Body NB0036 according 2000/14/EC

EU-Konformitätserklärung

Produktbeschreibung

Produkt: Rasenmäher
 Marke: BARONESS
 Modell: GM1700
 Startseriennummer: 21221
 Gemessener Schallleistungspegel: LWA 104.63 dB
 Garantierter Schallleistungspegel: LWA 105 dB
 Hersteller Name: Kyoeshia Co., Ltd.
 Adresse: 1-26 Miyuki-cho, Toyokawa, Aichi-pref., Japan

Entspricht den folgenden Richtlinien

2006/42/EG Maschinenrichtlinie
 2014/30/EU Elektromagnetische Verträglichkeit (EMV)
 2000/14/EG Geräuschemission von im Freien betriebenen Geräten

Unter Anwendung der folgenden Bestimmungen entwickelt und hergestellt

ISO 12100 : 2010 (2006/42/EG)
 ISO 5395-1 : 2013 (2006/42/EG)
 ISO 5395-3 : 2013 (2006/42/EG)
 ISO 14982 : 1998 (2014/30/EU)

Technische Dokumentation

Name des Halters: Kyoeshia Co., Ltd.
 Adresse des Halters: 1-26 Miyuki-cho, Toyokawa, Aichi-pref., Japan

Technische Unterlagen erstellt von (2006/42/EG)

Name: Friedrich E. Barthels Nachf. Glockzin KG (GmbH & Co.)
 Adresse: Gerhard-Falk-Str. 1 21035 Hamburg Deutschland

Konformitätsbewertungsverfahren

Interne Produktionskontrolle : Modul A (2006/42/EG)
 EG-Baumusterprüfung : Modul B (2014/30/EU)
 Interne Produktionskontrolle mit Bewertung der technischen Unterlagen und regelmäßiger Überprüfung (2000/14/EG)

Beteiligte benannte Stelle (2000/14/EG)

Name: TÜV SÜD Industrie Service GmbH
 Adresse: Westendstraße 199 80686 München
 Bescheinigung.: Notified Body NB0036 according 2000/14/EC

EU-försäkringen om överensstämmelse

Produktidentifikation

Produkt : Gräsklippare
 Märke: BARONESS
 Typ: GM1700
 Serienummer startar på: 21221
 Uppmätt ljudeffektnivå: LWA 104.63 dB
 Garanterad ljudeffektnivå: LWA 105 dB
 Tillverkare Namn: Kyoisha Co., Ltd.
 Adress: 1-26 Miyuki-cho, Toyokawa, Aichi-pref., Japan

Uppfyller följande direktiv

2006/42/EG Maskindirektivet
 2014/30/EU Elektromagnetisk kompatibilitet (EMC)
 2000/14/EG Bulleremission från utomhusutrustning

Följande kravspecifikationer har följts vid konstruktion och tillverkning

ISO 12100 : 2010 (2006/42/EG)
 ISO 5395-1 : 2013 (2006/42/EG)
 ISO 5395-3 : 2013 (2006/42/EG)
 ISO 14982 : 1998 (2014/30/EU)

Teknisk dokumentation

Innehavarens namn: Kyoisha Co., Ltd.
 Innehavarens adress: 1-26 Miyuki-cho, Toyokawa, Aichi-pref., Japan

Den tekniska filen(2006/42/EG) har tagits fram av

Namn: Friedrich E. Barthels Nachf. Glockzin KG (GmbH & Co.)
 Adress: Gerhard-Falk-Str. 1 21035 Hamburg Tyskland

Förfarande för bedömning av överensstämmelse

Intern produktionskontroll: Modul A (2006/42/EG)
 EG-typprovning: Modul B (2014/30/EU)
 Intern kontroll av produktion med fastställande av teknisk dokumentation och periodiska kontroller (2000/14/EG)

Anmält organ (2000/14/EG)

Namn: TÜV SÜD Industrie Service GmbH
 Adress: Westendstraße 199 80686 München
 Certifikat : Notified Body NB0036 according 2000/14/EC

EU-overensstemmelseserklæring

Produktidentificering

Produkt : Plæneklipper
 Mærkenavn: BARONESS
 Type: GM1700
 Startende serienr.: 21221
 Målt lydeffektniveau: LWA 104.63 dB
 Garanteret lydeffektniveau: LWA 105 dB
 Producent Navn: Kyoisha Co., Ltd.
 Adresse: 1-26 Miyuki-cho, Toyokawa, Aichi-præf.,Japan

Er i overensstemmelse med følgende direktiver

2006/42/EF Maskineri (MD)
 2014/30/EU Elektromagnetisk kompatibilitet (EMC)
 2000/14/EF Støjmissioner fra udendørs udstyr

Vi har designet og produceret under følgende specifikationer

ISO 12100 : 2010 (2006/42/EF)
 ISO 5395-1 : 2013 (2006/42/EF)
 ISO 5395-3 : 2013 (2006/42/EF)
 ISO 14982 : 1998 (2014/30/EU)

Indehaver af teknisk dokumentation

Navn: Kyoisha Co., Ltd.
 Adresse: 1-26 Miyuki-cho, Toyokawa, Aichi-præf.,Japan

Kompilator af den tekniske fil (2006/42/EF)

Navn: Friedrich E. Barthels Nachf. Glockzin KG (GmbH & Co.)
 Adresse: Gerhard-Falk-Str. 1 21035 Hamborg Tyskland

Procedurer for overensstemmelsesvurdering

Intern produktionskontrol : Modul A (2006/42/EF)
 EF-typeafprøvning : Modul B (2014/30/EU)
 Intern fabrikationskontrol med vurdering af teknisk dokumentation og periodisk kontrol (2000/14/EF)

Berørt bemyndiget organ (2000/14/EF)

Navn: TÜV SÜD Industrie Service GmbH
 Adresse: Westendstraße 199 80686 München
 Certifikat: Bemyndiget organ NB0036 ifølge 2000/14/EF

UK Declaration of Conformity

Product Identification

Product :	Lawnmower
Brand-Name :	BARONESS
Type :	GM1700
Starting Serial No. :	21221
Measured Sound Power Level :	LWA 104.63 dB
Guaranteed Sound Power Level :	LWA 105 dB
Manufacturer Name :	Kyoeisha Co., Ltd.
Address :	1-26 Miyuki-cho, Toyokawa, Aichi-pref.,Japan

Conforms to the following Directives

Supply of Machinery (Safety) Regulations 2008 (SMD2008)
Electromagnetic Compatibility Regulations 2016 (EMC2016)
Noise Emission in the Environment by Equipment for use Outdoors Regulations 2001 (Noise2001)

We have been designed and manufactured under the following specifications

ISO 12100 : 2010 (SMD2008)
ISO 5395-1 : 2013 (SMD2008)
ISO 5395-3 : 2013 (SMD2008)
ISO 14982 : 1998 (EMC2016)

Keeper of Technical Documentation

Name : Kyoeisha Co., Ltd.
Address : 1-26 Miyuki-cho, Toyokawa, Aichi-pref.,Japan

Compiler of the technical file

Name : Kyoeisha U.K.Ltd.
Address : Unit 5 Hatch Industrial Park Grewell Road, Basingstoke Hampshire
RG24 7NG, the United Kingdom

Conformity assessment procedures

Internal production control : Module A (SMD2008)
EC-type examination : Module B (EMC2016)
Internal control of production with assessment of technical documentation and periodical checking (Noise2001)

Involved Notified Body (Noise2001)

Name : TUV SUD BABT UNLIMITED
Address : Octagon House, Concorde Way, Segensworth North, Fareham, Hampshire, PO15 5RL
Certificate : UKCA0168

Place : Japan
Date : 13 December 2022 (13 / 12/ 2022)

Signature : 
Name : Takeharu Tsuji
Position : Quality Management Dept. Director

BARONESS[®]
Quality on Demand

 **KYOEISHA CO., LTD.**
Head Office 1-26, Miyuki-cho, Toyokawa-city, Tel :+81-533-84-1390
Aichi-pref, 442-8530 JAPAN Fax:+81-533-84-1220