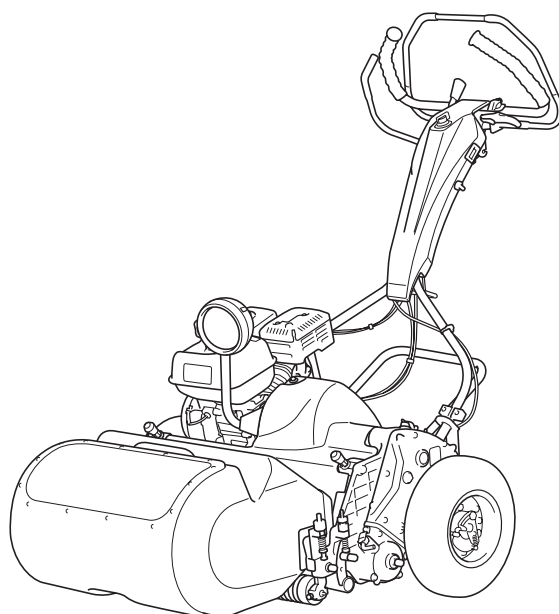


LM56GC · LM66GC ***LM66TC***

Walk Behind Greens Mower
Walk Behind Tee Mower

Parts catalog



BARONESS[®]
Quality on Demand

Serial No. LM56GC : 36028- • LM66GC : 35895-
LM66TC : 35227-

Ver.2.5

Greeting

Thank you for purchasing Baroness machine.

This machine has been shipped from the factory after comprehensive test runs and inspections. However, the optimum performance of the machine depends on how you use and maintain it, including routine inspections, adjustments, and fuel supplies before and after the operation.

We hope you will use the machine safely, and take advantage of its best performance.

Note

(For inquiry about this machine)

Since the type of machine may be changed sequentially, inform us of the type and the serial number.

The information described in this manual is subject to change without prior notice.

When replacing parts, be sure to use Baroness parts or parts designated by Kyoisha.

Note that the Baroness product warranty may not apply to defects caused by the use of parts from other companies.

(For ordering parts)

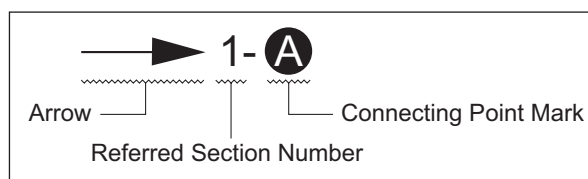
For prevention of delivery of wrong parts, be sure to inform us of the code number and the part name.

| Example: | Code No. | Part Name | Qty |
|----------|-------------|--------------------|-----|
| | K0200100002 | WASHER, SPRING M10 | 8 |

<Indication of the connecting point shown on the other page>

(Example and description)

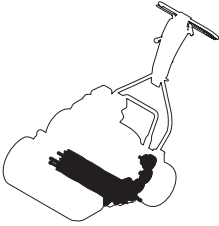
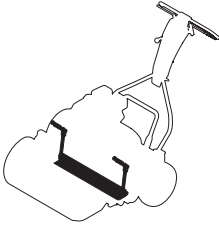
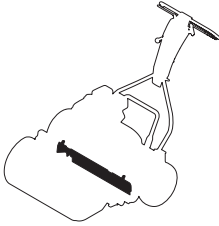
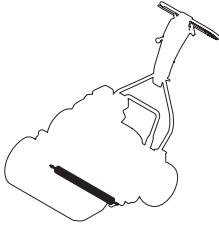
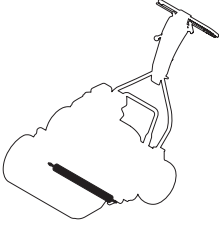
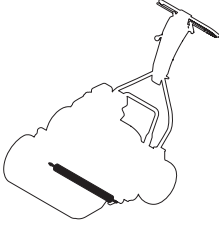
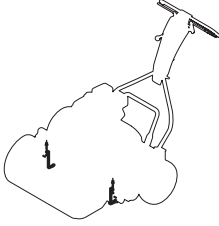
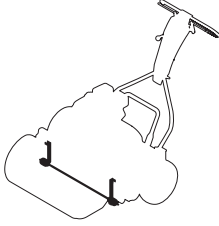
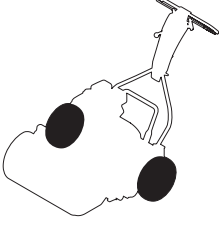
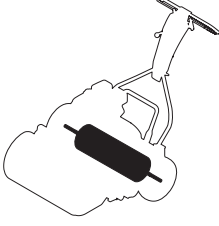
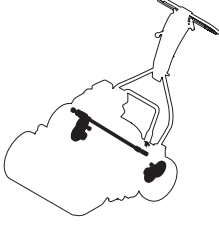
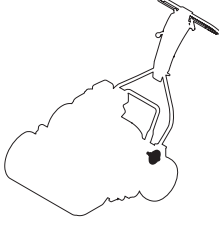
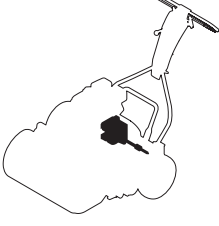
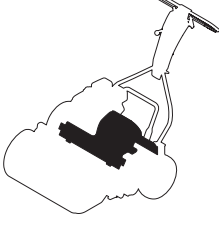
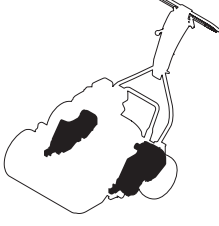


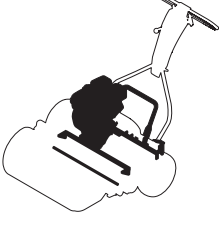
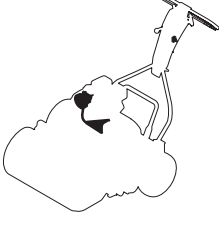
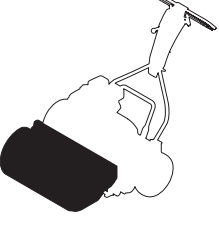
The following indication shows the connecting point of the part shown on the other page.



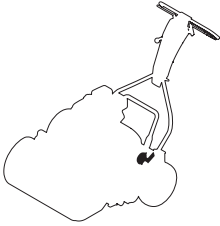
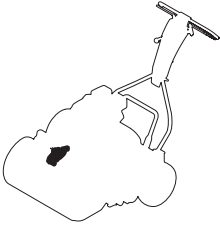
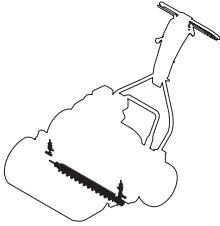

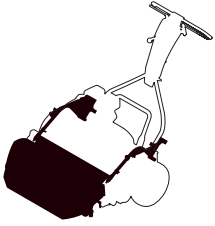
→ 1- **A** : Refer to the point **A** in the illustration of the section No.1

→ 2- **B** : Refer to the point **B** in the illustration of the section No.2

Contents

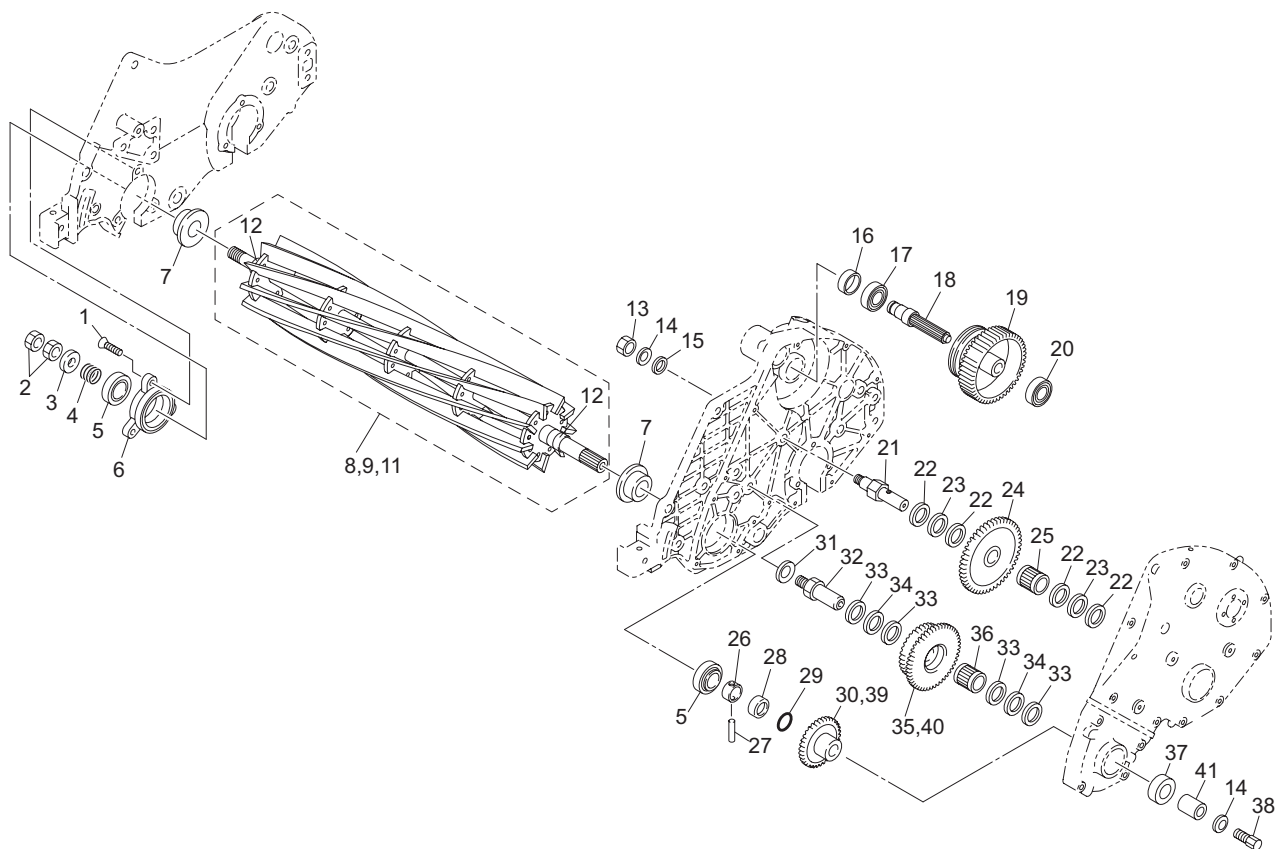
| | | | |
|---|--|--|--|
| <p>1. Reel cutter section P5</p>  | <p>2. Bedknife section P7</p>  | <p>3. Reel cover section ... P10</p>  | <p>A4. Front roller section A P11</p>  |
| <p>B4. Front roller section B P12</p>  | <p>C4. Front roller section C P13</p>  | <p>A5. Front roller section D P14</p>  | <p>B5. Support roller section P15</p>  |
| <p>6. Drum wheel section A (Tire) P16</p>  | <p>7. Drum wheel section B (Drum) P17</p>  | <p>9. Drum wheel section D P18</p>  | <p>10. Drum wheel section E P20</p>  |
| <p>11. Clutch section A P21</p>  | <p>12. Clutch section B P23</p>  | <p>13. Frame section..... P24</p>  | <p>A14. Handle & Engine section B..... P26</p>  |
| <p>B14. Handle & Engine section C P28</p>  | <p>15. Handle & Engine section D P30</p>  | <p>16. Light section P32</p>  | <p>17. Grass catcher section P33</p>  |

Contents

| | | | |
|---|--|---|--|
| <p>18. Brake section..... P35</p>  | <p>19. Groomer section A P36</p>  | <p>20. Groomer section B P38</p>  | <p>21. Groomer section C P40</p>  |
| <p>22. Independent Grass Catcher Arm section for LM56GC P41</p>  | <p>24. Accessories P43</p> | <p>25. Optional tools P44</p> | |
| | | | |
| | | | |
| | | | |

1. Reel cutter section

LM56GC•LM66GC/LM66TC

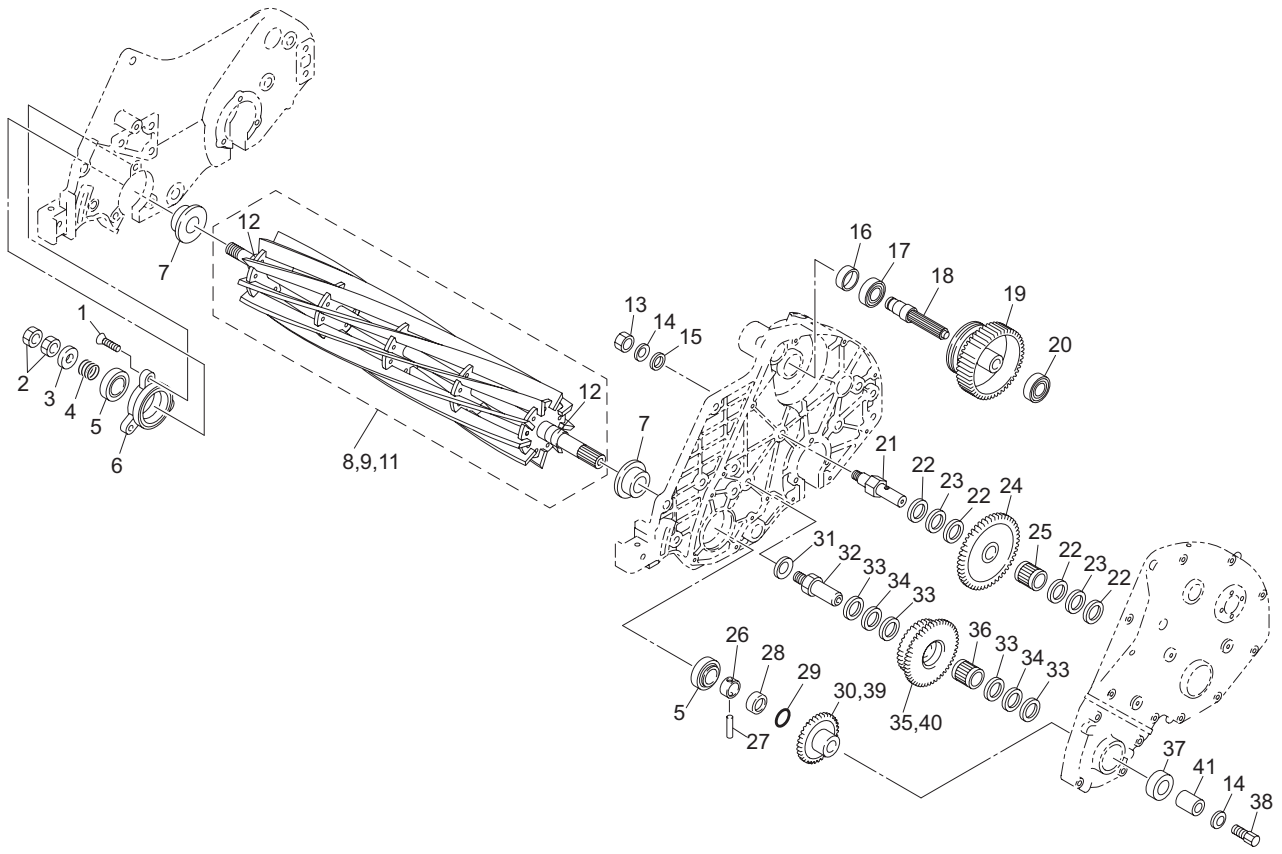


LM56GC_01_b02

| Cat No. | Code No. | Part name | Qty | | Remark | SN of application |
|---------|---------------|-----------------------------------|------|------|-----------------|-------------------|
| | | | LM56 | LM66 | | |
| 1a- 1 | K0053080202 | BOLT, FLAT HEAD W/HEX. HOLE M8-20 | 3 | 3 | | |
| 1a- 2 | K0185160002 | NUT, LEFT-HANDED P1.5 M16-3 | 2 | 2 | | |
| 1a- 3 | K5073216352 | WASHER, SPHC 3.2-16-35 | 1 | 1 | | |
| 1a- 4 | K1000000740 | SPRING, COMPRESSION M3.2-26.9-22 | 1 | 1 | | |
| 1a- 5 | K0631302040 | BEARING, TAPER ROLLER JRP6 30204 | 2 | 2 | | |
| 1a- 6 | LM56G--0606Z2 | HOUSING, REEL (RH) | 1 | 1 | | |
| 1a- 7 | K0830000020 | OIL SEAL, 254210 | 2 | 2 | | |
| 1a- 8 | K28056101BR | REEL CUTTER, 557-11 | 1 | 0 | 11-blade | |
| 1 - 9 | K28066109BR | REEL CUTTER, 646-9 | 0 | 1 | 9-blade | |
| 1a- 9 | K28066101BR | REEL CUTTER, 646-11 | 0 | 1 | 11-blade | |
| 1b- 10 | | | | | | |
| 1 - 11 | K28066107BR | REEL CUTTER, 646-7 | 0 | 1 | 7-blade | |
| 1a- 12 | K6000000540 | BUSH, SUS 23-25-15 | 2 | 2 | for replacement | |
| 1a- 13 | K0160000282 | NUT, P1 OH1 M10-3 | 1 | 1 | | |
| 1a- 14 | K0211100001 | SPRING, CONICAL DISC H M10 | 2 | 2 | | |
| 1a- 15 | K5000100002 | WASHER, M10 | 1 | 1 | | |
| 1a- 16 | K0811528070 | OIL SEAL, MHS15287 | 1 | 1 | | |
| 1a- 17 | K0612060020 | BEARING, BALL SEAL 2RD 6002 | 1 | 1 | | |
| 1a- 18 | LM56G--0108Z0 | SHAFT, #2 | 1 | 1 | | |
| 1a- 19 | LM56G--0102A0 | GEAR, 51-TEETH | 1 | 1 | | |
| 1a- 20 | K0612060010 | BEARING, BALL SEAL 2RD 6001 | 1 | 1 | | |
| 1a- 21 | LM55GB-0201A0 | SHAFT, LEFT FRAME #2 SHAFT | 1 | 1 | | |
| 1a- 22 | K5051013280 | WASHER, C5191P 1-13-28 | 4 | 4 | | |
| 1a- 23 | K5020813280 | WASHER, NBS55 0.8-13-28 | 2 | 2 | | |
| 1a- 24 | LM56G--0103A0 | GEAR, 46-TEETH | 1 | 1 | | |
| 1a- 25 | K0701317120 | BEARING, NEEDLE KT131712 | 1 | 1 | | |
| 1a- 26 | K6213000040 | COLLAR, W/HOLE FOR BEARING (LH) | 1 | 1 | | |
| 1a- 27 | K0311045250 | ROLLER, NEEDLE N4*25.8 FW6-C3 | 1 | 1 | | |
| 1a- 28 | K5300000282 | COVER, FOR PIN LOCK | 1 | 1 | | |
| 1a- 29 | K0880018000 | O-RING, P18 | 1 | 1 | | |

1. Reel cutter section

LM56GC•LM66GC/LM66TC

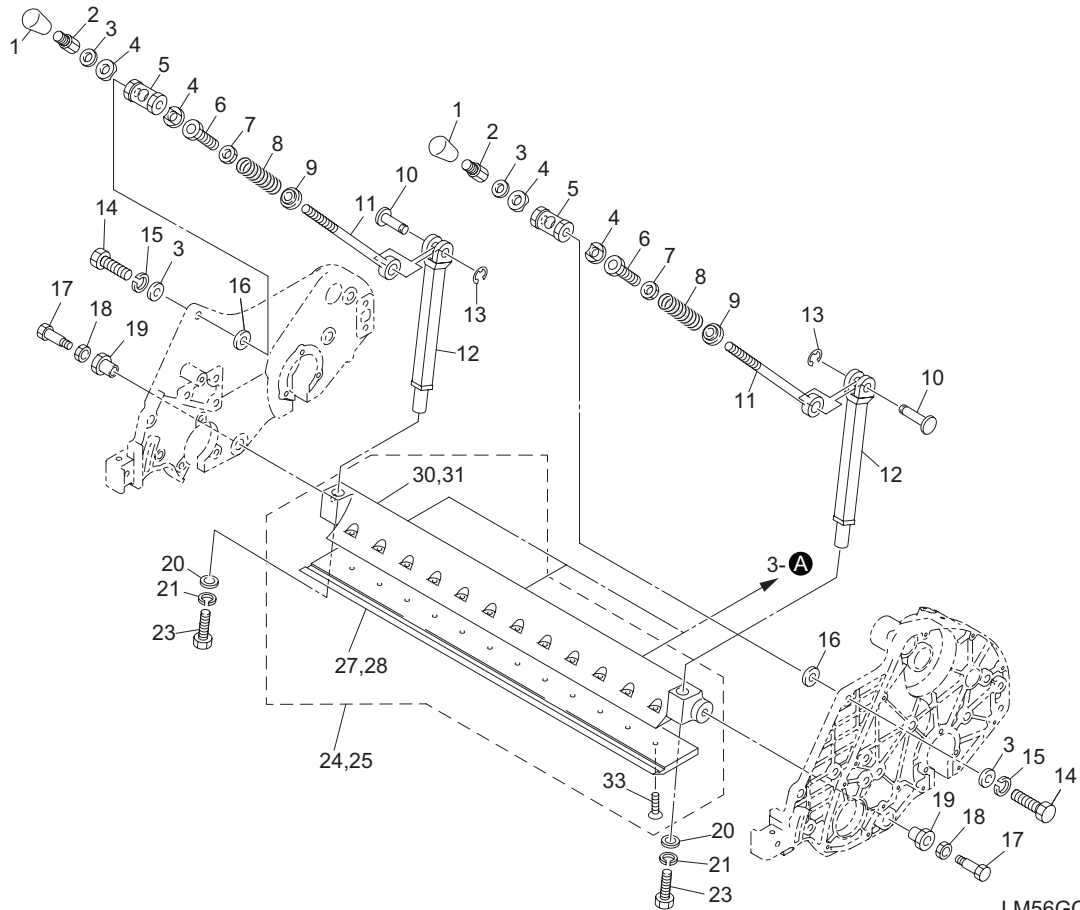


LM56GC_01_b02

| Cat No. | Code No. | Part name | Qty | | Remark | SN of application |
|---------|---------------|-----------------------------|------|------|-----------|-------------------|
| | | | LM56 | LM66 | | |
| 1a- 30 | LM56G--0105A0 | GEAR, 33-TOOTH REEL | 1 | 1 | | |
| 1a- 31 | K0211120002 | SPRING, CONICAL DISC H M12 | 1 | 1 | | |
| 1a- 32 | LM55GC-0102Z0 | COUNTERSHAFT, REEL | 1 | 1 | | |
| 1a- 33 | K5051015280 | WASHER, C5191P 1-15-28 | 4 | 4 | | |
| 1a- 34 | K5020815280 | WASHER, NBS55 0.8-15-28 | 2 | 2 | | |
| 1a- 35 | LM56G--0104B0 | GEAR, DOUBLE 36-/45-TEETH | 1 | 1 | | |
| 1a- 36 | K0701519180 | BEARING, NEEDLE KT151918 C3 | 1 | 1 | | |
| 1a- 37 | K0822840080 | OIL SEAL, MHSA28408 | 1 | 1 | | |
| 1a- 38 | LM56G--0110Z2 | BOLT, LAPPING | 1 | 1 | | |
| 1a- 39 | LM56G--1702Z0 | GEAR, REEL 42-TEETH | 0 | 1 | Tee Mower | |
| 1a- 40 | LM56G--1701Z0 | GEAR, 36-TEETH | 0 | 1 | Tee Mower | |
| 1a- 41 | LM56G--0109Z8 | COLLAR, RETAINING GEAR | 1 | 1 | | |
| | | | | | | |
| | | | | | | |
| | | | | | | |

2. Bedknife section

LM56GC•LM66GC/LM66TC

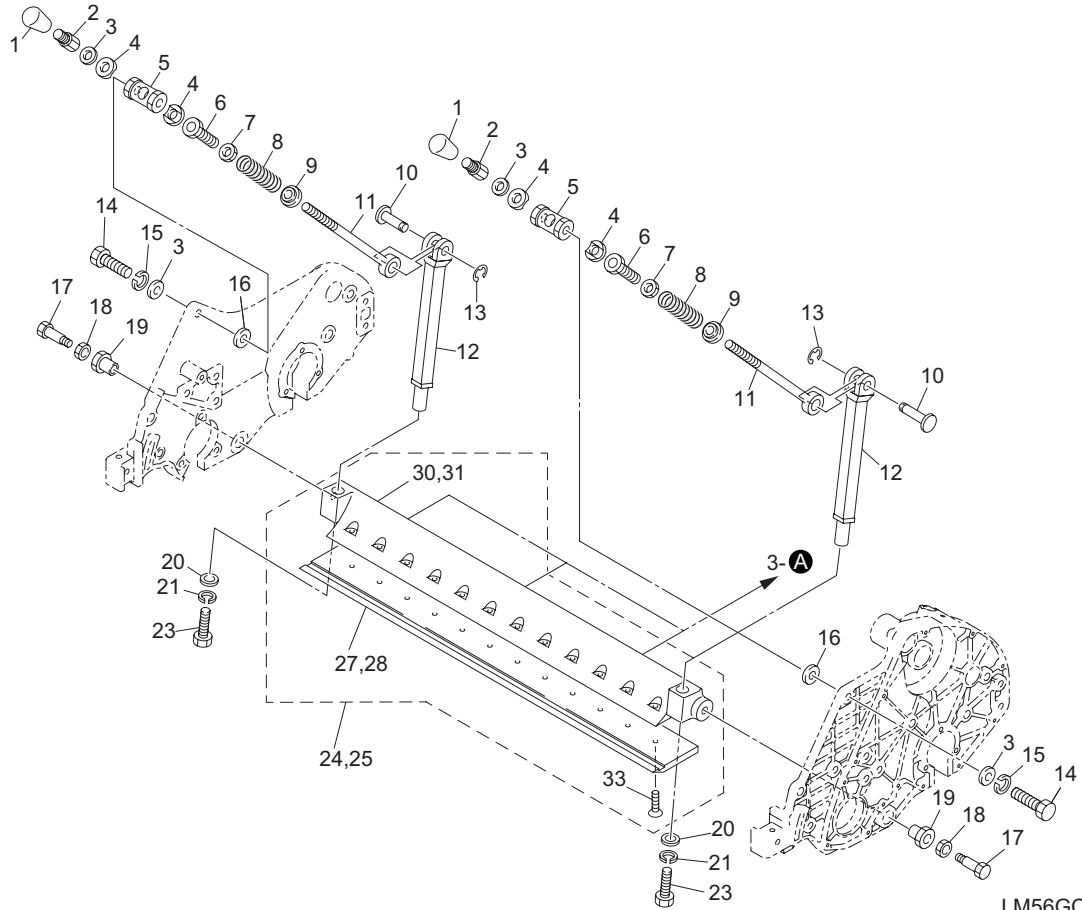


LM56GC_02_b00

| Cat No. | Code No. | Part name | Qty | | Remark | SN of application |
|---------|---------------|-------------------------------------|------|------|----------------|-------------------|
| | | | LM56 | LM66 | | |
| 2a- 1 | K1310000150 | CAP, RUBBER 14 | 2 | 2 | | |
| 2a- 2 | LM56GA-0506Z2 | NUT, ADJUSTING BED-KNIFE | 2 | 2 | | |
| 2a- 3 | K5000100002 | WASHER, M10 | 4 | 4 | | |
| 2a- 4 | K6500000102 | WASHER, SS41 M5-10.5-22 | 4 | 4 | | |
| 2a- 5 | LM56GA-0509A2 | FULCRUM | 2 | 2 | | |
| 2a- 6 | LM56G--0504Z2 | SCREW, ADJUSTING SPRING | 2 | 2 | | |
| 2a- 7 | K0160000582 | NUT, P1.25 M14-3 | 2 | 2 | | |
| 2a- 8 | K1000000458 | SPRING, COMPRESSION M5-25-60 | 2 | 2 | | |
| 2a- 9 | K6206000052 | RECEIVER, FOR SPRING | 2 | 2 | | |
| 2a- 10 | K6032000062 | PIN, FLAT HEAD HT M10-32 | 2 | 2 | | |
| 2a- 11 | K6511000082 | BOLT, ADJUSTING REEL CUTTER 140 | 2 | 2 | | |
| 2a- 12 | LM56GA-0503C2 | ARM, ADJUSTING BEDKNIFE | 2 | 2 | | |
| 2a- 13 | K0400008002 | RING, RETAINING E M8 | 2 | 2 | | |
| 2a- 14 | K0000100302 | BOLT, M10-30 | 2 | 2 | | |
| 2a- 15 | K0200100002 | WASHER, SPRING M10 | 2 | 2 | | |
| 2a- 16 | K5010412202 | WASHER, SPCC 0.4-12-20 | 2-6 | 2-6 | for adjustment | |
| 2a- 17 | K6082000010 | BOLT, SUS STEPPED FOR FIXING CUTTER | 2 | 2 | | |
| 2a- 18 | K0160000112 | NUT, LOCKING | 2 | 2 | | |
| 2a- 19 | K6010000010 | BUSH, STEPPED | 2 | 2 | | |
| 2a- 20 | K5073208202 | WASHER, SPHC 3.2-8-20 | 2 | 2 | | |
| 2a- 21 | K0200080002 | WASHER, SPRING M8 | 2 | 2 | | |
| 2a- 22 | | | | | | |
| 2 - 23 | K0000080202 | BOLT, M8-20 | 2 | 2 | | |
| 2 - 24 | LM56GA-2501A0 | BEDKNIFE & BASE COMP, 1.5 | 1 | 0 | | |
| 2a- 24 | LM56GA-1505A0 | BEDKNIFE & BASE COMP, 1.5-47-OFFSET | 1 | 0 | offset 5mm | |
| 2b- 24 | LM56GA-1508A0 | BEDKNIFE & BASE COMP, 2.0 | 1 | 0 | | |
| 2c- 24 | LM56GA-1506A0 | BEDKNIFE & BASE COMP, 2.0-47-OFFSET | 1 | 0 | offset 5mm | |
| 2d- 24 | LM56GA-0511A0 | BEDKNIFE & BASE COMP, 2.5 | 1 | 0 | | |
| 2e- 24 | LM56GA-1507A0 | BEDKNIFE & BASE COMP, 2.5-47-OFFSET | 1 | 0 | offset 5mm | |
| 2f - 24 | LM56GA-2601A0 | BEDKNIFE & BASE COMP, 3.0 | 1 | 0 | | |

2. Bedknife section

LM56GC•LM66GC/LM66TC

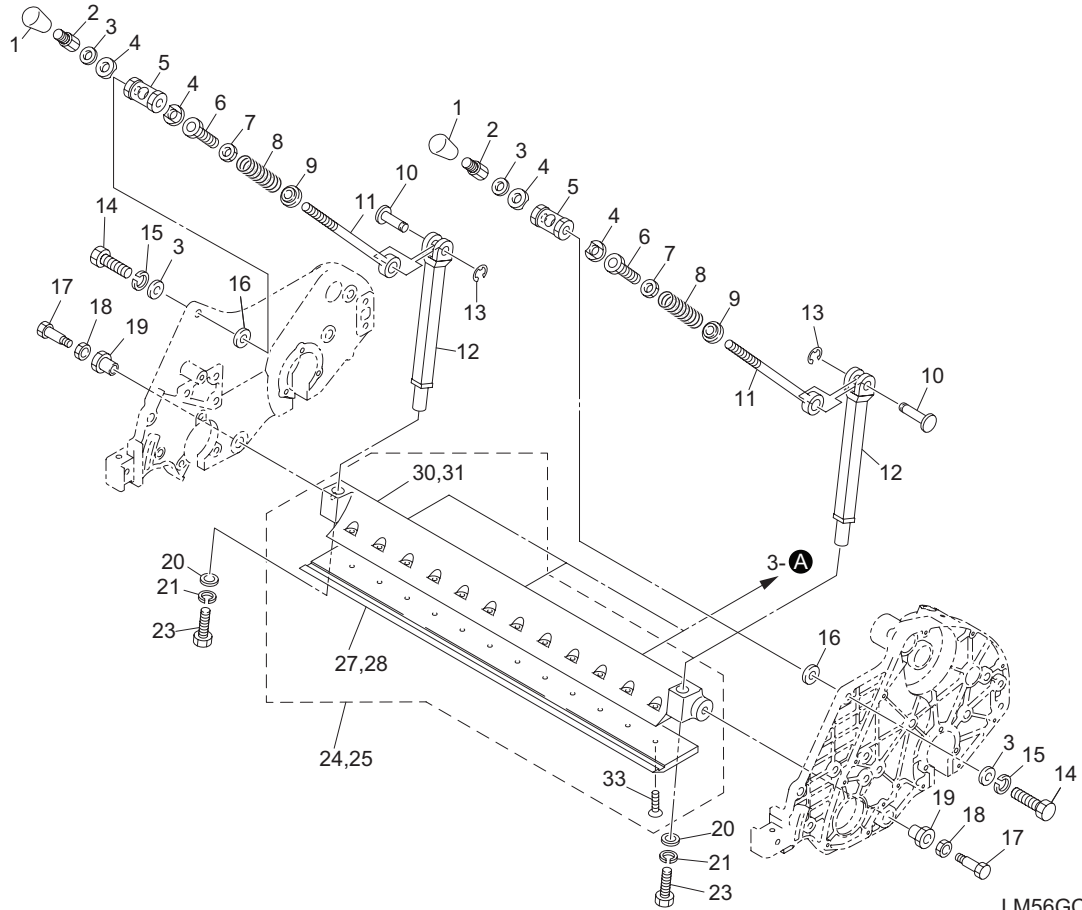


LM56GC_02_b00

| Cat No. | Code No. | Part name | Qty | | Remark | SN of application |
|---------|---------------|-------------------------------------|------|------|--------------|-------------------|
| | | | LM56 | LM66 | | |
| 2 - 25 | LM66GA-2501A0 | BEDKNIFE & BASE COMP, 1.5 | 0 | 1 | | |
| 2a- 25 | LM66GA-1505A0 | BEDKNIFE & BASE COMP, 1.5-47-OFFSET | 0 | 1 | offset 5mm | |
| 2b- 25 | LM66GA-1508A0 | BEDKNIFE & BASE COMP, 2.0 | 0 | 1 | | |
| 2c- 25 | LM66GA-1506A0 | BEDKNIFE & BASE COMP, 2.0-47-OFFSET | 0 | 1 | offset 5mm | |
| 2d- 25 | LM66GA-0511A0 | BEDKNIFE & BASE COMP, 2.5 | 0 | 1 | | |
| 2e- 25 | LM66GA-1507A0 | BEDKNIFE & BASE COMP, 2.5-47-OFFSET | 0 | 1 | offset 5mm | |
| 2f - 25 | LM66GA-2601A0 | BEDKNIFE & BASE COMP, 3.0 | 0 | 1 | | |
| 2g- 25 | LM66TA-0501A0 | BEDKNIFE & BASE COMP, 5.0 | 0 | 1 | | |
| 2b- 26 | | | | | | |
| 2 - 27 | K2511000270 | BEDKNIFE, 1.5-22 | 1 | 0 | | |
| 2a- 27 | K2511000390 | BEDKNIFE, 1.5-22-47 | 1 | 0 | offset 5mm | |
| 2b- 27 | K2511000280 | BEDKNIFE, 2.0-22 | 1 | 0 | | |
| 2c- 27 | K2511000350 | BEDKNIFE, 2.0-22-47 | 1 | 0 | offset 5mm | |
| 2d- 27 | K2511000050 | BEDKNIFE, 2.5-22 | 1 | 0 | | |
| 2e- 27 | K2511000240 | BEDKNIFE, 2.5-22-47 | 1 | 0 | offset 5mm | |
| 2f - 27 | K2510000060 | BEDKNIFE, TIPPED 3.0-22 | 1 | 0 | | |
| 2g- 27 | K2510000160 | BEDKNIFE, TIPPED 5.0-22 | 1 | 0 | | |
| 2h- 27 | K2511000490 | BEDKNIFE, TAKUMI 1.0-22 | 1 | 0 | | |
| 2j - 27 | K2511000510 | BEDKNIFE, TAKUMI 1.0-22-44.5 | 1 | 0 | offset 2.5mm | |
| 2 - 28 | K2511000310 | BEDKNIFE, 1.5-26 | 0 | 1 | | |
| 2a- 28 | K2511000400 | BEDKNIFE, 1.5-26-47 | 0 | 1 | offset 5mm | |
| 2b- 28 | K2511000300 | BEDKNIFE, 2.0-26 | 0 | 1 | | |
| 2c- 28 | K2511000360 | BEDKNIFE, 2.0-26-47 | 0 | 1 | offset 5mm | |
| 2d- 28 | K2511000200 | BEDKNIFE, 2.5-26 | 0 | 1 | | |
| 2e- 28 | K2511000250 | BEDKNIFE, 2.5-26-47 | 0 | 1 | offset 5mm | |
| 2f - 28 | K2510000150 | BEDKNIFE, TIPPED 3.0-26 | 0 | 1 | | |
| 2g- 28 | K2510000170 | BEDKNIFE, TIPPED 5.0-26 | 0 | 1 | | |
| 2d- 29 | | | | | | |
| 2 - 30 | LM56GA-0501AR | BASE, BEDKNIFE | 1 | 0 | | |
| 2 - 31 | LM66GA-0501AR | BASE, BEDKNIFE | 0 | 1 | | |

2. Bedknife section

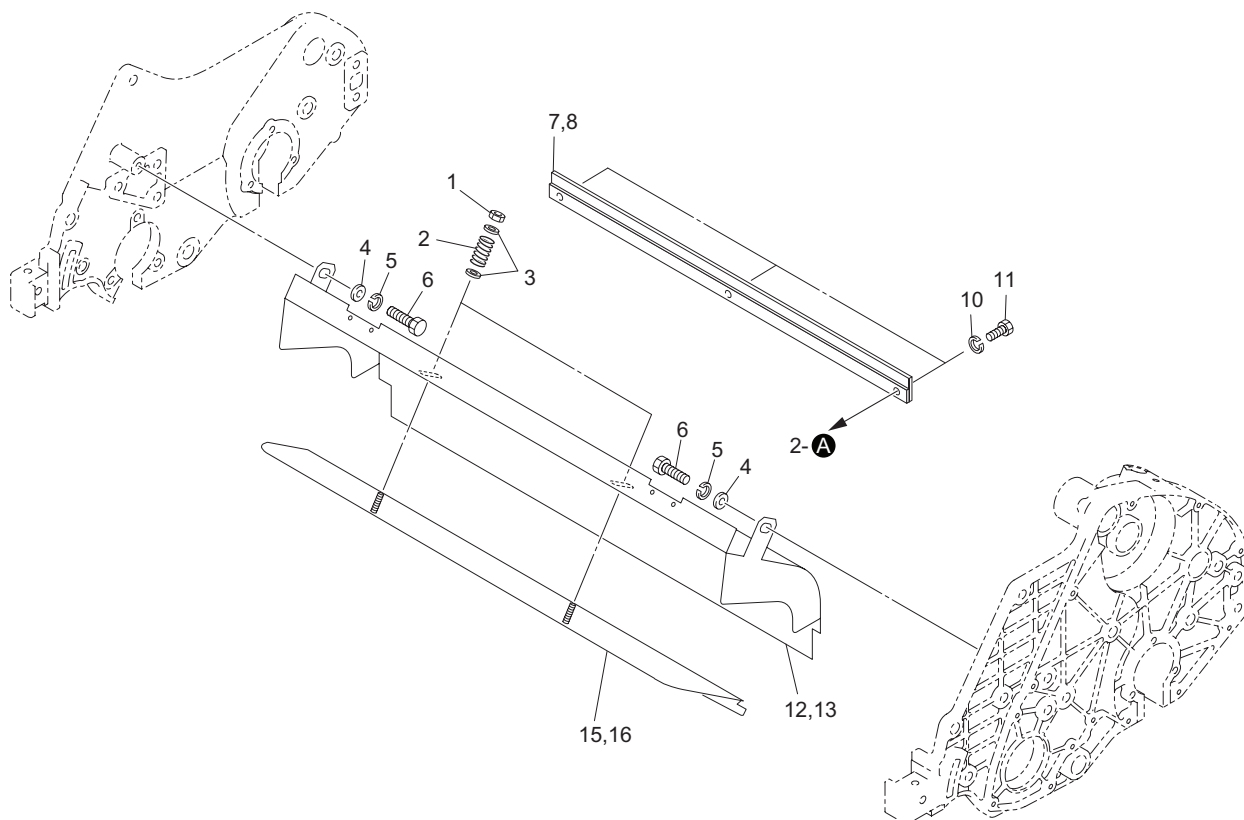
LM56GC•LM66GC/LM66TC



| Cat No. | Code No. | Part name | Qty | | Remark | SN of application |
|---------|-------------|-----------------------------|------|------|--------|-------------------|
| | | | LM56 | LM66 | | |
| 2a- 32 | K0071000222 | SCREW, HT + FLAT HEAD M6-12 | 13 | 15 | | |
| 2a- 33 | | | | | | |
| 2 - 34 | | | | | | |
| 2 - 35 | | | | | | |
| 2 - 36 | | | | | | |
| 2 - 37 | | | | | | |
| | | | | | | |
| | | | | | | |
| | | | | | | |
| | | | | | | |
| | | | | | | |

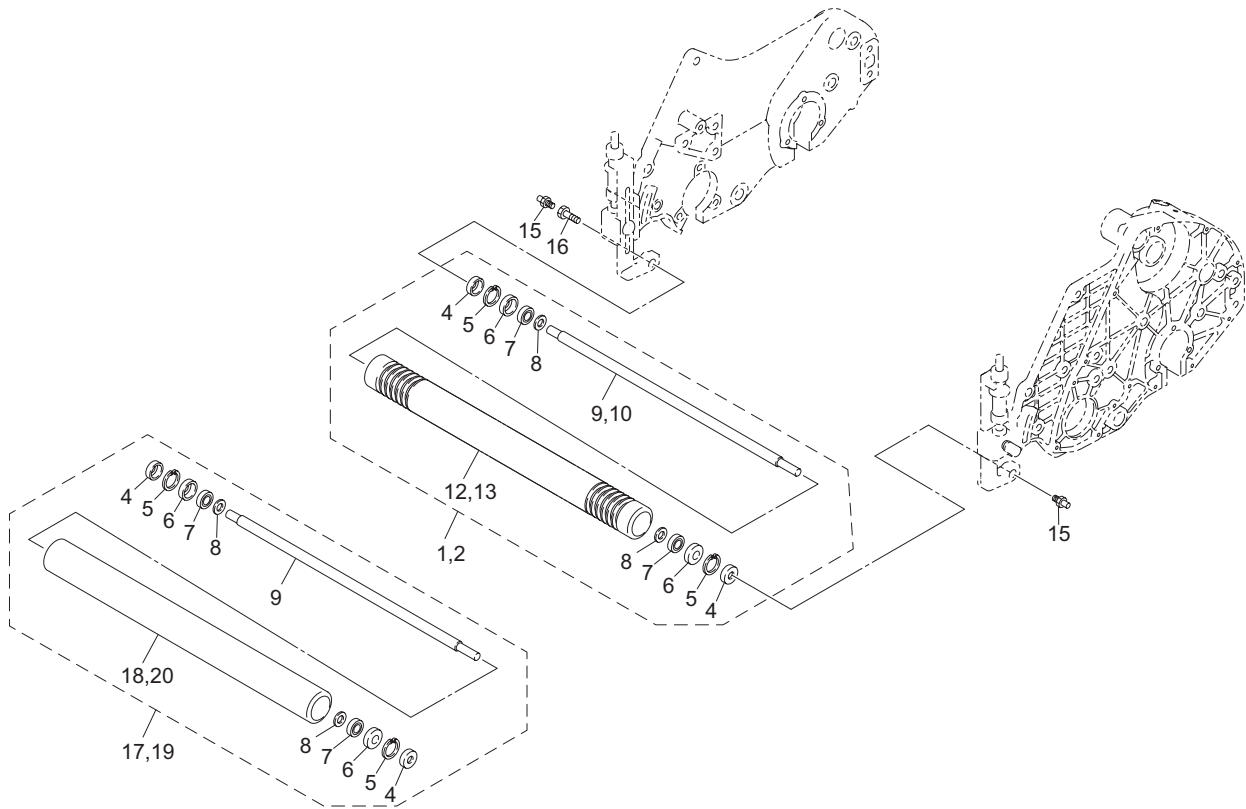
3. Reel cover section

LM56GC•LM66GC/LM66TC



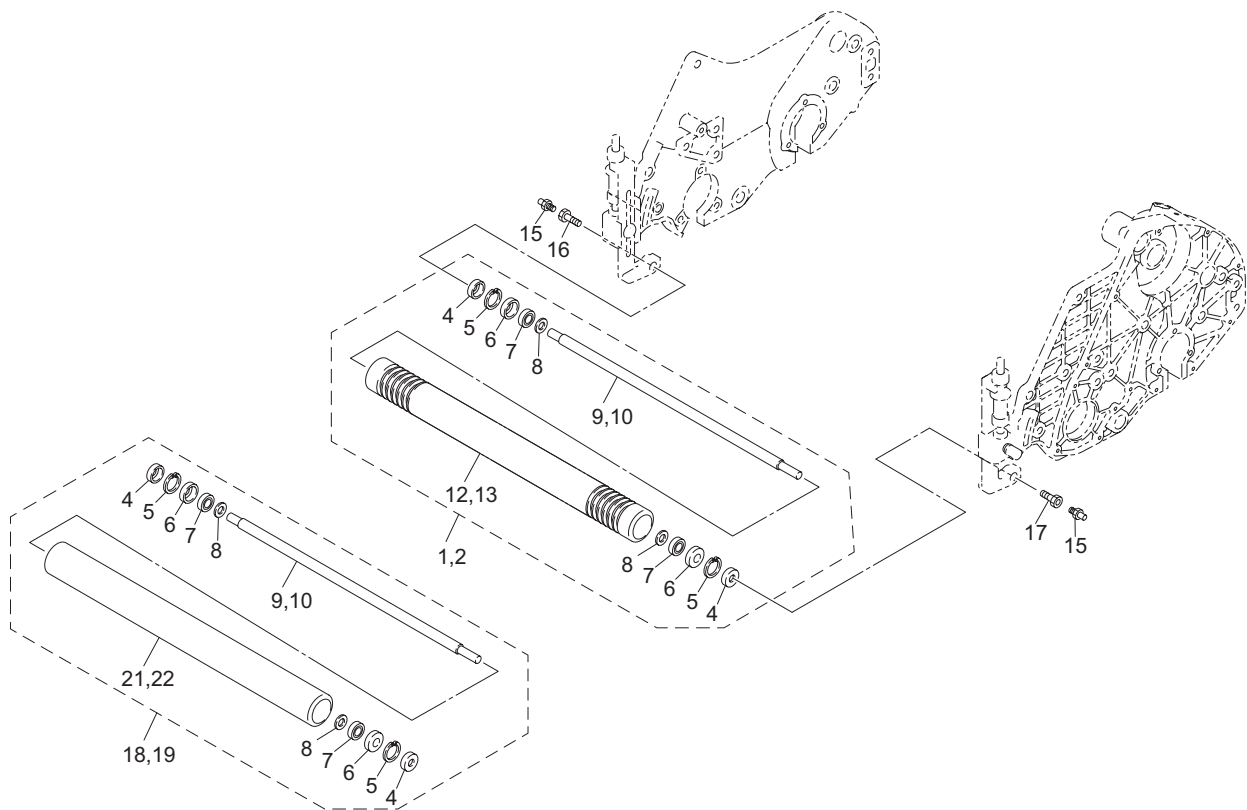
LM56GC_03_a00

| Cat No. | Code No. | Part name | Qty | | Remark | SN of application |
|---------|---------------|----------------------------------|------|------|--------|-------------------|
| | | | LM56 | LM66 | | |
| 3a- 1 | K0144060002 | NUT, W/F-RING M6 | 2 | 2 | | |
| 3a- 2 | K1000000309 | SPRING, COMPRESSION M1.6-13.7-20 | 2 | 2 | | |
| 3a- 3 | K5011606202 | WASHER, SPCC 1.6-6-20 | 4 | 4 | | |
| 3a- 4 | K5000080002 | WASHER, M8 | 2 | 2 | | |
| 3a- 5 | K0200080002 | WASHER, SPRING M8 | 2 | 2 | | |
| 3a- 6 | K0000080152 | BOLT, M8-15 | 2 | 2 | | |
| 3 - 7 | LM56GB-0521ZR | CLAMPER, REEL COVER | 1 | 0 | | |
| 3 - 8 | LM66GB-0521ZR | CLAMPER, REEL COVER | 0 | 1 | | |
| 3a- 9 | | | | | | |
| 3a- 10 | K0200060002 | WASHER, SPRING M6 | 3 | 3 | | |
| 3a- 11 | K0000060102 | BOLT, M6-10 | 3 | 3 | | |
| 3 - 12 | LM56GA-0502ZR | COVER, REEL | 1 | 0 | | |
| 3 - 13 | LM66GA-0502ZR | COVER, REEL | 0 | 1 | | |
| 3a- 14 | | | | | | |
| 3 - 15 | LM56GA-0510A2 | PLATE, RECTIFICATION 560 | 1 | 0 | | |
| 3 - 16 | LM66GA-0510A2 | PLATE, RECTIFICATION 650 | 0 | 1 | | |
| 3a- 17 | | | | | | |
| | | | | | | |
| | | | | | | |



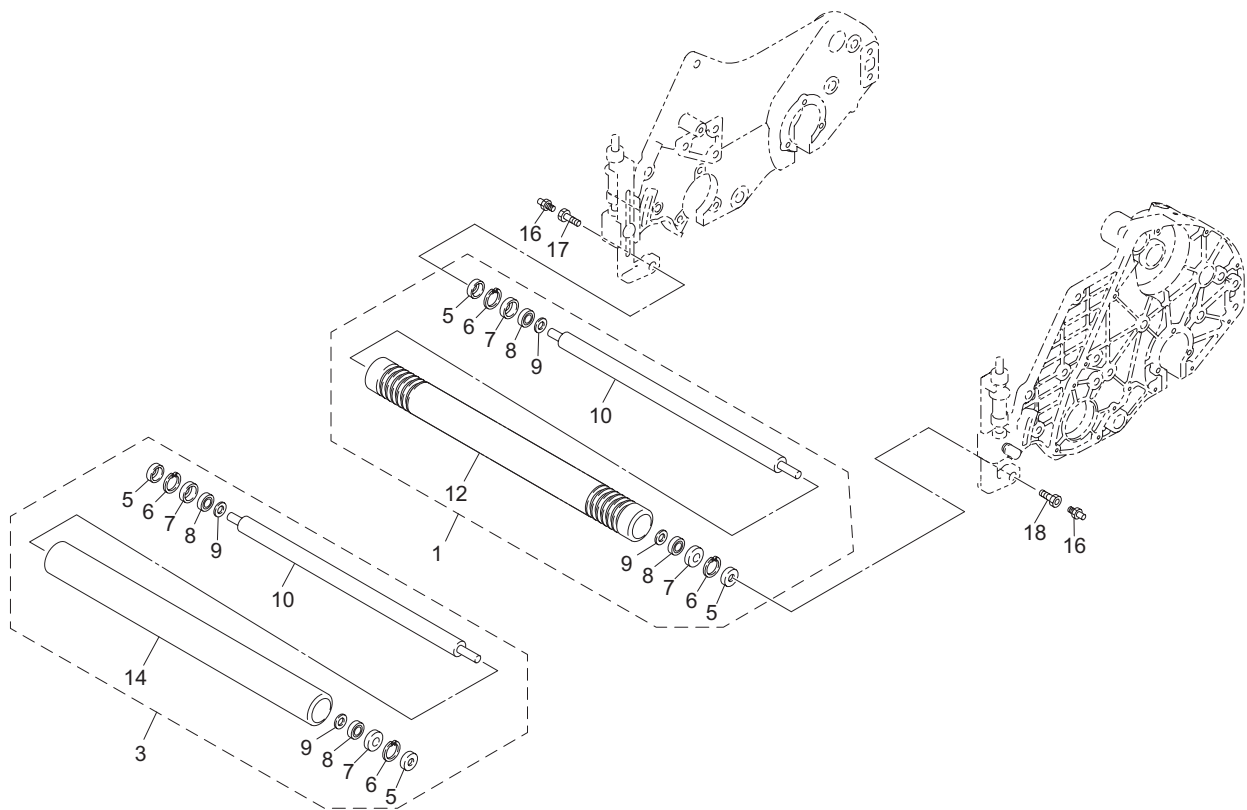
LM56GC_A4_a00

| Cat No. | Code No. | Part name | Qty | | Remark | SN of application |
|---------|---------------|--------------------------------|------|------|--------|-------------------|
| | | | LM56 | LM66 | | |
| A4a- 1 | LM56G--0403Z0 | ROLLER ASSY, GROOVED (LM56) | 1 | 0 | | |
| A4a- 2 | LM66G--0403Z0 | ROLLER ASSY, GROOVED (LM66) | 0 | 1 | | |
| A4a- 3 | | | | | | |
| A4a- 4 | K0861000020 | OIL SEAL, TA1542.38 | 2 | 2 | | |
| A4a- 5 | K0402042001 | RING, RETAINING R M42 | 2 | 2 | | |
| A4a- 6 | K0861000030 | OIL SEAL, 6202 | 2 | 2 | | |
| A4a- 7 | K0616062020 | BEARING, BALL SEAL 2NSEC3 6202 | 2 | 2 | | |
| A4a- 8 | K5051015280 | WASHER, C5191P 1-15-28 | 2 | 2 | | |
| A4a- 9 | K6131000122 | SHAFT, TAPPED ROLLER 596 | 1 | 0 | | |
| A4a- 10 | K6131000132 | SHAFT, TAPPED ROLLER 685 | 0 | 1 | | |
| A4a- 11 | | | | | | |
| A4a- 12 | LM56G--0402ZD | ROLLER, GROOVED 39 (LM56) | 1 | 0 | | |
| A4a- 13 | LM66G--0402ZD | ROLLER, GROOVED 46 (LM66) | 0 | 1 | | |
| A4a- 14 | | | | | | |
| A4a- 15 | K1440000010 | GREASE NIPPLE, STRAIGHT TYPE A | 2 | 2 | | |
| A4a- 16 | K6083000042 | PIN, STEPPED M15-19 | 1 | 1 | | |
| A4a- 17 | K8021000010 | ROLLER ASSY, FRONT 577 | 1 | 0 | | |
| A4a- 18 | K740000012D | ROLLER, SMOOTH 60-577 | 1 | 0 | | |
| A4a- 19 | K8021000020 | ROLLER ASSY, FRONT 666 | 0 | 1 | | |
| A4 - 20 | | | | | | |
| A4a- 21 | K740000006D | ROLLER, SMOOTH 60-666 | 0 | 1 | | |
| A4 - 22 | | | | | | |



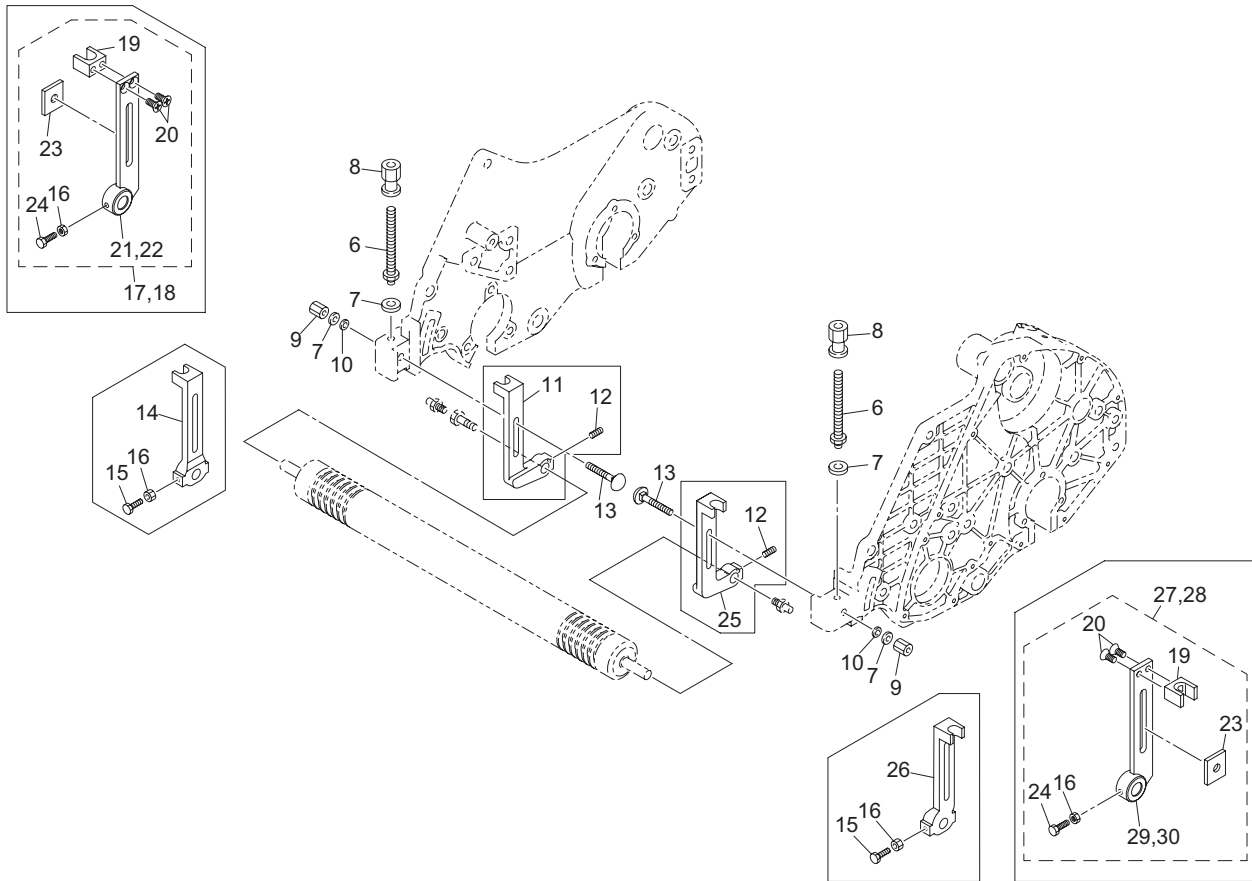
LM56GC_B4_a00

| Cat No. | Code No. | Part name | Qty | | Remark | SN of application |
|---------|---------------|--------------------------------|------|------|--------|-------------------|
| | | | LM56 | LM66 | | |
| B4a- 1 | LM56G--8201Z0 | ROLLER ASSY, GROOVED LM56 | 1 | 0 | | |
| B4a- 2 | LM66G--8201Z0 | ROLLER ASSY, GROOVED (LM66) | 0 | 1 | | |
| B4 - 3 | | | | | | |
| B4a- 4 | K0861000020 | OIL SEAL, TA1542.38 | 2 | 2 | | |
| B4a- 5 | K0402042001 | RING, RETAINING R M42 | 2 | 2 | | |
| B4a- 6 | K0861000030 | OIL SEAL, 6202 | 2 | 2 | | |
| B4a- 7 | K0616062020 | BEARING, BALL SEAL 2NSEC3 6202 | 2 | 2 | | |
| B4a- 8 | K5051015280 | WASHER, C5191P 1-15-28 | 2 | 2 | | |
| B4a- 9 | K6131000010 | SHAFT, TAPPED FRONT ROLLER 596 | 1 | 0 | | |
| B4a- 10 | K6131000020 | SHAFT, TAPPED FRONT ROLLER 685 | 0 | 1 | | |
| B4 - 11 | | | | | | |
| B4a- 12 | LM56G--0402ZD | ROLLER, GROOVED 39 (LM56) | 1 | 0 | | |
| B4a- 13 | LM66G--0402ZD | ROLLER, GROOVED 46 (LM66) | 0 | 1 | | |
| B4 - 14 | | | | | | |
| B4a- 15 | K1440000010 | GREASE NIPPLE, STRAIGHT TYPE A | 2 | 2 | | |
| B4a- 16 | K6083000042 | PIN, STEPPED M15-19 | 1 | 1 | | |
| B4a- 17 | K0071000152 | BOLT, LEFT-HANDED THREAD | 1 | 0 | | |
| B4a- 18 | LM56G--8502Z0 | ROLLER ASSY, SMOOTH 577 | 1 | 0 | | |
| B4a- 19 | LM66G--8502Z0 | ROLLER ASSY, SMOOTH 666 | 0 | 1 | | |
| B4 - 20 | | | | | | |
| B4a- 21 | K740000012D | ROLLER, SMOOTH 60-577 | 1 | 0 | | |
| B4a- 22 | K740000006D | ROLLER, SMOOTH 60-666 | 0 | 1 | | |
| B4 - 23 | | | | | | |



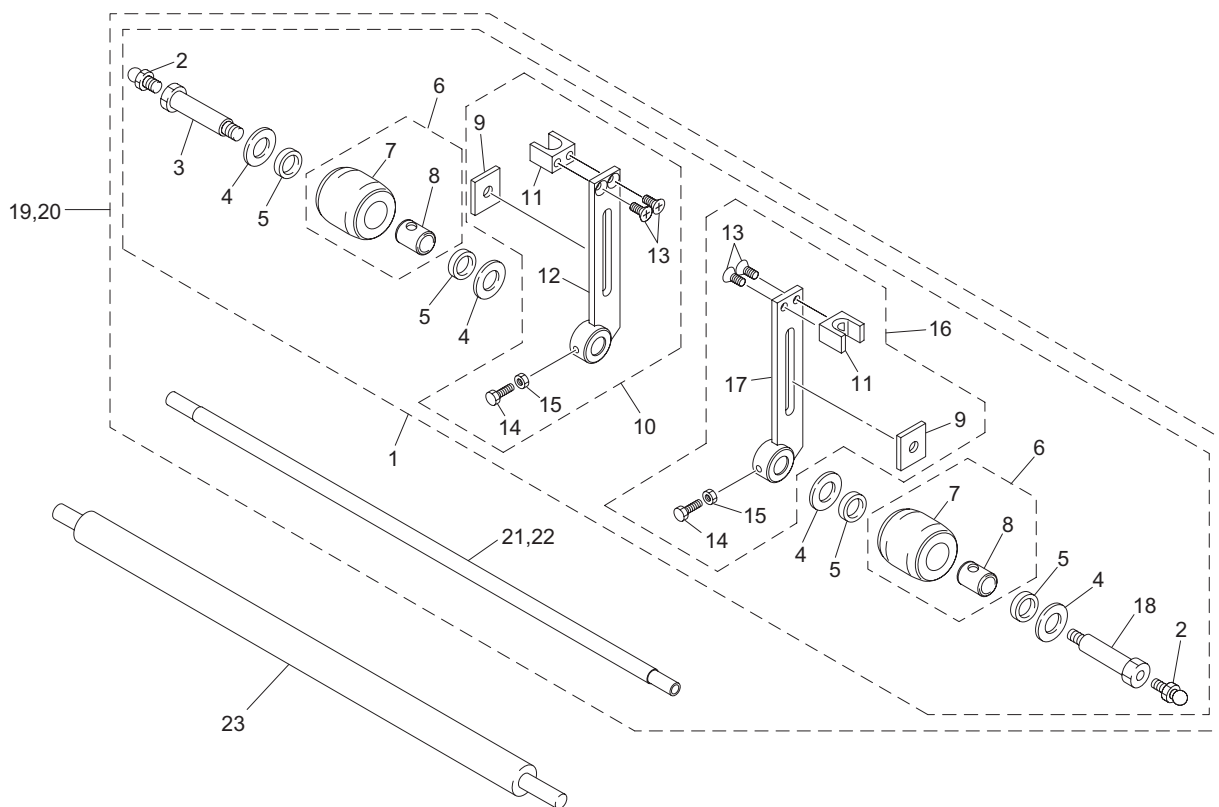
LM56GC_C4_a00

| Cat No. | Code No. | Part name | Qty | | Remark | SN of application |
|---------|---------------|-------------------------------------|------|------|----------|-------------------|
| | | | LM56 | LM66 | | |
| C4a- 1 | LM56G--6812Z0 | ROLLER ASSY, GROOVED (WEIGHTED) | 1 | 0 | for IGCA | |
| C4a- 2 | | | | | | |
| C4a- 3 | LM56GA-2910Z0 | ROLLER ASSY, SMOOTH (WEIGHTED) | 1 | 0 | for IGCA | |
| C4a- 4 | | | | | | |
| C4a- 5 | K0861000020 | OIL SEAL, TA1542.38 | 2 | 0 | | |
| C4a- 6 | K0402042001 | RING, RETAINING R M42 | 2 | 0 | | |
| C4a- 7 | K0861000030 | OIL SEAL, 6202 | 2 | 0 | | |
| C4a- 8 | K0616062020 | BEARING, BALL SEAL 2NSEC3 6202 | 2 | 0 | | |
| C4a- 9 | K5051015280 | WASHER, C5191P 1-15-28 | 2 | 0 | | |
| C4a- 10 | LM56G--6807B2 | SHAFT, FRONT ROLLER (WEIGHTED) LM56 | 1 | 0 | | |
| C4a- 11 | | | | | | |
| C4a- 12 | LM56G--0402ZD | ROLLER, GROOVED 39 (LM56) | 1 | 0 | | |
| C4a- 13 | | | | | | |
| C4a- 14 | K740000012D | ROLLER, SMOOTH 60-577 | 1 | 0 | | |
| C4a- 15 | | | | | | |
| C4a- 16 | K1440000010 | GREASE NIPPLE, STRAIGHT TYPE A | 2 | 0 | | |
| C4a- 17 | K6083000042 | PIN, STEPPED M15-19 | 1 | 0 | | |
| C4a- 18 | K0071000152 | BOLT, LEFT-HANDED THREAD | 1 | 0 | | |
| | | | | | | |
| | | | | | | |



LM56GC_A5_a00

| Cat No. | Code No. | Part name | Qty | | Remark | SN of application |
|---------|---------------|------------------------------------|------|------|----------------|-------------------|
| | | | LM56 | LM66 | | |
| A5a- 1 | | | | | | |
| A5a- 2 | | | | | | |
| A5a- 3 | | | | | | |
| A5a- 4 | | | | | | |
| A5a- 5 | | | | | | |
| A5a- 6 | LM56GA-0402A0 | SCREW, ADJUSTING CUTTING HEIGHT | 2 | 2 | | |
| A5a- 7 | K0213080002 | WASHER, DISK SPRING 1H M8 | 4 | 4 | | |
| A5a- 8 | K6084000162 | ADJUSTER FOR ROLLER (IGCA) | 0 | 2 | Tee Mower | |
| A5a- 9 | K0149083202 | NUT, HIGH M8-13-20 | 2 | 2 | | |
| A5a- 10 | K5000080002 | WASHER, M8 | 2 | 2 | | |
| A5a- 11 | K690400009D | BRACKET, ROLLER W/O GROOMER (RH) | 1 | 1 | No Groomer | |
| A5a- 12 | K0028060100 | SETSCREW, SUS M6-10 | 2 | 2 | | |
| A5a- 13 | K0071001162 | BOLT, LARGE HEAD SQUARE ROOT M8-55 | 2 | 2 | | |
| A5a- 14 | K6904000110 | BRACKET, ROLLER (RH) | 1 | 1 | With Groomer | |
| A5a- 15 | K0000060252 | BOLT, M6-25 | 2 | 2 | | |
| A5a- 16 | K0100060002 | NUT, M6 | 2 | 2 | | |
| A5a- 17 | LM66G--2802Z0 | BRACKET COMP, FRONT ROLLER RIGHT | 0 | 1 | Height Cutting | |
| A5a- 18 | LM56GC-2905Z0 | BRACKET COMP, ROLLER (RH) | 1 | 1 | Smooth Roller | |
| A5a- 19 | K6090000592 | BRACKET, CUTITNG HEIGHT ADJUSTER | 2 | 2 | | |
| A5a- 20 | K0041060152 | SCREW, + FLAT HEAD M6-15 | 4 | 4 | | |
| A5a- 21 | LM66G--2804Z2 | BRACKET, FRONT ROLLER (RH) | 0 | 1 | Height Cutting | |
| A5a- 22 | LM56GC-2907Z2 | BRACKET, ROLLER 15 (RH) | 1 | 1 | Smooth Roller | |
| A5a- 23 | K5141000602 | PLATE, SPACER 4.5-27-32 | 1 | 1 | | |
| A5a- 24 | K0000060202 | BOLT, M6-20 | 2 | 2 | | |
| A5a- 25 | K690400008D | BRACKET, ROLLER W/O GROOMER (LH) | 1 | 1 | No Groomer | |
| A5a- 26 | K6904000100 | BRACKET, ROLLER (LH) | 1 | 1 | With Groomer | |
| A5a- 27 | LM66G--2801Z0 | BRACKET COMP, FRONT ROLLER LEFT | 0 | 1 | Height Cutting | |
| A5a- 28 | LM56GC-2904Z0 | BRACKET COMP, ROLLER (LH) | 1 | 1 | Smooth Roller | |
| A5a- 29 | LM66G--2803Z2 | BRACKET, FRONT ROLLER(LH) | 0 | 1 | Height Cutting | |
| A5a- 30 | LM56GC-2906Z2 | BRACKET, ROLLER 15 (LH) | 1 | 1 | Smooth Roller | |

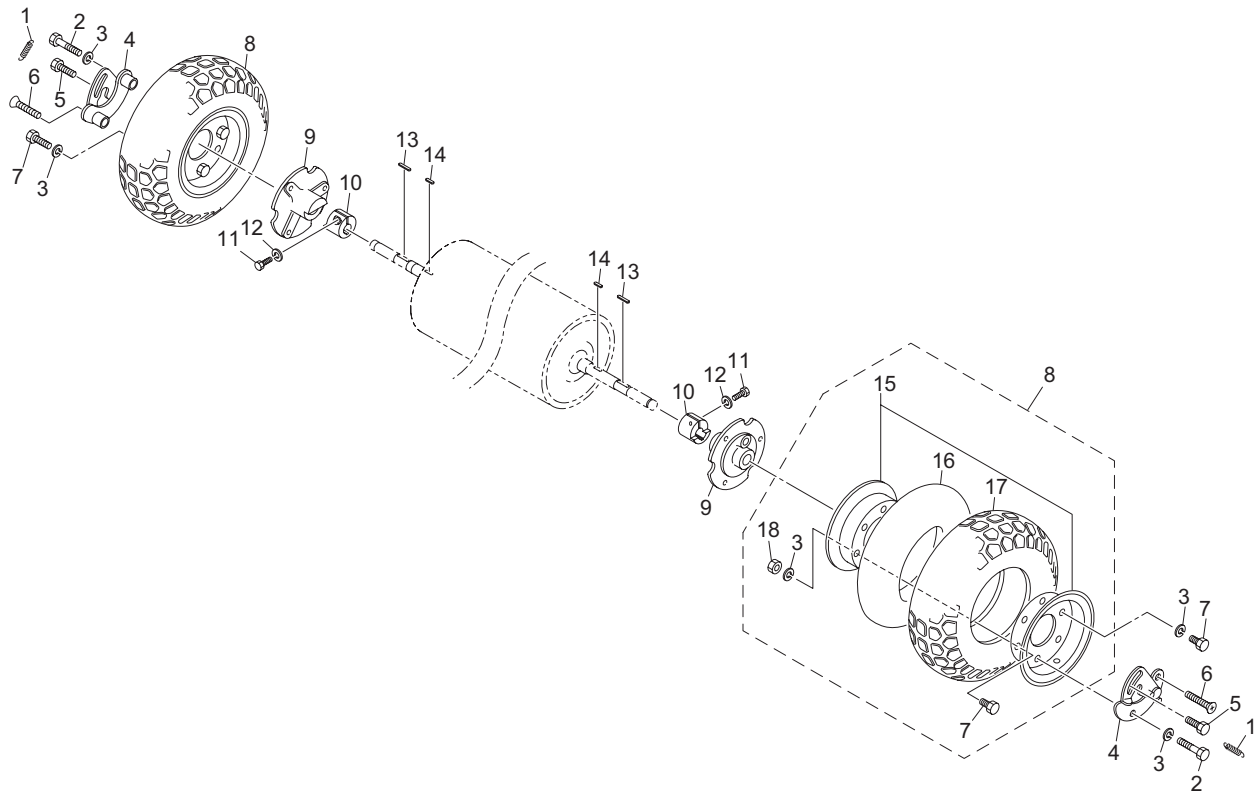


LM56GC_B5_a00

| Cat No. | Code No. | Part name | Qty | | Remark | SN of application |
|---------|---------------|-------------------------------------|------|------|--------|-------------------|
| | | | LM56 | LM66 | | |
| B5a- 1 | LM56G--8301A0 | ROLLER KIT, SUPPORT LM56 | 1 | 1 | option | |
| B5a- 2 | K1440000010 | GREASE NIPPLE, STRAIGHT TYPE A | 2 | 2 | | |
| B5a- 3 | LM56G--8305Z0 | SHAFT, SUPPORT ROLLER (RH) | 1 | 1 | | |
| B5a- 4 | K5051015350 | WASHER, C5191P 1-15-35 | 4 | 4 | | |
| B5a- 5 | K0801525040 | OIL SEAL, MH15254 | 4 | 4 | | |
| B5a- 6 | LM56G--8302A0 | ROLLER COMP, SUPPORT LM56 | 2 | 2 | | |
| B5a- 7 | LM56G--8303A0 | ROLLER, SUPPORT LM56 | 2 | 2 | | |
| B5a- 8 | K6000000150 | BUSH, W/HOLE 15-20-29 | 2 | 2 | | |
| B5a- 9 | K5141000602 | PLATE, SPACER 4.5-27-32 | 2 | 2 | | |
| B5a- 10 | LM56G--8309Z0 | BRACKET COMP, ROLLER 18 (RH) | 1 | 1 | | |
| B5a- 11 | K6090000592 | BRACKET, CUTITNG HEIGHT ADJUSTER | 2 | 2 | | |
| B5a- 12 | LM56G--8307Z2 | BRACKET, ROLLER 18 (RH) | 1 | 1 | | |
| B5a- 13 | K0041060152 | SCREW, + FLAT HEAD M6-15 | 4 | 4 | | |
| B5a- 14 | K0000060202 | BOLT, M6-20 | 2 | 2 | | |
| B5a- 15 | K0100060002 | NUT, M6 | 2 | 2 | | |
| B5a- 16 | LM56G--8308Z0 | BRACKET COMP, ROLLER 18 (LH) | 1 | 1 | | |
| B5a- 17 | LM56G--8306Z2 | BRACKET, ROLLER 18 (LH) | 1 | 1 | | |
| B5a- 18 | LM56G--8304Z0 | SHAFT, SUPPORT ROLLER (LH) | 1 | 1 | | |
| B5a- 19 | LM56GC-3010Z0 | ROLLER COMP, SUPPORT 56 | 1 | 0 | option | |
| B5a- 20 | LM66GC-3001Z0 | ROLLER COMP, SUPPORT 66 | 0 | 1 | option | |
| B5a- 21 | K6131000010 | SHAFT, TAPPED FRONT ROLLER 596 | 1 | 0 | | |
| B5a- 22 | K6131000020 | SHAFT, TAPPED FRONT ROLLER 685 | 0 | 1 | | |
| B5a- 23 | LM56G--6807B2 | SHAFT, FRONT ROLLER (WEIGHTED) LM56 | 1 | 0 | option | |
| B5a- 24 | | | | | | |

6. Drum wheel section A (Tire)

LM56GC•LM66GC/LM66TC

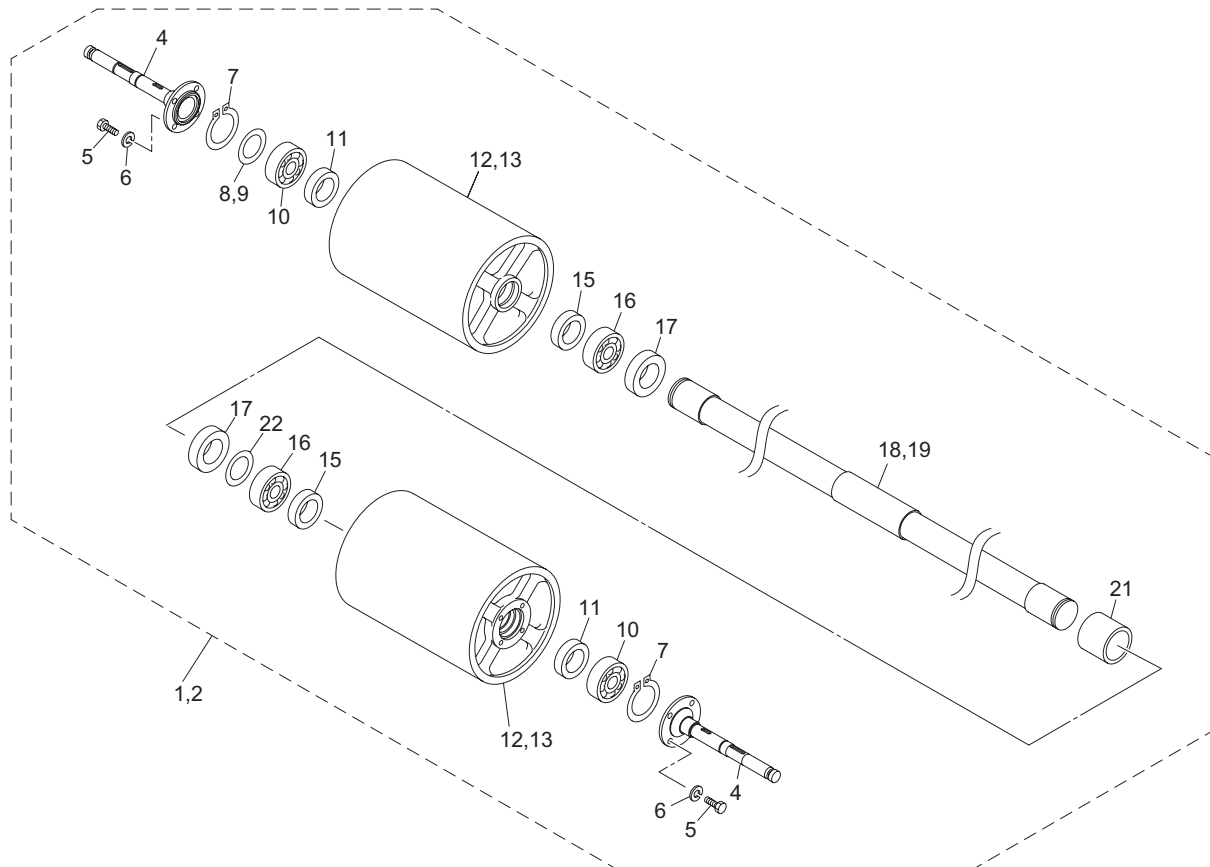


LM56GC_06_z00

| Cat No. | Code No. | Part name | Qty | | Remark | SN of application |
|---------|---------------|--------------------------------|------|------|--------|-------------------|
| | | | LM56 | LM66 | | |
| 6a- 1 | K1030000068 | SPRING, W/U HOOK M1.5-8.5-35.5 | 2 | 2 | | |
| 6 - 2 | K0000080402 | BOLT, M8-40 | 2 | 0 | | 35644-36027 |
| 6 - 2 | K0000080402 | BOLT, M8-40 | 0 | 2 | GC | 35639-35894 |
| 6 - 2 | K0000080402 | BOLT, M8-40 | 0 | 2 | TC | 35118-35226 |
| 6a- 2 | K0000080352 | BOLT, M8-35 | 2 | 0 | | 36028- |
| 6a- 2 | K0000080352 | BOLT, M8-35 | 0 | 2 | GC | 35895- |
| 6a- 2 | K0000080352 | BOLT, M8-35 | 0 | 2 | TC | 35227- |
| 6a- 3 | K0200080002 | WASHER, SPRING M8 | 10 | 10 | | |
| 6a- 4 | LM55GB-0242C2 | PLATE, CLAMPING WHEEL | 2 | 2 | | |
| 6a- 5 | K6082000023 | BOLT, STEPPED M8-10 | 2 | 2 | | |
| 6a- 6 | K0041080352 | SCREW, + FLAT HEAD M8-35 | 2 | 2 | | |
| 6a- 7 | K0000080152 | BOLT, M8-15 | 8 | 8 | | |
| 6a- 8 | K2020000050 | TIRE ASSY, 4.10/3.50-6 | 2 | 2 | | |
| 6 - 9 | LM55GD-0239AD | MOUNT, WHEEL | 2 | 0 | | 35644-36027 |
| 6 - 9 | LM55GD-0239AD | MOUNT, WHEEL | 0 | 2 | GC | 35639-35894 |
| 6 - 9 | LM55GD-0239AD | MOUNT, WHEEL | 0 | 2 | TC | 35118-35226 |
| 6a- 9 | LM55GD-0239BD | MOUNT, WHEEL | 2 | 0 | | 36028- |
| 6a- 9 | LM55GD-0239BD | MOUNT, WHEEL | 0 | 2 | GC | 35895- |
| 6a- 9 | LM55GD-0239BD | MOUNT, WHEEL | 0 | 2 | TC | 35227- |
| 6a- 10 | LM56G--0207Z2 | FITTING, DRIVING WHEEL | 2 | 2 | | |
| 6a- 11 | K001A080251 | BOLT, 13T W/HEX HOLE M8-25 | 2 | 2 | | |
| 6a- 12 | K0200080002 | WASHER, SPRING M8 | 2 | 2 | | |
| 6a- 13 | K0500505280 | KEY, BOTH ROUND M5-528 | 2 | 2 | | |
| 6a- 14 | K0500505160 | KEY, BOTH ROUND M5-516 | 2 | 2 | | |
| 6a- 15 | K2080000040 | WHEEL COMP, 3SP-6 | 2 | 2 | | |
| 6a- 16 | K2091000220 | TUBE, 4.10/3.50-6 | 2 | 2 | | |
| 6a- 17 | K2021000030 | TIRE, 4.10/3.50-6 | 2 | 2 | | |
| 6a- 18 | K0100080002 | NUT, M8 | 6 | 6 | | |

7. Drum wheel section B (Drum)

LM56GC•LM66GC/LM66TC

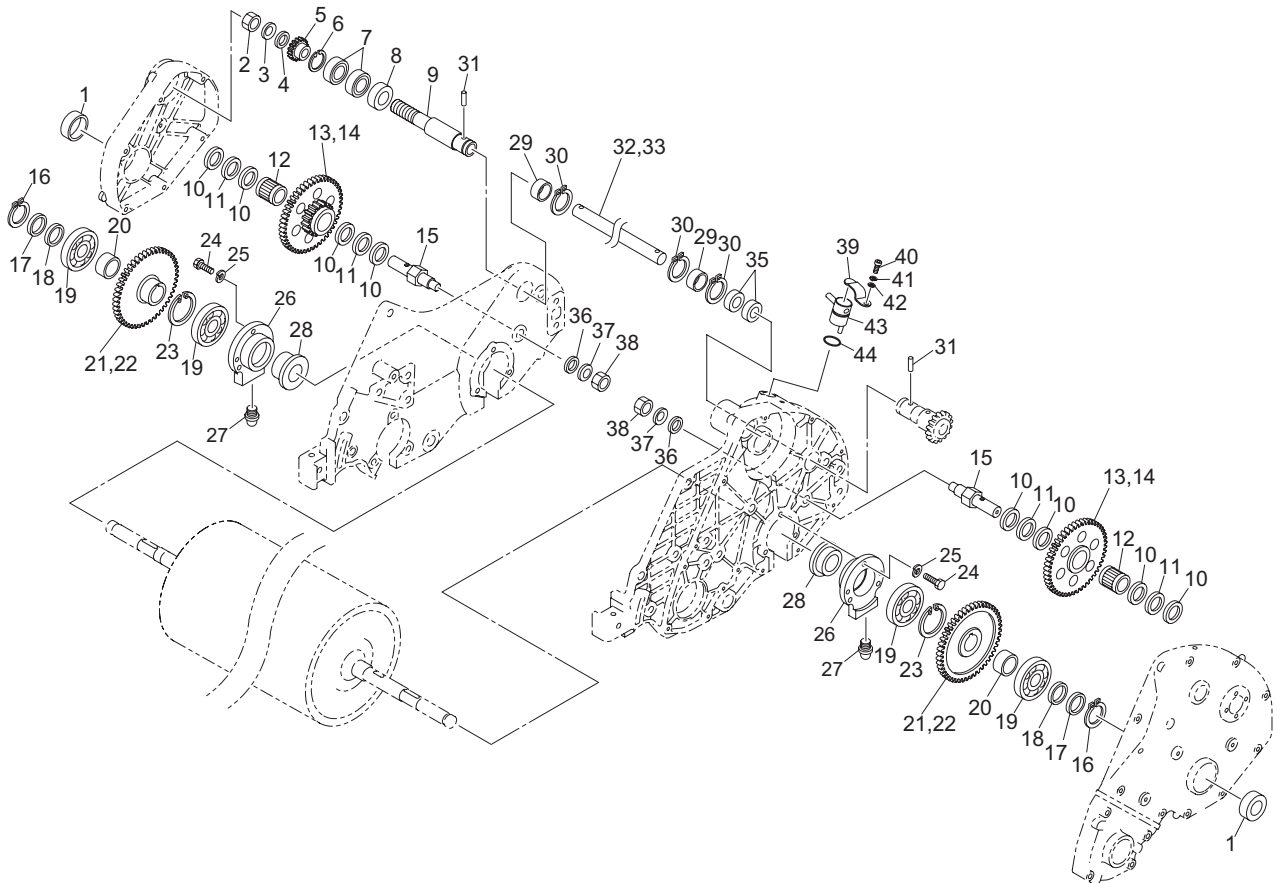


LM56GC_07_a01

| Cat No. | Code No. | Part name | Qty | | Remark | SN of application |
|---------|---------------|-------------------------------|------|------|-----------------------|-------------------|
| | | | LM56 | LM66 | | |
| 7 - 1 | LM56GC-0201Z0 | DRUM & SHAFT ASSY, LM56 | 1 | 0 | Dimple | |
| 7b- 1 | LM56GC-2701Z0 | DRUM & SHAFT ASSY, ND | 1 | 0 | Smooth,Small diameter | |
| 7 - 2 | LM66GC-0201Z0 | DRUM & SHAFT ASSY, LM66 | 0 | 1 | Dimple | |
| 7b- 2 | LM66GB-0201Z0 | DRUM & SHAFT ASSY, ND LM66 | 0 | 1 | Smooth | -35653 |
| 7c- 2 | LM66GC-2701Z0 | DRUM & SHAFT ASSY | 0 | 1 | Smooth,Small diameter | 35654- |
| 7d- 2 | LM66TC-2701Z0 | DRUM & SHAFT ASSY | 0 | 1 | Dimple,Small diameter | |
| 7a- 4 | LM56G--0202Z2 | SHAFT, DRUM (OUTER) | 2 | 2 | | |
| 7a- 5 | K0000080252 | BOLT, M8-25 | 8 | 8 | | |
| 7a- 6 | K0200080002 | WASHER, SPRING M8 | 8 | 8 | | |
| 7a- 7 | K0401020001 | RING, RETAINING S M20 | 2 | 2 | | |
| 7a- 8 | K5010320282 | WASHER, SPCC 0.3-20-28 | 2 | 2 | for adjustment | |
| 7a- 9 | K5011020282 | WASHER, SPCC 1-20-28 | 1 | 1 | for adjustment | |
| 7a- 10 | K0613062040 | BEARING, BALL SEAL 2RDC3 6204 | 2 | 2 | | |
| 7a- 11 | K0812040070 | OIL SEAL, MHS20407 | 2 | 2 | | |
| 7 - 12 | LM56GC-0202Z0 | DRUM, LM56 | 2 | 0 | Dimple | |
| 7b- 12 | LM56GC-2702Z0 | DRUM, ND | 2 | 0 | Smooth,Small diameter | |
| 7 - 13 | LM66GC-0202Z0 | DRUM, LM66 | 0 | 2 | Dimple | |
| 7b- 13 | LM66GB-0202Z0 | DRUM, ND LM66 | 0 | 2 | Smooth | -35653 |
| 7c- 13 | LM66GC-2702Z0 | DRUM, ND | 0 | 2 | Smooth,Small diameter | 35654- |
| 7d- 13 | LM66TC-2702Z0 | DRUM | 0 | 2 | Dimple,Small diameter | |
| 7b- 14 | | | | | | |
| 7a- 15 | K0852540080 | OIL SEAL, PJN25408 | 2 | 2 | | |
| 7a- 16 | K0608060050 | BEARING, BALL SEAL 2RS 6005 | 2 | 2 | | |
| 7a- 17 | K0823047080 | OIL SEAL, MHSA30478 | 2 | 2 | | |
| 7 - 18 | LM56G--0212Z2 | SHAFT, INNER DRUM LM56 | 1 | 0 | | |
| 7 - 19 | LM66G--0212Z2 | SHAFT, INNER DRUM LM66 | 0 | 1 | | |
| 7a- 20 | | | | | | |
| 7a- 21 | K6212002592 | COLLAR, STKM 25.1-30-21.5 | 1 | 1 | | |
| 7a- 22 | K5010525322 | WASHER, SPCC 0.5-25-32 | 2 | 2 | for adjustment | |

9. Drum wheel section D

LM56GC•LM66GC/LM66TC

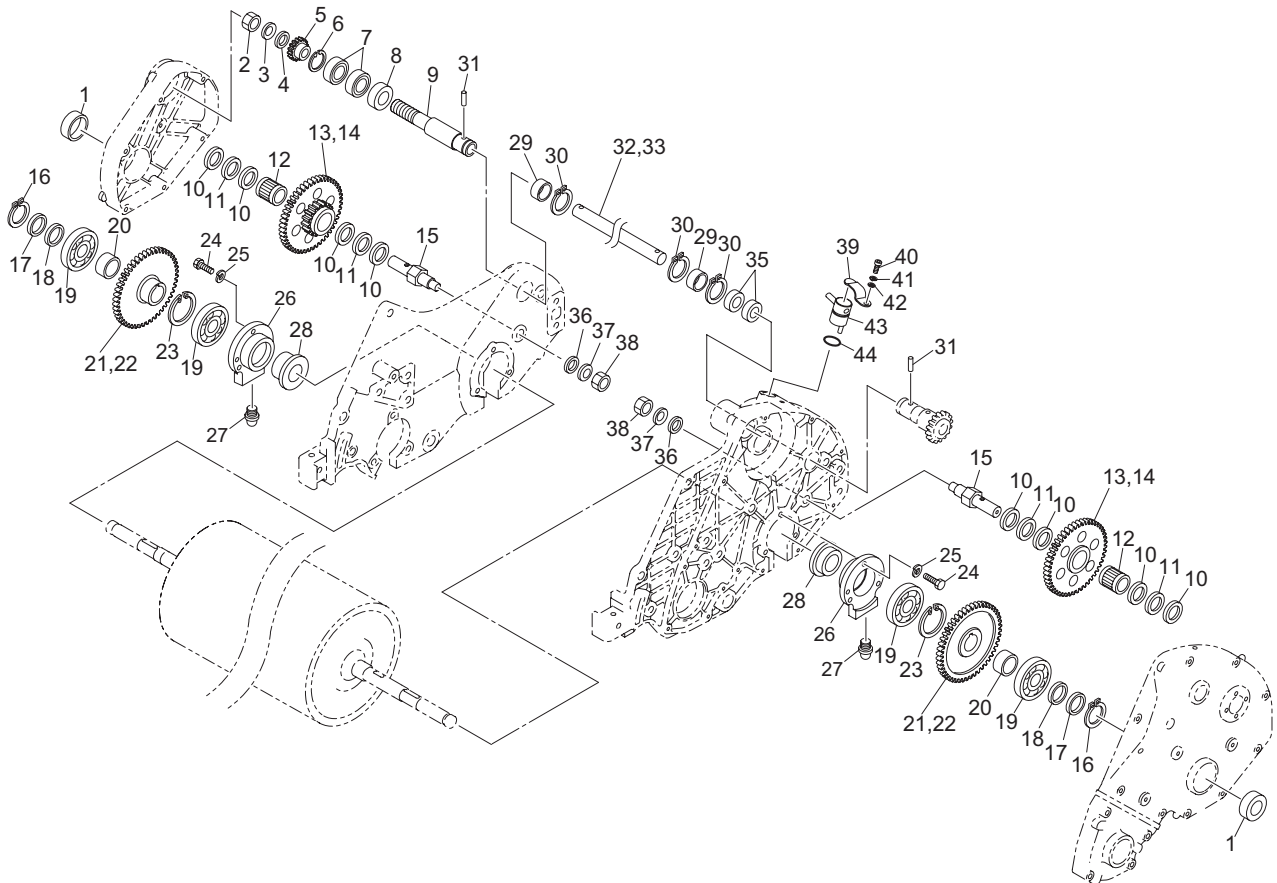


LM56GC_09_a00

| Cat No. | Code No. | Part name | Qty | | Remark | SN of application |
|---------|---------------|-----------------------------------|------|------|-----------|-------------------|
| | | | LM56 | LM66 | | |
| 9a- 1 | K0822047060 | OIL SEAL, MHA20476 | 2 | 2 | | |
| 9a- 2 | K0183140002 | NUT, LEFT-HANDED P1.25 M14 | 1 | 1 | | |
| 9a- 3 | K0210140002 | SPRING, CONICAL DISC L M14 | 1 | 1 | | |
| 9a- 4 | K5000140002 | WASHER, M14 | 1 | 1 | | |
| 9a- 5 | K6188000010 | GEAR, 18-TEETH W/M2 SCREW | 1 | 1 | | |
| 9a- 6 | K0402035001 | RING, RETAINING R M35 | 1 | 1 | | |
| 9a- 7 | K0616062020 | BEARING, BALL SEAL 2NSEC3 6202 | 2 | 2 | | |
| 9a- 8 | K0802030050 | OIL SEAL, MH20305 | 1 | 1 | | |
| 9a- 9 | K6122000188 | SHAFT, THREADED TRANSMISSION (RH) | 1 | 1 | | |
| 9a- 10 | K5051013220 | WASHER, C5191P 1-13-22 | 8 | 8 | | |
| 9a- 11 | K5020813220 | WASHER, NBS55 0.8-13-22 | 4 | 4 | | |
| 9a- 12 | K0711317200 | BEARING, NEEDLE KTW131720E01C3 | 2 | 2 | | |
| 9a- 13 | LM55GB-0219C0 | GEAR, DOUBLE 46-/16-TEETH | 2 | 2 | | |
| 9 - 14 | LM55TB-0219C0 | GEAR, DOUBLE 46-/15-TEETH | 0 | 2 | Tee Mower | |
| 9a- 15 | LM56G--0204Z0 | SHAFT, #4 DRUM SIDE | 2 | 2 | | |
| 9a- 16 | K0401020001 | RING, RETAINING S M20 | 2 | 2 | | |
| 9a- 17 | K5010320282 | WASHER, SPCC 0.3-20-28 | 2 | 2 | | |
| 9a- 18 | K5011020282 | WASHER, SPCC 1-20-28 | 2 | 2 | | |
| 9a- 19 | K0601062040 | BEARING, BALL C3 6204 | 4 | 4 | | |
| 9a- 20 | K6212002610 | COLLAR, STKM 20.2-25.4-11.2 | 2 | 2 | | |
| 9a- 21 | LM55GB-0221C0 | GEAR, 46-TEETH FOR AXLE SHAFT | 2 | 2 | | |
| 9 - 22 | LM55TB-0221C0 | GEAR, 47-TEETH FOR AXLE SHAFT | 0 | 2 | Tee Mower | |
| 9a- 23 | K0402047001 | RING, RETAINING R M47 | 2 | 2 | | |
| 9a- 24 | K0000080302 | BOLT, M8-30 | 6 | 6 | | |
| 9a- 25 | K0200080002 | WASHER, SPRING M8 | 6 | 6 | | |
| 9a- 26 | LM56GA-0615Z0 | HOUSING, DRUM | 2 | 2 | | |
| 9a- 27 | K1440000010 | GREASE NIPPLE, STRAIGHT TYPE A | 2 | 2 | | |
| 9a- 28 | K0830000020 | OIL SEAL, 254210 | 2 | 2 | | |
| 9a- 29 | K6211000312 | COLLAR, SGP 18.2-21.7-15 | 2 | 2 | | |
| 9a- 30 | K0403018001 | RING, RETAINING ROUND S M15 | 3 | 3 | | |

9. Drum wheel section D

LM56GC•LM66GC/LM66TC

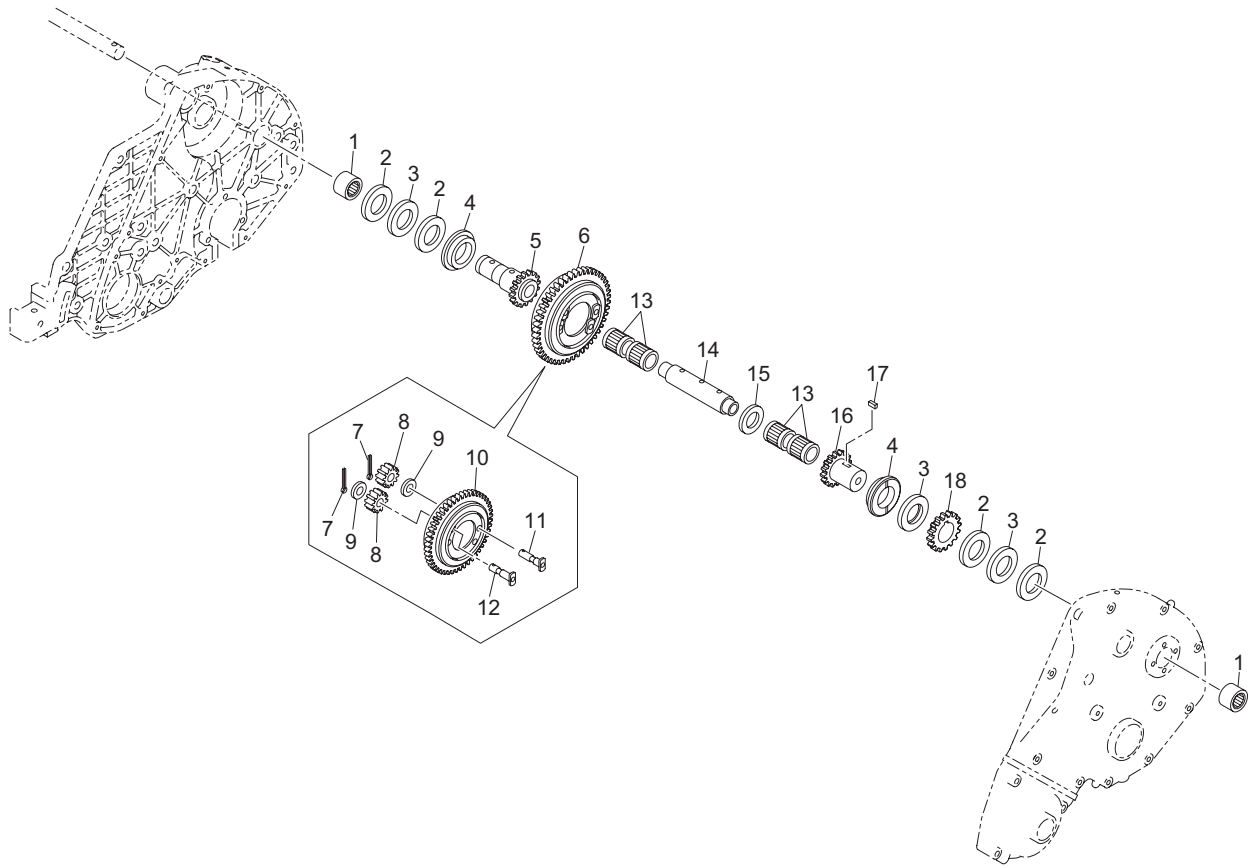


LM56GC_09_a00

| Cat No. | Code No. | Part name | Qty | | Remark | SN of application |
|---------|---------------|-------------------------------|------|------|--------|-------------------|
| | | | LM56 | LM66 | | |
| 9a- 31 | K0311040170 | ROLLER, NEEDLE N4*17.8 FW6-C3 | 2 | 2 | | |
| 9 - 32 | LM56G--0205Z8 | SHAFT, TRANSMISSION | 1 | 0 | | |
| 9 - 33 | LM66G--0205Z8 | SHAFT, TRANSMISSION | 0 | 1 | | |
| 9a- 34 | | | | | | |
| 9a- 35 | K0870182640 | OIL SEAL, OS 18264 | 2 | 2 | | |
| 9a- 36 | K5000100002 | WASHER, M10 | 2 | 2 | | |
| 9a- 37 | K0211100001 | SPRING, CONICAL DISC H M10 | 2 | 2 | | |
| 9a- 38 | K0160000282 | NUT, P1 OH1 M10-3 | 2 | 2 | | |
| 9a- 39 | K1090000058 | SPRING, CLUTCH RETAINER | 1 | 1 | | |
| 9a- 40 | K0000060102 | BOLT, M6-10 | 1 | 1 | | |
| 9a- 41 | K0200060002 | WASHER, SPRING M6 | 1 | 1 | | |
| 9a- 42 | K5000060002 | WASHER, M6 | 1 | 1 | | |
| 9a- 43 | LM56G--0206Z8 | LEVER, CHANGEOVER CLUTCH | 1 | 1 | | |
| 9a- 44 | K0880021000 | O-RING, P21 | 1 | 1 | | |
| | | | | | | |
| | | | | | | |
| | | | | | | |
| | | | | | | |

10. Drum wheel section E

LM56GC•LM66GC/LM66TC

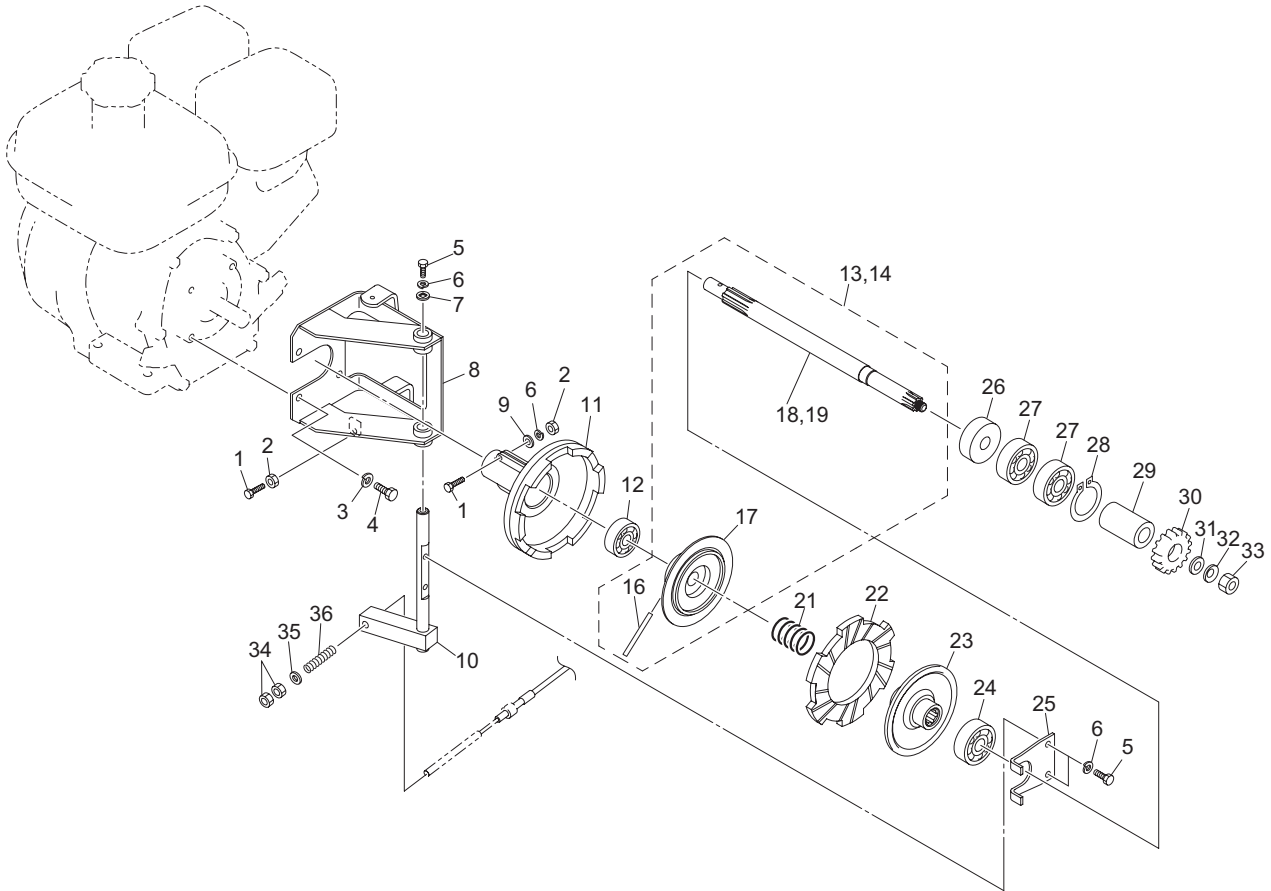


LM56GC_10_z00

| Cat No. | Code No. | Part name | Qty | | Remark | SN of application |
|---------|---------------|------------------------------|------|------|--------|-------------------|
| | | | LM56 | LM66 | | |
| 10a- 1 | K0722210000 | BEARING, NEEDLE TAZ 2210 | 2 | 2 | | |
| 10a- 2 | K5051022300 | WASHER, C5191P 1-22-30 | 4 | 4 | | |
| 10a- 3 | K5020822300 | WASHER, NBS55 0.8-22-30 | 3 | 3 | | |
| 10a- 4 | K6202000140 | RETAINER, DIFF GEAR | 2 | 2 | | |
| 10a- 5 | LM55GB-0210A3 | GEAR, DIFF 16-TEETH (RH) | 1 | 1 | | |
| 10a- 6 | K8000000030 | GEAR ASSY, DEFF 50-TEETH | 1 | 1 | | |
| 10a- 7 | K0300025202 | PIN, COTTER M2.5-20 | 4 | 4 | | |
| 10a- 8 | K6191000040 | GEAR, DIFF PINION 12-TEETH | 4 | 4 | | |
| 10a- 9 | K6211000180 | COLLAR, SGP M7-10.5-7 | 4 | 4 | | |
| 10a- 10 | K7001000020 | GEAR, DIFF 50-TEETH | 1 | 1 | | |
| 10a- 11 | K6033000060 | PIN, HT FOR DIFF GEAR M7.5 | 2 | 2 | | |
| 10a- 12 | K6033000070 | PIN, HT FOR DIFF GEAR M15 | 2 | 2 | | |
| 10a- 13 | K0701013100 | BEARING, NEEDLE KT101310EGB2 | 4 | 4 | | |
| 10a- 14 | K6150000150 | PIN, FOR DIFF GEAR M10-55 | 1 | 1 | | |
| 10a- 15 | K5051010220 | WASHER, C5191P 1-10-22 | 1 | 1 | | |
| 10a- 16 | LM55GB-0209C0 | GEAR, DIFF 16-TEETH (LH) | 1 | 1 | | |
| 10a- 17 | K0520504060 | KEY, ROUND/SQUARE, M5-46.3 | 1 | 1 | | |
| 10a- 18 | LM55GB-0214A0 | GEAR, 18-TEETH (LH) | 1 | 1 | | |
| | | | | | | |
| | | | | | | |

11. Clutch section A

LM56GC•LM66GC/LM66TC

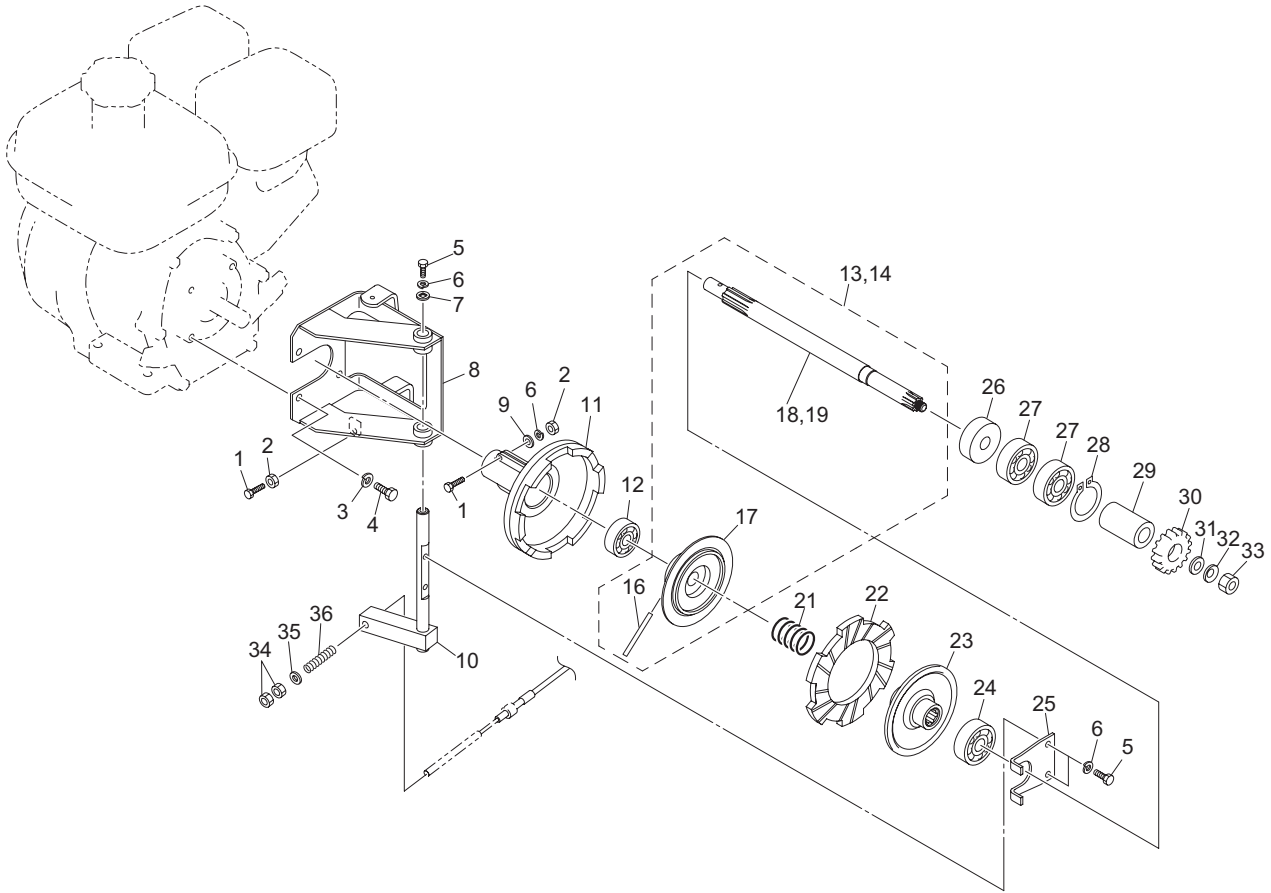


LM56GC_11_b00

| Cat No. | Code No. | Part name | Qty | | Remark | SN of application |
|---------|---------------|--------------------------------|------|------|--------|-------------------|
| | | | LM56 | LM66 | | |
| 11a- 1 | K0000060302 | BOLT, M6-30 | 2 | 2 | | |
| 11a- 2 | K0100060002 | NUT, M6 | 2 | 2 | | |
| 11a- 3 | K0200080002 | WASHER, SPRING M8 | 4 | 4 | | |
| 11a- 4 | K0000080152 | BOLT, M8-15 | 4 | 4 | | |
| 11a- 5 | K0000060152 | BOLT, M6-15 | 3 | 3 | | |
| 11a- 6 | K0200060002 | WASHER, SPRING M6 | 4 | 4 | | |
| 11a- 7 | K5012306202 | WASHER, SPCC 2.3-6-20 | 1 | 1 | | |
| 11b- 8 | LM56G--2201ZD | BOX, CLUTCH S | 1 | 1 | | |
| 11a- 9 | K5000060002 | WASHER, M6 | 1 | 1 | | |
| 11b- 10 | LM56G--2202Z2 | LEVER, CLUTCH S | 1 | 1 | | |
| 11a- 11 | K6911000050 | CLUTCH, ENGINE | 1 | 1 | | |
| 11a- 12 | K0616062020 | BEARING, BALL SEAL 2NSEC3 6202 | 1 | 1 | | |
| 11 - 13 | LM56G--0305Z0 | SHAFT ASSY, CLUTCH 56 | 1 | 0 | | |
| 11 - 14 | LM66G--0305Z0 | SHAFT ASSY, CLUTCH 66 | 0 | 1 | | |
| 11a- 15 | | | | | | |
| 11a- 16 | K0310050402 | PIN, TAPERED M5-40 | 1 | 1 | | |
| 11a- 17 | K6911000043 | HOLDER, CLUTCH FADING 15 | 1 | 1 | | |
| 11 - 18 | LM56G--0308Z2 | SHAFT, CLUTCH 56 | 1 | 0 | | |
| 11 - 19 | LM66G--0308Z2 | SHAFT, CLUTCH | 0 | 1 | | |
| 11a- 20 | | | | | | |
| 11a- 21 | K1000000160 | SPRING, COMPRESSION M3.5-34-15 | 1 | 1 | | |
| 11a- 22 | K1810000030 | LINING, CLUTCH FADING | 1 | 1 | | |
| 11a- 23 | K6911000092 | PLATE, CLUTCH | 1 | 1 | | |
| 11a- 24 | K0659000020 | BEARING, RELEASE RCT 2850 | 1 | 1 | | |
| 11b- 25 | LM56G--2203Z2 | PLATE, RETAINING S | 1 | 1 | | |
| 11a- 26 | K0811930070 | OIL SEAL, MHS19307 | 1 | 1 | | |
| 11a- 27 | K0616062030 | BEARING, BALL SEAL 2NSEC3 6203 | 2 | 2 | | |
| 11a- 28 | K0402040001 | RING, RETAINING R M40 | 1 | 1 | | |
| 11a- 29 | K6212002600 | COLLAR, STKM 17.1-22-37.3 | 1 | 1 | | |
| 11a- 30 | K6180000140 | GEAR, SPLINED 16-TEETH | 1 | 1 | | |

11. Clutch section A

LM56GC•LM66GC/LM66TC

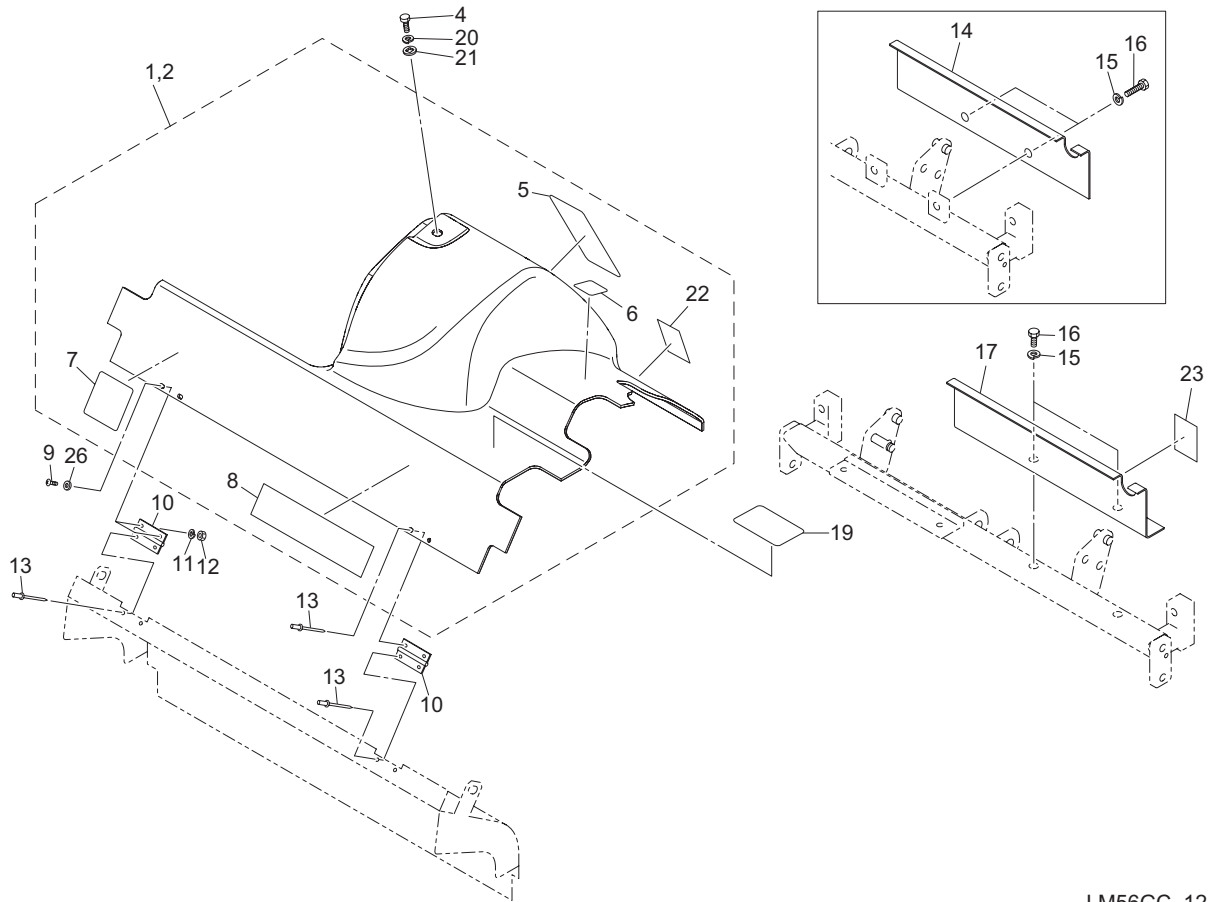


LM56GC_11_b00

| Cat No. | Code No. | Part name | Qty | | Remark | SN of application |
|---------|-------------|----------------------------------|------|------|--------|-------------------|
| | | | LM56 | LM66 | | |
| 11a- 31 | K5000100002 | WASHER, M10 | 1 | 1 | | |
| 11a- 32 | K0213100002 | WASHER, DISK SPRING 1H M10 | 1 | 1 | | |
| 11a- 33 | K0160000282 | NUT, P1 OH1 M10-3 | 1 | 1 | | |
| 11b- 34 | K0100080002 | NUT, M8 | 2 | 2 | | |
| 11b- 35 | K5000080002 | WASHER, M8 | 1 | 1 | | |
| 11b- 36 | K100000082D | SPRING, COMPRESSION M2.6-17.2-70 | 1 | 1 | | |
| | | | | | | |
| | | | | | | |
| | | | | | | |
| | | | | | | |
| | | | | | | |

12. Clutch section B

LM56GC•LM66GC/LM66TC

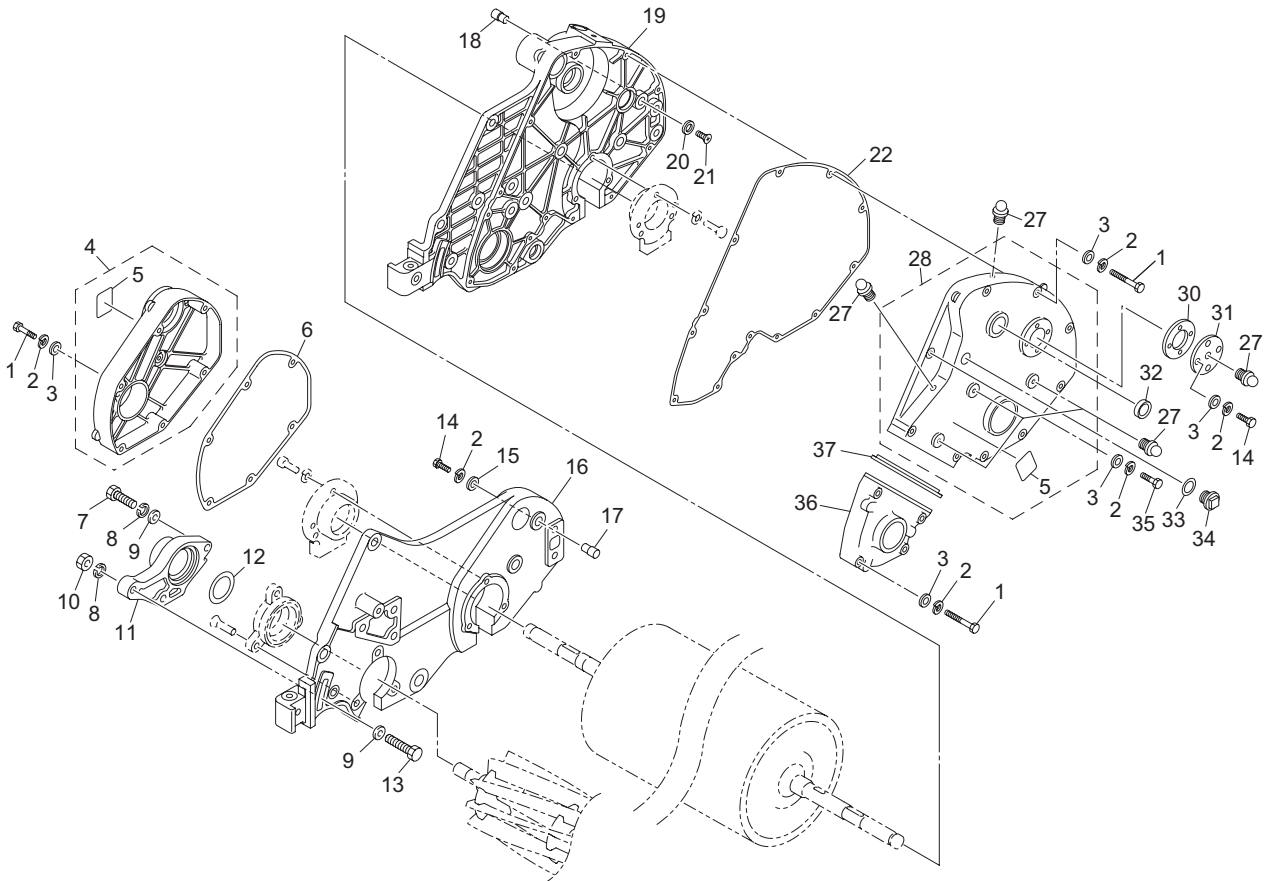


LM56GC_12_b01

| Cat No. | Code No. | Part name | Qty | | Remark | SN of application |
|---------|---------------|-----------------------------------|------|------|--------|-------------------|
| | | | LM56 | LM66 | | |
| 12a- 1 | LM56GC-2201A0 | COVER, CLUTCH W/MARK A | 1 | 0 | | |
| 12a- 2 | LM66GC-2201A0 | COVER, CLUTCH W/MARK A | 0 | 1 | | |
| 12b- 3 | | | | | | |
| 12b- 4 | K0000060152 | BOLT, M6-15 | 1 | 1 | | |
| 12a- 5 | K4205001590 | DECAL, CAUTION SAFETY INSTRUCTION | 1 | 1 | | |
| 12b- 6 | K4203001110 | DECAL, CLUTCH | 1 | 1 | | |
| 12a- 7 | K4205001600 | DECAL, CAUTION CUTTING HANDS/FEET | 1 | 1 | | |
| 12a- 8 | K4201000670 | STICKER, BARONESS 130 | 1 | 1 | | |
| 12a- 9 | K0042040152 | SCREW, + ROUND HEAD M4-15 | 2 | 2 | | |
| 12a- 10 | K4520000120 | HINGE, W/HOLE 4.2-4035 | 2 | 2 | | |
| 12a- 11 | K0200040002 | WASHER, SPRING M4 | 2 | 2 | | |
| 12a- 12 | K0144040002 | NUT, W/F-RING, M4 | 2 | 2 | | |
| 12a- 13 | K4510615120 | RIVET, BLIND AVEX 1661-0512 | 6 | 6 | | |
| 12 - 14 | LM66G--0311AR | RECEIVER, CLUTCH COVER | 0 | 1 | | |
| 12a- 15 | K0200080002 | WASHER, SPRING M8 | 2 | 2 | | |
| 12a- 16 | K0000080152 | BOLT, M8-15 | 2 | 2 | | |
| 12 - 17 | LM56G--0307AR | RECEIVER, CLUTCH COVER | 1 | 0 | | |
| 12a- 18 | | | | | | |
| 12b- 19 | K4203001320 | DECAL, HIGH / LOW SELECTOR | 1 | 1 | | |
| 12b- 20 | K0200060002 | WASHER, SPRING M6 | 1 | 1 | | |
| 12b- 21 | K5012306202 | WASHER, SPCC 2.3-6-20 | 1 | 1 | | |
| 12b- 22 | K4205001330 | DECAL, CAUTION NOISE | 1 | 1 | | |
| 12a- 23 | K4209000880 | LABEL, NOISE LEVEL LWA 98 | 1 | 1 | | |
| 12 - 24 | | | | | | |
| 12 - 25 | | | | | | |
| 12a- 26 | K5000040002 | WASHER, M4 | 2 | 2 | | |

13. Frame section

LM56GC•LM66GC/LM66TC

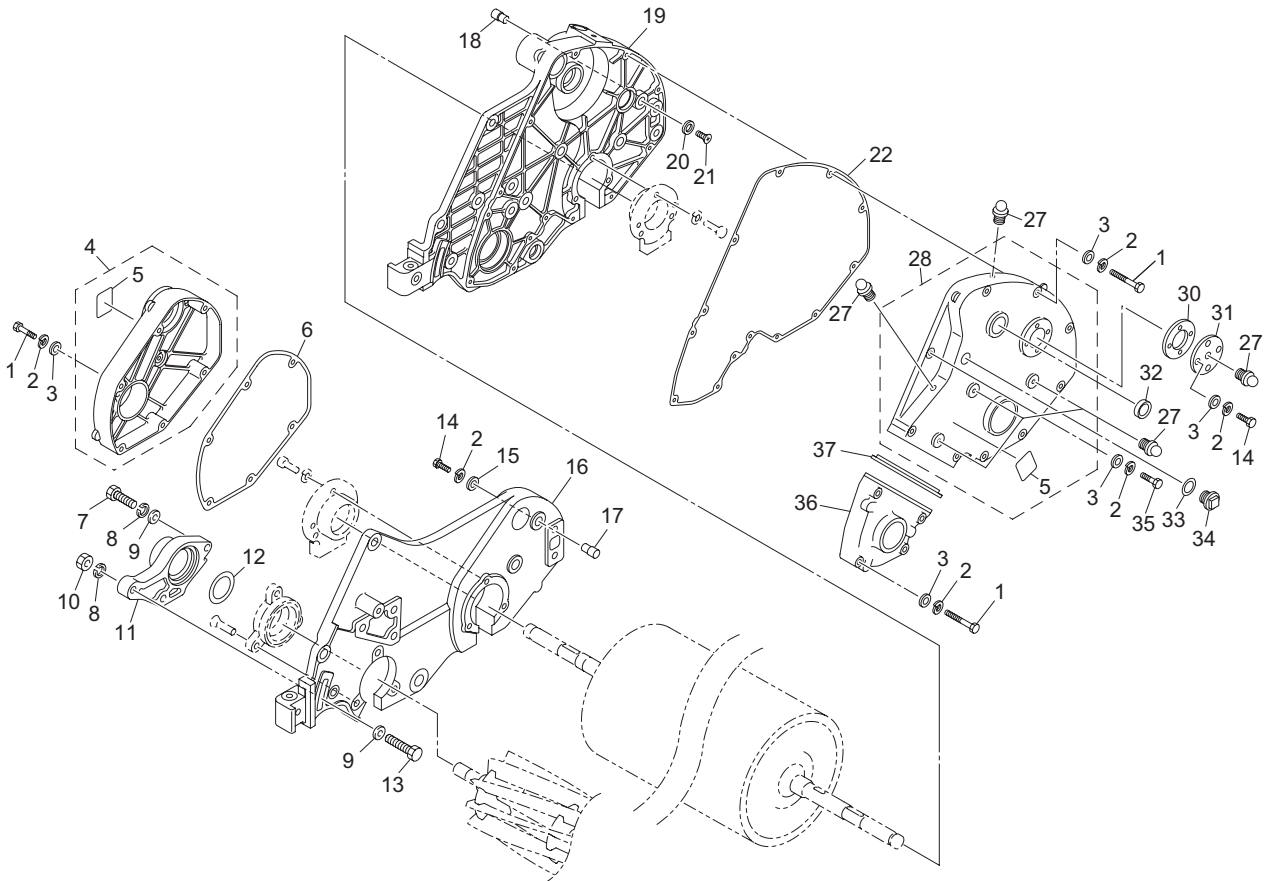


LM56GC_13_a00

| Cat No. | Code No. | Part name | Qty | | Remark | SN of application |
|---------|---------------|--------------------------------|------|------|--------|-------------------|
| | | | LM56 | LM66 | | |
| 13a- 1 | K0000060452 | BOLT, M6-45 | 18 | 18 | | |
| 13a- 2 | K0200060002 | WASHER, SPRING M6 | 23 | 23 | | |
| 13a- 3 | K5000060002 | WASHER, M6 | 23 | 23 | | |
| 13a- 4 | LM56G--0613Z0 | COVER, (RH) W/STICKER | 1 | 1 | | |
| 13a- 5 | K4209000370 | LABEL, GREASING EACH 10-HOURS | 2 | 2 | | |
| 13a- 6 | LM56G--7702A0 | PACKING, (RH) | 1 | 1 | | |
| 13a- 7 | K0000080252 | BOLT, M8-25 | 1 | 1 | | |
| 13a- 8 | K0200080002 | WASHER, SPRING M8 | 2 | 2 | | |
| 13a- 9 | K5000080002 | WASHER, M8 | 2 | 2 | | |
| 13a- 10 | K0100080002 | NUT, M8 | 1 | 1 | | |
| 13a- 11 | K690200005D | COVER, REEL SHAFT | 1 | 1 | | |
| 13a- 12 | K0882045000 | O-RING, G45 | 1 | 1 | | |
| 13a- 13 | K0000080502 | BOLT, M8-50 | 1 | 1 | | |
| 13a- 14 | K0000060152 | BOLT, M6-15 | 5 | 5 | | |
| 13a- 15 | K5012306202 | WASHER, SPCC 2.3-6-20 | 1 | 1 | | |
| 13a- 16 | LM56G--0602BR | FRAME, (RH) | 1 | 1 | | |
| 13a- 17 | K6155000042 | PIN, MOUNTING HANDLE (RH) | 1 | 1 | | |
| 13a- 18 | K6155000152 | PIN, MOUNTING HANDLE (LH) | 1 | 1 | | |
| 13a- 19 | LM56G--0601CR | FRAME, (LH) | 1 | 1 | | |
| 13a- 20 | LM55GB-0614Z3 | WASHER, HANDLE PIN | 1 | 1 | | |
| 13a- 21 | K0041060122 | SCREW, + FLAT HEAD M6-12 | 1 | 1 | | |
| 13a- 22 | LM56G--7701B0 | PACKING, (LH) | 1 | 1 | | |
| 13a- 23 | | | | | | |
| 13a- 24 | | | | | | |
| 13a- 25 | | | | | | |
| 13a- 26 | | | | | | |
| 13a- 27 | K1440000010 | GREASE NIPPLE, STRAIGHT TYPE A | 6 | 6 | | |
| 13a- 28 | LM56G--0612A0 | COVER, LARGE (LH) W/STICKER | 1 | 1 | | |
| 13a- 29 | | | | | | |
| 13a- 30 | LM55GB-0208Z0 | PACKING, #3 SHAFT | 1 | 1 | | |

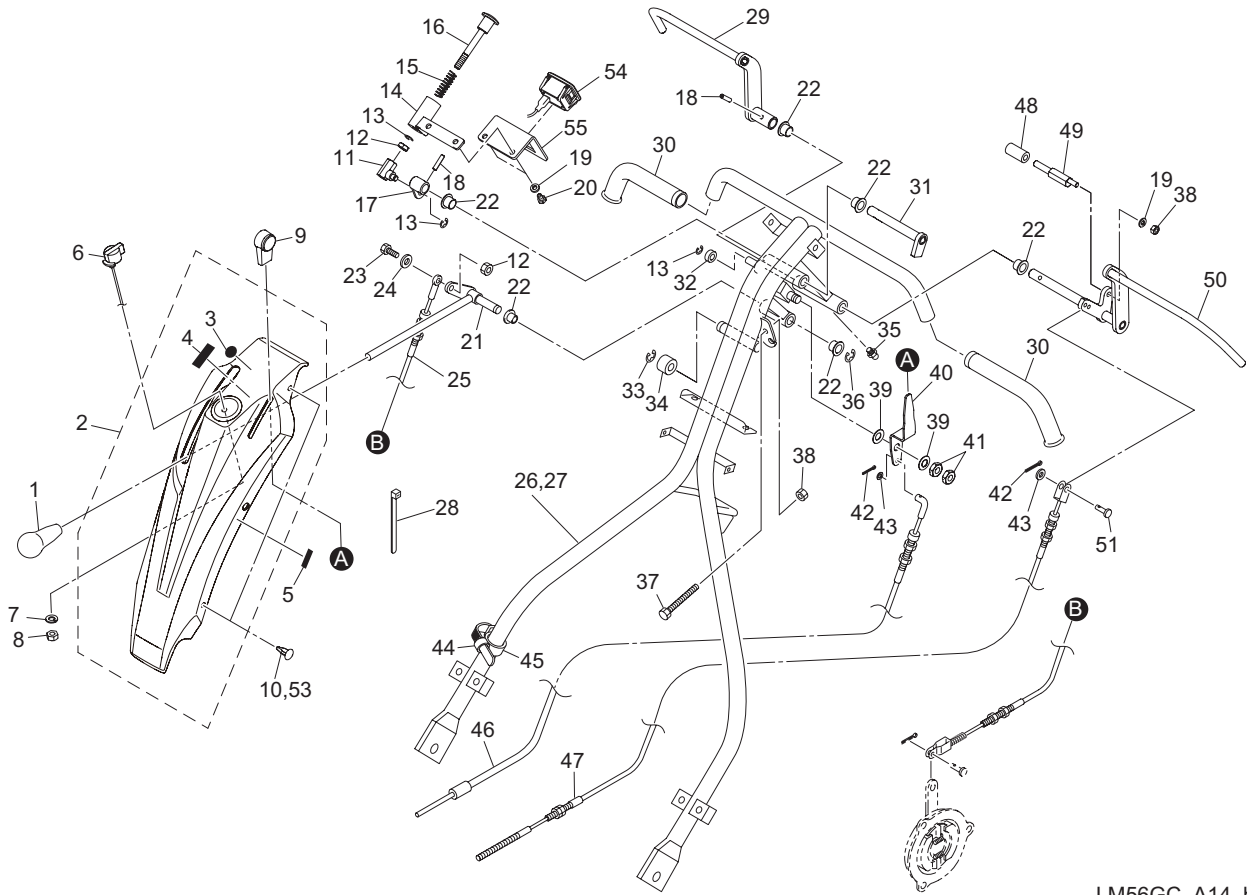
13. Frame section

LM56GC•LM66GC/LM66TC



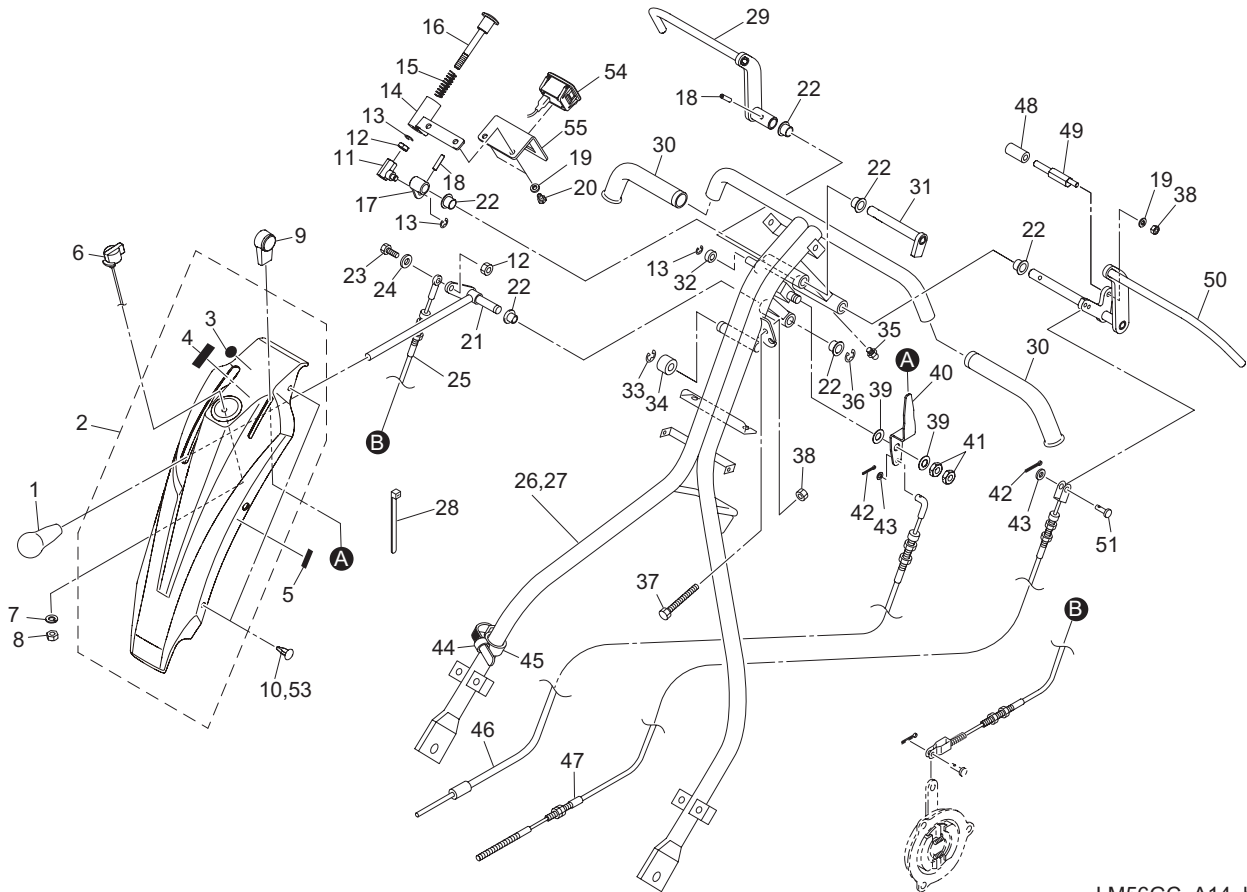
LM56GC_13_a00

| Cat No. | Code No. | Part name | Qty | | Remark | SN of application |
|---------|---------------|-----------------------------|------|------|--------|-------------------|
| | | | LM56 | LM66 | | |
| 13a- 31 | LM55GB-0217Z0 | RETAINER, BEARING | 1 | 1 | | |
| 13a- 32 | K0890000030 | CAP, RUBBER 25 | 1 | 1 | | |
| 13a- 33 | K4010217250 | PACKING, OIL-SHEET 2-17.525 | 1 | 1 | | |
| 13a- 34 | K1400000010-Y | GAUGE, OIL 18 | 1 | 1 | | |
| 13a- 35 | K0000060252 | BOLT, M6-25 | 1 | 1 | | |
| 13a- 36 | LM56G--0604AR | COVER, SMALL (LH) | 1 | 1 | | |
| 13a- 37 | LM56G--0611Z0 | PACKING, JOINT | 1 | 1 | | |
| | | | | | | |
| | | | | | | |
| | | | | | | |
| | | | | | | |
| | | | | | | |



LM56GC_A14_b02

| Cat No. | Code No. | Part name | Qty | | Remark | SN of application |
|----------|---------------|------------------------------|------|------|-------------|-------------------|
| | | | LM56 | LM66 | | |
| A14a- 1 | K1300000050 | GRIP, PLASTIC RED 9-35.5 | 1 | 1 | | |
| A14a- 2 | LM101--2706Z0 | COVER, HANDLE U W/MARK | 1 | 1 | | |
| A14a- 3 | K4209001200 | DECAL, BRAKE | 1 | 1 | | |
| A14a- 4 | K4203000700 | DECAL, ACCELERATOR | 1 | 1 | | |
| A14a- 5 | K4203001610 | DECAL, LIGHT SWITCH | 1 | 1 | | |
| A14a- 6 | K3662000050 | SWITCH, TOGGLE FOR ENGINE | 1 | 1 | | |
| A14a- 7 | K0200080002 | WASHER, SPRING M8 | 1 | 1 | | |
| A14a- 8 | K0100080002 | NUT, M8 | 1 | 1 | | |
| A14a- 9 | K1320000150 | KNOB, W/PLUG | 1 | 1 | | |
| A14a- 10 | K4021000030 | CLIP, ANCHOR | 4 | 4 | frange 14mm | |
| A14a- 11 | LM56GB-2608Z2 | NUT, HIGH, W/SHAFT | 1 | 1 | | |
| A14a- 12 | K0102080002 | NUT, M8-3 | 2 | 2 | | |
| A14a- 13 | K0400006002 | RING, RETAINING E M6 | 3 | 3 | | |
| A14a- 14 | LM56GB-2606Z2 | MOUNT, SWITCH | 1 | 1 | | |
| A14a- 15 | K1000000938 | SPRING, COMPRESSION M1-12-40 | 1 | 1 | | |
| A14a- 16 | LM56GB-2607Z2 | SWITCH, RELEASING LOCK | 1 | 1 | | |
| A14a- 17 | LM56GB-2605Z2 | METAL, CONNECTING | 1 | 1 | | |
| A14a- 18 | K0320050221 | PIN, SPRING M5-22 | 2 | 2 | | |
| A14a- 19 | K0200060002 | WASHER, SPRING M6 | 3 | 3 | | |
| A14a- 20 | K0000060152 | BOLT, M6-15 | 2 | 2 | | |
| A14a- 21 | LM56GB-2602Z2 | LEVER, BRAKE | 1 | 1 | | |
| A14a- 22 | K6010000170 | BUSH, FLANGED 12-14-10 | 6 | 6 | | |
| A14a- 23 | K0000080202 | BOLT, M8-20 | 1 | 1 | | |
| A14a- 24 | K5000080002 | WASHER, M8 | 1 | 1 | | |
| A14a- 25 | K1120116010 | WIRE, BRAKE 1160 | 1 | 1 | | |
| A14a- 26 | LM56GB-2601AD | HANDLE, U LM56 | 1 | 0 | | |
| A14a- 27 | LM66GB-2601AD | HANDLE, U LM66 | 0 | 1 | | |
| A14a- 28 | K4241000040 | BAND, PLASTIC TRCV-200W | 1 | 1 | | |
| A14a- 29 | LM56GB-2611AD | LEVER, CLUTCH (RH) | 1 | 1 | | |
| A14a- 30 | K1300000250 | GRIP, PLASTIC BLACK 22-256 | 2 | 2 | | |

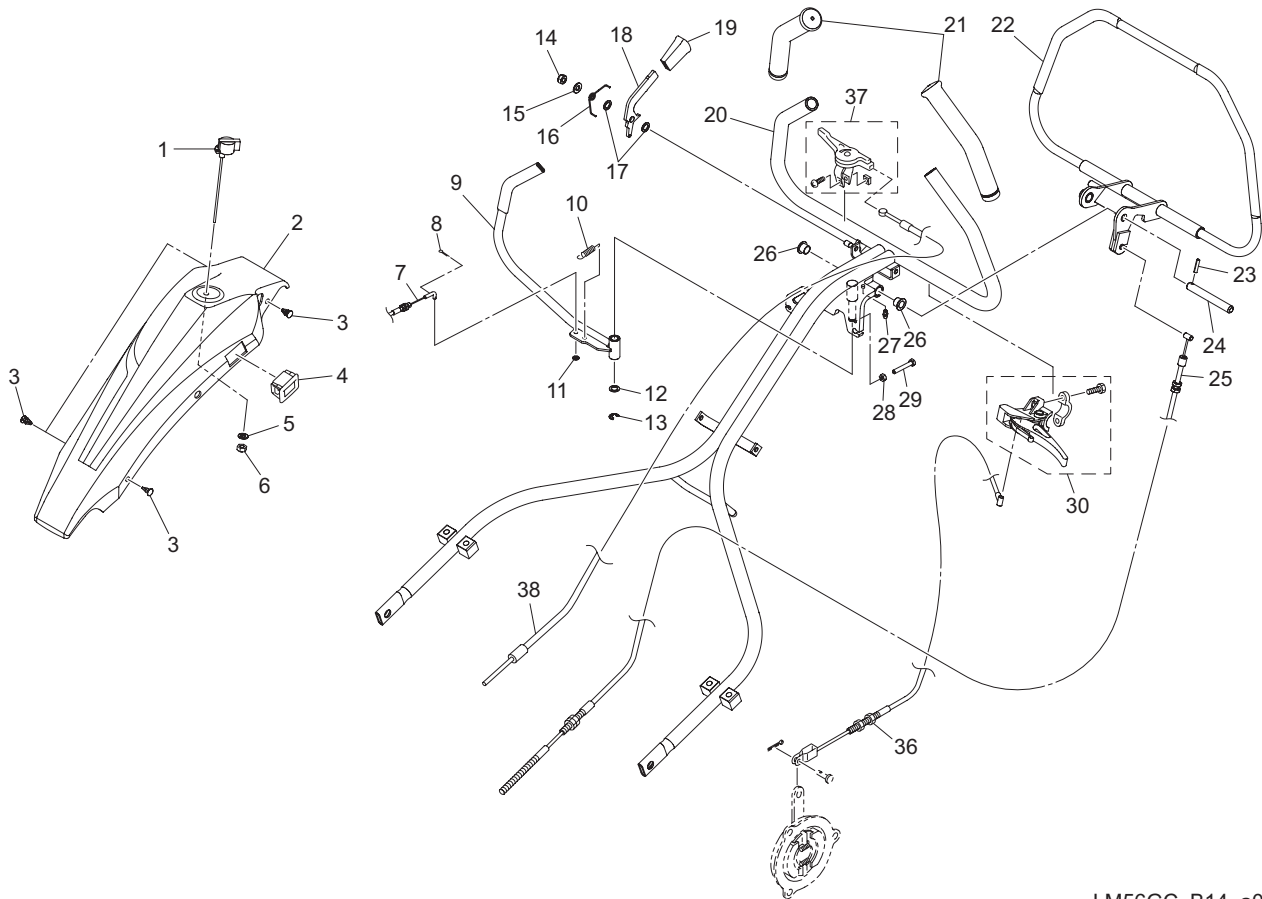


LM56GC_A14_b02

| Cat No. | Code No. | Part name | Qty | | Remark | SN of application |
|----------|---------------|----------------------------|------|------|-------------|-------------------|
| | | | LM56 | LM66 | | |
| A14a- 31 | LM56GB-2604A2 | STOPPER | 1 | 1 | | |
| A14a- 32 | K4031000290 | RUBBER, 7.5-15-5.5 | 1 | 1 | | |
| A14a- 33 | K0400008002 | RING, RETAINING E M8 | 1 | 1 | | |
| A14a- 34 | K4031000100 | STOPPER, RUBBER | 1 | 1 | | |
| A14a- 35 | K1440000070 | GREASE NIPPLE | 3 | 3 | | |
| A14a- 36 | K0400009002 | RING, RETAINING E M9 | 1 | 1 | | |
| A14a- 37 | K0000060502 | BOLT, M6-50 | 1 | 1 | | |
| A14a- 38 | K0100060002 | NUT, M6 | 2 | 2 | | |
| A14a- 39 | K0210100002 | SPRING, CONICAL DISC L M10 | 2 | 2 | | |
| A14a- 40 | LM56GB-2603Z2 | LEVER, THROTTLE | 1 | 1 | | |
| A14a- 41 | K0102100002 | NUT, M10-3 | 2 | 2 | | |
| A14a- 42 | K0300020122 | PIN, COTTER M2-12 | 2 | 2 | | |
| A14a- 43 | K5000050002 | WASHER, M5 | 2 | 2 | | |
| A14a- 44 | K4241000070 | TUBE, URETHANE 7 | 3 | 3 | | |
| A14a- 45 | K4241000010 | BAND, NYLON 140 | 3 | 3 | | |
| A14a- 46 | K1110100010 | WIRE, THROTTLE 1000 | 1 | 1 | | |
| A14a- 47 | K1130116000 | WIRE, CLUTCH 1160 | 1 | 1 | | |
| A14a- 48 | K3180000400 | RUBBER, STOPPER | 1 | 1 | | |
| A14a- 49 | LM56GB-2609Z2 | SHAFT, STOPPER | 1 | 1 | | |
| A14a- 50 | LM56GB-2610AD | LEVER, CLUTCH (LH) | 1 | 1 | | |
| A14a- 51 | K6030050152 | PIN, FLAT HEAD M5-15 | 1 | 1 | | |
| A14a- 52 | | | | | | |
| A14a- 53 | K4021000010 | CLIP, ANCHOR 7.5 | 4 | 4 | frange 12mm | |
| A14 - 54 | K3650000090 | HOUR METER | 1 | 0 | option | |
| A14a- 54 | K3650000090 | HOUR METER | 0 | 1 | option | |
| A14b- 54 | K3650000090 | HOUR METER | 0 | 1 | option | |
| A14 - 55 | LM101--2703ZD | BRACKET, HOURMETER | 1 | 0 | option | |
| A14a- 55 | LM101--2703ZD | BRACKET, HOURMETER | 0 | 1 | option | |
| A14b- 55 | LM101--2703ZD | BRACKET, HOURMETER | 0 | 1 | option | |

B14. Handle & Engine section C

LM56GC•LM66GC/LM66TC

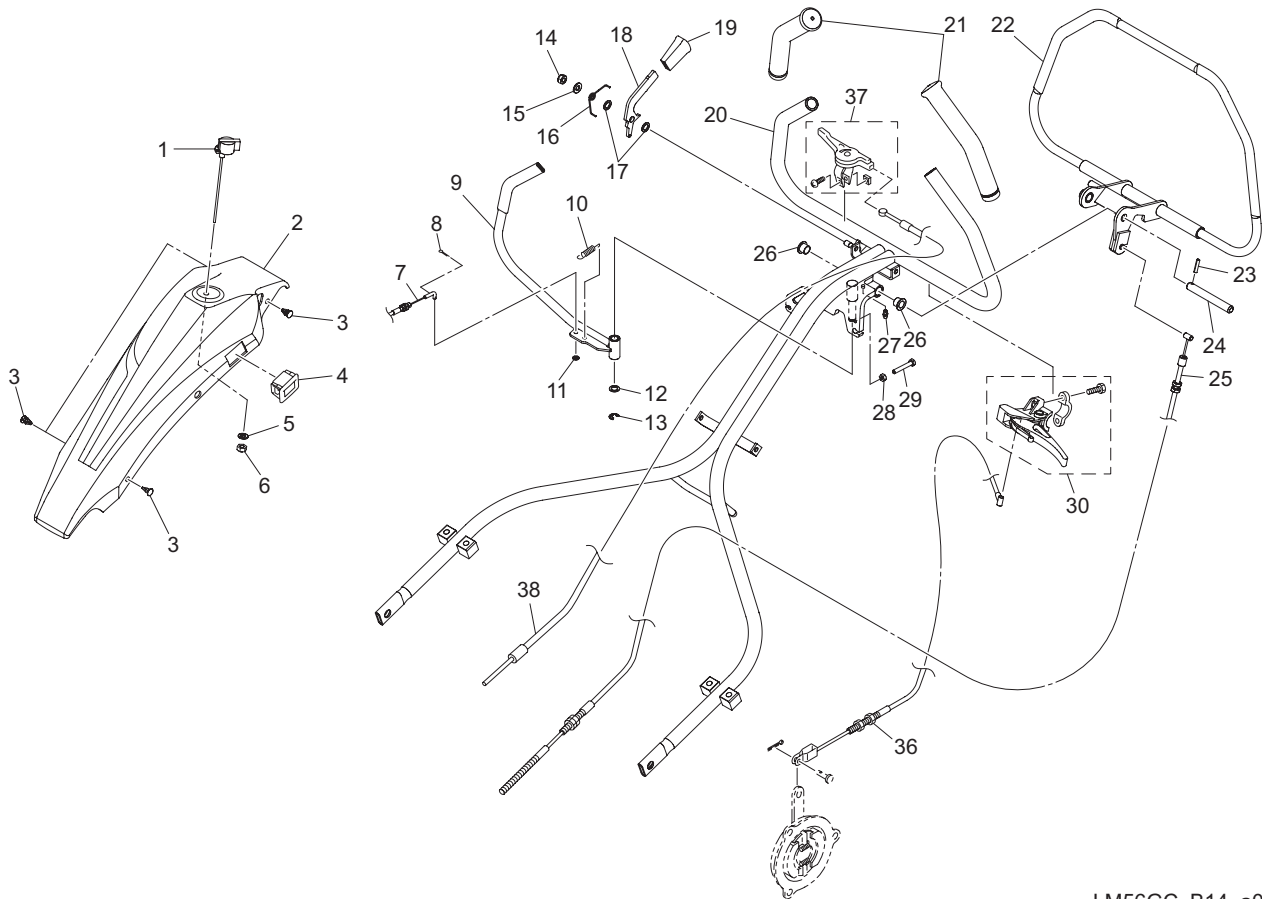


LM56GC_B14_a02

| Cat No. | Code No. | Part name | Qty | | Remark | SN of application |
|----------|---------------|----------------------------|------|------|--------|-------------------|
| | | | LM56 | LM66 | | |
| B14a- 1 | K3662000050 | SWITCH, TOGGLE FOR ENGINE | 1 | 1 | | |
| B14a- 2 | LM56GC-3109A0 | COVER, HANDLE A | 1 | 1 | | |
| B14a- 3 | K4021000010 | CLIP, ANCHOR 7.5 | 4 | 4 | | |
| B14a- 4 | K3650000090 | HOUR METER | 1 | 1 | | |
| B14a- 5 | K0200080002 | WASHER, SPRING M8 | 1 | 1 | | |
| B14a- 6 | K0100080002 | NUT, M8 | 1 | 1 | | |
| B14a- 7 | K1110090010 | WIRE, THROTTLE 900 | 1 | 1 | | |
| B14a- 8 | K0300016122 | PIN, COTTER M1.6-12 | 1 | 1 | | |
| B14a- 9 | LM56GC-3106ZD | LEVER, THROTTLE L | 1 | 1 | | |
| B14a- 10 | K1040000068 | SPRING, W/HOOK M1-10-52 | 1 | 1 | | |
| B14a- 11 | K5000050002 | WASHER, M5 | 1 | 1 | | |
| B14a- 12 | K5011011182 | WASHER, SPCC 1-11-18 | 1 | 1 | | |
| B14a- 13 | K0400008002 | RING, RETAINING E M8 | 1 | 1 | | |
| B14a- 14 | K0144080002 | NUT, W/F-RING M8 | 1 | 1 | | |
| B14a- 15 | K5000080002 | WASHER, M8 | 1 | 1 | | |
| B14 - 16 | K1050000258 | SPRING, TORSION M1.8-11.6 | 1 | 0 | | |
| B14a- 16 | K1050000258 | SPRING, TORSION M1.8-11.6 | 0 | 1 | | |
| B14a- 17 | K5051010160 | WASHER, C5191P 1-10-16 | 2 | 2 | | |
| B14 - 18 | LM56GC-3107Z2 | LEVER, LOCKING CLUTCH | 1 | 1 | | |
| B14a- 18 | | | | | | |
| B14a- 19 | K1301000130 | GRIP, PLASTIC SQUARE | 1 | 1 | | |
| B14 - 20 | LM56GC-3102AD | HANDLE, A 56 | 1 | 0 | | |
| B14a- 20 | LM66GC-3102AD | HANDLE, A 66 | 0 | 1 | | |
| B14a- 21 | K1300000250 | GRIP, PLASTIC BLACK 22-256 | 2 | 2 | | |
| B14a- 22 | LM56GC-3105ZD | LEVER, CLUTCH | 1 | 1 | | |
| B14a- 23 | K0320050221 | PIN, SPRING M5-22 | 1 | 1 | | |
| B14a- 24 | LM56GC-3108Z2 | SHAFT, W/HOLE 5 | 1 | 1 | | |
| B14a- 25 | K1130120000 | WIRE, CLUTCH 1200 | 1 | 1 | | |
| B14a- 26 | K6010000170 | BUSH, FLANGED 12-14-10 | 2 | 2 | | |
| B14a- 27 | K1440000070 | GREASE NIPPLE | 1 | 1 | | |

B14. Handle & Engine section C

LM56GC•LM66GC/LM66TC

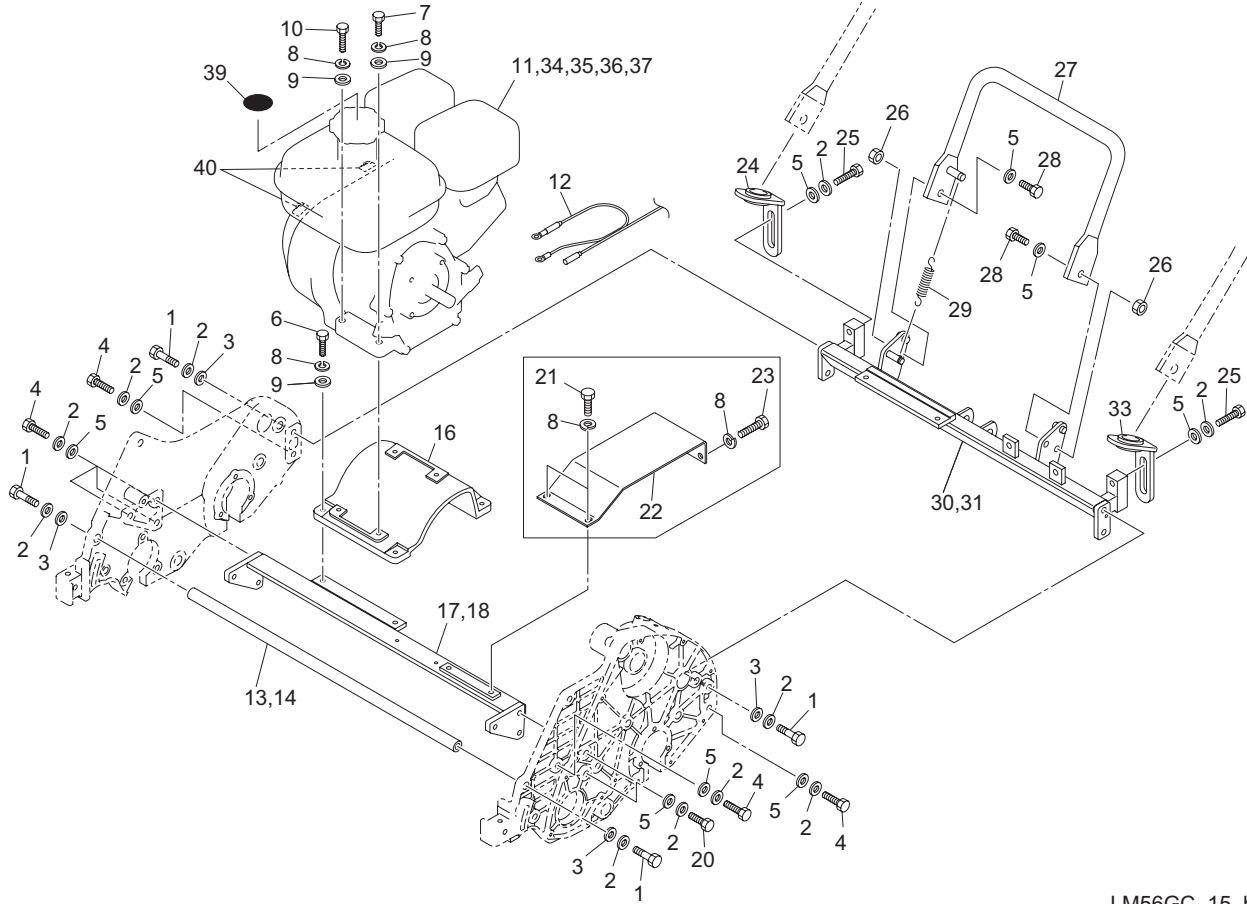


LM56GC_B14_a02

| Cat No. | Code No. | Part name | Qty | | Remark | SN of application |
|----------|-------------|-------------------------|------|------|-----------|-------------------|
| | | | LM56 | LM66 | | |
| B14a- 28 | K0100060002 | NUT, M6 | 1 | 1 | | |
| B14a- 29 | K0000060402 | BOLT, M6-40 | 1 | 1 | | |
| B14a- 30 | K1211380040 | LEVER, CLUTCH E138004 | 1 | 1 | | |
| B14a- 31 | | | | | | |
| B14a- 32 | | | | | | |
| B14a- 33 | | | | | | |
| B14a- 34 | | | | | | |
| B14a- 35 | | | | | | |
| B14a- 36 | K1120136900 | WIRE, BRAKE 1369 | 1 | 1 | | |
| B14a- 37 | K1203522000 | LEVER, THROTTLE E352200 | 1 | 1 | Accessory | |
| B14a- 38 | K1110117010 | WIRE, THROTTLE 1170S | 1 | 1 | Accessory | |
| | | | | | | |
| | | | | | | |
| | | | | | | |
| | | | | | | |

15. Handle & Engine section D

LM56GC•LM66GC/LM66TC

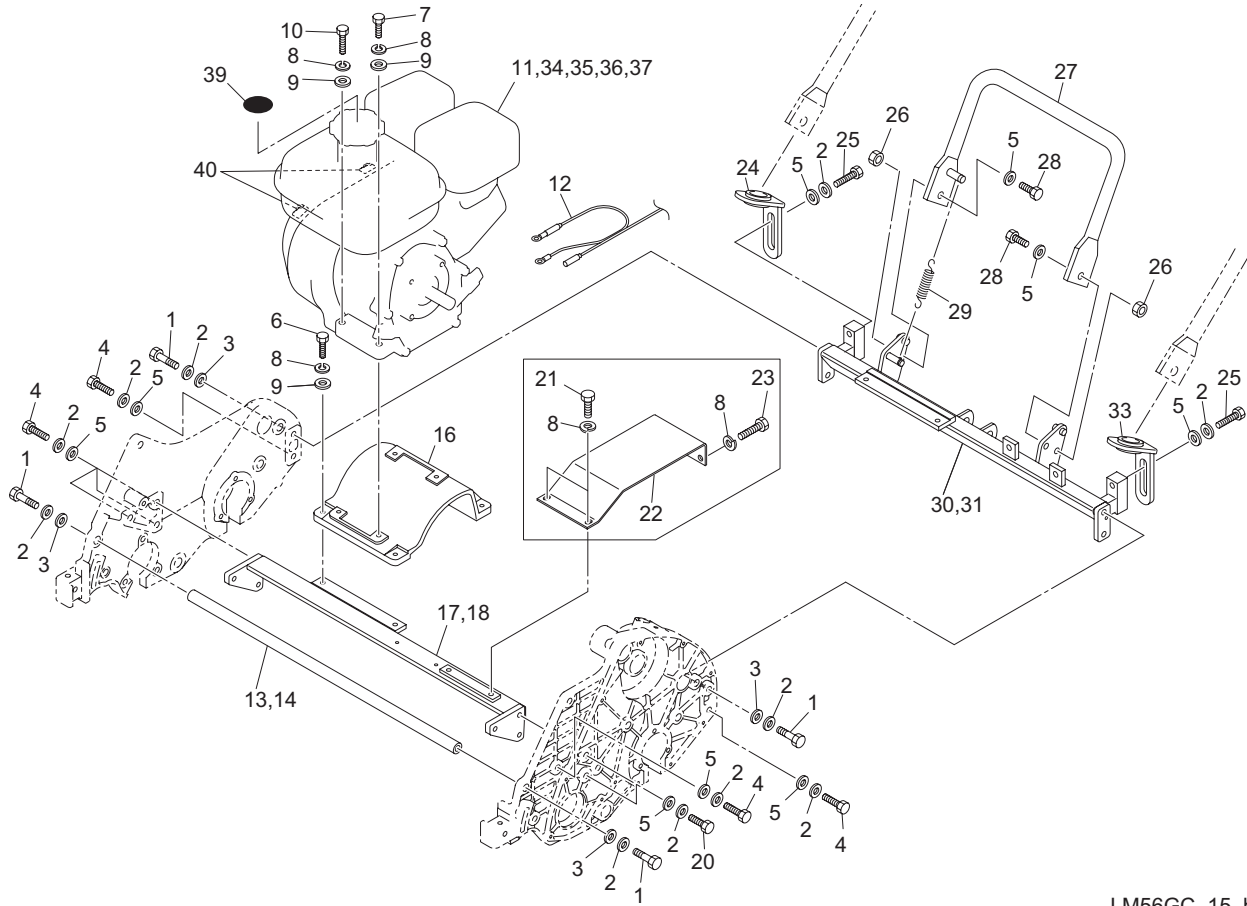


LM56GC_15_b01

| Cat No. | Code No. | Part name | Qty | | Remark | SN of application |
|---------|---------------|-----------------------------------|------|------|--------|-------------------|
| | | | LM56 | LM66 | | |
| 15a- 1 | K0071000592 | BOLT, POSITIONING M10-40 | 4 | 4 | | |
| 15a- 2 | K0213100002 | WASHER, DISK SPRING 1H M10 | 14 | 14 | | |
| 15a- 3 | K5001100002 | WASHER, M10-24 | 4 | 4 | | |
| 15a- 4 | K0000100352 | BOLT, M10-35 | 6 | 6 | | |
| 15a- 5 | K5000100002 | WASHER, M10 | 12 | 12 | | |
| 15a- 6 | K0000080302 | BOLT, M8-30 | 4 | 4 | | |
| 15a- 7 | K0000080352 | BOLT, M8-35 | 1 | 1 | | |
| 15a- 8 | K0200080002 | WASHER, SPRING M8 | 8 | 12 | | |
| 15a- 9 | K5000080002 | WASHER, M8 | 8 | 8 | | |
| 15a- 10 | K0000080402 | BOLT, M8-40 | 3 | 3 | | |
| 15d- 11 | K2655000030 | ENGINE, HONDA GX120UT3 | 1 | 1 | | |
| 15b- 12 | K3620000550 | LINE, ENGINE SWITCH 8A | 1 | 1 | | |
| 15 - 13 | LM56G--0705Z2 | PIPE, FRONT STAY | 1 | 0 | | |
| 15 - 14 | LM66G--0705Z2 | PIPE, FRONT STAY | 0 | 1 | | |
| 15a- 15 | | | | | | |
| 15a- 16 | K6810000060 | BASE, ENGINE MOUNTING M | 1 | 1 | | |
| 15 - 17 | LM56GB-0706ZR | STAY, FRONT FRAME | 1 | 0 | | |
| 15 - 18 | LM66GB-0706ZR | STAY, FRONT FRAME | 0 | 1 | | |
| 15a- 19 | | | | | | |
| 15a- 20 | K0000100302 | BOLT, M10-30 | 2 | 2 | | |
| 15 - 21 | K0000080152 | BOLT, M8-15 | 0 | 2 | | |
| 15 - 22 | LM66G--0709ZR | PLATE, REINFORCEMENT | 0 | 1 | | |
| 15 - 23 | K0000080202 | BOLT, M8-20 | 0 | 2 | | |
| 15a- 24 | LM55GB-0716E0 | ADJUSTER, HANDLE (RH) | 1 | 1 | | |
| 15a- 25 | K0010100252 | BOLT, HT M10-25 | 2 | 2 | | |
| 15a- 26 | K0100100002 | NUT, M10 | 2 | 2 | | |
| 15a- 27 | LM56G--0708AD | STAND | 1 | 1 | | |
| 15a- 28 | K0000100252 | BOLT, M10-25 | 2 | 2 | | |
| 15a- 29 | K1020000198 | SPRING, W/ROUND HOOK M2.6-15.5-84 | 1 | 1 | | |
| 15 - 30 | LM56GB-0707AR | STAY, REAR FRAME | 1 | 0 | | |

15. Handle & Engine section D

LM56GC•LM66GC/LM66TC

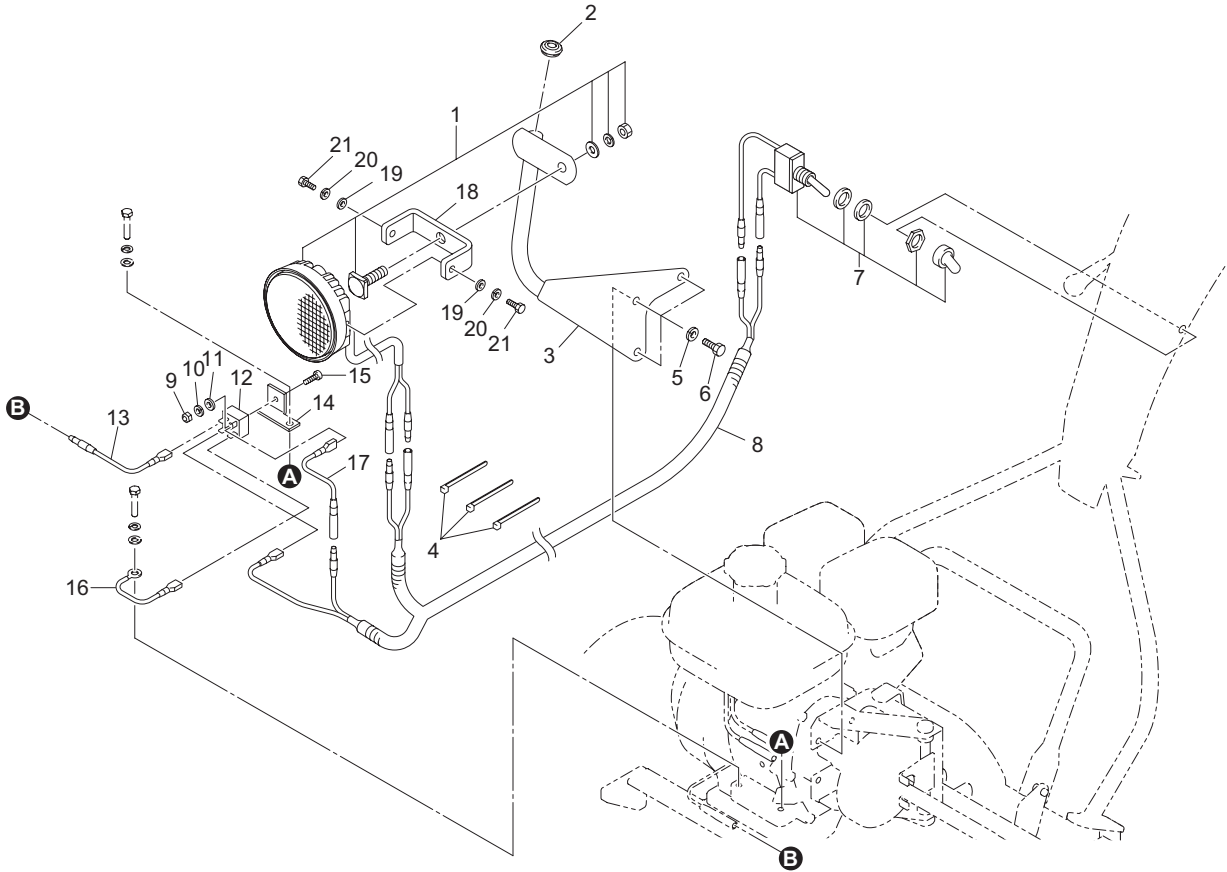


LM56GC_15_b01

| Cat No. | Code No. | Part name | Qty | | Remark | SN of application |
|---------|------------------|-----------------------------|------|------|--------|-------------------|
| | | | LM56 | LM66 | | |
| 15 - 31 | LM66GB-0707AR | STAY, REAR FRAME | 0 | 1 | | |
| 15a- 32 | | | | | | |
| 15a- 33 | LM55GB-0715E0 | ADJUSTER, HANDLE (LH) | 1 | 1 | | |
| 15b- 34 | PE920702112 | PLUG, SPARK (BPR4ES) (NGK) | 1 | 1 | | |
| 15b- 35 | PBH17210-ZE0-822 | ELEMENT, AIR CLEANER (DUAL) | 1 | 1 | | |
| 15b- 36 | PBH17218-ZE0-821 | FILTER, OUTER | 1 | 1 | | |
| 15b- 37 | PBH17232-891-000 | GROMMET, AIR CLEANER | 1 | 1 | | |
| 15 - 38 | | | | | | |
| 15a- 39 | K4205001300 | DECAL, WARNING ENGINE OIL | 1 | 1 | | |
| 15b- 40 | K4251000040 | LATCH, WIRE S10 | 2 | 2 | | |
| 15a- 41 | | | | | | |
| | | | | | | |
| | | | | | | |
| | | | | | | |

16. Light section

LM56GC•LM66GC/LM66TC

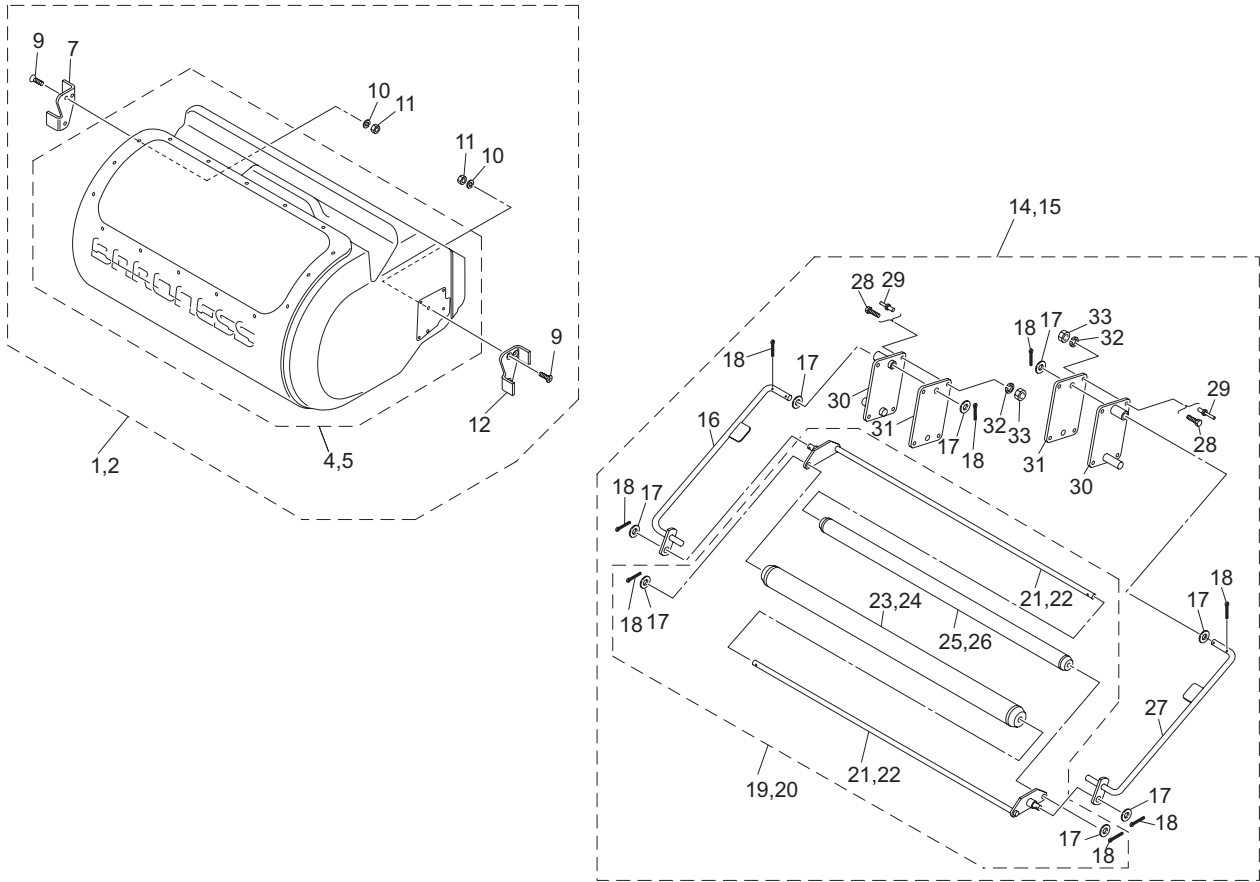


LM56GC_16_a02

| Cat No. | Code No. | Part name | Qty | | Remark | SN of application |
|---------|---------------|----------------------------------|------|------|--------|-------------------|
| | | | LM56 | LM66 | | |
| 16a- 1 | K3640000090 | LAMP, LED WORKING NS-2556 | 1 | 1 | | |
| 16a- 2 | K0900300140 | GROMMET, W/SEALING C30SG14A | 1 | 1 | | |
| 16a- 3 | K735500071D | BRACKET, HEAD LAMP | 1 | 1 | | |
| 16a- 4 | K4241000060 | BAND, PLASTIC TRCV-160LW | 3 | 3 | | |
| 16a- 5 | K0200080002 | WASHER, SPRING M8 | 3 | 3 | | |
| 16a- 6 | K0000080202 | BOLT, M8-20 | 3 | 3 | | |
| 16a- 7 | K3662000100 | SWITCH, TOGGLE FOR LAMP WD101181 | 1 | 1 | | |
| 16b- 8 | K3620001120 | WIRE, SWITCH | 1 | 1 | | |
| 16b- 9 | K0144040002 | NUT, W/F-RING, M4 | 1 | 1 | | |
| 16b- 10 | K0200040002 | WASHER, SPRING M4 | 1 | 1 | | |
| 16b- 11 | K5000040002 | WASHER, M4 | 1 | 1 | | |
| 16b- 12 | K3730000030 | DIODE, BRIDGE S15VB60 | 1 | 1 | | |
| 16b- 13 | LM101--2303Z0 | WIRE, 80 | 1 | 1 | | |
| 16b- 14 | LM101--2301Z2 | BRACKET, RECTIFIER | 1 | 1 | | |
| 16b- 15 | K0042040202 | SCREW, + ROUND HEAD M4-20 | 1 | 1 | | |
| 16b- 16 | LM101--2302Z0 | WIRE, BLACK | 1 | 1 | | |
| 16b- 17 | LM101--2304Z0 | WIRE, 100 | 1 | 1 | | |
| 16a- 18 | LM101--2305ZD | BRACKET, HEAD LAMP | 1 | 1 | | |
| 16a- 19 | K5000050002 | WASHER, M5 | 2 | 2 | | |
| 16a- 20 | K0200050002 | WASHER, SPRING M5 | 2 | 2 | | |
| 16a- 21 | K0000050152 | BOLT, M5-15 | 2 | 2 | | |

17. Grass catcher section

LM56GC•LM66GC/LM66TC

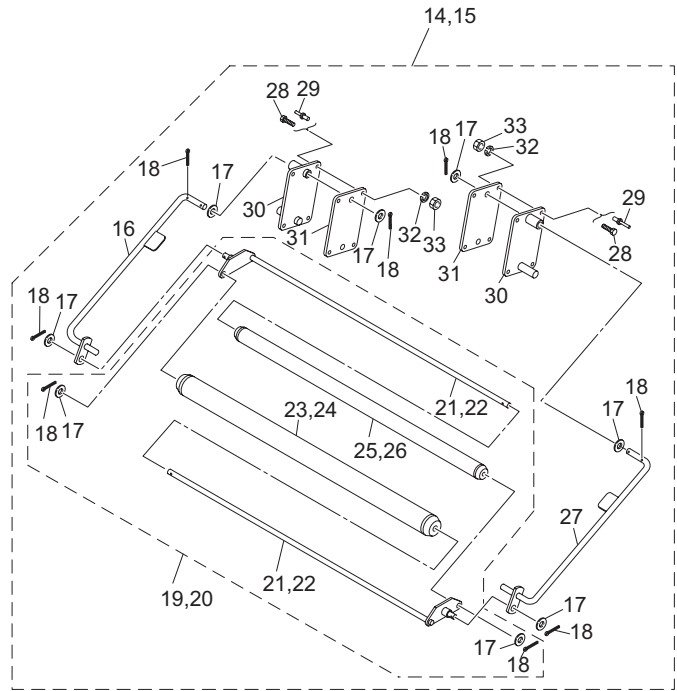
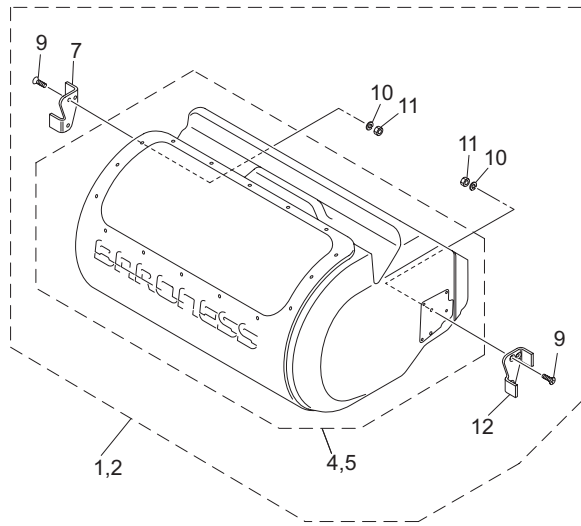


LM56GC_17_a00

| Cat No. | Code No. | Part name | Qty | | Remark | SN of application |
|---------|---------------|-----------------------------|------|------|--------|-------------------|
| | | | LM56 | LM66 | | |
| 17a- 1 | LM56G--8101Z0 | GRASS CATCHER ASSY, 56 | 1 | 0 | | |
| 17a- 2 | LM66G--8101Z0 | GRASS CATCHER ASSY, LM66 | 0 | 1 | | |
| 17a- 3 | | | | | | |
| 17a- 4 | LM56G--8103Z0 | GRASS CATCHER COMP, LM56 | 1 | 0 | | |
| 17a- 5 | LM66G--8103Z0 | GRASS CATCHER COMP, LM66 | 0 | 1 | | |
| 17a- 6 | | | | | | |
| 17 - 7 | K527600002D | LATCH, (RH) | 1 | 1 | | |
| 17a- 8 | | | | | | |
| 17a- 9 | K0041060202 | SCREW, + FLAT HEAD M6-20 | 4 | 4 | | |
| 17a- 10 | K0200060002 | WASHER, SPRING M6 | 4 | 4 | | |
| 17a- 11 | K0100060002 | NUT, M6 | 4 | 4 | | |
| 17 - 12 | K527600001D | LATCH, (LH) | 1 | 1 | | |
| 17a- 13 | | | | | | |
| 17 - 14 | 1239400 | DEW ROLLER KIT, LM56 | 1 | 0 | | |
| 17 - 15 | 1256500 | DEW ROLLER KIT, LM66 | 0 | 1 | | |
| 17 - 16 | LM56G--7609Z3 | ARM, ROLLER (RH) | 1 | 1 | | |
| 17 - 17 | K5000080002 | WASHER, M8 | 10 | 10 | | |
| 17 - 18 | K0302020160 | PIN, COTTER SUS M2-16 | 8 | 8 | | |
| 17 - 19 | LM56G--7633Z0 | ROLLER COMP, DEW LM56 | 1 | 0 | | |
| 17 - 20 | LM66G--7633Z0 | ROLLER COMP, DEW LM66 | 0 | 1 | | |
| 17 - 21 | LM56G--7630Z3 | METAL, CONNECTING | 2 | 0 | | |
| 17 - 22 | LM66G--7630Z3 | METAL, CONNECTING | 0 | 2 | | |
| 17 - 23 | LM56G--7631Z0 | ROLLER, 48 | 1 | 0 | | |
| 17 - 24 | LM66G--7631Z0 | ROLLER, 48 | 0 | 1 | | |
| 17 - 25 | LM56G--7632Z0 | ROLLER, 34 | 1 | 0 | | |
| 17 - 26 | LM66G--7632Z0 | ROLLER, 34 | 0 | 1 | | |
| 17 - 27 | LM56G--7608Z3 | ARM, ROLLER (LH) | 1 | 1 | | |
| 17 - 28 | K0042040122 | SCREW, + ROUND HEAD M4-12 | 8 | 8 | | |
| 17 - 29 | K4510615160 | RIVET, BLIND AVEX 1661-0516 | 8 | 8 | | |
| 17 - 30 | LM56G--7606Z3 | FULCRUM | 2 | 2 | | |

17. Grass catcher section

LM56GC•LM66GC/LM66TC

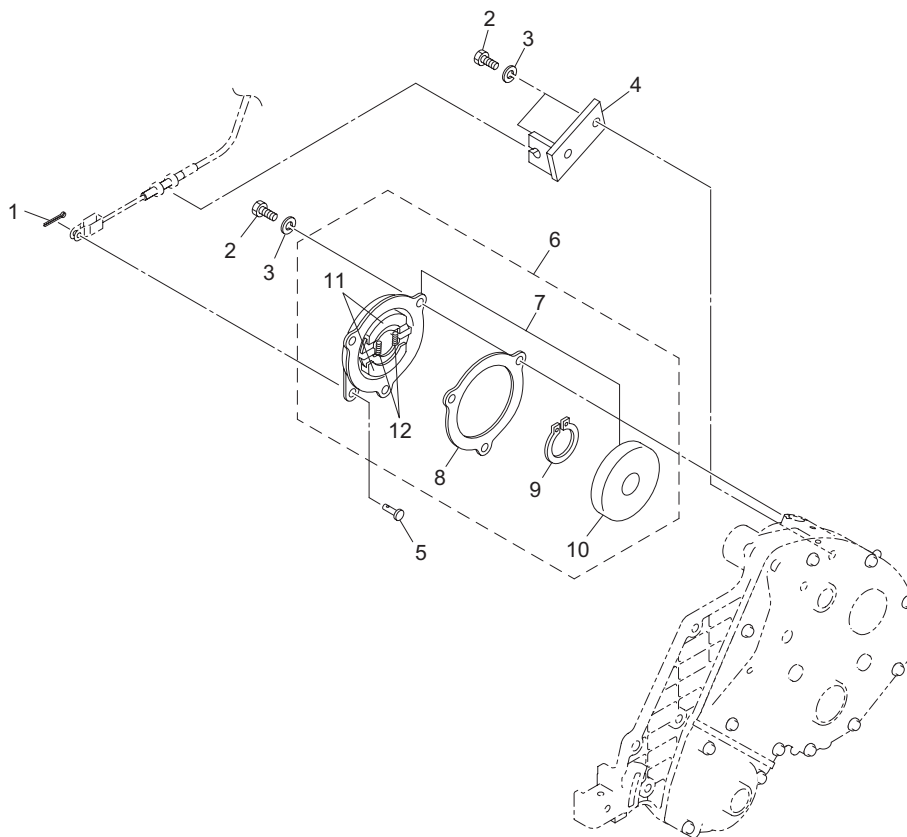


LM56GC_17_a00

| Cat No. | Code No. | Part name | Qty | | Remark | SN of application |
|---------|-------------|----------------------|------|------|--------|-------------------|
| | | | LM56 | LM66 | | |
| 17 - 31 | K5116000213 | PLATE, SPCC MOUNTING | 2 | 2 | | |
| 17 - 32 | K0200040002 | WASHER, SPRING M4 | 8 | 8 | | |
| 17 - 33 | K0100040002 | NUT, M4 | 8 | 8 | | |
| | | | | | | |
| | | | | | | |
| | | | | | | |
| | | | | | | |
| | | | | | | |
| | | | | | | |

18. Brake section

LM56GC•LM66GC/LM66TC

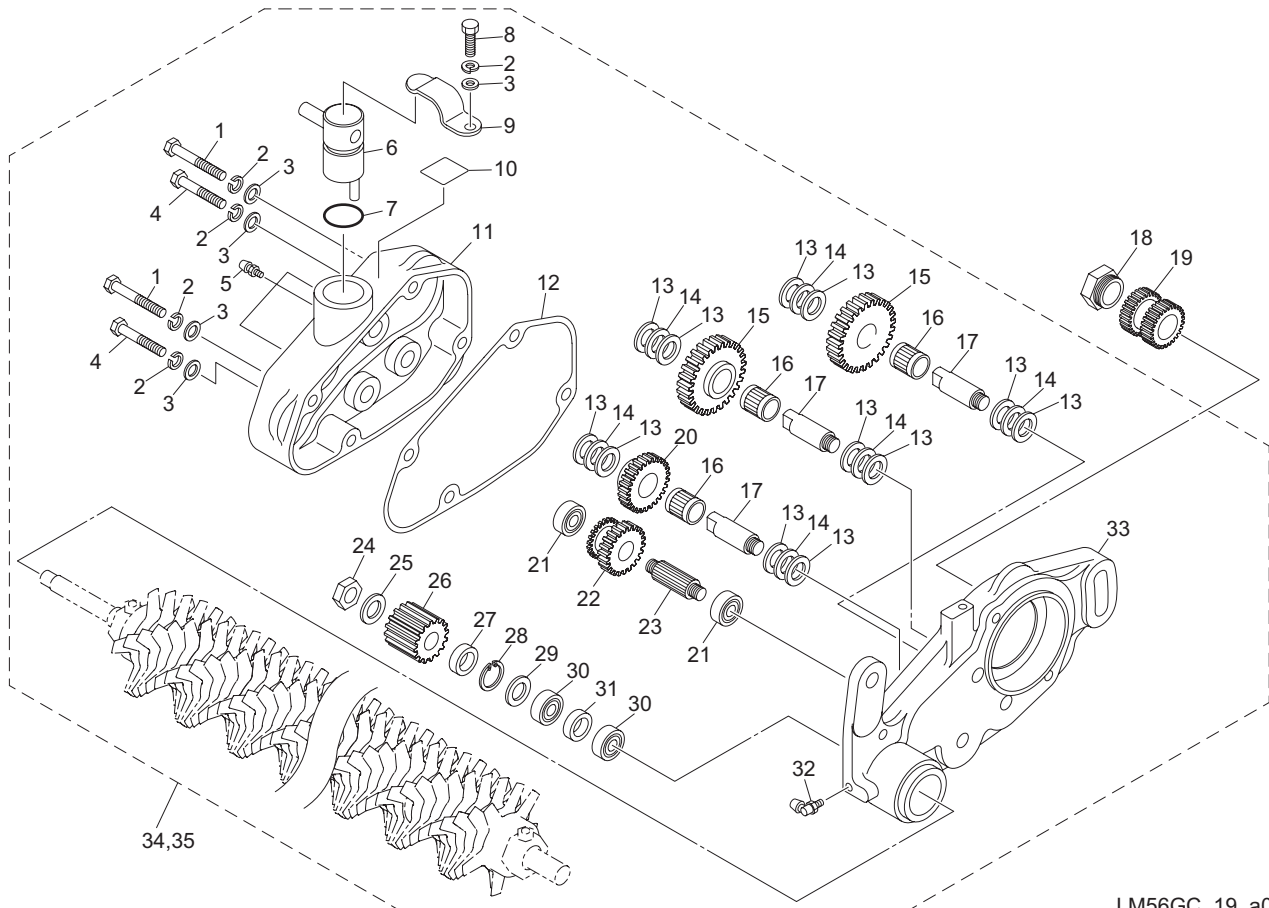


LM56GC_18_z01

| Cat No. | Code No. | Part name | Qty | | Remark | SN of application |
|---------|---------------|-----------------------|------|------|--------|-------------------|
| | | | LM56 | LM66 | | |
| 18a- 1 | K0300020122 | PIN, COTTER M2-12 | 1 | 1 | | |
| 18a- 2 | K0000060152 | BOLT, M6-15 | 5 | 5 | | |
| 18a- 3 | K0200060002 | WASHER, SPRING M6 | 5 | 5 | | |
| 18a- 4 | LM56G--1102Z2 | BRACKET, WIRE | 1 | 1 | | |
| 18a- 5 | K6030050122 | PIN, FLAT HEAD M5-12 | 1 | 1 | | |
| 18a- 6 | K1720000020 | BRAKE, M-0060810 | 1 | 1 | | |
| 18a- 7 | K1720000150 | BRAKE ASSY, 62 | 1 | 1 | | |
| 18a- 8 | K4019000020 | PACKING, FOR BRAKE | 1 | 1 | | |
| 18a- 9 | K0401014001 | RING, RETAINING S M14 | 1 | 1 | | |
| 18a- 10 | M-0060510-11 | DRAM, BRAKE | 1 | 1 | | |
| 18a- 11 | M-0060510-12 | SHOE, BRAKE | 2 | 2 | | |
| 18a- 12 | M-0060510-8 | SPRING, SHOE | 2 | 2 | | |
| | | | | | | |
| | | | | | | |
| | | | | | | |
| | | | | | | |

19. Groomer section A

LM56GC•LM66GC/LM66TC

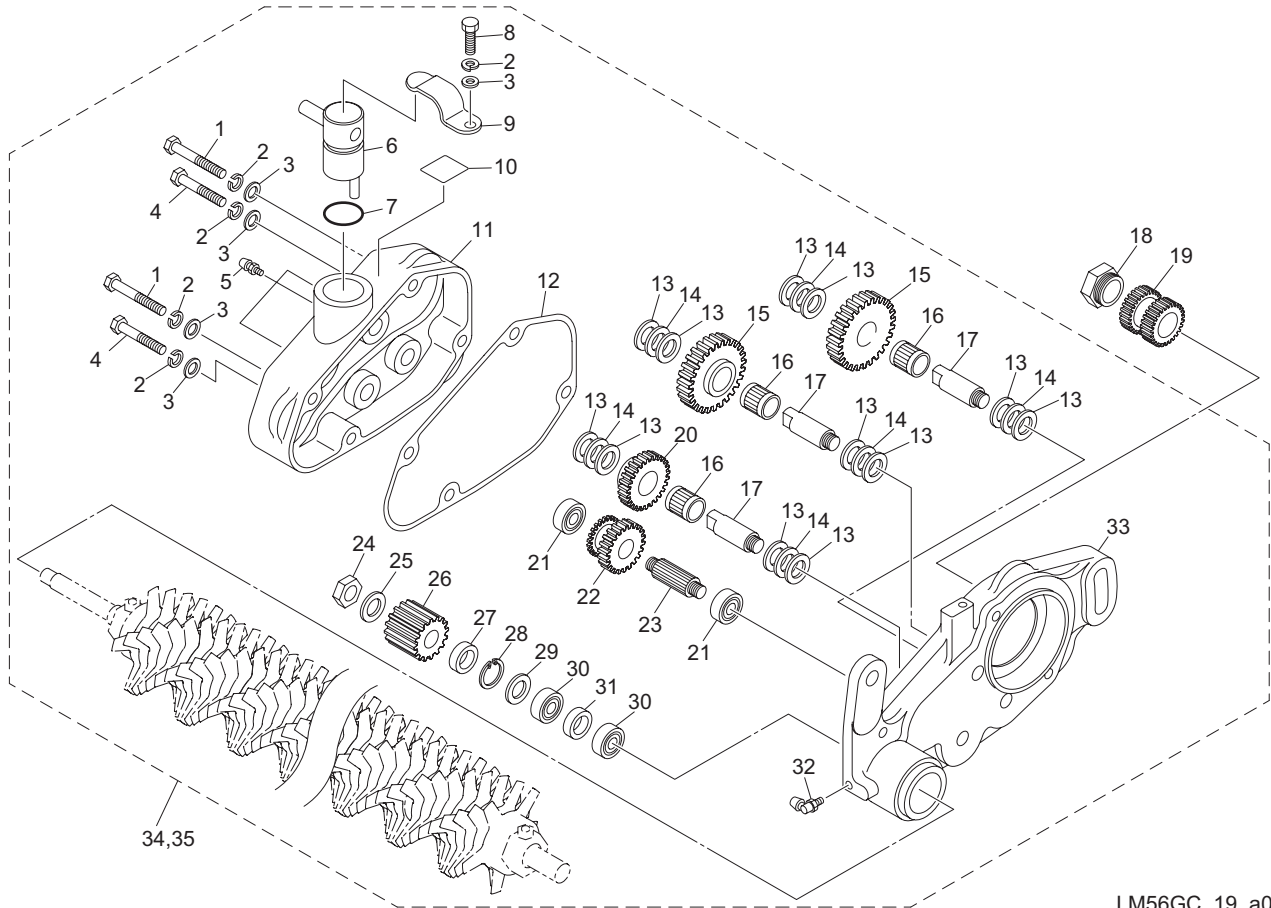


LM56GC_19_a00

| Cat No. | Code No. | Part name | Qty | | Remark | SN of application |
|---------|---------------|--------------------------------|------|------|--------|-------------------|
| | | | LM56 | LM66 | | |
| 19a- 1 | K0000060502 | BOLT, M6-50 | 2 | 2 | | |
| 19a- 2 | K0200060002 | WASHER, SPRING M6 | 5 | 5 | | |
| 19a- 3 | K5000060002 | WASHER, M6 | 5 | 5 | | |
| 19a- 4 | K0000060402 | BOLT, M6-40 | 2 | 2 | | |
| 19a- 5 | K1440000010 | GREASE NIPPLE, STRAIGHT TYPE A | 3 | 3 | | |
| 19a- 6 | K732100014C | LEVER, VERTICAL CLUTCH | 1 | 1 | | |
| 19a- 7 | K0880018000 | O-RING, P18 | 1 | 1 | | |
| 19a- 8 | K0000060102 | BOLT, M6-10 | 1 | 1 | | |
| 19a- 9 | K1090000058 | SPRING, CLUTCH RETAINER | 1 | 1 | | |
| 19a- 10 | K4203001120 | LABEL, INDICATION GROOMER | 1 | 1 | | |
| 19a- 11 | K690200004R | COVER, GEAR CASE | 1 | 1 | | |
| 19a- 12 | LM56G--8002A0 | PACKING, GEAR CASE | 1 | 1 | | |
| 19a- 13 | K5051010160 | WASHER, C5191P 1-10-16 | 12 | 12 | | |
| 19a- 14 | K5020810160 | WASHER, NBS55 0.8-10-16 | 6 | 6 | | |
| 19a- 15 | K6186000050 | GEAR, 24-TEETH | 2 | 2 | | |
| 19a- 16 | K0701013100 | BEARING, NEEDLE KT101310EGB2 | 3 | 3 | | |
| 19a- 17 | K6120000310 | COUNTERSHAFT, THREADED | 3 | 3 | | |
| 19a- 18 | LM56G--1208A0 | NUT, REEL GEAR | 1 | 1 | | |
| 19a- 19 | LM56G--1204Z0 | GEAR, 20-TEETH | 1 | 1 | | |
| 19a- 20 | K6186000040 | GEAR, 18-TEETH B | 1 | 1 | | |
| 19a- 21 | K0608060000 | BEARING, BALL SEAL 2RS 6000 | 2 | 2 | | |
| 19a- 22 | K6180000150 | GEAR, SPLINED 23-TEETH | 1 | 1 | | |
| 19a- 23 | K6100000100 | SHAFT, CLUTCH | 1 | 1 | | |
| 19a- 24 | K0160000322 | NUT, LEFT-HANDED P1 M10 | 1 | 1 | | |
| 19a- 25 | K0213100002 | WASHER, DISK SPRING 1H M10 | 1 | 1 | | |
| 19a- 26 | K6180000160 | GEAR, SPLINED 20-TEETH | 1 | 1 | | |
| 19a- 27 | K6212001910 | COLLAR, STKM M12.1-17-6 | 1 | 1 | | |
| 19a- 28 | K0402024001 | RING, RETAINING R M24 | 1 | 1 | | |
| 19a- 29 | K0220160110 | WASHER, WAVE 16011 | 1 | 1 | | |
| 19a- 30 | K0611069010 | BEARING, BALL SEAL RDC3 6901 | 2 | 2 | | |

19. Groomer section A

LM56GC•LM66GC/LM66TC

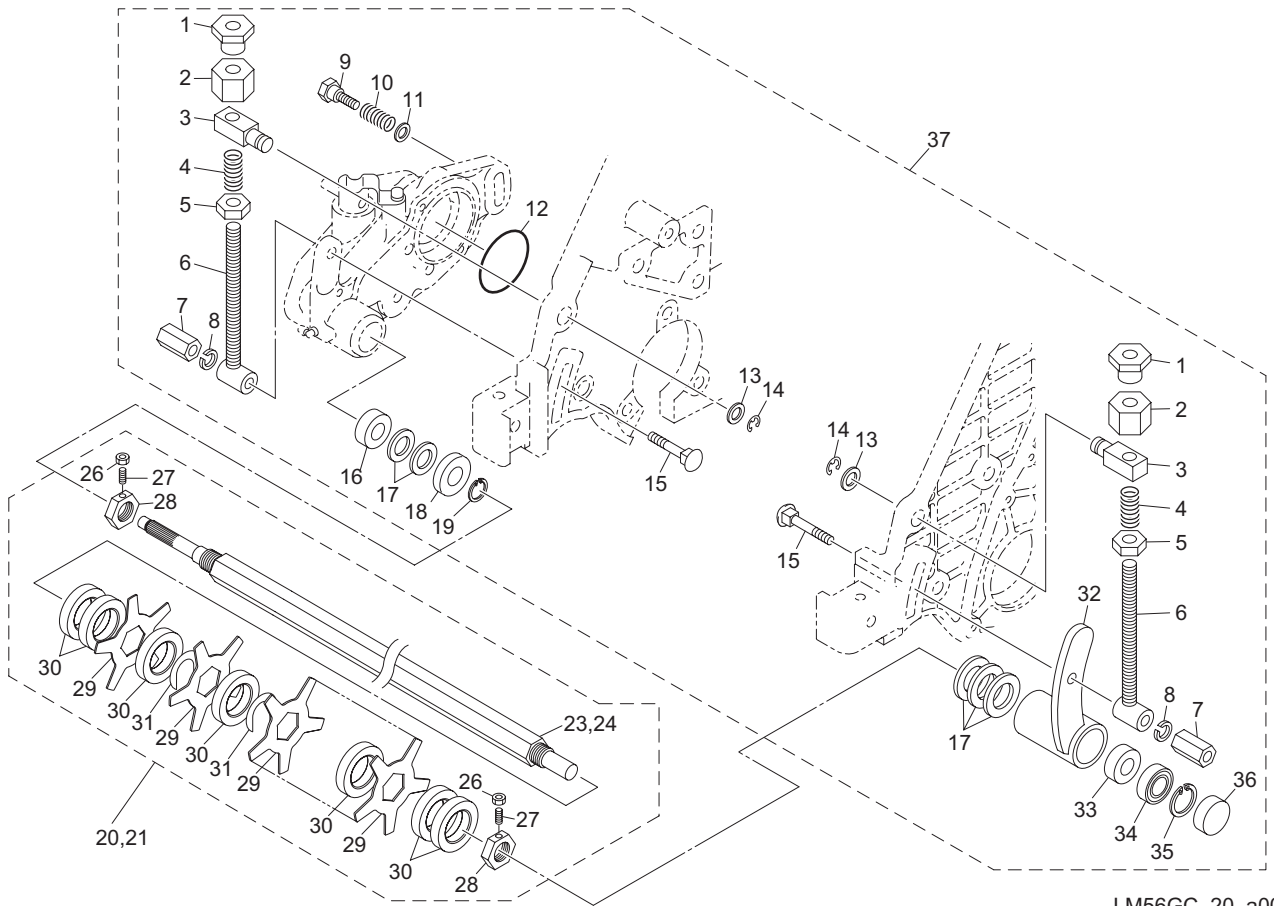


LM56GC_19_a00

| Cat No. | Code No. | Part name | Qty | | Remark | SN of application |
|---------|---------------|--------------------------------|------|------|--------|-------------------|
| | | | LM56 | LM66 | | |
| 19a- 31 | K6212001590 | COLLAR, STKM M12.1-17-14 | 1 | 1 | | |
| 19a- 32 | K1440000020 | GREASE NIPPLE, 90 TYPE C | 1 | 1 | | |
| 19a- 33 | K680100001R | GEARCASE, VERTICAL DT | 1 | 1 | | |
| 19a- 34 | LM56G--8001Z0 | GROOMER & GEAR ASSY, 78 (LM56) | 1 | 0 | | |
| 19a- 35 | LM66G--8001Z0 | GROOMER & GEAR ASSY, 92 (LM66) | 0 | 1 | | |
| 19d- 36 | | | | | | |
| | | | | | | |
| | | | | | | |
| | | | | | | |
| | | | | | | |
| | | | | | | |

20. Groomer section B

LM56GC•LM66GC/LM66TC

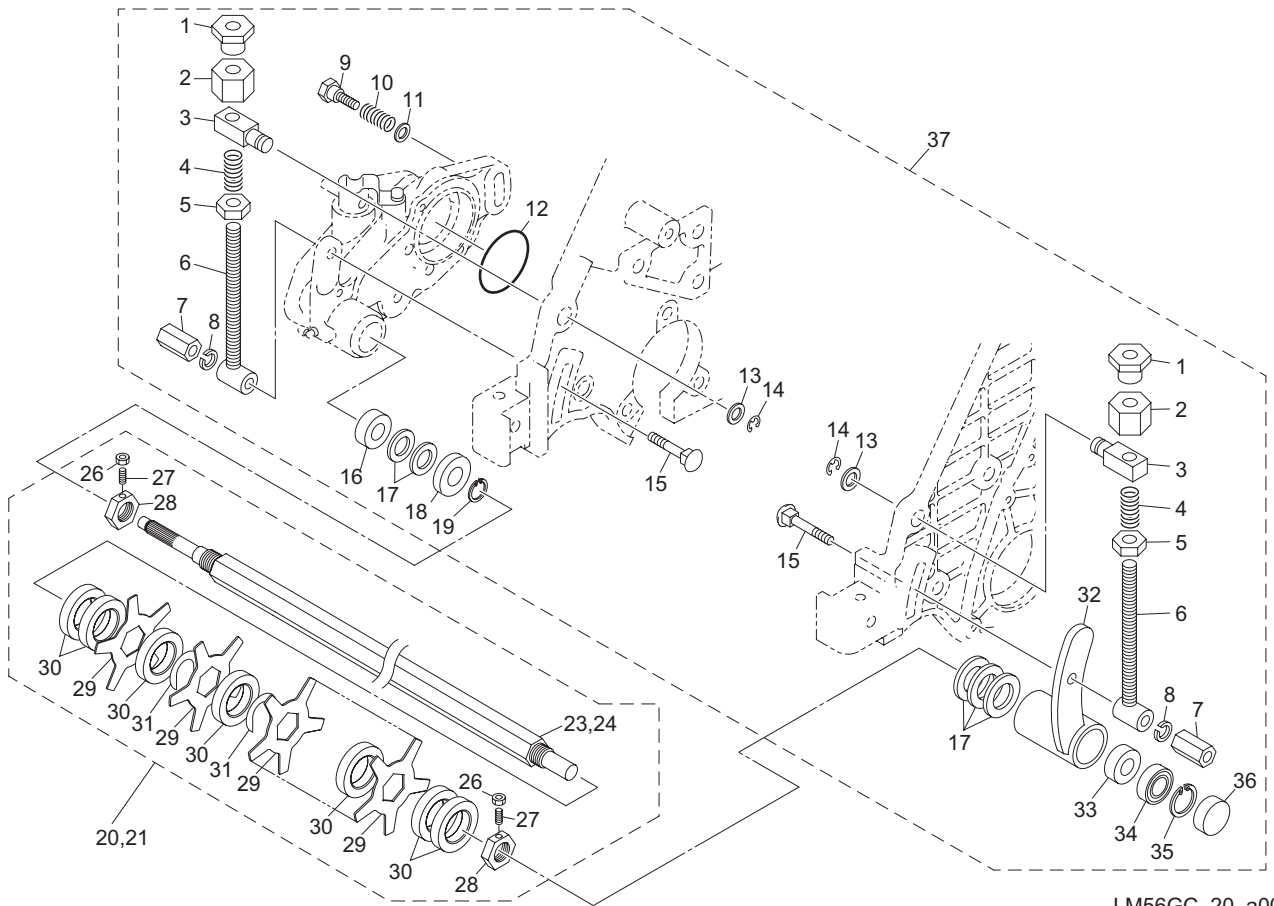


LM56GC_20_a00

| Cat No. | Code No. | Part name | Qty | | Remark | SN of application |
|---------|---------------|-----------------------------------|------|------|--------|-------------------|
| | | | LM56 | LM66 | | |
| 20a- 1 | LM56G--1216Z2 | NUT, SPECIAL B M8 | 2 | 2 | | |
| 20a- 2 | LM56G--1215Z2 | NUT, SPECIAL A M8 | 2 | 2 | | |
| 20a- 3 | LM56G--1217Z2 | BUSH, ADJUSTING | 2 | 2 | | |
| 20a- 4 | K1000000238 | SPRING, COMPRESSION M1.4-13.3-42 | 2 | 2 | | |
| 20a- 5 | K0100080002 | NUT, M8 | 2 | 2 | | |
| 20a- 6 | LM56G--1218Z2 | SCREW, ADJUSTING 108 | 2 | 2 | | |
| 20a- 7 | K0149083202 | NUT, HIGH M8-13-20 | 2 | 2 | | |
| 20a- 8 | K0200080002 | WASHER, SPRING M8 | 2 | 2 | | |
| 20a- 9 | K6083000143 | PIN, STEPPED FOR FIXING (RH) CASE | 1 | 1 | | |
| 20a- 10 | K1000000309 | SPRING, COMPRESSION M1.6-13.7-20 | 1 | 1 | | |
| 20a- 11 | K5090000250 | WASHER, C5191P 2-8.5-22 | 1 | 1 | | |
| 20a- 12 | K0882045000 | O-RING, G45 | 1 | 1 | | |
| 20a- 13 | K5011013222 | WASHER, SPCC 1-13-22 | 2 | 2 | | |
| 20a- 14 | K0400010002 | RING, RETAINING E M10 | 2 | 2 | | |
| 20a- 15 | K0025080552 | BOLT,CARRIAGE M8-55 | 2 | 2 | | |
| 20a- 16 | K0821522070 | OIL SEAL, MHSA15227 | 1 | 1 | | |
| 20a- 17 | K5051015280 | WASHER, C5191P 1-15-28 | 5 | 5 | | |
| 20a- 18 | K5300000293 | COVER, DUST PROOF | 1 | 1 | | |
| 20a- 19 | K0401015001 | RING, RETAINING S M15 | 1 | 1 | | |
| 20 - 20 | LM56G--1219Z0 | GROOMER COMP, 78 (LM56) | 1 | 0 | | |
| 20a- 20 | LM56G--1502Z0 | DETHATCHER COMP, 39 (LM56) | 1 | 0 | | |
| 20b- 20 | LM56G--2102Z0 | DETHATCHER COMP, 39-1 (LM56) | 1 | 0 | | |
| 20 - 21 | LM66G--1219Z0 | GROOMER COMP, 92 (LM66) | 0 | 1 | | |
| 20a- 21 | LM66G--1502Z0 | DETHATCHER COMP, 46 (LM66) | 0 | 1 | | |
| 20b- 21 | LM66G--2102Z0 | DETHATCHER COMP, 46-1 (LM66) | 0 | 1 | | |
| 20c- 22 | | | | | | |
| 20 - 23 | K6084000118 | SHAFT, VERTICAL BLADES | 1 | 0 | | |
| 20 - 24 | LM66G--1211Z8 | SHAFT, VERTICAL BLADES LM66 | 0 | 1 | | |
| 20a- 25 | | | | | | |
| 20a- 26 | K0100040002 | NUT, M4 | 2 | 2 | | |

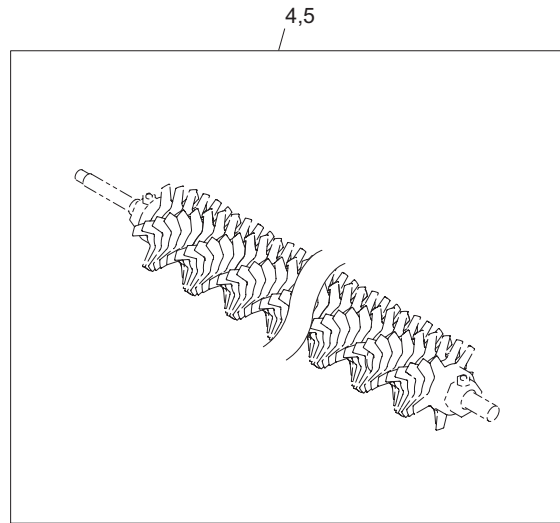
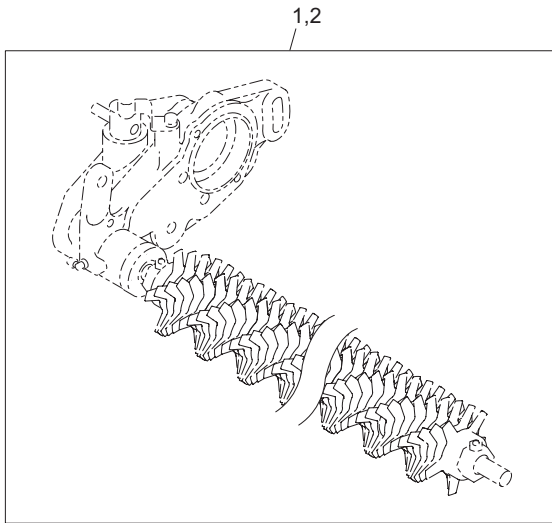
20. Groomer section B

LM56GC•LM66GC/LM66TC



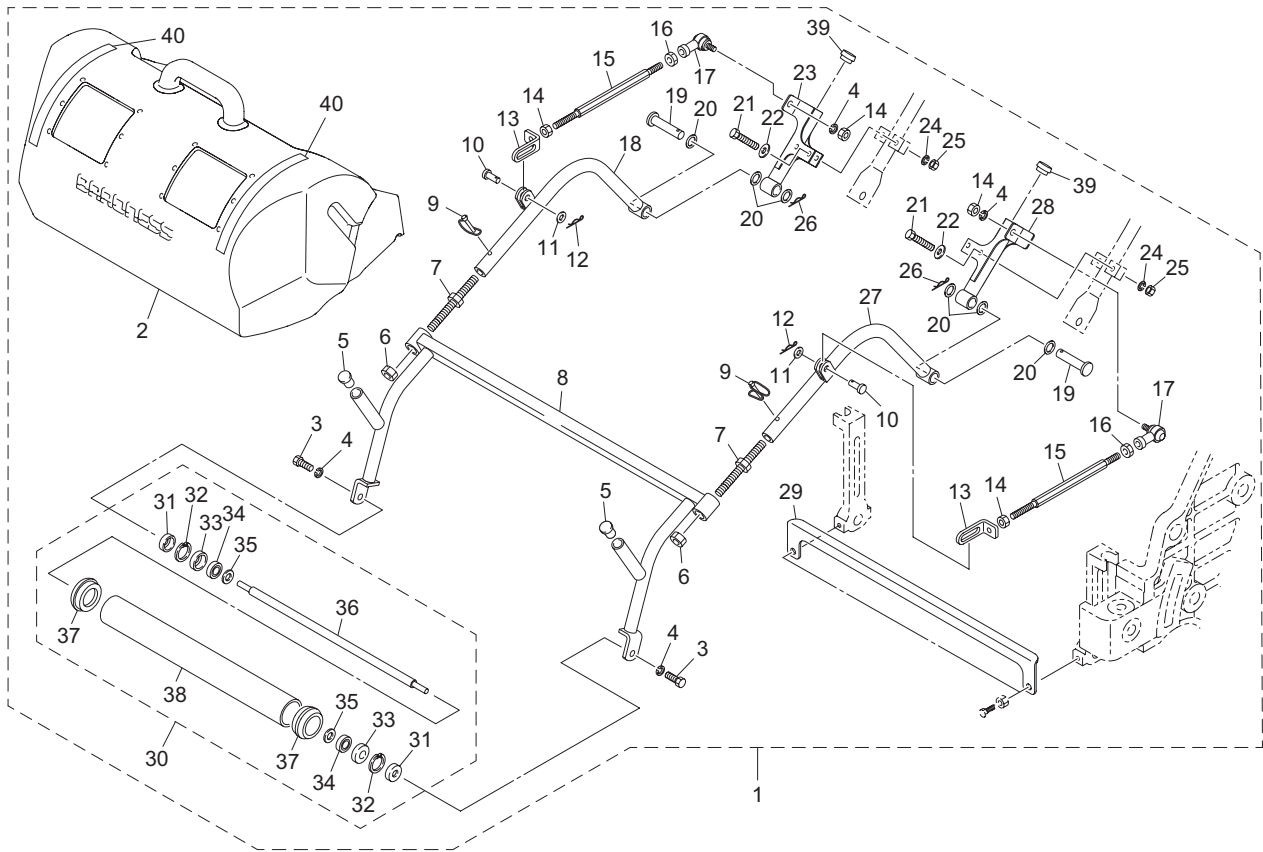
LM56GC_20_a00

| Cat No. | Code No. | Part name | Qty | | Remark | SN of application |
|---------|---------------|-----------------------------|------|------|----------------------------|-------------------|
| | | | LM56 | LM66 | | |
| 20a- 27 | K0023000041 | SETSCREW, M4-8 | 2 | 2 | | |
| 20a- 28 | K0160000602 | NUT, SPECIAL P1 M17 W/M4 | 2 | 2 | | |
| 20 - 29 | K2570000019 | BLADE, VERTICAL 63 | — | — | refer to Groomer section C | |
| 20a- 29 | K2570000099 | BLADE, VERTICAL 63-1 | — | — | refer to Groomer section C | |
| 20 - 30 | K6214000030 | COLLAR, AC M19.7-32-6.1 | — | — | refer to Groomer section C | |
| 20 - 31 | K5090000673 | WASHER, SPCC 0.5 | — | — | refer to Groomer section C | |
| 20a- 31 | K5090000652 | WASHER, SPCC 0.5-19.7-32 | — | — | refer to Groomer section C | |
| 20a- 32 | LM56G--1212CR | HOUSING, VERTICAL (LH) | 1 | 1 | | |
| 20a- 33 | K0821525070 | OIL SEAL, MHSA15257 | 1 | 1 | | |
| 20a- 34 | K0608069020 | BEARING, BALL SEAL 2RS 6902 | 1 | 1 | | |
| 20a- 35 | K0402028001 | RING, RETAINING R M28 | 1 | 1 | | |
| 20a- 36 | K0890000060 | CAP, RUBBER 30 | 1 | 1 | | |
| 20a- 37 | LM56GA-2907A0 | FRONT ATTACHMENT PARTS KIT | 1 | 1 | | |
| | | | | | | |
| | | | | | | |
| | | | | | | |



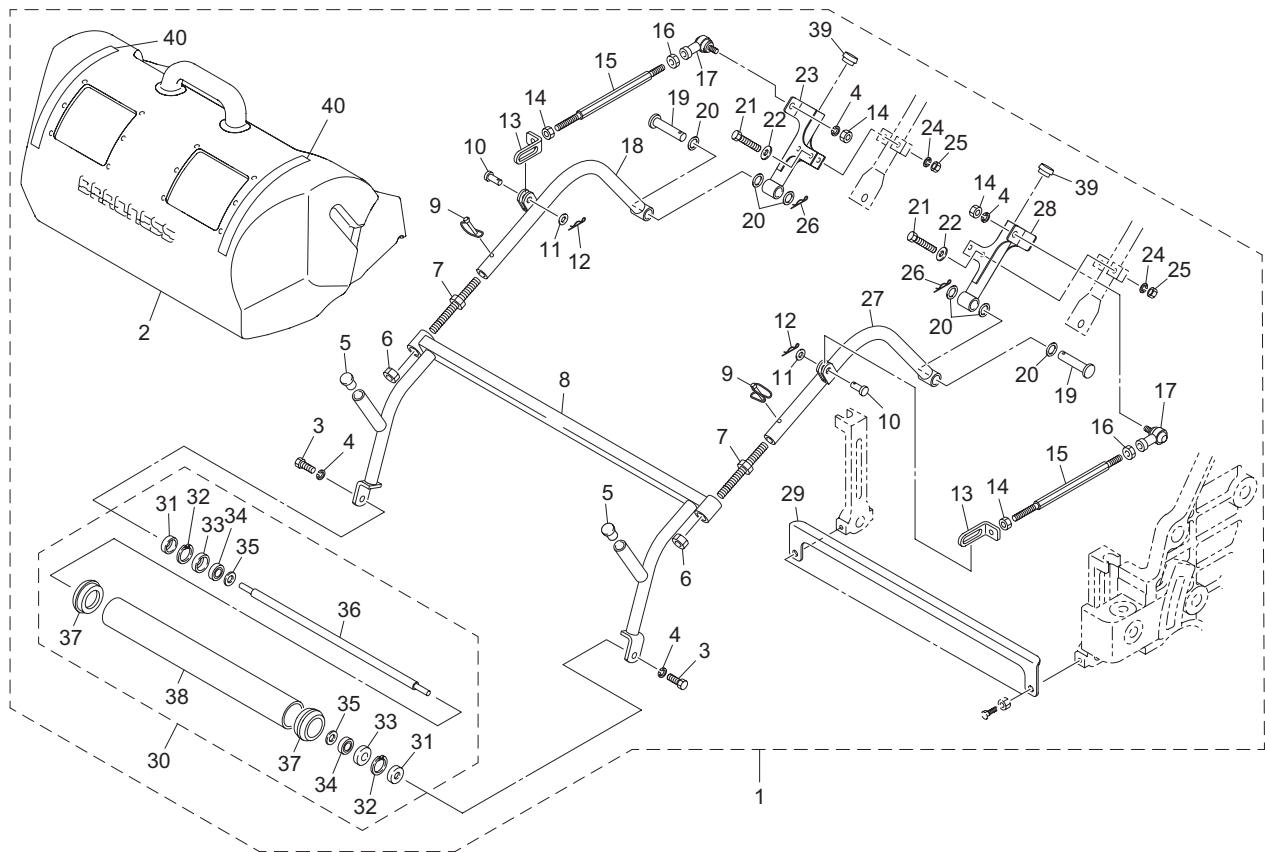
LM56GC_21_a00

| Cat No. | Code No. | Part name | Qty | | Remark | BLADE | | COLLAR | WASHER | |
|---------|---------------|--------------------------------|------|------|--------|-----------------------------|-------------------------------|-------------------------|------------------|--------------------------|
| | | | LM56 | LM66 | | K2570000019 | K2570000099 | K6214000030 | K5090000673 | K5090000652 |
| | | | | | | BLADE, VERTICAL 63 t=0.5 | BLADE, VERTICAL 63-1 t=1.0 | COLLAR, AC M19.7-32-6.1 | WASHER, SPCC 0.5 | WASHER, SPCC 0.5-19.7-32 |
| 21a-1 | LM56G--8001Z0 | GROOMER & GEAR ASSY, 78 (LM56) | 1 | 0 | | 78 | — | 81 | 0-5 | — |
| 21a-2 | LM66G--8001Z0 | GROOMER & GEAR ASSY, 92 (LM66) | 0 | 1 | | 92 | — | 95 | 0-5 | — |
| 21d-3 | | | | | | | | | | |
| 21 -4 | LM56G--1219Z0 | GROOMER COMP, 78 (LM56) | 1 | 0 | | 78 | — | 81 | 0-5 | — |
| 21a-4 | LM56G--1502Z0 | DETHATCHER COMP, 39 (LM56) | 1 | 0 | | 39 | — | 81 | 0 | 38 |
| 21b-4 | LM56G--2102Z0 | DETHATCHER COMP, 39-1 (LM56) | 1 | 0 | | — | 39 | 81 | — | — |
| 21 -5 | LM66G--1219Z0 | GROOMER COMP, 92 (LM66) | 0 | 1 | | 92 | — | 95 | 0-5 | — |
| 21a-5 | LM66G--1502Z0 | DETHATCHER COMP, 46 (LM66) | 0 | 1 | | 46 | — | 95 | — | 45 |
| 21b-5 | LM66G--2102Z0 | DETHATCHER COMP, 46-1 (LM66) | 0 | 1 | | — | 46 | 95 | — | — |
| 21c-6 | | | | | | | | | | |
| | | | | | | | | | | |
| | | | | | | | | | | |
| | | | | | | | | | | |



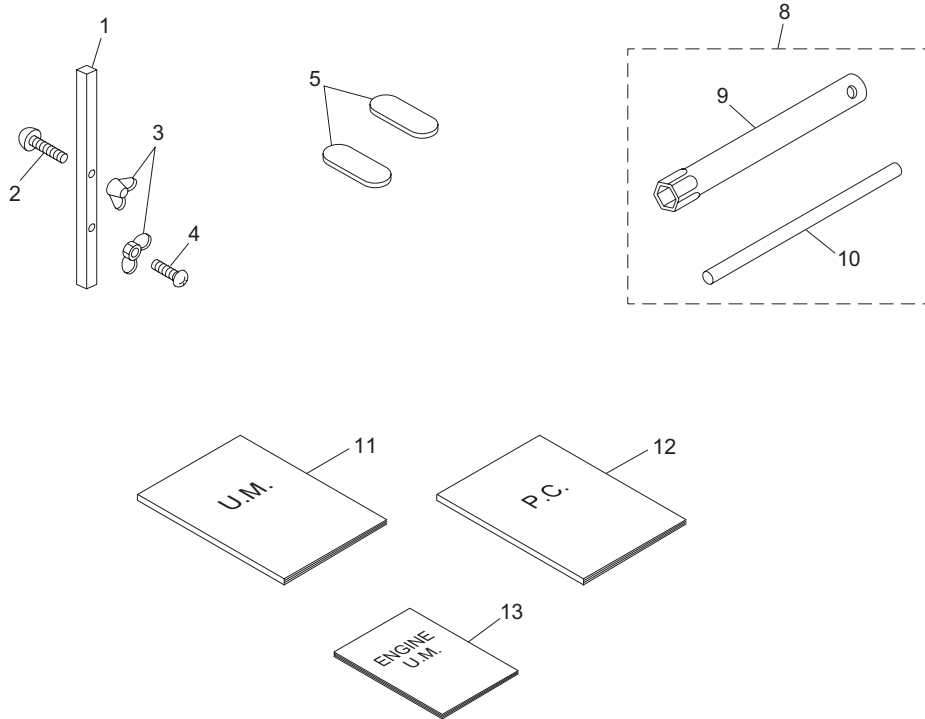
LM56GC_22_z02

| Cat No. | Code No. | Part name | Qty | | Remark | SN of application |
|---------|---------------|-------------------------------|------|------|--------|-------------------|
| | | | LM56 | LM66 | | |
| 22 - 1 | LM56GB-7120Z0 | ARM ASSY, GRASS CATCHER | 1 | 0 | | |
| 22 - 2 | LM101--0820A0 | GRASS CATCHER COMP | 1 | 0 | | |
| 22 - 3 | K0000100202 | BOLT, M10-20 | 2 | 0 | | |
| 22 - 4 | K0200100002 | WASHER, SPRING M10 | 4 | 0 | | |
| 22 - 5 | K1310000060 | CAP, 12.7 | 2 | 0 | | |
| 22 - 6 | K0100160002 | NUT, M16 | 2 | 0 | | |
| 22 - 7 | LM56GB-7104Z2 | SHAFT, W/M16 THREAD | 2 | 0 | | |
| 22 - 8 | LM56GB-7101ZD | ARM, GRASS CATCHER | 1 | 0 | | |
| 22 - 9 | K0450000030 | PIN, PIPE 4.5 | 2 | 0 | | |
| 22 - 10 | K6031100258 | PIN, FLAT HEAD HT M10-25 | 2 | 0 | | |
| 22 - 11 | K5000100002 | WASHER, M10 | 2 | 0 | | |
| 22 - 12 | K0331000008 | PIN, SNAP M10 | 2 | 0 | | |
| 22 - 13 | LM56GB-7108Z2 | ANGLE | 2 | 0 | | |
| 22 - 14 | K0100100002 | NUT, M10 | 4 | 0 | | |
| 22 - 15 | LM56GB-7109Z2 | ROD | 2 | 0 | | |
| 22 - 16 | K0180100002 | NUT, LEFT-HANDED M10 | 2 | 0 | | |
| 22 - 17 | K16041000L0 | JOINT, SPHERICAL LHSA10DLE146 | 2 | 0 | | |
| 22 - 18 | LM56GB-7103ZD | ARM, (RH) | 1 | 0 | | |
| 22 - 19 | LM56GB-7107Z2 | PIN, FLAT HEAD M16-70 | 2 | 0 | | |
| 22 - 20 | K5051016240 | WASHER, C5191P 1-16-24 | 6 | 0 | | |
| 22 - 21 | K0000080402 | BOLT, M8-40 | 4 | 0 | | |
| 22 - 22 | K5000080002 | WASHER, M8 | 4 | 0 | | |
| 22 - 23 | LM56GB-7106ZD | FITTING, (RH) | 1 | 0 | | |
| 22 - 24 | K0200080002 | WASHER, SPRING M8 | 4 | 0 | | |
| 22 - 25 | K0100080002 | NUT, M8 | 4 | 0 | | |
| 22 - 26 | K0331300008 | PIN, SNAP M13 | 2 | 0 | | |
| 22 - 27 | LM56GB-7102ZD | ARM, (LH) | 1 | 0 | | |
| 22 - 28 | LM56GB-7105ZD | FITTING, (LH) | 1 | 0 | | |
| 22 - 29 | LM56GB-7110ZD | PLATE, AUXILIARY | 1 | 0 | | |
| 22 - 30 | LM54G--0810B0 | ROLLER ASSY, 590 | 1 | 0 | | |



LM56GC_22_z02

| Cat No. | Code No. | Part name | Qty | | Remark | SN of application |
|---------|---------------|--------------------------------|------|------|-------------|-------------------|
| | | | LM56 | LM66 | | |
| 22 - 31 | K0861000020 | OIL SEAL, TA1542.38 | 2 | 0 | | |
| 22 - 32 | K0402042001 | RING, RETAINING R M42 | 2 | 0 | | |
| 22 - 33 | K0861000030 | OIL SEAL, 6202 | 2 | 0 | | |
| 22 - 34 | K0616062020 | BEARING, BALL SEAL 2NSEC3 6202 | 2 | 0 | | |
| 22 - 35 | K5051015280 | WASHER, C5191P 1-15-28 | 2 | 0 | | |
| 22 - 36 | K6131000060 | SHAFT, TAPPED ROLLER 651 | 1 | 0 | | |
| 22 - 37 | LM54GA-0812A0 | HOUSING, ROLLER 60 | 2 | 0 | | |
| 22 - 38 | K6226000100 | PIPE, ROLLER M55-605-60 | 1 | 0 | | |
| 22 - 39 | K0900300140 | GROMMET, W/SEALING C30SG14A | 2 | 0 | | |
| 22 - 40 | K4209001230 | DECAL, ALIGNMENT 10300 (2 PCS) | 1 | 0 | set of 2PCS | |
| | | | | | | |
| | | | | | | |
| | | | | | | |
| | | | | | | |

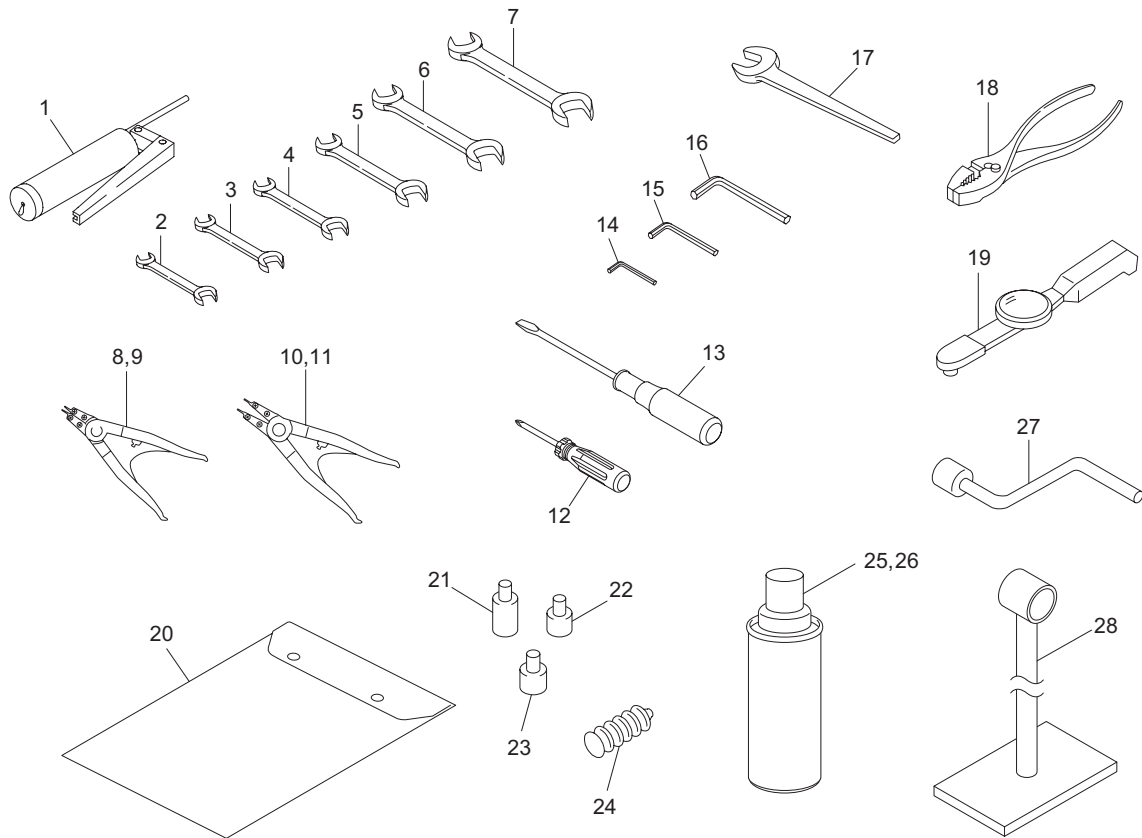


LM56GC_24_a01

| Cat No. | Code No. | Part name | Qty | | Remark | SN of application |
|---------|------------------|--|------|------|--------|-------------------|
| | | | LM56 | LM66 | | |
| 24a- 1 | K6090000072 | GAUGE, CUTTING HEIGHT | 1 | 1 | | |
| 24a- 2 | K0046060502 | SCREW, + PAN HEAD M6-50 | 1 | 1 | | |
| 24a- 3 | K0141060002 | NUT, WING M6-3 | 2 | 2 | | |
| 24a- 4 | K0046060302 | SCREW, + PAN HEAD M6-30 | 1 | 1 | | |
| 24a- 5 | K4802000120 | GAUGE, THICKNESS0.5 | 2 | 2 | | |
| 24a- 6 | | | | | | |
| 24a- 7 | | | | | | |
| 24b- 8 | K2655GX120U10 | TOOL KIT, ENGINE GX120 | 1 | 1 | | |
| 24b- 9 | PBH89216-Z0T-800 | WRENCH, SPARK PLUG | 1 | 1 | | |
| 24b- 10 | PBH89219-805-000 | BOX WRENCH, HANDLE | 1 | 1 | | |
| 24a- 11 | 750101-124-A | OWNERS OPERATING MANUAL, LM56GC SERIES | 1 | 1 | | |
| 24a- 12 | 750101-124-B | PARTS CATALOG, LM56GC SERIES | 1 | 1 | | |
| 24b- 13 | K2655GX120U01 | OPERATORS MANUAL, ENGINE GX120 | 1 | 1 | | |
| 24a- 14 | | | | | | |
| 24a- 15 | | | | | | |
| 24a- 16 | | | | | | |
| | | | | | | |
| | | | | | | |
| | | | | | | |

25. Optional tools

LM56GC•LM66GC/LM66TC



LM56GC_25_z01

| Cat No. | Code No. | Part name | Qty | | Remark | SN of application |
|---------|---------------|---------------------------------|------|------|--------|-------------------|
| | | | LM56 | LM66 | | |
| 25a- 1 | K4850000022 | GREASE GUN | 1 | 1 | | |
| 25a- 2 | K4810070082 | WRENCH, 7*8 | 1 | 1 | | |
| 25a- 3 | K4810080102 | WRENCH, 8*10 | 1 | 1 | | |
| 25a- 4 | K4810100122 | WRENCH, 10*12 | 1 | 1 | | |
| 25a- 5 | K4810130172 | WRENCH, 13*17 | 1 | 1 | | |
| 25a- 6 | K4810190222 | WRENCH, 19*22 | 1 | 1 | | |
| 25a- 7 | K4810220242 | WRENCH, 22*24 | 1 | 1 | | |
| 25a- 8 | K4802000400 | TOOL, STOP RING PLIERS ST-1 | 1 | 1 | | |
| 25a- 9 | K4802000410 | TOOL, STOP RING PLIERS ST-2 | 1 | 1 | | |
| 25a- 10 | K4802000420 | TOOL, STOP RING PLIERS RT-2 | 1 | 1 | | |
| 25a- 11 | K4802000430 | TOOL, STOP RING PLIERS RT-2N | 1 | 1 | | |
| 25a- 12 | K4820000010 | SCREWDRIVER, +/- | 1 | 1 | | |
| 25a- 13 | K4820000020 | SCREWDRIVER, - 200 | 1 | 1 | | |
| 25a- 14 | K4813020001 | SPANNER, HEX PIN 2 | 1 | 1 | | |
| 25a- 15 | K4813040001 | SPANNER, HEX PIN 4 | 1 | 1 | | |
| 25a- 16 | K4813050001 | SPANNER, HEX PIN 5 | 1 | 1 | | |
| 25a- 17 | K4811240002 | WRENCH, SINGLE HEAD 24 | 1 | 1 | | |
| 25a- 18 | K4830000032 | PLIERS, 135 | 1 | 1 | | |
| 25a- 19 | K4802000370 | TOOL, TORQUE WRENCH 6-60 | 1 | 1 | | |
| 25a- 20 | K4801000050 | BAG, TOOL (BIG) | 1 | 1 | | |
| 25a- 21 | K4802000364 | TOOL, SOCKET ADAPTER 9.5*12.7 | 1 | 1 | | |
| 25a- 22 | K4802000354 | TOOL, SOCKET ADAPTER 6.35*9.5 | 1 | 1 | | |
| 25a- 23 | K4816006130 | SOCKET, HEX 6.35-13 | 1 | 1 | | |
| 25a- 24 | K2931000400 | GREASE, EXCELITE EP NO.2 (400G) | 1 | 1 | | |
| 25a- 25 | 750301 | SPRAY, LACQUER WINE RED | 1 | 1 | | |
| 25a- 26 | 750304 | SPRAY, LACQUER DARK GRAY | 1 | 1 | | |
| 25a- 27 | K4802000382 | TOOL, LAPPING HANDLE | 1 | 1 | | |
| 25a- 28 | LM54GB-0901ZD | STAND, FOR MAINTENANCE | 1 | 1 | | |

MEMO

BARONESS[®]
Quality on Demand

 **KYOEISHA CO., LTD.**
Head Office 1-26, Miyuki-cho, Toyokawa-city, Tel :+81-533-84-1390
Aichi-pref, 442-8530 JAPAN Fax :+81-533-84-1220