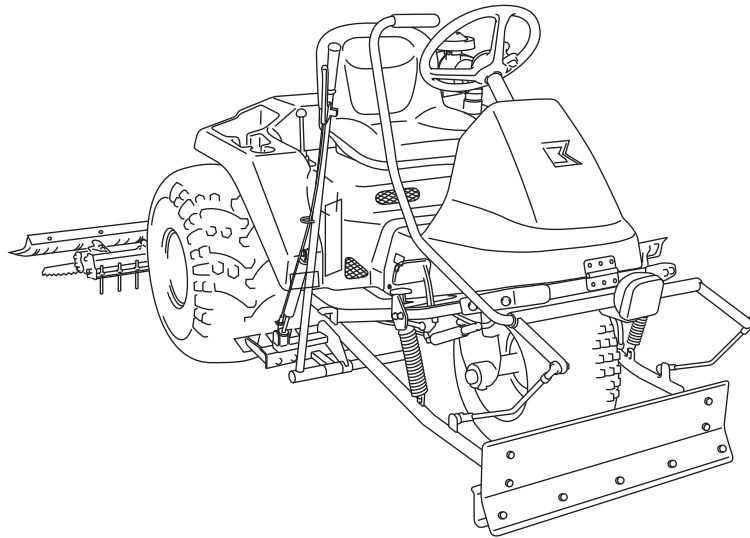


# ***SP05A***

Bunker Rake

## Owner's Operating Manual



Serial No. SP05A : 21145-

"Required reading"  
Read this manual before using the machine.

---

**BARONESS**<sup>®</sup>  
Quality on Demand

Original Instructions Ver.2.0

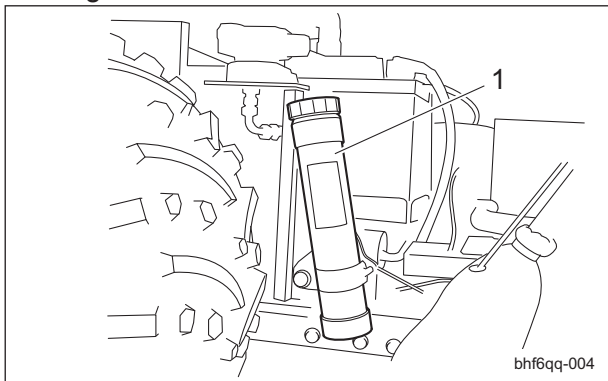
# Greeting

---

Thank you for purchasing the Baroness product. This manual describes the proper handling, adjustment, and inspection of your product. We hope you will use the product safely, and take advantage of its best performance.

## Keeping The Owner's Operating Manual

Keep this Owner's Operating Manual in the box on the right side of the seat.



Keeping The Owner's Operating Manual\_001

1	Box
---	-----

Read this manual carefully to ensure that you thoroughly understand how to properly operate and maintain the product, and to avoid causing injury to yourself or others.

The operator is responsible for operating the product properly and safely.

Maintenance service for this machine should be performed by a mechanic with expertise.

If you have any questions concerning maintenance or genuine parts, please contact a Baroness dealer or Kyoisha.






When making inquiries about the product, please specify the product's model designation and serial number.

When loaning or transferring the product, please also provide this manual together with the product.

Kyoisha Co., Ltd.

## Warning Symbols


This manual uses the following warning symbols for handling precautions that are important for your safety.

 <p>696cq5-001</p>	<p>Warning symbol</p>
<p>This symbol indicates the articles regarding “Danger,” “Warning,” or “Caution.” Those articles describe important safety precautions and so read them carefully to understand completely before operating the machine. Failure to adequately follow these safety precautions may cause an accident.</p>	
<p> <b>Danger</b></p> <p>This symbol indicates that serious injury or death will occur if the warning is ignored.</p> <p> <b>Warning</b></p> <p>This symbol indicates that serious injury or death may occur if the warning is ignored.</p> <p> <b>Caution</b></p> <p>This symbol indicates that injury or damage to property may occur if the warning is ignored.</p> <p> <b>Important</b></p> <p>This symbol indicates precautions on the mechanism of the machine.</p>	

# Introduction

---

## Precautionary Statement

 Caution

The information described in this manual is subject to change for improvement without prior notice.

When replacing parts, be sure to use genuine Baroness parts or parts designated by Kyoisha.

Note that the Baroness product warranty may not apply to defects caused by the use of parts from other companies.

Prior to use, carefully read the following manuals to thoroughly understand the contents for safe and correct operation.

- Baroness Owner's Operating Manual
- The Engine's Owner's Manual
- The Battery's Owner's Manual

## Purpose

This product is intended for leveling bunkers at golf courses.

Do not use this product in any other way than its intended purpose, and do not modify the product.

Operating this product for other purposes and modifying it may be very dangerous and may cause damage to the machine.

In addition, this product is not authorized for operation as a special motor vehicle. Do not operate it on public roads.

<b>Safety</b> .....	<b>Page 1-1</b>
Safe Operating Practices .....	Page 1-2
<b>Disposal</b> .....	<b>Page 2-1</b>
Recycle and Waste Disposal .....	Page 2-2
<b>Product Overview</b> .....	<b>Page 3-1</b>
Specifications .....	Page 3-2
Names of Each Section .....	Page 3-4
Regulation Decals .....	Page 3-4
Safety Signs and Instruction Signs .....	Page 3-6
<b>Handling Instructions</b> .....	<b>Page 4-1</b>
Inspections .....	Page 4-2
Tightening Torques .....	Page 4-12
Adjustment before Work .....	Page 4-16
Procedure to Start/Stop Engine .....	Page 4-19
Operation Method .....	Page 4-20
Instruments .....	Page 4-27
Move .....	Page 4-28
Operations .....	Page 4-29
Transporting .....	Page 4-33
Storage .....	Page 4-33
<b>Maintenance</b> .....	<b>Page 5-1</b>
Maintenance Precautions .....	Page 5-2
Maintenance Schedule .....	Page 5-3
Jacking Up The Machine .....	Page 5-5
Greasing .....	Page 5-6
Lubrication .....	Page 5-9
Maintenance Work .....	Page 5-9

SP05A

# Contents

---

**Safe Operating Practices ..... Page 1-2**

Training ..... Page 1-2

Preparation ..... Page 1-2

Operation ..... Page 1-3

Maintenance ..... Page 1-4

Storage ..... Page 1-4



# Safety

Failure to adequately follow these safety precautions may cause an accident resulting in injury or death.

## Danger

This product is designed to ensure safe operation and has been tested and inspected thoroughly before shipment from the factory. The product is equipped with safety devices to prevent accidents.

However, whether the product demonstrates its original performance level depends on the manner in which it is operated and handled, as well as the manner in which it is managed on a daily basis.

Inappropriate use or management of the product may result in injury or death.

Observe the following safety instructions to ensure safe operation.

## Safe Operating Practices

### Training

1. Read this manual and other training material carefully.

Be familiar with the controls, safety signs, and the proper use of the equipment.

2. If the operator or mechanic can not read the language used in this manual, it is the owner's responsibility to explain this material to them.

3. All operators and mechanics should seek and obtain professional and practical instruction.

The owner is responsible for training the users.

Such instruction should emphasize:

- [1] The need for care and concentration when working with ride-on machines.

- [2] Control of a ride-on machine sliding on a slope will not be regained by the application of the brake.

The main reasons for loss of control are

- Insufficient wheel grip
- Being driven too fast
- Inadequate braking
- The type of machine is unsuitable for its task
- Lack of awareness of the effect of ground conditions, especially slopes
- Incorrect hitching and load distribution

4. Never allow children or people unfamiliar with these instructions to use or service the machine.

Local regulations may restrict the age of the operator.

5. The owner/user can prevent and is responsible for accidents or injuries occurring to themselves, other people, or property.
6. Keep in mind that the owner, operator, and mechanic are responsible for accidents or hazards occurring to other people or their property.
7. You can find additional safety information where needed throughout this manual.
8. Determine the left and right sides of the machine from the normal operating position.

### Preparation

1. Evaluate the terrain to determine what accessories and attachments are needed to properly and safely perform the job. Only use accessories and attachments approved by the manufacturer.
2. While operating, always wear substantial footwear, long trousers, hard hat, safety glasses, mask, and ear protection. Long hair, loose clothing, or jewelry may get tangled in moving parts. Do not operate the equipment when barefoot or wearing open sandals.
3. Inspect the area where the equipment is to be used and remove all objects such as rocks, toys and wire which can be thrown by the machine.
4. Keep children out of the operating area and under the watchful care of a responsible adult other than the operator.
5. Exercise care in the handling of fuel.

## Warning

Fuel is highly flammable.

Take the following precautions:

- [1] Store fuel in containers specifically designed for this purpose.
- [2] Add fuel before starting the engine. Never remove the cap of the fuel tank or add fuel while the engine is running or when the engine is hot.
- [3] Refuel outdoors only and do not smoke while refueling.



- [4] If fuel is spilled, do not attempt to start the engine but move the machine away from the area of spillage and avoid creating any source of ignition until petrol vapours have dissipated;
- [5] Replace all fuel tanks and container caps securely.
- 6. Check that operator's presence controls, safety switches and shields are attached and functioning properly.  
Do not operate unless they are functioning properly.
- 7. If the brake operation is faulty, be sure to adjust or repair them before operating the machine.
- 8. Replace faulty mufflers.

### Operation

- 1. Do not operate the machine under the influence of alcohol or drugs.
- 2. Do not operate the engine in a confined space where dangerous carbon monoxide fumes can collect.
- 3. Be sure all drives and shift are in neutral and parking brake is engaged before starting engine.  
Only start engine from the operator's position.  
Use seat belts if provided.
- 4. Do not change the engine governor settings or overspeed the engine.  
Operating the engine at excessive speed may increase the hazard of personal injury.
- 5. Never operate the machine with damaged guards, shields, or without safety protective devices in place.  
Be sure all interlocks are attached, adjusted properly, and functioning properly.
- 6. Keep hands and feet away from the rotating parts.
- 7. Do not carry passengers.
- 8. Never operate while people, especially children, or pets are nearby.
- 9. Only operate in good light, keeping away from holes and hidden hazards.
- 10. Do not operate the machine when there is the risk of lightning.
- 11. Do not stop or start suddenly.
- 12. Look behind and down before backing up to be sure of a clear path.

- 13. Slow down and use caution when making turns and crossing roads and sidewalks.
- 14. Use care when approaching blind corners, shrubs, trees, or other objects that may obscure vision.
- 15. Do not take your eyes off the road ahead.  
Do not operate the machine with no hands.
- 16. Remember there is no such thing as a safe slope.  
Travel on grass slopes requires particular care.  
To guard against overturning, follow these instructions.
  - [1] Do not stop or start suddenly when going up or downhill.
  - [2] Engage clutch slowly, always keep machine in gear, especially when traveling downhill.
  - [3] Machine speeds should be kept low on slopes and during turns.
  - [4] Stay alert for humps and hollows and other hidden hazards.
- 17. Never use the machine on a slope with an angle of gradient that is greater than that specified or in a place where there is a danger of the machine slipping.
- 18. Use extra care while operating machine with a grass catcher or other attachments.  
They can affect the stability of the machine.
- 19. Do the following before leaving the operator's position.
  - [1] Stop on level ground.
  - [2] Set the parking brake.
  - [3] Stop the engine.
  - [4] Remove the ignition key.
- 20. Stop the engine in the following conditions.
  - [1] Before refuelling.
  - [2] Before making height or depth adjustment unless adjustment can be made from the operator's position.
  - [3] Before checking, cleaning or working on the machine.
  - [4] After striking a foreign object or if an abnormal vibration occurs.  
Inspect the machine for damage and make repairs before restarting and operating the equipment.
- 21. Reduce the throttle setting during engine run-out.

# Safety

---

22. Take care when loading or unloading the machine into a trailer or a truck.  
Load or unload the machine in a flat and safe place.  
Before loading or unloading, set the parking brake on the truck or trailer, stop the engine, and chock the wheels.  
When transporting the machine on a truck or a trailer, set the parking brake, stop the engine, and fasten the machine to the truck with a rope or other suitable restraining device that has sufficient strength.  
When using a running board, select one with sufficient strength, length, and width and that will not cause the machine to slip.
23. Close the fuel valve before transporting the machine.

## Maintenance

1. Never allow untrained personnel to service machine.
2. Implement the following work before adjusting, cleaning or repairing.
  - [1] Stop the machine on level ground.
  - [2] Set the parking brake.
  - [3] Stop the engine.
  - [4] Remove the ignition key.
  - [5] Wait for all movement to stop.
3. Allow the engine/muffler to cool before checking/maintenance.
4. To reduce the fire hazard, keep hot parts such as the engine and silencer/muffler, battery compartment and fuel storage area free of grass, leaves, or excessive grease. Clean up oil or fuel spillage.
5. Appropriately manage and correctly use the tools necessary for servicing or adjusting the machine.
6. Disconnect battery before making any repairs.  
Disconnect the negative terminal first and the positive last.  
Reconnect positive first and negative last.
7. Use jack stands to support components when required.
8. Keep hands and feet away from moving parts.  
If possible, do not make adjustments with the engine running.
9. Make sure that parts such as wires are not touching each other and that their covers have not come off.
10. Keep all parts in good working condition and all hardware tightened.  
Replace all worn or damaged decals.
11. Keep all nuts, bolts and screws tight to be sure the equipment is in safe working condition.
12. Carefully release pressure from components with stored energy.
13. Be sure to depressurize the hydraulic system before performing maintenance operations on it such as removing hydraulic equipment.
14. Check whether line connectors in the hydraulic system are properly tightened.  
Before applying hydraulic pressure, check the connections of the hydraulic pressure lines and the condition of the hoses.
15. When checking the hydraulic circuit for pinhole leaks or oil leakage from nozzles, do not use your hands.  
Use items such as paper or corrugated cardboard to find leakage points.  
Be extremely careful with high-pressure oil as it may pierce your skin, resulting in an injury.  
If fluid is injected into the skin it must be surgically removed within a few hours by a doctor familiar with this form of injury or gangrene may result.
16. Charge batteries in an open well ventilated area, away from spark and flames.  
Unplug charger before connecting or disconnecting from battery.  
Wear protective clothing and use insulated tools.
17. If the fuel tank has to be drained, do this outdoors.

## Storage

1. Allow the engine to cool before storing in any enclosure.
2. Only cover the machine with a sheet after hot parts have sufficiently cooled down.
3. Never store the equipment with fuel in the tank inside a building where fumes may reach an open flame or spark.
4. If the engine is provided with a shut-off valve, shut off valve while storing or transporting.

5. Do not store fuel near flames.



**Recycle and Waste Disposal ..... Page 2-2**

About Recycle .....Page 2-2

About Waste Disposal ..... Page 2-2

Disposal

# Disposal

---

## Recycle and Waste Disposal

### About Recycle

Recycling battery etc. is recommended for environmental conservation and economical use of resources.

It may be required by local laws.

### About Waste Disposal

Make sure that waste generated when servicing or repairing the machine is disposed of in accordance with local regulations. (e.g. waste oil, antifreeze, rubber products, and wires etc.)

**Specifications ..... Page 3-2**

Specifications .....Page 3-2

Sound Pressure Level ..... Page 3-3

Sound Power Level ..... Page 3-3

Vibration Level .....Page 3-3

Carbon Dioxide (CO<sub>2</sub>) Emissions  
Measurement .....Page 3-3**Names of Each Section ..... Page 3-4****Regulation Decals .....Page 3-4**

Positions of Regulation Decals ..... Page 3-4

Description of Regulation Decals ..... Page 3-5

**Safety Signs and Instruction Signs ..... Page 3-6**About Safety Signs and Instruction  
Signs .....Page 3-6Positions of Safety Decals and  
Instruction Decals ..... Page 3-6Description of Safety Decals and  
Instruction Decals ..... Page 3-7

# Product Overview

## Specifications

### Specifications

Model			SP05A (2WD)		SP05A (3WD)	
Dimensions	Total length	with Rake and Blade	84.65 in	215 cm	←	
		with Blade	90.55 in	230 cm	←	
	Total width		74.80 in	190 cm	←	
	Total height		47.24 in	120 cm	←	
Weight	Machine (empty fuel tank)	with Rake	987.65 lb	448 kg	1047.18 lb	475 kg
	Blade		55.11 lb	25 kg	←	
	Cultivator		41.89 lb	19 kg	←	
	Finishing brush		23.37 lb	10.6 kg	←	
Minimum turning radius			133.46 in	339 cm	←	
Engine	Model		Vanguard 356447		←	
	Type		Air-cooled 4-cycle gasoline engine		←	
	Total displacement		34.78 cu.in.	570 cm <sup>3</sup> (0.57 L)	←	
	Maximum output		13.2 kW (18.0 PS)/3,600 rpm		←	
Fuel tank capacity			Gasoline 3.96 U.S.gal.	Gasoline 15.0 dm <sup>3</sup> (15.0 L)	←	
Fuel consumption			228 g/PS · h (rated output)	310 g/kW · h (rated output)	←	
Engine oil capacity			0.42 U.S.gal.	1.6 dm <sup>3</sup> (1.6 L)	←	
Coolant volume			-		←	
Hydraulic tank capacity			3.96 U.S.gal.	15.0 dm <sup>3</sup> (15.0 L)	←	
Operating width	Rake		74.80 in	190 cm	←	
	Blade		31.50 in	80 cm	←	
	Cultivator		45.67 in	116 cm	←	
	Finishing brush		76.77 in	195 cm	←	
Drive	Traveling		HST 2WD[3WD(2WD/3WD selectable)]		←	
	Operating		-		←	
Speed (HST)	Forward		0 - 9.94 mph	0 - 16.0 km/h	0 - 7.96 mph	0 - 12.8 km/h
	Reverse		0 - 3.73 mph	0 - 6.0 km/h	0 - 2.98 mph	0 - 4.8 km/h
Speed (Mechanical)			-		←	
Efficiency			-		←	
Maximum inclination for operation			15 degrees		←	
Tire size	Front wheel		PD21 x 11.00 - 10		←	
	Rear wheel		25 x 13.00 - 9		←	
Tire pneumatic pressure	Front wheel		10.15 psi	70 kPa (0.7 kgf/cm <sup>2</sup> )	←	
	Rear wheel		5.80 psi	40 kPa (0.4 kgf/cm <sup>2</sup> )	←	
Battery			46B19R		←	



Engine plug	PLUG, CHAMPION XC92YC	←
-------------	-----------------------	---

The factory default maximum engine rpm is 3,000 rpm.

### Sound Pressure Level

#### Sound Pressure Level

This machine was confirmed to have a continuous A-weighted sound pressure level of 84 dB by measuring identical machines in accordance with the procedure specified in ISO5395-1:2013.

### Sound Power Level

#### Sound Power Level

This machine was confirmed to have a sound power level of 98 dB by measuring identical machines in accordance with the procedure specified in ISO5395-1:2013.

### Vibration Level

#### Hand-Arm Vibration

This machine was confirmed not to exceed a vibration level of 2.5 m/s<sup>2</sup> to hands and arms by measuring identical machines in accordance with the procedure specified in ISO 5395-1:2013.

#### Whole Body Vibration

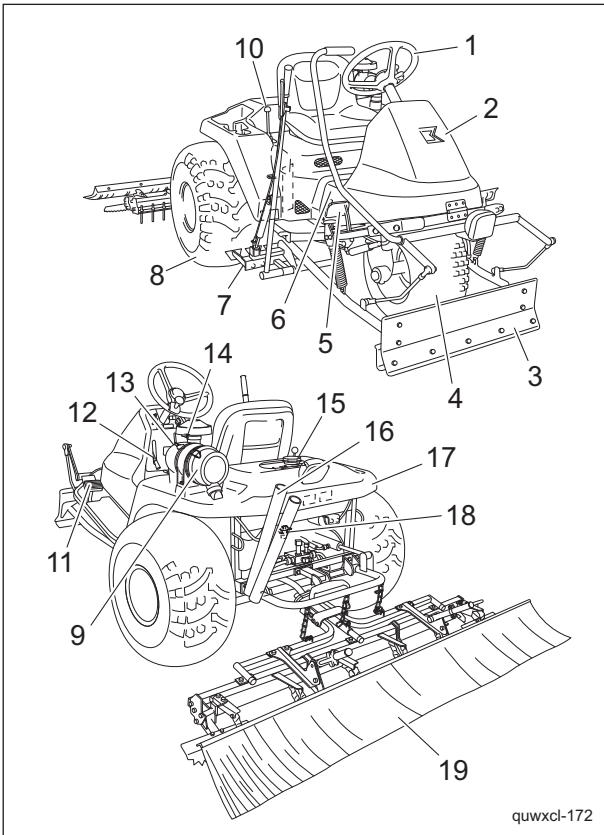
This machine was confirmed not to exceed a vibration level of 0.5 m/s<sup>2</sup> to the whole body by measuring identical machines in accordance with the procedure specified in ISO 5395-1:2013.

### Carbon Dioxide (CO<sub>2</sub>) Emissions Measurement

For CO<sub>2</sub> emissions measurement on the engine of this machine, refer to the engine's owner's manual.

# Product Overview

## Names of Each Section

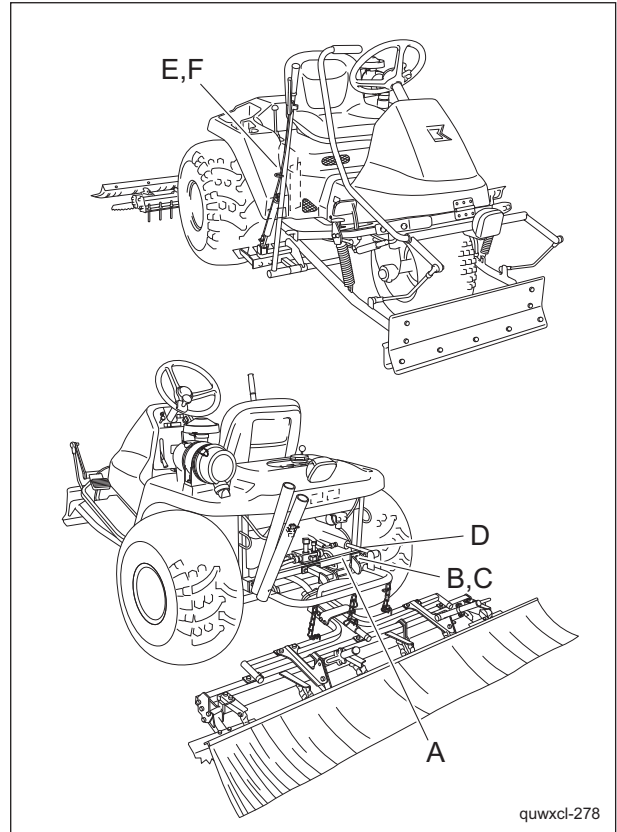


Names of Each Section\_001

1	Steering wheel
2	Front cover
3	Blade (option)
4	Front tire
5	Traveling pedal
6	Oil gauge
7	Cultivator (option)
8	Rear tire
9	Air cleaner
10	2WD/3WD selector lever (3WD specifications)
11	Brake pedal
12	Tilt lever
13	Throttle lever
14	Up/down lever
15	Fuel filler
16	Broom holder
17	Rear cover
18	Fuel cock
19	Finishing brush (option)

## Regulation Decals

### Positions of Regulation Decals



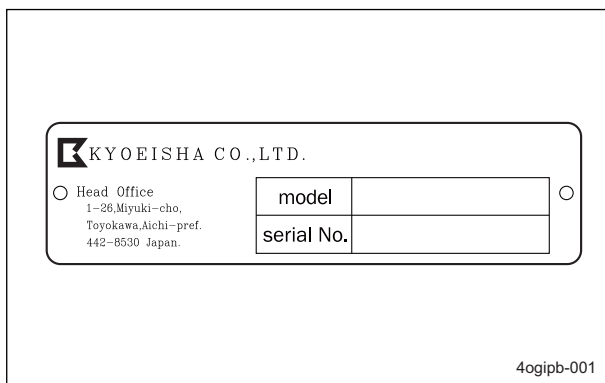
Positions of Regulation Decals\_001

A	Serial number plate
B	Specification decal
C	UKCA mark
D	Year of manufacture decal
E	Battery capacity decal
F	Recycle decal

## Description of Regulation Decals

### Serial Number Plate

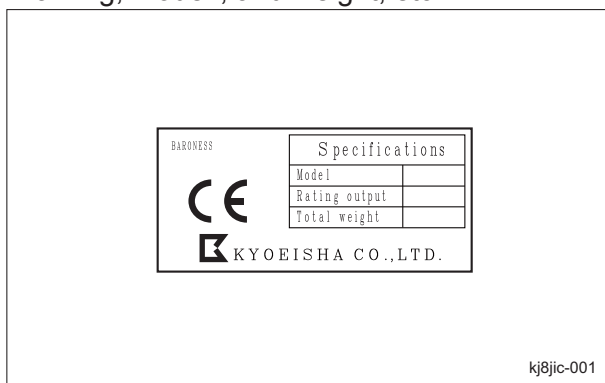
The serial number plate indicates the model and serial number of the machine.



Serial Number Plate\_001

### Specification Decal

(For Europe)  
 CE mark indicates that the machine sold in the EU nations complies with the EU requirements.  
 The Specification decal indicates the CE marking, model, and weight, etc.



Specification Decal\_001

### UKCA Mark

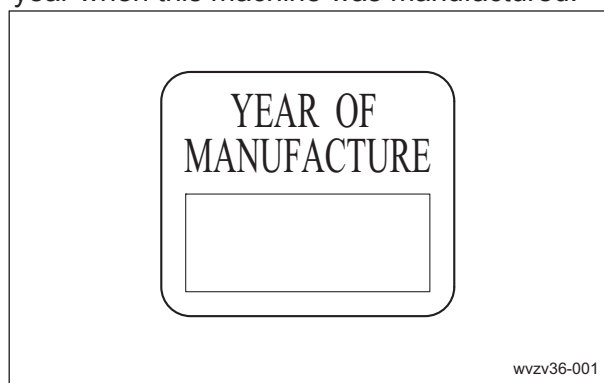
(For UK)  
 UKCA mark indicates that the machine sold in the UK complies with the UK requirements.



UKCA Mark\_001

### Year of Manufacture Decal

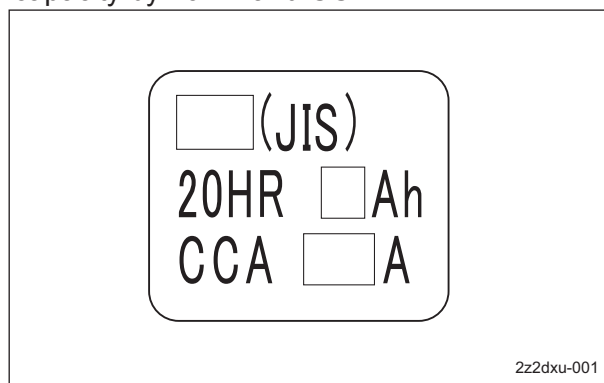
(For Europe)  
 The year of manufacture decal indicates the year when this machine was manufactured.



Year of Manufacture Decal\_001

### Battery Capacity Decal

(For Europe)  
 The battery capacity decal indicates the capacity by 20HR and CCA.

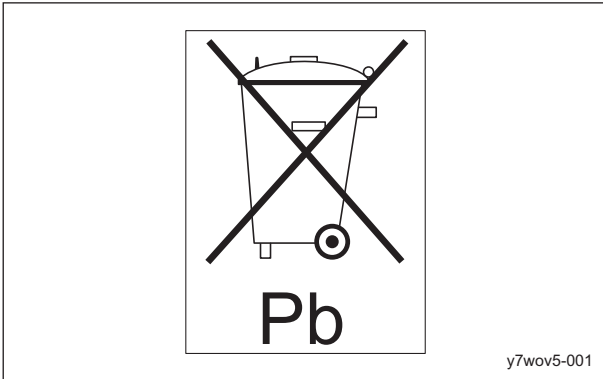


Battery Capacity Decal\_001

# Product Overview

## Recycle Decal

Recycle Decal illustrates Recycle Mark in accordance with local regulation.  
(For Europe)



Recycle Decal\_001

(For USA)



Recycle Decal\_002

## Safety Signs and Instruction Signs

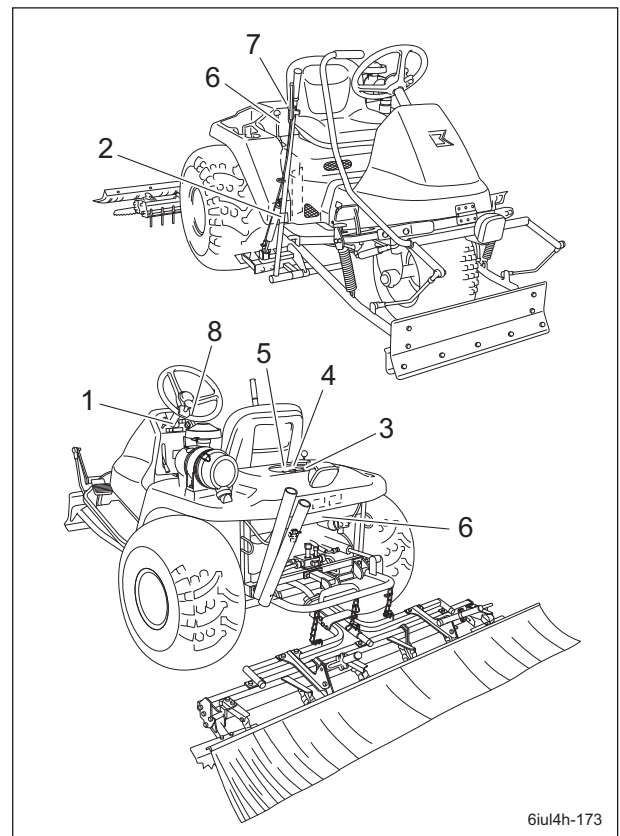
### About Safety Signs and Instruction Signs

#### Important

Safety decals and instruction decals are attached to this product. Make sure that they are preserved in their entirety. If they are damaged, become dirty, or peel off, replace them with new ones.

Part numbers for decals that need to be replaced are listed in the parts catalog. Order them from a Baroness dealer or Kyoisha.

### Positions of Safety Decals and Instruction Decals



Positions of Safety Decals and Instruction Decals\_001

1	Operation decal
2	Caution to getting pinched decal
3	Caution exhaust gas decal
4	Lead-free gasoline decal
5	Fire prohibited decal
6	Caution to getting entangled decal
7	Caution for high temperatures decal
8	Caution to noise decal

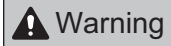
# Product Overview

## Description of Safety Decals and Instruction Decals

### Operation Decal

SP05---0560C0  
Sticker, operation

1.



Read the Owner's Operating Manual.

2.



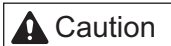
Apply the parking brake, stop the engine, remove the ignition key, and then leave the machine.

3.

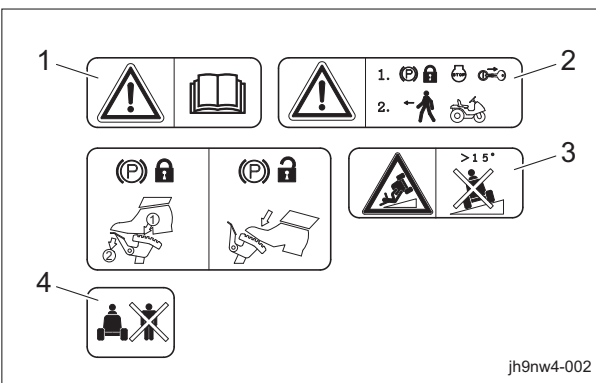


Rollover - Do not work on slopes of 15 degrees or more. When you descend a slope, drive at low speed.

4.



Flying objects - Be sure that people around the machine keep a safe distance away.



Operation Decal\_001

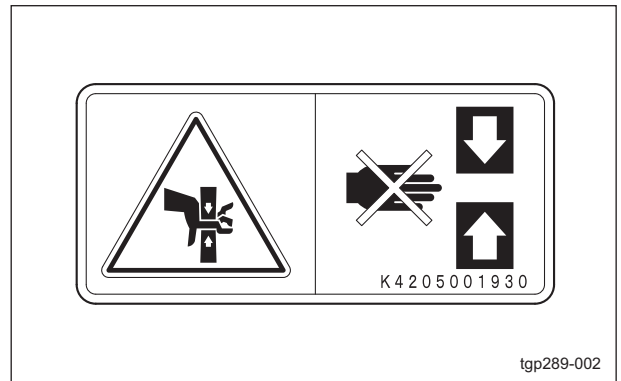
### Caution to Getting Pinched Decal

K4205001930

Decal, caution to getting pinched



May pinch - There is a risk of being pinched.



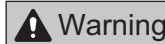
tgp289-002

Caution to Getting Pinched Decal\_001

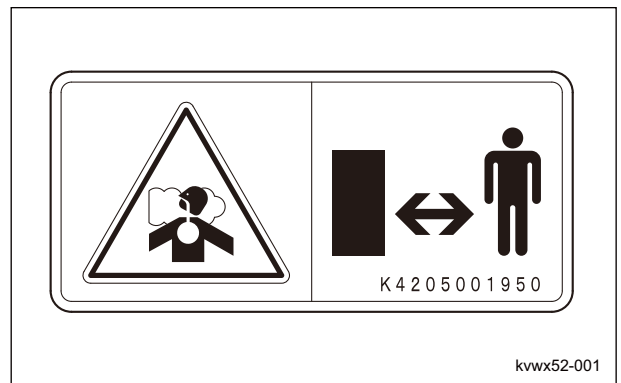
### Caution Exhaust Gas Decal

K4205001950

Decal, caution exhaust gas



Caution for exhaust gas



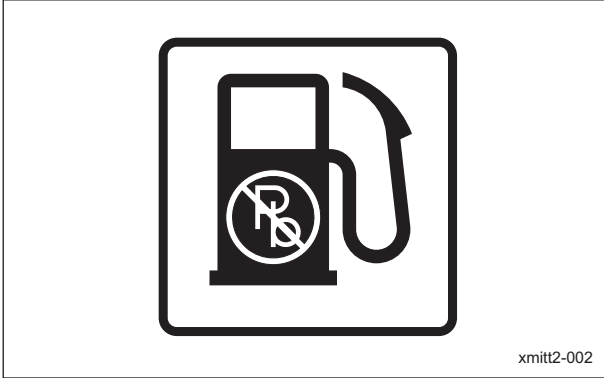
kvwx52-001

Caution Exhaust Gas Decal\_001

# Product Overview

## Lead-Free Gasoline Decal

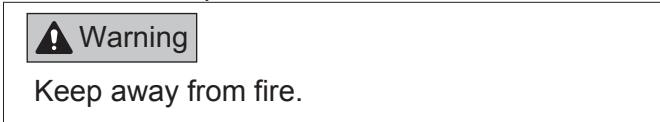
K4209001310  
Decal, lead-free gasoline  
Use lead-free gasoline.



Lead-Free Gasoline Decal\_001

## Fire Prohibited Decal

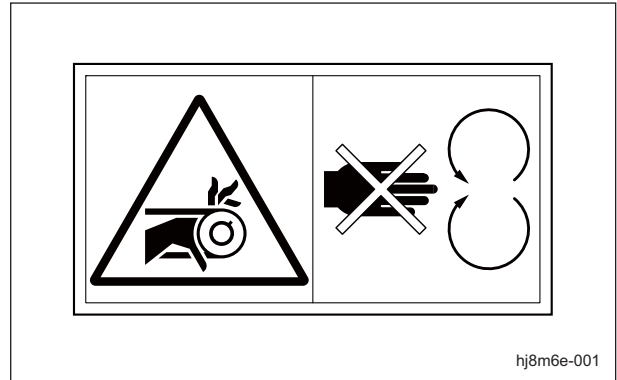
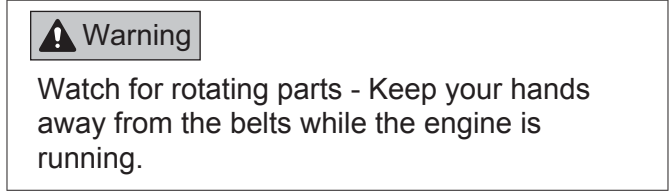
K4205001940  
Decal, fire prohibited



Fire Prohibited Decal\_001

## Caution to Getting Entangled Decal

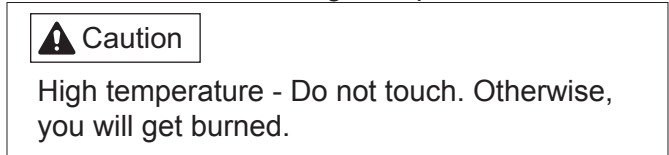
K4205001910  
Decal, caution to getting entangled



Caution to Getting Entangled Decal\_001

## Caution for High Temperatures Decal

K4205001920  
Decal, caution for high temperatures



Caution for High Temperatures Decal\_001

## Caution to Noise Decal

K4205002090

Decal, caution to noise



Caution to Noise Decal\_001

# Product Overview

---



# Handling Instructions

<b>Inspections</b> .....	<b>Page 4-2</b>	Warning Mechanisms .....	Page 4-20
Rake .....	Page 4-2	<b>Operation Method</b> .....	<b>Page 4-20</b>
Blade .....	Page 4-2	Cautions for when You Leave The Machine .....	Page 4-20
Cultivator .....	Page 4-3	Positions of Operation Decals .....	Page 4-20
Finishing Brush .....	Page 4-3	Description of Operation Decals .....	Page 4-21
Cover .....	Page 4-3	Throttle Lever .....	Page 4-23
Oil Cooler .....	Page 4-3	Choke Lever .....	Page 4-23
Hydraulic Oil .....	Page 4-4	Up/Down Switch Lever .....	Page 4-23
Hydraulic Hoses .....	Page 4-5	2WD/3WD Selector Lever .....	Page 4-24
Air Cleaner .....	Page 4-5	Light Switch .....	Page 4-24
Battery .....	Page 4-6	Traveling Pedal .....	Page 4-24
Electrical Wiring .....	Page 4-7	Brake Pedal .....	Page 4-25
Tire .....	Page 4-7	Front Cover .....	Page 4-25
Brake .....	Page 4-7	Rear Cover .....	Page 4-26
Belt .....	Page 4-8	Broom Holder .....	Page 4-26
Wire .....	Page 4-8	Cargo Box .....	Page 4-27
Steering Wheel .....	Page 4-8	<b>Instruments</b> .....	<b>Page 4-27</b>
Safety Device .....	Page 4-8	Instruments on The Operation Panel ...	Page 4-27
Around The Engine .....	Page 4-8	Hour Meter .....	Page 4-27
Engine Oil .....	Page 4-8	<b>Move</b> .....	<b>Page 4-28</b>
Fuel .....	Page 4-9	Traveling Procedure .....	Page 4-28
Fuel Filter .....	Page 4-10	Towing The Machine .....	Page 4-28
Fuel Strainer .....	Page 4-11	<b>Operations</b> .....	<b>Page 4-29</b>
Oil Leakage .....	Page 4-11	Rake .....	Page 4-29
<b>Tightening Torques</b> .....	<b>Page 4-12</b>	Blade .....	Page 4-30
Standard Tightening Torques .....	Page 4-12	Cultivator .....	Page 4-31
Principal Tightening Torques .....	Page 4-15	Finishing Brush .....	Page 4-32
<b>Adjustment before Work</b> .....	<b>Page 4-16</b>	<b>Transporting</b> .....	<b>Page 4-33</b>
Adjustment of Steering Wheel .....	Page 4-16	Transporting Procedure .....	Page 4-33
Adjustment of Seat .....	Page 4-16	<b>Storage</b> .....	<b>Page 4-33</b>
Adjustment of Speed Adjustment Plate .....	Page 4-17	Before Long-Term Storage .....	Page 4-33
Adjustment of Rake .....	Page 4-17		
Adjustment of Blade .....	Page 4-18		
Adjustment of Finishing Brush .....	Page 4-18		
<b>Procedure to Start/Stop Engine</b> .....	<b>Page 4-19</b>		
Start/Stop of Engine .....	Page 4-19		
Safety Mechanisms .....	Page 4-20		

# Handling Instructions

## Inspections

Inspect the machine according to the maintenance schedule so that you will be able to take advantage of its optimum performance for a long period of time.

### Rake

#### Inspection of Rake

Due to frequent use or damage caused during use or transportation, tracks, such as from tires, may remain after use.

Inspect, and if necessary, repair or replace.

**Caution**

Wear gloves when touching a fork prong bar.

1. Make sure that the rake pipe is not bent.
2. Make sure that the cross-link chain is not twisted or worn.
3. Make sure that the rake shaft is not worn.
4. Make sure that the center shaft of the fulcrum swing fitting is not worn.
5. Make sure that a spring pin is not missing from the rake shaft.
6. Make sure that a hardened flat-head pin on the rake hanging arm is not worn.
7. Make sure that the plate springs are not cracked or bent.
8. Make sure that a spring pin is not missing from the rake fulcrum fitting.
9. Make sure that the rake mounting bracket is not bent.
10. Make sure that the smoother plate is not bent, cracked or unevenly worn.
11. Make sure that the warp board is not bent, cracked or worn.
12. Make sure that the fork prong bar is not bent or worn.

### Blade

#### Inspection of Blade

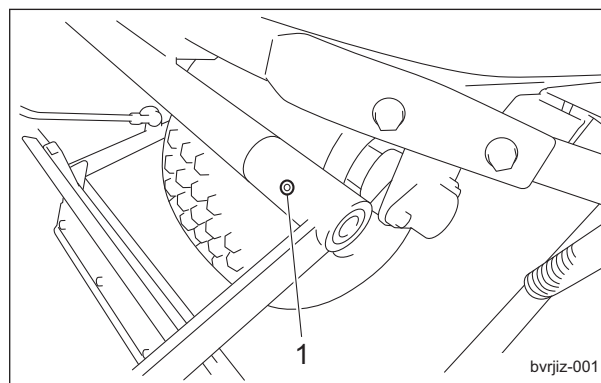
Note:

Depending on the specifications, this function may not be available.

Due to frequent use or damage caused during use or transportation, it may become difficult to move sand around.

Inspect, and if necessary, repair or replace.

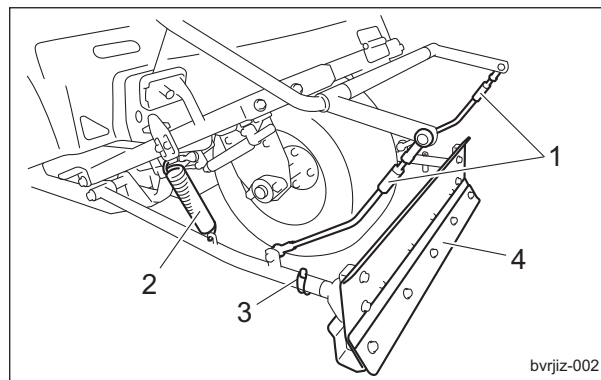
1. Make sure that the spring pin is not missing from the lever arm.



Inspection of Blade\_001

1	Spring pin
---	------------

2. Make sure that the connecting shaft is not bent.
3. Make sure that the hook spring is not bent or stretched.
4. Make sure that a delta pin is not missing.
5. Make sure that the small blade is not bent, cracked or worn.



Inspection of Blade\_002

1	Connecting shaft
2	Hook spring
3	Delta pin
4	Small blade

# Handling Instructions

## Cultivator

### Inspection of Cultivator

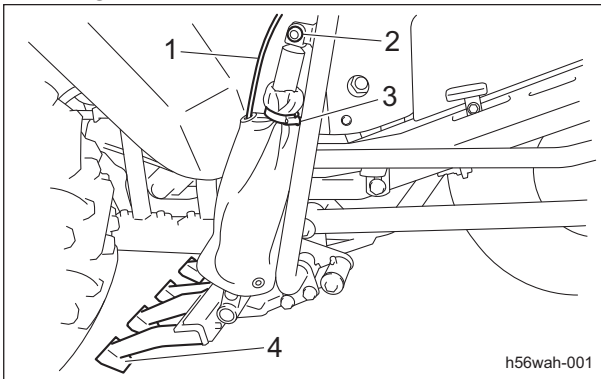
**Note:**

Depending on the specifications, this function may not be available.

Due to frequent use or damage caused during use or transportation, it may become difficult to adjust the sand depth.

Inspect, and if necessary, repair or replace.

1. Make sure that the cultivator wire is not broken.
2. Make sure that the free lock pin is not missing.
3. Make sure that the parker clamp is not loose.
4. Make sure that the trapezoidal cultivator fitting is not worn.



Inspection of Cultivator\_001

1	Cultivator wire
2	Free lock pin
3	Parker clamp
4	Trapezoidal cultivator fitting

## Finishing Brush

### Inspection of Finishing Brush

**Note:**

Depending on the specifications, this function may not be available.

Due to frequent use or damage caused during use or transportation, the rake may leave tracks.

Inspect, and if necessary, repair or replace.

1. Make sure that the brush mounting frame is not bent.
2. Make sure that the brush is not bent or excessively worn.

## Cover

### Inspection of Covers

**Caution**

If you have removed a protective cover during inspection, be sure to securely install it in its original position.

If a protective cover remains removed, foreign objects may fly off, possibly resulting in injuries.

1. Make sure that there is no wear or deterioration of protective covers.
2. Make sure that there is no damage to protective covers.
3. Make sure that there is no interference with moving parts due to deformation of protective covers.
4. Make sure that protective covers are installed in their appropriate positions.

## Oil Cooler

### Inspection of Oil Cooler

1. Make sure that there is no damage to the oil cooler.
2. Make sure that the oil cooler is not contaminated.

### Cleaning of Oil Cooler

**Important**

An unclean oil cooler may cause malfunction of the hydraulic system.

**Important**

Do not use solid objects, such as a spatula or screwdriver, or high-pressure water to clean the radiator or oil cooler.

Otherwise, special fins or tubes may be damaged, possibly resulting in reduced cooling performance or hydraulic oil leakage.

If the oil cooler has been contaminated with dust, be sure to clean it.

After operating the machine in a dusty environment, it is important to remove dust as soon as possible.

1. Open the rear cover.

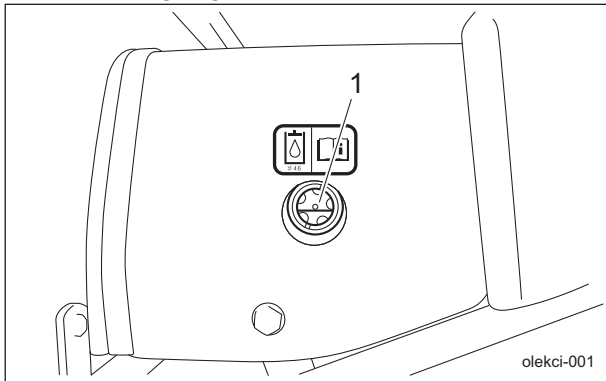
# Handling Instructions

- Carefully clean the front and back of the oil cooler with water or compressed air.

## Hydraulic Oil

### Inspection of Hydraulic Oil

- Raise the rake and maintain that position on a level surface.
- Make sure that the oil level is at the middle of the oil gauge.



Inspection of Hydraulic Oil\_001

1	Oil gauge
---	-----------

- Check underneath the machine for oil leakage.

### Hydraulic Oil Supply

**Important**

Do not mix different types of oil.

**Important**

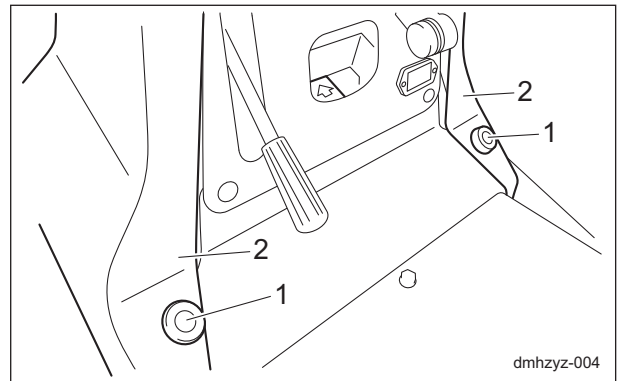
Use Shell Tellus S2V32 (or equivalent) as hydraulic oil. In case of an equivalent, consult Characteristics of Hydraulic Oil and use hydraulic oil whose characteristics are superior to those of the specific hydraulic oil. Especially regarding kinematic viscosity and viscosity index, use of hydraulic oil whose figures are less than those of the specified hydraulic oil will cause a malfunction in the hydraulic circuit.

**Note:**

### Characteristics of Hydraulic Oil

Specified Hydraulic Oil		Shell Tellus S2V32
ISO Viscosity Grade		ISO VG32
Density	15 °C (59 °F)	0.869 g/cm <sup>3</sup> (0.0313 lb/in <sup>3</sup> )
API Gravity		31.3
Flash Point (Open Cup)		202 °C (396 °F)
Pour Point		-40 °C (-40 °F)
Kinematic Viscosity	40 °C (104 °F)	32 mm <sup>2</sup> /s (32 cSt)
	100 °C (212 °F)	6.1 mm <sup>2</sup> /s (6.1 cSt)
Viscosity Index		141

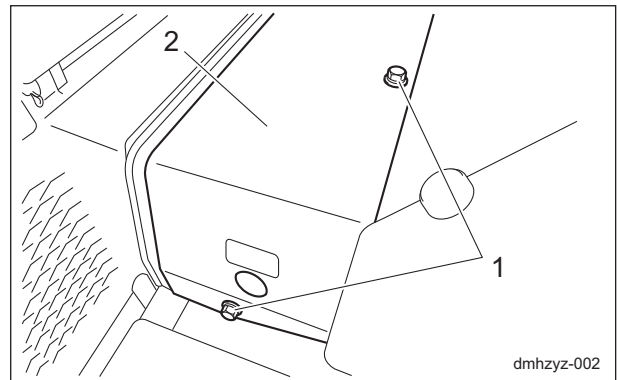
- Remove the dimple knobs, and then open the front cover.



Hydraulic Oil Supply\_001

1	Dimple knobs
2	Front cover

- Remove the bolts, and then remove the cover.

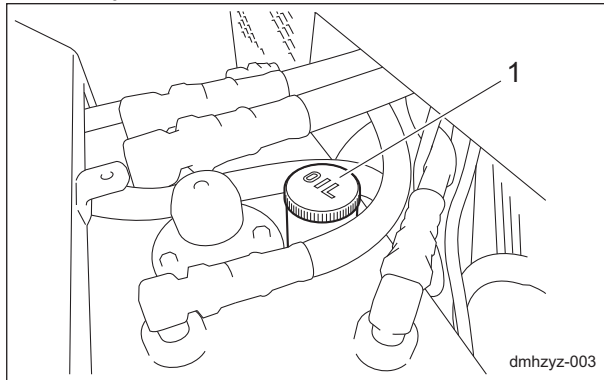


Hydraulic Oil Supply\_002

1	Bolt
2	Cover

# Handling Instructions

- If the oil level is low, open the tank cap and supply oil.



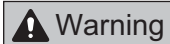
Hydraulic Oil Supply\_003

1	Tank cap
---	----------

- Start the engine, raise and lower the rake, and repeatedly move forward and backward several times with the rake raised.
- Raise the rake and maintain that position on a level surface, and then check to see if the oil level is at the middle of the oil gauge. If necessary, supply oil.
- Check underneath the machine for oil leakage.

## Hydraulic Hoses

### Inspection of Hydraulic Hoses



**Warning**  
When checking the hydraulic circuit for pinhole leaks or oil leakage from nozzles, do not use your hands. Use items such as paper or corrugated cardboard to find leakage points.

Be extremely careful with high-pressure oil as it may pierce your skin, resulting in personal accidents.

If fluid is injected into the skin it must be surgically removed within a few hours by a doctor familiar with this form of injury or gangrene may result.

Check the pipes and hoses to make sure that there is no oil leakage, circuit damage, looseness, wear, connector looseness, weather deterioration and chemical deterioration.

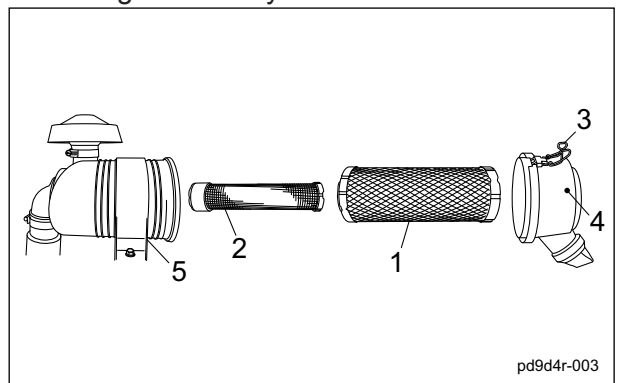
Make any necessary repairs before operating the machine.

## Air Cleaner

### Inspection of Air Cleaner

The air cleaner is a component that removes dirt from the intake air to prevent wear of the cylinder liners and piston rings so that the engine will always operate smoothly. A contaminated air cleaner element may cause malfunction of the engine.

- Make sure that the outer element is neither damaged nor dirty.
- Make sure that the inner element is neither damaged nor dirty.



Inspection of Air Cleaner\_001

1	Outer element
2	Inner element
3	Clip
4	Cover
5	Air cleaner body

# Handling Instructions

## Cleaning of Air Cleaner

A contaminated air cleaner may cause malfunction of the engine.

To maximize the life of the engine, clean the air cleaner properly.

**Important**

When cleaning the air cleaner element, do not use a petroleum solvent.  
When cleaning and drying the air cleaner element, do not use compressed air.

**Important**

The inner element cannot be cleaned.

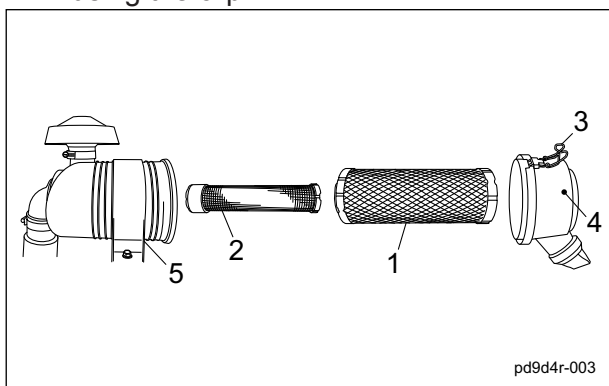
1. Follow the steps below to clean the outer element.

[1] Remove the clip, remove the cover, and then remove the element.

[2] While paying close attention not to damage the element, tap a solid portion of the element to remove dust and dirt. If the element is extremely contaminated, replace it with a new one.

[3] Attach the air cleaner element to the air cleaner body.

[4] Install the cover, and then affix it securely using the clip.



Cleaning of Air Cleaner\_001

1	Outer element
2	Inner element
3	Clip
4	Cover
5	Air cleaner body

## Battery

### Inspection of Battery

**Danger**

Keep fire away while inspecting or charging the battery.  
The battery may explode.

**Warning**

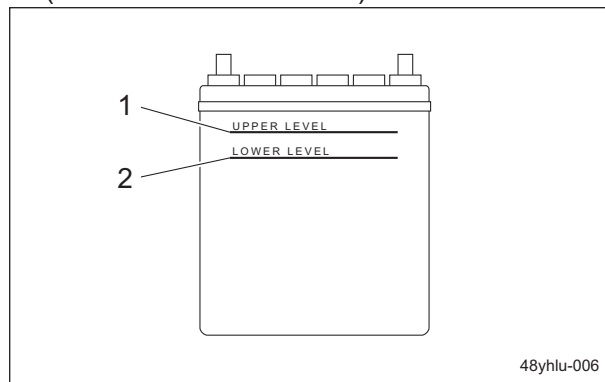
Do not allow the battery fluid level to become lower than the LOWER LEVEL (minimum fluid level line).

The battery may explode if it is used or charged while the battery fluid level is at the LOWER LEVEL (minimum fluid level line).

**Caution**

Implement after the engine and muffler etc. have well cooled down.  
Otherwise you may get burned.

1. Clean the areas around the battery fluid level lines using a cloth dampened with water.
2. Make sure that the battery fluid level is between the UPPER LEVEL (maximum fluid level line) and the LOWER LEVEL (minimum fluid level line).



Inspection of Battery\_001

1	UPPER LEVEL
2	LOWER LEVEL



# Handling Instructions

## Supply of Battery Fluid

**Danger**

Be careful not to let your skin, eyes or clothes, etc., come into contact with the battery fluid or accidentally swallow the fluid. Should your skin or clothes come into contact with the battery fluid, immediately wash them away with water.

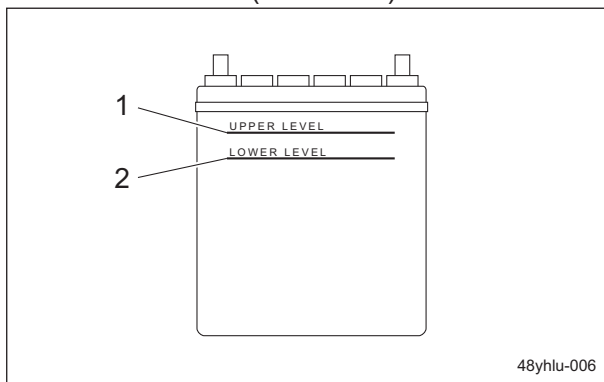
**Danger**

When you supply battery fluid, wear protective garments and safety glasses, etc.

**Caution**

Implement after the engine and muffler etc. have well cooled down. Otherwise you may get burned.

1. If the battery fluid level is lower than halfway between the UPPER LEVEL (maximum) line and LOWER LEVEL (minimum) line, add purified water up to the UPPER LEVEL (maximum) line.



Supply of Battery Fluid\_001

1	UPPER LEVEL
2	LOWER LEVEL

## Electrical Wiring

### Inspection of Electrical Wiring

**Important**

Electrical short circuit will cause fire, electrical leakage and malfunction of electrical equipments.

Inspect electrical wiring for poor terminal connections, damaged wiring or terminals, loose connections, weather-related deterioration and chemical-related deterioration.

If necessary, repair before operating the machine.

## Tire

### Inspection of Tires

1. Check the pneumatic pressure of the tires.
2. Make sure that there are no cracks, damage or abnormal wear.

Tire size	Pneumatic pressure
Front wheel (PD21 x 11.00 - 10)	70 kPa (0.7 kgf/cm <sup>2</sup> )
Rear wheel (25 x 13.00 - 9)	40 kPa (0.4 kgf/cm <sup>2</sup> )

## Brake

### Inspection of Brake Pedal

1. When depressing the brake pedal fully, make sure that there is appropriate clearance between the floorboard and the pedal or pedal reserve distance.
2. When depressing the brake pedal fully, make sure that the pedal reaction is not spongy and that there is no noise.
3. When depressing the brake pedal during traveling, make sure that the machine stops smoothly and the braking is sufficiently effective.

### Inspection of Parking Brake

1. Depress the locking pedal while firmly depressing the brake pedal to lock it and check that the brake is applied effectively.
2. Firmly depress the brake pedal and release the locking pedal to release the brake pedal, and then check that the brake is not applied.

# Handling Instructions

## Belt

### Inspection of Belt

#### ⚠ Caution

The engine must be stopped when the belt is inspected.

Be careful since the belt may rotate and something may get caught in it, even if the engine is stopped.

#### ⚠ Caution

The engine muffler is near the belt. Inspect the belt after the muffler has sufficiently cooled.

1. Press the middle of the belt with your finger to check the belt tension.
2. Make sure that there are no cracks, damage or abnormal wear.

## Wire

### Inspection of Wire

1. Make sure that the wire is not cracked or damaged.
2. If the wire is cracked or damaged, replace it with a new one immediately.

## Steering Wheel

### Inspection of Steering Wheel

1. Make sure that there is no play in the steering wheel.
2. Make sure that the steering wheel can be turned smoothly without abnormal noise, etc.
3. Make sure that the steering chain is not overtightened and is not loose.
4. Make sure that there are no cracks, damage or abnormal wear in the steering chain.

## Safety Device

### Inspection of Safety Device

Make sure that the safety device operates correctly.

"Safety Mechanisms" (Page 4-20)

## Around The Engine

### Inspection of Engine-Associated Parts

1. Check the fuel system parts for loosened or cracked joints and leakage. Replace the parts if necessary.
2. Blow compressed air to clean any grass or flammable materials that may be attached on or around the muffler.

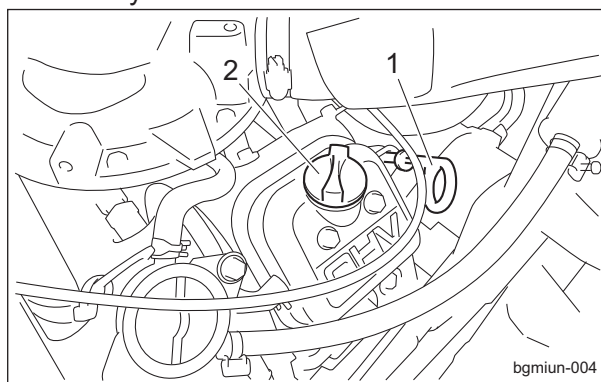
## Engine Oil

### Inspection of Engine Oil

#### Important

Securely tighten the oil level gauge and oil filler cap.

1. Stop the engine, wait for 10 to 20 minutes for the engine to cool down, and then check the engine oil.
2. Position the machine so that the engine will be level, then insert the oil level gauge all the way to check the oil level.



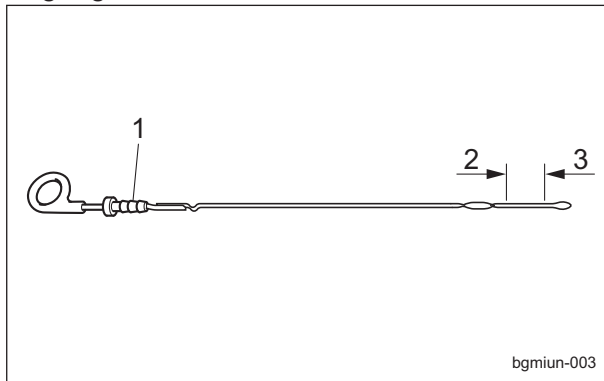
Inspection of Engine Oil\_001

1	Oil level gauge
2	Oil filler cap



# Handling Instructions

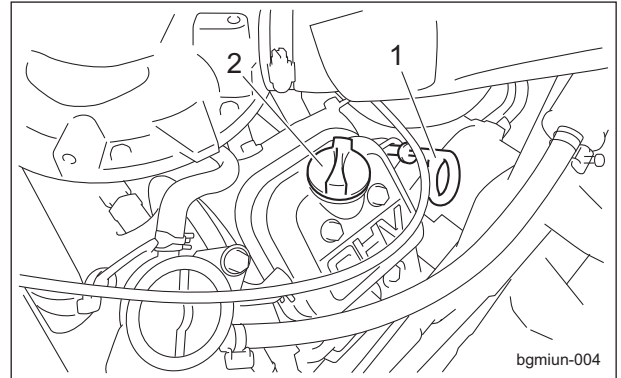
- The appropriate oil level should be between the upper and lower limit lines on the gauge.



Inspection of Engine Oil\_002

1	Oil level gauge
2	Upper limit
3	Lower limit

- Supply new engine oil until the oil reaches a level in between the upper and lower limit lines on the oil level gauge.
- Re-place the oil filler cap.



Supply of Engine Oil\_001

1	Oil level gauge
2	Oil filler cap

## Supply of Engine Oil

**Important**

Do not fill too much engine oil. Otherwise, the engine may be damaged.

**Important**

Do not mix different types of engine oil.

**Important**

Be sure to use engine oil that is classified as API Service Grade SF or higher, with an SAE Viscosity that is appropriate for the operating environment (ambient temperature).

**Important**

Securely tighten the oil level gauge and oil filler cap. If they are insufficiently tightened or there is an insufficient seal, negative pressure inside the crankcase cannot be maintained, causing the oil to rise, possibly resulting in the production of white smoke and damage to the engine.

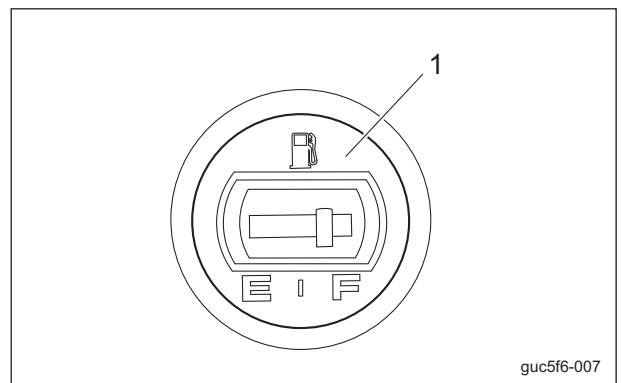
- If the engine oil level is lower than the lower limit line on the oil level gauge, supply engine oil through the oil filling port. Remove the oil filler cap.

- It will take a while for the supplied engine oil to descend into the oil pan. Check the oil level again 10 to 20 minutes after supplying the oil.

## Fuel

### Inspection of Fuel Quantity

With the machine on a level surface, observe the fuel gauge on the fuel tank to check the fuel level.



Inspection of Fuel Quantity\_001

1	Fuel gauge
---	------------

# Handling Instructions

## Fuel Supply

**Warning**

Supply fuel before starting the engine. Never remove the tank cap or supply fuel while the engine is running. When opening the tank cap, wait at least 1 minute after stopping the engine, and then slowly open the cap to release the pressure in the tank. Opening the tank cap quickly may cause fuel to burst out.

**Warning**

Do not supply fuel above FULL level of the fuel gauge. If you supply too much fuel, it might overflow from the fuel cap when you travel or work on a slope.

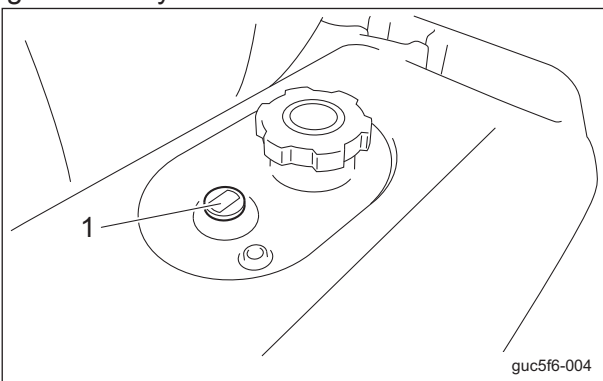
**Warning**

Keep fire away while refueling. Do not smoke while refueling.

**Warning**

Supply fuel after the engine is stopped and has well cooled down.

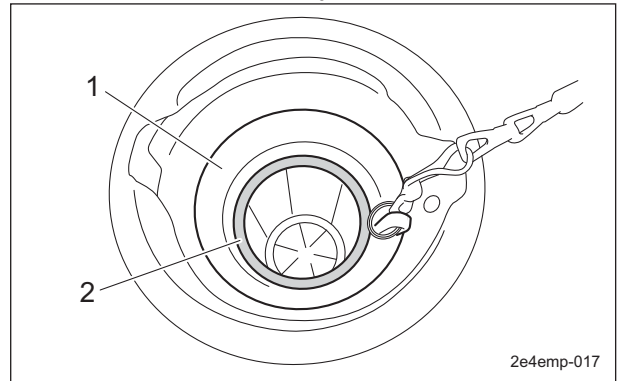
If the fuel gauge located on the fuel tank indicates a level close to E (EMPTY), supply gasoline at your earliest convenience.



Fuel Supply\_001

1	Fuel gauge
---	------------

The fuel tank capacity up to the red ring of strainer is approximately 15.0 dm<sup>3</sup> (15.0 L).



Fuel Supply\_002

1	Strainer
2	Red ring

## Fuel Filter

### Inspection of Fuel Filter

The fuel filter works to remove foreign objects mixed into the fuel.

When the fuel flow becomes insufficient, replace the fuel filter if necessary.

1. Make sure that there is no fuel leakage.
2. Make sure that the fuel filter is not damaged or dirty.

# Handling Instructions

## Fuel Strainer

### Inspection of Fuel Strainer

The fuel strainer is installed near the fuel tank and cleans the fuel that enters the carburetor. If the fuel flow is insufficient, clean or replace the fuel strainer as necessary.

1. Make sure that there is no fuel leakage.
2. Make sure that the fuel strainer is not damaged or dirty.

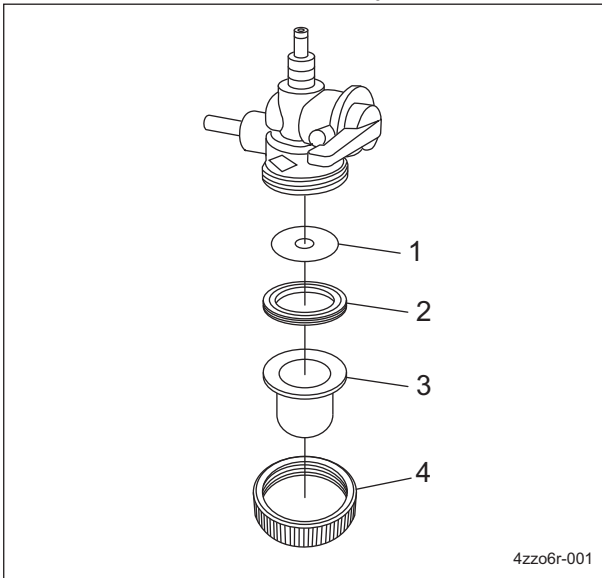
### Cleaning of Fuel Strainer

If the fuel strainer becomes clogged with dust and dirt, the fuel flow will become insufficient. Periodically clean it.

**Important**

Shut off the fuel valve, and then clean the fuel strainer in a clean location, free of dust and dirt.

1. Remove the filter pot, wash the filter and inside of the filter pot using a solvent, such as a hardly flammable kerosene, and then blow compressed air to dry them.



Cleaning of Fuel Strainer\_001

1	Filter
2	Packing
3	Filter pot
4	Ring

2. Make sure that there is no fuel leakage after it is installed.

## Oil Leakage

### Inspection of Oil Leakage

After approximately 50 hours of operation, some joints may be loosened and oil and grease may leak.

Be sure to retighten the parts.

Check the bottom of the machine for oil and grease leakage.

# Handling Instructions

---

## Tightening Torques

**Important**

Refer to the Tightening Torque table.  
Note that the Baroness product warranty may not apply to defects caused by incorrect or overtorque tightening, etc.

## Standard Tightening Torques

### Bolts and Nuts

**Important**

A number of bolts are used in each part of this machine.  
Be sure to re-tighten the bolts and nuts, because they may be loosened at the earlier stage of the use.

As to the bolts and nuts without any special instruction, tighten them in appropriate tightening torque with proper tool.

Too much tightening may cause the looseness or damage of the screw.

The strength of tightening is determined by types of screws, strength, the friction of thread face or base face and others.

The table below is for the galvanized or parkerized bolts.

In case that the strength of internal thread is weak, it is not applied.

Do not use rusty or sand attached "screw."

Otherwise, it may cause insufficient tightening even if you apply the specified tightening torque.

The friction of the screw face becomes higher and the tightening torque is canceled out by the friction, therefore sufficient tightening cannot be applied.

If "screw" is wet by water or oil, do not tighten it with normal tightening torque.

If the screw is wet, the torque coefficient will get smaller and it may result in too much tightening.

Too much tightening may cause looseness by the screw stretched or result in damage.


Do not use a bolt experienced too much burden.



Using the impact wrench requires the skill.

Do exercise as much as possible for steady tightening.

# Handling Instructions

Handling Instructions

Nominal diameter	General bolt		
	Strength classification 4.8		
	 tib3yb-001		
	N-m	kgf-cm	lb-in
M5	3 - 5	30.59 - 50.99	26.55 - 44.26
M6	7 - 9	71.38 - 91.77	61.96 - 79.66
M8	14 - 19	142.76 - 193.74	123.91 - 168.17
M10	29 - 38	295.71 - 387.49	256.68 - 336.34
M12	52 - 67	530.24 - 683.20	460.25 - 593.02
M14	70 - 94	713.79 - 958.52	619.57 - 831.99
M16	88 - 112	897.34 - 1142.06	778.89 - 991.31
M18	116 - 144	1,182.85 - 1,468.37	1,026.72 - 1,274.54
M20	147 - 183	1,498.96 - 1,866.05	1,301.10 - 1,619.73
M22	295	3,008.12	2,611.05
M24	370	3,772.89	3,274.87
M27	550	5,608.35	4,868.05
M30	740	7,545.78	6,549.74

Nominal diameter	Heat-treated bolt					
	Strength classification 8.8			Strength classification 10.9		
	 tib3yb-002			 tib3yb-003		
	N-m	kgf-cm	lb-in	N-m	kgf-cm	lb-in
M5	5 - 7	50.99 - 71.38	44.26 - 61.96	7 - 10	71.38 - 101.97	61.96 - 88.51
M6	8 - 11	81.58 - 112.17	70.81 - 97.36	14 - 18	142.76 - 183.55	123.91 - 159.32
M8	23 - 29	234.53 - 295.71	203.57 - 256.68	28 - 38	285.52 - 387.49	247.83 - 336.34
M10	45 - 57	458.87 - 581.23	398.30 - 504.51	58 - 76	591.43 - 774.97	513.36 - 672.68
M12	67 - 85	683.20 - 866.75	593.02 - 752.34	104 - 134	1,060.49 - 1,366.40	920.50 - 1186.03
M14	106 - 134	1,080.88 - 1,366.40	938.21 - 1,186.03	140 - 188	1,427.58 - 1,917.04	1,239.14 - 1,663.99
M16	152 - 188	1,549.94 - 1,917.04	1,345.35 - 1,663.99	210 - 260	2,141.37 - 2,651.22	1,858.71 - 2,301.26
M18	200 - 240	2,039.40 - 2,447.28	1,770.20 - 2,124.24	280 - 340	2,855.16 - 3,466.98	2,478.28 - 3,009.34
M20	245 - 295	2,498.27 - 3,008.12	2,168.50 - 2,611.05	370 - 450	3,772.89 - 4,588.65	3,274.87 - 3,982.95
M22	-	-	-	530	5,404.41	4,691.03
M24	-	-	-	670	6,831.99	5,930.17
M27	-	-	-	1,000	10,197.00	8,851.00
M30	-	-	-	1,340	14,628.78	11,860.34

**Note:**  
The same values are applied to "fine screw thread."

# Handling Instructions

---

## Hydraulic Hose

The tightening torques for union joints and union adaptors with parallel pipe threads (G, PF) are shown in the table below.

A union joint or adaptor will not become loose or leak as long as it is tightened by the specified torque.

If fluid leaks from the sealed portion, do not attempt to tighten the union joint or adaptor forcibly.

Examine whether any foreign matter or scratches are present on the seat surface.

Tightening a union joint or adaptor forcibly could damage the connection of the joints.

When tightening a union joint or adaptor, use a torque wrench where possible and firmly tighten it by an appropriate torque.

Nominal diameter of the hose size	Nominal diameter of the parallel pipe threads (PF)	Tightening torque		
		N-m	kgf-cm	lb-in
6	1/4	24.50	250	221.28
9	3/8	49.03	500	564.91
12	1/2	58.84	600	677.89
15	3/4	117.68	1200	1,355.78
19	3/4	117.68	1200	1,355.78
25	1	137.30	1400	1,581.74
32	1-1/4	166.72	1700	1,920.69
38	1-1/2	205.94	2100	2,372.61
50	2	245.17	2500	2,824.54

## Fittings with Parallel Threads (O-Ring Seal Type)

The tightening torques for fittings with parallel threads (O-ring seal method) are shown in the table below.

Tightening the fitting forcibly with a spanner or other such tool to secure it to a set position could damage the fitting, its washers, and other parts. Be sure to tighten the fitting to the torque appropriate to its size.

Nominal diameter of thread	Tightening torque		
	N-m	kgf-cm	lb-in.
1/4	34.32 - 49.03	350 - 500	309.79 - 442.55
3/8	68.65 - 78.45	700 - 800	619.57 - 708.08
1/2	98.07 - 117.68	1000 - 1200	885.10 - 1,062.12
3/4	147.10 - 176.52	1500 - 1800	1,327.65 - 1,593.18
1	245.17 - 274.59	2500 - 2800	2,212.75 - 2,478.28
1-1/4	294.20	3000	2,655.30
1-1/2	294.20	3000	2,655.30
2	392.27	4000	3,540.40

# Handling Instructions

## Principal Tightening Torques

### Tightening Torque by Model

SP05A

Tighten the following bolts and nuts at the torque specified in the table.

For thread locking adhesive, apply a middle strength thread locker (ThreeBond 1322 or equivalent anaerobic sealant).

Location		Code	Part name	Tightening torque			Thread locking adhesive
				N-m	kgf-cm	lb-in	
2WD front wheel	Front wheel bracket	K0000100202	Bolt, M10-20	29 - 38	295.71 - 387.49	256.68 - 336.34	—
	Wheel	K0011120302	Bolt, heat-treated M12-30P1.5	67 - 85	683.20 - 866.75	593.02 - 752.34	—
	Rhombic flange unit	K0661205000	Rhombic flange unit UCFL205	—	—	—	M6 set screw
3WD front wheel	Front wheel bracket	K0000100202	Bolt, M10-20	29 - 38	295.71 - 387.49	256.68 - 336.34	—
	Motor mounting base	K0160000492	24 special nut P1.5	180 - 200	1835.46 - 2039.40	1593.18 - 1770.20	—
	Wheel	K0014120602	Bolt, heat-treated M12-60P1.5	67 - 85	683.20 - 866.75	593.02 - 752.34	—
	Spacer	K0014120502	Bolt, heat-treated M12-50P1.5	67 - 85	683.20 - 866.75	593.02 - 752.34	—
	Rhombic flange unit	K0661205000	Rhombic flange unit UCFL205	—	—	—	M6 set screw
Front wheel arm		K0010100502	Bolt, heat-treated M10-50	29 - 38	295.71 - 387.49	256.68 - 336.34	—
Rear wheel	Wheel	K0011120302	Bolt, heat-treated M12-30P1.5	67 - 85	683.20 - 866.75	593.02 - 752.34	—
	Wheel mounting base	K0160000492	24 special nut P1.5	180 - 200	1,835.46 - 2,039.40	1,593.18 - 1,770.20	M24 screw
Oil cooler port fitting		K3006000022-Y	ELBOW, ODD SIZED PT1/2*PF3/8	10 - 25	101.97 - 254.93	88.51 - 221.28	—

# Handling Instructions

## Adjustment before Work

### Adjustment of Steering Wheel

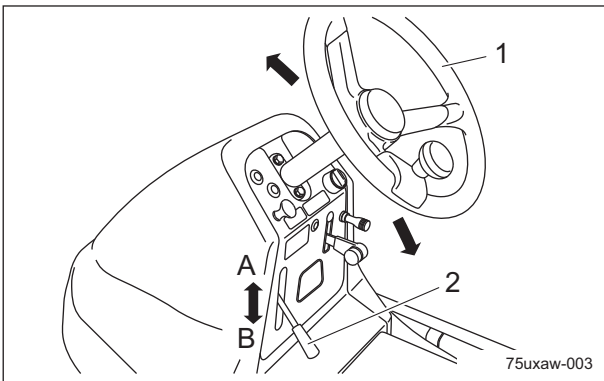
**Warning**

Since it is dangerous, do not adjust the steering wheel while traveling.

**Caution**

Be sure the steering wheel position is securely locked. It may result in an unexpected accident if it becomes loose while traveling.

The steering wheel can be adjusted up or down with the tilt lever. Adjust the position according to the operator's body size. Shift the tilt lever to the "FREE" position, move the steering wheel to the position that suits your work requirements, and then shift the tilt lever to the "LOCK" position to secure the steering wheel in place. The tilt lever is located at the center of the driver's seat.

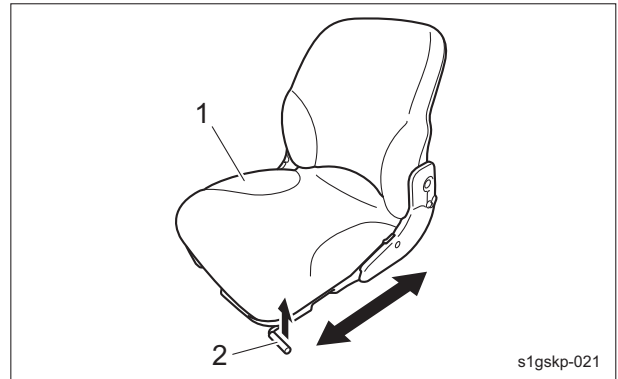


Adjustment of Steering Wheel\_001

1	Steering wheel
2	Tilt lever
A	FREE
B	LOCK

### Adjustment of Seat

Use the seat adjustment lever to adjust the seat back and forth. Adjust the position according to the operator's body size. The adjustment lever is located beneath the front part of the seat.



Adjustment of Seat\_001

1	Seat
2	Adjuster lever



# Handling Instructions

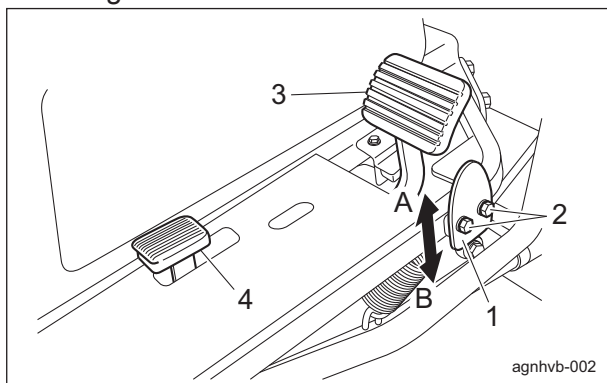
## Adjustment of Speed Adjustment Plate



**Warning**  
Since it is dangerous, do not adjust the speed adjustment plate while traveling.

The height of the speed adjustment plate can be adjusted with the bolts.  
Use the speed adjustment plate to operate the machine at a constant speed.

1. Loosen the bolts.
2. Determine the operating speed, adjust the height of the speed adjustment plate, and then tighten the bolts.



Adjustment of Speed Adjustment Plate\_001

1	Speed adjustment plate
2	Bolt
3	Forward pedal
4	Reverse pedal
A	Slow
B	Fast

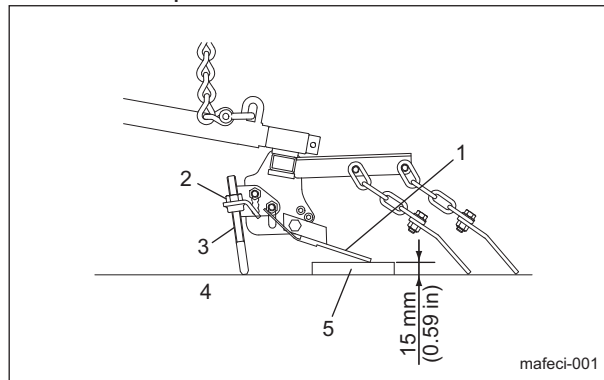
## Adjustment of Rake



**Caution**  
Before adjusting the rake, be sure to stop the engine.

1. The rake can be adjusted with the nut.
  - [1] On a level surface, lower the rake, and then drive the machine forward about approximately 200 mm (7.87 in).
  - [2] Place a wooden board with a thickness of about 15 mm (0.59 in) under the warp board.

- [3] Adjust the fork prong bar to a position where the rake load is applied to the wooden board and the tip of the fork prong bar lightly touches the ground, and then lock it in place with the nut.

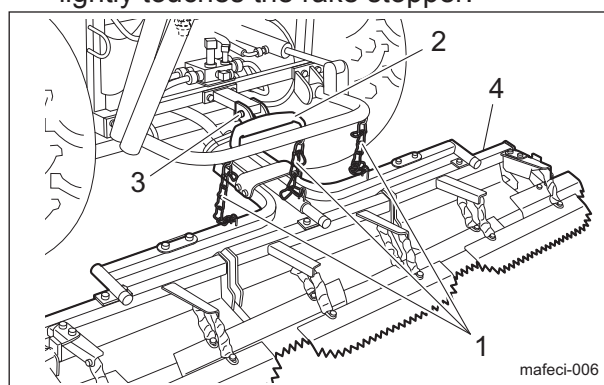


Adjustment of Rake\_001

1	Warp board
2	Nut
3	Fork prong bar
4	Flat concrete surface
5	Wooden board, etc.

2. When adjusting the links of the cross-link chains, adjust the rake stopper. As a standard, 7 links of the chain are used.

- [1] Loosen the nut.
- [2] Raise the rake.
- [3] Adjust the rake stopper so that it lightly touches the rake, and then tighten the nut.
- [4] Raise and lower the rake to check that it lightly touches the rake stopper.



Adjustment of Rake\_002

1	Cross-link chains
2	Rake stopper
3	Nut
4	Rake

# Handling Instructions

## Adjustment of Blade

Note:

Depending on the specifications, this function may not be available.

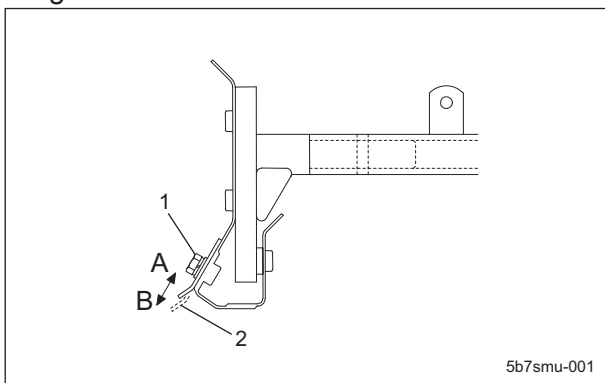
The blade can be adjusted with the bolt.

1. Loosen the bolt, and then move the small blade to the desired position.

[1] Toward A to take a thin layer from the surface of the sand

[2] Toward B to take a thick layer from the surface of the sand

2. Tighten the bolt.



5b7smu-001

Adjustment of Blade\_001

1	Bolt
2	Small blade

## Adjustment of Finishing Brush

Note:

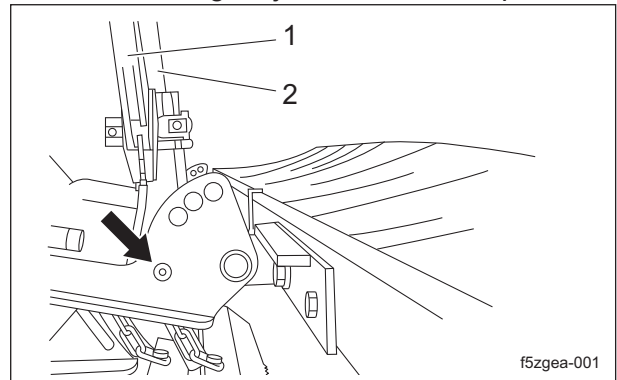
Depending on the specifications, this function may not be available.

The height of the finishing brush can be adjusted by moving the right and left movable arms while gripping the right and left clutch levers.

Return the clutch levers after adjusting the height of the brush on the ground according to the bunker conditions.

The mounting height can be adjusted to one of four levels.

1. When traveling, adjust to the lowest position.

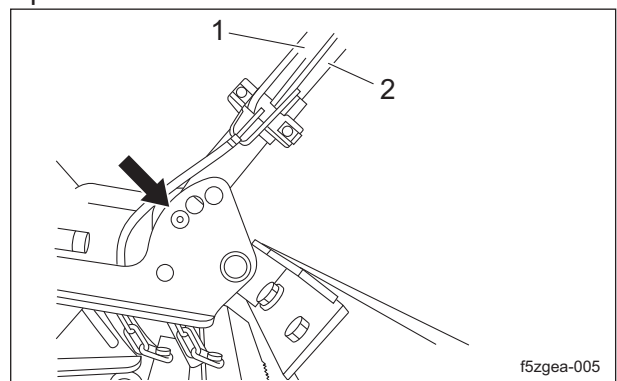


f5zgea-001

Adjustment of Finishing Brush\_001

1	Clutch lever
2	Movable arm

2. When used for light finishing, adjust to the position second from the bottom.



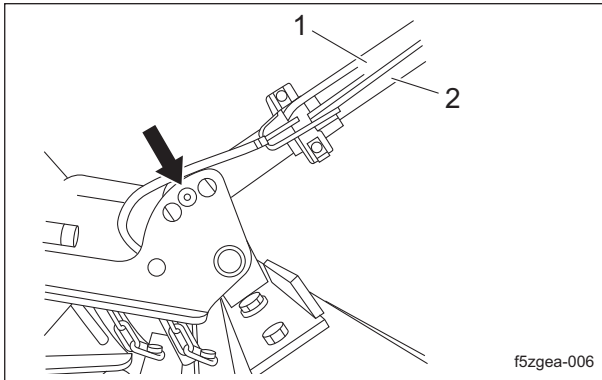
f5zgea-005

Adjustment of Finishing Brush\_002

1	Clutch lever
2	Movable arm

# Handling Instructions

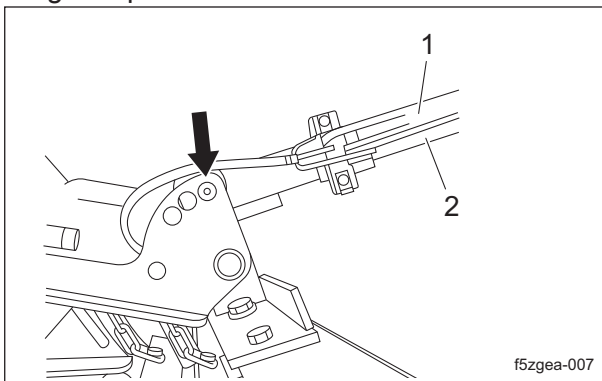
3. When used for normal finishing, adjust to the position third from the bottom.



Adjustment of Finishing Brush\_003

1	Clutch lever
2	Movable arm

4. When used for heavy finishing, adjust to the highest position.



Adjustment of Finishing Brush\_004

1	Clutch lever
2	Movable arm

## Procedure to Start/Stop Engine

### Start/Stop of Engine

#### Procedure to Start Engine

**Caution**

Do not start the engine in a building with insufficient ventilation.

**Caution**

Before starting the engine, make sure that there are no other people or obstacles around the machine.

**Caution**

Make sure that the covers are correctly in place and are not damaged.

**Important**

Starter operation must take 15 seconds or less. If the engine does not start, stop using the battery for 30 to 60 seconds to avoid exhausting the battery.

1. Open the fuel cock.  
This is near the fuel tank.
2. Sit on the seat.
3. Make sure that the parking brake is applied.
4. Make sure that the traveling pedal is in neutral position.
5. Move the throttle lever to the middle position between "High" and "Low".
6. Pull the choke knob.  
Pull the choke knob half way for restarting, as necessary.
7. Switch the ignition key to the "START" position.

**Important**

Quickly returning the ignition key from the "START" position to the "ON" position may result in damage to the machine.

8. When the starter starts rotating and the engine starts, slowly return the ignition key to the "ON" position.
9. Check that the engine has started, and then return the choke knob to its original position.
10. Shift the throttle lever to "Low", and then warm up the engine for 1-2 minutes.
11. Gradually move the throttle lever to "High".

#### Procedure to Stop Engine

1. Raise the rake section.
2. Raise the attachment if any installed.
3. Set the traveling pedal in neutral position.
4. Apply the parking brake.
5. Move the throttle lever to "Low", and continue idling for 1-2 minutes.
6. Switch the ignition key to the "OFF" position.
7. Make sure that the engine has stopped.

# Handling Instructions

8. Remove the ignition key.
9. Leave the driver's seat.
10. Close the fuel cock.  
The fuel cock is located near the fuel tank.

## Safety Mechanisms

This machine features a safety device for starting/stopping the engine.

1. As for starting the engine, the safety device prevents the engine from starting unless it meets each of the following three conditions.

- An operator is sitting on the seat.
- The parking brake is applied.
- The traveling pedal is set to the neutral position.

2. In the event the operator leaves the seat with the engine running, the safety device will be activated and will stop the engine under any of the following conditions:

- The operator leaves the seat without applying the parking brake.
- The traveling pedal is operated after the parking brake is applied and the operator leaves the seat.

## Warning Mechanisms

This machine features a warning mechanism to prevent operation while the parking brake is applied.

1. If the traveling pedal is depressed while the parking brake is applied, a buzzer will sound. (intermittent tone)

## Operation Method

### Cautions for when You Leave The Machine

#### ⚠ Caution

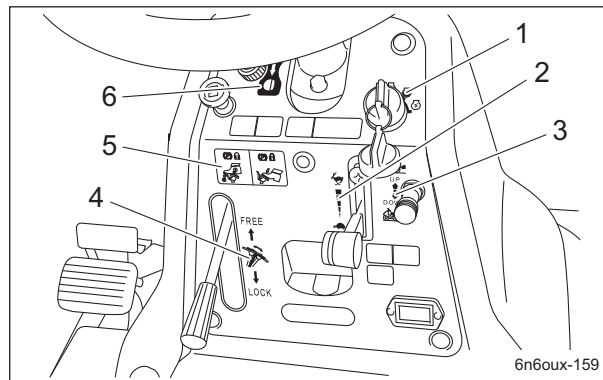
If the brakes are not sufficiently effective, use the wheel stoppers to secure the machine.

#### ⚠ Caution

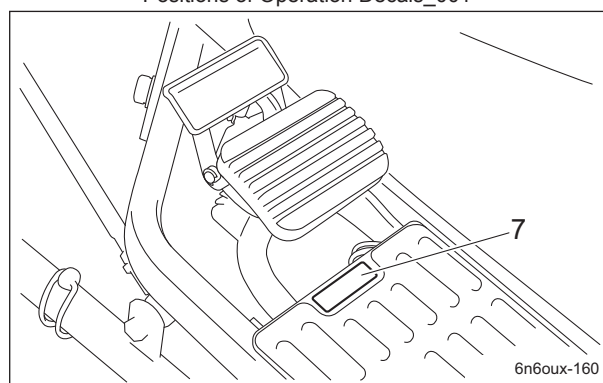
Never park the machine on a slope.

1. Park the machine on level ground.
2. Apply the parking brake.
3. Stop the engine.
4. Remove the ignition key.
5. Leave the machine.

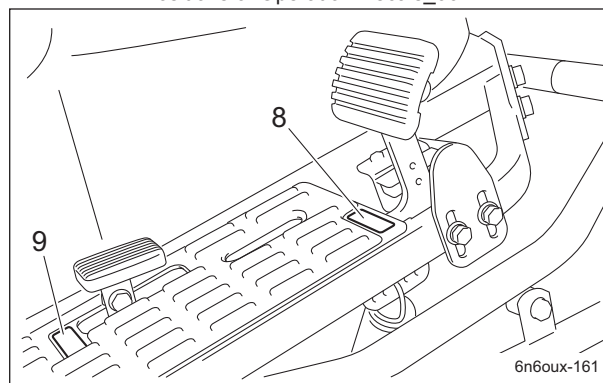
## Positions of Operation Decals



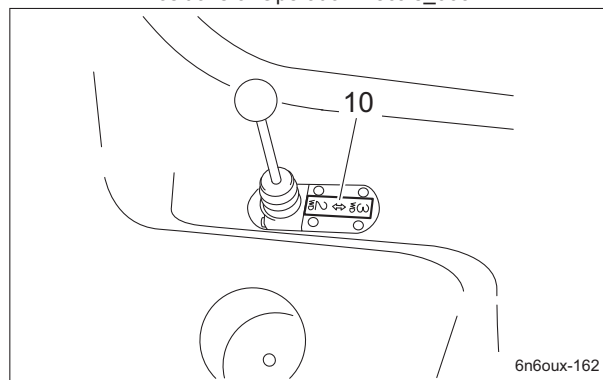
Positions of Operation Decals\_001



Positions of Operation Decals\_002



Positions of Operation Decals\_003



Positions of Operation Decals\_004

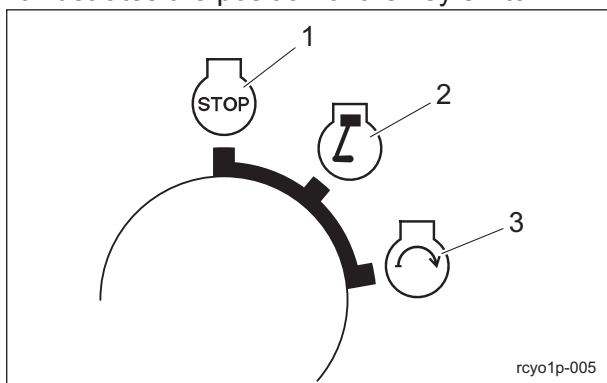
# Handling Instructions

1	Key switch mark
2	Engine rotation decal
3	Rake up/down mark
4	Tilt steering mark
5	Parking brake mark
6	Light switch mark
7	BRAKE decal
8	FORWARD decal
9	BACKWARD decal
10	2WD/3WD selector lever mark

## Description of Operation Decals

### Key Switch Mark

Key switch mark  
It illustrates the position of the key switch.

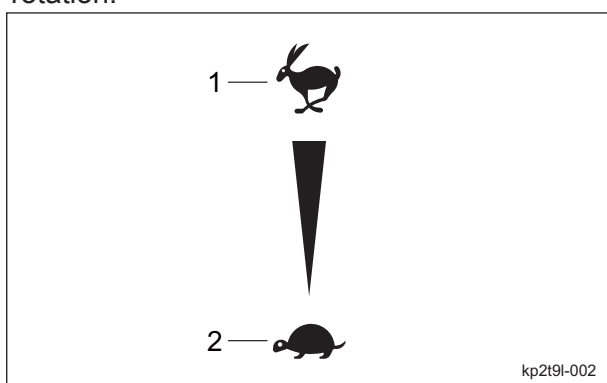


Key Switch Mark\_001

1	OFF
2	ON
3	START

### Engine Rotation Decal

Engine rotation decal  
This indicates high/low speed of the engine rotation.

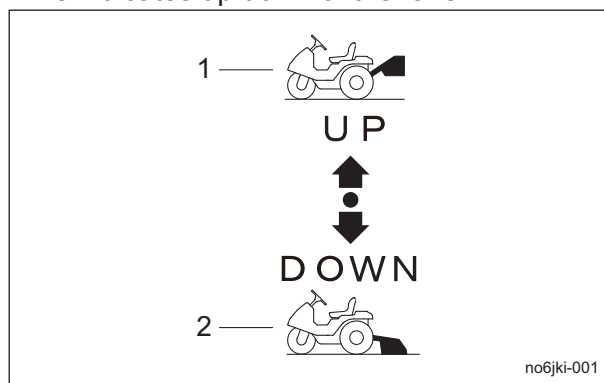


Engine Rotation Decal\_001

1	High speed
2	Low speed

### Rake Up/Down Mark

Rake up/down mark  
This indicates up/down of the rake.

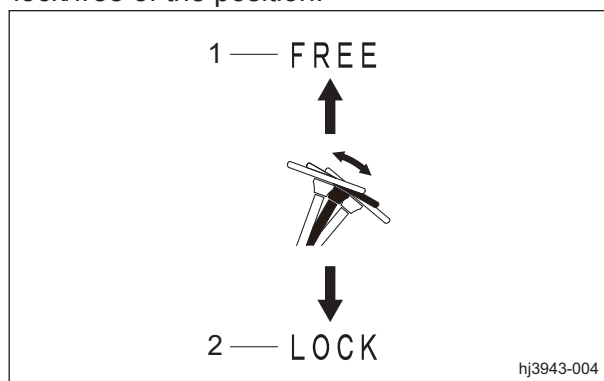


Rake Up/Down Mark\_001

1	UP
2	DOWN

### Tilt Steering Mark

Tilt steering mark  
This indicates the direction of tilt steering and lock/free of the position.



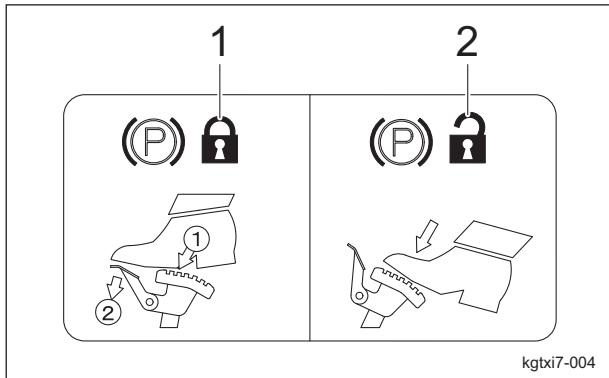
Tilt Steering Mark\_001

1	FREE
2	LOCK

# Handling Instructions

## Parking Brake Mark

Parking brake mark  
This indicates lock/release of the parking brake.



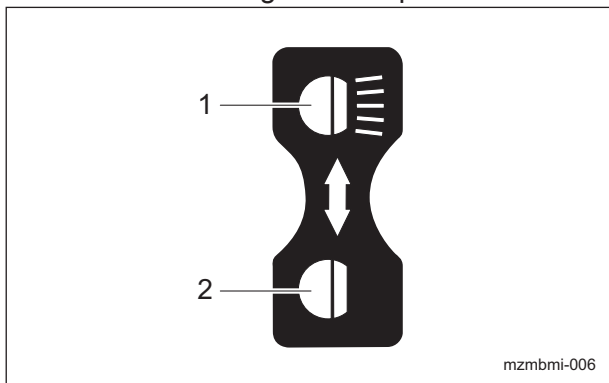
Parking Brake Mark\_001

1	Lock
2	Release

## Light Switch Mark

Note:  
Depending on the specifications, this function may not be available.

K4203001410  
STICKER, LIGHT SWITCH  
This indicates the light switch positions.



Light Switch Mark\_001

1	ON
2	OFF

## BRAKE Decal

K4203001450  
Decal, BRAKE  
This indicates brake.



BRAKE Decal\_001

## FORWARD Decal

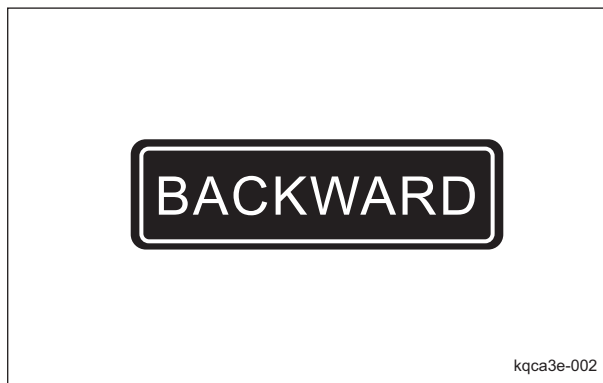
K4203001430  
Decal, FORWARD  
This indicates forward travel.



FORWARD Decal\_001

## BACKWARD Decal

K4203001440  
Decal, BACKWARD  
This indicates backward travel.

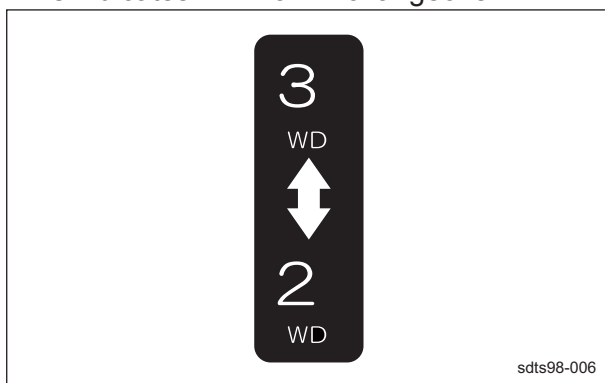


BACKWARD Decal\_001

# Handling Instructions

## 2WD/3WD Selector Lever Mark

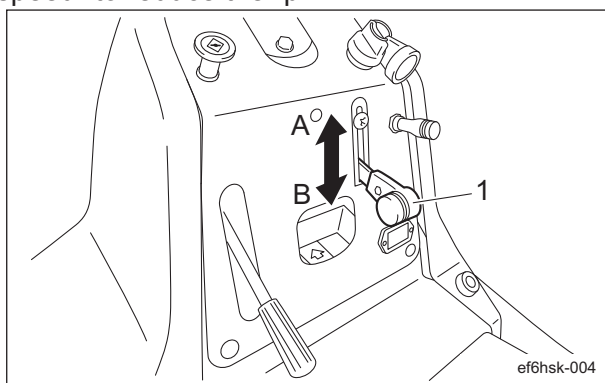
Note:  
Depending on the specifications, this function may not be available.  
K4203001380  
2WD - 3WD shift lever sticker  
This indicates 2WD/3WD changeover.



2WD/3WD Selector Lever Mark\_001

## Throttle Lever

The throttle lever is located on the right side below the steering wheel and enables you to adjust the engine rpm.  
Move the throttle lever toward "High speed" to increase the engine rpm, and toward "Low speed" to reduce the rpm.

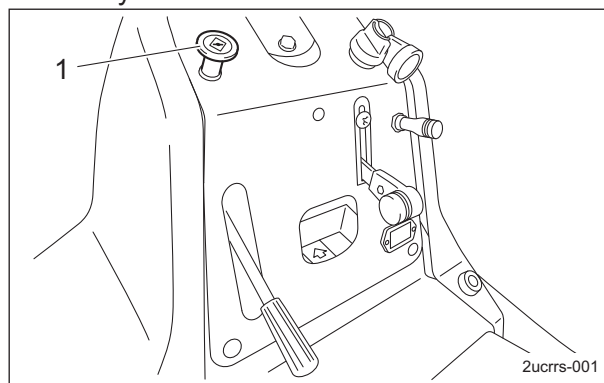


Throttle Lever\_001

1	Throttle lever
A	High speed
B	Low speed

## Choke Lever

The choke lever is located on the left side below the steering wheel and its knob is to be pulled when starting the engine.  
Pull the knob half way for restarting, as necessary.



Choke Lever\_001

1	Choke lever
---	-------------

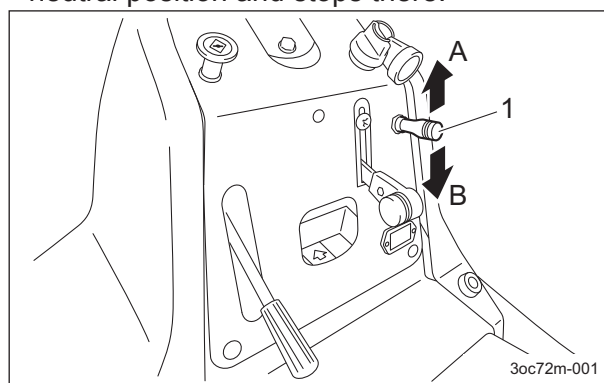
## Up/Down Switch Lever

### Important

If the engine rpm is low, the rake will not be raised and lowered due to insufficient hydraulic oil.  
Move the throttle lever above the middle position toward "High speed".

The up/down switch lever is on the right side below the steering wheel and is used to operate the rake.

- Shift the up/down switch lever to the "UP" position to raise the rake.  
When the lever is released, it returns to the neutral position and stops there.
- Shift the up/down switch lever to the "DOWN" position to lower the rake.  
When the lever is released, it returns to the neutral position and stops there.



Up/Down Switch Lever\_001



# Handling Instructions

1	Up/down switch lever
A	UP
B	DOWN

## 2WD/3WD Selector Lever

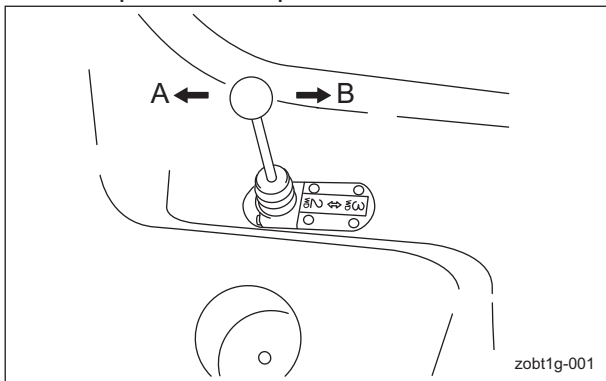
Note:  
Depending on the specifications, this function may not be available.

### Important

When switching between 2WD and 3WD operation, make sure to stop the machine completely.

The 2WD/3WD selector lever is on the right side of the driver's seat and is used to switch the traveling and operation mode.

- Shift the 2WD/3WD selector lever to the "2WD" position to operate in rear-wheel 2WD.
- Shift the 2WD/3WD selector lever to the "3WD" position to operate in all-wheel 3WD.



2WD/3WD Selector Lever\_001

A	2WD
B	3WD

- \* Use of 2WD or 3WD
- Use 2WD when working with the blade and high-speed traveling (maximum 16 km/h) is possible.
  - Use 3WD when working on steeply sloped or soft bunkers or bunkers with a small diameter.

## Light Switch

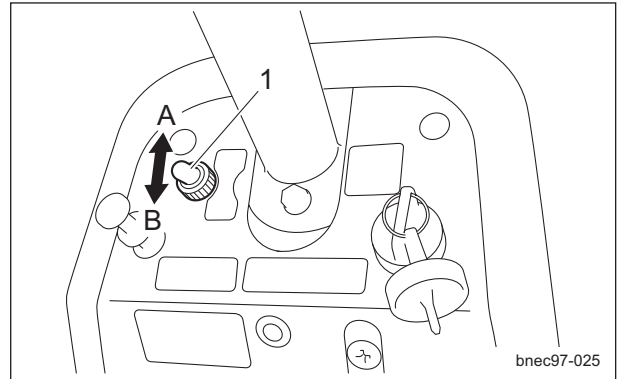
Note:  
Depending on the specifications, this function may not be available.

### Caution

The lights provide auxiliary lighting. Do not travel or operate the machine at night or under poor visibility.

The light switch is located in the operation panel.

Flip the switch up to turn the light on, and down to turn the light off.



Light Switch\_001

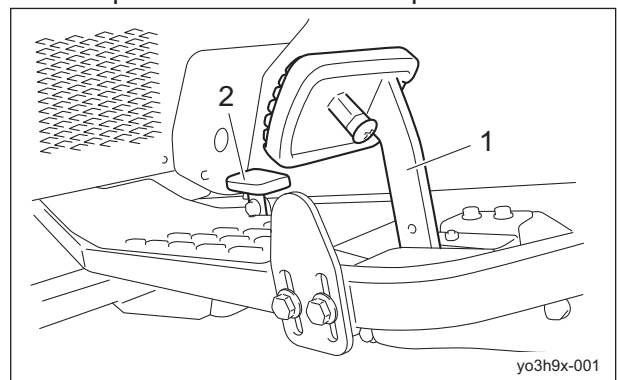
1	Light switch
A	ON
B	OFF

## Traveling Pedal

The traveling pedal is located in the right foot area.

When depressed "Forward", the machine travels forward. When depressed "Backward", the machine travels in reverse.

If the pedal is secured with the speed adjustment plate during operation, the machine can be operated at a constant speed.



Traveling Pedal\_001

1	Forward
2	Backward



# Handling Instructions

## Brake Pedal

**⚠ Caution**

When leaving the driver's seat, park the machine on a stable, flat surface and be sure to apply the parking brake.

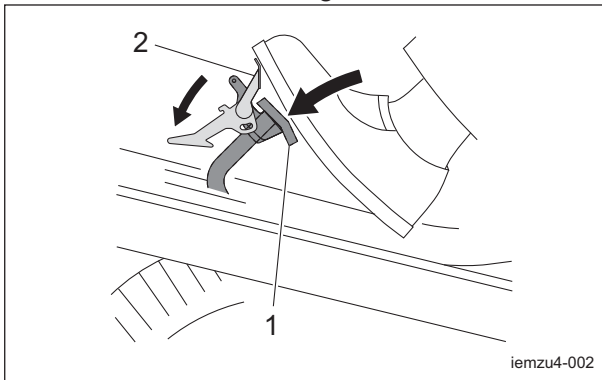
**⚠ Caution**

Do not park on a slope.

The brake pedal is located in the left foot area. To stop the machine, depress the brake pedal all the way firmly.

When parking, firmly depress the brake pedal and lock it with the lock fitting.

To release it, firmly depress the brake pedal and release the lock fitting.



Brake Pedal\_001

1	Brake pedal
2	Lock fitting

## Front Cover

**⚠ Caution**

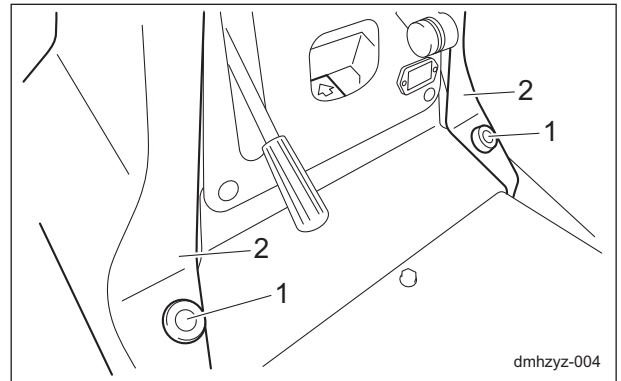
Do not open the cover in strong winds.

**⚠ Caution**

When closing the cover, be careful not to pinch your hands.

The front cover is in front of the steering wheel and is opened in order to perform maintenance.

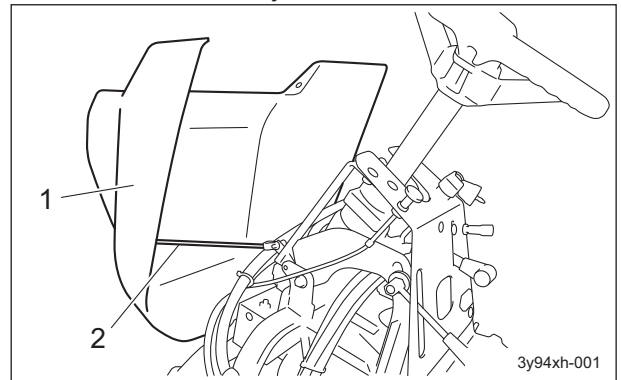
1. Remove the dimple knobs.



Front Cover\_001

1	Dimple knobs
2	Front cover

2. Open the front cover, and then tilt it forward until the wire is fully extended.



Front Cover\_002

1	Front cover
2	Wire

# Handling Instructions

## Rear Cover

1	Rear cover
2	Gas spring

**Warning**

Stop the engine when performing recommended maintenance operations that do not require the engine to start when the rear cover is opened. When performing maintenance with the engine started, stay away from moving parts.

**Caution**

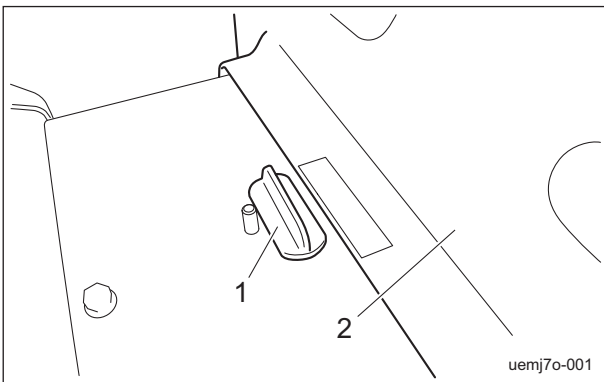
Do not open the cover in strong winds.

**Caution**

When closing the cover, be careful not to pinch your hands.

The rear cover is under the seat and is opened in order to perform maintenance.

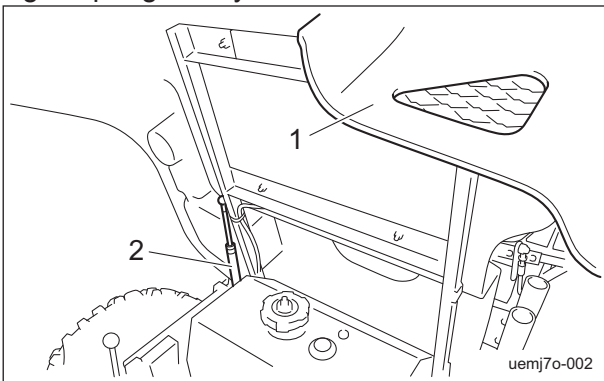
1. Release the cover fastener.



Rear Cover\_001

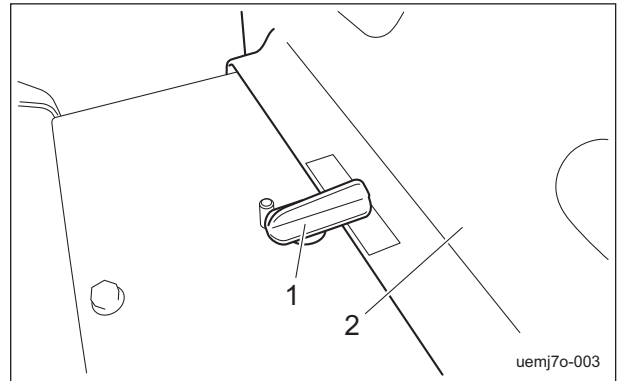
1	Cover fastener (released)
2	Rear cover

2. Open the rear cover, and then lift it until the gas spring is fully extended.



Rear Cover\_002

3. When closing the rear cover, slowly lower it while firmly supporting it, and then engage the cover fastener.

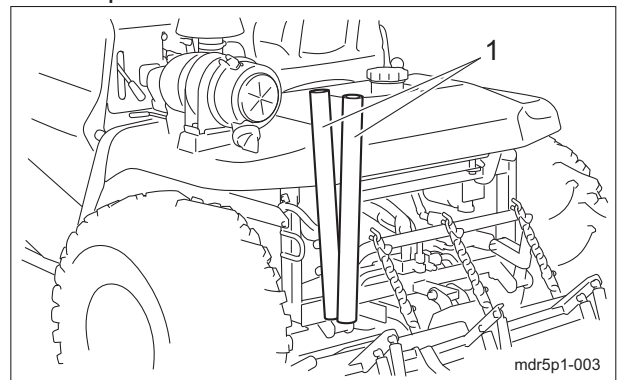


Rear Cover\_003

1	Cover fastener (engaged)
2	Rear cover

## Broom Holder

Broom and rake can be stored in these holders for transport.



Broom Holder\_001

1	Broom Holder
---	--------------

# Handling Instructions

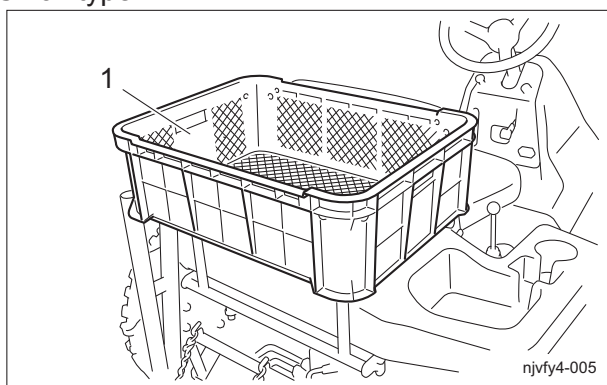
## Cargo Box

Note:  
Depending on the specifications, this function may not be available.

**Important**

The maximum loading weight is 15 kg (33.07 lb).

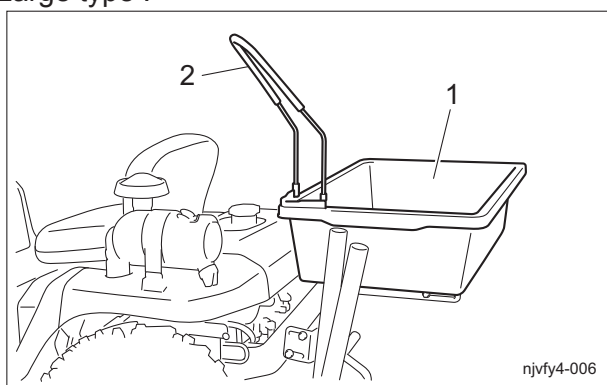
Cargo Box is a container to transport equipments such as a back pack blower which may be used together during cutting work. There are two types of cargo boxes.  
Small type :



Cargo Box\_001

1	Cargo box
---	-----------

Large type :

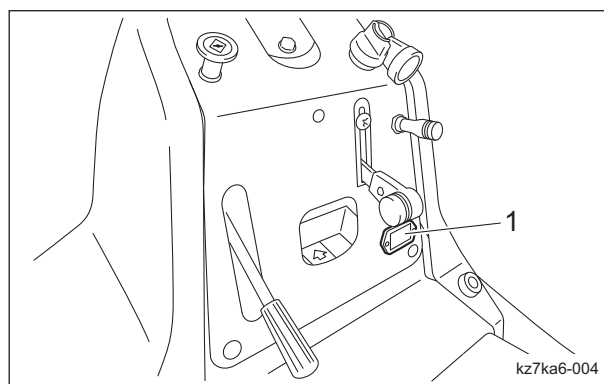


Cargo Box\_002

1	Cargo box
2	Blower nozzle holder

## Instruments

### Instruments on The Operation Panel



Instruments on The Operation Panel\_001

1	Hour meter
---	------------

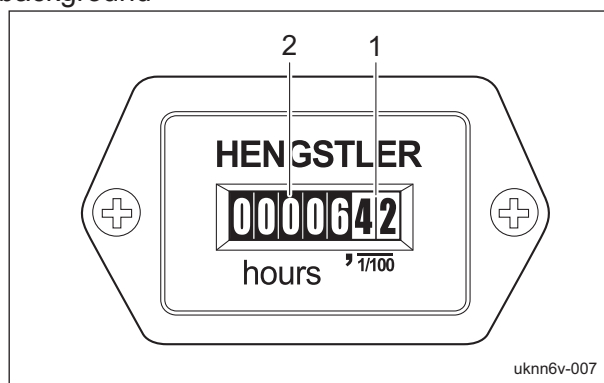
### Hour Meter

The hour meter indicates the accumulated operation time of the engine.

The number in red figures on a white background is incremented every thirty-six seconds.

The number in white figures on a black background is incremented every hour.  
1/100 wheel ... red figures on a white background

Hour wheel ... white figures on a black background



Hour Meter\_001

1	1/100 wheel
2	Hour wheel

# Handling Instructions

## Move

### Traveling Procedure

**Caution**

Under any circumstances drive the machine at such a speed that you can stop it immediately for emergencies.

**Important**

Do NOT start to move or stop the machine abruptly. It will damage the hydraulic system or result in oil leakage.

1. Start the engine.  
"Procedure to Start Engine" (Page 4-19)
2. Make sure that the rake section is raised.
3. Make sure that all the attachments are raised if any installed.
4. Firmly depress the brake pedal and release the lock fitting to release the brake pedal.
5. Slowly depress the traveling pedal.
6. The machine starts traveling.
7. Release the traveling pedal and depress the brake pedal to stop the machine.

### Towing The Machine

If the machine does not travel due to engine trouble, etc., you can move it by towing it.

**Important**

Do not touch the unload valve except when towing the machine.

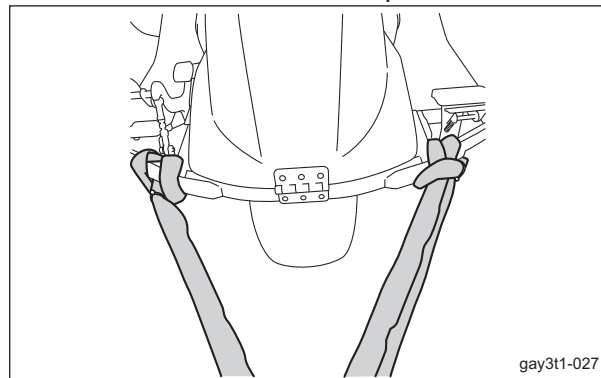
**Important**

Before restarting the engine, be sure to close the unload valve.

**Important**

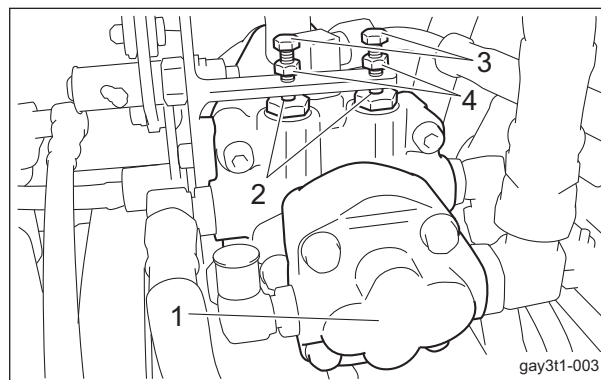
When towing the machine, travel at a speed no more than 3.0 km/h. In addition, do not tow the machine for more than 3 minutes. If the towing speed is too fast or there is excessive movement, the pump or motor will be damaged.

1. Stop the engine.  
"Procedure to Stop Engine" (Page 4-19)
2. Apply the parking brake.
3. Chock the wheels.
4. Secure the machine with ropes.



Towing The Machine\_001

5. Release the cover fastener.
6. Open the rear cover, and then lift it until the gas spring is fully extended.
7. Loosen the lock nuts.



Towing The Machine\_002

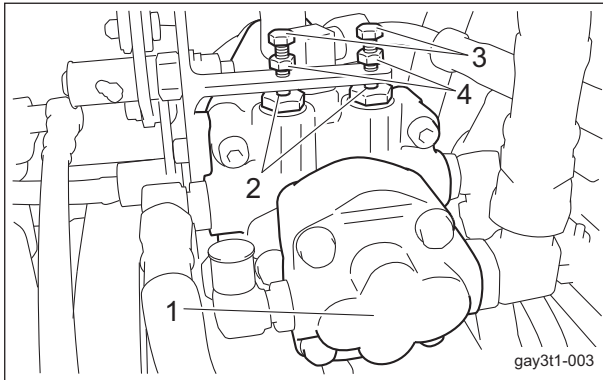
1	Piston pump
2	Unload valve operating pins
3	Bolt
4	Lock nut

# Handling Instructions

**Important**

When pushing in the unload valve operating pins, be careful about overtightening the bolts. It will damage the unload valve operating pins.

8. Tighten the bolts, and then push in the unload valve operating pins to open the unload valve.



Towing The Machine\_003

1	Piston pump
2	Unload valve operating pins
3	Bolt
4	Lock nut

**Important**

Before towing, be sure to open the unload valves in two locations.

9. Close the rear cover and apply the cover fastener.
10. Remove the wheel stopper.
11. Release the parking brake.

**Warning**

While towing, always keep your foot on the brake pedal and depress the brake pedal at any time to stop.

12. Tow the machine slowly.

## Operations

### Rake

**Warning**

Do NOT start to move or stop the machine abruptly.

**Caution**

Perform operations at an appropriate speed for the site and location.

**Caution**

Before starting operations, check that the area where the operations are to be performed is safe.

**Caution**

Before raising or lowering the rake, make sure that there are no people around the rake.

1. Start the engine.  
"Procedure to Start Engine" (Page 4-19)

**Important**

If the engine rpm is low, the rake will not be raised and lowered due to insufficient hydraulic oil. Move the throttle lever above the middle position toward "High speed".

2. Make sure that the rake section is raised.
3. Make sure that all the attachments are raised if any installed.
4. Firmly depress the brake pedal and release the lock fitting.  
The parking brake is released at the same time.
5. Move the throttle lever toward "High speed" to rev up the engine to MAX.

# Handling Instructions

## ⚠ Caution

Do not enter or leave a bunker via a steep slope or extremely uneven ground.

## Important

When switching between 2WD and 3WD operation, make sure to stop the machine completely.

6. Enter the bunker.

## Important

Do not back up with the rake, cultivator or finishing brush lowered.

7. Depress the traveling pedal to travel.

8. At the bunker area where the operation is to be started, shift the up/down switch lever to the "DOWN" position to lower the rake.

9. At the bunker area where the operation is to be stopped, shift the up/down switch lever to the "UP" position to raise the rake.

10. Leave the bunker.

11. If tire tracks remain, use the broom to remove them.

## Blade

## ⚠ Warning

Do NOT start to move or stop the machine abruptly.

## ⚠ Caution

Perform operations at an appropriate speed for the site and location.

## ⚠ Caution

Before starting operations, check that the area where the operations are to be performed is safe.

## ⚠ Caution

Before raising or lowering the rake, make sure that there are no people around the rake.

## ⚠ Caution

If the blade is raised, do not touch the lifting lever.

## ⚠ Caution

When getting on and off the machine, watch out the blade lever lest you should get your foot caught on it and fall.

1. Start the engine.

"Procedure to Start Engine" (Page 4-19)

## Important

If the engine rpm is low, the rake will not be raised and lowered due to insufficient hydraulic oil.

Move the throttle lever above the middle position toward "High speed".

2. Make sure that the rake section is raised.

3. Make sure that all the attachments are raised if any installed.

4. Firmly depress the brake pedal and release the lock fitting.  
The parking brake is released at the same time.

5. Move the throttle lever toward "High speed" to rev up the engine to MAX.

## ⚠ Caution

Do not enter or leave a bunker via a steep slope or extremely uneven ground.

## Important

When switching between 2WD and 3WD operation, make sure to stop the machine completely.

6. Enter the bunker.

## Important

Perform blade operations in 2WD.

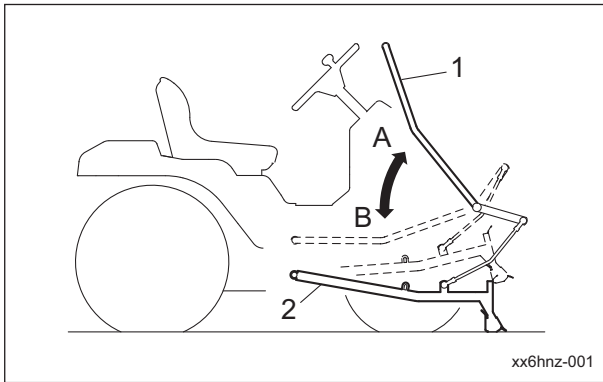
7. Shift the 2WD/3WD selector lever to the "2WD" position to operate in rear-wheel 2WD.

# Handling Instructions

**Important**

Do not back up with the rake, cultivator or finishing brush lowered.

8. Depress the traveling pedal to travel.
9. At the bunker area where the operation is to be started, repeatedly perform the following operations.
  - Move the blade lever forward to lower the blade, and then keep pushing the blade lever forward to lift the sand while driving forward.
  - Pull the blade lever toward you to raise the blade.



Blade\_005

1	Blade lever
2	Blade
A	Tilted up (blade lowered)
B	Pulled down (blade raised)

## Cultivator

**Warning**

Do NOT start to move or stop the machine abruptly.

**Caution**

Perform operations at an appropriate speed for the site and location.

**Caution**

Before starting operations, check that the area where the operations are to be performed is safe.

1. Start the engine.  
"Procedure to Start Engine" (Page 4-19)

**Important**

If the engine rpm is low, the rake will not be raised and lowered due to insufficient hydraulic oil.

Move the throttle lever above the middle position toward "High speed".

2. Make sure that the rake section is raised.
3. Make sure that all the attachments are raised if any installed.
4. Firmly depress the brake pedal and release the lock fitting.  
The parking brake is released at the same time.
5. Move the throttle lever toward "High speed" to rev up the engine to MAX.

**Caution**

Do not enter or leave a bunker via a steep slope or extremely uneven ground.

**Important**

When switching between 2WD and 3WD operation, make sure to stop the machine completely.

6. Enter the bunker.

**Important**

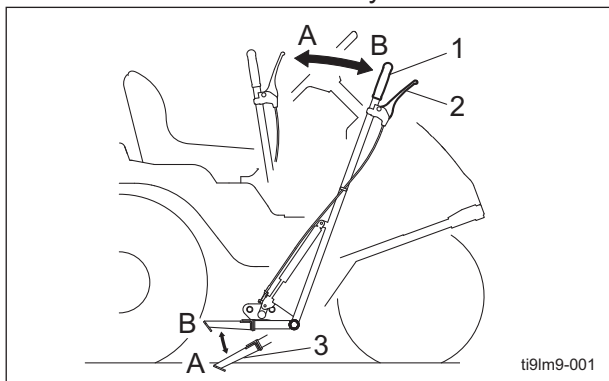
Do not back up with the rake, cultivator or finishing brush lowered.

7. Depress the traveling pedal to travel.



# Handling Instructions

- At the bunker area where the operation is to be started, squeeze the clutch lever and pull the cultivator lever toward you.



Cultivator\_004

1	Cultivator lever
2	Clutch lever
3	Cultivator board
A	Pull (lowered)
B	Push (raised)

- Lower the cultivator board to the desired depth, and then release the clutch lever.
- At the bunker area where the operation is to be stopped, squeeze the clutch lever and push the cultivator lever to raise the cultivator board.
- At the bunker area where the operation is to be started, shift the up/down switch lever to the "DOWN" position to lower the rake.
- At the bunker area where the operation is to be stopped, shift the up/down switch lever to the "UP" position to raise the rake.
- Leave the bunker.
- If tire tracks remain, use the broom to remove them.

## Finishing Brush

### **Warning**

Do NOT start to move or stop the machine abruptly.

### **Caution**

Perform operations at an appropriate speed for the site and location.

### **Caution**

Before starting operations, check that the area where the operations are to be performed is safe.

- Start the engine.  
"Procedure to Start Engine" (Page 4-19)

### **Important**

If the engine rpm is low, the rake will not be raised and lowered due to insufficient hydraulic oil.

Move the throttle lever above the middle position toward "High speed".

- Make sure that the rake section is raised.
- Make sure that all the attachments are raised if any installed.
- Firmly depress the brake pedal and release the lock fitting.  
The parking brake is released at the same time.
- Move the throttle lever toward "High speed" to rev up the engine to MAX.

### **Caution**

Do not enter or leave a bunker via a steep slope or extremely uneven ground.

- Enter the bunker.
- Stop the machine and apply the parking brake.

### **Important**

When switching between 2WD and 3WD operation, make sure to stop the machine completely.

- Adjust the height of the brush from the ground according to the bunker conditions.
- Release the parking brake.

### **Important**

Do not back up with the rake, cultivator or finishing brush lowered.

- Depress the traveling pedal to travel.
- At the bunker area where the operation is to be started, shift the up/down switch lever to the "DOWN" position to lower the rake.  
The finishing brush is lowered at the same time.



12. At the bunker area where the operation is to be stopped, shift the up/down switch lever to the "UP" position to raise the rake.  
The finishing brush is raised at the same time.
13. Leave the bunker.
14. If tire tracks remain, use the broom to remove them.

## Transporting

### Transporting Procedure

When loading the machine into a trailer or a truck to transport it, drive the machine in reverse. When unloading, drive the machine forward.

## Storage

### Before Long-Term Storage

1. Cleaning
  - Remove dirt, grass clippings, oil stains etc. completely from the main vehicle and engine.
2. Replacing oil
  - Inspect and replace the engine oil, hydraulic oil and element.
3. Greasing and lubricating
  - Supply oil and apply grease to appropriate parts.
4. Battery
  - Remove the negative battery wire.
5. Fuel
  - Remove the fuel from the fuel tank.
6. Tire pneumatic pressure
  - Set the tire air pressure slightly higher than normal, and then place the machine on a board to avoid humidity.
7. Storage location
  - Cover the machine and store it in a dry place where it will not be exposed to rain.

# Handling Instructions

---

<b>Maintenance Precautions .....</b>	<b>Page 5-2</b>
<b>Maintenance Schedule .....</b>	<b>Page 5-3</b>
Adjusted Values .....	Page 5-4
<b>Jacking Up The Machine .....</b>	<b>Page 5-5</b>
About Jacking Up The Machine .....	Page 5-5
Jack-Up Points .....	Page 5-5
<b>Greasing .....</b>	<b>Page 5-6</b>
About Greasing .....	Page 5-6
Greasing Points .....	Page 5-7
<b>Lubrication .....</b>	<b>Page 5-9</b>
About Lubrication .....	Page 5-9
Lubricating Points .....	Page 5-9
<b>Maintenance Work .....</b>	<b>Page 5-9</b>
Change of Fork Prong Bar .....	Page 5-9
Change of Small Blade .....	Page 5-10
Change of The Cultivator Fitting .....	Page 5-10
Change of Finishing Brush .....	Page 5-11
Removing/Installing Tires .....	Page 5-11
Adjustment of Belt Tension .....	Page 5-13
Adjustment of Steering Chain .....	Page 5-13
Adjustment of Brake .....	Page 5-14
Adjusting The Neutral Position of The Piston Pump .....	Page 5-15
Change of Hydraulic Oil .....	Page 5-16
Change of Hydraulic Oil Filter .....	Page 5-17
Change of Air Cleaner .....	Page 5-18
Change of Engine Oil .....	Page 5-18
Change of Engine Oil Filter .....	Page 5-19
Change of Fuel Filter .....	Page 5-19
Change of Fuse .....	Page 5-20

# Maintenance

---

## Maintenance Precautions

### Warning

The chapter "Maintenance" in this manual describes practical measures which should be performed by a mechanic with expertise. The owner should instruct the mechanic with expertise to perform maintenance service for this machine.

### Caution

First, learn well the maintenance operations you plan to perform.

### Important

Use tools appropriate for each maintenance operation.

### Important

For the safe and best performance of your machine, use Baroness genuine parts for replacement and accessories. Please note that our product warranty may be void if you use non-genuine parts for replacement or accessories.

Maintain the machine according to the maintenance schedule so that you will be able to take advantage of its optimum performance for a long period of time.

## Maintenance Schedule

SP05A

Follow the maintenance schedule below.

○ . . . Inspect, adjust, supply, clean

● . . . Replace (first time)

△ . . . Replace

Maintenance Item		Before work	After work	Every 8 hrs.	Every 10 hrs.	Every 50 hrs.	Every 100 hrs.	Every 200 hrs.	Every 250 hrs.	Every 300 hrs.	Every 400 hrs.	Every 500 hrs.	Every year	Every 2 years	Every 3 years	Every 4 years	Remarks	
Engine	Tightening the parts	○																
	Fuel	○																
	Fuel and oil leaks	○																
	Air cleaner	○																
	Engine oil	○		●		△											8 hrs (first time)	
	Engine oil filter	○				●	○											50 hrs (first time)
	Ignition plug					○	△											
	Oil cooler	○																
	Battery	○													△			
	Battery fluid	○																
	Cleaning the exterior		○															
Main vehicle	Tightening the parts	○																
	Tightening the wheel mounting bolt					○	○										50 hours first check, every 100 hours thereafter	
	Interlock system	○																
	Electrical wiring												○					
	Steering chain	○																
	Greasing, oiling					○												
	Tire	○																
	V-belt	○												△				
	Brake	○																
	Wire	○							△									
	Cover	○																
	Oil leakage	○																
	Hydraulic oil	○					●						△				100 hrs (first time)	
	Hydraulic oil filter						●						△				100 hrs (first time)	
Hydraulic hose (moving part)	○													△				

# Maintenance

Maintenance Item		Before work	After work	Every 8 hrs.	Every 10 hrs.	Every 50 hrs.	Every 100 hrs.	Every 200 hrs.	Every 250 hrs.	Every 300 hrs.	Every 400 hrs.	Every 500 hrs.	Every year	Every 2 years	Every 3 years	Every 4 years	Remarks
Main vehicle	Hydraulic hoses (Moving part) relating to steering													△			
	Hydraulic hose (fixed part)	○														△	
	Air cleaner	○						△									Refer to "Change of Air Cleaner"
	Fuel strainer	○					○						△				
	Fuel pipe	○															
	Cleaning the exterior		○														

- For engine maintenance, refer to the Engine's Owner's Manual.
- The values for consumables are not guaranteed.
- Be sure to replace hydraulic hoses for steering cylinder and hydraulic hoses for hydraulic motor of wheel relating to steering every two years.

## Adjusted Values

Belt		Approximately 10 mm/98 N (10 kgf)	Belt slack
Steering chain		Approximately 5 mm (0.20 in)	Steering chain slack
Rake	Fork depth (standard)	15 mm (0.59 in)	
Blade	Arm stopper	23 mm (0.91 in)	
	Raised height	200 mm (7.87 in)	
	Exposed length of screw shaft from spherical joint	65 mm (2.56 in)	
	Exposed length of threaded end of connecting shaft	20 mm (0.79 in)	
	Installation depth of spherical joint	15 mm (0.59 in)	

## Jacking Up The Machine

### About Jacking Up The Machine

**Warning**

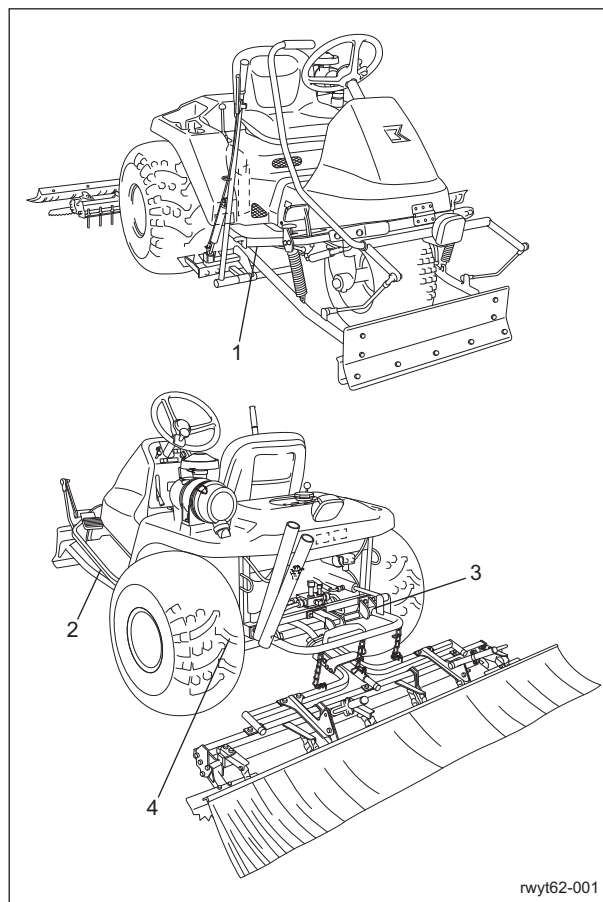
When replacing a tire or beginning any other maintenance or repairs, be sure to chock the wheels to prevent the machine from moving. Before jacking up the machine, park it on a hard, flat surface such as a concrete floor and remove any obstacles that could prevent you from performing the work safely. When necessary, use an appropriate chain block, hoist, or jack. Support the machine securely with jack stands or appropriate blocks. Failure to do so may cause the machine to move or fall, resulting in injury or death.

**Important**

Only place a jack under the jack-up points specified. Placing a jack at any other point will result in damage to the frame or other parts.

Use the jack-up points identified in this manual when jacking up the machine.

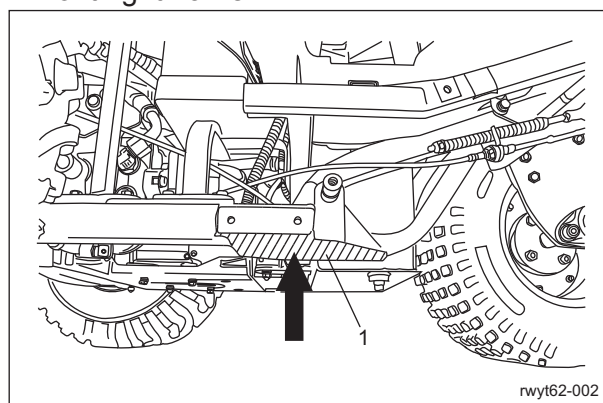
### Jack-Up Points



Jack-Up Points\_001

	Jack-up Points
1	Front right frame
2	Front left frame
3	Rear right frame
4	Rear left frame

#### 1. Front right frame



Jack-Up Points\_002

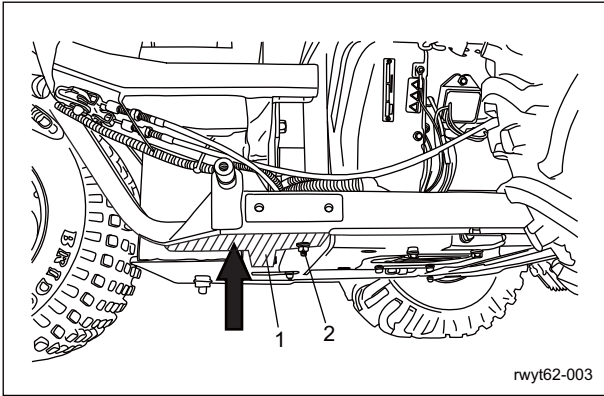
1	Reinforcing plate
---	-------------------

# Maintenance

## 2. Front left frame

**Important**

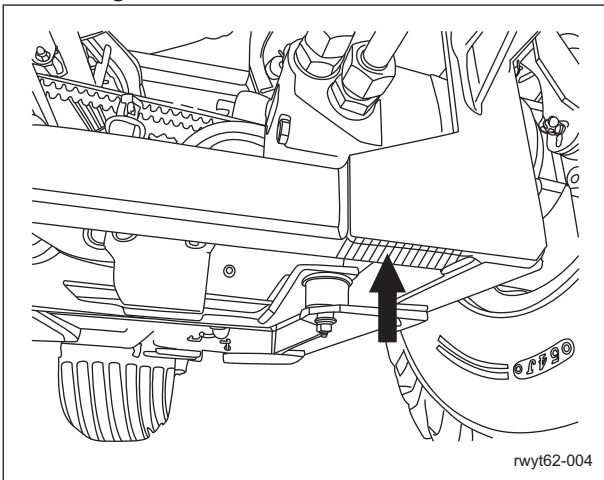
One nut is used to install the reinforcing plate. Be careful that the jack does not hit the nut.



Jack-Up Points\_003

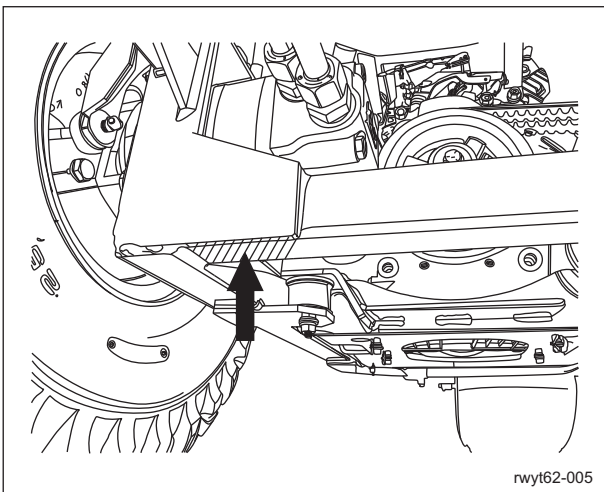
1	Reinforcing plate
2	Nut

## 3. Rear right frame



Jack-Up Points\_004

## 4. Rear left frame



Jack-Up Points\_005

## Greasing

### About Greasing

Since there may be adhesion or damage due to lack of grease on moving parts, they must be greased.

Add urea-based No. 2 grease in accordance with the Maintenance Schedule.

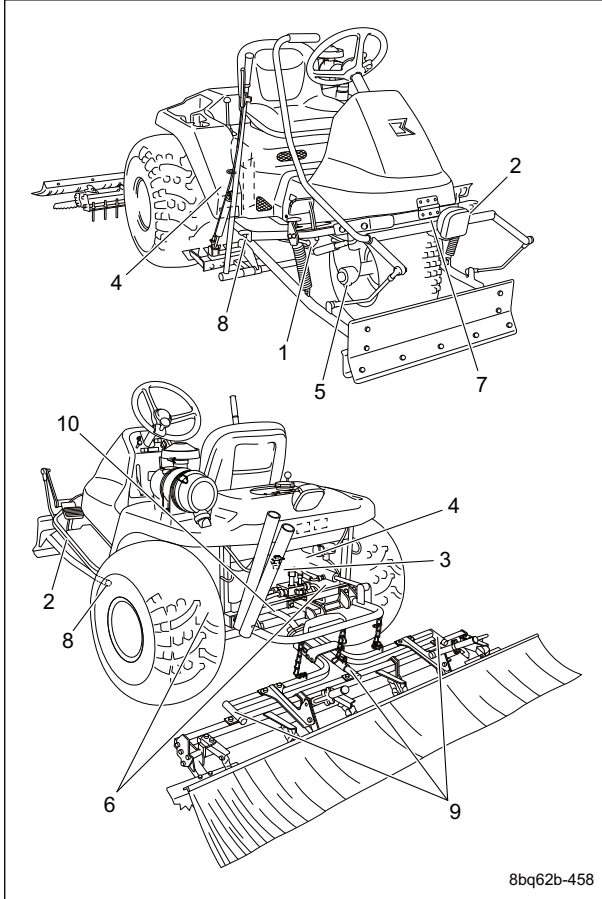
Other locations where the specified grease or lubricant is used are indicated in "Greasing Points".

Add grease using the specified grease or lubricant.



## Greasing Points

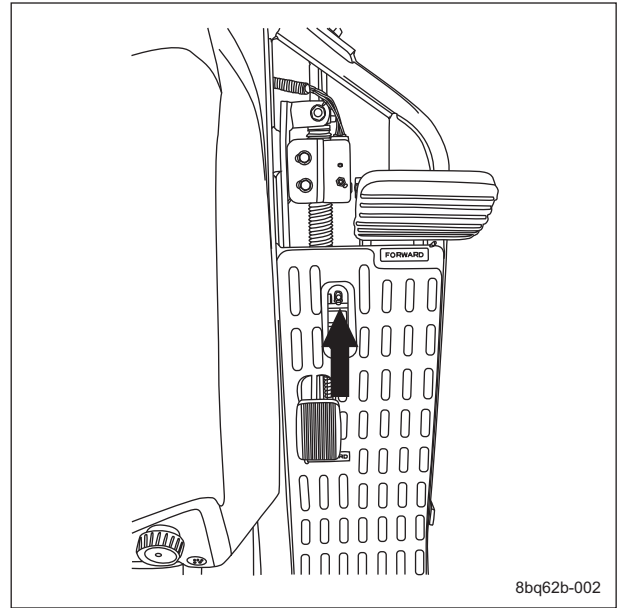
Grease nipples are installed in the following locations. Add grease every 50 hours of operation.



Greasing Points\_001

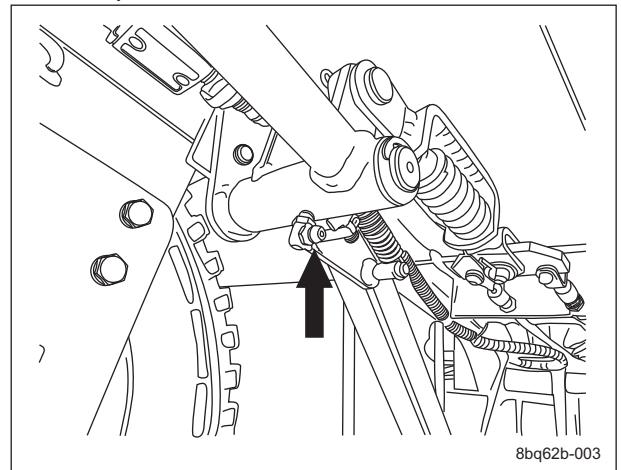
	Location	No. of Greasing Points	
		2WD	3WD
1	Traveling pedal fulcrum	1	1
2	Brake pedal fulcrum	1	1
3	Belt tension lever	1	1
4	Pump neutral lever fulcrum	1	1
5	Front wheel shaft rhombic flange unit	2	1
6	Rear wheel brake lever fulcrum	2	2
7	Blade lever fulcrum	1	1
8	Blade arm fulcrum	2	2
9	Rake mount	3	3
10	Rake fulcrum	1	1

### 1. Traveling pedal fulcrum



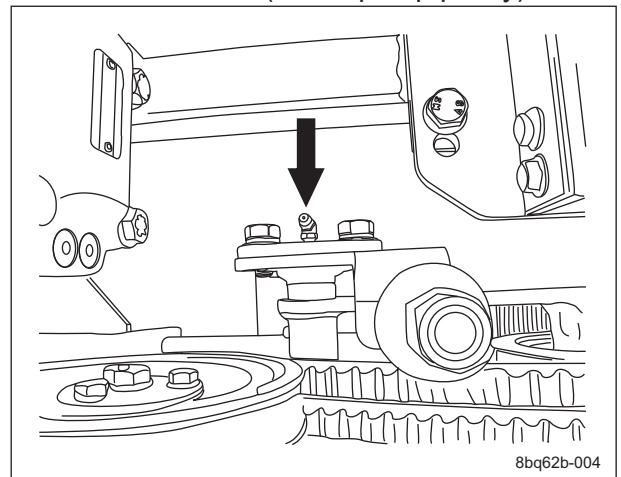
Greasing Points\_002

### 2. Brake pedal fulcrum



Greasing Points\_003

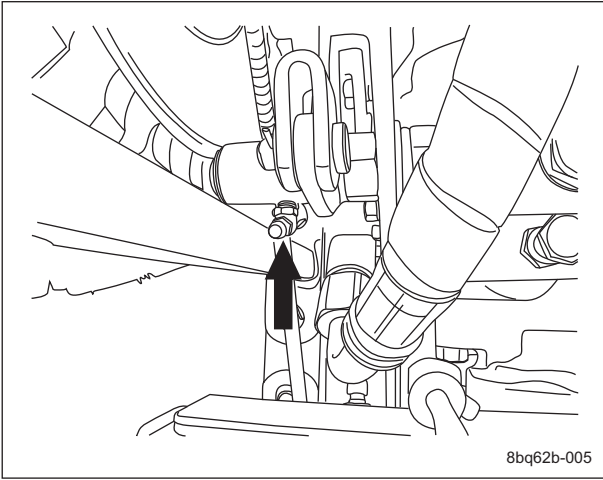
### 3. Belt tension lever (below pump pulley)



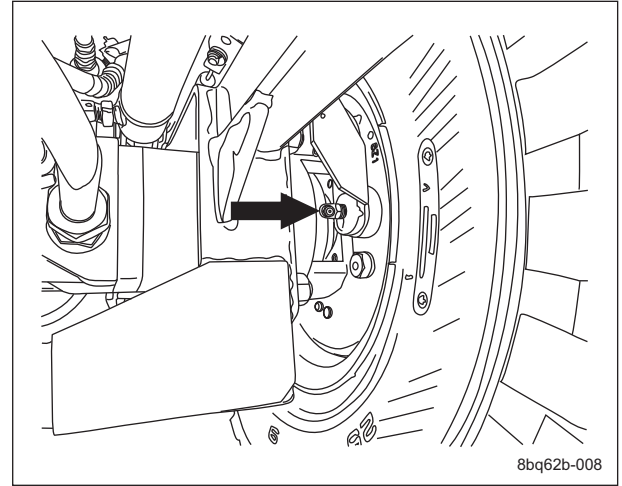
Greasing Points\_004

# Maintenance

## 4. Pump neutral lever fulcrum (above piston pump)

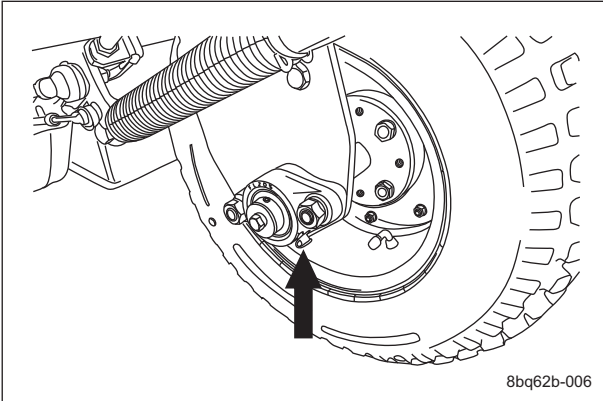


Greasing Points\_005



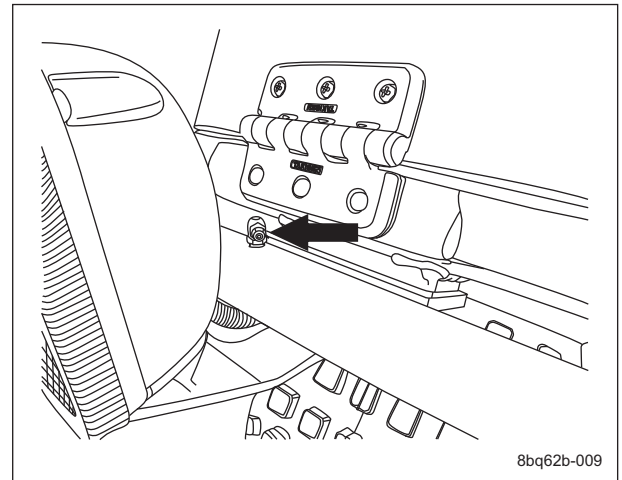
Greasing Points\_008

## 5. Front wheel shaft rhombic flange unit



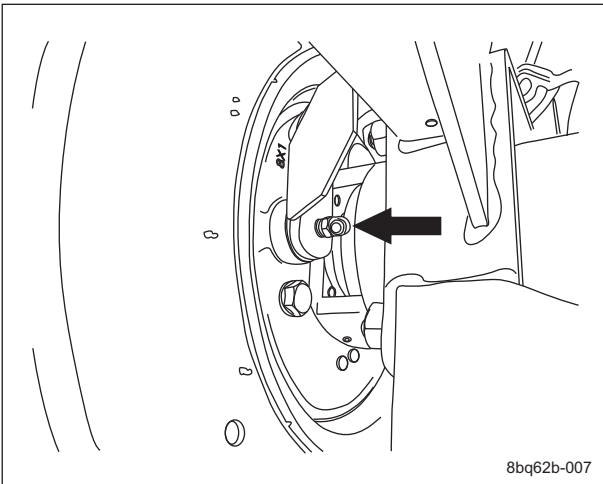
Greasing Points\_006

## 7. Blade lever fulcrum



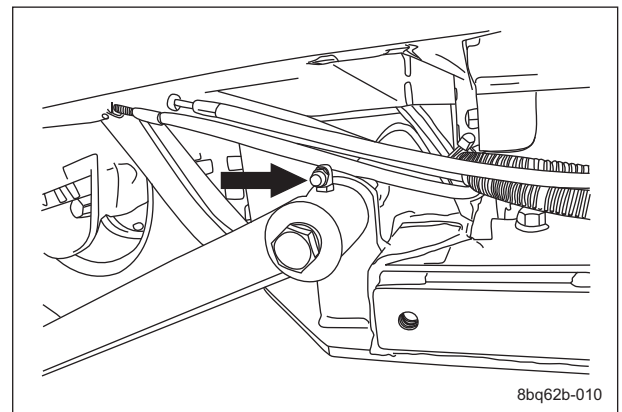
Greasing Points\_009

## 6. Rear wheel brake lever fulcrum



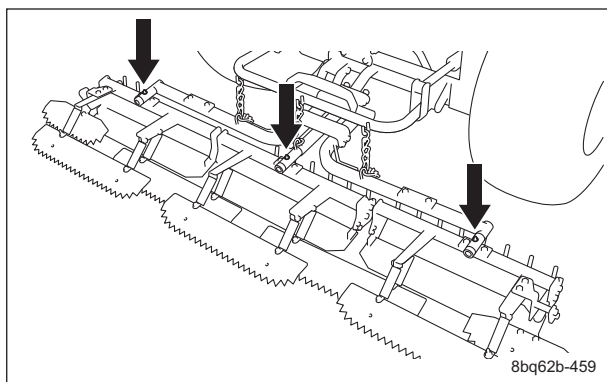
Greasing Points\_007

## 8. Blade arm fulcrum



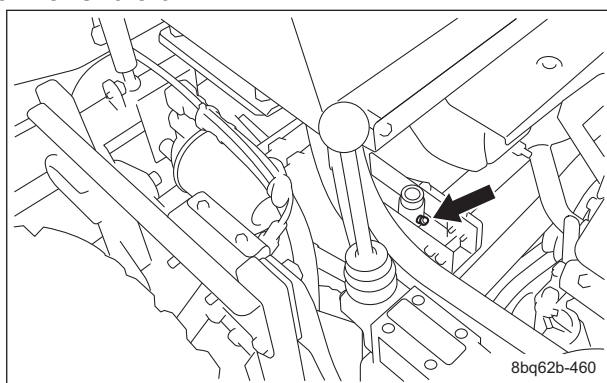
Greasing Points\_010

## 9. Rake mount



Greasing Points\_011

## 10. Rake fulcrum



Greasing Points\_012

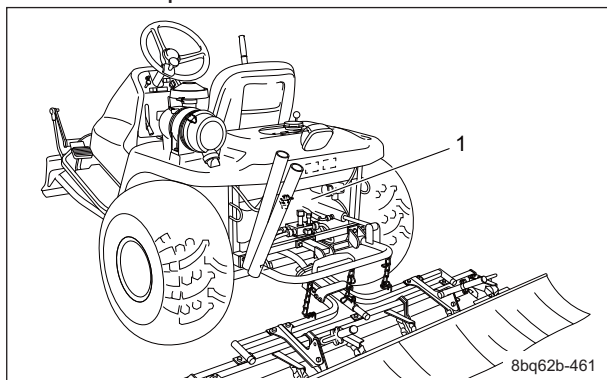
## Lubrication

### About Lubrication

It is necessary to lubricate moving parts so that they will not become stuck or damaged. The locations where lubricant is used are indicated in "Lubricating Points". Apply the lubricant.

### Lubricating Points

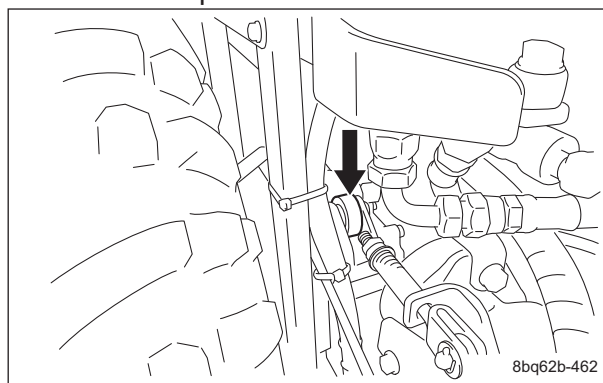
Apply lubricant at the following locations every 50 hours of operation.



Lubricating Points\_001

	Location	No. of lubricating points
1	Rake up/down cylinder spherical bearing	1

1. Rake up/down cylinder spherical bearing  
There is one point.



Lubricating Points\_002

## Maintenance Work

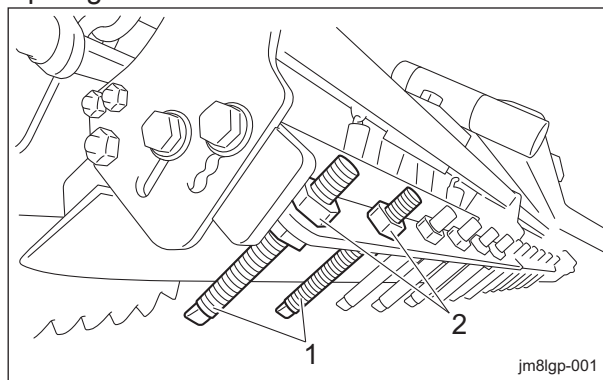
### Change of Fork Prong Bar

**⚠ Caution**

Wear gloves when touching a fork prong bar.

When wear of the fork prong bar results in no margin for tightening the nut on the fork prong bar, replace the fork prong bar.

1. Loosen the nut, and then replace the fork prong bar.



Change of Fork Prong Bar\_001

1	Fork prong bar
2	Nut

2. Adjust the fork prong bar.  
"Adjustment of Rake" (Page 4-17)
3. Tighten the nut.

# Maintenance

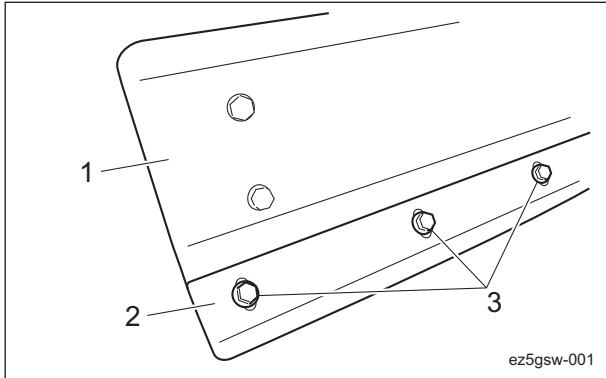
## Change of Small Blade

Note:

Depending on the specifications, this function may not be available.

When wear of the small blade causes a reduction in the amount of sand that is lifted up, replace the small blade.

1. Loosen the bolts installing the small blade, and then replace the small blade.



Change of Small Blade\_001

1	Blade
2	Small blade
3	Bolt

2. Adjust the small blade.  
"Adjustment of Blade" (Page 4-18)
3. Tighten the bolts.

## Change of The Cultivator Fitting

Note:

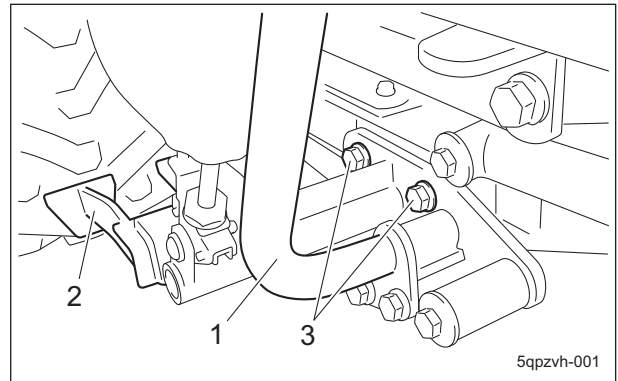
Depending on the specifications, this function may not be available.

**Caution**

When removing the cultivator, be careful not to pinch your hands.

When wear of the trapezoidal cultivator fitting disables unhardening the sand, replace the trapezoidal cultivator fitting.

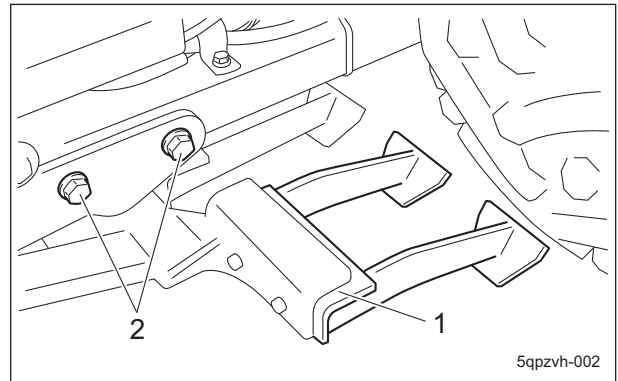
1. Remove the bolts at the bottom of the machine on the right side.



Change of The Cultivator Fitting\_001

1	Lever pipe
2	Trapezoidal cultivator fitting
3	Bolt

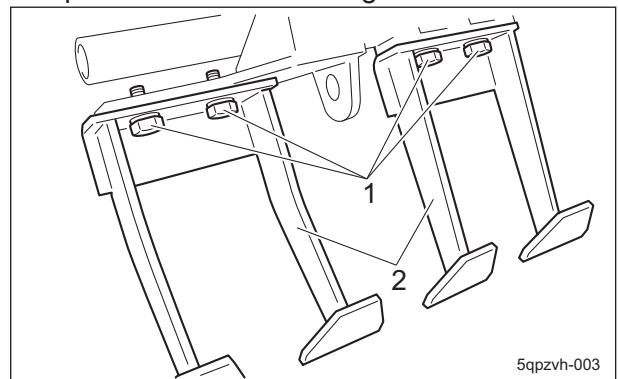
2. Remove the bolts at the bottom of the machine on the left side.



Change of The Cultivator Fitting\_002

1	Cultivator
2	Bolt

3. Pull out the cultivator from the bottom of the machine.
4. Remove the bolts, and then replace the trapezoidal cultivator fittings.



Change of The Cultivator Fitting\_003

1	Bolt
2	Trapezoidal cultivator fitting

5. Tighten the bolts for the trapezoidal cultivator fitting.

**⚠ Caution**

When installing the cultivator, pay attention to its falling.

6. Install the cultivator to the machine with bolts.

## Change of Finishing Brush

Note:

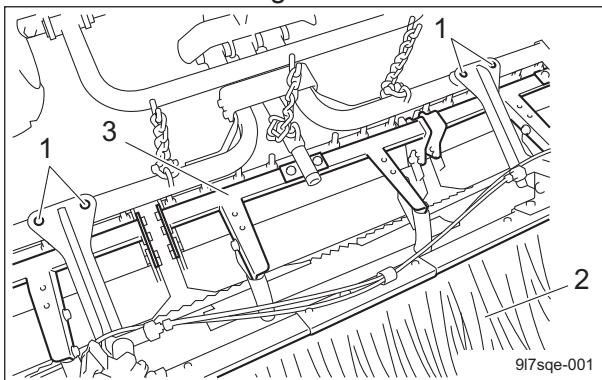
Depending on the specifications, this function may not be available.

**⚠ Caution**

Be careful since the finishing brush is heavy.

When wear of the finishing brush results in rake tracks remaining, replace the finishing brush.

1. Remove the bolts from the rake, and then remove the finishing brush.



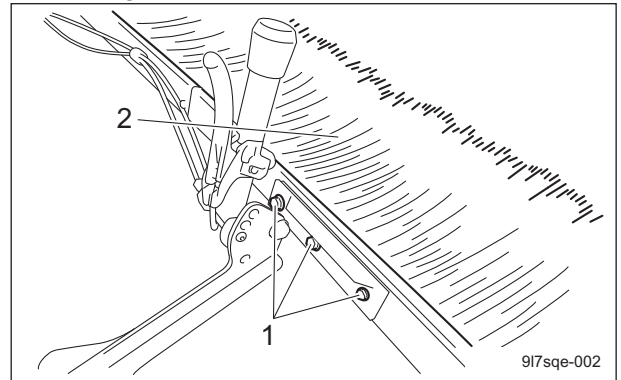
Change of Finishing Brush\_001

1	Bolt
2	Finishing brush
3	Rake

**⚠ Caution**

Place the finishing brush on level surface.

2. Remove the bolts, and then replace the finishing brush.



Change of Finishing Brush\_002

1	Bolt
2	Finishing brush

3. Tighten the bolts.

## Removing/Installing Tires

### Front Tire

Follow the steps below to remove the front tire:

1. Securely place the jack beneath the jack-up points of the front left/right frame area, and then raise it until the tire lifts off the ground. "Jack-Up Points" (Page 5-5)

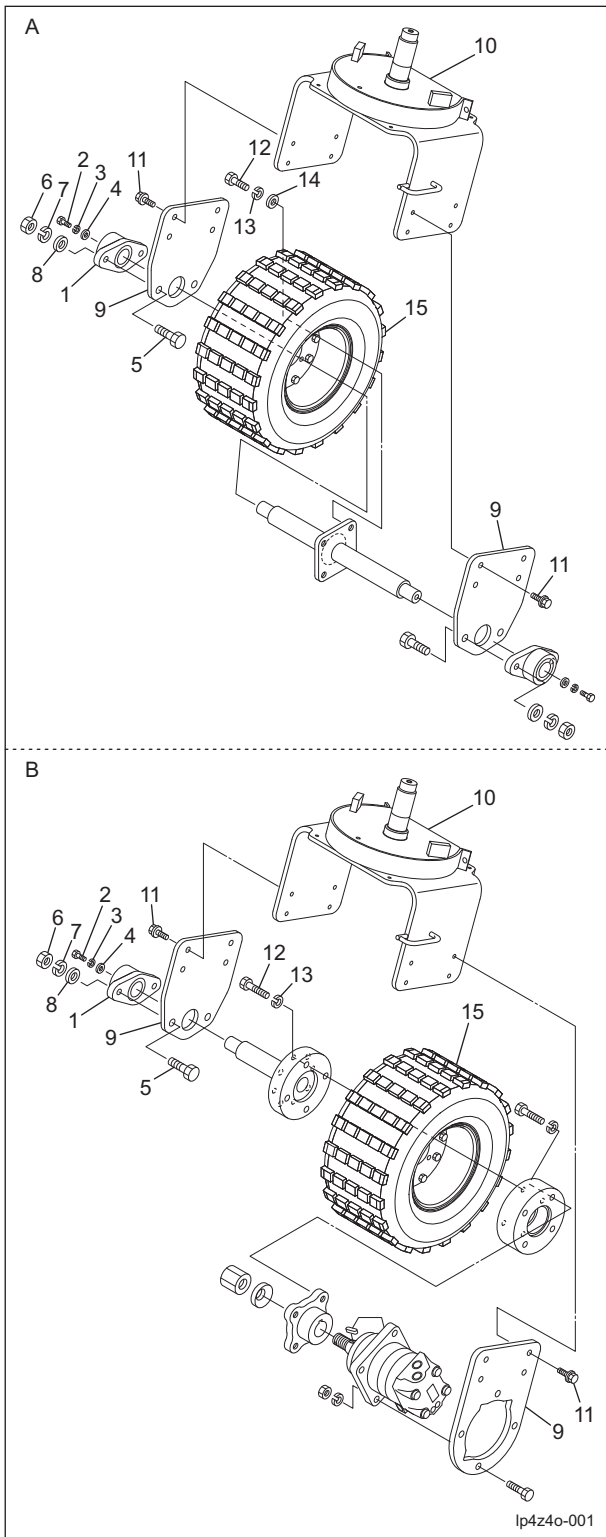
**Important**

The installed parts differ according to 2WD and 3WD specifications.

2. Follow the steps below to remove the tire.
  - [1] Loosen the lock bolts (2 locations) for the right rhombic flange unit, and then remove bolt A.
  - [2] Remove bolt B and nut B of the right rhombic flange unit, and then remove the right rhombic flange unit.
  - [3] Remove bolt C, attaching the left and right front wheel bracket to the front wheel arm, and then lower the front wheel to the floor.
  - [4] Remove the wheel mounting bolt, and then remove the tire.



# Maintenance



Front Tire\_001

lp4z4o-001

A	2WD specifications
B	3WD specifications
1	Rhombic flange unit
2	Bolt A
3	Spring washer A
4	Washer A
5	Bolt B
6	Nut B
7	Spring washer B
8	Washer B
9	Front wheel bracket
10	Front wheel arm
11	Bolt C
12	Wheel mounting bolt
13	Spring washer C
14	Washer C
15	Front wheel

**Important**

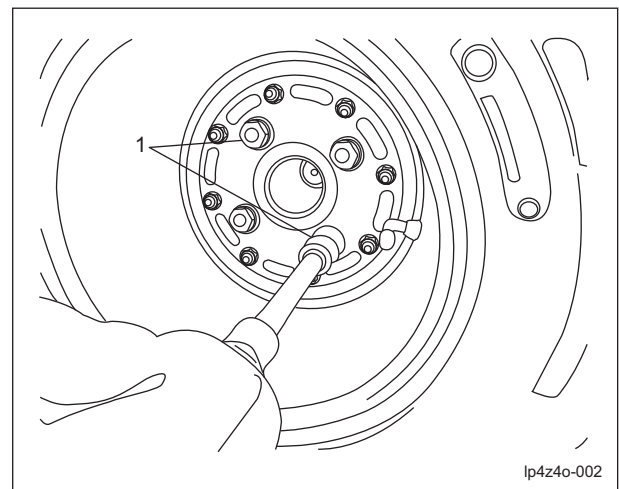
Tighten the bolts in the tightening order (crosswise).

For installing the front tires, reverse the removing procedure.

**Rear Tires**

Follow the steps below to remove the rear tires:

1. Loosen the bolts.



Rear Tires\_001

lp4z4o-002

1	Bolt
---	------

2. Securely place the jack beneath the jack-up point of the rear left/right frame area, and then raise it until the tire lifts off the ground. "Jack-Up Points" (Page 5-5)

3. Remove the bolts.
4. Remove the tire from the wheel mounting seat.

**Important**

Tighten the bolts in the tightening order (crosswise).

For installing the rear tires, reverse the removing procedure.

### Adjustment of Belt Tension

**Warning**

Be sure to stop the engine before adjusting the belts.

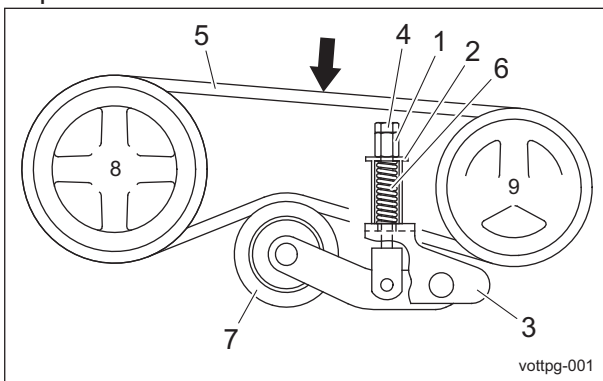
**Important**

Before making sure of belt tension, rotate the belt several times.

If the belt becomes slack due to frequent use, it may jump or slip.  
 In addition, if it is overtightened, it may wear prematurely.  
 If necessary, adjust it, and always check the belt for appropriate tension.

### Adjustment of Pump Drive Belt

1. The belt tension is appropriate when there is approximately 10 mm (0.39 in) of slack when the belt is pressed lightly by finger at 98 N (10 kgf) around the center section between the belt pulleys (arrow in the diagram).
2. Tighten the high nut until there is no clearance between the spring cover and the tension fulcrum fitting, and then lock it in place with the nut.



Adjustment of Pump Drive Belt\_001

1	High nut
2	Spring cover
3	Tension fulcrum fitting
4	Nut
5	Belt
6	Spring
7	Tension pulley
8	Engine pulley
9	Pump pulley

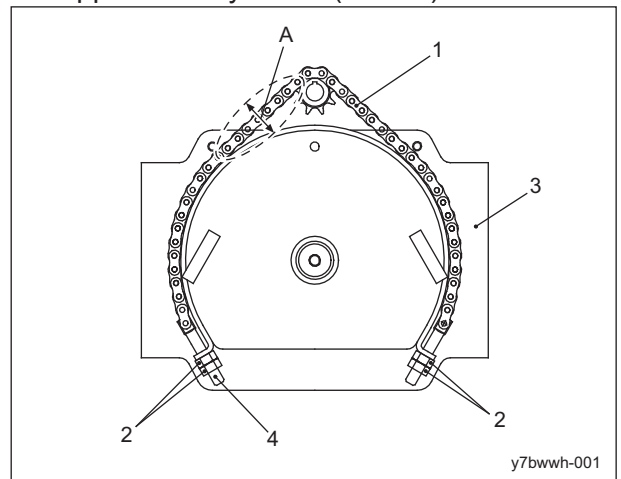
### Adjustment of Steering Chain

Excessive play with a loose steering chain may stretch the chain further while you may feel a heavy steering wheel with an excessively tight chain and the chain and wheel may wear prematurely.

**Important**

Make sure that the steering chain has the specified amount of slack.

1. Open the front cover.
2. With the nuts on each end of the steering chain, adjust the chain tension so that there is approximately 5 mm (0.20 in) of slack.



Adjustment of Steering Chain\_001

1	Steering chain
2	Nut
3	Front wheel arm
4	Adjustment screw
A	5 mm (0.20 in)

3. After making adjustments, firmly secure the nuts.

# Maintenance

## Adjustment of Brake

**Caution**

Make sure that the brake wire is not cracked or damaged.

**Caution**

If the brake is not sufficiently effective, adjust the brake wire.

**Caution**

Perform the adjustment with the engine stopped.

Adjust the brake by tightening the brake wire adjustment bolt and the spring rod.

### Adjustment of Adjustment Bolt

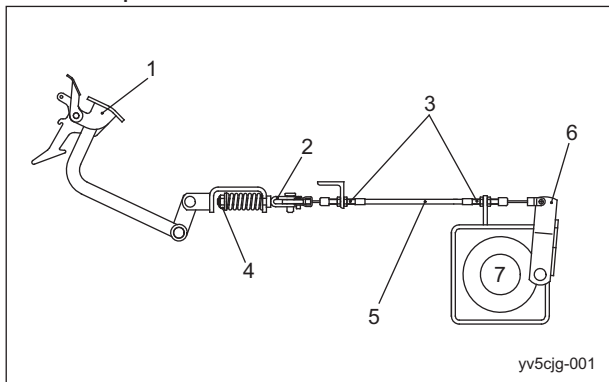
When the brake wire is stretched, the play of the brake pedal may become large, the braking effectiveness may become worse and the brake pedal may lock.

**Important**

Adjust the play of the brake lever so that it is as small as possible and the brakes do not drag when the lever is released.

Adjust the brake wire adjustment bolts to adjust the pull length for the brake lever.

- If the brake lever play is too large, the braking power will be decreased and the brake pedal will be soft.
- If the brake lever play is too small, the braking power will be increased and the brake pedal will be hard.



Adjustment of Adjustment Bolt\_001

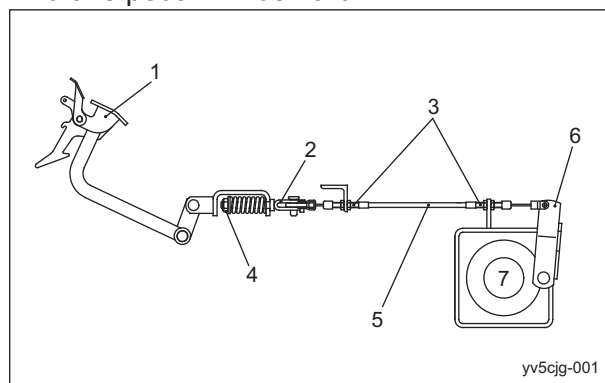
1	Brake pedal
2	Spring rod
3	Adjustment bolt
4	Nut
5	Brake wire
6	Brake lever
7	Rear wheel

### Adjustment of Spring Rod

If the spring becomes shorter from depressing the brake pedal, the brakes may become insufficiently effective.

Adjust the spring rod nut to adjust the braking power and operating force of the brake pedal.

- If the brake lever play is too large, the braking power will be weak and the brake pedal will be soft.
- If the brake lever play is too small, the braking power will be excessive and the brake pedal will be hard.



Adjustment of Spring Rod\_001

1	Brake pedal
2	Spring rod
3	Adjustment bolt
4	Nut
5	Brake wire
6	Brake lever
7	Rear wheel

### Break-In of Brakes

If the brake shoes or brake pads are worn, replace them with new ones.

Immediately after replacement, drive to break in the brakes if the effectiveness of the brakes is low.

While driving, lightly operate the brakes to break in the contact areas.

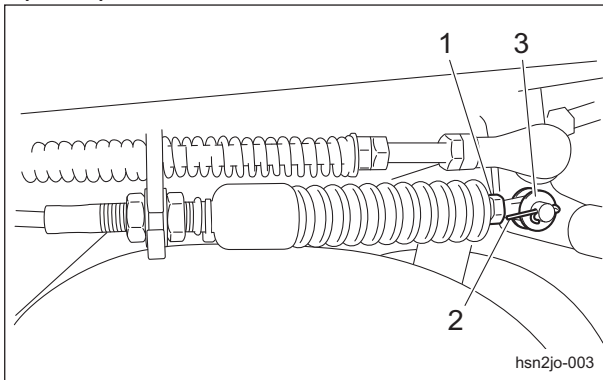


## Adjusting The Neutral Position of The Piston Pump

If the machine moves forward or backward while the traveling pedals are released, they are not set to the neutral position.

Follow the steps below to make adjustments.

1. Stop the engine.
2. Remove the cotter pin and washer at the pedal end, and then remove the end of the push-pull cable.



Adjusting The Neutral Position of The Piston Pump\_001

1	Push-pull cable
2	Cotter pin
3	Washer

3. Place the jacks securely beneath the jack-up points, and then lift the machine off the ground.

Use stable jack stands, and raise the machine until the tires lift off the ground.

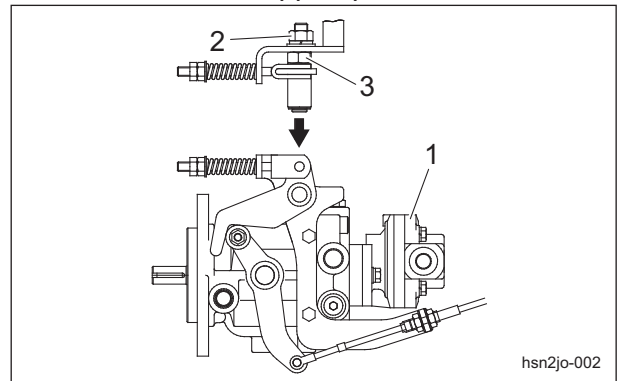
"Jack-Up Points" (Page 5-5)

4. Start the engine, and rev it up to the maximum rpm.
5. Set the 2WD/3WD selector lever to the "2WD" position.

### Warning

When adjusting the neutral position, exercise care so that the hand does not get entangled in the rotating parts.

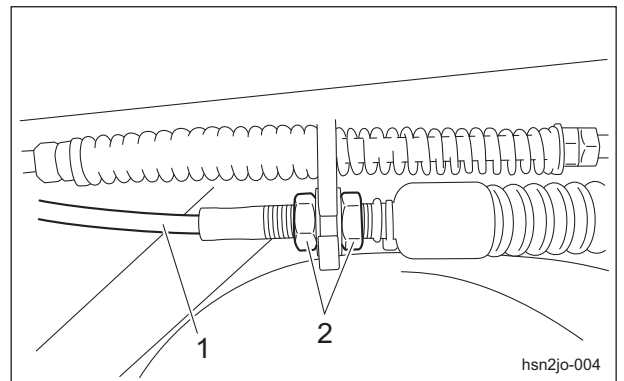
6. Slowly turn the camshaft until the rear wheel stops, and then use the nut to lock the camshaft at the stopped position.



Adjusting The Neutral Position of The Piston Pump\_002

1	Piston pump
2	Nut
3	Camshaft

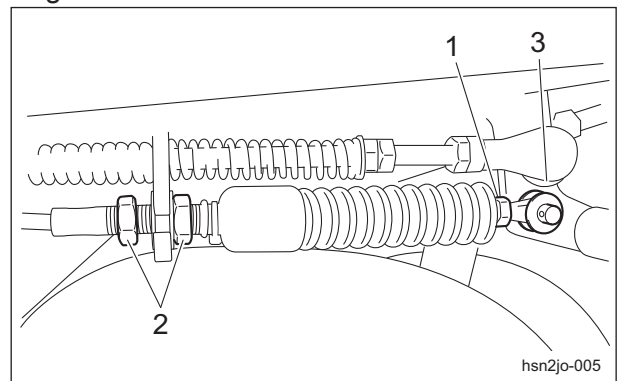
7. Loosen the lock nuts.



Adjusting The Neutral Position of The Piston Pump\_003

1	Push-pull cable
2	Lock nuts

8. Adjust the end of the push-pull cable at the pedal end so that it attaches to the connection point on the pedal, and then tighten the lock nuts.

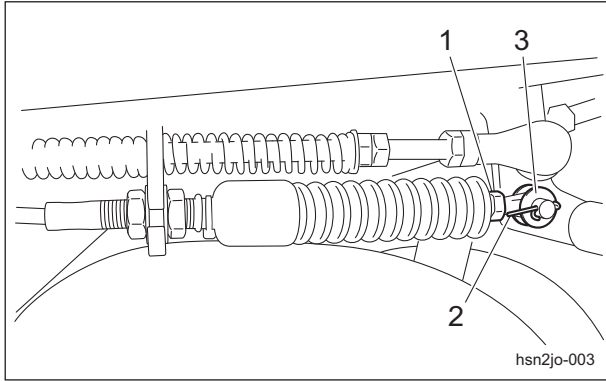


Adjusting The Neutral Position of The Piston Pump\_004

# Maintenance

1	Push-pull cable
2	Lock nuts
3	Connection point on pedal

9. Insert the push-pull cable, and then install the washer and cotter pin.



Adjusting The Neutral Position of The Piston Pump\_005

1	Push-pull cable
2	Cotter pin
3	Washer

## Change of Hydraulic Oil

### ⚠ Caution

Be careful with hot oil, which could cause burns if it contacts your skin.

### Important

If the oil emulsifies or if it becomes even slightly less transparent, change the oil immediately.

### Important

When you change the hydraulic oil, be sure to drain it into a bowl and discard it in accordance with local laws and regulations.

### Important

Use Shell Tellus S2V32 (or equivalent) as hydraulic oil.

In case of an equivalent, consult Characteristics of Hydraulic Oil and use hydraulic oil whose characteristics are superior to those of the specific hydraulic oil. Especially regarding kinematic viscosity and viscosity index, use of hydraulic oil whose figures are less than those of the specified hydraulic oil will cause a malfunction in the hydraulic circuit.

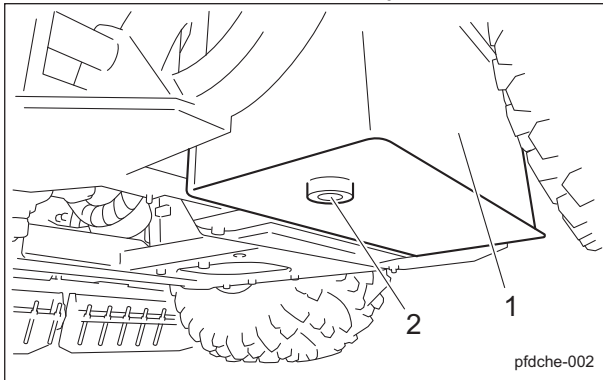
### Note:

#### Characteristics of Hydraulic Oil

Specified Hydraulic Oil		Shell Tellus S2V32
ISO Viscosity Grade		ISO VG32
Density	15 °C (59 °F)	0.869 g/cm <sup>3</sup> (0.0313 lb/in <sup>3</sup> )
API Gravity		31.3
Flash Point (Open Cup)		202 °C (396 °F)
Pour Point		-40 °C (-40 °F)
Kinematic Viscosity	40 °C (104 °F)	32 mm <sup>2</sup> /s (32 cSt)
	100 °C (212 °F)	6.1 mm <sup>2</sup> /s (6.1 cSt)
Viscosity Index		141

1. Follow the steps below to remove the old oil.
  - [1] Start and run the engine to warm up the oil.
  - [2] On a level surface, lower the rake, and then stop the engine.
  - [3] Remove the drain plug of the hydraulic tank, and then drain the old oil into a container.

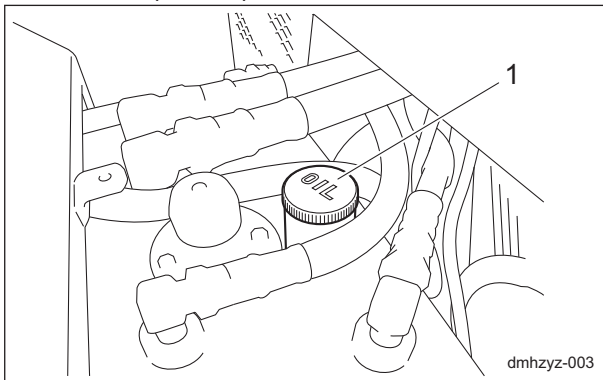
[4] Wind new sealing tape on the drain plug, and then attach it to the hydraulic tank.



Change of Hydraulic Oil\_001

1	Hydraulic tank
2	Drain plug

- Open the tank cap, and then pour new oil from the fill port until the oil level reaches the middle of the oil gauge on the hydraulic tank. The hydraulic tank capacity is approximately 15.0 dm<sup>3</sup> (15.0 L).



Change of Hydraulic Oil\_002

1	Tank cap
---	----------

- Tighten the tank cap securely.
- Start the engine, raise and lower the rake, and repeatedly move forward and backward several times with the rake raised.
- Raise the rake and maintain that position on a level surface, and then check to see if the oil level is at the middle of the oil gauge. If necessary, supply oil.
- Check underneath the machine for oil leakage.

## Change of Hydraulic Oil Filter

**Caution**

Be careful with hot oil, which could cause burns if it contacts your skin.

**Important**

If the hydraulic oil emulsifies or if it becomes even slightly less transparent, change the oil immediately.

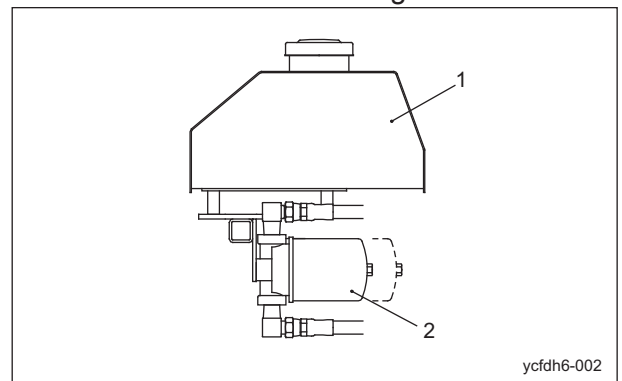
**Important**

When replacing the hydraulic oil filter, be sure to drain the oil into a container and discard it in accordance with local laws and regulations.

**Important**

Use Shell Tellus S2V32 (or equivalent) as hydraulic oil.

- Remove the old filter cartridge.



Change of Hydraulic Oil Filter\_001

1	Fuel tank
2	Filter cartridge

- Lightly coat the packing of the new filter cartridge with hydraulic oil, and then install the cartridge.
- Screw in the filter by hand until the packing contacts the mounting surface. Then tighten additional 1/2 turn from that point.
- Supply hydraulic oil until it reaches the specified level.  
"Hydraulic Oil Supply" (Page 4-4)
- Start the engine, and then stop it after 10 to 20 minutes.

# Maintenance

6. Make sure that there is no oil leakage at the sealing surface of the filter cartridge.
7. Check the hydraulic oil level.  
If it is low, supply hydraulic oil until it reaches the specified level.

## Change of Air Cleaner

A contaminated air cleaner element may cause malfunction of the engine.

To maximize the life of the engine, replace the air cleaner element at the appropriate times.

1. The timing for replacing the air cleaner element is described below.
  - [1] Replace the air cleaner element in accordance with the Maintenance Schedule.
  - [2] If it is significantly contaminated, replace it, even if the hours of operation do not exceed the specified time.
2. Replace the air cleaner element by following the same steps as for cleaning the air cleaner.  
"Cleaning of Air Cleaner" (Page 4-6)

## Change of Engine Oil

### Caution

Be careful with hot oil, which could cause burns if it contacts your skin.

### Important

When you change the engine oil, be sure to drain it into a bowl and discard it in accordance with local laws and regulations.

### Important

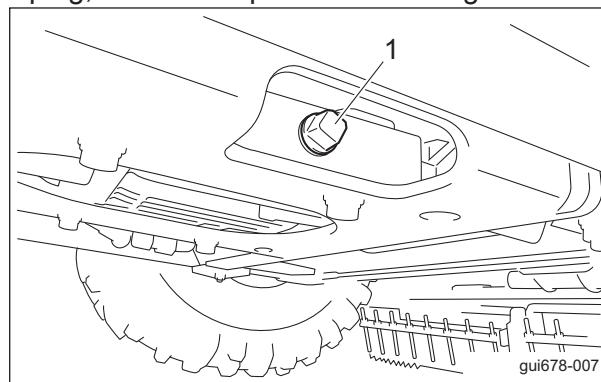
Be sure to use engine oil that is classified as API Service Grade SF or higher, with an SAE Viscosity that is appropriate for the operating environment (ambient temperature).

### Important

Securely tighten the oil level gauge and oil filler cap.

Change the engine oil more frequently if the engine oil is contaminated and, especially, if you use the machine in dusty areas or operate the engine at high loads or in high temperatures.

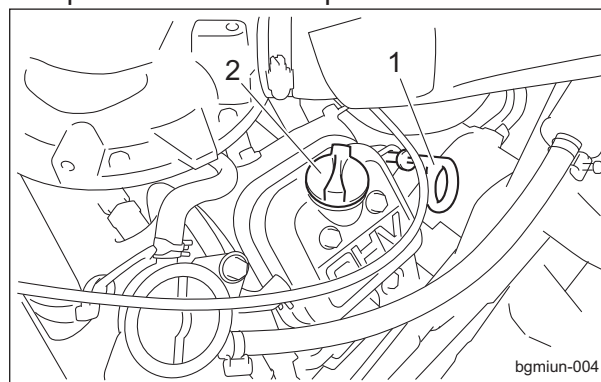
1. Move the machine onto a level surface and stop the engine.
2. Remove the drain plug while the engine oil is warm, and then drain the oil into a bowl.
3. Wind new sealing tape around the drain plug, and then replace it in the engine.



Change of Engine Oil\_001

1	Drain plug
---	------------

4. Remove the oil filler cap, and then supply new engine oil until the oil reaches a level in between the upper and lower limit lines on the oil level gauge.
5. Supply 1.0 dm<sup>3</sup> (1.0 L) of engine oil, remove the oil level gauge, and then insert it all the way to check the oil level.  
After checking the oil level with the oil level gauge, add more engine oil if it is insufficient. The engine oil quantity (including the oil filter) is approximately 1.6 dm<sup>3</sup> (1.6 L).
6. Replace the oil filler cap.



Change of Engine Oil\_002

1	Oil level gauge
2	Oil filler cap

- It will take a while for the supplied engine oil to descend into the oil pan.  
Check the oil level again 10 to 20 minutes after supplying the oil.

## Change of Engine Oil Filter

### Caution

Be careful with hot oil, which could cause burns if it contacts your skin.

### Important

When replacing the engine oil filter, be sure to drain the engine oil into a container and discard it in accordance with local laws and regulations.

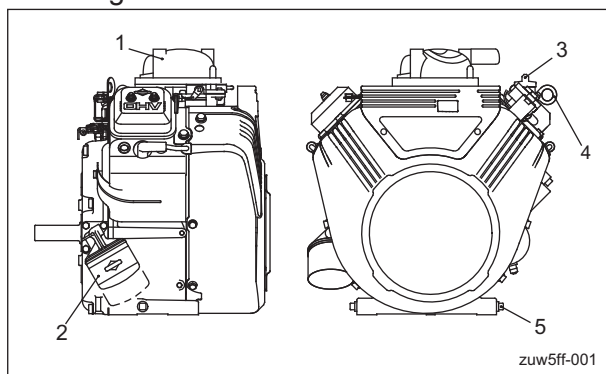
### Important

Be sure to use engine oil that is classified as API Service Grade SF or higher, with an SAE Viscosity that is appropriate for the operating environment (ambient temperature).

### Important

Securely tighten the oil level gauge and oil filler cap.

- With the filter wrench, remove the old filter cartridge.



Change of Engine Oil Filter\_001

1	Engine
2	Filter cartridge
3	Oil filler cap
4	Oil level gauge
5	Drain plug

- Lightly coat the packing of the new filter cartridge with engine oil.

- Hand-tighten the filter cartridge until the packing contacts the sealing surface, and then hand-tighten additional 1/2 to 3/4 turn from that point (without using a filter wrench).
- Supply engine oil until it reaches the specified level.  
"Supply of Engine Oil" (Page 4-9)
- Start the engine, and then stop it after 10 to 20 minutes.
- Make sure that there is no oil leakage at the sealing surface of the filter cartridge.
- Check the engine oil level.  
If it is low, supply engine oil until it reaches the specified level.

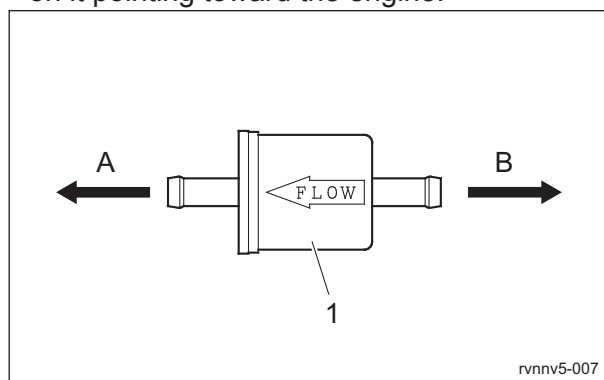
## Change of Fuel Filter

### Important

While installing the fuel filter, prevent contamination with dirt or dust. The fuel contaminated with dirt or dust will cause engine failure.

Since the fuel filter is a cartridge, it cannot be disassembled or cleaned. If dust or dirt accumulates in the fuel filter, the fuel flow will become insufficient. Replace the fuel filter at the appropriate times.

- Remove the old fuel filter.
- Install a new fuel filter with the arrow marked on it pointing toward the engine.



Change of Fuel Filter\_001

1	Fuel filter
A	Engine
B	Fuel cock

# Maintenance

## Change of Fuse

### Important

When performing maintenance on the electrical system, be sure to remove the negative battery wire.

### Important

If a fuse blows, a short may have occurred within the electrical circuit. Check for the cause, such as faulty terminal connections, damaged wiring or terminals, or incorrect wiring.

### Important

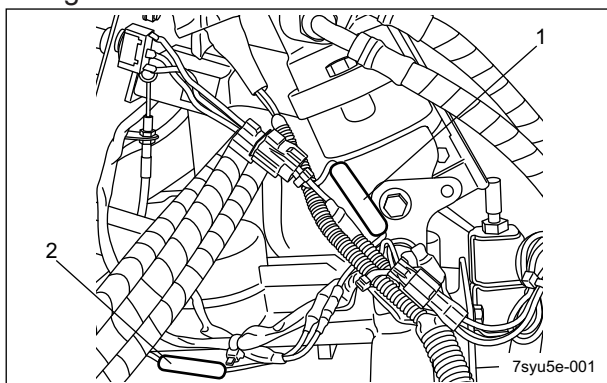
For fuse replacement, clean the fuse mounting area with use of compressed air before mounting the fuse.

## Fuses

The fuses are located at the lower right inside the front cover and consist of the light harness fuse and the main harness fuse for the entire circuit.

The fuse capacities are both 20 A.

- Main harness fuse : Glass fuse
- Light harness fuse : Mini blade fuse



Fuses\_001

1	Main harness fuse
2	Light harness fuse

## EU Declaration of Conformity

### Product Identification

Product : Bunker rake  
Brand-Name : BARONESS  
Type : SP05A  
Version(s) : Not Applicable  
Starting Serial No. : **20889**  
Measured Sound Power Level : LWA 95.00 dB  
Guaranteed Sound Power Level : LWA 98 dB  
Manufacturer Name : Kyoeshia Co., Ltd.  
Address : 1-26 Miyuki-cho, Toyokawa, Aichi-pref., Japan

### Conforms to the following Directives

2006/42/EC Machinery (MD)  
2014/30/EU Electromagnetic compatibility (EMC)  
2000/14/EC Noise emissions from outdoor equipment

### We have been designed and manufactured under the following specifications

ISO 12100 : 2010 (2006/42/EC)  
ISO 5395-1 : 2013 (2006/42/EC)  
ISO 5395-3 : 2013 (2006/42/EC)  
ISO 14982 : 1998 (2014/30/EU)

### Keeper of Technical Documentation

Name : Kyoeshia Co., Ltd.  
Address : 1-26 Miyuki-cho, Toyokawa, Aichi-pref., Japan


### Compiler of the technical file (2006/42/EC)

Name : Friedrich E. Barthels Nachf. Glockzin KG (GmbH & Co.)  
Address : Gerhard-Falk-Str. 1 21035 Hamburg Germany

### Conformity assessment procedures

Internal production control : Module A (2006/42/EC)  
EC-type examination : Module B (2014/30/EU)  
Internal control of production with assessment of technical documentation and periodical checking (2000/14/EC)

Place : Japan  
Date : 6 January 2021 (6 / 01 / 2021)

Signature :   
Name : Akio Hayashi  
Position : Quality Dept. Director

(fr)

## Déclaration de conformité UE

### Identification du produit

Produit : Râteau pour fosses  
Fabriquant : BARONESS  
Type : SP05A  
Version(s) : Non applicable  
Numéro de série de début : **20889**  
Niveau de puissance acoustique mesuré : LwA 95.00 dB  
Niveau de puissance acoustique garanti : LwA 98 dB  
Fabricant Nom : Kyoeshia Co., Ltd.  
Adresse : 1-26, Miyuki-cho, Toyokawa, préfecture d'Aichi, Japon

### Conforme aux directives suivantes :

2006/42/CE Machine (MD)  
2014/30/UE Compatibilité électromagnétique (CEM)  
2000/14/CE Émissions sonores de l'équipement de plein air

### Conception et fabrication en respect des spécifications suivantes :

ISO 12100 : 2010 (2006/42/CE)  
ISO 5395-1 : 2013 (2006/42/CE)  
ISO 5395-3 : 2013 (2006/42/CE)  
ISO 14982 : 1998 (2014/30/UE)

### Fiche technique

Marque : Kyoeshia Co., Ltd.  
Adresse de la marque : 1-26, Miyuki-cho, Toyokawa, préfecture d'Aichi, Japon

### Compilateur de la fiche technique (2006/42/CE)

Nom : Friedrich E. Barthels Nachf. Glockzin KG (GmbH & Co.)  
Adresse : Gerhard-Falk-Str. 1 21035 Hamburg Allemagne

### Procédures d'évaluation de la conformité

Contrôle de production interne : module A (2006/42/CE)  
Examen de type CE : module B (2014/30/UE)  
Contrôle interne de la production avec évaluation de la fiche technique et vérification périodique (2000/14/CE)

## Declaración de conformidad de la UE

### Identificación del producto

Producto: Rastrillo para búnker  
 Marca: BARONESS  
 Tipo: SP05A  
 Versión: No aplicable  
 N.º de serie inicial: **20889**  
 Nivel de potencia sonora medido: LWA 95.00 dB  
 Nivel de potencia sonora garantizado: LWA 98 dB  
 Fabricante Nombre: Kyoeshisa Co., Ltd.  
 Dirección: 1-26 Miyuki-cho, Toyokawa, Aichi-pref., Japón

### Cumple las siguientes Directivas

2006/42/CE Maquinaria (MD)  
 2014/30/UE Compatibilidad electromagnética (EMC)  
 2000/14/CE Emisiones sonoras de máquinas de uso al aire libre

### Se ha diseñado y fabricado utilizando las siguientes especificaciones

ISO 12100 : 2010 (2006/42/CE)  
 ISO 5395-1 : 2013 (2006/42/CE)  
 ISO 5395-3 : 2013 (2006/42/CE)  
 ISO 14982 : 1998 (2014/30/UE)

### Documentación técnica

Nombre del responsable: Kyoeshisa Co., Ltd.  
 Dirección del responsable: 1-26 Miyuki-cho, Toyokawa, Aichi-pref., Japón

### Compilador del archivo técnico (2006/42/CE)

Nombre: Friedrich E. Barthels Nachf. Glockzin KG (GmbH & Co.)  
 Dirección: Gerhard-Falk-Str. 1 21035 Hamburgo Alemania

### Procedimientos de evaluación de conformidad

Control de fabricación interno: Módulo A (2006/42/CE)  
 Examen de tipo CE: Módulo B (2014/30/UE)  
 Control interno de fabricación con evaluación de documentación técnica y comprobaciones periódicas (2000/14/CE)

## EU-Konformitätserklärung

### Produktbeschreibung

Produkt: Bunkerharke  
 Marke: BARONESS  
 Modell: SP05A  
 Version(en): Nicht zutreffend  
 Startseriennummer: **20889**  
 Gemessener Schalleistungspegel: LWA 95.00 dB  
 Garantierter Schalleistungspegel: LWA 98 dB  
 Hersteller Name: Kyoeshisa Co., Ltd.  
 Adresse: 1-26 Miyuki-cho, Toyokawa, Aichi-pref., Japan

### Entspricht den folgenden Richtlinien

2006/42/EG Maschinenrichtlinie  
 2014/30/EU Elektromagnetische Verträglichkeit (EMV)  
 2000/14/EG Geräuschemission von im Freien betriebenen Geräten

### Unter Anwendung der folgenden Bestimmungen entwickelt und hergestellt

ISO 12100 : 2010 (2006/42/EG)  
 ISO 5395-1 : 2013 (2006/42/EG)  
 ISO 5395-3 : 2013 (2006/42/EG)  
 ISO 14982 : 1998 (2014/30/EU)

### Technische Dokumentation

Name des Halters: Kyoeshisa Co., Ltd.  
 Adresse des Halters: 1-26 Miyuki-cho, Toyokawa, Aichi-pref., Japan

### Technische Unterlagen erstellt von (2006/42/EG)

Name: Friedrich E. Barthels Nachf. Glockzin KG (GmbH & Co.)  
 Adresse: Gerhard-Falk-Str. 1 21035 Hamburgo Deutschland

### Konformitätsbewertungsverfahren

Interne Produktionskontrolle : Modul A (2006/42/EG)  
 EG-Baumusterprüfung : Modul B (2014/30/EU)  
 Interne Produktionskontrolle mit Bewertung der technischen Unterlagen und regelmäßiger Überprüfung (2000/14/EG)



## EU-försäkran om överensstämmelse

### Produktidentifikation

Produkt : Akgräsklippare  
 Märke: BARONESS  
 Typ: SP05A  
 Version(er): Ej aktuellt  
 Serienummer startar på: **20889**  
 Uppmätt ljudeffektnivå: LwA 95.00 dB  
 Garanterad ljudeffektnivå: LwA 98 dB  
 Tillverkare Namn: Kyoisha Co., Ltd.  
 Adress: 1-26 Miyuki-cho, Toyokawa, Aichi-pref., Japan

### Uppfyller följande direktiv

2006/42/EG Maskindirektivet  
 2014/30/EU Elektromagnetisk kompatibilitet (EMC)  
 2000/14/EG Bulleremission från utomhusutrustning

### Följande kravspecifikationer har följts vid konstruktion och tillverkning

ISO 12100 : 2010 (2006/42/EG)  
 ISO 5395-1 : 2013 (2006/42/EG)  
 ISO 5395-3 : 2013 (2006/42/EG)  
 ISO 14982 : 1998 (2014/30/EU)

### Teknisk dokumentation

Innehavarens namn: Kyoisha Co., Ltd.  
 Innehavarens adress: 1-26 Miyuki-cho, Toyokawa, Aichi-pref., Japan

### Den tekniska filen(2006/42/EG) har tagits fram av

Namn: Friedrich E. Barthels Nachf. Glockzin KG (GmbH & Co.)  
 Adress: Gerhard-Falk-Str. 1 21035 Hamburg Tyskland

### Förfarande för bedömning av överensstämmelse

Intern produktionskontroll: Modul A (2006/42/EG)  
 EG-typprovning: Modul B (2014/30/EU)  
 Intern kontroll av produktion med fastställande av teknisk dokumentation och periodiska kontroller (2000/14/EG)

## EU-overensstemmelseserklæring

### Produktidentificering

Produkt : Bunkerrive  
 Mærkenavn: BARONESS  
 Type: SP05A  
 Version(er): Ikke anvendelig  
 Startende serienr.: **20889**  
 Målt lydeffektniveau: LWA 95.00 dB  
 Garanteret lydeffektniveau: LWA 98 dB  
 Producent Navn: Kyoisha Co., Ltd.  
 Adresse: 1-26 Miyuki-cho, Toyokawa, Aichi-præf., Japan

### Er i overensstemmelse med følgende direktiver

2006/42/EF Maskineri (MD)  
 2014/30/EU Elektromagnetisk kompatibilitet (EMC)  
 2000/14/EF Støjmissioner fra udendørs udstyr

### Vi har designet og produceret under følgende specifikationer

ISO 12100 : 2010 (2006/42/EF)  
 ISO 5395-1 : 2013 (2006/42/EF)  
 ISO 5395-3 : 2013 (2006/42/EF)  
 ISO 14982 : 1998 (2014/30/EU)

### Indehaver af teknisk dokumentation

Navn: Kyoisha Co., Ltd.  
 Adresse: 1-26 Miyuki-cho, Toyokawa, Aichi-præf., Japan

### Kompilator af den tekniske fil (2006/42/EF)

Navn: Friedrich E. Barthels Nachf. Glockzin KG (GmbH & Co.)  
 Adresse: Gerhard-Falk-Str. 1 21035 Hamborg Tyskland

### Procedurer for overensstemmelsesvurdering

Intern produktionskontrol : Modul A (2006/42/EF)  
 EF-typeafprøvning : Modul B (2014/30/EU)  
 Intern fabrikkationskontrol med vurdering af teknisk dokumentation og periodisk kontrol (2000/14/EF)

## UK Declaration of Conformity

### Product Identification

Product : Bunker rake  
Brand-Name : BARONESS  
Type : SP05A  
Starting Serial No. : 21011  
Measured Sound Power Level : LWA 95.00 dB  
Guaranteed Sound Power Level : LWA 98 dB  
Manufacturer Name : Kyoeshisa Co., Ltd.  
Address : 1-26 Miyuki-cho, Toyokawa, Aichi-pref.,Japan

### Conforms to the following Directives

Supply of Machinery (Safety) Regulations 2008 (SMD2008)  
Electromagnetic Compatibility Regulations 2016 (EMC2016)  
Noise Emission in the Environment by Equipment for use Outdoors Regulations 2001 (Noise2001)

### We have been designed and manufactured under the following specifications

ISO 12100 : 2010 (SMD2008)  
ISO 5395-1 : 2013 (SMD2008)  
ISO 5395-3 : 2013 (SMD2008)  
ISO 14982 : 1998 (EMC2016)

### Keeper of Technical Documentation

Name : Kyoeshisa Co., Ltd.  
Address : 1-26 Miyuki-cho, Toyokawa, Aichi-pref.,Japan

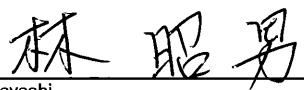
### Compiler of the technical file

Name : Kyoeshisa U.K.Ltd.  
Address: Unit 5 Hatch Industrial Park Grewell Road,Basingstke Hampshire  
RG24 7NG, the United Kingdom

### Conformity assessment procedures

Internal production control : Module A (SMD2008)  
EC-type examination : Module B (EMC2016)  
Internal control of production with assessment of technical documentation and periodical checking (Noise2001)

Place : Japan  
Date : 1 February | 2021 (1 / 2 / 2021)

Signature :   
Name : Akio Hayashi  
Position : Quality Dept. Director

**BARONESS**<sup>®</sup>  
Quality on Demand

 **KYOEISHA CO., LTD.**  
Head Office 1-26, Miyuki-cho, Toyokawa-city, Tel :+81-533-84-1390  
Aichi-pref, 442-8530 JAPAN Fax:+81-533-84-1220