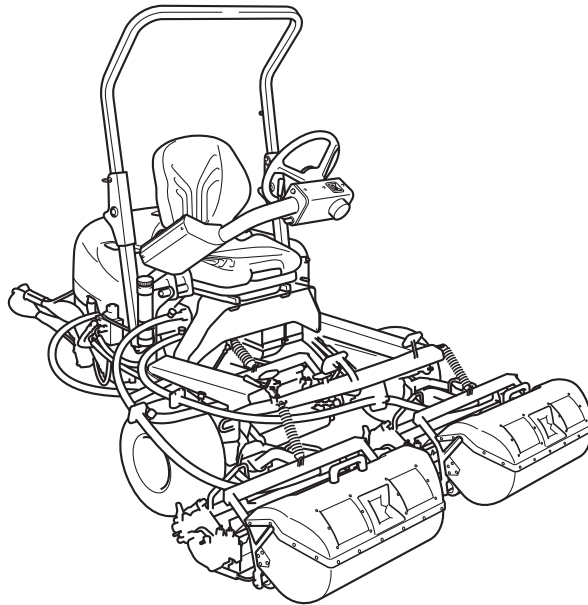


# ***LM315GC***

Riding Greens Mower (Diesel Model)

## Owner's Operating Manual



Serial No. LM315GC : 31557-

"Required reading"  
Read this manual before using the machine.

---

**BARONESS**<sup>®</sup>  
Quality on Demand

Original Instructions Ver.3.8

# Regulations

---

## California Proposition 65

(For California, USA)

### **WARNING:**

Operating, servicing and maintaining a passenger vehicle or off-road vehicle can expose you to chemicals including engine exhaust, carbon monoxide, phthalates, and lead, which are known to the State of California to cause cancer and birth defects or other reproductive harm. To minimize exposure, avoid breathing exhaust, do not idle the engine except as necessary, service your vehicle in a well-ventilated area and wear gloves or wash your hands frequently when servicing your vehicle. For more information go to [www.P65Warnings.ca.gov/passenger-vehicle](http://www.P65Warnings.ca.gov/passenger-vehicle).

318yi8-005

California Proposition 65\_001

## California Spark Arrester

(For California, USA)

### **Warning**

Operation of this equipment may create sparks that can start fires around dry vegetation.

A spark arrester may be required.

The operator should contact local fire agencies for laws or regulations relating to fire prevention requirements.

The engine of this machine is not equipped with a spark arrester.

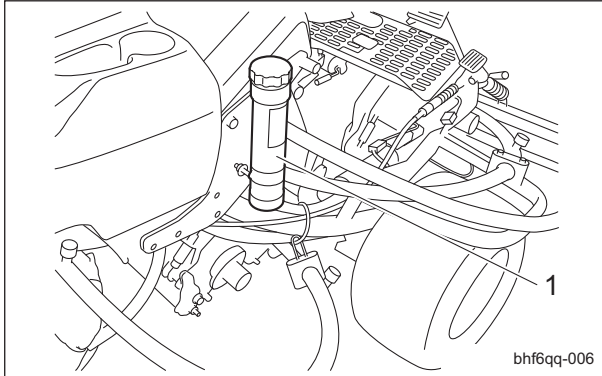
In some areas there are local, state, or federal regulations requiring that a spark arrester be used on the engine of this machine.

The recommended spark arrester for this machine is Part No.49025N Spark Arrester made by Nelson Global Products.

Thank you for purchasing the Baroness product.  
This manual describes the proper handling,  
adjustment, and inspection of your product.  
We hope you will use the product safely, and take  
advantage of its best performance.

## Keeping The Owner's Operating Manual

Keep this manual in the box on the right side of  
the seat.



Keeping The Owner's Operating Manual\_001

1	Box
---	-----

# Introduction

---

Read this manual carefully to ensure that you thoroughly understand how to properly operate and maintain the product, and to avoid causing injury to yourself or others.

The operator is responsible for operating the product properly and safely.

Maintenance service for this machine should be performed by a mechanic with expertise.

If you have any questions concerning maintenance or genuine parts, please contact a Baroness dealer or Kyoisha.

When making inquiries about the product, please specify the product's model designation and serial number.

When loaning or transferring the product, please also provide this manual together with the product.

Kyoisha Co., Ltd.

## Warning Symbols

This manual uses the following warning symbols for handling precautions that are important for your safety.



696cq5-001

Warning symbol

This symbol indicates the articles regarding “Danger,” “Warning,” or “Caution.”

Those articles describe important safety precautions and so read them carefully to understand completely before operating the machine.

Failure to adequately follow these safety precautions may cause an accident.

### **Danger**

This symbol indicates that serious injury or death will occur if the warning is ignored.

### **Warning**

This symbol indicates that serious injury or death may occur if the warning is ignored.

### **Caution**

This symbol indicates that injury or damage to property may occur if the warning is ignored.

### **Important**

This symbol indicates precautions on the mechanism of the machine.

## Precautionary Statement

### Caution

The information described in this manual is subject to change for improvement without prior notice.

When replacing parts, be sure to use genuine Baroness parts or parts designated by Kyo-eisha.

Note that the Baroness product warranty may not apply to defects caused by the use of parts from other companies.

Prior to use, carefully read the following manuals to thoroughly understand the contents for safe and correct operation.

- Baroness Owner's Operating Manual
- The Engine's Owner's Manual
- The Battery's Owner's Manual

## Purpose

For greens/for tees: This product is intended for cutting turf grass at golf courses.

For fields: This product is intended for cutting turf grass on soccer and baseball fields.

Do not use this product in any other way than its intended purpose, and do not modify this product.

Operating this product for other purposes and modifying it may be very dangerous and may cause damage to the product.

In addition, this product is not authorized for operation as a special motor vehicle. Do not operate it on public roads.

LM315GC

# Introduction

---

**Safety ..... Page 1-1**

Safe Operating Practices ..... Page 1-2

**Disposal ..... Page 2-1**

Recycle and Waste Disposal ..... Page 2-2

**Product Overview ..... Page 3-1**

Specifications ..... Page 3-2

Names of Each Section ..... Page 3-4

Regulation Decals ..... Page 3-4

Safety Signs and Instruction Signs ..... Page 3-7

**Handling Instructions ..... Page 4-1**

Inspections ..... Page 4-3

Tightening Torques ..... Page 4-14

Adjustment before Work ..... Page 4-19

Procedure to Start/Stop Engine ..... Page 4-26

Operation Method ..... Page 4-28

Instruments ..... Page 4-39

Move ..... Page 4-41

Cutting Work ..... Page 4-42

Transporting ..... Page 4-44

Storage ..... Page 4-44

**Maintenance ..... Page 5-1**

Maintenance Precautions ..... Page 5-2

Maintenance Schedule ..... Page 5-2

Jacking Up The Machine ..... Page 5-9

Greasing ..... Page 5-10

Lubrication ..... Page 5-14

Maintenance Work ..... Page 5-16

LM315GC

# Contents

---



**Safe Operating Practices ..... Page 1-2**

Training ..... Page 1-2

Preparation ..... Page 1-2

Operation ..... Page 1-3

Maintenance ..... Page 1-4

Storage ..... Page 1-5



Safety

# Safety

Failure to adequately follow these safety precautions may cause an accident resulting in injury or death.

## Danger

This product is designed to ensure safe operation and has been tested and inspected thoroughly before shipment from the factory. The product is equipped with safety devices to prevent accidents.

However, whether the product demonstrates its original performance level depends on the manner in which it is operated and handled, as well as the manner in which it is managed on a daily basis.

Inappropriate use or management of the product may result in injury or death.

Observe the following safety instructions to ensure safe operation.

## Safe Operating Practices

### Training

1. Read this manual and other training material carefully.

Be familiar with the controls, safety signs, and the proper use of the equipment.

2. If the operator or mechanic can not read the language used in this manual, it is the owner's responsibility to explain this material to them.

3. All operators and mechanics should seek and obtain professional and practical instruction.

The owner is responsible for training the users.

Such instruction should emphasize:

- [1] The need for care and concentration when working with ride-on machines.

- [2] Control of a ride-on machine sliding on a slope will not be regained by the application of the brake.

The main reasons for loss of control are

- Insufficient wheel grip
- Being driven too fast
- Inadequate braking
- The type of machine is unsuitable for its task
- Lack of awareness of the effect of ground conditions, especially slopes
- Incorrect hitching and load distribution

4. Never allow children or people unfamiliar with these instructions to use or service the machine.

Local regulations may restrict the age of the operator.

5. The owner/user can prevent and is responsible for accidents or injuries occurring to themselves, other people, or property.
6. Keep in mind that the owner, operator, and mechanic are responsible for accidents or hazards occurring to other people or their property.
7. The ROPS is an integral and effective safety device.  
Do not remove or alter the ROPS.
8. Replace a damaged ROPS.  
Do not repair or alter.
9. You can find additional safety information where needed throughout this manual.
10. Determine the left and right sides of the machine from the normal operating position.

### Preparation

1. Evaluate the terrain to determine what accessories and attachments are needed to properly and safely perform the job.  
Only use accessories and attachments approved by the manufacturer.
2. While operating, always wear substantial footwear, long trousers, hard hat, safety glasses, mask, and ear protection.  
Long hair, loose clothing, or jewelry may get tangled in moving parts.  
Do not operate the equipment when barefoot or wearing open sandals.
3. Inspect the area where the equipment is to be used and remove all objects such as rocks, toys and wire which can be thrown by the machine.
4. Keep children out of the operating area and under the watchful care of a responsible adult other than the operator.
5. Exercise care in the handling of fuel.

## Warning

Fuel is highly flammable.

Take the following precautions:

- [1] Store fuel in containers specifically designed for this purpose.

- [2] Add fuel before starting the engine.  
Never remove the cap of the fuel tank or add fuel while the engine is running or when the engine is hot.
- [3] Refuel outdoors only and do not smoke while refueling.
- [4] If fuel is spilled, do not attempt to start the engine but move the machine away from the area of spillage and avoid creating any source of ignition until petrol vapours have dissipated;
- [5] Replace all fuel tanks and container caps securely.
6. Check that operator's presence controls, safety switches and shields are attached and functioning properly.  
Do not operate unless they are functioning properly.
7. If the brake operation is faulty, be sure to adjust or repair them before operating the machine.
8. Replace faulty mufflers.
9. On multi-cylinder/multi-reel machines, take care as rotating one cylinder/reel can cause other cylinders/reels to rotate.
8. Never operate while people, especially children, or pets are nearby.
9. Only operate in good light, keeping away from holes and hidden hazards.
10. Do not operate the machine when there is the risk of lightning.
11. Do not stop or start suddenly.
12. Look behind and down before backing up to be sure of a clear path.
13. Slow down and use caution when making turns and crossing roads and sidewalks.
14. Use care when approaching blind corners, shrubs, trees, or other objects that may obscure vision.
15. Do not take your eyes off the road ahead.  
Do not operate the machine with no hands.
16. Keep a folding ROPS in the raised and locked position and use the seat belt when operating the machine.
17. Lower a folding ROPS temporarily only when absolutely necessary.  
Do not wear the seat belt when folded down.  
There is no rollover protection when a folding ROPS is in the down position.

## Operation

1. Do not operate the machine under the influence of alcohol or drugs.
2. Do not operate the engine in a confined space where dangerous carbon monoxide fumes can collect.
3. Be sure all drives and shift are in neutral and parking brake is engaged before starting engine.  
Only start engine from the operator's position.  
Use seat belts if provided.
4. Do not change the engine governor settings or overspeed the engine.  
Operating the engine at excessive speed may increase the hazard of personal injury.
5. Never operate the machine with damaged guards, shields, or without safety protective devices in place.  
Be sure all interlocks are attached, adjusted properly, and functioning properly.
6. Keep hands and feet away from the rotating parts.
7. Do not carry passengers.
18. Remember there is no such thing as a safe slope.  
Travel on grass slopes requires particular care.  
To guard against overturning, follow these instructions.
  - [1] Do not stop or start suddenly when going up or downhill.
  - [2] Engage clutch slowly, always keep machine in gear, especially when traveling downhill.
  - [3] Machine speeds should be kept low on slopes and during turns.
  - [4] Stay alert for humps and hollows and other hidden hazards.
19. Never use the machine on a slope with an angle of gradient that is greater than that specified or in a place where there is a danger of the machine slipping.
20. Use extra care while operating machine with a grass catcher or other attachments.  
They can affect the stability of the machine.
21. Disengage drive to the cutting unit(s), when other than operating.

# Safety

---

22. Do the following before leaving the operator's position.
  - [1] Stop on level ground.
  - [2] Disengage the all drives.
  - [3] Set the parking brake.
  - [4] Stop the engine.
  - [5] Remove the ignition key.
23. Stop the engine in the following conditions.
  - [1] Before refuelling.
  - [2] Before removing the grass catcher.
  - [3] Before making height or depth adjustment unless adjustment can be made from the operator's position.
  - [4] Before clearing blockages.
  - [5] Before checking, cleaning or working on the machine.
  - [6] After striking a foreign object or if an abnormal vibration occurs.  
Inspect the machine for damage and make repairs before restarting and operating the equipment.
24. Reduce the throttle setting during engine run-out.
25. Do not direct discharge material toward anyone.  
Avoid discharging material against a wall or obstruction.  
Material may ricochet back toward the operator.
26. Take care when loading or unloading the machine into a trailer or a truck.  
Load or unload the machine in a flat and safe place.  
Before loading or unloading, set the parking brake on the truck or trailer, stop the engine, and chock the wheels.  
When transporting the machine on a truck or a trailer, set the parking brake, stop the engine, and fasten the machine to the truck with a rope or other suitable restraining device that has sufficient strength.  
When using a running board, select one with sufficient strength, length, and width and that will not cause the machine to slip.
27. Close the fuel valve before transporting the machine.
2. Implement the following work before adjusting, cleaning or repairing.
  - [1] Stop the machine on level ground.
  - [2] Disengage drive to the cutting unit(s).
  - [3] Lower the cutting unit(s) and attachment(s) if installed.
  - [4] Set the parking brake.
  - [5] Stop the engine.
  - [6] Remove the ignition key.
  - [7] Wait for all movement to stop.
3. Allow the engine/muffler to cool before checking/maintenance.
4. To reduce the fire hazard, keep hot parts such as the engine and silencer/muffler, battery compartment and fuel storage area free of grass, leaves, or excessive grease. Clean up oil or fuel spillage.
5. Appropriately manage and correctly use the tools necessary for servicing or adjusting the machine.
6. Disconnect battery before making any repairs.  
Disconnect the negative terminal first and the positive last.  
Reconnect positive first and negative last.
7. Use jack stands to support components when required.
8. Keep hands and feet away from moving parts.  
If possible, do not make adjustments with the engine running.
9. Make sure that parts such as wires are not touching each other and that their covers have not come off.
10. Keep all parts in good working condition and all hardware tightened.  
Replace all worn or damaged decals.
11. Keep all nuts, bolts and screws tight to be sure the equipment is in safe working condition.
12. Carefully release pressure from components with stored energy.
13. Be sure to depressurize the hydraulic system before performing maintenance operations on it such as removing hydraulic equipment.
14. Check whether line connectors in the hydraulic system are properly tightened.  
Before applying hydraulic pressure, check the connections of the hydraulic pressure lines and the condition of the hoses.

## Maintenance

1. Never allow untrained personnel to service machine.

15. When checking the hydraulic circuit for pinhole leaks or oil leakage from nozzles, do not use your hands.  
Use items such as paper or corrugated cardboard to find leakage points.  
Be extremely careful with high-pressure oil as it may pierce your skin, resulting in an injury.  
If fluid is injected into the skin it must be surgically removed within a few hours by a doctor familiar with this form of injury or gangrene may result.
  16. Use care when checking the cylinders/reels and bed knives.  
Wear gloves and use caution when servicing them.
  17. Be careful during adjustment of the machine to prevent entrapment of the fingers between moving blades and fixed parts of the machine.
  18. On multi-cylinder/multi-reel machines, take care as rotating one cylinder/reel can cause other cylinders/reels to rotate.
  19. Check the grass catcher frequently for wear or deterioration.
  20. Charge batteries in an open well ventilated area, away from spark and flames.  
Unplug charger before connecting or disconnecting from battery.  
Wear protective clothing and use insulated tools.
  21. If the fuel tank has to be drained, do this outdoors.
7. Swallowing engine coolant can cause injury or death; keep out of reach from children and pets.

## Storage

1. When machine is to be parked, stored, or left unattended, lower the cutting unit(s) and attachment(s) if installed unless a positive mechanical lock is provided.
2. Allow the engine to cool before storing in any enclosure.
3. Only cover the machine with a sheet after hot parts have sufficiently cooled down.
4. Never store the equipment with fuel in the tank inside a building where fumes may reach an open flame or spark.
5. If the engine is provided with a shut-off valve, shut off valve while storing or transporting.
6. Do not store fuel near flames.



**Recycle and Waste Disposal ..... Page 2-2**

About Recycle .....Page 2-2

About Waste Disposal ..... Page 2-2

# Disposal

---

## Recycle and Waste Disposal

### About Recycle

Recycling battery etc. is recommended for environmental conservation and economical use of resources.

It may be required by local laws.

### About Waste Disposal

Make sure that waste generated when servicing or repairing the machine is disposed of in accordance with local regulations. (e.g. waste oil, antifreeze, rubber products, and wires etc.)



**Specifications ..... Page 3-2**

Specifications .....Page 3-2

Sound Pressure Level ..... Page 3-3

Sound Power Level ..... Page 3-3

Vibration Level .....Page 3-3

Carbon Dioxide (CO<sub>2</sub>) Emissions

Measurement .....Page 3-4

**Names of Each Section ..... Page 3-4****Regulation Decals .....Page 3-4**

Positions of Regulation Decals ..... Page 3-4

Description of Regulation Decals ..... Page 3-5

**Safety Signs and Instruction Signs ..... Page 3-7**About Safety Signs and Instruction  
Signs .....Page 3-7Positions of Safety Decals and  
Instruction Decals ..... Page 3-7Description of Safety Decals and  
Instruction Decals ..... Page 3-8

# Product Overview

## Specifications

### Specifications

Model		LM315GC (for greens)		LM315GC (for tees)		LM315GC (for fields)	
Dimensions	Total length		84.65 in	215 cm	←		←
	Total width		79.92 in	203 cm	←		←
	Total height	Steering wheel	51.97 - 55.51 in	132 - 141 cm	←		←
Weight	Machine: 2WD (empty fuel tank)	with ROPS and without Grass catcher, Groomer	1452.82 lb	659 kg	←		←
	Machine: 3WD (empty fuel tank)	with ROPS and without Grass catcher, Groomer	1507.94 lb	684 kg	←		←
	Grass catcher (for one machine)		26.46 lb	12 kg	←		←
	Groomer (for one machine)		22.05 lb	10 kg	←		←
Minimum turning radius			354.94 in	161 cm	←		←
Engine	Model		Kubota D722-E4B		←		←
	Type		Vertical water-cooled 4- cycle diesel engine		←		←
	Total displacement		43.87 cu.in.	719 cm <sup>3</sup> (0.719 L)	←		←
	Maximum output		12.4 kW (16.9 PS)/ 3,000 rpm		←		←
Fuel tank capacity			Diesel 5.28 U.S.gals	Diesel 20.0 dm <sup>3</sup> (20.0 L)	←		←
Fuel consumption			210 g/PS · h (rated output)	286 g/kW · h (rated output)	←		←
Engine oil capacity			0.74 U.S.gals	2.8 dm <sup>3</sup> (2.8 L)	←		←
Coolant volume			0.79 U.S.gals	3.0 dm <sup>3</sup> (3.0 L)	←		←
Hydraulic tank capacity			4.23 U.S.gals	16.0 dm <sup>3</sup> (16.0 L)	←		←
Operating width (Mowing width)			59.84 in	152 cm	←		←
Operating height (Mowing height)			0.059 - 0.709 in	1.5 - 18.0 mm	0.236 - 0.787 in	6.0 - 20.0 mm	0.394 - 1.575 in 10.0 - 40.0 mm
Blades			9 or 11		7		7
Drive	Traveling		HST 2WD [3WD (2WD/3WD selectable)]		←		←
	Mowing		Mechanical		←		←
Speed (HST)	Forward		0 - 9.32 mph	0 - 15.0 km/h	←		←

# Product Overview

Speed (HST)	Reverse	0 - 3.73 mph [2WD selection of 3WD model: 0 - 5.59 mph]	0 - 6.0 km/h [2WD selection of 3WD model : 0 - 9.0 km/h]	←	←
Speed (Mechanical)		-		←	←
Efficiency		1.8 acres/hour (3.73 mph x mowing width x 0.8)	7,296 m <sup>2</sup> /h (6.0 km/h x mowing width x 0.8)	←	←
Maximum inclination for operation		15 degrees		←	←
Tire size	Front wheel	Smooth 18 x 9.50-8 2P		Pillow Dia 18 x 8.50-8 4P	
	Rear wheel	Smooth 18 x 9.50-8 2P		Pillow Dia 18 x 8.50-8 4P	
Tire pneumatic pressure	Front wheel	11.60 psi	80 kPa (0.8 kgf/cm <sup>2</sup> )	14.50 psi	100 kPa (1.0 kgf/cm <sup>2</sup> )
	Rear wheel	11.60 psi	80 kPa (0.8 kgf/cm <sup>2</sup> )	14.50 psi	100 kPa (1.0 kgf/cm <sup>2</sup> )
Battery		55B24L (BCI GROUP SIZE 51R: Recommended equivalent product EXIDE 51R-60)		←	←
Engine plug		-		←	←

The factory default maximum engine rpm is 3,000 rpm.

## Sound Pressure Level

### Sound Pressure Level

This machine was confirmed to have a continuous A-weighted sound pressure level of 87 dB by measuring identical machines in accordance with the procedure specified in ISO 5395-1:2013.

## Sound Power Level

### Sound Power Level

This machine was confirmed to have a sound power level of 103 dB by measuring identical machines in accordance with the procedure specified in ISO 5395-1:2013.

## Vibration Level

### Hand-Arm Vibration

This machine was confirmed not to exceed a vibration level of 2.5 m/s<sup>2</sup> to hands and arms by measuring identical machines in accordance with the procedure specified in ISO 5395-1:2013.

### Whole Body Vibration

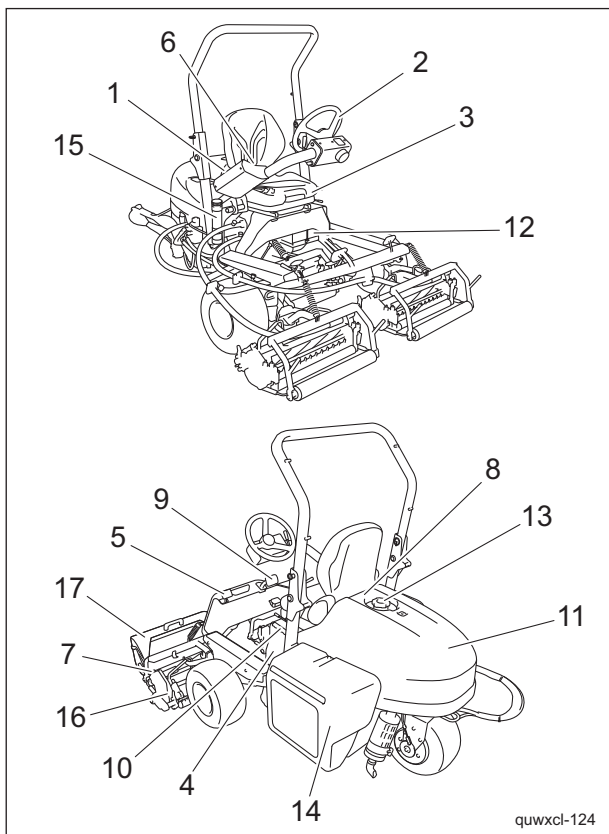
This machine was confirmed to transmit a vibration level of 0.61 m/s<sup>2</sup> to the whole body by measuring identical machines in accordance with the procedure specified in ISO 2631-1:1997, ISO 2631-2:2003.

# Product Overview

## Carbon Dioxide (CO<sub>2</sub>) Emissions Measurement

For CO<sub>2</sub> emissions measurement on the engine of this machine, refer to the engine's owner's manual.

## Names of Each Section

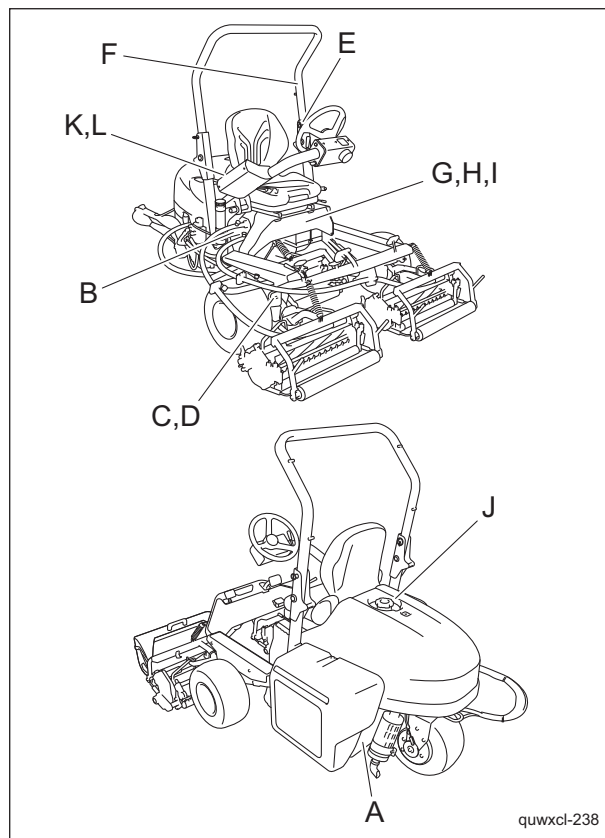


Names of Each Section\_001

1	Operation panel
2	Steering wheel
3	Seat
4	Underseat cover
5	Mower pedal
6	Reel rotation switch
7	Reel reverse lever
8	Transmission selector lever
9	Traveling pedal
10	Parking brake lever
11	Hood
12	Battery
13	Fuel tank
14	Radiator cover
15	Box
16	Mower unit
17	Grass catcher

## Regulation Decals

### Positions of Regulation Decals



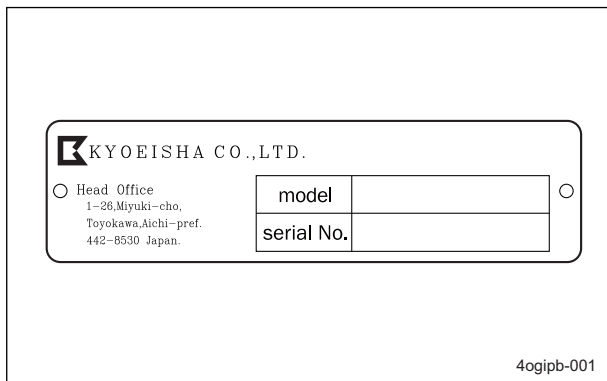
Positions of Regulation Decals\_001

A	Serial number plate
B	Specification decal
C	Noise emission decal
D	Year of manufacture decal
E	ROPS compliance decal
F	ROPS caution decal
G	Battery capacity decal
H	Recycle decal
I	Battery danger decal
J	Indicating diesel fuel decal
K	California proposition 65 decal (riding type)
L	Spark arrester warning decal

## Description of Regulation Decals

### Serial Number Plate

The serial number plate indicates the model and serial number of the machine.



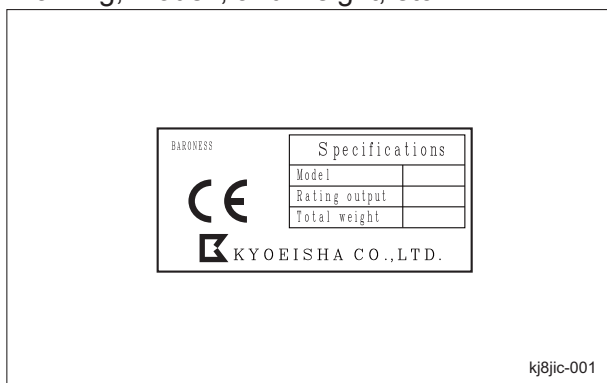
Serial Number Plate\_001

### Specification Decal

(For Europe)

CE mark indicates that the machine sold in the EU nations complies with the EU requirements.

The Specification decal indicates the CE marking, model, and weight, etc.

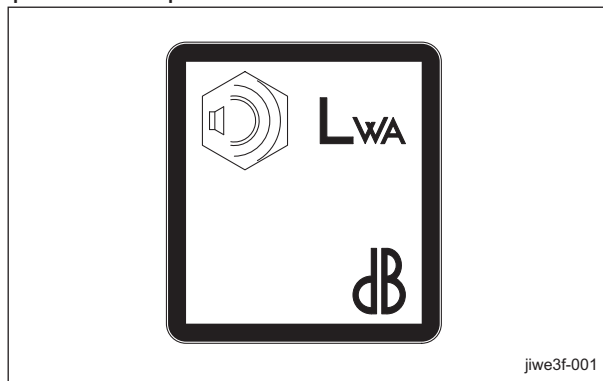


Specification Decal\_001

### Noise Emission Decal

(For Europe)

The noise emission decal indicates the sound power level determined by measuring identical machines in accordance with the procedure specified in the EC directives.

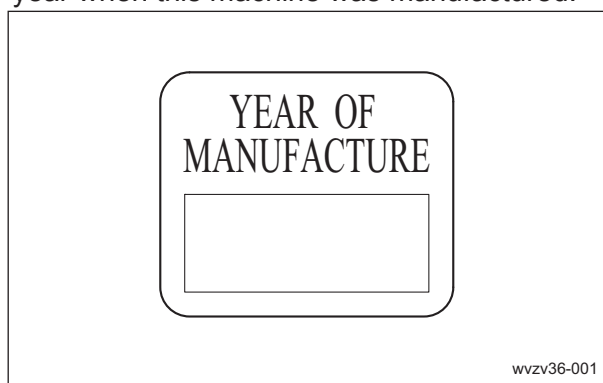


Noise Emission Decal\_001

### Year of Manufacture Decal

(For Europe)

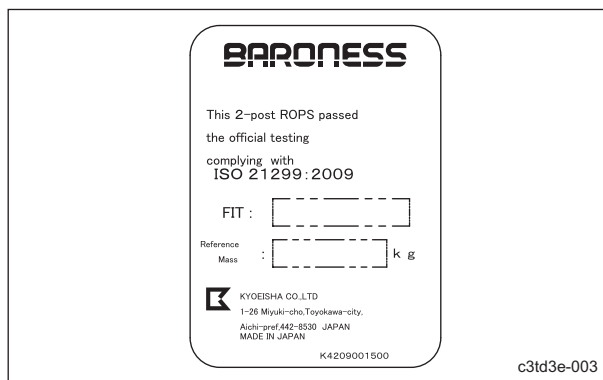
The year of manufacture decal indicates the year when this machine was manufactured.



Year of Manufacture Decal\_001

### ROPS Compliance Decal

The ROPS compliance decal indicates the manufacturer, model, etc., in accordance with International Standard ISO 21299:2009.



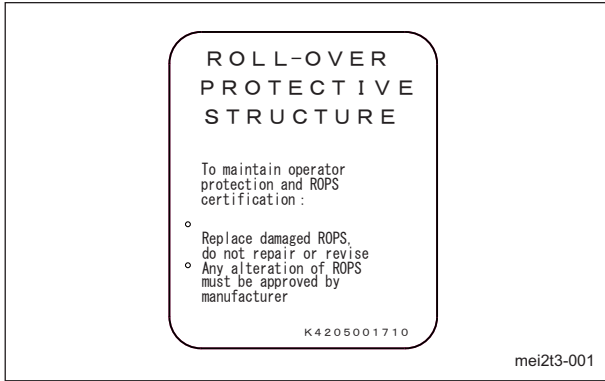
ROPS Compliance Decal\_001

# Product Overview

## ROPS Caution Decal

ROPS caution decal describes the following caution messages.

- Replace damaged ROPS.
- Do not repair or revise.

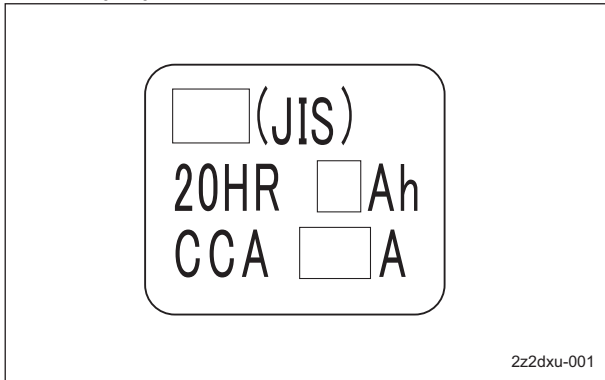


ROPS Caution Decal\_001

## Battery Capacity Decal

(For Europe)

The battery capacity decal indicates the capacity by 20HR and CCA.

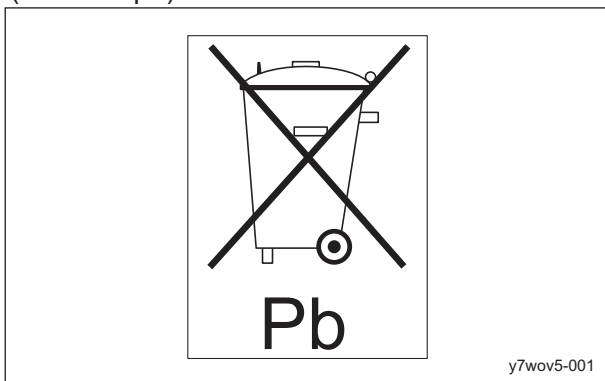


Battery Capacity Decal\_001

## Recycle Decal

Recycle Decal illustrates Recycle Mark in accordance with local regulation.

(For Europe)



Recycle Decal\_001

(For USA)

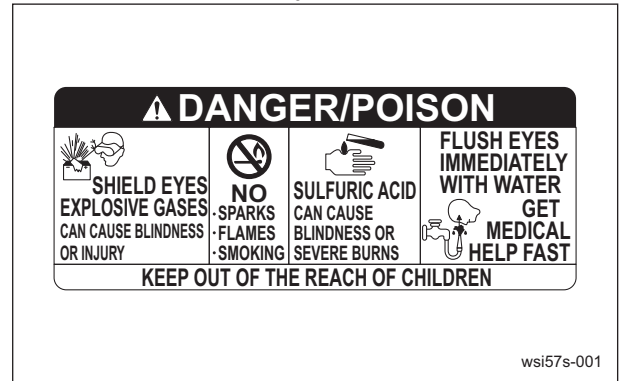


Recycle Decal\_002

## Battery Danger Decal

(For USA)

Battery Danger Decal describes handling precautions for battery.



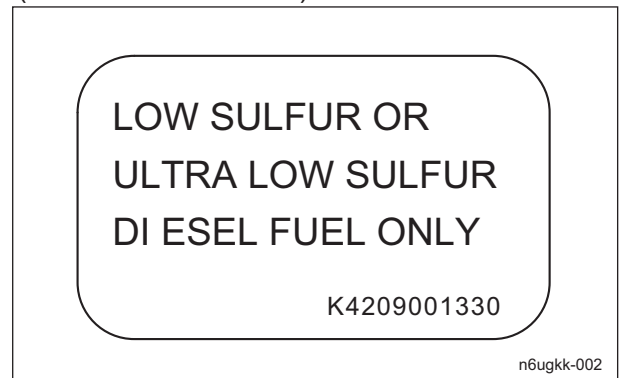
Battery Danger Decal\_001

## Indicating Diesel Fuel Decal

(for USA)

It indicates the fuel to be used.

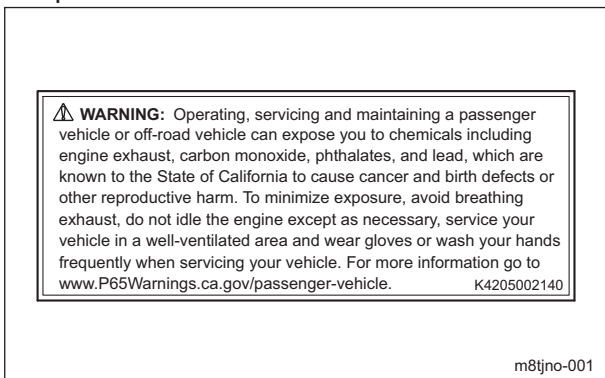
Use low sulfur or ultra-low sulfur diesel fuel (sulfur-free diesel fuel).



Indicating Diesel Fuel Decal\_001

## California Proposition 65 Decal (Riding Type)

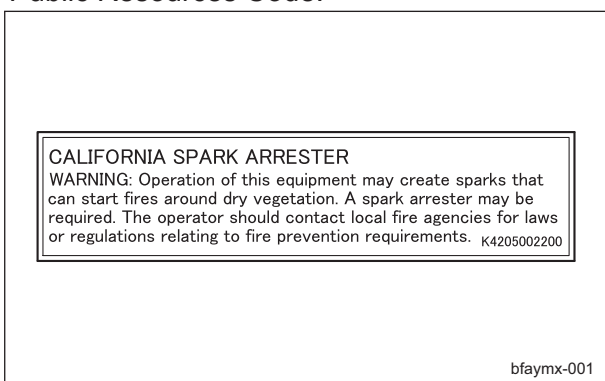
(For the State of California, USA)  
California Proposition 65 decal describes the warning messages as required by California Proposition 65.



California Proposition 65 Decal (Riding Type)\_001

## Spark Arrester Warning Decal

(For the State of California, USA)  
Spark arrester warning decal describes the warning messages as required by California Public Resources Code.



Spark Arrester Warning Decal\_001

## Safety Signs and Instruction Signs

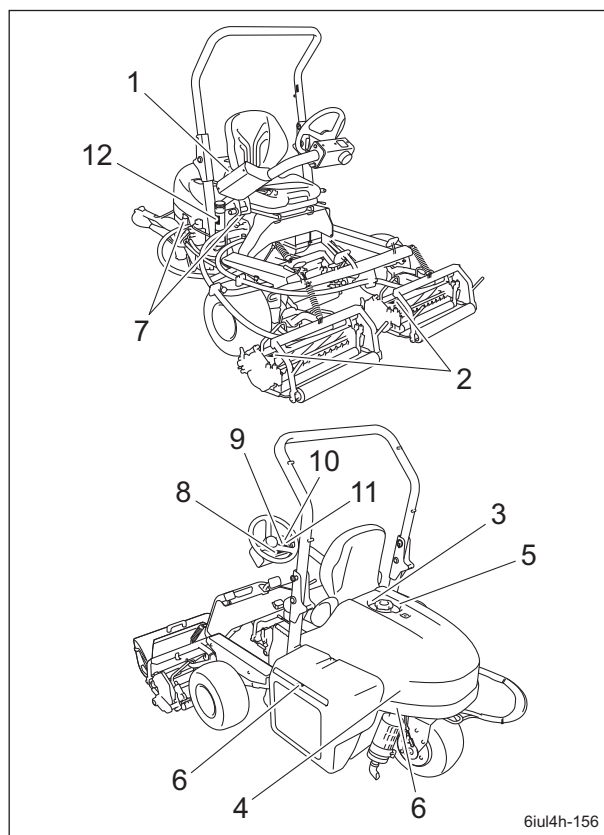
### About Safety Signs and Instruction Signs

#### Important

Safety decals and instruction decals are attached to this product. Make sure that they are preserved in their entirety. If they are damaged, become dirty, or peel off, replace them with new ones.

Part numbers for decals that need to be replaced are listed in the parts catalog. Order them from a Baroness dealer or Kyoisha.

## Positions of Safety Decals and Instruction Decals



Positions of Safety Decals and Instruction Decals\_001

1	D operation decal
2	Caution to mutilation decal
3	Fire prohibited decal
4	Hydraulic oil icon
5	Diesel fuel decal
6	Caution for high temperatures decal
7	Caution to getting entangled decal
8	Caution slope decal
9	Caution exhaust gas and flying object decal
10	Caution for slopes (3WD) decal
11	Caution to noise decal
12	Decal on reading owner's operating manual

# Product Overview

## Description of Safety Decals and Instruction Decals

### D Operation Decal

LM315GC0504B0  
Decal D, operation

1.

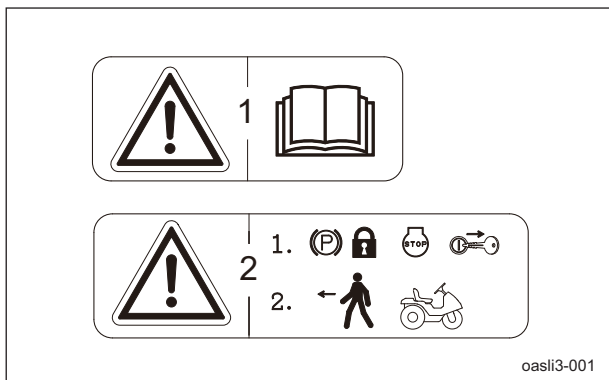


Read the Owner's Operating Manual.

2.



Apply the parking brake, stop the engine, and then remove the ignition key before leaving the machine.



D Operation Decal\_001

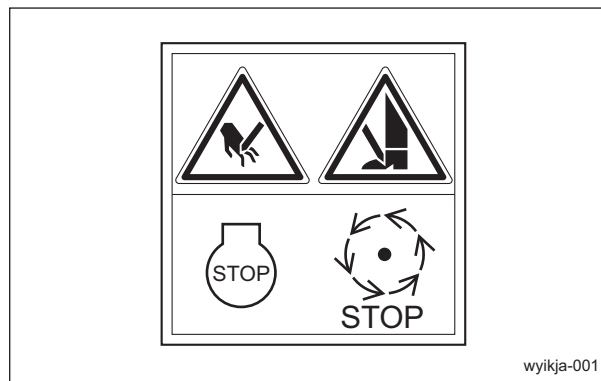
### Caution to Mutilation Decal

K4205001600

DECAL, CAUTION TO MUTILATION



May cut your hand or leg - Stop the cutter rotation and engine. Otherwise you may get injured.



Caution to Mutilation Decal\_001

### Fire Prohibited Decal

K4205001940

Decal, fire prohibited



Keep away from fire.

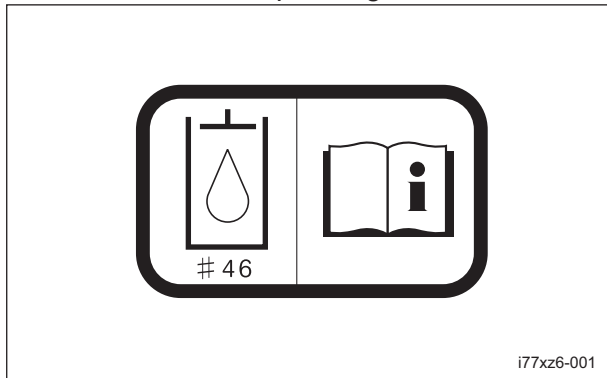


Fire Prohibited Decal\_001



## Hydraulic Oil Icon

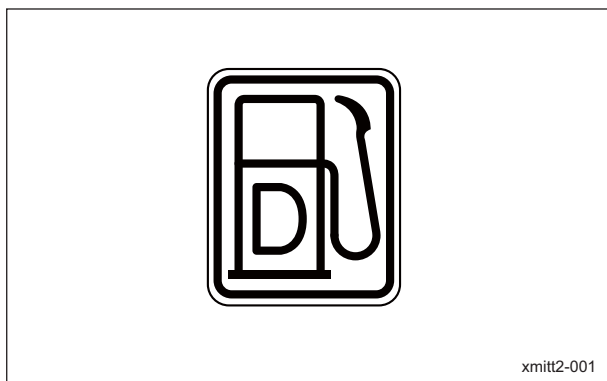
K4209000980  
 Hydraulic oil icon  
 Read the Owner's Operating Manual.



Hydraulic Oil Icon\_001

## Diesel Fuel Decal

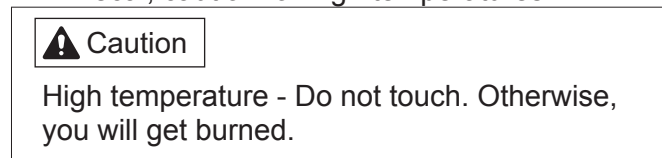
K4209001460  
 Decal, diesel fuel  
 Use diesel fuel.



Diesel Fuel Decal\_001

## Caution for High Temperatures Decal

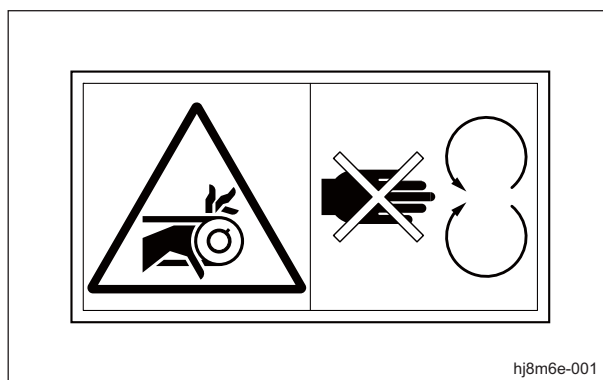
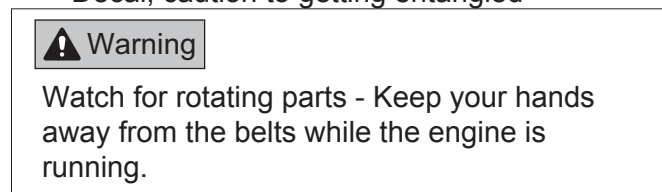
K4205001920  
 Decal, caution for high temperatures



Caution for High Temperatures Decal\_001

## Caution to Getting Entangled Decal

K4205001910  
 Decal, caution to getting entangled



Caution to Getting Entangled Decal\_001

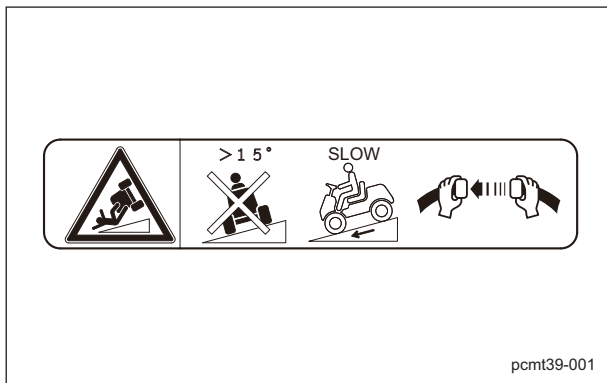
# Product Overview

## Caution Slope Decal

K4205002040  
Decal, caution slope

**Caution**

Rollover - Do not work on slopes of 15 degrees or more.  
When you descend a slope, drive at low speed with the mower units lowered.  
Fasten your seatbelt when the machine is equipped with ROPS.



pcmt39-001

Caution Slope Decal\_001

## Caution Exhaust Gas and Flying Object Decal

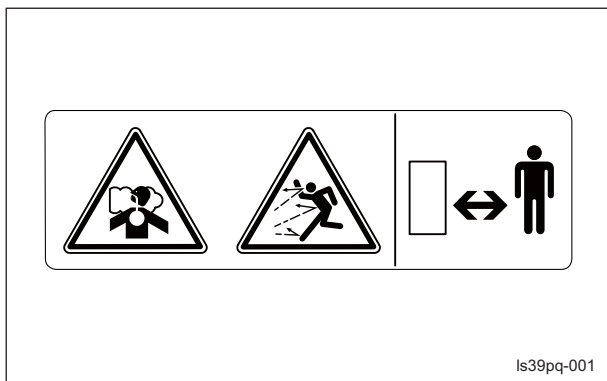
K4205002050  
Decal, caution flying object

**Warning**

Caution to exhaust gas diffusion - All persons other than the operator must keep a safe distance from the machine.

**Caution**

Flying objects - Be sure that people around the machine keep a safe distance away.



ls39pq-001

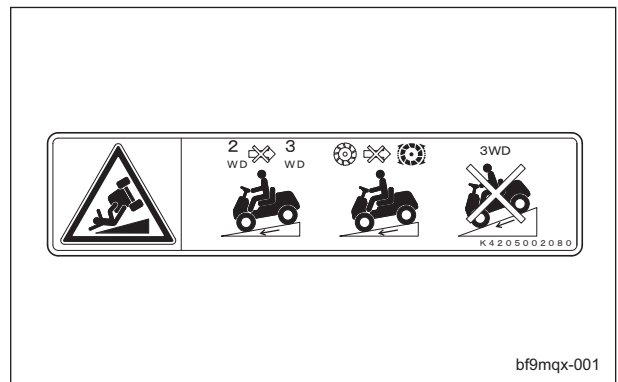
Caution Exhaust Gas and Flying Object Decal\_001

## Caution for Slopes (3WD) Decal

K4205002080  
Decal, caution for slopes (3WD)  
(3WD spec model only)

**Warning**

Rollover - Do not switch between 2WD and 3WD while traveling on downward slopes.  
Do not set the reel rotation switch to the "Rotation" position while traveling on downward slopes.  
Do not travel in three-wheel drive on downward slopes.



bf9mqx-001

Caution for Slopes (3WD) Decal\_001

## Caution to Noise Decal

K4205002090  
Decal, caution to noise



bwu9po-001

Caution to Noise Decal\_001

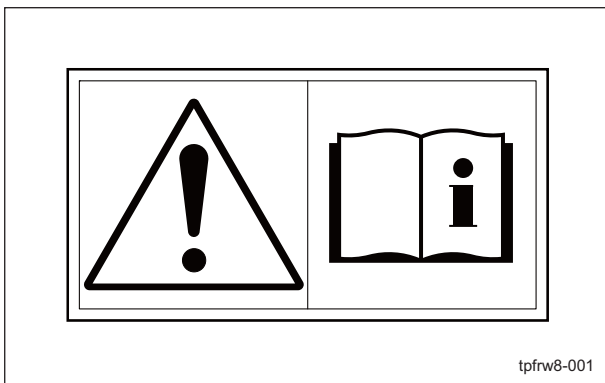
## Decal on Reading Owner's Operating Manual

K4205001560

Decal, read Owner's Operating Manual

 Warning

Read the Owner's Operating Manual.



Decal on Reading Owner's Operating Manual\_001

# Product Overview

---

# Handling Instructions

<b>Inspections</b> .....	<b>Page 4-3</b>	<b>Procedure to Start/Stop Engine</b> .....	<b>Page 4-26</b>
Reel Cutter (Cutting Cylinder) and Bed Knife (Bottom Blade) .....	Page 4-3	Start/Stop of Engine .....	Page 4-26
Cover .....	Page 4-3	Safety Mechanisms .....	Page 4-28
Roller .....	Page 4-3	Warning Mechanisms .....	Page 4-28
Radiator Cover .....	Page 4-3	<b>Operation Method</b> .....	<b>Page 4-28</b>
Dustproof Net .....	Page 4-4	Cautions for when You Leave The Machine .....	Page 4-28
Radiator .....	Page 4-4	Positions of Operation Decals .....	Page 4-28
Coolant .....	Page 4-5	Description of Operation Decals .....	Page 4-29
Hydraulic Oil .....	Page 4-6	Light Switch .....	Page 4-31
Hydraulic Hoses .....	Page 4-7	Throttle Lever .....	Page 4-32
Air Cleaner .....	Page 4-7	Mower Pedal .....	Page 4-32
Battery .....	Page 4-8	Joystick .....	Page 4-33
Electrical Wiring .....	Page 4-9	Mower Unit Up Switch .....	Page 4-33
Tire .....	Page 4-9	2WD/3WD Selector Switch .....	Page 4-34
Brake .....	Page 4-9	Reel Rotation Switch .....	Page 4-35
Belt .....	Page 4-10	Reel Reverse Lever .....	Page 4-35
Wire .....	Page 4-10	Transmission Selector Lever .....	Page 4-36
Safety Device .....	Page 4-10	Traveling Pedal .....	Page 4-36
Around The Engine .....	Page 4-10	Parking Brake Lever .....	Page 4-37
Engine Oil .....	Page 4-10	Hood .....	Page 4-37
Fuel .....	Page 4-11	Underseat Cover .....	Page 4-38
Fuel Filter .....	Page 4-13	Broom Holder .....	Page 4-38
Oil Leakage .....	Page 4-13	Swisher Holder .....	Page 4-39
Grass Catcher .....	Page 4-13	<b>Instruments</b> .....	<b>Page 4-39</b>
<b>Tightening Torques</b> .....	<b>Page 4-14</b>	Instruments on The Operation Panel ...	Page 4-39
Standard Tightening Torques .....	Page 4-14	Hour Meter .....	Page 4-39
Principal Tightening Torques .....	Page 4-17	Water Temperature Gauge .....	Page 4-40
<b>Adjustment before Work</b> .....	<b>Page 4-19</b>	Pilot Lamps .....	Page 4-40
Adjustment of Seat .....	Page 4-19	Fuel Gauge .....	Page 4-41
Adjustment of Armrest .....	Page 4-19	<b>Move</b> .....	<b>Page 4-41</b>
Adjustment of Steering Wheel .....	Page 4-19	Traveling Procedure .....	Page 4-41
Adjustment of Blade Engagement .....	Page 4-20	Towing The Machine .....	Page 4-42
Adjustment of Cutting Height .....	Page 4-21	<b>Cutting Work</b> .....	<b>Page 4-42</b>
Adjustment of Groomer .....	Page 4-23	Cutting Work .....	Page 4-42
Cutting Height and Blade Thickness of Bed Knife (Bottom Blade) .....	Page 4-25	Reel Excess Discharge System .....	Page 4-43
Adjustment of Cutter Adjustment Spring .....	Page 4-26	Removing Grass Catcher .....	Page 4-44
		<b>Transporting</b> .....	<b>Page 4-44</b>

# Handling Instructions

---

Transporting Procedure ..... Page 4-44

**Storage ..... Page 4-44**

Before Long-Term Storage ..... Page 4-44

## Inspections

Inspect the machine according to the maintenance schedule so that you will be able to take advantage of its optimum performance for a long period of time.

### Reel Cutter (Cutting Cylinder) and Bed Knife (Bottom Blade)

Inspection of Reel Cutter (Cutting Cylinder) and Bed Knife (Bottom Blade)

#### Caution

Wear gloves when touching edged tools to avoid cutting your hands.

The reel cutter (cutting cylinder) and bed knife (bottom blade) may become dull due to frequent use, objects crushed during mowing, or damage caused during transportation. Inspect the reel cutter (cutting cylinder) and bed knife (bottom blade), and if necessary, adjust the blade engagement, perform back lapping, or sharpen or replace the reel cutter (cutting cylinder) and the bed knife (bottom blade).

1. Check to see whether or not the edge of the reel cutter (cutting cylinder) and the bed knife (bottom blade) are too blunt to cut.
2. Make sure that the reel cutter (cutting cylinder) and the bed knife (bottom blade) are not cracked.
3. Check to see how much the reel cutter (cutting cylinder) and the bed knife (bottom blade) are worn.
4. Make sure that the reel cutter (cutting cylinder) and the bed knife (bottom blade) have not changed color due to heat from grinding.
5. Check to see whether or not the second edge face (relief) remains at the point of reel cutter (cutting cylinder).
6. Make sure that the welding between the reel cutter (cutting cylinder) and the disc has not come off.

## Cover

Inspection of Covers

#### Warning

If you have removed the covers during inspection, be sure to securely install them in their original positions.

If a cover remains removed, the operator may come into contact with rotating parts or belts and foreign objects may fly off, possibly resulting in injuries.

1. Make sure that there is no wear or deterioration of the reel cover and all other covers.
2. Make sure that there is no damage to the reel cover and all other covers.
3. Make sure that there is no interference with moving parts due to deformation of the reel cover and all other covers.
4. Make sure that the reel cover and all other covers are installed in their appropriate positions.

## Roller

Inspection of Rollers

Bearing wear due to frequent use or bearing damage caused by water infiltration may prevent the roller from rotating smoothly. Inspect the roller and, if necessary, replace parts such as oil seals and bearings.

1. Make sure that there is no abrasion nor adhesion of the roller.
2. Make sure that there is no wear of the roller shaft.
3. Make sure that there is no wear nor damage of the oil seal.
4. Make sure that there is no wear nor rust of the bearing.
5. Make sure that there is no play in the roller shaft.

## Radiator Cover

Inspection of Radiator Cover

1. Make sure that there is no damage to the radiator cover.
2. Make sure that the radiator cover is not contaminated.

# Handling Instructions

## Dustproof Net

### Inspection of Dust-Proof Mesh

1. Make sure that there is no damage to the dust-proof mesh.
2. Make sure that the dust-proof mesh is not contaminated.

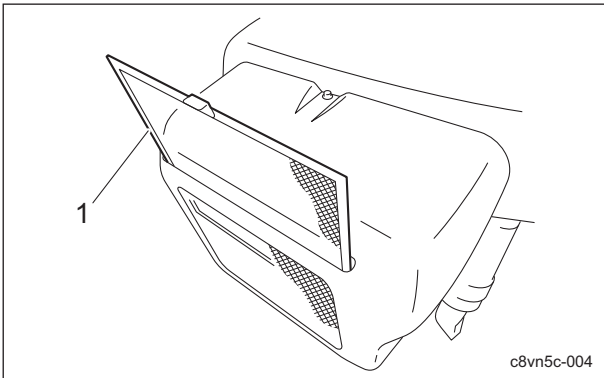
### Cleaning of Dust-Proof Mesh

**Important**

An unclean dust-proof mesh may cause overheating or damage to the engine. It may also cause malfunction of the hydraulic system.

If the dust-proof mesh has been contaminated with dust, be sure to clean it. Especially, after operating the machine in a dusty environment, it is important to remove dust as soon as possible.

1. Pull up the dust-proof mesh.



Cleaning of Dust-Proof Mesh\_001

1	Dust-proof mesh
---	-----------------

2. Carefully clean the front and back of the dust-proof mesh with water or compressed air.

## Radiator

### Inspection of Radiator

1. Make sure that there is no damage to the radiator.
2. Make sure that the radiator is not contaminated.

### Cleaning of Radiator

**Important**

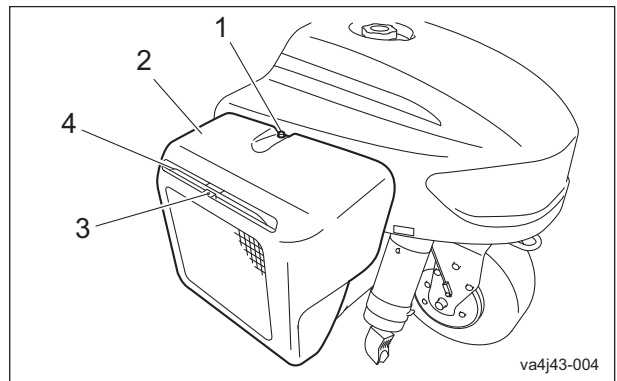
An unclean radiator cover may cause overheating or damage to the engine. It may also cause malfunction of the hydraulic system.

**Important**

Do not use solid objects, such as a spatula or screwdriver, or high-pressure water to clean the radiator or oil cooler. Otherwise, special fins or tubes may be damaged, possibly resulting in reduced cooling performance or coolant leakage.

If the radiator has been contaminated with dust, be sure to clean it. Especially, after operating the machine in a dusty environment, it is important to remove dust as soon as possible.

1. Remove the bolt.
2. Open the radiator cover.
3. Pull up the dust-proof mesh upward and remove it.



Cleaning of Radiator\_001

1	Bolt
2	Radiator cover
3	Dust-proof mesh
4	Radiator

4. Carefully clean the front and back of the radiator with water or compressed air.



# Handling Instructions

## Coolant

### Inspection of Coolant

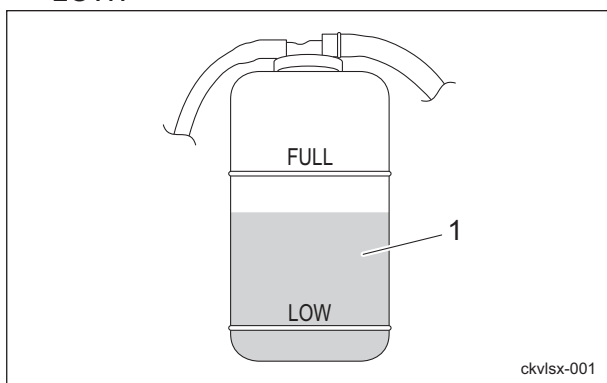
**Caution**

Do not touch the radiator or coolant during engine operation or right after the engine has been turned off. Otherwise, you may get burned due to high temperatures.

**Caution**

Inspection should take place after the engine has well cooled down.

1. Make sure that the coolant level in the reserve tank is between "FULL" and "LOW."



Inspection of Coolant\_001

1	Reserve tank
---	--------------

### Coolant Supply

**Caution**

Do not touch the radiator or coolant during engine operation or right after the engine has been turned off. Otherwise, you may get burned due to high temperatures. After the radiator has well cooled down, open the radiator cap.

**Caution**

Supply coolant after the engine has well cooled down.

**Caution**

The radiator cap is pressurized. If you remove the radiator cap while the engine is overheated, hot steam will burst out, possibly resulting in burns. Make sure that the water temperature and pressure are reduced, and then grab the cap with a thick cloth and gradually open the cap.

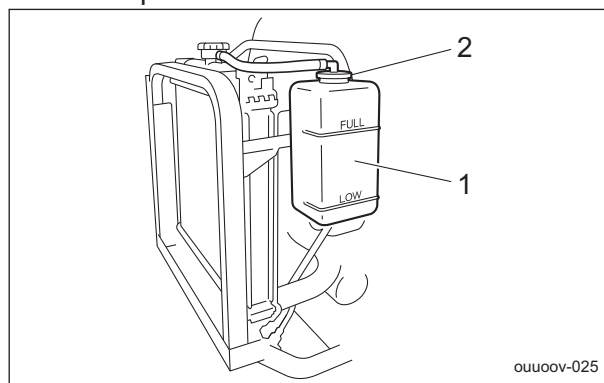
**Important**

When you supply coolant, be sure to use clean water, such as tap water.

**Important**

Tightly close the radiator cap. If the cap is loose or incorrectly installed, water will leak and the engine will be damaged due to overheating.

1. If the coolant level in the reserve tank is lower than the "LOW" mark, open the reserve tank cap and fill the tank with clean water up to the "FULL" mark.



Coolant Supply\_001

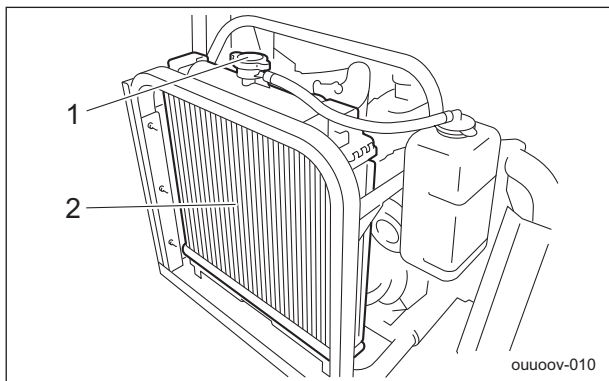
1	Reserve tank
2	Reserve tank cap

2. If no coolant is in the reserve tank, follow the steps below to fill the tank with clean water.

[1] Open the radiator cap, and then supply clean water up to the opening.

# Handling Instructions

[2] Open the reserve tank cap, and then supply clean water up to the "FULL" mark.



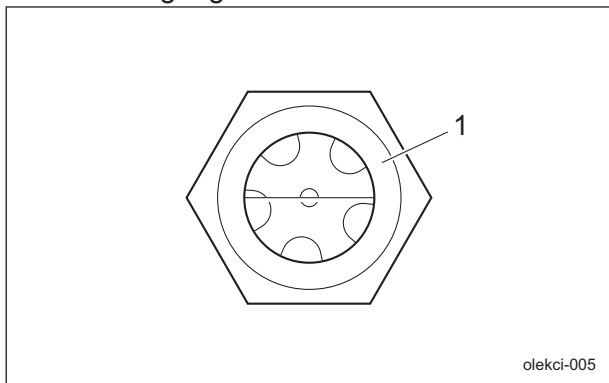
Coolant Supply\_002

1	Radiator cap
2	Radiator

## Hydraulic Oil

### Inspection of Hydraulic Oil

1. Raise the mower units and maintain that position on a level surface.
2. Make sure that the oil level is at the middle of the oil gauge.



Inspection of Hydraulic Oil\_001

1	Oil gauge
---	-----------

3. Check underneath the machine for oil leakage.

### Hydraulic Oil Supply

**Important**

Do not mix different types of oil.

**Important**

Use Shell Tellus S2M46 (or equivalent) as hydraulic oil. In case of an equivalent, consult Characteristics of Hydraulic Oil and use hydraulic oil whose characteristics are superior to those of the specific hydraulic oil. Especially regarding kinematic viscosity and viscosity index, use of hydraulic oil whose figures are less than those of the specified hydraulic oil will cause a malfunction in the hydraulic circuit.

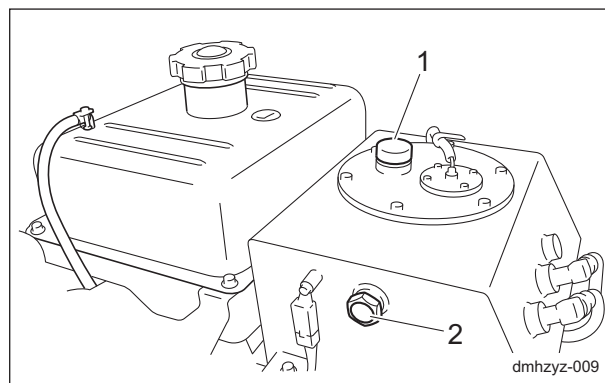
**Note:**

### Characteristics of Hydraulic Oil

Specified Hydraulic Oil		Shell Tellus S2M46
ISO Viscosity Grade		ISO VG46
Density	15 °C (59 °F)	0.873 g/cm <sup>3</sup> (0.0315 lb/in <sup>3</sup> )
API Gravity		30.6
Flash Point (Open Cup)		230 °C (446 °F)
Pour Point		-30 °C (-22 °F)
Kinematic Viscosity	40 °C (104 °F)	46 mm <sup>2</sup> /s (46 cSt)
	100 °C (212 °F)	7 mm <sup>2</sup> /s (7 cSt)
Viscosity Index		109

1. Open the hood.
2. Follow the steps below to supply oil if the oil level is low.

[1] Open the tank cap and supply oil from the fill port until the oil level reaches the middle of the oil gauge on the hydraulic tank.



Hydraulic Oil Supply\_001

1	Tank cap
2	Oil gauge

[2] Tighten the tank cap securely.

# Handling Instructions

3. Start the engine, raise and lower the mower units, and turn the steering wheel left and right.  
Move forward and reverse repeatedly several times.
4. Raise the mower units and maintain that position on a level surface, and then check to see if the oil level is at the middle of the oil gauge. If necessary, supply oil.
5. Check underneath the machine for oil leakage.
6. Close the hood.

## Hydraulic Hoses

### Inspection of Hydraulic Hoses

#### Warning

When checking the hydraulic circuit for pinhole leaks or oil leakage from nozzles, do not use your hands. Use items such as paper or corrugated cardboard to find leakage points.

Be extremely careful with high-pressure oil as it may pierce your skin, resulting in personal accidents.

If fluid is injected into the skin it must be surgically removed within a few hours by a doctor familiar with this form of injury or gangrene may result.

Check the pipes and hoses to make sure that there is no oil leakage, circuit damage, looseness, wear, connector looseness, weather deterioration and chemical deterioration.

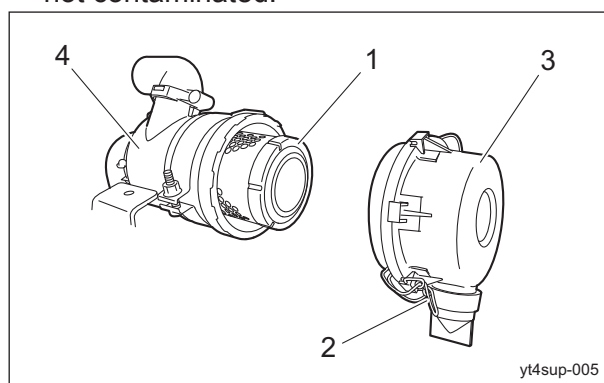
Make any necessary repairs before operating the machine.

## Air Cleaner

### Inspection of Air Cleaner

The air cleaner is a component that removes dirt from the intake air to prevent wear of the cylinder liners and piston rings so that the engine will always operate smoothly. A contaminated air cleaner element may cause malfunction of the engine.

1. Make sure that there is no damage to the air cleaner.
2. Make sure that the air cleaner element is not contaminated.



Inspection of Air Cleaner\_001

1	Air cleaner element
2	Clip
3	Air cleaner cap
4	Air cleaner body

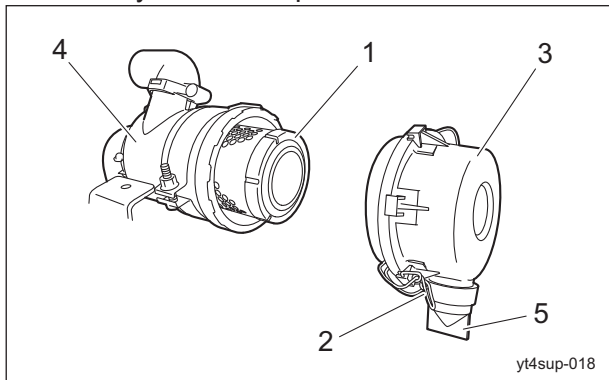
### Cleaning of Air Cleaner

A contaminated air cleaner element may cause malfunction of the engine. To maximize the life of the engine, clean the air cleaner properly.

1. Remove the clips from the two locations and remove the air cleaner cap.
2. Remove the air cleaner element.
3. While paying close attention not to damage the air cleaner element, tap a solid portion of the air cleaner element or blow compressed air from its inside to remove dust and dirt.  
If it is extremely smeared, replace with a new air cleaner element.
4. Open the evacuator valve and remove dust and dirt according to the maintenance schedule.
5. Attach the air cleaner element to the air cleaner body.

# Handling Instructions

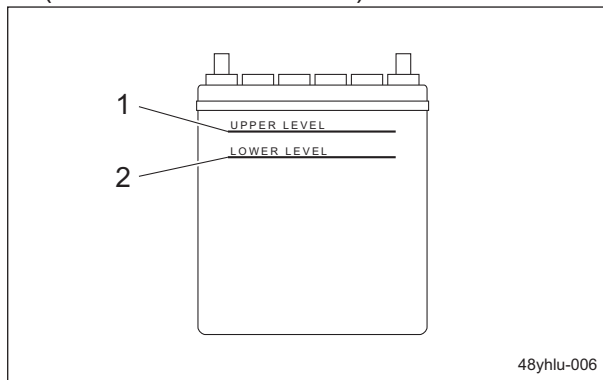
6. Replace the air cleaner cap, and then fix it securely with the clips.



Cleaning of Air Cleaner\_001

1	Air cleaner element
2	Clip
3	Air cleaner cap
4	Air cleaner body
5	Evacuator valve

2. Make sure that the battery fluid level is between the UPPER LEVEL (maximum fluid level line) and the LOWER LEVEL (minimum fluid level line).



Inspection of Battery\_001

1	UPPER LEVEL
2	LOWER LEVEL

## Battery

### Inspection of Battery

**⚠ Danger**

Keep fire away while inspecting or charging the battery.  
The battery may explode.

**⚠ Warning**

Do not allow the battery fluid level to become lower than the LOWER LEVEL (minimum fluid level line).  
The battery may explode if it is used or charged while the battery fluid level is at the LOWER LEVEL (minimum fluid level line).

**⚠ Caution**

Implement after the engine and muffler etc. have well cooled down.  
Otherwise you may get burned.

1. Clean the areas around the battery fluid level lines using a cloth dampened with water.

# Handling Instructions

## Supply of Battery Fluid

### **Danger**

Be careful not to let your skin, eyes or clothes, etc., come into contact with the battery fluid or accidentally swallow the fluid. Should your skin or clothes come into contact with the battery fluid, immediately wash them away with water.

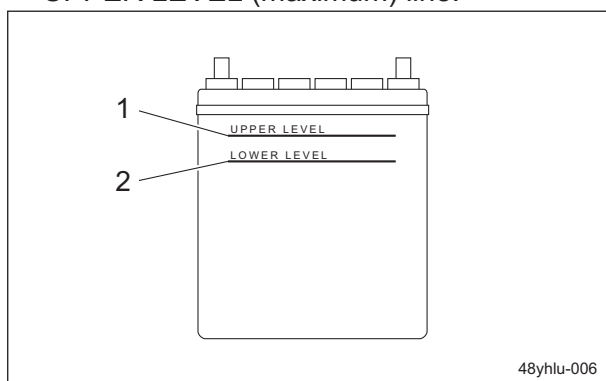
### **Danger**

When you supply battery fluid, wear protective garments and safety glasses, etc.

### **Caution**

Implement after the engine and muffler etc. have well cooled down. Otherwise you may get burned.

1. If the battery fluid level is lower than halfway between the UPPER LEVEL (maximum) line and LOWER LEVEL (minimum) line, add purified water up to the UPPER LEVEL (maximum) line.



48yhlu-006

Supply of Battery Fluid\_001

1	UPPER LEVEL
2	LOWER LEVEL

## Electrical Wiring

### Inspection of Electrical Wiring

#### Important

Electrical short circuit will cause fire, electrical leakage and malfunction of electrical equipments.

Inspect electrical wiring for poor terminal connections, damaged wiring or terminals, loose connections, weather-related deterioration and chemical-related deterioration.

If necessary, repair before operating the machine.

## Tire

### Inspection of Tires

1. Check the pneumatic pressure of the tires.
2. Make sure that there are no cracks, damage or abnormal wear.  
(For green/For field)

	Tire size	Pneumatic pressure
Front wheel	Smooth 18 × 9.50-8 2P	80 kPa (0.8 kgf/cm <sup>2</sup> )
Rear wheel	Smooth 18 × 9.50-8 2P	80 kPa (0.8 kgf/cm <sup>2</sup> )

(For teeing ground)

	Tire size	Pneumatic pressure
Front wheel	Pillow Dia 18 × 8.50-8 4P	100 kPa (1.0 kgf/cm <sup>2</sup> )
Rear wheel	Pillow Dia 18 × 8.50-8 4P	100 kPa (1.0 kgf/cm <sup>2</sup> )

## Brake

### Inspection of Parking Brake

1. Make sure that the brake is applied when you pull the parking brake lever.
2. Make sure that the brake is not applied even slightly when you press the push button to release the parking brake lever.

# Handling Instructions

## Belt

### Inspection of Belt

**Warning**

The engine must be stopped when the belt is inspected.

**Important**

A slacking or damaged belt or damaged fan may cause overheating or lack of a battery charge.

1. Press the middle of the belt with your finger to check the belt tension.
2. Make sure that there are no cracks, damage or abnormal wear.

## Wire

### Inspection of Wire

1. Make sure that the wire is not cracked or damaged.
2. If the wire is cracked or damaged, replace it with a new one immediately.

## Safety Device

### Inspection of Safety Device

Make sure that the safety device operates correctly.  
"Safety Mechanisms" (Page 4-28)

## Around The Engine

### Inspection of Engine-Associated Parts

1. Check the fuel system parts for loosened or cracked joints and leakage. Replace the parts if necessary.
2. Blow compressed air to clean any grass or flammable materials that may be attached on or around the muffler.

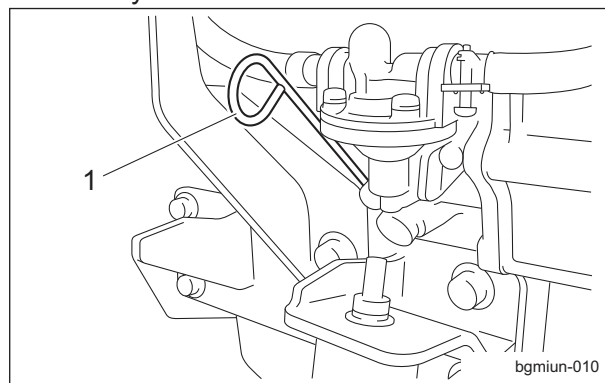
## Engine Oil

### Inspection of Engine Oil

**Important**

Securely tighten the oil level gauge and oil filler cap.

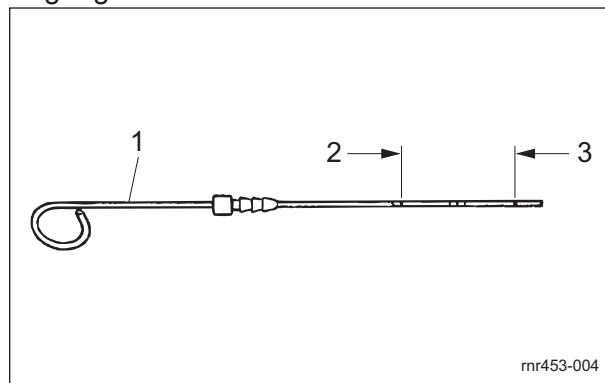
1. Stop the engine, wait for 10 to 20 minutes for the engine to cool down, and then check the oil level.
2. Position the machine so that the engine will be level, then insert the oil level gauge all the way to check the oil level.



Inspection of Engine Oil\_001

1	Oil level gauge
---	-----------------

3. The appropriate oil level should be between the upper and lower limit lines on the gauge.



Inspection of Engine Oil\_002

1	Oil level gauge
2	Upper limit
3	Lower limit

# Handling Instructions

## Supply of Engine Oil

For details on handling the engine, please refer to the separate Engine Handling Manual.

### Important

Do not supply too much engine oil. Otherwise, the engine may be damaged.

### Important

Do not mix different types of engine oil.

### Important

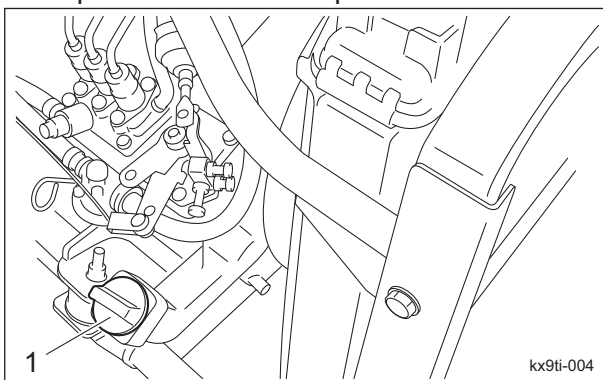
Be sure to use engine oil that is classified as API Service Grade CF or higher, with an SAE Viscosity that is appropriate for the operating environment (ambient temperature).

### Important

Securely tighten the oil level gauge and oil filler cap.

1. Engine oil is supplied through the oil filler cap.  
Remove the oil filler cap, and then supply new engine oil until the oil reaches a level in between the upper and lower limit lines on the oil level gauge.

2. Replace the oil filler cap.



Supply of Engine Oil\_001

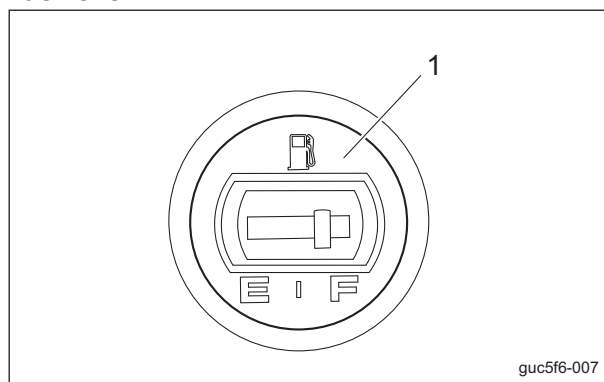
1	Oil filler cap
---	----------------

3. It will take a while for the supplied engine oil to descend into the oil pan.  
Check the oil level again 10 to 20 minutes after filling the oil.

## Fuel

### Inspection of Fuel Quantity

With the machine on a level surface, observe the fuel gauge on the fuel tank to check the fuel level.



Inspection of Fuel Quantity\_001

1	Fuel gauge
---	------------

# Handling Instructions

## Fuel Supply

**Warning**

Supply fuel before starting the engine. Never remove the tank cap or supply fuel while the engine is running. When opening the tank cap, wait at least 1 minute after stopping the engine, and then slowly open the cap to release the pressure in the tank. Opening the tank cap quickly may cause fuel to burst out.

**Warning**

Keep fire away while refueling. Do not smoke while refueling.

**Warning**

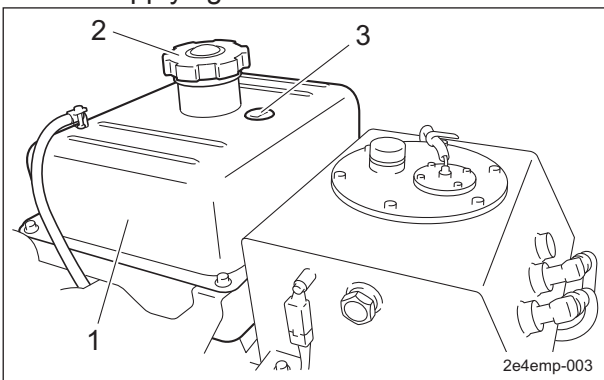
Do not supply fuel above F (FULL) level of the fuel gauge. If you supply too much fuel, it might overflow from the fuel cap when you travel or work on a slope.

If the fuel gauge on the fuel tank indicates a level close to E (EMPTY), supply fuel (diesel) at your earliest convenience.

The fuel tank capacity is approximately 20.0 dm<sup>3</sup> (20.0 L).

Note:

If the cargo box installed, slide it backward before supplying fuel.



Fuel Supply\_001

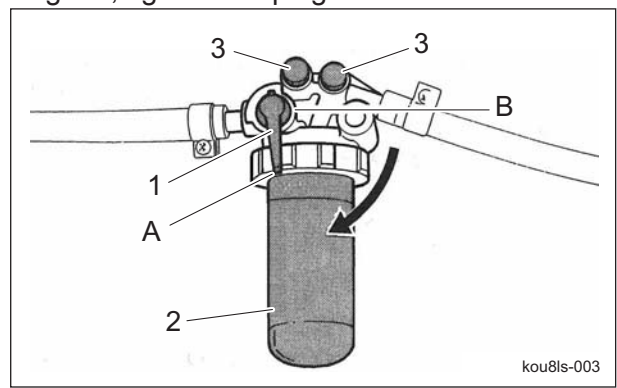
1	Fuel tank
2	Tank cap
3	Fuel gauge

## Air Bleeding of Fuel System

**Important**

Be sure to tighten the air-bleeding plug except when air bleeding. Otherwise, it may cause the engine stop.

1. Fill up the fuel tank with fuel and open the fuel cock.
2. Loosen the air-bleeding plug of the fuel filter 2 to 3 turns.
3. If air bubble of the fuel from the plug has gone, tighten the plug.

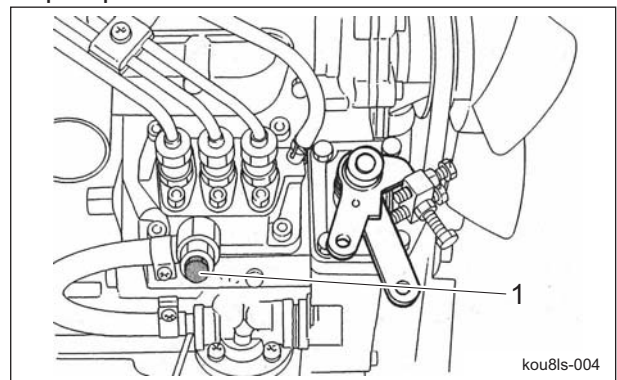


kou8ls-003

Air Bleeding of Fuel System\_001

1	Fuel cock
2	Fuel filter
3	Air-bleeding plug
A	ON (Open)
B	OFF (Close)

4. Loosen the air-bleeding plug of the injection pump.



kou8ls-004

Air Bleeding of Fuel System\_002

1	Air-bleeding plug
---	-------------------

5. Sit on the operator's seat.
6. Make sure that the parking brake is applied.
7. Turn the reel rotation switch to the "STOP" side.



# Handling Instructions

8. Make sure that the traveling pedal is neutral.
9. Set the ignition key to "START" position.

### Important

In the case that there are still air bubbles in the fuel from air-bleeding plug even after 15 seconds or more pass after setting the ignition key to "START", pause for 30 seconds or more and then repeat the same steps.

10. If the starter rotates and air bubble of the fuel from the air-bleeding plug has gone, return the ignition key slowly to "OFF" position and tighten the plug.

## Fuel Filter

### Inspection of Fuel Filter

The fuel filter works to remove foreign objects mixed into the fuel.

When the fuel flow becomes insufficient, replace the fuel filter if necessary.

1. Make sure that there is no fuel leakage.
2. Make sure that the fuel filter is not damaged or dirty.

## Oil Leakage

### Inspection of Oil Leakage

### Caution

When performing maintenance on the hydraulic system, lower the mower units.

After approximately 50 hours of operation, some tightened portions may be loosened and oil and grease may leak. Be sure to retighten the parts. Check the bottom of the machine for oil and grease leakage.

## Grass Catcher

### Inspection of Grass Catcher

The grass catcher may no longer correctly collect grass clippings due to its wear, damage, deformation, etc., caused by frequent use.

1. Make sure that there is no wear or deterioration of the grass catcher.
2. Make sure that there is no damage to the grass catcher.
3. Make sure that there is no interference to moving parts due to deformation of the grass catcher.

# Handling Instructions

---

## Tightening Torques

**Important**

Refer to the Tightening Torque table.  
Note that the Baroness product warranty may not apply to defects caused by incorrect or overtorque tightening, etc.

## Standard Tightening Torques

### Bolts and Nuts

**Important**

A number of bolts are used in each part of this machine.  
Be sure to re-tighten the bolts and nuts, because they may be loosened at the earlier stage of the use.

As to the bolts and nuts without any special instruction, tighten them in appropriate tightening torque with proper tool.

Too much tightening may cause the looseness or damage of the screw.

The strength of tightening is determined by types of screws, strength, the friction of thread face or base face and others.

The table below is for the galvanized or parkerized bolts.

In case that the strength of internal thread is weak, it is not applied.

Do not use rusty or sand attached "screw."

Otherwise, it may cause insufficient tightening even if you apply the specified tightening torque.

The friction of the screw face becomes higher and the tightening torque is canceled out by the friction, therefore sufficient tightening cannot be applied.

If "screw" is wet by water or oil, do not tighten it with normal tightening torque.

If the screw is wet, the torque coefficient will get smaller and it may result in too much tightening.


Too much tightening may cause looseness by the screw stretched or result in damage.



Do not use a bolt experienced too much burden.

Using the impact wrench requires the skill.

Do exercise as much as possible for steady tightening.

# Handling Instructions

Nominal diameter	General bolt		
	Strength classification 4.8		
	 tib3yb-001		
	N-m	kgf-cm	lb-in
M5	3 - 5	30.59 - 50.99	26.55 - 44.26
M6	7 - 9	71.38 - 91.77	61.96 - 79.66
M8	14 - 19	142.76 - 193.74	123.91 - 168.17
M10	29 - 38	295.71 - 387.49	256.68 - 336.34
M12	52 - 67	530.24 - 683.20	460.25 - 593.02
M14	70 - 94	713.79 - 958.52	619.57 - 831.99
M16	88 - 112	897.34 - 1142.06	778.89 - 991.31
M18	116 - 144	1,182.85 - 1,468.37	1,026.72 - 1,274.54
M20	147 - 183	1,498.96 - 1,866.05	1,301.10 - 1,619.73
M22	295	3,008.12	2,611.05
M24	370	3,772.89	3,274.87
M27	550	5,608.35	4,868.05
M30	740	7,545.78	6,549.74

Nominal diameter	Heat-treated bolt					
	Strength classification 8.8			Strength classification 10.9		
	 tib3yb-002			 tib3yb-003		
	N-m	kgf-cm	lb-in	N-m	kgf-cm	lb-in
M5	5 - 7	50.99 - 71.38	44.26 - 61.96	7 - 10	71.38 - 101.97	61.96 - 88.51
M6	8 - 11	81.58 - 112.17	70.81 - 97.36	14 - 18	142.76 - 183.55	123.91 - 159.32
M8	23 - 29	234.53 - 295.71	203.57 - 256.68	28 - 38	285.52 - 387.49	247.83 - 336.34
M10	45 - 57	458.87 - 581.23	398.30 - 504.51	58 - 76	591.43 - 774.97	513.36 - 672.68
M12	67 - 85	683.20 - 866.75	593.02 - 752.34	104 - 134	1,060.49 - 1,366.40	920.50 - 1186.03
M14	106 - 134	1,080.88 - 1,366.40	938.21 - 1,186.03	140 - 188	1,427.58 - 1,917.04	1,239.14 - 1,663.99
M16	152 - 188	1,549.94 - 1,917.04	1,345.35 - 1,663.99	210 - 260	2,141.37 - 2,651.22	1,858.71 - 2,301.26
M18	200 - 240	2,039.40 - 2,447.28	1,770.20 - 2,124.24	280 - 340	2,855.16 - 3,466.98	2,478.28 - 3,009.34
M20	245 - 295	2,498.27 - 3,008.12	2,168.50 - 2,611.05	370 - 450	3,772.89 - 4,588.65	3,274.87 - 3,982.95
M22	-	-	-	530	5,404.41	4,691.03
M24	-	-	-	670	6,831.99	5,930.17
M27	-	-	-	1,000	10,197.00	8,851.00
M30	-	-	-	1,340	14,628.78	11,860.34

**Note:**

The same values are applied to "fine screw thread."

# Handling Instructions

---

## Hydraulic Hose

The tightening torques for union joints and union adaptors with parallel pipe threads (G, PF) are shown in the table below.

A union joint or adaptor will not become loose or leak as long as it is tightened by the specified torque.

If fluid leaks from the sealed portion, do not attempt to tighten the union joint or adaptor forcibly.

Examine whether any foreign matter or scratches are present on the seat surface.

Tightening a union joint or adaptor forcibly could damage the connection of the joints.

When tightening a union joint or adaptor, use a torque wrench where possible and firmly tighten it by an appropriate torque.

Nominal diameter of the hose size	Nominal diameter of the parallel pipe threads (PF)	Tightening torque		
		N-m	kgf-cm	lb-in
6	1/4	24.50	250	221.28
9	3/8	49.03	500	564.91
12	1/2	58.84	600	677.89
15	3/4	117.68	1200	1,355.78
19	3/4	117.68	1200	1,355.78
25	1	137.30	1400	1,581.74
32	1-1/4	166.72	1700	1,920.69
38	1-1/2	205.94	2100	2,372.61
50	2	245.17	2500	2,824.54

## Fittings with Parallel Threads (O-Ring Seal Type)

The tightening torques for fittings with parallel threads (O-ring seal method) are shown in the table below.

Tightening the fitting forcibly with a spanner or other such tool to secure it to a set position could damage the fitting, its washers, and other parts. Be sure to tighten the fitting to the torque appropriate to its size.

Nominal diameter of thread	Tightening torque		
	N-m	kgf-cm	lb-in.
1/4	34.32 - 49.03	350 - 500	309.79 - 442.55
3/8	68.65 - 78.45	700 - 800	619.57 - 708.08
1/2	98.07 - 117.68	1000 - 1200	885.10 - 1,062.12
3/4	147.10 - 176.52	1500 - 1800	1,327.65 - 1,593.18
1	245.17 - 274.59	2500 - 2800	2,212.75 - 2,478.28
1-1/4	294.20	3000	2,655.30
1-1/2	294.20	3000	2,655.30
2	392.27	4000	3,540.40

# Handling Instructions

## Principal Tightening Torques

### Tightening Torque by Model

LM315GC

Tighten the following bolts and nuts at the torque specified in the table.

For thread locking adhesive, apply a middle strength thread locker (ThreeBond 1322 or equivalent anaerobic sealant).

Location	Code	Part name	Tightening torque			Thread locking adhesive
			N-m	kgf-cm	lb-in	
Front frame	K0010080202	Bolt, heat-treated M8-20	23 - 38	234.53 -387.49	203.57 - 336.34	-
Engine coupling	Joint	K0010080152	23 - 38	234.53 -387.49	203.57 - 336.34	-
	Belt collar	K0010080302	23 - 38	234.53 -387.49	203.57 - 336.34	-
Diesel engine	Engine mount	K0017100252	45 - 57	1835.46 - 2039.40	1593.18 - 1770.20	-
	Wire mounting adjuster	K0011100302	45 - 57	1835.46 - 2039.40	1593.18 - 1770.20	-
	Muffler mounting adjuster	K0011100352	45 - 57	1835.46 - 2039.40	1593.18 - 1770.20	-
	Pulley mounting adjuster	K0010080202	23 - 38	234.53 -387.49	203.57 - 336.34	-
	Engine pulley D	K0010080202	23 - 38	234.53 -387.49	203.57 - 336.34	-
	Clamping plates	K0010080252	14 - 19	142.76 - 193.74	123.91 - 168.17	-
Front wheel	Wheel	K0010100302	58 - 76	591.43 - 774.97	513.36 - 672.68	-
	Wheel mounting base	K0138240002	180 - 200	1835.46 - 2039.40	1593.18 - 1770.20	-
3WD rear wheel	Motor	K0000120502	52 - 67	530.24 - 683.20	460.25 - 593.02	-
	Wheel	K0013101202	58 - 76	591.43 - 774.97	513.36 - 672.68	-
	Wheel mounting base	K0138240002	180 - 200	1835.46 - 2039.40	1593.18 - 1770.20	-
	Brake Assy	K0010080252	14 - 19	142.76 - 193.74	123.91 - 168.17	-
2WD rear wheel	Wheel	K0010100302	45 - 57	1835.46 - 2039.40	1593.18 - 1770.20	-
	Brake drum	K0010100302	45 - 57	1835.46 - 2039.40	1593.18 - 1770.20	-

# Handling Instructions

Location	Code	Part name	Tightening torque			Thread locking adhesive	
			N-m	kgf-cm	lb-in		
Mower unit	Reel shaft	LM315GB2102Z0	Reel gear fixing nut	2.5	25.49	22.13	-
	Reel shaft (with Groomer)	LM315GB2101Z0	20-tooth reel gear	2.5	25.49	22.13	-
	Bed knife (Bottom blade)	K0071000222	Screw, heat-treated flathead M6-12	7 - 9	71.38 - 91.77	61.96 - 79.66	-
	Groomer reel	K0160000602	17 special nut P1M4	5 - 10	50.99 - 101.97	44.26 - 88.51	-
	Gearbox	LM315GA1817Z0	Reverse shaft	52 - 67	530.24 - 683.20	460.25 - 593.02	○
		LM315GA1816Z0	Intermediate shaft	52 - 67	530.24 - 683.20	460.25 - 593.02	○
	Front roller	K6083000042	Connected pin, 15-19	29 - 38	295.71 - 387.49	256.68 - 336.34	-
		K0071000152	Bolt, Left-handed Thread	29 - 38	295.71 - 387.49	256.68 - 336.34	-
	Groomer mounting	K6809000270	Screw	18	183.55	159.32	-
		LM315GA1835Z0	Mower mounting bolt, left	20	203.94	177.02	-
		LM315GA1836Z0	Mower mounting bolt, right	20	203.94	177.02	-
	ROPS pillar right/left	K0010120402	Bolt, heat-treated M12-40	104 - 134	1,060.49 - 1,366.40	920.5 - 1,186.3	-
CR Brush	LM315GC7603Z2	Pulley, reel shaft	14 - 19	142.76 - 193.74	123.91 - 168.17	○	
Steering wheel	K0105160002	NUT, P1.5 M16-3	88	897.34	778.89	-	

## Adjustment before Work

### Adjustment of Seat

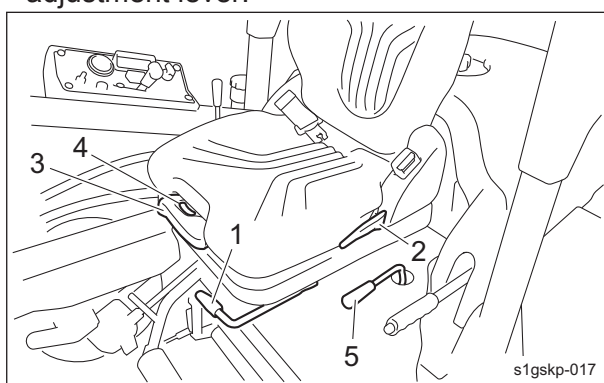
Use the seat adjustment levers to adjust the seat.

Adjust the position according to the operator's body size.

#### Important

After adjustment of the seat, make sure that the backrest does not interfere with the hood with the operator seated.

1. Use the forward/backward adjustment lever to adjust the seat back and forth.
2. Use the backrest tilt adjustment lever to adjust the angle of the backrest.
3. Pull out the suspension adjustment handle and move it up or down to adjust the firmness of the seat suspension. Observe the suspension adjustment scale while making adjustments. [50 - 160 kg (110.2 - 352.7 lb)]
4. The seat can be adjusted to one of three levels by pulling up the forward tilt angle adjustment lever.



Adjustment of Seat\_001

1	Forward/backward adjustment lever
2	Angle adjustment lever
3	Suspension adjustment handle
4	Suspension adjustment scale
5	Forward tilt angle adjustment lever

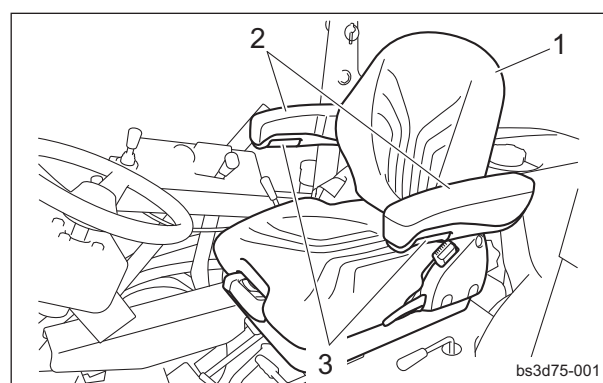
### Adjustment of Armrest

Note:

Depending on the specifications, this function may not be available.

The armrest angle can be adjusted by turning the armrest adjustment knob.

Adjust it to fit the operator.



Adjustment of Armrest\_001

1	Seat
2	Armrest
3	Armrest adjustment knob

### Adjustment of Steering Wheel

#### Warning

Since it is dangerous, do not adjust the steering wheel while traveling.

#### Caution

Be sure the steering wheel position is securely locked. It may result in an unexpected accident if it becomes loose while traveling.

#### Caution

When operating the height adjustment lever, be careful not to pinch your hands.

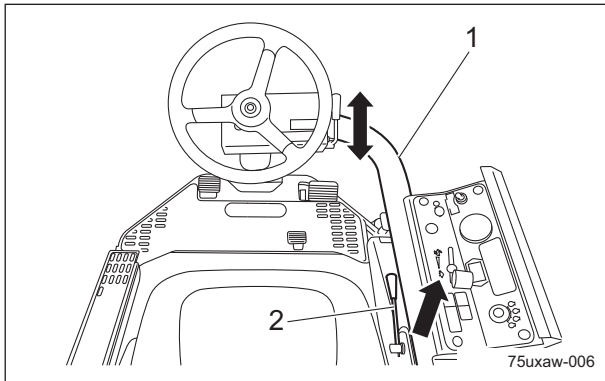
The steering wheel arm can be adjusted up or down.

Adjust the position according to the operator's body size.

Pull up the height adjustment lever, position the steering wheel arm to a proper position for your work and push down the height adjustment lever to lock it.

The height adjustment lever is attached to the right of the seat.

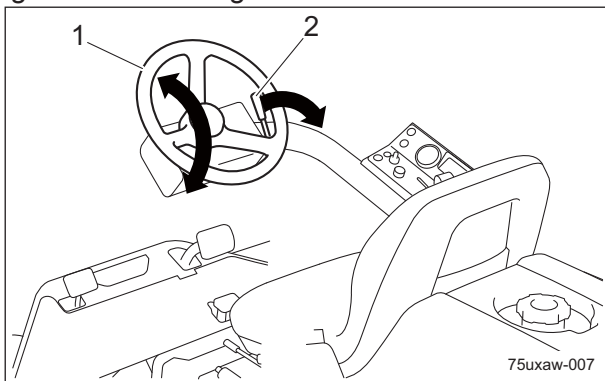
# Handling Instructions



Adjustment of Steering Wheel\_001

1	Steering wheel arm
2	Height adjustment lever

The steering wheel angle can be adjusted up or down.  
Adjust the position according to the operator's body size.  
Pull the angle adjustment lever, position the steering wheel to a proper position for your work and push the angle adjustment lever forward to lock it.  
The angle adjustment lever is attached to the right of the steering wheel.



Adjustment of Steering Wheel\_002

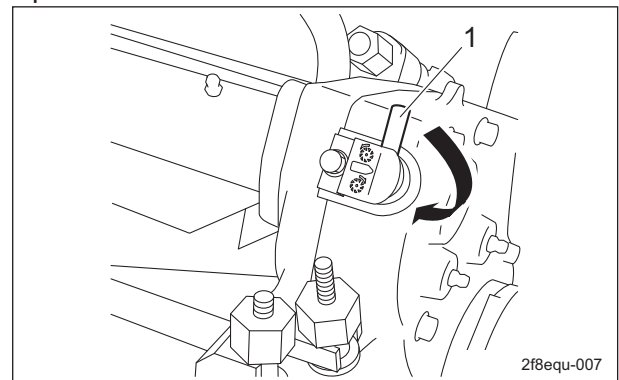
1	Steering wheel
2	Angle adjustment lever

## Adjustment of Blade Engagement

### ⚠ Caution

When handling the reel cutter (cutting cylinder) or bed knife (bottom blade), wear gloves to protect your hands. Pay attention not to let the reel cutter (cutting cylinder) catch your gloves. Otherwise, you may injure your hand or fingers.

1. Stop the engine.
2. Set the reel reverse lever to the "Neutral" position.



Adjustment of Blade Engagement\_001

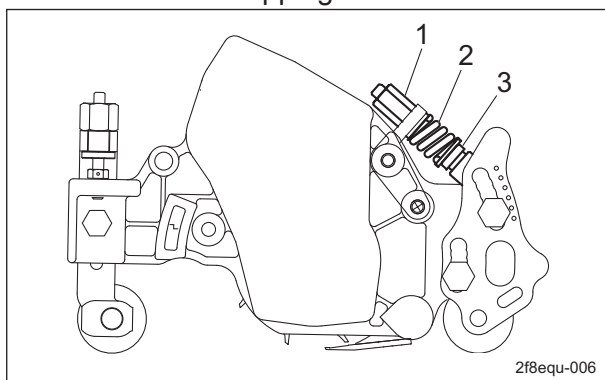
1	Reel reverse lever
---	--------------------

3. Adjust the engagement between the reel cutter (cutting cylinder) and the bed knife (bottom blade) so that newspaper (one piece) will be cut cleanly by the edge of both blades when the blades in their entirety come slightly into contact with each other via the cutter adjustment nuts.
4. Insert a strip of newspaper into the space between the reel cutter (cutting cylinder) and the bed knife (bottom blade) at an angle of 90 degrees. Then, rotate the reel cutter (cutting cylinder) counter-clockwise (when you face the mower unit from the left) to check the sharpness of the blades. Check the sharpness of the entire range (three or four points) of the reel cutter (cutting cylinder).
  - If a gap is created between edges: Loosen (rotate counter-clockwise) the cutter adjustment nut to apply more contact pressure between the reel cutter (cutting cylinder) and the bed knife (bottom blade).



# Handling Instructions

- If the reel cutter (cutting cylinder) is too tight to turn:  
Tighten (rotate clockwise) the cutter adjustment nut to reduce the contact pressure between the reel cutter (cutting cylinder) and the bed knife (bottom blade).
- If the sharpness is not improved by the adjustment:  
Perform back lapping.



Adjustment of Blade Engagement\_002

1	Cutter adjustment nut
2	Spring
3	Pipe with cutter adjusting screw

## Adjustment of Cutting Height

### Important

This applies the set cutting height that differs from the actual cutting height.

Adjust the cutting height to fit your cutting work.

### Adjustment of Rear Roller

LM315GC (for greensmowing)

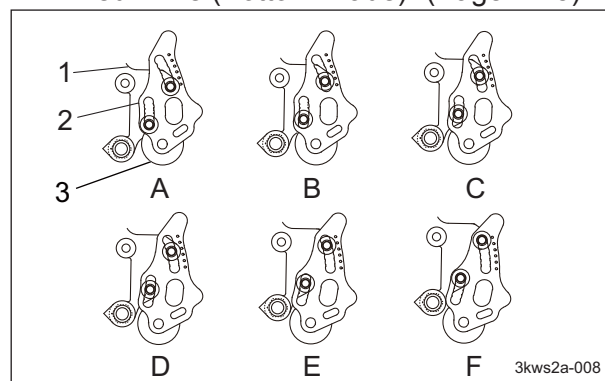
You can adjust the rear roller by six stages.

1. Attach the rear roller in a position that suits your work requirements within the cutting height range.

#### Note:

The figure below shows the position of the rear roller bracket with a new reel cutter when using a 2.0 mm bed knife. The lowest cutting height differs with thickness of the bed knife.

"Cutting Height and Blade Thickness of Bed Knife (Bottom Blade)" (Page 4-25)



Adjustment of Rear Roller\_001

1	Mower frame
2	Rear roller bracket
3	Rear roller
A	Use when the reel cutter is worn out
B	3.5 - 5.0 mm (0.138 - 0.197 in)
C	3.5 - 10.0 mm (0.138 - 0.394 in)
D	10.0 - 14.0 mm (0.394 - 0.551 in)
E	14.0 - 18.0 mm (0.551 - 0.709 in)
*	F 18.0 - 20.0 mm (0.709 - 0.787 in)

\* Not recommended by manufacturer.

#### Note:

If the cutting height was the same with settings B and C, the volume of mowing would be larger with C since the offset distance is larger.

# Handling Instructions

## LM315GC (for tee mowing)

You can adjust the rear roller by eight stages.

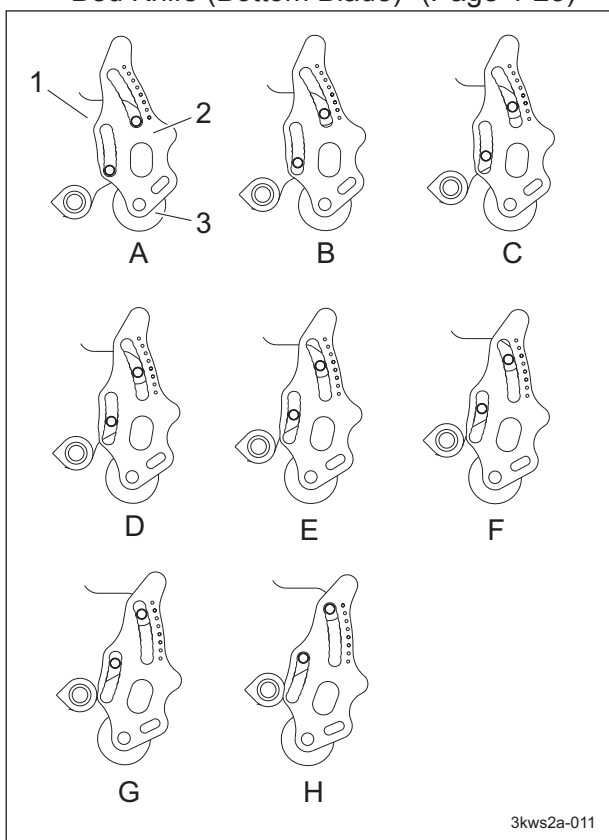
1. Attach the rear roller in a position that suits your work requirements within the cutting height range.

Note:

The figure below shows the position of the rear roller bracket with a new reel cutter using 3.0 mm bed knife.

The lowest cutting height differs with thickness of the bed knife.

"Cutting Height and Blade Thickness of Bed Knife (Bottom Blade)" (Page 4-25)



Adjustment of Rear Roller\_002

1	Mower frame
2	Rear roller bracket
3	Rear roller
A	Use when the reel cutter is worn out
B	6.0 - 13.0 mm (0.236 - 0.512 in)
C	13.0 - 17.0 mm (0.512 - 0.669 in)
D	17.0 - 20.0 mm (0.669 - 0.787 in)
* E	20.0 - 25.0 mm (0.787 - 0.984 in)
* F	25.0 - 28.0 mm (0.984 - 1.102 in)
* G	28.0 - 32.0 mm (1.102 - 1.260 in)
* H	32.0 - 35.0 mm (1.260 - 1.378 in)

\* Not recommended by manufacturer.

## LM315GC (for field mowing)

You can adjust the rear roller by eight stages.

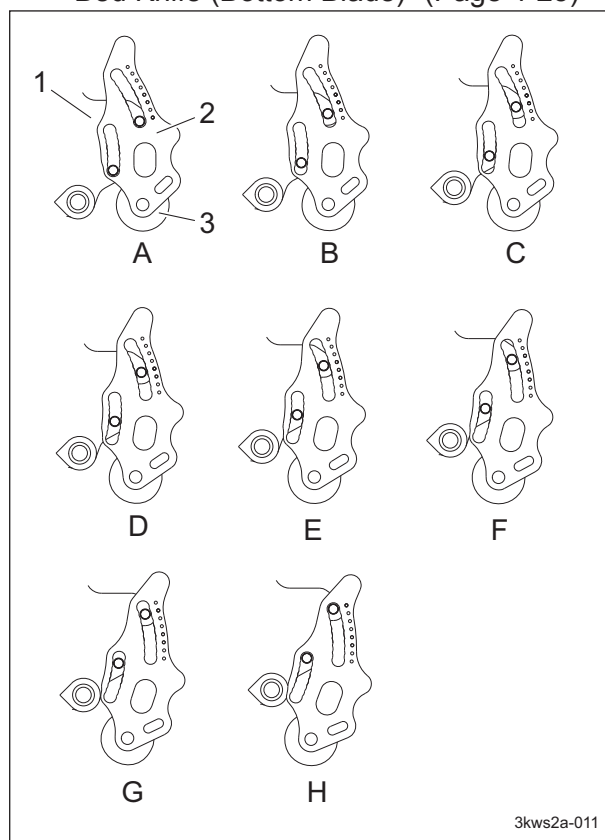
1. Attach the rear roller in a position that suits your work requirements within the cutting height range.

Note:

The figure below shows the position of the rear roller bracket with a new reel cutter using 3.0 mm bed knife.

The lowest cutting height differs with thickness of the bed knife.

"Cutting Height and Blade Thickness of Bed Knife (Bottom Blade)" (Page 4-25)



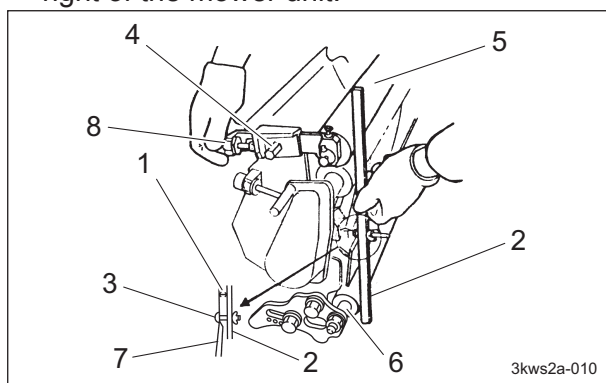
Adjustment of Rear Roller\_003

1	Mower frame
2	Rear roller bracket
3	Rear roller
A	10.0 - 13.0 mm (0.394 - 0.512 in)
B	13.0 - 17.0 mm (0.512 - 0.669 in)
C	17.0 - 22.0 mm (0.669 - 0.866 in)
D	22.0 - 28.0 mm (0.866 - 1.102 in)
E	28.0 - 33.0 mm (1.102 - 1.299 in)
F	33.0 - 37.0 mm (1.299 - 1.457 in)
G	37.0 - 40.0 mm (1.457 - 1.575 in)
* H	40.0 - 43.0 mm (1.575 - 1.693 in)

\* Not recommended by manufacturer.

## Adjustment of Front Roller

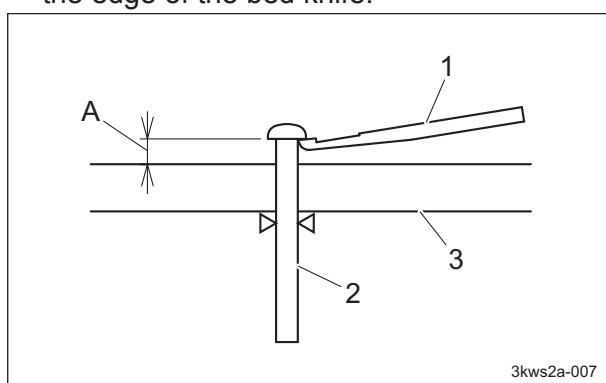
1. Set the slide caliper to the required cutting height, adjust the neck position of the cutting height setting screw of the cutting height gauge and securely lock with a fly nut.
2. Loosen the nut which fixes the roller bracket of the front roller.
3. Apply the cutting height gauge to the front and rear rollers at each edge of left and right of the mower unit.



Adjustment of Front Roller\_001

1	Cutting height
2	Cutting height gauge
3	Cutting height setting screw
4	Nut
5	Front roller
6	Rear roller
7	Bed knife (bottom blade)
8	Roller adjuster

4. Adjust the front roller up and down by the roller adjuster to determine the position of the front roller, in order not to have a gap with the neck position of the cutting height setting screw of the cutting height gauge, at the edge of the bed knife.



Adjustment of Front Roller\_002

1	Bed knife (bottom blade)
2	Cutting height setting screw
3	Cutting height gauge
A	Cutting height

5. Repeat the same process at the opposite side for the adjustment of cutting height.
6. Tighten the nuts that secure the right and left roller brackets to secure them firmly.
7. Again, make sure that the cutting height is at the required position by applying the cutting height gauge to the front and rear rollers at each edge of right and left of the mower unit.

## Adjustment of Groomer

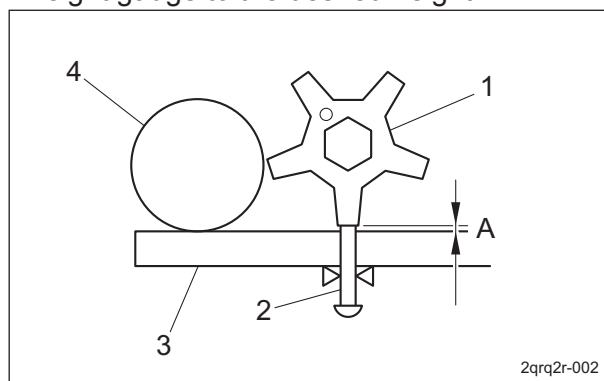
Note:

Depending on the specifications, this function may not be available.

## Important

- For adjustment, be sure to use the cutting height gauge so that the right and left sides can be parallel. Otherwise it may cause damage on the bearings.
- Set the grooming height more than 0.0 mm (0.0 in) from the ground. Otherwise it will cause damage on the groomer shaft, bearings and gears etc.
- When using the grooming brush, set it to the same height as the cutting height. If it is set lower, it will wear easily.

1. Set the groomer setting screw of the cutting height gauge to the desired height.

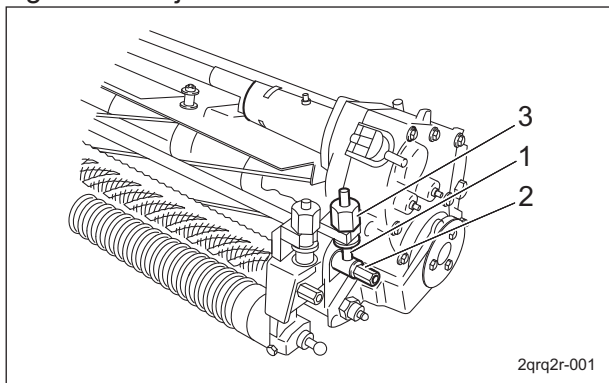


Adjustment of Groomer\_001

# Handling Instructions

1	Front groomer
2	Groomer setting screw
3	Cutting height gauge
4	Front roller
A	Operating height

2. Loosen the nuts fixing the right and left groomer adjustment bolts.

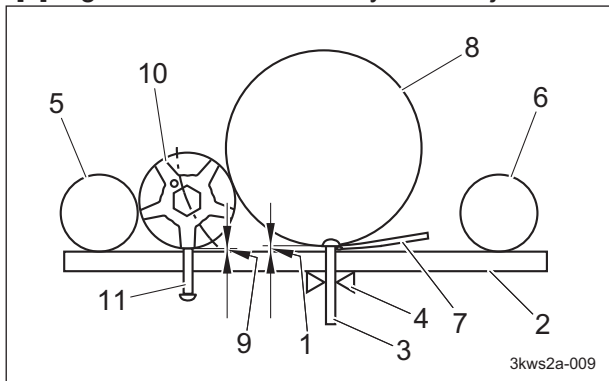


Adjustment of Groomer\_002

1	Groomer adjustment bolt
2	Nut
3	Groomer adjuster

3. Adjust the groomer adjuster so that the groomer setting screw can contact with the cutting edge of the groomer.

- [1] Place the cutting height gauge set to the desired height on the ends of the front and rear rollers.
- [2] Adjust the groomer adjuster up and down so that the right and left sides can be parallel.
- [3] Adjust it at the other side in the same manner.
- [4] Tighten the nuts securely after adjustment.



Adjustment of Groomer\_003

1	Cutting height
2	Cutting height gauge
3	Cutting height setting screw
4	Nut
5	Front roller
6	Rear roller
7	Bed knife (bottom blade)
8	Reel cutter (cutting cylinder)
9	Grooming height
10	Front groomer
11	Groomer setting screw

# Handling Instructions

## Cutting Height and Blade Thickness of Bed Knife (Bottom Blade)

### Important

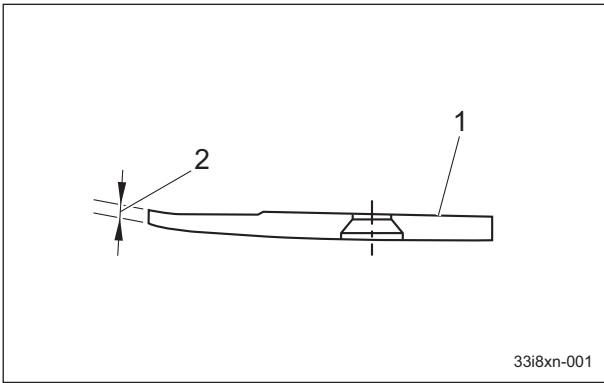
The recommended minimum cutting heights are based on those of common greens. They may vary according to the green conditions and machine specifications. If the green undulation is hard, set it a little bit higher in order not to damage the green surface.

Blade thickness of the bed knife (bottom blade) roughly affects the recommended minimum cutting height like the figures below.

Thickness of blade (mm/inch)	Rough minimum cutting height (mm/inch)	Code	Part name	Remarks	
1.0/0.039	2.5/0.098	K2511000490	1 Bed knife (bottom blade) 22	For green	
		K2511000510	1 Bed knife (bottom blade) 22-44.5		Off set 2.5 mm
1.5/0.059	3.0/0.118	K2511000270	1.5 Bed knife (bottom blade) 55G	For green	
		K2510000320 (*)	1.5 Bed knife (bottom blade) 22		
		K2511000390	1.5 Bed knife (bottom blade) 55G-47		Off set 5 mm
		LM55GD-9085A0	1.5 Bed knife (bottom blade) 55G-44.5		Off set 2.5 mm
2.0/0.079	3.5/0.138	K2511000280	2 Bed knife (bottom blade) 55G	For green	
		K2511000350	2 Bed knife (bottom blade) 55G-47		Off set 5 mm
		K2511000450	2 Bed knife (bottom blade) 56G-44.5		Off set 2.5 mm
2.5/0.098	4.0/0.157	K2511000050	2.5 Bed knife (bottom blade) 55G	For green	
		K2511000240	2.5 Bed knife (bottom blade) 55G-47		Off set 5 mm
3.0/0.118	4.5/0.177	K2510000060	3 Bed knife (bottom blade) 62.5-559	For teeing ground/For field	

\* : STD for GB

# Handling Instructions



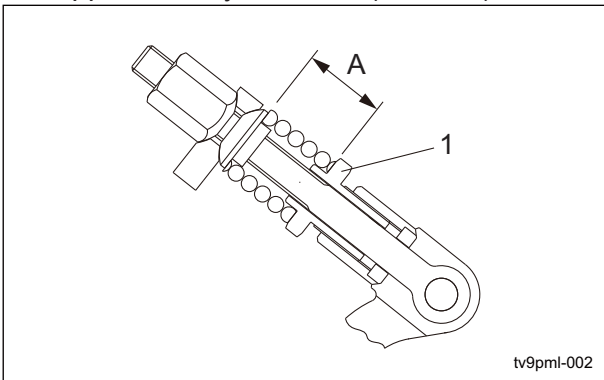
Cutting Height and Blade Thickness of Bed Knife (Bottom Blade)\_001

1	Bed knife (bottom blade)
2	Thickness of blade

## Adjustment of Cutter Adjustment Spring

If the diameter of the reel cutter (cutting cylinder) becomes smaller, adjust the cutter adjustment spring.

1. Adjust the blade engagement.
2. Loosen the pipe with cutter adjusting screw, and then adjust the length of the spring coil to approximately 30.0 mm (1.181 in).



Adjustment of Cutter Adjustment Spring\_001

1	Pipe with cutter adjusting screw
A	30.0 mm (1.181 in)

## Procedure to Start/Stop Engine

### Start/Stop of Engine

#### Procedure to Start Engine

#### Caution

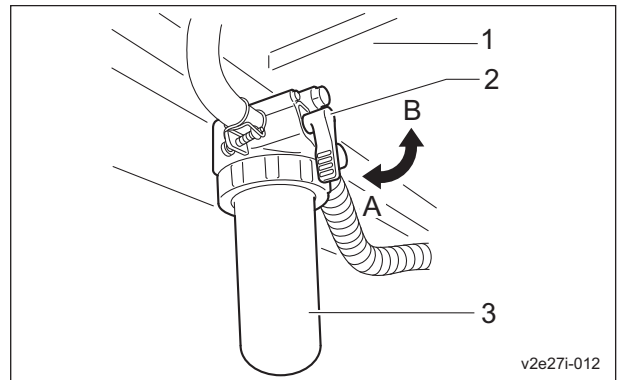
Before starting the engine, make sure that there are no other people or obstacles around the machine.

#### Important

Starter operation must take 15 seconds or less.

If the engine does not start, stop using the battery for 30 to 60 seconds to avoid exhausting the battery.

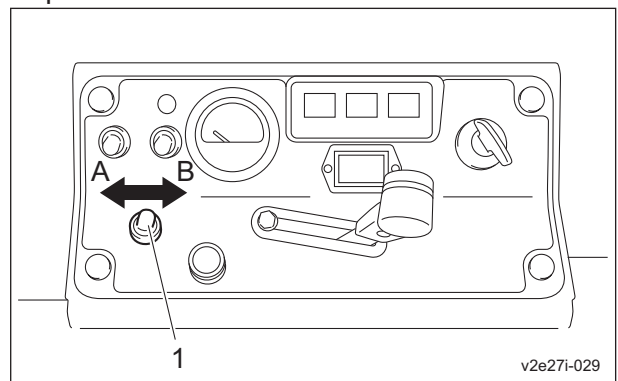
1. Open the fuel cock.  
The fuel cock is located beneath the fuel tank.



Procedure to Start Engine\_001

1	Fuel tank
2	Fuel cock
3	Fuel filter
A	ON (open)
B	OFF (closed)

2. Sit on the seat.
3. Make sure that the parking brake is applied.
4. Set the reel rotation switch to the "Stop" position.



Procedure to Start Engine\_002

1	Reel rotation switch
A	Rotate
B	Stop

5. Make sure that the traveling pedal is in the neutral position.

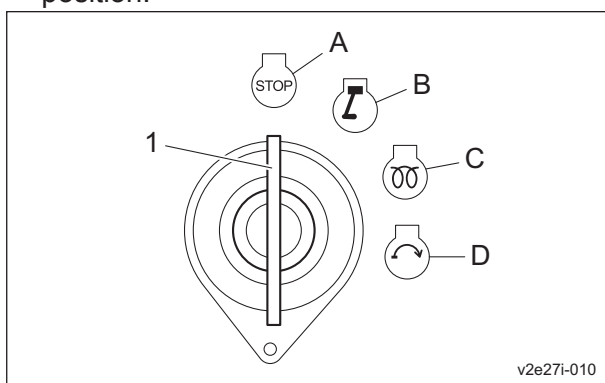
# Handling Instructions

6. Shift the throttle lever halfway from the "Low speed" to the "High speed" position.

### Important

The thermo-start lamp turns off at the specified time. However, the lamp turning off is not related to the glow plug generating heat. If the ignition key is left in the "GLOW" position after the lamp is turned off, the plug will still generate heat. The lamp will stay illuminated for five seconds.

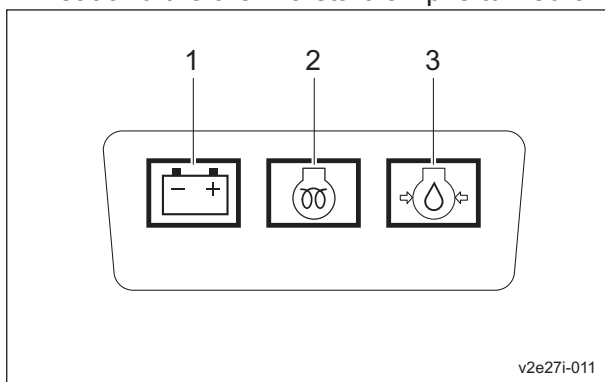
7. Switch the ignition key to the "GLOW" position.



Procedure to Start Engine\_003

1	Ignition key
A	OFF
B	ON
C	GLOW
D	START

8. Make sure that the glow plug is generating heat and the thermo-start lamp is turned on.



Procedure to Start Engine\_004

1	Charge lamp
2	Thermo-start lamp
3	Oil pressure lamp

### Important

Quickly returning the ignition key from the "START" position to the "ON" position may result in damage to the machine.

- After the thermo-start lamp turns off, immediately set the ignition key to the "START" position.
- When the starter starts rotating and the engine starts, slowly return the ignition key to the "ON" position.
- Make sure that the charge lamp and engine oil pressure lamp turn off. If they do not turn off, stop the engine and inspect the machine.
- Shift the throttle lever to the "Low speed" position, and then warm up the engine for 1-2 minutes.
- Gradually move the throttle lever to the "High speed" position.

### Procedure to Stop Engine

- Set the traveling pedal to the neutral position.
- Apply the parking brake.
- Set the reel rotation switch to the "Stop" position.
- Shift the throttle lever to the "Low speed" position, and then warm up the engine for 1-2 minutes.
- Lower all the mower units to the ground.
- Switch the ignition key to the "OFF" position.
- Make sure that the engine has stopped.
- Remove the ignition key.
- Leave the driver's seat.
- Close the fuel cock.  
The fuel cock is located beneath the fuel tank.

# Handling Instructions

## Safety Mechanisms

This machine features a safety device for starting/stopping the engine.

- As for starting the engine, the safety device prevents the engine from starting unless it meets each of the following four conditions.
  - An operator is sitting on the seat.
  - The parking brake is applied.
  - The reel rotation switch is set to the "Stop" position.
  - The traveling pedal is set to the neutral position.
- The safety device will be activated and will stop the engine under any of the following conditions:
  - The operator leaves the seat without applying the parking brake.
  - The operator leaves the seat while the reel cutter (cutting cylinder) is positively rotating.
  - The traveling pedal is operated after the parking brake is applied and the operator leaves the seat.

## Warning Mechanisms

This machine features warning mechanisms on overheating, hydraulic oil level and preventing traveling while the parking brake is applied.

- If water temperature inside the engine exceeds 105 degrees Celsius, a buzzer will sound. (intermittent tone)
- If the oil level in the hydraulic tank declines from the specified level by approximately 1.2 dm<sup>3</sup> (1.2 L), a buzzer will sound. (intermittent tone)
- If the traveling pedal is depressed while the parking brake is applied, a buzzer will sound. (intermittent tone)

## Operation Method

### Cautions for when You Leave The Machine

#### Caution

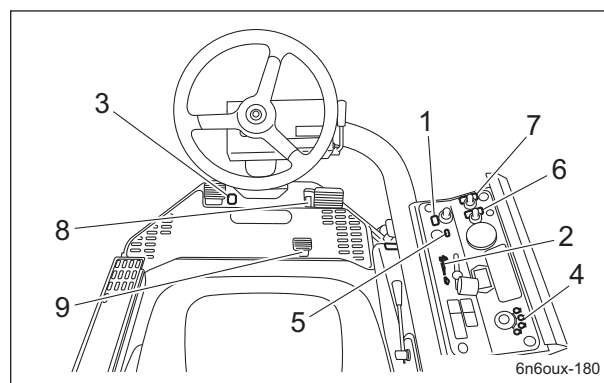
If the brakes are not sufficiently effective, use the wheel stoppers to secure the machine.

#### Caution

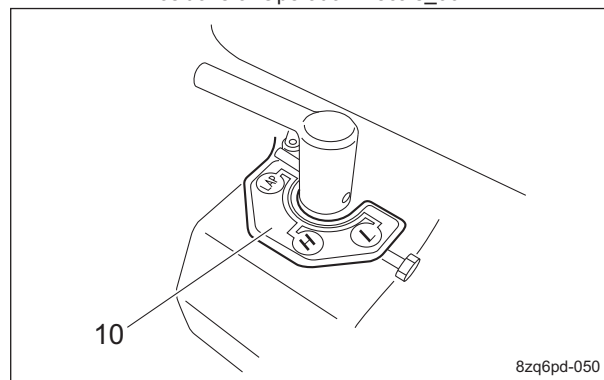
Never park the machine on a slope.

- Park the machine on level ground.
- Apply the parking brake.
- Stop the engine.
- Remove the ignition key.
- Leave the machine.

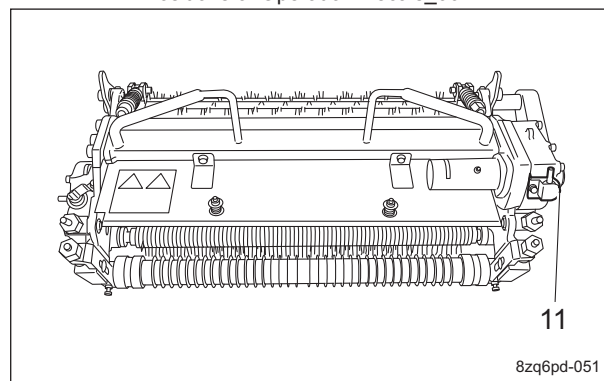
## Positions of Operation Decals



Positions of Operation Decals\_001



Positions of Operation Decals\_002



Positions of Operation Decals\_003



# Handling Instructions

1	Reel rotation/stop mark
2	Engine rotation mark
3	Mower unit Up/Down decal
4	Key switch mark
5	Mower unit up-switch (with reel excess discharge system) mark
6	2WD/3WD changeover decal
7	Light switch decal
8	FORWARD Decal
9	BACKWARD Decal
10	Position decal
11	Mower unit reel rotation changeover decal

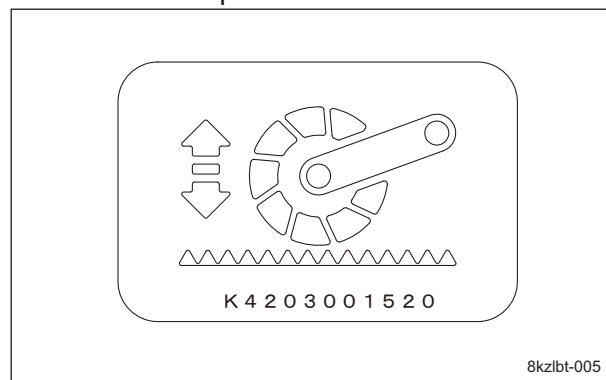
1	Low speed
2	High speed

## Mower Unit Up/Down Decal

K4203001520

Decal, lifting units

This indicates up-down of the mower unit.



Mower Unit Up/Down Decal\_001

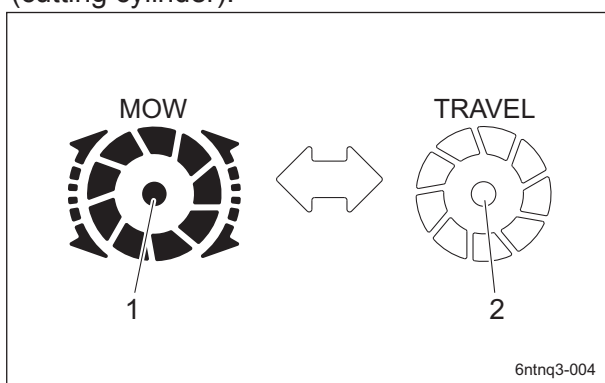
8kzlb-005

## Description of Operation Decals

### Reel Rotation/Stop Mark

Reel rotation/stop mark

It illustrates Rotation/Stop of the reel cutter (cutting cylinder).



Reel Rotation/Stop Mark\_001

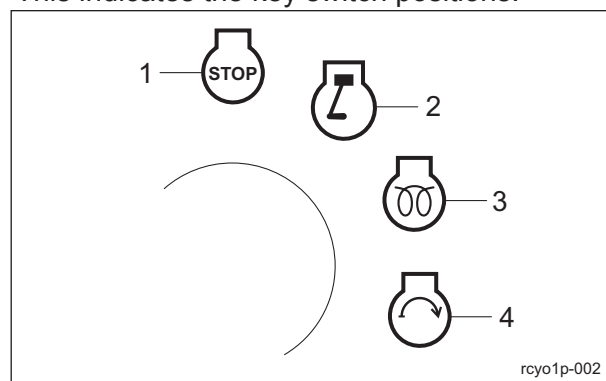
1	Rotation
2	Stop

6ntnq3-004

### Key Switch Mark

Key switch mark

This indicates the key switch positions.



Key Switch Mark\_001

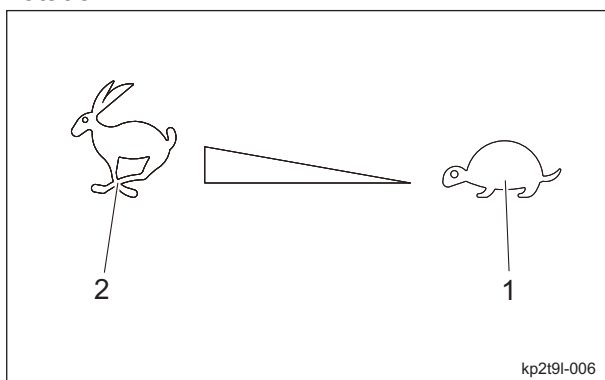
1	OFF
2	ON
3	GLOW
4	START

rcyo1p-002

### Engine Rotation Mark

Engine rotation mark

This indicates low/high speed of engine rotation.



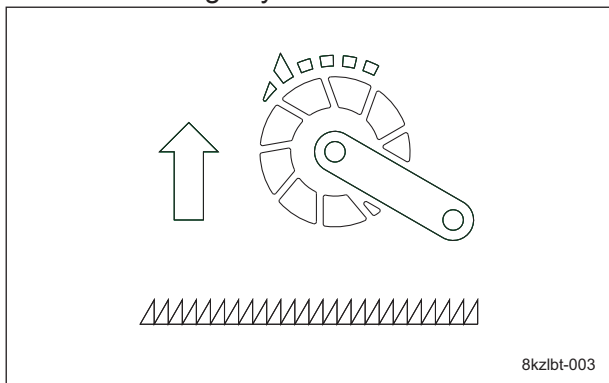
Engine Rotation Mark\_001

kp2t9l-006

# Handling Instructions

## Mower Unit Up-Switch (with Reel Excess Discharge System) Mark

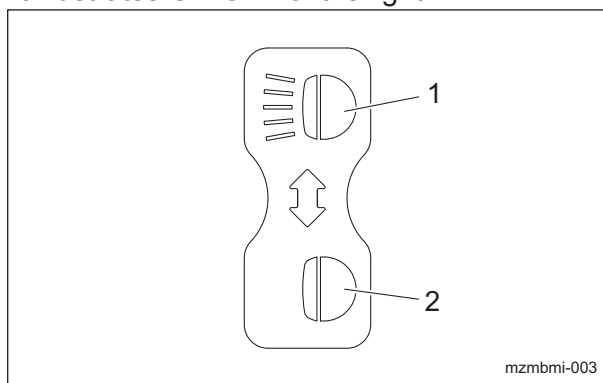
Mower unit up-switch (with reel excess discharge system) mark  
 This indicates mower unit up-switch and reel excess discharge system.



Mower Unit Up-Switch (with Reel Excess Discharge System) Mark\_001

## Light Switch Mark

Note:  
 Depending on the specifications, this function may not be available.  
 K4203001610  
 DECAL, LIGHT SWITCH  
 It illustrates ON/OFF of the light.

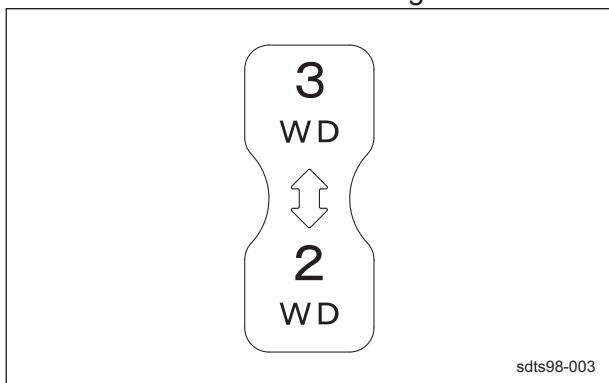


Light Switch Mark\_001

1	ON
2	OFF

## 2WD/3WD Changeover Decal

Note:  
 Depending on the specifications, this function may not be available.  
 K4203001620  
 Decal, shifting 2WD/3WD  
 This indicates 2WD/3WD changeover.



2WD/3WD Changeover Decal\_001

## FORWARD Decal

K4203001430  
 Decal, FORWARD  
 This indicates forward travel.



FORWARD Decal\_001

# Handling Instructions

## BACKWARD Decal

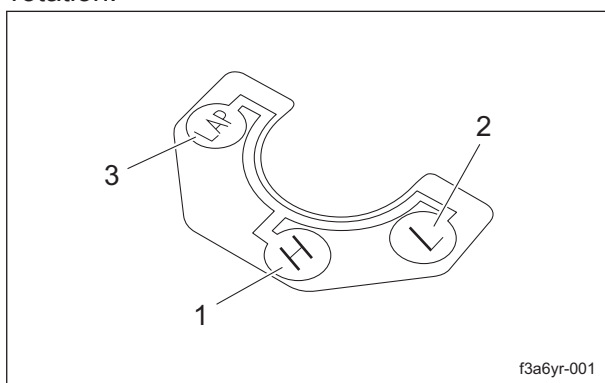
K4203001440  
Decal, BACKWARD  
This indicates backward travel.



BACKWARD Decal\_001

## Position Decal

LM315GC1418Z0  
Decal, position  
This indicates changeover of High/Low speed of reel cutter rotation and back lapping rotation.

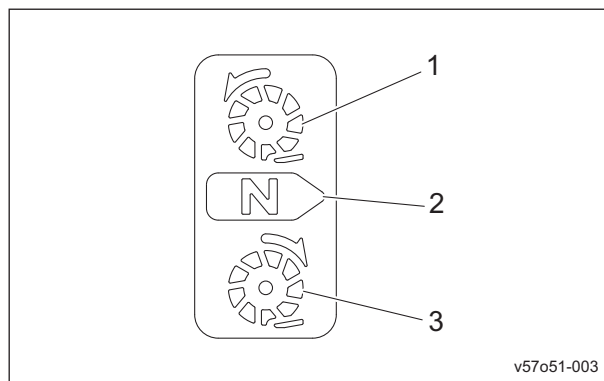


Position Decal\_001

1	High speed
2	Low speed
3	Back lapping

## Mower Unit Reel Rotation Changeover Decal

K4203001550  
Sticker, rotating direction  
This indicates changeover of normal rotation, neutral and reverse rotation of mower unit reel cutter.

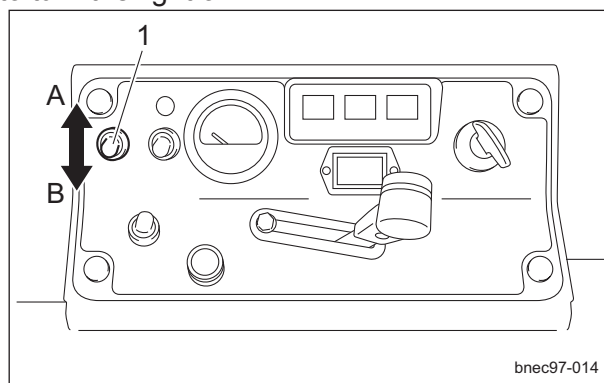


Mower Unit Reel Rotation Changeover Decal\_001

1	Normal rotation (cutting rotation)
2	Neutral
3	Reverse rotation (back lapping rotation)

## Light Switch

Note:  
Depending on the specifications, this function may not be available.  
The light switch is located in the operation panel.  
Flip the switch up to turn the light on, and down to turn the light off.



Light Switch\_001

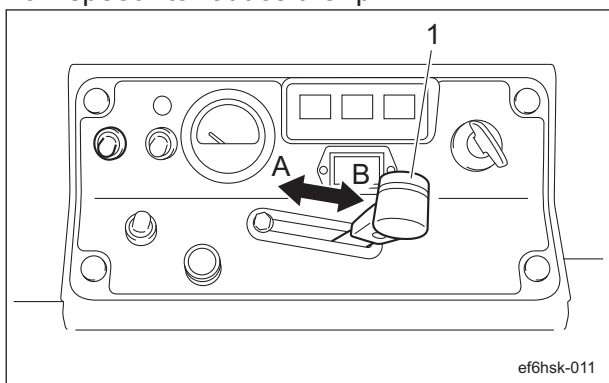
1	Light switch
A	ON
B	OFF

# Handling Instructions

## Throttle Lever

The throttle lever is located in the operation panel and enables you to adjust the engine rpm.

Move the throttle lever toward the "High speed" to increase the engine rpm, and toward the "Low speed" to reduce the rpm.



Throttle Lever\_001

1	Throttle lever
A	High speed
B	Low speed

## Mower Pedal

### ⚠ Caution

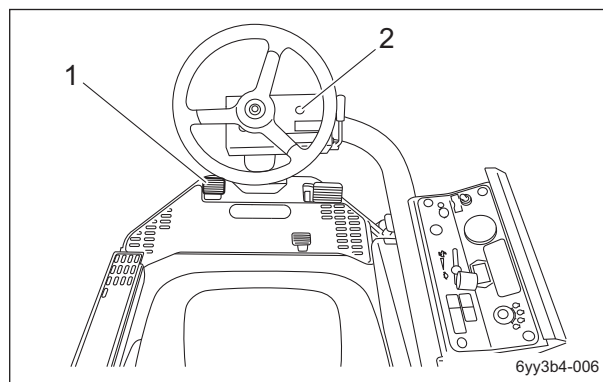
Do not keep depressing the mower pedal after an operation. It may cause malfunction.

### Important

Even if the reel rotation switch is set to the "Rotation" position, when the mower units are raised, the reel cutters (cutting cylinders) stop rotating.

### Important

Operation of the mower pedal cannot raise the mower units to the highest position. When traveling, keep pressing the up switch to raise the mower units to the highest position.



Mower Pedal\_001

1	Mower pedal
2	Green LED

The mower pedal is located on the left of the foot area in front of the driver's seat. Depressing the pedal switches the mower units between the up and down positions. When it is switched to the down position, the green LED on the steering column lights up. The Up/Down speed of the mower unit is affected by the engine rotation speed. When the engine rotation is at low speed, the Up/Down speed is at low as well.

# Handling Instructions

## Joystick

Note:

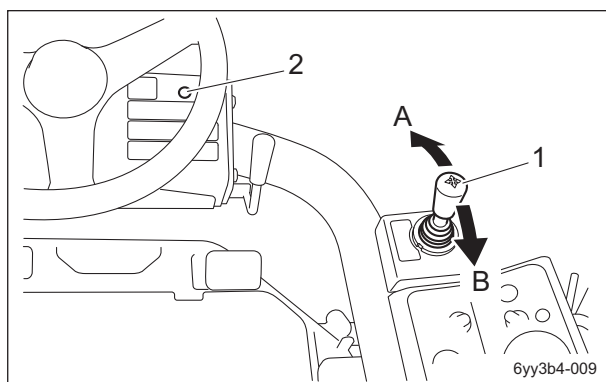
Depending on the specifications, this function may not be available.

### Important

Even if the reel rotation switch is set to the "Rotation" position, when the mower units are raised, the reel cutters (cutting cylinders) stop rotating.

### Important

Operation of the joystick cannot raise the mower units to the highest position. When traveling, keep pressing the up switch to raise the mower units to the highest position.



Joystick\_001

1	Joystick
2	Green LED lamp
A	Down
B	Up

Tilting the joystick back and forth switches the mower units between the up and down positions.

Only while the joystick tilted to the "Down" position, the green LED on the steering column lights up.

The Up/Down speed of the mower unit is affected by the engine rotation speed. When the engine rotation is at low speed, the Up/Down speed is at low as well.

## Mower Unit Up Switch

Up Switch (with Reel Excess Discharge System)

### Warning

The reel cutter rotates while holding down the up switch when the reel rotation switch is set to the "Rotation" position. Set the reel rotation switch to the "Stop" position except during mowing or backlapping and using reel excess discharge system.

### Warning

The reel cutter rotates when using reel excess discharge system. Keep hands and feet away from moving parts.

### Caution

Before using reel excess discharge system, make sure that there are no people around the machine.

### Important

Do not press the up switch when the mower unit is at lowered position. Otherwise, the harness will get damaged.

### Important

The reel cutter keeps rotating even if the mower unit raised to the highest position while holding down the up-switch.

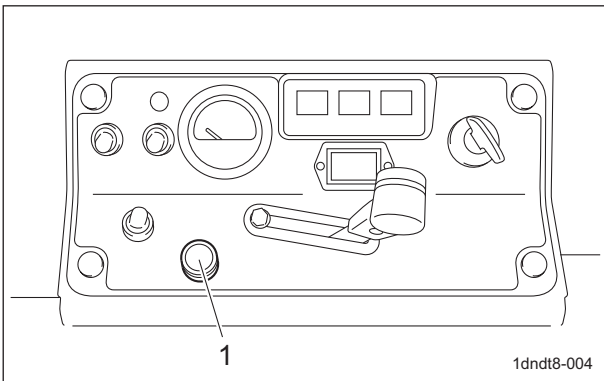
#### Up Switch

The up switch is located in the operation panel.

If the height of the mower unit is not sufficient for traveling etc, set the reel rotation switch to the "Stop" position and keep pressing the up switch to operate the magnetic valve to raise the mower unit to the highest position.

# Handling Instructions

- Reel excess discharge system  
 Reel excess discharge system is the function to remove clippings inside the reel cutter by rotating the reel cutter with the up switch on the condition that the mower unit raised and the reel rotation switch set to the "Rotation" position.  
 With this function, falling of lumps of clippings can be prevented during mowing operation and the time of washing the vehicle can be shortened.



Up Switch (with Reel Excess Discharge System)\_001

1	Up Switch(with reel excess discharge system)
---	--

## 2WD/3WD Selector Switch

**Caution**

In case of 2WD/3WD model, travel in 2WD mode since it is dangerous to travel on steep downward slopes, wet road surface or downward slopes of wet lawn in 3WD mode. Rear tire going into a skid may cause loss of traveling control.

**Important**

When the reel rotation switch is set to the "Rotation" position, regardless of the position of the 2WD/3WD selector switch, 3WD is selected.  
 When the traveling mode is switched to 3WD, the red LED in front of the 2WD/3WD selector switch lights up.

**Important**

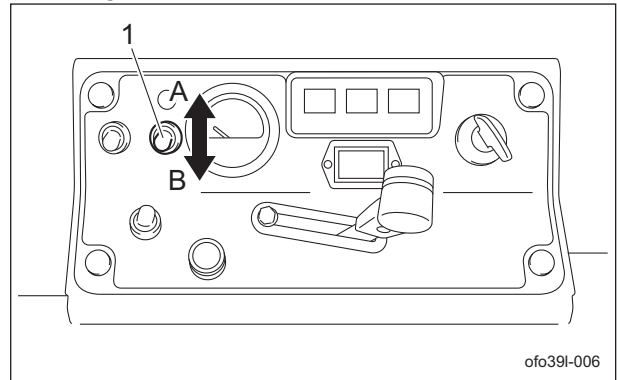
When switching between 2WD and 3WD operation, make sure to stop the machine completely. Otherwise, the hydraulic system will malfunction.

**Note:**

Depending on the specifications, this function may not be available.  
 The 2WD/3WD selector switch is located in the operation panel.

Flip the switch to the "2WD" position to select 2WD mode, and flip it to the "3WD" position to select 3WD mode.

When the traveling mode is switched to 3WD, the red LED above the 2WD/3WD selector switch lights up.



2WD/3WD Selector Switch\_001

1	2WD/3WD selector switch
A	3WD
B	2WD

# Handling Instructions

## Reel Rotation Switch

**Warning**

The reel cutter rotates while holding down the up switch when the reel rotation switch is set to the "Rotation" position.  
Set the reel rotation switch to the "Stop" position except during mowing or backlapping and using reel excess discharge system.

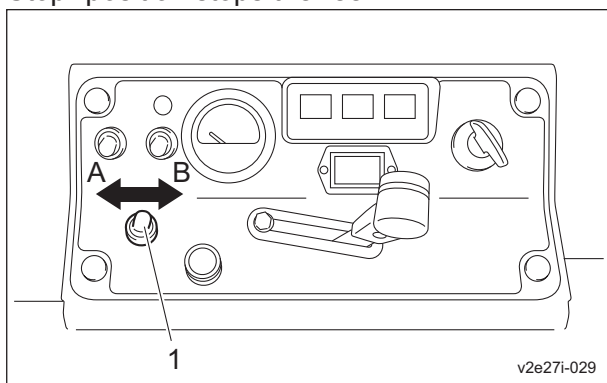
**Caution**

In case of 2WD/3WD model, travel in 2WD mode since it is dangerous to travel on steep downward slopes, wet road surface or downward slopes of wet lawn in 3WD mode. Rear tire going into a skid may cause loss of traveling control.

**Important**

In case of 2WD/3WD model, whenever the reel rotation switch is set to the "Rotation" position, the drive mode is put into 3WD regardless of the position of the 2WD/3WD selector switch.

The reel rotation switch is located in the operation panel. Setting the switch to the "Rotation" position rotates the reel, and to the "Stop" position stops the reel.



Reel Rotation Switch\_001

1	Reel rotation switch
A	Rotate
B	Stop

When the reel rotation switch is set to the "Rotation" position, the reel cutters (cutting cylinders) will rotate or stop in sync with the up and down motion of the mower units. When the mower units are lowered, the reel cutters (cutting cylinders) rotate, and when the mower units are raised, they stop.

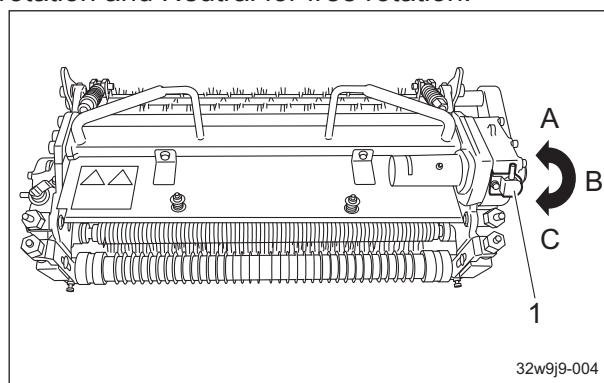
1. When the mower units are lowered, the sensor activates the electromagnetic clutch, and the reel cutters (cutting cylinders) start rotating by means of the flexible wire.
2. When the mower units are raised, even if the reel rotation switch is set to the "Rotation" position, the sensor does not activate the electromagnetic clutch, and the reel cutters (cutting cylinders) do not rotate.

## Reel Reverse Lever

**Important**

Operate the reel reverse lever while the rotation of the reel cutter (cutting cylinder) is stopped, and adjust it to the position suitable for your work.

The reel reverse lever is located at the upper part of the gear case of the mower unit. If you set the lever to Normal, it starts cutting rotation, set to Reverse for back lapping rotation and Neutral for free rotation.



Reel Reverse Lever\_001

1	Reel reverse lever
A	Normal rotation
B	Neutral
C	Reverse rotation

# Handling Instructions

## Transmission Selector Lever

**Caution**

Be sure to stop the engine before and during shifting the transmission selector. Otherwise, your hands may get caught in the belt.

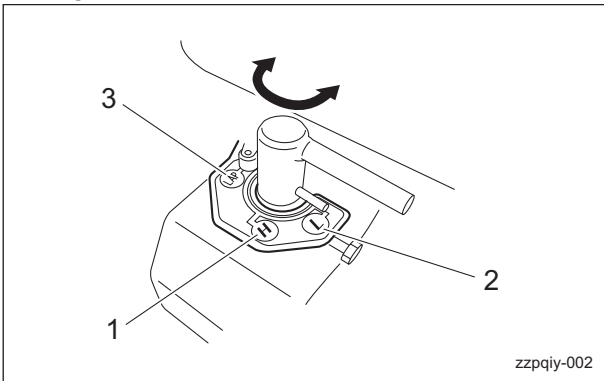
**Caution**

The transmission selector lever should be operated while the engine rotation is stopped, and adjusted to the position suitable for your work.

**Important**

For the LM315GC (for fields), normally cut with the lever set to the "Low speed" position.

The transmission selector lever is located at the upper part of the transmission, behind the driver's seat. When the lever is shifted to the "High speed" position the reel cutters (cutting cylinders) rotate fast; on "Low speed" they rotate slowly; on "Back lapping" they rotate more slowly, at a suitable speed for back lapping.



Transmission Selector Lever\_001

1	High speed
2	Low speed
3	Back lapping

**1. High speed (H)**

The reel cutters (cutting cylinders) rotate faster, and the clip pitch (cutting interval) becomes shorter.

This is suitable for the work at a good turf condition.

**2. Low speed (L)**

The reel cutter (cutting cylinder) rotates slower compared to when it is at the "High speed" position and the clip pitch becomes longer.

This is suitable for the work at the turf condition not so good.

**3. Back lapping (LAP)**

The reel cutter (cutting cylinder) rotates in a speed suitable for the back lapping and its maintainability increases. (The rotation direction is not changed, so use the reel reverse lever of the mower unit to reverse the rotation).

## Traveling Pedal

**Caution**

When the machine is traveling at a high speed, it will not stop immediately after you take your foot off the traveling pedal.

**Important**

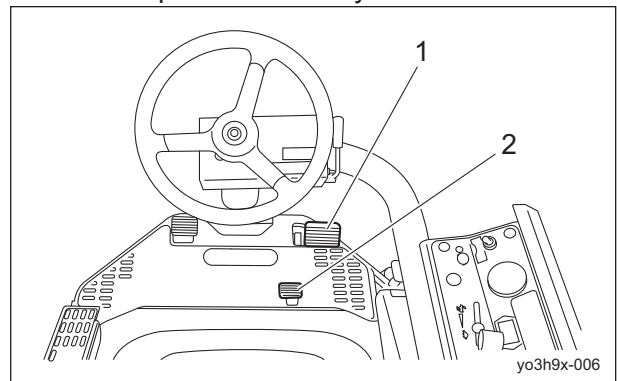
When the reel rotation switch is turned to the "Rotation" position the working speed is limited by the pedal stopper.

The traveling pedals are located in the right foot area and control forward and reverse operation of the machine.

When the forward pedal (front side) is depressed, the machine travels forward. When the reverse pedal (rear side) is depressed, the machine travels backward.

The speed changes in accordance with how much the pedal is depressed.

When you take your foot off the pedal, the machine stops automatically.



Traveling Pedal\_001



# Handling Instructions

1	Forward pedal
2	Reverse pedal

## Parking Brake Lever

**Caution**

Never park the machine on a slope.

**Important**

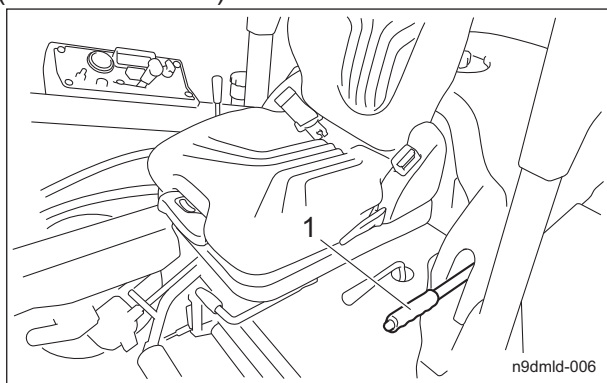
Be sure to release the parking brake before driving. Otherwise, it will cause the malfunction of the brake or hydraulic system.

The parking brake lever is located at the left of the driver's seat.

To park the machine, pull the parking brake lever completely.

To release the parking brake, press the push button while lowering the parking brake lever all the way to its resting position.

If the traveling pedal is depressed while the parking brake is applied, a buzzer will sound. (intermittent tone)



Parking Brake Lever\_001

1	Parking brake lever
---	---------------------

## Hood

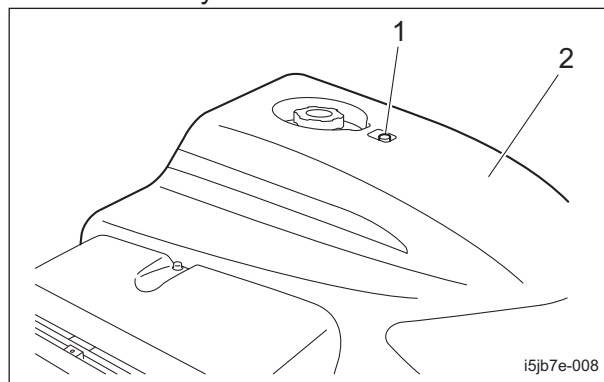
**Caution**

Do not open the hood in strong winds.

**Caution**

Be careful not to pinch your fingers when you open or close the hood.

1. Remove the bolt.
2. Lift up the hood.
3. Make sure that the hood will not close, and then remove your hands.



Hood\_001

1	Bolt
2	Hood

4. When closing the hood, do the operation slowly.
5. Press the hood lightly and lock it with the bolt.

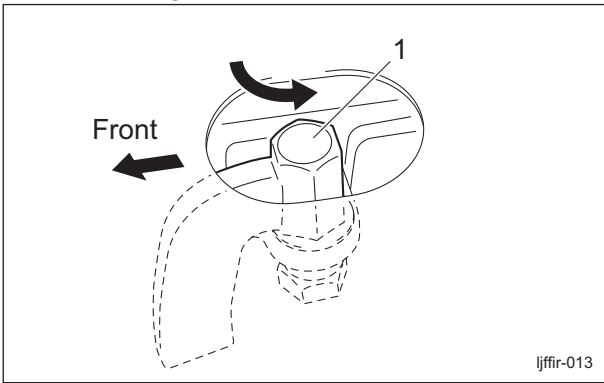
# Handling Instructions

## Underseat Cover

**⚠ Caution**

Be careful not to pinch your fingers when you open or close the underseat cover.

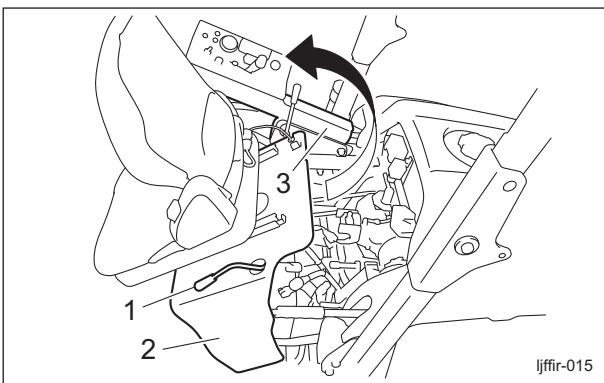
1. Remove the grass catcher located at the center.  
"Removing Grass Catcher" (Page 4-44)
2. Adjust the steering wheel arm to the lowest position.  
"Adjustment of Steering Wheel" (Page 4-19)
3. Slide the seat forward and rotate the lock lever 90 degrees anticlockwise.



Underseat Cover\_001

1	Lock lever
---	------------

4. Pull up the forward tilt angle adjustment lever and lift up the underseat cover together with the seat.

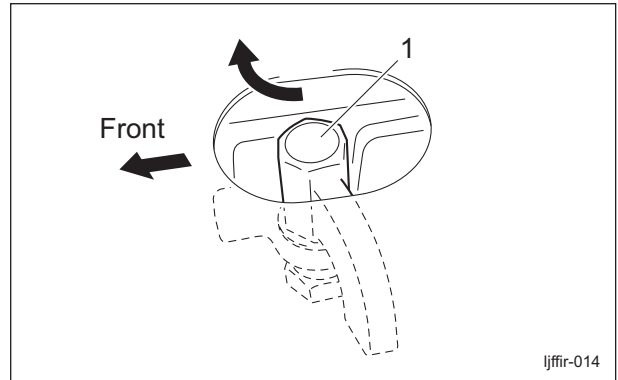


Underseat Cover\_002

1	Forward tilt angle adjustment lever
2	Underseat cover
3	Steering wheel arm

5. When closing the underseat cover, do it slowly and be sure to use the forward tilt angle adjustment lever to fix it securely.

6. Rotate the lock lever 90 degrees clockwise to fix the underseat cover.



Underseat Cover\_003

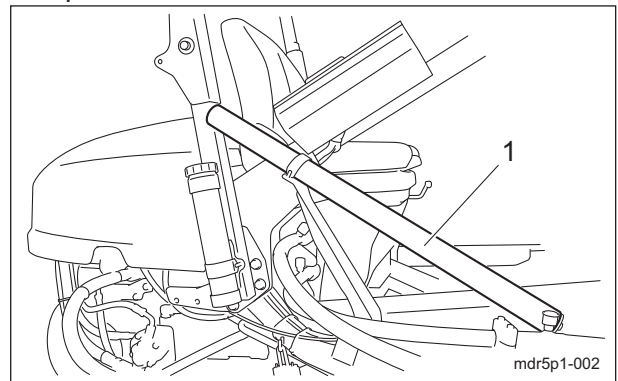
1	Lock lever
---	------------

## Broom Holder

**Note:**

Depending on the specifications, this function may not be available.

Broom can be stored in this holder for transport.



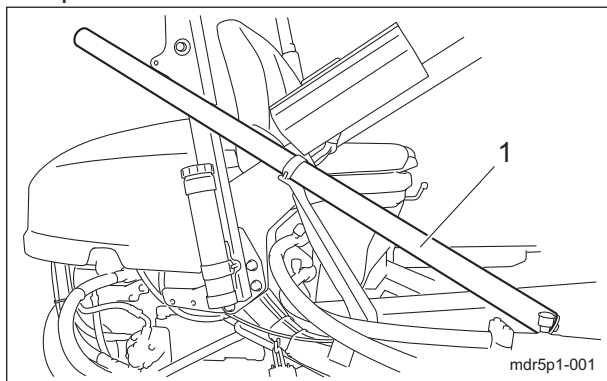
Broom Holder\_001

1	Broom holder
---	--------------

# Handling Instructions

## Swisher Holder

Note:  
Depending on the specifications, this function may not be available.  
Swisher pole can be stored in this holder for transport.

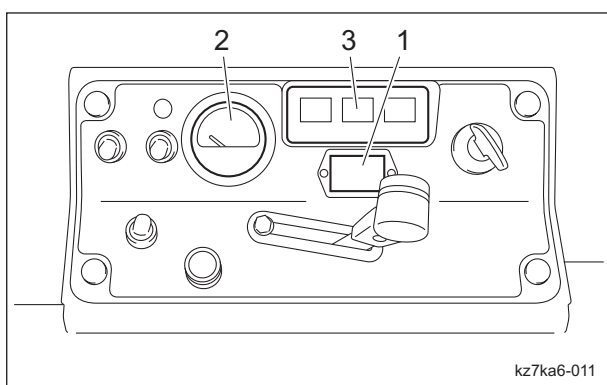


Swisher Holder\_001

1	Swisher holder
---	----------------

## Instruments

### Instruments on The Operation Panel

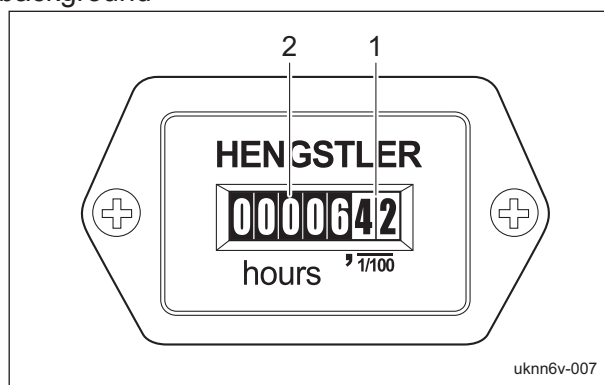


Instruments on The Operation Panel\_001

1	Hour meter
2	Water temperature gauge
3	Pilot lamp

## Hour Meter

The hour meter indicates the accumulated operation time of the engine.  
The number in red figures on a white background is incremented every thirty-six seconds.  
The number in white figures on a black background is incremented every hour.  
1/100 wheel ... red figures on a white background  
Hour wheel ... white figures on a black background



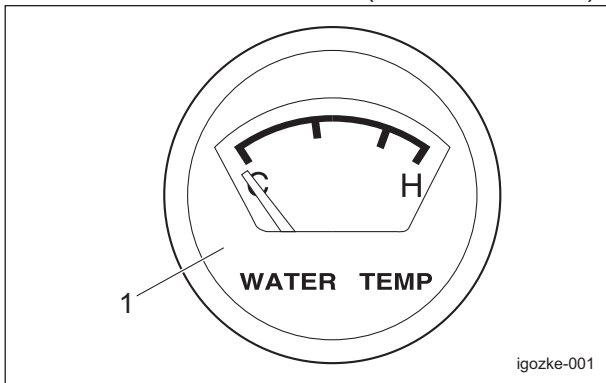
Hour Meter\_001

1	1/100 wheel
2	Hour wheel

# Handling Instructions

## Water Temperature Gauge

The water temperature gauge is located in the operation panel.  
 This instrument indicates the water temperature inside the engine.  
 If the water temperature gauge indicates a level close to "H" during operation, the machine is overheated.  
 Remove the load from the engine, idle the machine for five minutes, stop the engine, and then inspect the machine and perform any necessary maintenance.  
 If the water temperature exceeds 105 degrees Celsius, a buzzer will sound. (Intermittent tone)



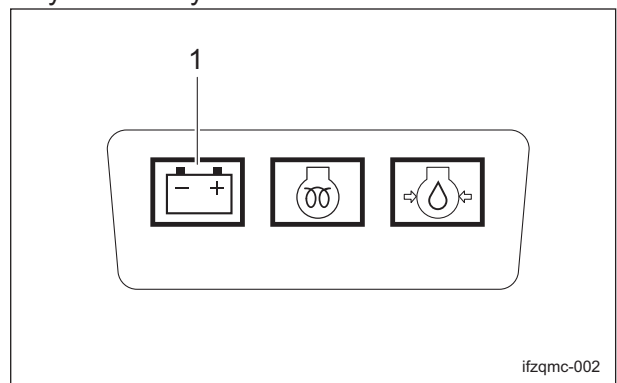
Water Temperature Gauge\_001

1	Water temperature gauge
---	-------------------------

## Pilot Lamps

### Charge Lamp

The charge lamp is the left pilot lamp located in the operation panel.  
 It turns on when the ignition key is set to the "ON" position before the engine starts. It turns off when the engine starts and the alternator starts operating properly.  
 If this lamp illuminates while you are operating the machine, stop the engine immediately, and then inspect the machine and perform any necessary maintenance.

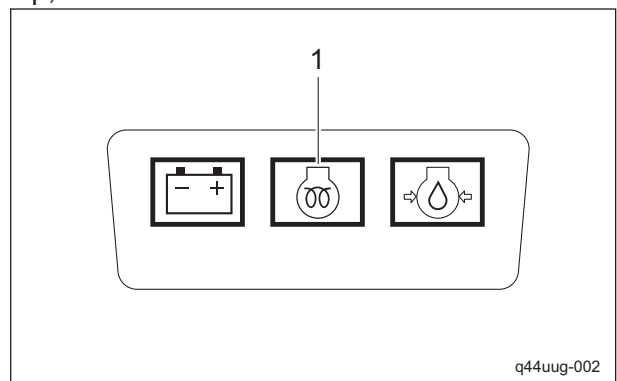


Charge Lamp\_001

1	Charge lamp
---	-------------

### Thermo-Start Lamp

The thermo-start lamp is the middle pilot lamp located in the operation panel.  
 When the ignition key is set to the "GLOW" position, it illuminates as the glow plug generates heat.  
 Illumination of the thermo-start lamp is controlled by the glow lamp timer, and the lamp is turned off after a specified amount of time passes.  
 The duration of illumination indicates an approximate period of time required for warm-up, and has been fixed at five seconds.

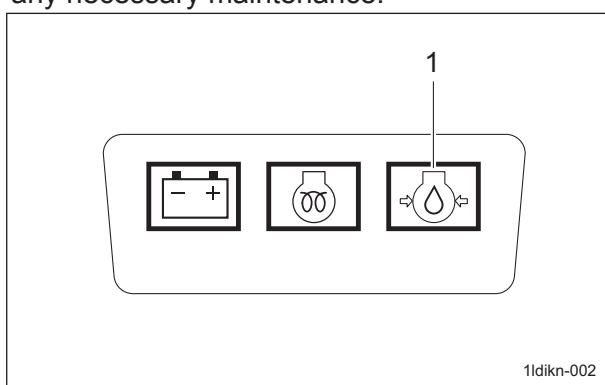


Thermo-Start Lamp\_001

1	Thermo-start lamp
---	-------------------

### Oil Pressure Lamp

The oil pressure lamp is the right pilot lamp located in the operation panel. It turns on when the ignition key is set to the "ON" position before the engine starts. It turns off when the engine starts and engine oil pressure is generated properly. If this lamp illuminates while you are operating the machine, stop the engine immediately, and then inspect the machine and perform any necessary maintenance.

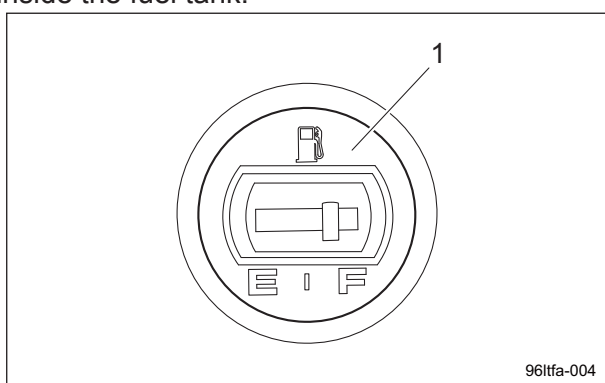


Oil Pressure Lamp\_001

1	Oil pressure lamp
---	-------------------

### Fuel Gauge

The fuel gauge is located on the fuel tank. This instrument indicates the quantity of fuel inside the fuel tank.



Fuel Gauge\_001

1	Fuel gauge
---	------------

## Move

### Traveling Procedure

#### Warning

Set the reel rotation switch to the "Stop" position except during mowing or backlapping and using reel excess discharge system.

#### Caution

Under any circumstances drive the machine at such a speed that you can stop it immediately for emergencies.

#### Caution

In case of 2WD/3WD model, travel in 2WD mode since it is dangerous to travel on steep downward slopes, wet road surface or downward slopes of wet lawn in 3WD mode. Rear tire going into a skid may cause loss of traveling control.

#### Important

In case of 2WD/3WD model, whenever the reel rotation switch is set to the "Rotation" position, the drive mode is put into 3WD regardless of the position of the 2WD/3WD selector switch.

#### Important

Do NOT start to move or stop the machine abruptly. It will damage the hydraulic system or result in oil leakage.

1. Start the engine.  
"Procedure to Start Engine" (Page 4-26)
2. Raise all mower units.
3. While pressing the push button, release the parking brake lever.
4. Slowly depress the traveling pedal.
5. The machine starts traveling.
6. The machine stops slowly when the traveling pedal released.

# Handling Instructions

## Towing The Machine

If the machine does not travel due to engine trouble, etc., you can move it in the following ways:

- Pushing by hand
- Towing (See the following instruction.)

**Caution**

Do not tow on slopes.

**Caution**

Tow the machine at a low speed while paying close attention.

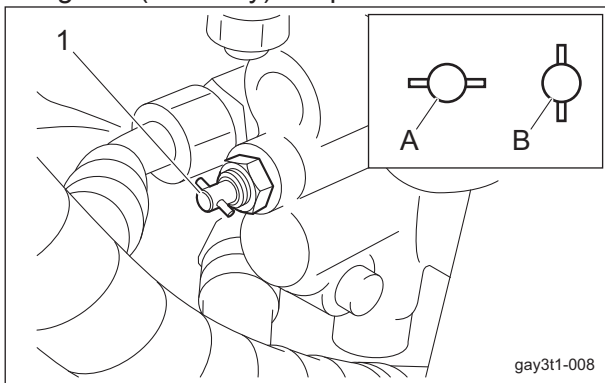
**Important**

Do not touch the unload valve except when towing the machine.

**Important**

Before restarting the engine, be sure to close the unload valve.

1. Stop the engine.  
"Procedure to Stop Engine" (Page 4-27)
2. Apply the parking brake and chock the wheels.
3. The unload valve is located at the lower right of the frame.  
While pressing the unload valve, rotate it 90 degrees (vertically) to open.



Towing The Machine\_001

1	Unload valve
A	Onload
B	Unload

4. While pressing the push button, release the parking brake lever and remove the wheel stopper.

5. Tow the machine slowly.

## Cutting Work

### Cutting Work

**Warning**

Set the reel rotation switch to the "Stop" position except during mowing or backlapping and using reel excess discharge system.

**Caution**

In case of 2WD/3WD model, travel in 2WD mode since it is dangerous to travel on steep downward slopes, wet road surface or downward slopes of wet lawn in 3WD mode. Rear tire going into a skid may cause loss of traveling control.

**Caution**

Be sure to install the grass catchers. Otherwise, flying objects from the mower units may hit your feet.

**Important**

In case of 2WD/3WD model, whenever the reel rotation switch is set to the "Rotation" position, the drive mode is put into 3WD regardless of the position of the 2WD/3WD selector switch.

**Important**

Do NOT start to move or stop the machine abruptly. It will damage the hydraulic system or result in oil leakage.

1. Install the grass catchers.
2. Start the engine.  
"Procedure to Start Engine" (Page 4-26)
3. Raise all mower units.
4. While pressing the push button, release the parking brake lever.
5. Shift the throttle lever to the "High speed" position to run the engine at the maximum speed.
6. Set the reel rotation switch to the "Rotation" position.

# Handling Instructions

7. Start the work following the procedure below.

[1] Depress the traveling pedal.

[2] Depress the mower pedal when the mower unit reaches the collar of the green.

[3] Lower the mower units to start rotating the reel cutters (cutting cylinders).

Note:

During the work, the reel cutters (cutting cylinders) will rotate or stop in sync with the up and down motion of the mower units.

8. Set the reel rotation switch to the "Stop" position after the operation completed.

## Reel Excess Discharge System

### Warning

The reel cutter rotates while holding down the up switch when the reel rotation switch is set to the "Rotation" position.

Set the reel rotation switch to the "Stop" position except during mowing or backlapping and using reel excess discharge system.

### Warning

The reel cutter rotates when using reel excess discharge system.

Keep hands and feet away from moving parts.

### Caution

Before using reel excess discharge system, make sure that there are no people around the machine.

### Important

Do not press the up switch when the mower unit is at lowered position.

Otherwise, the harness will get damaged.

### Important

The reel cutter keeps rotating even if the mower unit raised to the highest position while holding down the up-switch.

· Preventing lumps of clippings from falling onto the green.

Use reel excess discharge system so that the clippings inside the reel cutter can be removed during mowing operation or when discarding clippings.

1. Stop the engine.

2. Brush the clippings accumulated on the bracket.

At the time the clippings comes inside of the reel cutter.

3. Install the grass catchers.

4. Sit on the seat.

5. Start the engine.

6. Raise all mower units.

7. Set the reel rotation switch to the "Rotation" position.

8. Hold down the up switch for about a second.

While holding down the up switch, the reel cutter rotates while the mower unit rising and the clippings inside the reel cutter are removed.

9. Set the reel rotation switch to the "Stop" position after the operation completed.

10. Stop the engine.

· Vehicle wash

When washing the vehicle after mowing operation, the clippings can be removed with the reel excess discharge system.

1. Stop the engine.

2. Set the transmission shift lever to the "LAP" position.

3. Sit on the seat.

4. Start the engine.

5. Raise all mower units.

6. Set the reel rotation switch to the "Rotation" position.

7. Stand on the right side of the machine and hold down the up switch for about 2 to 3 seconds.

While holding down the up switch, the reel cutter rotates while the mower unit rising and the clippings inside the reel cutter are removed.

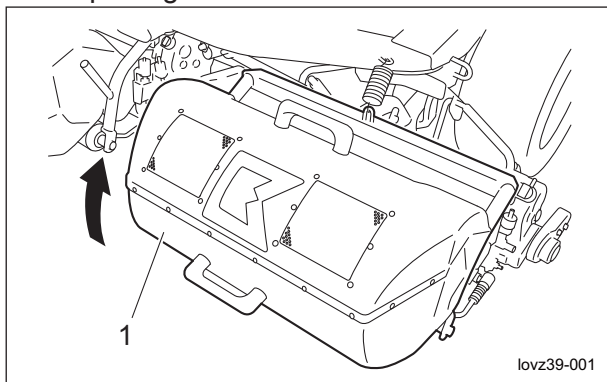
8. Set the reel rotation switch to the "Stop" position after the operation completed.

9. Stop the engine.

# Handling Instructions

## Removing Grass Catcher

1. To discard the collected grasses, set the reel rotation switch to the "Stop" position.
2. Lower the mower unit.
3. Apply the parking brake.
4. Stop the engine.
5. Lift up the grass catcher and remove it.



Removing Grass Catcher\_001

1	Grass catcher
---	---------------

## 7. Mower units

- When storing this machine, lower all the mower units unless a positive mechanical lock is provided.

## 8. Storage location

- Cover the machine and store it in a dry place where it will not be exposed to rain.

## Transporting

### Transporting Procedure

When loading the machine into a trailer or a truck to transport it, drive the machine forward.  
When unloading, drive the machine in reverse.

## Storage

### Before Long-Term Storage

1. Cleaning
  - Remove dirt, grass clippings, oil stains etc. completely from the main vehicle and engine.
2. Replacing oil
  - Inspect and replace the engine oil, hydraulic oil and element.
3. Greasing and lubricating
  - Supply oil and apply grease to appropriate parts.
4. Battery
  - Remove the negative battery wire.
5. Fuel
  - Remove the fuel from the fuel tank.
6. Tire pneumatic pressure
  - Set the tire air pressure slightly higher than normal, and then place the machine on a board to avoid humidity.



<b>Maintenance Precautions .....</b>	<b>Page 5-2</b>
<b>Maintenance Schedule .....</b>	<b>Page 5-2</b>
Adjusted Value .....	Page 5-8
<b>Jacking Up The Machine .....</b>	<b>Page 5-9</b>
About Jacking Up The Machine .....	Page 5-9
Jack-Up Points .....	Page 5-9
<b>Greasing .....</b>	<b>Page 5-10</b>
About Greasing .....	Page 5-10
Greasing Points .....	Page 5-10
<b>Lubrication .....</b>	<b>Page 5-14</b>
About Lubrication .....	Page 5-14
Lubricating Points .....	Page 5-14
<b>Maintenance Work .....</b>	<b>Page 5-16</b>
Back Lapping .....	Page 5-16
Adjusting CAM .....	Page 5-17
Sharpening of Reel Cutter (Cutting Cylinder) .....	Page 5-18
Replacement of Reel Cutter (Cutting Cylinder) .....	Page 5-19
Replacement of Bed Knife (Bottom Blade) .....	Page 5-20
Removing/Installing Tires .....	Page 5-21
Adjustment of Belt Tension .....	Page 5-23
Adjustment of Parking Brake .....	Page 5-24
Adjusting Work Speed .....	Page 5-25
Adjusting The Neutral Position of The Piston Pump .....	Page 5-25
Change of Coolant .....	Page 5-26
Change of Hydraulic Oil .....	Page 5-27
Change of Hydraulic Oil Filter .....	Page 5-28
Change of Air Cleaner .....	Page 5-29
Change of Engine Oil .....	Page 5-29
Replacement of Engine Oil Filter .....	Page 5-30
Replacement of Fuel Filter Element ....	Page 5-31
Grease Change of Transmission .....	Page 5-31
Change of Fuse .....	Page 5-32
Check The Operation Status of The Relay .....	Page 5-33
Removal of Mower Unit .....	Page 5-34

# Maintenance

## Maintenance Precautions

**Warning**

The chapter "Maintenance" in this manual describes practical measures which should be performed by a mechanic with expertise. The owner should instruct the mechanic with expertise to perform maintenance service for this machine.

**Caution**

First, learn well the maintenance operations you plan to perform.

**Important**

Use tools appropriate for each maintenance operation.

**Important**

For the safe and best performance of your machine, use Baroness genuine parts for replacement and accessories. Please note that our product warranty may be void if you use non-genuine parts for replacement or accessories.

Maintain the machine according to the maintenance schedule so that you will be able to take advantage of its optimum performance for a long period of time.

## Maintenance Schedule

LM315GC (Diesel Model)

Follow the maintenance schedule below.

- . . . Inspect, adjust, supply, clean
- . . . Replace (first time)
- △ . . . Replace

Maintenance Item		Before Work	After Work	Every Week	Every 8 hrs.	Every 50 hrs.	Every 100 hrs.	Every 200 hrs.	Every 400 hrs.	Every 500 hrs.	Every 800 hrs.	Every 1500 hrs.	Every 3000 hrs.	every month	every 6 months	Every year	Every 2 years	Every 4 years	When Required	Remarks	
Engine	*1	Check engine oil level	○																		
	*1	Check fuel level	○																		
	*1	Check coolant level	○																		

## Maintenance

Maintenance Item		Before Work	After Work	Every Week	Every 8 hrs.	Every 50 hrs.	Every 100 hrs.	Every 200 hrs.	Every 400 hrs.	Every 500 hrs.	Every 800 hrs.	Every 1500 hrs.	Every 3000 hrs.	every month	every 6 months	Every year	Every 2 years	Every 4 years	When Required	Remarks	
Engine	*1	Open air cleaner evacuator valve to remove dust	○		○															Open valve every week or daily in dusty conditions	
		Clean engine area		○																	
		Clean radiator screen		○																	
		Clean radiator core		○																	
	*1.*5	Check fuel hoses and clamp bands					○														
	*1	Adjust fan belt tension					○	○													50 hours first change, every 100 hours thereafter
	*1	Clean fuel filter					○	○													50 hours first change, every 100 hours thereafter
		Check cooling fan cracks					○	○													50 hours first change, every 100 hours thereafter
	*1	Change engine oil					●	△													50 hours first change, every 100 hours thereafter
	*1	Replace oil filter cartridge					●	△													50 hours first change, every 200 hours thereafter
	*1.*5	Clean air cleaner element (Replace the element after 6-time cleaning)						○									△				Replace every 6 cleanings or every year whichever comes earlier Air cleaner should be cleaned more often in dusty conditions than in normal conditions

# Maintenance

Maintenance Item		Before Work	After Work	Every Week	Every 8 hrs.	Every 50 hrs.	Every 100 hrs.	Every 200 hrs.	Every 400 hrs.	Every 500 hrs.	Every 800 hrs.	Every 1500 hrs.	Every 3000 hrs.	every month	every 6 months	Every year	Every 2 years	Every 4 years	When Required	Remarks	
Engine	*5	Check intake air line (air cleaner hose)						○													
	*1	Check radiator hoses and clamp bands						○							○						Check every 200 hours or 6 months whichever comes earlier
	*1.*5	Replace fuel filter element							△												
		Clean radiator interior															○				
	*1	Replace fan belt								△											
	*4	Check valve clearance									○										
	*4.*5	Check injection nozzle										○									
	*4.*5	Check injection pump											○								
	*1	Change radiator coolant (L.L.C.)																△			
	*1	Replace radiator hoses and clamp bands																△			
	*1.*4.*5	Replace fuel hoses and clamps																△			
	*5	Replace intake air line (air cleaner hose)																△			
	Main vehicle		Check hydraulic oil level	○																	
		Check hydraulic hoses condition (Moving part)	○																		
		Check tire pressures and condition	○																		
		Check V belt	○																		
		Check traveling pedal motion	○																		
		Check brake function	○																		
		Check brake wire	○																		

## Maintenance

Maintenance Item		Before Work	After Work	Every Week	Every 8 hrs.	Every 50 hrs.	Every 100 hrs.	Every 200 hrs.	Every 400 hrs.	Every 500 hrs.	Every 800 hrs.	Every 1500 hrs.	Every 3000 hrs.	every month	every 6 months	Every year	Every 2 years	Every 4 years	When Required	Remarks	
Main vehicle	Check oil or water leaks	○																			
	Check damaged parts	○																			
	Check tightening bolts and nuts	○																			
	Check light illumination	○																			
	Check meters and lamps	○																		By starting the engine	
	Check interlock system safety function	○																			By starting the engine
	Check steering wheel motion (Lock to lock)	○																			By starting the engine
	Clean machine exterior		○																		
	Check electrical wiring condition (Damage, defacement and joint looseness)						○	○													50 hours first check, every 100 hours thereafter
	Check looseness of wheel mounting bolt						○	○													50 hours first check, every 100 hours thereafter
	Grease and Lubricate all moving parts						○														
	*3 Grease and Lubricate flexible wires	○			○	○															Maintenance schedules differ according to greasing points
	Replace hydraulic oil							●		△											100 hours first change, every 500 hours thereafter
	Replace hydraulic oil filter							●		△											100 hours first change, every 500 hours thereafter

# Maintenance

Maintenance Item		Before Work	After Work	Every Week	Every 8 hrs.	Every 50 hrs.	Every 100 hrs.	Every 200 hrs.	Every 400 hrs.	Every 500 hrs.	Every 800 hrs.	Every 1500 hrs.	Every 3000 hrs.	every month	every 6 months	Every year	Every 2 years	Every 4 years	When Required	Remarks	
Main vehicle	*2	Check exterior of battery					○							○						Check every 100 hours or every month whichever comes earlier	
	*2	Clean exterior of battery					○							○						Check every 100 hours or every month whichever comes earlier	
	*2	Check mounting bracket of battery					○							○						Check every 100 hours or every month whichever comes earlier	
	*2	Check looseness and corrosion of battery terminals					○							○						Check every 100 hours or every month whichever comes earlier	
	*2	Check battery fluid level					○							○						Check every 100 hours or every month whichever comes earlier	
		Check hydraulic hoses condition (Fixed part)						○									○				Check every 200 hours or every year whichever comes earlier
	*3	Adjust air gap of EM clutch															○				Air gap 0.2-0.4mm (0.008-0.016in )
		Check aligning shafts of engine and pump																○			Visual check
		Replace transmission grease																△			
		Replace hydraulic hoses (Moving part)																△			
	Replace hydraulic hoses (Fixed part)																	△			

# Maintenance

Maintenance Item		Before Work	After Work	Every Week	Every 8 hrs.	Every 50 hrs.	Every 100 hrs.	Every 200 hrs.	Every 400 hrs.	Every 500 hrs.	Every 800 hrs.	Every 1500 hrs.	Every 3000 hrs.	every month	every 6 months	Every year	Every 2 years	Every 4 years	When Required	Remarks		
Main vehicle	Adjust brakes																			○		
	Replace brake shoe																				△	
	Replace brake cables																				△	
	*2 Replace battery																				△	
Mower unit	Check blade condition (Reel cutter and Bedknife)	○																				
	Check cover condition	○																				
	Check roller condition	○																				
	Check groomer condition	○																				
	Engage blades	○																				
	Check mowing height	○																				
	Adjust groomer	○																				
	Check damaged parts	○																				
	Check tightening bolts and nuts	○																				
	Clean Cutting section		○																			
	Grease				○	○																Maintenance schedules differ according to greasing points
	Replace bearings inside gearcase																△					
	Replace front and rear rollers bearings																△					
	Replace oil seals inside gearcase																△					
	Replace front and rear rollers oil seals																△					
Replace grease inside gearcase																△						

Maintenance

# Maintenance

Maintenance Item		Before Work	After Work	Every Week	Every 8 hrs.	Every 50 hrs.	Every 100 hrs.	Every 200 hrs.	Every 400 hrs.	Every 500 hrs.	Every 800 hrs.	Every 1500 hrs.	Every 3000 hrs.	every month	every 6 months	Every year	Every 2 years	Every 4 years	When Required	Remarks		
Mower unit	*3 Grease reel cutter shaft bearing																			△		
	Replace CR brush bearing																				△	
	Clean and Grease Bedknife Eccentric Bushes																				○	
	Adjust cutter adjustment spring																				○	
	Adjust belt tension of CR brush																				○	
	Backlap blades																				○	
	Regrind blades (Reel cutter)																				○	Grind/Replace blades as and when required

- \*1: Refer to the Engine's Owner's Manual.
- \*2: Refer to the Battery's Owner's Manual.
- \*3: Failed maintenance may largely cause damage to the flexible wires.
- \*4: Consult your local Baroness Dealer or local KUBOTA Dealer for this service.
- The items above (\*5 marked) are registered as emission related critical parts by KUBOTA in the U.S. EPA nonroad emission regulation.  
As the engine owner, you are responsible for the performance of the required maintenance on the engine according to the above instruction.  
Please see the Engine's Warranty Statement in detail.
- The values for consumables are not guaranteed.
- Replace the steering cylinder hoses every 2 years.

## Adjusted Value

Cutter adjustment spring	30.0 mm (1.181 in)	Total length of spring
Fan belt	7.0 - 9.0 mm (0.276 - 0.354 in)	Belt slack
Reel Cutter Drive Belt	13±2 mm (0.51±0.08 in)	Under load of 55.0 N (5.5 kgf)
Transmission input belt	50.0 mm (1.969 in)	Total length of spring



## Jacking Up The Machine

### About Jacking Up The Machine

#### Warning

When replacing a tire or beginning any other maintenance or repairs, be sure to chock the wheels to prevent the machine from moving. Before jacking up the machine, park it on a hard, flat surface such as a concrete floor and remove any obstacles that could prevent you from performing the work safely.

When necessary, use an appropriate chain block, hoist, or jack.

Support the machine securely with jack stands or appropriate blocks.

Failure to do so may cause the machine to move or fall, resulting in injury or death.

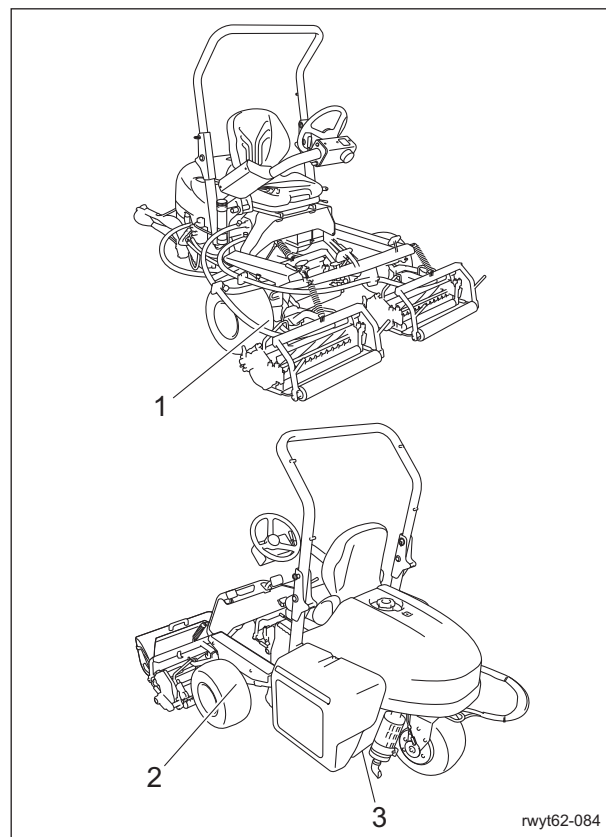
#### Important

Only place a jack under the jack-up points specified.

Placing a jack at any other point will result in damage to the frame or other parts.

Use the jack-up points identified in this manual when jacking up the machine.

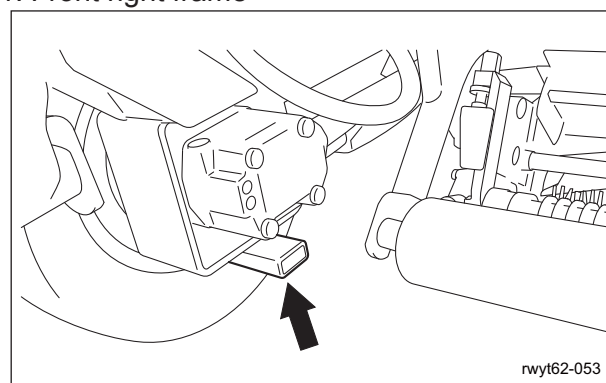
### Jack-Up Points



Jack-Up Points\_001

1	Front right frame
2	Front left frame
3	Engine mount frame

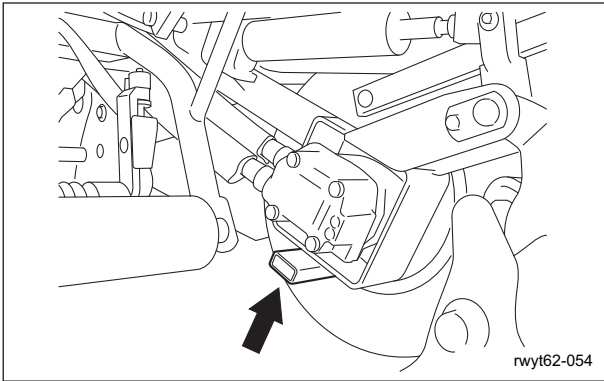
#### 1. Front right frame



Jack-Up Points\_002

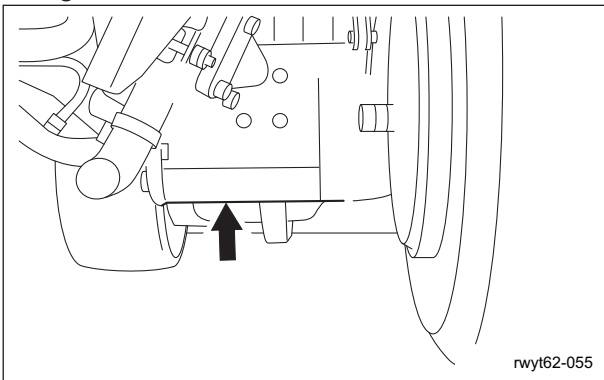
# Maintenance

## 2. Front left frame



Jack-Up Points\_003

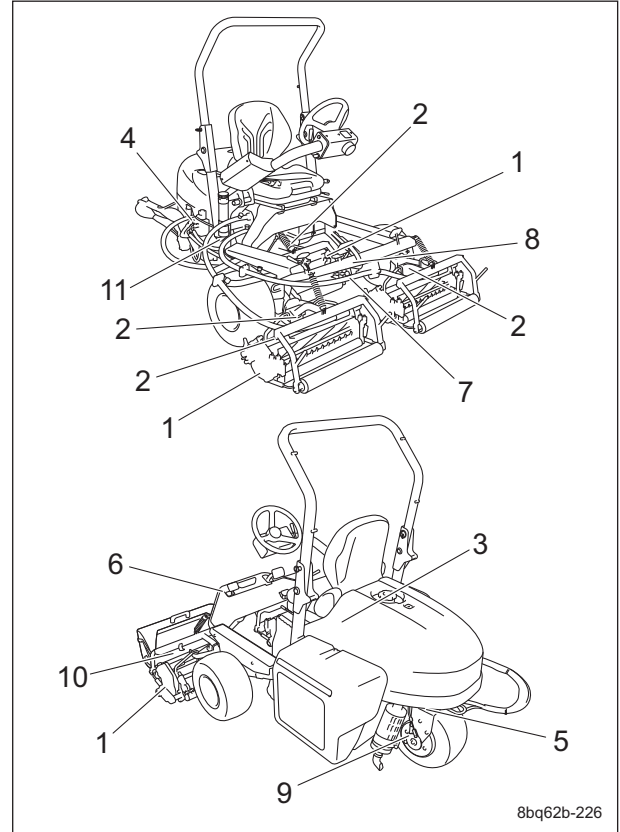
## 3. Engine mount frame



Jack-Up Points\_004

## Greasing Points

Grease nipples are installed in the following locations.



Greasing Points\_001

## Greasing

### About Greasing

Since there may be adhesion or damage due to lack of grease on moving parts, they must be greased.

Add urea-based No. 2 grease in accordance with the Maintenance Schedule.

Other locations where the specified grease or lubricant is used are indicated in "Greasing Points".

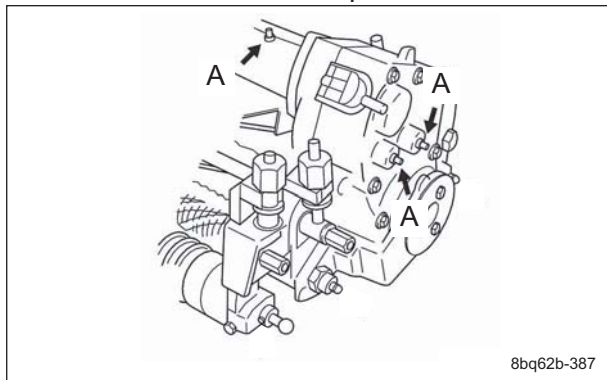
Add grease using the specified grease or lubricant.

	Location	No. of greasing points	Greasing schedule		
			A	B	C
1	Mower unit	42	A	B	
2	Mower arm fulcrum	6		B	
3	Belt tension lever	1		B	
4	Neutral position area	1		B	
5	Rear wheel pivot	1		B	
6	Mower pedal shaft fulcrum	1		B	
7	Flexible wire bracket	1		B	
8	Traveling pedal shaft fulcrum	1		B	
9	Rear wheel brake lever shaft	1		B	
10	Flexible wire edge	3		B	
11	Flexible wire	6	A		C

Add grease to A every 8 hours, to B every 50 hours and to C before work.

## 1. Mower unit

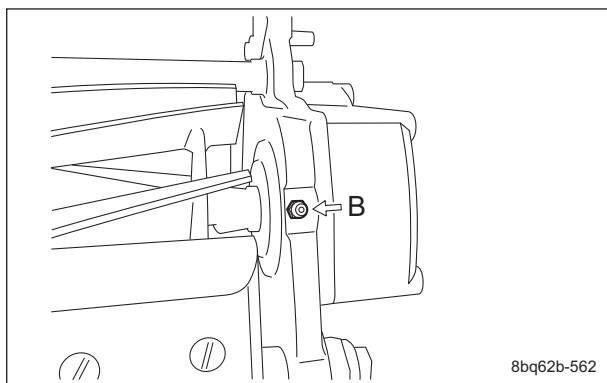
Each mower unit has 14 points.



8bq62b-387

Greasing Points\_002

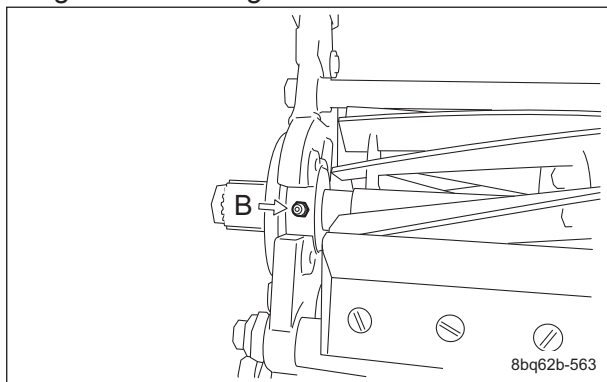
### Left frame



8bq62b-562

Greasing Points\_003

### Right reel housing



8bq62b-563

Greasing Points\_004

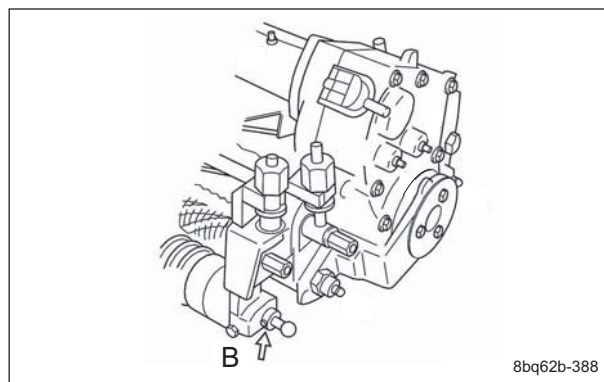
### Front roller

Note:

Depending on the specifications, this function may not be available.

Split roller has no greasing point.

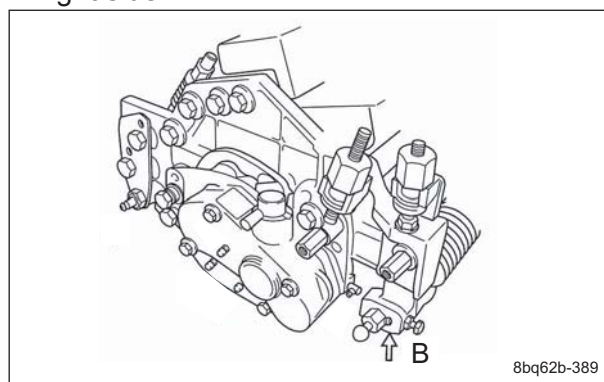
### Left side



8bq62b-388

Greasing Points\_005

### Right side



8bq62b-389

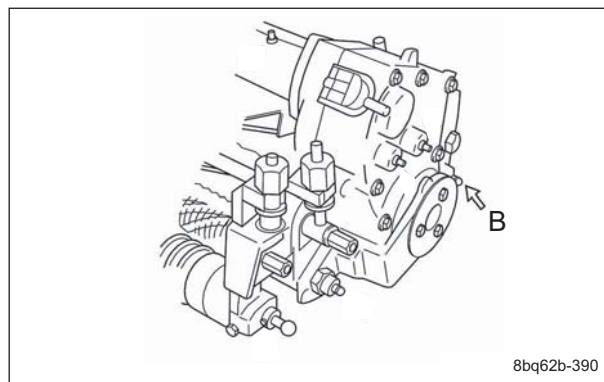
Greasing Points\_006

### Rear roller

Note:

Depending on the specifications, this function may not be available.

### Left side

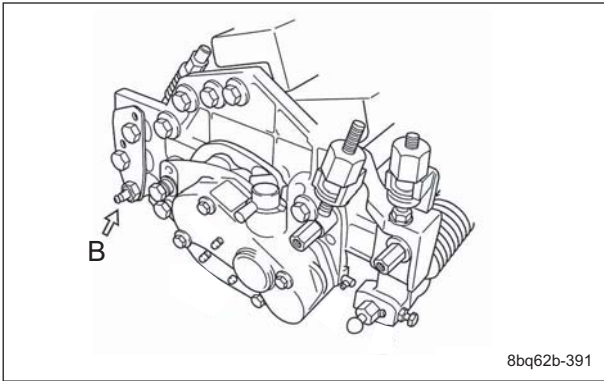


8bq62b-390

Greasing Points\_007

# Maintenance

Right side



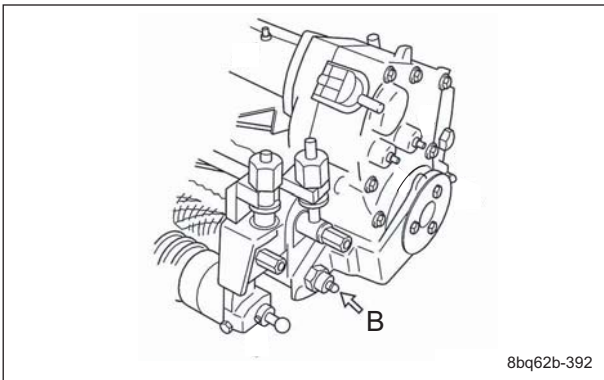
Greasing Points\_008

Groomer

Note:

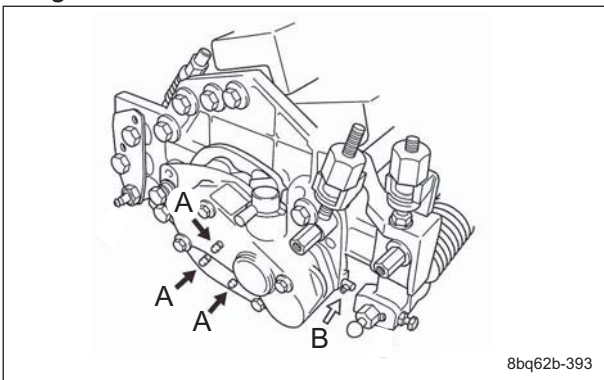
Depending on the specifications, this function may not be available.

Left side



Greasing Points\_009

Right side



Greasing Points\_010

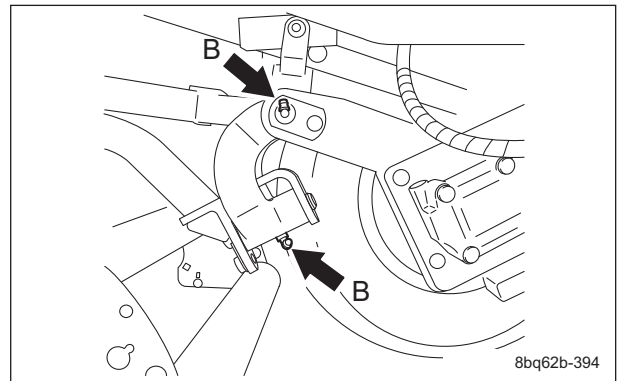
## 2. Mower arm fulcrum

**Important**

Without greasing the mower arm fulcrum, the worn shaft can cause backlash in the lift arm and mower arm. The backlash may influence up-down range of the mower unit and cutting finish.

## [1] Front mower unit

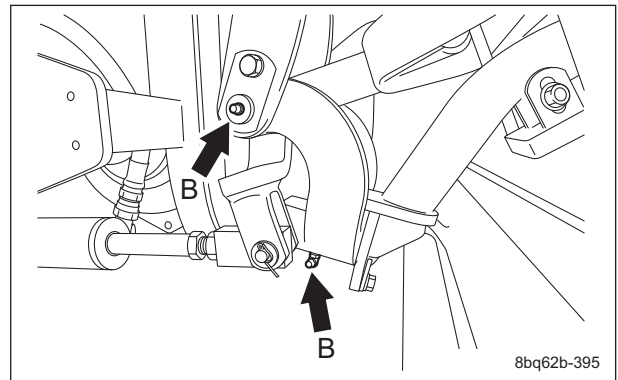
There are two greasing points on each mower unit.



Greasing Points\_011

## [2] Rear mower unit

There are two locations.

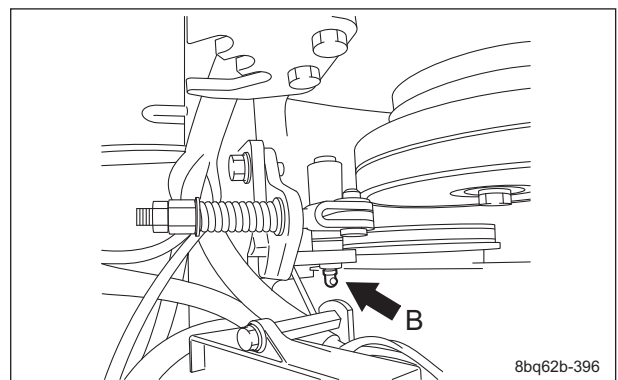


Greasing Points\_012

## 3. Belt tension lever

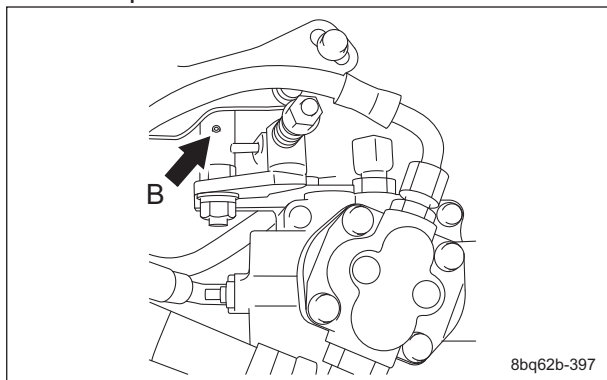
**Important**

Without greasing the tension lever, it can adhere.



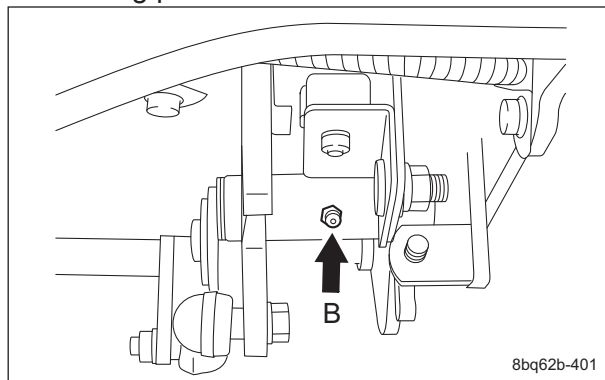
Greasing Points\_013

## 4. Neutral position area



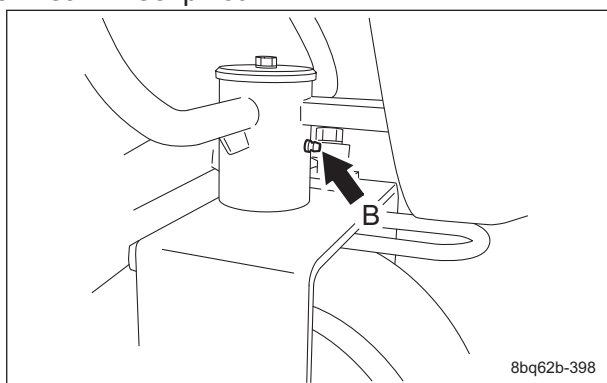
Greasing Points\_014

## 8. Traveling pedal shaft fulcrum



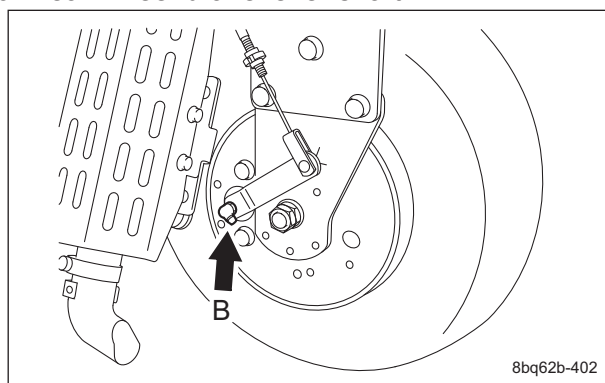
Greasing Points\_018

## 5. Rear wheel pivot



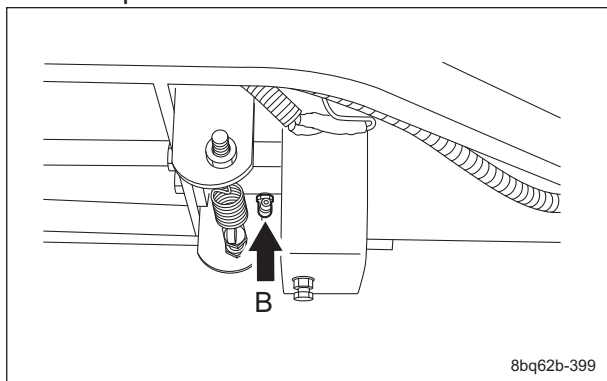
Greasing Points\_015

## 9. Rear wheel brake lever shaft



Greasing Points\_019

## 6. Mower pedal shaft fulcrum

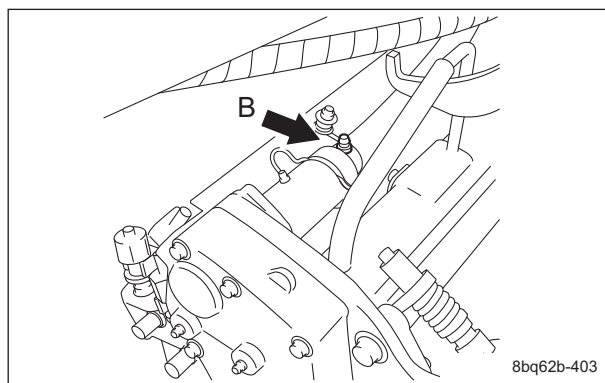


Greasing Points\_016

## 10. Flexible wire edge

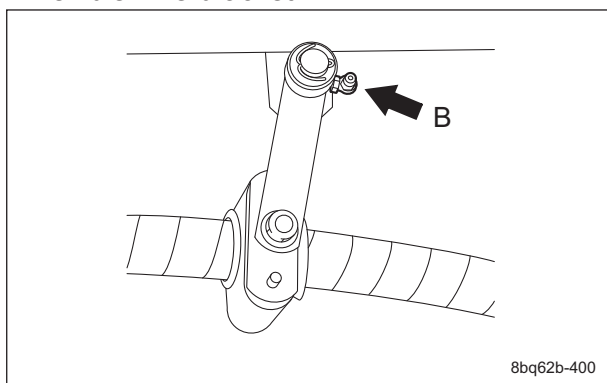
There is one greasing point on each flexible wire.

Grease by one stroke (1.0mL) every 50 hours.



Greasing Points\_020

## 7. Flexible wire bracket



Greasing Points\_017

# Maintenance

**Important**

Lack of grease in the flexible wire may cause damage to it.  
 Grease according to the maintenance schedule.  
 The inner cable is a strand wire. Lack of grease in the strand wire may cause friction inside it resulting in damage due to abnormal heat generation.

**11. Flexible wire**

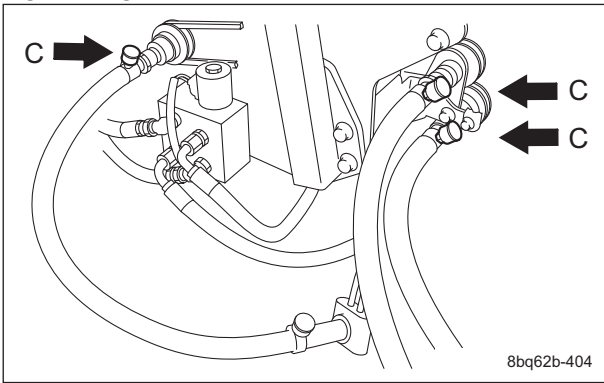
Use Moly speed grease No.2.

Note:

A Bentone grease formulated with molybdenum disulfide that has excellent wear resistance and anti-seizure properties. Little dripping at high temperature.

Main vehicle side

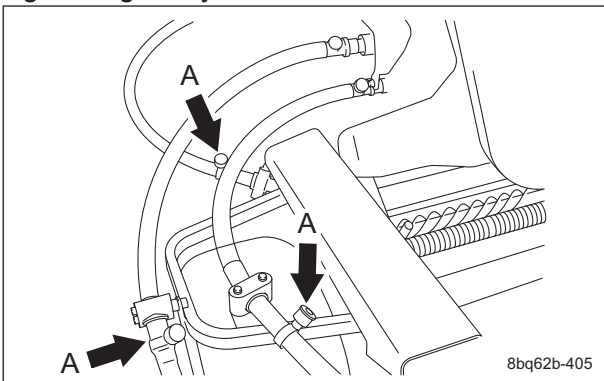
Screw in the grease cup by one turn for greasing before work.



Greasing Points\_021

Central part

Screw in the grease cup by one turn for greasing every 8 hours.



Greasing Points\_022

Note:

Follow the steps below for greasing if the grease cup of the flexible wire has been screwed in fully.

[1] Remove the grease cup.

[2] Add grease fully to the grease cup without aeration.

[3] Screw in the grease cup by two turns for installation.

## Lubrication

### About Lubrication

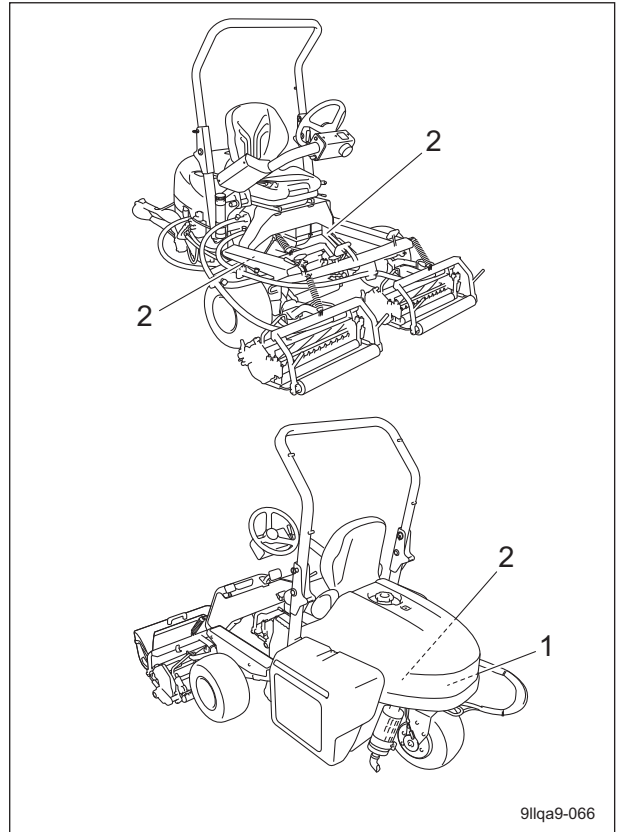
It is necessary to lubricate moving parts so that they will not become stuck or damaged.

The locations where lubricant is used are indicated in "Lubricating Points".

Apply the lubricant.

### Lubricating Points

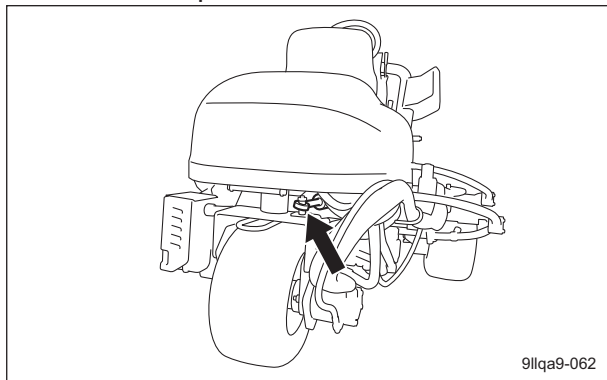
Apply lubricant at the following locations every 50 hours of operation.



Lubricating Points\_001

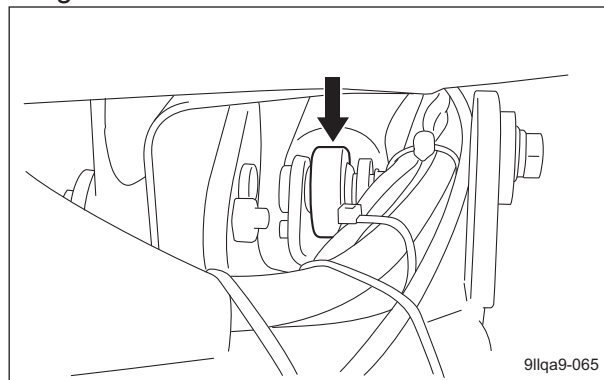
	Location	No. of lubricating points
1	Steering cylinder spherical bearing	1
2	Mower up/down cylinder spherical bearing	3

- 1. Steering cylinder spherical bearing  
There is one point.



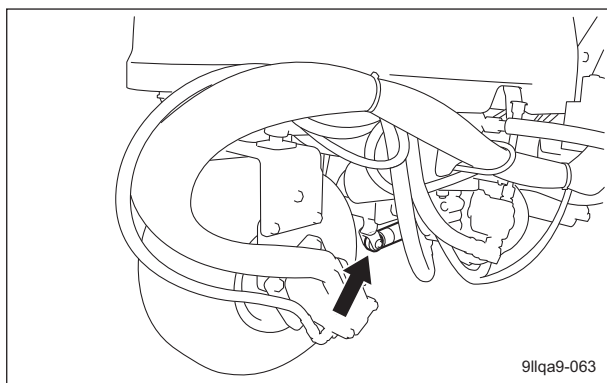
Lubricating Points\_002

### Right mower unit



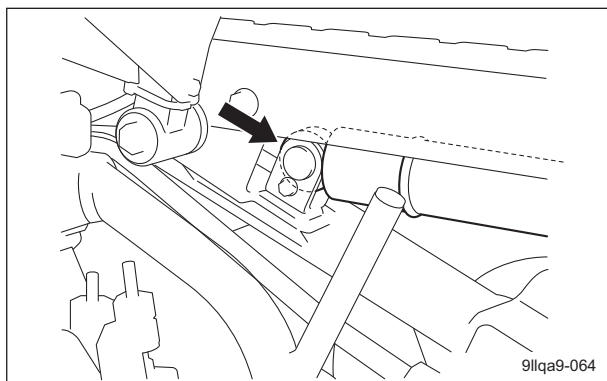
Lubricating Points\_005

- 2. Mower up/down cylinder spherical bearing  
There is one point each on the mower up/  
down cylinders.  
Rear mower unit



Lubricating Points\_003

### Left mower unit



Lubricating Points\_004

# Maintenance

## Maintenance Work

### Back Lapping

Back lapping is work similar to sharpening a cooking knife. If the edges of the reel cutter (cutting cylinder) and the bed knife (bottom blade) become blunt and make cutting difficult, both the reel cutter (cutting cylinder) and the bed knife (bottom blade) should be simultaneously sharpened by reversing the reel cutter (cutting cylinder) with an abrasive paste applied.

However, back lapping is a temporary measure and would not restore the sharpness completely.

If the edges of the reel cutter (cutting cylinder) and the bed knife (bottom blade) become blunt and make cutting difficult, follow the steps below to perform back lapping.

#### Warning

During back lapping, the reel cutter (cutting cylinder) rotates. Keep hands and feet away from moving parts.

#### Caution

Be careful not to inhale exhaust gas during back lapping.

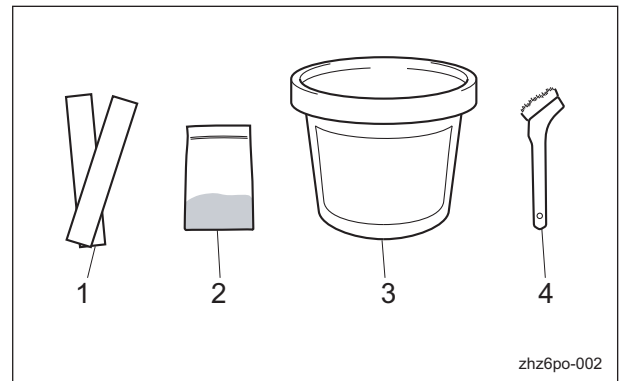
#### Caution

Do not perform back lapping with any other persons.

#### Caution

Be sure to stop the engine before and during shifting the transmission selector. Otherwise, your hands may get caught in the belt.

1. Have the following items ready: Strips of newspaper, Abrasive [Back lapping powder mixed with oil; or gel compound (Baroness genuine abrasive)], Brush.



Back Lapping\_001

1	Newspaper
2	Back lapping powder
3	Gel compound
4	Brush

#### Note:

The mixing ratio for the abrasive, in volume, is one part back lapping powder (#200 - #400) to three or four parts oil.

#### Caution

When handling the reel cutter (cutting cylinder) or bed knife (bottom blade), wear gloves to protect your hands. Pay attention not to let the reel cutter (cutting cylinder) catch your gloves. Otherwise, you may injure your hand or fingers.

#### Important

Check the sharpness of the blade by checking the blade engagement after cutting grass.

2. Raise all the mower units.
3. Stop the engine.
4. Set the reel reverse lever for the mower units to the "Neutral" position.
5. Insert one or two strips of newspaper into the space between the reel cutter (cutting cylinder) and the bed knife (bottom blade) at an angle of 90 degrees. Then, rotate the reel cutter (cutting cylinder) counter-clockwise (when you face the mower unit from the left) to check the sharpness of the blades.
6. Check the sharpness of the entire range (three or four points) of the reel cutter (cutting cylinder).
7. Using a piece of chalk, mark locations on the blade that are sharp.



8. Set the reel reverse lever for the mower units to be back lapped to the "Reverse" position. Shift the lever(s) to the "Neutral" position for the mower unit(s) for which you will not perform back lapping.
9. Set the transmission selector lever to the "Back lapping" position.
10. Take the operator's seat, apply the parking brake and then start the engine.
11. Lower all the mower units to the ground.
12. Reduce the engine rotation speed.
13. Set the reel rotation switch to the "Rotation" position to reverse the reel cutter (cutting cylinder).
14. Apply the abrasive evenly with the brush on the top side of reel cutter (cutting cylinder) where the newspaper was cut well or of chalk-marked locations. (Never apply to blunt areas.)
15. Let the reel rotate for a while and, when contact noise is no longer heard, return the reel rotation switch to the "Stop" position to stop the reel cutter (cutting cylinder).
16. Raise all the mower units.
17. Stop the engine.
18. Wash off or wipe off with a cloth, etc., the abrasive from the reel cutter (cutting cylinder), and then check it for sharpness.
19. Repeat steps 4 to 18 until the entire range (three or four points) of the reel cutter (cutting cylinder) will be uniformly sharpened.
20. Start the engine.
21. Lower all the mower units to the ground.
22. Finally, apply abrasive to the entire blade width of the reel cutter (cutting cylinder) and perform final back lapping.
23. Return the reel rotation switch to the "Stop" position to stop the rotation of the reel cutter (cutting cylinder), stop the engine, and then wash off the abrasive using a washer etc.
24. Set the transmission selector lever to the desired position.
25. Set the reel reverse lever to the "Neutral" position.
26. While checking the blade for sharpness, adjust blade engagement.

### Adjusting CAM

When the gap at the left frame side between the reel cutter (cutting cylinder) and the bed knife (bottom blade) appears.

1. Loosen the locknut and turn the left cam bush clockwise for the gap size.  
When you raise the bed knife (bottom blade) for 0.1mm (0.039 inch), turn the left cam bush clockwise for 30 degrees.

2. Once the adjustment completed, tighten the locknut securely.

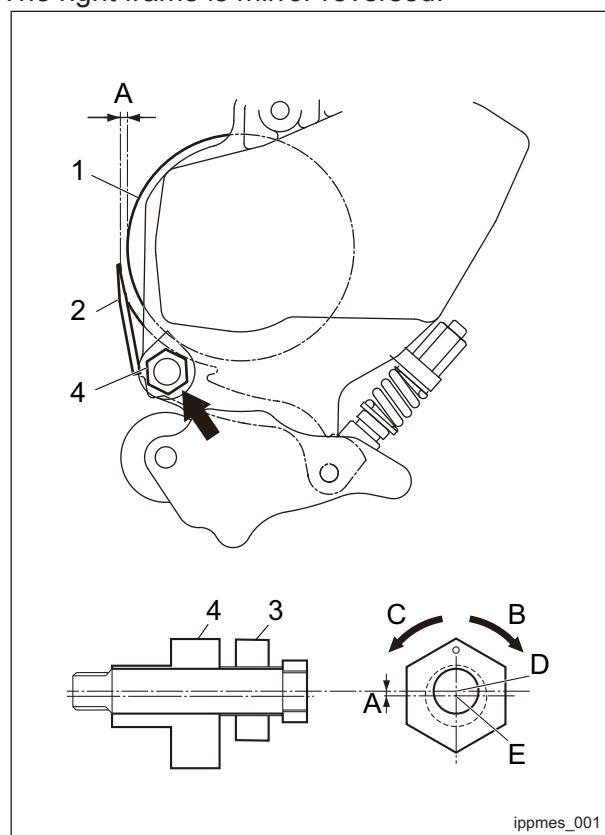
When the gap at the right frame side between the reel cutter (cutting cylinder) and the bed knife (bottom blade) appears.

1. Loosen the locknut and turn the right cam bush anticlockwise for the gap size.
2. Once the adjustment completed, tighten the locknut securely.

Note:

The figure below shows the situation when you see from the left frame.

The right frame is mirror reversed.



Adjusting CAM\_001

# Maintenance

1	Reel cutter (Cutting cylinder)
2	Bed knife (Bottom blade)
3	Lock nut
4	Cam bush
A	Max 0.3 mm (0.012 inch)
B	Bed knife (bottom blade) moving up
C	Bed knife (bottom blade) moving down
D	Center of cutter pin
E	Center of cam bush

## Sharpening of Reel Cutter (Cutting Cylinder)

The sharpening of the reel cutter (cutting cylinder) consists in maintaining its roundness and creating a relief (second edge face). This work should be performed if the sharpness cannot be restored, even after back lapping, or if the relief (second edge face) has worn away.

Sharpen the reel cutter (cutting cylinder) when the sharpness cannot be restored, even after back lapping, or when the relief (second edge face) has worn away, there is full contact or back lapping takes too much time.

In addition, if the reel cutter (cutting cylinder) becomes worn and its shape conical, perform cylindrical grinding to return it to a cylindrical shape.

For sharpening the reel cutter (cutting cylinder), contact your dealer or Baroness unless you have a grinding machine.

**⚠ Caution**

Both the reel cutter (cutting cylinder) and the bed knife (bottom blade) are edged tools. Handle them carefully, since they could cut your hands and feet.

**⚠ Caution**

Wear gloves when touching edged tools to avoid cutting your hands.

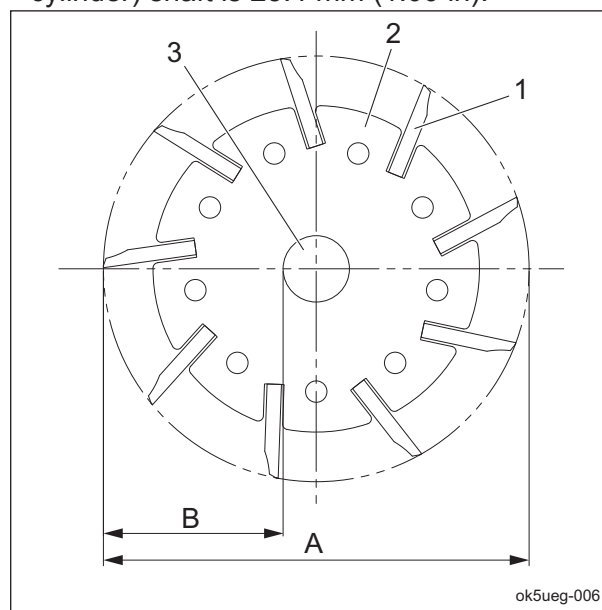
The criteria for sharpening the reel cutter (cutting cylinder) are described below. However, these criteria are only references and do not guarantee performance of a reel cutter (cutting cylinder).

1. If the outer diameter of the reel cutter (cutting cylinder) after sharpening is more than the usage limit, the reel cutter (cutting cylinder) can be sharpened.

New		Usage limit	
Dimension A (Outer diameter of reel cutter (cutting cylinder))	Dimension B (Distance from blade edge to outer edge of reel cutter (cutting cylinder) shaft)	Dimension A (Outer diameter of reel cutter (cutting cylinder))	Dimension B (Distance from blade edge to outer edge of reel cutter (cutting cylinder) shaft)
128 mm (5.04 in)	51.3 mm (2.02 in)	118 mm (4.65 in)	46.3 mm (1.82 in)

**Note:**

The outer diameter of the reel cutter (cutting cylinder) shaft is 25.4 mm (1.00 in).



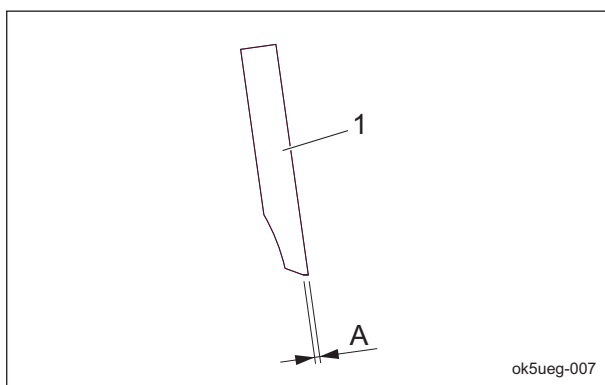
Sharpening of Reel Cutter (Cutting Cylinder)\_001

1	Reel cutter (cutting cylinder) blade
2	Reel cutter (cutting cylinder) disc
3	Reel cutter (cutting cylinder) shaft
A	Outer diameter of reel cutter (cutting cylinder)
B	Distance from blade edge to outer edge of reel cutter (cutting cylinder) shaft

2. Sharpening is necessary when the reel cutter (cutting cylinder) reaches a condition described below.

[1] When the sharpening width (length of contacting surface of bed knife (bottom blade)) for the outer diameter of the reel cutter (cutting cylinder) is greater than the usage limit.

Outer diameter of reel cutter (cutting cylinder) (new part)	Usage limit of sharpening width for outer diameter of reel cutter (cutting cylinder)
128 mm (5.04 in)	2.5 mm (0.10 in) (factory-recommended)



Sharpening of Reel Cutter (Cutting Cylinder)\_002

1	Reel cutter (cutting cylinder) blade
A	Sharpening width for outer diameter of reel cutter (cutting cylinder)

[2] When the edges become blunt or the blade edge cannot be formed with back lapping

[3] When the reel cutter (cutting cylinder) becomes worn and its shape conical, or when blade engagement adjustment cannot be performed

## Replacement of Reel Cutter (Cutting Cylinder)

**Caution**

Both the reel cutter (cutting cylinder) and the bed knife (bottom blade) are edged tools. Handle them carefully, since they could cut your hands and feet.

**Caution**

Wear gloves when touching edged tools to avoid cutting your hands.

The criteria for replacing the reel cutter (cutting cylinder) are described below.

However, these criteria are only a reference and do not guarantee performance like that of a new reel cutter (cutting cylinder).

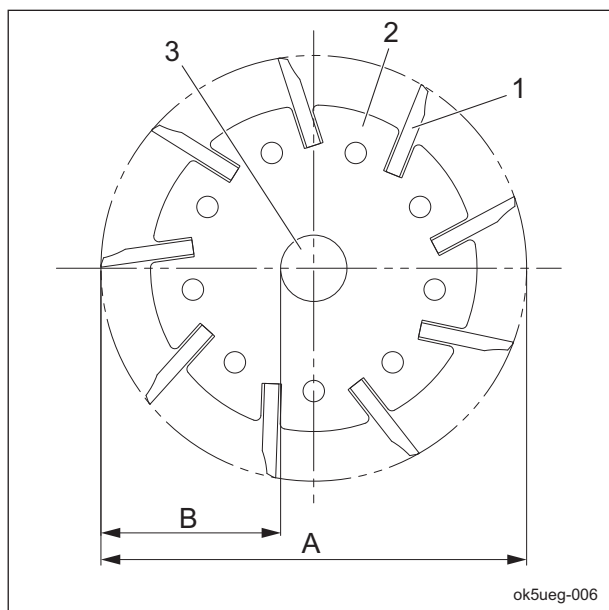
1. When the outer diameter of the reel cutter (cutting cylinder) is less than the usage limit

New		Usage limit	
Dimension A (Outer diameter of reel cutter (cutting cylinder))	Dimension B (Distance from blade edge to outer edge of reel cutter (cutting cylinder) shaft)	Dimension A (Outer diameter of reel cutter (cutting cylinder))	Dimension B (Distance from blade edge to outer edge of reel cutter (cutting cylinder) shaft)
128 mm (5.04 in)	51.3 mm (2.02 in)	118 mm (4.65 in)	46.3 mm (1.82 in)

**Note:**

The outer diameter of the reel cutter (cutting cylinder) shaft is 25.4 mm (1.00 in).

# Maintenance



Replacement of Reel Cutter (Cutting Cylinder)\_001

1	Reel cutter (cutting cylinder) blade
2	Reel cutter (cutting cylinder) disc
3	Reel cutter (cutting cylinder) shaft
A	Outer diameter of reel cutter (cutting cylinder)
B	Distance from blade edge to outer edge of reel cutter (cutting cylinder) shaft

## Attaching Reel Cutter (Cutting Cylinder)

### ⚠ Caution

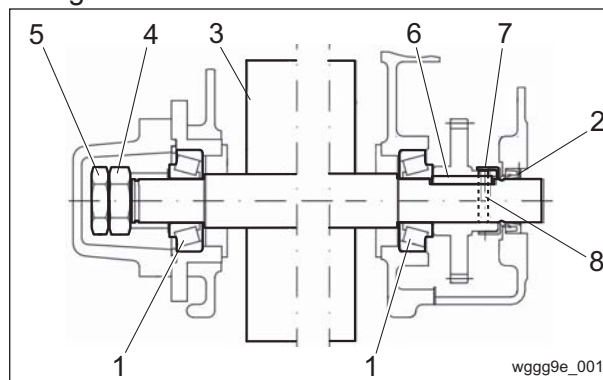
Both the reel cutter (cutting cylinder) and the bed knife (bottom blade) are edged tools. Handle them carefully, since they could cut your hands and feet.

Follow the instruction below to replace the reel cutter bearing (right/left) and seal.  
Use 30204JRP6 as bearing.

1. Fill up the bearings and seal with grease (Excelite EP No.2).
2. Attach the reel cutter (cutting cylinder) to the frame like the figure below.
3. Tighten the inner nut and check the bearing for backlash.
4. Loosen the inner nut at the level that the reel cutter (cutting cylinder) can be rotated lightly by your hand and you don't feel the backlash.

Tightening torque: 7 N-m (71.4 kgf-cm / 61.96 lb-in)

## 5. Tighten the outer locknut.



Attaching Reel Cutter (Cutting Cylinder)\_001

1	Bearing
2	Seal
3	Reel cutter (Cutting cylinder)
4	Inner nut
5	Outer nut
6	Key
7	Cover
8	Pin

## Replacement of Bed Knife (Bottom Blade)

### ⚠ Caution

Both the reel cutter (cutting cylinder) and the bed knife (bottom blade) are edged tools. Handle them carefully, since they could cut your hands and feet.

### ⚠ Caution

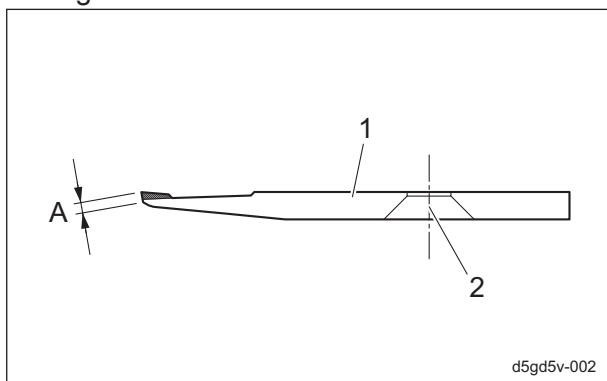
Wear gloves when touching edged tools to avoid cutting your hands.

The criteria for replacing the bed knife (bottom blade) are described below.

1. When the reel cutter (cutting cylinder) is ground
2. When the reel cutter (cutting cylinder) is replaced
3. When the bed knife (bottom blade) is worn

### Standard blade

Replace the bed knife (bottom blade) before it no longer has a front face.

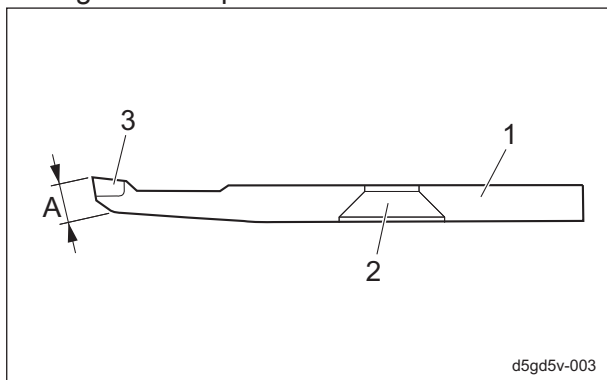


Replacement of Bed Knife (Bottom Blade)\_001

1	Bed knife (bottom blade)
2	Mounting hole
A	Front face

### High-speed-steel-tipped blade

Replace the bed knife (bottom blade) before it no longer has a tip.



Replacement of Bed Knife (Bottom Blade)\_002

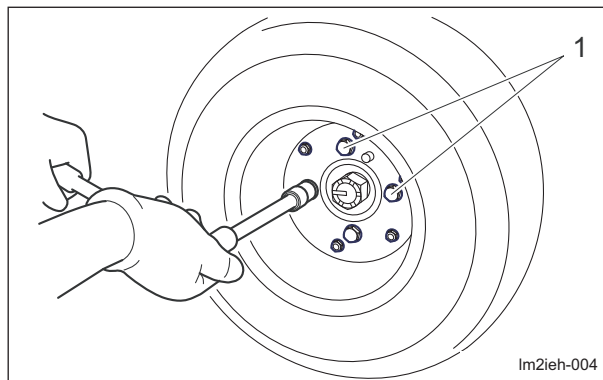
1	Bed knife (bottom blade)
2	Mounting hole
3	Tip
A	Front face

## Removing/Installing Tires

### Front Tire

Follow the steps below to remove the front tire:

1. Loosen the bolts.



Front Tire\_001

1	Heat-treated bolt
---	-------------------

2. Securely place the jack beneath the jack-up point of the front right/left frame area, and then raise it until the tire lifts off the ground. "Jack-Up Points" (Page 5-9)
3. Remove the bolts.
4. Remove the tire from the wheel mounting base.

**Important**

Tighten the bolts in the tightening order (crosswise).

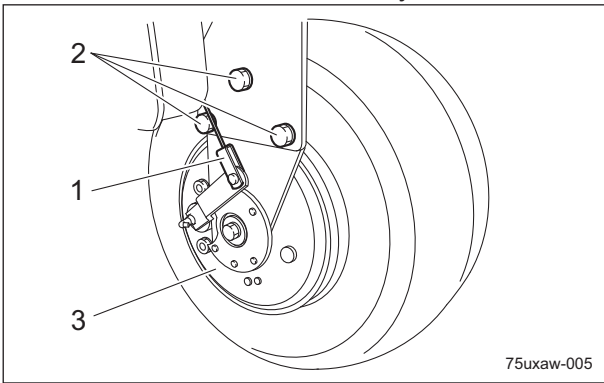
For installing the front tires, reverse the removing procedure.

# Maintenance

## Rear Tire

Follow the steps below to remove the rear tires:  
[2WD]

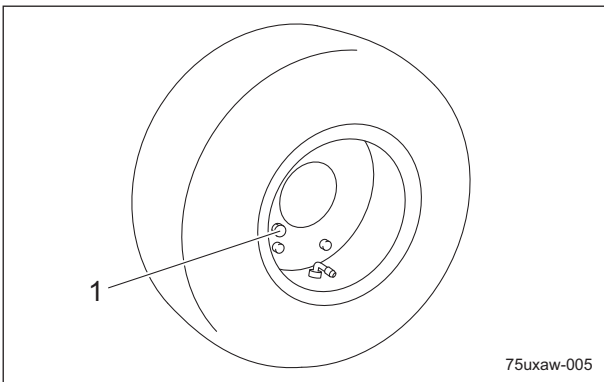
1. Securely place the jack beneath the jack-up points of the engine mount frame area, and then raise it until the tire lifts off the ground. "Jack-Up Points" (Page 5-9)
2. Remove the wire.
3. Remove the right/left bolts.
4. Remove the rear wheel Assy.



Rear Tire\_001

1	Wire
2	Bolt
3	Rear wheel Assy

5. Remove the bolts.



Rear Tire\_002

1	Bolt
---	------

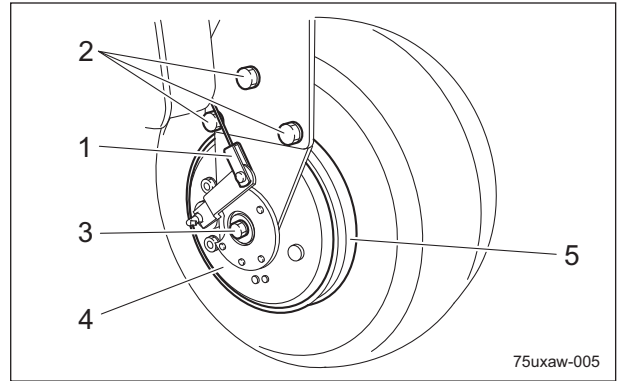
6. Remove the tire from the wheel mounting base.

### Important

Tighten the bolts in the tightening order (crosswise).

For installing the rear tires, reverse the removing procedure.  
[3WD]

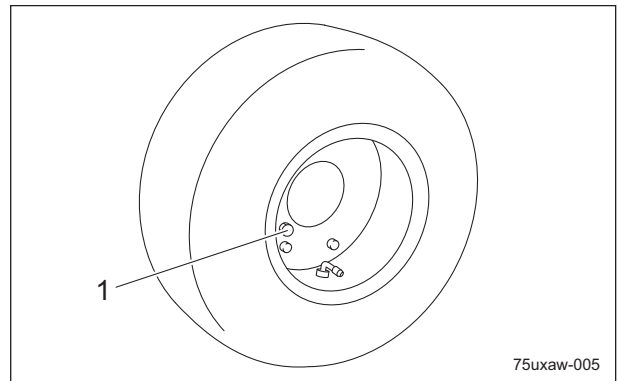
1. Securely place the jack beneath the jack-up points of the engine mount frame area, and then raise it until the tire lifts off the ground. "Jack-Up Points" (Page 5-9)
2. Remove the wire.
3. Remove right/left the bolt A(s).
4. Remove the bolt B at the center.
5. Remove the brake shoe Assy.
6. Remove the brake drum.



Rear Tire\_003

1	Wire
2	Bolt A
3	Bolt B
4	Brake shoe Assy
5	Brake drum

7. Remove the bolts.



Rear Tire\_004

1	Bolt
---	------

8. Remove the tire from the wheel mounting base.

**Important**

Tighten the bolts in the tightening order (crosswise).

For installing the rear tires, reverse the removing procedure.

### Adjustment of Belt Tension

**Warning**

Be sure to stop the engine before adjusting the belts.

**Important**

Before making sure of belt tension, rotate the belt several times.

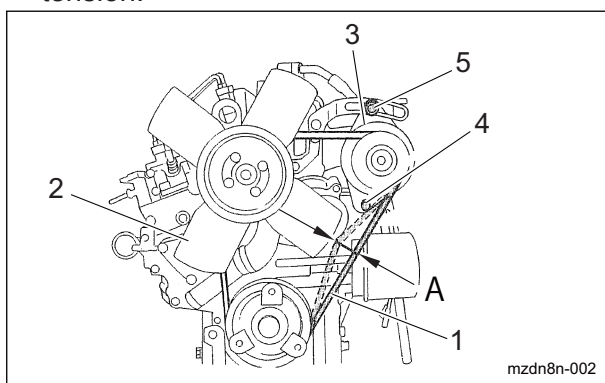
If the belt becomes slack due to frequent use, it may jump or slip.

In addition, if it is overtightened, it may wear prematurely.

If necessary, adjust it, and always check the belt for appropriate tension.

### Fan Belt

1. Open the hood.
2. Press the middle of the belt with your finger to check the belt tension.
3. If the belt tension is inappropriate, loosen the nuts and bolts fixing the alternator, and then move the alternator to adjust the tension.



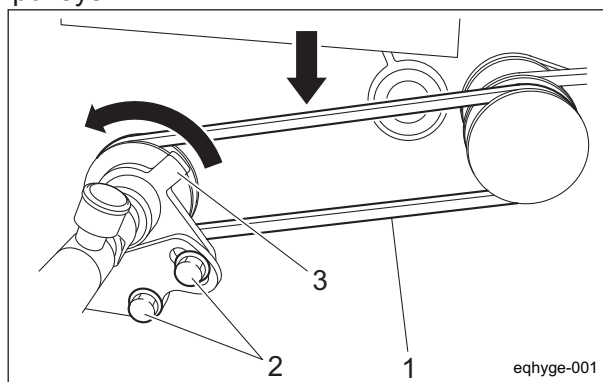
Fan Belt\_001

1	Fan belt
2	Blade
3	Alternator
4	Nut
5	Bolt
A	7.0 - 9.0 mm (0.276 - 0.354 in)

### Reel Cutter Drive Belt

1. Tilt the underseat cover forward and open the cover.
2. Open the hood.
3. Press the middle of the belt with your finger to check the belt tension.
4. If the belt tension is inappropriate, loosen the bolts and move the flexible wire housing (the pulley attached) with the spanner to adjust the tension.

Adjust belt tension so that the deflection may be  $13 \pm 2$  mm ( $0.51 \pm 0.08$  in) when applying 55.0 N (5.5 kgf) load right in the middle of pulleys.



Reel Cutter Drive Belt\_001

1	Reel cutter drive belt
2	Bolt
3	Flexible wire housing

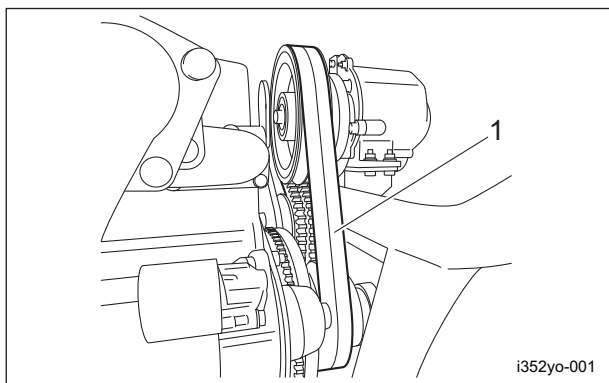
# Maintenance

## Transmission Input Belt

**Important**

Check adhesion of the tension lever.  
It may shorten the belt lifetime.

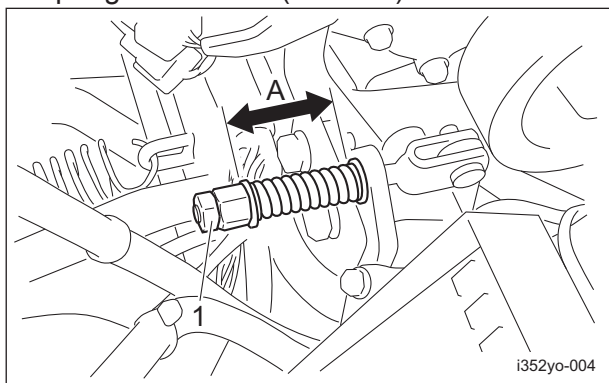
1. Tilt the underseat cover forward and open the cover.
2. Open the hood.
3. Press the middle of the belt with your finger to check the belt tension.



Transmission Input Belt\_001

1	Engine tension belt
---	---------------------

4. Loosen the nut to adjust the length of the spring is 50.0 mm (1.969 in).



Transmission Input Belt\_002

1	Nut
A	50.0 mm (1.969 in)

5. Lock it with the nut.

## Adjustment of Parking Brake

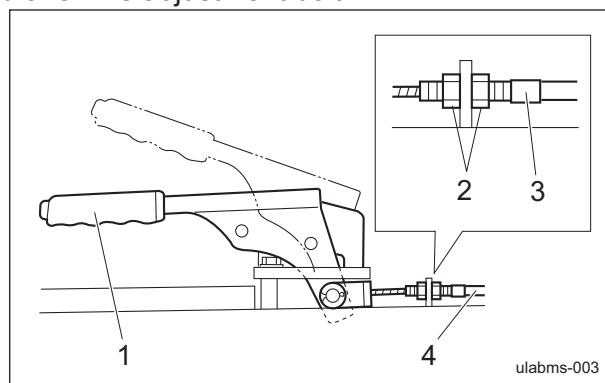
**Caution**

If the brake wire is cut, the machine will be unable to stop.  
If the brake wire is cracked or damaged, replace it with a new one immediately.

**Important**

Make sure that the brake is effective on slopes and that it is not applied any longer when you release it.  
Adjust the parking brake system whenever there is any abnormality.

Adjust the parking brake by tightening the brake wire adjustment bolt.



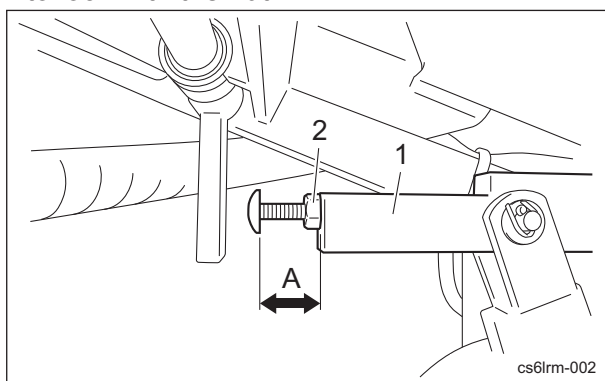
Adjustment of Parking Brake\_001

1	Parking brake lever
2	Lock nut
3	Adjustment bolt
4	Brake wire



## Adjusting Work Speed

1. Lower the mower units.
2. Loosen the locknut on the side of the rod head for the right cylinder to adjust the length of the bolt.
  - Length of the bolt (Longer): Slower
  - Length of the bolt (Shorter): Faster
 Once the adjustment has completed, be sure to lock with the nut.



Adjusting Work Speed\_001

1	Rod head
2	Lock nut
A	Length of the bolt

## Adjusting The Neutral Position of The Piston Pump

### ⚠ Caution

Make sure not to touch rotating tires.

### ⚠ Caution

When adjusting the neutral position, pay close attention to abrupt start of the machine. Place the jacks beneath the jack-up points, and then lift the machine until all the tires get off the ground.

If the machine moves forward or backward while the traveling pedals are released, they are not set to the neutral position. Follow the steps below to make adjustments.

1. Stop the engine.
2. Place the jacks beneath the jack-up points, and then lift the machine off the ground. "Jack-Up Points" (Page 5-9)
3. Make sure that no tires get contact with the jack stand.

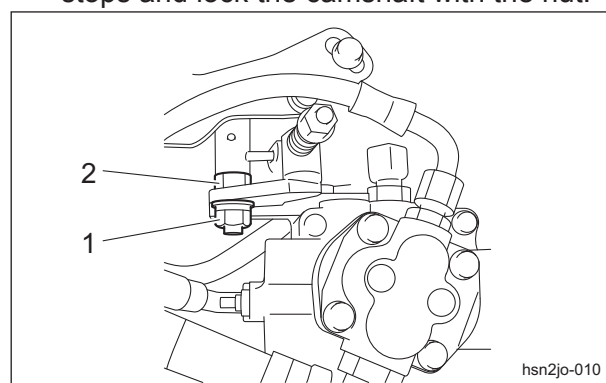
4. Start the engine, and rev it up to the maximum rpm.

5. Adjust the neutral position.

[1] Loosen the lock nut.

[2] Rotate the camshaft slowly until the front wheel stops.

Find the position where the front wheel stops and lock the camshaft with the nut.



Adjusting The Neutral Position of The Piston Pump\_001

1	Lock nut
2	Cam shaft

# Maintenance

## Change of Coolant

**Caution**

Do not touch the radiator or coolant during engine operation or immediately after the engine has been turned off. Otherwise, you may get burned due to high temperatures.

**Caution**

Change coolant after the engine has well cooled down.

**Caution**

The radiator cap is pressurized. If you remove the radiator cap while the engine is overheated, hot steam will burst out, possibly resulting in burns. Make sure that the water temperature and pressure are reduced, and then grab the cap with a thick cloth and gradually open the cap.

**Important**

When changing the coolant, be sure to drain it into a container and discard it in accordance with local laws and regulations.

**Important**

When changing the coolant, be sure to mix clean water (soft water) and antifreeze (long-life coolant), and then pour it into the radiator and reserve tank.

**Important**

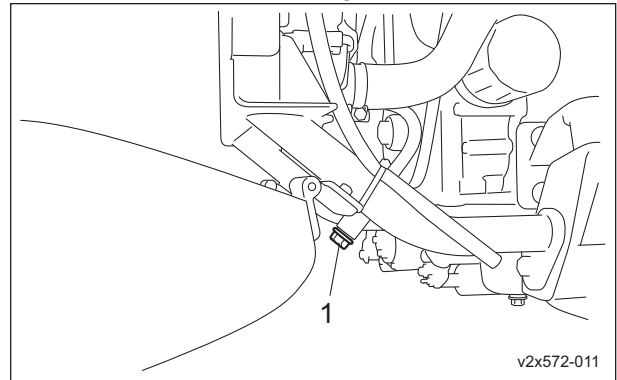
Tightly close the radiator cap. If the cap is loose or incorrectly installed, water will leak and the engine will be damaged due to overheating.

When mixing antifreeze and clean water (soft water), refer to "Relationship between concentration of long-life coolant (LLC) and freezing temperature" below for the mixing ratio.

Relationship between concentration of long-life coolant (LLC) and freezing temperature

Freezing temperature	LLC concentration (volume %)
Down to -10 °C (14 °F)	20 %
Down to -15 °C (5 °F)	30 %
Down to -20 °C (-4 °F)	35 %
Down to -25 °C (-13 °F)	40 %

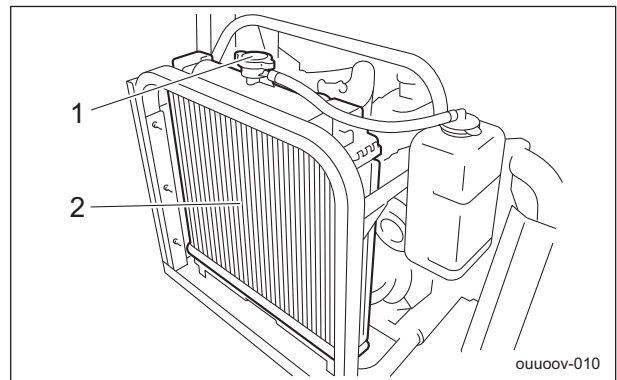
1. Stop the engine, and then allow the radiator to cool.
2. Open the radiator cover.
3. Follow the steps below to drain the coolant.
  - [1] Position a container to drain the coolant into.
  - [2] Remove the drain plug from the radiator.



Change of Coolant\_001

1	Radiator drain plug
---	---------------------

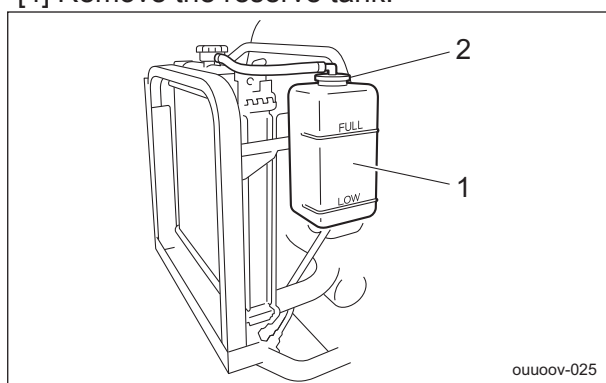
- [3] Remove the radiator cap and drain the coolant.



Change of Coolant\_002

1	Radiator cap
2	Radiator

[4] Remove the reserve tank.



Change of Coolant\_003

1	Reserve tank
2	Reserve tank cap

[5] Open the reserve tank cap, and then drain the coolant.

4. Install the reserve tank.
5. Clean the radiator with clean water to remove any debris or rust.
6. Drain all water from the radiator.
7. Follow the steps below to fill with coolant. The coolant quantity, including the reserve tank, is 3.0 dm<sup>3</sup> (3.0 L).
  - [1] Install the drain plug.
  - [2] Supply clean water and antifreeze into the radiator up to the radiator cap opening.
  - [3] Close the radiator cap.
  - [4] Supply clean water and antifreeze into the reserve tank up to the "FULL" mark.
  - [5] Close the reserve tank cap.
8. Start the engine, and then idle for several minutes to bleed air from the system.
9. Stop the engine, and then allow the radiator to cool.
10. Check if the coolant level in the reserve tank is between "FULL" and "LOW", and then supply coolant if necessary.
11. Close the radiator cover.

## Change of Hydraulic Oil

### ⚠ Caution

Be careful with hot oil, which could cause burns if it contacts your skin.

### Important

When you change the hydraulic oil, be sure to drain it into a bowl and discard it in accordance with local laws and regulations.

### Important

If the oil emulsifies or if it becomes even slightly less transparent, change the oil immediately.

### Important

Use Shell Tellus S2M46 (or equivalent) as hydraulic oil.

In case of an equivalent, consult Characteristics of Hydraulic Oil and use hydraulic oil whose characteristics are superior to those of the specific hydraulic oil. Especially regarding kinematic viscosity and viscosity index, use of hydraulic oil whose figures are less than those of the specified hydraulic oil will cause a malfunction in the hydraulic circuit.

### Note:

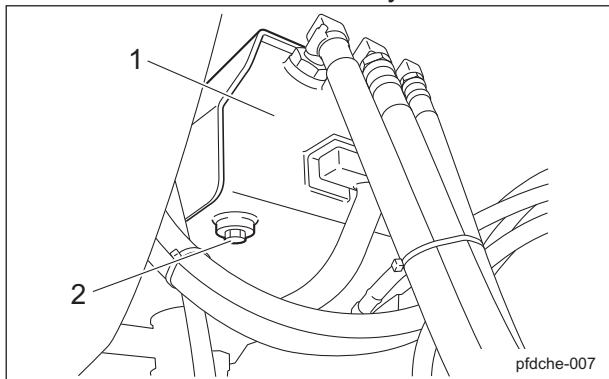
#### Characteristics of Hydraulic Oil

Specified Hydraulic Oil		Shell Tellus S2M46
ISO Viscosity Grade		ISO VG46
Density	15 °C (59 °F)	0.873 g/cm <sup>3</sup> (0.0315 lb/in <sup>3</sup> )
API Gravity		30.6
Flash Point (Open Cup)		230 °C (446 °F)
Pour Point		-30 °C (-22 °F)
Kinematic	40 °C (104 °F)	46 mm <sup>2</sup> /s (46 cSt)
Viscosity	100 °C (212 °F)	7 mm <sup>2</sup> /s (7 cSt)
Viscosity Index		109

1. Follow the steps below to remove the old oil.
  - [1] Start and run the engine to warm up the oil.
  - [2] On a level surface, lower the mower units, and then stop the engine.

# Maintenance

- [3] Remove the drain plug of the hydraulic tank, and then drain the old oil into a container.
- [4] Wind new sealing tape on the drain plug, and then attach it to the hydraulic tank.

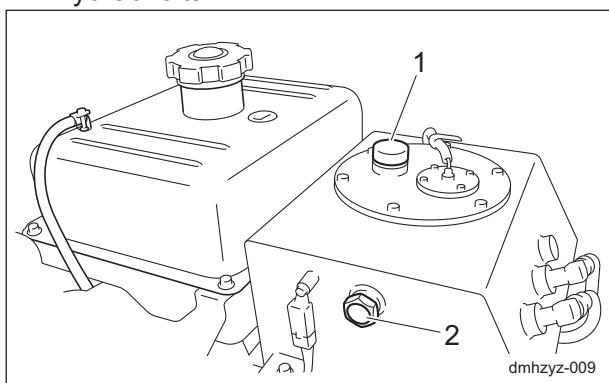


Change of Hydraulic Oil\_001

1	Hydraulic tank
2	Drain plug

2. Open the hood.
3. Follow the steps below to fill with new coolant.  
The hydraulic tank capacity is approximately 16.0 dm<sup>3</sup> (16.0 L).

- [1] Open the tank cap, and then pour new oil from the fill port until the oil level reaches the middle of the oil gauge on the hydraulic tank.



Change of Hydraulic Oil\_002

1	Tank cap
2	Oil gauge

- [2] Tighten the tank cap securely.
4. Start the engine, raise and lower the mower units, and turn the steering wheel left and right.  
Move forward and reverse repeatedly several times.

5. Raise the mower units and maintain that position on a level surface, and then check to see if the oil level is at the middle of the oil gauge. If necessary, supply oil.
6. Check underneath the machine for oil leakage.
7. Close the hood.

## Change of Hydraulic Oil Filter

### ⚠ Caution

Be careful with hot oil, which could cause burns if it contacts your skin.

### Important

When replacing the hydraulic oil filter, be sure to drain the oil into a container and discard it in accordance with local laws and regulations.

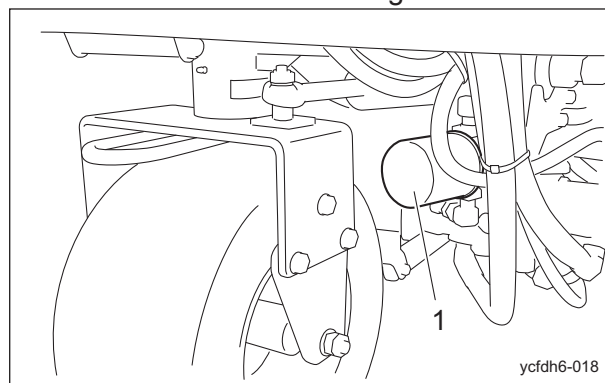
### Important

If the hydraulic oil emulsifies or if it becomes even slightly less transparent, change the oil immediately.

### Important

Use Shell Tellus S2M46 (or equivalent) as hydraulic oil.

1. Lower the mower units on a level surface.
2. Stop the engine.
3. Remove the old filter cartridge.



Change of Hydraulic Oil Filter\_001

1	Filter cartridge
---	------------------

4. Lightly coat the packing of the new filter cartridge with hydraulic oil, and then install the cartridge.

5. Screw in the filter cartridge by hand until the packing contacts the mounting surface. Then tighten additional 1/2 turn from that point.
6. Supply hydraulic oil until it reaches the specified level.  
"Hydraulic Oil Supply" (Page 4-6)
7. Start the engine, and then stop it after 10 to 20 minutes.
8. Make sure that there is no oil leakage at the sealing surface of the filter cartridge.
9. Check the hydraulic oil level.  
If it is low, supply hydraulic oil until it reaches the specified level.
10. Check underneath the machine for oil leakage.

### Change of Air Cleaner

A contaminated air cleaner element may cause malfunction of the engine.

To maximize the life of the engine, replace the air cleaner element at the appropriate times.

1. The timing for replacing the air cleaner element is described below.
  - [1] Replace the air cleaner element in accordance with the Maintenance Schedule.
  - [2] If it is significantly contaminated, replace it, even if the hours of operation do not exceed the specified time.
2. Replace the air cleaner element by following the same steps as for cleaning the air cleaner.  
"Cleaning of Air Cleaner" (Page 4-7)

### Change of Engine Oil

#### **⚠ Caution**

Be careful with hot oil, which could cause burns if it contacts your skin.

#### **Important**

When you change the engine oil, be sure to drain it into a bowl and discard it in accordance with local laws and regulations.

#### **Important**

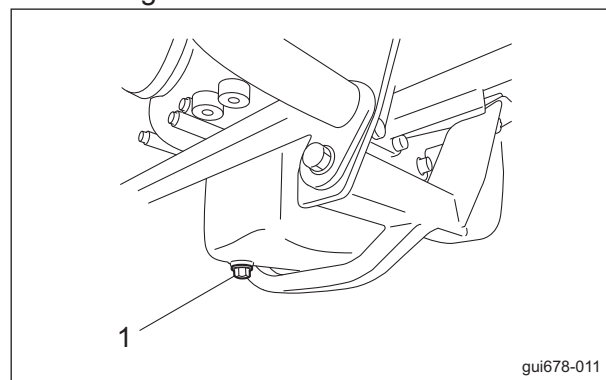
Be sure to use engine oil that is classified as API Service Grade CF or higher, with an SAE Viscosity that is appropriate for the operating environment (ambient temperature).

#### **Important**

Securely tighten the oil level gauge and oil filler cap.

Change the engine oil more frequently if the engine oil is contaminated and, especially, if you use the machine in dusty areas or operate the engine at high loads or in high temperatures.

1. Follow the steps below to remove the old engine oil.
  - [1] Start and run the engine to warm up the engine oil.
  - [2] With the machine on a level surface, stop the engine.
  - [3] Remove the drain plug, and then drain the old engine oil into a container.



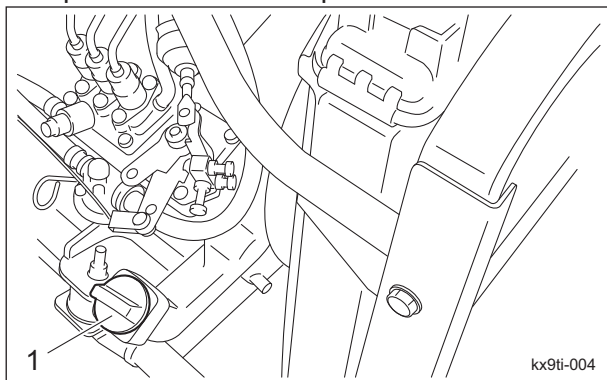
Change of Engine Oil\_001

1	Drain plug
---	------------

- [4] Replace the drain plug in the engine.
2. Remove the oil filler cap, and supply new engine oil until the oil reaches a level in between the upper and lower limit lines on the oil level gauge.  
Engine oil quantity is approximately 2.8 dm<sup>3</sup> (2.8 L).

# Maintenance

## 3. Replace the oil filler cap.



Change of Engine Oil\_002

1	Oil filler cap
---	----------------

4. It will take a while for the supplied engine oil to descend into the oil pan.  
Check the oil level again 10 to 20 minutes after filling the oil.
5. Check underneath the machine for oil leakage.

## Replacement of Engine Oil Filter

### ⚠ Caution

Be careful with hot oil, which could cause burns if it contacts your skin.

### Important

When replacing the engine oil filter, be sure to drain the engine oil into a container and discard it in accordance with local laws and regulations.

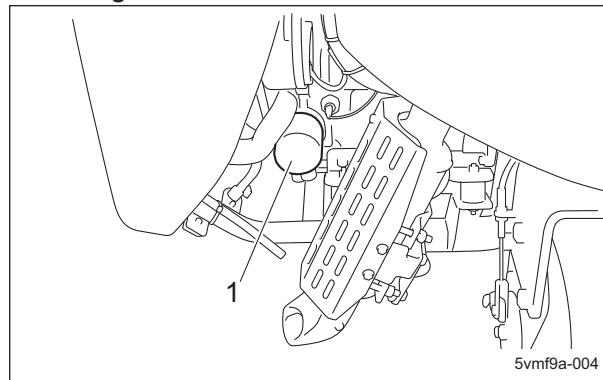
### Important

Be sure to use engine oil that is classified as API Service Grade CF or higher, with an SAE Viscosity that is appropriate for the operating environment (ambient temperature).

### Important

Securely tighten the oil level gauge and oil filler cap.

## 1. With the filter wrench, remove the old filter cartridge.



Replacement of Engine Oil Filter\_001

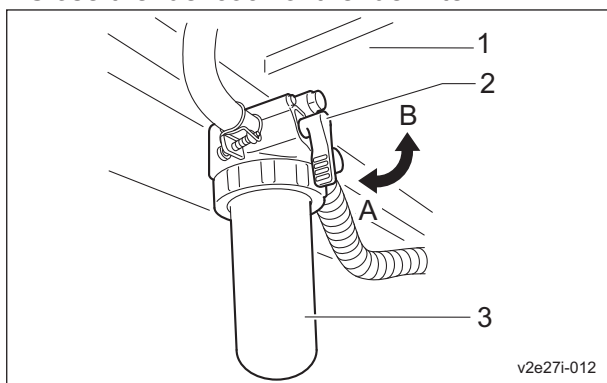
1	Filter cartridge
---	------------------

2. Lightly coat the packing of the new filter cartridge with engine oil.
3. Hand-tighten the filter cartridge until the packing contacts the mounting surface, and then hand-tighten additional 1/2 turn.
4. Supply engine oil until it reaches the specified level.  
"Supply of Engine Oil" (Page 4-11)
5. Start the engine, and then stop it after 10 to 20 minutes.
6. Make sure that there is no oil leakage at the sealing surface of the filter cartridge.
7. Check the engine oil level.  
If it is low, supply engine oil until it reaches the specified level.
8. Check underneath the machine for oil leakage.

## Replacement of Fuel Filter Element

If dust or dirt accumulates in the fuel filter, the fuel flow will become insufficient. Replace the fuel filter at the appropriate times. The fuel filter is on the left side under the fuel tank.

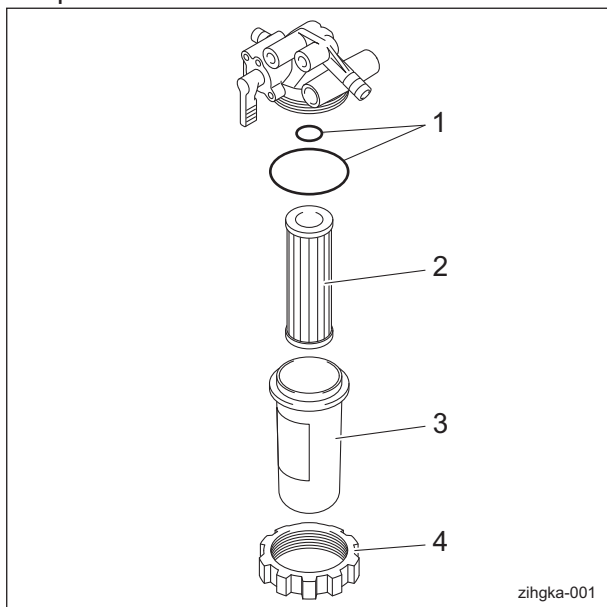
1. Close the fuel cock of the fuel filter.



Replacement of Fuel Filter Element\_001

1	Fuel tank
2	Fuel cock
3	Fuel filter
A	ON (open)
B	OFF (close)

2. Remove the ring nut, and then remove the cup.



Replacement of Fuel Filter Element\_002

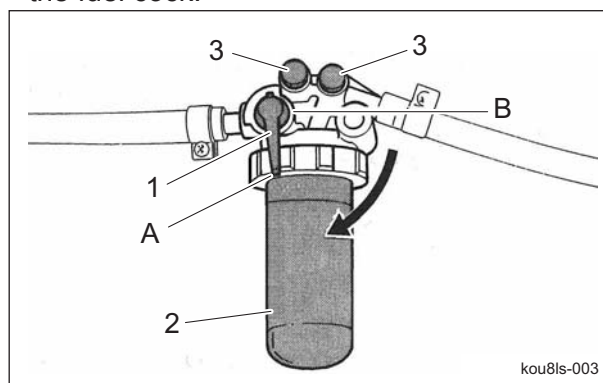
1	O-ring
2	Element
3	Cup
4	Ring nut

3. Clean the inside of the filter cup with diesel fuel.

### Important

While installing the fuel filter, prevent contamination with dirt or dust. The fuel contaminated with dirt or dust will cause engine failure.

4. Install a new fuel filter element, and then correctly install all parts in their original positions.  
5. Fill up the fuel tank with fuel, and then open the fuel cock.



Replacement of Fuel Filter Element\_003

1	Fuel cock
2	Fuel filter
3	Air-bleeding plug
A	ON (open)
B	OFF (close)

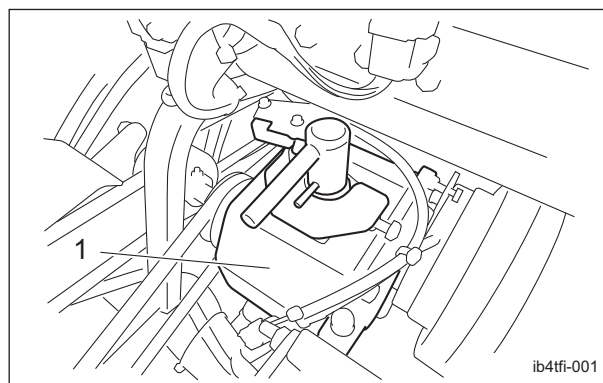
6. Remove air out of the fuel.

## Grease Change of Transmission

The transmission is located behind the driver's seat.

Change grease every two years.

Grease type	Pyronoc CC1
Grease quantity	400 g



Grease Change of Transmission\_001

# Maintenance

1	Transmission
---	--------------

## Change of Fuse

**Important**

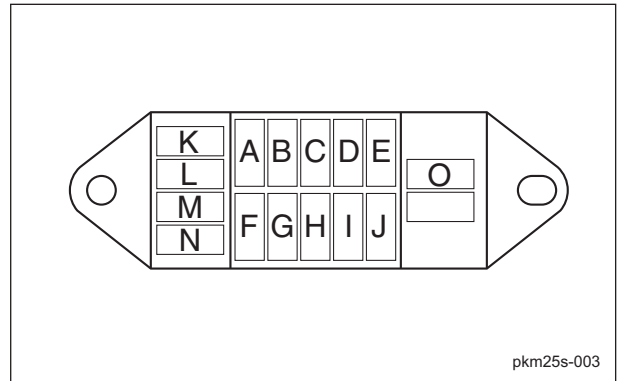
When performing maintenance on the electrical system, be sure to remove the negative battery wire.

**Important**

If a fuse blows, a short may have occurred within the electrical circuit. Check for the cause, such as faulty terminal connections, damaged wiring or terminals, or incorrect wiring.

**Important**

For fuse replacement, clean the fuse mounting area with use of compressed air before mounting the fuse.

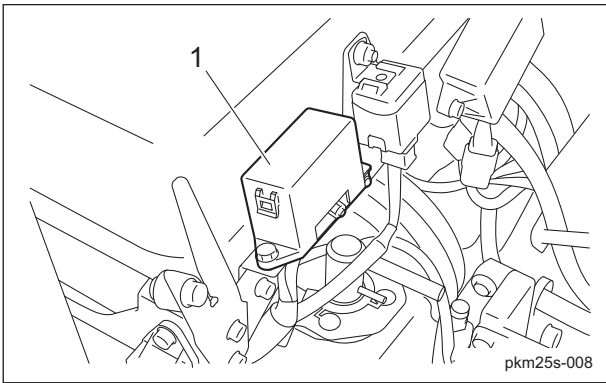


Fuse Box\_002

A	5 A	Glow lamp timer
B	5 A	Key stop timer
C	5 A	Glow lamp timer, glow lamp (thermo-start lamp)
D	-	-
E	-	-
F	15 A	Engine stop solenoid
G	15 A	Others
H	5 A	Water temperature gauge, regulator
I	-	-
J	-	-
K	5 A	Spare
L	5 A	
M	15 A	
N	15 A	
O		Fuse removal tool

## Fuse Box

The fuse box includes spare fuses and tools.



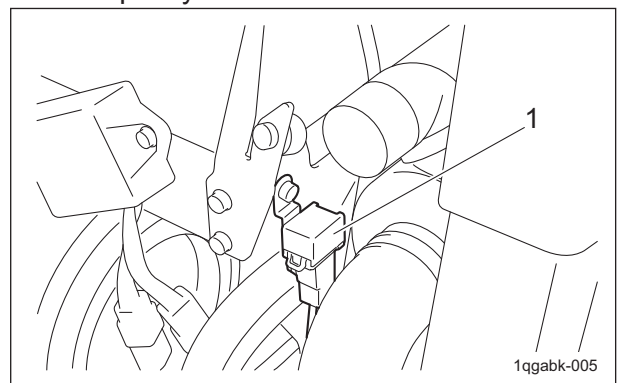
Fuse Box\_001

1	Fuse box
---	----------

The machine uses a mini fuse for automobiles. Replace an old fuse with a new fuse of the specified capacity.

## Fusible Link

Fuse capacity of the fusible link is 50A.



Fusible Link\_001

1	Fusible link
---	--------------

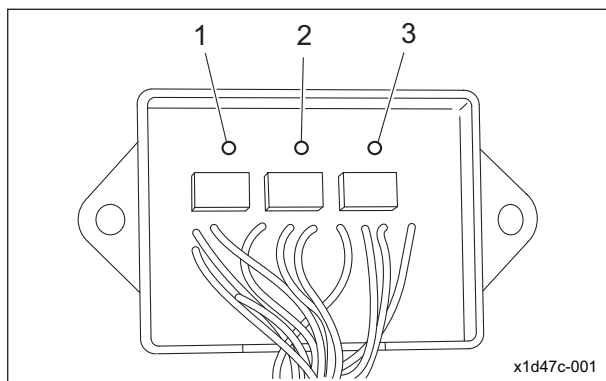


## Check The Operation Status of The Relay

### Mower Unit Control Relay

The relay box is located behind the seat. This controls Up/Down of the mower unit and Rotate/Stop of the reel cutter (cutting cylinder).

The operating condition can be checked by the illumination of the LEDs.



Mower Unit Control Relay\_001

Refer to the table below to check the LED status.

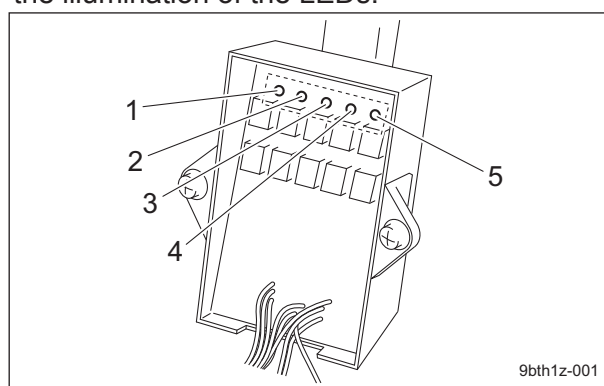
		Condition	LED status
1	Front right up/down cylinder (Reel rotation)	Down	ON
		Up	OFF
2	Center mower up/down cylinder (Before pressing Raise/Lower switch)	Up	ON
		Down	OFF
3	Center mower up/down cylinder (After pressing Raise/Lower switch)	Down	ON
		Up	OFF

### Interlock Relay

The relay box is located under the underseat cover.

This controls a safety device for starting/stopping the engine.

The operating condition can be checked by the illumination of the LEDs.



Interlock Relay\_001

Refer to the table below to check the LED status.

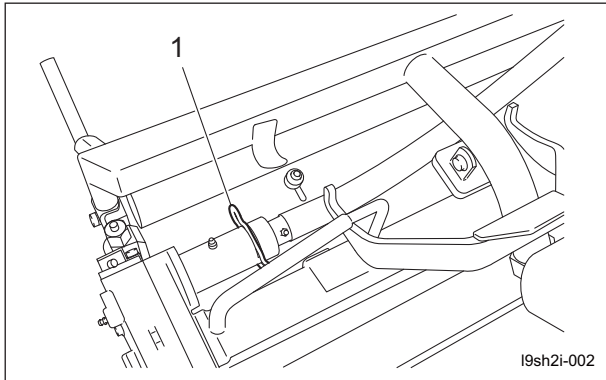
		Condition	LED status
1	Traveling pedal switch	Neutral	ON
		Depress	OFF
2	Parking brake switch	Pull	ON
		Release	OFF
3	Seat switch	Away	ON
		Seated	OFF
4	Reel rotation switch	ON	ON
		OFF	OFF
5	Transmission selector lever	LAP	ON
		H	OFF
		L	OFF

# Maintenance

---

## Removal of Mower Unit

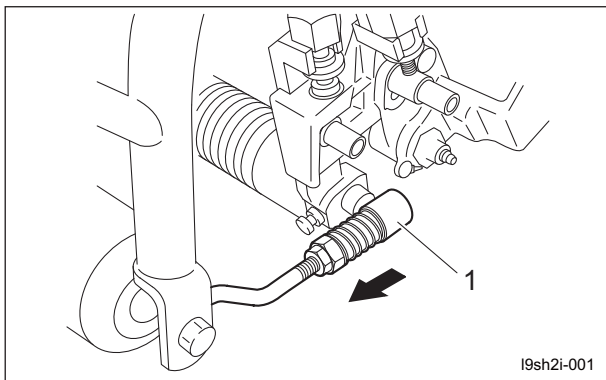
1. Remove the clip which fixes the mower unit and flexible wire.



Removal of Mower Unit\_001

1	Clip
---	------

2. Slide the stopper of the mower attaching pipe forward and pull it out.
3. Pull out the mower unit and remove it.



Removal of Mower Unit\_002

1	Stopper (right/left)
---	----------------------

### Note:

For installing the mower unit, reverse the removing procedure.

**EU Declaration of Conformity**

## Product Identification

Product : Lawnmower  
Brand-Name : BARONESS  
Type : LM315GC  
Starting Serial No. : **31537**  
Measured Sound Power Level : LWA 102.40 dB  
Guaranteed Sound Power Level : LWA 103 dB  
Manufacturer Name : Kyoeshia Co., Ltd.  
Address : 1-26 Miyuki-cho, Toyokawa, Aichi-pref., Japan

## Conforms to the following Directives

2006/42/EC Machinery (MD)  
2014/30/EU Electromagnetic compatibility (EMC)  
2000/14/EC Noise emissions from outdoor equipment

## We have been designed and manufactured under the following specifications

ISO 12100 : 2010 (2006/42/EC)  
ISO 5395-1 : 2013 (2006/42/EC)  
ISO 5395-3 : 2013 (2006/42/EC)  
ISO 14982 : 1998 (2014/30/EU)

## Keeper of Technical Documentation

Name : Kyoeshia Co., Ltd.  
Address : 1-26 Miyuki-cho, Toyokawa, Aichi-pref., Japan

## Compiler of the technical file (2006/42/EC)

Name : Friedrich E. Barthels Nachf. Glockzin KG (GmbH & Co.)  
Address : Gerhard-Falk-Str. 1 21035 Hamburg Germany

## Conformity assessment procedures

Internal production control : Module A (2006/42/EC)  
EC-type examination : Module B (2014/30/EU)  
Internal control of production with assessment of technical documentation and periodical checking (2000/14/EC)

## Involved Notified Body (2000/14/EC)

Name : TÜV SÜD Industrie Service GmbH  
Address : Westendstraße 199 80686 München  
Certificate : Notified Body NB0036 according 2000/14/EC

Place : Japan  
Date : 3 March 2022 (03 / 03 / 2022)

Signature :   
Name : Akio Hayashi  
Position : Quality Dept. Director

Traduction de la Déclaration de Conformité originale (fr)

**Déclaration de conformité UE**

## Identification du produit

Produit : Tondeuse à gazon  
Fabriquant : BARONESS  
Type : LM315GC  
Numéro de série de début : **31537**  
Niveau de puissance acoustique mesuré : LwA 102.40 dB  
Niveau de puissance acoustique garanti : LwA 103 dB  
Fabricant Nom : Kyoeshia Co., Ltd.  
Adresse : 1-26, Miyuki-cho, Toyokawa, préfecture d'Aichi, Japon

## Conforme aux directives suivantes :

2006/42/CE Machine (MD)  
2014/30/UE Compatibilité électromagnétique (CEM)  
2000/14/CE Émissions sonores de l'équipement de plein air

## Conception et fabrication en respect des spécifications suivantes :

ISO 12100 : 2010 (2006/42/CE)  
ISO 5395-1 : 2013 (2006/42/CE)  
ISO 5395-3 : 2013 (2006/42/CE)  
ISO 14982 : 1998 (2014/30/UE)

## Fiche technique

Marque : Kyoeshia Co., Ltd.  
Adresse de la marque : 1-26, Miyuki-cho, Toyokawa, préfecture d'Aichi, Japon

## Compilateur de la fiche technique (2006/42/CE)

Nom : Friedrich E. Barthels Nachf. Glockzin KG (GmbH & Co.)  
Adresse : Gerhard-Falk-Str. 1 21035 Hambourg Allemagne

## Procédures d'évaluation de la conformité

Contrôle de production interne : module A (2006/42/CE)  
Examen de type CE : module B (2014/30/UE)  
Contrôle interne de la production avec évaluation de la fiche technique et vérification périodique (2000/14/CE)

## Organisme notifié impliqué (2000/14/CE)

Nom : TÜV SÜD Industrie Service GmbH  
Adresse : Westendstraße 199 80686 München  
N° de certificat : Notified Body NB0036 according 2000/14/EC

**Declaración de conformidad de la UE**

## Identificación del producto

Producto: Cortacésped  
 Marca: BARONESS  
 Tipo: LM315GC  
 N.º de serie inicial: **31537**  
 Nivel de potencia sonora medido: LWA 102.40 dB  
 Nivel de potencia sonora garantizado: LWA 103 dB  
 Fabricante Nombre: Kyoisha Co., Ltd.  
 Dirección: 1-26 Miyuki-cho, Toyokawa, Aichi-pref., Japón

## Cumple las siguientes Directivas

2006/42/CE Maquinaria (MD)  
 2014/30/UE Compatibilidad electromagnética (EMC)  
 2000/14/CE Emisiones sonoras de máquinas de uso al aire libre

## Se ha diseñado y fabricado utilizando las siguientes especificaciones

ISO 12100 : 2010 (2006/42/CE)  
 ISO 5395-1 : 2013 (2006/42/CE)  
 ISO 5395-3 : 2013 (2006/42/CE)  
 ISO 14982 : 1998 (2014/30/UE)

## Documentación técnica

Nombre del responsable: Kyoisha Co., Ltd.  
 Dirección del responsable: 1-26 Miyuki-cho, Toyokawa, Aichi-pref., Japón

## Compilador del archivo técnico (2006/42/CE)

Nombre: Friedrich E. Barthels Nachf. Glockzin KG (GmbH & Co.)  
 Dirección: Gerhard-Falk-Str. 1 21035 Hamburg Alemania

## Procedimientos de evaluación de conformidad

Control de fabricación interno: Módulo A (2006/42/CE)  
 Examen de tipo CE: Módulo B (2014/30/UE)  
 Control interno de fabricación con evaluación de documentación técnica y comprobaciones periódicas (2000/14/CE)

## Organismo notificado implicado (2000/14/CE)

Nombre: TÜV SÜD Industrie Service GmbH  
 Dirección: Westendstraße 199 80686 München  
 Certificado: Notified Body NB0036 according 2000/14/EC

**EU-Konformitätserklärung**

## Produktbeschreibung

Produkt: Rasenmäher  
 Marke: BARONESS  
 Modell: LM315GC  
 Startseriennummer: **31537**  
 Gemessener Schalleistungspegel: LWA 102.40 dB  
 Garantierter Schalleistungspegel: LWA 103 dB  
 Hersteller Name: Kyoisha Co., Ltd.  
 Adresse: 1-26 Miyuki-cho, Toyokawa, Aichi-pref., Japan

## Entspricht den folgenden Richtlinien

2006/42/EG Maschinenrichtlinie  
 2014/30/EU Elektromagnetische Verträglichkeit (EMV)  
 2000/14/EG Geräuschemission von im Freien betriebenen Geräten

## Unter Anwendung der folgenden Bestimmungen entwickelt und hergestellt

ISO 12100 : 2010 (2006/42/EG)  
 ISO 5395-1 : 2013 (2006/42/EG)  
 ISO 5395-3 : 2013 (2006/42/EG)  
 ISO 14982 : 1998 2014/30/EU)

## Technische Dokumentation

Name des Halters: Kyoisha Co., Ltd.  
 Adresse des Halters: 1-26 Miyuki-cho, Toyokawa, Aichi-pref., Japan

## Technische Unterlagen erstellt von (2006/42/EG)

Name: Friedrich E. Barthels Nachf. Glockzin KG (GmbH & Co.)  
 Adresse: Gerhard-Falk-Str. 1 21035 Hamburg Deutschland

## Konformitätsbewertungsverfahren

Interne Produktionskontrolle : Modul A (2006/42/EG)  
 EG-Baumusterprüfung : Modul B (2014/30/EU)  
 Interne Produktionskontrolle mit Bewertung der technischen Unterlagen und regelmäßiger Überprüfung (2000/14/EG)

## Beteiligte benannte Stelle (2000/14/EG)

Name: TÜV SÜD Industrie Service GmbH  
 Adresse : Westendstraße 199 80686 München  
 Bescheinigung. : Notified Body NB0036 according 2000/14/EC

**EU-försäkran om överensstämmelse**

## Produktidentifikation

Produkt : Grasklippare  
 Märke: BARONESS  
 Typ: LM315GC  
 Serienummer startar på: **31537**  
 Uppmått ljudeffektnivå: LWA 102.40 dB  
 Garanterad ljudeffektnivå: LWA 103 dB  
 Tillverkare Namn: Kyoisha Co., Ltd.  
 Adress: 1-26 Miyuki-cho, Toyokawa, Aichi-pref., Japan

## Uppfyller följande direktiv

2006/42/EG Maskindirektivet  
 2014/30/EU Elektromagnetisk kompatibilitet (EMC)  
 2000/14/EG Bulleremission från utomhusutrustning

## Följande kravspecifikationer har följts vid konstruktion och tillverkning

ISO 12100 : 2010 (2006/42/EG)  
 ISO 5395-1 : 2013 (2006/42/EG)  
 ISO 5395-3 : 2013 (2006/42/EG)  
 ISO 14982 : 1998 (2014/30/EU)

## Teknisk dokumentation

Innehavarens namn: Kyoisha Co., Ltd.  
 Innehavarens adress: 1-26 Miyuki-cho, Toyokawa, Aichi-pref., Japan

## Den tekniska filen(2006/42/EG) har tagits fram av

Namn: Friedrich E. Barthels Nachf. Glockzin KG (GmbH & Co.)  
 Adress: Gerhard-Falk-Str. 1 21035 Hamburg Tyskland

## Förfarande för bedömning av överensstämmelse

Intern produktionskontroll: Modul A (2006/42/EG)  
 EG-typprovning: Modul B (2014/30/EU)  
 Intern kontroll av produktion med fastställande av teknisk dokumentation och periodiska kontroller (2000/14/EG)

## Anmält organ (2000/14/EG)

Namn: TÜV SÜD Industrie Service GmbH  
 Adress: Westendstraße 199 80686 München  
 Certifikat : Notified Body NB0036 according 2000/14/EC

**EU-overensstemmelseserklæring**

## Produktidentificering

Produkt : Plæneklipper  
 Mærkenavn: BARONESS  
 Type: LM315GC  
 Startende serienr.: **31537**  
 Målt lydeffektniveau: LWA 102.40 dB  
 Garanteret lydeffektniveau: LWA 103 dB  
 Producent Navn: Kyoisha Co., Ltd.  
 Adresse: 1-26 Miyuki-cho, Toyokawa, Aichi-præf.,Japan

## Er i overensstemmelse med følgende direktiver

2006/42/EF Maskineri (MD)  
 2014/30/EU Elektromagnetisk kompatibilitet (EMC)  
 2000/14/EF Støjmissioner fra udendørs udstyr

## Vi har designet og produceret under følgende specifikationer

ISO 12100 : 2010 (2006/42/EF)  
 ISO 5395-1 : 2013 (2006/42/EF)  
 ISO 5395-3 : 2013 (2006/42/EF)  
 ISO 14982 : 1998 (2014/30/EU)

## Indehaver af teknisk dokumentation

Navn: Kyoisha Co., Ltd.  
 Adresse: 1-26 Miyuki-cho, Toyokawa, Aichi-præf.,Japan

## Kompilator af den tekniske fil (2006/42/EF)

Navn: Friedrich E. Barthels Nachf. Glockzin KG (GmbH & Co.)  
 Adresse: Gerhard-Falk-Str. 1 21035 Hamburg Tyskland

## Procedurer for overensstemmelsesvurdering

Intern produktionskontrol : Modul A (2006/42/EF)  
 EF-typeafprøvning : Modul B (2014/30/EU)  
 Intern fabrikationskontrol med vurdering af teknisk dokumentation og periodisk kontrol (2000/14/EF)

## Berørt bemyndiget organ (2000/14/EF)

Navn: TÜV SÜD Industrie Service GmbH  
 Adresse: Westendstraße 199 80686 München  
 Certifikat : Bemyndiget organ NB0036 ifølge 2000/14/EF

**BARONESS**<sup>®</sup>  
Quality on Demand

 **KYOEISHA CO., LTD.**  
Head Office 1-26, Miyuki-cho, Toyokawa-city, Tel :+81-533-84-1390  
Aichi-pref, 442-8530 JAPAN Fax:+81-533-84-1220