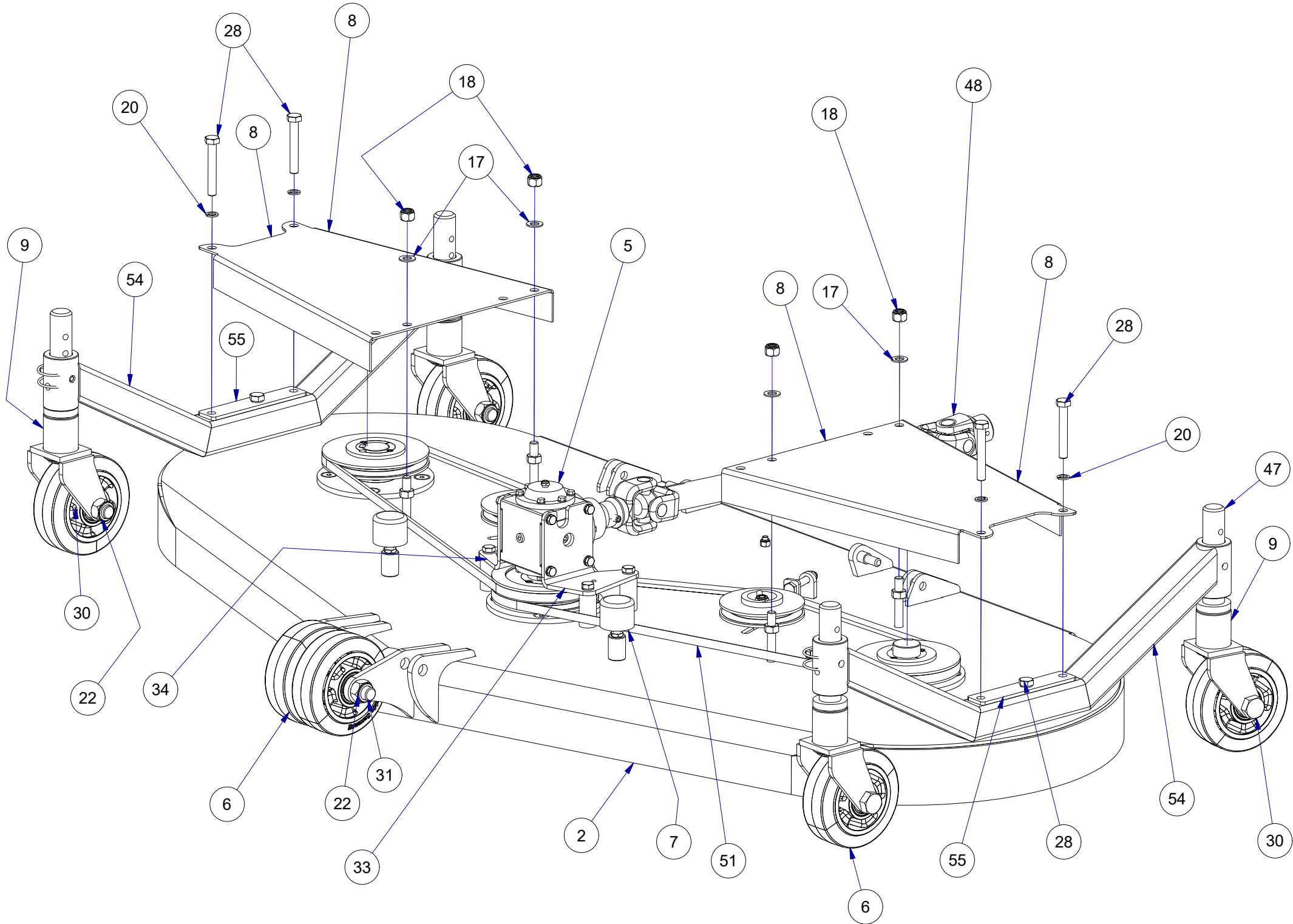
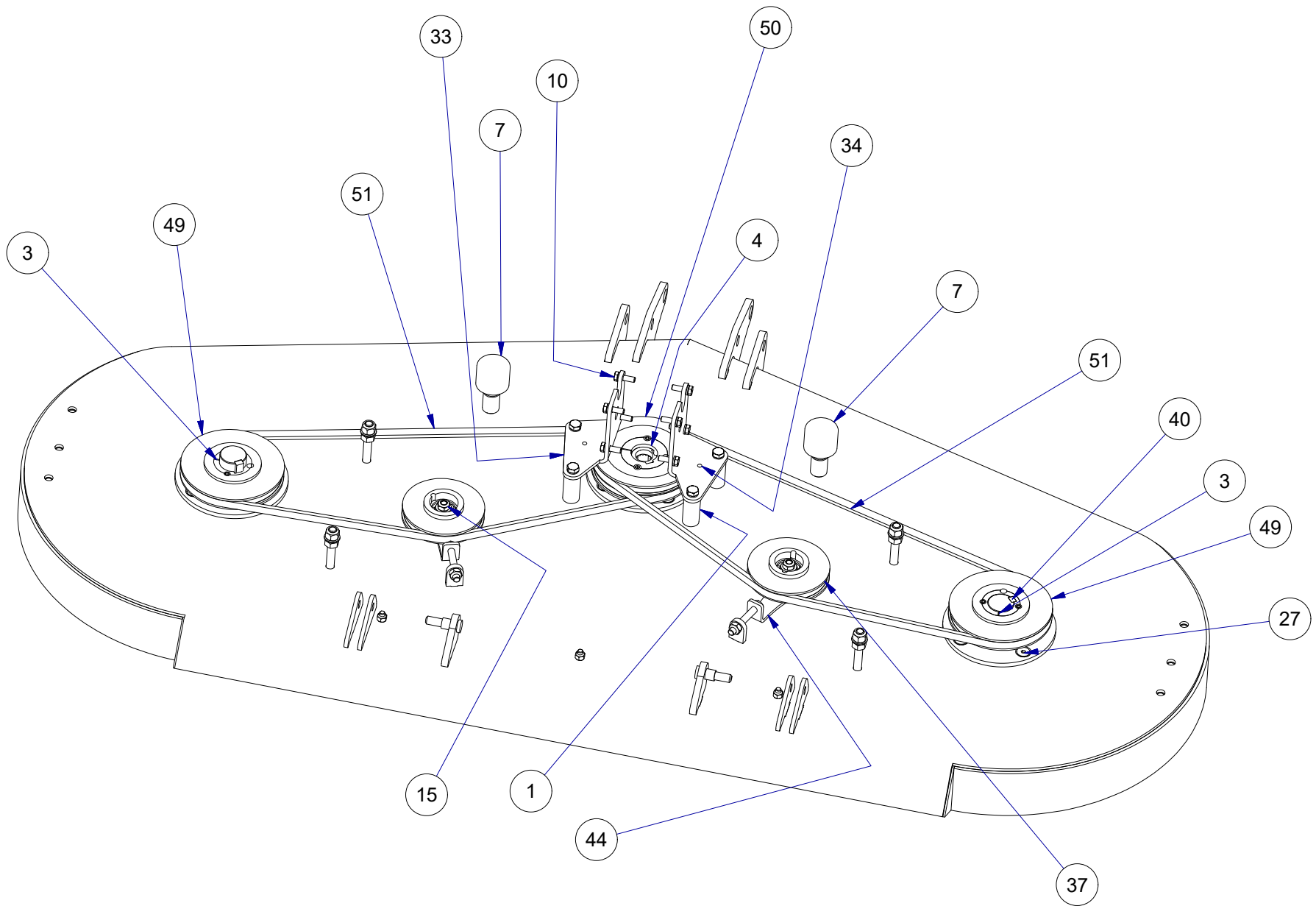
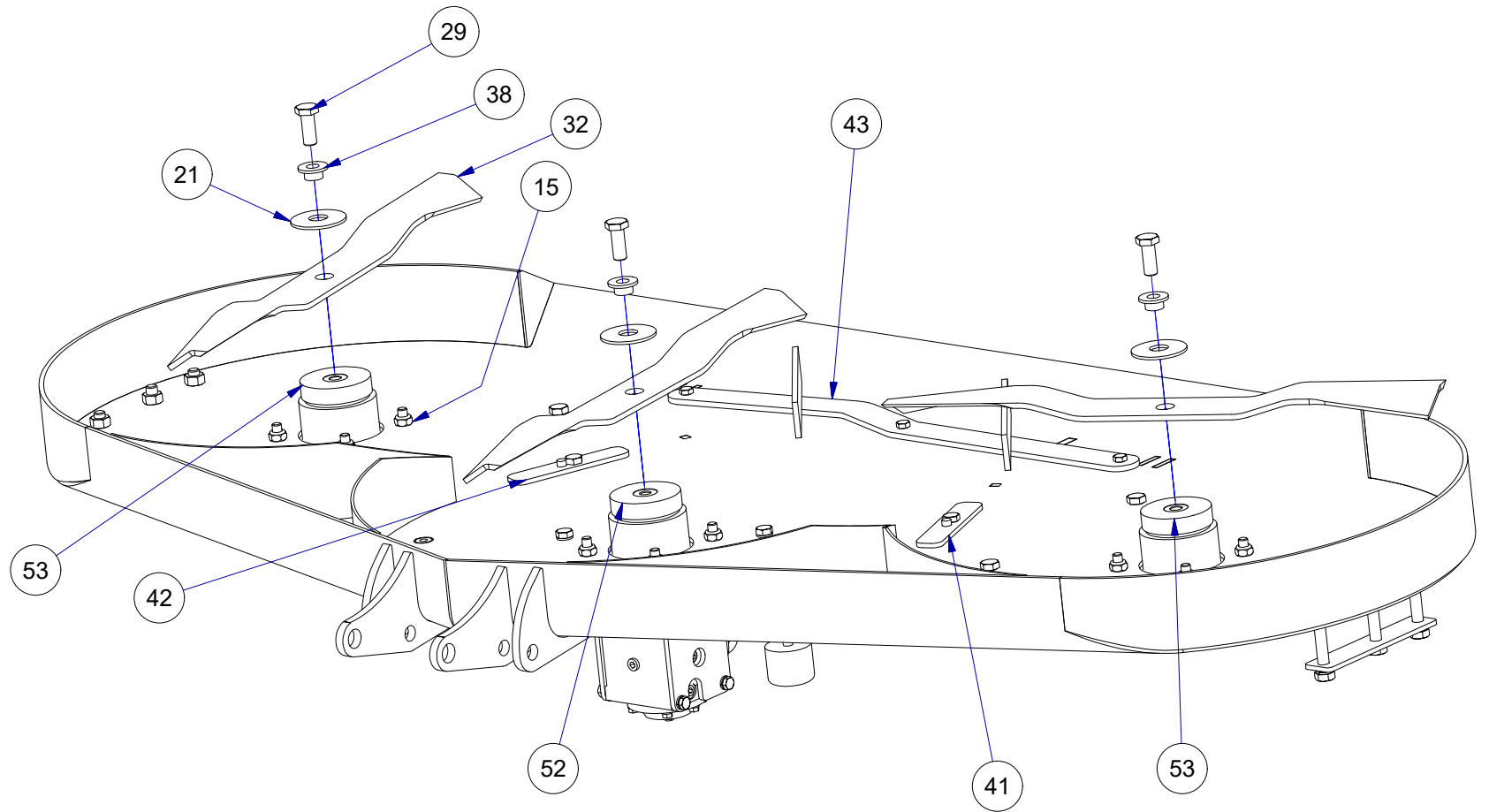


BMM180BAR PARTS LIST				BMM180BAR PARTS LIST			
ITEM	QTY	PART NUMBER	DESCRIPTION	ITEM	QTY	PART NUMBER	DESCRIPTION
1	4	25BDMS50DT	GEARBOX MOUNTING STANCHION	29	3	F14035SMF	M14x35x1.5 Set
2	1	72MOWDECK8	72 REAR DISCHARGE MOWER DECK BARONESS (DECK ONLY)	30	4	F20100BSC	M20 X 100 BOLT SELF COLOUR
3	2	1610TLB40	1610 TAPER LOCK BUSH 40MM ID	31	1	F20170B	Hex-Head Bolt
4	1	2012TLB40	1610 TAPER LOCK BUSH 40MM ID	32	3	G01819	24" BLADE
5	1	949065	GEARBOX 200C 1:1.5 RATIO CCW IN CCW OUT 1" SPLINED SHAFT	33	1	GBMB03L	GEARBOX MOUNTING BRKT L/HAND
6	6	ALEV150	5" WHEEL	34	1	GBMB03R	GEARBOX MOUNTING BRKT R/HAND
7	2	BSM10	BUMP STOP	35	4	GFM-3236-16	FLANGED GREASLESS BUSH
8	2	COVBAR01	BELT COVER	36	4	GSM-3236-30	GREASLESS BUSH
9	4	CYB01	CASTOR YOKE	37	2	IDLERSPA118	SPA IDLER PULLEY
10	8	F5/16-1NCS	HT SET 5/16" UNC X 1"	38	3	MOW05BR	BLADE SPACER (M14)
11	3	F08NN	NUT NYLOC M8	39	1	MOW06KEY	8MM SQUARE KEY TAPER LOCK TO SPINDLE
12	8	F08SW	M8 SPRING WASHER	40	2	MOW09KEY	12 X 8 X 62 KEY
13	2	F10LN	M10 Lock Nut	41	1	MOW02015	TENSIONER LOCK PLATE
14	4	F10LP	LYNCH PIN 8MM X 50 (PIPE TYPE)	42	1	MOW02039	TENSIONER LOCK PLATE
15	16	F10NN	NUT NYLOC M10	43	1	MOW04021	GRASS GUIDE
16	8	F10SW	M10 SPRING WASHER	44	1	MOW04062	TENSION ADJUSTER
17	4	F12FWHD	WASHER HEAVY DUTY M12	45	1	MOW04063	TENSION ADJUSTER
18	4	F12NN	NUT NYLOC M12	46	2	MOW04064	WASHER
19	4	F12NP	M12 NUT PLAIN	47	4	PN212	WHEEL CARRIER PIVOT PIN
20	6	F12SW	M12 Spring Washer	48	1	PTOBAR01	POWER TAKE OFF SHAFT
21	3	F20BW	BELLEVILLE WASHER	49	2	PULSPA1501G	SPA V-BELT PULLEY 1 GROOVE
22	5	F20NN	NUT NYLOC M16	50	1	PULSPA1502G	SPA V-BELT PULLEY 2 GROOVE
23	4	F32MMEXC	EXTERNAL CER-CLIP	51	2	SPA1732	DRIVE BELT
24	1	F08025S	M8 X 25 SET	52	1	SPINDLEASSYDV4S	INNER BSPINDLE ASSEMBLY WITH SPLINED SHAFT
25	1	F10016GS	M10 X 16MM GRUBSCREWS	53	2	SPINDLEASSYV4	OUTER SPINDLE ASSEMBLY
26	8	F10020S	M10 SET	54	2	WCB01	WHEEL CARRIER
27	12	F10030SCSH	M10X30 C/SUNK SCREW	55	2	WCR01	WHEEL CARRIER RETAINER
28	6	F12080B	M12x80 BOLT				

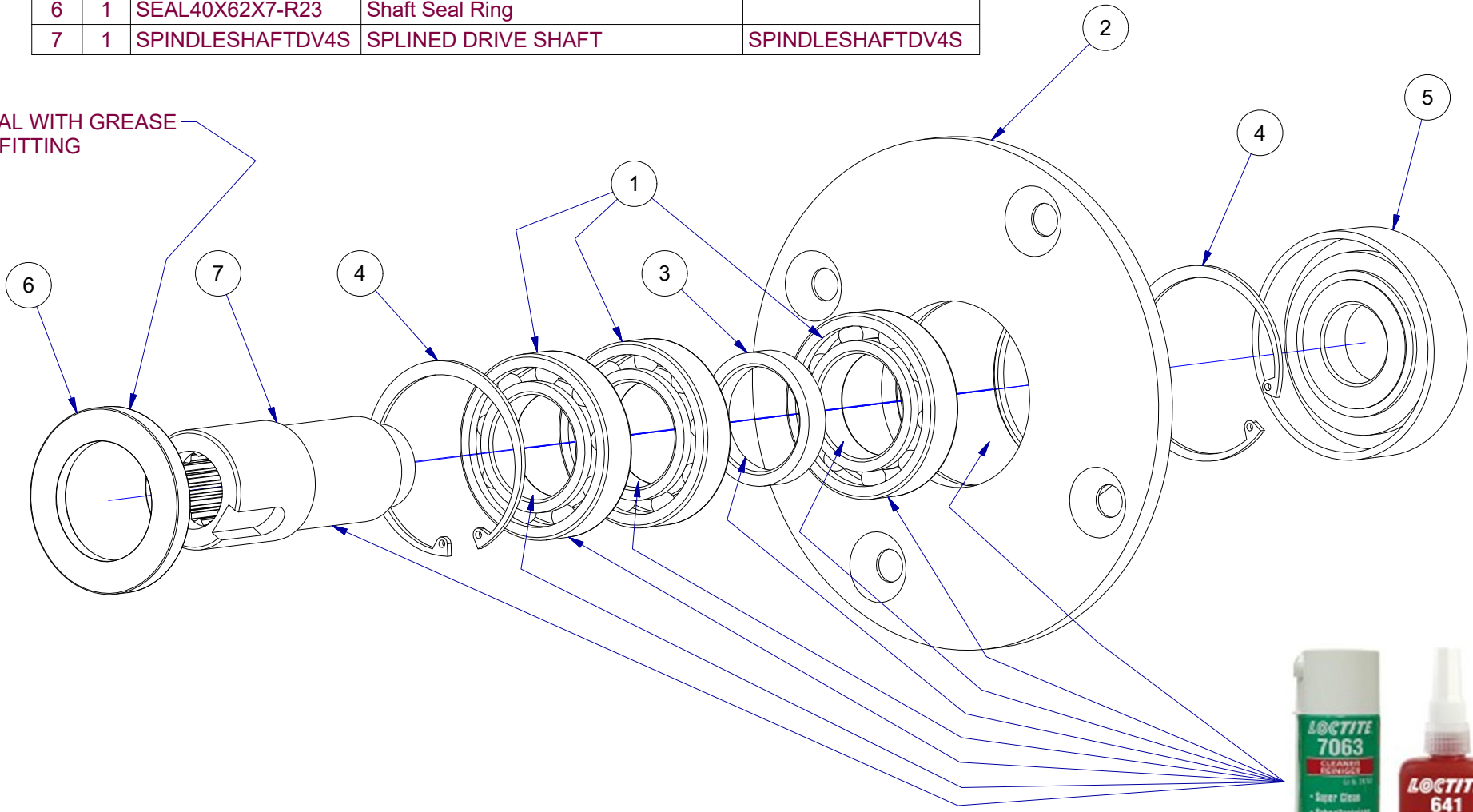






SPINDLEASSYDV4S				
ITEM	QTY	PART NUMBER	DESCRIPTION	DRAWING No.
1	3	BEA6007-2RS1	Deep Groove Sealed Ball Bearing	
2	1	BEARHOUSEV4	Bearing housing	BEARHOUSEV4
3	1	BEARSPCR2	bearing spacer	BEARSPCR2
4	2	F62IC	62 X 2 INTERNAL CIR-CLIP	
5	1	MOW06BB	BLADE BOSS	MOW06BB
6	1	SEAL40X62X7-R23	Shaft Seal Ring	
7	1	SPINDLESHAFTDV4S	SPLINED DRIVE SHAFT	SPINDLESHAFTDV4S

PACK SEAL WITH GREASE BEFORE FITTING



Parts List					
ITEM	QTY	PART NUMBER	DESCRIPTION	LENGTH	DRAWING No.
1	3	BEA6007-2RS1	Deep Groove Sealed Ball Bearing		
2	1	BEARHOUSEV4	BEARING HOUSING		
3	1	BEARSPCR2	BEARING SPACER FOR NEW TYPE HOUSING (MOWERS)		
4	2	F62IC	62 X 2 INTERNAL CIR-CLIP		
5	1	MOW06BB	BLADE BOSS	18.0 mm	MOW06BB
6	1	SEAL40X62X7-R23	ROTARY SHAFT DOUBLE LIP SEAL 40 X 62 X 7		
7	1	SPINDLESHAFTV4	SPINDLE		SPINDLESHAFTV4

