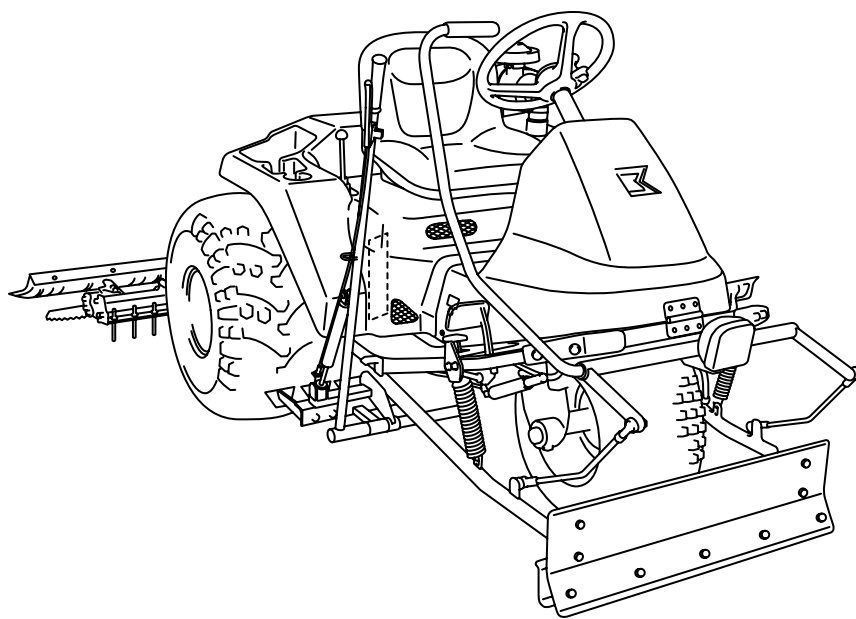


SP05A

Bunker Rake

Parts catalog



BARONESS[®]
Quality on Demand

Serial No. SP05A : 21029-

Ver.1.6

Greeting

Thank you for purchasing Baroness machine.

This machine has been shipped from the factory after comprehensive test runs and inspections. However, the optimum performance of the machine depends on how you use and maintain it, including routine inspections, adjustments, and fuel supplies before and after the operation.

We hope you will use the machine safely, and take advantage of its best performance.

Note

(For inquiry about this machine)

Since the type of machine may be changed sequentially, inform us of the type and the serial number.

The information described in this manual is subject to change without prior notice.

When replacing parts, be sure to use Baroness parts or parts designated by Kyoisha.

Note that the Baroness product warranty may not apply to defects caused by the use of parts from other companies.

(For ordering parts)

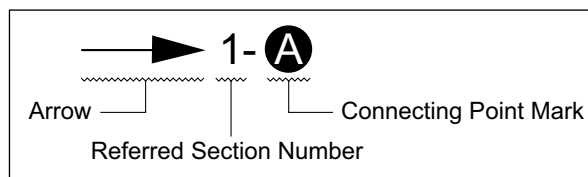
For prevention of delivery of wrong parts, be sure to inform us of the code number and the part name.

Example:	Code No.	Part Name	Qty
	K0200100002	WASHER, SPRING M10	8

<Indication of the connecting point shown on the other page>

(Example and description)

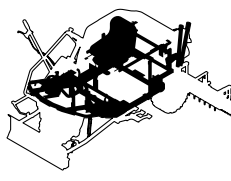
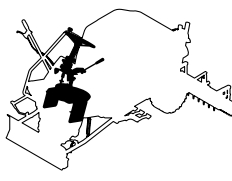
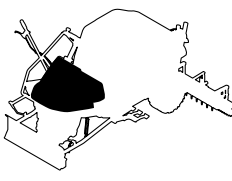
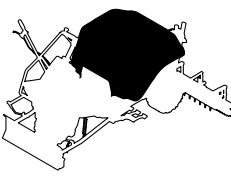
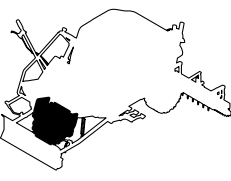
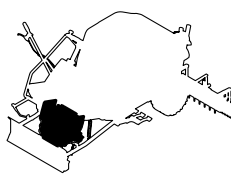
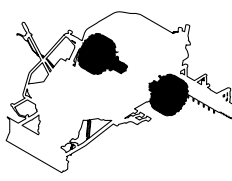
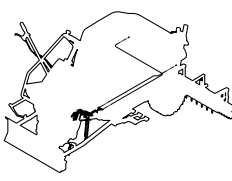
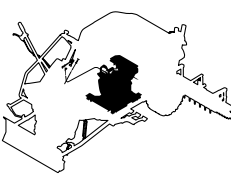
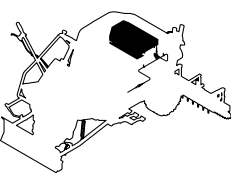
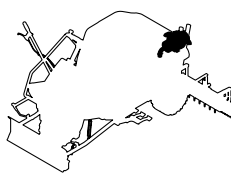
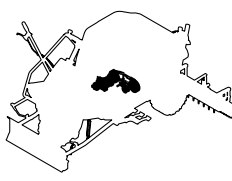
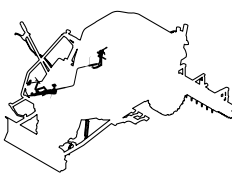
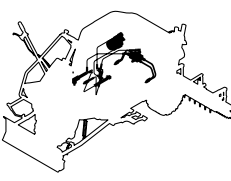
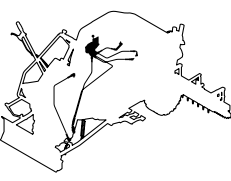
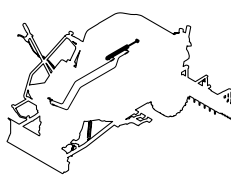
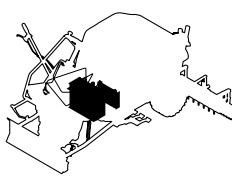
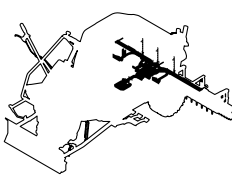
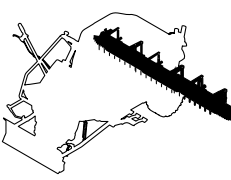
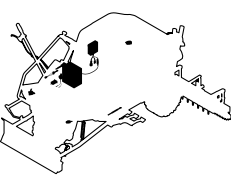
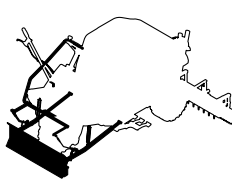
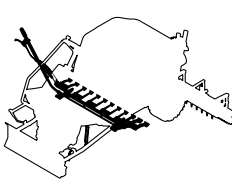
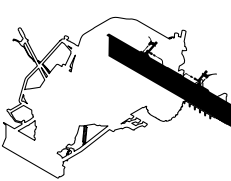
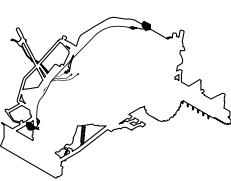
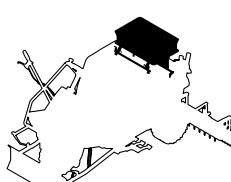
The following indication shows the connecting point of the part shown on the other page.

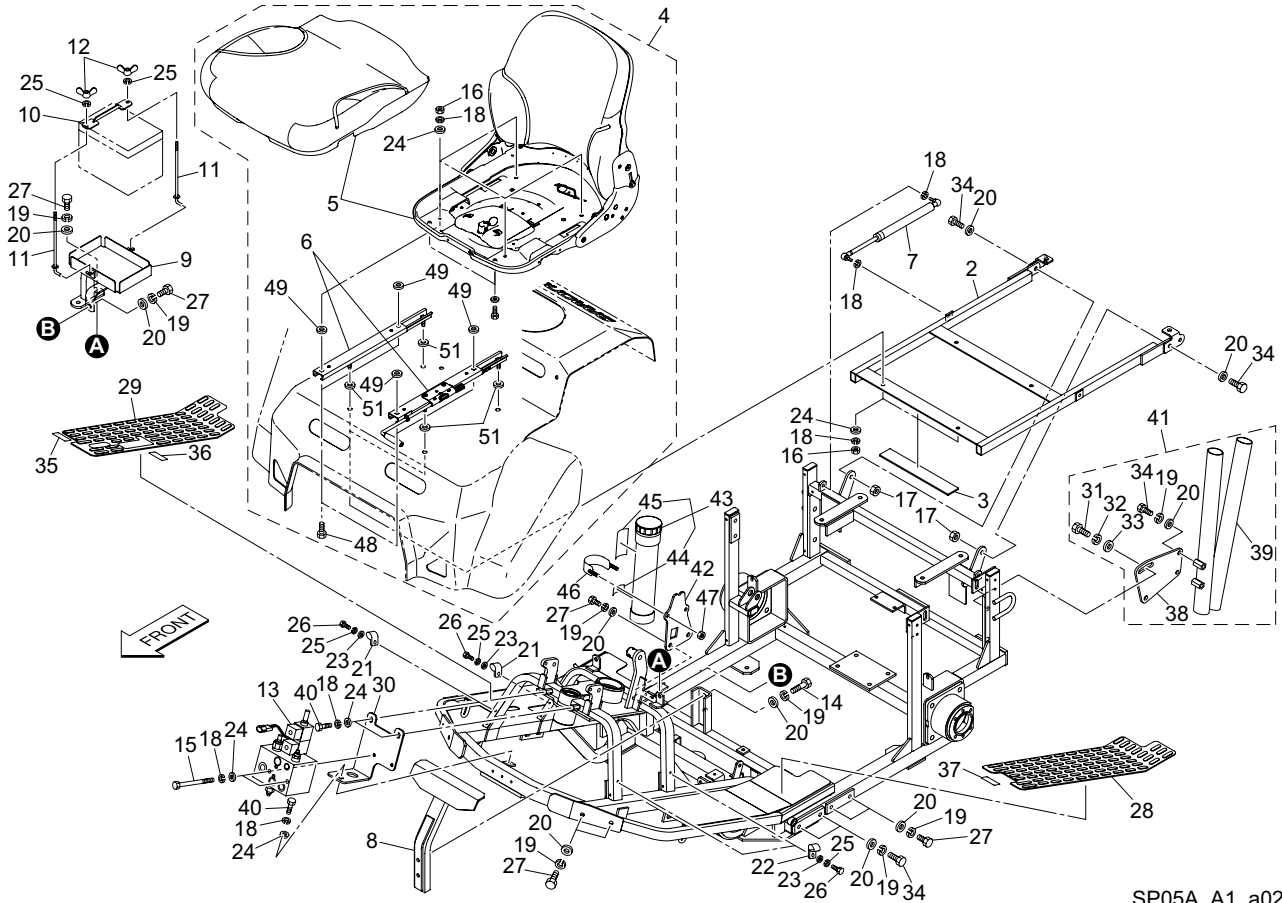


→ 1- **A** : Refer to the point **A** in the illustration of the section No.1

→ 2- **B** : Refer to the point **B** in the illustration of the section No.2

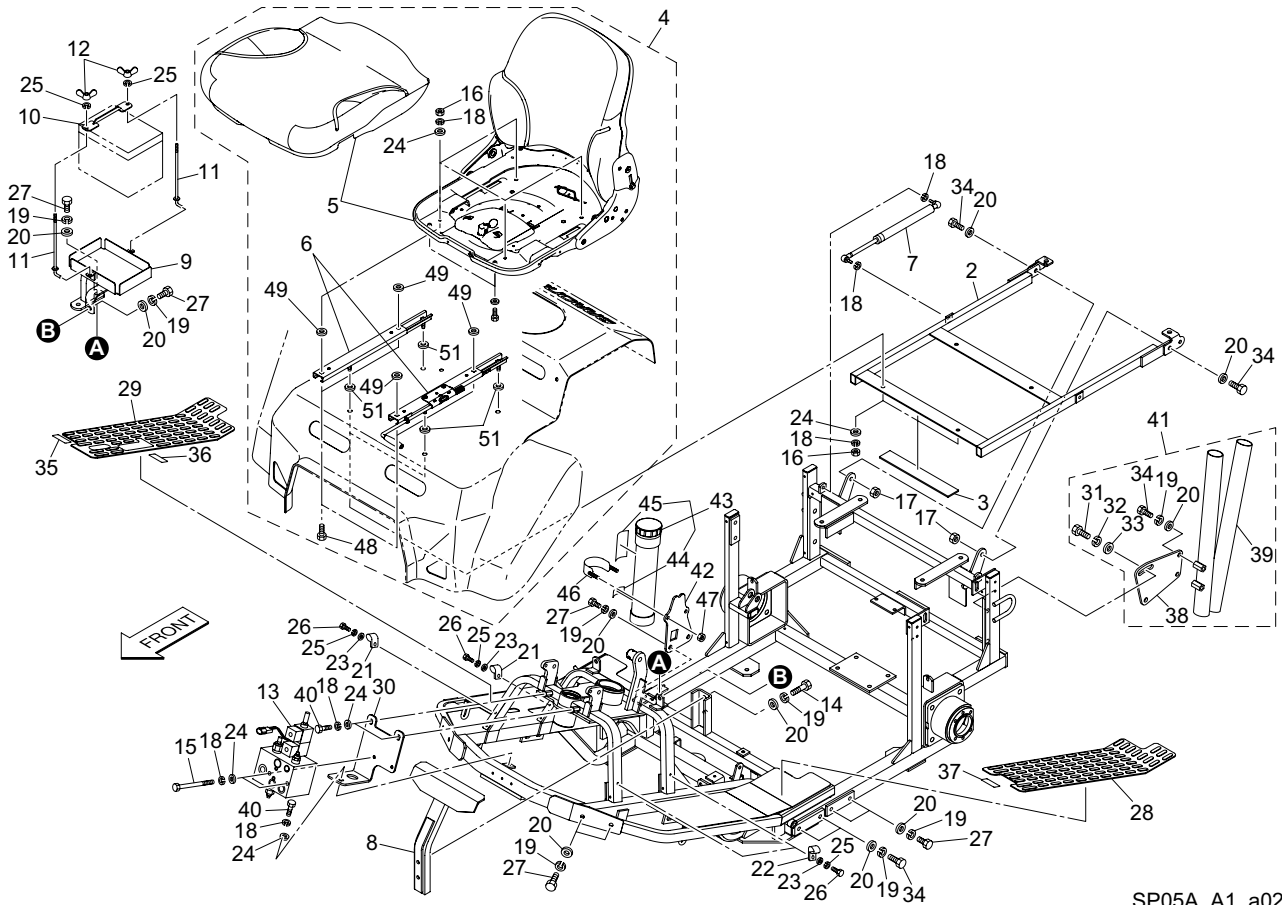
Contents

<p>A1. Frame section4</p> 	<p>2. Steering section6</p> 	<p>3. Front Cover section8</p> 	<p>4. Rear Cover section10</p> 	<p>A5. Front wheel section A for 2WD11</p> 
<p>B5. Front wheel section B for 3WD12</p> 	<p>6. Rear wheel section14</p> 	<p>7. Brake section16</p> 	<p>8. Engine section A (Engine)18</p> 	<p>9. Engine section B (Fuel tank)20</p> 
<p>10. Engine section C (Air cleaner)21</p> 	<p>11. Traveling connection section A22</p> 	<p>12. Traveling connection section B24</p> 	<p>13. Hydraulic section A (Traveling related parts)26</p> 	<p>14. Hydraulic section B (Switching valve) for 3WD28</p> 
<p>15. Hydraulic section C (Cylinder)30</p> 	<p>16. Hydraulic section D31</p> 	<p>17. Rake section A33</p> 	<p>18. Rake section B35</p> 	<p>19. Electrical section37</p> 
<p>20. Accessories39</p>	<p>21. Front blade section40</p> 	<p>22. Sand cultivator section42</p> 	<p>23. Finishing brush section43</p> 	<p>24. Light section44</p> 
<p>25. Cargo box KIT section45</p> 				



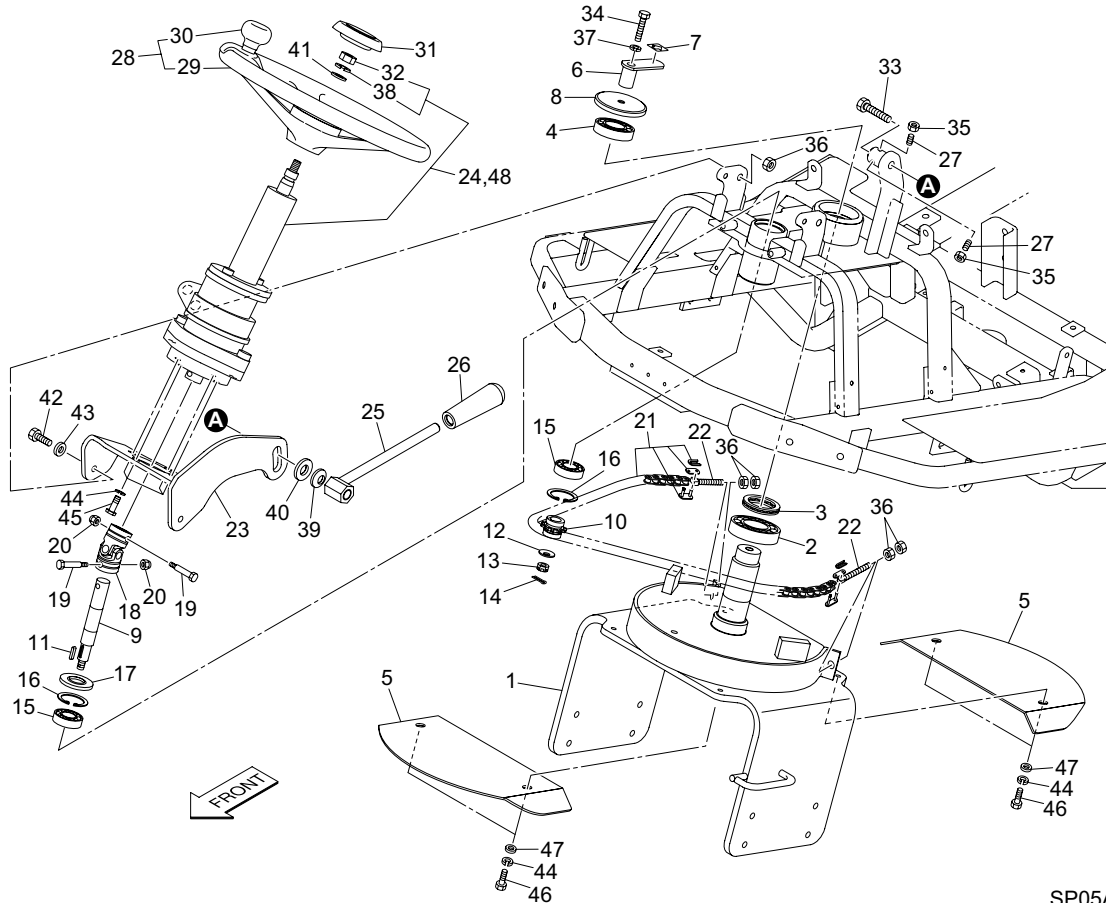
SP05A_A1_a02

Cat No.	Code No.	Part name	Qty	Remark	SN of application
A1 - 1					
A1 - 2	SP05---0102CD	BASE, SEAT	1		
A1 - 3	K4033000520	RUBBER, PLATE 4-40260	1		
A1 - 4	K1700000510	SEAT, SGA NC W/RAIL	1		
A1 - 5	K1700000450	SEAT, SGA 18210 NC	1		
A1 - 6	K1701000170	RAIL, SLIDE SGA	1		
A1 - 7	K3381000020	GAS-SPRING, C20	1		
A1 - 8	SP05---0103ZD	HOLDER, SEAT BASE	1		
A1 - 9	SP05---0104BD	BASE, BATTERY	1		
A1 - 10	SP05---0105AD	CLAMPER, BATTERY	1		
A1 - 11	SP05---0106B2	SCREW, HOLDING BATTERY	2		
A1 - 12	K0141060002	NUT, WING M6-3	2		
A1 - 13	K3313000320	VALVE, SOLENOID MODULE	1		
A1 - 14	K0000100402	BOLT, M10-40	2		
A1 - 15	K0003081002	BOLT, M8-100	2		
A1 - 16	K0100080002	NUT, M8	8		
A1 - 17	K0100100002	NUT, M10	2		
A1 - 18	K0200080002	WASHER, SPRING M8	15		
A1a- 19	K0200100002	WASHER, SPRING M10	19		
A1a- 20	K5000100002	WASHER, M10	21		
A1 - 21	K4270030080	CLIP, HARNESS 30 M8	2		
A1 - 22	K4270050080	CLIP, HARNESS 50 M8	2		
A1 - 23	K5000060002	WASHER, M6	4		
A1 - 24	K5000080002	WASHER, M8	13		
A1 - 25	K0200060002	WASHER, SPRING M6	6		
A1 - 26	K0000060152	BOLT, M6-15	4		
A1a- 27	K0000100202	BOLT, M10-20	11		
A1 - 28	SP05---0121Z0	MAT, STEP (LH)	1		
A1 - 29	SP05---0120Z0	MAT, STEP (RH)	1		
A1 - 30	SP05---0114ZD	BRACKET, VALVE	1		



SP05A_A1_a02

Cat No.	Code No.	Part name	Qty	Remark	SN of application
A1 - 31	K0000120202	BOLT, M12-20	2		
A1 - 32	K0200120002	WASHER, SPRING M12	2		
A1 - 33	K5000120002	WASHER, M12	2		
A1 - 34	K0000100302	BOLT, M10-30	8		
A1 - 35	K4203001430	DECAL, FORWARD	1		
A1 - 36	K4203001440	DECAL, BACKWARD	1		
A1 - 37	K4203001450	DECAL, BRAKE	1		
A1 - 38	SP05---0109AD	PLATE, MOUNTING BROOM STAND	1		
A1 - 39	SP05---0110ZD	STAND, BROOM	1		
A1 - 40	K0000080152	BOLT, M8-15	3		
A1 - 41	SP05---0115Z0	STAND ASSY, BROOM	1		
A1a - 42	SP05---2124ZD	BRACKET, MANUAL CASE	1		
A1a - 43	K5920000130	CASE, FOR MANUALS	1		
A1a - 44	K4209001300	DECAL, OWNERS MANUAL	1		
A1a - 45	K4205001560	DECAL, READ OWNERS MANUAL	1		
A1a - 46	SP05---2125Z2	BAND	1		
A1a - 47	K0144080002	NUT, W/F-RING M8	2		
A1 - 48	K0000080252	BOLT, M8-25	4		
A1 - 49	K5074510262	WASHER, SPHC 4.5-10-26	4		
A1 - 50					
A1 - 51	K5012308262	WASHER, SPCC 2.3-8-26	4		

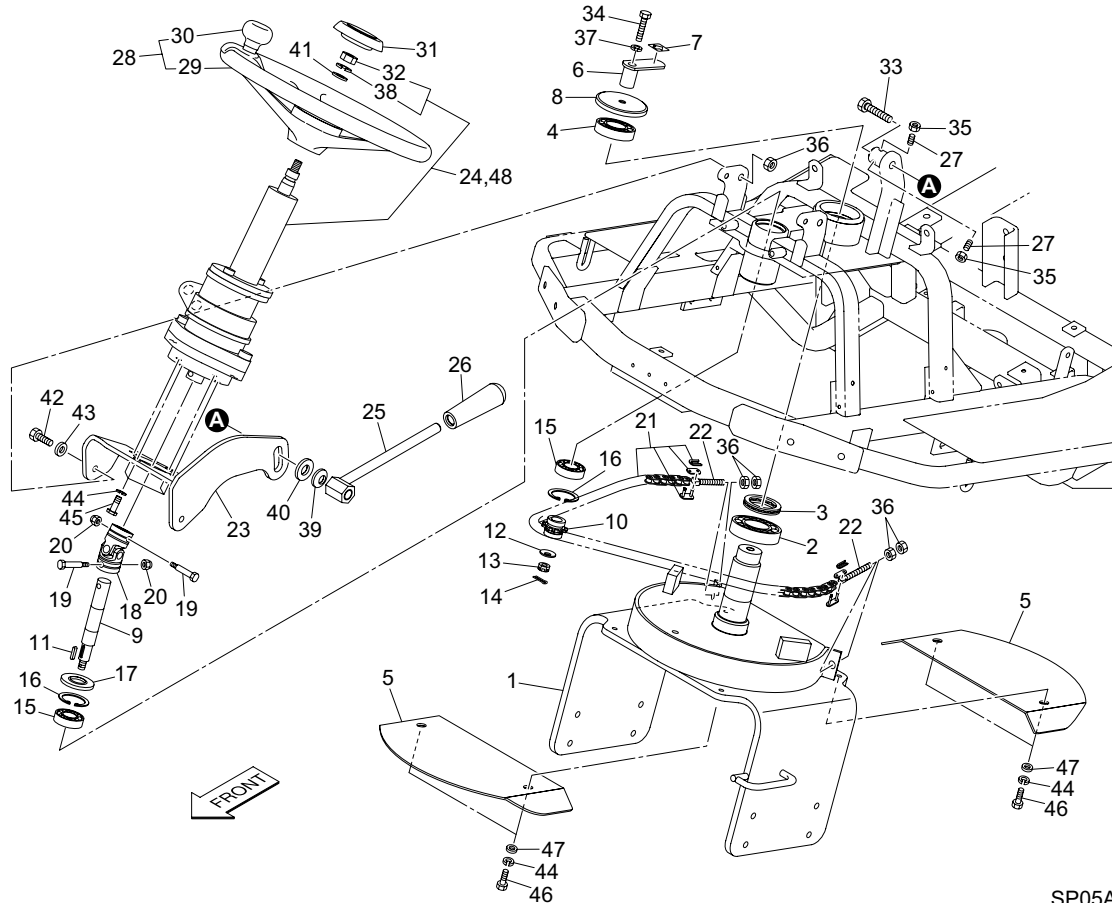


SP05A_02_z02

Cat No.	Code No.	Part name	Qty	Remark	SN of application
2 - 1	SP05---0201AD	ARM, FRONT WHEEL	1		
2 - 2	K0608062070	BEARING, BALL SEAL 2RS 6207	1		
2 - 3	K0640511070	BEARING, BALL THRUST 51107	1		
2 - 4	K0612062060	BEARING, BALL SEAL 2RD 6206	1		
2 - 5	SP05---0202ZD	PLATE, PREVENTING SAND	2		
2 - 6	SP05---0203ZR	FITTING, GUIDE	1		
2 - 7	K4209001180	DECAL, ARROW POINT	1		
2 - 8	K620400053D	COVER, FOR BEARING	1		
2 - 9	SP05---0204Z0	SHAFT, STEERING GEAR	1		
2 - 10	K2230000018	SPROCKET, KEY-SEATED 12.7-9	1		
2 - 11	K0500404200	KEY, BOTH ROUND M4-420	1		
2 - 12	K0210100002	SPRING, CONICAL DISC L M10	1		
2 - 13	K0124100002	NUT, THIN SLOTTED M10	1		
2 - 14	K0302025250	PIN, COTTER SUS M2.5-25	1		
2 - 15	K0612060040	BEARING, BALL SEAL 2RD 6004	2		
2 - 16	K0402042001	RING, RETAINING R M42	2		
2 - 17	K0822047060	OIL SEAL, MHSA20476	1		
2 - 18	K1620000220	JOINT	1		
2 - 19	K6121000370	SHAFT, THREADED JOINT PIN M8-35	2		
2 - 20	K0144060002	NUT, W/F-RING M6	2		
2 - 21	K2210000440	CHAIN, JOINT EK428SH 45JJ	1		
2 - 22	K6122000302	SCREW, ADJUSTING M10-70	2		
2 - 23	SP05---0205AD	BRACKET, HANDLE	1		
2 - 24	K3294000110	COLUMN ASSY, STEERING	1		
2 - 25	SP05---0206ZD	LEVER, TILT	1		
2 - 26	K1300000070	GRIP, RUBBER BLACK 9-22	1		
2 - 27	K0023080151	SETSCREW, M8-15	2		
2 - 28	K1710000070	STEERING, W/KNOB V027220-0000	1		
2 - 29	K1710000080	STEERING, V027220-0101	1		
2 - 30	K1710000090	KNOB ASSY, V027220-0200	1		

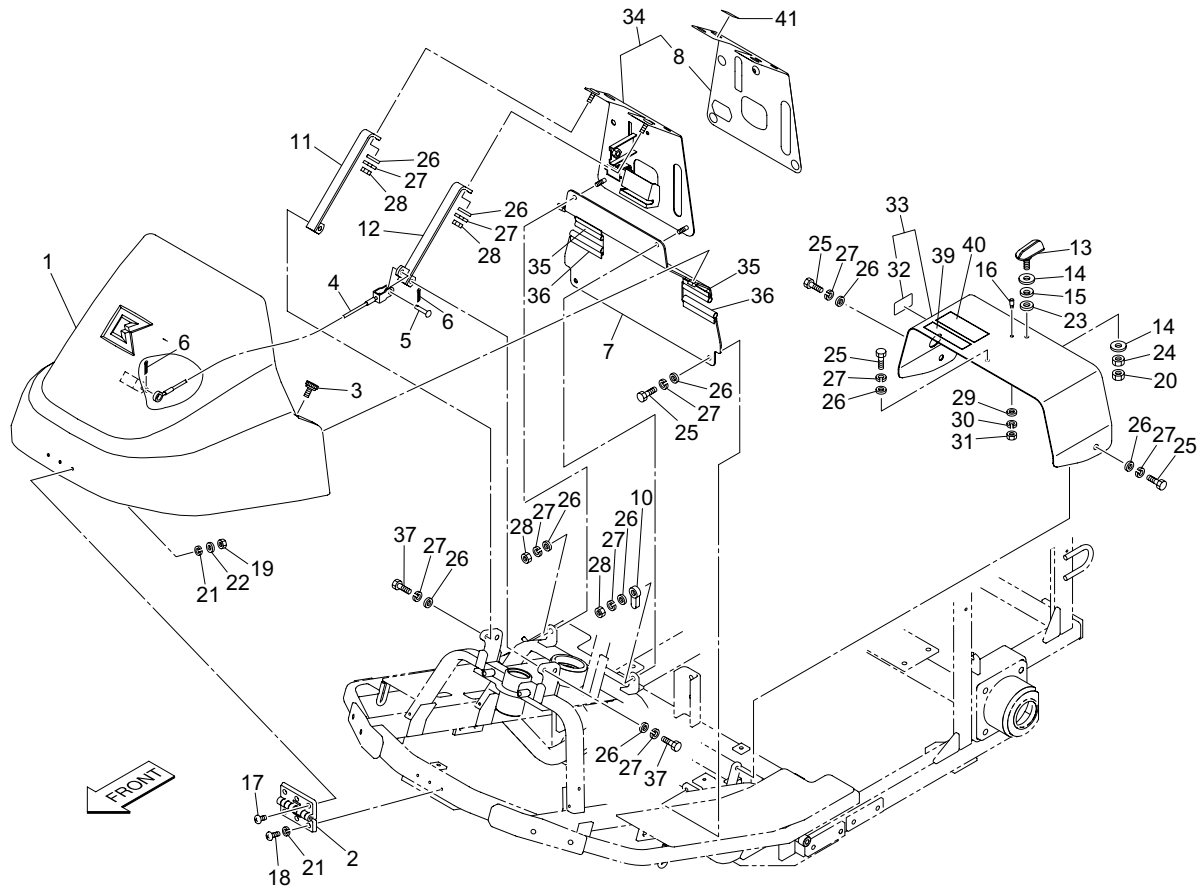
2. Steering section

SP05A



SP05A_02_z02

Cat No.	Code No.	Part name	Qty	Remark	SN of application
2 - 31	K1310000130	CAP, RUBBER	1		
2 - 32	K0108120002	NUT, P1.25 M12-3	1		
2 - 33	K0000120702	BOLT, M12-70	1		
2 - 34	K0010100502	BOLT, HT M10-50	1		
2 - 35	K0100080002	NUT, M8	2		
2 - 36	K0100100002	NUT, M10	6		
2 - 37	K0200100002	WASHER, SPRING M10	1		
2 - 38	K0200120002	WASHER, SPRING M12	1		
2 - 39	K0213120002	WASHER, DISK SPRING 1H M12	1		
2 - 40	K5073212352	WASHER, SPHC 3.2-12-35	1		
2 - 41	K5000120002	WASHER, M12	1		
2 - 42	K0000100252	BOLT, M10-25	2		
2 - 43	K5000100002	WASHER, M10	2		
2 - 44	K0200080002	WASHER, SPRING M8	8		
2 - 45	K0000080202	BOLT, M8-20	4		
2 - 46	K0000080152	BOLT, M8-15	4		
2 - 47	K5000080002	WASHER, M8	4		
2 - 48	K3294000110-1	SEAL KIT, BA0290A	1		

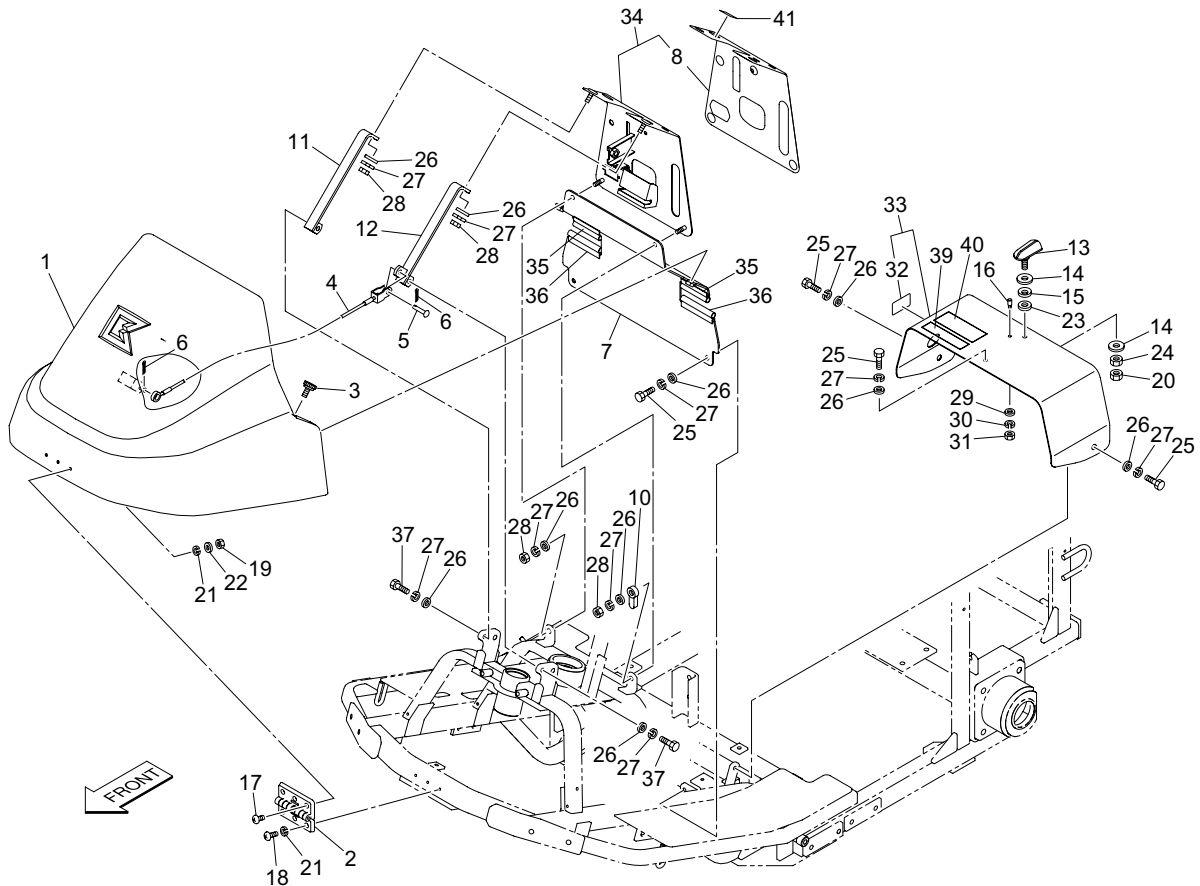


SP05A_03_a02

Cat No.	Code No.	Part name	Qty	Remark	SN of application
3 - 1	SP05---0501Z0	COVER COMP, FRONT	1		
3 - 2	K4520000260	HINGE, RESIN W/HOLE 5.2-100	1		
3 - 3	K1320000250	KNOB, DIMPLE M8-16	2		
3 - 4	K1170037000	WIRE, HOOK 370	1		
3 - 5	K6040060282	PIN, ROUND HEAD M6-28	1		
3 - 6	K0300020202	PIN, COTTER M2-20	2		
3 - 7	SP05---0521AR	COVER, FRONT TIRE	1		
3 - 8	SP05---0560C0	STICKER, OPERATION	1		
3a - 9					
3 - 10	K4281000030	CLAMP, HARNESS 10.5 50	1		
3 - 11	SP05---0535AD	STAY, PANEL (RH)	1		
3 - 12	SP05---0536AD	STAY, PANEL (LH)	1		
3 - 13	SP05---0542ZR	FASTENER, COVER	1		
3 - 14	K5051010220	WASHER, C5191P 1-10-22	2		
3 - 15	K0210100002	SPRING, CONICAL DISC L M10	1		
3 - 16	K0071001122	PIN, M8 W/TAPPED M6-16	1		
3 - 17	K0042050202	SCREW, + ROUND HEAD M5-20	3		
3 - 18	K0042050152	SCREW, + ROUND HEAD M5-15	3		
3 - 19	K0100050002	NUT, M5	3		
3 - 20	K0102100002	NUT, M10-3	1		
3 - 21	K0200050002	WASHER, SPRING M5	6		
3 - 22	K5000050002	WASHER, M5	3		
3 - 23	K5000100002	WASHER, M10	1		
3 - 24	K0100100002	NUT, M10	1		
3 - 25	K0000080152	BOLT, M8-15	5		
3 - 26	K5000080002	WASHER, M8	11		
3 - 27	K0200080002	WASHER, SPRING M8	11		
3 - 28	K0100080002	NUT, M8	4		
3 - 29	K5000060002	WASHER, M6	1		
3 - 30	K0200060002	WASHER, SPRING M6	1		

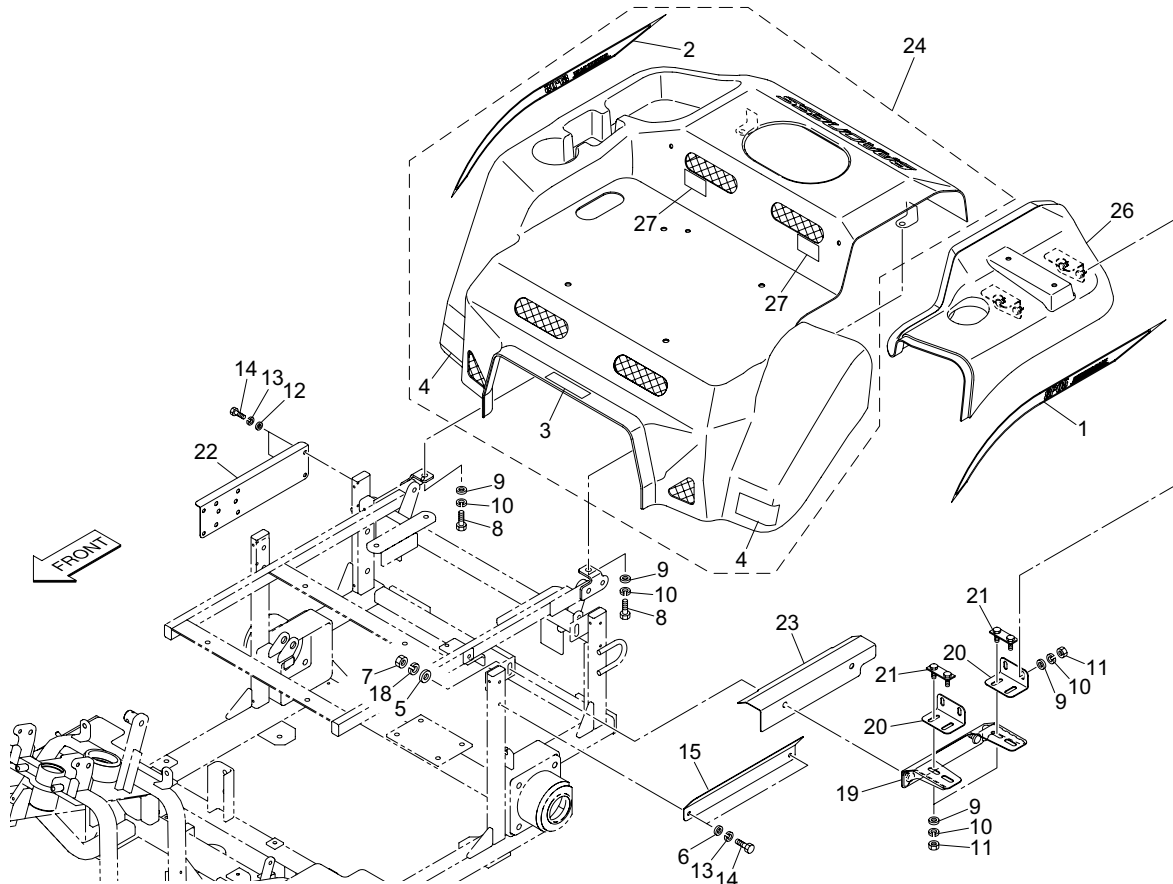
3. Front Cover section

SP05A



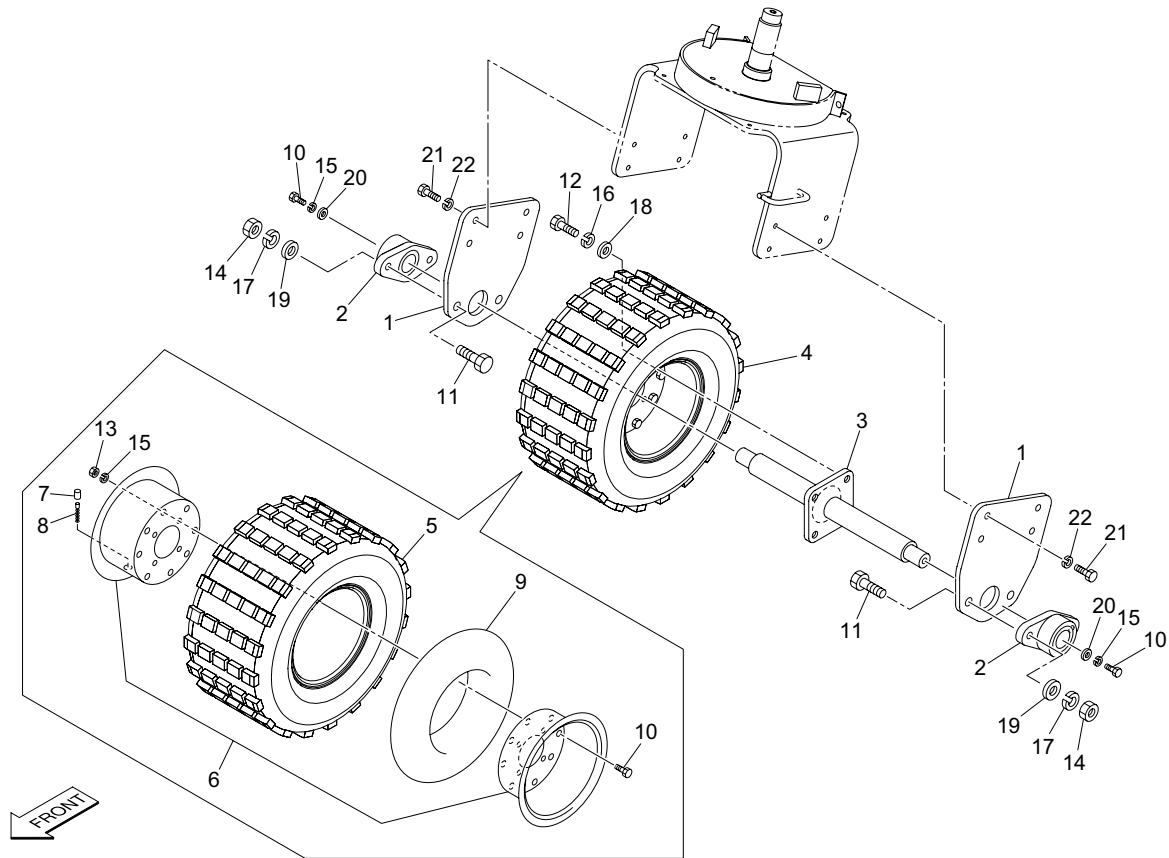
SP05A_03_a02

Cat No.	Code No.	Part name	Qty	Remark	SN of application
3 - 31	K0100060002	NUT, M6	1		
3 - 32	K4209001390	DECAL, HYDRAULIC OIL	1		
3 - 33	SP05---0540B0	COVER COMP, HYDRAULIC TANK	1		
3 - 34	SP05---2530A0	PANEL COMP, OPERATION	1		
3 - 35	K3198300800	TRIM, SEAL 6100-32C-0080	2		
3 - 36	K3198300900	TRIM, SEAL 6100-32C-0090	2		
3 - 37	K0000080202	BOLT, M8-20	2		
3a - 38					
3a - 39	K4205002200	DECAL, WARNING SPARK ARRESTER	1		
3a - 40	K4205002140	LABEL, WARNING CA P65 FOR RIDING MOWER	1		
3 - 41	K4205002090	DECAL, CAUTION NOISE	1		



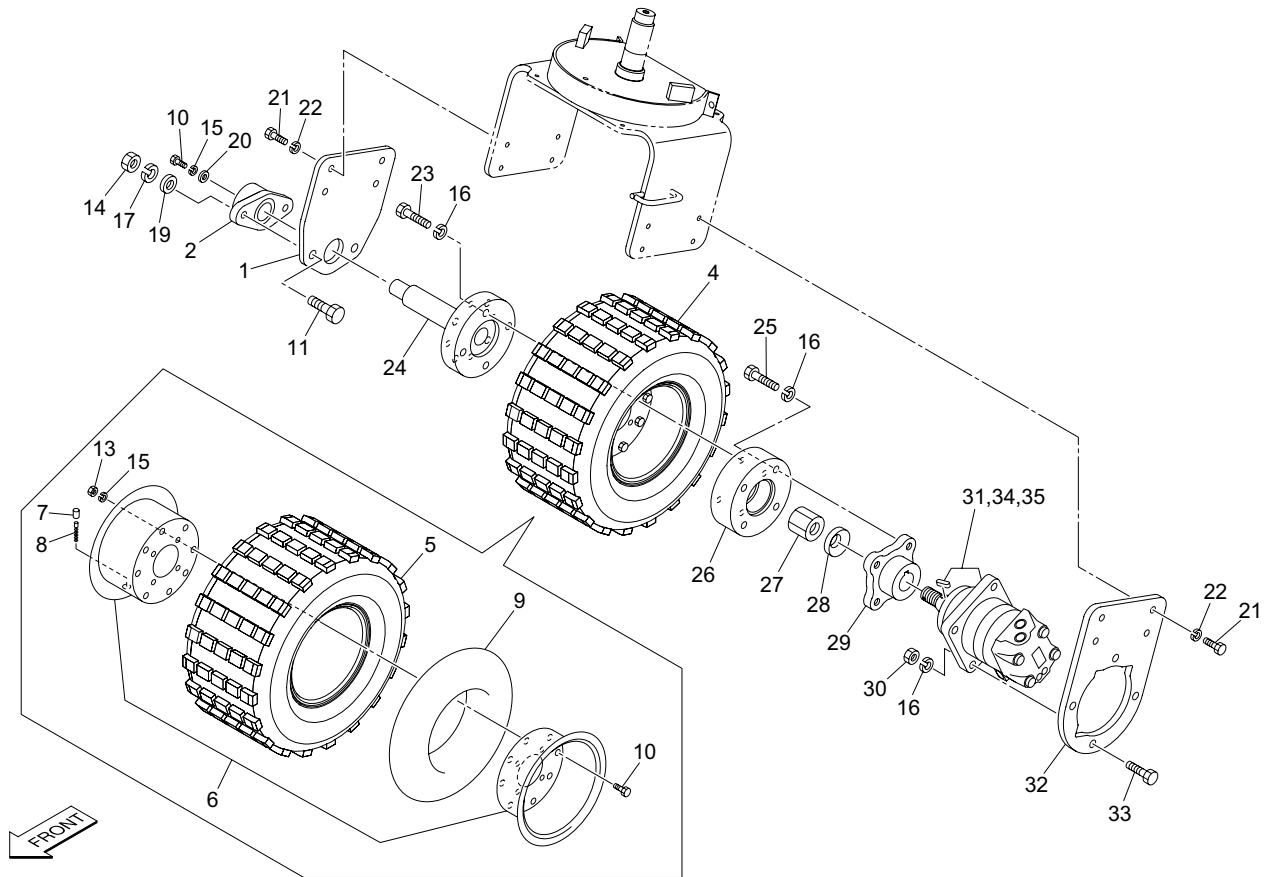
SP05A_04_z04

Cat No.	Code No.	Part name	Qty	Remark	SN of application
4 - 1	SP05A--0502Z0	STICKER, SP05A (LH)	1		
4 - 2	SP05A--0503Z0	STICKER, SP05A (RH)	1		
4 - 3	SP05--0515Z0	TAPE, ABRASION PROOF	1		
4 - 4	K4205001930	DECAL, CAUTION GETTING CAUGHT HANDS/FEET	2		
4 - 5	K5000100002	WASHER, M10	2		
4 - 6	K5011606202	WASHER, SPCC 1.6-6-20	2		
4 - 7	K0100100002	NUT, M10	2		
4 - 8	K0000080152	BOLT, M8-15	2		
4 - 9	K5000080002	WASHER, M8	10		
4 - 10	K0200080002	WASHER, SPRING M8	10		
4 - 11	K0100080002	NUT, M8	8		
4 - 12	K5000060002	WASHER, M6	4		
4 - 13	K0200060002	WASHER, SPRING M6	6		
4 - 14	K0000060152	BOLT, M6-15	6		
4 - 15	SP05--0561ZD	PLATE, PREVENTING SAND	1		
4 - 16					
4 - 17					
4 - 18	K0200100002	WASHER, SPRING M10	2		
4 - 19	SP05---2508ZD	BRACKET, COVER	1		
4 - 20	SP05---2509ZD	ADJUSTER	2		
4 - 21	SP05--2510Z2	FITTING, ADJUSTER	2		
4 - 22	SP05---2604ZD	MOUNT, SUBSTRATE	1		
4 - 23	SP05A--0505Z0	BOARD, ADIABATIC (LH)	1		
4 - 24	SP05A--0504C0	COVER ASSY, REAR	1		
4 - 25					
4 - 26	SP05---2505Z0	COVER COMP, REAR SIDE	1		
4 - 27	K4033000430	RUBBER, PLATE 1-3045	2		



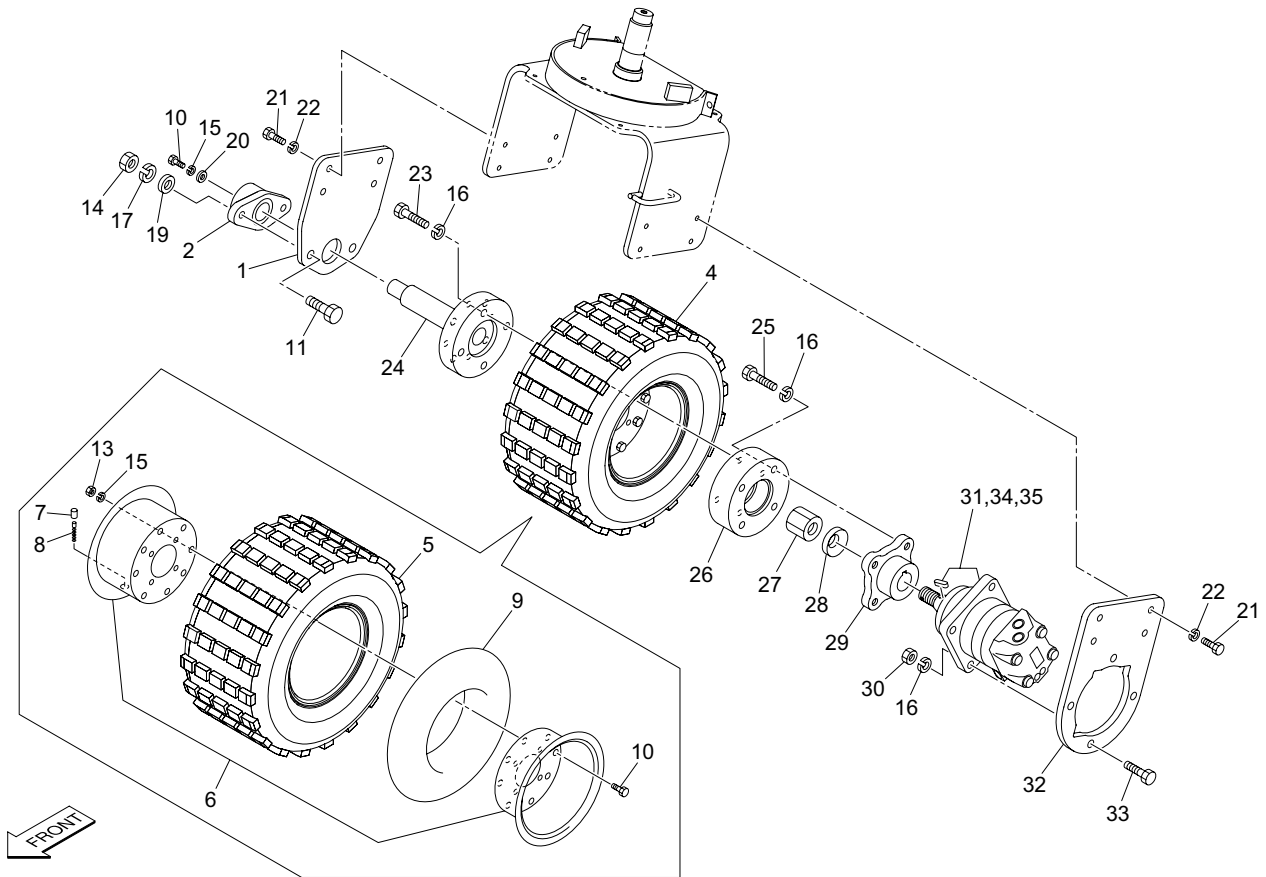
SP05A_A5_z01

Cat No.	Code No.	Part name	Qty	Remark	SN of application
A5 - 1	SP05---0210ZD	BRACKET, FRONT WHEEL	2		
A5 - 2	K0661205000	BEARING, BALL W/RHOMBIC UCFL 205	2		
A5 - 3	SP05---0211ZD	AXIS, ARM	1		
A5 - 4	K2000000360	TIRE ASSY, 21*11.00-10-4A	1		
A5 - 5	K2001000150	TIRE, 21*11.00-10PD2	1		
A5 - 6	K2081000050	WHEEL & TIRE SET, 850SP-10	1		
A5 - 7	K2093000010	CAP, VALVE	1		
A5 - 8	K2092000020	CORE, VALVE NO.9000	1		
A5 - 9	K2091000200	TUBE, 21*11.00-10	1		
A5 - 10	K0000080152	BOLT, M8-15	10		
A5 - 11	K0000140402	BOLT, M14-40	4		
A5 - 12	K0011120302	BOLT, HT P1.5 M12-30	4		
A5 - 13	K0100080002	NUT, M8	8		
A5 - 14	K0100140002	NUT, M14	4		
A5 - 15	K0200080002	WASHER, SPRING M8	10		
A5 - 16	K0200120002	WASHER, SPRING M12	4		
A5 - 17	K0200140002	WASHER, SPRING M14	4		
A5 - 18	K5000120002	WASHER, M12	4		
A5 - 19	K5000140002	WASHER, M14	4		
A5 - 20	K5073208352	WASHER, SPHC 3.2-8-35	2		
A5 - 21	K0000100202	BOLT, M10-20	8		
A5 - 22	K0200100002	WASHER, SPRING M10	8		



SP05A_B5_z01

Cat No.	Code No.	Part name	Qty	Remark	SN of application
B5 - 1	SP05---0210ZD	BRACKET, FRONT WHEEL	1		
B5 - 2	K0661205000	BEARING, BALL W/RHOMBIC UCFL 205	1		
B5 - 3					
B5 - 4	K2000000360	TIRE ASSY, 21*11.00-10-4A	1		
B5 - 5	K2001000150	TIRE, 21*11.00-10PD2	1		
B5 - 6	K2081000050	WHEEL & TIRE SET, 850SP-10	1		
B5 - 7	K2093000010	CAP, VALVE	1		
B5 - 8	K2092000020	CORE, VALVE NO.9000	1		
B5 - 9	K2091000200	TUBE, 21*11.00-10	1		
B5 - 10	K0000080152	BOLT, M8-15	10		
B5 - 11	K0000140402	BOLT, M14-40	2		
B5 - 12					
B5 - 13	K0100080002	NUT, M8	8		
B5 - 14	K0100140002	NUT, M14	2		
B5 - 15	K0200080002	WASHER, SPRING M8	9		
B5 - 16	K0200120002	WASHER, SPRING M12	12		
B5 - 17	K0200140002	WASHER, SPRING M14	2		
B5 - 18					
B5 - 19	K5000140002	WASHER, M14	2		
B5 - 20	K5073208352	WASHER, SPHC 3.2-8-35	1		
B5 - 21	K0000100202	BOLT, M10-20	8		
B5 - 22	K0200100002	WASHER, SPRING M10	8		
B5 - 23	K0014120602	BOLT, HT P1.5 M12-60	4		
B5 - 24	SP05---0251ZD	SPINDLE, FRONT WHEEL	1		
B5 - 25	K0014120502	BOLT, HT P1.5 M12-50	4		
B5 - 26	SP05---0252ZD	MOUNT, MOTOR	1		
B5 - 27	K0160000492	NUT, SPECIAL P1.5 M24	1		
B5 - 28	K0214240001	WASHER, DISK SPRING 2L M24	1		
B5 - 29	K216000009D	MOUNT, WHEEL 21*11.00	1		
B5 - 30	K0100120002	NUT, M12	4		

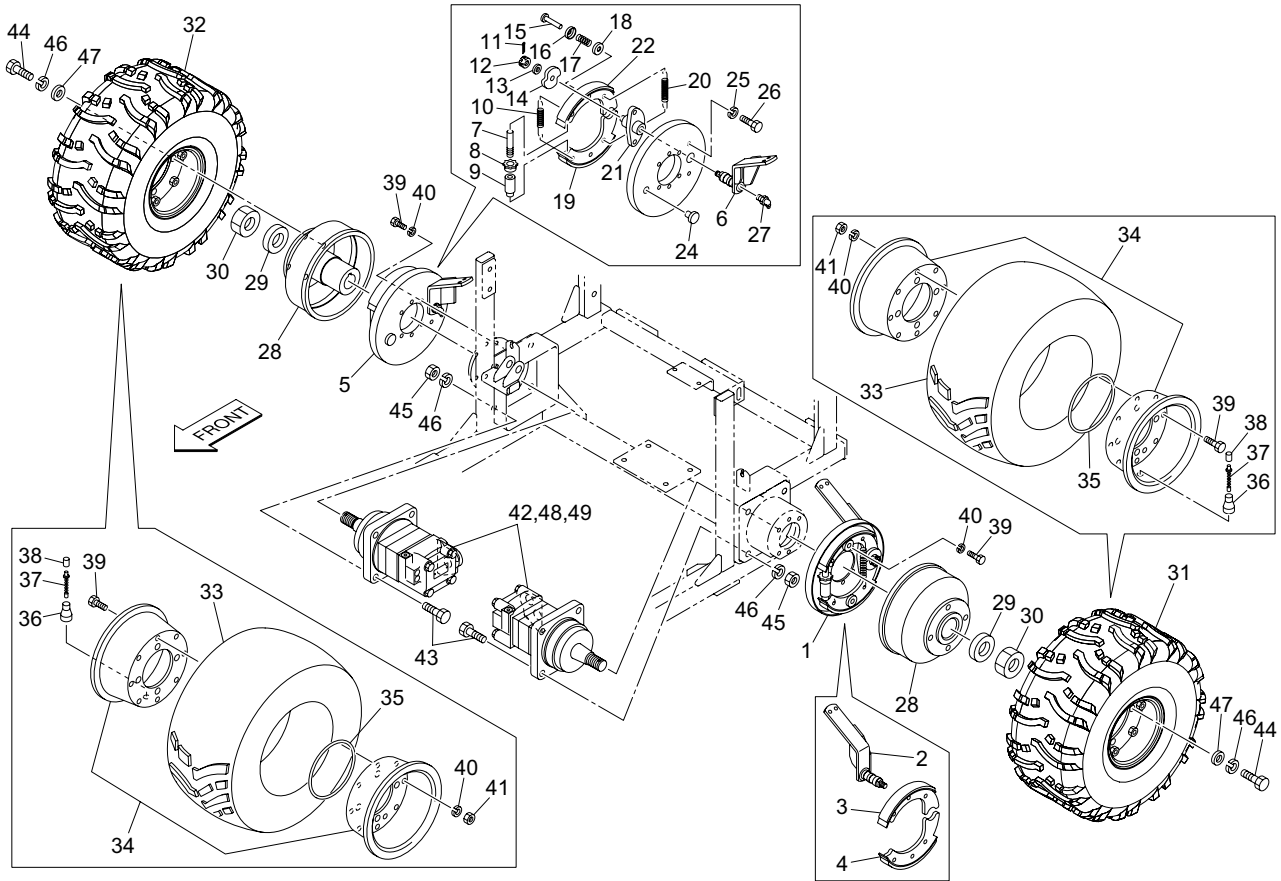


SP05A_B5_z01

Cat No.	Code No.	Part name	Qty	Remark	SN of application
B5 - 31	K3291000210	MOTOR, WHEEL 2-100BS4S	1		
B5 - 32	SP05--0250ZD	BRACKET, MOTOR	1		
B5 - 33	K0000120452	BOLT, M12-45	4		
B5 - 34	Y61090S	SEAL KIT, ORBIT MOTOR 2000 (REAR)	1		
B5 - 35	Y61091S	SEAL KIT, ORBIT MOTOR 2000 (SHAFT)	1		

6. Rear wheel section

SP05A

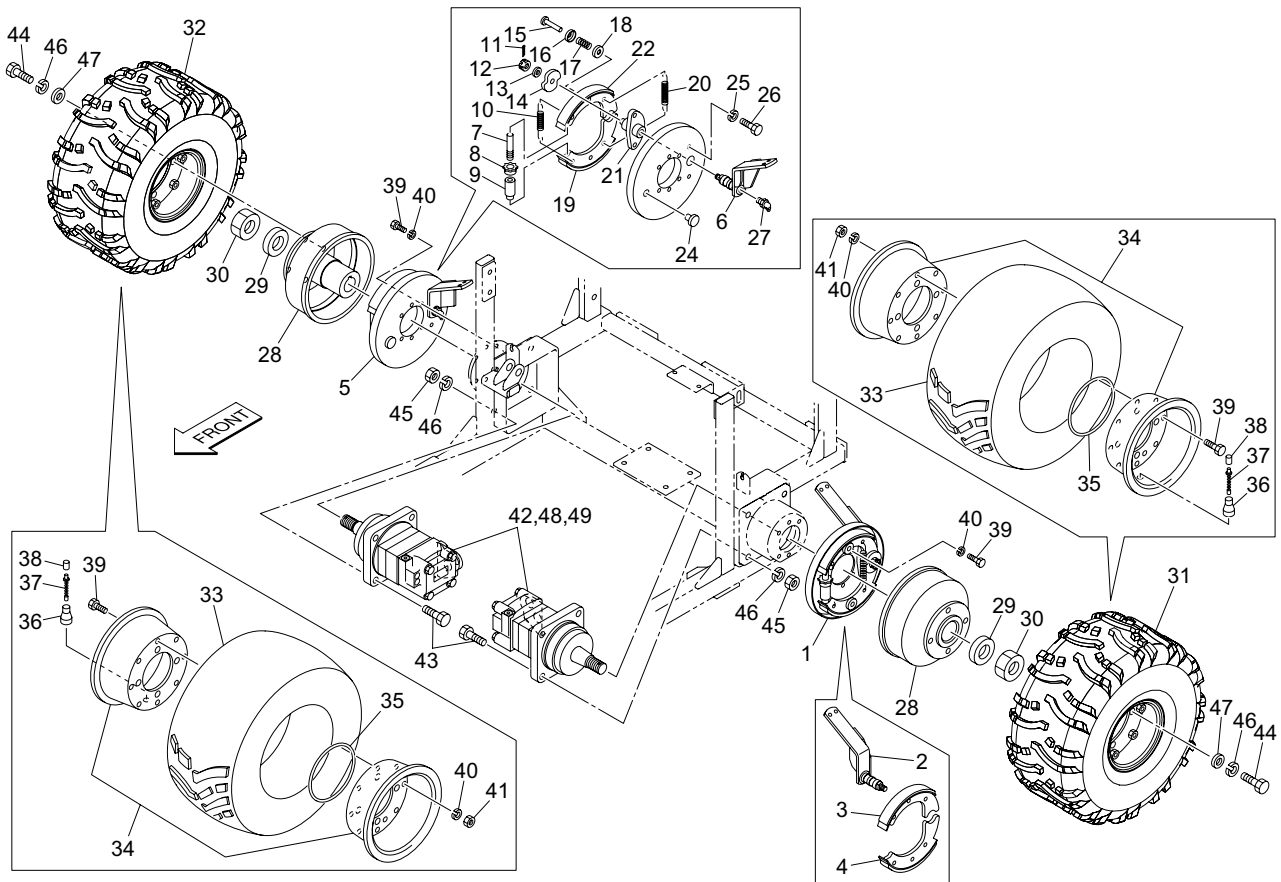


SP05A_06_z04

Cat No.	Code No.	Part name	Qty	Remark	SN of application
6 - 1	SP05---0223Z0	BRAKE ASSY, W/LEVER (LH)	1		
6 - 2	SP05---0224B2	LEVER, BRAKE (LH)	1		
6 - 3	P741-8006-01	SHOE, BRAKE	1		
6 - 4	P741-8008-00	SHOE, BRAKE	1		
6 - 5	SP05---0225Z0	BRAKE ASSY, W/LEVER (RH)	1		
6 - 6	SP05---0226B2	LEVER, BRAKE (RH)	1		
6 - 7	P722-7341-00	BOLT, ADJUSTING	2		
6 - 8	P722-7342-00	GEAR, ADJUSTING	2		
6 - 9	P723-7329-00	SLEEVE	2		
6 - 10	P153-8002-00	SPRING	2		
6 - 11	P601-2525-00	PIN, COTTER	2		
6 - 12	P535-1008-00	NUT, CASTLE	2		
6 - 13	P801-7308-00	WASHER	2		
6 - 14	P731-7335-00	CAM	2		
6 - 15	P713-7044-00	PIN, GUIDE	4		
6 - 16	P801-7012-00	SEAT, SPRING A	4		
6 - 17	P154-7033-00	SPRING	4		
6 - 18	P801-7023-00	SEAT, SPRING B	4		
6 - 19	P741-8005-00	SHOE, BRAKE	1		
6 - 20	P153-8004-00	SPRING	2		
6 - 21	P712-8003-00	BRACKET	2		
6 - 22	P741-8007-00	SHOE, BRAKE	1		
6 - 23					
6 - 24	P319-7122-00	PLUG	2		
6 - 25	P573-1025-20	WASHER, SPRING	4		
6 - 26	P501-1016-10	BOLT	4		
6 - 27	P631-0675-00	GREASE NIPPLE	2		
6 - 28	K6909000252	MOUNT, WHEEL	2		
6 - 29	K0214240001	WASHER, DISK SPRING 2L M24	2		
6 - 30	K0160000492	NUT, SPECIAL P1.5 M24	2		

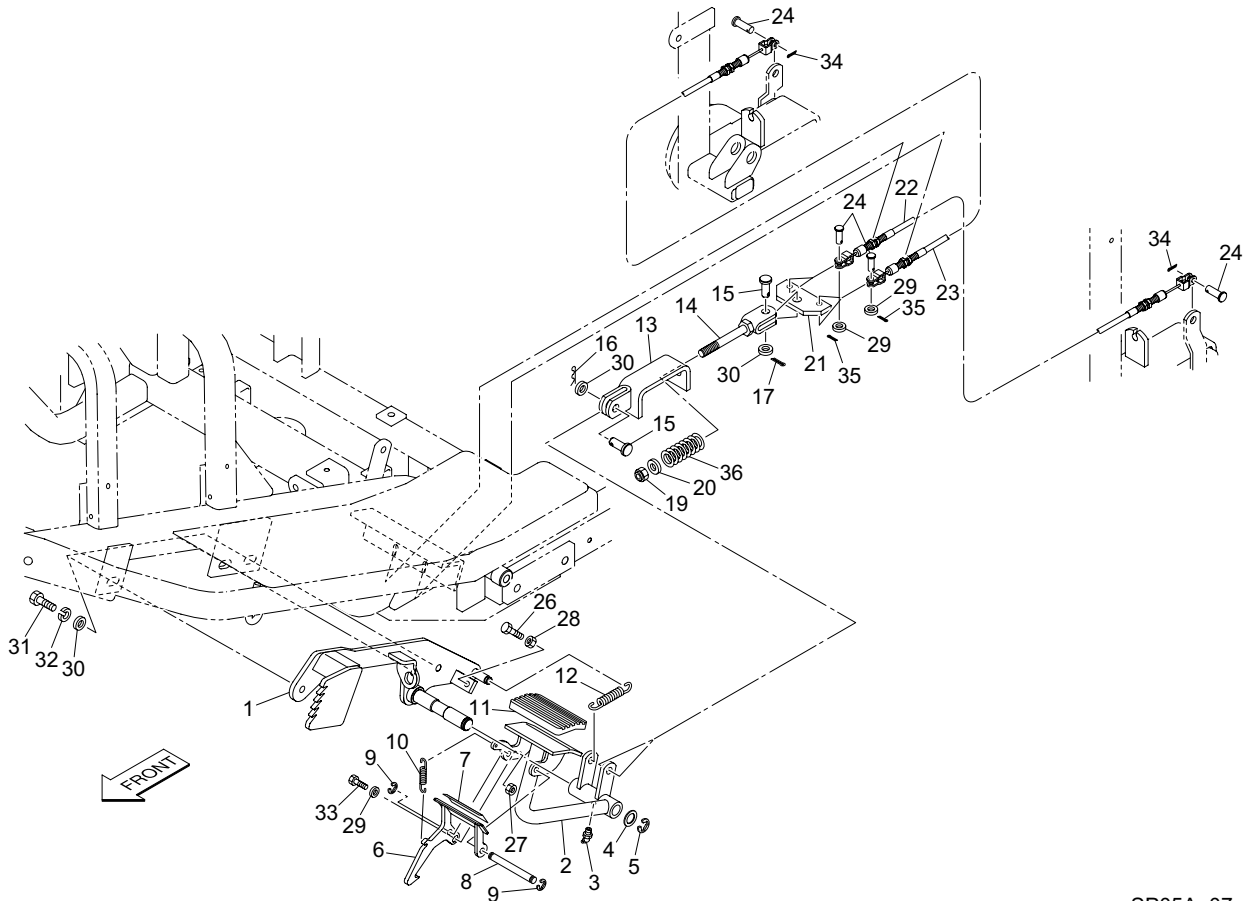
6. Rear wheel section

SP05A



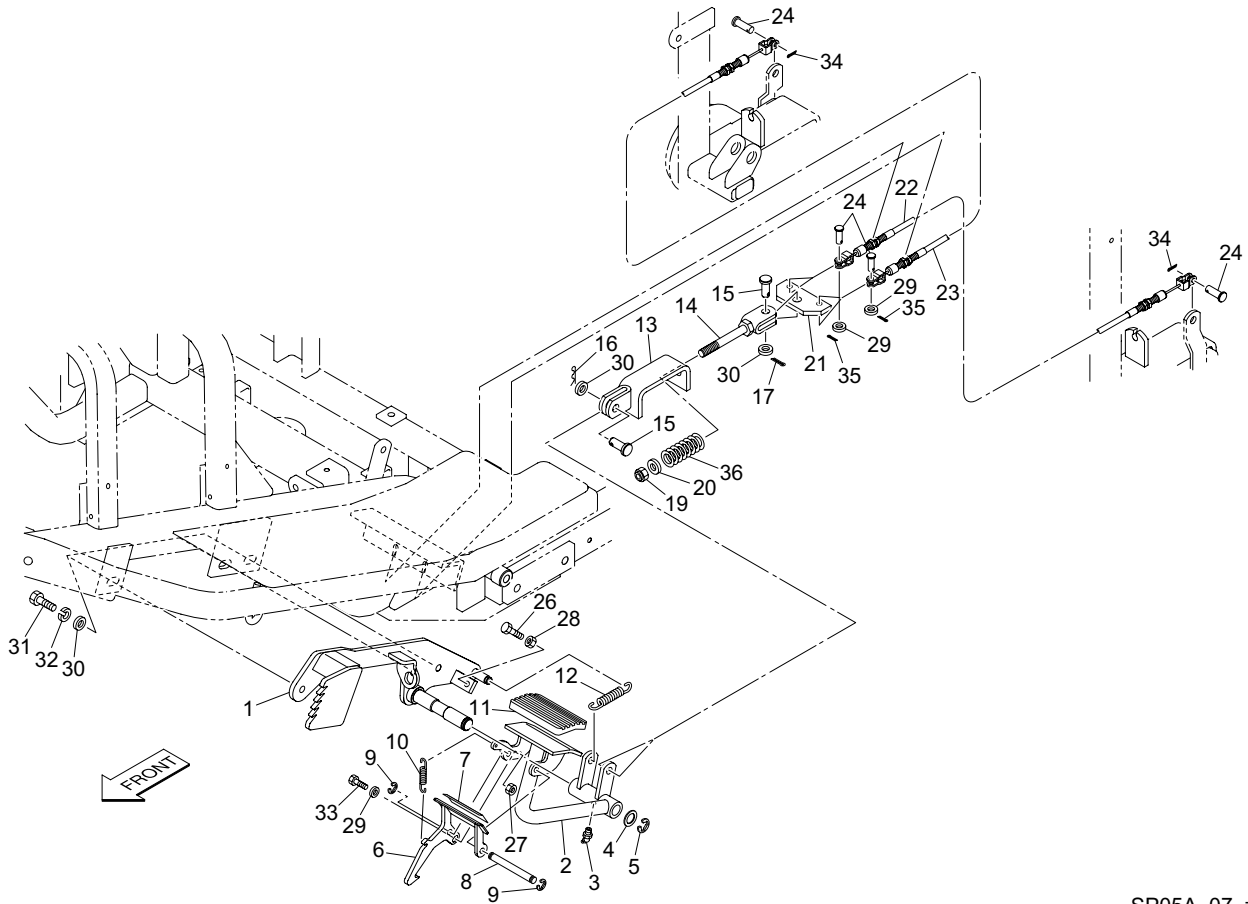
SP05A_06_z04

Cat No.	Code No.	Part name	Qty	Remark	SN of application
6 - 31	K2040000400	TIRE, C828-25*13.00-9AY-L	1		
6 - 32	K2040000410	TIRE, C828-25*13.00-9AY-R	1		
6 - 33	K2041000220	TIRE, C828-25*13.00-9	2		
6 - 34	K209000062L-SET	WHEEL SET, 10SW-9	2		
6 - 35	K2098000010	O-RING	2		
6 - 36	K2097000040	VALVE, RIM PVR70	2		
6 - 37	K2092000020	CORE, VALVE NO.9000	2		
6 - 38	K2093000010	CAP, VALVE	2		
6 - 39	K0000080152	BOLT, M8-15	2		
6 - 40	K0200080002	WASHER, SPRING M8	28		
6 - 41	K0100080002	NUT, M8	28		
6 - 42	K3291000190	MOTOR, WHEEL 2-200BS4S	2		
6 - 43	K0000120452	BOLT, M12-45	8		
6 - 44	K0011120302	BOLT, HT P1.5 M12-30	8		
6 - 45	K0100120002	NUT, M12	8		
6 - 46	K0200120002	WASHER, SPRING M12	8		
6 - 47	K5000120002	WASHER, M12	8		
6 - 48	Y61090S	SEAL KIT, ORBIT MOTOR 2000 (REAR)	2		
6 - 49	Y61091S	SEAL KIT, ORBIT MOTOR 2000 (SHAFT)	2		



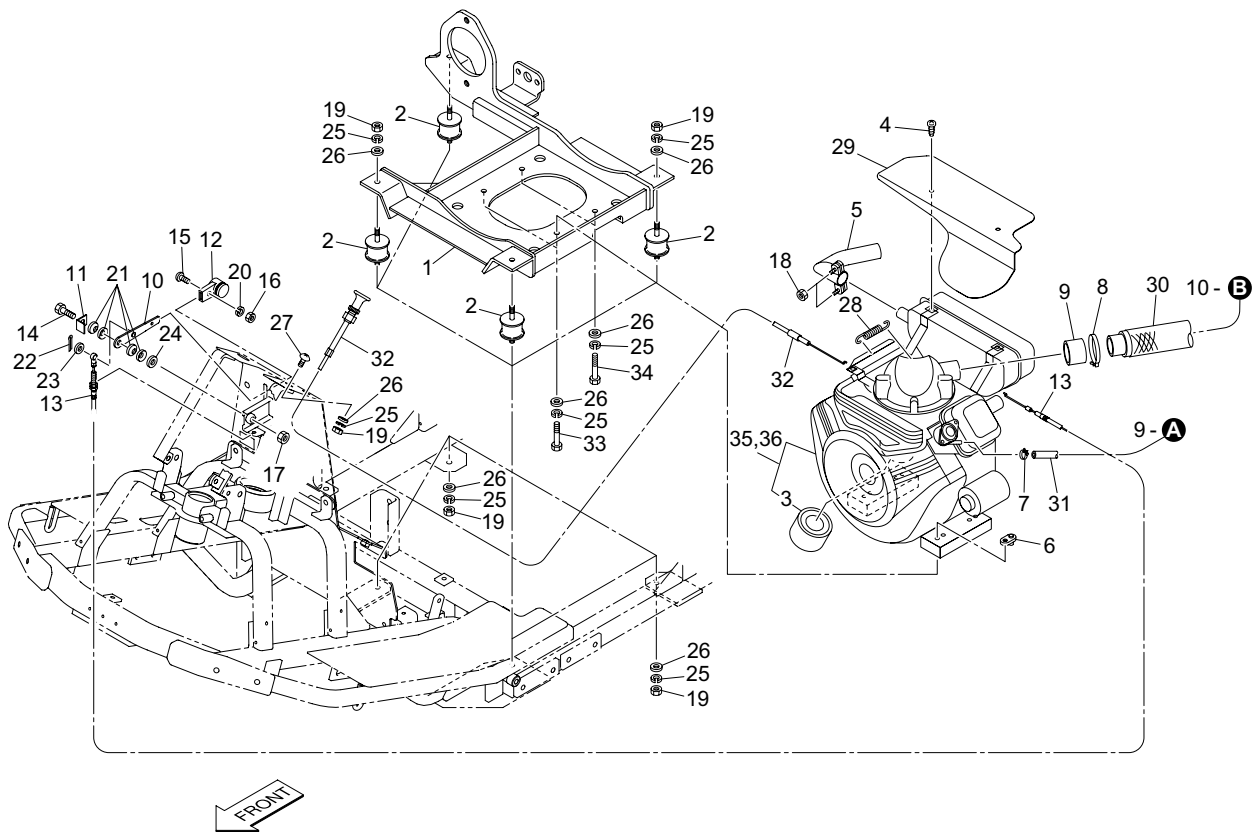
SP05A_07_z02

Cat No.	Code No.	Part name	Qty	Remark	SN of application
7 - 1	SP05A--0201BD	FULCRUM, BRAKE	1		
7 - 2	SP05--0230AD	PEDAL, BRAKE	1		
7 - 3	K1440000020	GREASE NIPPLE, 90 TYPE C	1		
7 - 4	K5051016240	WASHER, C5191P 1-16-24	1		
7 - 5	K0400012002	RING, RETAINING E M12	1		
7 - 6	FS900--0309ZD	PEDAL, LOCKING BRAKE PEDAL	1		
7 - 7	SP160E-3412Z0	SHEET, NONSKID FOR PEDAL	1		
7 - 8	SP160E-3411Z2	SHAFT, 8-78	1		
7 - 9	K0400006002	RING, RETAINING E M6	2		
7 - 10	K1030000108	SPRING, W/U HOOK M1.2-9.4-35	1		
7 - 11	K4050000050	RUBBER, FOR PEDAL 70100	1		
7 - 12	K1030000048	SPRING, W/U HOOK M2-14-80	1		
7 - 13	SP05--0221ZD	BRACKET, SPRING	1		
7 - 14	SP05--0220Z2	ROD, SPRING	1		
7 - 15	K6031100258	PIN, FLAT HEAD HT M10-25	2		
7 - 16	K0331000008	PIN, SNAP M10	1		
7 - 17	K0302025250	PIN, COTTER SUS M2.5-25	1		
7 - 18					
7 - 19	K0144100002	NUT, W/F-RING M10	1		
7 - 20	K5073210262	WASHER, SPHC 3.2-10-26	1		
7 - 21	SP05--0222Z2	FITTING, BRAKE WIRE	1		
7 - 22	K1120084500	WIRE, BRAKE 845	1		
7 - 23	K1120145210	WIRE, BRAKE 1452	1		
7 - 24	K6031060172	PIN, FLAT-HEAD HT M6-17	4		
7 - 25					
7 - 26	K0000080302	BOLT, M8-30	1		
7 - 27	K0100060002	NUT, M6	1		
7 - 28	K0100080002	NUT, M8	1		
7 - 29	K5000060002	WASHER, M6	3		
7 - 30	K5000100002	WASHER, M10	5		



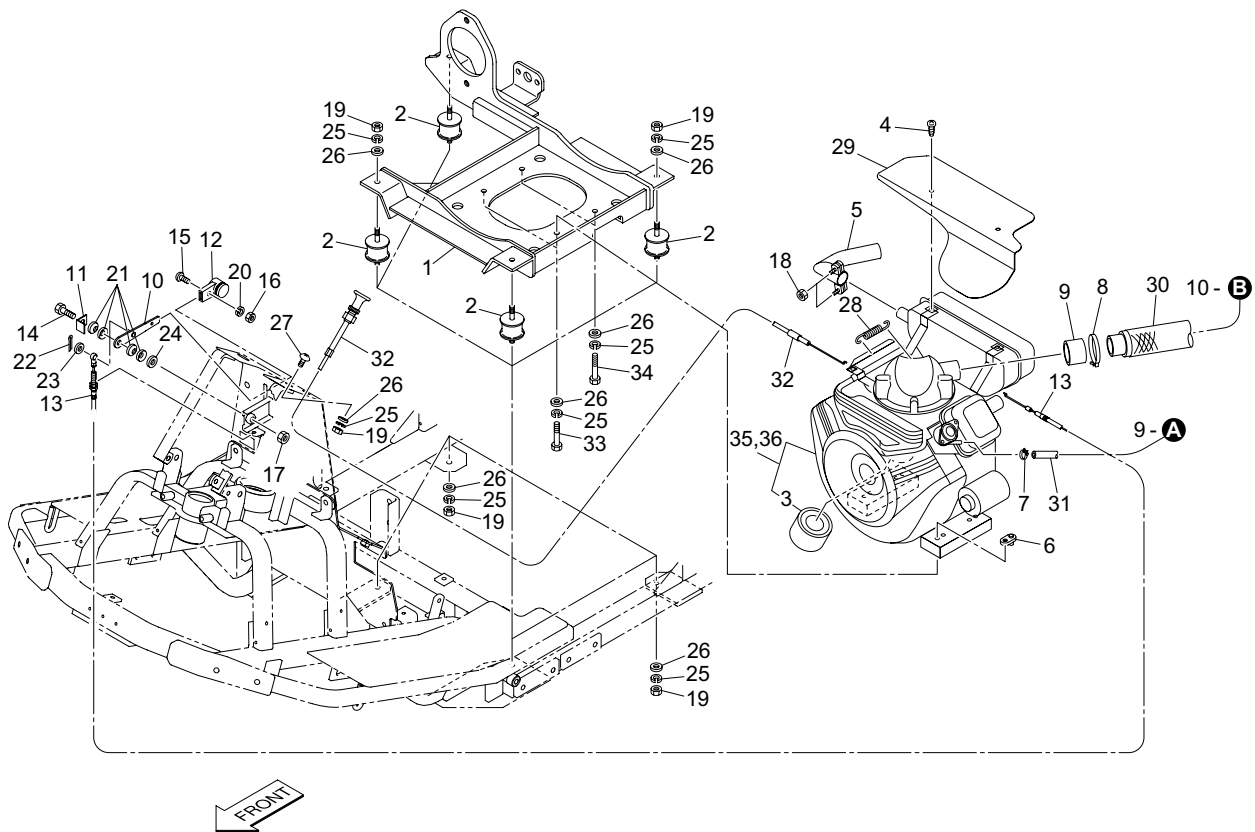
SP05A_07_z02

Cat No.	Code No.	Part name	Qty	Remark	SN of application
7 - 31	K0000100202	BOLT, M10-20	3		
7 - 32	K0200100002	WASHER, SPRING M10	3		
7 - 33	K0000060202	BOLT, M6-20	1		
7 - 34	K0330600008	PIN, SNAP M6	2		
7 - 35	K0300016202	PIN, COTTER M1.6-20	2		
7 - 36	K1000001008	SPRING, COMPRESSION M5-25-60	1		



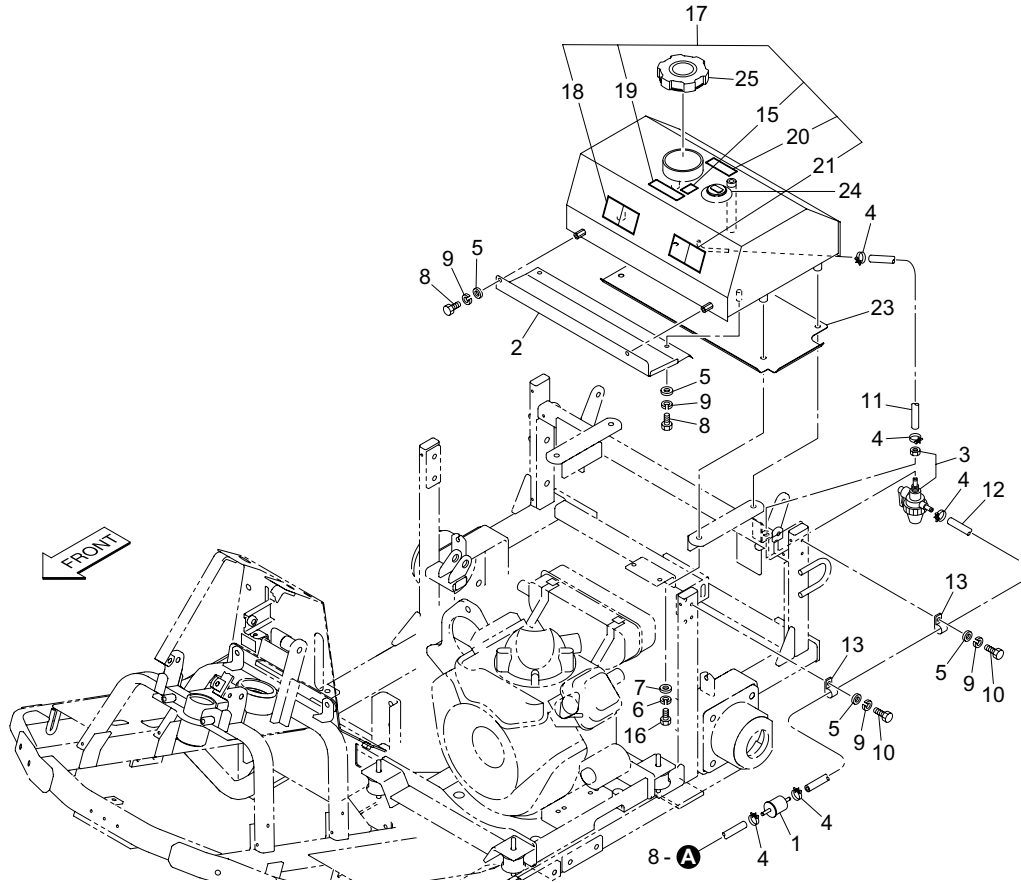
SP05A_08_z01

Cat No.	Code No.	Part name	Qty	Remark	SN of application
8 - 1	SP05---0301ZD	BASE, ENGINE	1		
8 - 2	K4040000130	RUBBER, VIBRATION PROOF EA4006	4		
8 - 3	PL492932S	FILTER, OIL	1		
8 - 4	K0069000112	SCREW, 6+ TRUSS TAP (TYPE 3-12)	2		
8 - 5	SP05---0311AU	PIPE, MUFFLER	1		
8 - 6	SP05---0309Z2	MOUNT, ENGINE	4		
8 - 7	K4260000150	CLAMP, HOSE 12	1		
8 - 8	K4261036000	CLAMP, HOSE 4669	1		
8 - 9	SP05---0312Z0	RUBBER, SPACER	1		
8 - 10	SP05---0340ZD	LEVER, THROTTLE	1		
8 - 11	SP05---0341Z2	PLATE, RETAINING	1		
8 - 12	K1301000150	GRIP, PLASTIC THROTTLE LEVER	1		
8 - 13	K1110143000	WIRE, THROTTLE 1430	1		
8 - 14	K0000100352	BOLT, M10-35	1		
8 - 15	K0042050082	SCREW, + ROUND HEAD M5-8	1		
8 - 16	K0100050002	NUT, M5	1		
8 - 17	K0100100002	NUT, M10	1		
8 - 18	K0144080002	NUT, W/F-RING M8	2		
8 - 19	K0100080002	NUT, M8	9		
8 - 20	K0200050002	WASHER, SPRING M5	1		
8 - 21	K0212100001	WASHER, DISK SPRING 1L M10	4		
8 - 22	K0300016122	PIN, COTTER M1.6-12	1		
8 - 23	K5000060002	WASHER, M6	1		
8 - 24	K5000100002	WASHER, M10	1		
8 - 25	K0200080002	WASHER, SPRING M8	13		
8 - 26	K5000080002	WASHER, M8	13		
8 - 27	K0056080200	SCREW, SUS + TRUSS M8-20	1		
8 - 28	K1020000208	SPRING, W/ROUND HOOK M1.6-16.6-65.2	1		
8 - 29	SP05---2301Z0	COVER, MUFFLER	1		
8 - 30	SP05---2302Z0	HOSE COMP, CLEANER 420	1		



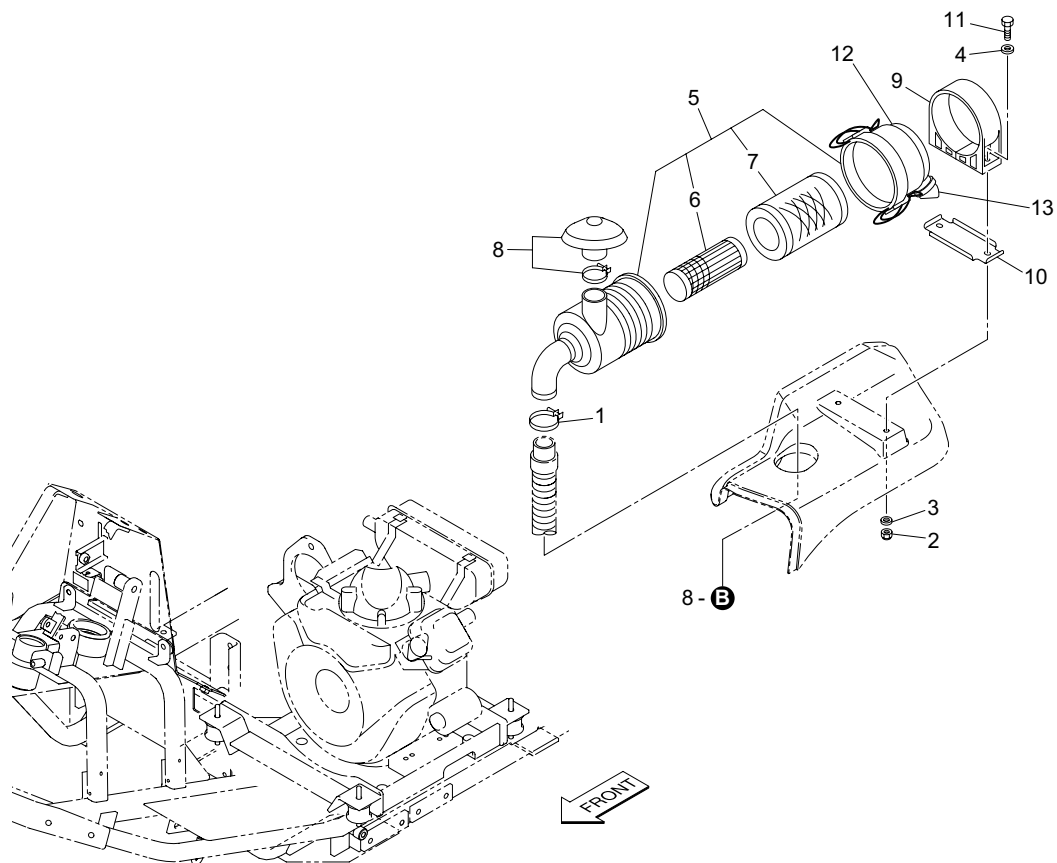
SP05A_08_z01

Cat No.	Code No.	Part name	Qty	Remark	SN of application
8 - 31	SP05---2304Z0	HOSE, LOW PERM 6.4-230	1		
8 - 32	K1100178520	WIRE, CHOKE 1785	1		
8 - 33	K0000080402	BOLT, M8-40	2		
8 - 34	K0000080502	BOLT, M8-50	2		
8 - 35	K2680000590	ENGINE, VANGUARD 356447-705-B5	1		
8 - 36	PL792015	PLUG, CHAMPION XC92YC	1		



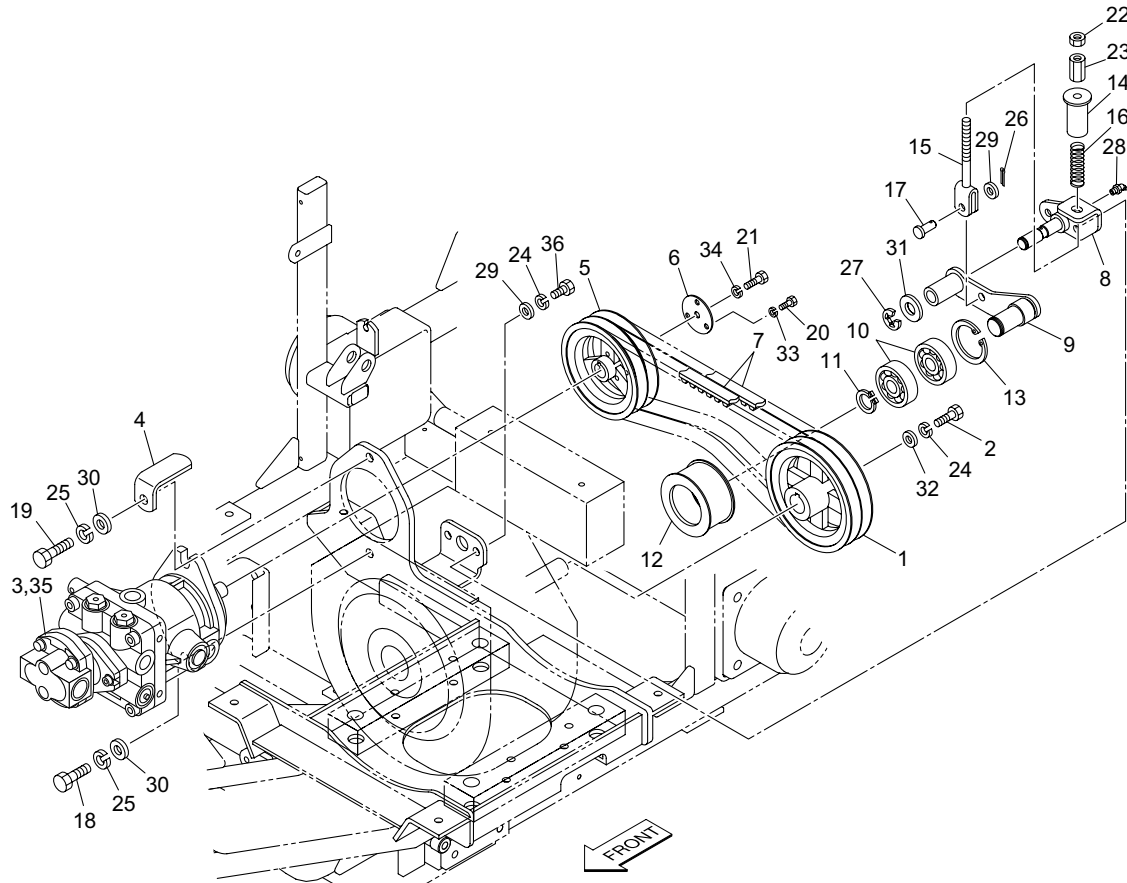
SP05A_09_z04

Cat No.	Code No.	Part name	Qty	Remark	SN of application
9 - 1	PL84001895	FILTER, FUEL	1		
9 - 2	SP05---0316Z0	PLATE, INSULATING HEAT	1		
9 - 3	K3420000060	STRAINER, FUEL COCK 22	1		
9 - 4	K4260000150	CLAMP, HOSE 12	5		
9 - 5	K5000060002	WASHER, M6	6		
9 - 6	K0200080002	WASHER, SPRING M8	4		
9 - 7	K5000080002	WASHER, M8	4		
9 - 8	K0020060100	BOLT, SUS M6-10	4		
9 - 9	K0200060002	WASHER, SPRING M6	6		
9 - 10	K0000060152	BOLT, M6-15	2		
9 - 11	SP05---2305Z0	HOSE, LOW PERM 6.4-330	1		
9 - 12	SP05---2306Z0	HOSE, LOW PERM 6.4-565	1		
9 - 13	K4270015060	CLIP, HARNESS 15 M6	2		
9 - 14					
9 - 15	K4209001310	DECAL, LEAD-FREE GASOLINE	1		
9 - 16	K0020080200	BOLT, SUS M8-20	4		
9 - 17	SP05A--0301Z0	TANK COMP, FUEL	1		
9 - 18	K4205001910	DECAL, CAUTION NOT TO GET CAUGHT IN	1		
9 - 19	K4205001940	DECAL, DANGER "NO FIRE"	1		
9 - 20	K4205001920	DECAL, CAUTION HOT PARTS	1		
9 - 21	K4205001950	DECAL, CAUTION EXHAUST GAS	1		
9 - 22					
9 - 23	SP05A--0303Z0	BOARD, ADIABATIC LOWER	1		
9 - 24	Y446060	FO GAUGE(L=135)	1		
9 - 25	K1410000160	PLUG, FUEL TANK U	1		



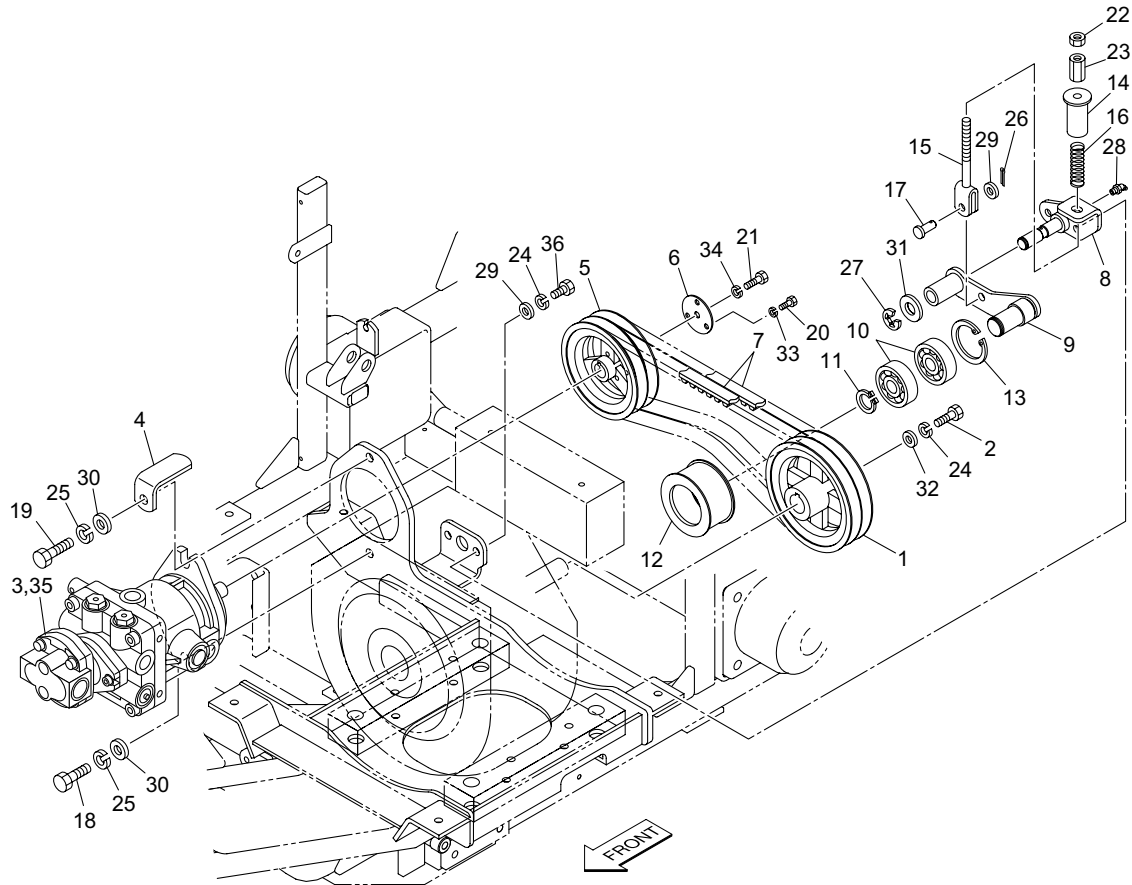
SP05A_10_z03

Cat No.	Code No.	Part name	Qty	Remark	SN of application
10 - 1	K4261036000	CLAMP, HOSE 4669	1		
10 - 2	K0144080002	NUT, W/F-RING M8	2		
10 - 3	K5012308352	WASHER, SPCC 2.3-8-35	2		
10 - 4	K5000080002	WASHER, M8	2		
10 - 5	PL809670	AIR CLEANER	1		
10 - 6	PL821136	AIR FILTER CARTRIDGE, INNER	1		
10 - 7	PL841497	AIR FILTER CARTRIDGE, OUTER	1		
10 - 8	PL809907	CAP, RAIN	1		
10 - 9	PL809878	CLAMP, AIR CLEANER	1		
10 - 10	PL841886	BRACKET, AIR CLEANER	1		
10 - 11	K0000080352	BOLT, M8-35	2		
10 - 12	PL842621	COVER, AIR CLEANER	1		
10 - 13	PL842623	VALVE DEVICE	1		



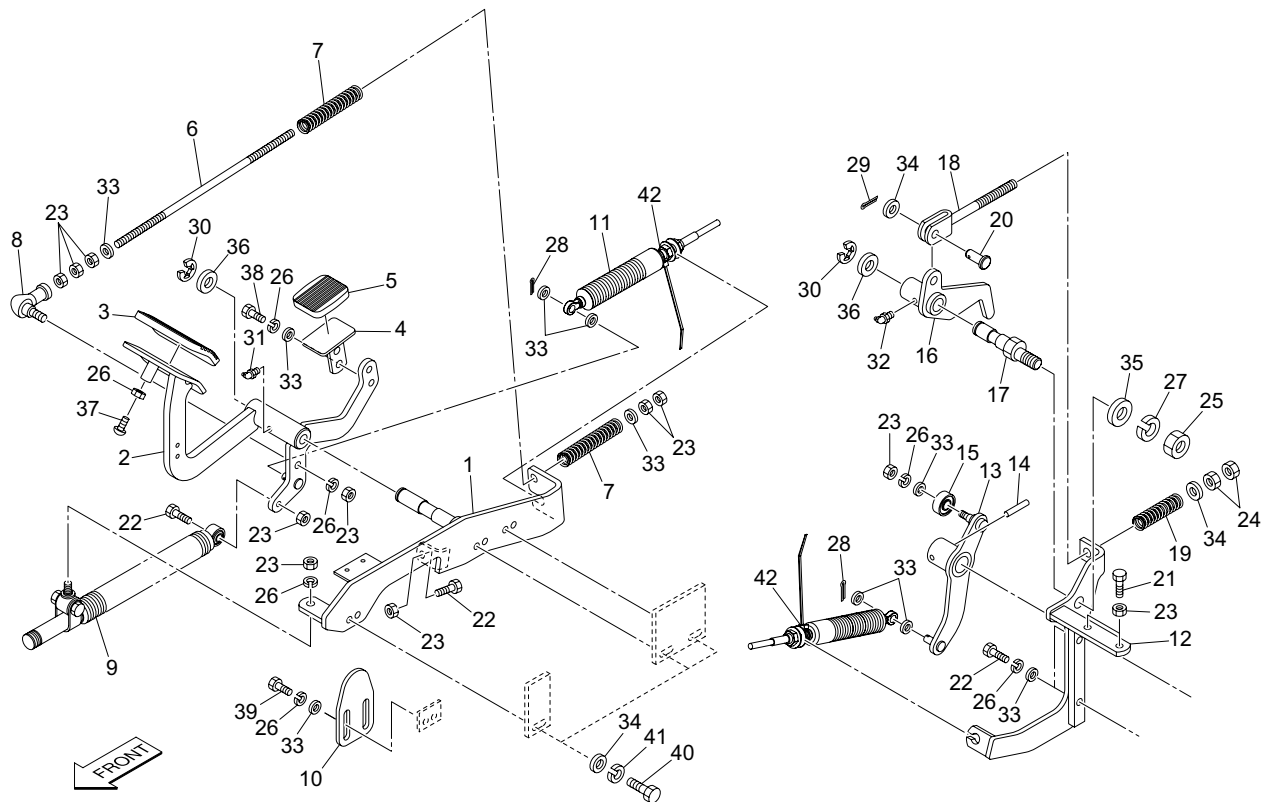
SP05A_11_z01

Cat No.	Code No.	Part name	Qty	Remark	SN of application
11 - 1	K242100007D	PULLEY, V B2-25.4-153	1		
11 - 2	K0069000052	BOLT, 3/8-24 UNF 25.4	1		
11 - 3	K3241000180	PUMP, PISTON PSV-16AHG-2	1		
11 - 4	SP05---0308ZD	ANGLE	1		
11 - 5	K242100008D	PULLEY, V B2-19-129	1		
11 - 6	K5130000452	PLATE, SPCC PULLEY STOPPER	1		
11 - 7	K2374220430	BELT, COGGED H-PXSB43-2	1	set of 2PCS	
11 - 8	SP05---0304ZD	FULCRUM, TENSION	1		
11 - 9	SP05---0305AD	LEVER, TENSION	1		
11 - 10	K0612063050	BEARING, BALL SEAL 2RD 6305	2		
11 - 11	K0400019002	RING, RETAINING E M19	1		
11 - 12	K2471400802	PULLEY, TENSION 4080	1		
11 - 13	K0402062001	RING, RETAINING R M62	1		
11 - 14	SP05---0307ZD	COVER, SPRING	1		
11 - 15	K7303000092	ADJUSTER, LEVER	1		
11 - 16	K1000000048	SPRING, COMPRESSION M3.2-16.9-60	1		
11 - 17	K6031100258	PIN, FLAT HEAD HT M10-25	1		
11 - 18	K0000120302	BOLT, M12-30	1		
11 - 19	K0000120352	BOLT, M12-35	1		
11 - 20	K0000060102	BOLT, M6-10	3		
11 - 21	K0000080202	BOLT, M8-20	1		
11 - 22	K0100100002	NUT, M10	1		
11 - 23	K0149107152	NUT, HIGH M10-17-15	1		
11 - 24	K0200100002	WASHER, SPRING M10	3		
11 - 25	K0200120002	WASHER, SPRING M12	2		
11 - 26	K0300025202	PIN, COTTER M2.5-20	1		
11 - 27	K0400012002	RING, RETAINING E M12	1		
11 - 28	K1440000020	GREASE NIPPLE, 90 TYPE C	1		
11 - 29	K5000100002	WASHER, M10	3		
11 - 30	K5000120002	WASHER, M12	2		



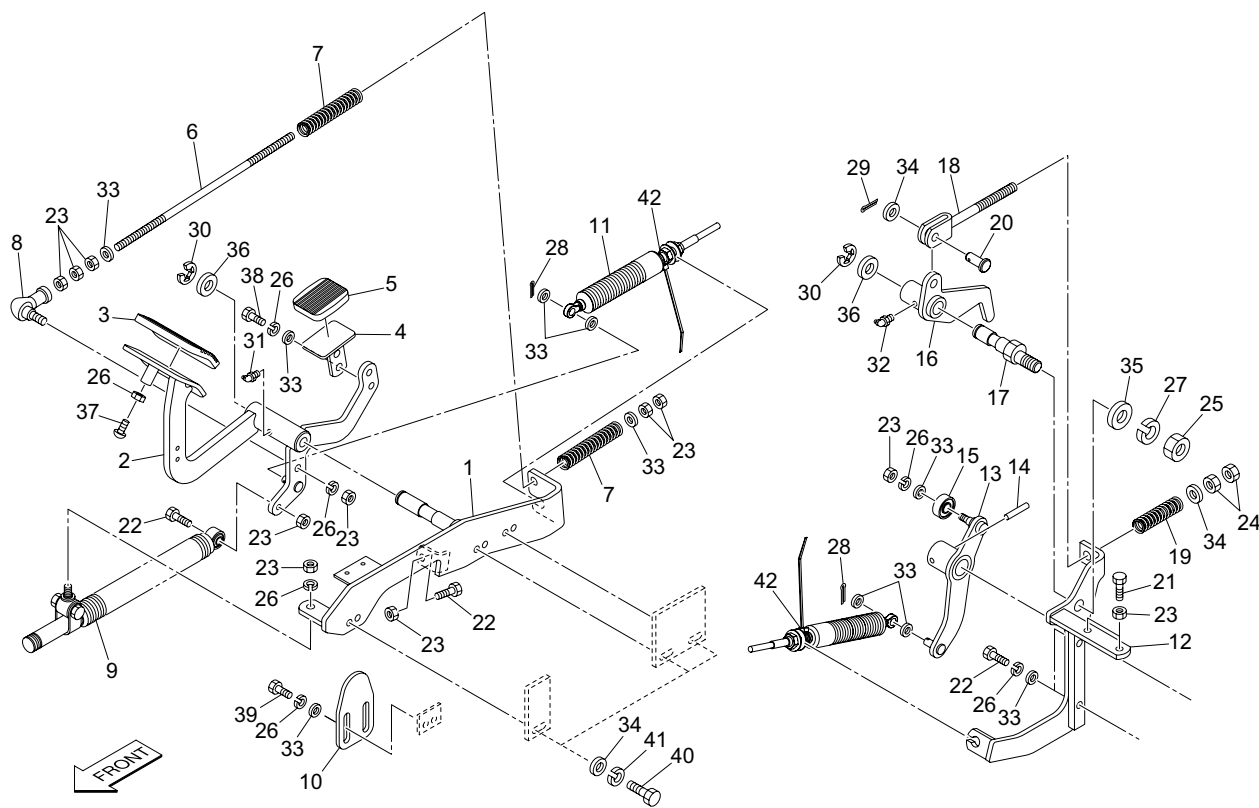
SP05A_11_z01

Cat No.	Code No.	Part name	Qty	Remark	SN of application
11 - 31	K5011016222	WASHER, SPCC 1-16-22	1		
11 - 32	K5073210352	WASHER, SPHC 3.2-10-35	1		
11 - 33	K0200060002	WASHER, SPRING M6	3		
11 - 34	K0200080002	WASHER, SPRING M8	1		
11 - 35	Y2063A-25176	REPAIR KIT, PSV16C-2-GP	1		
11 - 36	K0000100202	BOLT, M10-20	2		



SP05A_12_z01

Cat No.	Code No.	Part name	Qty	Remark	SN of application
12 - 1	SP05---0321ZD	FULCRUM, TRAVELING PEDAL	1		
12 - 2	SP05---0320ZD	PEDAL, TRAVELING	1		
12 - 3	K4050000050	RUBBER, FOR PEDAL 70100	1		
12 - 4	SP05---0322AD	PEDAL, REVERSE	1		
12 - 5	K4050000020	RUBBER, FOR PEDAL 4560	1		
12 - 6	SP05---0323Z2	ROD, PEDAL NEUTRAL	1		
12 - 7	K1000000718	SPRING, COMPRESSION M2.3-15.6-80	2		
12 - 8	K1608080000	JOINT, SPHERICAL SQ8	1		
12 - 9	K3380000030	DAMPER	1		
12 - 10	SP05---0324ZD	PLATE, ADJUSTING SPEED	1		
12 - 11	K1160075510	CABLE, PUSH-PULL 755	1		
12 - 12	SP05---0330ZD	BRACKET, TRAVELING CABLE	1		
12 - 13	SP05---0331ZD	LEVER, TRUNNION	1		
12 - 14	K0324060321	PIN, SPIRAL M6-32	1		
12 - 15	K0608006290	BEARING, BALL SEAL 2RS 629	1		
12 - 16	SP05---0332ZD	LEVER, NEUTRALIZING PUMP	1		
12 - 17	K6123000112	SHAFT, THREADED M14-95.5	1		
12 - 18	K7303000092	ADJUSTER, LEVER	1		
12 - 19	K1000000048	SPRING, COMPRESSION M3.2-16.9-60	1		
12 - 20	K6031100258	PIN, FLAT HEAD HT M10-25	1		
12 - 21	K0000080252	BOLT, M8-25	2		
12 - 22	K0000080302	BOLT, M8-30	4		
12 - 23	K0100080002	NUT, M8	12		
12 - 24	K0100100002	NUT, M10	2		
12 - 25	K0103140002	NUT, P1.5 M14	1		
12 - 26	K0200080002	WASHER, SPRING M8	9		
12 - 27	K0200140002	WASHER, SPRING M14	1		
12 - 28	K0300020202	PIN, COTTER M2-20	2		
12 - 29	K0300025202	PIN, COTTER M2.5-20	1		
12 - 30	K0400012002	RING, RETAINING E M12	2		

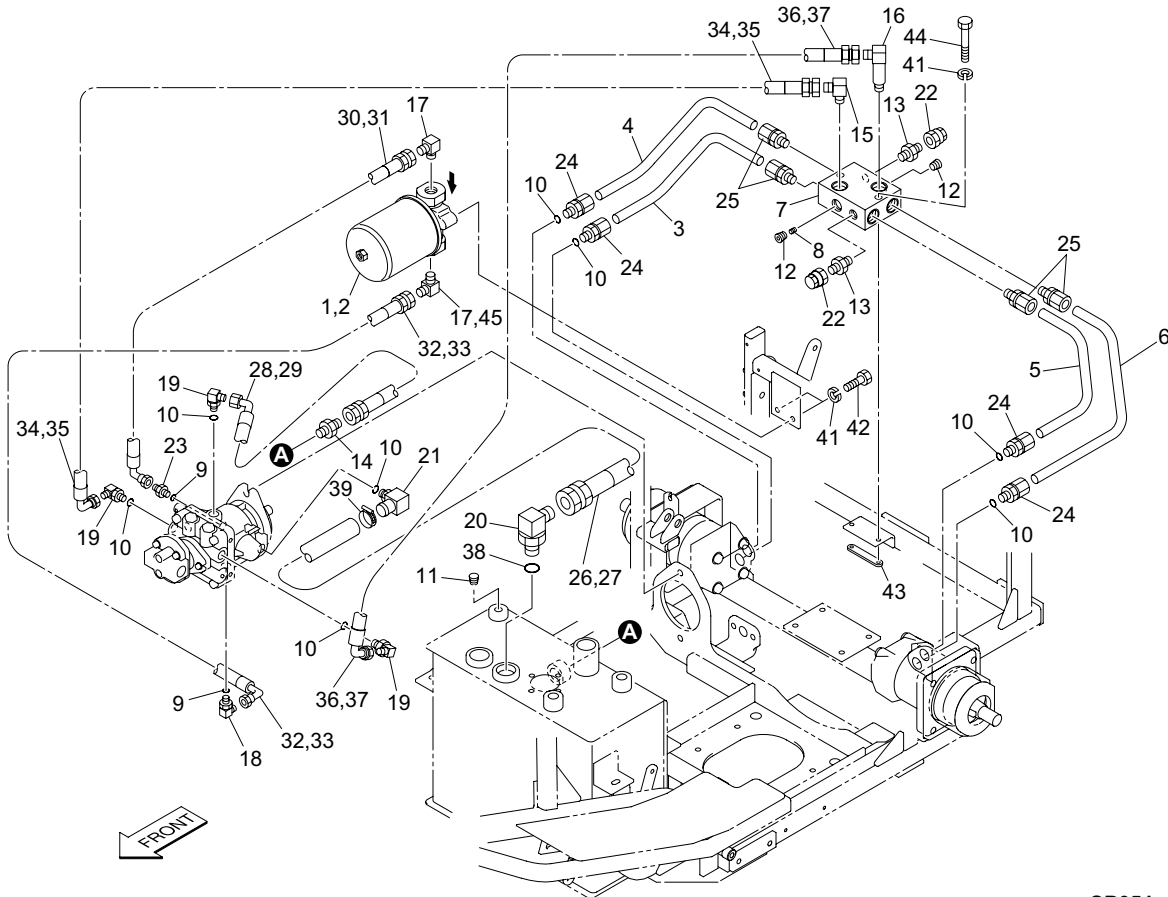


SP05A_12_z01

Cat No.	Code No.	Part name	Qty	Remark	SN of application
12 - 31	K1440000020	GREASE NIPPLE, 90 TYPE C	1		
12 - 32	K1440000030	GREASE NIPPLE, 67.5 TYPE B	1		
12 - 33	K5000080002	WASHER, M8	11		
12 - 34	K5000100002	WASHER, M10	5		
12 - 35	K5000140002	WASHER, M14	1		
12 - 36	K5051016240	WASHER, C5191P 1-16-24	2		
12 - 37	K0056080200	SCREW, SUS + TRUSS M8-20	1		
12 - 38	K0000080152	BOLT, M8-15	2		
12 - 39	K0000080202	BOLT, M8-20	2		
12 - 40	K0000100202	BOLT, M10-20	3		
12 - 41	K0200100002	WASHER, SPRING M10	3		
12 - 42	K4241000120	BAND, PLASTIC TRCV-100W	2		

13. Hydraulic section A (Traveling related parts)

SP05A

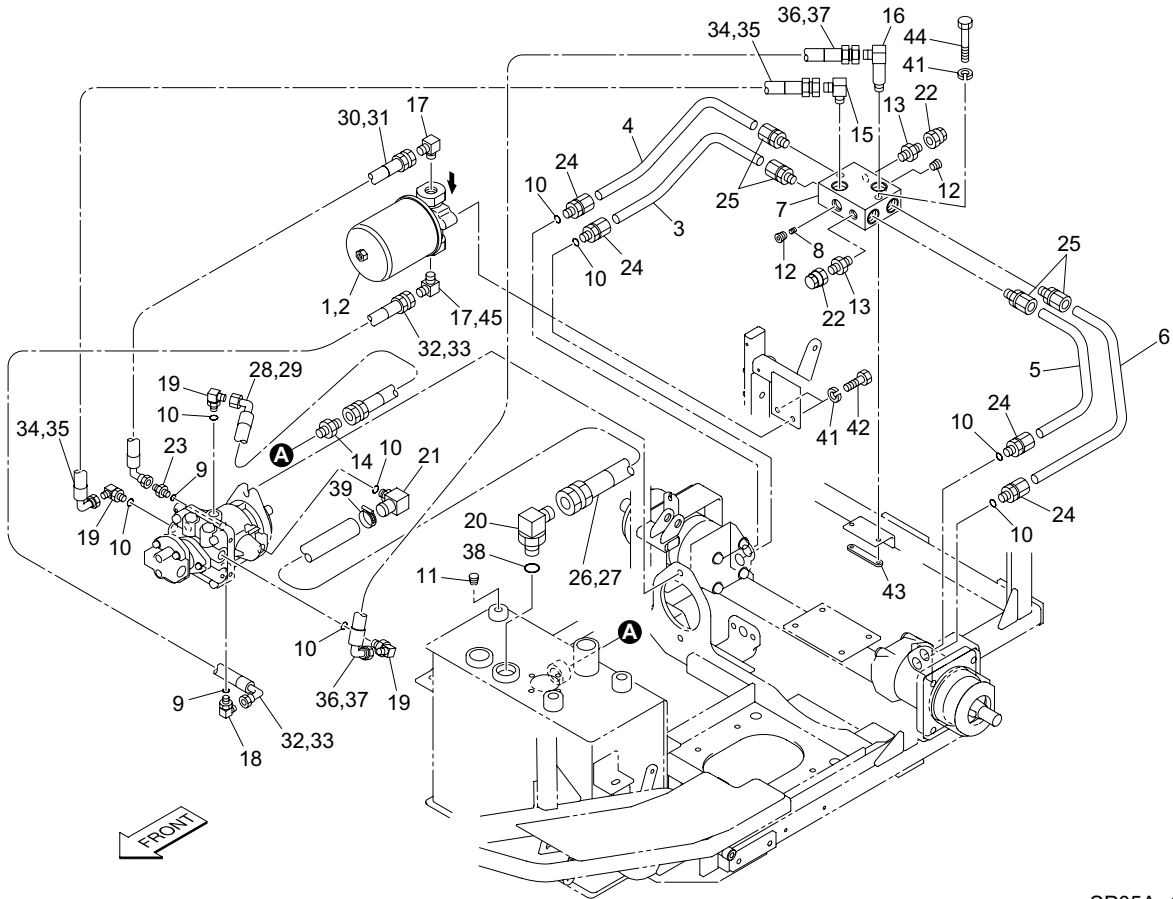


SP05A_13_z02

Cat No.	Code No.	Part name	Qty	Remark	SN of application
13 - 1	K3412000010	FILTER, CARTRIDGE SP04	1		
13 - 2	K3412000050	FILTER, C-SP04-10	1		
13 - 3	SP05---0403Z2-Y	PIPE, A	1		
13 - 4	SP05---0404Z2-Y	PIPE, B	1		
13 - 5	SP05---0405Z2-Y	PIPE, C	1		
13 - 6	SP05---0406Z2-Y	PIPE, D	1		
13 - 7	SP05---0414A2-Y	MANIFOLD	1		
13 - 8	SP05---0407Z1	ORIFICE, PT1/8-0.7	1		
13 - 9	K0881014000	O-RING, P14B	2		
13 - 10	K0881018000	O-RING, P18B	8		
13 - 11	K1422104001-Y	PLUG, TAPERED W/HEX HOLE T1 1/4	1	for 2WD	
13 - 12	K1422106001-Y	PLUG, TAPERED W/HEX HOLE T1 3/8	2	for 2WD	
13 - 13	K3000060002-Y	ADAPTER, 1013-6	2		
13 - 14	K3000120002-Y	ADAPTER, 1013-12	1		
13 - 15	K3001120002-Y	ELBOW, 90 1033-12	1		
13 - 16	K3005000032-Y	ELBOW, LONG 1/2	1		
13 - 17	K3006000022-Y	ELBOW, ODD SIZED PT1/2*PF3/8	2	for 2WD	
13 - 18	K3008000032-Y	ELBOW, ADJUSTABLE 90 1086-9	1		
13 - 19	K3008000042-Y	ELBOW, ADJUSTABLE 90 1086-12	3		
13 - 20	K3008000052-Y	ELBOW, ADJUSTABLE 90 1086-19	1		
13 - 21	K3008000422-Y	ELBOW, ADJUSTABLE SFD4507	1		
13 - 22	K3008000482-Y	CAP, TAPPED FEMALE PF1/4	2		
13 - 23	K3009000142-Y	ADAPTER, PF3/8PF3/8	1		
13 - 24	K3026315081-Y	CONNECTOR, KCO 15-040E	4		
13 - 25	K3026615081-Y	CONNECTOR, KCT 15-040E	4		
13 - 26	SP05---0412Z0	HOSE, SUCTION 620	1		
13 - 27	K3192004300	TUBE, SPIRAL SP-20 430	1		
13 - 28	K3100430320	HOSE, WP35-12-3-320	1		
13 - 29	K3191001700	TUBE, SPIRAL SP-15 170	1		
13 - 30	K3101330550	HOSE, WP70-9-3-550	1		

13. Hydraulic section A (Traveling related parts)

SP05A

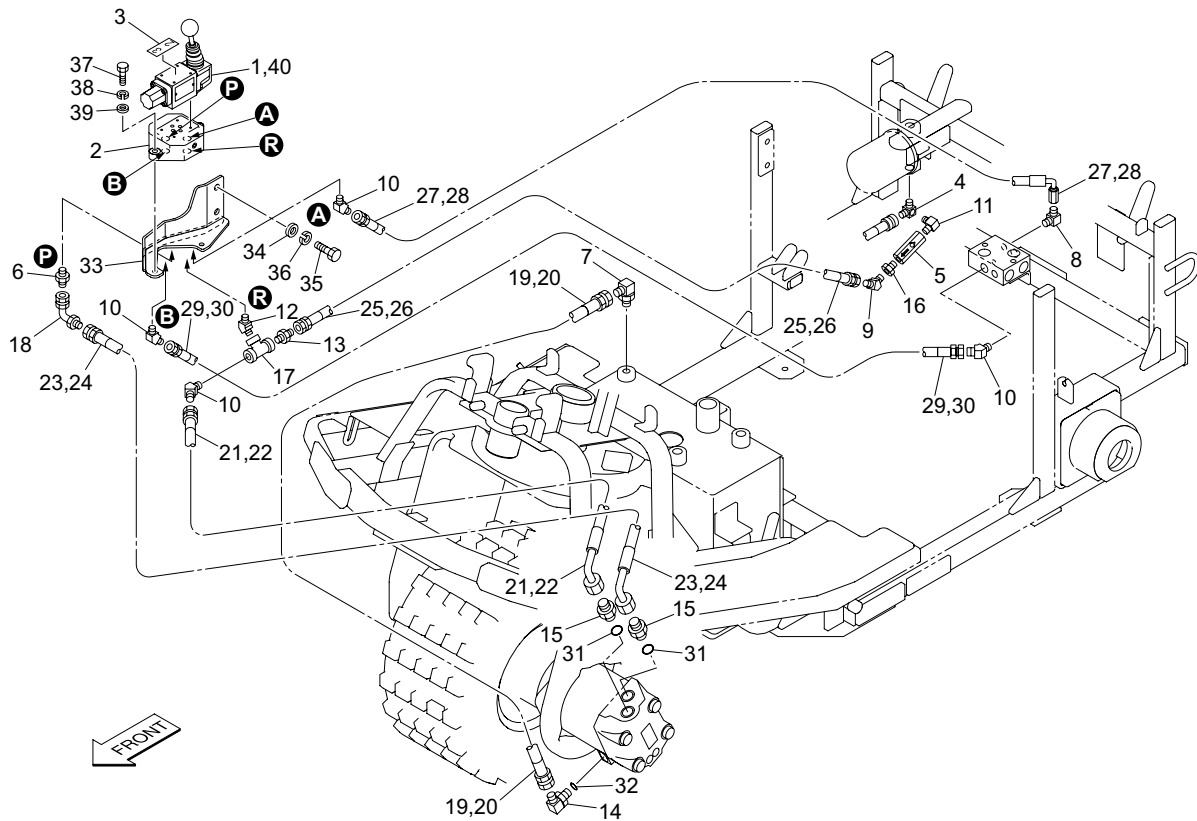


SP05A_13_z02

Cat No.	Code No.	Part name	Qty	Remark	SN of application
13 - 31	K3191004000	TUBE, SPIRAL SP-15 400	1		
13 - 32	K3101330600	HOSE, WP70-9-3-600	1		
13 - 33	K3191004500	TUBE, SPIRAL SP-15 450	1		
13 - 34	K3104430580	HOSE, WP175-12-3-580	1		
13 - 35	K3191004300	TUBE, SPIRAL SP-15 430	1		
13 - 36	K3104430630	HOSE, WP175-12-3-630	1		
13 - 37	K3191004800	TUBE, SPIRAL SP-15 480	1		
13 - 38	K0881024000	O-RING, P24B	1		
13 - 39	K4260000190	CLAMP, HOSE JUBILEE BAND 1	1		
13 - 40					
13 - 41	K0200080002	WASHER, SPRING M8	4		
13 - 42	K0000080202	BOLT, M8-20	2		
13 - 43	SP05A--0402ZD	MOUNT, W/M8	1		
13 - 44	K0000080502	BOLT, M8-50	2		
13 - 45	SP05--0413Z2-Y	ELBOW	1	for 3WD	

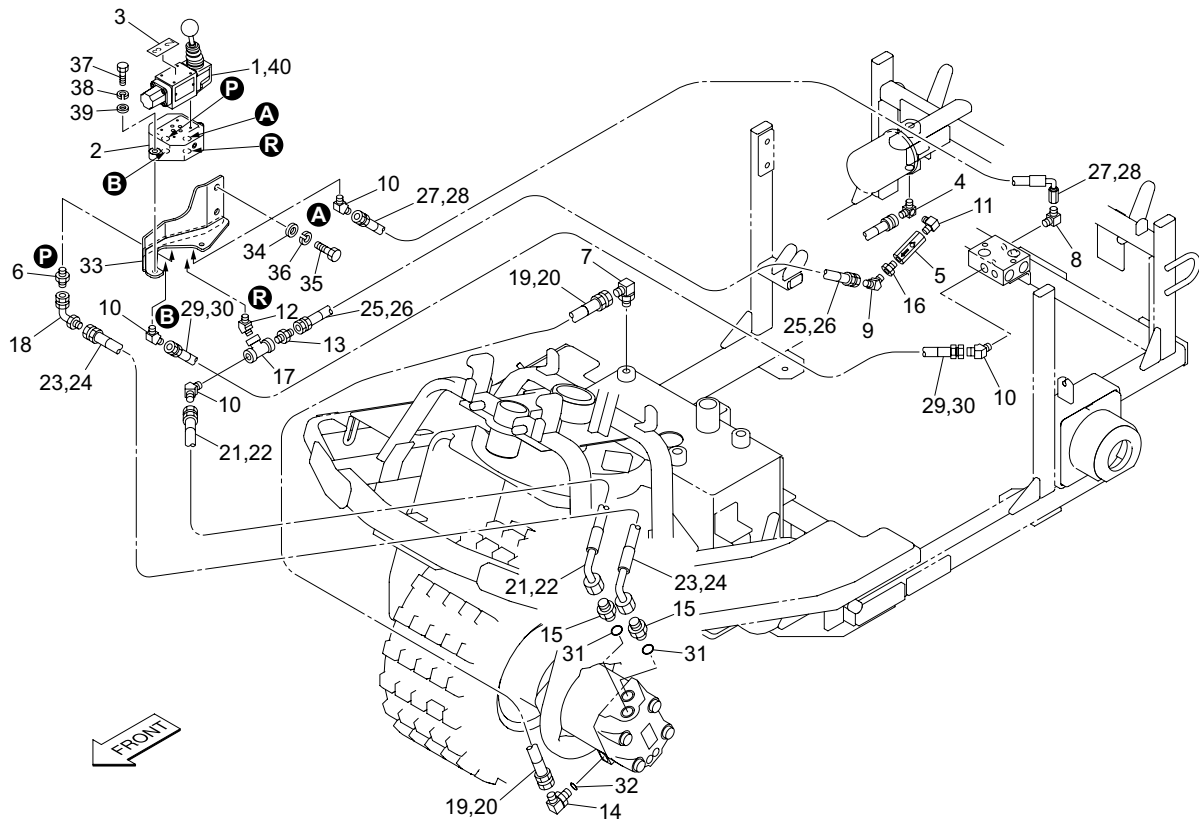
14. Hydraulic section B (Switching valve) for 3WD

SP05A



SP05A_14_z02

Cat No.	Code No.	Part name	Qty	Remark	SN of application
14 - 1	K3302000020	VALVE, MANUAL SWITCH HD-02376	1		
14 - 2	K3314000050	SUB-PLATE, SHD025-03T3A	1		
14 - 3	K4203001380	DECAL, 2WD-3WD SHIFT LEVER	1		
14 - 4	SP05--0413Z2-Y	ELBOW	1		
14 - 5	K3341000010	VALVE, CHECK HK3-ET1-03A	1		
14 - 6	K3000090002-Y	ADAPTER, 1013-9	1		
14 - 7	K3001060002-Y	ELBOW, 90 1033-6	1		
14 - 8	K3001090002-Y	ELBOW, 90 1033-9	1		
14 - 9	K3003060002-Y	ELBOW, 45 1035-6	1		
14 - 10	K3003090002-Y	ELBOW, 45 1035-9	4		
14 - 11	K3006000032-Y	ELBOW, ODD SIZED PT1/4*PT3/8	1		
14 - 12	K3006000142-Y	ELBOW, 45 PT3/8	1		
14 - 13	K3007000062-Y	ADAPTER, ODD SIZED PT3/8*PF1/4	1		
14 - 14	K3008000442-Y	ADAPTER, 90 1086-6	1		
14 - 15	K3009000022-Y	ADAPTER, PF1/2*PF3/8	2		
14 - 16	K3020060401-Y	BUSHING, BUT 3/8*1/4	1		
14 - 17	K3021060002-Y	TEE, TEF PT3/8	1		
14 - 18	K3025069062-Y	ADAPTER, FOR PIPE 069-06	1		
14 - 19	K3101211320	HOSE, WP70-6-1-1320	1		
14 - 20	K3190011700	TUBE, SPIRAL SP-12 1170	1		
14 - 21	K3103321580	HOSE, WP140-9-2-1580	1		
14 - 22	K3191014300	TUBE, SPIRAL SP-15 1430	1		
14 - 23	K3103321610	HOSE, WP140-9-2-1610	1		
14 - 24	K3191014600	TUBE, SPIRAL SP-15 1460	1		
14 - 25	K3101210220	HOSE, WP70-6-1-220	1		
14 - 26	K3190000700	TUBE, SPIRAL SP-12 70	1		
14 - 27	K3103330530	HOSE, WP140-9-3-530	1		
14 - 28	K3191003800	TUBE, SPIRAL SP-15 380	1		
14 - 29	K3103310480	HOSE, WP140-9-1-480	1		
14 - 30	K3191003300	TUBE, SPIRAL SP-15 330	1		

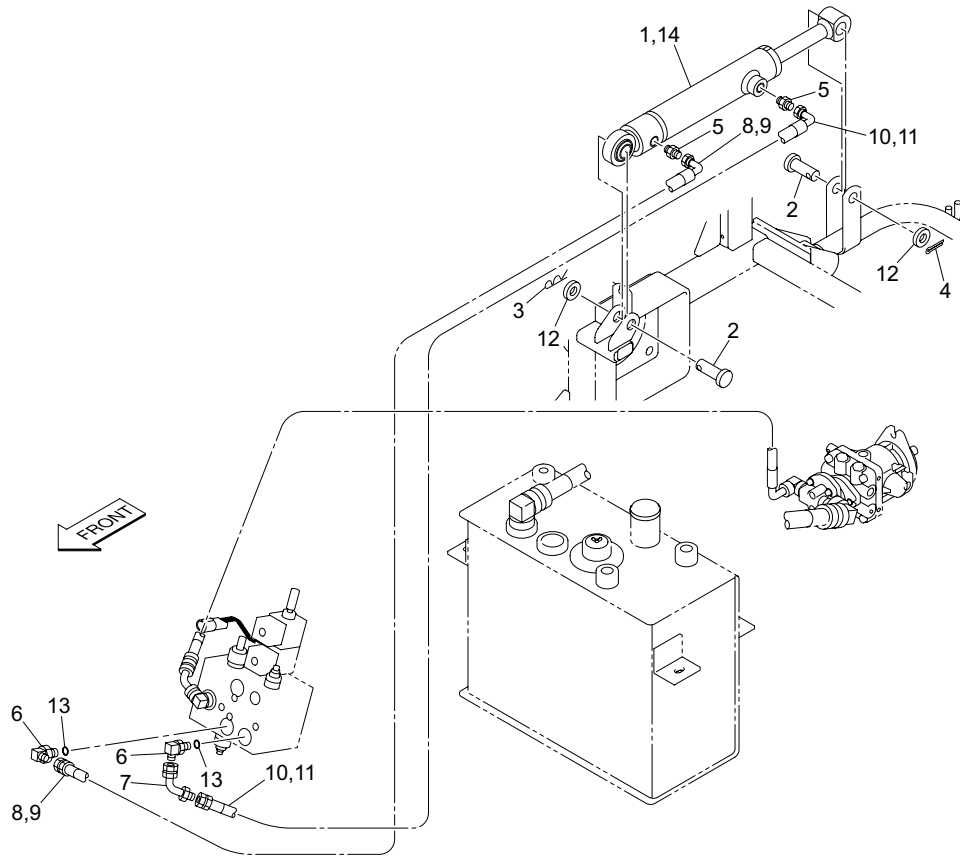


SP05A_14_z02

Cat No.	Code No.	Part name	Qty	Remark	SN of application
14 - 31	K0881018000	O-RING, P18B	2		
14 - 32	K0881011000	O-RING, P11B	1		
14 - 33	SP05--0421ZD	MOUNT, SWITCHING VALVE	1		
14 - 34	K5000100002	WASHER, M10	2		
14 - 35	K0000100202	BOLT, M10-20	2		
14 - 36	K0200100002	WASHER, SPRING M10	2		
14 - 37	K0000080252	BOLT, M8-25	2		
14 - 38	K0200080002	WASHER, SPRING M8	2		
14 - 39	K5000080002	WASHER, M8	2		
14 - 40	K0880009000	O-RING, P9	4		

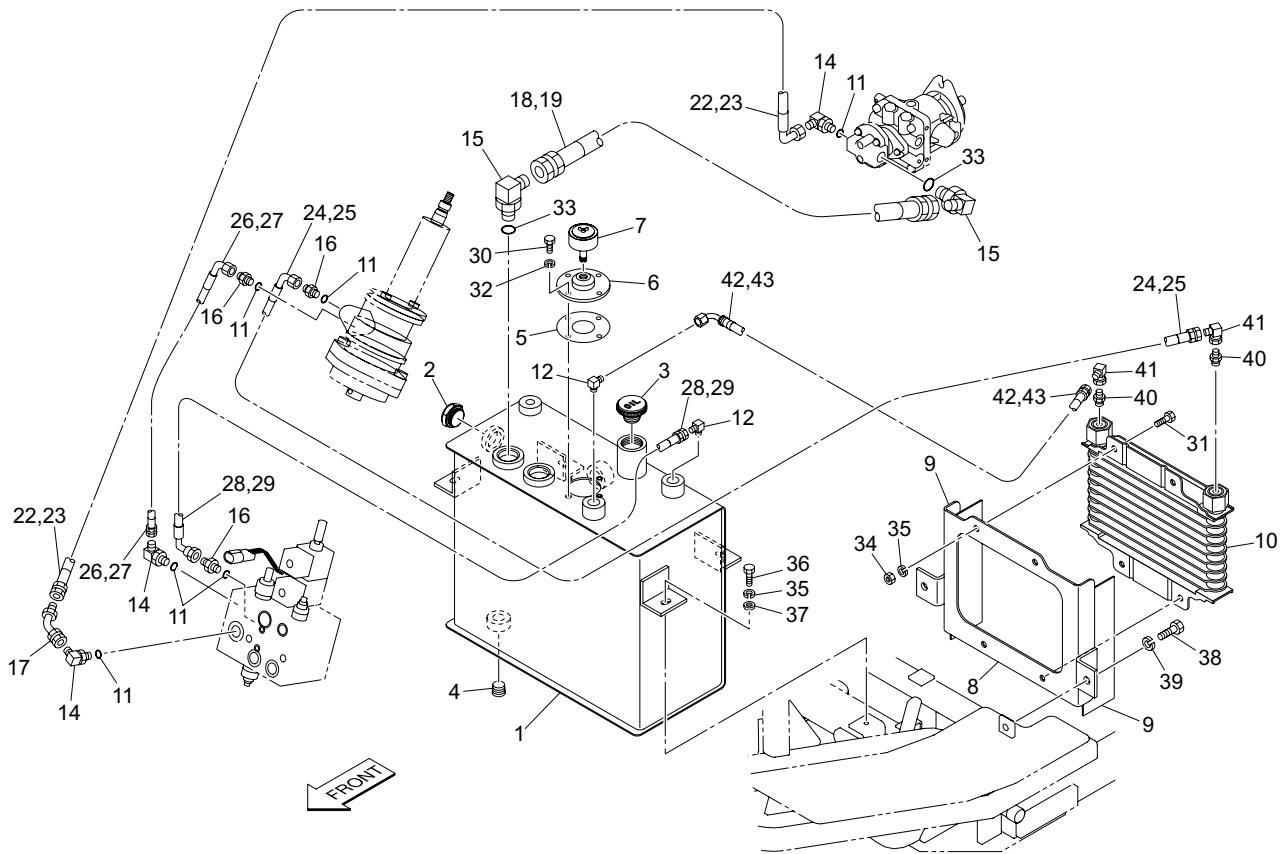
15. Hydraulic section C (Cylinder)

SP05A



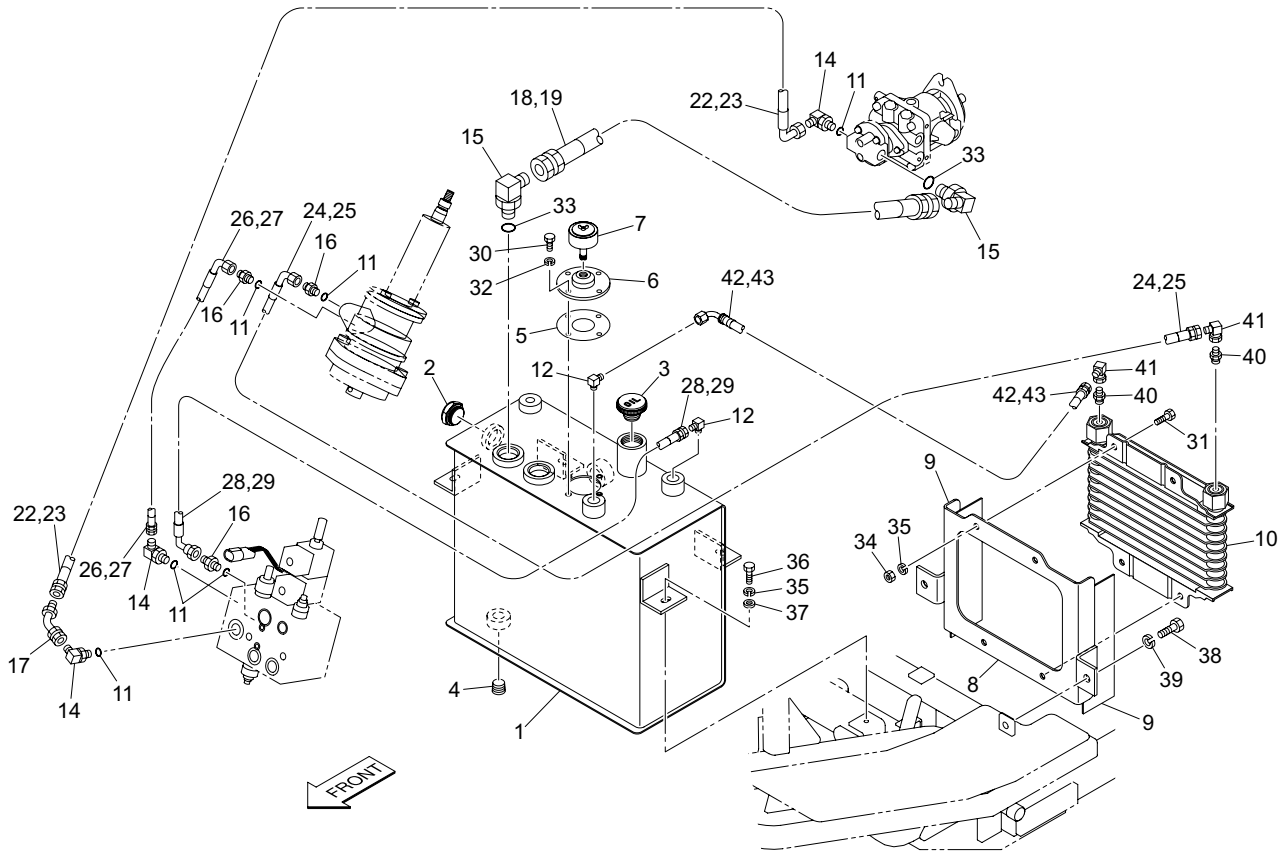
SP05A_15_z01

Cat No.	Code No.	Part name	Qty	Remark	SN of application
15 - 1	K321300004D	CYLINDER, 30-125-310	1		
15 - 2	K6031160402	PIN, FLAT HEAD HT M16-40	2		
15 - 3	K0331600008	PIN, SNAP M16	1		
15 - 4	K0300032252	PIN, COTTER M3.2-25	1		
15 - 5	K3000060002-Y	ADAPTER, 1013-6	2		
15 - 6	K3008000442-Y	ADAPTER, 90 1086-6	2		
15 - 7	K3025064042-Y	ADAPTER, FOR PIPE 064-04	1		
15 - 8	K3102231530	HOSE, WP105-6-3-1530	1		
15 - 9	K3190013800	TUBE, SPIRAL SP-12 1380	1		
15 - 10	K3102231600	HOSE, WP105-6-3-1600	1		
15 - 11	K3190014700	TUBE, SPIRAL SP-12 1470	1		
15 - 12	K5000160002	WASHER, M16	2		
15 - 13	K0881011000	O-RING, P11B	2		
15 - 14	YIS-30B-SK	SEAL KIT, CYLINDER	1		



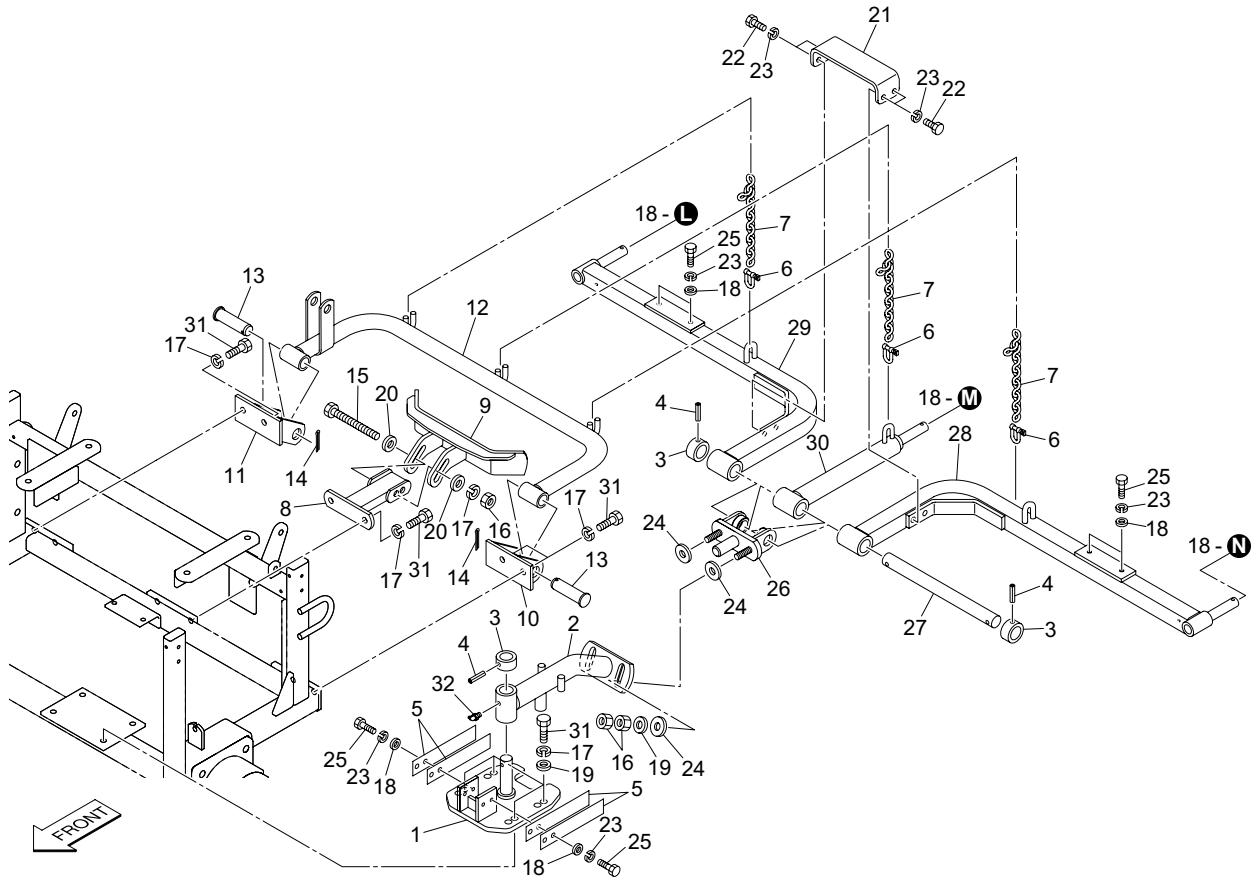
SP05A_16_z02

Cat No.	Code No.	Part name	Qty	Remark	SN of application
16 - 1	SP05---0401AD-Y	TANK, HYDRAULIC	1		
16 - 2	K1400000044-Y	GAUGE, OIL PF3/4 TYPE M	1		
16 - 3	K1310000140	CAP, OIL KRM-A4	1		
16 - 4	K1422106001-Y	PLUG, TAPERED W/HEX HOLE T1 3/8	1		
16 - 5	K4011000330	PACKING, OIL-SHEET 0.8-4575	1		
16 - 6	SP05---0402Z2-Y	MOUNT, BREATHER	1		
16 - 7	K1430000030	BREATHER, AIR AP-02	1		
16 - 8	SP05---0410BD	BRACKET, OIL COOLER	1		
16 - 9	K4033000510	RUBBER, PLATE 2-60200	2		
16 - 10	K3430000040	OIL COOLER	1		
16 - 11	K0881014000	O-RING, P14B	6		
16 - 12	K3001090002-Y	ELBOW, 90 1033-9	2		
16 - 13	K3006000022-Y	ELBOW, ODD SIZED PT1/2*PF3/8	2		
16 - 14	K3008000032-Y	ELBOW, ADJUSTABLE 90 1086-9	3		
16 - 15	K3008000052-Y	ELBOW, ADJUSTABLE 90 1086-19	2		
16 - 16	K3009000142-Y	ADAPTER, PF3/8PF3/8	3		
16 - 17	K3025064062-Y	ADAPTER, FOR PIPE 064-06	1		
16 - 18	K3100610390	HOSE, WP35-19-1-390	1		
16 - 19	K3192001900	TUBE, SPIRAL SP-20 190	1		
16 - 20	K3101310190	HOSE, WP70-9-1-190	1		
16 - 21	K3191000400	TUBE, SPIRAL SP-15 40	1		
16 - 22	K3101331030	HOSE, WP70-9-3-1030	1		
16 - 23	K3191008800	TUBE, SPIRAL SP-15 880	1		
16 - 24	K3101331290	HOSE, WP70-9-3-1290	1		
16 - 25	K3191011400	TUBE, SPIRAL SP-15 1140	1		
16 - 26	K3102330320	HOSE, WP105-9-3-320	1		
16 - 27	K3191001700	TUBE, SPIRAL SP-15 170	1		
16 - 28	K3102331050	HOSE, WP105-9-3-1050	1		
16 - 29	K3191009000	TUBE, SPIRAL SP-15 900	1		
16 - 30	K0000060152	BOLT, M6-15	4		



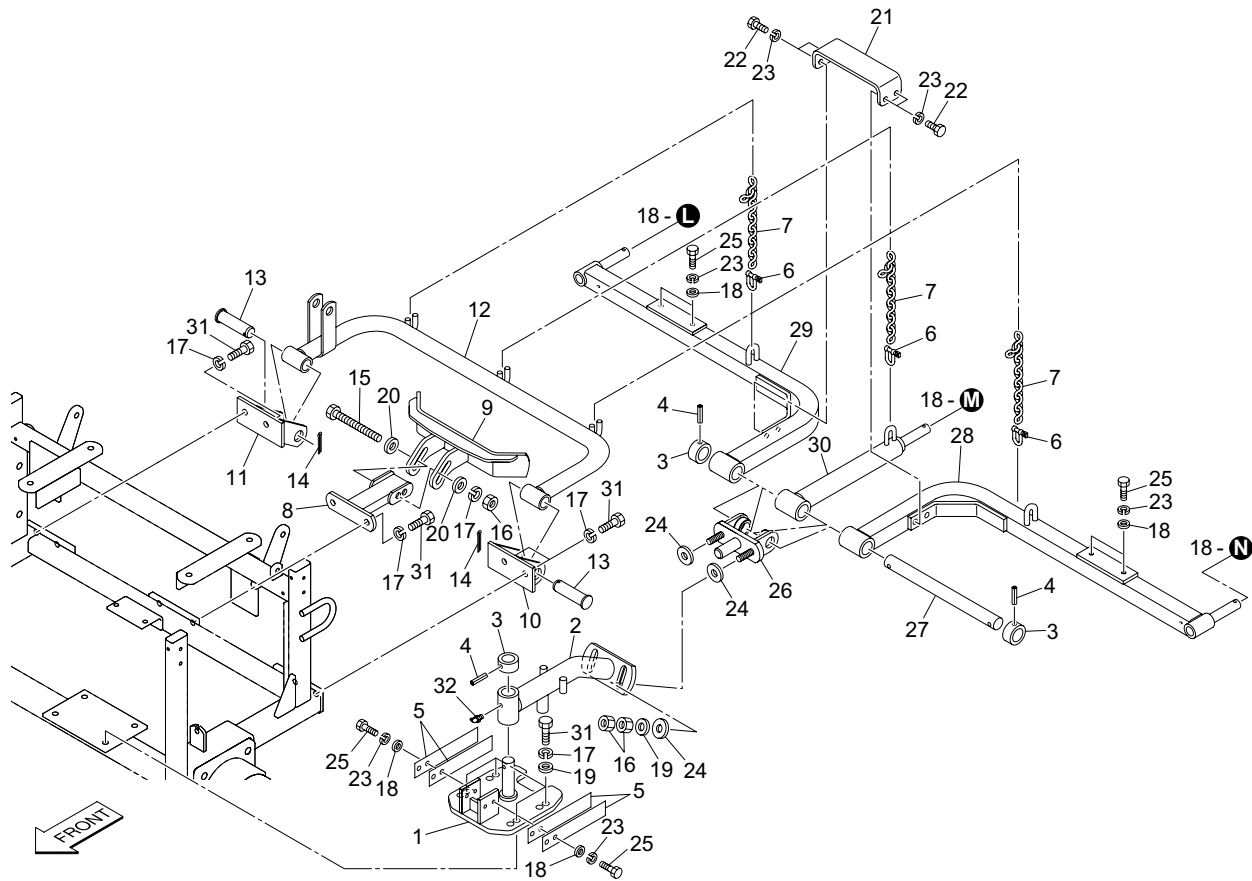
SP05A_16_z02

Cat No.	Code No.	Part name	Qty	Remark	SN of application
16 - 31	K0000080152	BOLT, M8-15	4		
16 - 32	K0200060002	WASHER, SPRING M6	4		
16 - 33	K0881024000	O-RING, P24B	2		
16 - 34	K0100080002	NUT, M8	4		
16 - 35	K0200080002	WASHER, SPRING M8	8		
16 - 36	K0000080152	BOLT, M8-15	4		
16 - 37	K5000080002	WASHER, M8	4		
16 - 38	K0000100152	BOLT, M10-15	2		
16 - 39	K0200100002	WASHER, SPRING M10	2		
16 - 40	K3007000022-Y	ADAPTER, ODD SIZED PT1/2*PF3/8	2		
16 - 41	K3008000972-Y	ELBOW, UNION G3/8	2		
16 - 42	K3101330410	HOSE, WP70-9-3-410	1		
16 - 43	K3191003100	TUBE, SPIRAL SP-15 310	1		



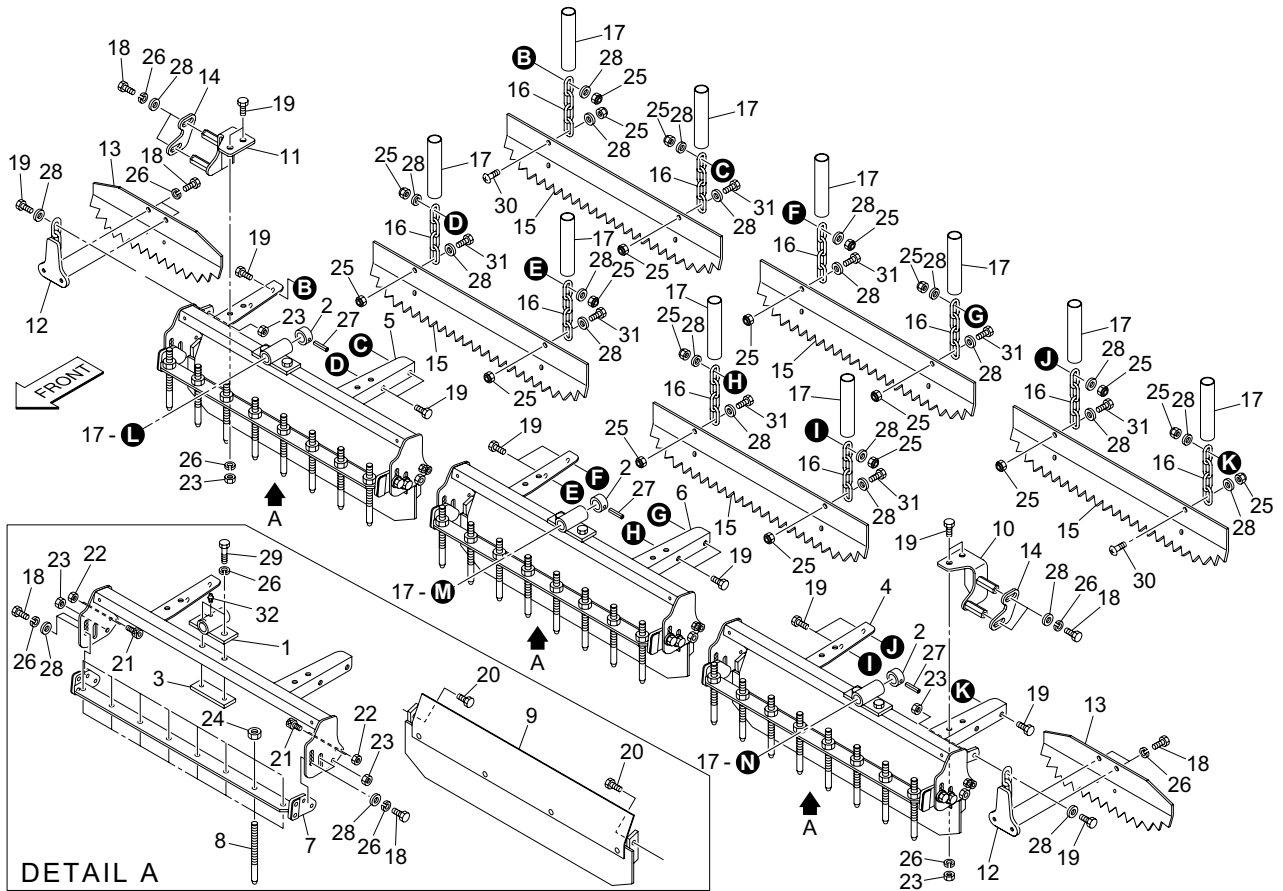
SP05A_17_z01

Cat No.	Code No.	Part name	Qty	Remark	SN of application
17 - 1	SP05---0701ZD	FULCRUM, RAKE	1		
17 - 2	SP05---0702AD	PIPE, RAKE FULCRUM	1		
17 - 3	K6215000212	COLLAR, STKM W/HOLE M20-30-17	3		
17 - 4	K0324060321	PIN, SPIRAL M6-32	3		
17 - 5	K1090000110	SPRING, PLATE M2-40200	4		
17 - 6	K0410800002	SHACKLES, M8	3		
17 - 7	K4535000022	CHAINS, CROSS LINK B6-8	3		
17 - 8	SP05---0724ZD	STAY, RAKE FIXTURE	1		
17 - 9	SP05---0725ZD	FIXTURE, RAKE	1		
17 - 10	SP165--0602ZD	BRACKET, DOZER BLADE ARM (LH)	1		
17 - 11	SP165--0603ZD	BRACKET, DOZER BLADE ARM (RH)	1		
17 - 12	SP05---0727ZD	ARM, HANGING RAKE	1		
17 - 13	K6031200702	PIN, FLAT HEAD HT M20-70	2		
17 - 14	K0300040322	PIN, COTTER M4-32	2		
17 - 15	K0000100802	BOLT, M10-80	1		
17 - 16	K0100100002	NUT, M10	5		
17 - 17	K0200100002	WASHER, SPRING M10	11		
17 - 18	K5000080002	WASHER, M8	8		
17 - 19	K5000100002	WASHER, M10	6		
17 - 20	K5073210262	WASHER, SPHC 3.2-10-26	2		
17 - 21	SP05---0707ZD	FITTING, U-SHAPED 160	1		
17 - 22	K0010080152	BOLT, HT M8-15	4		
17 - 23	K0200080002	WASHER, SPRING M8	12		
17 - 24	K5051010260	WASHER, C5191P 1-10-26	4		
17 - 25	K0000080202	BOLT, M8-20	8		
17 - 26	SP05---0729AD	FULCRUM, SWINGING RAKE	1		
17 - 27	SP05---0730Z0	SHAFT, RAKE M20-194	1		
17 - 28	SP05---0731ZD	PIPE, RAKE (LH)	1		
17 - 29	SP05---0732ZD	PIPE, RAKE (RH)	1		
17 - 30	SP05---0733ZD	PIPE, RAKE (MIDDLE)	1		



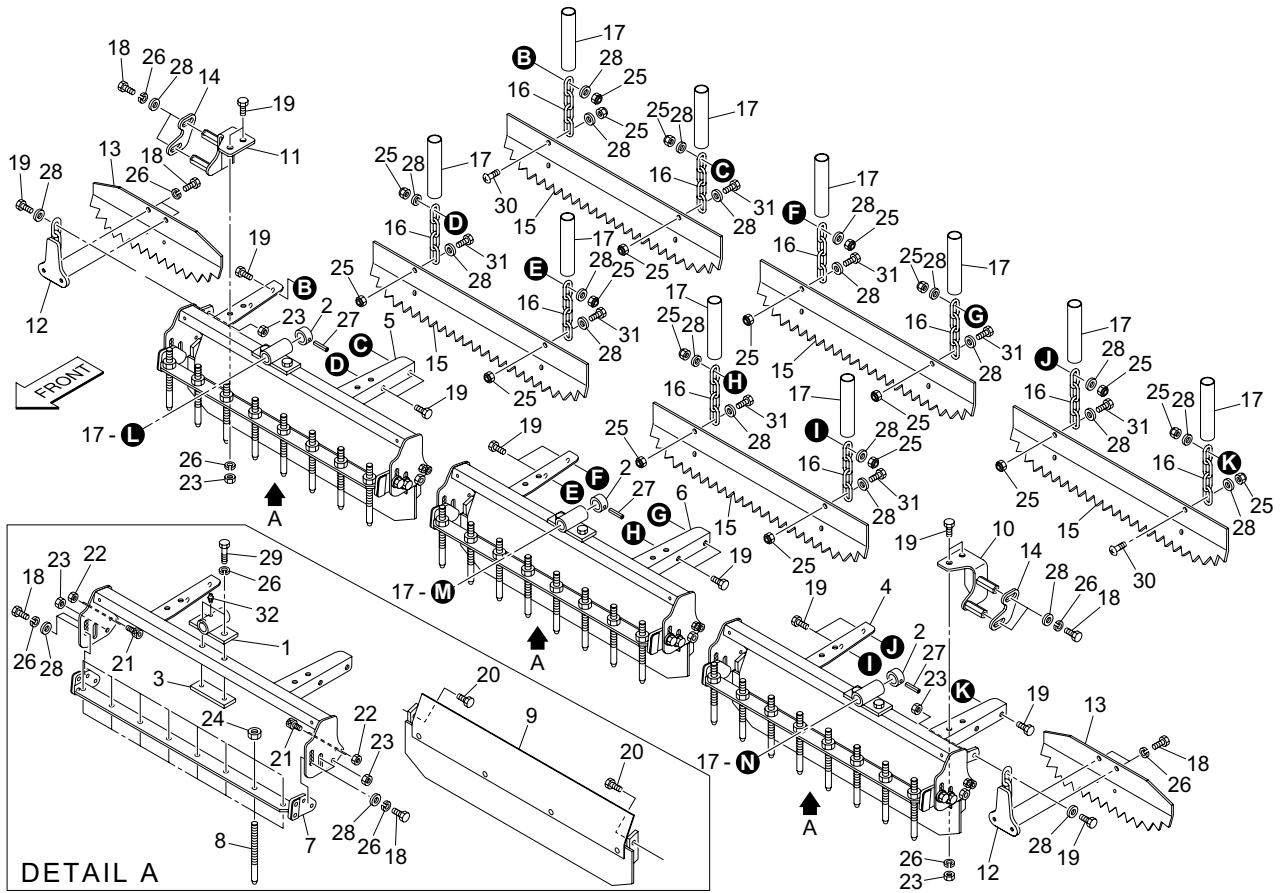
SP05A_17_z01

Cat No.	Code No.	Part name	Qty	Remark	SN of application
17 - 31	K0000100202	BOLT, M10-20	10		
17 - 32	K1440000030	GREASE NIPPLE, 67.5 DEG TYPE B	1		



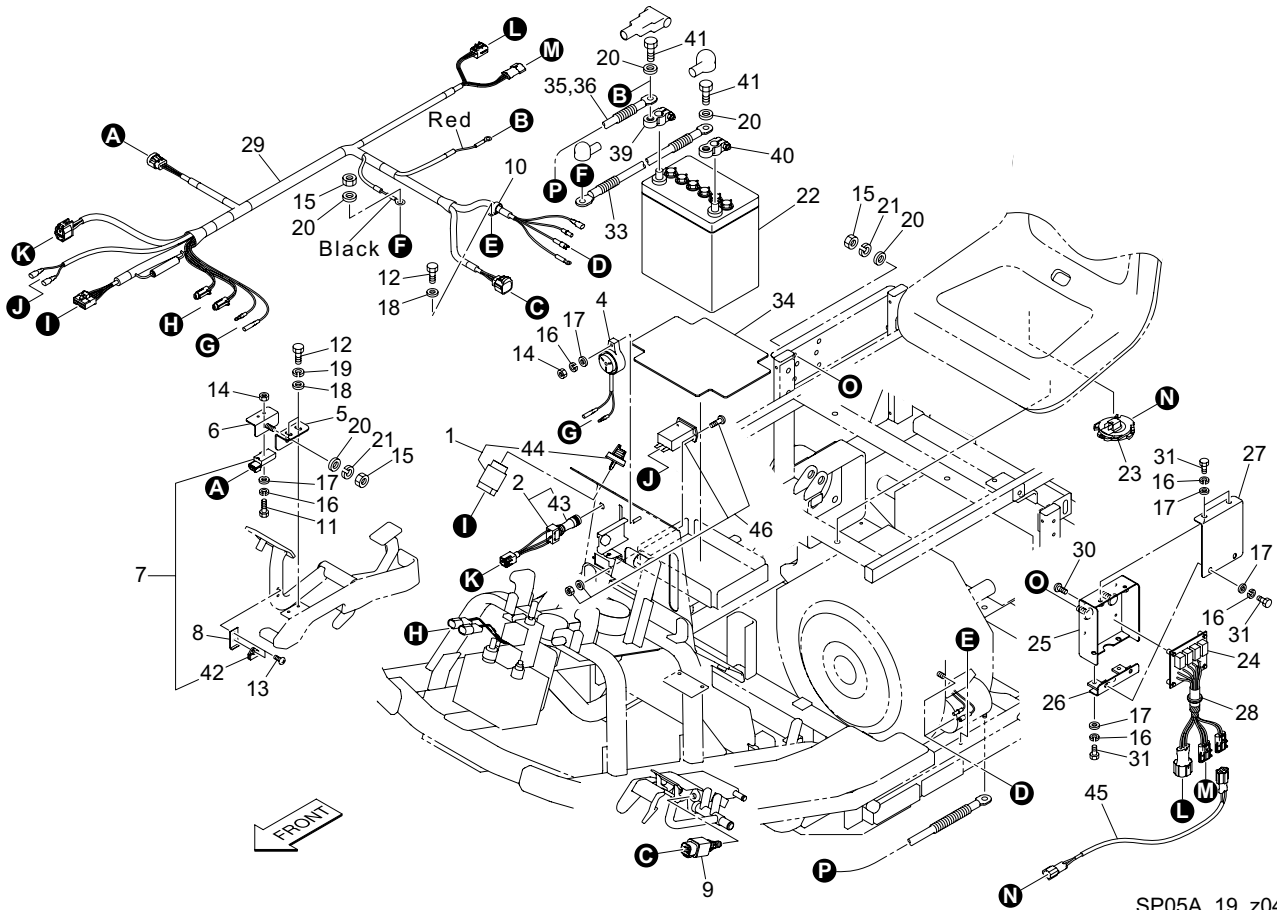
SP05A_18_z01

Cat No.	Code No.	Part name	Qty	Remark	SN of application
18 - 1	SP05---0711AD	BRACKET, MOUNTING RAKE	3		
18 - 2	K6215000222	COLLAR, STKM W/HOLE M16-25-13	3		
18 - 3	K514200040D	PLATE, 6 W/ 2-M8 2550	3		
18 - 4	SP05---0713ZD	FRAME, RAKE (LH)	1		
18 - 5	SP05---0714ZD	FRAME, RAKE (RH)	1		
18 - 6	SP05---0715ZD	FRAME, RAKE (CENTER)	1		
18 - 7	SP05---0716ZD	BRACKET, FORK	3		
18 - 8	K6175000218	BAR, THREADED FORK PRONG	24		
18 - 9	SP05---0717AD	RUNNERS	3		
18 - 10	SP05---0718ZD	GUIDE, SIDE SMOOTHER (LH)	1		
18 - 11	SP05---0719ZD	GUIDE, SIDE SMOOTHER (RH)	1		
18 - 12	SP05---0720ZD	BRACKET, SIDE SMOOTHER	2		
18 - 13	SP05---0723AD	PLATE, SIDE SMOOTHER 20-15	2		
18 - 14	SP05---0721ZD	PLATE, STOPPER	2		
18 - 15	SP05---0722ZD	PLATE, SMOOTHER 20-15 DEG	5		
18 - 16	K4532000012	CHAINS, GENERAL USE 4.8-4	10		
18 - 17	K3172200800	HOSE, VINYL 19*23-80	10		
18 - 18	K0000080152	BOLT, M8-15	20		
18 - 19	K0000080202	BOLT, M8-20	16		
18 - 20	K0010080202	BOLT, HT M8-20	6		
18 - 21	K0060060120	BOLT, SUS W/HEX HOLE M6-12	12		
18 - 22	K0100060002	NUT, M6	12		
18 - 23	K0100080002	NUT, M8	12		
18 - 24	K0100100002	NUT, M10	24		
18 - 25	K0144080002	NUT, W/F-RING M8	20		
18 - 26	K0200080002	WASHER, SPRING M8	30		
18 - 27	K0320050251	PIN, SPRING M5-25	3		
18 - 28	K5000080002	WASHER, M8	38		
18 - 29	K0010080402	BOLT, HT M8-40	6		
18 - 30	K0056080300	SCREW, SUS + TRUSS M8-30	2		



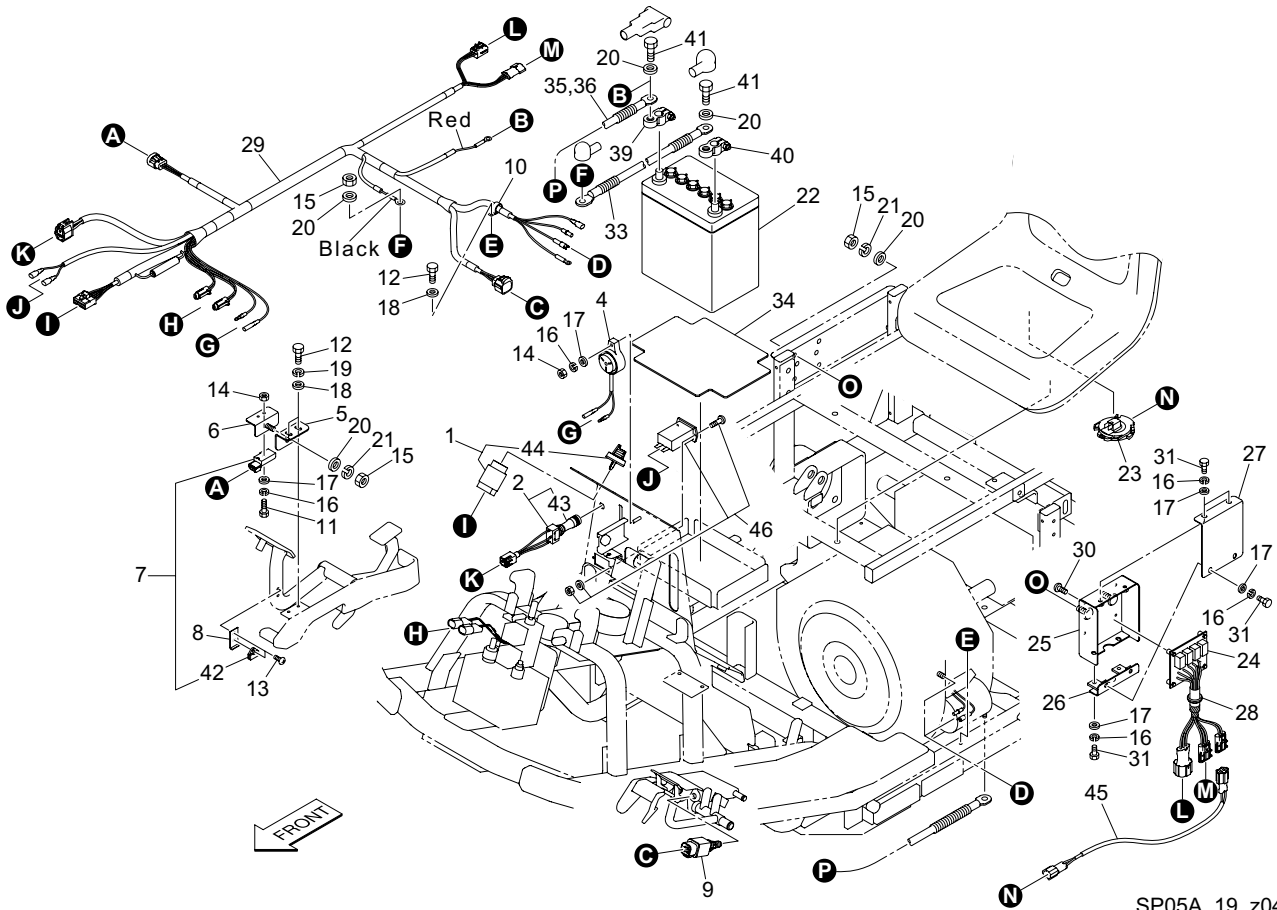
SP05A_18_z01

Cat No.	Code No.	Part name	Qty	Remark	SN of application
18 - 31	K0000080252	BOLT, M8-25	8		
18 - 32	K1440000010	GREASE NIPPLE, STRAIGHT TYPE A	3		



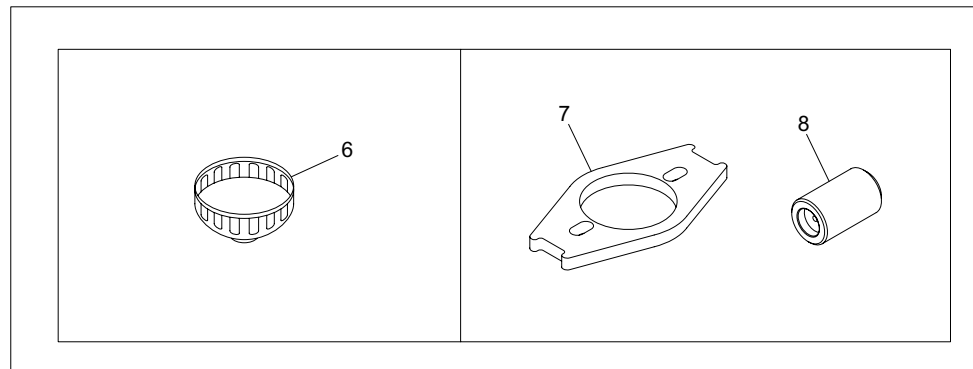
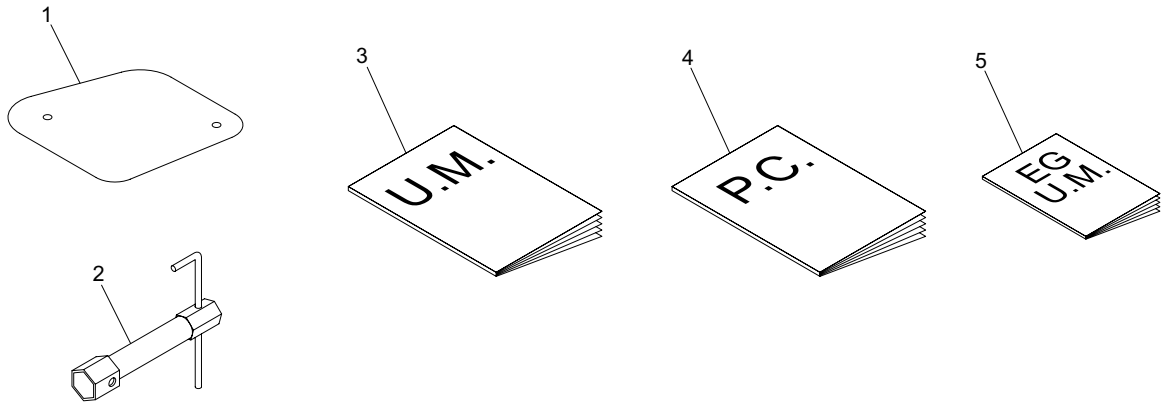
SP05A_19_z04

Cat No.	Code No.	Part name	Qty	Remark	SN of application
19 - 1	K3660000050	SWITCH, MAIN	1		
19 - 2	K3662000160	SWITCH, TOGGLE FOR AUTO RETURN	1		
19 - 3					
19 - 4	K3700000010	BUZZER, EBM-12 TYPE	1		
19 - 5	SP05---0603ZD	PLATE, POSITIONING SENSOR	1		
19 - 6	SP05---0602ZD	BRACKET, SENSOR	1		
19 - 7	K3720000140	SWITCH, PROXIMITY NC V-out	1		
19 - 8	SP05---0605Z2	BRACKET, MAGNET	1		
19 - 9	K3671000160	SWITCH, LIMIT 2 CIRCUIT NO	1		
19 - 10	K4270022060	CLIP, HARNESS 22 M6	1		
19 - 11	K0000050202	BOLT, M5-20	1		
19 - 12	K0000060152	BOLT, M6-15	3		
19 - 13	K0048050102	SCREW, + ROUND HEAD W/SW M5-10	2		
19 - 14	K0100050002	NUT, M5	2		
19 - 15	K0100080002	NUT, M8	4		
19 - 16	K0200050002	WASHER, SPRING M5	8		
19 - 17	K5000050002	WASHER, M5	8		
19 - 18	K5000060002	WASHER, M6	3		
19 - 19	K0200060002	WASHER, SPRING M6	2		
19 - 20	K5000080002	WASHER, M8	6		
19 - 21	K0200080002	WASHER, SPRING M8	6		
19 - 22	K3600000220	BATTERY, AH46B19R	1		
19 - 23	K1701000140	SWITCH, SEAT NC C7247AS	1		
19 - 24	SP05---2605Z0	BOARD ASSY, SAFETY CIRCUIT	1		
19 - 25	SP05---2601ZD	CASE, SUBSTRATE	1		
19 - 26	SP05---2602ZD	COVER, CASE A	1		
19 - 27	SP05---2603ZD	COVER, CASE B	1		
19 - 28	K0910000110	GROMMET, NG-79-J	1		
19 - 29	SP05A--0601A0	HARNESS, MAIN	1		
19 - 30	K0044030082	SCREW, + ROUND HEAD W/SW M3-8	4		



SP05A_19_z04

Cat No.	Code No.	Part name	Qty	Remark	SN of application
19 - 31	K0000050102	BOLT, M5-10	6		
19 - 32					
19 - 33	K3611000440	WIRE, TO EARTH 300	1		
19 - 34	K4033000530	RUBBER, BATTERY MOUNT	1		
19 - 35	K3610000570	WIRE, BATTERY (+) 1350	1		
19 - 36	K3194112900	TUBE, CORRUGATED M10-1290	1		
19 - 37					
19 - 38					
19 - 39	K3612000090	TERMINAL, BATTERY (+) 4013-39-1	1		
19 - 40	K3612000100	TERMINAL, BATTERY (-) 4013-39-2	1		
19 - 41	K0000080152	BOLT, M8-15	2		
19 - 42	K1510000110	MAGNET, W/PLASTIC BASE	1		
19 - 43	K3662000030-1	CAP, RUBBER FOR AUTORETURN SWITCH ET115G	1		
19 - 44	K3660000050-1	KEY, MAIN SWITCH	1		
19 - 45	K3620001100	WIRE, SEAT SWITCH	1		
19 - 46	K3650000130	HOUR METER, 636DC	1		

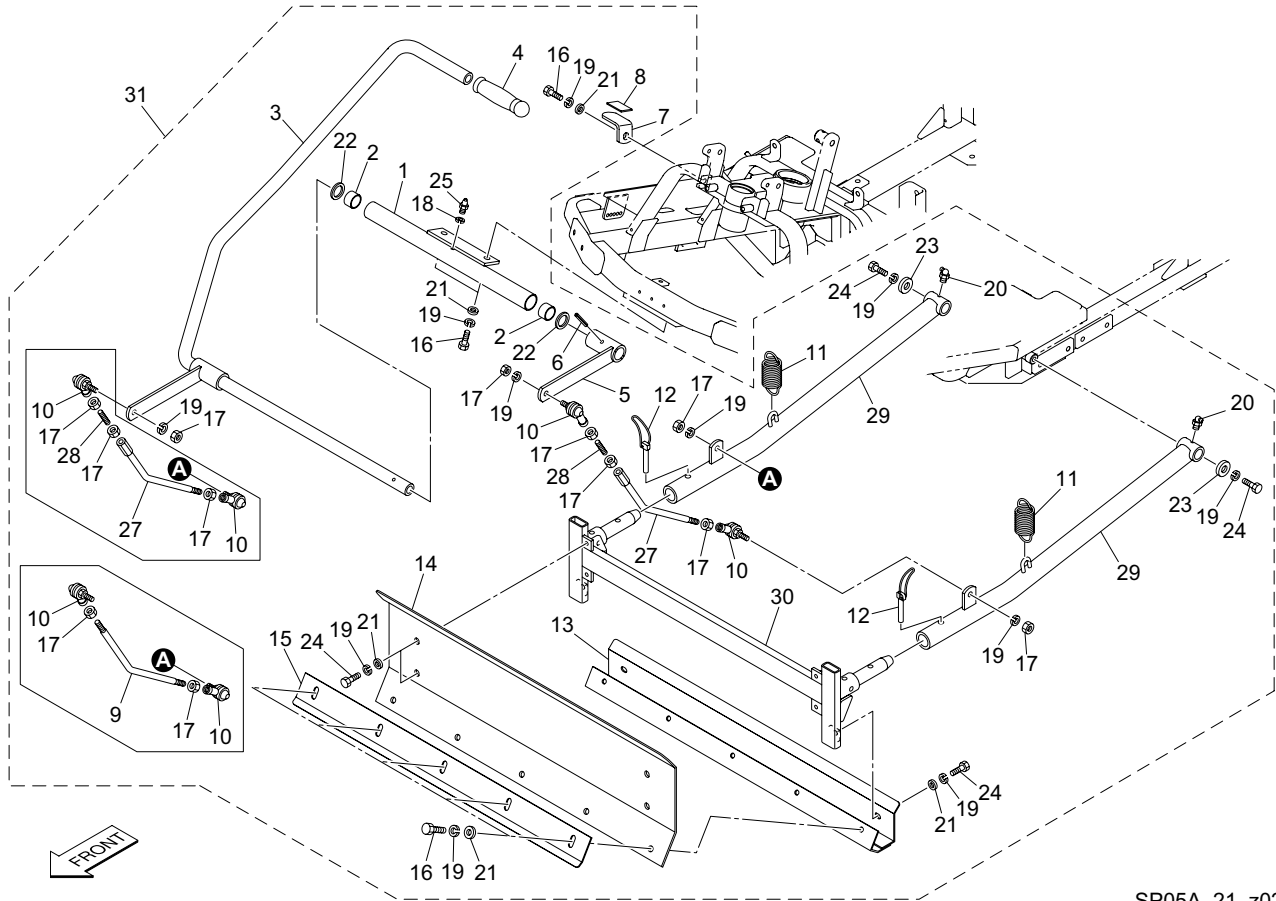


SP05A_20_z02

Cat No.	Code No.	Part name	Qty	Remark	SN of application
20 - 1	SP05---1501Z0	RUBBER, CARGO BOX	1		
20 - 2	K4817000020	WRENCH, PLUG 5/8-70	1		
20a - 3	750103-94-A	OWNERS OPERATING MANUAL, (SP05A) UK EN	1		
20a - 4	750103-94-B	PARTS CATALOG, (SP05A) UK EN	1		
20a - 5	PL277106	OWNERS MANUAL, ENGINE EN	1		
20 - 6	K4821000010	WRENCH, OIL FILTER 9.5-74	1	option	
20 - 7	K480200044D	TOOL, BRAKE DRUM REMOVER A	1	option	
20 - 8	K4802000452	TOOL, BRAKE DRUM REMOVER B	1	option	

21. Front blade section

SP05A

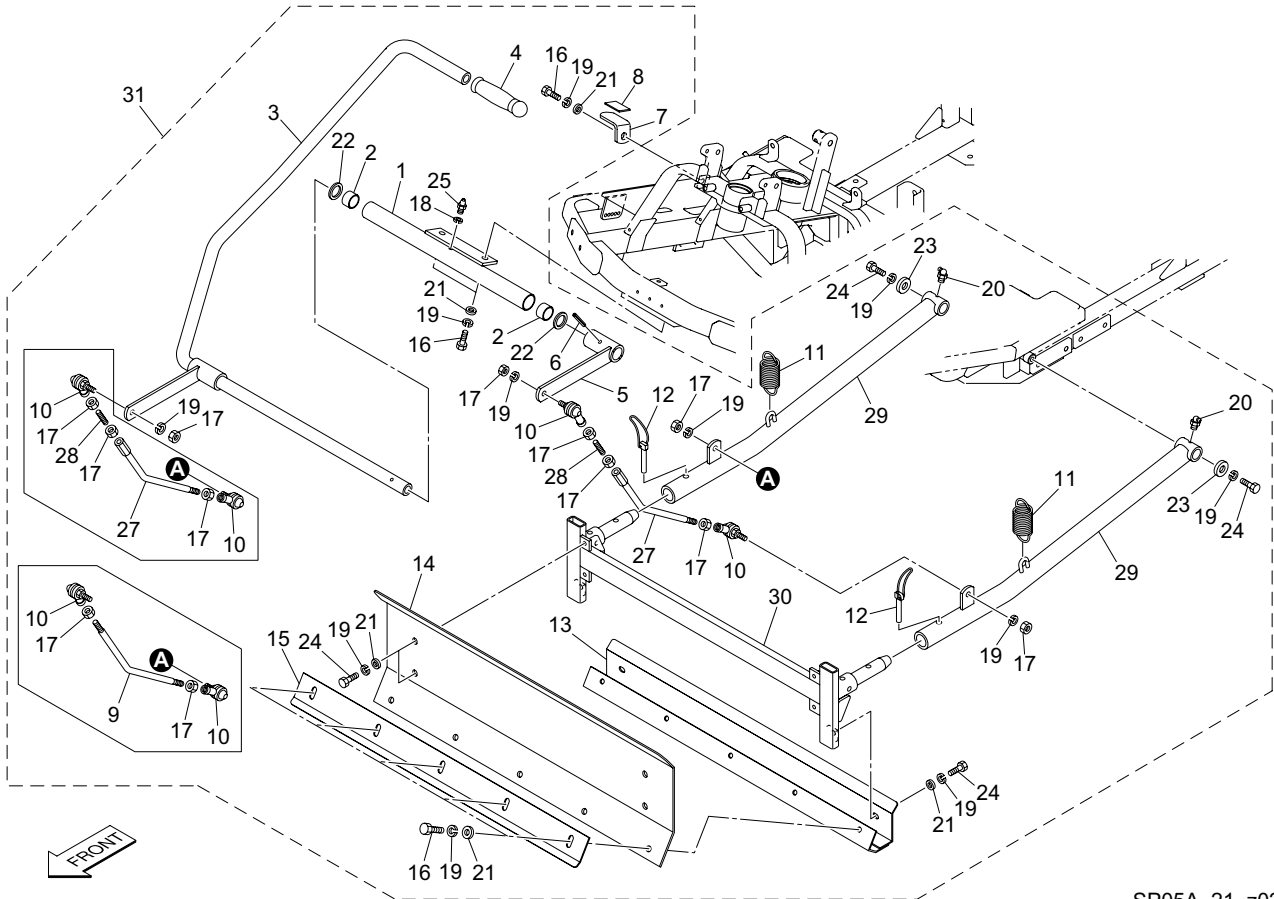


SP05A_21_z02

Cat No.	Code No.	Part name	Qty	Remark	SN of application
21 - 1	SP05---0801AD	PIPE, DOZER BLADE LEVER FULCRUM	1		
21 - 2	K6000000390	BUSH, COPPER 25.4-30.2-20	2		
21 - 3	SP05---0802BD	LEVER, DOZER BLADE	1		
21 - 4	K1300000020	GRIP, RUBBER HANDLE 25.4	1		
21 - 5	SP05---0803ZD	ARM, LEVER	1		
21 - 6	K0320060361	PIN, SPRING M6-36	1		
21 - 7	SP05---0807ZD	PLATE, SUPPORTING ARM	1		
21 - 8	K4033000540	RUBBER, PLATE 3-2535	1		
21a- 9	SP05---0804Z2	SHAFT, CONNECTING	2	old type	
21 - 10	K1604100000	JOINT, SPHERICAL LHSA10DE146	4		
21 - 11	K103000026D	SPRING, W/U HOOK M2.9-38-95	2		
21 - 12	K0450000028	PIN, DELTA M9	2		
21 - 13	SP160E-3802ZD	PLATE, SUPPORTING DOZER BLADE	1		
21 - 14	SP160E-3804ZD	PLATE, DOZER BLADE (LARGE)	1		
21 - 15	SP160E-3806ZD	PLATE, DOZER BLADE (SMALL)	1		
21 - 16	K0000100252	BOLT, M10-25	8		
21 - 17	K0100100002	NUT, M10	10	new type	
21a- 17	K0100100002	NUT, M10	8	old type	
21 - 18	K0200060002	WASHER, SPRING M6	1		
21 - 19	K0200100002	WASHER, SPRING M10	20		
21 - 20	K1440000020	GREASE NIPPLE, 90 TYPE C	2		
21 - 21	K5000100002	WASHER, M10	14		
21 - 22	K5051025370	WASHER, C5191P 1-25.4-37	2		
21 - 23	K5073210352	WASHER, SPHC 3.2-10-35	2		
21 - 24	K0000100202	BOLT, M10-20	8		
21 - 25	K1440000010	GREASE NIPPLE, STRAIGHT TYPE A	1		
21 - 26					
21 - 27	SP160EA0812Z2	SHAFT, CONNECTING	2	new type	
21 - 28	K0072000300	SHAFT, SCREWED M10-80	2	new type	
21 - 29	SP160EA0810ZD	ARM, DOZER BLADE	2		

21. Front blade section

SP05A

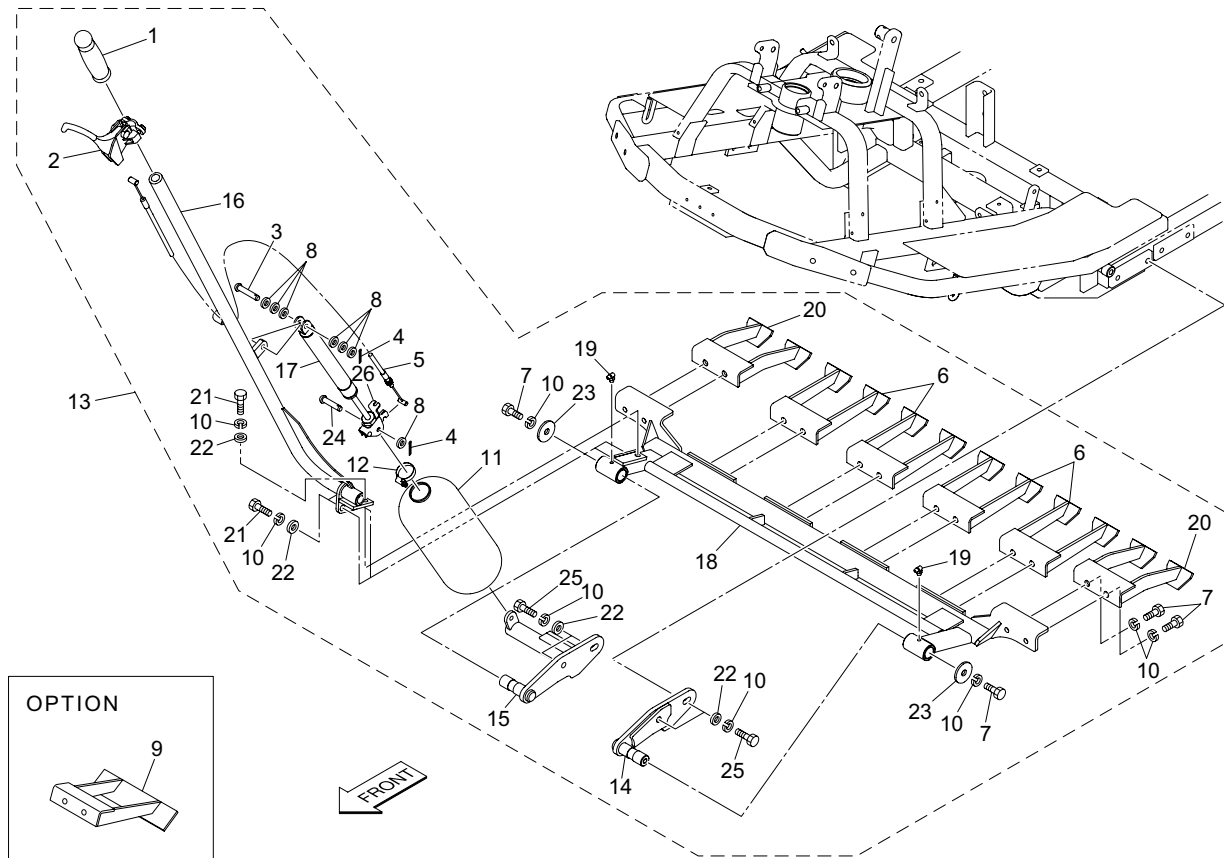


SP05A_21_z02

Cat No.	Code No.	Part name	Qty	Remark	SN of application
21 - 30	SP160EA0811ZD	FRAME, DOZER BLADE	1		
21 - 31	SP160EA0820Z0	FRONT BLADE ASSY	1	option	

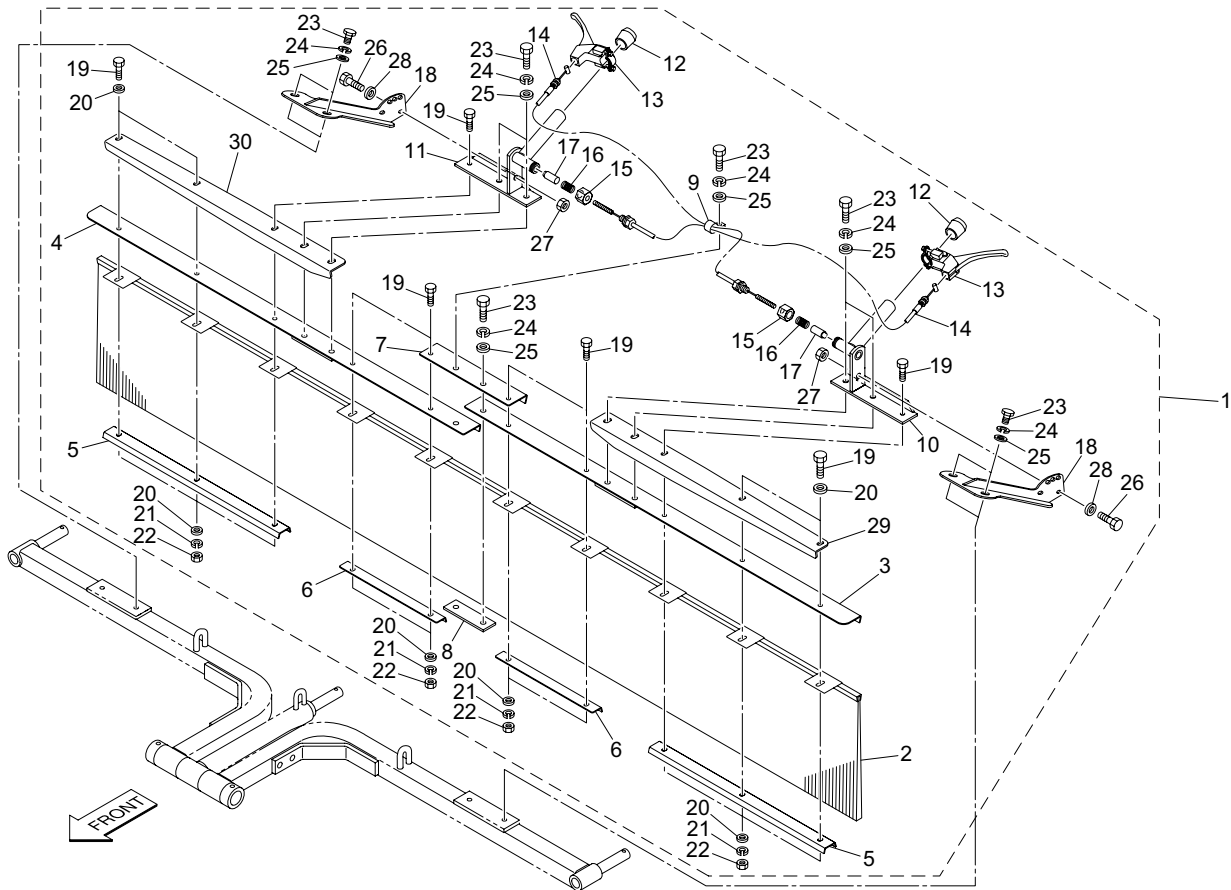
22. Sand cultivator section

SP05A



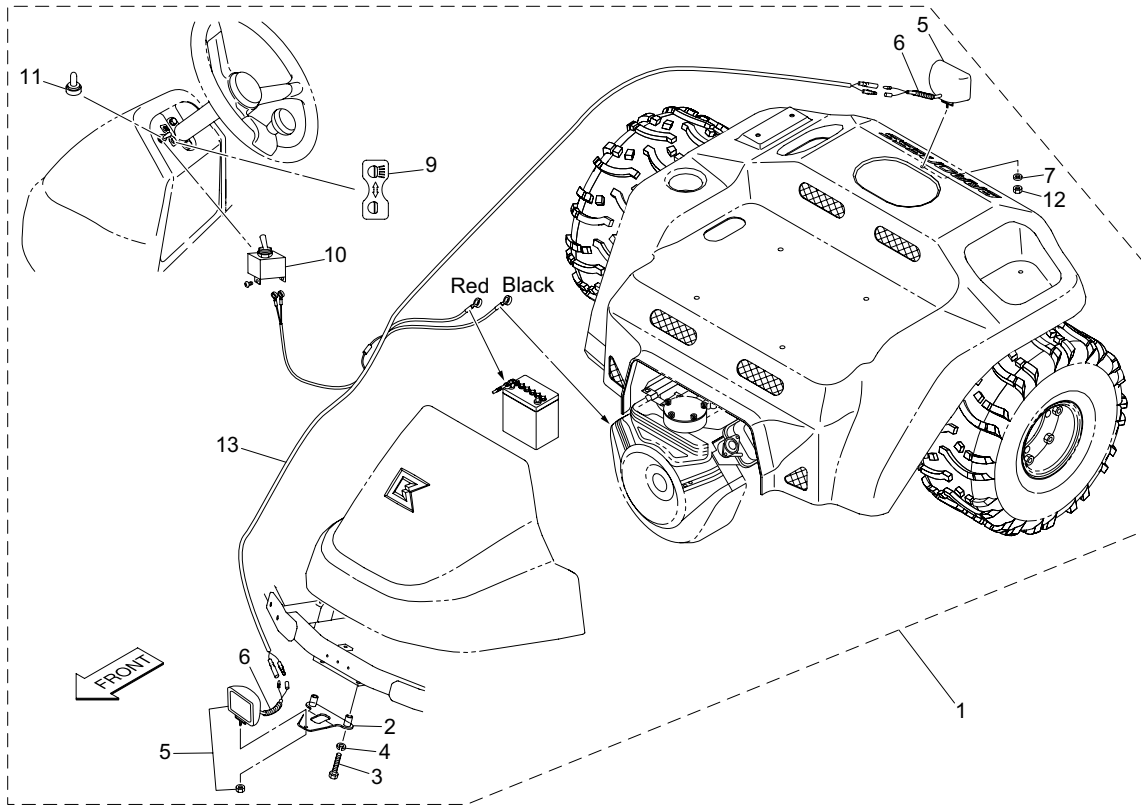
SP05A_22_z03

Cat No.	Code No.	Part name	Qty	Remark	SN of application
22 - 1	K1300000020	GRIP, RUBBER HANDLE 25.4	1		
22 - 2	K1211460000	LEVER, CLUTCH E146000	1		
22 - 3	K6041080428	PIN, ROUND HEAD HT M8-42	1		
22 - 4	K0300025202	PIN, COTTER M2.5-20	2		
22 - 5	K1160082000	WIRE, ADJUSTING CULTIVATOR 820	1		
22 - 6	SP05---0909ZD	TOOTH, TRAPEZOIDAL (CULTIVATOR)	4		
22 - 7	K0000100202	BOLT, M10-20	14		
22 - 8	K5000080002	WASHER, M8	7		
22 - 9	SP05---0910ZD	TOOTH, FLAT (CULTIVATOR)	6		
22 - 10	K0200100002	WASHER, SPRING M10	21		
22 - 11	SP05---0912Z0	COVER, GAS SPRING	1		
22 - 12	K4260000190	CLAMP, HOSE JUBILEE BAND 1	1		
22 - 13	SP05---0930B0	SAND CULTIVATOR ASSY	1	option	
22 - 14	SP05---0931AD	FULCRUM, (LH)	1		
22 - 15	SP05---0932BD	FULCRUM, (RH)	1		
22 - 16	SP05---0933BD	LEVER, CULTIVATOR	1		
22 - 17	K3381000040	GAS-SPRING, FLF90-25	1		
22 - 18	SP05---0934ZD	ARM, CULTIVATOR	1		
22 - 19	K1440000020	GREASE NIPPLE, 90 TYPE C	2		
22 - 20	SP05---0935ZD	TOOTH, TRAPEZOIDAL SIDE (CULTIVATOR)	2		
22 - 21	K0000100252	BOLT, M10-25	3		
22 - 22	K5000100002	WASHER, M10	7		
22 - 23	K5073210352	WASHER, SPHC 3.2-10-35	2		
22 - 24	K6041080258	PIN, ROUND HEAD M8-25.6	1		
22 - 25	K0000100302	BOLT, M10-30	4		
22 - 26	K3381000040-1	L BRACKET 1152-00309	1		



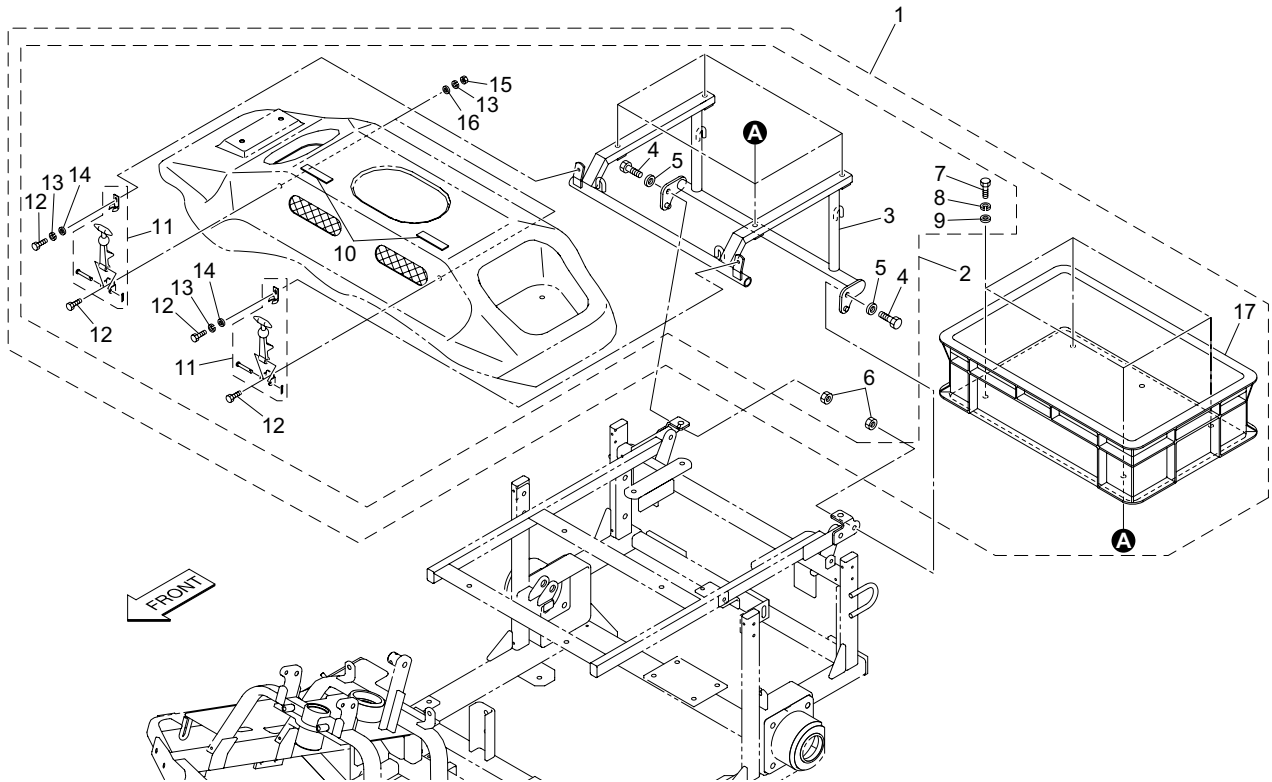
SP05A_23_z01

Cat No.	Code No.	Part name	Qty	Remark	SN of application
23 - 1	SP05---1601A0	BRUSH ASSY, FINISHING MOVABLE	1	option	
23 - 2	SP05---1002Z0	BRUSH, FINISHING 1.0 (NY)	1		
23 - 3	SP05---1005AD	FRAME, BRUSH (LH)	1		
23 - 4	SP05---1004AD	FRAME, BRUSH (RH)	1		
23 - 5	SP05---1010ZD	PLATE, RETAINING BRUSH 450	2		
23 - 6	SP05---1008ZD	PLATE, RETAINING BRUSH 250	2		
23 - 7	SP05---1006ZD	PLATE, CONNECTING BRUSH FRAME	1		
23 - 8	K514200047D	PLATE, 6 W/ 2-M8 2570	1		
23 - 9	K4270020080	CLIP, HARNESS 20 M8	1		
23 - 10	SP05---1602ZD	ARM, MOVABLE (LH)	1		
23 - 11	SP05---1603ZD	ARM, MOVABLE (RH)	1		
23 - 12	K1310000160	CAP, RUBBER 24	2		
23 - 13	K1211260150	LEVER, CLUTCH E126015	2		
23 - 14	K1160089000	WIRE, ADJUSTING 890	2		
23 - 15	K6084000032	CAP, BODY	2		
23 - 16	K1000000668	SPRING, COMPRESSION M1.4-11.3-40	2		
23 - 17	BG90C-0710Z2	PIN, TAIL WHEEL UP/BTM FIXING PIN	2		
23 - 18	SP05---1604ZD	ARM	2		
23 - 19	K0000060252	BOLT, M6-25	10		
23 - 20	K5000060002	WASHER, M6	16		
23 - 21	K0200060002	WASHER, SPRING M6	10		
23 - 22	K0100060002	NUT, M6	10		
23 - 23	K0000080252	BOLT, M8-25	10		
23 - 24	K0200080002	WASHER, SPRING M8	10		
23 - 25	K5000080002	WASHER, M8	10		
23 - 26	K0000100202	BOLT, M10-20	2		
23 - 27	K0100100002	NUT, M10	2		
23 - 28	K5000100002	WASHER, M10	2		
23 - 29	SP05---1011ZD	PLATE, REINFORCING (LH)	1		
23 - 30	SP05---1012ZD	PLATE, REINFORCING (RH)	1		



SP05A_24_z03

Cat No.	Code No.	Part name	Qty	Remark	SN of application
24 - 1	SP05A--1101Z0	LAMP & BRACKET ASSY	1	option	
24 - 2	SP05--1102ZD	BRACKET, LAMP	1		
24 - 3	K0000100552	BOLT, M10-55	2		
24 - 4	K0200100002	WASHER, SPRING M10	2		
24 - 5	K3640000070	LAMP, WORKING WL-B220A	2		
24 - 6	K3194001000	TUBE, CORRUGATED 7-100	2		
24 - 7	K5012308352	WASHER, SPCC 2.3-8-35	1		
24 - 8					
24 - 9	K4203001410	DECAL, LIGHT SWITCH	1		
24 - 10	K3662000060	SWITCH, TOGGLE ST115AT	1		
24 - 11	K4031000300	RUBBER, CAP WD1911	1		
24 - 12	K0144080002	NUT, W/F-RING M8	1		
24 - 13	SP05A--1102A0	HARNESS, LAMP	1		



SP05A_25_z01

Cat No.	Code No.	Part name	Qty	Remark	SN of application
25 - 1	SP05---1301Z0	CARGO BOX KIT	1	option	
25 - 2	SP05---1302Z0	MOUNT ASSY, CARGO BOX	1		
25 - 3	SP05---1303ZR	MOUNT, CARGO BOX	1		
25 - 4	K0000100352	BOLT, M10-35	2		
25 - 5	K5000100002	WASHER, M10	2		
25 - 6	K0100100002	NUT, M10	2		
25 - 7	K0000080352	BOLT, M8-35	4		
25 - 8	K0200080002	WASHER, SPRING M8	4		
25 - 9	K5012308352	WASHER, SPCC 2.3-8-35	4		
25 - 10	K4033000550	RUBBER, PLATE 3-30120	2		
25 - 11	K1520000030	HOOK ASSY, RUBBER	2		
25 - 12	K0000060202	BOLT, M6-20	4		
25 - 13	K0200060002	WASHER, SPRING M6	4		
25 - 14	K5000060002	WASHER, M6	2		
25 - 15	K0100060002	NUT, M6	2		
25 - 16	K5011606202	WASHER, SPCC 1.6-6-20	2		
25 - 17	SP05---1304Z0	CARGO BOX	1		

BARONESS[®]
Quality on Demand

 **KYOEISHA CO.,LTD.**
Head Office 1-26, Miyuki-cho, Toyokawa-city, Tel :+81-533-84-1390
Aichi-pref, 442-8530 JAPAN Fax :+81-533-84-1220