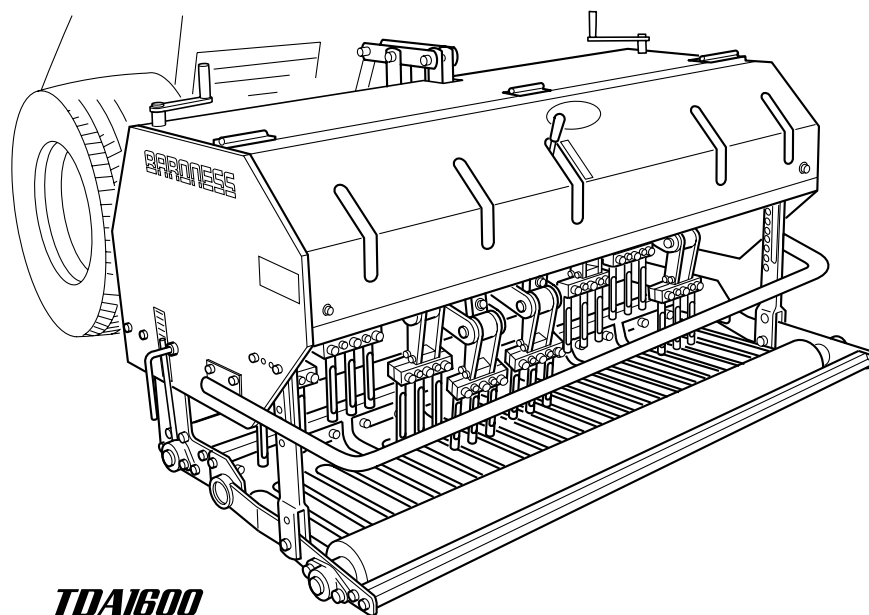


TDA1200 · TDA1600

Tractor Mounted Aerator

Parts catalog



TDA1600

Serial No. TDA1200 : 21038-
TDA1600 : 21026-

BARONNESS[®]
Quality on Demand

Ver.2.1

Contents

A:TDA1200

A1. Frame & Cover section.....	3
A2. Front roller & Rear roller section	5
A3. Gearbox section	9
A4. Crank section	11
A5. Accessories	15
A6. Option parts (Tine)	17

B:TDA1600

B1. Frame & Cover section.....	21
B2. Front roller & Rear roller section	23
B3. Gearbox section	25
B4. Crank section	27
B5. Accessories	31
B6. Option parts (Tine)	33

Tractor Mounted Aerator

TDA1200

Parts catalog

(For ordering parts)

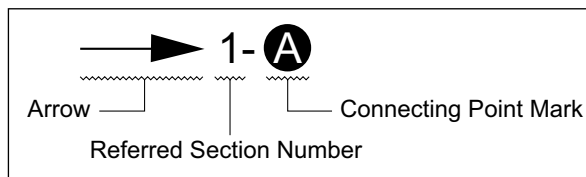
For prevention of delivery of wrong parts, be sure to inform us of the code number and the part name.

Example:	Code No.	Part Name	Qty
	K0200100002	WASHER, SPRING M10	8

<Indication of the connecting point shown on the other page>

(Example and description)

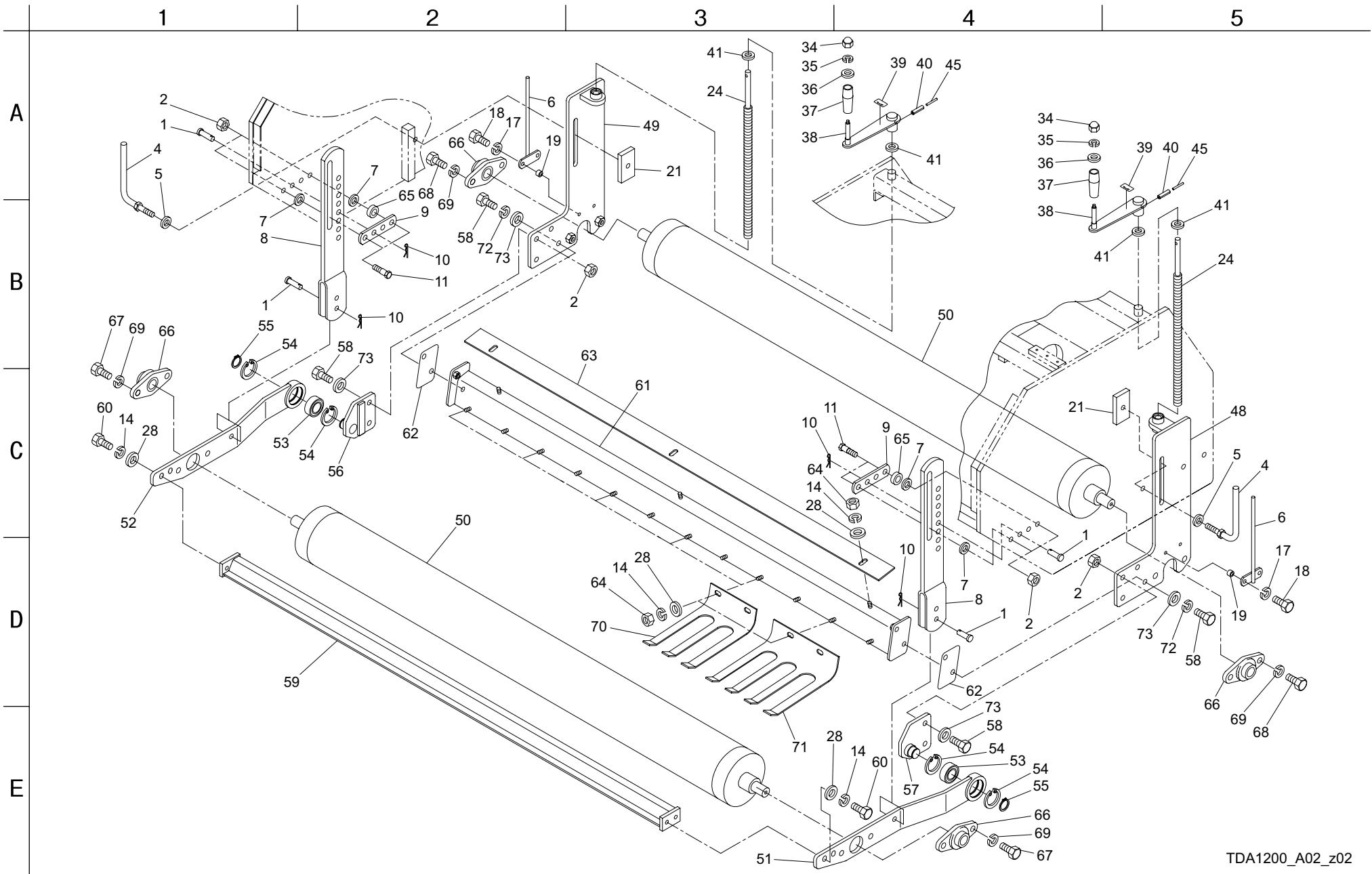
The following indication shows the connecting point of the part shown on the other page.



- 1- **A** : Refer to the point **A** in the illustration of the section No.1
- 2- **B** : Refer to the point **B** in the illustration of the section No.2

Cat No.	Code No.	Part Name	Qty	Remarks	SN of application
A1-1	K0013161201	BOLT, HT M16-120	1		
A1-2	TDA12000103ZR	COUPLER, LOWER LINK	2		
A1-3	K6030191002	PIN, FLAT HEAD M19-100	1		
A1-4	TDA12000102ZR	COUPLER, UPPER LINK	2		
A1-5	K6061060002	PIN, CLIP M6	1		
A1-6					
A1-7	K0144160002	NUT, W/F-RING M16	4		
A1-8	K4049030000	RUBBER, STOPPER KI-30	2		
A1-9	K0013160952	BOLT, HT M16-95	1		
A1-10	K6212001822	COLLAR, STKM M16-22-45	1		
A1-11	K0042050152	SCREW, + ROUND HEAD M5-15	18		
A1-12	K4520000230	HINGE, RESIN W/HOLE 6-100	3		
A1-13	K0144080002	NUT, W/F-RING M8	2		
A1-14					
A1-15	K0013160602	BOLT, HT M16-60	2		
A1-16	K6212001802	COLLAR, STKM M16-22-20	1		
A1-17	K6212001812	COLLAR, STKM M22.2-32-22.4	4		
A1a-18	K5000080002	WASHER, M8	7		
A1a-19	K0200080002	WASHER, SPRING M8	7		
A1a-20	K0000080152	BOLT, M8-15	4		
A1-21	TDA12000116Z8	PIN, FLAT HEAD HT M22-145	2		
A1-22	K4201000140	STICKER, BARONESS 45 WHITE	2		
A1-23	K5000120002	WASHER, M12	4		
A1-24	K0200120002	WASHER, SPRING M12	4		
A1-25	K0010120302	BOLT, HT P1.75 M12-30	4		
A1-26	K4209001140	LABEL, SCALE 150A	2		
A1a-27					
A1a-28					
A1a-29					
A1-30					
A1-31					
A1-32					
A1-33					
A1-34					
A1a-35	K4205001750	LABEL, HANDLING PRECAUTIONS	1		

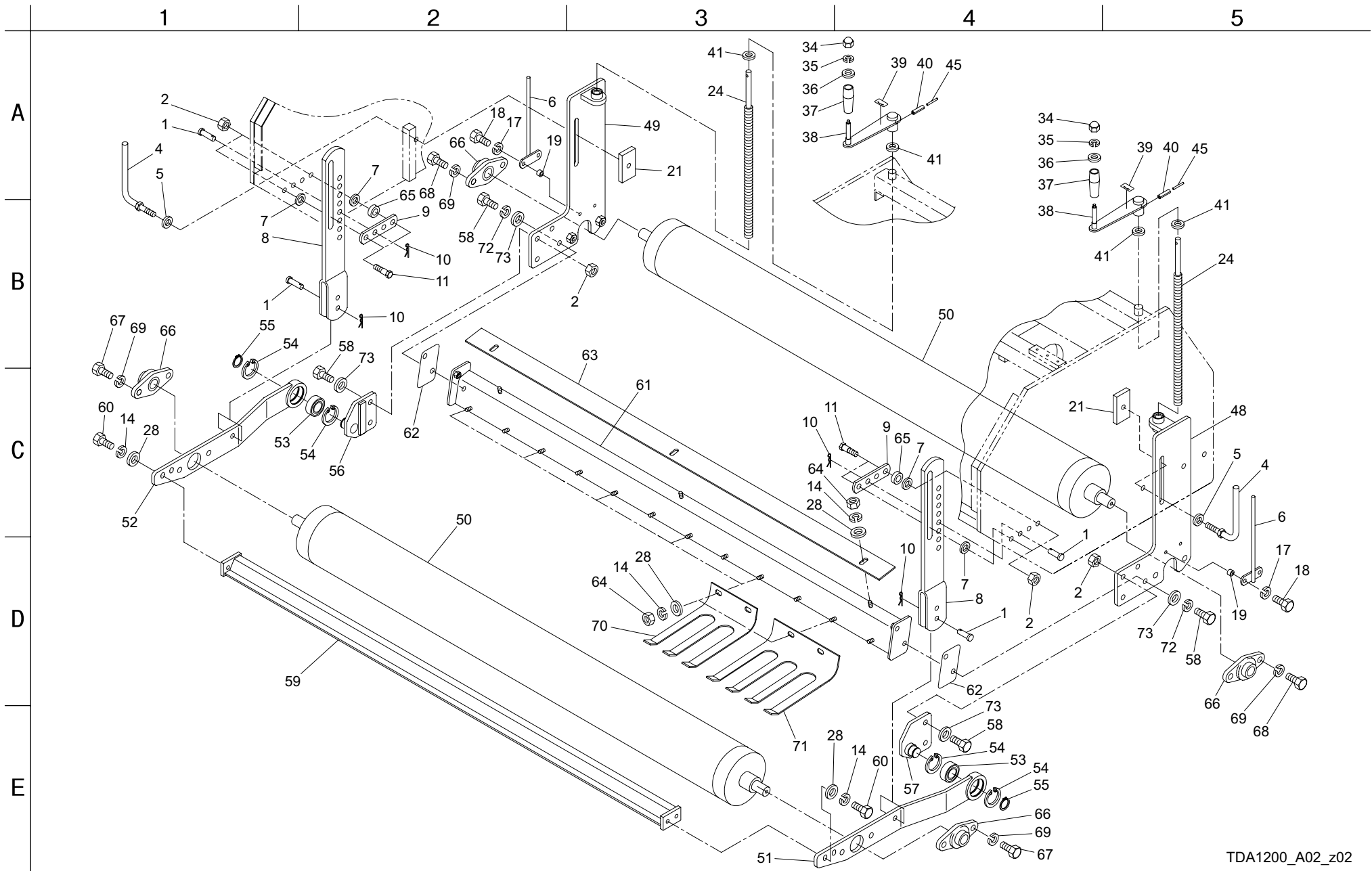
Cat No.	Code No.	Part Name	Qty	Remarks	SN of application
A1a-36	K4205001760	DECAL, CAUTION PTO	1		
A1-37					
A1-38					
A1-39	TDA12000112BR	MOUNT, BOX	1		
A1-40	K4228000110	SPONGE, RUBBER 5-15-300	5		
A1-41	K5000050002	WASHER, M5	9		
A1-42	K0200050002	WASHER, SPRING M5	9		
A1-43	K0144050002	NUT, W/F-RING, M5	9		
A1-44	TDA12000127Z0	STICKER, TDA1200	1		
A1a-45	K4203001390	DECAL, CRANK EFFECT SPEED	1		
A1-46					
A1-47					
A1-48					
A1-49					
A1-50					
A1-51					
A1-52	K6061100002	PIN, CLIP M10	2		
A1-53					
A1-54					
A1a-55	TDA12002101ZR	PIPE, PROTECTION	1		
A1a-56	K0100100002	NUT, M10	4		
A1a-57	K0200100002	WASHER, SPRING M10	4		
A1a-58	K5000100002	WASHER, M10	4		
A1a-59	K0000100352	BOLT, M10-35	4		
A1-60	TDA12002152C0	COVER COMP, FRONT	1		
A1-61	K4209001570	DECAL, PTO MAX 400 RPM	1		
A1-62	K0000080202	BOLT, M8-20	3		
A1-63	K0100080002	NUT, M8	1		
A1-64					
A1-65	TDA16001102AR	COVER, PTO	1		
A1-66	TDA12002151A0	FRAME COMP	1		
A1-67	TDA12002150B0	COVER COMP, REAR	1		
A1-68	K4205002300	DECAL, PROHIBITION OF RIDING	1		

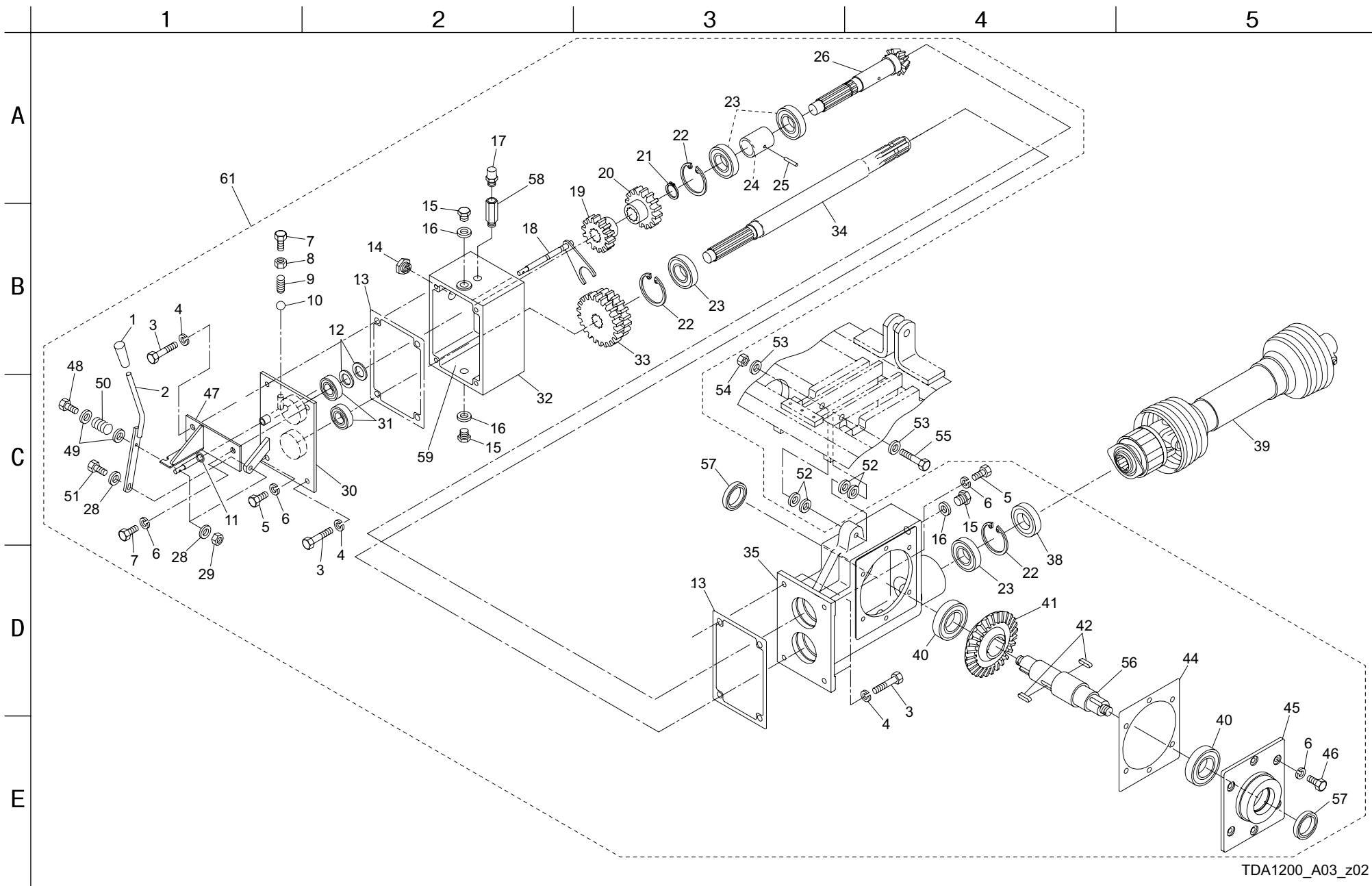


Cat No.	Code No.	Part Name	Qty	Remarks	SN of application
A2-1	K6031120403	PIN, FLAT HEAD HT M12-40	4		
A2-2	K0144120002	NUT, W/F-RING M12	8		
A2-3					
A2-4	TDA12000125A8	FIXTURE, ROLLER	2		
A2-5	K0213120002	WASHER, DISK SPRING 1H M12	2		
A2-6	TDA12000122ZD	GAUGE, DEPTH	2		
A2-7	K5012312222	WASHER, SPCC 2.3-12-22	4		
A2-8	TDA12000123ZD	HANGER, ROLLER	2		
A2-9	TDA12000124ZD	PLATE, HOLDING ROLLER	2		
A2-10	K0361000008	PIN, SNAP KS M10	4		
A2-11	K0071000372	BOLT, FOR HYDRAULIC MOTOR	4		
A2-12					
A2-13					
A2-14	K0200100002	WASHER, SPRING M10	19		
A2-15					
A2-16					
A2-17	K0200080002	WASHER, SPRING M8	4		
A2-18	K0000080302	BOLT, M8-30	4		
A2-19	K6212000982	COLLAR, STKM M8.5-14-9.5	4		
A2-20					
A2-21	TDA12000115ZD	PLATE, TIGHTENING	2		
A2-22					
A2-23					
A2-24	TDA12000106Z0	SCREW, ADJUSTING	2		
A2-25					
A2-26					
A2-27					
A2-28	K5000100002	WASHER, M10	19		
A2-29					
A2-30					
A2-31					
A2-32					
A2-33					
A2-34	K0100060002	NUT, M6	2		
A2-35	K0200060002	WASHER, SPRING M6	2		

Cat No.	Code No.	Part Name	Qty	Remarks	SN of application
A2-36	K5000060002	WASHER, M6	2		
A2-37	K1301000120	GRIP, PLASTIC 25-70	2		
A2-38	K7100000112	HANDLE, UP-DOWN	2		
A2a-39	K4203001400	DECAL, DEPTH ADJUSTING HANDLE	2		
A2-40	K0320050251	PIN, SPRING M5-25	2		
A2-41	K5021012200	WASHER, NBS55 1-12-20	4		
A2-42					
A2-43					
A2-44					
A2-45	K0320030251	PIN, SPRING M3-25	2		
A2-46					
A2-47					
A2-48	TDA16000104ZD	BRACKET, FROMT ROLLER 8 (RH)	1		
A2-49	TDA16000105ZD	BRACKET, FROMT ROLLER 8 (LH)	1		
A2-50	TDA12000145AD	ROLLER	2		
A2-51	TDA16000141ZD	BRACKET, REAR ROLLER 8 (RH)	1		
A2-52	TDA16000140ZD	BRACKET, REAR ROLLER 8 (LH)	1		
A2-53	K0613060050	BEARING, BALL SEAL 2RDC3 6005	2		
A2-54	K0402047001	RING, RETAINING R M47	4		
A2-55	K0401025001	RING, RETAINING S M25	2		
A2-56	TDA16000143ZD	MOUNT, BRACKET (LH)	1		
A2-57	TDA16000144ZD	MOUNT, BRACKET (RH)	1		
A2-58	K0010120402	BOLT, HT M12-40	8		
A2-59	TDA12000142ZD	SCRAPER, REAR	1		
A2-60	K0010100252	BOLT, HT M10-25	4		
A2-61	TDA12000146ZD	MOUNT, LAWN PRESSER	1		
A2-62	TDA16000119Z2	ADJUSTER, A	2		
A2-63	TDA12000147ZD	SCRAPER, FRONT	1		
A2-64	K0100100002	NUT, M10	15		
A2-65	K6212002362	COLLAR, STKM M13.5-22-14	2		
A2-66	K0661205000	BEARING, BALL W/RHOMBIC UCFL 205	4		
A2-67	K0010140302	BOLT, HT M14-30	4		
A2-68	K0013140452	BOLT, HT M14-45	4		
A2-69	K0200140002	WASHER, SPRING M14	8		
A2-70	TDA12000332ZD	PLATE, PRESSING LAWN A	5		

TDA1200_A02_a01





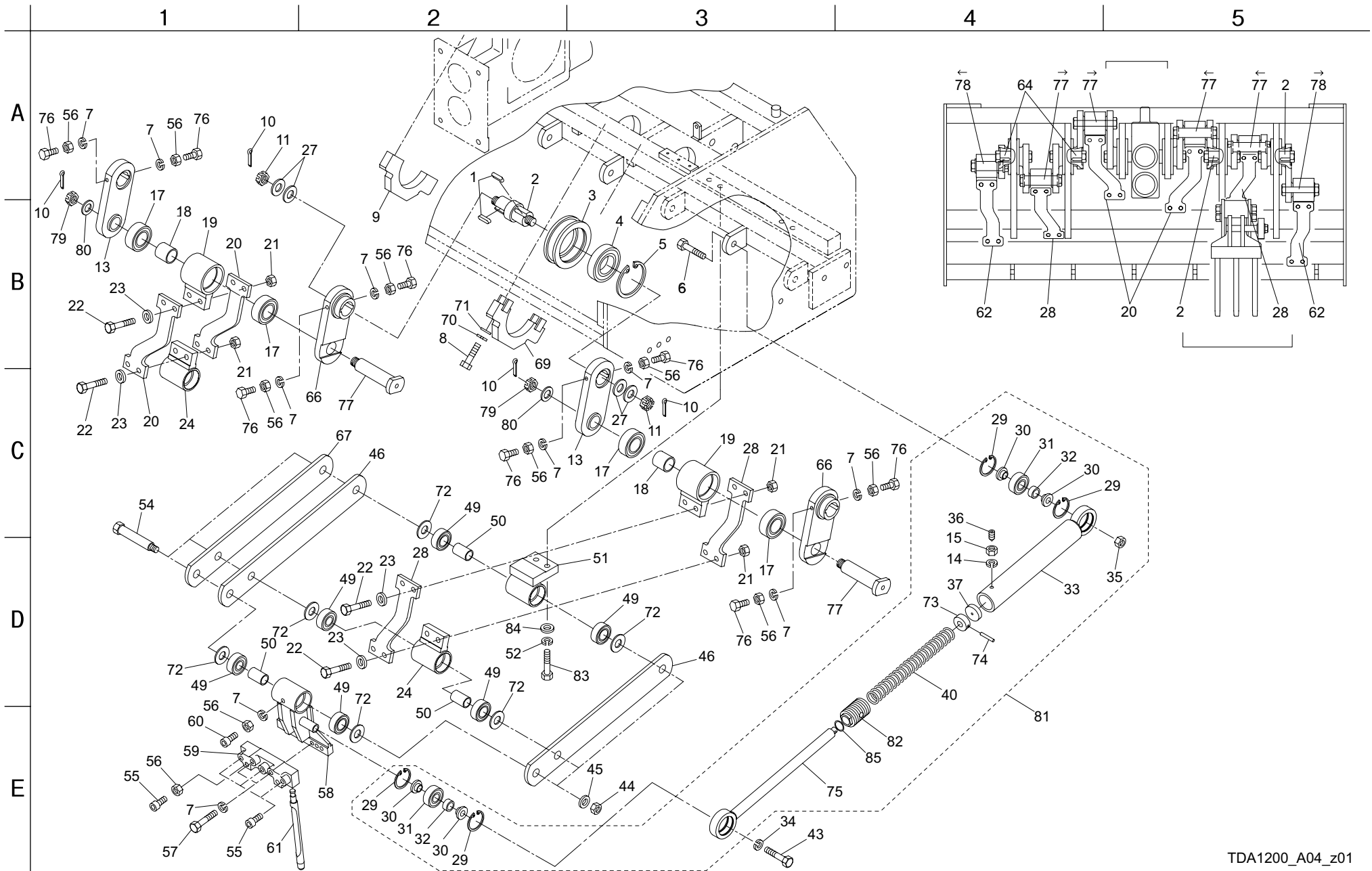
Cat No.	Code No.	Part Name	Qty	Remarks	SN of application
A3-1	K1300000070	GRIP, RUBBER BLACK 9-22	1		
A3-2	TDA12000210Z2	LEVER, GEARSHIFT	1		
A3-3	K0071000652	BOLT, POSITIONING M10-50	4		
A3-4	K0200120002	WASHER, SPRING M12	4		
A3-5	K0000100252	BOLT, M10-25	3		
A3-6	K0200100002	WASHER, SPRING M10	10		
A3-7	K0000100302	BOLT, M10-30	2		
A3-8	K0100100002	NUT, M10	1		
A3-9	K1000000021	SPRING, COMPRESSION M1.4-7.8-16	1		
A3-10	K1500800000	BALL, STEEL 8	1		
A3-11	K0880011000	O-RING, P11	1		
A3-12	K5073225402	WASHER, SPHC 3.2-25-40	2		
A3-13	TDA12000215Z0	PACKING, A	2		
A3-14	K1400000044-Y	GAUGE, OIL PF3/4 TYPE M	1		
A3-15	K1410000042-Y	PLUG, OIL W/AIR HOLE P1.5 M14	3		
A3-16	K0920140000	SEAL, WASHER SW M14	3		
A3-17	K1430000012	BREATHER, AIR PT 1/8	1		
A3-18	TDA12000209A0	FORK, SHIFTER	1		
A3-19	TDA12000208Z0	GEAR, 14-TEETH FOR #2-SHAFT	1		
A3-20	TDA12000207Z0	GEAR, 16-TEETH FOR #2-SHAFT	1		
A3-21	K0401030001	RING, RETAINING S M30	1		
A3-22	K0402072001	RING, RETAINING R M72	3		
A3-23	K0600062070	BEARING, BALL 6207	4		
A3-24	K6215000270	COLLAR, STKM W/HOLE M35-45.1-58	1		
A3-25	K0320060451	PIN, SPRING M6-45	1		
A3-26	TDA12000205Z0	SHAFT, DRIVING B	1		
A3-27					
A3-28	K5000060002	WASHER, M6	3		
A3-29	K0144060002	NUT, W/F-RING M6	2		
A3-30	TDA12000203AR	COVER, GEARBOX	1		
A3-31	K0600062050	BEARING, BALL 6205	2		
A3-32	TDA12000202ZR	GEARBOX, CRANK B	1		
A3-33	TDA12000206Z0	GEAR, DOUBLE 20-/22T FOR #1-SHAFT	1		
A3-34	TDA12000204Z0	SHAFT, DRIVING A	1		
A3-35	TDA12000201AR	GEARBOX, CRANK A	1		

Cat No.	Code No.	Part Name	Qty	Remarks	SN of application
A3-36					
A3-37					
A3-38	K0862000050	OIL SEAL, UE35729	1		
A3-39	K1620000210	SHAFT, DRIVE AS205-N400	1		
A3-40	K0600062090	BEARING, BALL 6209	2		
A3-41	TDA12000213Z0	GEAR, BEVEL 30-TEETH	1		
A3-42	K0500808310	KEY, BOTH ROUND M8-831.5	2		
A3-43					
A3-44	TDA12000216Z0	PACKING, B	1		
A3-45	TDA12000212AR	HOUSING, CRANKSHAFT	1		
A3-46	K0000100202	BOLT, M10-20	6		
A3-47	TDA12000220ZR	GUIDE, GEARSHIFT	1		
A3-48	K0000060502	BOLT, M6-50	1		
A3-49	K5012306202	WASHER, SPCC 2.3-6-20	2		
A3-50	K1000000309	SPRING, COMPRESSION M1.6-13.7-20	1		
A3-51	K0000060252	BOLT, M6-25	1		
A3-52	K6210000272	COLLAR, M12.2-256	4		
A3-53	K5073212252	WASHER, SPHC 3.2-12-25	2		
A3-54	K0144120002	NUT, W/F-RING M12	1		
A3-55	K0013121002	BOLT, HT M12-100	1		
A3-56	TDA12000221Z0	SHAFT, DRIVING C	1		
A3-57	K0824062080	OIL SEAL, MHSA40628	2		
A3-58	K7899001242	PIPE, AIR BREATHER	1		
A3-59	K2915000200	OIL, GEAR BNNOC TS680 20L	3.8L	Consumption = 3.8 L	
A3-60					
A3-61	TDA12000222Z0	GEARBOX ASSY	1		

Cat No.	Code No.	Part Name	Qty	Remarks	SN of application
A4-1	K0500808310	KEY, BOTH ROUND M8-831.5	20		
A4-2	TDA12000302Z0	SHAFT, DRIVING (RH)	2		
A4-3	TDA12000304ZR	HOUSING, CRANK	4		
A4-4	K0608062090	BEARING, BALL SEAL 2RS 6209	4		
A4-5	K0402085001	RING, RETAINING R M85	4		
A4-6	K0013140502	BOLT, HT M14-50	6		
A4-7	K0200100002	WASHER, SPRING M10	38		
A4-8	K0013120702	BOLT, HT M12-70	12		
A4-9	TDA12000121AR	MOUNT, HOUSING	2		
A4-10	K0300032402	PIN, COTTER M3.2-40	16		
A4-11	TDA12000362Z8	NUT, 20 A	10		
A4-12					
A4-13	TDA12000301AR	BRACKET, CRANK	4		
A4-14	K0200080002	WASHER, SPRING M8	6		
A4-15	K0100080002	NUT, M8	6		
A4-16					
A4-17	K0612062060	BEARING, BALL SEAL 2RD 6206	12		
A4-18	K6212002370	COLLAR, STKM M30-36-35	6		
A4-19	TDA12000305AR	HOUSING, UPPER	6		
A4-20	TDA12000311AR	ARM, UPPER A	4		
A4-21	K0144120002	NUT, W/F-RING M12	24		
A4-22	K0010120602	BOLT, HT M12-60	24		
A4-23	K5000120002	WASHER, M12	24		
A4-24	TDA12000310AR	HOUSING, LOWER A	6		
A4-25					
A4-26					
A4-27	K0211200001	SPRING, CONICAL DISC H M20	20		
A4-28	TDA12000312AR	ARM, UPPER B	4		
A4-29	K0402047001	RING, RETAINING R M47	24		
A4-30	TDA12000323Z2	COLLAR, LOCKING BOX	24		
A4-31	K0613060050	BEARING, BALL SEAL 2RDC3 6005	12		
A4-32	TDA12000324Z0	COLLAR, URETHANE	12		
A4-33	TDA12000318ZD	BOX, SPRING	6		
A4-34	K0200140002	WASHER, SPRING M14	6		
A4-35	K0144140002	NUT, W/F-RING, M14	6		

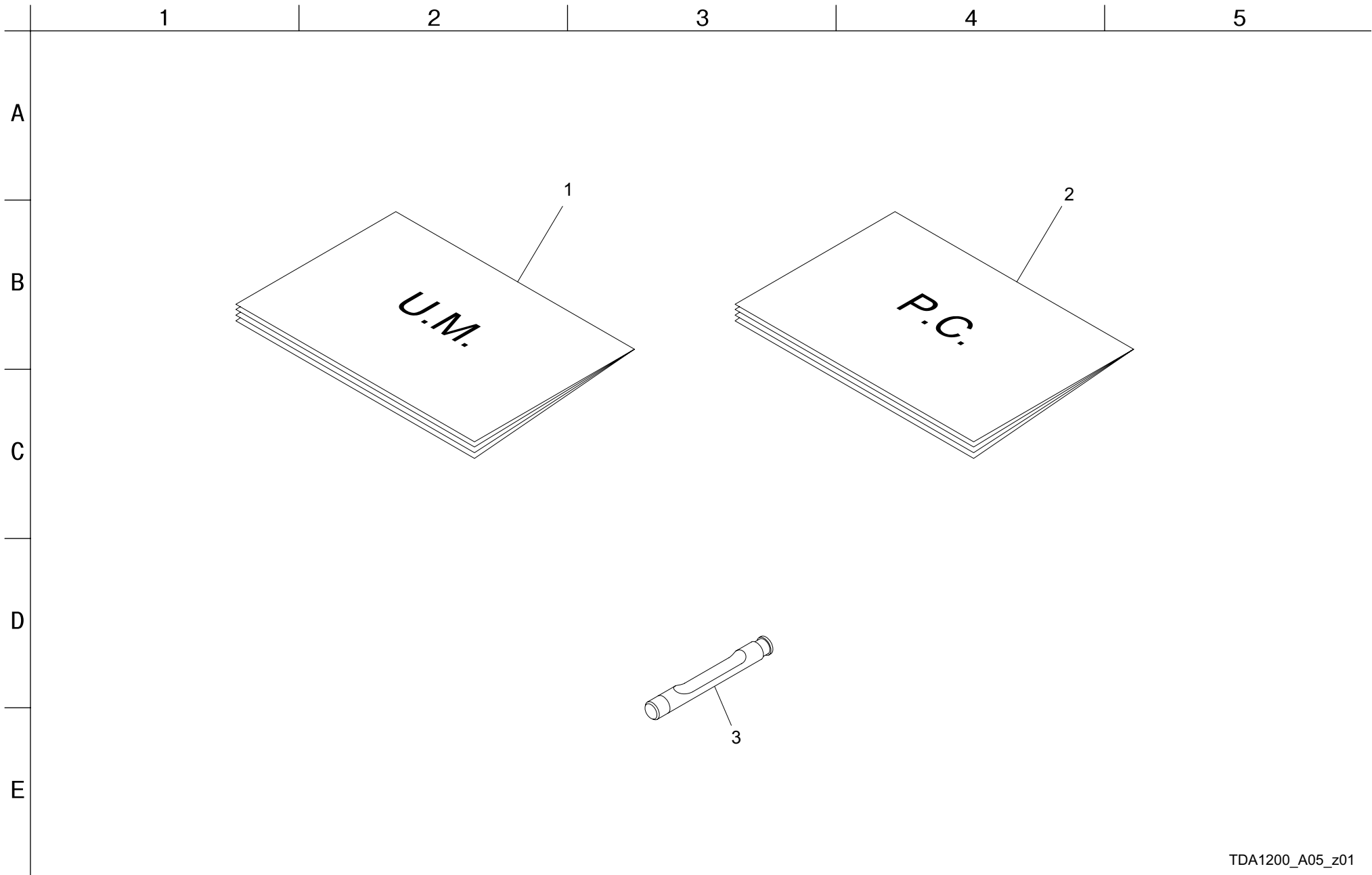
Cat No.	Code No.	Part Name	Qty	Remarks	SN of application
A4-36	K0028080200	SETSCREW, SUS M8-20	6		
A4-37	TDA12000327Z0	SEAT, URETHANE	6		
A4-38					
A4-39					
A4-40	K1000000870	SPRING, COMPRESSION M4-32-260	6		
A4-41					
A4-42					
A4-43	K0013140452	BOLT, HT M14-45	6		
A4-44	K0145140002	NUT, W/F-RING M14 P1.5	18		
A4-45	K0212140002	WASHER, DISK SPRING 1L M14	18		
A4-46	TDA12000314ZR	ARM, LOWER 8	12		
A4-47					
A4-48					
A4-49	K0612062040	BEARING, BALL SEAL 2RD 6204	36		
A4-50	K6212000180	COLLAR, STKM 20.2-25.4-40	18		
A4-51	TDA12000315ZR	HOUSING, LOWER B	6		
A4-52	K0200120002	WASHER, SPRING M12	12		
A4-53					
A4-54	TDA12000335Z0	SHAFT, ARM B1	18		
A4-55	K0071001110	BOLT, SUS W/HEX. HOLE M10-30	30		
A4-56	K0100100002	NUT, M10	38		
A4-57	K0010100602	BOLT, HT M10-60	12		
A4-58	TDA12000317BR	HOLDER, TINE	6		
A4-59	TDA12000325A2	MOUNT, TINE 12DIG/18DIG	6		
A4-60	K001A100251	BOLT, 13T W/HEX HOLE M10-25	6		
A4-61	K2590000220	TINE, V DIA 17-215	18		
A4-62	TDA12000313AR	ARM, UPPER C	4		
A4-63					
A4-64	TDA12000303Z0	SHAFT, DRIVING (LH)	2		
A4-65					
A4-66	TDA12000361AR	FITTINGS, CRANK A	6		
A4-67	TDA12000363ZR	PLATE, LOCKING	6		
A4-68					
A4-69	TDA12000130AR	MOUNT, HOUSING A	4		
A4-70	K0200120002	WASHER, SPRING M12	12		

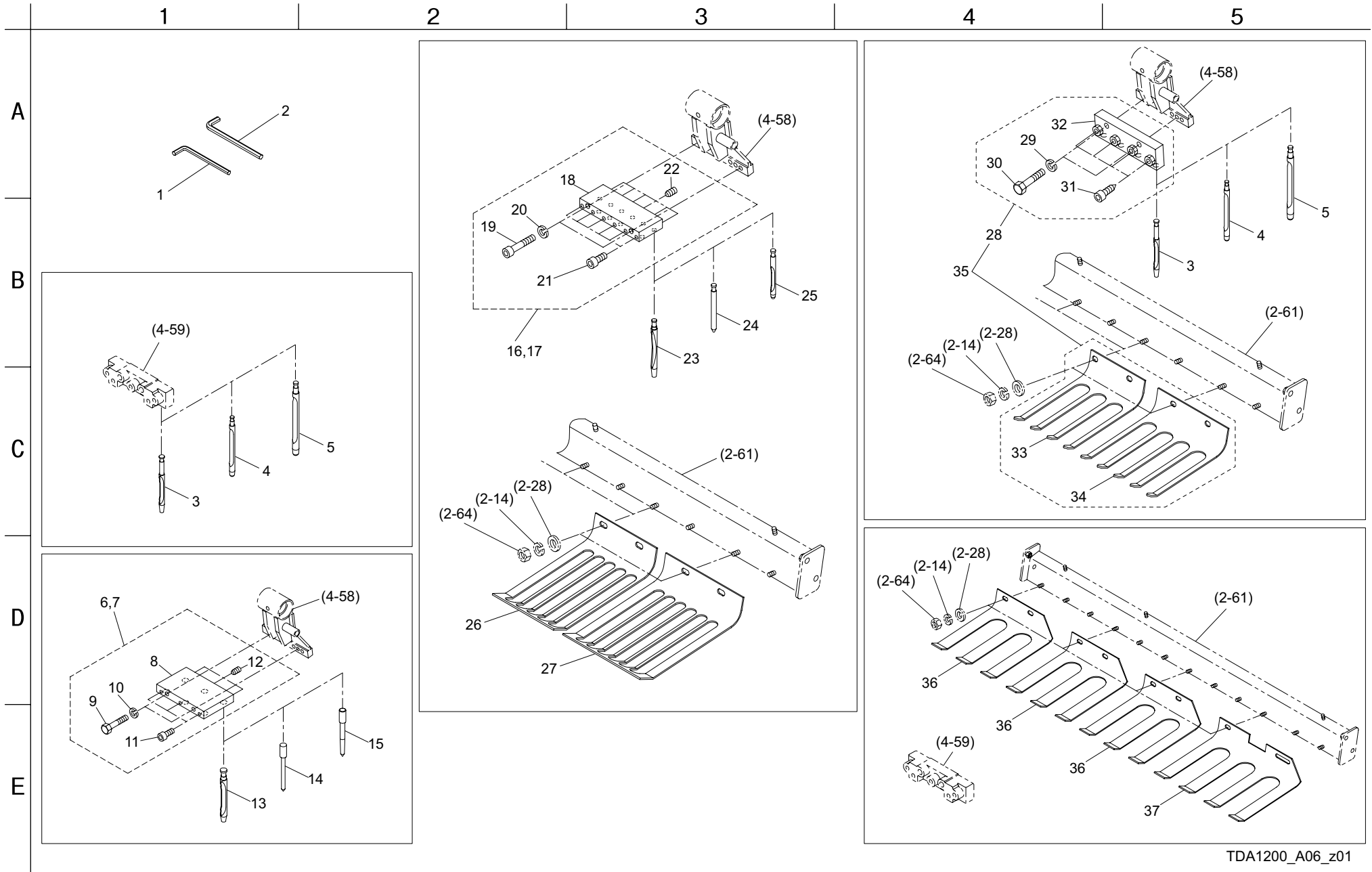
TDA1200_A04_z01



Cat No.	Code No.	Part Name	Qty	Remarks	SN of application
A4-71	K5012312222	WASHER, SPCC 2.3-12-22	12		
A4-72	TDA12000336Z2	COLLAR, BG	36		
A4-73	TDA12000365Z0	CLAMPER, SPRING	6		
A4-74	K0324080351	PIN, SPIRAL M 8-35	6		
A4-75	TDA12000364ZD	SHAFT, SPRING	6		
A4-76	K0010100352	BOLT, HT M10-35	20		
A4-77	TDA12000371Z0	CRANKSHAFT, A24	4		
A4-78	TDA12000372Z0	CRANKSHAFT, B24	2		
A4-79	TDA12000370Z8	NUT, 24 B	6		
A4-80	K0212240001	WASHER, DISK SPRING 1L M24	6		
A4-81	TDA12000373A0	BOX ASSY, SPRING	6		
A4-82	TDA12000375ZD	CLAMP, A	6		
A4-83	K0010120502	BOLT, HT M12-50	12		
A4-84	K5074512252	WASHER, SPHC 4.5-12-25	12		
A4-85	K0880022000	O-RING, P22	6		

Cat No.	Code No.	Part Name	Qty	Remarks	SN of application





MEMO

Tractor Mounted Aerator

TDA1600

Parts catalog

(For ordering parts)

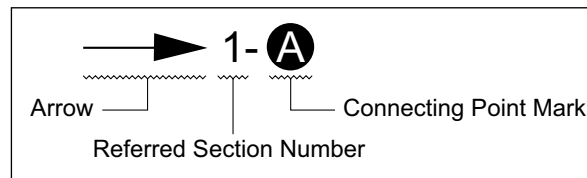
For prevention of delivery of wrong parts, be sure to inform us of the code number and the part name.

Example:	Code No.	Part Name	Qty
	K0200100002	WASHER, SPRING M10	8

<Indication of the connecting point shown on the other page>

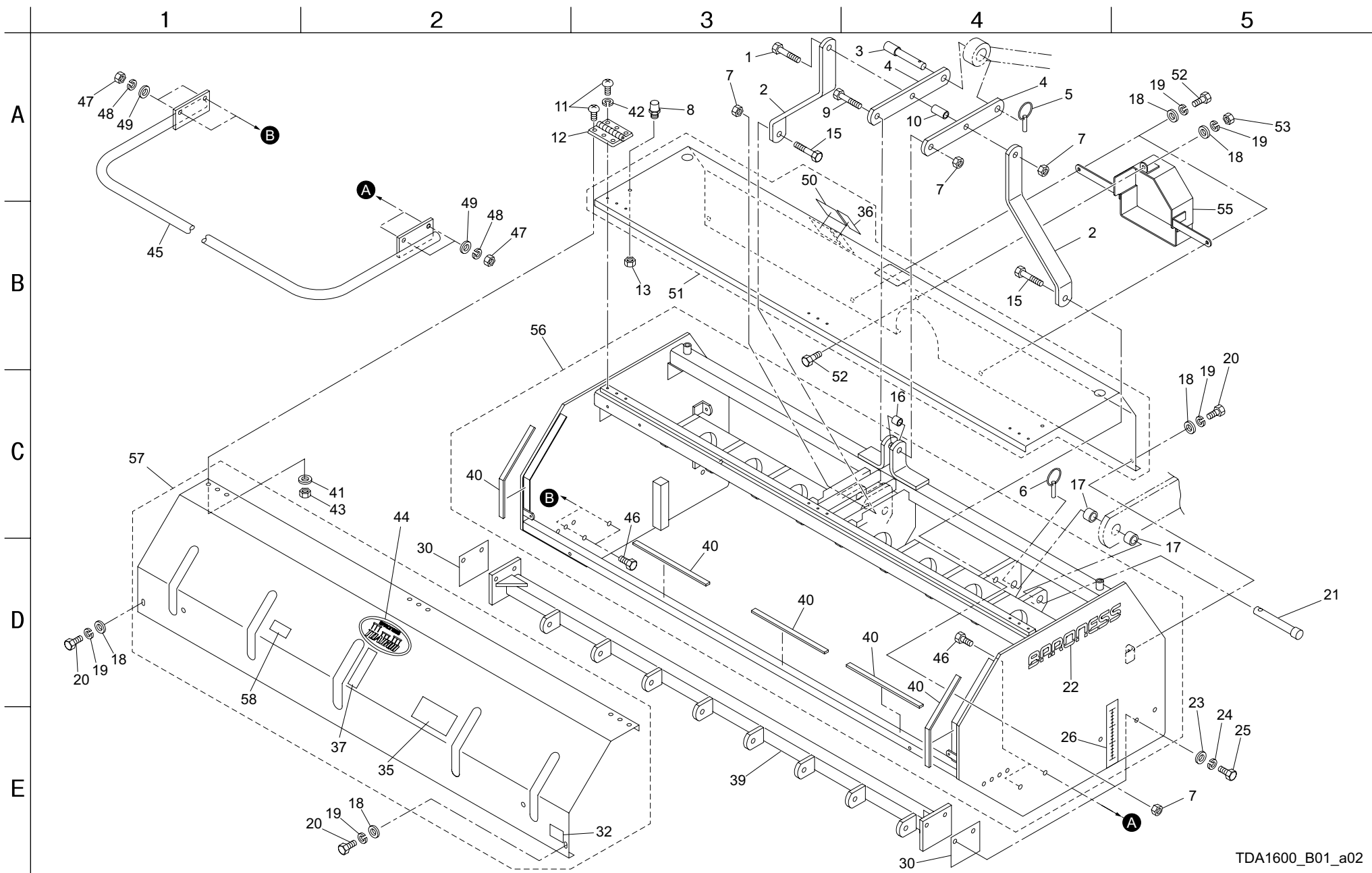
(Example and description)

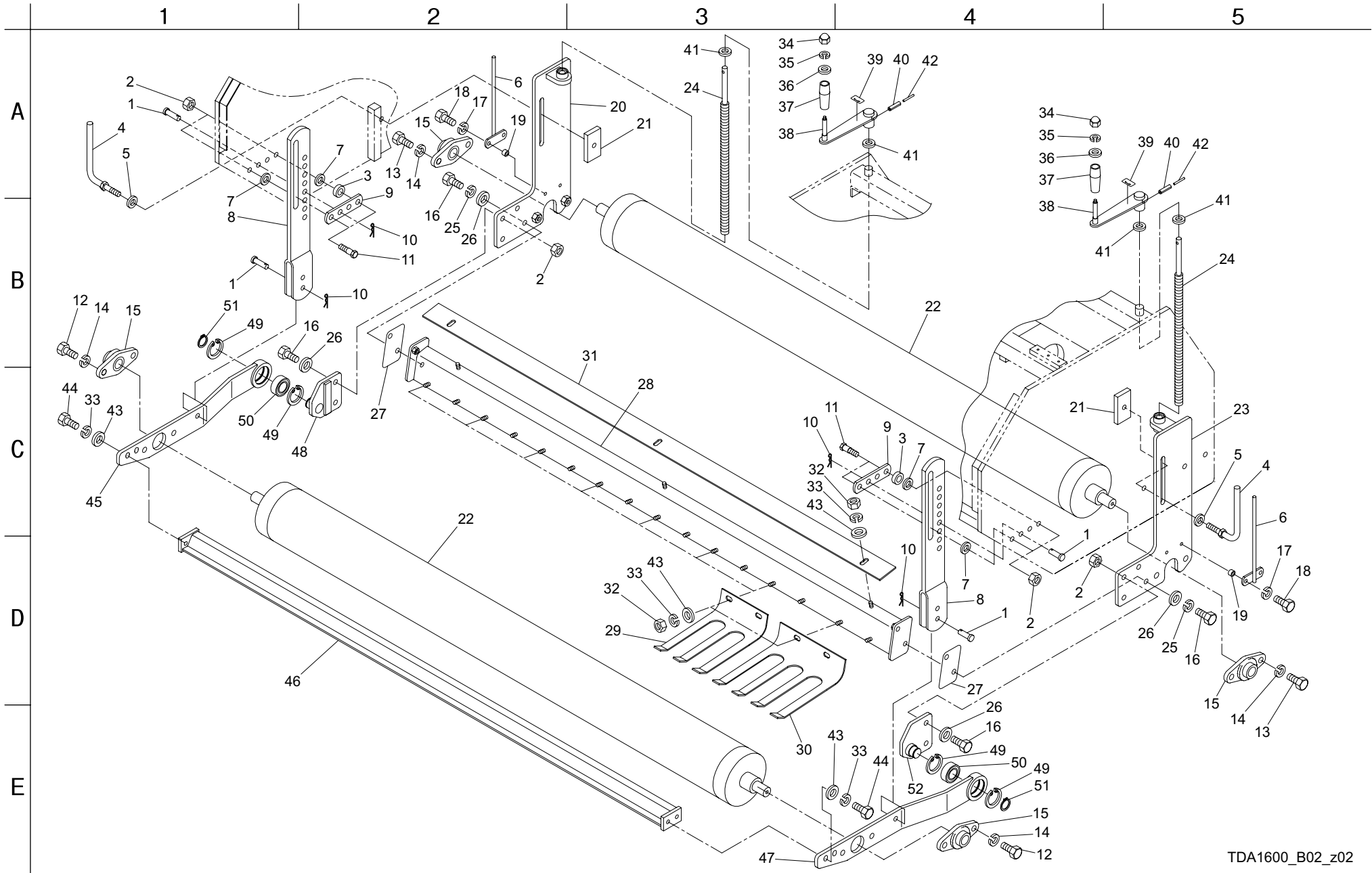
The following indication shows the connecting point of the part shown on the other page.

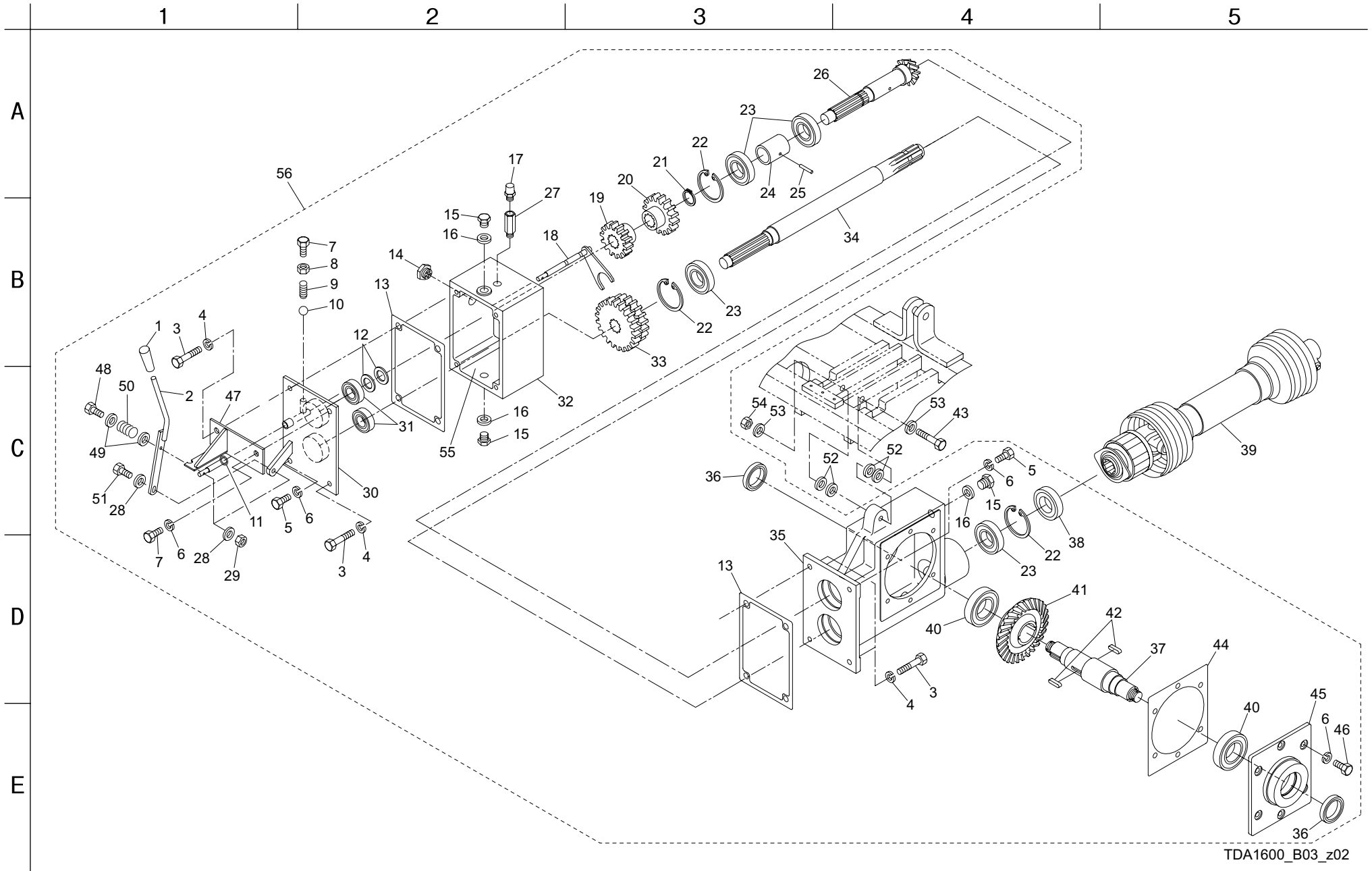


→ 1- **A** : Refer to the point **A** in the illustration of the section No.1

→ 2- **B** : Refer to the point **B** in the illustration of the section No.2

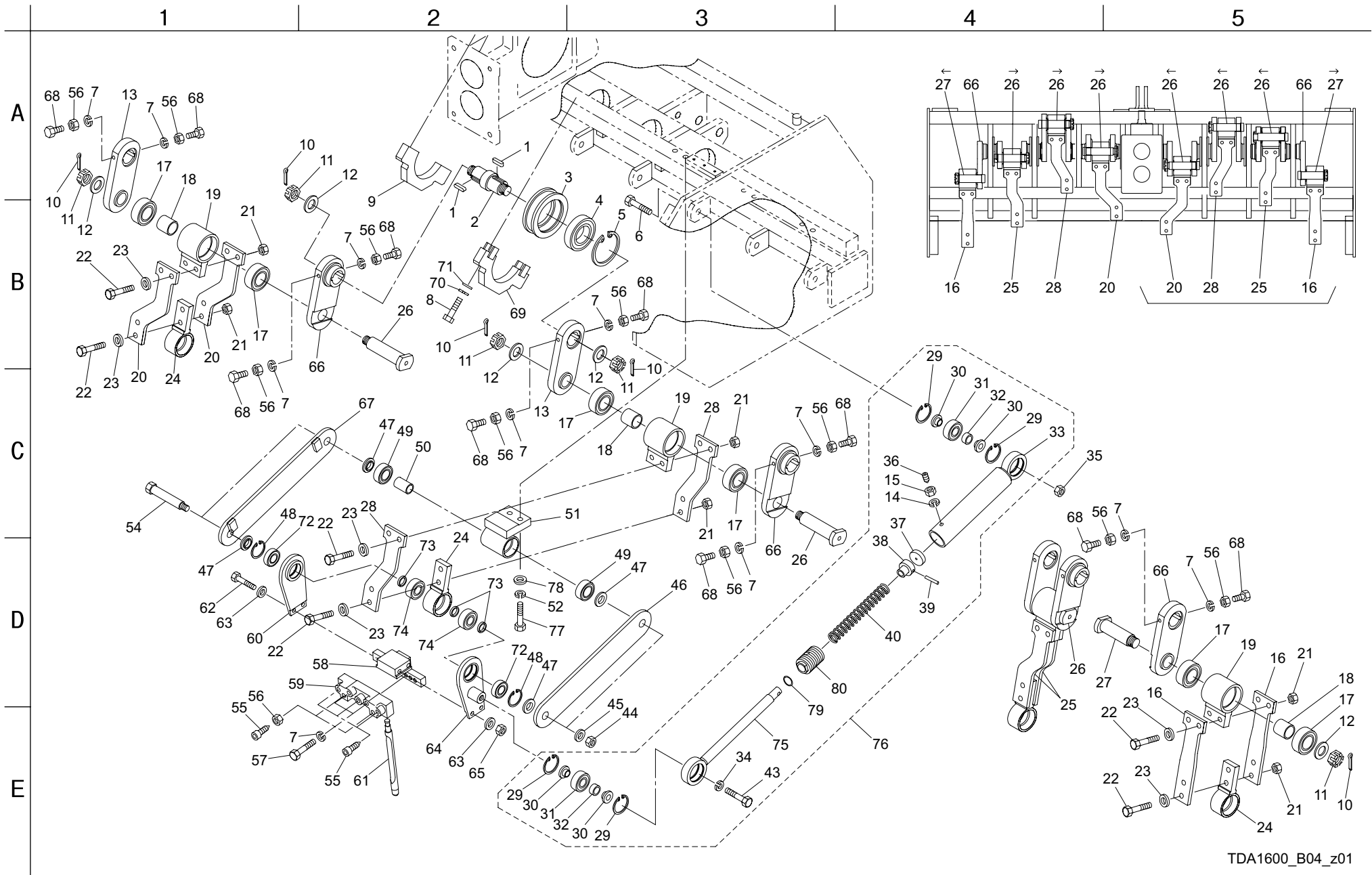






Cat No.	Code No.	Part Name	Qty	Remarks	SN of application
B3-1	K1300000070	GRIP, RUBBER BLACK 9-22	1		
B3-2	TDA12000210Z2	LEVER, GEARSHIFT	1		
B3-3	K0071000652	BOLT, POSITIONING M10-50	4		
B3-4	K0200120002	WASHER, SPRING M12	4		
B3-5	K0000100252	BOLT, M10-25	3		
B3-6	K0200100002	WASHER, SPRING M10	10		
B3-7	K0000100302	BOLT, M10-30	2		
B3-8	K0100100002	NUT, M10	1		
B3-9	K1000000021	SPRING, COMPRESSION M1.4-7.8-16	1		
B3-10	K1500800000	BALL, STEEL 8	1		
B3-11	K0880011000	O-RING, P11	1		
B3-12	K5073225402	WASHER, SPHC 3.2-25-40	2		
B3-13	TDA12000215Z0	PACKING, A	2		
B3-14	K1400000044-Y	GAUGE, OIL PF3/4 TYPE M	1		
B3-15	K1410000042-Y	PLUG, OIL W/AIR HOLE P1.5 M14	3		
B3-16	K0920140000	SEAL, WASHER SW M14	3		
B3-17	K1430000012	BREATHER, AIR PT 1/8	1		
B3-18	TDA12000209A0	FORK, SHIFTER	1		
B3-19	TDA12000208Z0	GEAR, 14-TEETH FOR #2-SHAFT	1		
B3-20	TDA12000207Z0	GEAR, 16-TEETH FOR #2-SHAFT	1		
B3-21	K0401030001	RING, RETAINING S M30	1		
B3-22	K0402072001	RING, RETAINING R M72	3		
B3-23	K0600062070	BEARING, BALL 6207	4		
B3-24	K6215000270	COLLAR, STKM W/HOLE M35-45.1-58	1		
B3-25	K0320060451	PIN, SPRING M6-45	1		
B3-26	TDA12000205Z0	SHAFT, DRIVING B	1		
B3-27	K7899001242	PIPE, AIR BREATHER	1		
B3-28	K5000060002	WASHER, M6	3		
B3-29	K0144060002	NUT, W/F-RING M6	2		
B3-30	TDA12000203AR	COVER, GEARBOX	1		
B3-31	K0600062050	BEARING, BALL 6205	2		
B3-32	TDA12000202ZR	GEARBOX, CRANK B	1		
B3-33	TDA12000206Z0	GEAR, DOUBLE 20-/22T FOR #1-SHAFT	1		
B3-34	TDA12000204Z0	SHAFT, DRIVING A	1		
B3-35	TDA12000201AR	GEARBOX, CRANK A	1		

Cat No.	Code No.	Part Name	Qty	Remarks	SN of application
B3-36	K0824062080	OIL SEAL, MHSA40628	2		
B3-37	TDA16000214Z0	SHAFT, DRIVING C8	1		
B3-38	K0862000050	OIL SEAL, UE35729	1		
B3-39	K1620000210	SHAFT, DRIVE AS205-N400	1		
B3-40	K0600062090	BEARING, BALL 6209	2		
B3-41	TDA12000213Z0	GEAR, BEVEL 30-TEETH	1		
B3-42	K0500808310	KEY, BOTH ROUND M8-831.5	2		
B3-43	K0013121002	BOLT, HT M12-100	1		
B3-44	TDA12000216Z0	PACKING, B	1		
B3-45	TDA12000212AR	HOUSING, CRANKSHAFT	1		
B3-46	K0000100202	BOLT, M10-20	6		
B3-47	TDA12000220ZR	GUIDE, GEARSHIFT	1		
B3-48	K0000060502	BOLT, M6-50	1		
B3-49	K5012306202	WASHER, SPCC 2.3-6-20	2		
B3-50	K1000000309	SPRING, COMPRESSION M1.6-13.7-20	1		
B3-51	K0000060252	BOLT, M6-25	1		
B3-52	K6210000272	COLLAR, M12.2-256	4		
B3-53	K5073212252	WASHER, SPHC 3.2-12-25	2		
B3-54	K0144120002	NUT, W/F-RING M12	1		
B3-55	K2915000200	OIL, GEAR BNNOC TS680 20L	-	Consumption = 3.8 L	
B3-56	TDA16000222Z0	BOX ASSY, GEAR	1		



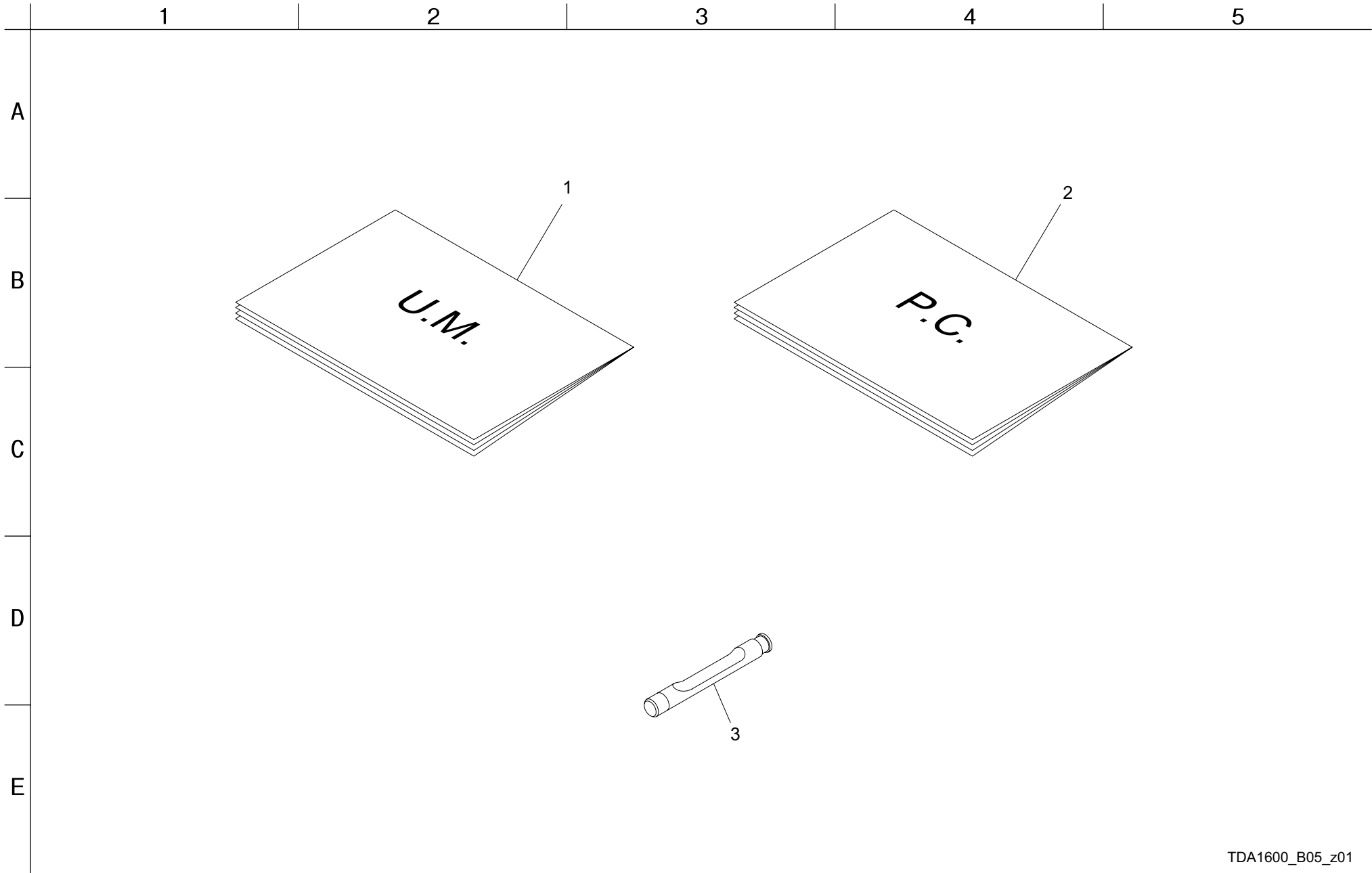
Cat No.	Code No.	Part Name	Qty	Remarks	SN of application
B4-1	K0500808310	KEY, BOTH ROUND M8-831.5	28		
B4-2	TDA16000302Z0	SHAFT, DRIVING 8	6		
B4-3	TDA12000304ZR	HOUSING, CRANK	6		
B4-4	K0608062090	BEARING, BALL SEAL 2RS 6209	6		
B4-5	K0402085001	RING, RETAINING R M85	6		
B4-6	K0013140502	BOLT, HT M14-50	8		
B4-7	K0200100002	WASHER, SPRING M10	44		
B4-8	K0013120702	BOLT, HT M12-70	16		
B4-9	TDA12000121AR	MOUNT, HOUSING	2		
B4-10	K0300032402	PIN, COTTER M3.2-40	22		
B4-11	TDA12000370Z8	NUT, 24 B	22		
B4-12	K0212240001	WASHER, DISK SPRING 1L M24	22		
B4-13	TDA12000301AR	BRACKET, CRANK	6		
B4-14	K0200080002	WASHER, SPRING M8	8		
B4-15	K0100080002	NUT, M8	8		
B4-16	TDA16000308ZR	ARM, UPPER D1	4		
B4-17	K0612062060	BEARING, BALL SEAL 2RD 6206	16		
B4-18	K6212002370	COLLAR, STKM M30-36-35	8		
B4-19	TDA12000305AR	HOUSING, UPPER	8		
B4-20	TDA16000305ZR	ARM, UPPER A1	4		
B4-21	K0144120002	NUT, W/F-RING M12	32		
B4-22	K0010120602	BOLT, HT M12-60	32		
B4-23	K5000120002	WASHER, M12	32		
B4-24	TDA16000310ZR	HOUSING, LOWER A8	8		
B4-25	TDA16000307ZR	ARM, UPPER C1	4		
B4-26	TDA12000371Z0	CRANKSHAFT, A24	6		
B4-27	TDA12000372Z0	CRANKSHAFT, B24	2		
B4-28	TDA16000306ZR	ARM, UPPER B1	4		
B4-29	K0402047001	RING, RETAINING R M47	32		
B4-30	TDA12000323Z2	COLLAR, LOCKING BOX	32		
B4-31	K0613060050	BEARING, BALL SEAL 2RDC3 6005	16		
B4-32	TDA12000324Z0	COLLAR, URETHANE	16		
B4-33	TDA16000318ZD	BOX, SPRING 8	8		
B4-34	K0200140002	WASHER, SPRING M14	8		
B4-35	K0144140002	NUT, W/F-RING, M14	8		

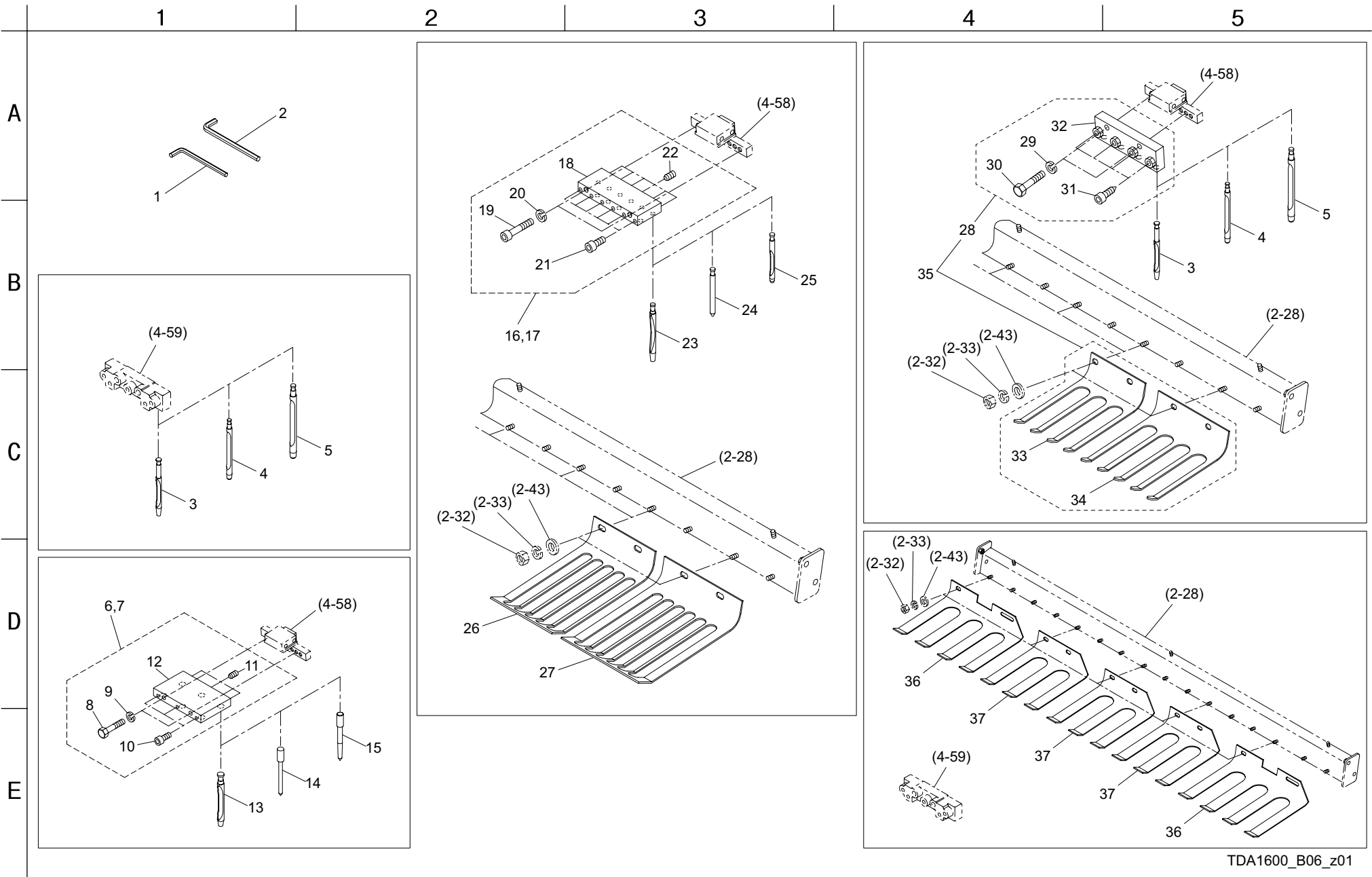
Cat No.	Code No.	Part Name	Qty	Remarks	SN of application
B4-36	K0028080200	SETSCREW, SUS M8-20	8		
B4-37	TDA12000327Z0	SEAT, URETHANE	8		
B4-38	TDA12000365Z0	CLAMPER, SPRING	8		
B4-39	K0324080351	PIN, SPIRAL M 8-35	8		
B4-40	K1000000890	SPRING, COMPRESSION M5-36-210	8		
B4-41					
B4-42					
B4-43	K0013140452	BOLT, HT M14-45	8		
B4-44	K0145140002	NUT, W/F-RING M14 P1.5	16		
B4-45	K0212140002	WASHER, DISK SPRING 1L M14	16		
B4-46	TDA16000314ZR	ARM, LOWER 8	8		
B4-47	TDA16000336Z2	COLLAR, BG 8	32		
B4-48	K0402042001	RING, RETAINING R M42	16		
B4-49	K0612062040	BEARING, BALL SEAL 2RD 6204	16		
B4-50	K6212000180	COLLAR, STKM 20.2-25.4-40	8		
B4-51	TDA12000315ZR	HOUSING, LOWER B	8		
B4-52	K0200120002	WASHER, SPRING M12	16		
B4-53					
B4-54	TDA16000335Z0	SHAFT, ARM B8	16		
B4-55	K0071001110	BOLT, SUS W/HEX. HOLE M10-30	40		
B4-56	K0100100002	NUT, M10	44		
B4-57	K0010100602	BOLT, HT M10-60	16		
B4-58	TDA16000317ZR	HOLDER, TINE 8	8		
B4-59	TDA12000325A2	MOUNT, TINE 12DIG/18DIG	8		
B4-60	TDA16000315BR	HOLDER, TINE A	8		
B4-61	K2590000220	TINE, V DIA 17-215	24		
B4-62	K0013100902	BOLT, HT M10-90	16		
B4-63	K5000100002	WASHER, M10	32		
B4-64	TDA16000316BR	HOLDER, TINE B	8		
B4-65	K0144100002	NUT, W/F-RING M10	16		
B4-66	TDA12000361AR	FITTINGS, CRANK A	8		
B4-67	TDA16000363ZR	PLATE, LOCKING 8	8		
B4-68	K0010100352	BOLT, HT M10-35	28		
B4-69	TDA12000130AR	MOUNT, HOUSING A	6		
B4-70	K0200120002	WASHER, SPRING M12	16		

TDA1600_B04_z01

Cat No.	Code No.	Part Name	Qty	Remarks	SN of application
B4-71	K5012312222	WASHER, SPCC 2.3-12-22	16		
B4-72	K0612060040	BEARING, BALL SEAL 2RD 6004	16		
B4-73	K6212000160	COLLAR, STKM 20.2-25.4-75	24		
B4-74	K0617063040	BEARING, BALL SEAL 2NSE 6304	16		
B4-75	TDA16000364ZD	SHAFT, SPRING 8	8		
B4-76	TDA16000373A0	BOX ASSY, SPRING 8	8		
B4-77	K0010120502	BOLT, HT M12-50	16		
B4-78	K5074512252	WASHER, SPHC 4.5-12-25	16		
B4-79	K0880022000	O-RING, P22	8		
B4-80	TDA12000375ZD	CLAMP, A	8		

Cat No.	Code No.	Part Name	Qty	Remarks	SN of application





BARONESS[®]
Quality on Demand

 **KYOEISHA CO., LTD.**
Head Office 1-26, Miyuki-cho, Toyokawa-city, Tel :+81-533-84-1390
Aichi-pref, 442-8530 JAPAN Fax:+81-533-84-1220