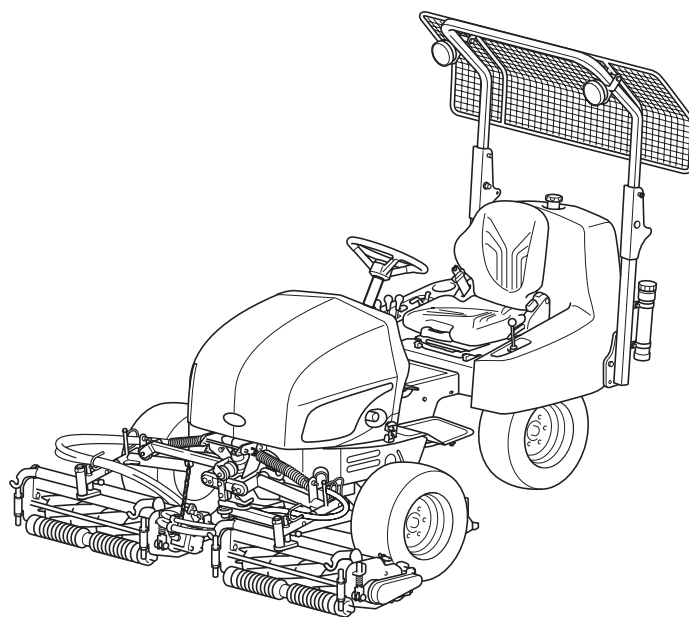


LM331

3-Unit Surround & Trim Mower

Parts catalog



BARONESS
Quality on Demand

Greeting

Thank you for purchasing Baroness machine.

This machine has been shipped from the factory after comprehensive test runs and inspections. However, the optimum performance of the machine depends on how you use and maintain it, including routine inspections, adjustments, and fuel supplies before and after the operation.

We hope you will use the machine safely, and take advantage of its best performance.

Note

(For inquiry about this machine)

Since the type of machine may be changed sequentially, inform us of the type and the serial number.

The information described in this manual is subject to change without prior notice.

When replacing parts, be sure to use Baroness parts or parts designated by Kyo-eisha.

Note that the Baroness product warranty may not apply to defects caused by the use of parts from other companies.

(For ordering parts)

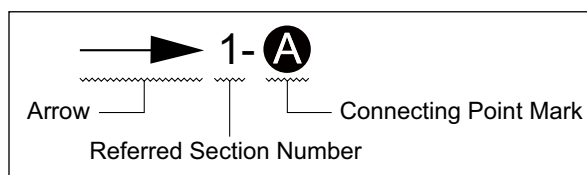
For prevention of delivery of wrong parts, be sure to inform us of the code number and the part name.

| Example: | Code No. | Part Name | Qty |
|----------|-------------|--------------------|-----|
| | K0200100002 | WASHER, SPRING M10 | 8 |

<Indication of the connecting point shown on the other page>

(Example and description)

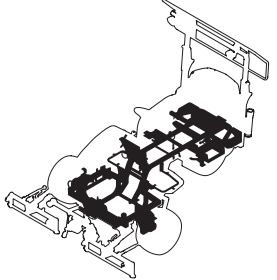
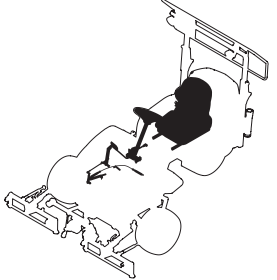
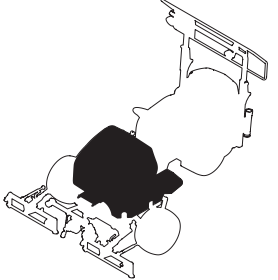
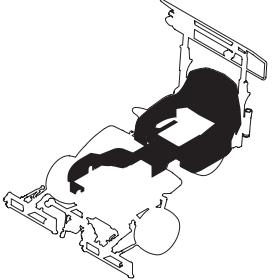
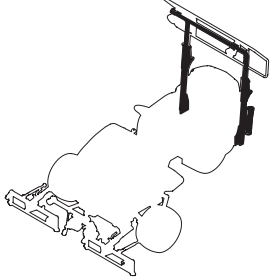
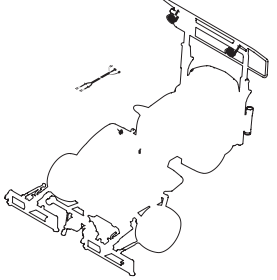
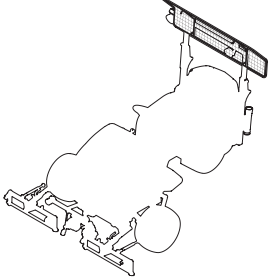
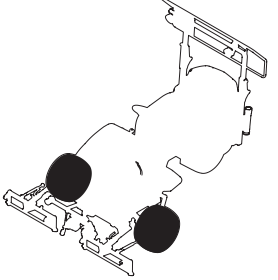
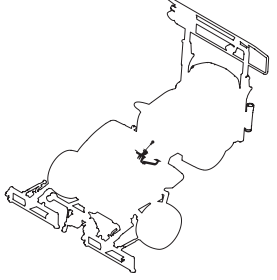
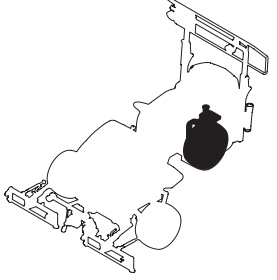
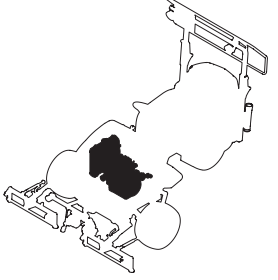
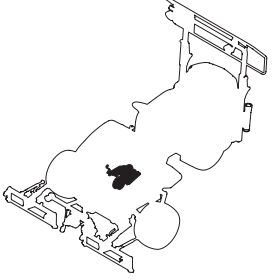
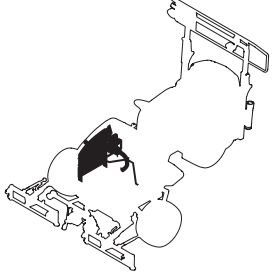
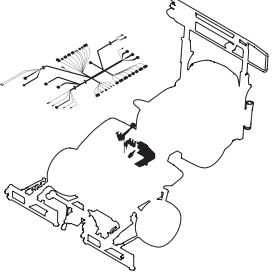
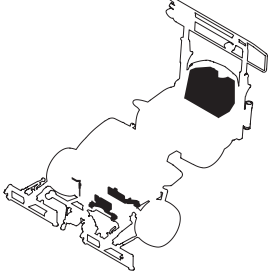
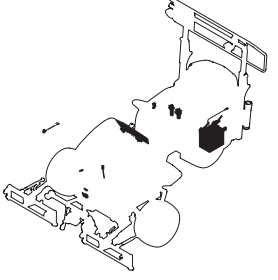
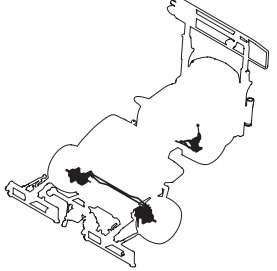
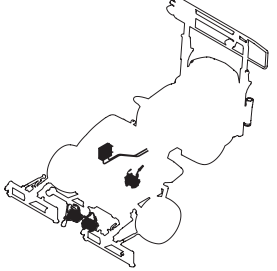
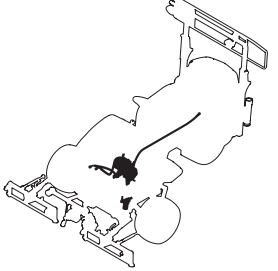
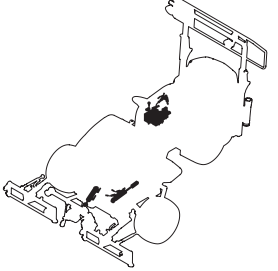
The following indication shows the connecting point of the part shown on the other page.

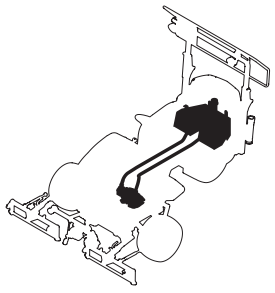
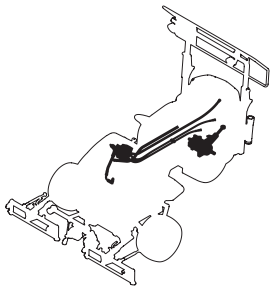
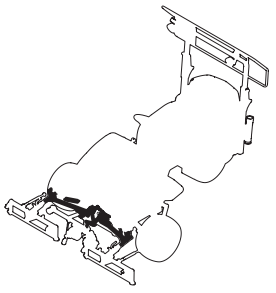
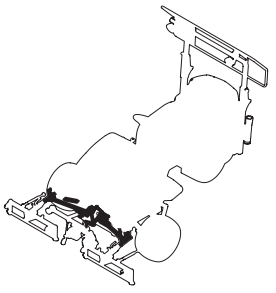
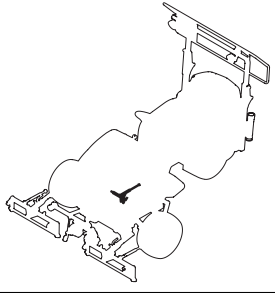
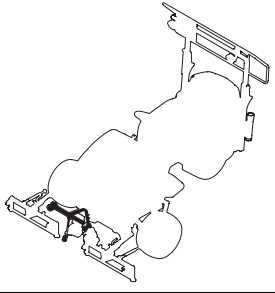
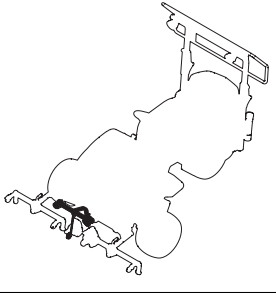
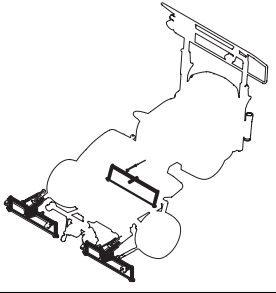
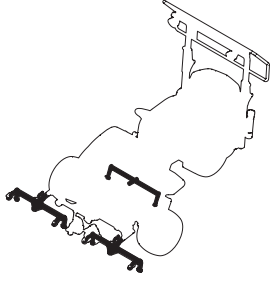
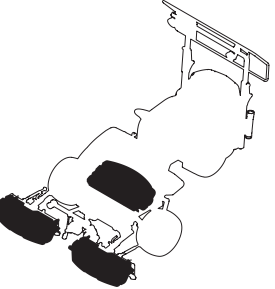
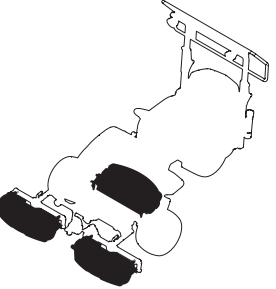
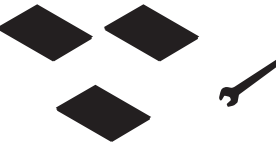


→ 1- **A** : Refer to the point **A** in the illustration of the section No.1

→ 2- **B** : Refer to the point **B** in the illustration of the section No.2

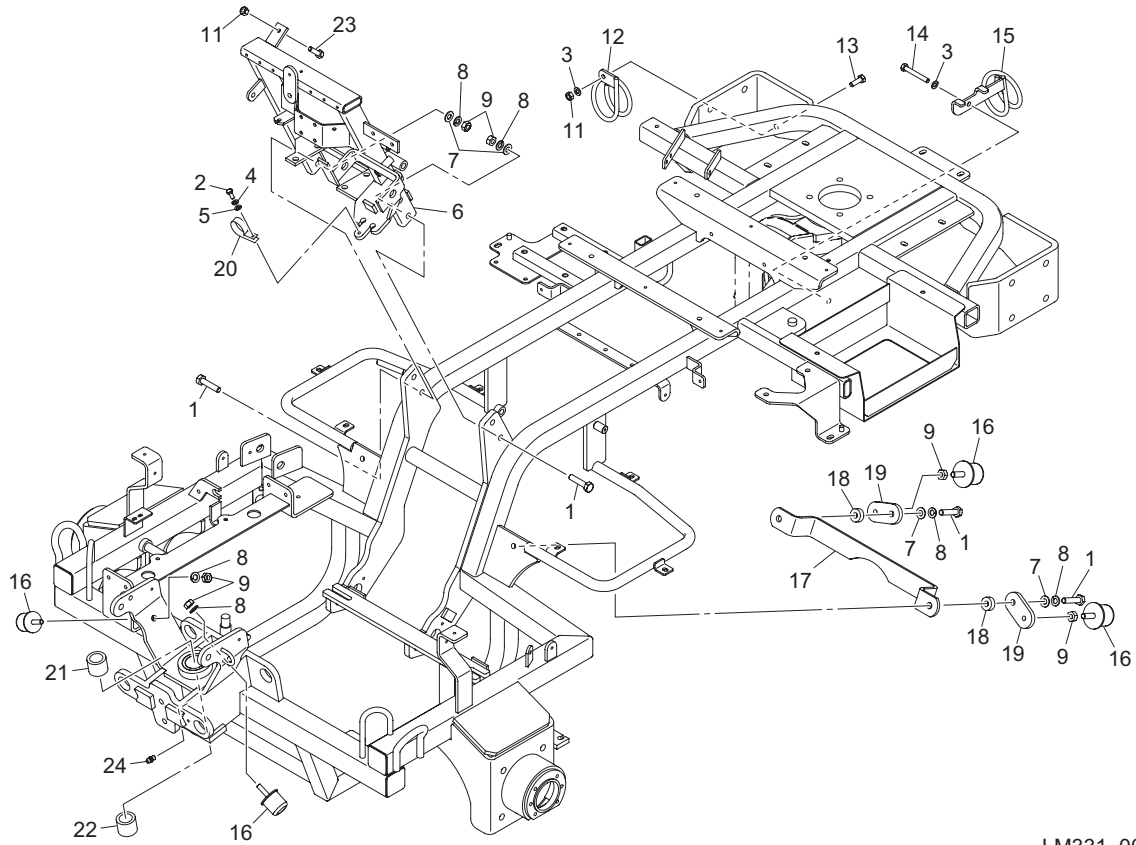
Contents

| | | | |
|---|---|--|---|
| <p>1.Frame section3</p>  | <p>2.Operation section4</p>  | <p>3.Cover section A.....6</p>  | <p>4.Cover section B8</p>  |
| <p>5.ROPS section10</p>  | <p>6.Head light section11</p>  | <p>7.Ball proof net section12</p>  | <p>8.Front wheel & Brake section A13</p>  |
| <p>9.Front wheel & Brake section B15</p>  | <p>10.Rear wheel section16</p>  | <p>11.Engine & Electrical section A17</p>  | <p>12.Engine & Electrical section B19</p>  |
| <p>13.Engine & Electrical section C22</p>  | <p>14.Engine & Electrical section D24</p>  | <p>15.Engine & Electrical section E26</p>  | <p>16.Engine & Electrical section F28</p>  |
| <p>17.Hydraulic section A30</p>  | <p>18.Hydraulic section B32</p>  | <p>19.Hydraulic section C34</p>  | <p>20.Hydraulic section D36</p>  |

| | | | |
|--|--|--|---|
| <p>21. Hydraulic section E39</p>  | <p>22. Hydraulic section F40</p>  | <p>A23. Lift arm section A for MC mower unit42</p>  | <p>B23. Lift arm section B for STD mower unit44</p>  |
| <p>24. Lift arm section C46</p>  | <p>A25. Lift arm section D for MC mower unit47</p>  | <p>B25. Lift arm section E for STD mower unit48</p>  | <p>A26. Mower arm A for MC mower unit49</p>  |
| <p>B26. Mower arm B for STD mower unit50</p>  | <p>A27. Grass catcher A for MC mower unit51</p>  | <p>B27. Grass catcher B for STD mower unit52</p>  | <p>28. Accessories54</p>  |

1.Frame section

LM331

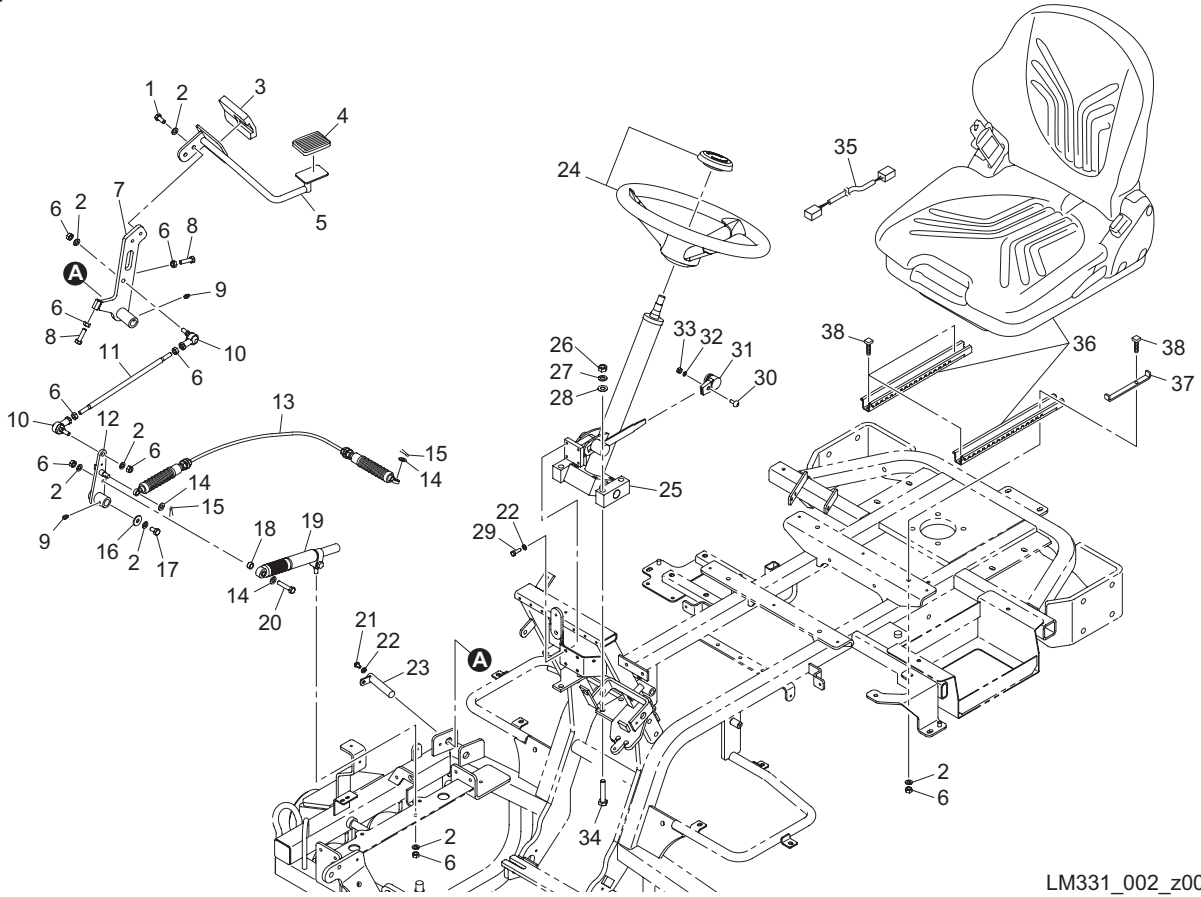


LM331_001_z03

| Cat No. | Code No. | Part name | Qty | Remark | SN of application |
|---------|---------------|--------------------------------|-----|--------|-------------------|
| 1-1 | K0000100452 | BOLT, M10-45 | 6 | | |
| 1-2 | K0000060152 | BOLT, M6-15 | 1 | | |
| 1-3 | K0200080002 | WASHER, SPRING M8 | 2 | | |
| 1-4 | K0200060002 | WASHER, SPRING M6 | 1 | | |
| 1-5 | K5000060002 | WASHER, M6 | 1 | | |
| 1-6 | LM331--0611AD | BASE, HANDLE | 1 | | |
| 1-7 | K5000100002 | WASHER, M10 | 6 | | |
| 1-8 | K0200100002 | WASHER, SPRING M10 | 8 | | |
| 1-9 | K0100100002 | NUT, M10 | 8 | | |
| 1-10 | | | | | |
| 1-11 | K0100080002 | NUT, M8 | 2 | | |
| 1-12 | LM331--0621Z2 | GUIDE, HOSE | 1 | | |
| 1-13 | K0000080252 | BOLT, M8-25 | 1 | | |
| 1-14 | K0000080602 | BOLT, M8-60 | 1 | | |
| 1-15 | LM331--0622Z2 | GUIDE, HOSE | 1 | | |
| 1-16 | K4049050000 | STOPPER, RUBBER KI-50 | 4 | | |
| 1-17 | LM331--0625AD | PLATE, HOSE GUARD | 1 | | |
| 1-18 | K6210000062 | COLLAR, SS41 10.5-25-10 | 2 | | |
| 1-19 | LM331--0626Z2 | PLATE, W/ M10 TAPPED HOLE | 2 | | |
| 1-20 | K4270015060 | CLIP, HARNESS 15 M6 | 1 | | |
| 1-21 | K6000000580 | BUSH, COPPER 35-47-35 | 1 | | |
| 1-22 | K6000000550 | BUSH, COPPER 40-47-35 | 1 | | |
| 1-23 | K0000080452 | BOLT, M8-45 | 1 | | |
| 1-24 | K1440000010 | GREASE NIPPLE, STRAIGHT TYPE A | 1 | | |
| | | | | | |

2.Operation section

LM331

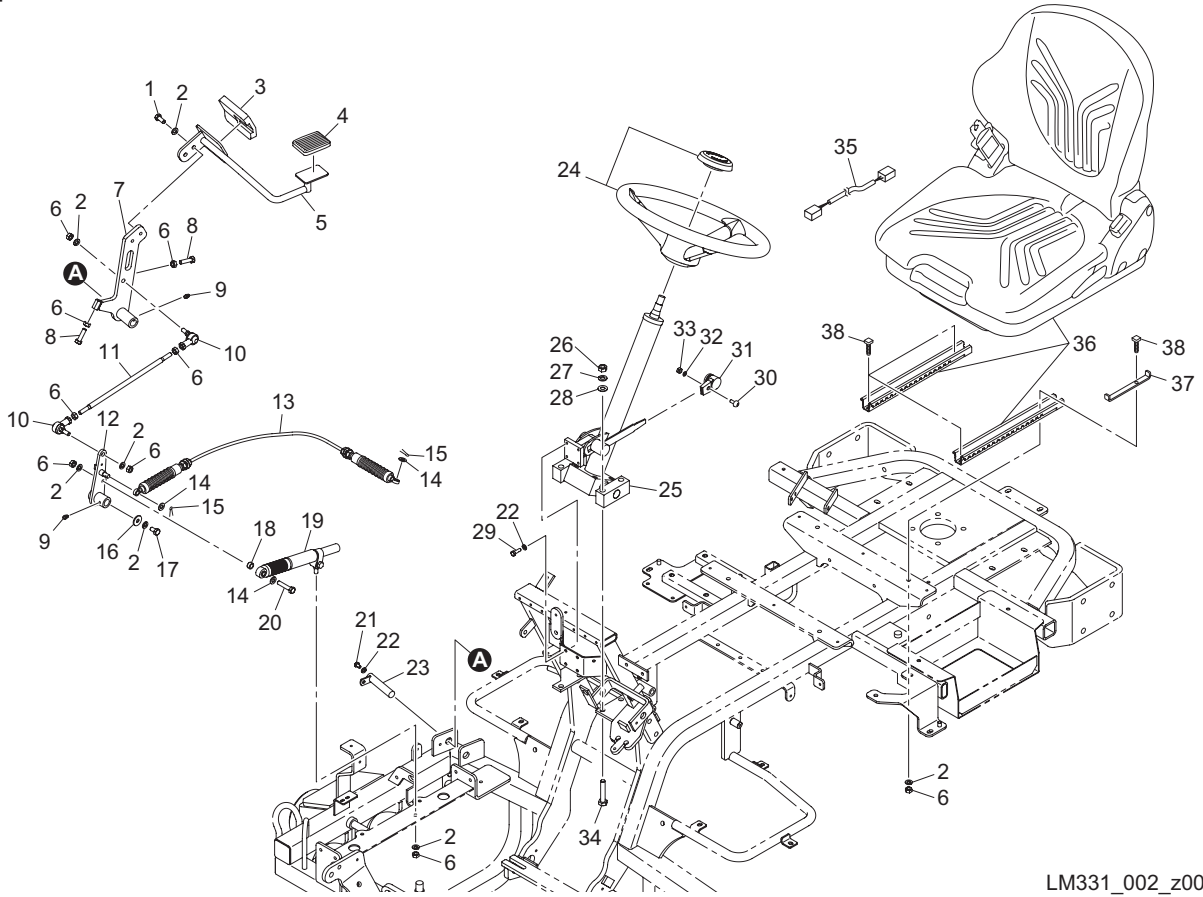


LM331_002_z00

| Cat No. | Code No. | Part name | Qty | Remark | SN of application |
|---------|---------------|--------------------------------|-----|--------|-------------------|
| 2-1 | K0000080202 | BOLT, M8-20 | 2 | | |
| 2-2 | K0200080002 | WASHER, SPRING M8 | 11 | | |
| 2-3 | K4050000050 | RUBBER, FOR PEDAL 70100 | 1 | | |
| 2-4 | K4050000020 | RUBBER, FOR PEDAL 4560 | 1 | | |
| 2-5 | LM331--0801AD | PEDAL, TRAVELLING | 1 | | |
| 2-6 | K0100080002 | NUT, M8 | 12 | | |
| 2-7 | LM331--0804ZD | BASE, TRAVELLING PEDAL | 1 | | |
| 2-8 | K0000080302 | BOLT, M8-30 | 2 | | |
| 2-9 | K1440000010 | GREASE NIPPLE, STRAIGHT TYPE A | 2 | | |
| 2-10 | K1604080000 | JOINT, SPHERICAL LHS A8 | 2 | | |
| 2-11 | LM331--0807Z2 | ROD, 280 W/ M8 SCREW | 1 | | |
| 2-12 | LM331--0806Z2 | LEVER, RELAYING TRAVEL MOTION | 1 | | |
| 2-13 | LM331--0812Z0 | CABLE COMP, PUSH PULL | 1 | | |
| 2-14 | K5000080002 | WASHER, M8 | 3 | | |
| 2-15 | K0300020202 | PIN, COTTER M2-20 | 2 | | |
| 2-16 | K5012308242 | WASHER, SPCC 2.3-8-24 | 1 | | |
| 2-17 | K0000080152 | BOLT, M8-15 | 1 | | |
| 2-18 | K6212003262 | COLLAR, STKM M8.5-14-8 | 1 | | |
| 2-19 | K3380000010 | DAMPER, FOR LEVER | 1 | | |
| 2-20 | K0000080402 | BOLT, M8-40 | 1 | | |
| 2-21 | K0000060122 | BOLT, M6-12 | 1 | | |
| 2-22 | K0200060002 | WASHER, SPRING M6 | 5 | | |
| 2-23 | LM331--0805Z2 | SHAFT, PEDAL | 1 | | |
| 2-24 | K1710000080 | STEERING, V027220-0101 | 1 | | |
| 2-25 | K1730000030 | COLUMN, STEERING TILT TYPE | 1 | | |
| 2-26 | K0100100002 | NUT, M10 | 4 | | |
| 2-27 | K0200100002 | WASHER, SPRING M10 | 4 | | |
| 2-28 | K5000100002 | WASHER, M10 | 4 | | |
| 2-29 | K0000060202 | BOLT, M6-20 | 4 | | |
| 2-30 | K0042050082 | SCREW, + ROUND HEAD M5-8 | 1 | | |

2.Operation section

LM331

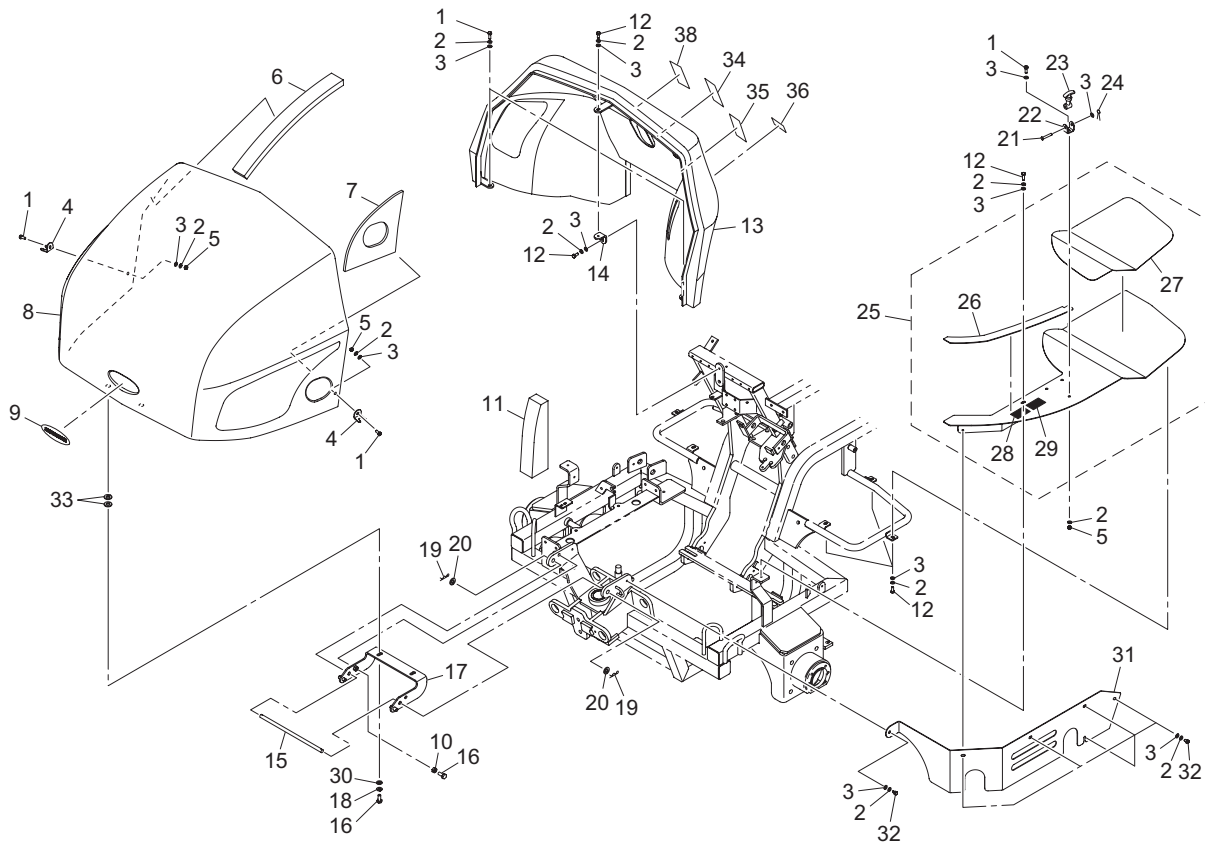


LM331_002_z00

| Cat No. | Code No. | Part name | Qty | Remark | SN of application |
|---------|---------------|------------------------------|-----|--------|-------------------|
| 2-31 | K1301000150 | GRIP, PLASTIC THROTTLE LEVER | 1 | | |
| 2-32 | K0200050002 | WASHER, SPRING M5 | 1 | | |
| 2-33 | K0100050002 | NUT, M5 | 1 | | |
| 2-34 | K0000100552 | BOLT, M10-55 | 4 | | |
| 2-35 | K3620001010 | WIRING, SEAT SWITCH NO | 1 | | |
| 2-36 | K1700000370 | SEAT, MSG65 | 1 | | |
| 2-37 | LM331--0811ZD | STOPPER, SEAT RAIL | 1 | | |
| 2-38 | K0069000272 | BOLT, SQ HEAD M8-25 | 4 | | |
| 2-39 | | | | | |
| 2-40 | | | | | |
| | | | | | |
| | | | | | |
| | | | | | |
| | | | | | |

3.Cover section A

LM331

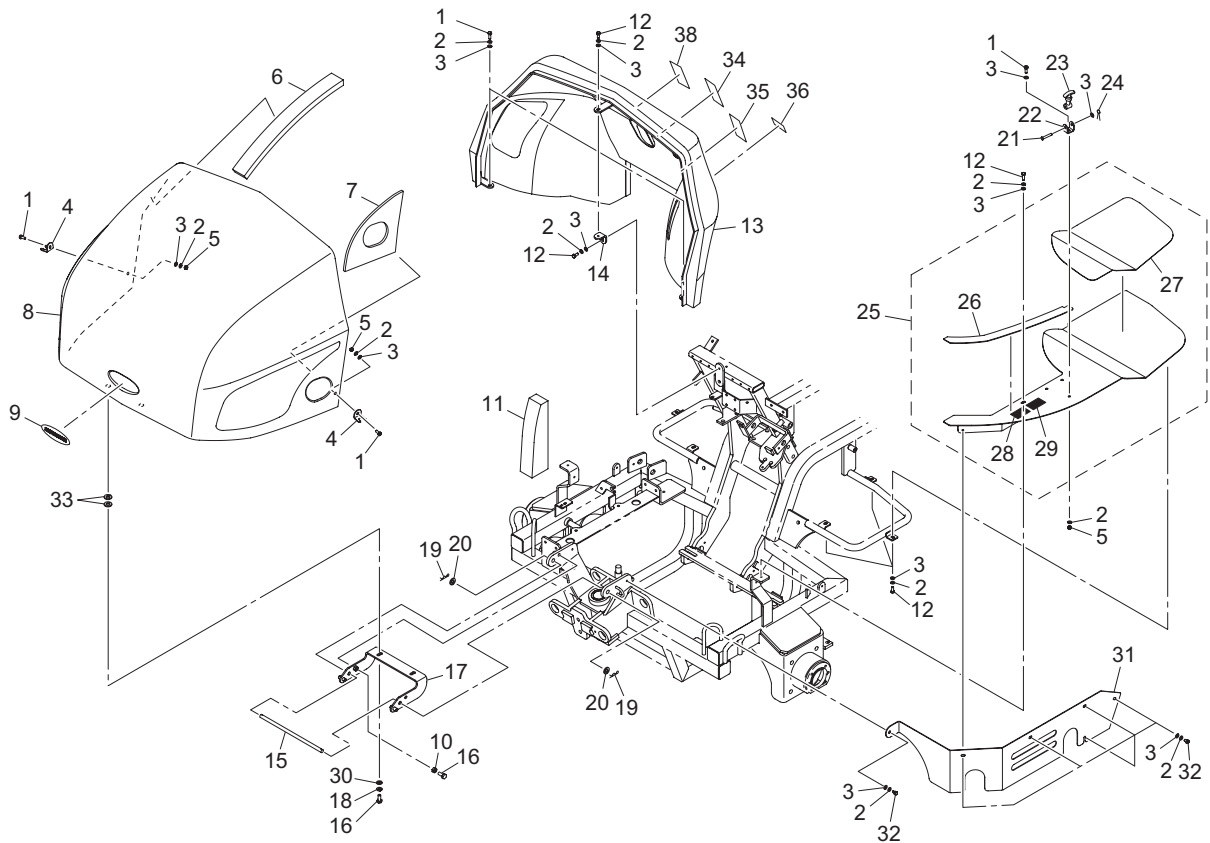


LM331_003_z01

| Cat No. | Code No. | Part name | Qty | Remark | SN of application |
|---------|---------------|--|-----|--------|-------------------|
| 3-1 | K0000060202 | BOLT, M6-20 | 5 | | |
| 3-2 | K0200060002 | WASHER, SPRING M6 | 11 | | |
| 3-3 | K5000060002 | WASHER, M6 | 12 | | |
| 3-4 | K5270002352 | RECEIVER, RUBBER HOOK | 2 | | |
| 3-5 | K0100060002 | NUT, M6 | 3 | | |
| 3-6 | LM331--0907Z0 | URETHAN, UPPER HOOD | 1 | | |
| 3-7 | LM331--0906Z0 | SHEET, HEAT INSULATING | 1 | | |
| 3-8 | LM331--0901Z0 | HOOD COMP, FRONT | 1 | | |
| 3-9 | K4201000570 | STICKER, BARONESS | 1 | | |
| 3-10 | K0100080002 | NUT, M8 | 1 | | |
| 3-11 | LM331--0961Z0 | URETHAN, RADIATOR FRAME | 1 | | |
| 3-12 | K0000060152 | BOLT, M6-15 | 6 | | |
| 3-13 | LM331--0911Z0 | CONSOLE COMP | 1 | | |
| 3-14 | LM331--0916Z2 | ANGLE, L SHAPE | 1 | | |
| 3-15 | LM331--0909Z2 | SHAFT, HINGE | 1 | | |
| 3-16 | K0000080302 | BOLT, M8-30 | 3 | | |
| 3-17 | LM331--0908Z2 | HINGE, HOOD | 1 | | |
| 3-18 | K0200080002 | WASHER, SPRING M8 | 2 | | |
| 3-19 | K0341000002 | PIN, SNAP W/RETAINER M10 | 2 | | |
| 3-20 | K5000100002 | WASHER, M10 | 2 | | |
| 3-21 | K6030060352 | PIN, FLAT HEAD M6-35 | 1 | | |
| 3-22 | K5200000102 | BRACKET, RUBBER HOOK | 1 | | |
| 3-23 | K1520000090 | HOOK, RUBBER SMALL | 1 | | |
| 3-24 | K0300016202 | PIN, COTTER M1.6-20 | 1 | | |
| 3-25 | LM331--0939Z0 | FLOOR COMP, (LH) | 1 | | |
| 3-26 | LM331--0935Z0 | RECEIVER, RUBBER HOOD (LH) | 1 | | |
| 3-27 | LM331--0937Z0 | SHEET, PLASTIC ANTISLIP FOR FLOOR (LH) | 1 | | |
| 3-28 | K4205001920 | DECAL, CAUTION HOT PARTS | 1 | | |
| 3-29 | K4205001930 | DECAL, CAUTION GETTING CAUGHT HANDS/FEET | 1 | | |
| 3-30 | K5000080002 | WASHER, M8 | 2 | | |

3.Cover section A

LM331

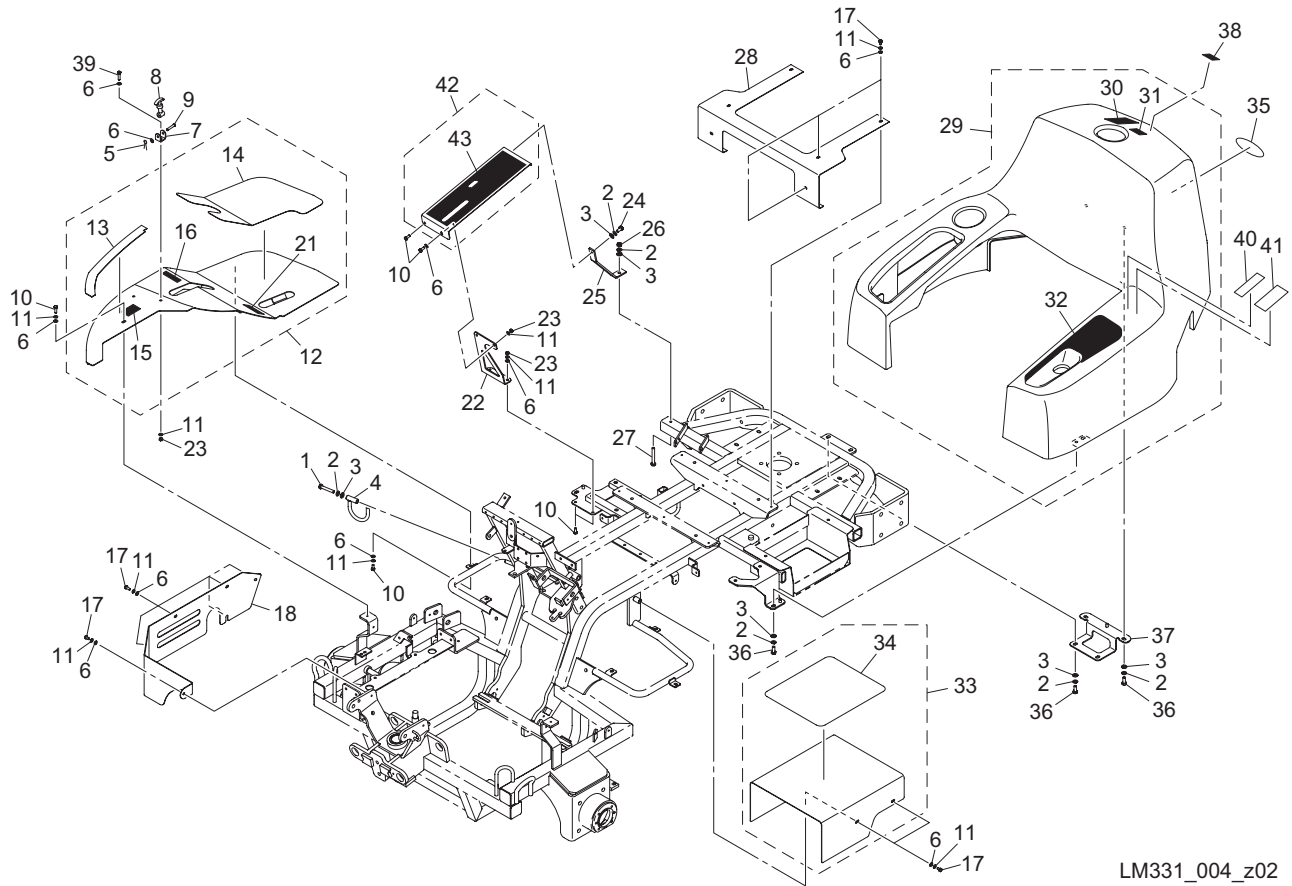


LM331_003_z01

| Cat No. | Code No. | Part name | Qty | Remark | SN of application |
|---------|---------------|----------------------------|-----|----------------|-------------------|
| 3-31 | LM331--0932AD | PLATE, SIDE FLOOR (LH) | 1 | | |
| 3-32 | K0000060102 | BOLT, M6-10 | 6 | | |
| 3-33 | K5073208202 | WASHER, SPHC 3.2-8-20 | 0-4 | for adjustment | |
| 3-34 | K4203001500 | DECAL, LEVER TILT STEERING | 1 | | |
| 3-35 | K4203001340 | DECAL, PARKING BRAKE | 1 | | |
| 3-36 | K4203001450 | DECAL, BRAKE | 1 | | |
| 3-37 | | | | | |
| 3-38 | K4205002090 | DECAL, CAUTION NOISE | 1 | | |
| 3a-38 | | | | | |
| | | | | | |
| | | | | | |
| | | | | | |
| | | | | | |

4.Cover section B

LM331

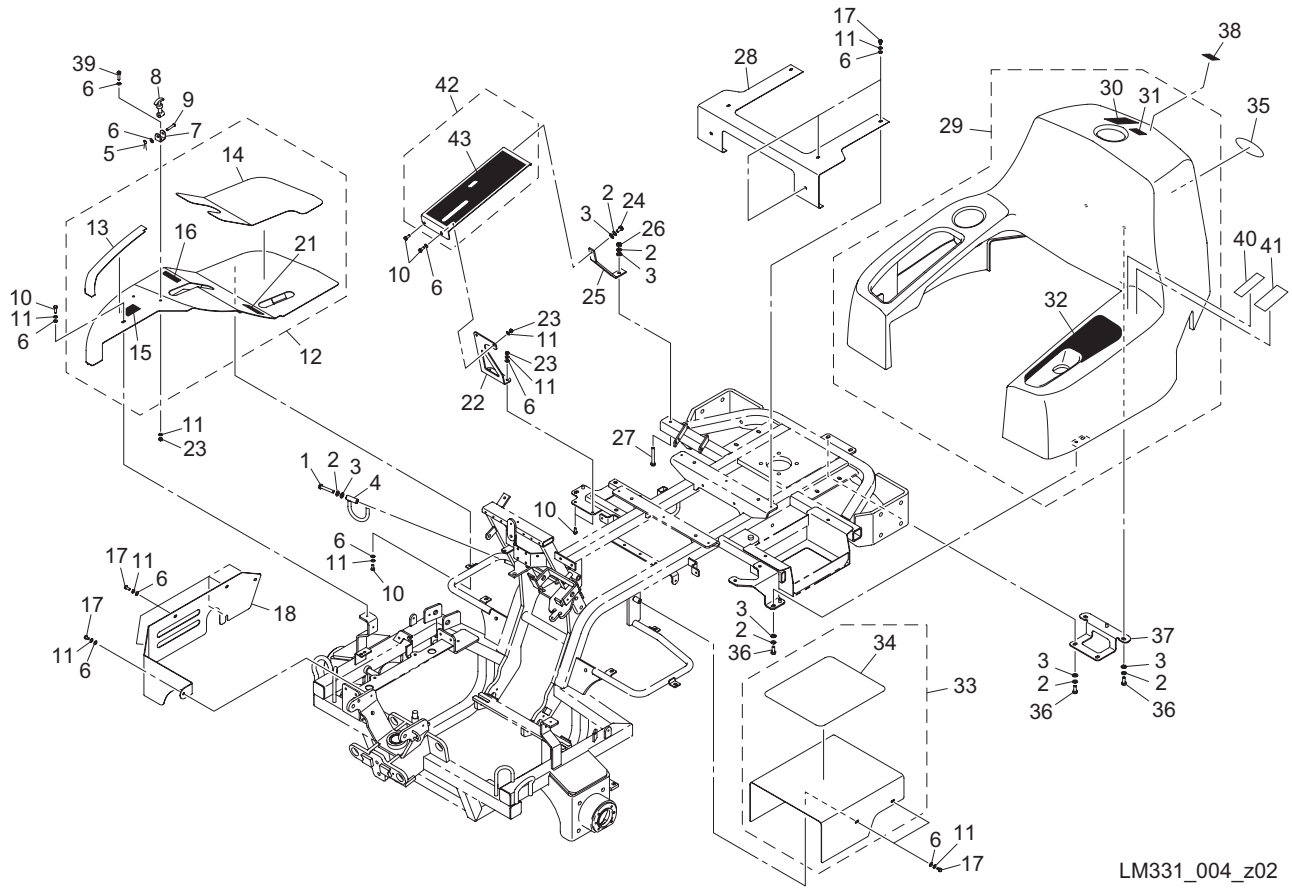


LM331_004_z02

| Cat No. | Code No. | Part name | Qty | Remark | SN of application |
|---------|---------------|--|-----|--------|-------------------|
| 4-1 | K0000080502 | BOLT, M8-50 | 1 | | |
| 4-2 | K0200080002 | WASHER, SPRING M8 | 7 | | |
| 4-3 | K5000080002 | WASHER, M8 | 7 | | |
| 4-4 | LM331--0213Z2 | GUIDE, HOSE | 1 | | |
| 4-5 | K0300016202 | PIN, COTTER M1.6-20 | 1 | | |
| 4-6 | K5000060002 | WASHER, M6 | 25 | | |
| 4-7 | K5200000102 | BRACKET, RUBBER HOOK | 1 | | |
| 4-8 | K1520000090 | HOOK, RUBBER SMALL | 1 | | |
| 4-9 | K6030060352 | PIN, FLAT HEAD M6-35 | 1 | | |
| 4-10 | K0000060152 | BOLT, M6-15 | 8 | | |
| 4-11 | K0200060002 | WASHER, SPRING M6 | 25 | | |
| 4-12 | LM331--0940A0 | FLOOR COMP, (RH) | 1 | | |
| 4-13 | LM331--0936Z0 | RECEIVER, RUBBER HOOD (RH) | 1 | | |
| 4-14 | LM331--0938Z0 | SHEET, PLASTIC ANTISLIP FOR FLOOR (RH) | 1 | | |
| 4-15 | K4205001930 | DECAL, CAUTION GETTING CAUGHT HANDS/FEET | 1 | | |
| 4-16 | K4203001440 | DECAL, BACKWARD | 1 | | |
| 4-17 | K0000060102 | BOLT, M6-10 | 16 | | |
| 4-18 | LM331--0934AD | PLATE, SIDE FLOOR (RH) | 1 | | |
| 4-19 | | | | | |
| 4-20 | | | | | |
| 4-21 | K4203001430 | DECAL, FORWARD | 1 | | |
| 4-22 | LM331--0944ZD | STAY, OPERATION PANEL (FRONT) | 1 | | |
| 4-23 | K0100060002 | NUT, M6 | 5 | | |
| 4-24 | K0000080152 | BOLT, M8-15 | 1 | | |
| 4-25 | LM331--0945ZD | STAY, OPERATION PANEL (REAR) | 1 | | |
| 4-26 | K0100080002 | NUT, M8 | 1 | | |
| 4-27 | K0000080602 | BOLT, M8-60 | 1 | | |
| 4-28 | LM331--0952AD | PANEL, UNDER SEAT | 1 | | |
| 4-29 | LM331--0986Z0 | COVER, REAR W/DECAL | 1 | | |
| 4-30 | K4209001000 | DECAL, DIESEL FUEL REFUELING HOLE | 1 | | |

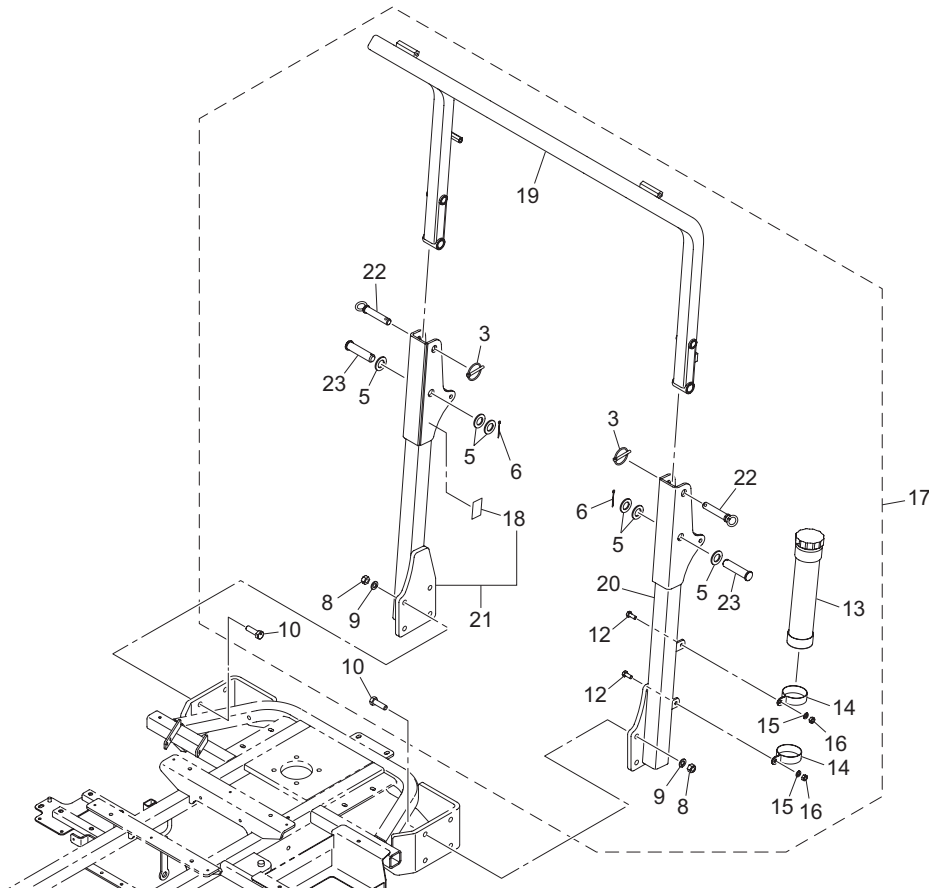
4.Cover section B

LM331



LM331_004_z02

| Cat No. | Code No. | Part name | Qty | Remark | SN of application |
|---------|---------------|--|-----|--------|-------------------|
| 4-31 | K4205001940 | DECAL, DANGER "NO FIRE" | 1 | | |
| 4-32 | LM331--0928Z0 | STICKER, PANEL (LH) | 1 | | |
| 4-33 | LM331--0954Z0 | PANEL COMP, CENTER FLOOR | 1 | | |
| 4-34 | LM331--0953Z0 | SHEET, PLASTIC ANTISLIP CENTER FLOOR | 1 | | |
| 4-35 | LM331--0987Z0 | STICKER, LM331 | 1 | | |
| 4-36 | K0000080202 | BOLT, M8-20 | 4 | | |
| 4-37 | LM331--0985ZD | BRACKET, REAR COVER | 1 | | |
| 4-38 | K4209001330 | DECAL, DIESEL FUEL INDICATION | 1 | | |
| 4-39 | K0000060202 | BOLT, M6-20 | 1 | | |
| 4-40 | K4205002200 | DECAL, WARNING SPARK ARRESTER | 1 | | |
| 4-41 | K4205002140 | LABEL, WARNING CA P65 FOR RIDING MOWER | 1 | | |
| 4-42 | LM331--0988Z0 | PANEL, OPERATION W/DECAL | 1 | | |
| 4-43 | LM331--0990Z0 | STICKER, OPERATION PANEL | 1 | | |
| | | | | | |
| | | | | | |
| | | | | | |
| | | | | | |

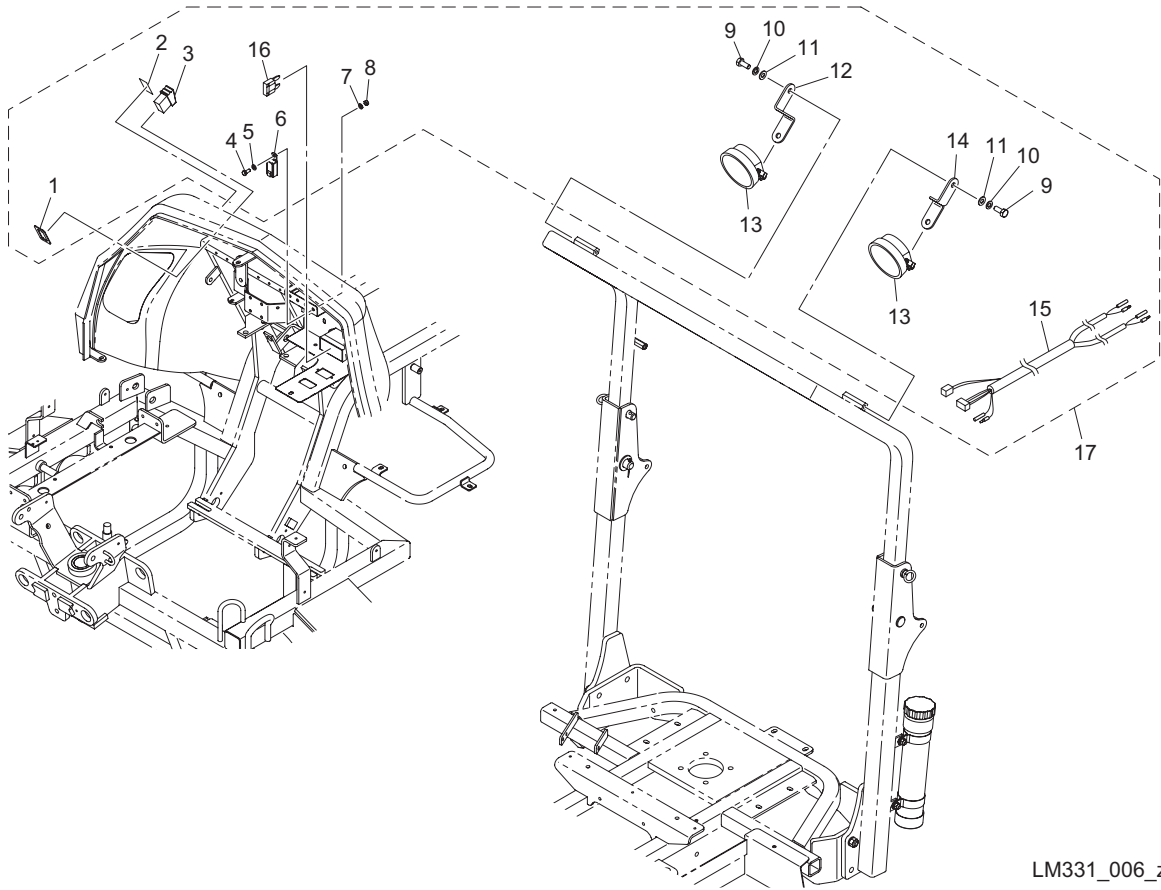


LM331_005_z03

| Cat No. | Code No. | Part name | Qty | Remark | SN of application |
|---------|---------------|--------------------------------|-----|--------|-------------------|
| 5-1 | | | | | |
| 5-2 | | | | | |
| 5-3 | K6061060002 | PIN, CLIP M6 | 2 | | |
| 5-4 | | | | | |
| 5-5 | K5000200002 | WASHER, M20 | 6 | | |
| 5-6 | K0300032402 | PIN, COTTER M3.2-40 | 2 | | |
| 5-7 | | | | | |
| 5-8 | K0100120002 | NUT, M12 | 8 | | |
| 5-9 | K0200120002 | WASHER, SPRING M12 | 8 | | |
| 5-10 | K0010120402 | BOLT, HT M12-40 | 8 | | |
| 5-11 | | | | | |
| 5-12 | K0000080202 | BOLT, M8-20 | 2 | | |
| 5-13 | K5920000130 | CASE, FOR MANUALS | 1 | | |
| 5-14 | LM331--1004ZD | BRACKET, OPERATION MANUAL CASE | 2 | | |
| 5-15 | K0200080002 | WASHER, SPRING M8 | 2 | | |
| 5-16 | K0100080002 | NUT, M8 | 2 | | |
| 5-17 | LM331--1005A0 | ROPS KIT | 1 | | |
| 5-18 | K4205001710 | DECAL, CAUTION ROPS | 1 | | |
| 5-19 | LM331--1001AD | FRAME, ROPS | 1 | | |
| 5-20 | LM331--1006Z0 | LEG, ROPS W/MARK (LH) | 1 | | |
| 5-21 | LM331--1007Z0 | LEG, ROPS W/MARK (RH) | 1 | | |
| 5-22 | LM315GC7005B2 | PIN, LOCKING | 2 | | |
| 5-23 | K6033000082 | PIN, FLAT HEAD HT 20-82 | 2 | | |
| | | | | | |

6.Head light section

LM331

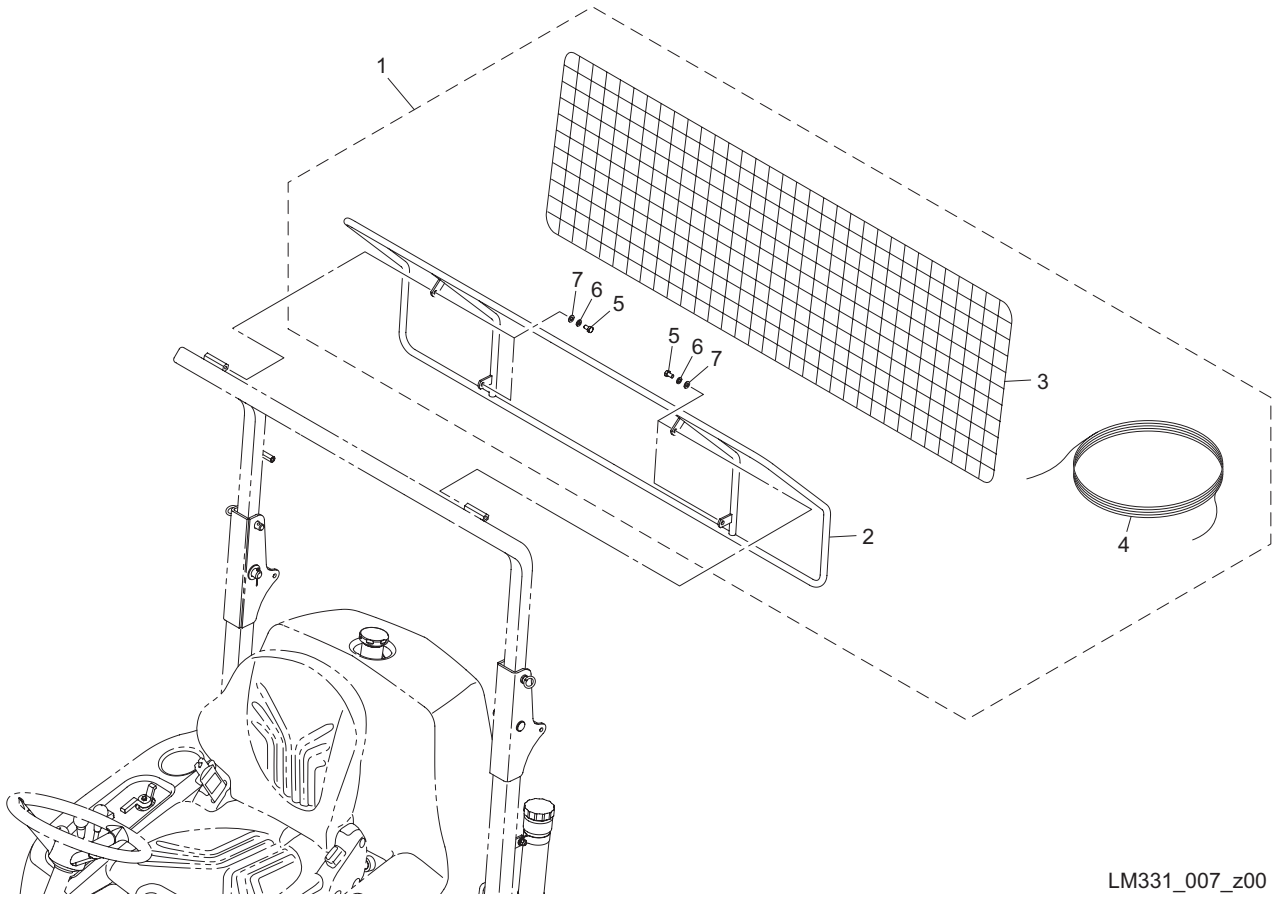


LM331_006_z00

| Cat No. | Code No. | Part name | Qty | Remark | SN of application |
|---------|---------------|---------------------------|-----|--------|-------------------|
| 6-1 | LM331--0557Z2 | SPACER, FOR FIXING SWITCH | 1 | | |
| 6-2 | LM331--1105Z0 | DECAL, LIGHT SWITCH | 1 | | |
| 6-3 | K3661000050 | SWITCH, ROCKER | 1 | | |
| 6-4 | K0000060152 | BOLT, M6-15 | 1 | | |
| 6-5 | K5000060002 | WASHER, M6 | 1 | | |
| 6-6 | K3681000060 | RELAY, CA1aF-12V-N-5 | 1 | | |
| 6-7 | K0200060002 | WASHER, SPRING M6 | 1 | | |
| 6-8 | K0100060002 | NUT, M6 | 1 | | |
| 6-9 | K0000100252 | BOLT, M10-25 | 2 | | |
| 6-10 | K0200100002 | WASHER, SPRING M10 | 2 | | |
| 6-11 | K5000100002 | WASHER, M10 | 2 | | |
| 6-12 | LM331--1104ZD | BRACKET, LIGHT (RH) | 1 | | |
| 6-13 | K3640000090 | LAMP, LED WORKING NS-2556 | 2 | | |
| 6-14 | LM331--1103ZD | BRACKET, LIGHT (LH) | 1 | | |
| 6-15 | LM331--1102Z0 | HARNESS, LIGHT | 1 | | |
| 6-16 | K3631000080 | FUSE, MINI BLADE 10A | 1 | | |
| 6-17 | LM331--1101Z0 | KIT, HEAD LIGHT (OPTION) | 1 | | |
| | | | | | |
| | | | | | |

7. Ball proof net section

LM331

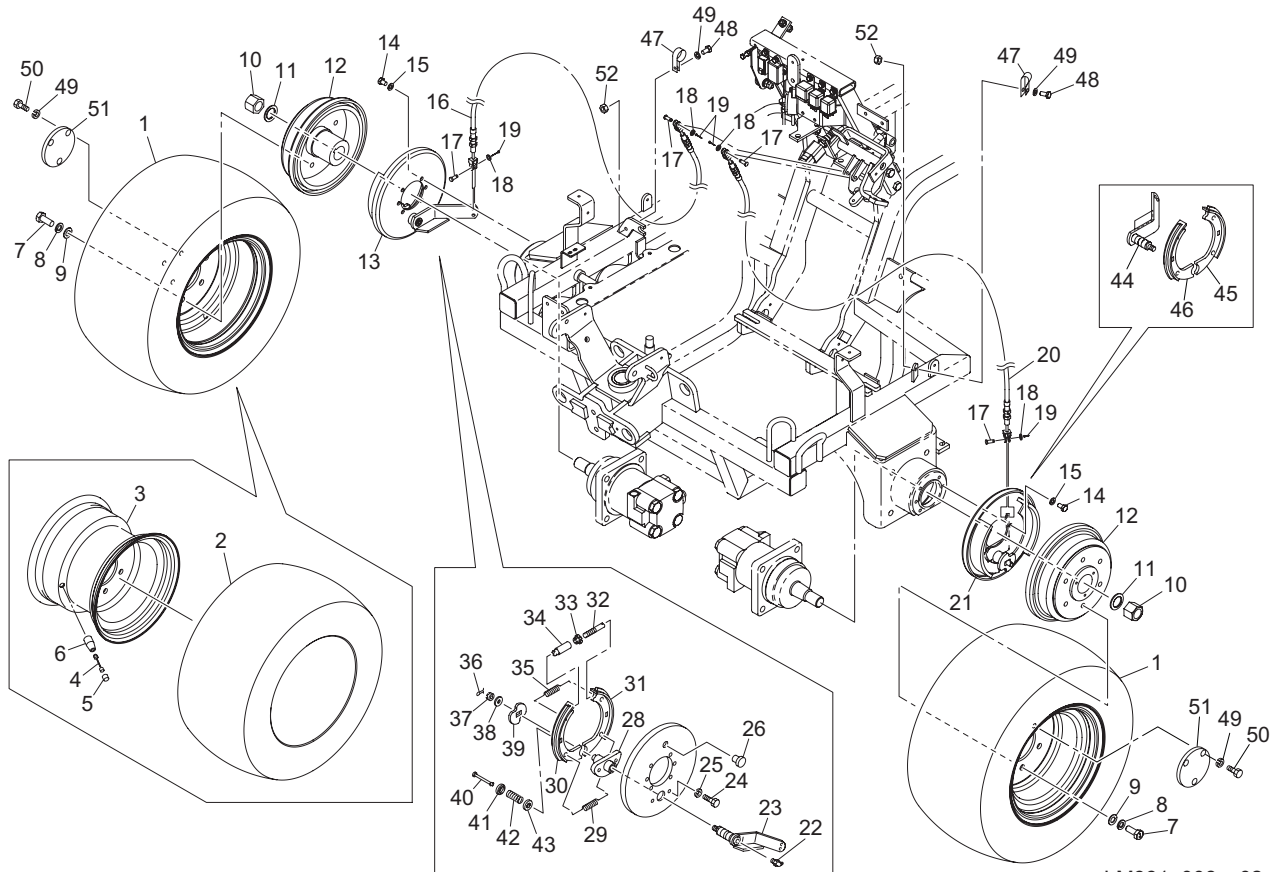


LM331_007_z00

| Cat No. | Code No. | Part name | Qty | Remark | SN of application |
|---------|---------------|----------------------------|-----|--------|-------------------|
| 7-1 | LM315GC7101A0 | NET ASSY, BALL PROOF | 1 | | |
| 7-2 | LM315GC7102ZD | FRAME, FOR BALL PROOF NET | 1 | | |
| 7-3 | K4130000020 | NET, PROTECTION 550*1375 S | 1 | | |
| 7-4 | K4140000020 | ROPE, 2-6700S | 2 | | |
| 7-5 | K0000080152 | BOLT, M8-15 | 4 | | |
| 7-6 | K0200080002 | WASHER, SPRING M8 | 4 | | |
| 7-7 | K5000080002 | WASHER, M8 | 4 | | |
| | | | | | |
| | | | | | |
| | | | | | |
| | | | | | |
| | | | | | |
| | | | | | |

8. Front wheel & Brake section A

LM331

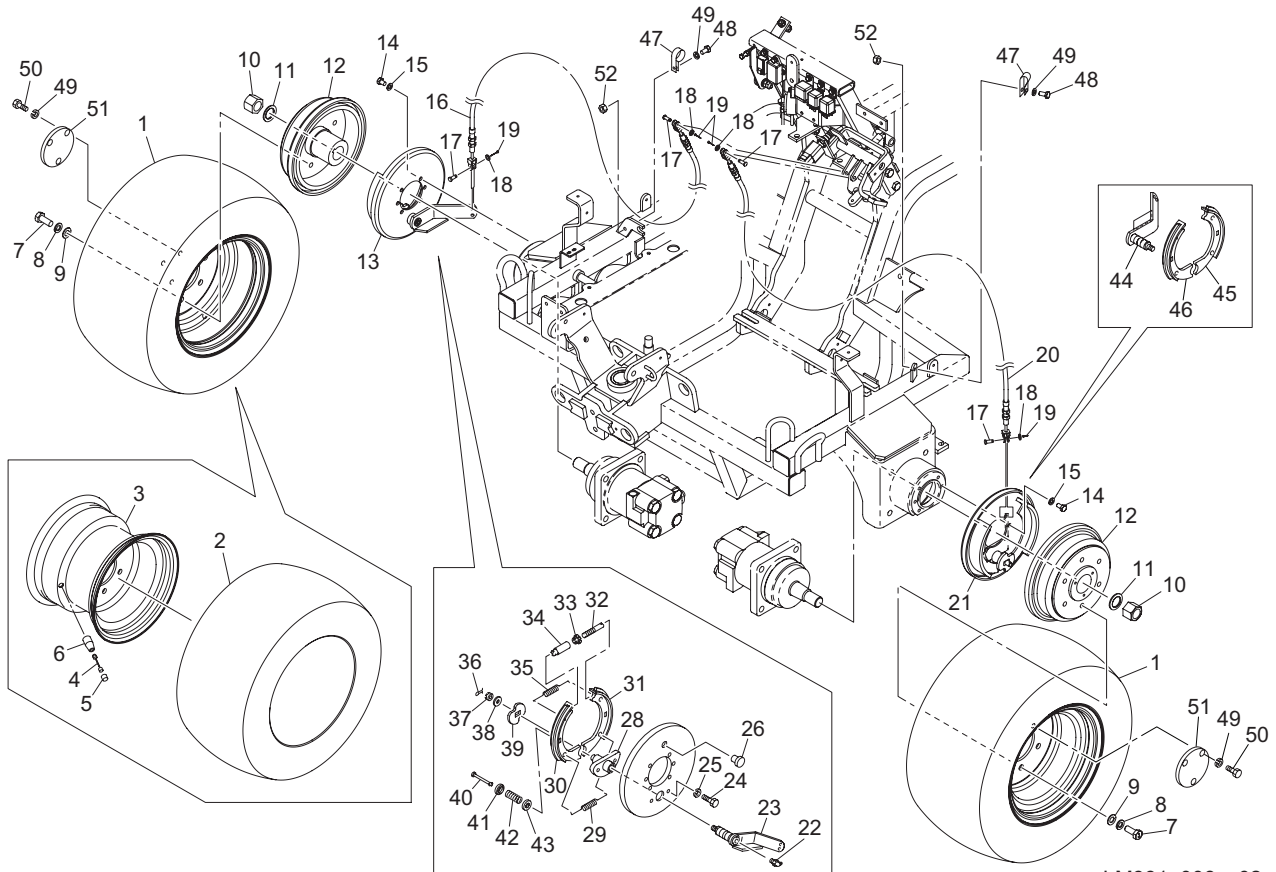


LM331_008_z02

| Cat No. | Code No. | Part name | Qty | Remark | SN of application |
|---------|--------------|----------------------------|-----|--------|-------------------|
| 8-1 | K2040000970 | TIRE ASSY, 20*12.00-10 | 2 | | |
| 8-2 | K2041000390 | TIRE, 20*12.00-10RS | 2 | | |
| 8-3 | K209000092L | WHEEL, 10*800 | 2 | | |
| 8-4 | K2092000020 | CORE, VALVE NO.9000 | 2 | | |
| 8-5 | K2093000010 | CAP, VALVE | 2 | | |
| 8-6 | K2097000010 | VALVE, RIM TR413 | 2 | | |
| 8-7 | K0011120302 | BOLT, HT P1.5 M12-30 | 12 | | |
| 8-8 | K0200120002 | WASHER, SPRING M12 | 12 | | |
| 8-9 | K5000120002 | WASHER, M12 | 12 | | |
| 8-10 | K0160000492 | NUT, SPECIAL P1.5 M24 | 2 | | |
| 8-11 | K0214240001 | WASHER, DISK SPRING 2L M24 | 2 | | |
| 8-12 | K6909000232 | MOUNT, WHEEL | 2 | | |
| 8-13 | K1720000210 | BRAKE ASSY, W/LEVER (RH) | 1 | | |
| 8-14 | K0000080152 | BOLT, M8-15 | 12 | | |
| 8-15 | K0200080002 | WASHER, SPRING M8 | 12 | | |
| 8-16 | K1120183000 | WIRE, BRAKE 1830 | 1 | | |
| 8-17 | K6031060172 | PIN, FLAT-HEAD HT M6-17 | 4 | | |
| 8-18 | K5000060002 | WASHER, M6 | 6 | | |
| 8-19 | K0300020202 | PIN, COTTER M2-20 | 4 | | |
| 8-20 | K1120108000 | WIRE, BRAKE 1080 | 1 | | |
| 8-21 | K1720000200 | BRAKE ASSY, W/LEVER (LH) | 1 | | |
| 8-22 | P631-0675-00 | GREASE NIPPLE | 2 | | |
| 8-23 | K7322000068 | LEVER, BRAKE (RH) | 1 | | |
| 8-24 | P501-1016-10 | BOLT | 4 | | |
| 8-25 | P573-1025-20 | WASHER, SPRING | 4 | | |
| 8-26 | P319-7122-00 | PLUG | 2 | | |
| 8-27 | | | | | |
| 8-28 | P712-8003-00 | BRACKET | 2 | | |
| 8-29 | P153-8004-00 | SPRING | 2 | | |
| 8-30 | P741-8005-00 | SHOE, BRAKE | 1 | | |

8. Front wheel & Brake section A

LM331

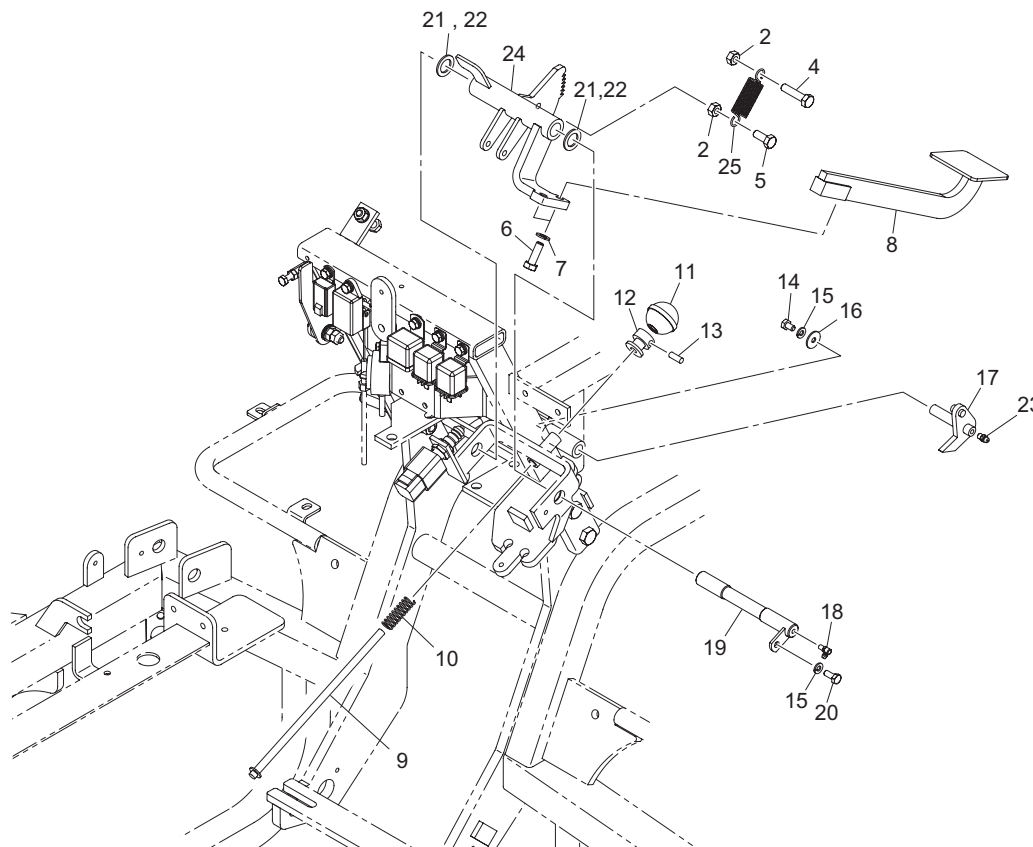


LM331_008_z02

| Cat No. | Code No. | Part name | Qty | Remark | SN of application |
|---------|--------------|------------------------|-----|--------|-------------------|
| 8-31 | P741-8007-00 | SHOE, BRAKE | 1 | | |
| 8-32 | P722-7341-00 | BOLT, ADJUSTING | 2 | | |
| 8-33 | P722-7342-00 | GEAR, ADJUSTING | 2 | | |
| 8-34 | P723-7329-00 | SLEEVE | 2 | | |
| 8-35 | P153-8002-00 | SPRING | 2 | | |
| 8-36 | P601-2525-00 | PIN, COTTER | 2 | | |
| 8-37 | P535-1008-00 | NUT, CASTLE | 2 | | |
| 8-38 | P801-7308-00 | WASHER | 2 | | |
| 8-39 | P731-7335-00 | CAM | 2 | | |
| 8-40 | P713-7044-00 | PIN, GUIDE | 4 | | |
| 8-41 | P801-7012-00 | SEAT, SPRING A | 4 | | |
| 8-42 | P154-7033-00 | SPRING | 4 | | |
| 8-43 | P801-7023-00 | SEAT, SPRING B | 4 | | |
| 8-44 | K7322000058 | LEVER, BRAKE (LH) | 1 | | |
| 8-45 | P741-8006-01 | SHOE, BRAKE | 1 | | |
| 8-46 | P741-8008-00 | SHOE, BRAKE | 1 | | |
| 8-47 | K4270010060 | CLIP, HARNESS 10-M6 | 2 | | |
| 8-48 | K0000060152 | BOLT, M6-15 | 2 | | |
| 8-49 | K0200060002 | WASHER, SPRING M6 | 8 | | |
| 8-50 | K0000060102 | BOLT, M6-10 | 6 | | |
| 8-51 | K517000012D | PLATE, SPCC BOLT COVER | 2 | | |
| 8-52 | K0100060002 | NUT, M6 | 2 | | |

9.Front wheel & Brake section B

LM331

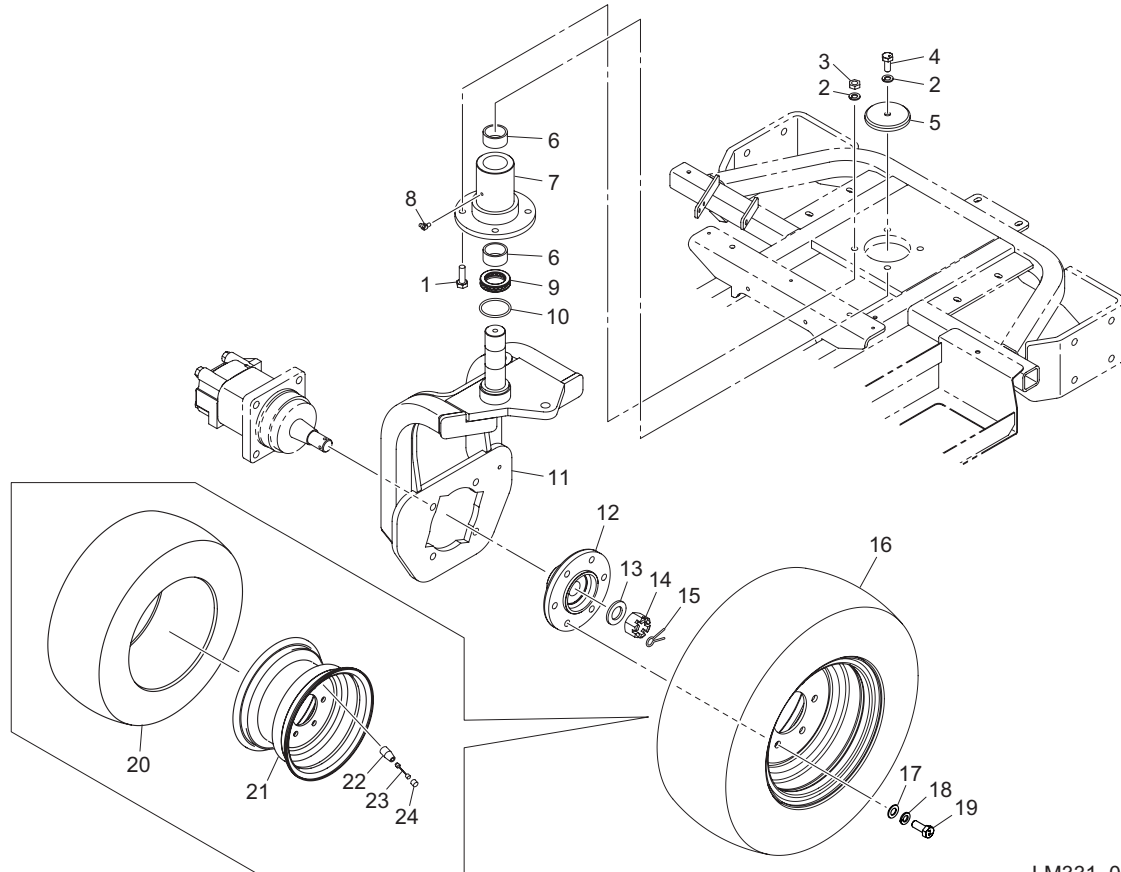


LM331_009_z04

| Cat No. | Code No. | Part name | Qty | Remark | SN of application |
|---------|---------------|----------------------------------|-----|----------------|-------------------|
| 9-1 | | | | | |
| 9-2 | K0100080002 | NUT, M8 | 2 | | |
| 9-3 | | | | | |
| 9-4 | K0000080402 | BOLT, M8-40 | 1 | | |
| 9-5 | K0000080202 | BOLT, M8-20 | 1 | | |
| 9-6 | K0010080252 | BOLT, HT M8-25 | 2 | | |
| 9-7 | K0200080002 | WASHER, SPRING M8 | 2 | | |
| 9-8 | LM331--0306ZD | PEDAL, BRAKE | 1 | | |
| 9-9 | LM331--0304Z2 | ROD, RELEASING BRAKE | 1 | | |
| 9-10 | K1000000238 | SPRING, COMPRESSION M1.4-13.3-42 | 1 | | |
| 9-11 | K1301000050 | GRIP, PLASTIC LEVER | 1 | | |
| 9-12 | LM331--0305Z2 | COLLAR, SHIFTER | 1 | | |
| 9-13 | K0028060100 | SETSCREW, SUS M6-10 | 1 | | |
| 9-14 | K0000060102 | BOLT, M6-10 | 1 | | |
| 9-15 | K0200060002 | WASHER, SPRING M6 | 2 | | |
| 9-16 | K5011606202 | WASHER, SPCC 1.6-6-20 | 1 | | |
| 9-17 | LM331--0303Z2 | PAWL, RATCHET | 1 | | |
| 9-18 | K1440000020 | GREASE NIPPLE, 90 TYPE C | 1 | | |
| 9-19 | LM331--0302Z2 | SHAFT, BRAKE PEDAL | 1 | | |
| 9-20 | K0000060152 | BOLT, M6-15 | 1 | | |
| 9-21 | K5011016222 | WASHER, SPCC 1-16-22 | 0-2 | for adjustment | |
| 9-22 | K5010816222 | WASHER, SPCC 0.8-16-22 | 0-2 | for adjustment | |
| 9-23 | K1440000010 | GREASE NIPPLE, STRAIGHT TYPE A | 1 | | |
| 9-24 | LM331--0321ZD | FULCRUM, BRAKE PEDAL | 1 | | |
| 9-25 | K1020000248 | SPRING, W/U HOOK 2.3-1871.7 | 1 | | |
| 9-26 | | | | | |

10.Rear wheel section

LM331

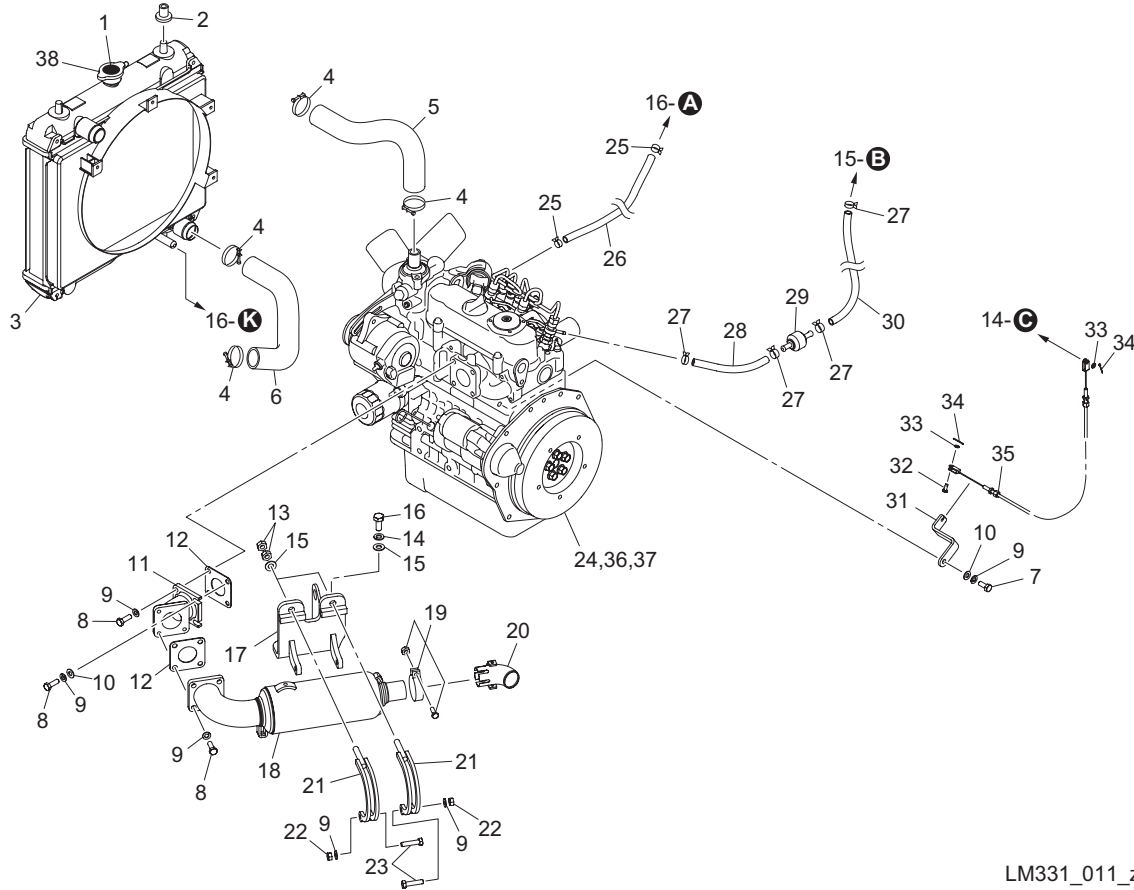


LM331_010_z00

| Cat No. | Code No. | Part name | Qty | Remark | SN of application |
|---------|---------------|----------------------------|-----|--------|-------------------|
| 10-1 | K0010100402 | BOLT, HT M10-40 | 4 | | |
| 10-2 | K0200100002 | WASHER, SPRING M10 | 5 | | |
| 10-3 | K0100100002 | NUT, M10 | 4 | | |
| 10-4 | K0010100252 | BOLT, HT M10-25 | 1 | | |
| 10-5 | LM331--0403ZD | CAP, STEERING SHAFT | 1 | | |
| 10-6 | K6000000420 | BUSH, 35-42-30 | 2 | | |
| 10-7 | LM331--0404ZD | HOUSING, STEERING SHAFT | 1 | | |
| 10-8 | K1440000030 | GREASE NIPPLE, 67.5 TYPE B | 1 | | |
| 10-9 | K0640511070 | BEARING, BALL THRUST 51107 | 1 | | |
| 10-10 | K0880048000 | O-RING, P48 | 1 | | |
| 10-11 | LM331--0401AD | FORK, REAR WHEEL | 1 | | |
| 10-12 | GM1500A0240AD | MOUNT, FRONT WHEEL 90 | 1 | | |
| 10-13 | K5000240002 | WASHER, M24 | 1 | | |
| 10-14 | K0138240002 | NUT, HIGH SLOTTED P1.5 M24 | 1 | | |
| 10-15 | K0300050452 | PIN, COTTER M5-45 | 1 | | |
| 10-16 | K2040000890 | TIRE ASSY, 20*8.00-10 | 1 | | |
| 10-17 | K5000120002 | WASHER, M12 | 6 | | |
| 10-18 | K0200120002 | WASHER, SPRING M12 | 6 | | |
| 10-19 | K0011120302 | BOLT, HT P1.5 M12-30 | 6 | | |
| 10-20 | K2041000520 | TIRE, 20*8.00-10 | 1 | | |
| 10-21 | K209000093L | WHEEL, 10*60 | 1 | | |
| 10-22 | K2097000010 | VALVE, RIM TR413 | 1 | | |
| 10-23 | K2092000020 | CORE, VALVE NO.9000 | 1 | | |
| 10-24 | K2093000010 | CAP, VALVE | 1 | | |
| | | | | | |

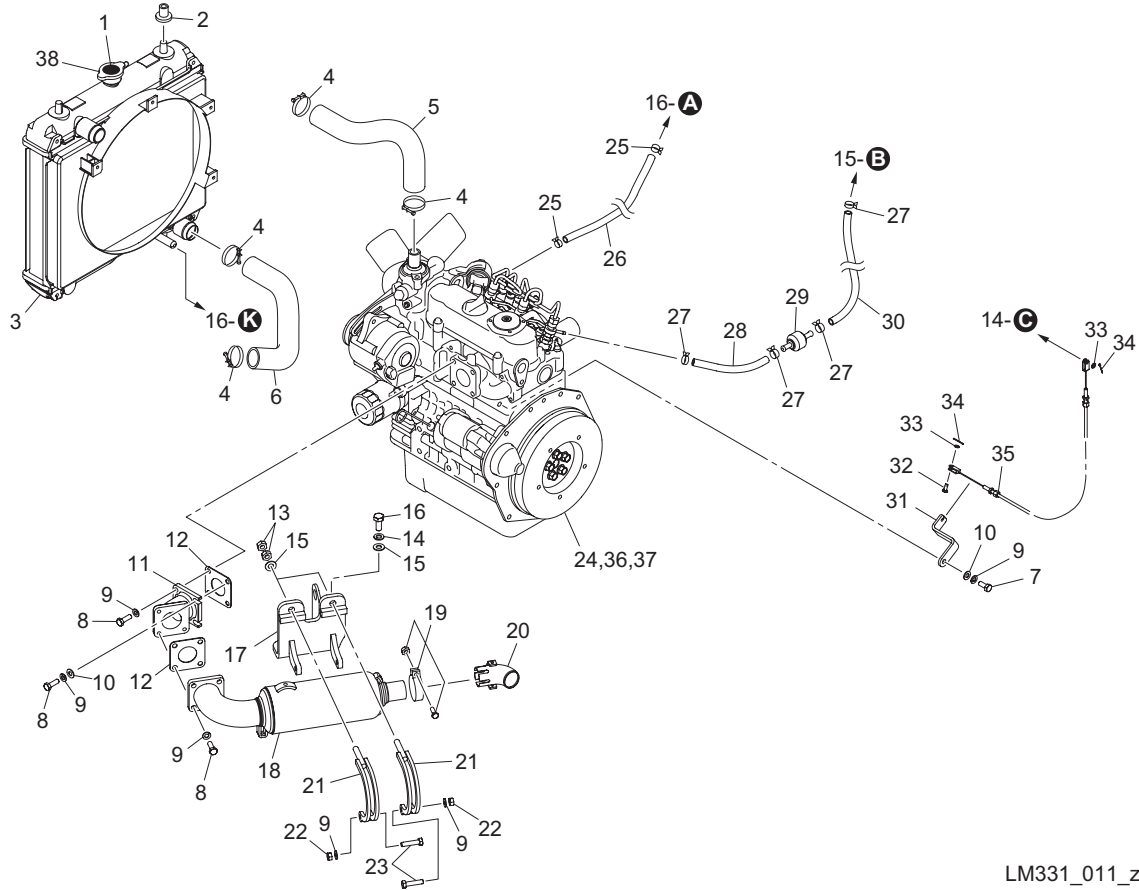
11.Engine & Electrical section A

LM331



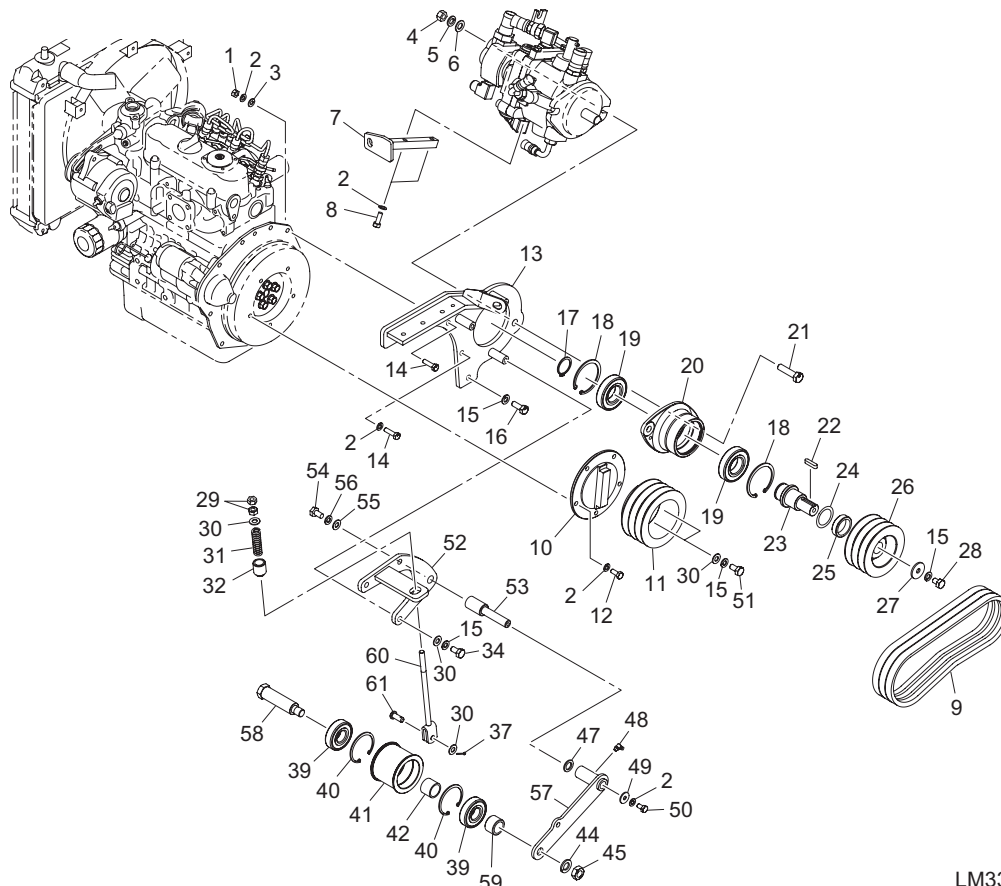
LM331_011_z01

| Cat No. | Code No. | Part name | Qty | Remark | SN of application |
|---------|----------------|---------------------------------|-----|--------|-------------------|
| 11-1 | K4205001970 | DECAL, CAUTION SPOUTING COOLANT | 1 | | |
| 11-2 | PF34070-1603-0 | RUBBER (RADIATOR MOUNT) | 4 | | |
| 11-3 | PF1G952-7206-0 | RADIATOR ASSY | 1 | | |
| 11-4 | K4260000190 | CLAMP, HOSE JUBILEE BAND 1 | 4 | | |
| 11-5 | PF1G952-7294-0 | HOSE, WATER 4 | 1 | | |
| 11-6 | PF1G952-7285-0 | HOSE, WATER 1 | 1 | | |
| 11-7 | K0000080202 | BOLT, M8-20 | 1 | | |
| 11-8 | K0000080252 | BOLT, M8-25 | 8 | | |
| 11-9 | K0200080002 | WASHER, SPRING M8 | 11 | | |
| 11-10 | K5000080002 | WASHER, M8 | 3 | | |
| 11-11 | LM331--0513ZU | FLANGE, MUFFLER | 1 | | |
| 11-12 | PF15263-1237-0 | PACKING, MUFFLER NA | 2 | | |
| 11-13 | K0100100002 | NUT, M10 | 4 | | |
| 11-14 | K0200100002 | WASHER, SPRING M10 | 3 | | |
| 11-15 | K5000100002 | WASHER, M10 | 5 | | |
| 11-16 | K0000100252 | BOLT, M10-25 | 3 | | |
| 11-17 | LM331--0511ZU | SUPPORT, MUFFLER | 1 | | |
| 11-18 | PF15262-1211-0 | MUFFLER | 1 | | |
| 11-19 | PF14431-1243-0 | BAND, PIPE | 1 | | |
| 11-20 | LM331--0514ZU | PIPE, MUFFLER | 1 | | |
| 11-21 | LM331--0512ZU | BAND, MUFFLER | 2 | | |
| 11-22 | K0100080002 | NUT, M8 | 2 | | |
| 11-23 | K0000080352 | BOLT, M8-35 | 2 | | |
| 11-24 | K2691000420 | ENGINE, KUBOTA D902-E4B-LMKY-1 | 1 | | |
| 11-25 | K4260000172 | CLAMP, HOSE KS-11-19 | 2 | | |
| 11-26 | K3180014100 | HOSE, FUEL 8*1B1410 | 1 | | |
| 11-27 | K4260000270 | CLIP, HOSE TS095 | 4 | | |
| 11-28 | K3182001500 | HOSE, FUEL 4*1B150 | 1 | | |
| 11-29 | PF1C010-4246-0 | VALVE, CHECK FUEL | 1 | | |
| 11-30 | K3182018000 | HOSE, FUEL 4*1B1800 | 1 | | |



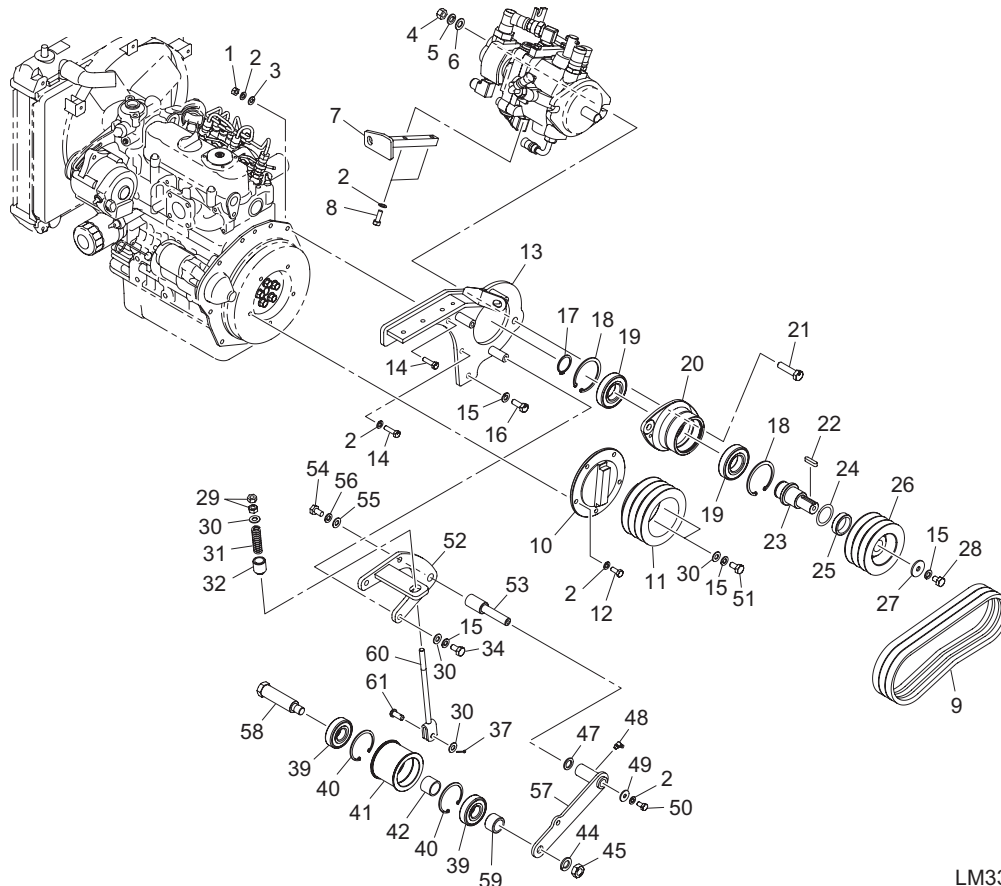
LM331_011_z01

| Cat No. | Code No. | Part name | Qty | Remark | SN of application |
|---------|----------------|------------------------|-----|--------|-------------------|
| 11-31 | LM331--0501Z2 | BRACKET, THROTTLE WIRE | 1 | | |
| 11-32 | K6030050122 | PIN, FLAT HEAD M5-12 | 1 | | |
| 11-33 | K5000050002 | WASHER, M5 | 2 | | |
| 11-34 | K0300016202 | PIN, COTTER M1.6-20 | 2 | | |
| 11-35 | K1110097500 | WIRE, THROTTLE 975 | 1 | | |
| 11-36 | PF15881-9701-0 | BELT, V 34.5 | 1 | | |
| 11-37 | PF1J090-3243-0 | FILTER, OIL CARTRIDGE | 1 | | |
| 11-38 | PF17214-7202-0 | CAP, ASSY (RADIATOR) | 1 | | |
| | | | | | |
| | | | | | |
| | | | | | |
| | | | | | |
| | | | | | |



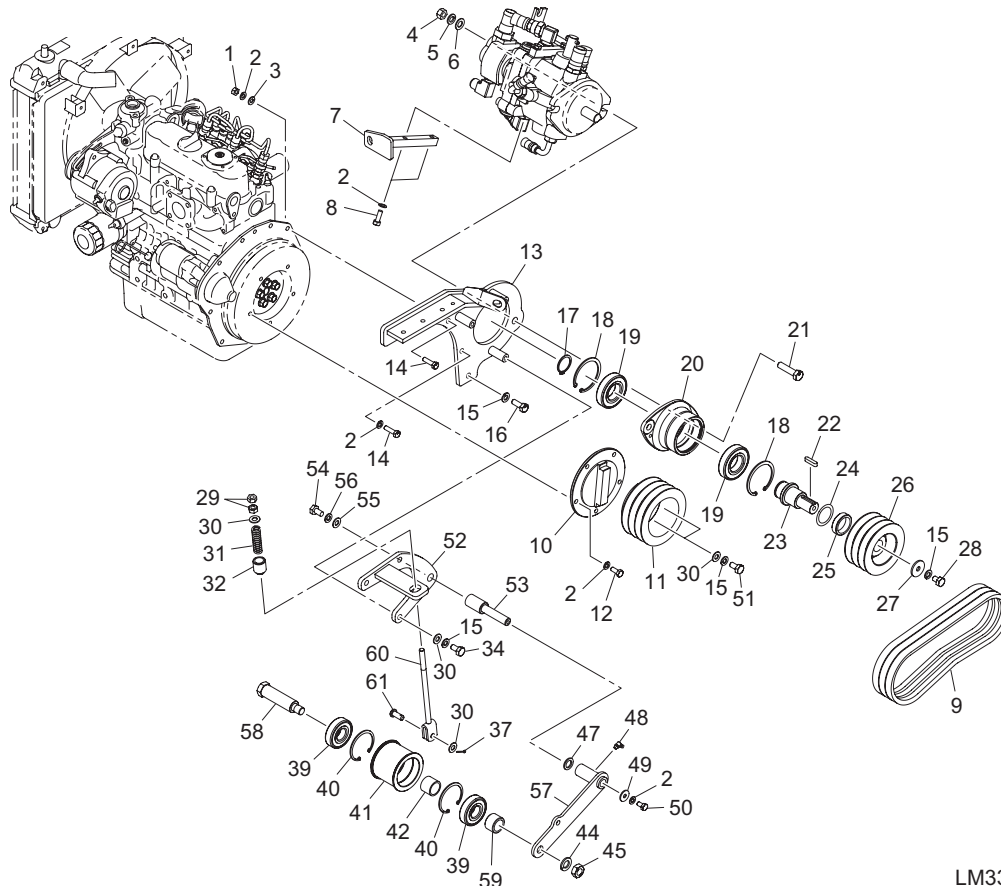
LM331_012_z02

| Cat No. | Code No. | Part name | Qty | Remark | SN of application |
|---------|---------------|--------------------------------|-----|----------------|-------------------|
| 12-1 | K0100080002 | NUT, M8 | 1 | | |
| 12-2 | K0200080002 | WASHER, SPRING M8 | 12 | | |
| 12-3 | K5000080002 | WASHER, M8 | 1 | | |
| 12-4 | K0100120002 | NUT, M12 | 2 | | |
| 12-5 | K0200120002 | WASHER, SPRING M12 | 2 | | |
| 12-6 | K5000120002 | WASHER, M12 | 2 | | |
| 12-7 | LM331--0506Z2 | STAY, PUMP | 1 | | |
| 12-8 | K0000080252 | BOLT, M8-25 | 2 | | |
| 12-9 | K2374230310 | BELT, COGGED H-PX SB31 (3 PCS) | 1 | set of 3pcs | |
| 12-10 | LM331--0561Z2 | FLANGE, EG PULLEY | 1 | | |
| 12-11 | LM331--0568Z2 | PULLEY, ENGINE 126-3 | 1 | | |
| 12-12 | K0010080202 | BOLT, HT M8-20 | 5 | | |
| 12-13 | LM331--0559Z2 | BRACKET, PUMP | 1 | | |
| 12-14 | K0010080302 | BOLT, HT M8-30 | 4 | | |
| 12-15 | K0200100002 | WASHER, SPRING M10 | 7 | | |
| 12-16 | K0000100302 | BOLT, M10-30 | 1 | | |
| 12-17 | K0401035001 | RING, RETAINING S M35 | 1 | | |
| 12-18 | K0402072001 | RING, RETAINING R M72 | 2 | | |
| 12-19 | K0608062070 | BEARING, BALL SEAL 2RS 6207 | 2 | | |
| 12-20 | LM331--0509Z2 | HOUSING, PUMP SHAFT | 1 | | |
| 12-21 | K0010120502 | BOLT, HT M12-50 | 2 | | |
| 12-22 | K0500707310 | KEY, BOTH ROUND M7-731.5 | 1 | | |
| 12-23 | LM331--0510Z0 | SHAFT, DRIVING PUMP | 1 | | |
| 12-24 | K5010635452 | WASHER, SPCC 0.6-35-45 | 0-3 | for adjustment | |
| 12-25 | K6212000972 | COLLAR, STKM M35-45.1-12 | 1 | | |
| 12-26 | LM331--0569AD | PULLEY, PUMP 113-3 | 1 | | |
| 12-27 | K5073210352 | WASHER, SPHC 3.2-10-35 | 1 | | |
| 12-28 | K0000100202 | BOLT, M10-20 | 1 | | |
| 12-29 | K0100100002 | NUT, M10 | 2 | | |
| 12-30 | K5000100002 | WASHER, M10 | 5 | | |



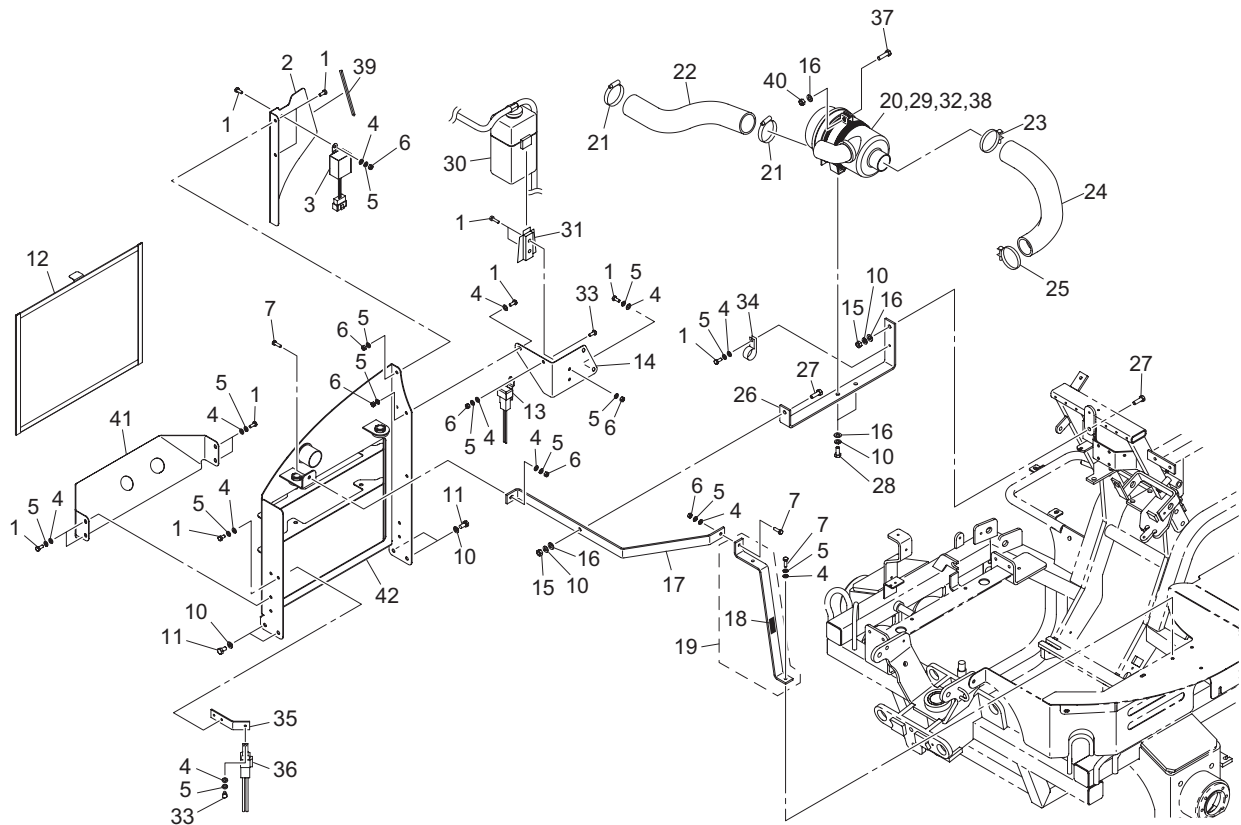
LM331_012_z02

| Cat No. | Code No. | Part name | Qty | Remark | SN of application |
|---------|---------------|----------------------------------|-----|--------|-------------------|
| 12-31 | K100000978 | SPRING, COMPRESSION M3.5-17.5-60 | 1 | | |
| 12-32 | K6204000812 | GUIDE, SPRING | 1 | | |
| 12-33 | | | | | |
| 12-34 | K0000100252 | BOLT, M10-25 | 2 | | |
| 12-35 | | | | | |
| 12-36 | | | | | |
| 12-37 | K0300025202 | PIN, COTTER M2.5-20 | 1 | | |
| 12-38 | | | | | |
| 12-39 | K0612063050 | BEARING, BALL SEAL 2RD 6305 | 2 | | |
| 12-40 | K0402062001 | RING, RETAINING R M62 | 2 | | |
| 12-41 | K2473590782 | PULLEY, TENSION 5978 | 1 | | |
| 12-42 | K6212000472 | COLLAR, STKM M26-32-25 | 1 | | |
| 12-43 | | | | | |
| 12-44 | K0200160002 | WASHER, SPRING M16 | 1 | | |
| 12-45 | K0105160002 | NUT, P1.5 M16-3 | 1 | | |
| 12-46 | | | | | |
| 12-47 | K5051016240 | WASHER, C5191P 1-16-24 | 1 | | |
| 12-48 | K1440000030 | GREASE NIPPLE, 67.5 TYPE B | 1 | | |
| 12-49 | K5012308242 | WASHER, SPCC 2.3-8-24 | 1 | | |
| 12-50 | K0000080152 | BOLT, M8-15 | 1 | | |
| 12-51 | K0010100252 | BOLT, HT M10-25 | 2 | | |
| 12-52 | LM331--0583Z2 | BRACKET, TENSION LEVER | 1 | | |
| 12-53 | LM331--0584Z2 | SHAFT, TENSION | 1 | | |
| 12-54 | K0000100202 | BOLT, M10-20 | 1 | | |
| 12-55 | K5073210352 | WASHER, SPHC 3.2-10-35 | 1 | | |
| 12-56 | K0200100002 | WASHER, SPRING M10 | 1 | | |
| 12-57 | LM331--0533Z2 | LEVER, TENSION | 1 | | |
| 12-58 | LM331--0534Z2 | PIN, TENSION | 1 | | |
| 12-59 | LM331--0535Z2 | COLLAR, STKM 25-34-19.5 | 1 | | |
| 12-60 | LM331--0536Z2 | ADJUSTER, LEVER 220 | 1 | | |



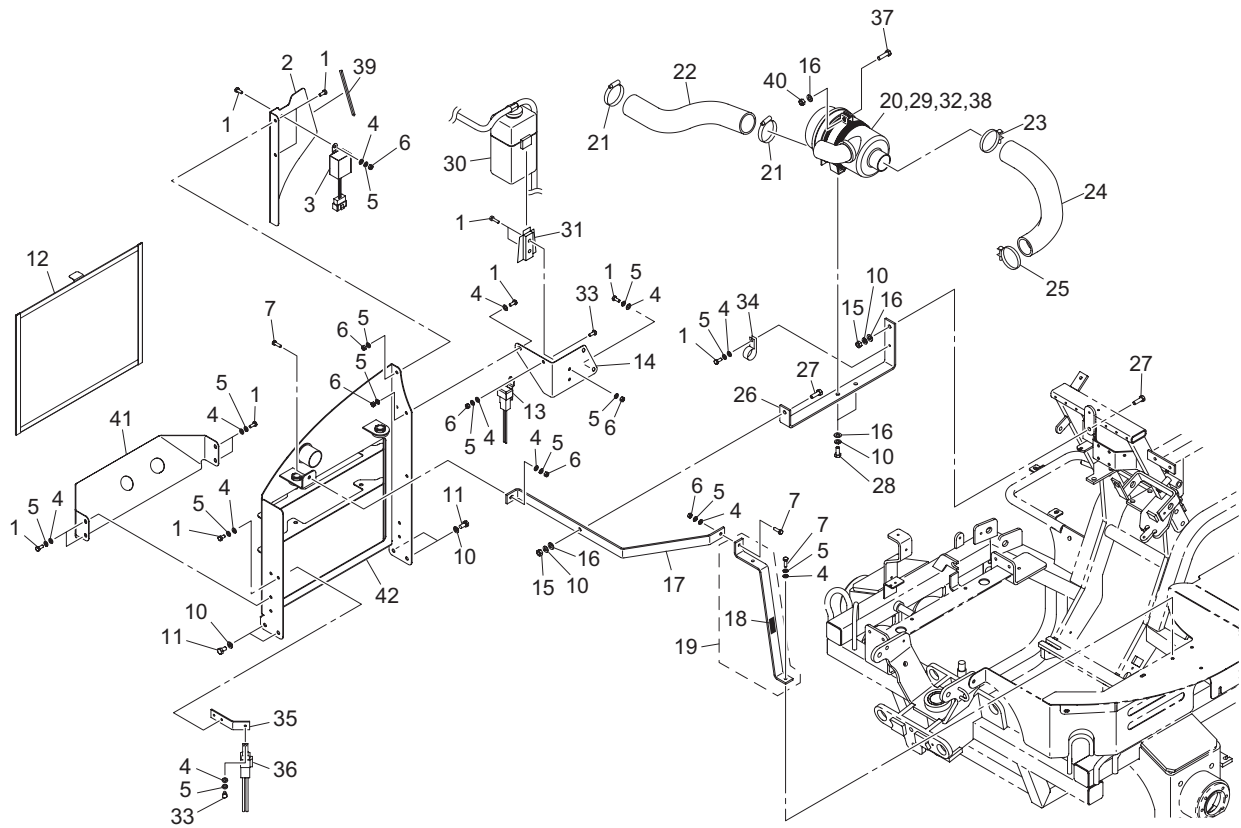
LM331_012_z02

| Cat No. | Code No. | Part name | Qty | Remark | SN of application |
|---------|-------------|--------------------------|-----|--------|-------------------|
| 12-61 | K6031100288 | PIN, FLAT HEAD HT M10-28 | 1 | | |
| | | | | | |
| | | | | | |
| | | | | | |
| | | | | | |
| | | | | | |
| | | | | | |
| | | | | | |
| | | | | | |
| | | | | | |



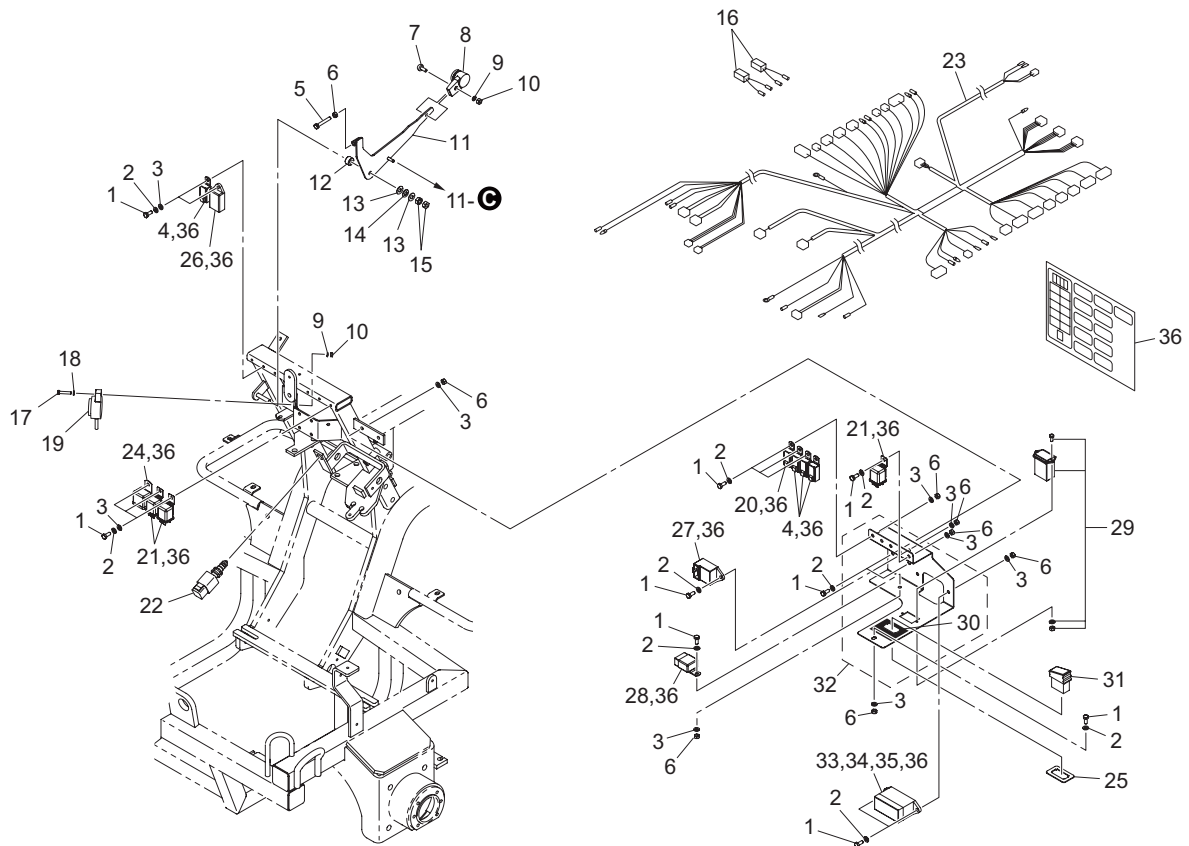
LM331_013_z02

| Cat No. | Code No. | Part name | Qty | Remark | SN of application |
|---------|----------------|-------------------------------------|-----|--------|-------------------|
| 13-1 | K0000060152 | BOLT, M6-15 | 16 | | |
| 13-2 | LM331--0522ZD | CROSS-PLATE | 1 | | |
| 13-3 | K3683000010 | TIMER, OFF DELAY 0.9S | 1 | | |
| 13-4 | K5000060002 | WASHER, M6 | 16 | | |
| 13-5 | K0200060002 | WASHER, SPRING M6 | 20 | | |
| 13-6 | K0100060002 | NUT, M6 | 9 | | |
| 13-7 | K0000060202 | BOLT, M6-20 | 3 | | |
| 13-8 | | | | | |
| 13-9 | | | | | |
| 13-10 | K0200080002 | WASHER, SPRING M8 | 8 | | |
| 13-11 | K0000080152 | BOLT, M8-15 | 4 | | |
| 13-12 | LM331--0525Z2 | NET, DUST PREVENTION | 1 | | |
| 13-13 | K3630000160 | FUSE BLOCK, FUSIBLE LINK 30A | 1 | | |
| 13-14 | LM331--0523ZD | PLATE, MOUNTING RESERVE TANK | 1 | | |
| 13-15 | K0100080002 | NUT, M8 | 2 | | |
| 13-16 | K5000080002 | WASHER, M8 | 5 | | |
| 13-17 | LM331--0527ZD | FRAME, ENGINE ROOM (UPPER) | 1 | | |
| 13-18 | K4205001910 | DECAL, CAUTION NOT TO GET CAUGHT IN | 1 | | |
| 13-19 | LM331--0529Z0 | FRAME COMP, ENGINE ROOM (SIDE) | 1 | | |
| 13-20 | PF15371-1187-0 | CUSHION | 1 | | |
| 13-21 | LM331--0542Z0 | BAND, LS-46 | 2 | | |
| 13-22 | LM331--0541Z0 | HOSE, DUCT GL45-330 | 1 | | |
| 13-23 | PF15221-1172-0 | BAND, PIPE | 1 | | |
| 13-24 | LM331--0502Z0 | HOSE, AIR CLEANER | 1 | | |
| 13-25 | PF15261-1172-0 | BAND, PIPE | 1 | | |
| 13-26 | LM331--0526ZD | PLATE, MOUNTING AIR CLEANER | 1 | | |
| 13-27 | K0000080252 | BOLT, M8-25 | 2 | | |
| 13-28 | K0000080202 | BOLT, M8-20 | 2 | | |
| 13-29 | PF15381-1125-0 | BAND, AIR CLEANER | 1 | | |
| 13-30 | PF19839-7240-0 | TANK ASSY, RESERVE | 1 | | |



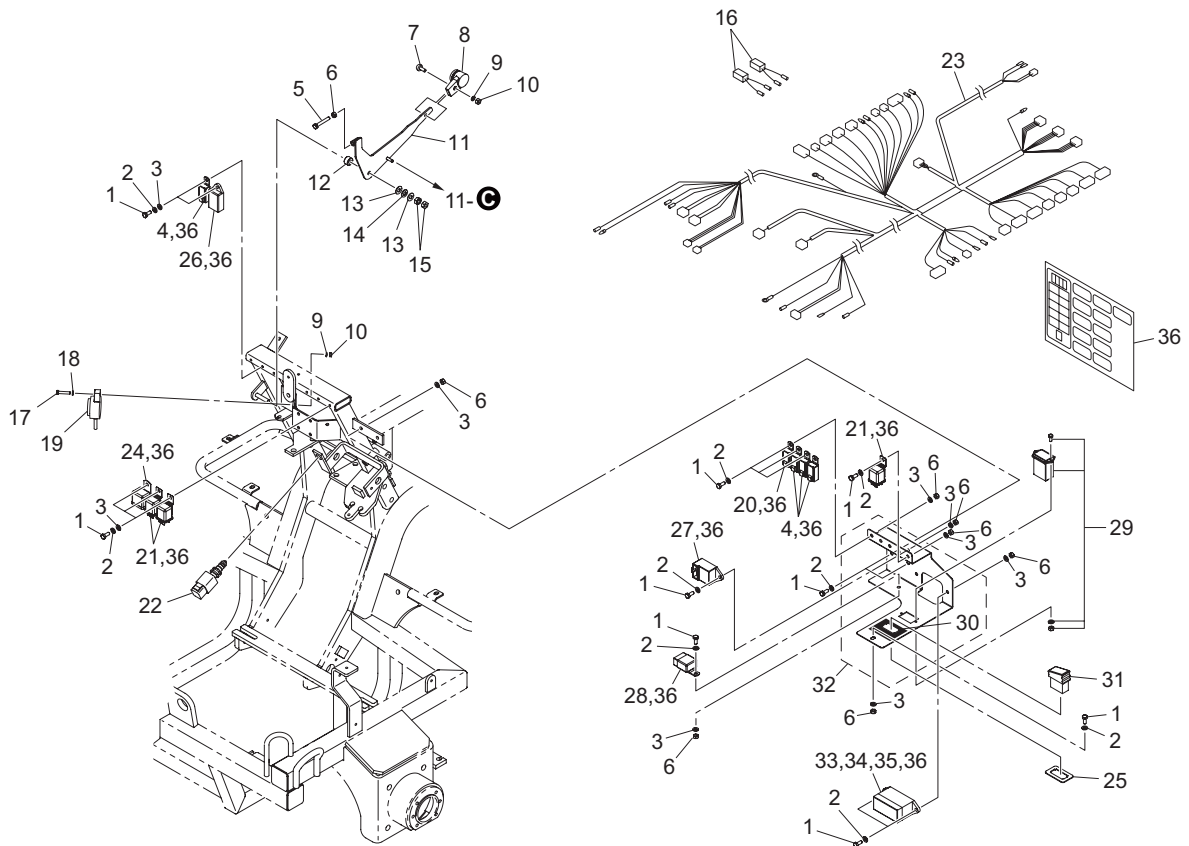
LM331_013_z02

| Cat No. | Code No. | Part name | Qty | Remark | SN of application |
|---------|----------------|------------------------------|-----|--------|-------------------|
| 13-31 | PF11982-7246-0 | STAY, RESERVE TANK | 1 | | |
| 13-32 | PF67980-5830-6 | AIR CLEANER ASSY | 1 | | |
| 13-33 | K0000060102 | BOLT, M6-10 | 1 | | |
| 13-34 | K4270035060 | CLIP, HARNESS 35 M6 | 1 | | |
| 13-35 | LM331--0558ZD | BRACKET | 1 | | |
| 13-36 | K3630000130 | FUSE BLOCK, FUSIBLE LINK 50A | 1 | | |
| 13-37 | K0000080602 | BOLT, M8-60 | 1 | | |
| 13-38 | PFK7311-8239-2 | ELEMENT (PRIMARY) | 1 | | |
| 13-39 | K3198103900 | TRIM, SEAL 6100-16C-390 | 1 | | |
| 13-40 | K0144080002 | NUT, W/F-RING M8 | 1 | | |
| 13-41 | LM331--0520ZD | COVER, RADIATOR FRAME LOWER | 1 | | |
| 13-42 | LM331--0519ZD | FRAME, RADIATOR | 1 | | |
| | | | | | |
| | | | | | |
| | | | | | |
| | | | | | |



LM331_014_z02

| Cat No. | Code No. | Part name | Qty | Remark | SN of application |
|---------|----------------|------------------------------|-----|--------|-------------------|
| 14-1 | K0000060152 | BOLT, M6-15 | 17 | | |
| 14-2 | K5000060002 | WASHER, M6 | 17 | | |
| 14-3 | K0200060002 | WASHER, SPRING M6 | 17 | | |
| 14-4 | K3681000060 | RELAY, CA1aF-12V-N-5 | 3 | | |
| 14-5 | K0000060502 | BOLT, M6-50 | 1 | | |
| 14-6 | K0100060002 | NUT, M6 | 13 | | |
| 14-7 | K0042050082 | SCREW, + ROUND HEAD M5-8 | 1 | | |
| 14-8 | K1301000150 | GRIP, PLASTIC THROTTLE LEVER | 1 | | |
| 14-9 | K0200050002 | WASHER, SPRING M5 | 1 | | |
| 14-10 | K0100050002 | NUT, M5 | 1 | | |
| 14-11 | LM331--0543Z2 | LEVER, THROTTLE | 1 | | |
| 14-12 | K6212001702 | COLLAR, STKM M8.5-17-10 | 1 | | |
| 14-13 | K5051008180 | WASHER, C5191P 1-8-18 | 2 | | |
| 14-14 | K0212080002 | WASHER, DISK SPRING 1L M8 | 1 | | |
| 14-15 | K0100080002 | NUT, M8 | 2 | | |
| 14-16 | K3730000010 | DIODE, V087860 | 2 | | |
| 14-17 | K0000050252 | BOLT, M5-25 | 1 | | |
| 14-18 | K5000050002 | WASHER, M5 | 1 | | |
| 14-19 | K3700000010 | BUZZER, EBM-12 TYPE | 1 | | |
| 14-20 | PF5H276-4125-0 | RELAY COMP | 1 | | |
| 14-21 | K3681000070 | RELAY, MR5A411A1K | 3 | | |
| 14-22 | K3671000110 | SWITCH, LIMIT 2 CIRCUIT NC | 1 | | |
| 14-23 | LM331--0585Z0 | HARNESS | 1 | | |
| 14-24 | PF5H632-4251-0 | RELAY, GLOW | 1 | | |
| 14-25 | LM331--0557Z2 | SPACER, FOR FIXING SWITCH | 1 | | |
| 14-26 | PF1G386-6024-2 | TIMER,SOLENOID 1 SEC | 1 | | |
| 14-27 | PF15694-6599-0 | TIMER, GLOW LAMP | 1 | | |
| 14-28 | K3681000010 | RELAY, CA1-DC12V-N | 1 | | |
| 14-29 | K3650000130 | HOUR METER, 636DC | 1 | | |
| 14-30 | LM331--0556Z0 | DECAL, LAPPING SWITCH | 1 | | |

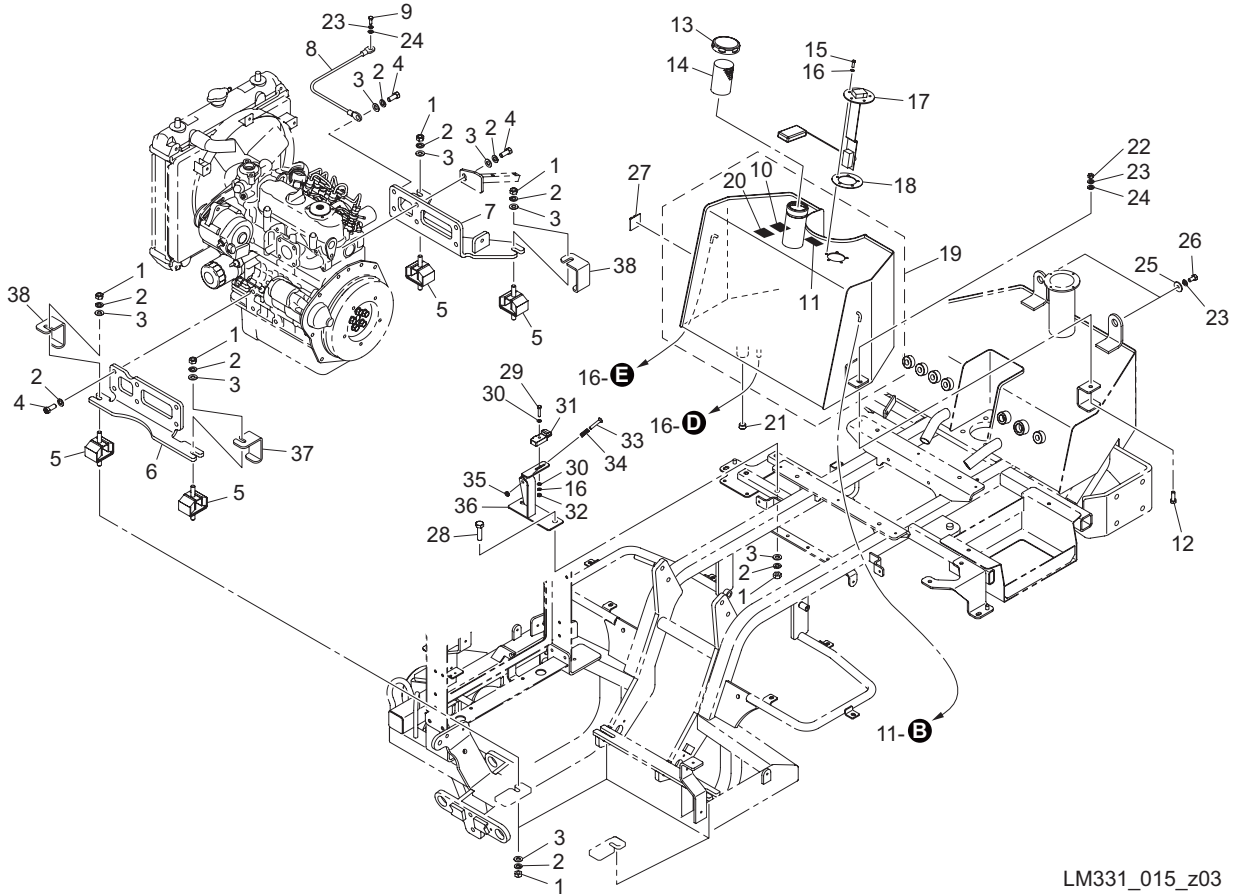


LM331_014_z02

| Cat No. | Code No. | Part name | Qty | Remark | SN of application |
|---------|---------------|------------------------|-----|--------|-------------------|
| 14-31 | K3661000070 | SWITCH, ROCKER RED | 1 | | |
| 14-32 | LM331--0554A0 | MOUNT COMP, RELAY | 1 | | |
| 14-33 | K3630000090 | FUSE BLOCK, MINI 10P-A | 1 | | |
| 14-34 | K3631000070 | FUSE, MINI BLADE 5A | 8 | | |
| 14-35 | K3631000110 | FUSE, MINI BLADE 15A | 1 | | |
| 14-36 | LM331--0587Z0 | LABEL, RELAY & FUSE | 1 | | |
| | | | | | |
| | | | | | |
| | | | | | |
| | | | | | |
| | | | | | |

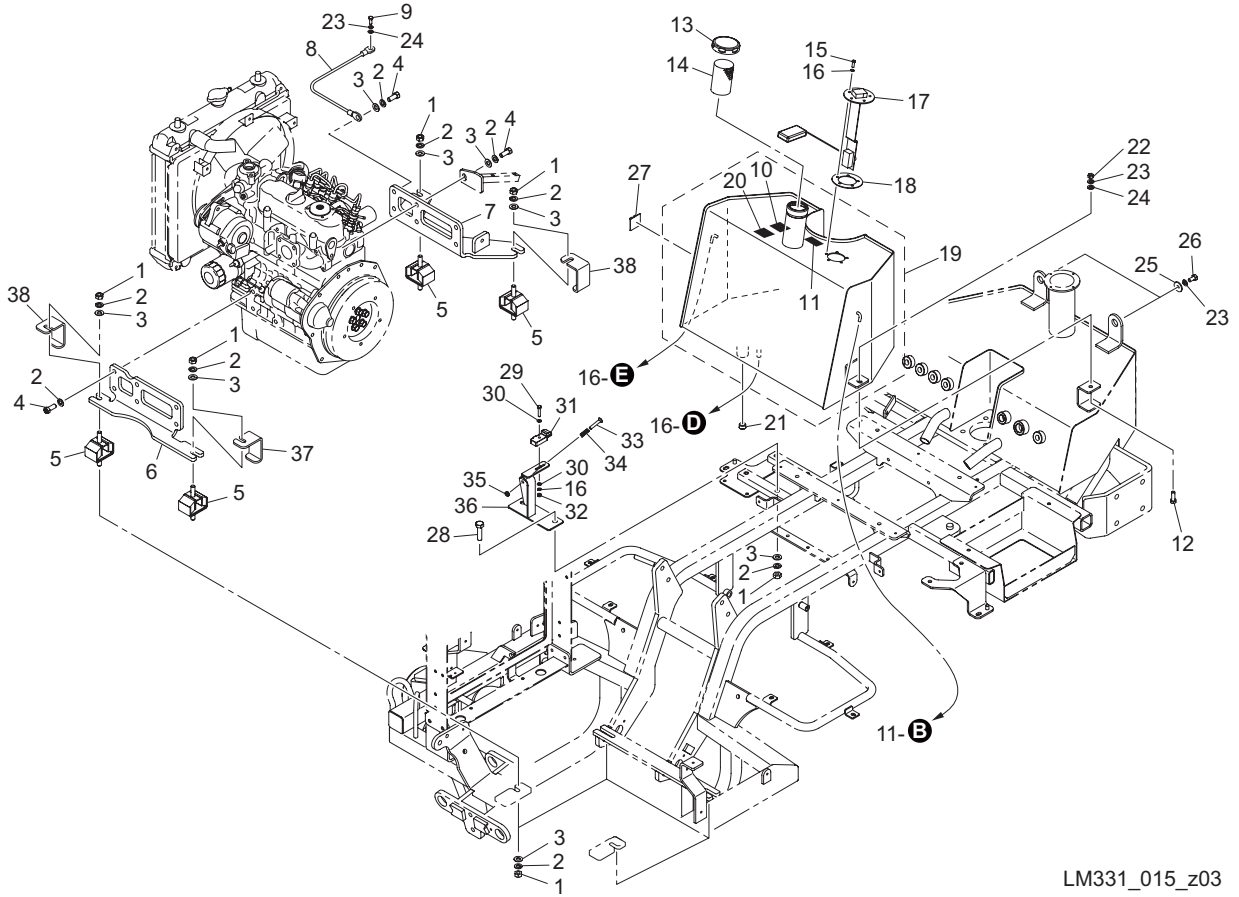
15.Engine & Electrical section E

LM331



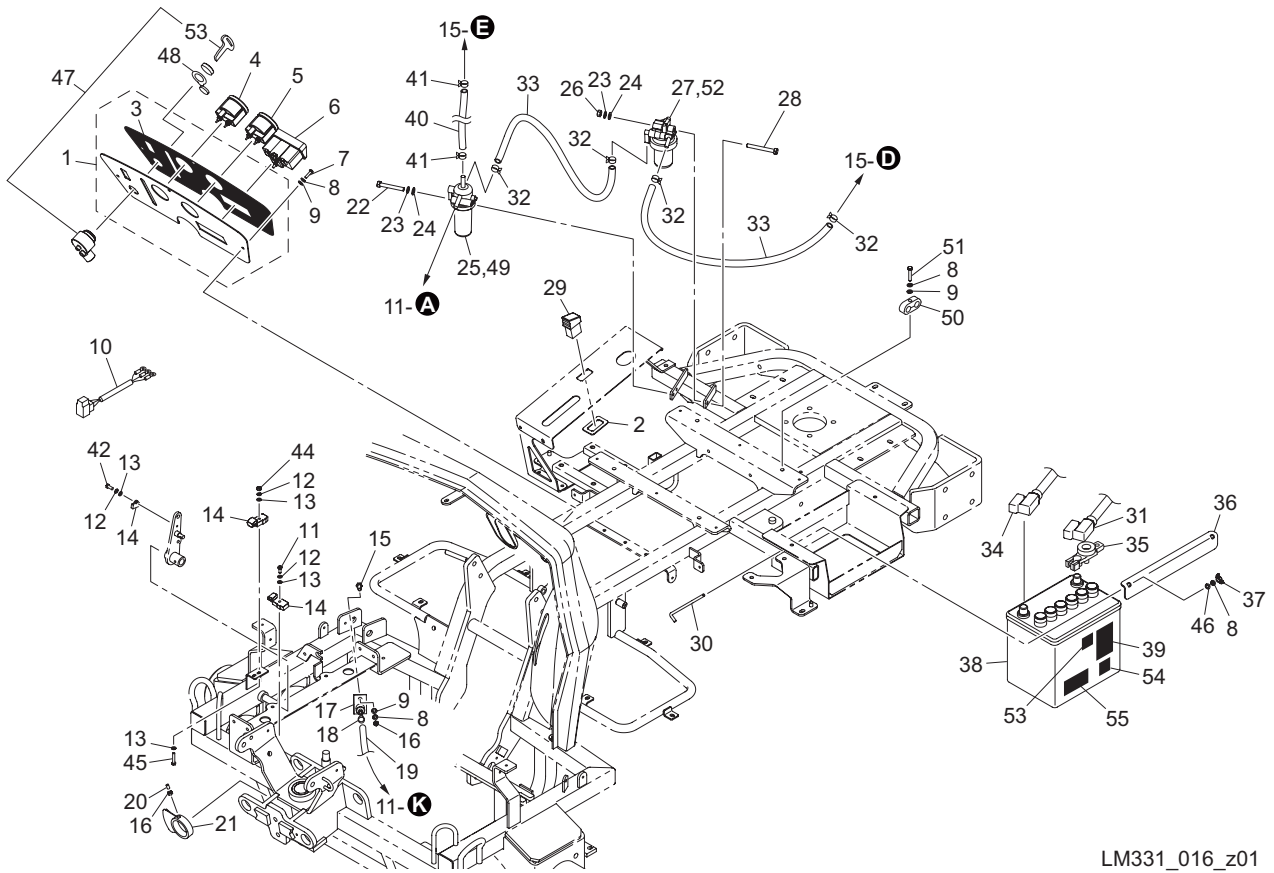
LM331_015_z03

| Cat No. | Code No. | Part name | Qty | Remark | SN of application |
|---------|---------------|-----------------------------------|-----|--------|-------------------|
| 15-1 | K0100100002 | NUT, M10 | 10 | | |
| 15-2 | K0200100002 | WASHER, SPRING M10 | 22 | | |
| 15-3 | K5000100002 | WASHER, M10 | 12 | | |
| 15-4 | K0017100252 | BOLT, SMALL HT P1.25 M10-25 | 12 | | |
| 15-5 | K4043000010 | RUBBER, ANTI VIBRATION 1340 | 4 | | |
| 15-6 | LM331--0503AD | BASE, ENGINE (FRONT) | 1 | | |
| 15-7 | LM331--0504AD | BASE, ENGINE (REAR) | 1 | | |
| 15-8 | K3611000430 | WIRE, TO EARTH 500 | 1 | | |
| 15-9 | K0000080202 | BOLT, M8-20 | 1 | | |
| 15-10 | K4209001000 | DECAL, DIESEL FUEL REFUELING HOLE | 1 | | |
| 15-11 | K4205001940 | DECAL, DANGER "NO FIRE" | 1 | | |
| 15-12 | K0000080252 | BOLT, M8-25 | 2 | | |
| 15-13 | K1410000120 | PLUG, FUEL TANK | 1 | | |
| 15-14 | K3420000090 | FILTER ASSY, FUEL | 1 | | |
| 15-15 | K0042050152 | SCREW, + ROUND HEAD M5-15 | 5 | | |
| 15-16 | K0200050002 | WASHER, SPRING M5 | 6 | | |
| 15-17 | K2721000130 | GAUGE, FLOATING 175*115 | 1 | | |
| 15-18 | K2721000020 | PACKING, OIL-SHEET | 1 | | |
| 15-19 | LM331--0532Z0 | TANK COMP, FUEL | 1 | | |
| 15-20 | K4209001330 | DECAL, DIESEL FUEL INDICATION | 1 | | |
| 15-21 | K1422106001-Y | PLUG, TAPERED W/HEX HOLE T1 3/8 | 1 | | |
| 15-22 | K0100080002 | NUT, M8 | 2 | | |
| 15-23 | K0200080002 | WASHER, SPRING M8 | 5 | | |
| 15-24 | K5000080002 | WASHER, M8 | 3 | | |
| 15-25 | K5012308262 | WASHER, SPCC 2.3-8-26 | 2 | | |
| 15-26 | K0000080152 | BOLT, M8-15 | 2 | | |
| 15-27 | K4251000020 | LATCH, WIRE S20 | 1 | | |
| 15-28 | K0000100402 | BOLT, M10-40 | 2 | | |
| 15-29 | K0000050252 | BOLT, M5-25 | 1 | | |
| 15-30 | K5000050002 | WASHER, M5 | 2 | | |



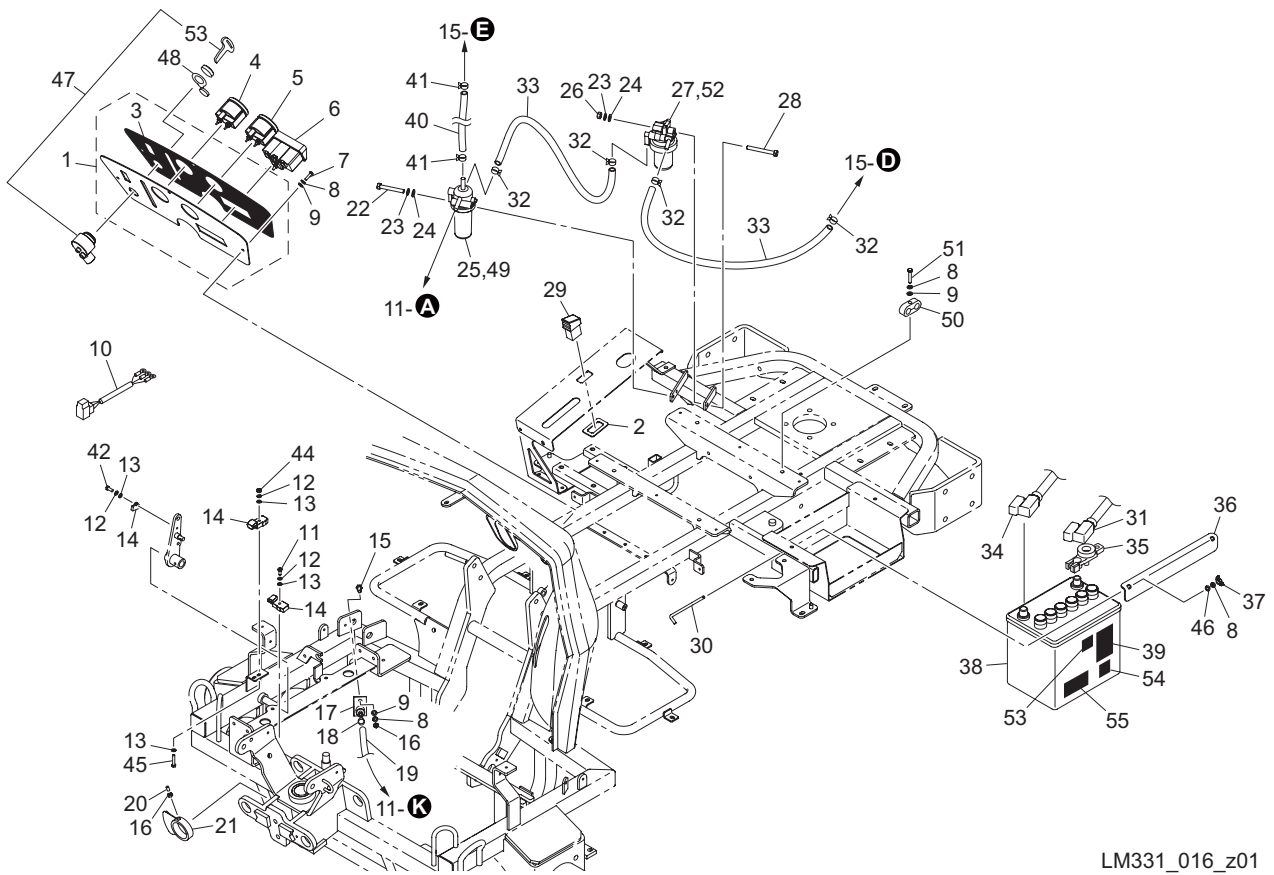
LM331_015_z03

| Cat No. | Code No. | Part name | Qty | Remark | SN of application |
|---------|---------------|---------------------------------|-----|--------|-------------------|
| 15-31 | K3720000160 | SWITCH, PROXIMITY NO V-out | 1 | | |
| 15-32 | K0100050002 | NUT, M5 | 1 | | |
| 15-33 | K0041060352 | SCREW, + FLAT HEAD M6-35 | 1 | | |
| 15-34 | K1000000260 | SPRING, COMPRESSION M0.7-8.4-25 | 1 | | |
| 15-35 | K0144060002 | NUT, W/F-RING M6 | 1 | | |
| 15-36 | LM331--0586A2 | BRACKET, PROXIMITY SENSOR | 1 | | |
| 15-37 | LM331--0515Z2 | STOPPER, ENGINE (LH) | 1 | | |
| 15-38 | LM331--0516Z2 | STOPPER, ENGINE (RH) | 2 | | |
| | | | | | |
| | | | | | |
| | | | | | |
| | | | | | |
| | | | | | |



LM331_016_z01

| Cat No. | Code No. | Part name | Qty | Remark | SN of application |
|---------|----------------|----------------------------|-----|--------|-------------------|
| 16-1 | LM331--0551A0 | PANEL COMP, METER | 1 | | |
| 16-2 | LM331--0557Z2 | SPACER, FOR FIXING SWITCH | 1 | | |
| 16-3 | LM331--0553A0 | STICKER, PANEL | 1 | | |
| 16-4 | K3653000010 | GAUGE, FUEL 52BG2 | 1 | | |
| 16-5 | PFR1401-5317-0 | GAUGE, WATER TEMPERATURE | 1 | | |
| 16-6 | K3641000070 | LAMP, PILOT BOX | 1 | | |
| 16-7 | K0042060202 | SCREW, + ROUND HEAD M6-20 | 3 | | |
| 16-8 | K0200060002 | WASHER, SPRING M6 | 6 | | |
| 16-9 | K5000060002 | WASHER, M6 | 4 | | |
| 16-10 | LM331--0572Z0 | WIRE, FUEL GAGE | 1 | | |
| 16-11 | K0000080202 | BOLT, M8-20 | 1 | | |
| 16-12 | K0200050002 | WASHER, SPRING M5 | 3 | | |
| 16-13 | K5000050002 | WASHER, M5 | 4 | | |
| 16-14 | K3720000160 | SWITCH, PROXIMITY NO V-out | 2 | | |
| 16-15 | K0000060202 | BOLT, M6-20 | 1 | | |
| 16-16 | K0100060002 | NUT, M6 | 2 | | |
| 16-17 | PF1G291-7317-0 | JOINT, DRAIN PIPE | 1 | | |
| 16-18 | K4260000172 | CLAMP, HOSE KS-11-19 | 2 | | |
| 16-19 | K3180004500 | HOSE, FUEL 8*1B450 | 1 | | |
| 16-20 | K0023060151 | SETSCREW, M6-15 | 1 | | |
| 16-21 | LM331--0574A0 | MAGNET COMP | 1 | | |
| 16-22 | K0000080602 | BOLT, M8-60 | 1 | | |
| 16-23 | K0200080002 | WASHER, SPRING M8 | 2 | | |
| 16-24 | K5000080002 | WASHER, M8 | 2 | | |
| 16-25 | PF1G313-4301-0 | FILTER ASSY, FUEL | 1 | | |
| 16-26 | K0100080002 | NUT, M8 | 1 | | |
| 16-27 | PF1G381-4335-0 | FILTER ASSY | 1 | | |
| 16-28 | K0000080702 | BOLT, M8-70 | 1 | | |
| 16-29 | K3661000050 | SWITCH, ROCKER | 1 | | |
| 16-30 | LM331--0577Z2 | ROD, W/M6 BOLT | 2 | | |

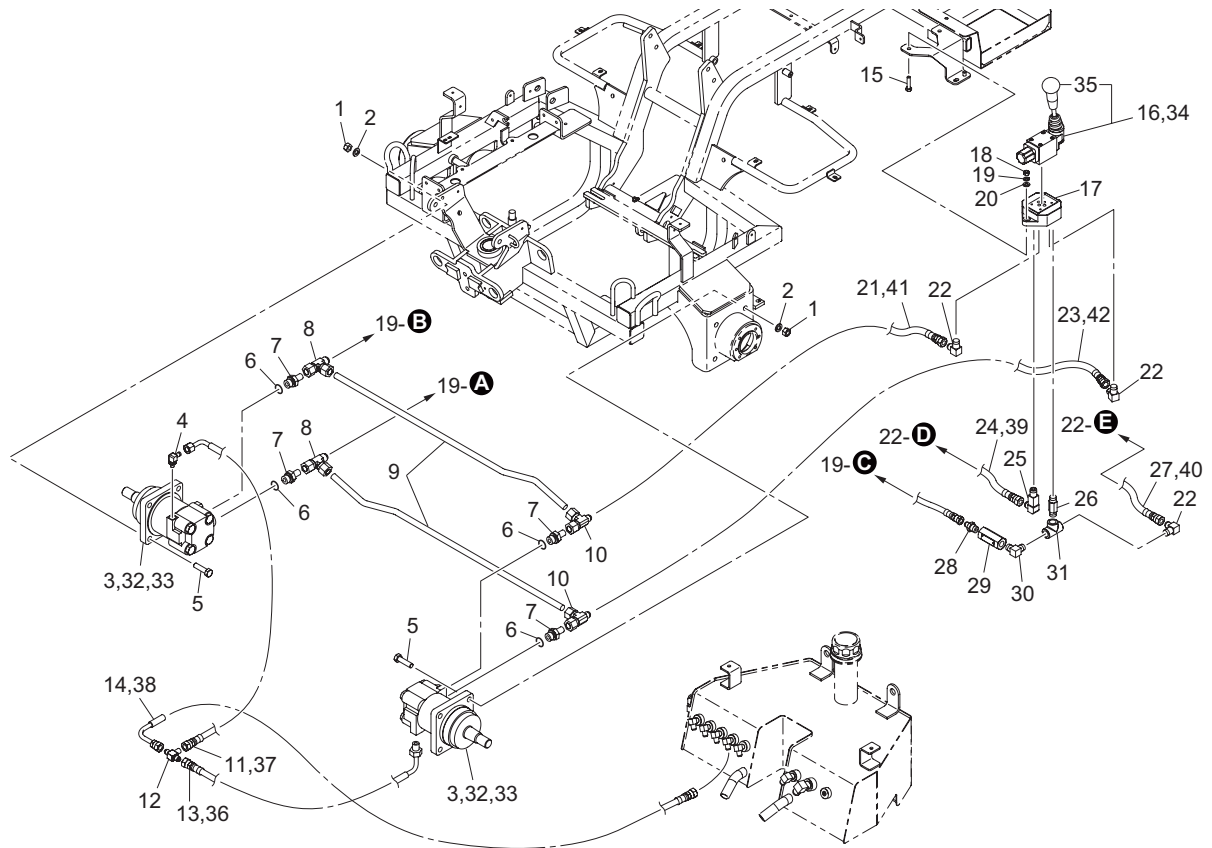


LM331_016_z01

| Cat No. | Code No. | Part name | Qty | Remark | SN of application |
|---------|----------------|----------------------------------|-----|--------|-------------------|
| 16-31 | K3611000500 | WIRE, TO EARTH 1750 | 1 | | |
| 16-32 | K4260000240 | CLIP, PIPE PF14911-42750 | 4 | | |
| 16-33 | PF09661-81200 | TUBE, FUEL | 2 | | |
| 16-34 | K3610000630 | WIRE, BATTERY (+) 2500 | 1 | | |
| 16-35 | K3612000110 | SWITCH, CUT OFF BATTERY | 1 | | |
| 16-36 | LM285--0911Z2 | CLAMPER, BATTERY | 1 | | |
| 16-37 | K0141060002 | NUT, WING M6-3 | 2 | | |
| 16-38 | K3600000160 | BATTERY, FX75D23L | 1 | | |
| 16-39 | K4205002030 | DECAL, CROSSED-OUT DUST BIN | 1 | | |
| 16-40 | K3182005000 | HOSE, FUEL 4*1B500 | 1 | | |
| 16-41 | K4260000270 | CLIP, HOSE TS095 | 2 | | |
| 16-42 | K0042050122 | SCREW, + ROUND HEAD M5-12 | 1 | | |
| 16-43 | K4209001410 | LABEL, CAPACITY OF BATTERY 75D23 | 1 | | |
| 16-44 | K0100050002 | NUT, M5 | 1 | | |
| 16-45 | K0000050252 | BOLT, M5-25 | 1 | | |
| 16-46 | K5012306162 | WASHER, SPCC 2.3-6-16 | 2 | | |
| 16-47 | PF15248-6359-0 | SWITCH ASSY, STARTER | 1 | | |
| 16-48 | K1310000080 | CAP, RUBBER FOR SWITCH | 1 | | |
| 16-49 | PF1G313-4356-0 | ELEMENT ASSY, FUEL | 1 | | |
| 16-50 | K4260000230 | CLAMP, PIPE LNG15/15 | 1 | | |
| 16-51 | K0000060402 | BOLT, M6-40 | 1 | | |
| 16-52 | PFRB101-5127-0 | CUP, FILTER | 1 | | |
| 16-53 | PF15248-6370-0 | KEY, STARTER | 1 | | |
| 16-54 | K4205001890 | DECAL, RECYCLE MARK | 1 | | |
| 16-55 | K4205001880 | DECAL, CAUTION P/D-4 | 1 | | |

17. Hydraulic section A

LM331

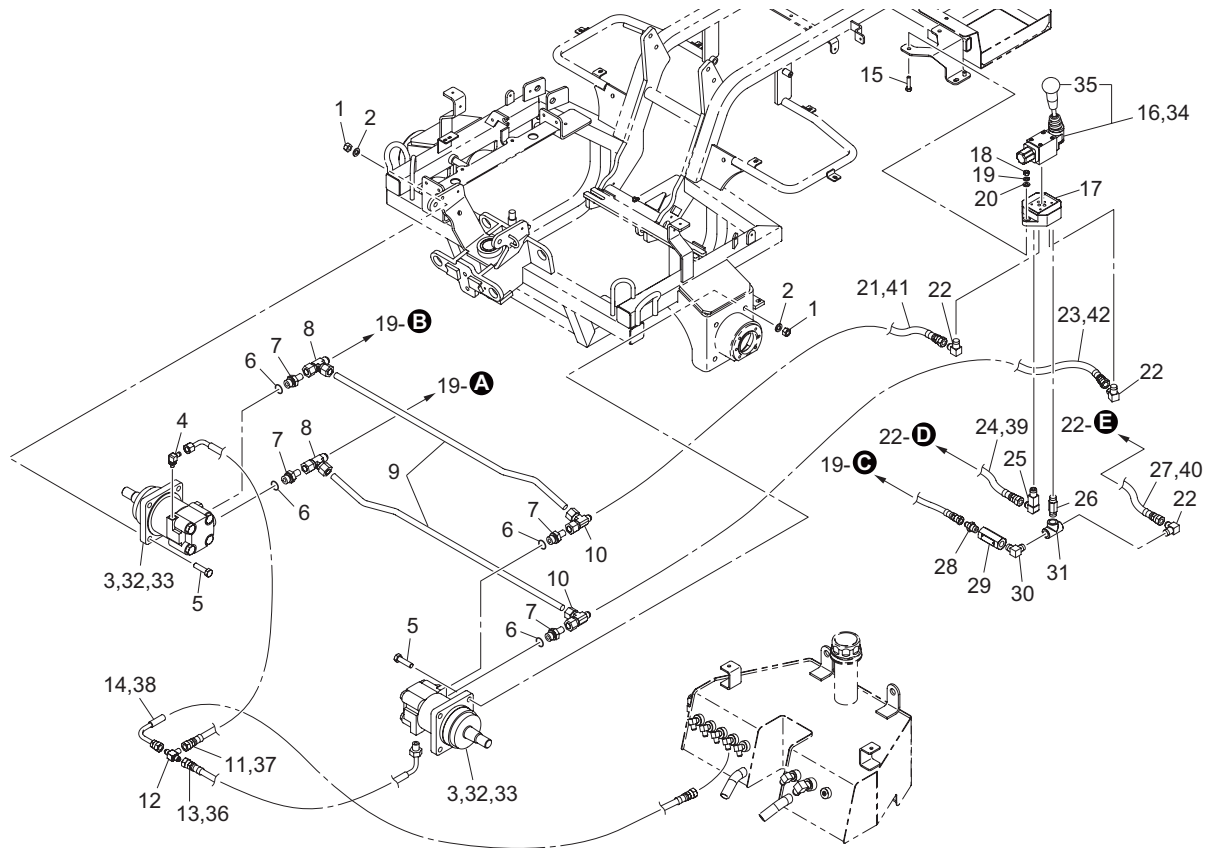


LM331_017_z02

| Cat No. | Code No. | Part name | Qty | Remark | SN of application |
|---------|-----------------|--------------------------------|-----|--------|-------------------|
| 17-1 | K0100120002 | NUT, M12 | 8 | | |
| 17-2 | K0200120002 | WASHER, SPRING M12 | 8 | | |
| 17-3 | K3291000130 | MOTOR, ORBIT 2-160BS4S-E341 | 2 | | |
| 17-4 | K3008000442-Y | ADAPTER, 90 1086-6 | 1 | | |
| 17-5 | K0000120452 | BOLT, M12-45 | 8 | | |
| 17-6 | K0881018000 | O-RING, P18B | 4 | | |
| 17-7 | K3026515081-Y | CONNECTOR, KHB15-040E | 4 | | |
| 17-8 | K3028315081-Y | TEE, KTJ15-040E | 2 | | |
| 17-9 | LM331--0712Z2-Y | PIPE, CONNECTING FRONT MOTOR | 2 | | |
| 17-10 | K3028315061-Y | TEE, KTJ15-030E | 2 | | |
| 17-11 | K3100230400 | HOSE, WP35-6-3-400 | 1 | | |
| 17-12 | K3008000092-Y | ADAPTER, TEE FOR HOSE PF1/4 | 1 | | |
| 17-13 | LM331--0761Z0 | HOSE, NWP35-6-750 | 1 | | |
| 17-14 | K3100231850 | HOSE, WP35-6-3-1850 | 1 | | |
| 17-15 | K0000080352 | BOLT, M8-35 | 2 | | |
| 17-16 | K3302000050 | VALVE, MANUAL SWITCH S | 1 | | |
| 17-17 | K3314000050 | SUB-PLATE, SHD025-03T3A | 1 | | |
| 17-18 | K0100080002 | NUT, M8 | 2 | | |
| 17-19 | K0200080002 | WASHER, SPRING M8 | 2 | | |
| 17-20 | K5000080002 | WASHER, M8 | 2 | | |
| 17-21 | K3105331400 | HOSE, WP210-9-3-1400 | 1 | | |
| 17-22 | K3001090002-Y | ELBOW, 90 1033-9 | 3 | | |
| 17-23 | K3105331450 | HOSE, WP210-9-3-1450 | 1 | | |
| 17-24 | K3105311900 | HOSE, WP210-9-1-1900 | 1 | | |
| 17-25 | K3005000022-Y | ELBOW, LONG 3/8 | 1 | | |
| 17-26 | K3029000182-Y | NIPPLE, LONG PT3/8 | 1 | | |
| 17-27 | K3105311950 | HOSE, WP210-9-1-1950 | 1 | | |
| 17-28 | K3007000062-Y | ADAPTER, ODD SIZED PT3/8*PF1/4 | 1 | | |
| 17-29 | K3341000010 | VALVE, CHECK HK3-ET1-03A | 1 | | |
| 17-30 | K3006000072-Y | ELBOW, PT3/8 | 1 | | |

17. Hydraulic section A

LM331

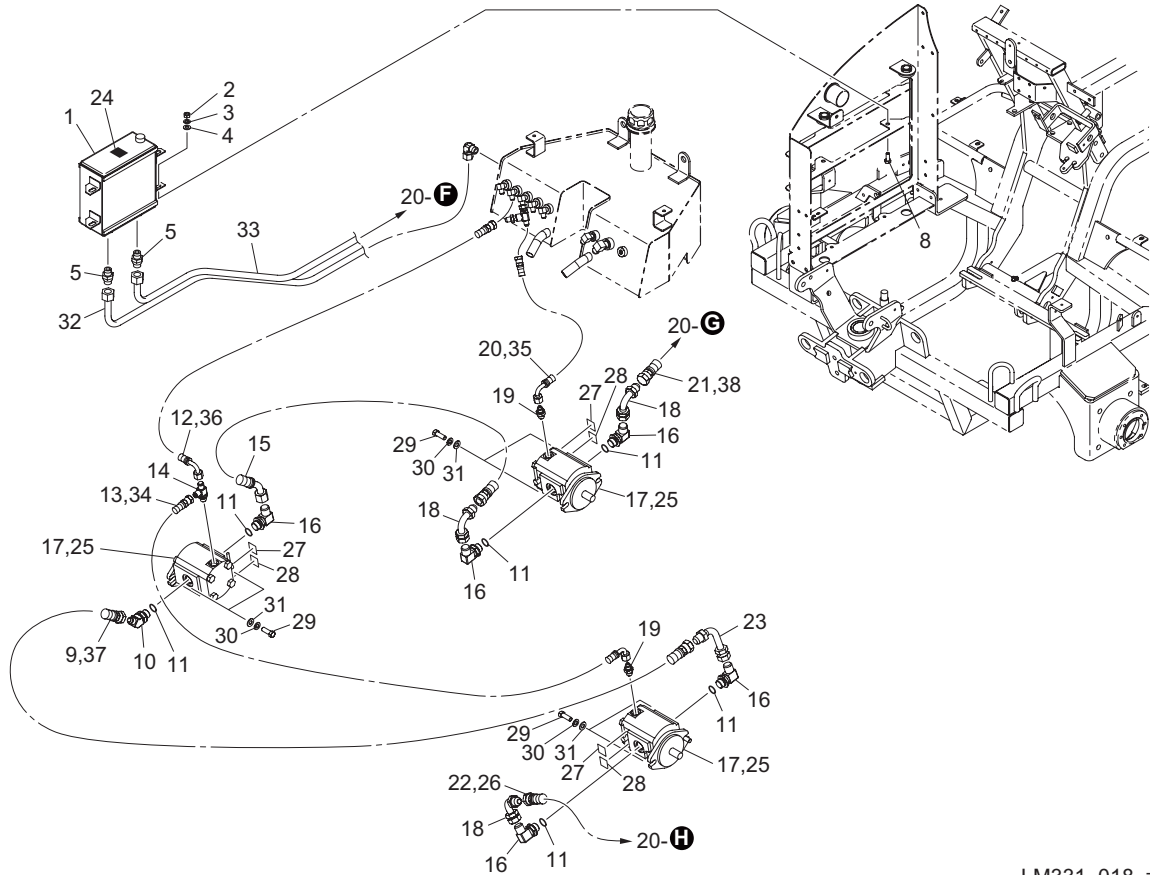


LM331_017_z02

| Cat No. | Code No. | Part name | Qty | Remark | SN of application |
|---------|---------------|------------------------------------|-----|--------|-------------------|
| 17-31 | K3021060002-Y | TEE, TEF PT3/8 | 1 | | |
| 17-32 | Y61091S | SEAL KIT, ORBIT MOTOR 2000 (SHAFT) | 2 | | |
| 17-33 | Y61090S | SEAL KIT, ORBIT MOTOR 2000 (REAR) | 2 | | |
| 17-34 | K0880009000 | O-RING, P9 | 4 | | |
| 17-35 | K1300000040 | GRIP, RUBBER BLACK 9-35.5 | 1 | | |
| 17-36 | K3189006400 | TUBE, SPIRAL SP-10 640 | 1 | | |
| 17-37 | K3189002900 | TUBE, SPIRAL SP-10 290 | 1 | | |
| 17-38 | K3189017400 | TUBE, SPIRAL SP-10 1740 | 1 | | |
| 17-39 | K3191017800 | TUBE, SPIRAL SP-15 1780 | 1 | | |
| 17-40 | K3191018300 | TUBE, SPIRAL SP-15 1830 | 1 | | |
| 17-41 | K3191012800 | TUBE, SPIRAL SP-15 1280 | 1 | | |
| 17-42 | K3191013300 | TUBE, SPIRAL SP-15 1330 | 1 | | |
| | | | | | |
| | | | | | |
| | | | | | |
| | | | | | |

18. Hydraulic section B

LM331

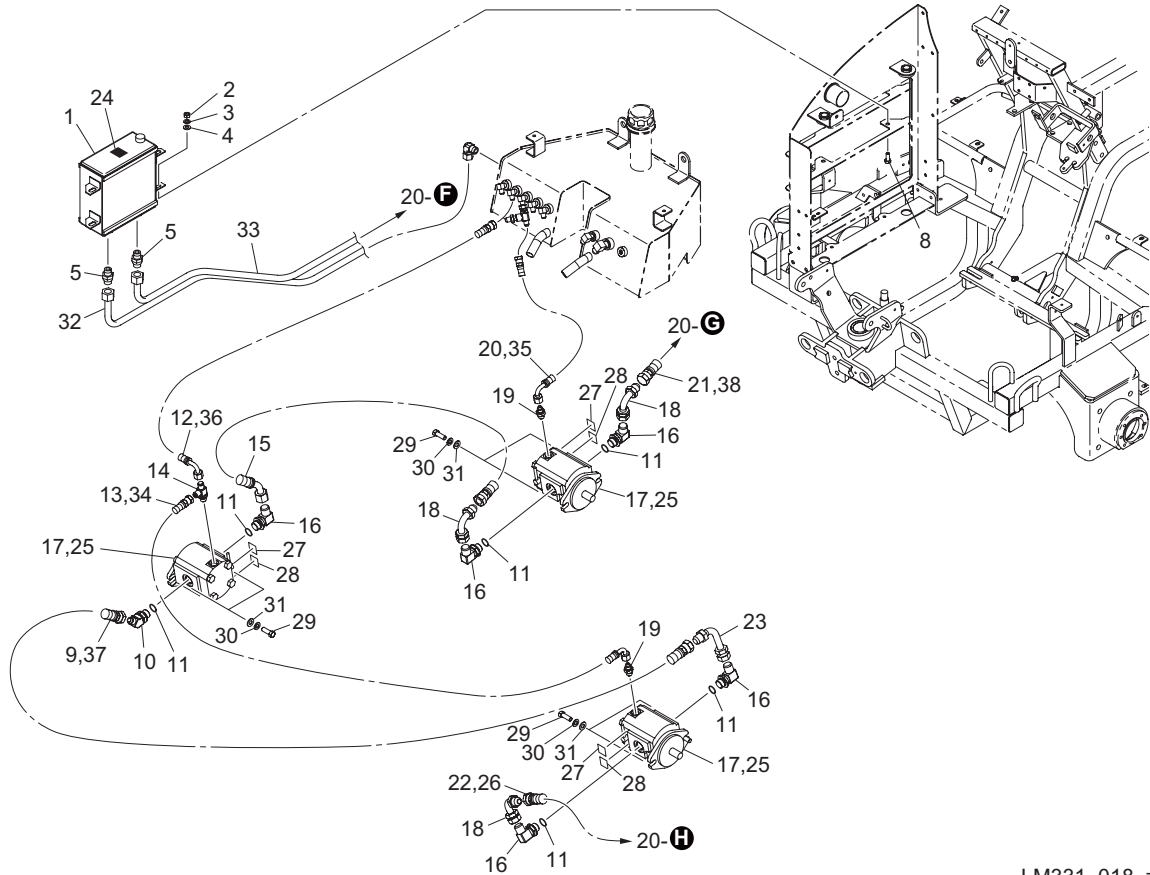


LM331_018_z04

| Cat No. | Code No. | Part name | Qty | Remark | SN of application |
|---------|---------------|---------------------------------|-----|--------|-------------------|
| 18-1 | K3430000050 | COOLER, OIL | 1 | | |
| 18-2 | K0100080002 | NUT, M8 | 4 | | |
| 18-3 | K0200080002 | WASHER, SPRING M8 | 4 | | |
| 18-4 | K5000080002 | WASHER, M8 | 4 | | |
| 18-5 | K3026615061-Y | CONNECTOR, KCT15-030E | 2 | | |
| 18-6 | | | | | |
| 18-7 | | | | | |
| 18-8 | K0000080202 | BOLT, M8-20 | 4 | | |
| 18-9 | K3104410880 | HOSE, WP175-12-1-880 | 1 | | |
| 18-10 | K3008000182-Y | ELBOW, ADJUSTABLE 45 | 1 | | |
| 18-11 | K0881018000 | O-RING, P18B | 6 | | |
| 18-12 | K3100233250 | HOSE, WP35-6-3-3250 | 1 | | |
| 18-13 | K3100230900 | HOSE, WP35-6-3-900 | 1 | | |
| 18-14 | K3008000852-Y | ADAPTER, TEE W/O-RING 8513-3105 | 1 | | |
| 18-15 | LM331--0763A0 | HOSE, WP175-12-2-3350 | 1 | | |
| 18-16 | K3008000042-Y | ELBOW, ADJUSTABLE 90 1086-12 | 5 | | |
| 18-17 | K3282000060 | MOTOR, GEAR PLM20.16 | 3 | | |
| 18-18 | K3025069082-Y | ADAPTER, FOR PIPE 069-08 | 3 | | |
| 18-19 | K3008000232-Y | CONNECTOR, W/O-RING PF1/4*PF1/4 | 2 | | |
| 18-20 | K3100232300 | HOSE, WP35-6-3-2300 | 1 | | |
| 18-21 | K3104431800 | HOSE, WP175-12-3-1800 | 1 | | |
| 18-22 | LM331--0762A0 | HOSE, WP175-12-3-3400 | 1 | | |
| 18-23 | K302506L082-Y | ADAPTER, FOR PIPE 06L-08 | 1 | | |
| 18-24 | K4205001920 | DECAL, CAUTION HOT PARTS | 1 | | |
| 18-25 | YCA62029050 | SEAL KIT, MOTOR PLM20-01S9R | 3 | | |
| 18-26 | K3172307000 | HOSE, VINYL 25*30-700 | 1 | | |
| 18-27 | K4203001300 | DECAL, REEL ROTATION | 1 | | |
| 18-28 | K4203001310 | DECAL, REEL STOP | 1 | | |
| 18-29 | K0008100302 | BOLT, SMALL M10-30 | 6 | | |
| 18-30 | K0200100002 | WASHER, SPRING M10 | 6 | | |

18. Hydraulic section B

LM331

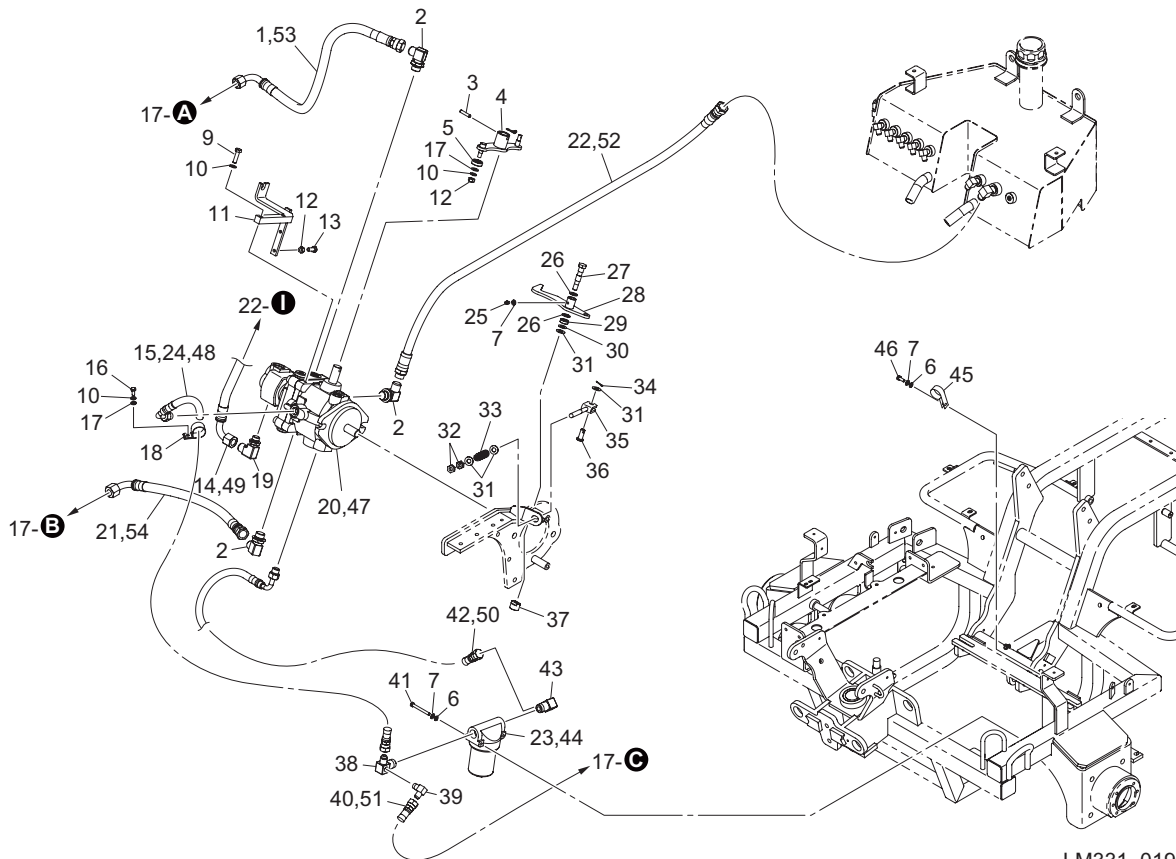


LM331_018_z04

| Cat No. | Code No. | Part name | Qty | Remark | SN of application |
|---------|-----------------|-------------------------|-----|--------|-------------------|
| 18-31 | K5000100002 | WASHER, M10 | 6 | | |
| 18-32 | LM331--0789Z2-Y | PIPE, OIL COOLER OUT | 1 | | |
| 18-33 | LM331--0788Z2-Y | PIPE, OIL COOLER IN | 1 | | |
| 18-34 | K3189007900 | TUBE, SPIRAL SP-10 790 | 1 | | |
| 18-35 | K3189021900 | TUBE, SPIRAL SP-10 2190 | 1 | | |
| 18-36 | K3189031400 | TUBE, SPIRAL SP-10 3140 | 1 | | |
| 18-37 | K3192007500 | TUBE, SPIRAL SP-20 750 | 1 | | |
| 18-38 | K3192016600 | TUBE, SPIRAL SP-20 1660 | 1 | | |
| | | | | | |
| | | | | | |
| | | | | | |
| | | | | | |
| | | | | | |
| | | | | | |

19. Hydraulic section C

LM331

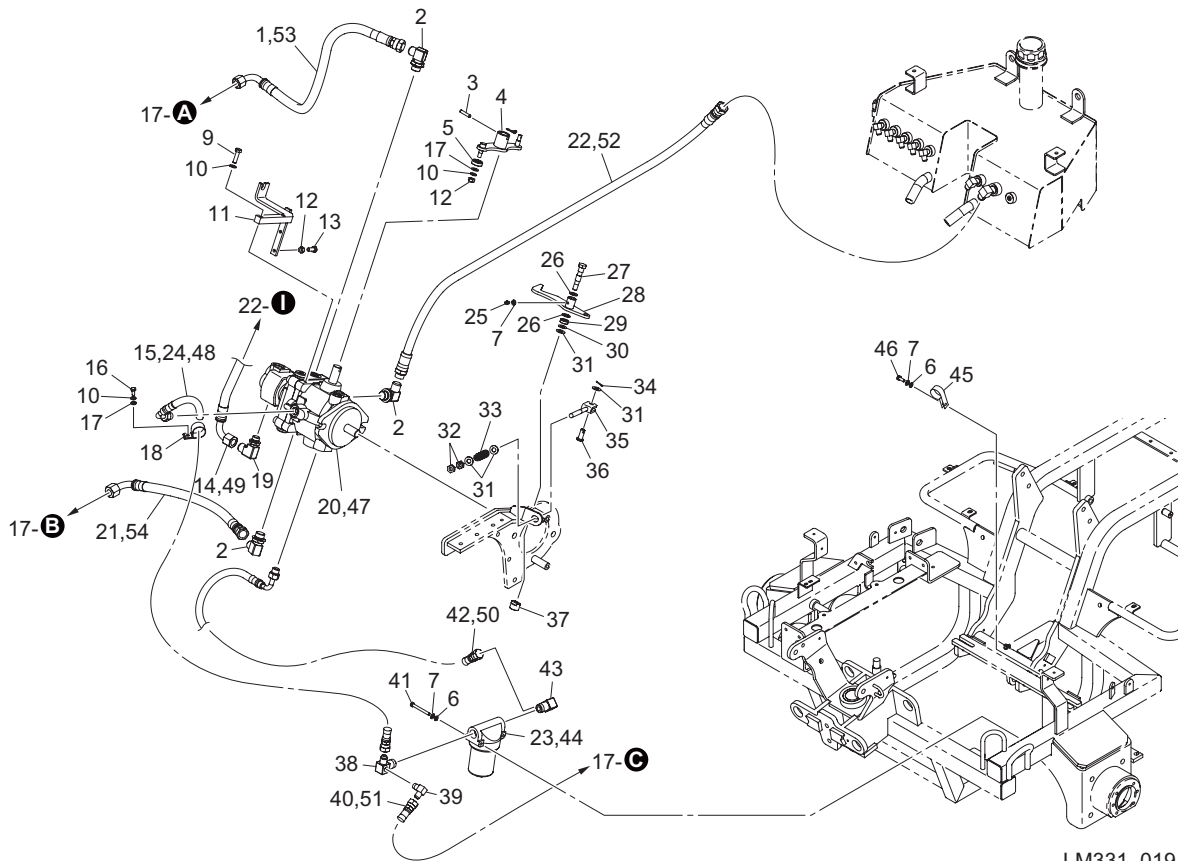


LM331_019_z03

| Cat No. | Code No. | Part name | Qty | Remark | SN of application |
|---------|---------------|-------------------------------------|-----|--------|-------------------|
| 19-1 | K3105430690 | HOSE, WP210-12-3-690 | 1 | | |
| 19-2 | K3008000042-Y | ELBOW, ADJUSTABLE 90 1086-12 | 3 | | |
| 19-3 | K0324060321 | PIN, SPIRAL M6-32 | 1 | | |
| 19-4 | LM331--0704Z2 | LEVER, TRANION | 1 | | |
| 19-5 | K0608006290 | BEARING, BALL SEAL 2RS 629 | 1 | | |
| 19-6 | K5000060002 | WASHER, M6 | 3 | | |
| 19-7 | K0200060002 | WASHER, SPRING M6 | 4 | | |
| 19-8 | K0100060002 | NUT, M6 | 1 | | |
| 19-9 | K0000080302 | BOLT, M8-30 | 2 | | |
| 19-10 | K0200080002 | WASHER, SPRING M8 | 4 | | |
| 19-11 | LM331--0703Z2 | BRACKET, WIRE | 1 | | |
| 19-12 | K0100080002 | NUT, M8 | 3 | | |
| 19-13 | K0000080202 | BOLT, M8-20 | 2 | | |
| 19-14 | LM331--0755Z0 | HOSE, NWP175-12-440 W/90DIG FITTING | 1 | | |
| 19-15 | LM331--0754Z0 | HOSE, CHARGE 9-550 | 1 | | |
| 19-16 | K0000080152 | BOLT, M8-15 | 1 | | |
| 19-17 | K5000080002 | WASHER, M8 | 2 | | |
| 19-18 | K4270030080 | CLIP, HARNESS 30 M8 | 1 | | |
| 19-19 | K3008000192-Y | ADAPTER, ODD SIZED 90 PF1/2*PF3/8 | 1 | | |
| 19-20 | K3241000220 | PUMP, PISTON PSV-16AHG-2 | 1 | | |
| 19-21 | K3105430470 | HOSE, WP210-12-3-470 | 1 | | |
| 19-22 | K3101411250 | HOSE, WP70-12-1-1250 | 1 | | |
| 19-23 | K3412000080 | FILTER, CARTRIDGE DT-04A-10X | 1 | | |
| 19-24 | K4231305000 | TUBE, HEAT-INSULATING CA30*500 | 1 | | |
| 19-25 | K1440000030 | GREASE NIPPLE, 67.5 TYPE B | 1 | | |
| 19-26 | K5011012202 | WASHER, SPCC 1-12-20 | 2 | | |
| 19-27 | LM331--0706Z8 | BOLT, CAM LEVER SHAFT | 1 | | |
| 19-28 | LM331--0705Z2 | LEVER, CAM NUTRAL | 1 | | |
| 19-29 | LM331--0707Z2 | COLLAR, STEPPED 10-20-6.5 | 1 | | |
| 19-30 | K0213100002 | WASHER, DISK SPRING 1H M10 | 1 | | |

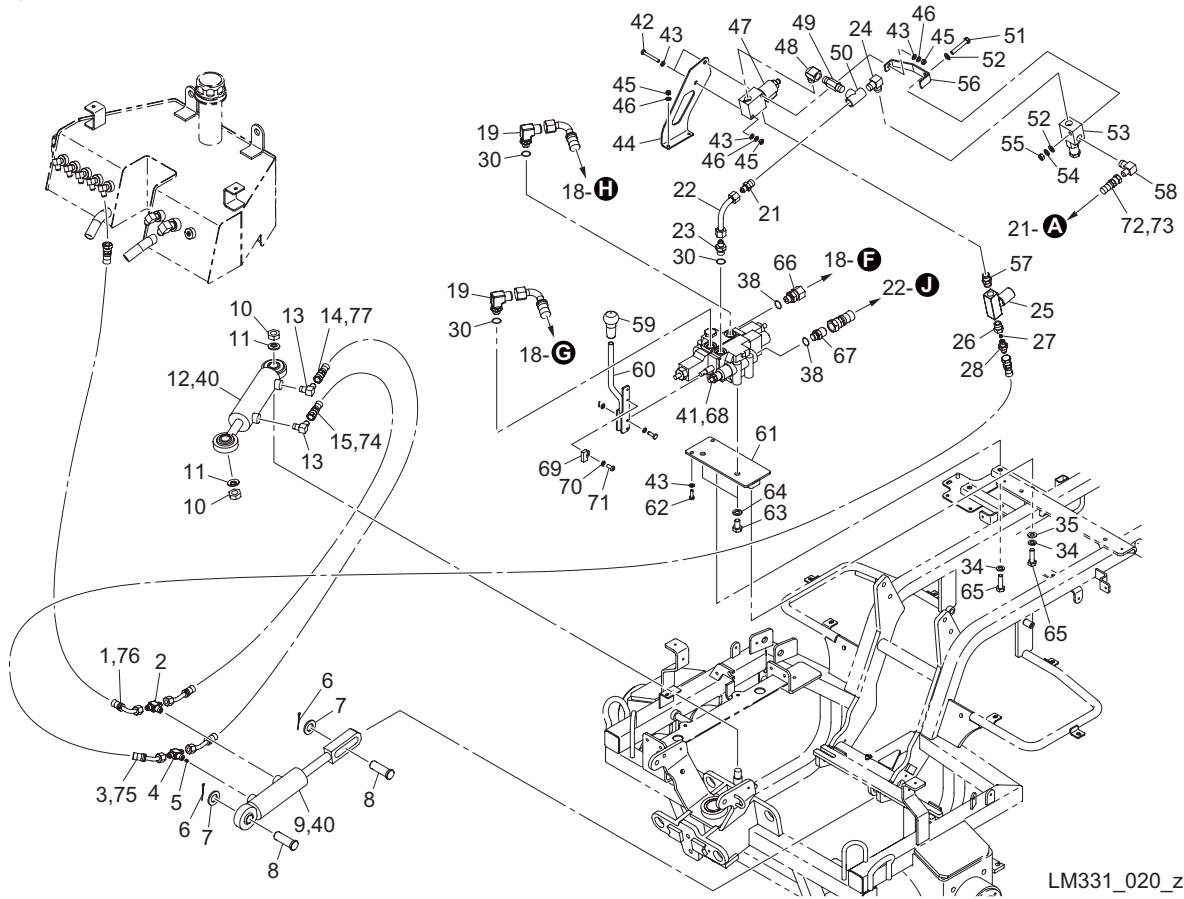
19. Hydraulic section C

LM331



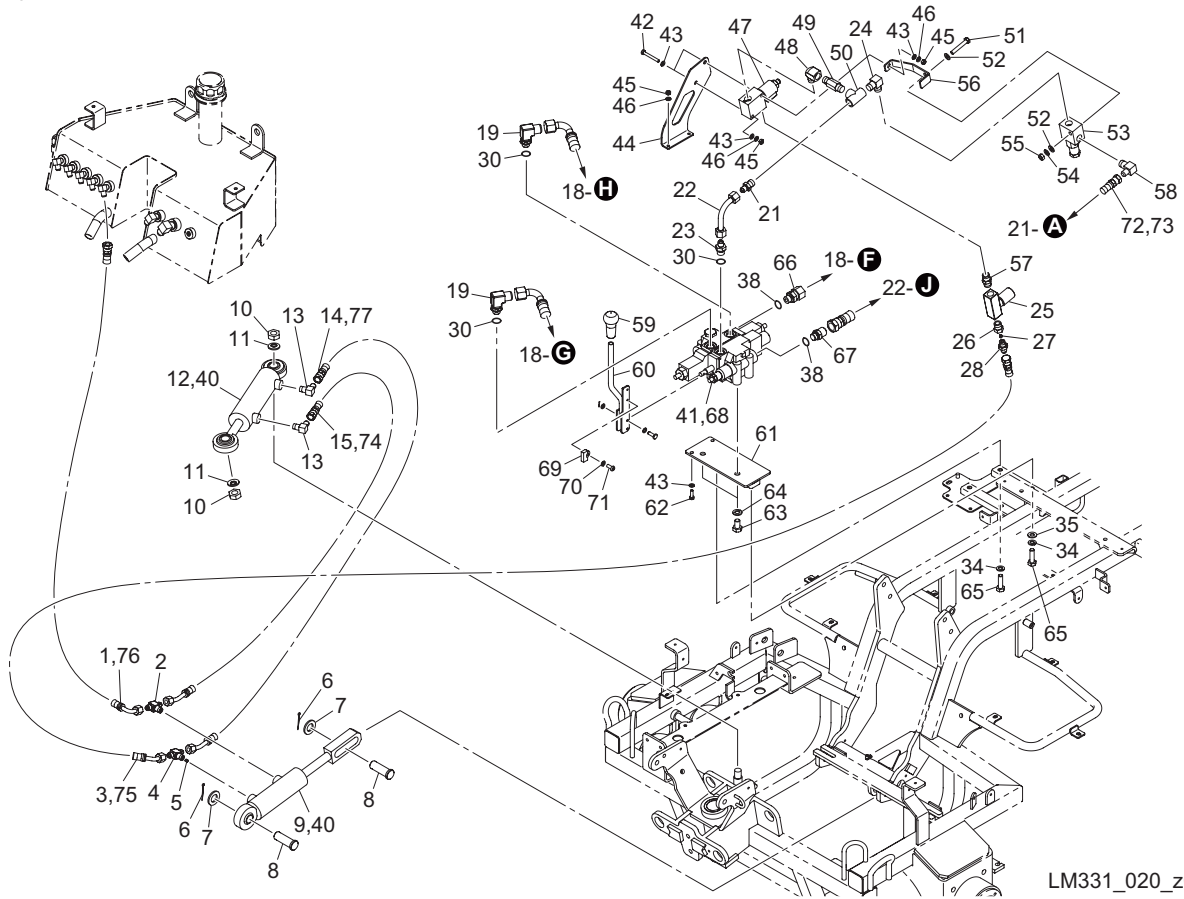
LM331_019_z03

| Cat No. | Code No. | Part name | Qty | Remark | SN of application |
|---------|-----------------|----------------------------------|-----|--------|-------------------|
| 19-31 | K5000100002 | WASHER, M10 | 4 | | |
| 19-32 | K0100100002 | NUT, M10 | 2 | | |
| 19-33 | K1000000048 | SPRING, COMPRESSION M3.2-16.9-60 | 1 | | |
| 19-34 | K0300025202 | PIN, COTTER M2.5-20 | 1 | | |
| 19-35 | K7303000092 | ADJUSTER, LEVER | 1 | | |
| 19-36 | K6031100258 | PIN, FLAT HEAD HT M10-25 | 1 | | |
| 19-37 | K0160000522 | NUT, SCREW SEAT | 1 | | |
| 19-38 | SP05---0413Z2-Y | ELBOW | 1 | | |
| 19-39 | K3001060002-Y | ELBOW, ADJUSTABLE 90 1086-12 | 1 | | |
| 19-40 | K3101211700 | HOSE, WP70-6-1-1700 | 1 | | |
| 19-41 | K0000060602 | BOLT, M6-60 | 2 | | |
| 19-42 | LM331--0756Z0 | HOSE, CHARGE 9-600 | 1 | | |
| 19-43 | K3006000022-Y | ELBOW, ODD SIZED PT1/2*PF3/8 | 1 | | |
| 19-44 | K3412000090 | FILTER, CARTRIDGE DTE-04A-10X | 1 | | |
| 19-45 | K4270035060 | CLIP, HARNESS 35 M6 | 1 | | |
| 19-46 | K0000060152 | BOLT, M6-15 | 1 | | |
| 19-47 | Y2063A-25176 | REPAIR KIT, PSV16C-2-GP | 1 | | |
| 19-48 | K3191004600 | TUBE, SPIRAL SP-15-460 | 1 | | |
| 19-49 | K3192002900 | TUBE, SPIRAL SP-20-290 | 1 | | |
| 19-50 | K3191004800 | TUBE, SPIRAL SP-15 480 | 1 | | |
| 19-51 | K3189015900 | TUBE, SPIRAL SP-10 1590 | 1 | | |
| 19-52 | K3192011200 | TUBE, SPIRAL SP-20 1120 | 1 | | |
| 19-53 | K3192005500 | TUBE, SPIRAL SP-20 550 | 1 | | |
| 19-54 | K3192003300 | TUBE, SPIRAL SP-20 330 | 1 | | |



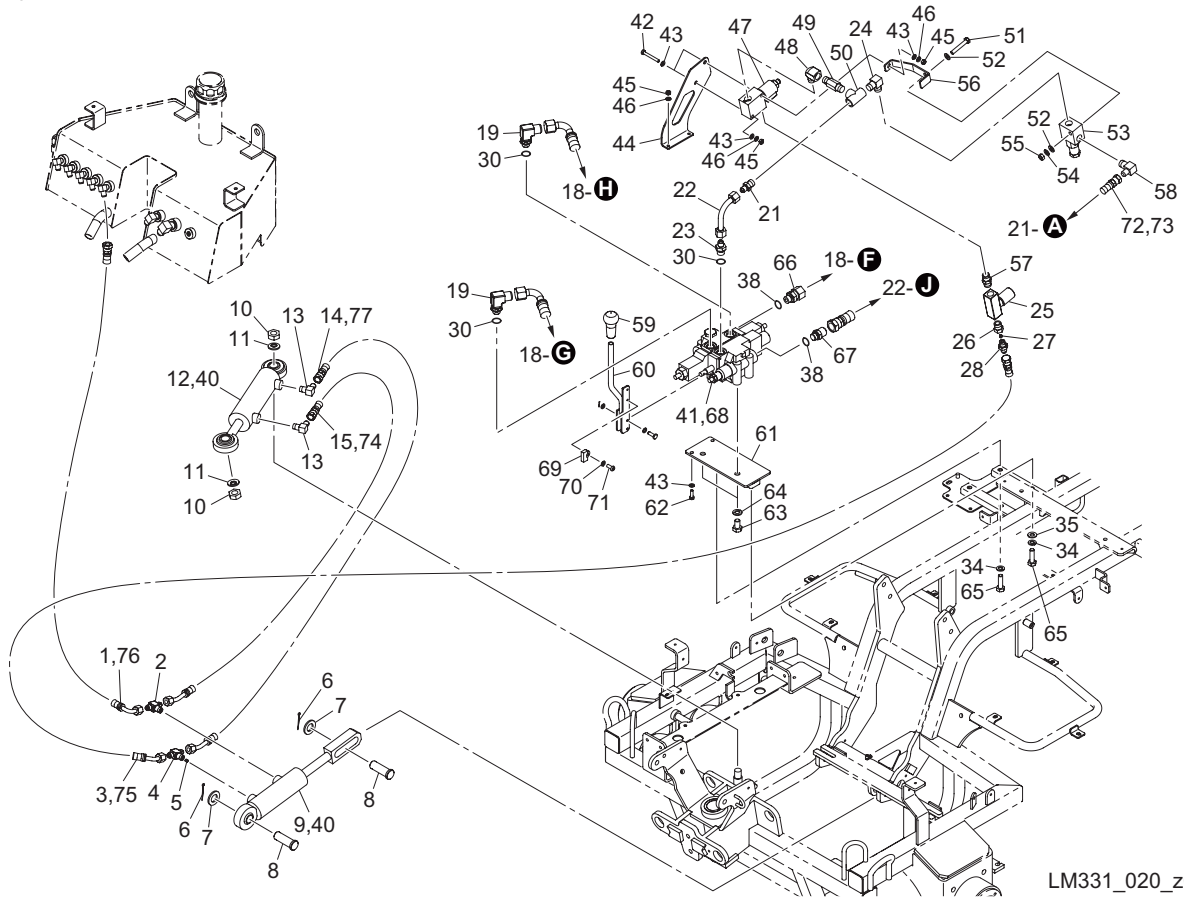
LM331_020_z04

| Cat No. | Code No. | Part name | Qty | Remark | SN of application |
|---------|-----------------|-----------------------------------|-----|--------|-------------------|
| 20-1 | K3103231750 | HOSE, WP140-6-3-1750 | 1 | | |
| 20-2 | K3029000352-Y | TEE, PT1/4*PF1/4 | 1 | | |
| 20-3 | K3103222200 | HOSE, WP140-6-2-2200 | 1 | | |
| 20-4 | K3029000391-Y | TEE, PT1/4*PF1/4M6 | 1 | | |
| 20-5 | K0023000081-Y | SETSCREW, M6-6-2.5 | 1 | | |
| 20-6 | K0300032402 | PIN, COTTER M3.2-40 | 2 | | |
| 20-7 | K5012320402 | WASHER, SPCC 2.3-20-40 | 2 | | |
| 20-8 | K6030200572 | PIN, FLAT HEAD M20-57 | 2 | | |
| 20-9 | K3224000010 | CYLINDER, 40-60 280+60 | 1 | | |
| 20-10 | K0144160002 | NUT, W/F-RING M16 | 2 | | |
| 20-11 | K0215160001 | WASHER, DISK SPRING 2H M16 | 2 | | |
| 20-12 | K3216000010 | CYLINDER, 45-110 270 | 1 | | |
| 20-13 | K3001060002-Y | ELBOW, 90 1033-6 | 2 | | |
| 20-14 | K3103210600 | HOSE, WP140-6-1-600 | 1 | | |
| 20-15 | K3103210650 | HOSE, WP140-6-1-650 | 1 | | |
| 20-16 | | | | | |
| 20-17 | | | | | |
| 20-18 | | | | | |
| 20-19 | K3008000192-Y | ADAPTER, ODD SIZED 90 PF1/2*PF3/8 | 2 | | |
| 20-20 | | | | | |
| 20-21 | K3026612061-Y | CONNECTOR, KCT 12-030E | 1 | | |
| 20-22 | LM331--0713Z2-Y | PIPE, CONNECTING STOP VALVE | 1 | | |
| 20-23 | K3026312061-Y | CONNECTOR, KCO 12-030E | 1 | | |
| 20-24 | K3006000072-Y | ELBOW, PT3/8 | 1 | | |
| 20-25 | K3332000030 | VALVE, SLOW RETURN HT728-03-86 | 1 | | |
| 20-26 | K3020060401-Y | BUSHING, BUT 3/8*1/4 | 1 | | |
| 20-27 | K0023000061-Y | SETSCREW, M6-6-1.6 | 1 | | |
| 20-28 | K3009000272-Y | ADAPTER, 1013-6M6 | 1 | | |
| 20-29 | | | | | |
| 20-30 | K0881014000 | O-RING, P14B | 3 | | |



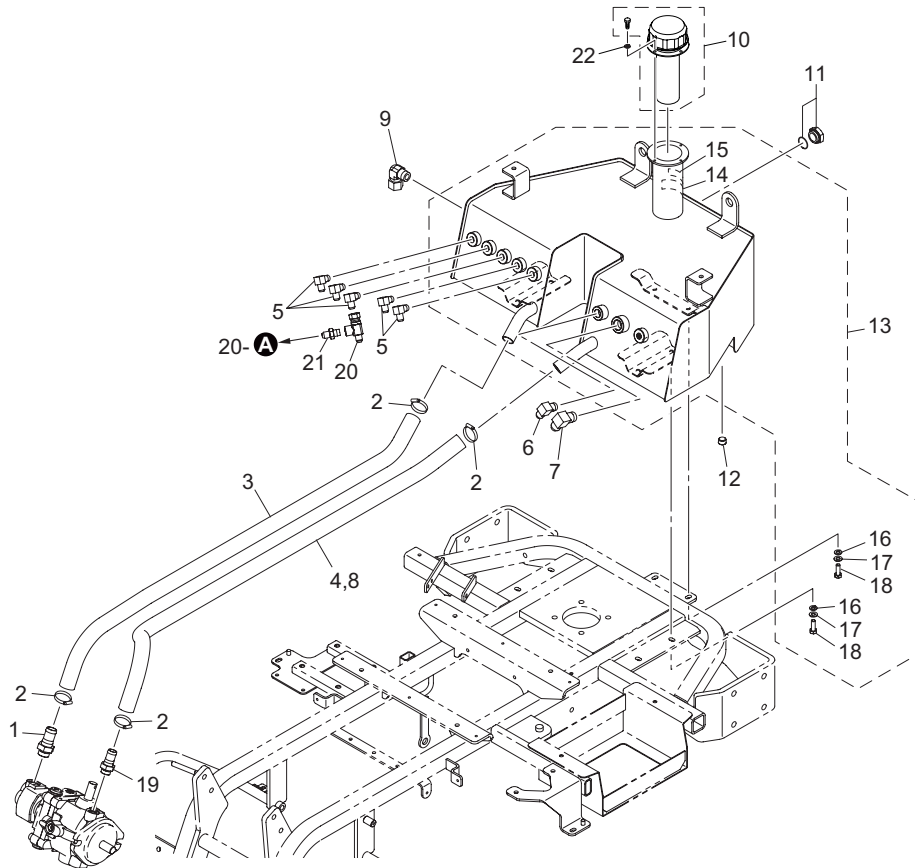
LM331_020_z04

| Cat No. | Code No. | Part name | Qty | Remark | SN of application |
|---------|----------------|----------------------------------|-----|--------|-------------------|
| 20-31 | | | | | |
| 20-32 | | | | | |
| 20-33 | | | | | |
| 20-34 | K0200100002 | WASHER, SPRING M10 | 4 | | |
| 20-35 | K5000100002 | WASHER, M10 | 2 | | |
| 20-36 | | | | | |
| 20-37 | | | | | |
| 20-38 | K0881018000 | O-RING, P18B | 2 | | |
| 20-39 | | | | | |
| 20-40 | K3216000010-SK | SEAL KIT | 2 | | |
| 20-41 | K3303000050-SK | SEAL KIT, D50603090-1 | 1 | | |
| 20-42 | K0000060502 | BOLT, M6-50 | 2 | | |
| 20-43 | K5000060002 | WASHER, M6 | 6 | | |
| 20-44 | LM331--0785Z2 | BRACKET, VALVE OF MAGNETIC CHUCK | 1 | | |
| 20-45 | K0100060002 | NUT, M6 | 4 | | |
| 20-46 | K0200060002 | WASHER, SPRING M6 | 4 | | |
| 20-47 | K3313000040 | VALVE, SOLENOID V4029 | 1 | | |
| 20-48 | K3022060002-Y | ELBOW, FEMALE-MALE STEPT3/8 | 1 | | |
| 20-49 | K3029000182-Y | NIPPLE, LONG PT3/8 | 1 | | |
| 20-50 | K3024000042-Y | JOINT, CAST IRON PT3/8*PF3/8 | 1 | | |
| 20-51 | K0000080502 | BOLT, M8-50 | 1 | | |
| 20-52 | K5000080002 | WASHER, M8 | 2 | | |
| 20-53 | K3315000050 | VALVE, RELIEF | 1 | | |
| 20-54 | K0200080002 | WASHER, SPRING M8 | 1 | | |
| 20-55 | K0100080000 | NUT, M8 | 1 | | |
| 20-56 | LM331--0786A2 | BRACKET, RELIEF VALVE | 1 | | |
| 20-57 | K3023060001-Y | NIPPLE, NS PT3/8 | 1 | | |
| 20-58 | K3006000012-Y | ELBOW, ODD SIZED PT3/8*PF1/4 | 1 | | |
| 20-59 | K1300000030 | GRIP, RUBBER BLACK 11-36 | 1 | | |
| 20-60 | LM331--0783A2 | LEVER, LIFTING | 1 | | |



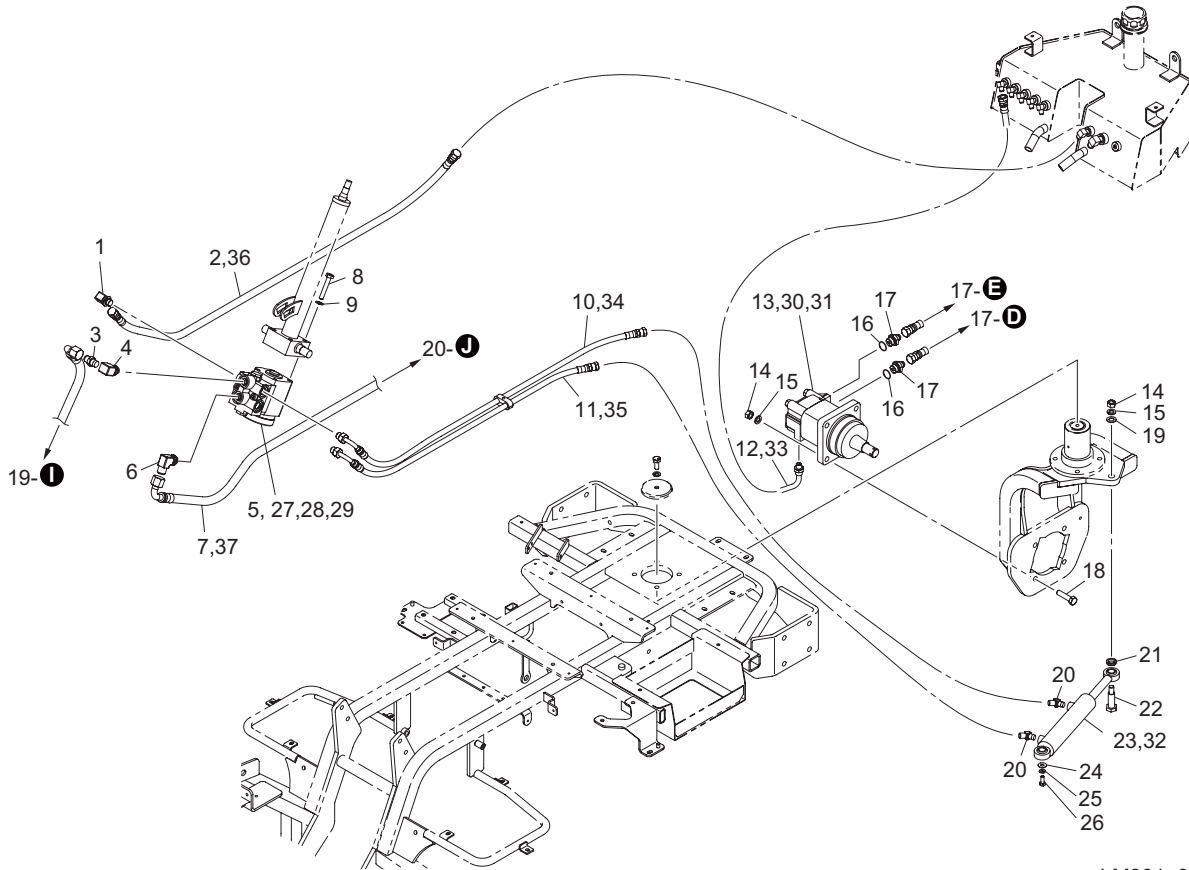
LM331_020_z04

| Cat No. | Code No. | Part name | Qty | Remark | SN of application |
|---------|---------------|---------------------------|-----|--------|-------------------|
| 20-61 | LM331--0784ZD | BRACKET, STACKED VALVE | 1 | | |
| 20-62 | K0000060202 | BOLT, M6-20 | 2 | | |
| 20-63 | K0000120202 | BOLT, M12-20 | 2 | | |
| 20-64 | K0200120002 | WASHER, SPRING M12 | 2 | | |
| 20-65 | K0000100352 | BOLT, M10-35 | 2 | | |
| 20-66 | K3026315061-Y | CONNECTOR, KCO 15-030E | 1 | | |
| 20-67 | K3009000172-Y | ADAPTER, PF3/8*PF1/2 | 1 | | |
| 20-68 | K3303000060 | VALVE, MULTI DOUBLE | 1 | | |
| 20-69 | K1510000110 | MAGNET, W/PLASTIC BASE | 1 | | |
| 20-70 | K0200050002 | WASHER, SPRING M5 | 1 | | |
| 20-71 | K0042050122 | SCREW, + ROUND HEAD M5-12 | 1 | | |
| 20-72 | K3100210450 | HOSE, WP35-6-1-450 | 1 | | |
| 20-73 | K3189003400 | TUBE, SPIRAL SP-10 340 | 1 | | |
| 20-74 | K3189005400 | TUBE, SPIRAL SP-10 540 | 1 | | |
| 20-75 | K3189020700 | TUBE, SPIRAL SP-10 2070 | 1 | | |
| 20-76 | K3189016400 | TUBE, SPIRAL SP-10 1640 | 1 | | |
| 20-77 | K3189004900 | TUBE, SPIRAL SP-10 490 | 1 | | |
| | | | | | |
| | | | | | |



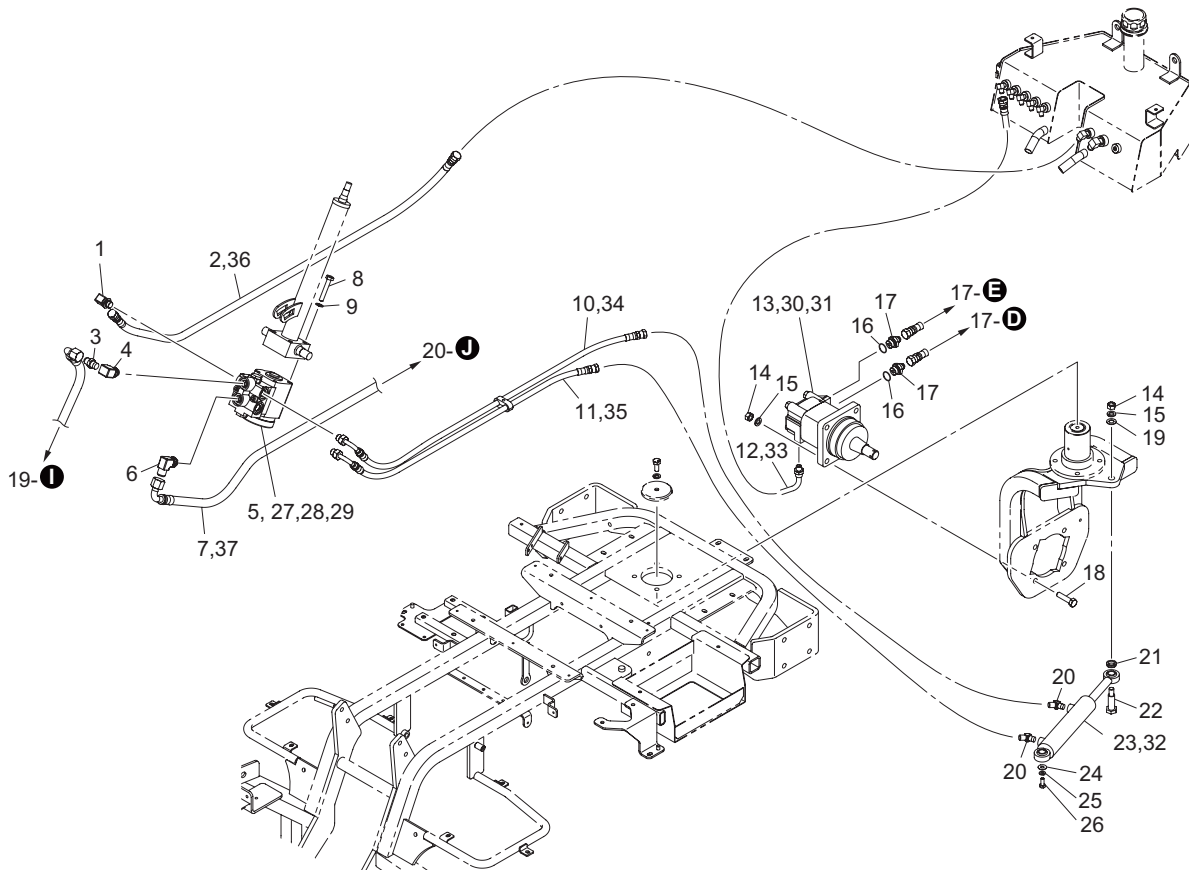
LM331_021_z02

| Cat No. | Code No. | Part name | Qty | Remark | SN of application |
|---------|---------------|---------------------------------|-----|--------|-------------------|
| 21-1 | K3009000302-Y | CONNECTOR, HOSE 25 | 1 | | |
| 21-2 | K4260000200 | CLAMP, HOSE JUBILEE BAND 2A | 4 | | |
| 21-3 | K3149011150 | HOSE, S-25-1150 | 1 | | |
| 21-4 | K3149011250 | HOSE, S-25-1250 | 1 | | |
| 21-5 | K3001060002-Y | ELBOW, 90 1033-6 | 5 | | |
| 21-6 | K3001090002-Y | ELBOW, 90 1033-9 | 1 | | |
| 21-7 | K3001120002-Y | ELBOW, 90 1033-12 | 1 | | |
| 21-8 | K3172503000 | HOSE, VINYL 38*44-300 | 1 | | |
| 21-9 | K3028015081-Y | ELBOW, KLN 15-040E | 1 | | |
| 21-10 | K3400000020 | BREATHER, REFUELING HOLE FA-50 | 1 | | |
| 21-11 | K1400000044-Y | GAUGE, OIL PF3/4 TYPE M | 1 | | |
| 21-12 | K1422106001-Y | PLUG, TAPERED W/HEX HOLE T1 3/8 | 1 | | |
| 21-13 | LM331--0782Z0 | TANK COMP, HYDRAULIC | 1 | | |
| 21-14 | K4209000980 | DECAL, HYDRAULIC OIL | 1 | | |
| 21-15 | K4205001920 | DECAL, CAUTION HOT PARTS | 1 | | |
| 21-16 | K0200080002 | WASHER, SPRING M8 | 6 | | |
| 21-17 | K5000080002 | WASHER, M8 | 6 | | |
| 21-18 | K0000080252 | BOLT, M8-25 | 6 | | |
| 21-19 | K3009000322-Y | CONNECTOR, HOSE 25-1/2 | 1 | | |
| 21-20 | K3090000312-Y | CONNECTION, BRANCH 1/4 | 1 | | |
| 21-21 | K3000060002-Y | ADAPTER, 1013-6 | 1 | | |
| 21-22 | K0200050002 | WASHER, SPRING M5 | 4 | | |
| | | | | | |



LM331_022_z02

| Cat No. | Code No. | Part name | Qty | Remark | SN of application |
|---------|---------------|--|-----|--------|-------------------|
| 22-1 | K3008000032-Y | ELBOW, ADJUSTABLE 90 1086-9 | 1 | | |
| 22-2 | K3101311250 | HOSE, WP70-9-1-1250 | 1 | | |
| 22-3 | K3009000192-Y | ADAPTER, PT3/8*PF1/2 | 1 | | |
| 22-4 | K3008000072-Y | ELBOW, ADJUSTABLE 90 1125-9 | 1 | | |
| 22-5 | K3294000040 | STEERING CNTL UNIT, ORBITROL W/VD5XMED | 1 | | |
| 22-6 | K3008000192-Y | ADAPTER, ODD SIZED 90 PF1/2*PF3/8 | 1 | | |
| 22-7 | K3104431600 | HOSE, WP175-12-3-1600 | 1 | | |
| 22-8 | K0000100602 | BOLT, M10-60 | 4 | | |
| 22-9 | K0200100002 | WASHER, SPRING M10 | 4 | | |
| 22-10 | LM331--0758Z0 | HOSE, STEERING 1100 | 1 | | |
| 22-11 | LM331--0759Z0 | HOSE, STEERING 950 | 1 | | |
| 22-12 | LM331--0757Z0 | HOSE, NWP35-6-1500 | 1 | | |
| 22-13 | K3291000190 | MOTOR, WHEEL 2-200BS4S | 1 | | |
| 22-14 | K0100120002 | NUT, M12 | 5 | | |
| 22-15 | K0200120002 | WASHER, SPRING M12 | 5 | | |
| 22-16 | K0881018000 | O-RING, P18B | 2 | | |
| 22-17 | K3009000022-Y | ADAPTER, PF1/2*PF3/8 | 2 | | |
| 22-18 | K0000120502 | BOLT, M12-50 | 4 | | |
| 22-19 | K5000120002 | WASHER, M12 | 1 | | |
| 22-20 | K3003060002-Y | ELBOW, 45 1035-6 | 2 | | |
| 22-21 | K6212000242 | COLLAR, STKM M16-25-5.5 | 1 | | |
| 22-22 | LM331--0722Z2 | BOLT, STEPPED M12 | 1 | | |
| 22-23 | K3213000350 | CYLINDER, DOUBLE ACTING 35-140-312 | 1 | | |
| 22-24 | K5012308242 | WASHER, SPCC 2.3-8-24 | 1 | | |
| 22-25 | K0200080002 | WASHER, SPRING M8 | 1 | | |
| 22-26 | K0000080202 | BOLT, M8-20 | 1 | | |
| 22-27 | YBA0272A | SEAL KIT, ORBITROL UAS070A08B2D | 1 | | |
| 22-28 | Y64009 | BEARING KIT, NEEDLE | 1 | | |
| 22-29 | YBA0056A | SEAL KIT, ORBITROL UBS070A08B2D | 1 | | |
| 22-30 | Y61091S | SEAL KIT, ORBIT MOTOR 2000 (SHAFT) | 1 | | |

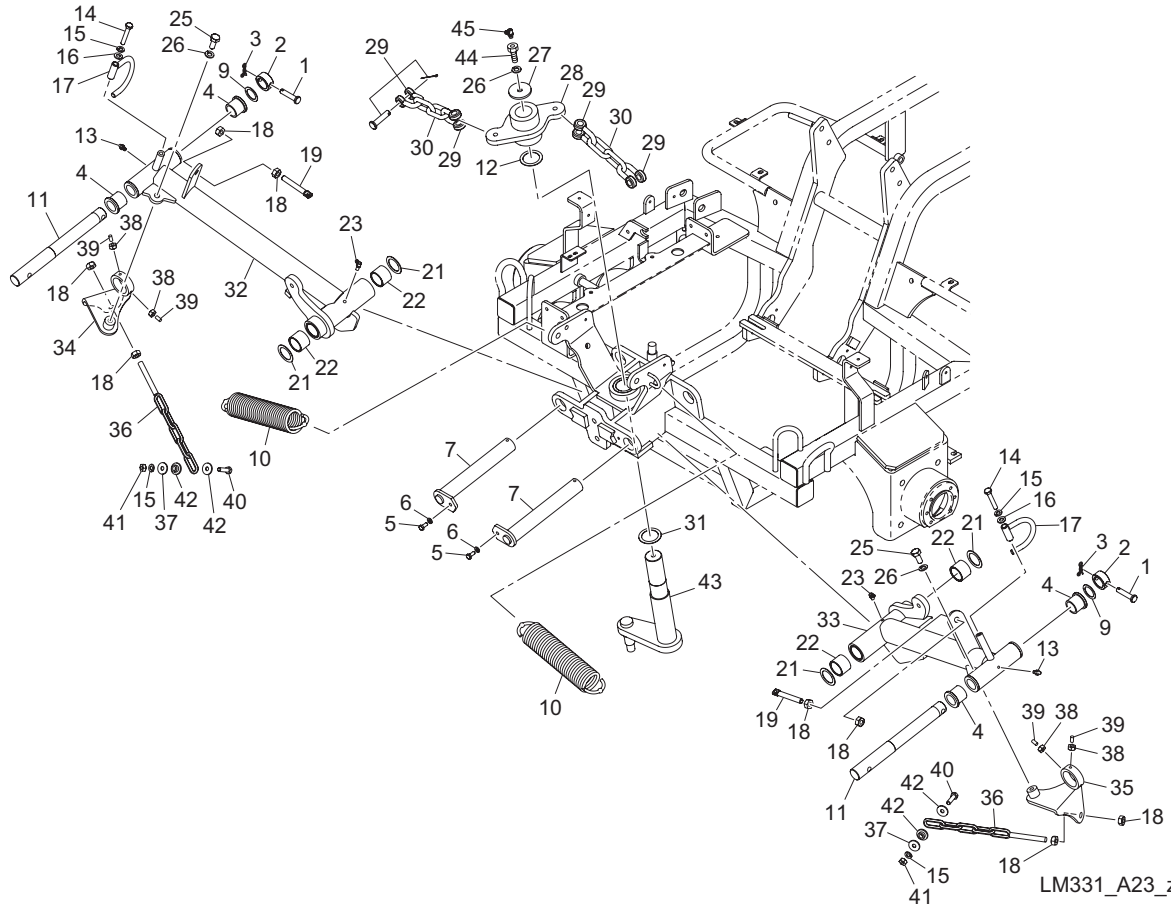


LM331_022_z02

| Cat No. | Code No. | Part name | Qty | Remark | SN of application |
|---------|-------------|-----------------------------------|-----|--------|-------------------|
| 22-31 | Y61090S | SEAL KIT, ORBIT MOTOR 2000 (REAR) | 1 | | |
| 22-32 | YIS-35A-SK | SEAL KIT, CYLINDER | 1 | | |
| 22-33 | K3189013900 | TUBE, SPIRAL SP-10 1390 | 1 | | |
| 22-34 | K3189009900 | TUBE, SPIRAL SP-10 990 | 1 | | |
| 22-35 | K3189008400 | TUBE, SPIRAL SP-10 840 | 1 | | |
| 22-36 | K3191011300 | TUBE, SPIRAL SP-15 1130 | 1 | | |
| 22-37 | K3192014800 | TUBE, SPIRAL SP-20 1480 | 1 | | |
| | | | | | |
| | | | | | |
| | | | | | |
| | | | | | |
| | | | | | |

A23.Lift arm section A for MC mower unit

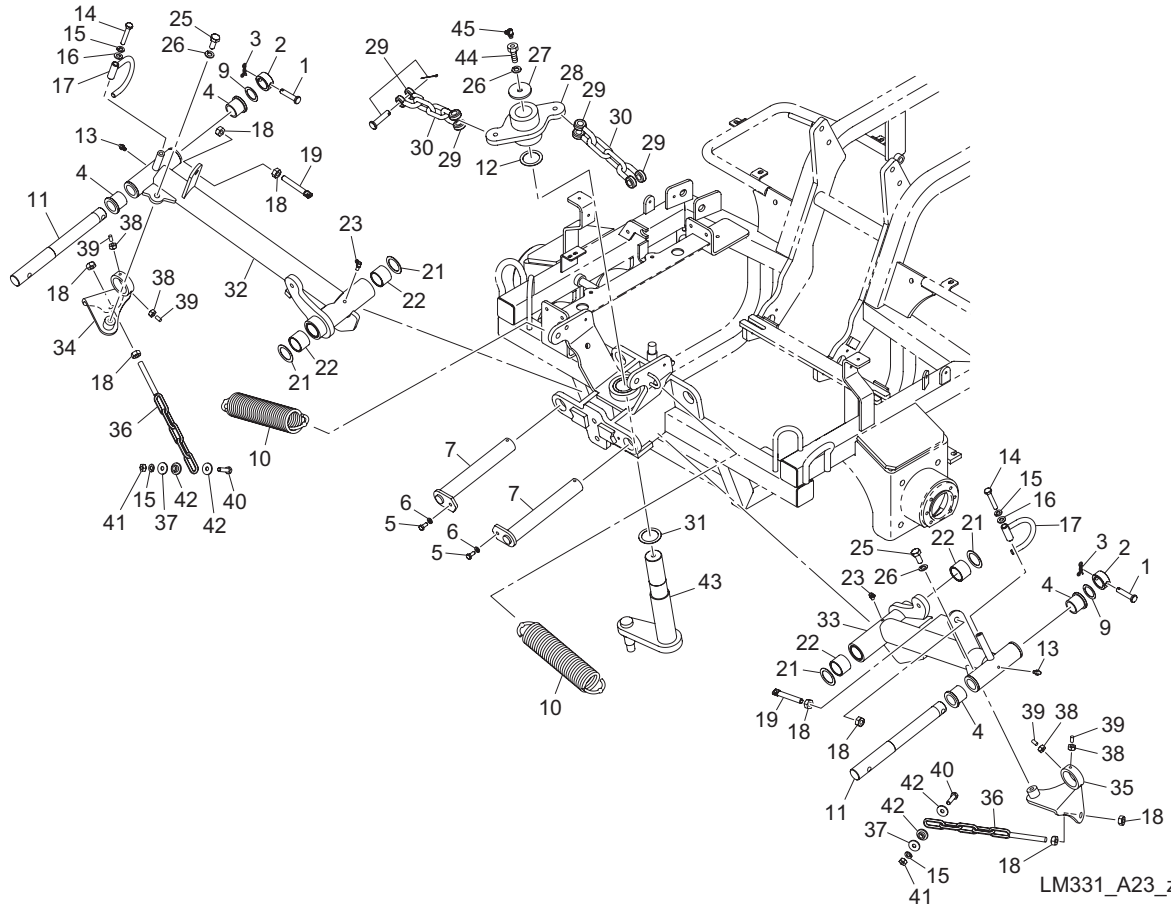
LM331



| Cat No. | Code No. | Part name | Qty | Remark | SN of application |
|---------|---------------|---------------------------------|-----|----------------|-------------------|
| A23-1 | K6031090458 | PIN, FLAT HEAD HT M9.6-45.5 | 2 | | |
| A23-2 | K6215000412 | COLLAR, STKM W/HOLE M25.5-36-16 | 2 | | |
| A23-3 | K0341000002 | PIN, SNAP W/RETAINER M10 | 2 | | |
| A23-4 | K6010000150 | BUSH, FLANGED 25-32-30 | 4 | | |
| A23-5 | K0000060152 | BOLT, M6-15 | 2 | | |
| A23-6 | K0200060002 | WASHER, SPRING M6 | 2 | | |
| A23-7 | LM331--0205Z2 | SHAFT, FRONT LIFT ARM | 2 | | |
| A23-8 | | | | | |
| A23-9 | K5011025372 | WASHER, SPCC 1-25.4-37 | 0-2 | for adjustment | |
| A23-10 | K1030000178 | SPRING, W/U HOOK M6-51-235 | 2 | | |
| A23-11 | LM2700-0202Z0 | SHAFT | 2 | | |
| A23-12 | K5051035470 | WASHER, C5191P 1-35-47 | 1 | | |
| A23-13 | K1440000010 | GREASE NIPPLE, STRAIGHT TYPE A | 2 | | |
| A23-14 | K0000080502 | BOLT, M8-50 | 2 | | |
| A23-15 | K0200080002 | WASHER, SPRING M8 | 4 | | |
| A23-16 | K5000080002 | WASHER, M8 | 2 | | |
| A23-17 | LM331--0213Z2 | GUIDE, HOSE | 2 | | |
| A23-18 | K0100100002 | NUT, M10 | 6 | | |
| A23-19 | K6122000312 | BOLT, ADJUSTING M10-80 | 2 | | |
| A23-20 | | | | | |
| A23-21 | K5051030420 | WASHER, C5191P 1-30-42 | 4 | | |
| A23-22 | K6000000080 | BUSH, COPPER 30-36-30 | 4 | | |
| A23-23 | K1440000020 | GREASE NIPPLE, 90 TYPE C | 2 | | |
| A23-24 | | | | | |
| A23-25 | | | | | |
| A23-26 | K0200100002 | WASHER, SPRING M10 | 3 | | |
| A23-27 | K5074510422 | WASHER, SPHC 4.5-10-42 | 1 | | |
| A23-28 | LM331--0242A2 | LEVER, MOWER LIFT CAM | 1 | | |
| A23-29 | K0411000002 | SHACKLES, M10 | 4 | | |
| A23-30 | K4534000032 | CHAINS, SIDE LINK A9-2 LINKS | 2 | | |

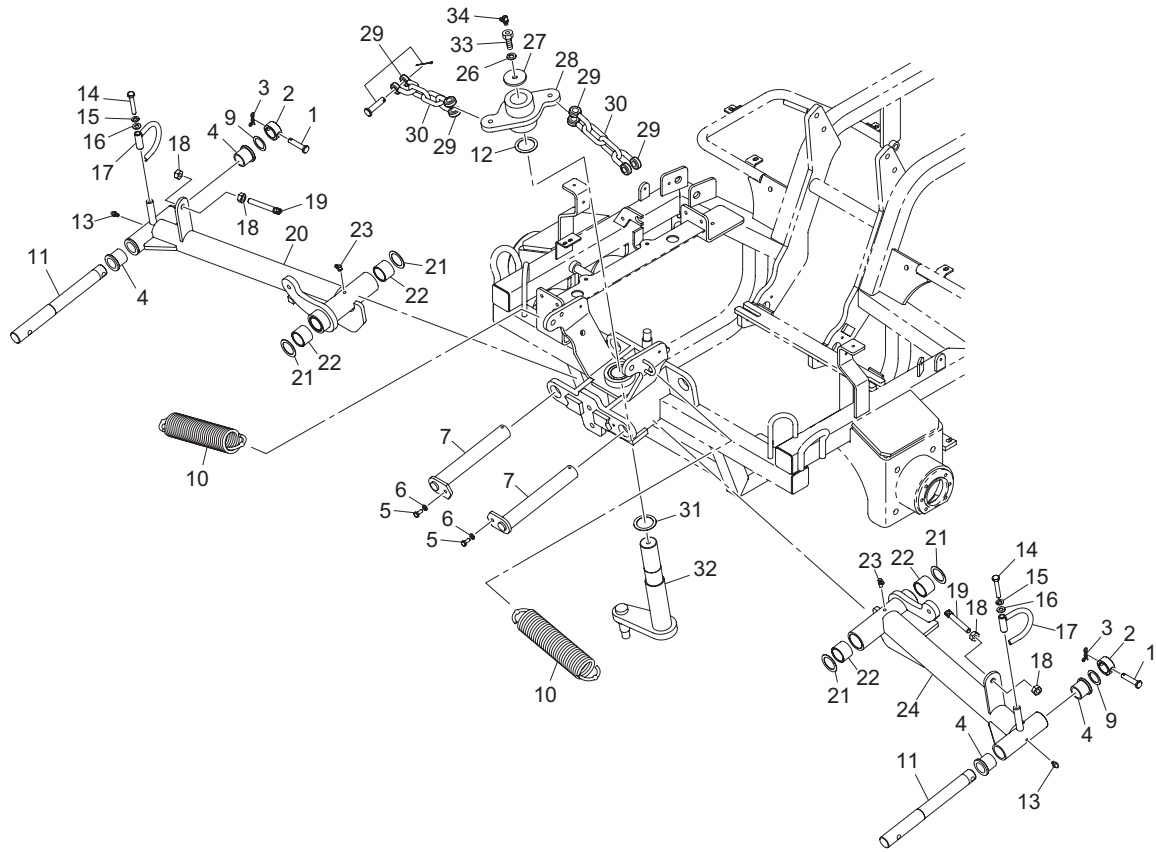
A23.Lift arm section A for MC mower unit

LM331



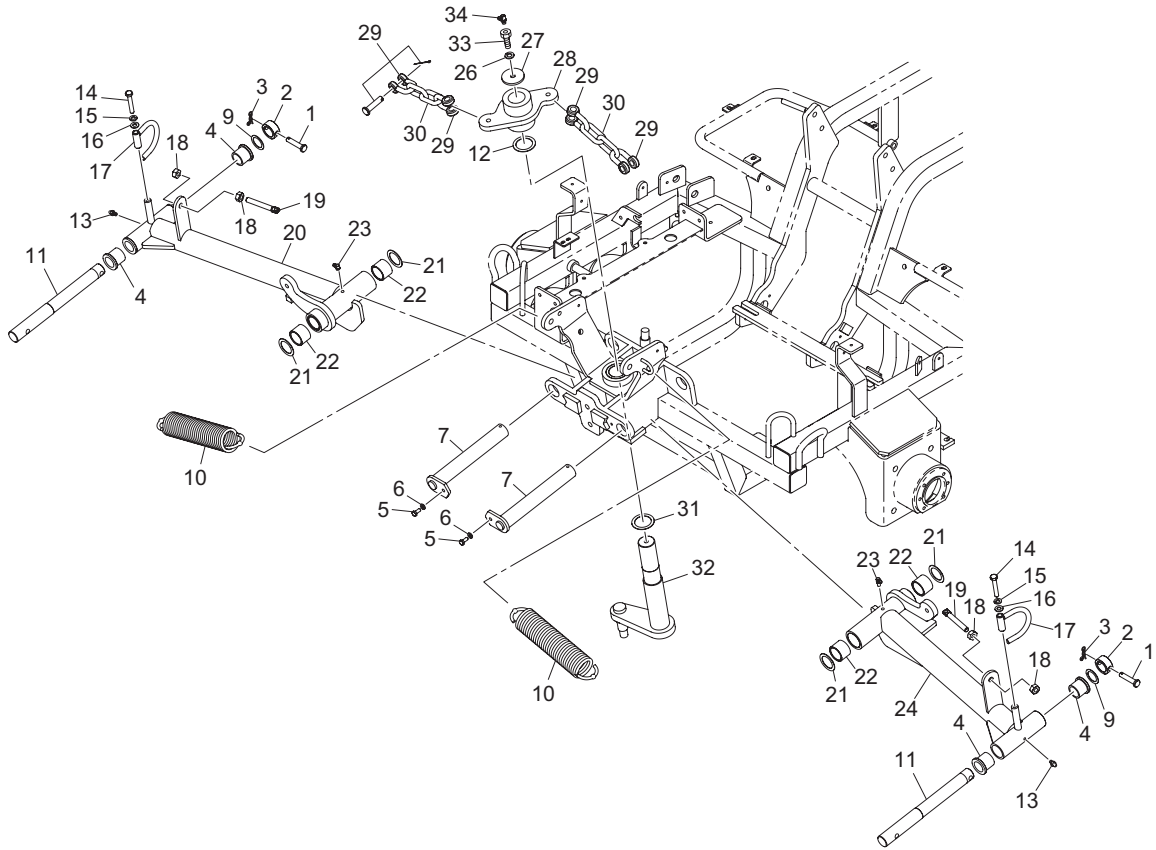
LM331_A23_z01

| Cat No. | Code No. | Part name | Qty | Remark | SN of application |
|---------|---------------|--------------------------------|-----|--------|-------------------|
| A23-31 | K5051040520 | WASHER, C5191P 1-40-52 | 1 | | |
| A23-32 | LM331--0262ZD | ARM, FRONT LIFT (RH) | 1 | | |
| A23-33 | LM331--0261ZD | ARM, FRONT LIFT (LH) | 1 | | |
| A23-34 | LM331--0252Z2 | BRACKET, CONNECTING CHAIN (RH) | 1 | | |
| A23-35 | LM331--0251Z2 | BRACKET, CONNECTING CHAIN (LH) | 1 | | |
| A23-36 | LM331--0253Z2 | CHAIN, W/M10 SCREW SHAFT | 2 | | |
| A23-37 | LM331--0254Z2 | COLLAR, STEPPED | 2 | | |
| A23-38 | K0100060002 | NUT, M6 | 4 | | |
| A23-39 | K0023060151 | SETSCREW, M6-15 | 4 | | |
| A23-40 | K0010080302 | BOLT, HT M8-30 | 2 | | |
| A23-41 | K0100080002 | NUT, M8 | 2 | | |
| A23-42 | K5012308242 | WASHER, SPCC 2.3-8-24 | 4 | | |
| A23-43 | LM331--0241AD | LEVER, LIFTING MOWER | 1 | | |
| A23-44 | K0071001202 | BOLT, M10-25 W/ NIPPLE HOLE | 1 | | |
| A23-45 | K1440000030 | GREASE NIPPLE, 67.5 TYPE B | 1 | | |
| | | | | | |
| | | | | | |
| | | | | | |



LM331_B23_z01

| Cat No. | Code No. | Part name | Qty | Remark | SN of application |
|---------|---------------|---------------------------------|-----|----------------|-------------------|
| B23-1 | K6031090458 | PIN, FLAT HEAD HT M9.6-45.5 | 2 | | |
| B23-2 | K6215000412 | COLLAR, STKM W/HOLE M25.5-36-16 | 2 | | |
| B23-3 | K0341000002 | PIN, SNAP W/RETAINER M10 | 2 | | |
| B23-4 | K6010000150 | BUSH, FLANGED 25-32-30 | 4 | | |
| B23-5 | K0000060152 | BOLT, M6-15 | 2 | | |
| B23-6 | K0200060002 | WASHER, SPRING M6 | 2 | | |
| B23-7 | LM331--0205Z2 | SHAFT, FRONT LIFT ARM | 2 | | |
| B23-8 | | | | | |
| B23-9 | K5011025372 | WASHER, SPCC 1-25.4-37 | 0-2 | for adjustment | |
| B23-10 | K1030000178 | SPRING, W/U HOOK M6-51-235 | 2 | | |
| B23-11 | LM2700-0202Z0 | SHAFT | 2 | | |
| B23-12 | K5051035470 | WASHER, C5191P 1-35-47 | 1 | | |
| B23-13 | K1440000010 | GREASE NIPPLE, STRAIGHT TYPE A | 2 | | |
| B23-14 | K0000080502 | BOLT, M8-50 | 2 | | |
| B23-15 | K0200080002 | WASHER, SPRING M8 | 2 | | |
| B23-16 | K5000080002 | WASHER, M8 | 2 | | |
| B23-17 | LM331--0213Z2 | GUIDE, HOSE | 2 | | |
| B23-18 | K0100100002 | NUT, M10 | 4 | | |
| B23-19 | K6122000312 | BOLT, ADJUSTING M10-80 | 2 | | |
| B23-20 | LM331--0204ZD | ARM, FRONT LIFT (RH) | 1 | | |
| B23-21 | K5051030420 | WASHER, C5191P 1-30-42 | 4 | | |
| B23-22 | K6000000080 | BUSH, COPPER 30-36-30 | 4 | | |
| B23-23 | K1440000020 | GREASE NIPPLE, 90 TYPE C | 2 | | |
| B23-24 | LM331--0202ZD | ARM, FRONT LIFT (LH) | 1 | | |
| B23-25 | | | | | |
| B23-26 | K0200100002 | WASHER, SPRING M10 | 1 | | |
| B23-27 | K5074510422 | WASHER, SPHC 4.5-10-42 | 1 | | |
| B23-28 | LM331--0242A2 | LEVER, MOWER LIFT CAM | 1 | | |
| B23-29 | K0411000002 | SHACKLES, M10 | 4 | | |
| B23-30 | K4534000032 | CHAINS, SIDE LINK A9-2 LINKS | 2 | | |

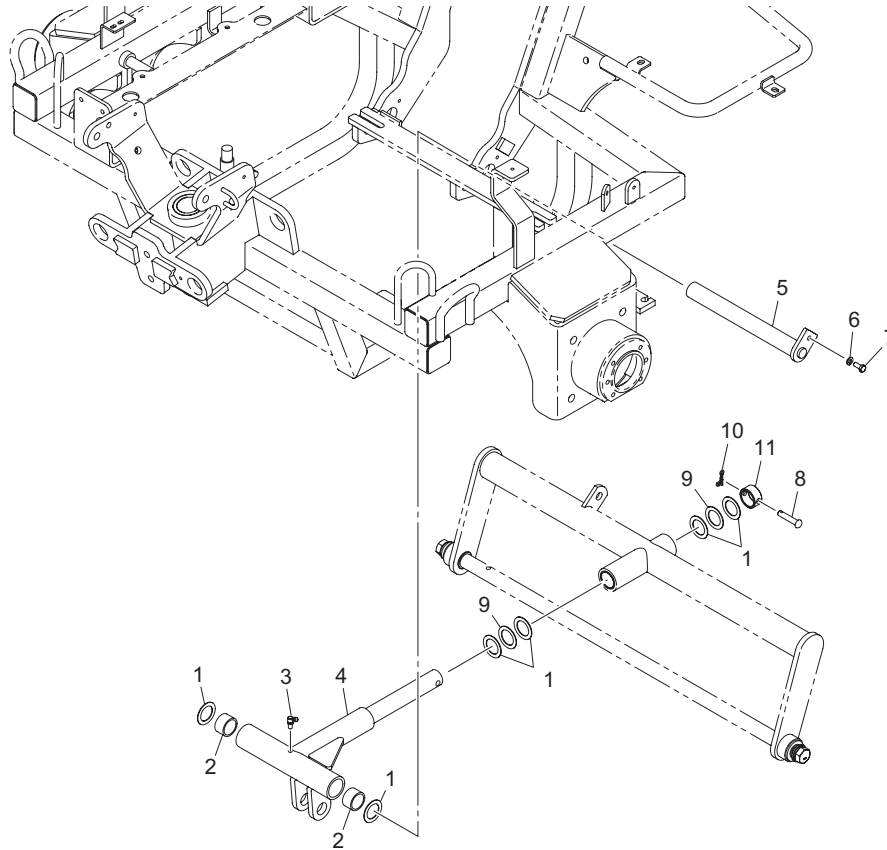


LM331_B23_z01

| Cat No. | Code No. | Part name | Qty | Remark | SN of application |
|---------|---------------|-----------------------------|-----|--------|-------------------|
| B23-31 | K5051040520 | WASHER, C5191P 1-40-52 | 1 | | |
| B23-32 | LM331--0241AD | LEVER, LIFTING MOWER | 1 | | |
| B23-33 | K0071001202 | BOLT, M10-25 W/ NIPPLE HOLE | 1 | | |
| B23-34 | K1440000030 | GREASE NIPPLE, 67.5 TYPE B | 1 | | |
| | | | | | |
| | | | | | |
| | | | | | |
| | | | | | |
| | | | | | |
| | | | | | |

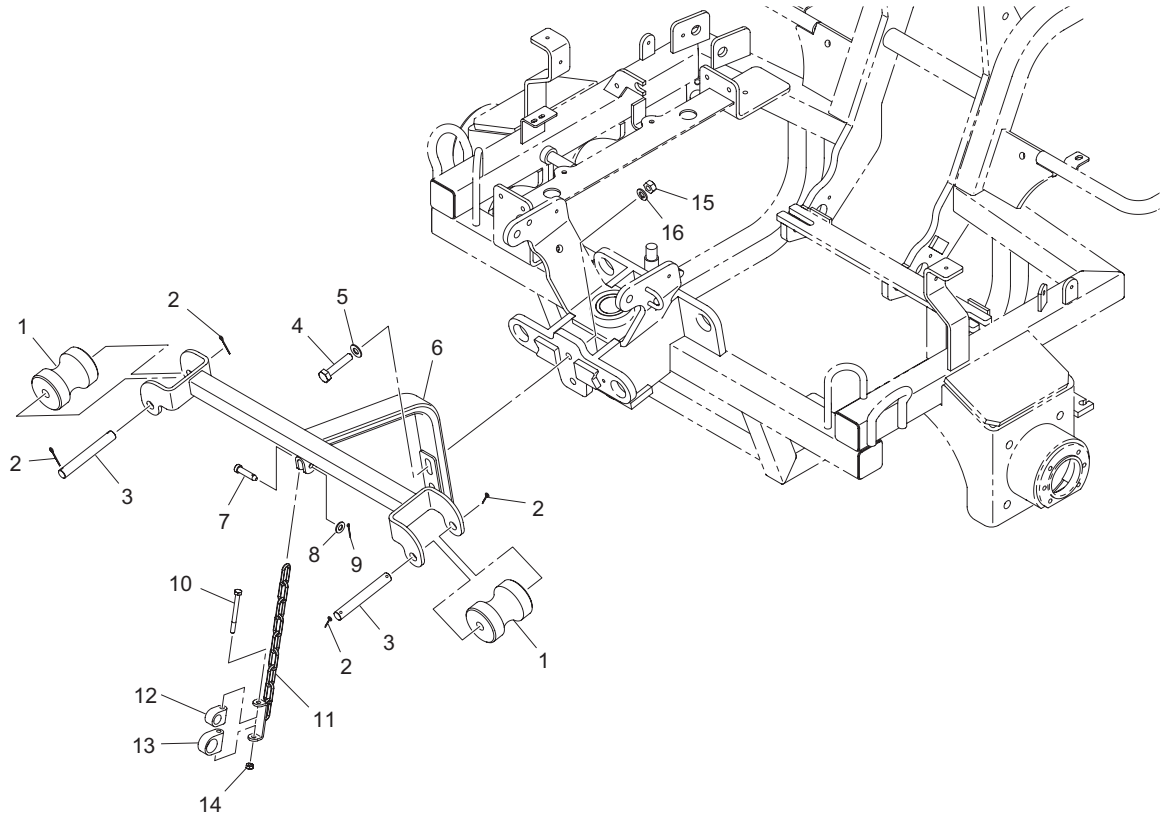
24.Lift arm section C

LM331



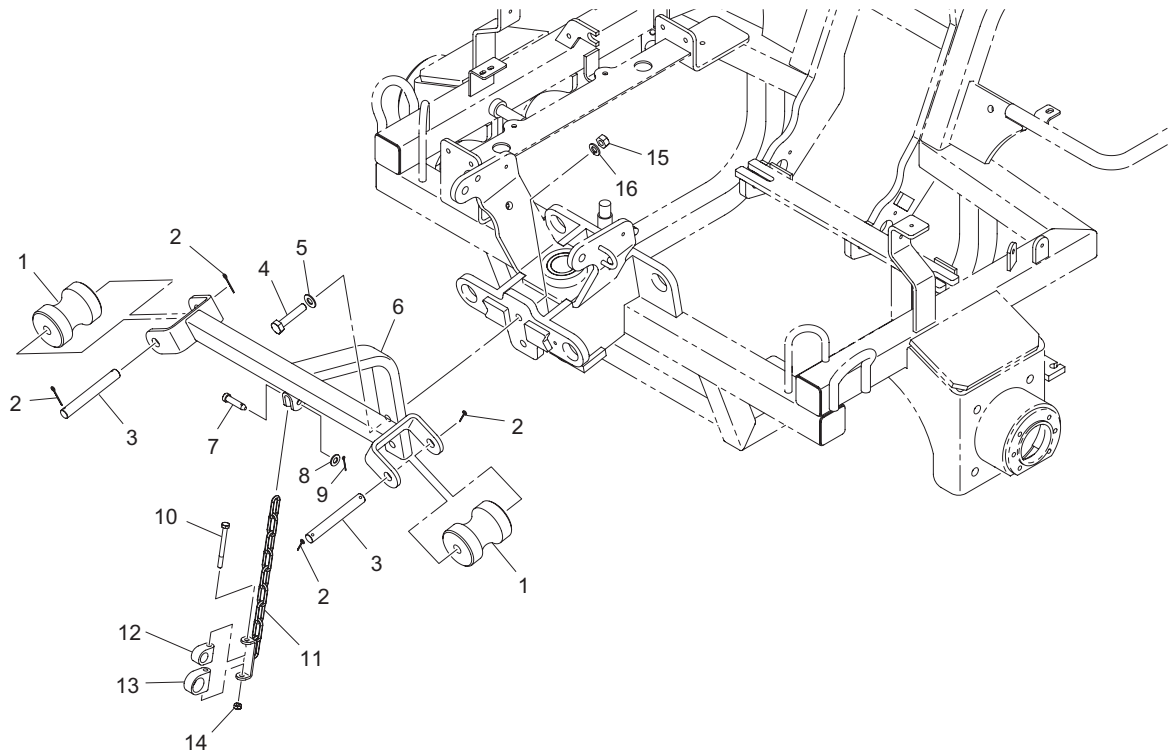
LM331_024_z00

| Cat No. | Code No. | Part name | Qty | Remark | SN of application |
|---------|---------------|-------------------------------|-----|--------|-------------------|
| 24-1 | K5051025370 | WASHER, C5191P 1-25.4-37 | 6 | | |
| 24-2 | K6000000390 | BUSH, COPPER 25.4-30.2-20 | 2 | | |
| 24-3 | K1440000020 | GREASE NIPPLE, 90 TYPE C | 1 | | |
| 24-4 | LM331--0207ZD | ARM, REAR LIFT | 1 | | |
| 24-5 | LM331--0208Z2 | SHAFT, REAR LIFT ARM | 1 | | |
| 24-6 | K0200060002 | WASHER, SPRING M6 | 1 | | |
| 24-7 | K0000060152 | BOLT, M6-15 | 1 | | |
| 24-8 | K6040080402 | PIN, ROUND HEAD M8-40 | 1 | | |
| 24-9 | K5011025372 | WASHER, SPCC 1-25.4-37 | 2 | | |
| 24-10 | K0340800002 | PIN, SNAP W/RETAINER M8 | 1 | | |
| 24-11 | K6215000142 | COLLAR, STKM W/HOLE M26-32-15 | 1 | | |
| | | | | | |
| | | | | | |
| | | | | | |
| | | | | | |



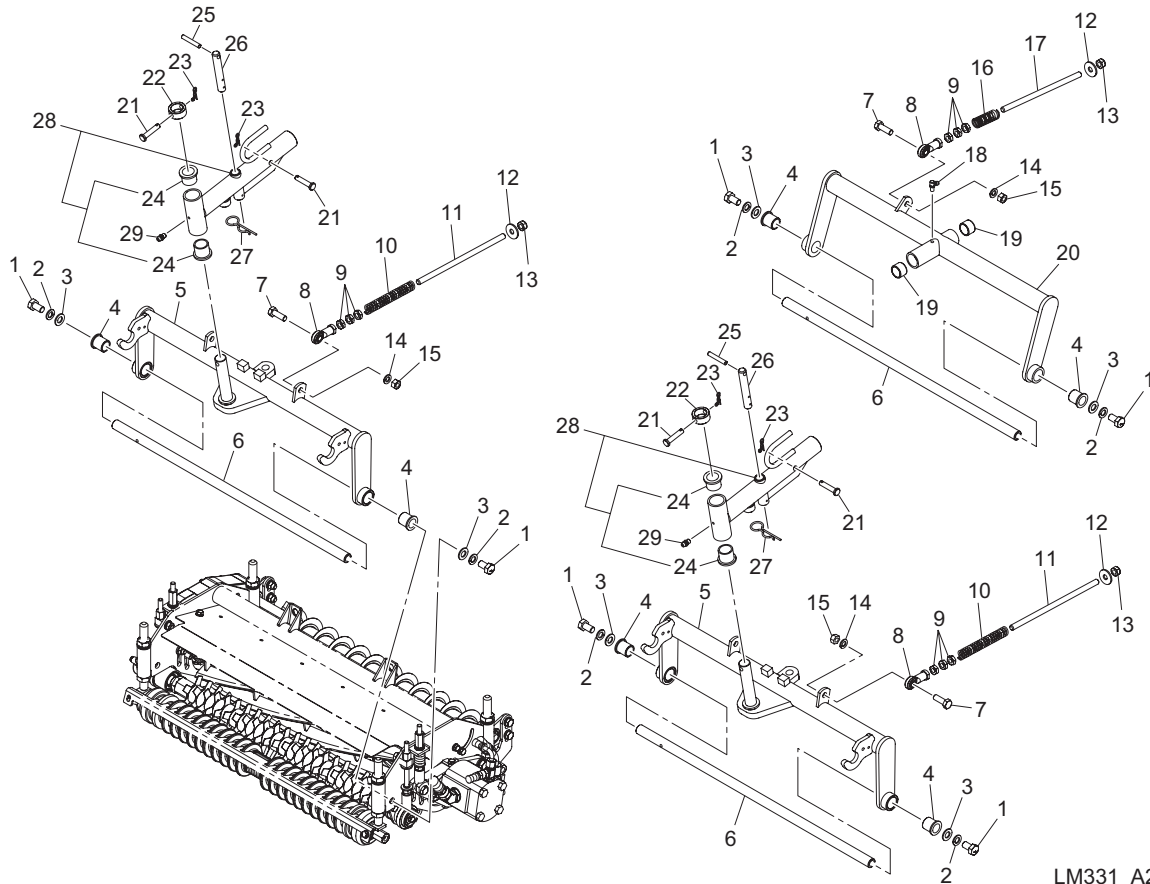
LM331_A25_z01

| Cat No. | Code No. | Part name | Qty | Remark | SN of application |
|---------|---------------|------------------------------------|-----|--------|-------------------|
| A25-1 | LM331--0232Z0 | ROLLER, GROOVED REAR | 2 | | |
| A25-2 | K0300032222 | PIN, COTTER M3.2-22 | 4 | | |
| A25-3 | LM331--0233Z2 | SHAFT | 2 | | |
| A25-4 | K0000100502 | BOLT, M10-50 | 2 | | |
| A25-5 | K5000100002 | WASHER, M10 | 2 | | |
| A25-6 | LM331--0231AD | STOPPER, OSCIRATION OF FRONT MOWER | 1 | | |
| A25-7 | K6031080352 | PIN, FLAT HEAD HT M8.2-35 | 1 | | |
| A25-8 | K5000080002 | WASHER, M8 | 1 | | |
| A25-9 | K0300020202 | PIN, COTTER M2-20 | 1 | | |
| A25-10 | K0000060702 | BOLT, M6-70 | 1 | | |
| A25-11 | LM331--0234Z2 | CHAIN, HANGING | 1 | | |
| A25-12 | K4260000220 | CLAMP, PIPE LN15 | 1 | | |
| A25-13 | K4260000260 | CLAMP, PIPE LN22 | 1 | | |
| A25-14 | K0144060002 | NUT, W/F-RING M6 | 1 | | |
| A25-15 | K0100100002 | NUT, M10 | 2 | | |
| A25-16 | K0200100002 | WASHER, SPRING M10 | 2 | | |
| | | | | | |
| | | | | | |



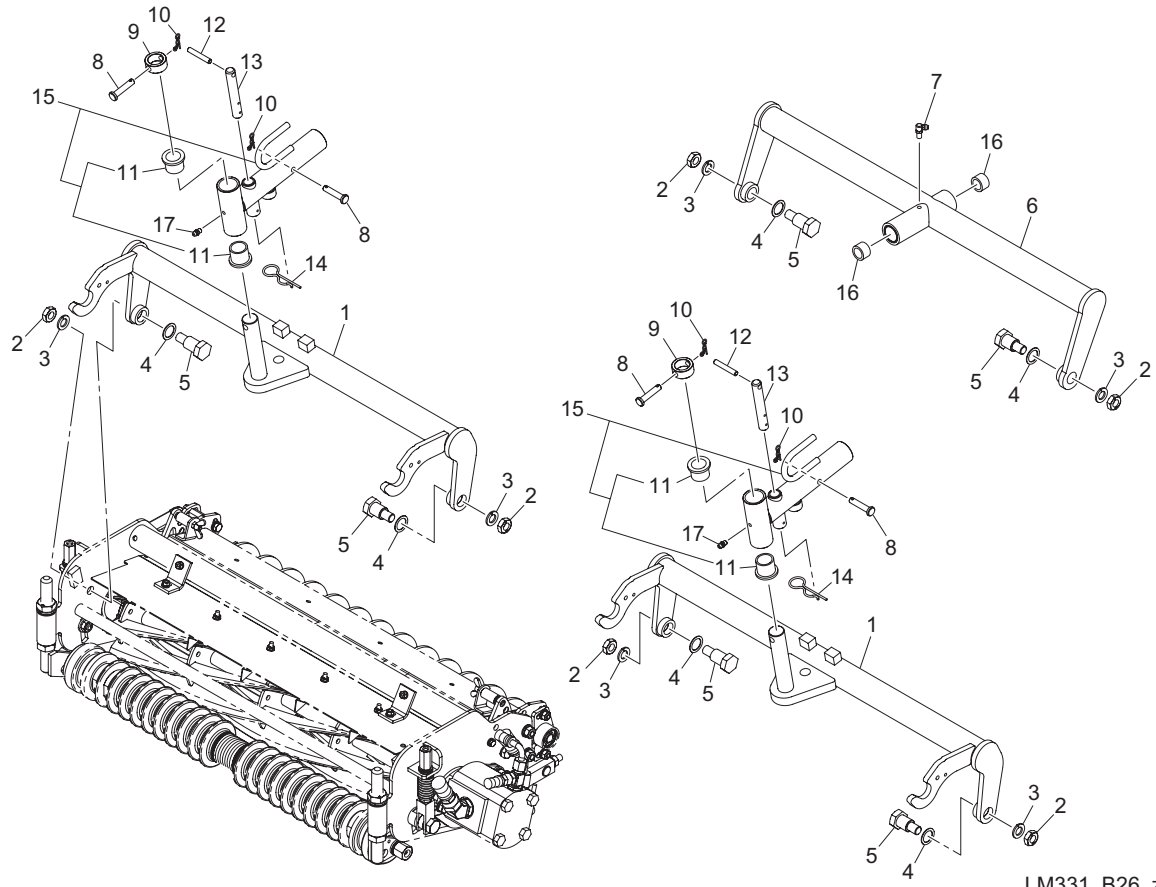
LM331_B25_z00

| Cat No. | Code No. | Part name | Qty | Remark | SN of application |
|---------|---------------|------------------------------------|-----|--------|-------------------|
| B25-1 | LM331--0232Z0 | ROLLER, GROOVED REAR | 2 | | |
| B25-2 | K0300032222 | PIN, COTTER M3.2-22 | 4 | | |
| B25-3 | LM331--0233Z2 | SHAFT | 2 | | |
| B25-4 | K0000100502 | BOLT, M10-50 | 2 | | |
| B25-5 | K5000100002 | WASHER, M10 | 2 | | |
| B25-6 | LM331--6221ZD | STOPPER, OSCIRATION OF FRONT MOWER | 1 | | |
| B25-7 | K6031080352 | PIN, FLAT HEAD HT M8.2-35 | 1 | | |
| B25-8 | K5000080002 | WASHER, M8 | 1 | | |
| B25-9 | K0300020202 | PIN, COTTER M2-20 | 1 | | |
| B25-10 | K0000060702 | BOLT, M6-70 | 1 | | |
| B25-11 | LM331--0234Z2 | CHAIN, HANGING | 1 | | |
| B25-12 | K4260000220 | CLAMP, PIPE LN15 | 1 | | |
| B25-13 | K4260000260 | CLAMP, PIPE LN22 | 1 | | |
| B25-14 | K0144060002 | NUT, W/F-RING M6 | 1 | | |
| B25-15 | K0100100002 | NUT, M10 | 2 | | |
| B25-16 | K0200100002 | WASHER, SPRING M10 | 2 | | |
| | | | | | |
| | | | | | |
| | | | | | |



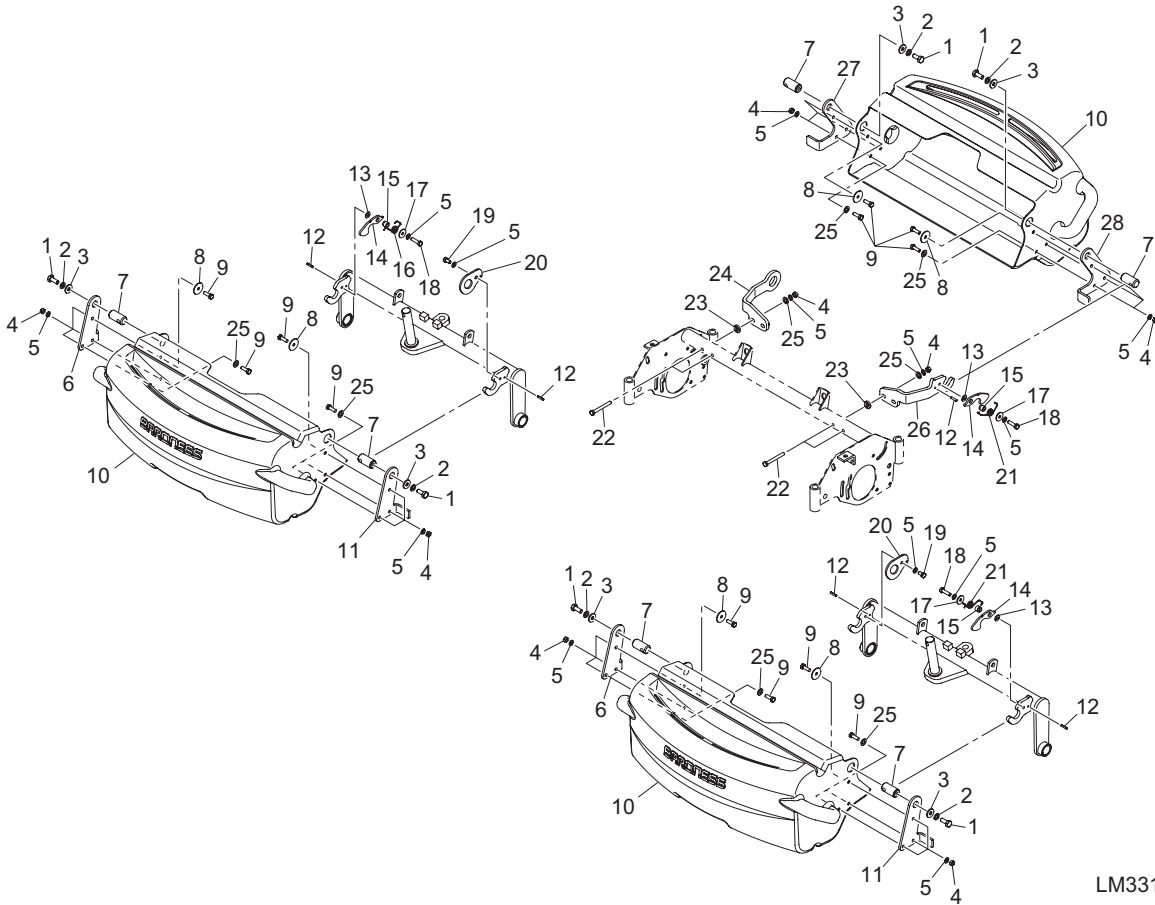
LM331_A26_z00

| Cat No. | Code No. | Part name | Qty | Remark | SN of application |
|---------|---------------|----------------------------------|-----|--------|-------------------|
| A26-1 | K0001140252 | BOLT, P1.5 M14-25 | 6 | | |
| A26-2 | K0200140002 | WASHER, SPRING M14 | 6 | | |
| A26-3 | K5000140002 | WASHER, M14 | 6 | | |
| A26-4 | K6010000130 | BUSH, FLANGED 22-28-30 | 6 | | |
| A26-5 | LM331--0102ZR | ARM, FRONT MOWER | 2 | | |
| A26-6 | LM2700-0140Z8 | STAY, FRONT | 3 | | |
| A26-7 | K0000120352 | BOLT, M12-35 | 3 | | |
| A26-8 | K1607120000 | JOINT, SPHERICAL PHS12EC | 3 | | |
| A26-9 | K0102120002 | NUT, M12-3 | 9 | | |
| A26-10 | K1000000118 | SPRING, COMPRESSION M3-21-150 | 2 | | |
| A26-11 | LM331--0121Z2 | SHAFT, SCREWED M12-280 | 2 | | |
| A26-12 | K5073212352 | WASHER, SPHC 3.2-12-35 | 3 | | |
| A26-13 | K0144120002 | NUT, W/F-RING M12 | 3 | | |
| A26-14 | K0200120002 | WASHER, SPRING M12 | 3 | | |
| A26-15 | K0100120002 | NUT, M12 | 3 | | |
| A26-16 | K1000000968 | SPRING, COMPRESSION M2.3-19.6-70 | 1 | | |
| A26-17 | LM2700-0219Z2 | SHAFT, THREADED M12-240 | 1 | | |
| A26-18 | K1440000020 | GREASE NIPPLE, 90 TYPE C | 1 | | |
| A26-19 | K6000000120 | BUSH, 25.4-30.1-20 | 2 | | |
| A26-20 | LM331--0112ZR | ARM, REAR MOWER | 1 | | |
| A26-21 | K6031090458 | PIN, FLAT HEAD HT M9.6-45.5 | 4 | | |
| A26-22 | K6215000412 | COLLAR, STKM W/HOLE M25.5-36-16 | 2 | | |
| A26-23 | K0341000002 | PIN, SNAP W/RETAINER M10 | 4 | | |
| A26-24 | K6010000150 | BUSH, FLANGED 25-32-30 | 4 | | |
| A26-25 | K0320080501 | PIN, SPRING M8-50 | 2 | | |
| A26-26 | LM526A-0208A8 | SHAFT, STOPPER | 2 | | |
| A26-27 | K0332200008 | PIN, SNAP M22 | 2 | | |
| A26-28 | LM331--0222ZR | JOINT, MOWER | 2 | | |
| A26-29 | K1440000010 | GREASE NIPPLE, STRAIGHT TYPE A | 2 | | |



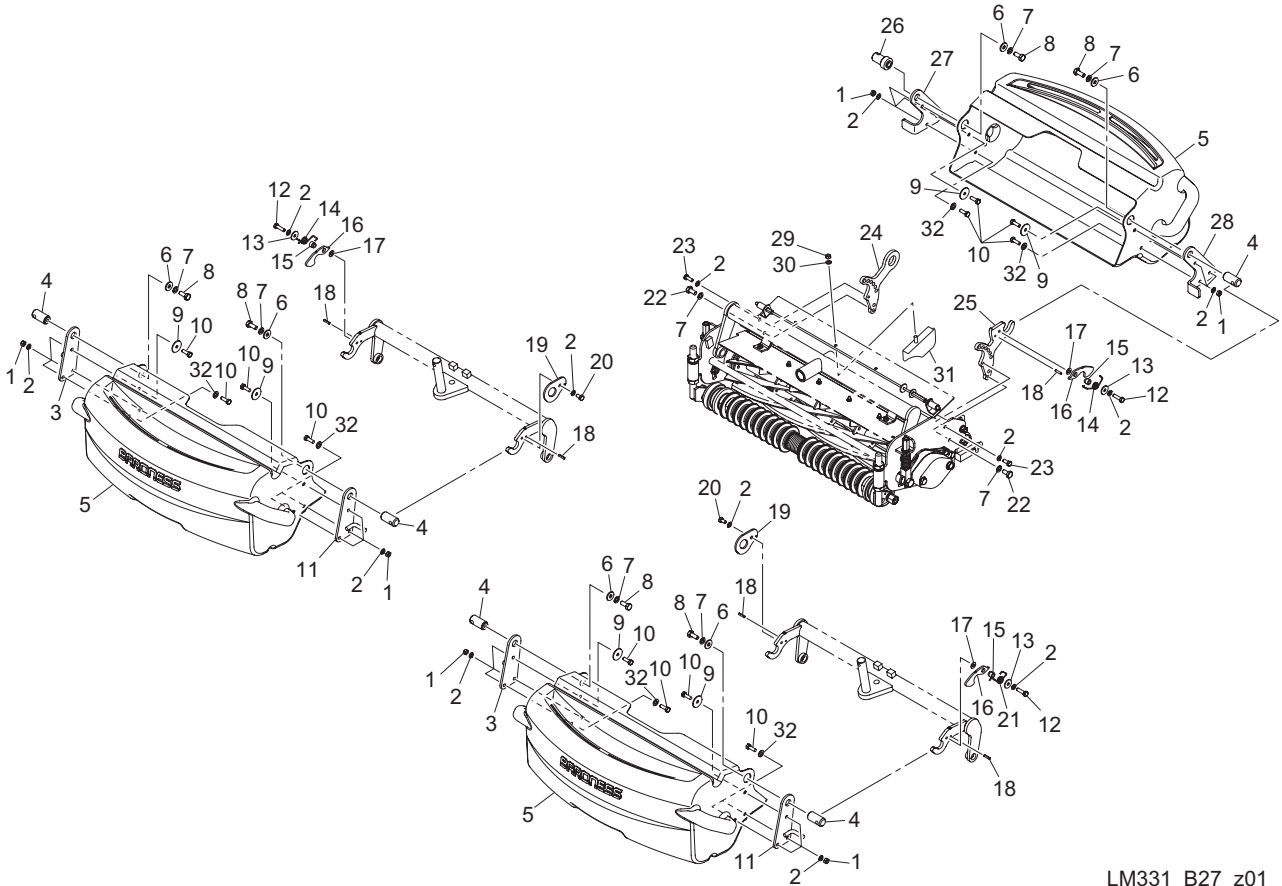
LM331_B26_z00

| Cat No. | Code No. | Part name | Qty | Remark | SN of application |
|---------|---------------|---------------------------------|-----|--------|-------------------|
| B26-1 | LM331--6101ZR | ARM, FRONT MOWER | 2 | | |
| B26-2 | K0105140002 | NUT, P1.5 M14-3 | 6 | | |
| B26-3 | K0212140002 | WASHER, DISK SPRING 1L M14 | 6 | | |
| B26-4 | K5011020282 | WASHER, SPCC 1-20-28 | 6 | | |
| B26-5 | K6082000132 | BOLT, STEPPED FOR FIXING FRAME | 6 | | |
| B26-6 | LM331--6102ZR | ARM, REAR MOWER | 1 | | |
| B26-7 | K1440000020 | GREASE NIPPLE, 90 TYPE C | 1 | | |
| B26-8 | K6031090458 | PIN, FLAT HEAD HT M9.6-45.5 | 4 | | |
| B26-9 | K6215000412 | COLLAR, STKM W/HOLE M25.5-36-16 | 2 | | |
| B26-10 | K0341000002 | PIN, SNAP W/RETAINER M10 | 4 | | |
| B26-11 | K6010000150 | BUSH, FLANGED 25-32-30 | 4 | | |
| B26-12 | K0320080501 | PIN, SPRING M8-50 | 2 | | |
| B26-13 | LM526A-0208A8 | SHAFT, STOPPER | 2 | | |
| B26-14 | K0332200008 | PIN, SNAP M22 | 2 | | |
| B26-15 | LM331--6212ZR | JOINT, MOWER | 2 | | |
| B26-16 | K6000000120 | BUSH, 25.4-30.1-20 | 2 | | |
| B26-17 | K1440000010 | GREASE NIPPLE, STRAIGHT TYPE A | 2 | | |
| | | | | | |
| | | | | | |



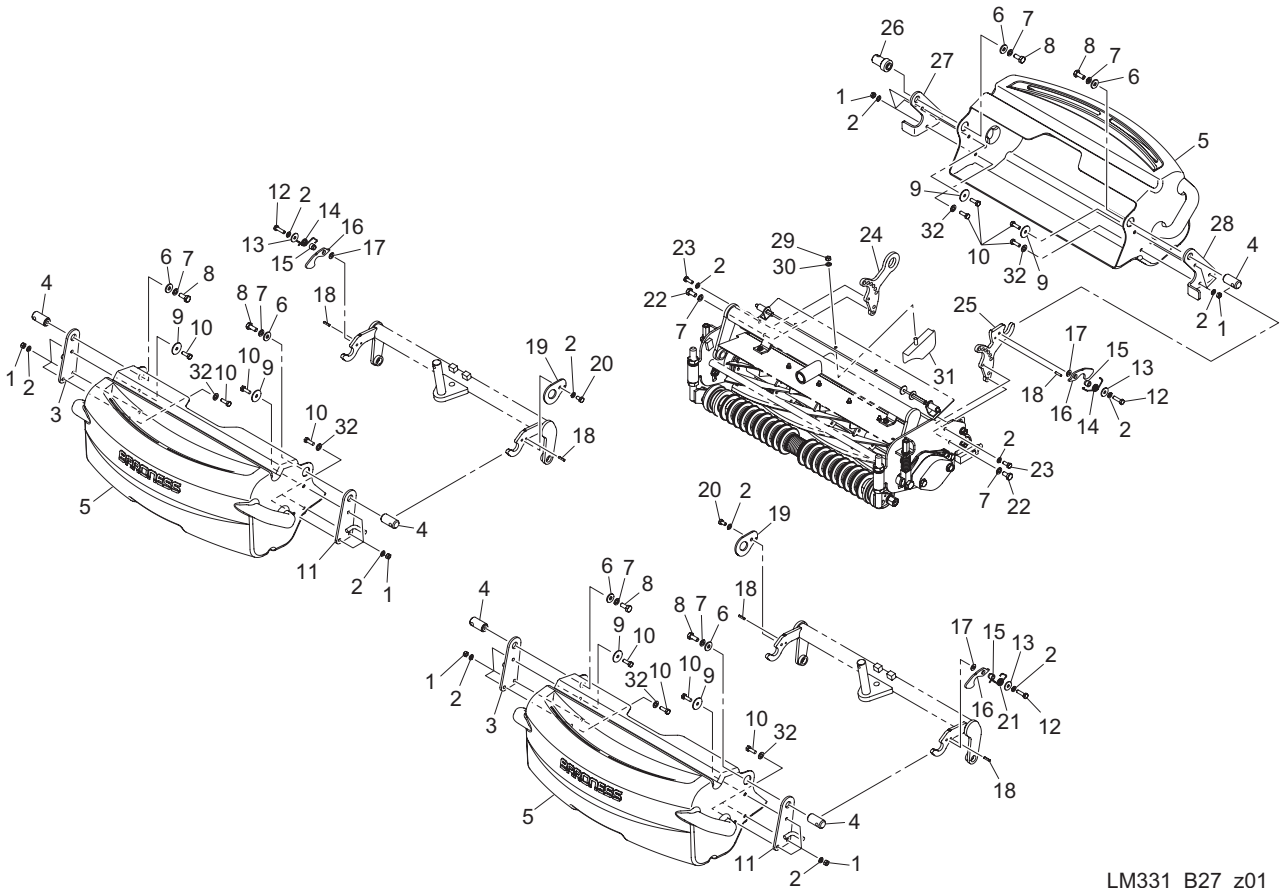
LM331_A27_z01

| Cat No. | Code No. | Part name | Qty | Remark | SN of application |
|---------|---------------|-------------------------------------|-----|--------|-------------------|
| A27-1 | K0000100252 | BOLT, M10-25 | 6 | | |
| A27-2 | K0200100002 | WASHER, SPRING M10 | 6 | | |
| A27-3 | K5073210262 | WASHER, SPHC 3.2-10-26 | 6 | | |
| A27-4 | K0100080002 | NUT, M8 | 22 | | |
| A27-5 | K0200080002 | WASHER, SPRING M8 | 27 | | |
| A27-6 | LH6690-6101ZD | BRACKET, (LH) | 2 | | |
| A27-7 | LS66---6101Z2 | PIN, GRASS CATCHER | 6 | | |
| A27-8 | K5012308352 | WASHER, SPCC 2.3-8-35 | 12 | | |
| A27-9 | K0000080252 | BOLT, M8-25 | 18 | | |
| A27-10 | LS66---6001Z0 | GRASS CATCHER, 26 | 3 | | |
| A27-11 | LH6690-6102ZD | BRACKET, (RH) | 2 | | |
| A27-12 | K0320050221 | PIN, SPRING M5-22 | 5 | | |
| A27-13 | K5051008180 | WASHER, C5191P 1-8-18 | 3 | | |
| A27-14 | LS66---6102AD | HOOK | 3 | | |
| A27-15 | LS66---6103Z2 | COLLAR, 8.5 | 3 | | |
| A27-16 | LS66---6104Z8 | SPRING, TORSION W/U-SHAPED END (RH) | 1 | | |
| A27-17 | K5012308262 | WASHER, SPCC 2.3-8-26 | 3 | | |
| A27-18 | K0000080302 | BOLT, M8-30 | 3 | | |
| A27-19 | K0000080152 | BOLT, M8-15 | 2 | | |
| A27-20 | LM331--7306ZD | HOLDER, BUCKET | 2 | | |
| A27-21 | LS66---6105Z8 | SPRING, TORSION W/U-SHAPED END (LH) | 2 | | |
| A27-22 | K0000080702 | BOLT, M8-70 | 4 | | |
| A27-23 | K6500000102 | WASHER, SS41 M5-10.5-22 | 4 | | |
| A27-24 | LM331--1302ZR | RECEIVER, GRASS CATCHER REAR (RH) | 1 | | |
| A27-25 | K5000080002 | WASHER, M8 | 10 | | |
| A27-26 | LM331--1301ZR | RECEIVER, GRASS CATCHER REAR (LH) | 1 | | |
| A27-27 | LM331--1306ZD | BRACKET, GRASS CATCHER (RH) | 1 | | |
| A27-28 | LM331--1305ZD | BRACKET, GRASS CATCHER (LH) | 1 | | |



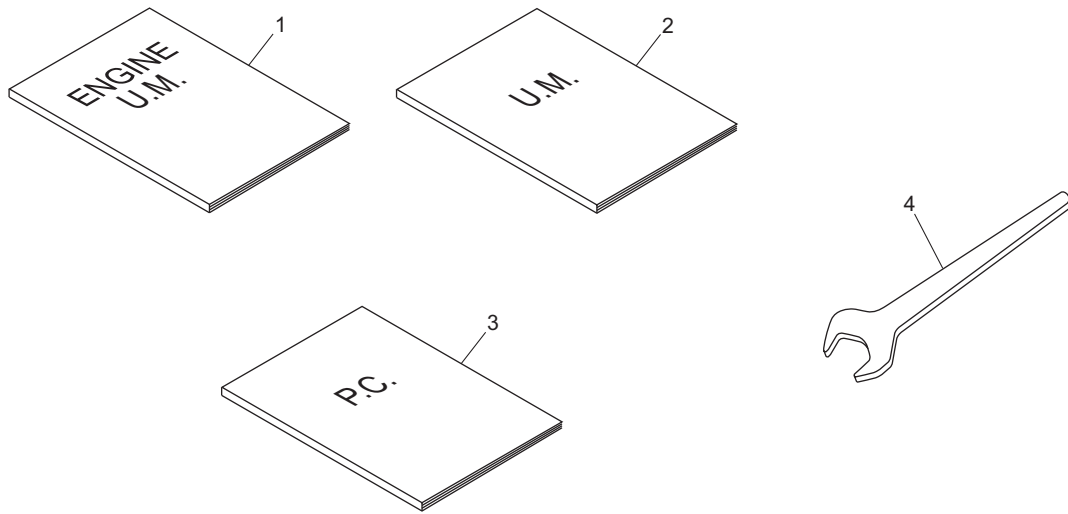
LM331_B27_z01

| Cat No. | Code No. | Part name | Qty | Remark | SN of application |
|---------|---------------|-------------------------------------|-----|--------|-------------------|
| B27-1 | K0100080002 | NUT, M8 | 18 | | |
| B27-2 | K0200080002 | WASHER, SPRING M8 | 25 | | |
| B27-3 | LS66---6108ZD | BRACKET, (RH) | 2 | | |
| B27-4 | LS66---6101Z2 | PIN, GRASS CATCHER | 5 | | |
| B27-5 | LS66---6001Z0 | GRASS CATCHER, 26 | 3 | | |
| B27-6 | K5073210262 | WASHER, SPHC 3.2-10-26 | 6 | | |
| B27-7 | K0200100002 | WASHER, SPRING M10 | 8 | | |
| B27-8 | K0000100252 | BOLT, M10-25 | 6 | | |
| B27-9 | K5012308352 | WASHER, SPCC 2.3-8-35 | 12 | | |
| B27-10 | K0000080252 | BOLT, M8-25 | 18 | | |
| B27-11 | LS66---6107ZD | BRACKET, (LH) | 2 | | |
| B27-12 | K0000080302 | BOLT, M8-30 | 3 | | |
| B27-13 | K5012308262 | WASHER, SPCC 2.3-8-26 | 3 | | |
| B27-14 | LS66---6105Z8 | SPRING, TORSION W/U-SHAPED END (LH) | 2 | | |
| B27-15 | LS66---6103Z2 | COLLAR, 8.5 | 3 | | |
| B27-16 | LS66---6102AD | HOOK | 3 | | |
| B27-17 | K5051008180 | WASHER, C5191P 1-8-18 | 3 | | |
| B27-18 | K0320050221 | PIN, SPRING M5-22 | 5 | | |
| B27-19 | LM331--7306ZD | HOLDER, BUCKET | 2 | | |
| B27-20 | K0000080152 | BOLT, M8-15 | 2 | | |
| B27-21 | LS66---6104Z8 | SPRING, TORSION W/U-SHAPED END (RH) | 1 | | |
| B27-22 | K0000100202 | BOLT, M10-20 | 2 | | |
| B27-23 | K0000080202 | BOLT, M8-20 | 2 | | |
| B27-24 | LM331--7304ZR | RECEIVER, GRASS CATCHER REAR (RH) | 1 | | |
| B27-25 | LM331--7303ZR | RECEIVER, GRASS CATCHER REAR (LH) | 1 | | |
| B27-26 | LM331--7305Z2 | PIN, STEPPED | 1 | | |
| B27-27 | LM331--7302ZD | BRACKET, GRASS CATCHER (RH) | 1 | | |
| B27-28 | LM331--7301ZD | BRACKET, GRASS CATCHER (LH) | 1 | | |
| B27-29 | K0144060002 | NUT, W/F-RING M6 | 4 | | |
| B27-30 | K0213060001 | WASHER, DISK SPRING 1H M6 | 4 | | |



LM331_B27_z01

| Cat No. | Code No. | Part name | Qty | Remark | SN of application |
|---------|---------------|-------------------------|-----|--------|-------------------|
| B27-31 | LM331--7307ZD | FIN, FOR REAR DISCHARGE | 4 | | |
| B27-32 | K5000080002 | WASHER, M8 | 6 | | |
| | | | | | |
| | | | | | |
| | | | | | |
| | | | | | |
| | | | | | |
| | | | | | |
| | | | | | |



LM331_028_z01

| Cat No. | Code No. | Part name | Qty | Remark | SN of application |
|---------|----------------|--------------------------------|-----|--------|-------------------|
| 28-1 | PF1J090-8916-0 | OPERATING MANUAL, ENGINE D902 | 1 | | |
| 28-2 | 750101-122-A | OWNERS OPERATING MANUAL, LM331 | 1 | | |
| 28-3 | 750101-122-B | PARTS CATALOG, LM331 | 1 | | |
| 28-4 | K4811270002 | WRENCH, SINGLE HEAD 27 | 1 | | |
| | | | | | |
| | | | | | |
| | | | | | |
| | | | | | |
| | | | | | |
| | | | | | |
| | | | | | |

MEMO

BARONESS[®]
Quality on Demand

 **KYOEISHA CO., LTD.**
Head Office 1-26, Miyuki-cho, Toyokawa-city, Tel :+81-533-84-1390
Aichi-pref, 442-8530 JAPAN Fax :+81-533-84-1220