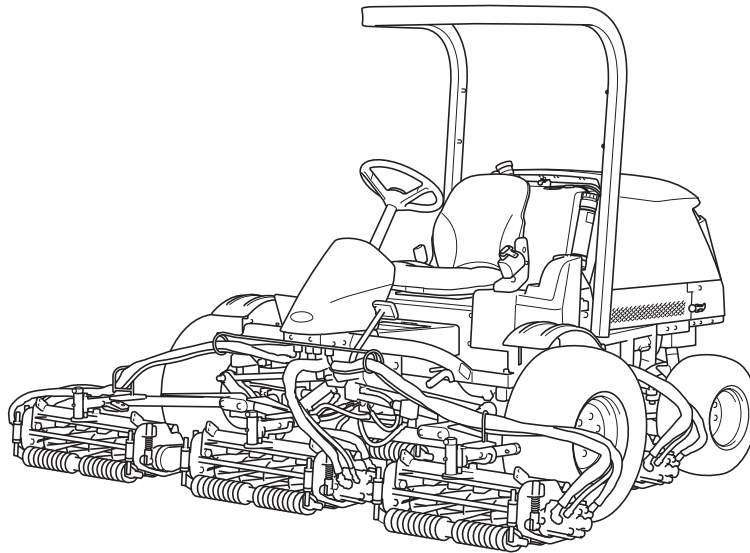


LM531

5-Unit Reel Mower

Owner's Operating Manual



Serial No. LM531 : 10001-

"Required reading"

Read this manual and the Owner's Manual for the engine before using the machine.

BARONESS[®]
Quality on Demand

Ver.1.0

Regulations

California Proposition 65

(For California, USA)

⚠ WARNING:

Operating, servicing and maintaining a passenger vehicle or off-road vehicle can expose you to chemicals including engine exhaust, carbon monoxide, phthalates, and lead, which are known to the State of California to cause cancer and birth defects or other reproductive harm. To minimize exposure, avoid breathing exhaust, do not idle the engine except as necessary, service your vehicle in a well-ventilated area and wear gloves or wash your hands frequently when servicing your vehicle. For more information go to www.P65Warnings.ca.gov/passenger-vehicle.

318yi8-005

California Proposition 65_001

California Spark Arrester

(For California, USA)

⚠ Warning

Operation of this equipment may create sparks that can start fires around dry vegetation.

A spark arrester may be required.

The operator should contact local fire agencies for laws or regulations relating to fire prevention requirements.

The engine of this machine is not equipped with a spark arrester.

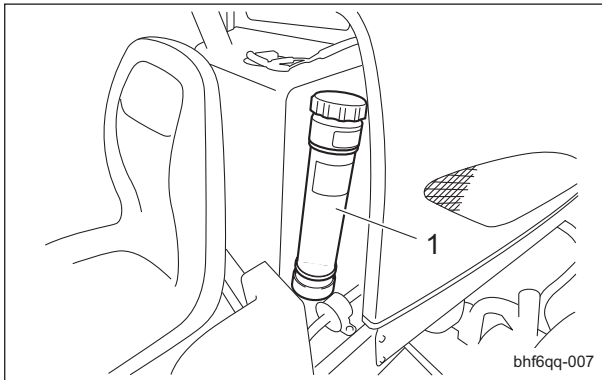
In some areas there are local, state, or federal regulations requiring that a spark arrester be used on the engine of this machine.

The recommended spark arrester for this machine is Part No.49028N Spark Arrester made by Nelson Global Products.

Thank you for purchasing the Baroness product.
This manual describes the proper handling,
adjustment, and inspection of your product.
We hope you will use the product safely, and take
advantage of its best performance.

Keeping the Owner's Operating Manual

Keep this Manual in the box on the left side of
the fuel tank.



Keeping the Owner's Operating Manual_001

1	Box
---	-----

Introduction

Read this manual carefully to ensure that you thoroughly understand how to properly operate and maintain the product, and to avoid causing injury to yourself or others.

The operator is responsible for operating the product properly and safely.

Maintenance should only be performed by a certified specialist.

If you have any questions concerning maintenance or genuine parts, please contact a Baroness dealer or Kyoisha.

When making inquiries about the product, please specify the product's model designation and serial number.

When loaning or transferring the product, please also provide this manual together with the product.

Kyoisha Co., Ltd.

Warning Symbols

This manual uses the following warning symbols for handling precautions that are important for your safety.



696cq5-001

Warning symbol

This symbol indicates the articles regarding “Danger,” “Warning,” or “Caution.”

Those articles describe important safety precautions and so read them carefully to understand completely before operating the machine.

Failure to adequately follow these safety precautions may cause an accident.

Danger

This symbol indicates that serious injury or death will occur if the warning is ignored.

Warning

This symbol indicates that serious injury or death may occur if the warning is ignored.

Caution

This symbol indicates that injury or damage to property may occur if the warning is ignored.

Important

This symbol indicates precautions on the mechanism of the machine.

Precautionary Statement

Caution

The information described in this manual is subject to change for improvement without prior notice.

When replacing parts, be sure to use genuine Baroness parts or parts designated by Kyoeshia.

Note that the Baroness product warranty may not apply to defects caused by the use of parts from other companies.

Prior to use, carefully read the following manuals to thoroughly understand the contents for safe and correct operation.

- Baroness Owner's Operating Manual
- The Engine's Owner's Manual
- The Battery's Owner's Manual

Purpose

This product is intended for cutting turf grass at golf courses.

Do not use this product in any way other than its intended purpose, and do not modify this product.

Operating this product for other purposes and modifying it may be very dangerous and may cause damage to the product.

In addition, this product is not authorized for operation as a special motor vehicle. Do not operate it on public roads.

LM531

Introduction

Safety	Page 1-1
Safe Operating Practices	Page 1-2
Disposal	Page 2-1
Recycle and Waste Disposal	Page 2-2
Product Overview	Page 3-1
Specifications	Page 3-2
Names of Each Section	Page 3-4
Regulation Decals	Page 3-5
Safety Signs and Instruction Signs	Page 3-8
Handling Instructions	Page 4-1
Inspections	Page 4-2
Tightening Torques	Page 4-14
Adjustment before Work	Page 4-17
Procedure to Start/Stop Engine	Page 4-19
Operation Method	Page 4-22
Instruments	Page 4-33
Travel of Machine	Page 4-35
Cutting Work	Page 4-37
Transporting	Page 4-38
Storage	Page 4-38
Maintenance	Page 5-1
Maintenance Precautions	Page 5-2
Maintenance Schedule	Page 5-3
Jacking Up The Machine	Page 5-8
Greasing	Page 5-9
Lubrication	Page 5-12
Maintenance Work	Page 5-13

LM531

Contents

Safe Operating Practices Page 1-2

Training Page 1-2

Preparation Page 1-2

Operation Page 1-3

Maintenance and Storage Page 1-4

Safety

Failure to adequately follow these safety precautions may cause an accident resulting in injury or death.

Danger

This product is designed to ensure safe operation and has been tested and inspected thoroughly before shipment from the factory. The product is equipped with safety devices to prevent accidents.

However, whether the product demonstrates its original performance level depends on the manner in which it is operated and handled, as well as the manner in which it is managed on a daily basis.

Inappropriate use or management of the product may result in injury or death.

Observe the following safety instructions to ensure safe operation.

Safe Operating Practices

Training

1. Read this manual and other training material carefully. Be familiar with the controls, safety signs, and the proper use of the equipment.
2. If the operator or mechanic can not read English it is the owner's responsibility to explain this manual to them.
3. All operators and mechanics should seek and obtain professional and practical instruction.
The owner is responsible for training the users.
Such instruction should emphasize.

[1] The need for care and concentration when working with ride-on machines.

[2] Control of a ride-on machine sliding on a slope will not be regained by the application of the brake.

The main reasons for loss of control are

- Insufficient wheel grip
- Being driven too fast
- Inadequate braking
- The type of machine is unsuitable for its task
- Lack of awareness of the effect of ground conditions, especially slopes
- Incorrect hitching and load distribution

4. Never allow children or people unfamiliar with these instructions to use or service the machine.
Local regulations may restrict the age of the operator.
5. The owner/user can prevent and is responsible for accidents or injuries occurring to themselves, other people, or property.
6. Keep in mind that the owner, operator, and mechanic are responsible for accidents or hazards occurring to other people or their property.
7. The ROPS is an integral and effective safety device.
Do not remove or alter the ROPS.
8. Replace a damaged ROPS.
Do not repair or alter.
9. You can find additional safety information where needed throughout this manual.
10. Determine the left and right sides of the machine from the normal operating position.

Preparation

1. Evaluate the terrain to determine what accessories and attachments are needed to properly and safely perform the job. Only use accessories and attachments approved by the manufacturer.
2. While operating, always wear substantial footwear, long trousers, hard hat, safety glasses, and ear protection. Long hair, loose clothing, or jewelry may get tangled in moving parts. Do not operate the equipment when barefoot or wearing open sandals.
3. Inspect the area where the equipment is to be used and remove all objects such as rocks, toys and wire which can be thrown by the machine.
4. Keep children out of the operating area and under the watchful care of a responsible adult other than the operator.

5. Exercise care in the handling of fuel.

 Warning

Warning-Fuel is highly flammable. Take the following precautions.

- [1] Store fuel in containers specifically designed for this purpose.
 - [2] Add fuel before starting the engine. Never remove the cap of the fuel tank or add fuel while the engine is running or when the engine is hot.
 - [3] Refuel outdoors only and do not smoke while refueling.
 - [4] If fuel is spilled, do not attempt to start the engine but move the machine away from the area of spillage and avoid creating any source of ignition until petrol vapours have dissipated.
 - [5] Replace all fuel tanks and container caps securely.
6. Check that operator's presence controls, safety switches and shields are attached and functioning properly. Do not operate unless they are functioning properly.
 7. If the brake operation is faulty or the parking brake lever has noticeable play, be sure to adjust or repair them before operating the machine.
 8. Replace faulty mufflers.
 9. On multi-cylinder/multi-reel machines take care as rotating one cylinder/reel can cause other cylinder/reels to rotate.

Operation

1. Do not operate the engine in a confined space where dangerous carbon monoxide fumes can collect.
2. Only operate in good light, keeping away from holes and hidden hazards.
3. Before attempting to start the engine, disengage all attachments, shift into neutral, and engage the parking brake. Only start engine from the operator's position. Use seat belts if provided.

4. Remember there is no such thing as a safe slope. Travel on grass slopes requires particular care.

To guard against overturning:

- [1] Do not stop or start suddenly when going up or downhill.
 - [2] Engage clutch slowly, always keep machine in gear, especially when traveling downhill.
 - [3] Machine speeds should be kept low on slopes and during tight turns.
 - [4] Stay alert for humps and hollows and other hidden hazards.
 - [5] Never operate across the face of the slope, unless the machine is designed for this purpose.
 - [6] Never drive the machine on a slope with an angle of gradient that is greater than that specified or in a place where there is a danger of the machine slipping.
5. Use extra care while operating machine with a grass catcher or other attachments. They can affect the stability of the machine.
 6. Never operate the machine with damaged guards, shields, or without safety protective devices in place. Be sure all interlocks are attached, adjusted and functioning properly.
 7. Do not change the engine governor settings or overspeed the engine. Operating the engine at excessive speed may increase the hazard of personal injury.
 8. Do the following before leaving the operator's position.
 - [1] Stop on level ground.
 - [2] Disengage the power take-off and lower the attachments.
 - [3] Change into neutral and set the parking brake.
 - [4] Stop the engine and remove the key.
 9. Disengage the drive to attachments, stop the engine, and remove the ignition key in the following conditions.
 - [1] Before refueling.
 - [2] Before making height adjustment unless adjustment can be made from the operator's position.
 - [3] Before cleaning blockages.
 - [4] Before checking, cleaning, or working the machine.

Safety

- [5] After striking a foreign object or if an abnormal vibration occurs.
Inspect the machine for damage and make repairs before restarting and operating the equipment.
10. Keep hands and feet away from the cutting units and the rotating parts.
 11. Do not mow in reverse unless absolutely necessary. Always look down and behind before and while backing.
 12. Do not carry passengers.
 13. Never operate while people, especially children, or pets are nearby.
 14. Slow down and use caution when making turns and crossing roads and sidewalks.
 15. Stop the blades rotating before crossing surfaces other than grass.
 16. Disengage drive to attachments when transporting or not in use.
 17. When using any attachments, never direct discharge of material toward bystanders nor allow anyone near the machine while in operation.
 18. Do not operate the machine under the influence of alcohol or drugs.
 19. Take care when loading or unloading the machine into a trailer or a truck. Load or unload the machine in a flat and safe place. Before loading or unloading, set the parking brake on the truck or trailer, stop the engine, and chock the wheels.
When transporting the machine on a truck or a trailer, set the parking brake, stop the engine, and fasten the machine to the truck with a rope or other suitable restraining device that has sufficient strength.
When using a loading ramp, select one with sufficient strength, length, and width and that will not cause the machine to slip.
 20. Close the fuel valve before transporting the machine.
 21. Use care when approaching blind corners, shrubs, trees, or other objects that may obscure vision.
 22. Do not take your eyes off the road ahead. Do not operate the machine with no hands.
 23. Reduce the throttle setting during engine run-out and, if the engine is provided with a shut-off valve, turn the fuel off at the conclusion of operation.

24. Do not operate the machine when there is the risk of lightning.

Maintenance and Storage

1. Disengage drives on level ground, lower the attachments, set parking brake, stop engine and remove key from ignition. Wait for all movement to stop before adjusting, cleaning or repairing.
2. When machine is to be parked, stored, or left unattended, lower the cutting units unless a positive mechanical lock is provided.
3. To reduce the fire hazard, keep the engine, silencer/muffler, battery compartment fuel storage area, cutting unit and drives free of grass, leaves, or excessive grease. Clean up oil or fuel spillage.
4. Allow the engine to cool before storing in any enclosure.
5. Only cover the machine with a sheet after hot parts have sufficiently cooled down.
6. Never store the equipment with fuel in the tank inside a building where fumes may reach an open flame or spark.
7. If the engine is provided with a shut-off valve, shut off valve while storing or transporting.
8. Do not store fuel near flames.
9. Never allow untrained personnel to service machine.
10. Allow the engine/muffler to cool before checking/maintenance.
11. Appropriately manage and correctly use the tools necessary for servicing or adjusting the machine.
12. Use jack stands to support components when required.
13. Carefully release pressure from components with stored energy.
14. Be sure to depressurize the hydraulic system before performing maintenance operations on it such as removing hydraulic equipment.
15. Check whether line connectors in the hydraulic system are properly tightened. Before applying hydraulic pressure, check the connections of the hydraulic pressure lines and the condition of the hoses.

16. When checking the hydraulic circuit for pinhole leaks or oil leakage from nozzles, do not use your hands. Use items such as paper or corrugated cardboard to find leakage points. Be extremely careful with high-pressure oil as it may pierce your skin, resulting in an injury.
If fluid is injected into the skin it must be surgically removed within a few hours by a doctor familiar with this form of injury or gangrene may result.
17. Disconnect battery before making any repairs. Disconnect the negative terminal first and the positive last. Reconnect positive first and negative last.
18. Make sure that parts such as wires are not touching each other and that their covers have not come off.
19. Use care when checking the cylinders/reels and bed knives.
 - [1] Wear gloves and use caution when servicing them.
 - [2] Be careful during adjustment of the machine to prevent entrapment of the fingers between moving blades and fixed parts of the machine.
20. On multi-cylinder/multi-reel machines take care as rotating one cylinder/reel can cause other cylinder/reels to rotate.
21. Keep hands and feet away from moving parts. If possible, do not make adjustments with the engine running.
22. Charge batteries in an open well ventilated area, away from spark and flames. Unplug charger before connecting or disconnecting from battery. Wear protective clothing and use insulated tools.
23. Keep all parts in good working condition and all hardware tightened. Replace all worn or damaged decals.
24. Keep all nuts, bolts and screws tight to be sure the equipment is in safe working condition.
25. If the fuel tank has to be drained, do this outdoors.
26. Swallowing engine coolant can cause injury or death; keep out of reach from children and pets.

Recycle and Waste Disposal Page 2-2

About RecyclePage 2-2

About Waste Disposal Page 2-2



Disposal

Recycle and Waste Disposal

About Recycle

Recycling battery etc. is recommended for environmental conservation and economical use of resources.

It may be required by local laws.

About Waste Disposal

Make sure that waste generated when servicing or repairing the machine is disposed of in accordance with local regulations. (e.g. waste oil, antifreeze, rubber products, and wires etc.)

Specifications Page 3-2

SpecificationsPage 3-2

Sound Pressure Level Page 3-3

Sound Power Level Page 3-3

Vibration LevelPage 3-3

Carbon Dioxide (CO₂) Emissions

MeasurementPage 3-3

Names of Each Section Page 3-4**Regulation DecalsPage 3-5**

Positions of Regulation Decals Page 3-5

Description of Regulation Decals Page 3-5

Safety Signs and Instruction Signs Page 3-8About Safety Signs and Instruction
SignsPage 3-8Positions of Safety Decals and
Instruction Decals Page 3-8Description of Safety Decals and
Instruction Decals Page 3-9

Product Overview

Specifications

Specifications

Model		LM531	
Dimensions	Total length		119.29 in 303 cm
	Total width	During operation	116.5 in 296 cm
		During transport	86.6 in 220 cm
	Total height	Steering wheel	52.4 in 133 cm
Weight	Machine (empty fuel tank)	with Slight lift, without Roll bar	2755.7 lb 1,250 kg
Minimum turning radius		110.2 in 280 cm	
Engine	Model		Kubota D1105-E4B (Diesel)
	Type		Vertical Water-cooled 4-cycle diesel engine
	Total displacement		68.52 cu.in. 1,123 cm ³ (1.123 L)
	Maximum output		17.3 kW (23.5 PS)/3,000 rpm
Fuel tank capacity		Diesel 10.04 U.S.gal.	Diesel 38.0 dm ³ (38.0 L)
Fuel consumption		213 g/PS · h (rated output)	289 g/kW · h (rated output)
Engine oil capacity		0.82 U.S.gal.	3.1 dm ³ (3.1 L)
Coolant volume		1.59 U.S.gal.	6.0 dm ³ (6.0 L)
Hydraulic tank capacity		9.25 U.S.gal.	35.0 dm ³ (35.0 L)
Operating width (Mowing width)		99.2 in	252 cm
Operating height (Mowing height)		0.394 - 2.362 in	10 - 60 mm
Blades		9	
Drive	Traveling		HST (Full time 4WD)
	Mowing		Hydraulic
Speed (HST)	Forward		0 - 9.63 mph 0 - 15.5 km/h
	Reverse		0 - 4.97 mph 0 - 8.0 km/h
Speed (Mechanical)		-	
Efficiency		4.98 acres/hour (6.22 mph x mowing width x 0.8)	20,160 m ² /h (10.0 km/h x mowing width x 0.8)
Maximum inclination for operation		15 degrees	
Tire size	Front wheel		26.0 x 12.00 - 12
	Rear wheel		20 x 10.00 - 10
Tire pneumatic pressure	Front wheel		20.30 psi 140 kPa (1.4 kgf/cm ²)
	Rear wheel		14.50 psi 100 kPa (1.0 kgf/cm ²)
Battery		75D23L	
Engine plug		-	

The factory default maximum engine rpm is 3,100 rpm.

Sound Pressure Level

Sound Pressure Level

This machine was confirmed to have a continuous A-weighted sound pressure level of 88 dB by measuring identical machines in accordance with the procedure specified in ISO5395-1:2013.

Sound Power Level

Sound Power Level

This machine was confirmed to have a sound power level of 105dB by measuring identical machines in accordance with the procedure specified in directive 2000/14/EC.

Vibration Level

Hand-Arm Vibration

This machine was confirmed not to exceed a vibration level of 2.5 m/s² to hands and arms by measuring identical machines in accordance with the procedure specified in ISO 5395-1:2013.

Whole Body Vibration

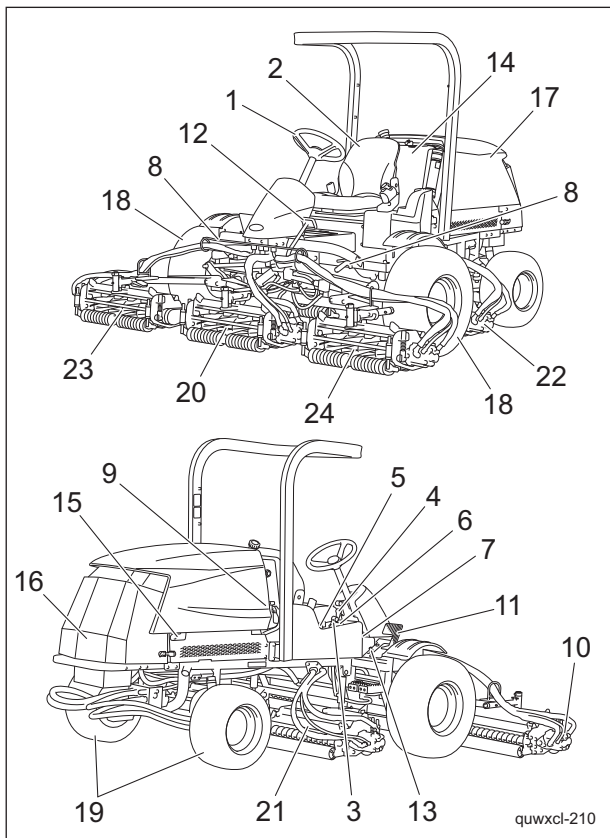
This machine was confirmed not to exceed a vibration level of 0.5 m/s² to the whole body by measuring identical machines in accordance with the procedure specified in ISO 5395-1:2013.

Carbon Dioxide (CO₂) Emissions Measurement

For CO₂ emissions measurement on the engine of this machine, refer to the engine's owner's manual.

Product Overview

Names of Each Section

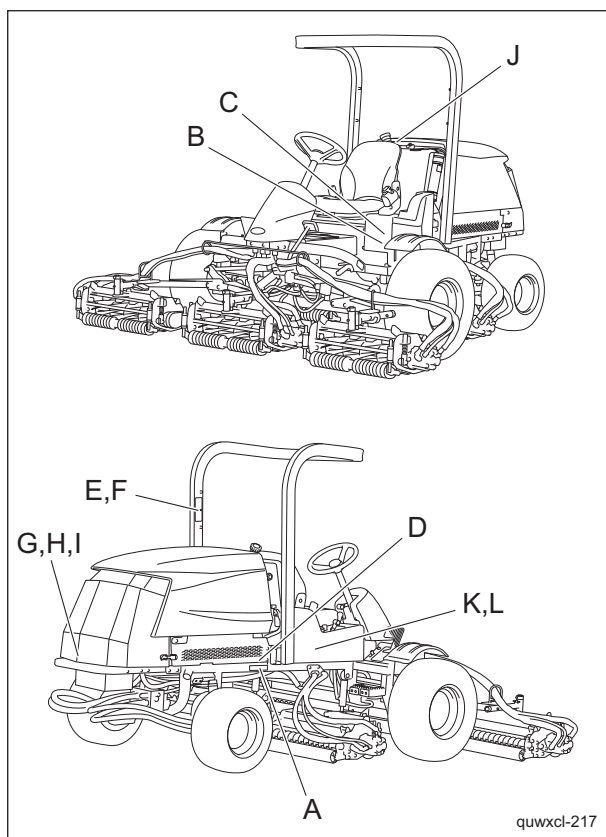


Names of Each Section_001

1	Steering wheel
2	Seat
3	Throttle lever
4	Mower unit up/down lever
5	Reel rotation switch
6	Light switch
7	Stop valve
8	Mower lock lever (Latch)
9	Reel reverse switch
10	Reel rotation/stop switching lever
11	Traveling pedal
12	Brake pedal
13	Parking brake lock lever
14	Fuel tank
15	Muffler
16	Battery
17	Hood
18	Front tire
19	Rear tire
20	Mower unit #1
21	Mower unit #2
22	Mower unit #3
23	Mower unit #4
24	Mower unit #5

Regulation Decals

Positions of Regulation Decals



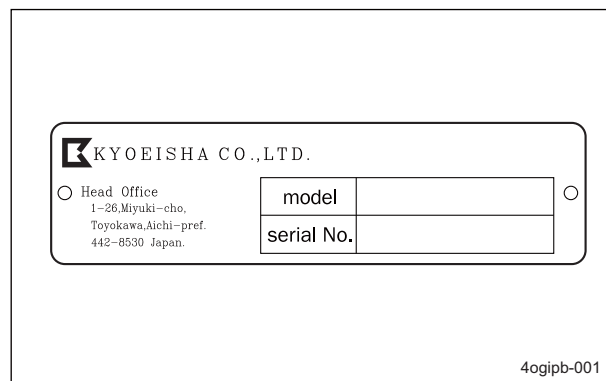
Positions of Regulation Decals_001

A	Serial number plate
B	Specification decal
C	Noise emission decal
D	Year of manufacture decal
E	ROPS compliance decal
F	ROPS caution decal
G	Battery capacity decal
H	Recycle decal
I	Battery danger decal
J	Diesel instruction decal
K	California Proposition 65 decal (riding type)
L	Spark arrester warning decal

Description of Regulation Decals

Serial Number Plate

The serial number plate indicates the model and serial number of the machine.

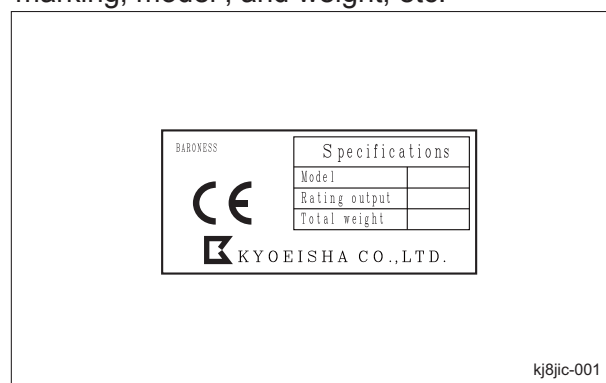


Serial Number Plate_001

Specification Decal

(For Europe)

The Specification decal indicates the CE marking, model, and weight, etc.

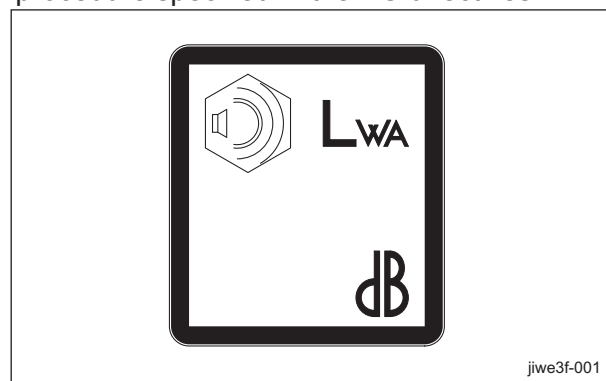


Specification Decal_001

Noise Emission Decal

(For Europe)

The noise emission decal indicates the sound power level determined by measuring identical machines in accordance with the procedure specified in the EC directives.



Noise Emission Decal_001

Product Overview

Year of Manufacture Decal

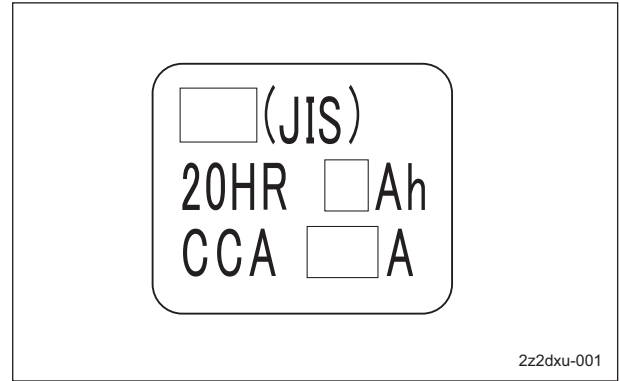
(For Europe)
The year of manufacture decal indicates the year when this machine was manufactured.



Year of Manufacture Decal_001

Battery Capacity Decal

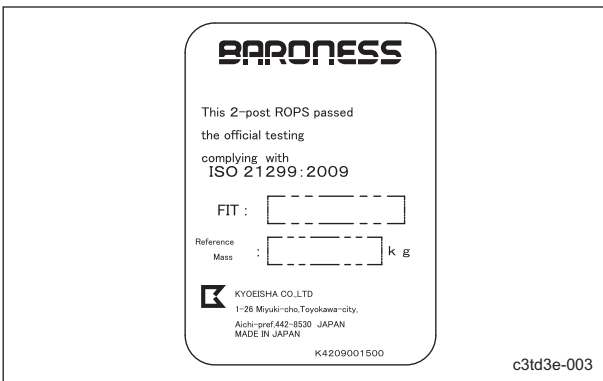
(For Europe)
The battery capacity decal indicates the capacity by 20HR and CCA.



Battery Capacity Decal_001

ROPS Compliance Decal

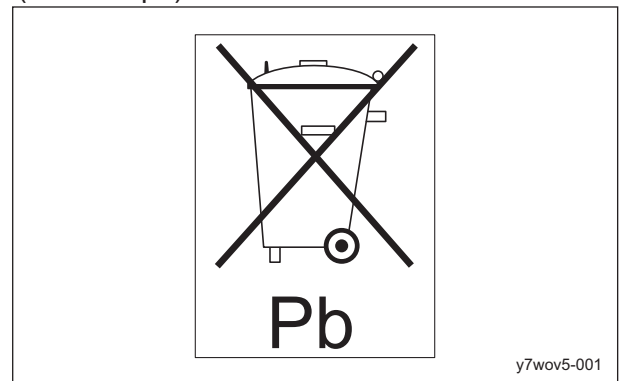
The ROPS compliance decal indicates the manufacturer, model, etc., in accordance with International Standard ISO 21299:2009.



ROPS Compliance Decal_001

Recycle Decal

Recycle Decal illustrates Recycle Mark in accordance with local regulation.
(For Europe)

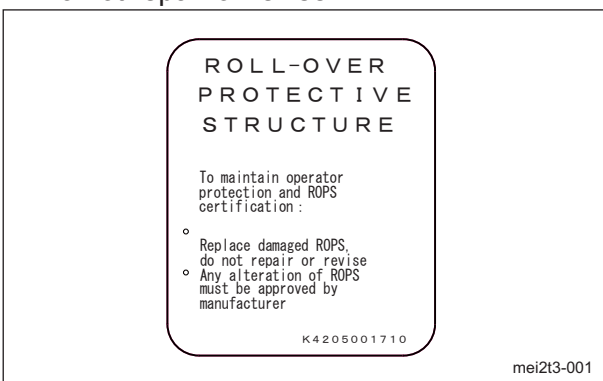


Recycle Decal_001

ROPS Caution Decal

ROPS caution decal describes the following caution messages.

- Replace damaged ROPS.
- Do not repair or revise.



ROPS Caution Decal_001

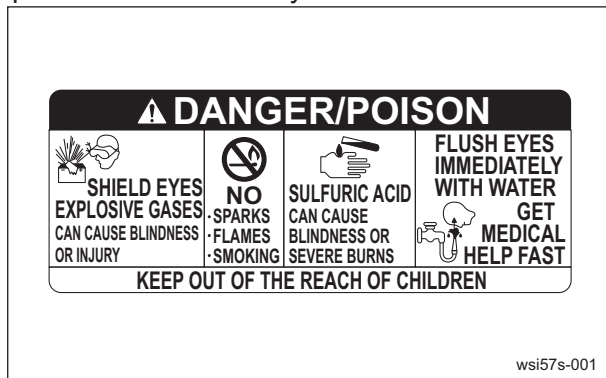
(For USA)



Recycle Decal_002

Battery Danger Decal

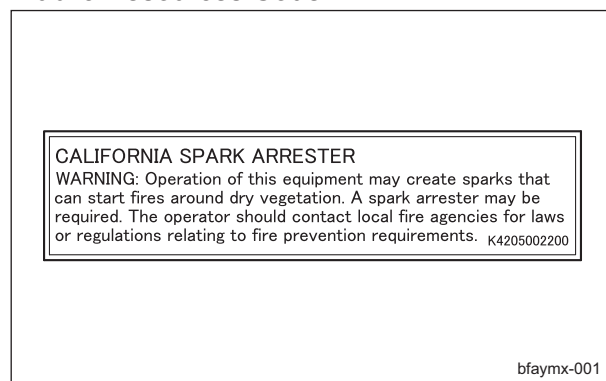
(For USA)
 Battery Danger Decal describes handling precautions for battery.



Battery Danger Decal_001

Spark Arrester Warning Decal

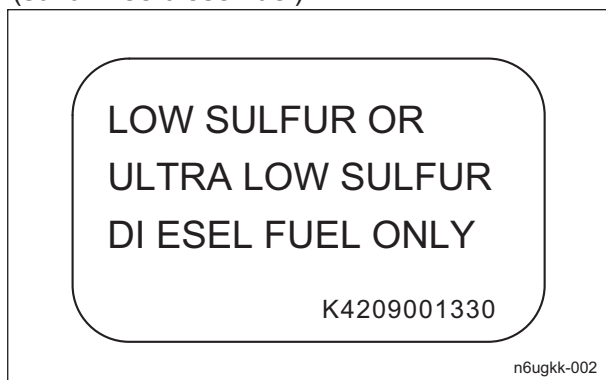
(For the State of California, USA)
 Spark arrester warning decal describes the warning messages as required by California Public Resources Code.



Spark Arrester Warning Decal_001

Indicating Diesel Fuel Decal

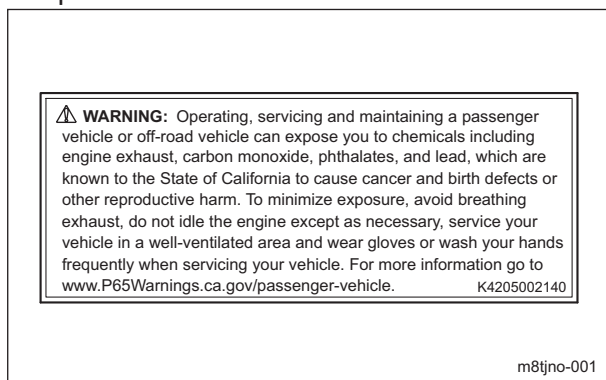
(for USA)
 It indicates the fuel to be used.
 Use low sulfur or ultra-low sulfur diesel fuel (sulfur-free diesel fuel).



Indicating Diesel Fuel Decal_001

California Proposition 65 Decal (Riding Type)

(For the State of California, USA)
 California Proposition 65 decal describes the warning messages as required by California Proposition 65.



California Proposition 65 Decal (Riding Type)_001

Product Overview

Safety Signs and Instruction Signs

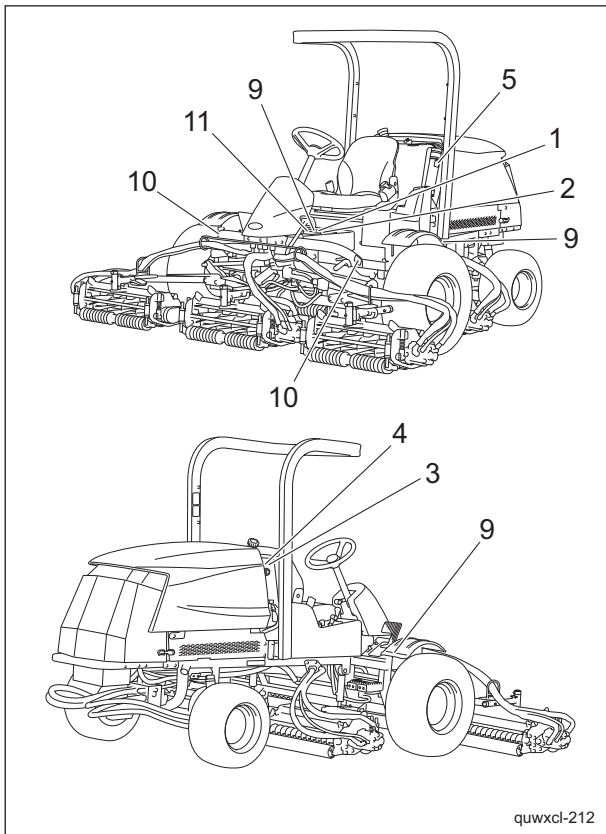
About Safety Signs and Instruction Signs

Important

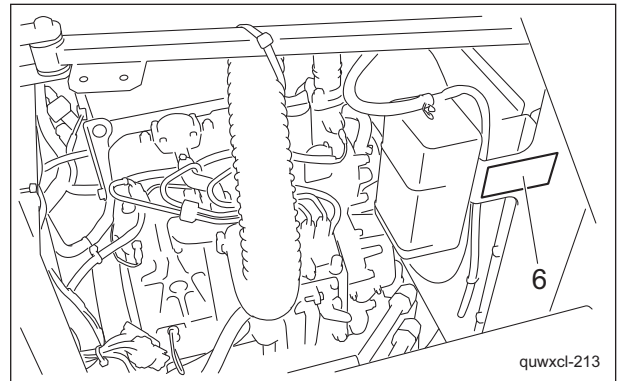
Safety decals and instruction decals are attached to this product. Make sure that they are preserved in their entirety. If they are damaged, become dirty, or peel off, replace them with new ones.

Part numbers for decals that need to be replaced are listed in the parts catalog. Order them from a Baroness dealer or Kyoisha.

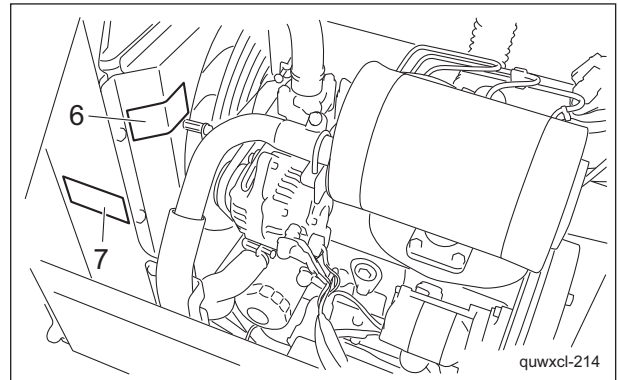
Positions of Safety Decals and Instruction Decals



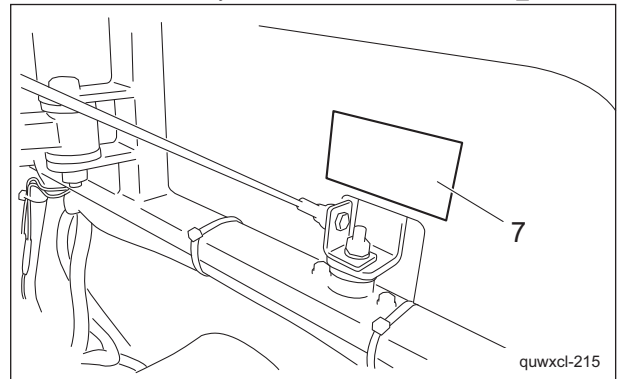
Positions of Safety Decals and Instruction Decals_001



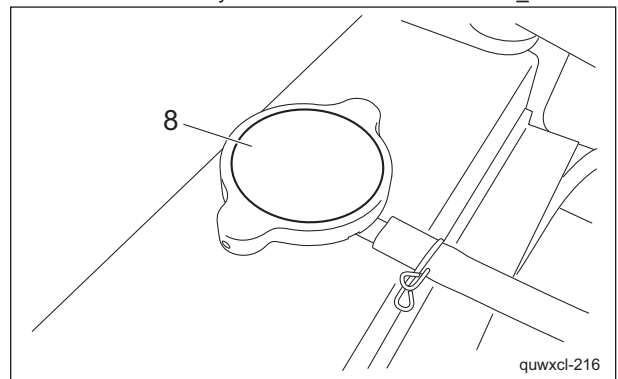
Positions of Safety Decals and Instruction Decals_002



Positions of Safety Decals and Instruction Decals_003



Positions of Safety Decals and Instruction Decals_004



Positions of Safety Decals and Instruction Decals_005

1	Decal for operation 2
2	Hydraulic oil icon
3	Diesel fuel icon
4	Fire prohibited decal
5	Decal on reading owner's operating manual
6	Caution to rotating object decal
7	Caution to hot parts decal
8	Caution for spouting coolant decal
9	DO NOT STEP caution decal
10	Caution for mower lock decal
11	Caution to noise decal

Description of Safety Decals and Instruction Decals

Decal for Operation 2

Decal for operation 2
LM2400-0918Z0

1.



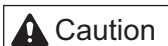
Warning
Read the Owner's Operating Manual.

2.



Warning
Apply the parking brake, stop the engine, remove the ignition key, and then leave the machine.

3.



Caution
Flying objects - Be sure that people around the machine keep a safe distance away.

4.



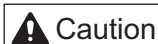
Warning
May cut your hand or leg - Keep hands and feet away from moving parts.

5.

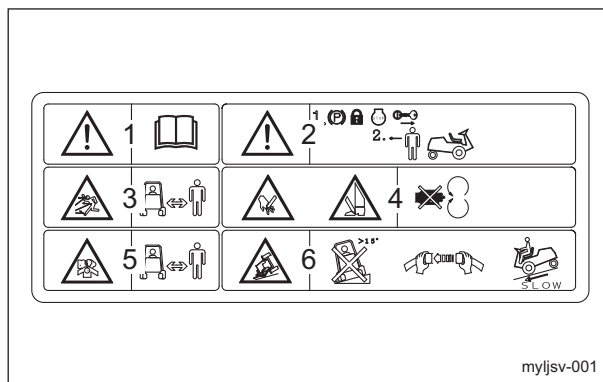


Warning
Be careful of exhaust emissions.

6.



Caution
Rollover - Do not work on slopes of 15 degrees or more.
When you descend a slope, lower the mower units and then drive at low speed.
For ROPS equipped machine, fasten your seatbelt.

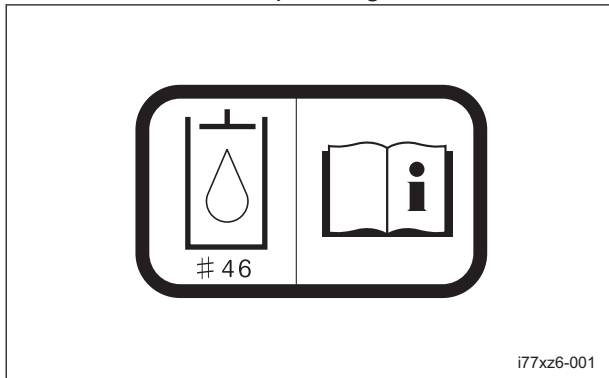


Decal for Operation 2_001

Product Overview

Hydraulic Oil Icon

K4209000980
Hydraulic oil icon
Read the Owner's Operating Manual.

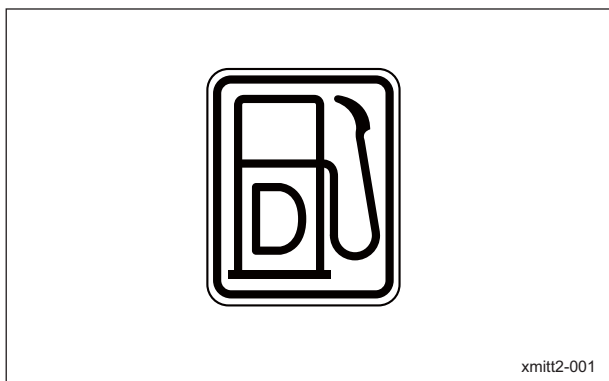


Hydraulic Oil Icon_001

i77xz6-001

Diesel Fuel Icon

K4209001000
Diesel fuel icon
Use diesel fuel.

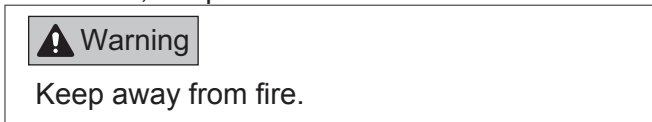


Diesel Fuel Icon_001

xmitt2-001

Fire Prohibited Decal

K4205001940
Decal, fire prohibited

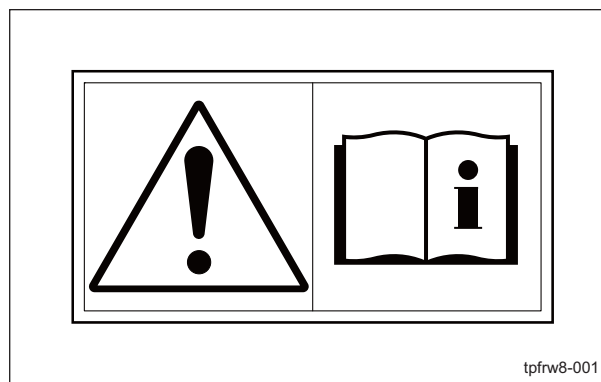
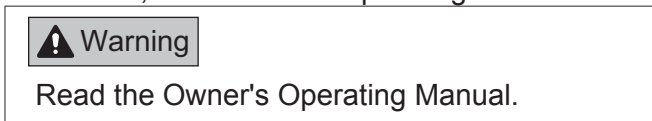


Fire Prohibited Decal_001

r653fo-001

Decal on Reading Owner's Operating Manual

K4205001560
Decal, read Owner's Operating Manual



Decal on Reading Owner's Operating Manual_001

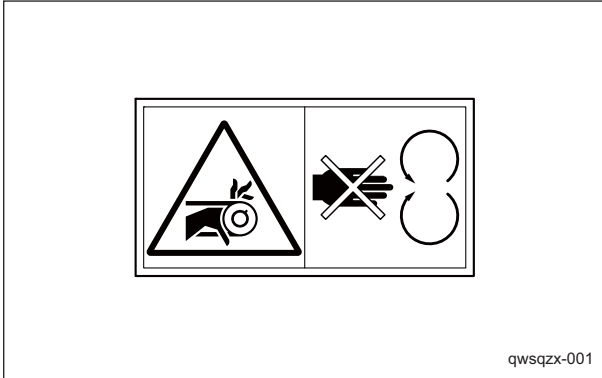
tpfrw8-001

Caution to Rotating Object Decal

K4205001530
Decal, caution to rotating object

Warning

Watch for rotating parts - Keep your hands away from the belts while the engine is running.



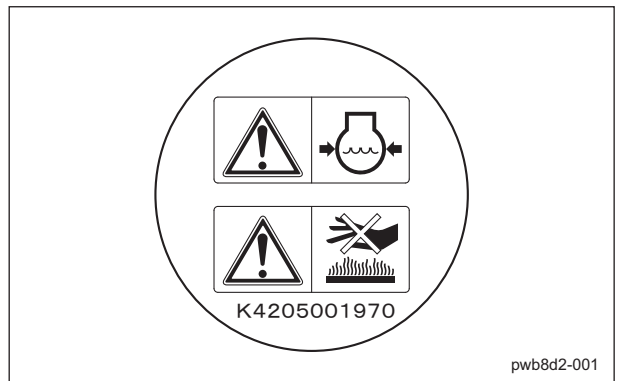
Caution to Rotating Object Decal_001

Caution for Spouting Coolant Decal

K4205001970
Decal, caution for spouting coolant

Caution

Caution for spouting coolant - Do not open while hot.
High temperature - Do not touch. Otherwise, you will get burned.



Caution for Spouting Coolant Decal_001

Caution to Hot Parts Decal

K4205001540
Decal for caution to hot parts

Caution

High temperature - Do not touch. Otherwise, you will get burned.



Caution to Hot Parts Decal_001

DO NOT STEP Caution Decal

K4209001340
Decal, caution "DO NOT STEP"

Caution

Do not step.



DO NOT STEP Caution Decal_001

Product Overview

Caution for Mower Lock Decal

K4205001900

Decal, caution for mower lock

Lock the mower units when traveling or storing with the mower units #4 and 5 raised.



Caution for Mower Lock Decal_001

Caution to Noise Decal

K4205001330

DECAL, CAUTION TO NOISE



Caution to Noise Decal_001

Handling Instructions

Inspections	Page 4-2	Stop Valve	Page 4-29
Radiator Cover	Page 4-2	Mower Lock Lever (Latch)	Page 4-29
Radiator	Page 4-2	Reel Rotation Switch	Page 4-29
Coolant	Page 4-3	Reel Reverse Switch	Page 4-30
Oil Cooler	Page 4-4	Reel Rotation/Stop Switching Lever	Page 4-30
Hydraulic Oil	Page 4-5	Traveling Pedal	Page 4-31
Air Cleaner	Page 4-6	Brake Pedal	Page 4-31
Battery	Page 4-7	Parking Brake Lock Lever	Page 4-31
Tire	Page 4-8	Hood	Page 4-32
Brake	Page 4-8	Underseat Cover	Page 4-32
Belt	Page 4-8	Instruments	Page 4-33
Wire	Page 4-8	Instruments on the Operation Panel	Page 4-33
Around The Engine	Page 4-8	Water Temperature Gauge	Page 4-33
Engine Oil	Page 4-9	Fuel Gauge	Page 4-33
Fuel	Page 4-10	Pilot Lamps	Page 4-34
Water Separator	Page 4-11	Hour Meter	Page 4-35
Fuel Filter	Page 4-13	Travel of Machine	Page 4-35
Oil Leakage	Page 4-13	Traveling Procedure	Page 4-35
Grass Catcher	Page 4-13	Towing the Machine	Page 4-36
Tightening Torques	Page 4-14	Cutting Work	Page 4-37
Standard Tightening Torques	Page 4-14	Cutting Operation	Page 4-37
Principal Tightening Torques	Page 4-16	Removal/Installation of Grass Catcher	Page 4-37
Adjustment before Work	Page 4-17	Transporting	Page 4-38
Adjustment of Steering Wheel	Page 4-17	Transporting Procedure	Page 4-38
Adjustment of Seat	Page 4-17	Storage	Page 4-38
Adjustment of Mower Stopper Pin	Page 4-18	Before Long-Term Storage	Page 4-38
Procedure to Start/Stop Engine	Page 4-19		
Start/Stop of Engine	Page 4-19		
Safety Mechanisms	Page 4-21		
Warning Mechanisms	Page 4-21		
Operation Method	Page 4-22		
Cautions for when You Leave The Machine	Page 4-22		
Positions of Operation Decals	Page 4-22		
Description of Operation Decals	Page 4-24		
Light Switch	Page 4-27		
Throttle Lever	Page 4-28		
Mower Unit Up/Down Lever	Page 4-28		

Handling Instructions

Inspections

Inspect the machine according to the maintenance schedule so that you will be able to take advantage of its optimum performance for a long period of time.

Radiator Cover

Inspection of Radiator Cover

1. Make sure that there is no damage to the radiator cover.
2. Make sure that the radiator cover is not contaminated.

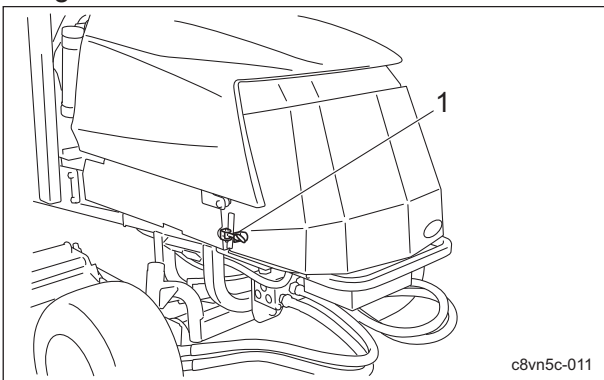
Cleaning of Radiator Cover

Important

An unclean radiator cover may cause overheating or damage to the engine. It may also cause malfunction of the hydraulic system.

If the radiator cover has been contaminated with dust, be sure to clean it. Especially after operating the machine in a dusty environment, it is important to remove dust as soon as possible.

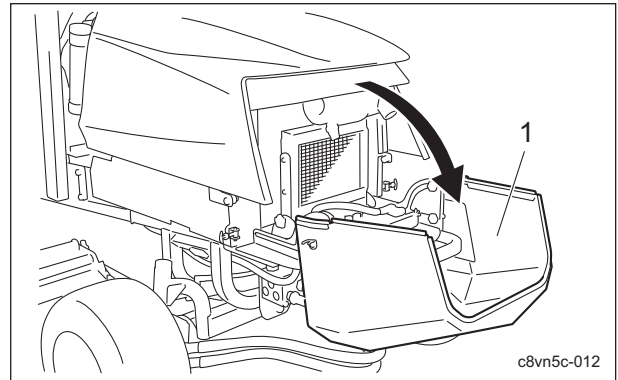
1. Unlock the rubber hooks on the left and right sides.



Cleaning of Radiator Cover_001

1	Rubber hook
---	-------------

2. Pull the radiator cover to the back to open it.



Cleaning of Radiator Cover_002

1	Radiator cover
---	----------------

3. Carefully clean the front and back of the radiator cover with water or compressed air.

Radiator

Inspection of Radiator

1. Make sure that there is no damage to the radiator.
2. Make sure that the radiator is not contaminated.

Cleaning of Radiator

Important

An unclean radiator may cause overheating or damage to the engine. It may also cause malfunction of the hydraulic system.

Important

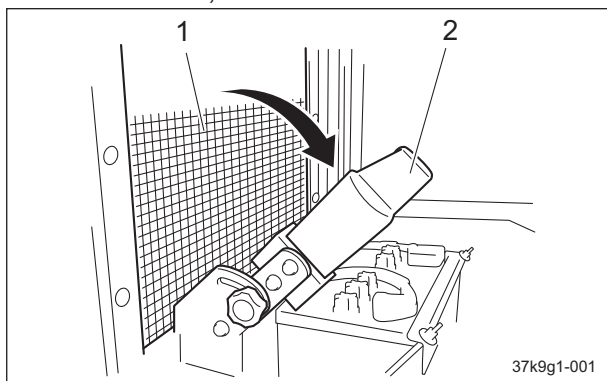
Do not use solid objects, such as a spatula or screwdriver, or high-pressure water to clean the radiator or oil cooler. Otherwise, special fins or tubes may be damaged, possibly resulting in reduced cooling performance or coolant leakage.

If the radiator has been contaminated with dust, be sure to clean it. After operating the machine in a dusty environment, it is important to remove dust as soon as possible.

1. Open the radiator cover.

Handling Instructions

- Loosen the knobs on the left and right of the oil cooler, and then tilt the oil cooler.



Cleaning of Radiator_001

1	Radiator
2	Oil cooler

- Carefully clean the front and back of the radiator with water or compressed air.

Coolant

Inspection of Coolant

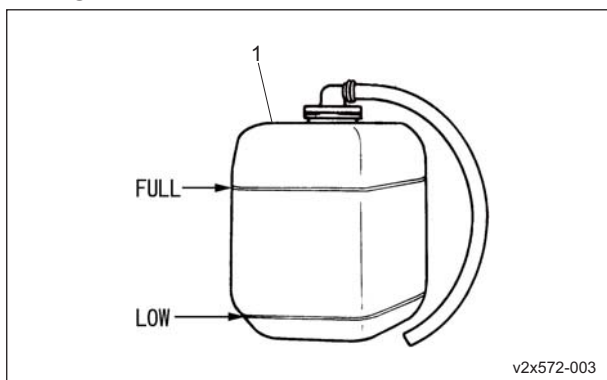
Caution

Do not touch the radiator or coolant during engine operation or immediately after the engine has been turned off. Otherwise, you may get burned.

Caution

Inspection should take place after the engine has well cooled down.

- Make sure that the coolant level in the reserve tank is between "FULL" and "LOW".



Inspection of Coolant_001

1	Reserve tank
---	--------------

Coolant Supply

Caution

Do not touch the radiator or coolant during engine operation or right after the engine has been turned off. Due to high temperatures, doing so could cause burns.

Caution

Supply coolant after the engine has well cooled down.

Caution

The radiator cap is pressurized. If you remove the radiator cap while the engine is overheated, hot steam will burst out, possibly resulting in burns. Make sure that the water temperature and pressure are reduced, and then grab the cap with a thick cloth and gradually open the cap.

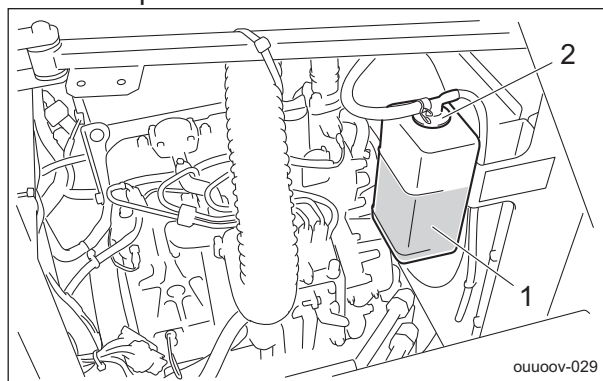
Important

When you supply coolant, be sure to use clean water, such as tap water.

Important

Tightly close the radiator cap. If the cap is loose or incorrectly installed, water may leak and the engine may overheat.

- If the coolant level in the reserve tank is lower than the "LOW" mark, open the reserve tank cap and fill the tank with clean water up to the "FULL" mark.



Coolant Supply_001

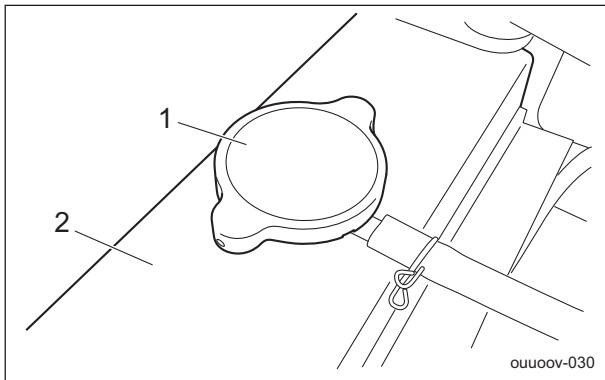
Handling Instructions

1	Reserve tank
2	Reserve tank cap

2. If no coolant is in the reserve tank, follow the steps below to fill the tank with clean water.

[1] Open the radiator cap, and then supply clean water up to the opening.

[2] Open the reserve tank cap, and then supply clean water up to the "FULL" mark.



Coolant Supply_002

1	Radiator cap
2	Radiator

Oil Cooler

Inspection of Oil Cooler

1. Make sure that there is no damage to the oil cooler.
2. Make sure that the oil cooler is not contaminated.

Cleaning of Oil Cooler

⚠ Caution

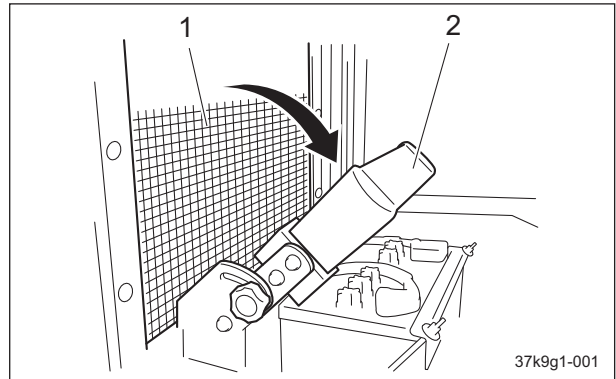
An unclean oil cooler may cause malfunction of the hydraulic system.

Important

Do not use solid objects, such as a spatula or screwdriver, or high-pressure water to clean the radiator or oil cooler. Otherwise, special fins or tubes may be damaged, possibly resulting in reduced cooling performance or coolant leakage.

If the oil cooler has been contaminated with dust, be sure to clean it. After operating the machine in a dusty environment, it is important to remove dust as soon as possible.

1. Open the radiator cover.
2. Loosen the knobs on the left and right of the oil cooler, and then tilt the oil cooler.



Cleaning of Oil Cooler_001

1	Radiator
2	Oil cooler

3. Carefully clean the front and back of the oil cooler with water or compressed air.

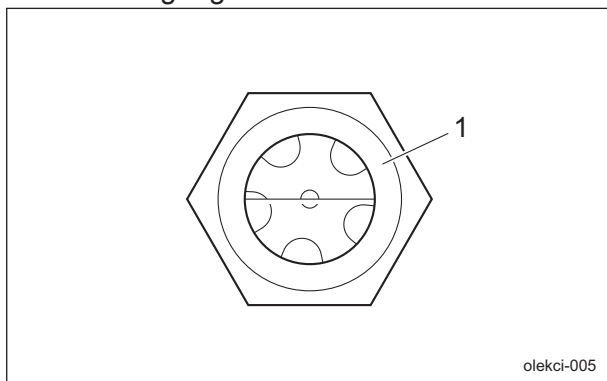
Handling Instructions

Hydraulic Oil

Inspection of Hydraulic Oil

The oil gauge is on the side of the hydraulic tank.

1. Lower the mower units and maintain that position on a level surface.
2. Make sure that the oil level is at the middle of the oil gauge.



Inspection of Hydraulic Oil_001

- | | |
|---|-----------|
| 1 | Oil gauge |
|---|-----------|

3. Check underneath the machine for oil leakage.

Hydraulic Oil Supply

Important

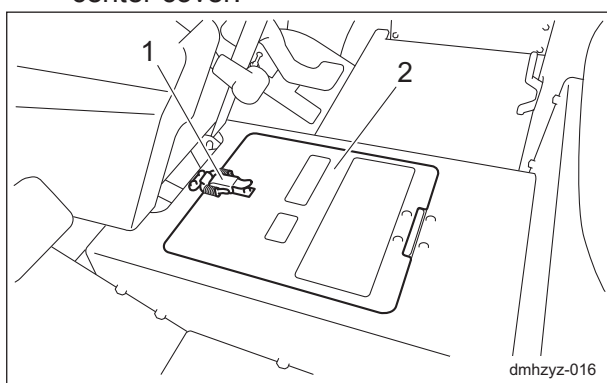
Do not mix different types of oil.

Important

Use Shell Tellus S2M46 (or equivalent) as hydraulic oil.

1. Follow the steps below to supply hydraulic oil if the oil level is low.

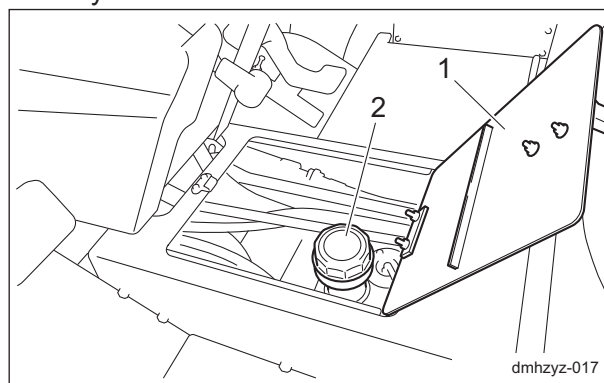
- [1] Release the catch clip and open the center cover.



Hydraulic Oil Supply_001

1	Catch clip
2	Center cover

- [2] Open the tank cap and pour hydraulic oil from the fill port until the oil level reaches the middle of the oil gauge on the hydraulic tank.



Hydraulic Oil Supply_002

1	Center cover
2	Tank cap

- [3] Tighten the tank cap securely.
 - [4] Close the center cover and fasten with the catch clip.
2. Start the engine, raise and lower the mower units, and turn the steering wheel left and right. Move forward and reverse repeatedly several times.
 3. Lower the mower units and maintain that position on a level surface, and then check to see if the oil level is at the middle of the oil gauge. If necessary, supply oil.
 4. Check underneath the machine for oil leakage.

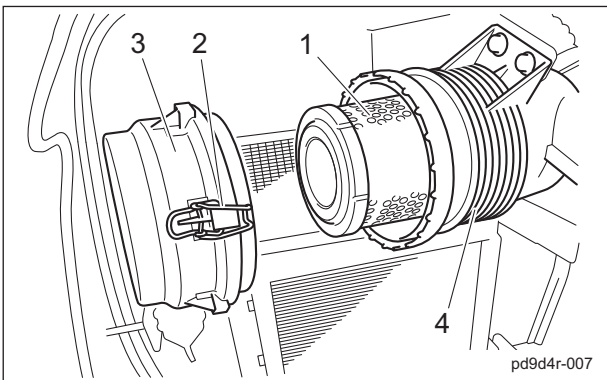
Handling Instructions

Air Cleaner

Inspection of Air Cleaner

For details on handling the engine, please refer to the separate Engine Handling Manual. The air cleaner is a component that removes dirt from the intake air to prevent wear of the cylinder liners and piston rings so that the engine will always operate smoothly. A contaminated air cleaner element may cause malfunction of the engine.

1. Make sure that there is no damage to the air cleaner.
2. Make sure that the air cleaner element is not contaminated.

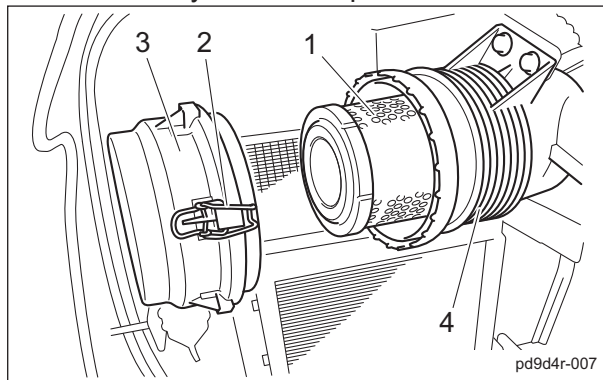


Inspection of Air Cleaner_001

1	Air cleaner element
2	Clip
3	Air cleaner cap
4	Air cleaner body

[3] Attach the air cleaner element to the air cleaner body.

[4] Replace the air cleaner cap, and then fix it securely with the clips.



Cleaning of Air Cleaner_001

1	Air cleaner element
2	Clip
3	Air cleaner cap
4	Air cleaner body

Cleaning of Air Cleaner

For details on handling the engine, please refer to the separate Engine Handling Manual. A contaminated air cleaner element may cause malfunction of the engine. To maximize the life of the engine, clean the air cleaner properly.

1. Follow the steps below to clean the air cleaner.

[1] Remove the clips from the two locations, remove the air cleaner cap, and then remove the air cleaner element.

[2] While paying close attention not to damage the air cleaner element, tap a solid portion of the air cleaner element or blow compressed air from its inside to remove dust and dirt.

If the air cleaner element is extremely contaminated, replace it with a new one.

Handling Instructions

Battery

Inspection of Battery

⚠ Danger

Keep fire away while inspecting or charging the battery.
The battery may explode.

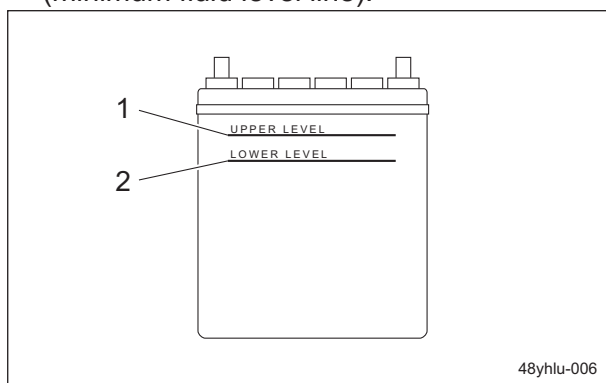
⚠ Warning

Do not allow the battery fluid level to become lower than the LOWER LEVEL (minimum fluid level line).
The battery may explode if it is used or charged while the battery fluid level is at the LOWER LEVEL (minimum fluid level line).

⚠ Caution

Implement after the engine and muffler etc. have well cooled down.
Otherwise you may get burned.

1. Clean the areas around the battery fluid level lines using a cloth dampened with water.
2. Make sure that the battery fluid level is between the UPPER LEVEL (maximum fluid level line) and the LOWER LEVEL (minimum fluid level line).



Inspection of Battery_001

1	UPPER LEVEL
2	LOWER LEVEL

Supply of Battery Fluid

⚠ Danger

Be careful not to let your skin, eyes or clothes, etc., come into contact with the battery fluid or accidentally swallow the fluid.
Should your skin or clothes come into contact with the battery fluid, immediately wash them away with water.

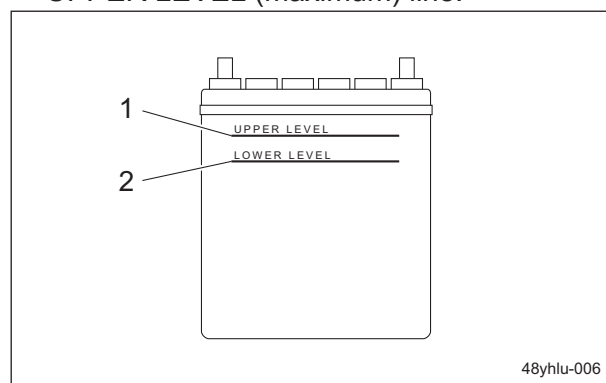
⚠ Danger

When you supply battery fluid, wear protective garments and safety glasses, etc.

⚠ Caution

Implement after the engine and muffler etc. have well cooled down.
Otherwise you may get burned.

1. If the battery fluid level is lower than halfway between the UPPER LEVEL (maximum) line and LOWER LEVEL (minimum) line, add purified water up to the UPPER LEVEL (maximum) line.



Supply of Battery Fluid_001

1	UPPER LEVEL
2	LOWER LEVEL

Handling Instructions

Tire

Inspection of Tires

1. Check the pneumatic pressure of the tires.
2. Make sure that there are no cracks, damage or abnormal wear.

	Tire size	Pneumatic pressure
Front wheel	(26.0 x 12.00 - 12)	140 kPa (1.4 kgf/cm ²)
Rear wheel	(20 x 10.00 - 10)	100 kPa (1.0 kgf/cm ²)

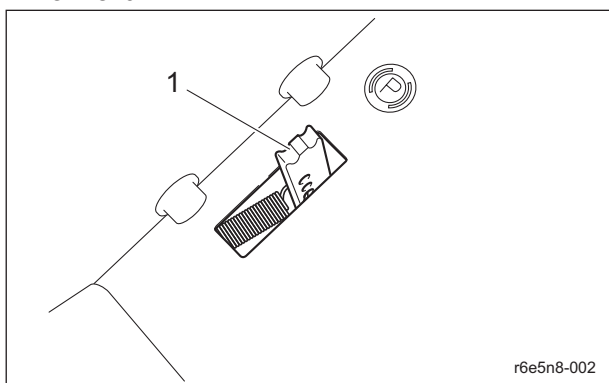
Brake

Inspection of Brake

While traveling, depress the brake pedal firmly to make sure that the brake is applied effectively.

Inspection of Parking Brake

1. Make sure that the parking brake is applied after depressing the brake pedal and moving the parking brake lock lever forward.



Inspection of Parking Brake 001

1	Parking brake lock lever
---	--------------------------

2. Make sure that the brake is not applied even slightly after you depress the brake pedal to release it.

Belt

Inspection of Belt

Warning

The engine must be stopped when the belt is inspected.

Important

A slacking or damaged belt or damaged fan may cause overheating or lack of a battery charge.

1. Press the middle of the belt with your finger to check the belt tension.
2. Make sure that there are no cracks, damage or abnormal wear.

Wire

Inspection of Wire

1. Make sure that the wire is not cracked or damaged.
2. If the wire is cracked or damaged, replace it with a new one immediately.

Around The Engine

Inspection of Engine-Associated Parts

1. Check the fuel system parts for loosened or cracked joints and leakage. Replace the parts if necessary.
2. Blow compressed air to clean any grass or flammable materials that may be attached on or around the muffler.

Handling Instructions

Engine Oil

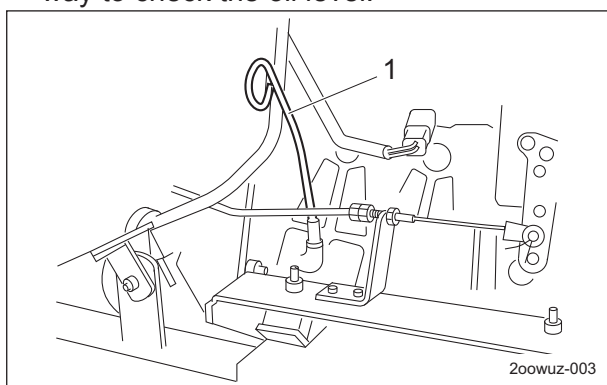
Inspection of Engine Oil

For details on handling the engine, please refer to the Owner's Manual for the engine.

Important

Securely tighten the oil level gauge and oil filler cap.

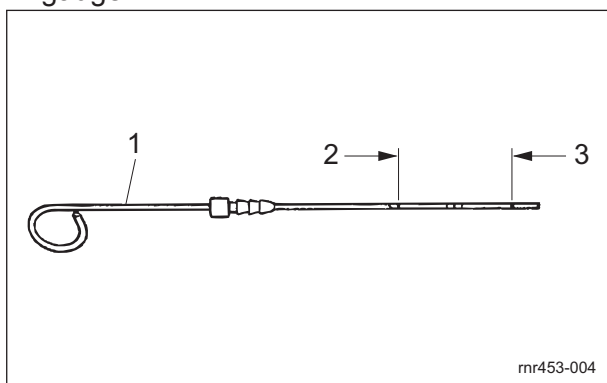
1. Stop the engine, wait for 10 to 20 minutes for the engine to cool down, then check the oil level.
2. Position the machine so that the engine will be level, then insert the oil gauge all the way to check the oil level.



Inspection of Engine Oil_001

1	Oil gauge
---	-----------

3. The appropriate oil level should be between the upper and lower limit lines on the gauge.



Inspection of Engine Oil_002

1	Oil gauge
2	Upper limit
3	Lower limit

Supply of Engine Oil

For details on handling the engine, please refer to the Owner's Manual for the engine.

Important

Do not supply too much engine oil. Otherwise, the engine may be damaged.

Important

Do not mix different types of engine oil.

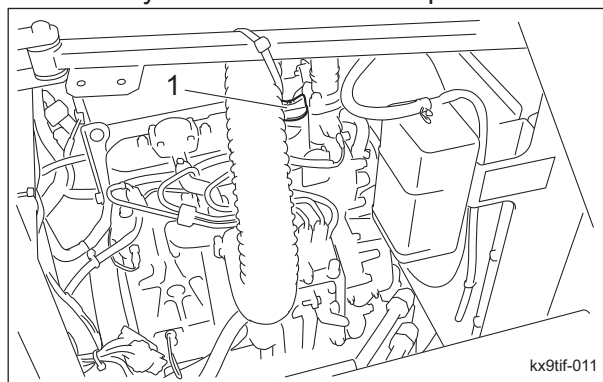
Important

Be sure to use engine oil that is classified as API Service Grade CF or higher, with an SAE Viscosity that is appropriate for the operating environment (ambient temperature).

Important

Securely tighten the oil level gauge and oil filler cap.

1. Engine oil is supplied through the oil filling port.
Remove the oil filler cap, and then supply new engine oil until the oil reaches a level in between the upper and lower limit lines on the oil level gauge.
2. Securely install the oil filler cap.



Supply of Engine Oil_001

1	Oil filler cap
---	----------------

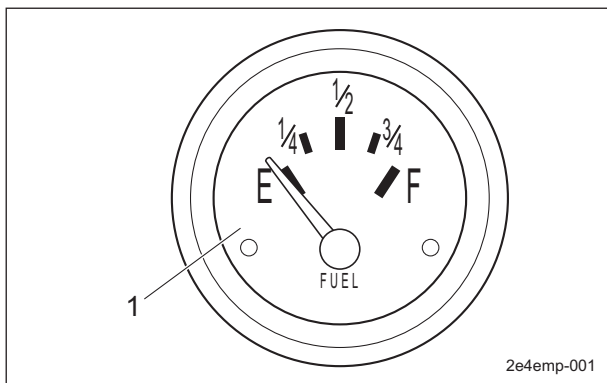
3. It will take a while for the supplied engine oil to descend into the oil pan.
Check the oil level again 10 to 20 minutes after supplying the oil.

Handling Instructions

Fuel

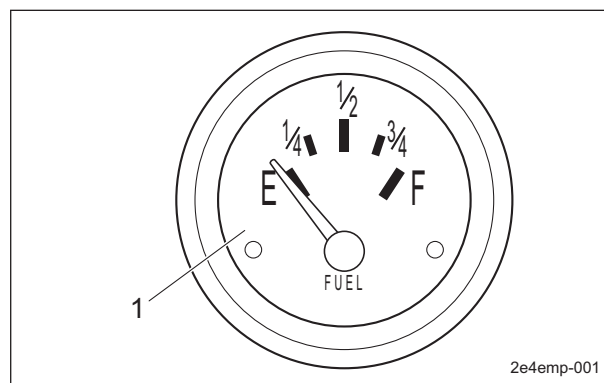
Inspection of Fuel Quantity

With the machine on a level surface, observe the fuel gauge in the operation panel to check the fuel level.



Inspection of Fuel Quantity_001

1	Fuel gauge
---	------------

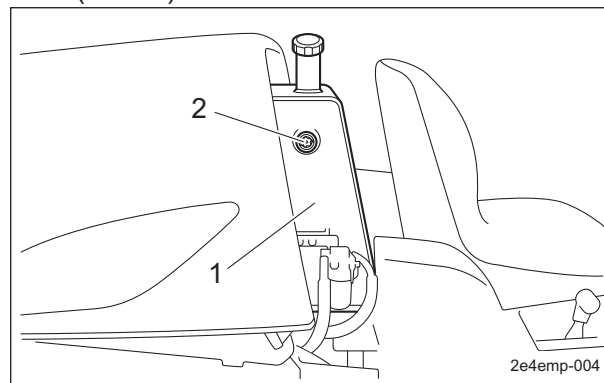


Fuel Supply_001

1	Fuel gauge
---	------------

Refuel up to the middle (marked in red) of the fuel gauge.

The fuel tank capacity is approximately 38.0 dm³ (38.0 L).



Fuel Supply_002

1	Fuel tank
2	Fuel gauge

Fuel Supply

⚠ Danger

Do not supply fuel above the middle (marked in red) of the fuel gauge.
If you supply too much fuel, it might overflow from the fuel cap when you travel or work on a slope.

⚠ Warning

Keep fire away while refueling.
Do not smoke while refueling.

⚠ Caution

Supply fuel before starting the engine.
Never remove the tank cap or supply fuel while the engine is running.
When opening the tank cap, wait at least 1 minute after stopping the engine, and then slowly open the cap to release the pressure in the tank.
Opening the tank cap quickly may cause fuel to burst out.

If the fuel gauge located in the operation panel indicates a level close to E (EMPTY), supply fuel (diesel) at your earliest convenience.

Handling Instructions

Water Separator

Inspection of Water Separator

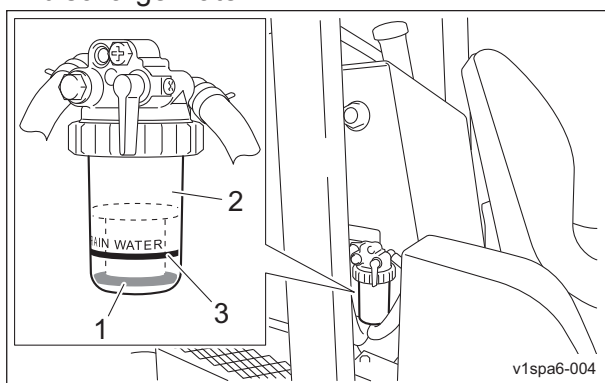
For details on handling the engine, please refer to the Engine's Owner's Manual.

Important

Water contamination in the fuel may decrease the engine starting performance and power output and may result in breakage of engine parts.

The water separator removes water from the fuel.

1. Make sure that debris and water have not accumulated in the cup.
With the float raised, water incorporation is confirmed.
When the float reaches the discharge level, discharge water.



Inspection of Water Separator_001

1	Float
2	Cup
3	Discharge level

Draining of Water Separator

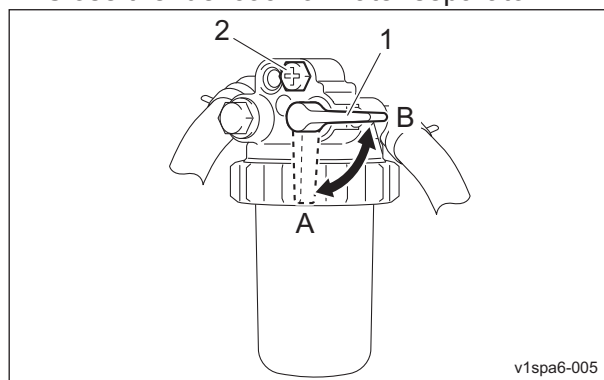
Important

Water contamination in the fuel may decrease the engine starting performance and power output and may result in breakage of engine parts.

Drain water from the water separator according to the maintenance schedule. And drain water whenever the float is raised by water.

1. Stop the engine, and then turn the key switch to the "OFF" position.
2. Place a container under the water separator.

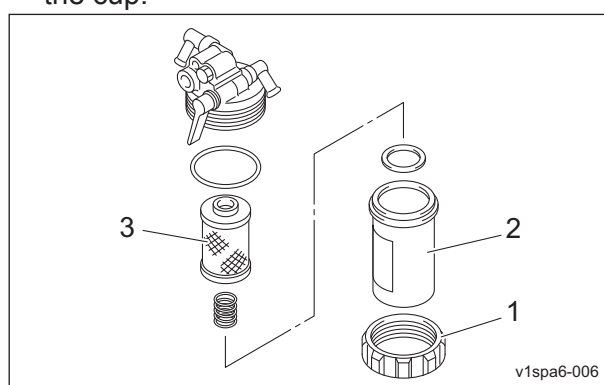
3. Close the fuel filter cock.
4. Close the fuel cock of water separator.



Draining of Water Separator_001

1	Fuel cock
2	Air-bleeding plug
A	ON (Open)
B	OFF (Close)

5. Remove the retaining ring and then remove the cup.



Draining of Water Separator_002

1	Retaining ring
2	Cup
3	Element

6. Discharge water from the cup.

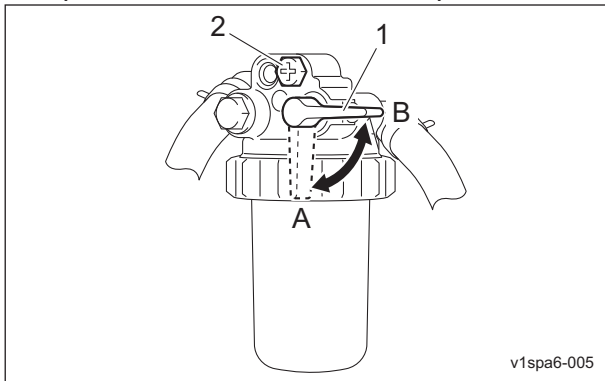
Important

When installed, be careful that it is not contaminated with dirt or dust. If the fuel is contaminated with dirt or dust etc., the fuel injection pump and injection nozzle will become worn.

7. Put the parts back together.
8. Fill up the fuel tank with fuel and open the fuel cock.

Handling Instructions

9. Open the fuel cock of water separator.



Draining of Water Separator_003

1	Fuel cock
2	Air-bleeding plug
A	ON (Open)
B	OFF (Close)

10. Loosen the air-bleeding plug by one turn.

11. Set the ignition key to the "ON" position.

After the fuel pump operated, the cup becomes filled with fuel and air bleeding occurs automatically.

12. Turn the key to the "START" position and remove air out of the fuel line.

13. In the case that there are still air bubbles in the fuel from air-bleeding plug even after 15 seconds or more pass after setting the ignition key to "START", pause for 30 seconds or more and then repeat the same steps.

14. Tighten the air-bleeding plug.

Cleaning of Water Separator

Important

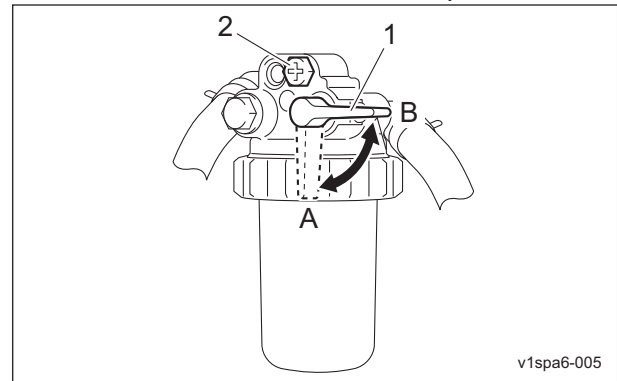
Water contamination in the fuel may decrease the engine starting performance and power output and may result in breakage of engine parts.

Clean the water separator according to the maintenance schedule.

And clean it whenever debris has accumulated in the cup.

1. Stop the engine, and then turn the ignition key to the "OFF" position.
2. Place a container under the water separator.
3. Close the fuel filter cock.

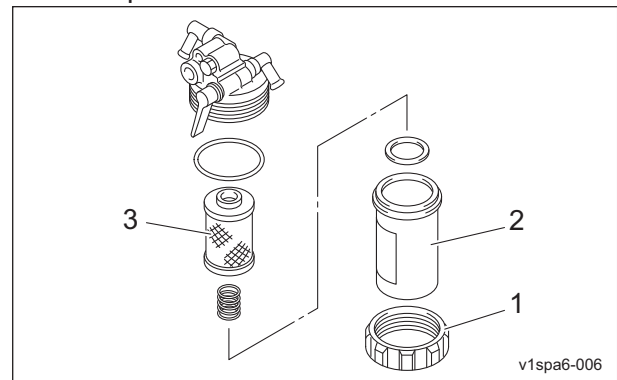
4. Close the fuel cock of water separator.



Cleaning of Water Separator_001

1	Fuel cock
2	Air-bleeding plug
A	ON (Open)
B	OFF (Close)

5. Remove the retaining ring and then remove the cup.



Cleaning of Water Separator_002

1	Retaining ring
2	Cup
3	Element

6. Discharge water from the cup.

7. Clean the cup and element with light oil. Replace the element with new one as necessary.

Important

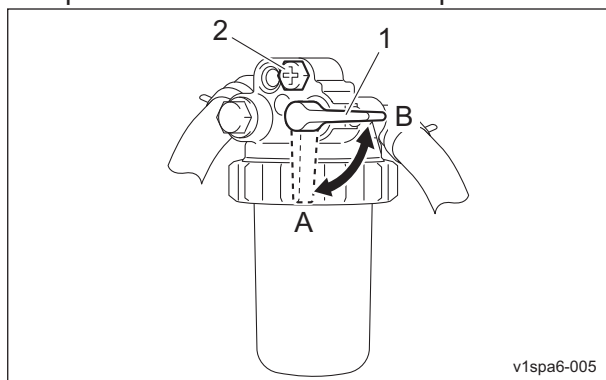
When installed, be careful that it is not contaminated with dirt or dust. If the fuel is contaminated with dirt or dust etc., the fuel injection pump and injection nozzle will become worn.

8. Put the parts back together.

9. Fill up the fuel tank with fuel and open the fuel cock.

Handling Instructions

10. Open the fuel cock of water separator.



Cleaning of Water Separator_003

1	Fuel cock
2	Air-bleeding plug
A	ON (Open)
B	OFF (Close)

11. Loosen the air-bleeding plug by one turn.
12. Set the ignition key to the "ON" position.
After the fuel pump operated, the cup becomes filled with fuel and air bleeding occurs automatically.
13. Turn the key to the "START" position and remove air out of the fuel line.
14. In the case that there are still air bubbles in the fuel from air-bleeding plug even after 15 seconds or more pass after setting the ignition key to "START", pause for 30 seconds or more and then repeat the same steps.
15. Tighten the air-bleeding plug.

Fuel Filter

Inspection of Fuel Filter

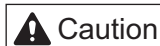
The fuel filter is positioned between the fuel strainer and the engine, and cleans the fuel flowing into the carburetor.

When the fuel flow becomes insufficient, replace the fuel filter if necessary.

1. Make sure that there is no fuel leakage.
2. Make sure that the fuel filter is not damaged or dirty.

Oil Leakage

Inspection of Oil Leakage



Caution

When performing maintenance on the hydraulic system, lower the mower units.

After approximately 50 hours of operation, some tightened portions may be loosened and oil and grease may leak.

Be sure to retighten the parts.

Check the bottom of the machine for oil and grease leakage.

Grass Catcher

Inspection of Grass Catcher

The grass catcher may no longer correctly collect grass clippings due to its wear, damage, deformation, etc., caused by frequent use.

1. Make sure that there is no wear or deterioration of the grass catcher.
2. Make sure that there is no damage to the grass catcher.
3. Make sure that there is no interference to moving parts due to deformation of the grass catcher.

Handling Instructions

Tightening Torques

Important

Refer to the Tightening Torque table.
Note that the Baroness product warranty may not apply to defects caused by incorrect or overtorque tightening, etc.

Standard Tightening Torques

Bolts and Nuts

Important

A number of bolts are used in each part of this machine.
Be sure to re-tighten the bolts and nuts, because they may be loosened at the earlier stage of the use.

As to the bolts and nuts without any special instruction, tighten them in appropriate tightening torque with proper tool.

Too much tightening may cause the looseness or damage of the screw.

The strength of tightening is determined by types of screws, strength, the friction of thread face or base face and others.

The table below is for the galvanized or parkerized bolts.

In case that the strength of internal thread is weak, it is not applied.

Do not use rusty or sand attached "screw."

Otherwise, it may cause insufficient tightening even if you apply the specified tightening torque.

The friction of the screw face becomes higher and the tightening torque is canceled out by the friction, therefore sufficient tightening cannot be applied.

If "screw" is wet by water or oil, do not tighten it with normal tightening torque.

If the screw is wet, the torque coefficient will get smaller and it may result in too much tightening.


Too much tightening may cause looseness by the screw stretched or result in damage.



Do not use a bolt experienced too much burden.

Using the impact wrench requires the skill.

Do exercise as much as possible for steady tightening.

Handling Instructions

Nominal diameter	General bolt		
	Strength classification 4.8		
	 tib3yb-001		
	N-m	kgf-cm	lb-in
M5	3 - 5	30.59 - 50.99	26.55 - 44.26
M6	7 - 9	71.38 - 91.77	61.96 - 79.66
M8	14 - 19	142.76 - 193.74	123.91 - 168.17
M10	29 - 38	295.71 - 387.49	256.68 - 336.34
M12	52 - 67	530.24 - 683.20	460.25 - 593.02
M14	70 - 94	713.79 - 958.52	619.57 - 831.99
M16	88 - 112	897.34 - 1142.06	778.89 - 991.31
M18	116 - 144	1,182.85 - 1,468.37	1,026.72 - 1,274.54
M20	147 - 183	1,498.96 - 1,866.05	1,301.10 - 1,619.73
M22	295	3,008.12	2,611.05
M24	370	3,772.89	3,274.87
M27	550	5,608.35	4,868.05
M30	740	7,545.78	6,549.74

Nominal diameter	Heat-treated bolt					
	Strength classification 8.8			Strength classification 10.9		
	 tib3yb-002			 tib3yb-003		
	N-m	kgf-cm	lb-in	N-m	kgf-cm	lb-in
M5	5 - 7	50.99 - 71.38	44.26 - 61.96	7 - 10	71.38 - 101.97	61.96 - 88.51
M6	8 - 11	81.58 - 112.17	70.81 - 97.36	14 - 18	142.76 - 183.55	123.91 - 159.32
M8	23 - 29	234.53 - 295.71	203.57 - 256.68	28 - 38	285.52 - 387.49	247.83 - 336.34
M10	45 - 57	458.87 - 581.23	398.30 - 504.51	58 - 76	591.43 - 774.97	513.36 - 672.68
M12	67 - 85	683.20 - 866.75	593.02 - 752.34	104 - 134	1,060.49 - 1,366.40	920.50 - 1186.03
M14	106 - 134	1,080.88 - 1,366.40	938.21 - 1,186.03	140 - 188	1,427.58 - 1,917.04	1,239.14 - 1,663.99
M16	152 - 188	1,549.94 - 1,917.04	1,345.35 - 1,663.99	210 - 260	2,141.37 - 2,651.22	1,858.71 - 2,301.26
M18	200 - 240	2,039.40 - 2,447.28	1,770.20 - 2,124.24	280 - 340	2,855.16 - 3,466.98	2,478.28 - 3,009.34
M20	245 - 295	2,498.27 - 3,008.12	2,168.50 - 2,611.05	370 - 450	3,772.89 - 4,588.65	3,274.87 - 3,982.95
M22	-	-	-	530	5,404.41	4,691.03
M24	-	-	-	670	6,831.99	5,930.17
M27	-	-	-	1,000	10,197.00	8,851.00
M30	-	-	-	1,340	14,628.78	11,860.34

Note:

The same values are applied to "fine screw thread."

Handling Instructions

Principal Tightening Torques

Tightening Torque by Model

LM531

Tighten the following bolts and nuts at the torque specified in the table.

For thread locking adhesive, apply a middle strength thread locker (ThreeBond 1322 or equivalent anaerobic sealant).

Location	Code	Part name	Tightening torque			Thread locking adhesive	
			N-m	kgf-cm	lb-in		
Front wheel	Motor	K0010120902	Bolt, HT M12-90	104 - 134	1,060.49 - 1,366.40	920.50 - 1,186.03	—
	Wheel mounting base	-	Slotted nut for hydraulic motor 1-20UNEF	280 - 300	2,855.16 - 3,059.10	2,478.28 - 2,655.30	—
	Wheel	K0011120352	Bolt, HT P1.5 M12-35	104 - 134	1,060.49 - 1,366.40	920.50 - 1,186.03	—
Rear wheel	Motor	K0013120702	Bolt, HT M12-70	104 - 134	1,060.49 - 1,366.40	920.50 - 1,186.03	—
	Wheel mounting base	-	Slotted nut for hydraulic motor 1-20UNEF	280 - 300	2,855.16 - 3,059.10	2,478.28 - 2,655.30	—
	Wheel	K0011120352	Bolt, HT P1.5 M12-35	104 - 134	1,060.49 - 1,366.40	920.50 - 1,186.03	—
Engine	K0017100252	Bolt, Small HT P1.25 M10-25	45 - 76	458.87 - 591.43	398.30 - 774.97	—	
		Bolt, Small HT P1.25 M10-25 (Left front upper part of the engine)	29 - 38	295.71 - 387.49	256.68 - 336.34	—	
	K3680000030	M3.5 Screw (accessories)	0.78 - 1.18	7.95 - 12.03	6.90 - 10.44	—	
Tie rod	(K1610000020)	Slotted nut (Tie rod end right ASSY)	45	158.87	98.3	—	
	(K1611000020)	Slotted nut (Tie rod end left ASSY)	45	158.87	98.3	—	
ROPS	K0010120402	Bolt, HT M12-40	104 - 134	1,060.49 - 1,366.40	920.50 - 1,186.03	—	
Kingpin stopper	K0000100252	Bolt, M10-25	52 - 67	530.24 - 683.20	460.25 - 593.02	—	
Cross valve	K0013101302	Bolt, HT M10-130	29 - 38	295.71 - 387.49	256.68 - 336.34	—	
Universal Joint	K001A100401	Bolt, 13T W/Hex Hole M10-40	62 - 72	632.21 - 734.18	548.76 - 637.27	○	
	K0011100252	Bolt, HT P1.25 M10-25	45 - 76	458.87 - 591.43	398.30 - 774.97	—	

Handling Instructions

Adjustment before Work

Adjustment of Steering Wheel

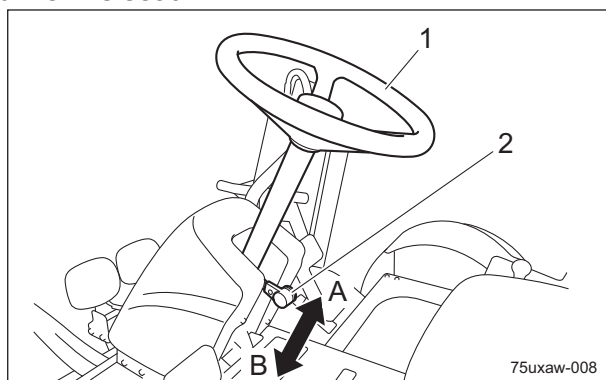
Warning

Since it is dangerous, do not adjust the steering wheel while traveling.

Caution

Be sure the steering wheel position is securely locked. It may result in an unexpected accident if it becomes loose while traveling.

The steering wheel can be adjusted up or down. Adjust the position according to the operator's body size. Shift the tilt lever to the "FREE" position, move the steering wheel to the position that suits your work requirements, and then shift the tilt lever to the "LOCK" position to secure the steering wheel in place. The tilt lever is located at the left in front of the driver's seat.



Adjustment of Steering Wheel_001

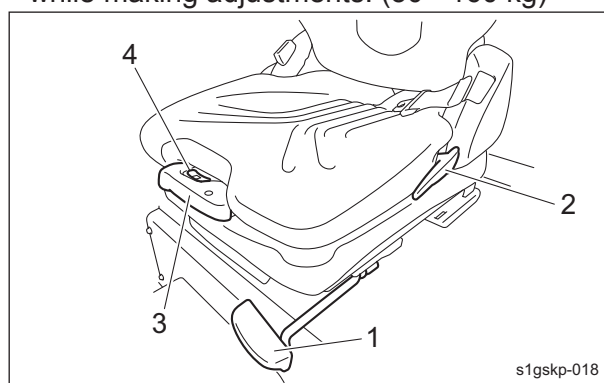
1	Steering wheel
2	Tilt lever
A	FREE (released)
B	LOCK (locked)

Adjustment of Seat

Use the seat adjustment levers to adjust the seat.

Adjust the position to fit the operator.

1. Use the forward/backward adjustment lever to adjust the seat back and forth.
2. Use the backrest tilt adjustment lever to adjust the angle of the backrest.
3. Pull out the suspension adjustment handle and move it up or down to adjust the firmness of the seat suspension. Observe the suspension adjustment scale while making adjustments. (50 - 160 kg)



Adjustment of Seat_001

1	Forward/backward adjustment lever
2	Angle adjustment lever
3	Suspension adjustment handle
4	Suspension adjustment scale

Handling Instructions

Adjustment of Mower Stopper Pin

Note:

Depending on the specifications, this function may not be available.

The mower stopper pin can prevent or allow tilting of the mower units.

Adjust according to the operating conditions.

Fixed:

- The mowing line while traveling straight ahead is a straight line. (The mowing line is easy to see.)
- The mower units do not tilt while operating on slopes, and incomplete mowing can be reduced.

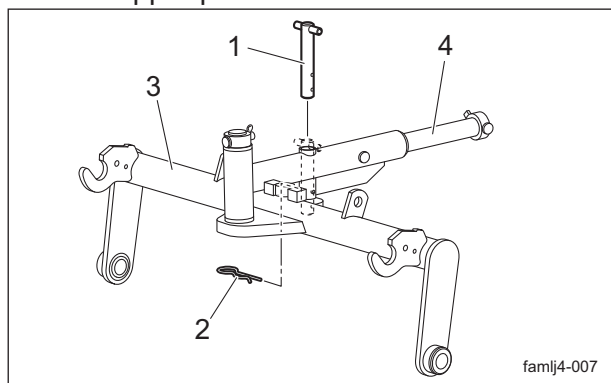
Released:

- It is appropriate when turning while mowing or it is easy to follow undulations.

1. With the machine on a level surface, lower all mower units.
2. Apply the parking brake, and then stop the engine.
3. Adjust the position of the mower stopper pin, and then insert the cotter pin.

To fix:

Insert the cotter pin into the upper hole in the mower stopper pin.

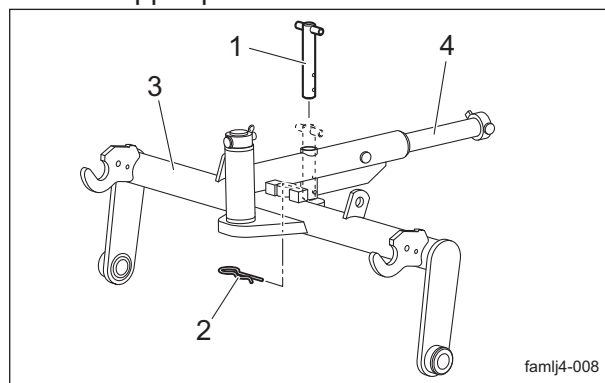


Adjustment of Mower Stopper Pin_001

1	Mower stopper pin
2	Cotter pin
3	Mower arm
4	Mower coupling

To release:

Insert the cotter pin into the lower hole in the mower stopper pin.



Adjustment of Mower Stopper Pin_002

1	Mower stopper pin
2	Cotter pin
3	Mower arm
4	Mower coupling

Handling Instructions

Procedure to Start/Stop Engine

Start/Stop of Engine

Procedure to Start Engine

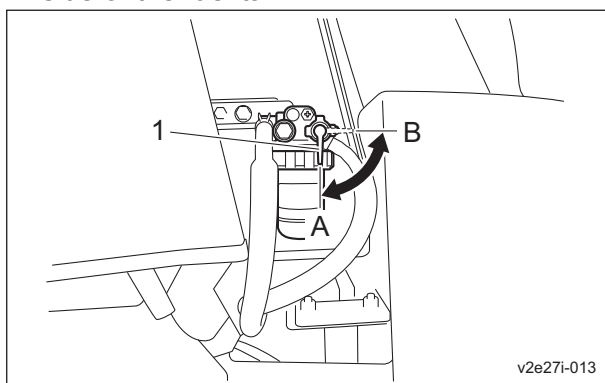
Warning

Before starting the engine, make sure that there are no other people or obstacles around the machine.

Important

Starter operation must take 15 seconds or less.
If the engine still does not start, stop using the battery for 30 to 60 seconds to avoid exhausting the battery.

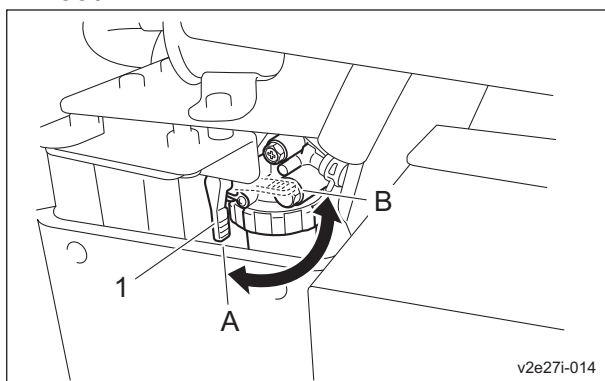
1. Open the fuel cock of the water separator. The water separator is located on the right side of the fuel tank.



Procedure to Start Engine_001

1	Fuel cock
A	ON (Open)
B	OFF (Close)

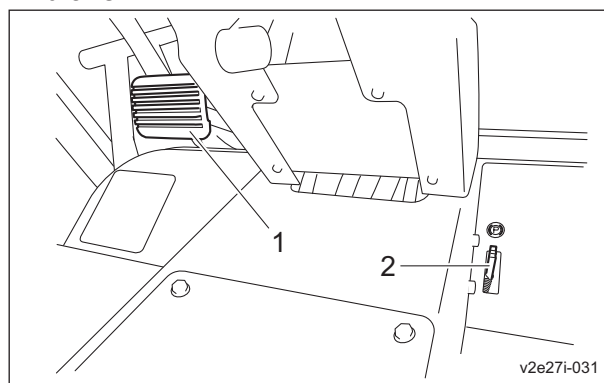
2. Open the fuel cock of the fuel filter. The fuel filter is located on the left under the hood.



Procedure to Start Engine_002

1	Fuel cock
A	ON (Open)
B	OFF (Close)

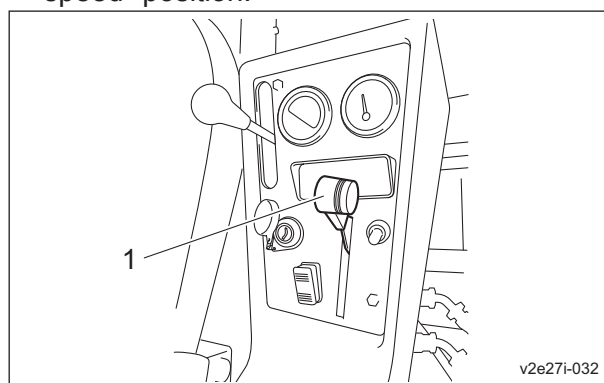
3. Sit on the seat.
4. Depress the brake pedal and move the parking brake lock lever forward to lock the brake.



Procedure to Start Engine_003

1	Brake pedal
2	Parking brake lock lever

5. Set the reel rotation switch to the "Stop" position.
6. Move the mower unit up/down lever to the "Neutral" position.
7. Move the throttle lever halfway from the "Low speed" position toward the "High speed" position.



Procedure to Start Engine_004

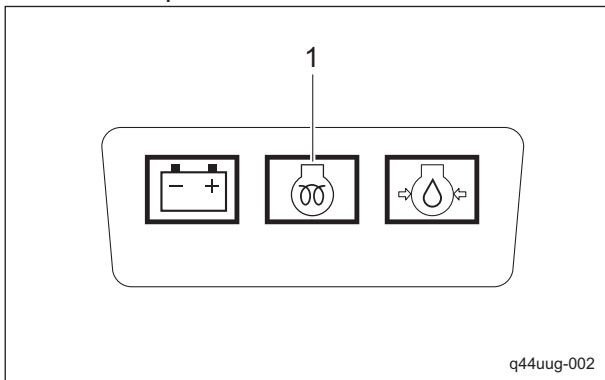
1	Throttle lever
---	----------------

Handling Instructions

Important

The thermo-start lamp turns off at the specified time. However, the lamp turning off is not related to the glow plug generating heat. If the ignition key is left in the "GLOW" position after the lamp is turned off, the plug will still generate heat. The thermo-start lamp will stay illuminated for five seconds.

8. Switch the ignition key to the "GLOW" position.
9. Make sure that the glow plug is generating heat and the thermo-start lamp is turned on.
10. After the thermo-start lamp turns off, immediately set the ignition key to the "START" position.



Procedure to Start Engine_005

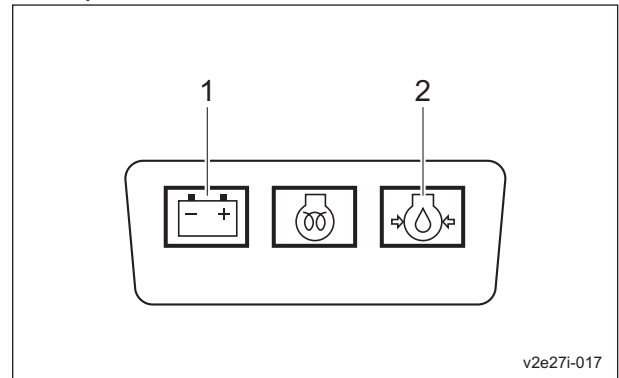
1	Thermo-start lamp
---	-------------------

Important

Quickly returning the ignition key from the "START" position to the "ON" position may result in damage to the machine.

11. When the starter starts rotating and the engine starts, return the ignition key to the "ON" position slowly.

12. Make sure that the charge lamp and oil pressure lamp turn off. If they do not turn off, stop the engine and inspect the machine.



Procedure to Start Engine_006

1	Charge lamp
2	Oil pressure lamp

13. Shift the throttle lever to the "Low speed" position, and then warm up the engine for 1-2 minutes.
14. Gradually move the throttle lever toward the "High speed" position.

Procedure to Stop Engine

1. Set the traveling pedal to the neutral position.
2. Depress the brake pedal and move the parking brake lock lever forward to lock the brake.
3. Set the reel rotation switch to the "Stop" position.
4. Shift the throttle lever to the "Low speed" position, and then idle the machine for 1-2 minutes.
5. Switch the ignition key to the "OFF" position.
6. Make sure that the engine has stopped.
7. Remove the ignition key.
8. Leave the driver's seat.
9. Close the fuel cock of the fuel filter.
10. Close the fuel cock of the water separator.

Handling Instructions

Safety Mechanisms

This machine features a safety device for starting/stopping the engine.

- As for starting the engine, the safety device prevents the engine from starting unless it meets each of the following four conditions.
 - An operator is sitting on the seat.
 - The parking brake is applied.
 - The reel rotation switch is set to the "OFF" position.
 - The traveling pedal is set to the neutral position.

Important

When you restart the engine after the safety device stops the engine, be sure to return the ignition key to the "OFF" position first, and then restart it.

- In the event the operator leaves the seat with the parking brake applied and the engine running, the safety device will be activated and will stop the engine under any of the following conditions:
 - The traveling pedal is not set to the neutral position. (The operator has depressed the traveling pedal.)
 - The reel rotation switch is set to the "Rotate" position.
However, when the reel reverse switch is set to the "ON" position (reverse rotation), the engine does not stop.

Warning Mechanisms

Caution

When the buzzer (intermittent tone) sounds, be sure to stop operation since the engine is overheated.

Do not stop the engine without idling. Allow the engine to cool down, first. Keep the engine idling for about 5 minutes before stopping. Remove dust that is jamming in the radiator, air cleaner, and etc.

This machine features warning mechanisms for overheating and for the hydraulic oil level.

- If water temperature inside the engine exceeds 105 degrees Celsius, a buzzer will sound. (intermittent tone)
- If the oil level in the hydraulic tank declines from the specified level by approximately 4.2 dm³ (4.2 L), a buzzer will sound. (intermittent tone)

Handling Instructions

Operation Method

Cautions for when You Leave The Machine

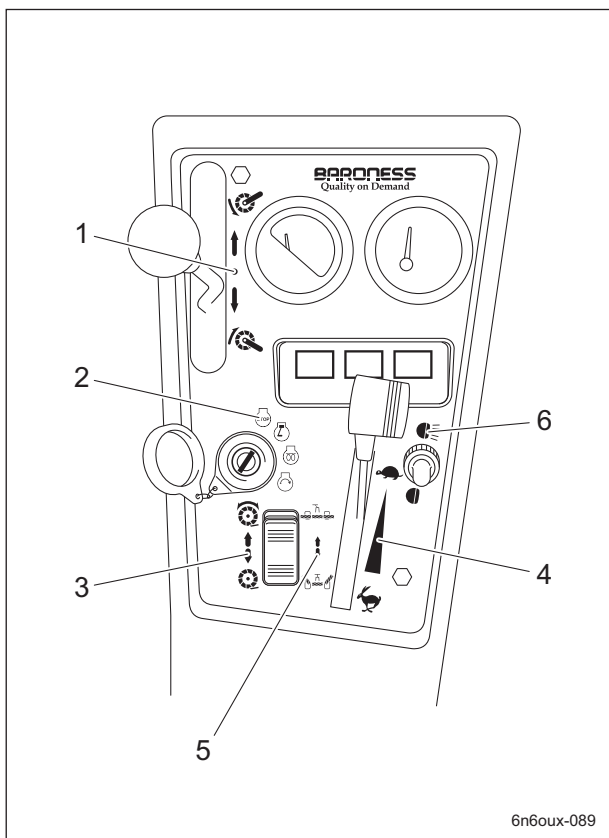
⚠ Caution

If the brakes are not sufficiently effective, use the wheel stoppers to secure the machine.

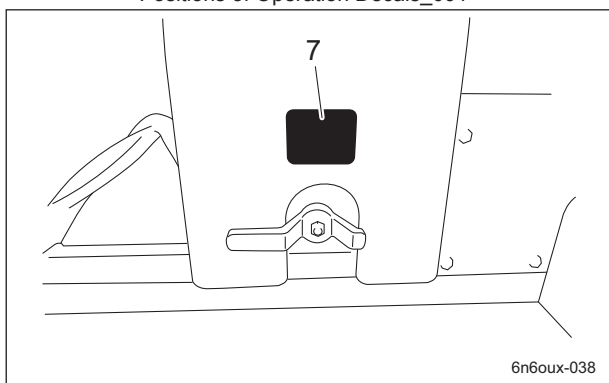
⚠ Caution

Never park the machine on a slope.

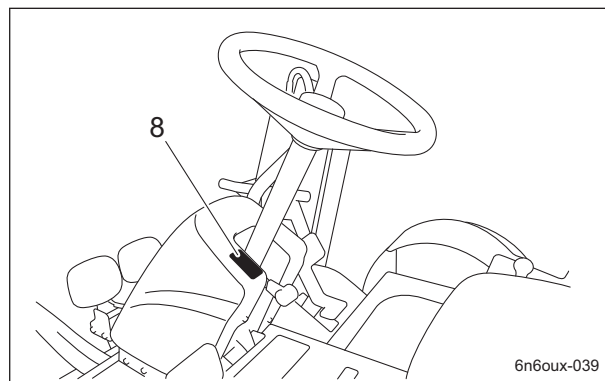
Positions of Operation Decals



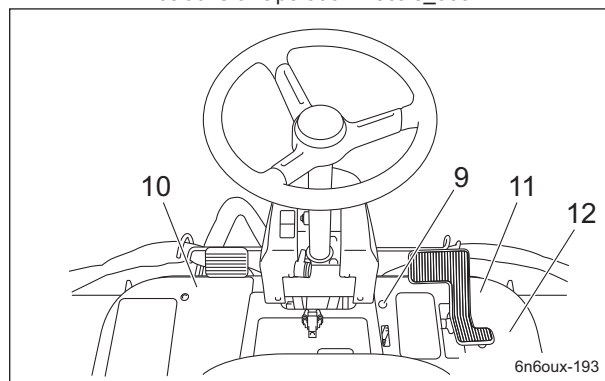
Positions of Operation Decals_001



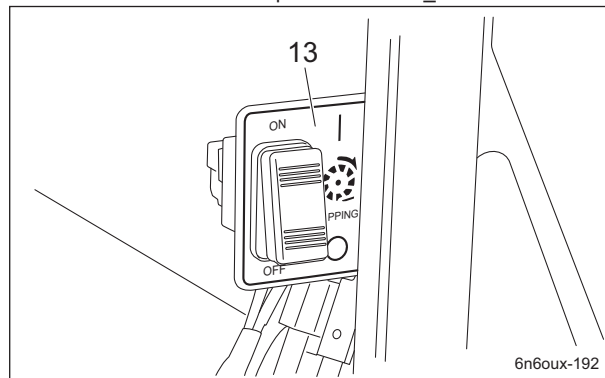
Positions of Operation Decals_002



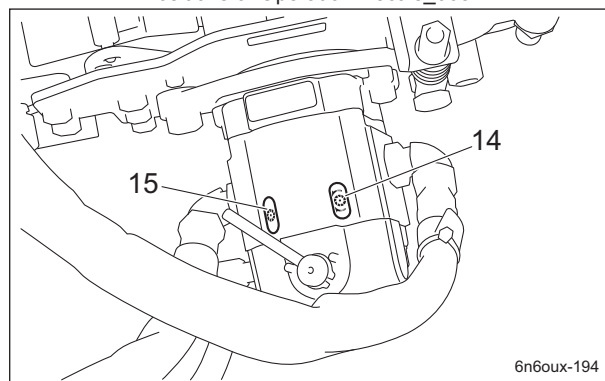
Positions of Operation Decals_003



Positions of Operation Decals_004



Positions of Operation Decals_005



Positions of Operation Decals_006

Handling Instructions

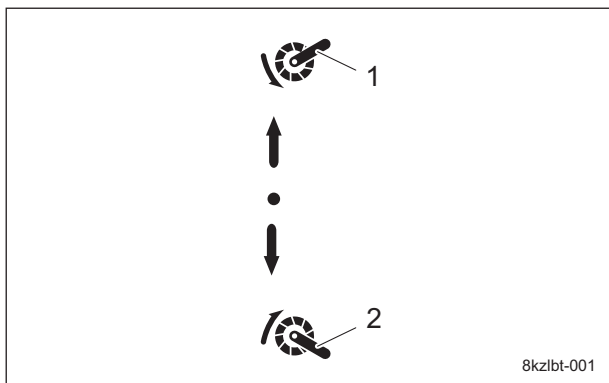
1	Mower unit up/down decal
2	Key switch decal
3	Reel rotation mark
4	Engine rotation mark
5	Traveling/working selector mark
6	Light switch mark
7	Stop valve operation decal
8	Tilt steering decal
9	Brake mark
10	BRAKE decal
11	FORWARD decal
12	BACKWARD decal
13	Lapping switch decal
14	Reel rotation decal
15	Reel stop decal

Handling Instructions

Description of Operation Decals

Mower Unit Up/Down Decal

Decal, mower unit up/down
This indicates the Up/Down positions of the mower unit.

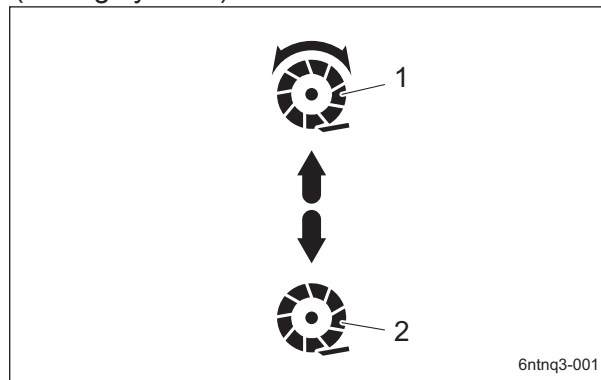


Mower Unit Up/Down Decal_001

1	Down
2	Up

Reel Rotation Mark

Reel rotation mark
It illustrates Rotation/Stop of the reel cutter (cutting cylinder).

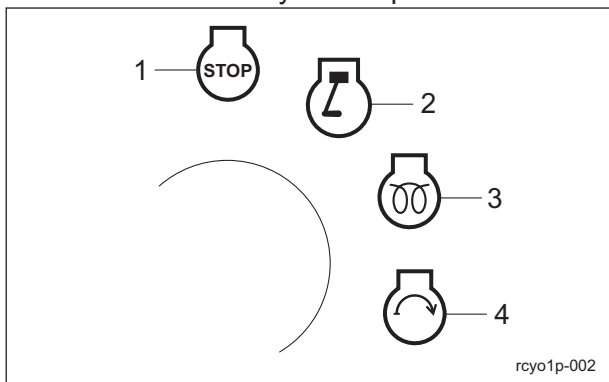


Reel Rotation Mark_001

1	Rotation
2	Stop

Key Switch Decal

Key switch decal
This indicates the key switch positions.

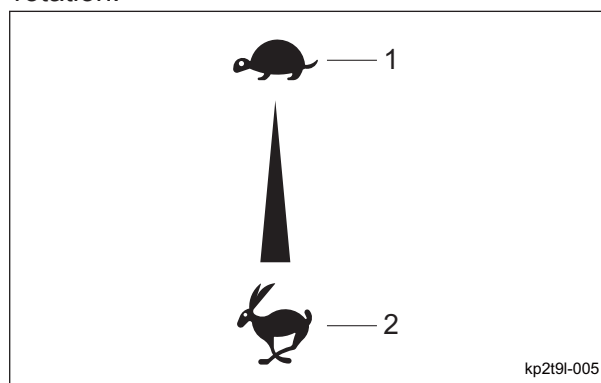


Key Switch Decal_001

1	OFF
2	ON
3	GLOW
4	START

Engine Rotation Mark

Engine rotation mark
This indicates high/low speed of the engine rotation.



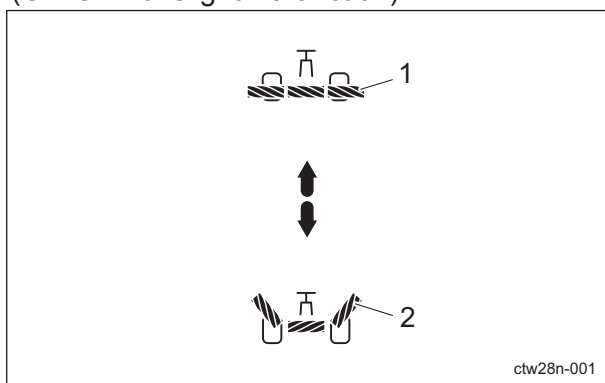
Engine Rotation Mark_001

1	Low speed
2	High speed

Handling Instructions

Traveling/Working Selector Mark

Traveling/working selector mark
It illustrates the positions where mower units #4 and #5 stop when they are raised. (ON/OFF of slight lift function)



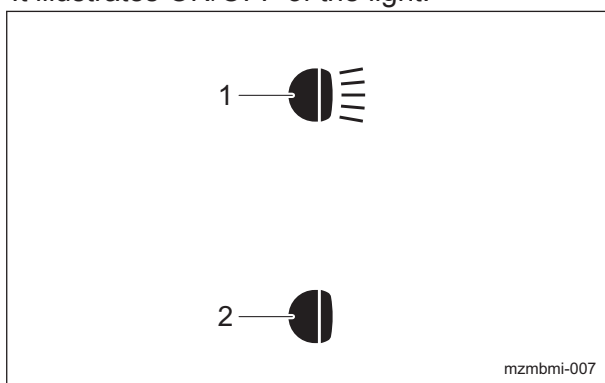
Traveling/Working Selector Mark_001

1	Working
2	Traveling

Light Switch Mark

Note:
Depending on the specifications, this function may not be available.

Light switch mark
It illustrates ON/OFF of the light.

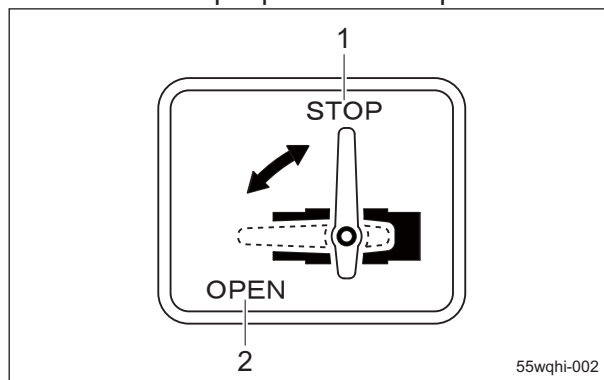


Light Switch Mark_001

1	ON
2	OFF

Stop Valve Operation Decal

K4203001290
Stop valve operation decal
It illustrates Stop/Open of the stop valve.

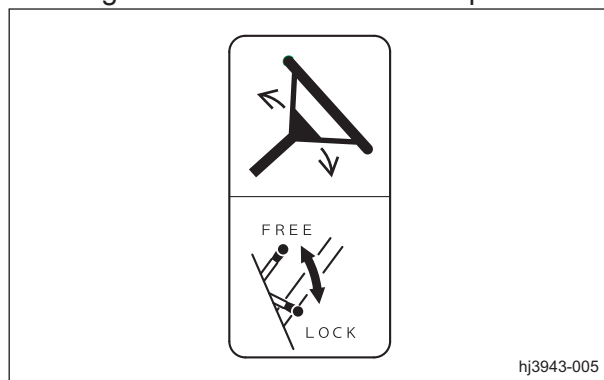


Stop Valve Operation Decal_001

1	Stop
2	Open

Tilt Steering Decal

K4203001560
Decal, tilt steering
This illustrates the tilt directions of the steering wheel and the locked/free positions.



Tilt Steering Decal_001

Handling Instructions

Brake Mark

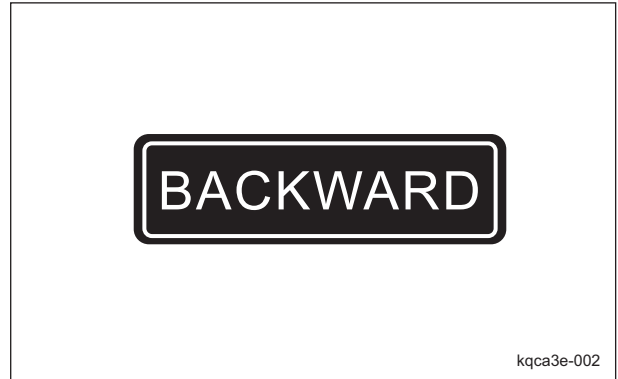
K4209001200
 DECAL, BRAKE
 It illustrates the locking position for the parking brake.



Brake Mark_001

BACKWARD Decal

K4203001440
 Decal, BACKWARD
 This indicates backward travel.



BACKWARD Decal_001

BRAKE Decal

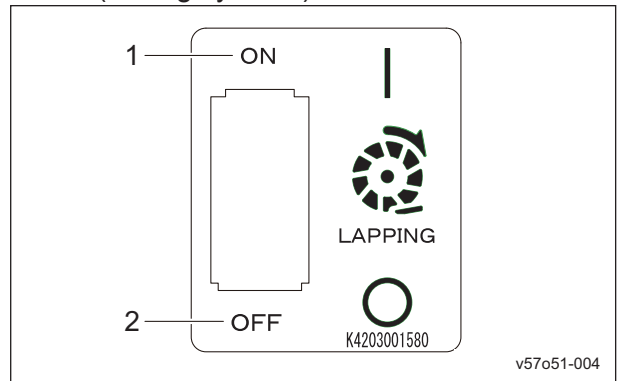
K4203001450
 Decal, BRAKE
 This indicates brake.



BRAKE Decal_001

Lapping Switch Decal

K4203001580
 Decal, lapping switch
 This indicates rotational direction of the reel cutter (cutting cylinder).



Lapping Switch Decal_001

1	Reverse rotation (back lapping rotation)
2	Normal rotation (cutting rotation)

FORWARD Decal

K4203001430
 Decal, FORWARD
 This indicates forward travel.

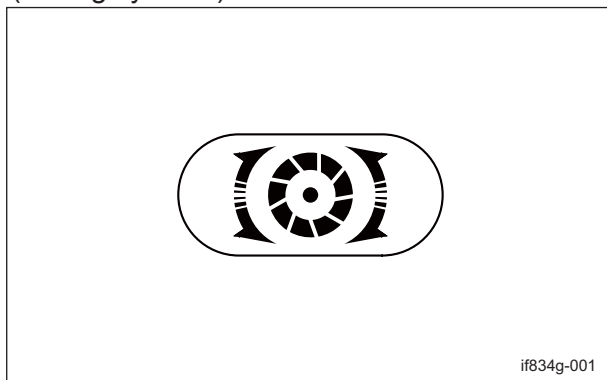


FORWARD Decal_001

Handling Instructions

Reel Rotation Decal

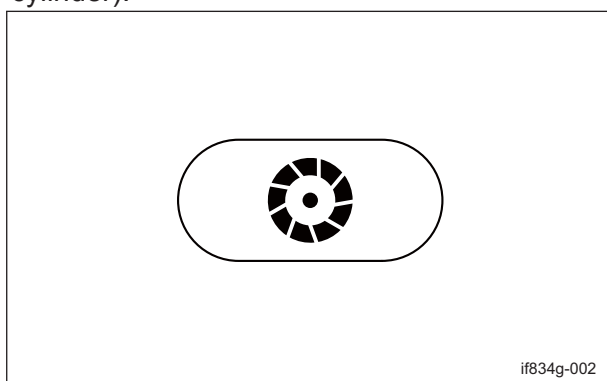
K4203001300
 Decal, reel rotation
 This indicates rotation of the reel cutter (cutting cylinder).



Reel Rotation Decal_001

Reel Stop Decal

K4203001310
 Decal, reel stop
 This indicates stop of the reel cutter (cutting cylinder).



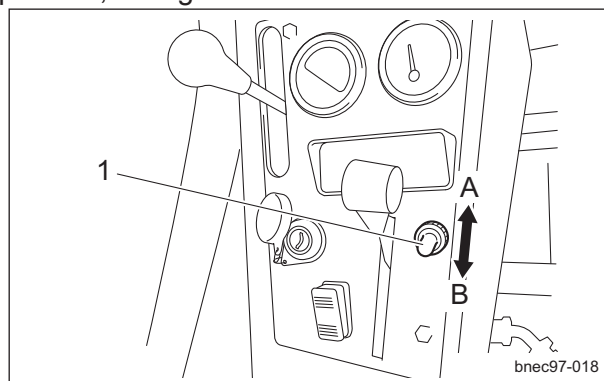
Reel Stop Decal_001

Light Switch

⚠ Caution

The lights provide auxiliary lighting.
 Do not travel or operate the machine at night or under poor visibility.

Note:
 Depending on the specifications, this function may not be available.
 The light switch is located in the operation panel.
 When the switch is set to the "ON" position, the lights turn on. When it is set to the "OFF" position, the lights turn off.



Light Switch_001

1	Light switch
A	ON
B	OFF

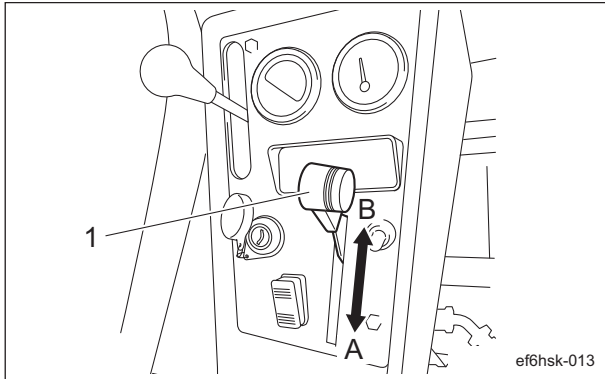
Note:
 The lights will not turn on when the ignition key is switched to the "OFF" position.

Handling Instructions

Throttle Lever

The throttle lever is located in the operation panel and enables you to adjust the engine rpm.

Move the throttle lever toward the "High speed" position to increase the engine rpm, and toward the "Low speed" position to reduce the rpm.

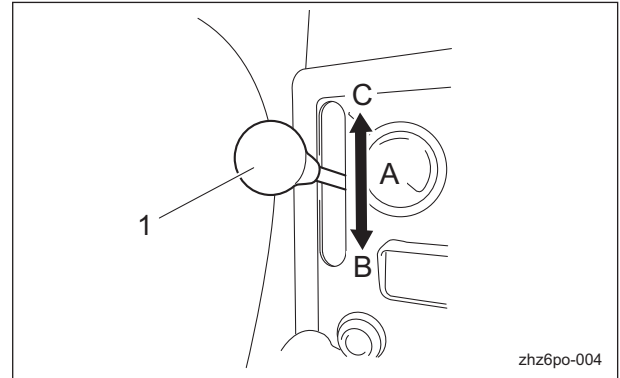


Throttle Lever_001

1	Throttle lever
A	High speed
B	Low speed

The mower unit up/down lever is located in the operation panel and raises or lowers the mower units.

Shift the lever to the "DOWN" position to lower all the mower units, and shift it to the "UP" position to raise all the mower units.



Mower Unit Up/Down Lever_001

1	Mower unit up/down lever
A	Neutral
B	Up
C	Down

Note:

Even if the reel rotation switch is set to the "Rotate" position, the reel cutter (cutting cylinder) stops rotating when the mower unit up/down lever is moved to the neutral position or the mower units are raised.

Mower Unit Up/Down Lever

⚠ Caution

Before raising or lowering the mower units, make sure that there are no people around the machine.

⚠ Caution

Be careful since shifting the mower unit up/down lever to the "DOWN" position lowers the mowers, even while the engine is stopped.

Important

Before operating the mower unit up/down lever, be sure to set the stop valve to the "Open" position.

Important

When the mower lock levers (latches) are engaged, do not operate the mower unit up/down lever.

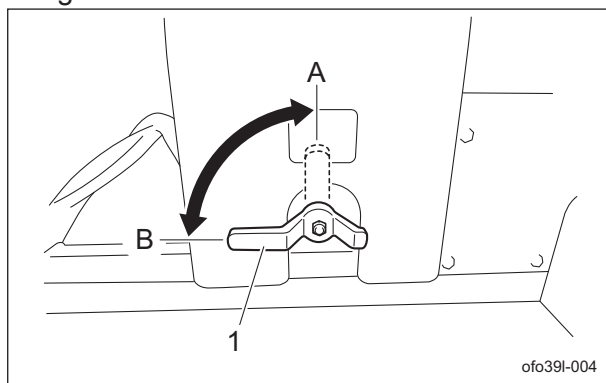
Handling Instructions

Stop Valve

⚠ Caution

When you move the machine, or if you stop the engine with the mower units raised, be sure to set the stop valve to the "Stop" position.

The stop valve is located underneath the right side of the driver's seat. This valve prevents all raised mower units from falling.

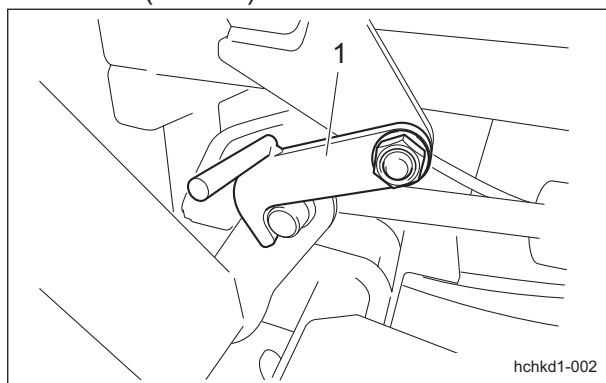


Stop Valve_001

1	Stop valve
A	Stop
B	Open

Mower Lock Lever (Latch)

The mower lock levers (latches) are located in the foot area on the left and right sides and are used when traveling or storing the machine with mower units #4 and #5 raised. When storing the machine, secure the mower lock levers (latches).



Mower Lock Lever (Latch)_001

1	Mower lock lever (latch)
---	--------------------------

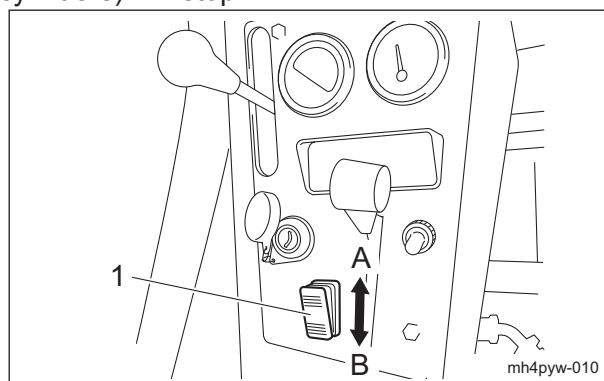
Reel Rotation Switch

⚠ Caution

The reel rotation switch must be set just before you start cutting work. In cases other than those cases, it must be returned to the "Stop" position.

The reel rotation switch is located in the operation panel and operates rotation of the reel cutters (cutting cylinders) of the mower units.

If you set the reel rotation switch to the "Rotate" position, the reel cutters (cutting cylinders) of all mower units will rotate for cutting work. If you set the reel rotation switch to the "Stop" position, the reel cutters (cutting cylinders) will stop.

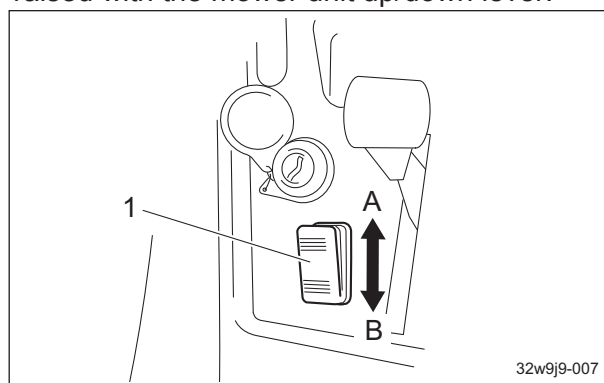


Reel Rotation Switch_001

1	Reel rotation switch
A	Rotate
B	Stop

Slight Lift Function

When the reel rotation switch is shifted to the "Rotate" side, the slight lift becomes functional and the mower units are raised only to a fixed height when the mower units are raised with the mower unit up/down lever.



Slight Lift Function_001

Handling Instructions

1	Reel rotation switch
A	Rotate (Slight lift function "ON")
B	Stop (Slight lift function "OFF")

Reel Reverse Switch

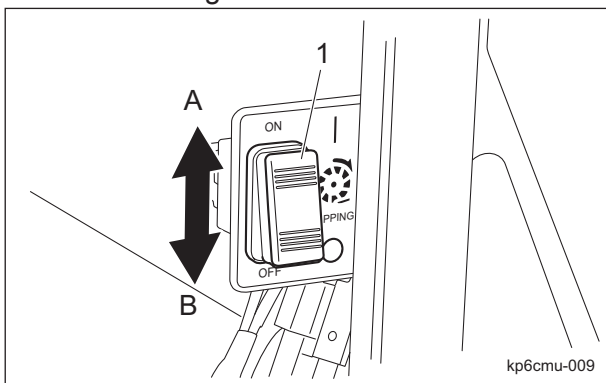
Important

Do not switch the reel reverse switch to the "ON" or "OFF" position while the reel cutter (cutting cylinder) is rotating. Otherwise, a hydraulic system will malfunction.

Important

If the reel rotation switch is not set to the "Rotate" position, the reel cutter (cutting cylinder) will not rotate.

The reel reverse switch is located under the hood. This switches the rotation direction of the reel cutter (cutting cylinder). When the reel reverse switch is set to the "Reverse rotation" position, the reel cutters (cutting cylinders) of all mower units rotate in reverse (back lapping rotation). When the reel reverse switch is set to the "Normal rotation" position, the reel cutters (cutting cylinders) rotate for mowing.



Reel Reverse Switch_001

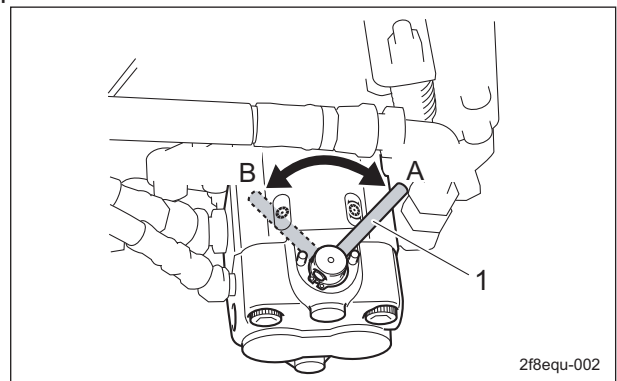
1	Reel reverse switch
A	Reverse rotation
B	Normal rotation

Reel Rotation/Stop Switching Lever

Caution

Before operating the reel rotation/stop switching lever, be sure to shift the reel rotation switch to the "Stop" position.

The reel rotation/stop switching lever is located on the reel motor attached to each mower unit. It is used during cutting and back lapping. You must shift only the lever(s) for the mower unit(s) that you plan to use for cutting or back lapping to the "Rotate" position. Leave the lever(s) for other mower units in the "Stop" position.



Reel Rotation/Stop Switching Lever_001

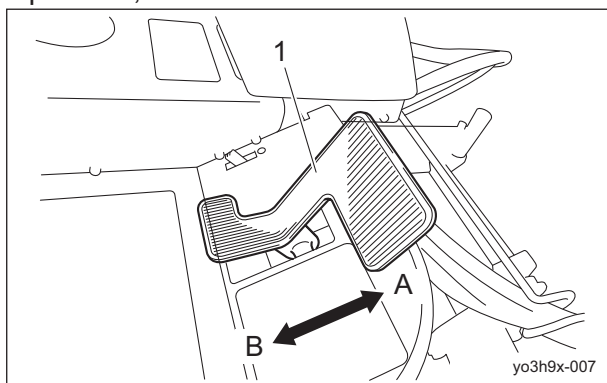
1	Reel rotation/stop switching lever
A	Rotate
B	Stop

Handling Instructions

Traveling Pedal

The traveling pedal is located in the right foot area.

When the forward side depressed, the machine travels forward. When the backward side depressed, the machine travels backward.

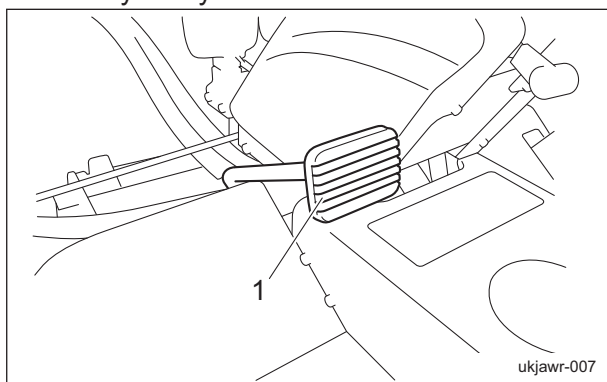


Traveling Pedal_001

1	Traveling pedal
A	Forward
B	Backward

Brake Pedal

The brake pedal is located in the left foot area. To stop the machine, depress the brake pedal all the way firmly.



Brake Pedal_001

1	Brake pedal
---	-------------

Parking Brake Lock Lever

⚠ Caution

Never park the machine on a slope.

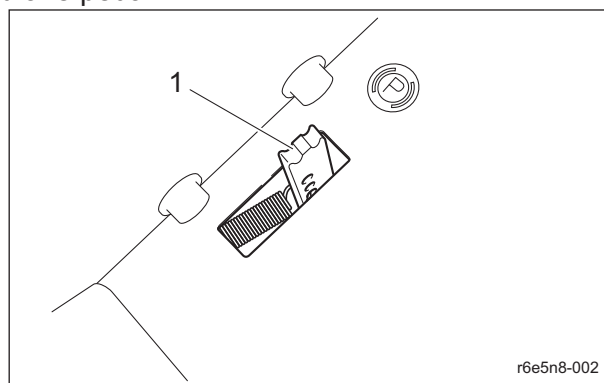
Important

Be sure to release the parking brake before driving. Otherwise, it may cause the malfunction of the brake or hydraulic system.

The parking brake lock lever is located in the right foot area.

When parking, depress the brake pedal and move the parking brake lock lever forward.

To release the parking brake, depress the brake pedal.



Parking Brake Lock Lever_001

1	Parking brake lock lever
---	--------------------------

Handling Instructions

Hood

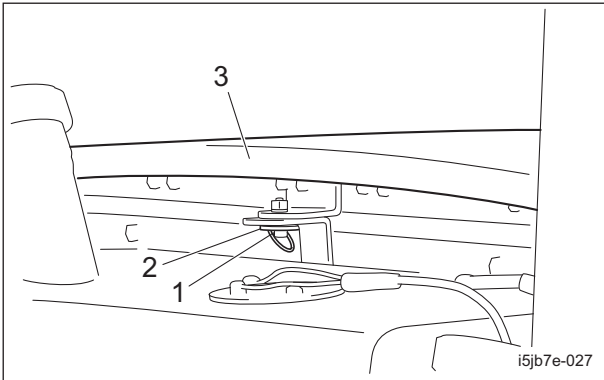
Caution

Do not open the hood in strong winds.

Caution

Be careful not to pinch your fingers when you open or close the hood.

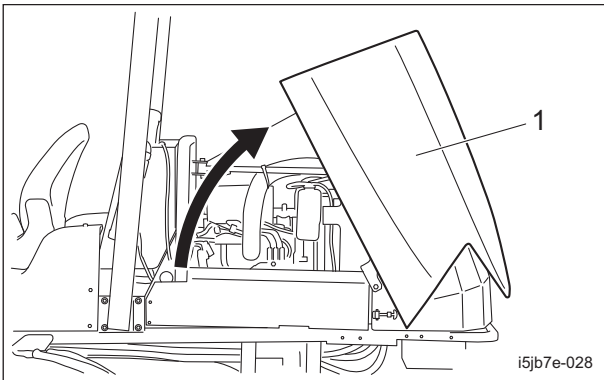
1. Remove the pin, then the washer.



Hood_001

1	Pin
2	Washer
3	Hood

2. Lift up the hood.



Hood_002

1	Hood
---	------

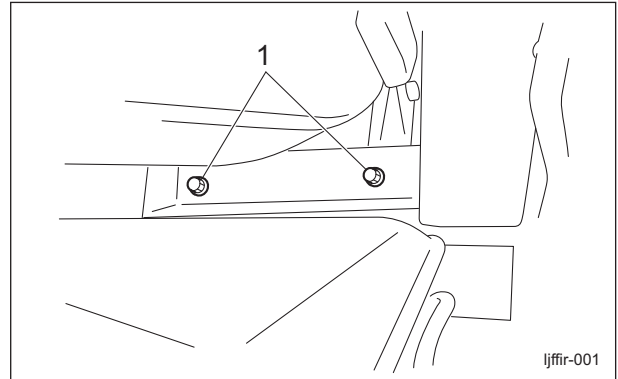
3. When closing the hood, do the operation slowly.
4. Insert the washer, then the pin.

Underseat Cover

Caution

Be careful not to pinch your fingers when you open or close the underseat cover.

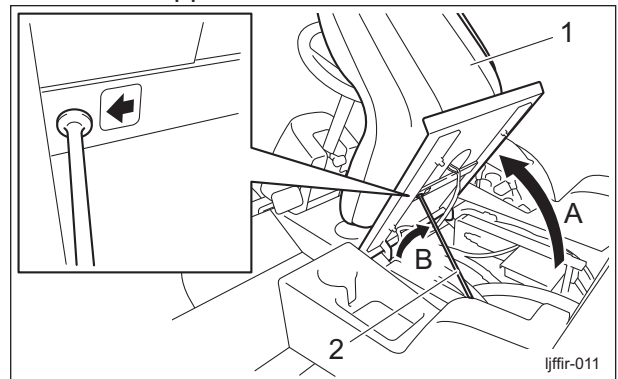
1. Bring the seat to the most front position.
2. Remove two bolts located on the rear of the seat.



Underseat Cover_001

1	Bolt
---	------

3. Bring the seat to the backmost position.
4. Lift the seat.
Securely support the underseat cover with the seat support rod.



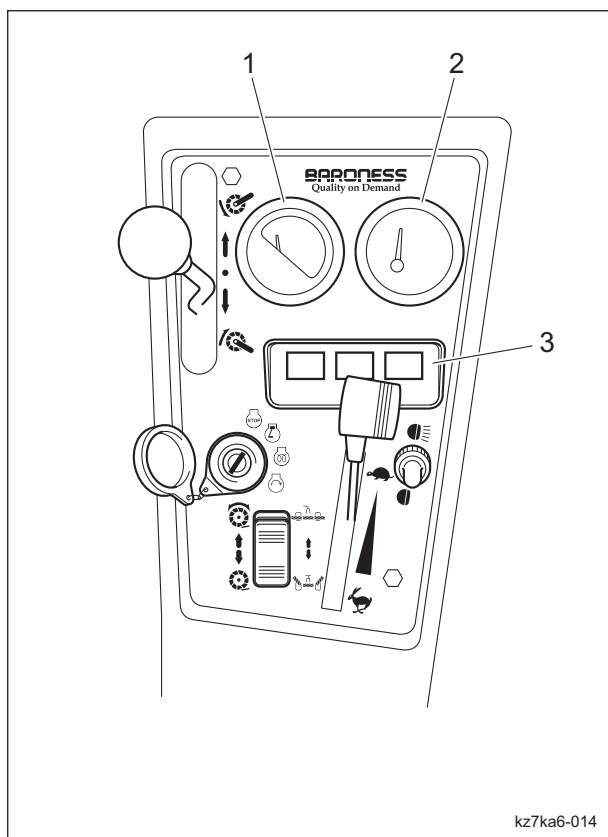
Underseat Cover_002

1	Seat
2	Seat support rod
A	Step 1
B	Step 2

Handling Instructions

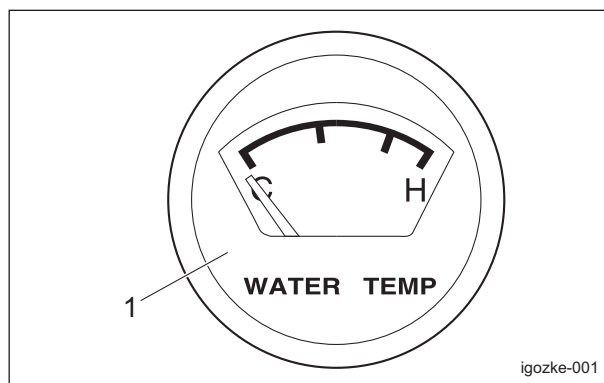
Instruments

Instruments on the Operation Panel



Instruments on the Operation Panel_001

1	Water temperature gauge
2	Fuel gauge
3	Pilot lamps (charge lamp, thermo-start lamp, oil pressure lamp)



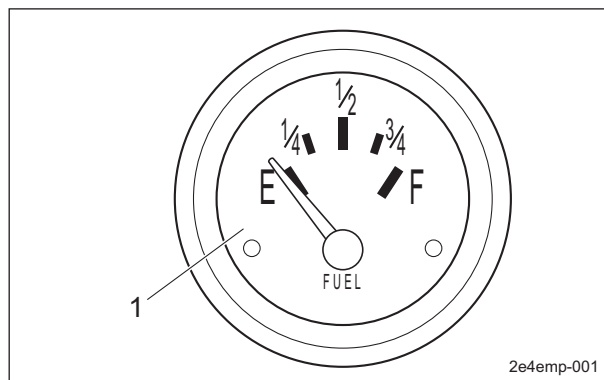
Water Temperature Gauge_001

1	Water temperature gauge
---	-------------------------

Fuel Gauge

The fuel gauge is located in the operation panel.

This instrument indicates the quantity of fuel inside the fuel tank.



Fuel Gauge_001

1	Fuel gauge
---	------------

Water Temperature Gauge

The water temperature gauge is located in the operation panel.

This instrument indicates the water temperature inside the engine.

If the water temperature gauge indicates a level close to "H" during operation, the machine is overheated.

Remove the load from the engine, idle the machine for five minutes, stop the engine, and then inspect the machine and perform any necessary maintenance.

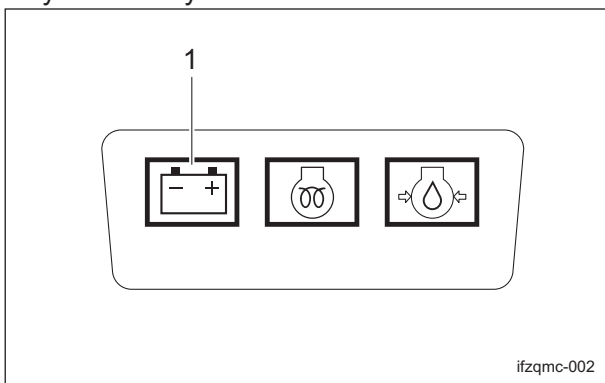
If the water temperature exceeds 105 degrees Celsius, a buzzer will sound.(Intermittent tone)

Handling Instructions

Pilot Lamps

Charge Lamp

The charge lamp is the left pilot lamp located in the operation panel. It turns on when the ignition key is set to the "ON" position before the engine starts. It turns off when the engine starts and the alternator starts operating properly. If this lamp illuminates while you are operating the machine, stop the engine immediately, and then inspect the machine and perform any necessary maintenance.

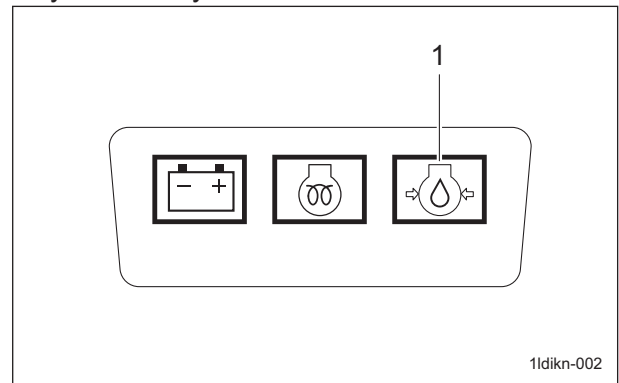


Charge Lamp_001

1	Charge lamp
---	-------------

Oil Pressure Lamp

The oil pressure lamp is the right pilot lamp located in the operation panel. It turns on when the ignition key is set to the "ON" position before the engine starts. It turns off when the engine starts and engine oil pressure is generated properly. If this lamp illuminates while you are operating the machine, stop the engine immediately, and then inspect the machine and perform any necessary maintenance.

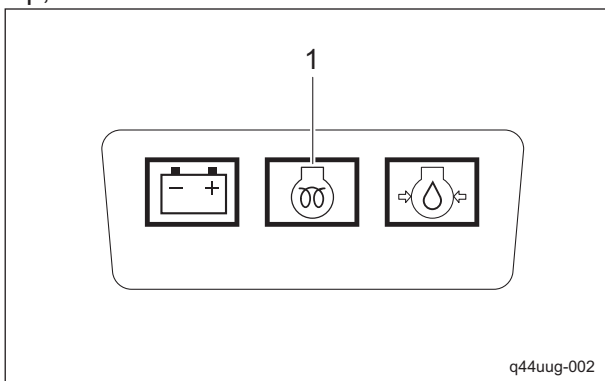


Oil Pressure Lamp_001

1	Oil pressure lamp
---	-------------------

Thermo-Start Lamp

The thermo-start lamp is the middle pilot lamp located in the operation panel. When the ignition key is set to the "GLOW" position, it illuminates as the glow plug generates heat. Illumination of the thermo-start lamp is controlled by the glow lamp timer, and the lamp is turned off after a specified amount of time passes. The duration of illumination indicates an approximate period of time required for warm-up, and has been fixed at five seconds.



Thermo-Start Lamp_001

Overheat Warning Buzzer

If the water temperature inside the engine exceeds 105 degrees Celsius, a buzzer will sound. (intermittent tone) Remove the load from the engine, idle the machine for five minutes, stop the engine, and then inspect the machine and perform any necessary maintenance.

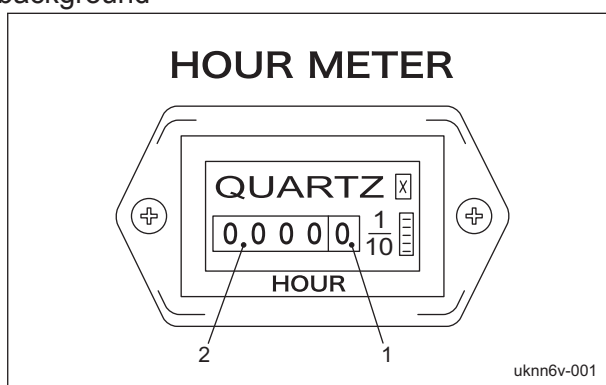
Handling Instructions

Hour Meter

The hour meter is located under the hood and indicates the total operation time of the engine. Every six minutes of engine operation will increase the number at the first digit (black number on a white background) by one. Every one hour of engine operation will increase the number at the next digit (white number on a black background) by one.

1/10 digit: Black number on white background

Hour digits: White number on black background



Hour Meter_001

1	1/10 digit
2	Hour digits

Travel of Machine

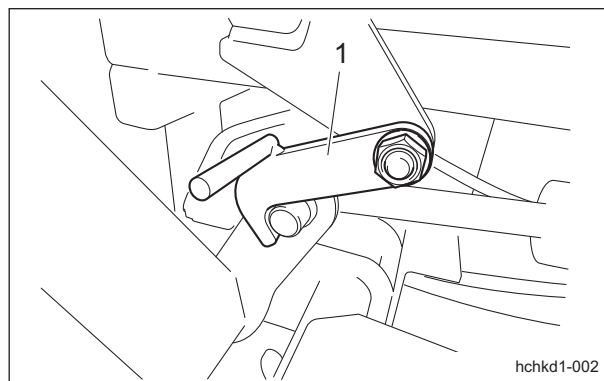
Traveling Procedure

⚠ Caution

Under any circumstances drive the machine at such a speed that you can stop it immediately for emergencies.

1. Start the engine.
"Procedure to Start Engine" (Page 4-19)
2. Raise all mower units, and set the anti-falling stop valve to the "Stop" position.

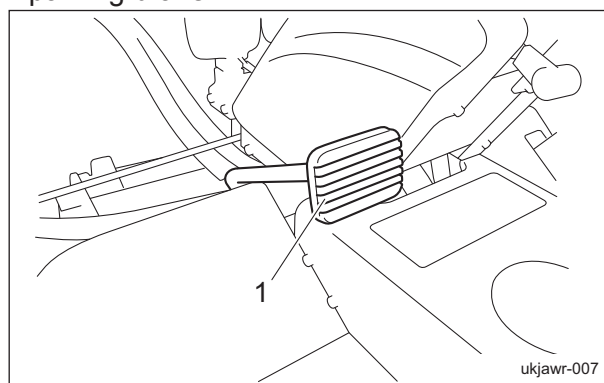
3. Engage the mower lock levers (latches) for mower units #4 and #5.



Traveling Procedure_001

1	Mower lock lever (latch)
---	--------------------------

4. Depress the brake pedal to release the parking brake.



Traveling Procedure_002

1	Brake pedal
---	-------------

5. Slowly depress the traveling pedal.
6. The machine starts traveling.

Handling Instructions

Towing the Machine

If the machine does not travel due to engine trouble, etc., you can move it in the following ways:

Caution

Before restarting the engine, be sure to tighten the unload valve.

Important

Do not touch the unload valve except when towing the machine.

Important

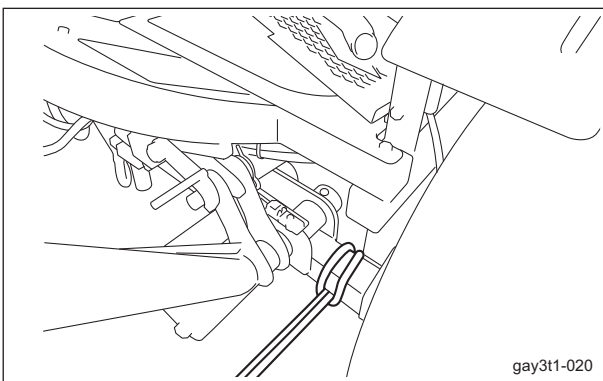
When towing the machine, travel at a speed no more than 3.0 km/h.
In addition, do not tow the machine for more than 3 minutes.
If the towing speed is too fast or the machine is towed too much, the pump or motor will be damaged.

Important

Do not loosen the unload valve three turns or more.

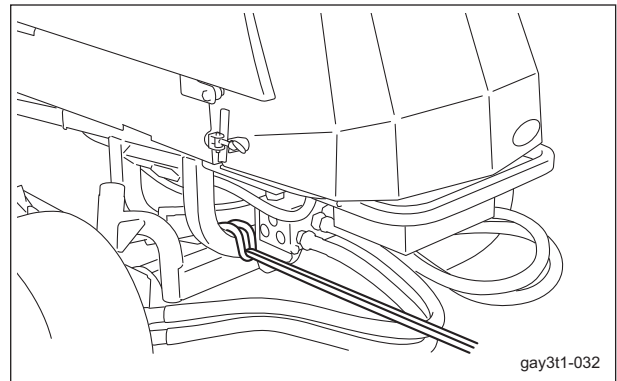
1. Stop the engine.
"Procedure to Stop Engine" (Page 4-20)
2. Apply the parking brake.
3. Chock the wheels.
4. Secure the machine with ropes.

Front side



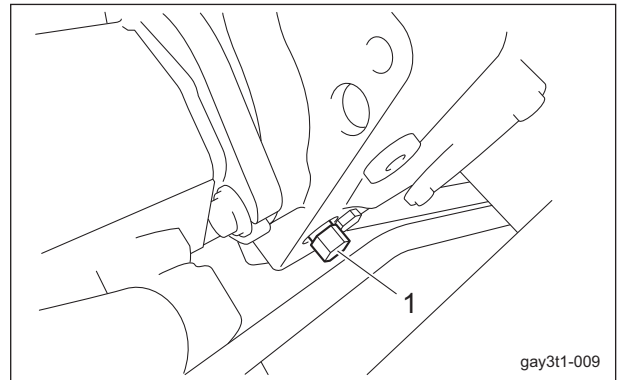
Towing the Machine_001

Rear side



Towing the Machine_002

5. Lift up the underseat cover.
"Underseat Cover" (Page 4-32)
6. Rotate the unload valve under the seat 1 to 1.5 turns counterclockwise.



Towing the Machine_003

1 Unload valve

7. Close the underseat cover.
8. Remove the wheel stoppers.
9. Depress the brake pedal to release the parking brake.

Warning

While towing, always keep your foot on the brake pedal and depress the brake pedal at any time to stop.

10. Tow the machine slowly.

Handling Instructions

Cutting Work

Cutting Operation

Warning

Do NOT start to move or stop the machine abruptly.
To do so is very dangerous. In addition, it may damage the hydraulic system or result in oil leakage.

Caution

Cutting work must be performed at an appropriate speed for the site and location. When cutting bumpy surfaces, keep the engine rpm steady, and slow down the cutting speed.

Important

Reel rotation will be turned on or off based on the sensor-detected position of the mower units.
During the work, the reel cutters (cutting cylinders) will rotate or stop in sync with the up and down motion of the mower units.

Important

Perform cutting work with the mower unit up/down lever shifted to the "DOWN" position. Reel rotation will be turned off if the mower unit up/down lever shifted to the "NEUTRAL" or "UP" position.

- Shift the reel rotation/stop switching levers of all mower units to the "Rotate" position.
- Start the engine.
"Procedure to Start Engine" (Page 4-19)
- Raise all mower units, and set the anti-falling stop valve to the "Stop" position.
- Engage the mower lock levers (latches) for mower units #4 and #5.
- Depress the brake pedal to release the parking brake.
- Shift the throttle lever to the "High speed" position, and rev up the engine to MAX.
- Right before starting cutting work, set the anti-falling stop valve to the "Open" position.
- Release the mower lock levers (latches) for mower units #4 and #5.

- Shift the mower unit up/down lever to the "DOWN" position to lower the mower units.
- Set the reel rotation switch to the "Rotate" position to rotate the reel cutters (cutting cylinders) for all mower units.
- Depress the traveling pedal to start cutting work.

Removal/Installation of Grass Catcher

Caution

Stop the engine before removing or installing the grass catcher.

- Set the reel rotation switch to the "Stop" position.
- Lower the mower units.
- Apply the parking brake.
- Stop the engine.
- Remove or install the grass catcher.

Removal of grass catcher:

Lift up the grass catcher, and remove the mounting pins on the left and right of the grass catcher from the grass catcher mounting brackets.

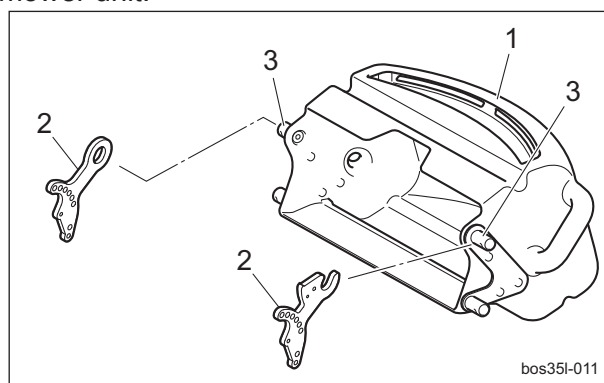
Installation of grass catcher:

Install the mounting pins on the left and right sides of the grass catcher into the grass catcher mounting brackets.

Mower units #2 & 3

Note :

The illustration shows the mower unit #3. Right and left positions of the grass catcher mounting brackets differ according to the location of a mower unit.



Removal/Installation of Grass Catcher_001

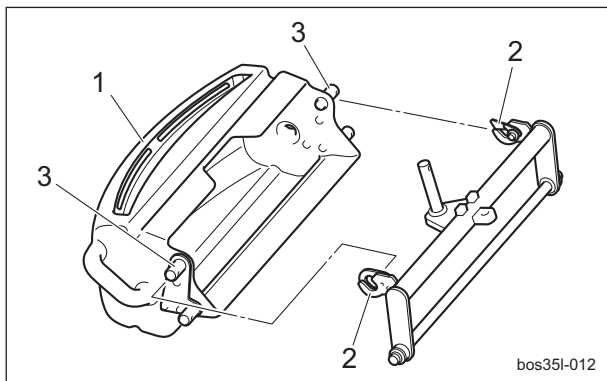
1	Grass catcher
2	Grass catcher mounting bracket
3	Mounting pin

Handling Instructions

Mower units #1, 4 & 5

Note :

The illustration shows the mower units #1 & 5. Right and left positions of the grass catcher mounting brackets differ according to the location of a mower unit.



Removal/Installation of Grass Catcher_002

1	Grass catcher
2	Grass catcher mounting bracket
3	Mounting pin

Transporting

Transporting Procedure

When loading this machine into a trailer or a truck to transport it, drive the machine in reverse. When unloading, drive the machine forward.

If the roof is installed on the machine, remove it.

The roof may be damaged by wind pressure.

Storage

Before Long-Term Storage

- Remove dirt, grass clippings, debris, oil stains etc. completely.
- Supply oil and apply grease to appropriate parts.
- Remove the negative terminal of the battery.

Maintenance Precautions	Page 5-2
Maintenance Schedule	Page 5-3
Adjusted Value	Page 5-7
Jacking Up The Machine	Page 5-8
About Jacking Up The Machine	Page 5-8
Jack-Up Points	Page 5-8
Greasing	Page 5-9
About Greasing	Page 5-9
Greasing Points	Page 5-9
Lubrication	Page 5-12
About Lubrication	Page 5-12
Lubricating Points	Page 5-12
Maintenance Work	Page 5-13
Removing/Installing Tires	Page 5-13
Adjustment of Belt Tension	Page 5-14
Adjustment of Parking Brake	Page 5-14
Adjustment of Brake	Page 5-15
Adjusting the Neutral Position of the Piston Pump	Page 5-15
Change of Coolant	Page 5-16
Change of Hydraulic Oil Filter	Page 5-17
Change of Hydraulic Oil	Page 5-19
Change of Air Cleaner	Page 5-20
Change of Engine Oil	Page 5-20
Change of Engine Oil Filter	Page 5-21
Change of Fuel Filter Element	Page 5-21
Change of Fuse	Page 5-22

Maintenance

Maintenance Precautions

 **Caution**

First, learn well the maintenance operations you plan to perform.

Important

Use tools appropriate for each maintenance operation.

Important

For the safe and best performance of your machine, use Baroness genuine parts for replacement and accessories.
Please note that our product warranty may be void if you use non-genuine parts for replacement or accessories.

Maintenance Schedule

LM551

Follow the maintenance schedule below.

○ . . . Inspect, adjust, supply, clean

● . . . Replace (first time)

△ . . . Replace

Maintenance Item		Before Work	After Work	Every Week	Every 50 hrs.	Every 100 hrs.	Every 200 hrs.	Every 250 hrs.	Every 400 hrs.	Every 500 hrs.	Every 800 hrs.	Every 1000 hrs.	Every 1500 hrs.	Every 3000 hrs.	every month	Every year	Every 2 years	Every 4 years	When Required	Remarks
*3	Check engine oil level and contamination	○																		
*3	Check fuel level	○																		
*3	Check coolant level	○																		
*3	Check fan belt	○																		
	Check hydraulic oil level	○																		
	Check hydraulic hoses condition (Moving part)	○																		
	Check tire pressures and condition	○																		
	Check cover condition	○																		
	Check traveling pedal motion	○																		
	Check brake function	○																		
	Check brake wire	○																		
	Check brake pedal play	○																		
	Check oil or water leaks	○																		
	Check damaged parts	○																		
	Check tightening bolts and nuts	○																		
	Check light illumination	○																		
	Check meters and lamps	○																		By starting the engine
	Check interlock system safety function	○																		By starting the engine

Maintenance

Maintenance Item		Before Work	After Work	Every Week	Every 50 hrs.	Every 100 hrs.	Every 200 hrs.	Every 250 hrs.	Every 400 hrs.	Every 500 hrs.	Every 800 hrs.	Every 1000 hrs.	Every 1500 hrs.	Every 3000 hrs.	every month	Every year	Every 2 years	Every 4 years	When Required	Remarks
	Clean radiator screen		○																	
	Clean radiator core		○																	
	Clean oil cooler core		○																	
	Clean machine exterior		○																	
	Clean engine area		○																	
	Grease and Lubricate all moving parts				○															
*3	Check fuel hoses and clamp bands				○															
*3	Check electrical wiring condition (Damage, defacement and joint looseness)				○	○														50 hours first check, every 100 hours thereafter
	Check looseness of wheel mounting bolt				○	○														50 hours first check, every 100 hours thereafter
*3.*5	Change engine oil				●	△														50 hours first check, every 100 hours thereafter
*2	Replace oil filter cartridge				●	△														50 hours first check, every 200 hours thereafter
	Replace hydraulic oil					●			△											100 hours first change, every 500 hours thereafter
*2	Clean air cleaner element (Replace the element after 6-time cleaning)					○										△				Replace every 6 cleanings or every year whichever comes earlier Air cleaner should be cleaned more often in dusty conditions than

Maintenance

Maintenance Item		Before Work	After Work	Every Week	Every 50 hrs.	Every 100 hrs.	Every 200 hrs.	Every 250 hrs.	Every 400 hrs.	Every 500 hrs.	Every 800 hrs.	Every 1000 hrs.	Every 1500 hrs.	Every 3000 hrs.	every month	Every year	Every 2 years	Every 4 years	When Required	Remarks
*2	Clean air cleaner element (Replace the element after 6-time cleaning)					○										△				in normal conditions
*3	Check cracks in cooling fan					○														
	Draining of water separator					○														
*3	Adjust fan belt tension				○	○														50 hours first change, every 100 hours thereafter
*4	Check exterior of battery					○									○					Check every 100 hours or every month whichever comes earlier
*4	Clean exterior of battery					○									○					Check every 100 hours or every month whichever comes earlier
*4	Check mounting bracket of battery					○									○					Check every 100 hours or every month whichever comes earlier
*4	Check looseness and corrosion of battery terminals					○									○					Check every 100 hours or every month whichever comes earlier
*3	Check battery fluid level					○									○					Check every 100 hours or every month whichever comes earlier
	Replace hydraulic oil filter					●				△										100 hours first change, every 500 hours thereafter
	Replace hydraulic suction filter					●				△										100 hours first change, every 500 hours thereafter

Maintenance

Maintenance

Maintenance Item		Before Work	After Work	Every Week	Every 50 hrs.	Every 100 hrs.	Every 200 hrs.	Every 250 hrs.	Every 400 hrs.	Every 500 hrs.	Every 800 hrs.	Every 1000 hrs.	Every 1500 hrs.	Every 3000 hrs.	every month	Every year	Every 2 years	Every 4 years	When Required	Remarks
	Check hydraulic hoses condition (Fixed part)						○									○				Check every 200 hours or every year whichever comes earlier
*3	Check radiator hoses and clamp bands						○													
*2	Check intake air line (air cleaner hose)						○													
	Check closed breather hoses						○													
	Grease mower unit hydraulic motor shafts							○												
*3	Clean water separator								○											
*3	Replace fuel filter cartridge								△											
*3	Clean water jacket and radiator interior									○										
*3	Clean fuel tank interior									○										
*3	Replace fan belt									△							△			Replace every 500 hours or 2 years whichever comes earlier
	Replace antivibration rubber for engine											△						△		Replace every 1000 hours or 4 years whichever comes earlier
	Adjust valve clearance										○									
*1.*2	Check injection nozzle												○							
*1.*2	Check injection pump													○						
	Replace hydraulic hoses (Moving part)																	△		
*3	Replace radiator hoses and clamp bands																	△		

Maintenance

Maintenance Item		Before Work	After Work	Every Week	Every 50 hrs.	Every 100 hrs.	Every 200 hrs.	Every 250 hrs.	Every 400 hrs.	Every 500 hrs.	Every 800 hrs.	Every 1000 hrs.	Every 1500 hrs.	Every 3000 hrs.	every month	Every year	Every 2 years	Every 4 years	When Required	Remarks
	Replace fuel hoses and clamps																△			
	Replace intake air line (air cleaner hose)																△			
	Replace closed breather hoses																△			
*3	Change radiator coolant (L.L.C.)																△			
*3	Replace battery																△			
	Replace hydraulic hoses (Fixed part)																	△		
	Adjust brake cables																		○	
	Replace brake cables																		△	
	Replace cables for traveling																		△	
	Replace brake pads																		△	

- *1: Consult your local Baroness Dealer or local KUBOTA Dealer for this service.
- The items above (*2 marked) are registered as emission related critical parts by KUBOTA in the U.S. EPA nonroad emission regulation.
As the engine owner, you are responsible for the performance of the required maintenance on the engine according to the above instruction.
Please see the Engine's Warranty Statement in detail.
- *3: Refer to the Engine's Owner's Manual.
- *4: Refer to the Battery's Owner's Manual.
- *5: The replacement period of engine oil is scheduled shorter than the engine factory-recommended period according to the features of this machine.
- The values for consumables are not guaranteed.
- Replace the steering cylinder hoses every 2 years.

Adjusted Value

Fan belt	10 mm (0.39 in)	Belt slack
----------	-----------------	------------

Maintenance

Jacking Up The Machine

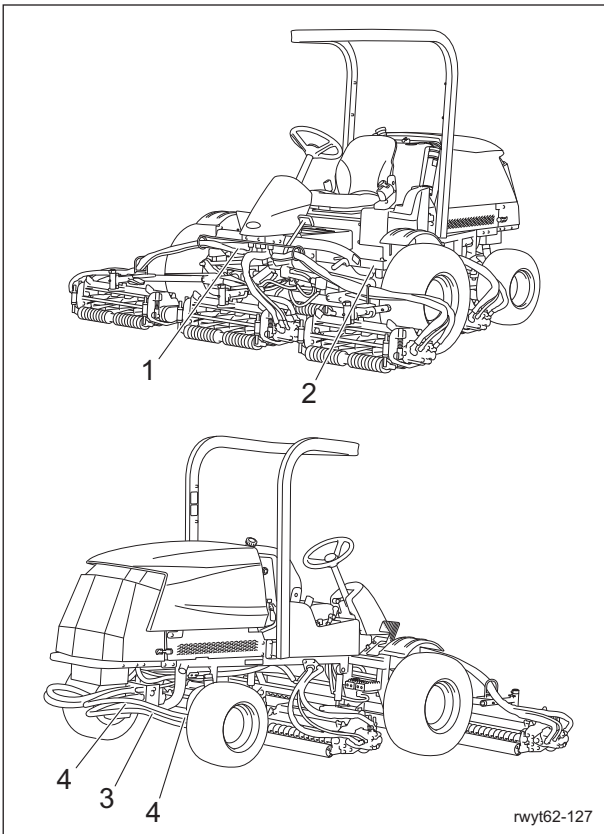
About Jacking Up The Machine

Warning

When replacing a tire or beginning any other maintenance or repairs, be sure to chock the wheels to prevent the machine from moving. Before jacking up the machine, park it on a hard, flat surface such as a concrete floor and remove any obstacles that could prevent you from performing the work safely. When necessary, use an appropriate chain block, hoist, or jack. Support the machine securely with jack stands or appropriate blocks. Failure to do so may cause the machine to move or fall, resulting in injury or death.

Use the jack-up points identified in this manual when jacking up the machine. Only place a jack under the jack-up points specified. Placing a jack at any other point could result in damage to the frame or other parts.

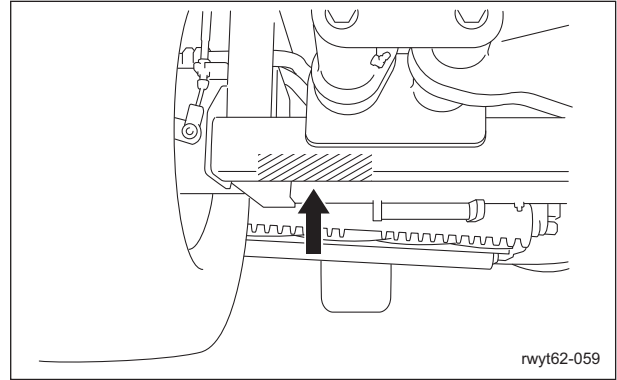
Jack-Up Points



Jack-Up Points_001

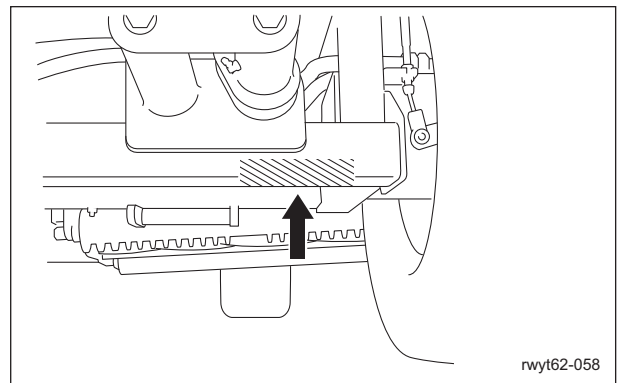
	Jack-up Points
1	Front right frame
2	Front left frame
3	Rear frame
4	Pivot

1. Front right frame



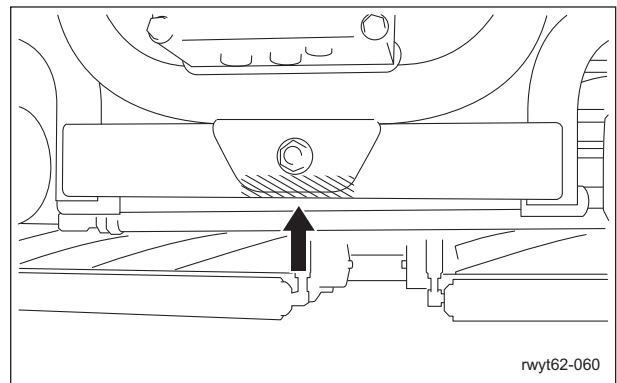
Jack-Up Points_002

2. Front left frame



Jack-Up Points_003

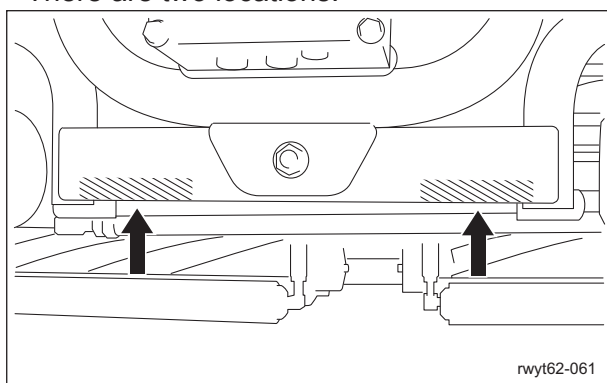
3. Rear frame



Jack-Up Points_004

4. Pivot

There are two locations.



Jack-Up Points_005

Greasing

About Greasing

Since there may be adhesion or damage due to lack of grease on moving parts, they must be greased.

Add urea-based No. 2 grease in accordance with the Maintenance Schedule.

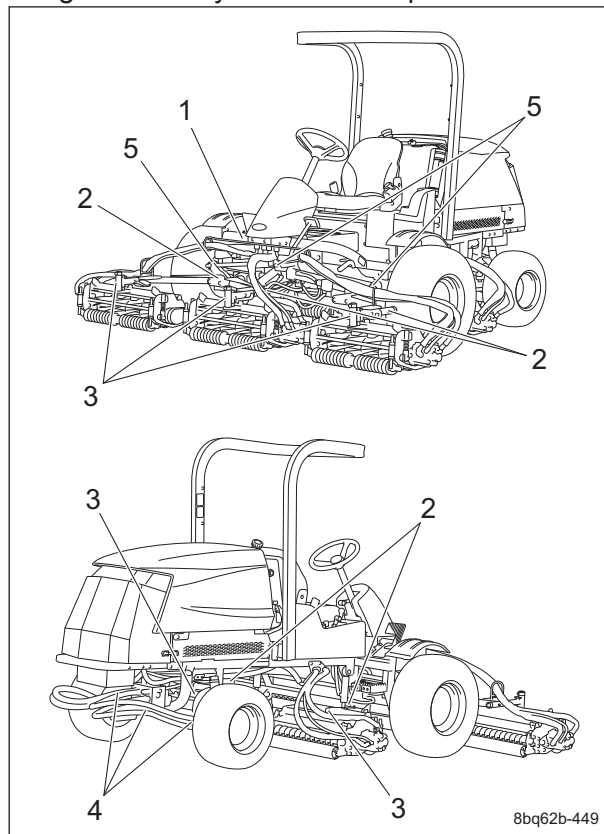
Other locations where the specified grease or lubricant is used are indicated in "Greasing Points".

Add grease using the specified grease or lubricant.

Greasing Points

Grease nipples are installed in the following locations.

Add grease every 50 hours of operation.

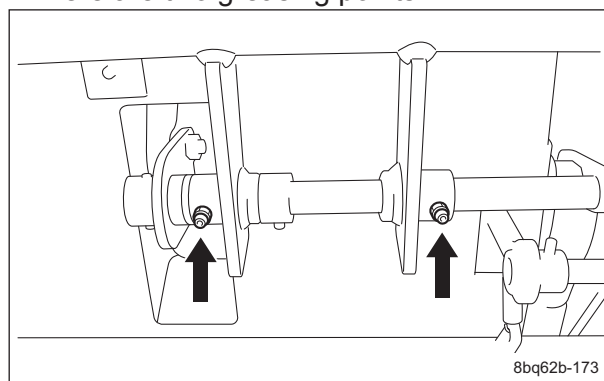


Greasing Points_001

	Location	No. of greasing points
1	Pedal shaft fulcrum	2
2	Lift arm fulcrum	5
3	Mower unit fulcrum	5
4	Pivot	3
5	Cylinder shaft	4

1. Pedal shaft fulcrum

There are two greasing points.



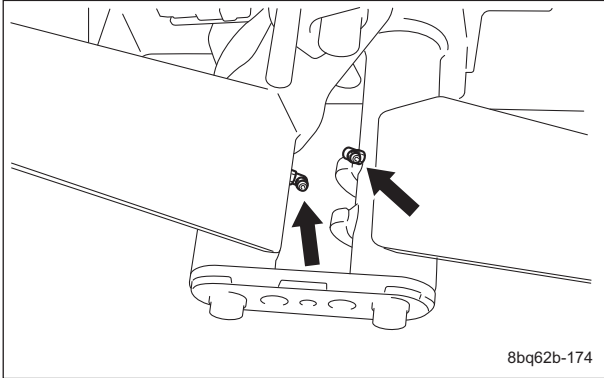
Greasing Points_002

Maintenance

2. Lift arm fulcrum

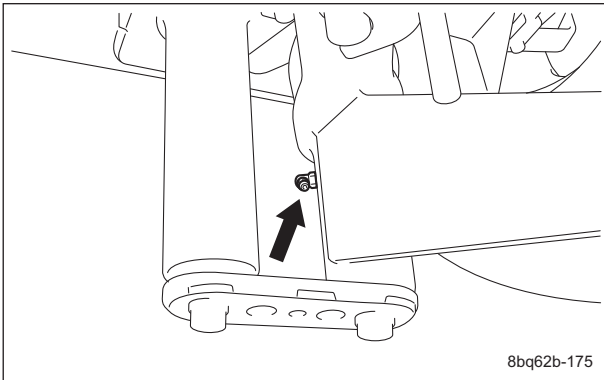
There is one greasing point on each lift arm fulcrum connected to the mower unit.
Before greasing a lift arm fulcrum, lower the mower unit.

Mower units #1 and 4



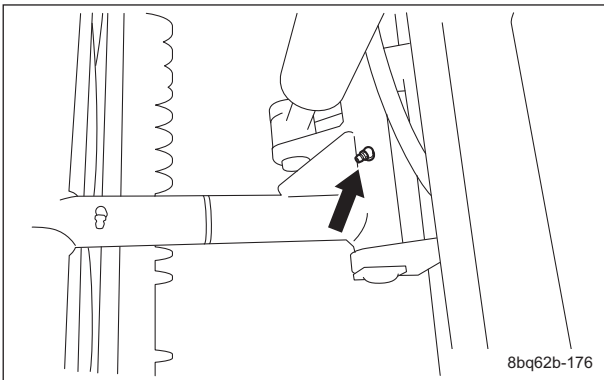
Greasing Points_003

Mower unit #5



Greasing Points_004

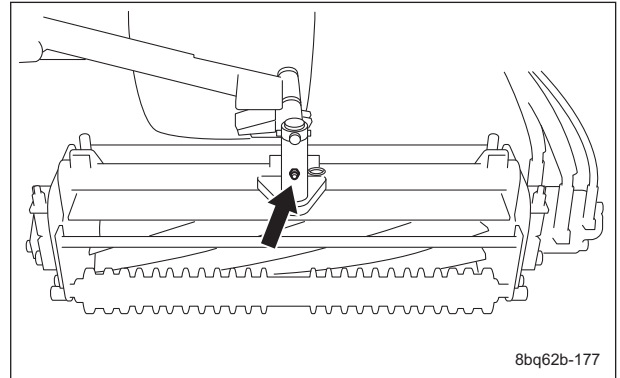
Mower unit #2 and 3



Greasing Points_005

3. Mower unit fulcrum

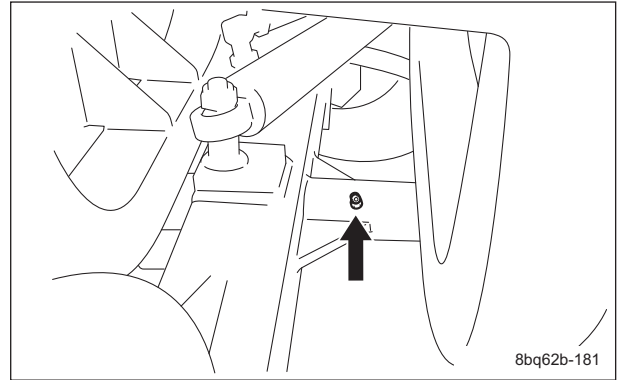
There is one greasing point on each mower unit.



Greasing Points_006

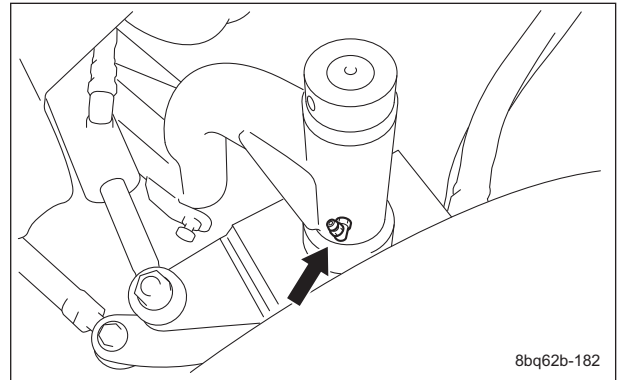
4. Pivot

There are three greasing points.
Middle between rear wheels



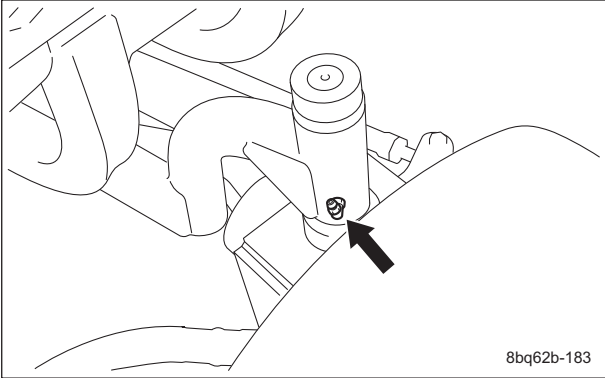
Greasing Points_007

Rear left wheel



Greasing Points_008

Rear right wheel

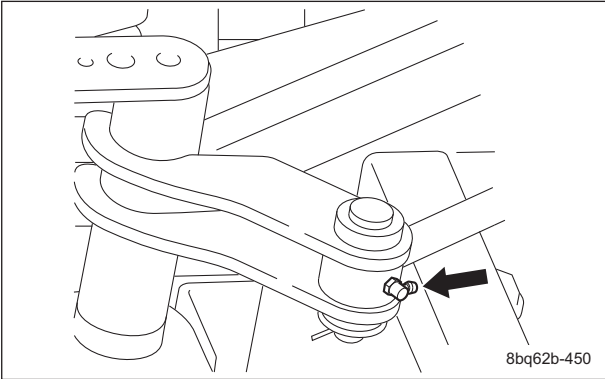


Greasing Points_009

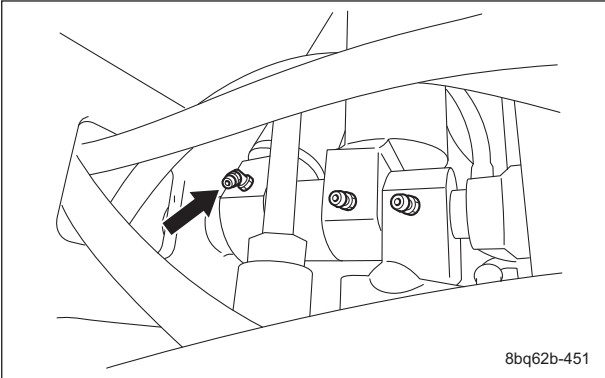
5. Cylinder shaft

Cylinder shaft #1

There are two greasing points on the cylinder shaft.



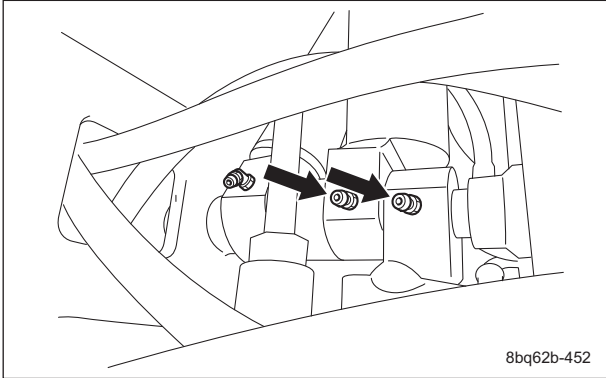
Greasing Points_010



Greasing Points_011

Cylinder shafts #4 and 5

There is one greasing point each on the cylinder shafts.



Greasing Points_012

Maintenance

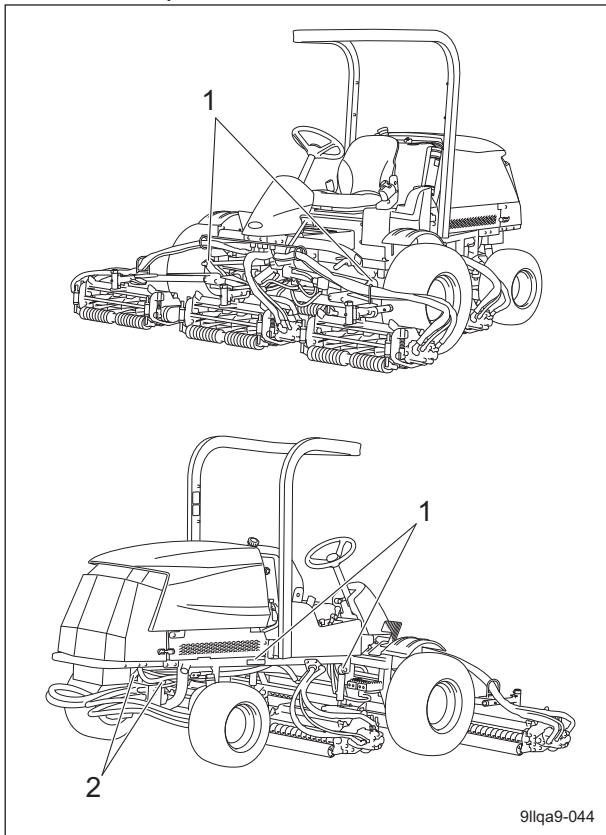
Lubrication

About Lubrication

It is necessary to lubricate moving parts so that they will not become stuck or damaged. The locations where lubricant is used are indicated in "Lubricating Points". Apply the lubricant.

Lubricating Points

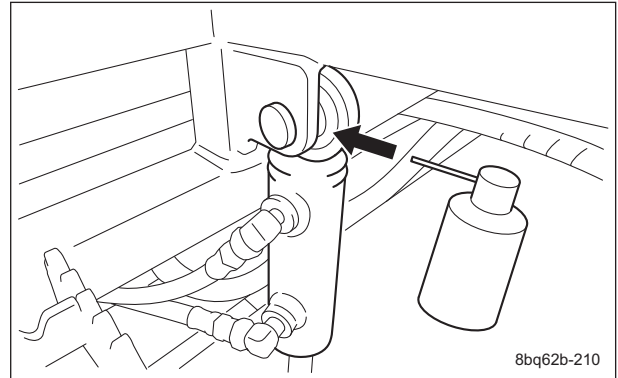
Apply lubricant at the following locations every 50 hours of operation.



Lubricating Points_001

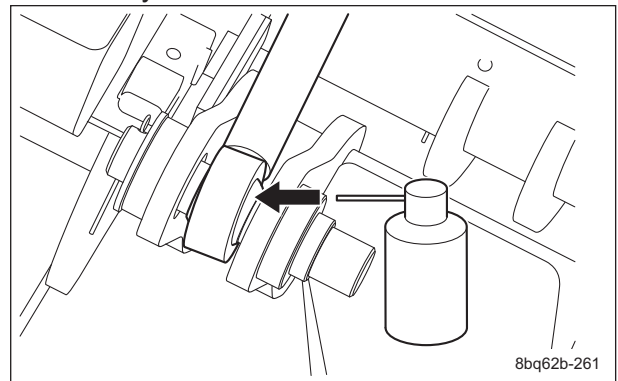
	Location	No. of greasing points
1	Mower cylinder spherical bearing	4
2	Steering cylinder spherical bearing	2

1. Mower cylinder spherical bearing
There is one point on each mower cylinder. Mower cylinder #2 and 3



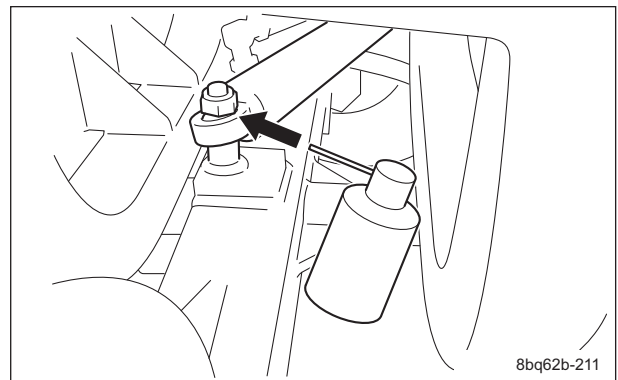
Lubricating Points_002

- Mower cylinder #4 and 5



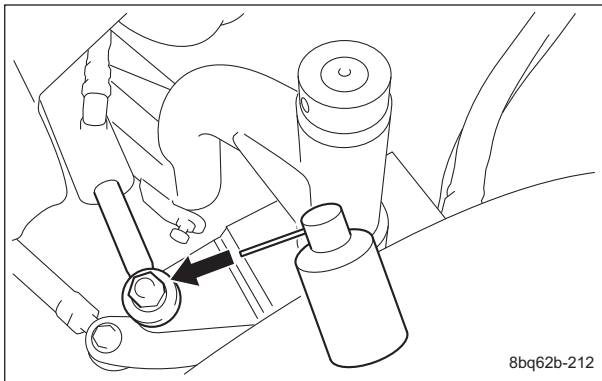
Lubricating Points_003

2. Steering cylinder spherical bearing
Middle between rear wheels



Lubricating Points_004

Rear left wheel



Lubricating Points_005

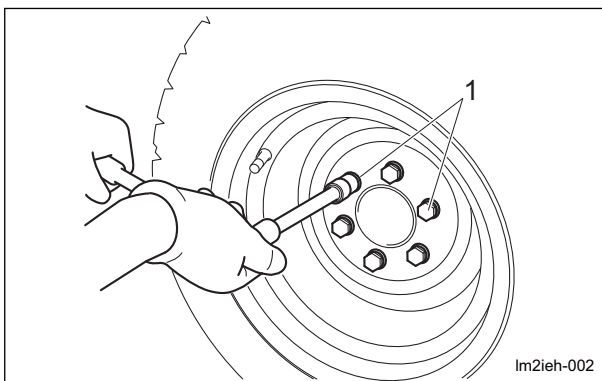
Maintenance Work

Removing/Installing Tires

Front Tires

Follow the steps below to remove the front tires:

1. Loosen the bolts.



Front Tires_001

1	Heat-treated bolt
---	-------------------

2. Securely place the jack beneath the jack-up point of the front left/right frame area, and then raise it until the tire lifts off the ground. "Jack-Up Points" (Page 5-8)
3. Remove the bolts.
4. Remove the tire from the wheel mounting seat.

Important

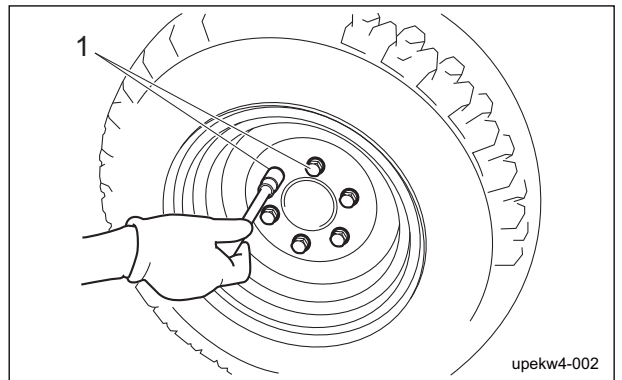
Tighten the bolts in the tightening order (diagonally).

For installing the front tires, reverse the removing procedure.

Rear Tire

Follow the steps below to remove the rear tires:

1. Loosen the bolts.



Rear Tire_001

1	Heat-treated bolt
---	-------------------

2. Securely place the jack beneath the jack-up point of the rear frame area, and then raise it until the tire lifts off the ground. "Jack-Up Points" (Page 5-8)
3. Remove the bolts.
4. Remove the tire from the wheel mounting seat.

Important

Tighten the bolts in the tightening order (diagonally).

For installing the rear tires, reverse the removing procedure.

Maintenance

Adjustment of Belt Tension

Warning

Be sure to stop the engine before adjusting the belts.

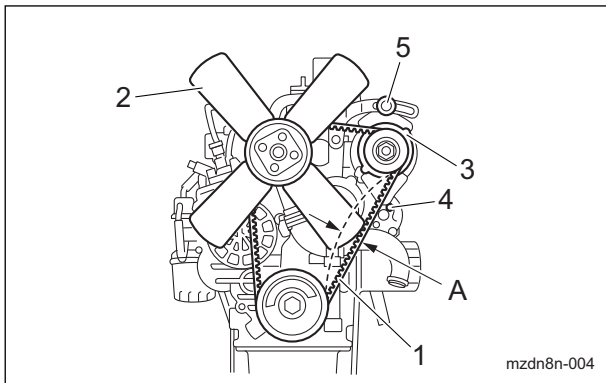
Important

Before making sure of belt tension, rotate the belt several times.

If the belt becomes slack due to frequent use, it may jump or slip.
 In addition, if it is overtightened, it may wear prematurely.
 If necessary, adjust it, and always check the belt for appropriate tension.

Fan Belt

1. Press the middle of the belt with your finger to check the belt tension.
2. If the belt tension is incorrect, loosen bolt A and bolt B (securing the alternator), and then move the alternator to adjust the tension.



Fan Belt_001

1	Fan Belt
2	Blade
3	Alternator
4	Bolt A
5	Bolt B
A	10 mm (0.39 in)

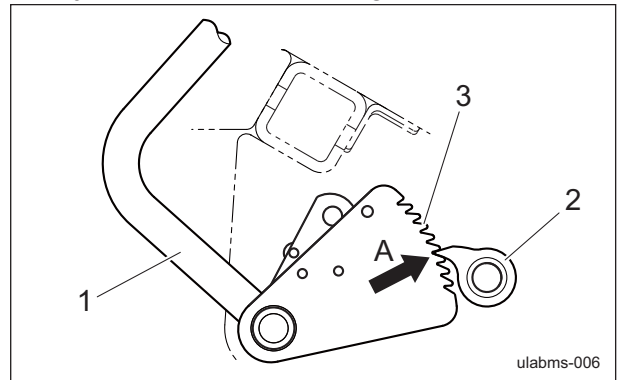
Adjustment of Parking Brake

Danger

If the brake wire is cut, the machine will be unable to stop. This would be extremely dangerous.

If the brake wire is cracked or damaged, replace it with a new one immediately.
 If the brake is not sufficiently effective, adjust the brake wire.

1. Check position of the notch of the parking brake.
2. Depressing the brake pedal firmly, move the parking brake lock lever forward with a foot. Make adjustments with the adjustment bolt inside of the tire so that the latch of the parking brake lock lever is positioned at arrow A (fourth notch from the bottom). "Adjustment of Brake" (Page 5-15)



Adjustment of Parking Brake_001

1	Brake pedal
2	Latch
3	Notch

Adjustment of Brake

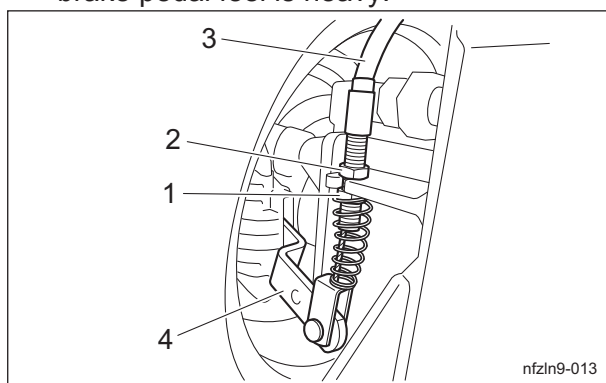
⚠ Danger

If the brake wire is cut, the machine will be unable to stop. This would be extremely dangerous.
If the brake wire is cracked or damaged, replace it with a new one immediately.
If the brake is not sufficiently effective, adjust the brake wire.

Important

Adjust to reduce the play in the brake lever as much as possible so that the brake does not drag when the lever is released.

- Adjust the brake by tightening the brake wire adjustment bolt.
 - If there is too much play in the brake lever, the braking power is reduced and the brake pedal feel is light.
 - If there is too little play in the brake lever, the braking power is increased and the brake pedal feel is heavy.



Adjustment of Brake_001

1	Lock nut
2	Adjustment bolt
3	Brake wire
4	Brake lever

- Start the engine and drive to check the following.
 - Make sure that heat is not generated in the brake area.
 - Make sure that the left and right brakes are equally effective.

⚠ Danger

It would be extremely dangerous and may result in an unexpected accident if the left and right brakes are not equally effective.

- If the left and right brakes are not equally effective, make fine adjustments with the adjustment bolt on the brake wire.

Break-In of Brakes

If the brake shoes or brake pads are worn, replace them with new ones.
Immediately after replacement, drive to break in the brakes if the effectiveness of the brakes is low.
While driving, lightly operate the brakes to break in the contact areas.

Adjusting the Neutral Position of the Piston Pump

⚠ Caution

Make sure not to touch rotating tires.

⚠ Caution

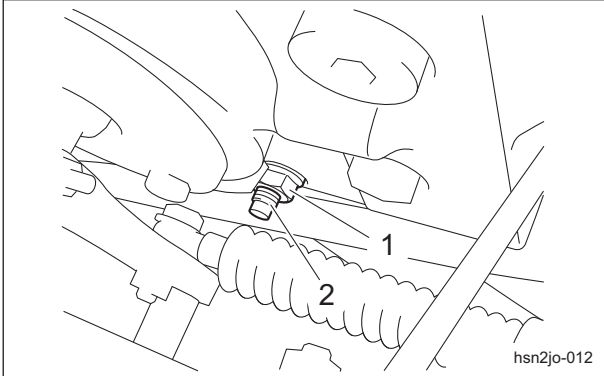
When adjusting the neutral position, pay close attention to abrupt start of the machine.
Place the jacks beneath the jack-up points, and then lift the machine until all the tires get off the ground.

If the machine moves forward or backward while the traveling pedals are released, they are not set to the neutral position.
Follow the steps below to make adjustments.

- Stop the engine.
- Place the jacks beneath the jack-up points, and then lift the machine off the ground.
"Jack-Up Points" (Page 5-8)
- Make sure that no tires get contact with the jack stand.
- Start the engine, and rev it up to the maximum rpm.
- Adjust the neutral position.
[1] Loosen the lock nuts.

Maintenance

[2] Rotate the traction adjusting cam slowly until all wheels stop.
Find the position where all wheels stop and lock the traction adjusting cam with the lock nut.



Adjusting the Neutral Position of the Piston Pump_001

1	Lock nut
2	Traction adjusting cam

Change of Coolant

⚠ Caution

Do not touch the radiator or coolant during engine operation or immediately after the engine has been turned off. Otherwise, you may get burned.

⚠ Caution

Change coolant after the engine has well cooled down.

⚠ Caution

The radiator cap is pressurized. If you remove the radiator cap while the engine is overheated, hot steam will burst out, possibly resulting in burns. Make sure that the water temperature and pressure are reduced, and then grab the cap with a thick cloth and gradually open the cap.

Important

When changing the coolant, be sure to drain it into a container and discard it in accordance with local laws and regulations.

Important

When changing the coolant, be sure to mix clean water (soft water) and antifreeze (long-life coolant), and then pour it into the radiator and reserve tank.

Important

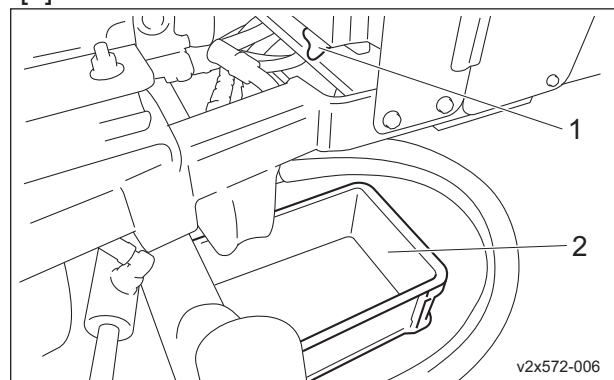
Tightly close the radiator cap. If the cap is loose or incorrectly installed, water may leak and the engine may overheat.

When mixing antifreeze and clean water (soft water), refer to "Relationship between concentration of long-life coolant (LLC) and freezing temperature" below for the mixing ratio.

Relationship between concentration of long-life coolant (LLC) and freezing temperature

Freezing temperature	LLC concentration (volume %)
Down to -10 °C (14 °F)	20 %
Down to -15 °C (5 °F)	30 %
Down to -20 °C (-4 °F)	35 %
Down to -25 °C (-13 °F)	40 %

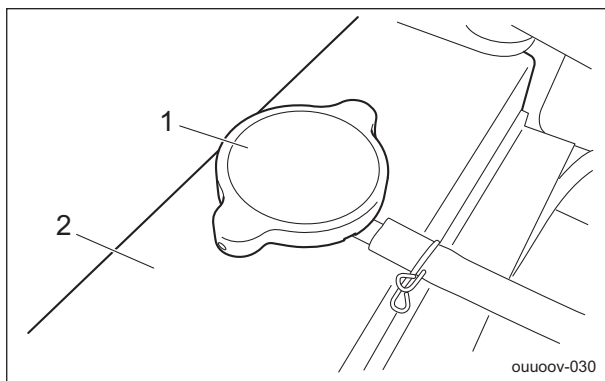
1. Stop the engine, and then allow the radiator to cool.
2. Open the hood.
3. Follow the steps below to drain the coolant.
 - [1] Position a container to drain the coolant into.
 - [2] Loosen the drain cock of the radiator.



Change of Coolant_001

1	Radiator drain cock
2	Container

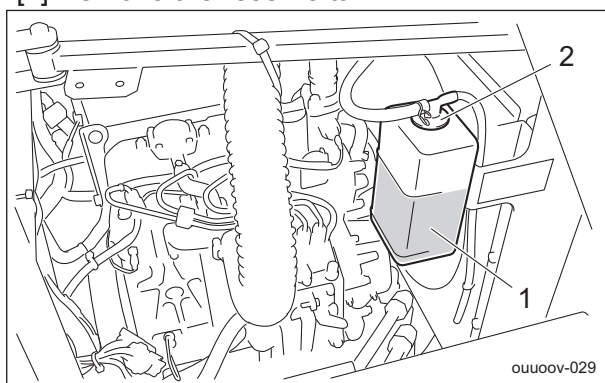
- [3] Remove the radiator cap and drain the coolant.



Change of Coolant_002

1	Radiator cap
2	Radiator

- [4] Remove the reserve tank.



Change of Coolant_003

1	Reserve tank
2	Reserve tank cap

- [5] Open the reserve tank cap, and then drain the coolant.
4. Install the reserve tank.
 5. Clean the radiator with clean water (soft water) to remove any debris or rust.
 6. Drain all water from the radiator.
 7. Follow the steps below to fill with coolant. The coolant quantity, including the reserve tank, is 6.0 dm³ (6.0 L).
 - [1] Install the drain plug.
 - [2] Supply clean water (soft water) and antifreeze into the radiator up to the radiator cap opening.
 - [3] Close the radiator cap.
 - [4] Supply clean water (soft water) and antifreeze into the reserve tank up to the "FULL" mark.
 - [5] Close the reserve tank cap.

8. Start the engine, and then idle for several minutes to bleed air from the system.
9. Stop the engine, and then allow the radiator to cool.
10. Check if the coolant level in the reserve tank is between "FULL" and "LOW", and then supply coolant if necessary.
11. Close the hood.

Change of Hydraulic Oil Filter

Change of Hydraulic Oil Line Filter

⚠ Caution

Be careful with hot oil, which could cause burns if it contacts your skin.

Important

When replacing the hydraulic oil filter, be sure to drain the oil into a container and discard it in accordance with local laws and regulations.

Important

If the hydraulic oil emulsifies or if it becomes even slightly less transparent, change the oil immediately.

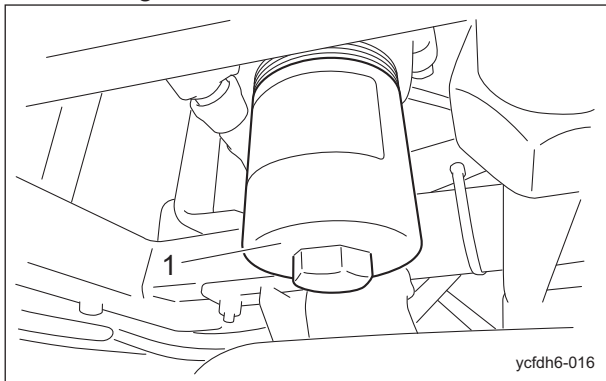
Important

Use Shell Tellus S2M46 (or equivalent) as hydraulic oil.

1. On a level surface, lower the mower units, and then stop the engine.
2. Remove the old filter cartridge.
3. Lightly coat the packing of the new filter cartridge with hydraulic oil, and then install the cartridge.

Maintenance

4. Firmly tighten the filter cartridge by hand so that the packing contacts the mounting surface.
Then, tighten it an additional 1/2 turn.



Change of Hydraulic Oil Line Filter_001

1	Cartridge filter
---	------------------

5. Supply hydraulic oil until it reaches the specified level.
"Hydraulic Oil Supply" (Page 4-5)
6. Start the engine, and then after the hydraulic oil has warmed up, stop the engine.
7. Check underneath the machine for hydraulic oil leakage.

Change of Hydraulic Suction Filter

Caution

Be careful with hot oil, which could cause burns if it contacts your skin.

Important

When replacing the hydraulic oil filter, be sure to drain the oil into a container and discard it in accordance with local laws and regulations.

Important

If the hydraulic oil emulsifies or if it becomes even slightly less transparent, change the oil immediately.

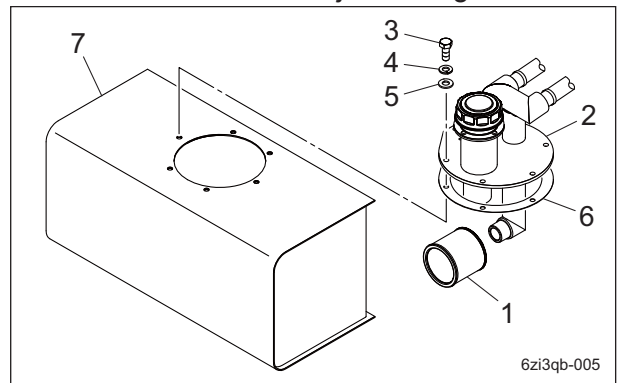
Important

Use Shell Tellus S2M46 (or equivalent) as hydraulic oil.

Important

Replace the intake port packing with a new one.

1. On a level surface, lower the mower units, and then stop the engine.
2. Remove the center cover.
3. Remove bolts, spring washers and washers, and then remove the intake hose joint fitting.
4. Remove the old suction filter and intake port packing.
5. Remove all of the old liquid gasket from the hydraulic tank.
6. Remove all of the old liquid gasket and the intake port packing from the intake hose joint fitting.
7. Wash and clean the intake hose joint fitting.
8. Apply liquid gasket to the new intake port packing and then install it to the intake hose joint fitting.
9. Install the new suction filter to the intake hose joint fitting.
10. Install the intake hose joint fitting.



Change of Hydraulic Suction Filter_001

1	Suction filter
2	Intake hose joint fitting
3	Bolt
4	Spring washer
5	Washer
6	Intake port packing
7	Hydraulic tank

11. Install the center cover.
12. Supply hydraulic oil until it reaches the specified level.
"Hydraulic Oil Supply" (Page 4-5)
13. Start the engine and stop it after hydraulic oil warmed.

14. Check underneath the machine for hydraulic oil leakage.

Change of Hydraulic Oil

⚠ Caution

When you change the hydraulic oil, be sure to drain it into a bowl and discard it in accordance with local laws and regulations.

⚠ Caution

If the oil emulsifies or if it becomes even slightly less transparent, change the oil immediately.

⚠ Caution

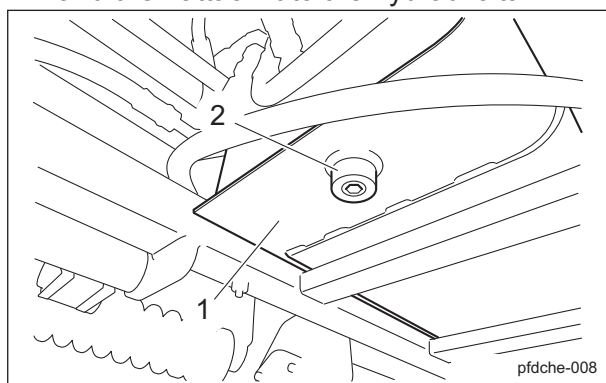
Be careful with hot oil, which could cause burns if it contacts your skin.

Important

Use Shell Tellus S2M46 (or equivalent) as hydraulic oil.

1. Follow the steps below to remove the old oil.

- [1] Start and run the engine to warm up the oil.
- [2] On a level surface, lower the mower units, and then stop the engine.
- [3] Remove the drain plug of the hydraulic tank, and then drain the old oil into a container.
- [4] Wind new sealing tape on the drain plug, and then attach it to the hydraulic tank.

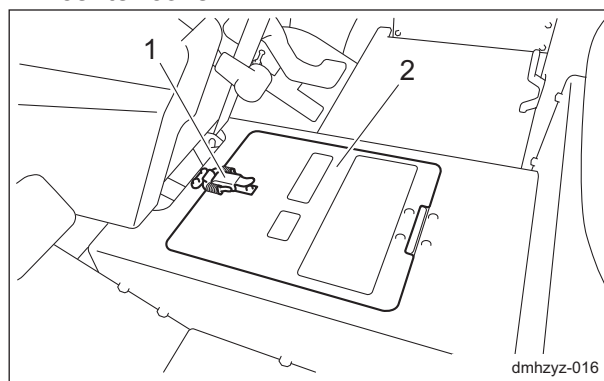


Change of Hydraulic Oil_001

1	Hydraulic tank
2	Drain plug

2. Follow the steps below to pour new oil.
The hydraulic tank capacity is approximately 35.0 dm³ (35.0 L).

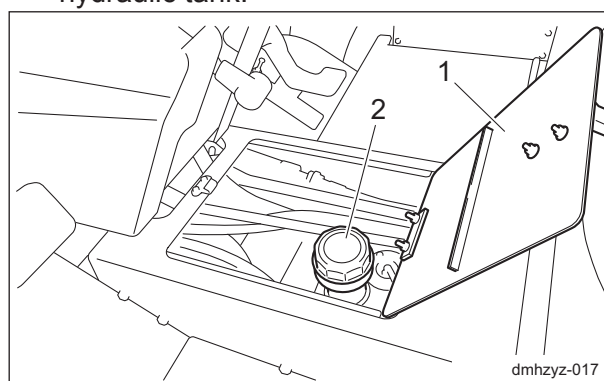
- [1] Release the catch clip and open the center cover.



Change of Hydraulic Oil_002

1	Catch clip
2	Center cover

- [2] Open the tank cap and pour hydraulic oil from the fill port until the oil level reaches the middle of the oil gauge on the hydraulic tank.



Change of Hydraulic Oil_003

1	Center cover
2	Tank cap

- [3] Tighten the tank cap securely.
[4] Close the center cover and fasten with the catch clip.

3. Start the engine, raise and lower the mower units, and turn the steering wheel left and right.
Move forward and reverse repeatedly several times.
4. Lower the mower units and maintain that position on a level surface, and then check to see if the oil level is at the middle of the oil gauge. If necessary, supply oil.

Maintenance

5. Check underneath the machine for oil leakage.

Change of Air Cleaner

A contaminated air cleaner element may cause malfunction of the engine.

To maximize the life of the engine, replace the air cleaner element at the appropriate times.

1. The timing for replacing the air cleaner element is described below.
 - [1] Replace the air cleaner element in accordance with the Maintenance Schedule.
 - [2] If it is significantly contaminated, replace it, even if the hours of operation do not exceed the specified time.
2. Replace the air cleaner element by following the same steps as for cleaning the air cleaner.

"Cleaning of Air Cleaner" (Page 4-6)

Change of Engine Oil

Warning

When you change the engine oil, be sure to drain it into a bowl and discard it in accordance with local laws and regulations.

Caution

Be careful with hot oil, which could cause burns if it contacts your skin.

Important

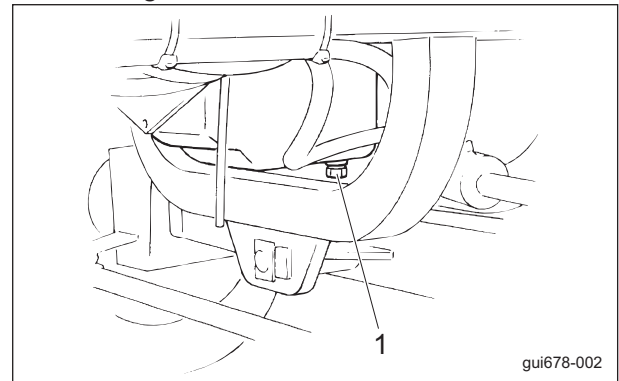
Be sure to use engine oil that is classified as API Service Grade CF or higher, with an SAE Viscosity that is appropriate for the operating environment (ambient temperature).

Important

Securely tighten the oil level gauge and oil filler cap.

Change the engine oil more frequently if the engine oil is contaminated, and especially if you use the machine in dusty areas or operate the engine at high loads or in high temperatures.

1. Follow the steps below to remove the old engine oil.
 - [1] Start and run the engine to warm up the engine oil.
 - [2] Stop the engine on a level place.
 - [3] Remove the drain plug and then drain the old engine oil into a container.

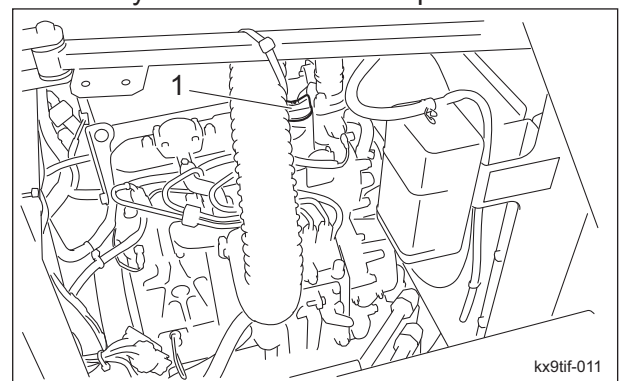


Change of Engine Oil_001

1	Drain plug
---	------------

- [4] Re-place the drain plug.
2. Remove the oil filler cap, and then supply new engine oil until the oil reaches a level in between the upper and lower limit lines on the oil level gauge.

Engine oil quantity is approximately 3.1 dm³ (3.1 L).
3. Securely install the oil filler cap.



Change of Engine Oil_002

1	Oil filler cap
---	----------------

4. It will take a while for the supplied engine oil to descend into the oil pan.

Check the oil level again 10 to 20 minutes after supplying the oil.

5. Check underneath the machine for hydraulic oil leakage.

Change of Engine Oil Filter

⚠ Caution

Be careful with hot oil, which could cause burns if it contacts your skin.

Important

When replacing the engine oil filter, be sure to drain the engine oil into a container and discard it in accordance with local laws and regulations.

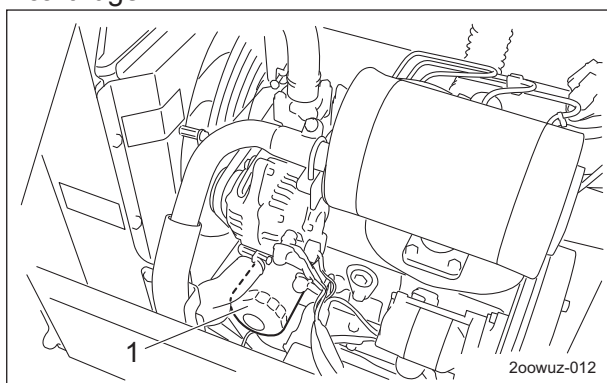
Important

Be sure to use engine oil that is classified as API Service Grade CF or higher, with an SAE Viscosity that is appropriate for the operating environment (ambient temperature).

Important

Securely tighten the oil level gauge and oil filler cap.

1. With the filter wrench, remove the old filter cartridge.



Change of Engine Oil Filter_001

1	Filter cartridge
---	------------------

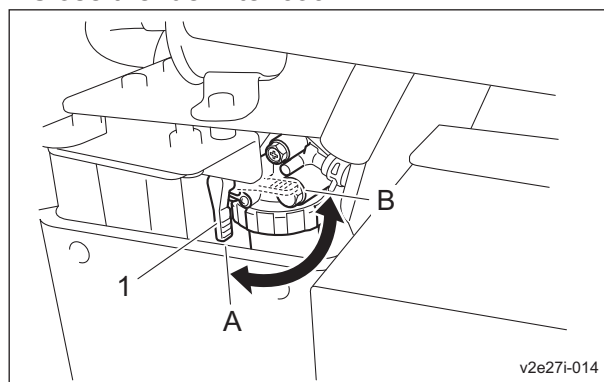
2. Lightly coat the packing of the new filter cartridge with engine oil.
3. Hand-tighten the filter cartridge until the packing contacts the sealing surface, and then firmly hand-tighten (without using a filter wrench).
4. Supply engine oil until it reaches the specified level.
"Supply of Engine Oil" (Page 4-9)

5. Start the engine, and then stop it after 10 to 20 minutes.
6. Make sure that there is no oil leakage at the sealing surface of the filter cartridge.
7. Check the engine oil level.
If it is low, supply engine oil until it reaches the specified level.

Change of Fuel Filter Element

If dust or dirt accumulates in the fuel filter, the fuel flow will become insufficient. Replace the fuel filter at the appropriate times. The fuel filter is located on the left under the hood.

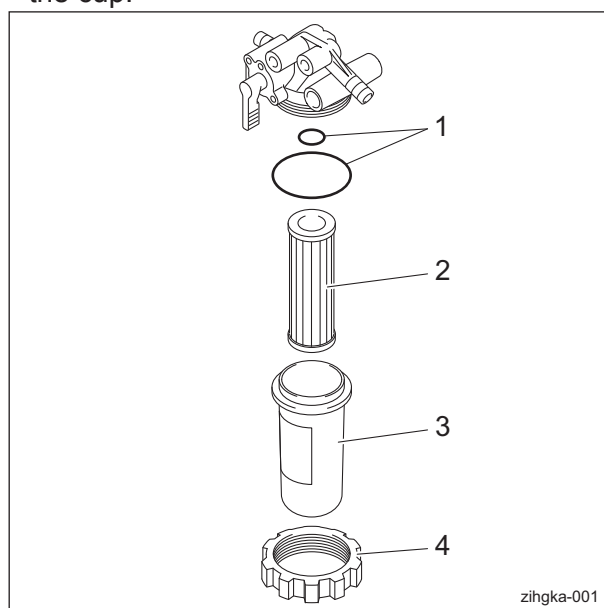
1. Close the fuel filter cock.



Change of Fuel Filter Element_001

1	Fuel cock
A	ON (Open)
B	OFF (Close)

2. Remove the retaining ring and then remove the cup.



Change of Fuel Filter Element_002

Maintenance

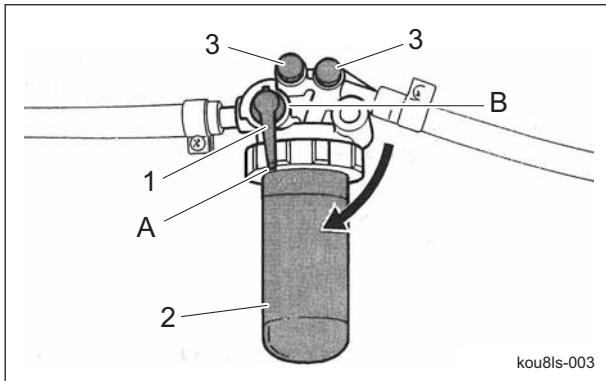
1	O-ring
2	Element
3	Cup
4	Retaining ring

3. Clean the inside of the cup with light oil.

Important

When installed, be careful that it is not contaminated with dirt or dust. If the fuel is contaminated with dirt or dust etc., the fuel injection pump and injection nozzle will become worn.

4. Install a new element and put the parts back together.
5. Fill up the fuel tank with fuel and open the fuel cock.



Change of Fuel Filter Element_003

1	Fuel cock
2	Fuel filter
3	Air-bleeding plug
A	ON (Open)
B	OFF (Close)

6. The key is turned to the "ON" position. The fuel pump is operated after replacement, air bleeding will occur automatically.
7. Turn the key to the "START" position and remove air out of the fuel line.
8. In the case that there are still air bubbles in the fuel from air-bleeding plug even after 15 seconds or more pass after setting the ignition key to "START", pause for 30 seconds or more and then repeat the same steps.

Change of Fuse

Fuse Box

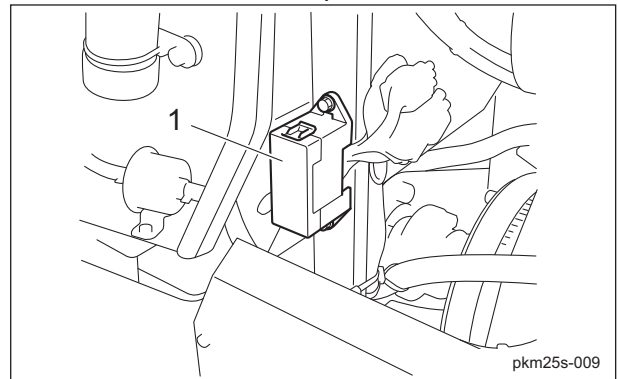
Important

Before performing maintenance on the electrical system, be sure to disconnect the negative terminal of the battery.

Important

If a fuse is blown, the electrical circuit may be shorted. Check to identify the cause, such as a bad terminal connection, damaged wiring or terminals, or incorrect wiring.

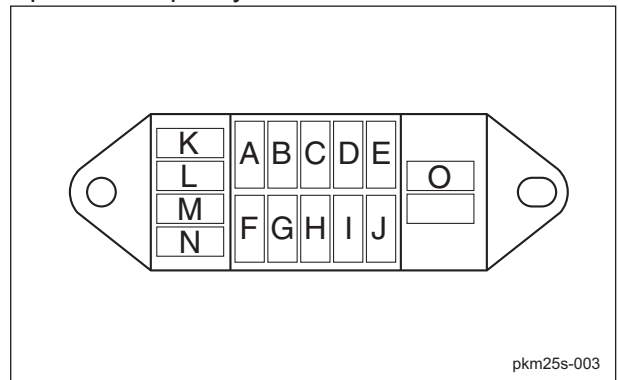
The fuse box includes spare fuses and tools.



Fuse Box_001

1	Fuse box
---	----------

The machine uses a mini fuse for automobiles. Replace an old fuse with a new fuse of the specified capacity.

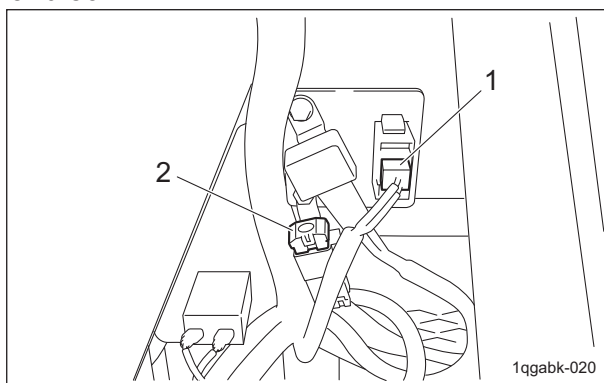


Fuse Box_002

A	5 A	Glow lamp timer
B	5 A	Glow lamp
C	5 A	Fuel pump
D	5 A	Charge lamp, oil pressure lamp (engine oil pressure lamp), water temperature gauge, buzzer, hour meter, fuel gauge
E	15 A	Reel normal rotation solenoid, reel reverse rotation solenoid, slight lift check valve
F	15 A	Light
G	5 A	Relay (starter)
H	5 A	Alternator (IG)
I	5 A	#4/#5 proximity switch relay, #4/#5 proximity switches, stop solenoid(for backlapping), relay box
J	5 A	Starter relay, safety relay, stop solenoid, reel rotation ON relay, lever down relay, normal/reverse rotation relay, unit down proximity switch, pump neutral proximity switch, brake proximity switch
K	5 A	Spare
L	5 A	Spare
M	15 A	Spare
N	15 A	Spare
O		Tool

Fusible Link

Fuse capacities of the fusible links are 30 A and 50 A.



Fusible Link_001

1	Fusible link (30 A)
2	Fusible link (50 A)

Maintenance

BARONESS[®]
Quality on Demand

 **KYOEISHA CO., LTD.**
Head Office 1-26, Miyuki-cho, Toyokawa-city, Tel :+81-533-84-1390
Aichi-pref, 442-8530 JAPAN Fax:+81-533-84-1220