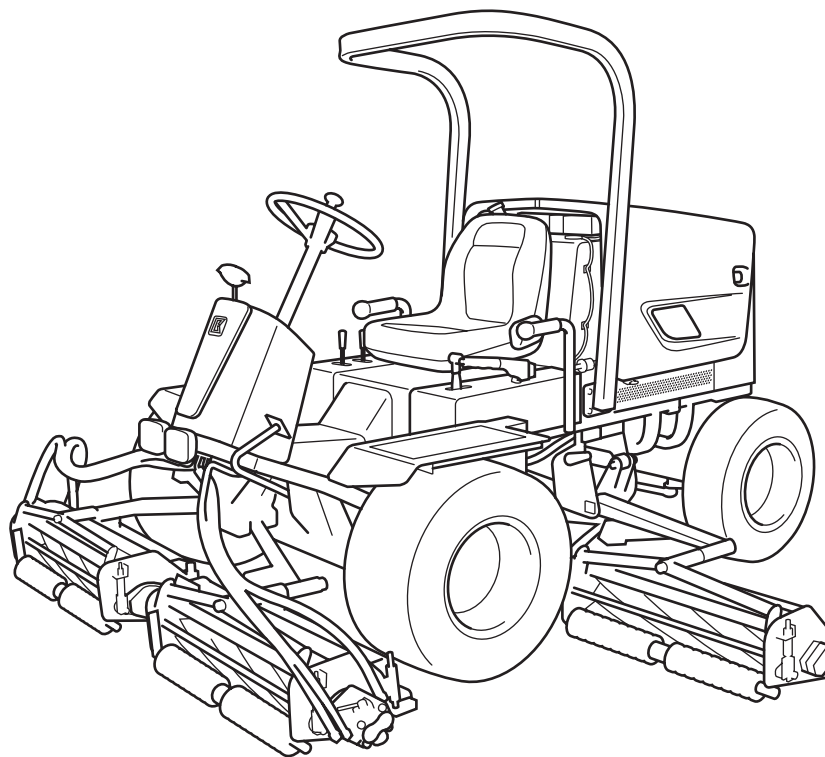


# ***LM285***

5-Unit Reel Mower

## Parts catalog



Serial No.10134-

**BARONESS**<sup>®</sup>  
Quality on Demand

Ver.1.5

# Contents

|   |    |
|---|----|
| PARTS CATALOGUE .....                                   | 2  |
| 101. Frame parts .....                                  | 3  |
| 102. Cover parts (Front) .....                          | 7  |
| 103. Cover parts (Rear) .....                           | 9  |
| 104. Front wheel parts.....                             | 11 |
| 105. Rear wheel parts .....                             | 13 |
| 106. Pedal parts .....                                  | 15 |
| 107. Engine parts .....                                 | 17 |
| 108. Radiator parts .....                               | 21 |
| 109. Hydraulic parts A(Cylinder system) .....           | 25 |
| 110. Hydraulic parts A(Power steering system) .....     | 29 |
| 111. Hydraulic parts B/TYPE_R (Reel motor system).....  | 31 |
| 113. Hydraulic parts C (Front wheel motor system) ..... | 33 |
| 114. Hydraulic parts C (Rear wheel motor system).....   | 37 |
| 115. Mower lift arm parts/TYPE_R.....                   | 39 |
| 117. Mower parts/TYPE_R (#1) .....                      | 41 |
| 118. Mower parts/TYPE_R (#2·#5) .....                   | 45 |
| 119. Mower parts/TYPE_R (#3·#4) .....                   | 49 |
| 123. Wheel parts .....                                  | 51 |
| 124. Roller Ass'y parts .....                           | 53 |
| 125. Accessory parts .....                              | 55 |
| 126. Roof parts (option).....                           | 57 |

## Greeting

Thank you for purchasing Baroness machine.  
We hope you will use the machine safely, and take advantage of its best performance.

## Note

(For inquiry about this machine)

Since the type of machine may be changed sequentially, inform us of the type and the serial number.

The information described in this manual is subject to change without prior notice.

When replacing parts, be sure to use Baroness parts or parts designated by Kyoisha.

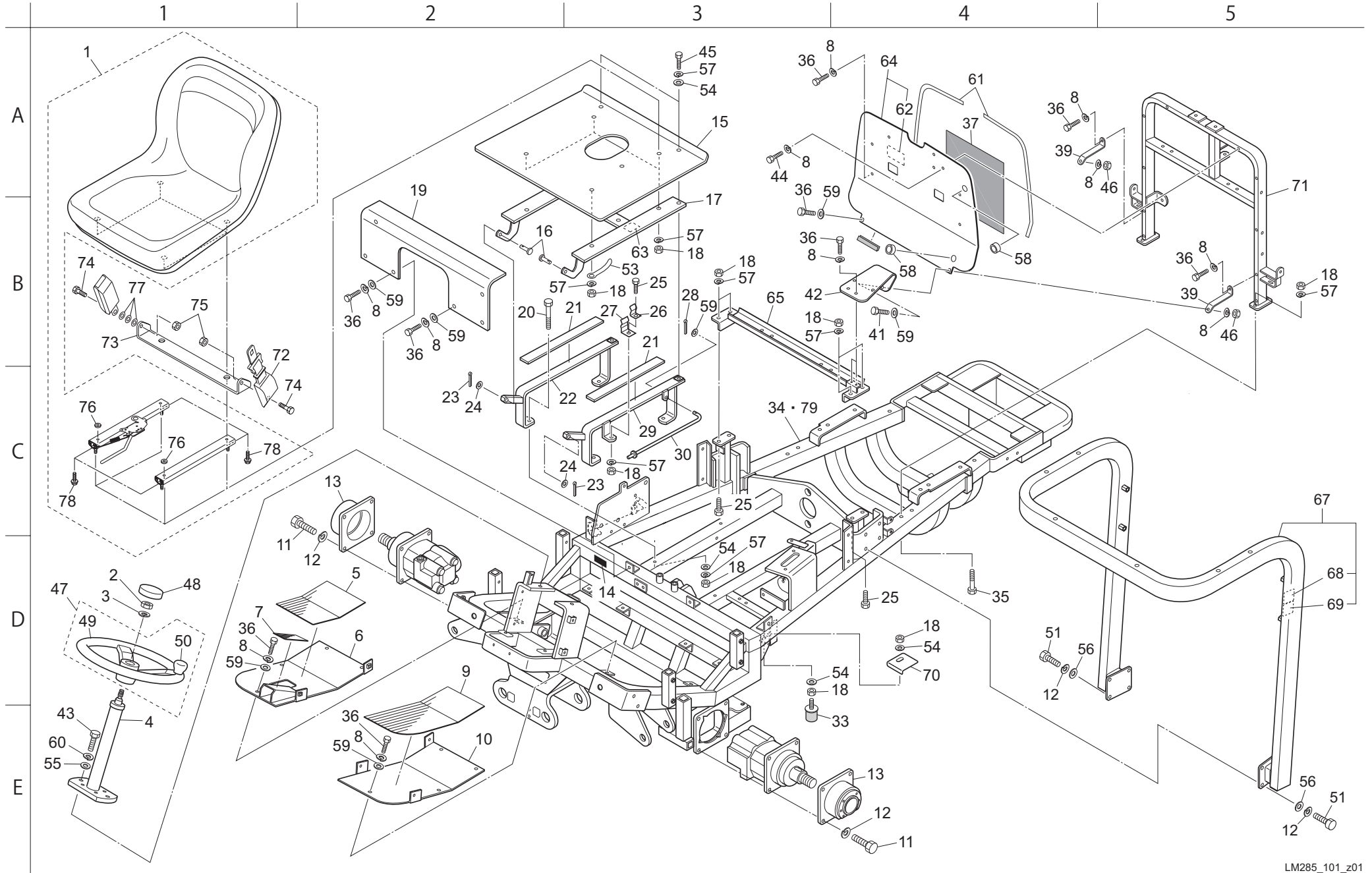
Note that the Baroness product warranty may not apply to defects caused by the use of parts from other companies.

(For ordering parts)

For prevention of delivery of wrong parts, be sure to inform us of the code number and the part name.

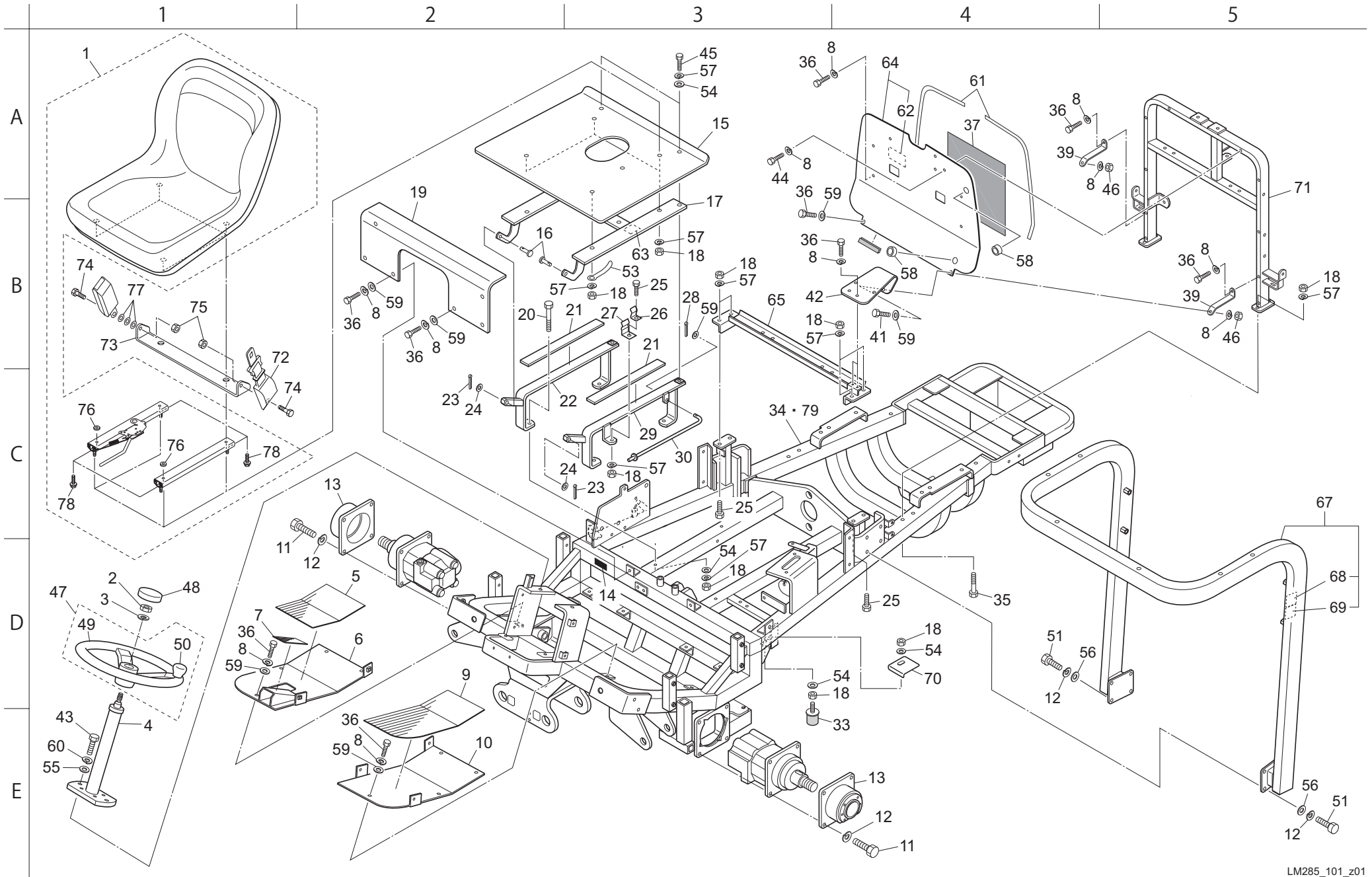
| Example: | Code No.      | Part Name | Qty |
|----------|---------------|-----------|-----|
|          | LM285--0601BD | FRAME     | 1   |

101. Frame parts



| Cat No. | Code No.      | Part name                     | Qty | Remark | SN of application | Cat No. | Code No.      | Part name                          | Qty | Remark | SN of application |
|---------|---------------|-------------------------------|-----|--------|-------------------|---------|---------------|------------------------------------|-----|--------|-------------------|
| 101-1   | K170000290    | SEAT ASSY, WITH SWITCH SPACER | 1   |        |                   | 101-36  | K0000060152   | BOLT, M6-15                        | 15  |        |                   |
| 101-2   | K0103140002   | NUT, P1.5 M14                 | 1   |        |                   | 101-37  | LM318--0630Z0 | INSULATOR, FUEL TANK               | 1   |        |                   |
| 101-3   | K0200140002   | WASHER, SPRING M14            | 1   |        |                   | 101-38  |               |                                    |     |        |                   |
| 101-4   | K1730000070   | COLUMN, STEERING              | 1   |        |                   | 101-39  | LM318--0621ZD | SUPPORT, ANTI WIND PLATE           | 2   |        |                   |
| 101-5   | LM318--0623Z0 | RUBBER, STEP (R)              | 1   |        |                   | 101-40  |               |                                    |     |        |                   |
| 101-6   | LM318--0648ZD | STEP, (R)                     | 1   |        |                   | 101-41  | K0000060202   | BOLT, M6-20                        | 1   |        |                   |
| 101-7   | LM318--0625Z0 | RUBBER, PLATE FOR PEDAL STEP  | 1   |        |                   | 101-42  | LM318--0637ZD | MOUNT, FUEL PUMP                   | 1   |        |                   |
| 101-8   | K0200060002   | WASHER, SPRING M6             | 21  |        |                   | 101-43  | K0000100302   | BOLT, M10-30                       | 2   |        |                   |
| 101-9   | LM318--0608Z0 | RUBBER, STEP (L)              | 1   |        |                   | 101-44  | K0000060102   | BOLT, M6-10                        | 6   |        |                   |
| 101-10  | LM318--0647ZD | STEP, (L)                     | 1   |        |                   | 101-45  | K0000080252   | BOLT, M8-25                        | 3   |        |                   |
| 101-11  | K0010120602   | BOLT, HT M12-60               | 8   |        |                   | 101-46  | K0100060002   | NUT, M6                            | 2   |        |                   |
| 101-12  | K0200120002   | WASHER, SPRING M12            | 16  |        |                   | 101-47  | K1710000070   | STEERING, WITH KNOB V027220-0000   | 1   |        |                   |
| 101-13  | LM318--0609ZD | HOUSING, HYDRAULIC MOTOR      | 2   |        |                   | 101-48  | K1310000130   | CAP, RUBBER                        | 1   |        |                   |
| 101-14  | K4203001290   | DECAL, STOP VALVE OPERATION   | 1   |        |                   | 101-49  | K1710000080   | STEERING, V027220-0101             | 1   |        |                   |
| 101-15  | LM285--0959ZD | COVER, UNDER SEAT             | 1   |        |                   | 101-50  | K1710000090   | KNOB, V027220-0200 ASSY            | 1   |        |                   |
| 101-16  | K6030100322   | PIN, FLAT HEAD M10-32         | 2   |        |                   | 101-51  | K0010120402   | BOLT, HT M12-40                    | 8   |        |                   |
| 101-17  | LM282--0646AD | PLATE, FOR MOUNTING SEAT      | 1   |        |                   | 101-52  |               |                                    |     |        |                   |
| 101-18  | K0100080002   | NUT, M8                       | 17  |        |                   | 101-53  | K4281000020   | CLAMP, HARNESS 8.5 80              | 1   |        |                   |
| 101-19  | LM282--0958ZD | COVER, FRONT (CENTER)         | 1   |        |                   | 101-54  | K5000080002   | WASHER, M8                         | 10  |        |                   |
| 101-20  | K0000080602   | BOLT, M8-60                   | 4   |        |                   | 101-55  | K5000100002   | WASHER, M10                        | 2   |        |                   |
| 101-21  | LM282--0606Z0 | RUBBER, FOR SEAT BASE         | 2   |        |                   | 101-56  | K5000120002   | WASHER, M12                        | 8   |        |                   |
| 101-22  | LM282--0605CD | FITTING, MOUNTING SEAT (R)    | 1   |        |                   | 101-57  | K0200080002   | WASHER, SPRING M8                  | 19  |        |                   |
| 101-23  | K0300025202   | PIN, COTTER M2.5-20           | 2   |        |                   | 101-58  | K0910000100   | GROMMET, C30NG79L                  | 2   |        |                   |
| 101-24  | K5011010162   | WASHER, SPCC 1-10-16          | 2   |        |                   | 101-59  | K5000060002   | WASHER, M6                         | 12  |        |                   |
| 101-25  | K0000080202   | BOLT, M8-20                   | 5   |        |                   | 101-60  | K0200100002   | WASHER, SPRING M10                 | 2   |        |                   |
| 101-26  | K1090000108   | SPRING, RECEIVING ROD B       | 1   |        |                   | 101-61  | K3198108200   | TRIM, SEAL 6100-16C-820            | 2   |        |                   |
| 101-27  | K5270002052   | RECEIVER, ROD A               | 1   |        |                   | 101-62  | K4205001540   | DECAL, CAUTION TO HOT PARTS        | 1   |        |                   |
| 101-28  | K0300016122   | PIN, COTTER M1.6-12           | 1   |        |                   | 101-63  | K4209001180   | DECAL, ARROW POINT                 | 1   |        |                   |
| 101-29  | LM282--0603BD | FITTING, MOUNTING SEAT (L)    | 1   |        |                   | 101-64  | LM285--0671Z0 | PLATE, SHIELDING WIND WITH STICKER | 1   |        |                   |
| 101-30  | MS400--0521Z2 | STAND                         | 1   |        |                   | 101-65  | LM285--0621ZD | STAY, TANK                         | 1   |        |                   |
| 101-31  |               |                               |     |        |                   | 101-66  |               |                                    |     |        |                   |
| 101-32  |               |                               |     |        |                   | 101-67  | K9310000030   | ROPS, 2 POST WITH MARK             | 1   |        |                   |
| 101-33  | K4049030000   | RUBBER, STOPPER KI-30         | 2   |        |                   | 101-68  | K4209001350   | STICKER, ROPS CERTIFICATION        | 1   |        |                   |
| 101-34  | LM285--0601AD | FRAME                         | 1   |        | -10149            | 101-69  | K4205001710   | DECAL, CAUTION TO ROPS             | 1   |        |                   |
| 101-35  | K0003080702   | BOLT, M8-70                   | 4   |        |                   | 101-70  | LM285--0653ZD | ANGLE                              | 1   |        |                   |

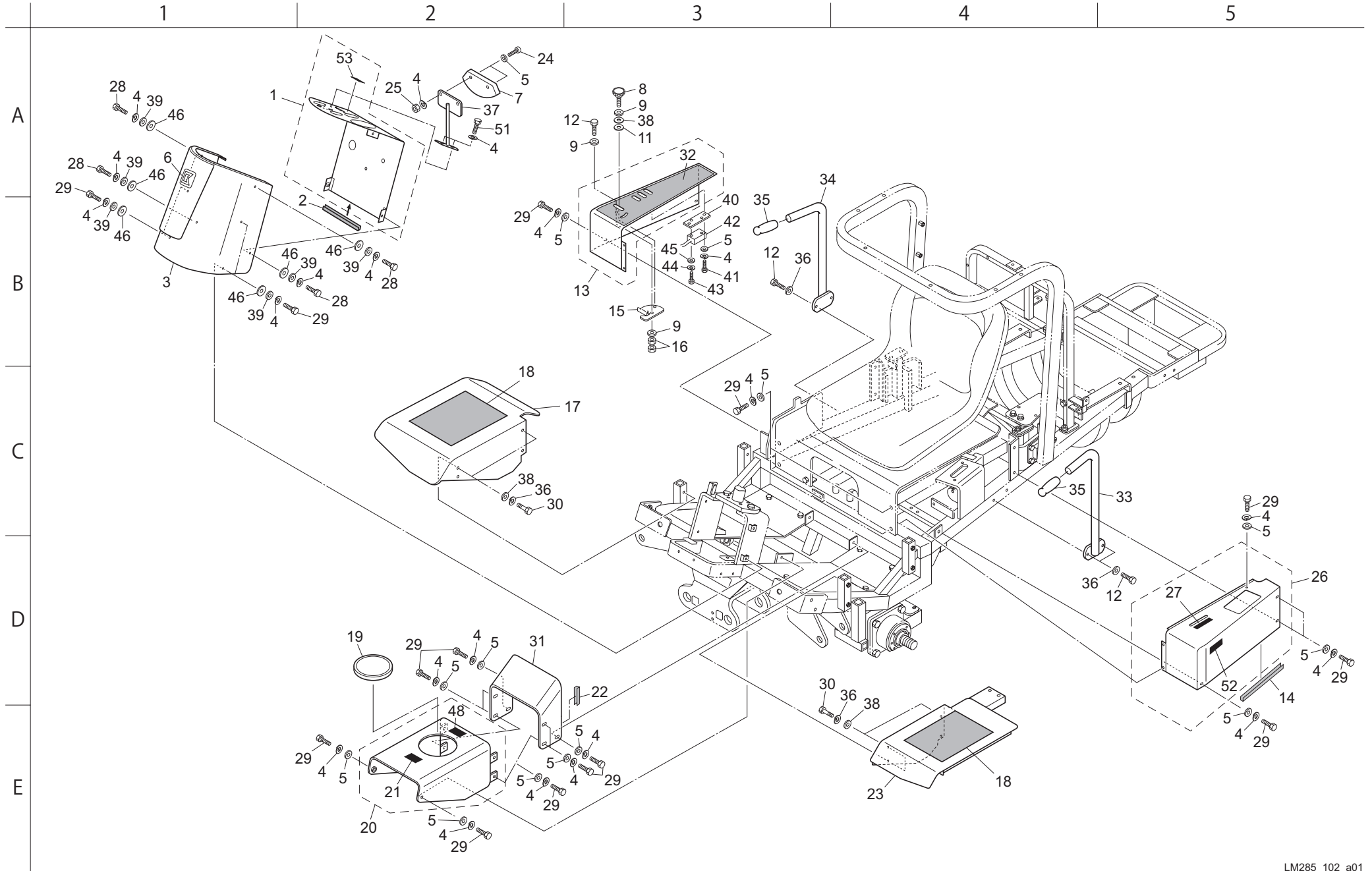
101. Frame parts



| Cat No. | Code No.      | Part name                     | Qty | Remark | SN of application |
|---------|---------------|-------------------------------|-----|--------|-------------------|
| 101-71  | LM285--0619BD | MOUNT, TANK                   | 1   |        |                   |
| 101-72  | K1701000100   | SEATBELT                      | 1   |        |                   |
| 101-73  | K1701000110   | BRACKET, FOR XB-180 SEAT BELT | 1   |        |                   |
| 101-74  | K0011120252   | BOLT, HT P1.5 M12-25          | 2   |        |                   |
| 101-75  | K0145120002   | NUT, WITH F-RING, P1.5 M12    | 2   |        |                   |
| 101-76  | K5074510262   | WASHER, SPHC 4.5-10-26        | 2   |        |                   |
| 101-77  | K5012013322   | WASHER, SPCC 2-12.8-32        | 3   |        |                   |
| 101-78  | K0021080302   | BOLT, FLANGED M8-30           | 4   |        |                   |
| 101-79  | LM285--0601CD | FRAME                         | 1   |        | 10150-            |
|         |               |                               |     |        |                   |
|         |               |                               |     |        |                   |
|         |               |                               |     |        |                   |
|         |               |                               |     |        |                   |
|         |               |                               |     |        |                   |
|         |               |                               |     |        |                   |
|         |               |                               |     |        |                   |

| Cat No. | Code No. | Part name | Qty | Remark | SN of application |
|---------|----------|-----------|-----|--------|-------------------|
|         |          |           |     |        |                   |
|         |          |           |     |        |                   |
|         |          |           |     |        |                   |
|         |          |           |     |        |                   |
|         |          |           |     |        |                   |
|         |          |           |     |        |                   |
|         |          |           |     |        |                   |
|         |          |           |     |        |                   |
|         |          |           |     |        |                   |

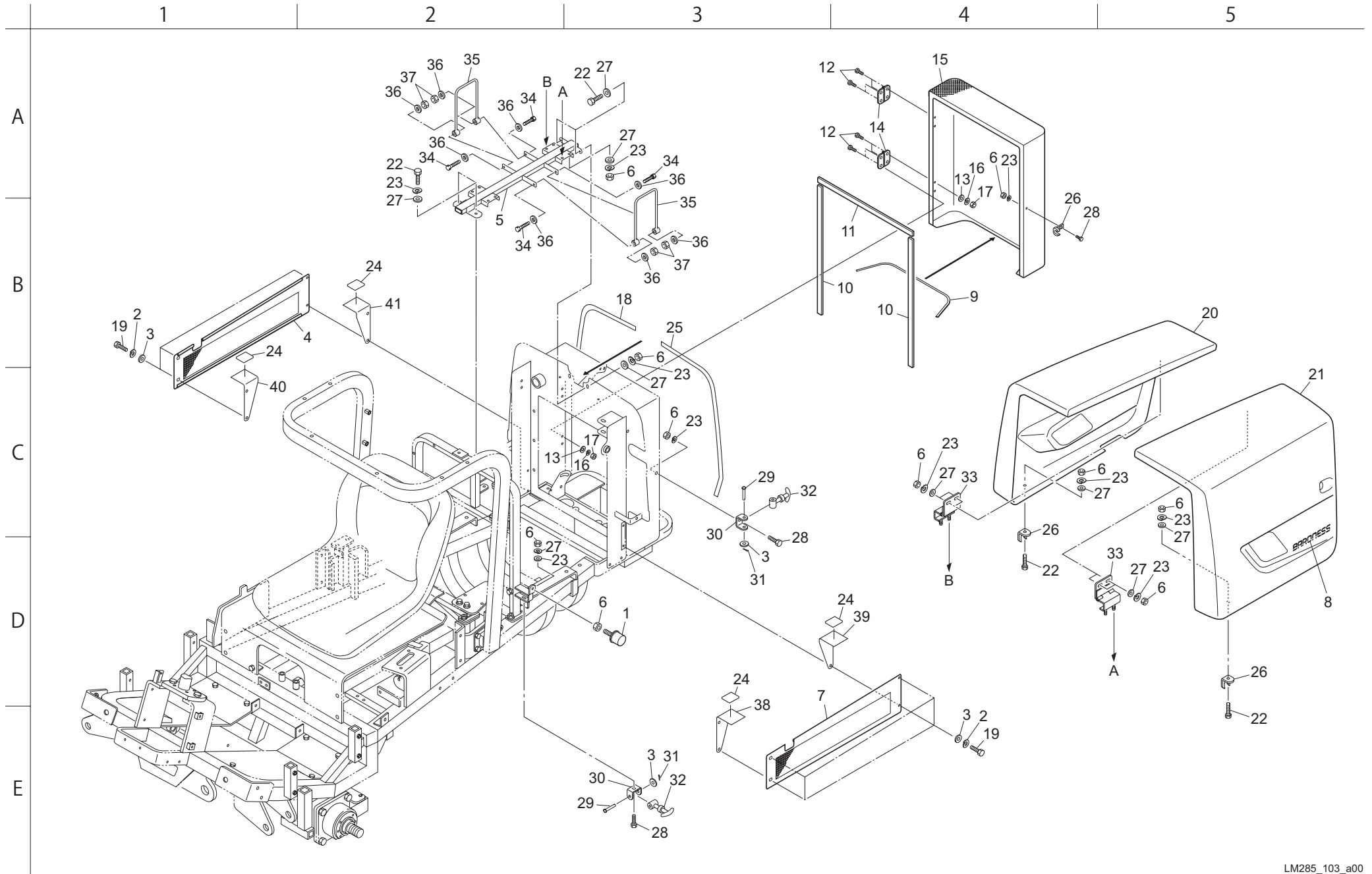
102. Cover parts (Front)





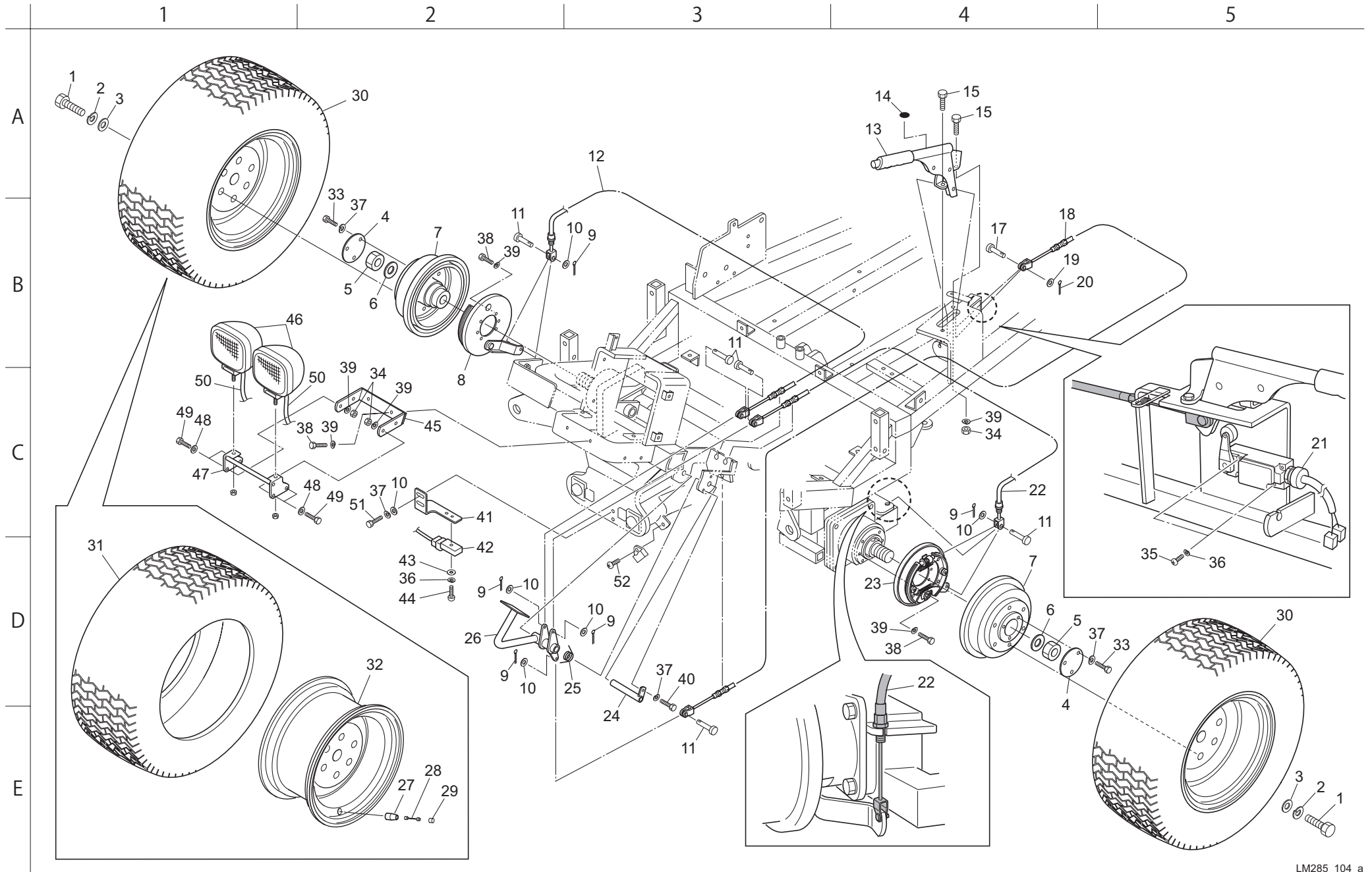
| Cat No. | Code No.      | Part name                          | Qty | Remark | SN of application | Cat No. | Code No.      | Part name                      | Qty | Remark | SN of application |
|---------|---------------|------------------------------------|-----|--------|-------------------|---------|---------------|--------------------------------|-----|--------|-------------------|
| 102-1   | LM285--0973Z0 | PANEL, WITH MARK (METER)           | 1   |        |                   | 102-36  | K0200080002   | WASHER, SPRING M8              | 12  |        |                   |
| 102-2   | K3197002550   | TRIM, AL 75-16-255                 | 1   |        |                   | 102-37  | LM285--2201ZD | STAY, GAUGE                    | 1   |        |                   |
| 102-3   | LM285--0906A0 | COVER COMP, (FRONT)                | 1   |        |                   | 102-38  | K5000080002   | WASHER, M8                     | 9   |        |                   |
| 102-4   | K0200060002   | WASHER, SPRING M6                  | 31  |        |                   | 102-39  | K5011606202   | WASHER, SPCC 1.6-6-20          | 8   |        |                   |
| 102-5   | K5000060002   | WASHER, M6                         | 21  |        |                   | 102-40  | LM285--0962Z2 | BRACKET, SWITCH                | 1   |        |                   |
| 102-6   | K4201000590   | STICKER, K                         | 1   |        |                   | 102-41  | K0000060102   | BOLT, M6-10                    | 2   |        |                   |
| 102-7   | K3654000010   | GAUGE, ANGLE                       | 1   |        |                   | 102-42  | K3670000130   | SWITCH, LIMIT AZ3725-1         | 1   |        |                   |
| 102-8   | K1320000030   | KNOB, WITH M8 4215                 | 1   |        |                   | 102-43  | K0042040252   | SCREW, + ROUND HEAD M4-25      | 2   |        |                   |
| 102-9   | K0210080002   | SPRING, CONICAL DISC L M8          | 3   |        |                   | 102-44  | K0200040002   | WASHER, SPRING M4              | 2   |        |                   |
| 102-10  |               |                                    |     |        |                   | 102-45  | K5000040002   | WASHER, M4                     | 2   |        |                   |
| 102-11  | K4015108180   | PACKING, FIBER 1-8.5-18            | 1   |        |                   | 102-46  | K4030306200   | RUBBER, WASHER 3-6.5-20        | 8   |        |                   |
| 102-12  | K0000080202   | BOLT, M8-20                        | 5   |        |                   | 102-47  |               |                                |     |        |                   |
| 102-13  | LM285--0972Z0 | COVER COMP, FRONT (R)              | 1   |        |                   | 102a-48 | K4209001340   | DECAL, CAUTION "DO NOT STEP"   | 1   |        |                   |
| 102-14  | K3197002000   | TRIM, AL 75-16-200                 | 1   |        |                   | 102-49  |               |                                |     |        |                   |
| 102-15  | LM285--0961ZD | STOPPER                            | 1   |        |                   | 102-50  |               |                                |     |        |                   |
| 102-16  | K0100080002   | NUT, M8                            | 2   |        |                   | 102-51  | K0060060120   | BOLT, SUS WITH HEX. HOLE M6-12 | 2   |        |                   |
| 102-17  | LM282--7504ZR | COVER, WHEEL (R)                   | 1   |        |                   | 102-52  | K4205001540   | DECAL, CAUTION TO HOT PARTS    | 1   |        |                   |
| 102-18  | LM318--0965Z0 | SHEET, SLIP RESISTANCE             | 2   |        |                   | 102-53  | K4205001950   | DECAL, CAUTION EXHAUST GAS     | 1   |        |                   |
| 102-19  | K0900301200   | GROMMET, W/SEALING C30SG120A       | 1   |        |                   |         |               |                                |     |        |                   |
| 102a-20 | LM285--0968Z0 | COVER, WITH STICKER (CENTER FRONT) | 1   |        |                   |         |               |                                |     |        |                   |
| 102-21  | K4209000980   | DECAL, HYDRAULIC OIL               | 1   |        |                   |         |               |                                |     |        |                   |
| 102-22  | K3197000500   | TRIM, AL 75-16-50                  | 1   |        |                   |         |               |                                |     |        |                   |
| 102-23  | LM285--0951ZR | COVER, WHEEL (L)                   | 1   |        |                   |         |               |                                |     |        |                   |
| 102-24  | K0042060252   | SCREW, + ROUND HEAD M6-25          | 2   |        |                   |         |               |                                |     |        |                   |
| 102-25  | K0100060002   | NUT, M6                            | 2   |        |                   |         |               |                                |     |        |                   |
| 102-26  | LM285--0971Z0 | COVER COMP, FRONT (L)              | 1   |        |                   |         |               |                                |     |        |                   |
| 102-27  | K4203001220   | DECAL, ENGINE ROTATION             | 1   |        |                   |         |               |                                |     |        |                   |
| 102-28  | K0000060202   | BOLT, M6-20                        | 4   |        |                   |         |               |                                |     |        |                   |
| 102-29  | K0000060152   | BOLT, M6-15                        | 23  |        |                   |         |               |                                |     |        |                   |
| 102-30  | K0000080502   | BOLT, M8-50                        | 8   |        |                   |         |               |                                |     |        |                   |
| 102-31  | LM318--0959ZD | COVER, CENTER (REAR)               | 1   |        |                   |         |               |                                |     |        |                   |
| 102-32  | LM285--0967Z0 | DECAL, OPERATING LEVER             | 1   |        |                   |         |               |                                |     |        |                   |
| 102-33  | LM285--0651ZD | HAND REST, (L)                     | 1   |        |                   |         |               |                                |     |        |                   |
| 102-34  | LM285--0652ZD | HAND REST, (R)                     | 1   |        |                   |         |               |                                |     |        |                   |
| 102-35  | K1300000020   | GRIP, RUBBER HANDLE 25.4           | 2   |        |                   |         |               |                                |     |        |                   |

103. Cover parts (Rear)



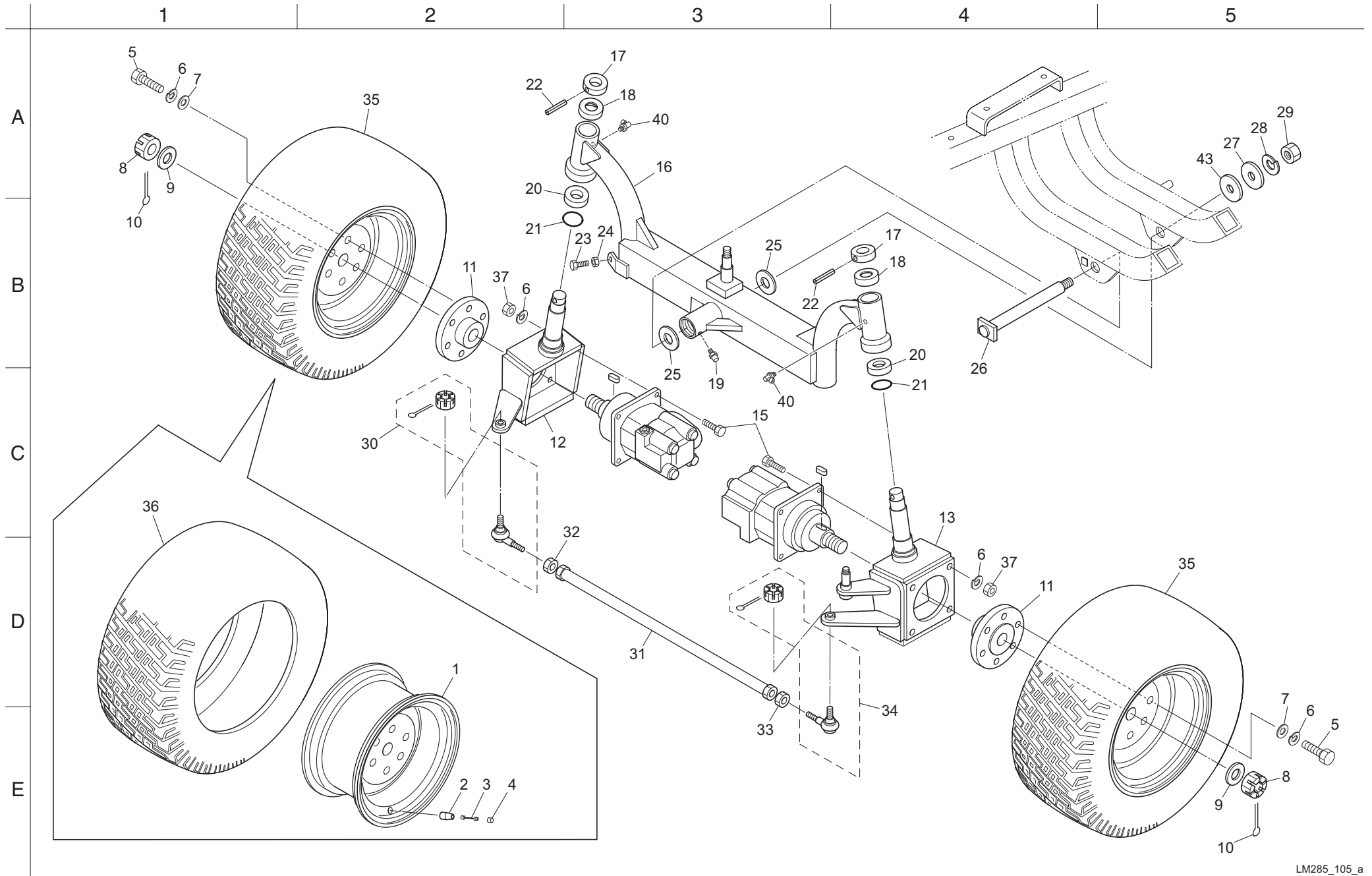
| Cat No. | Code No.      | Part name                     | Qty | Remark | SN of application | Cat No. | Code No.      | Part name             | Qty | Remark | SN of application |
|---------|---------------|-------------------------------|-----|--------|-------------------|---------|---------------|-----------------------|-----|--------|-------------------|
| 103-1   | K4049030000   | RUBBER, STOPPER KI-30         | 2   |        |                   | 103-36  | K5000100002   | WASHER, M10           | 8   |        |                   |
| 103-2   | K0200060002   | WASHER, SPRING M6             | 8   |        |                   | 103-37  | K0144100002   | NUT, WITH F-RING, M10 | 4   |        |                   |
| 103-3   | K5000060002   | WASHER, M6                    | 11  |        |                   | 103-38  | LM285--0965ZD | STAY, (L FRONT)       | 1   |        |                   |
| 103-4   | LM285--0939ZD | COVER, SIDE (R)               | 1   |        |                   | 103-39  | LM285--0963ZD | STAY, (L REAR)        | 1   |        |                   |
| 103-5   | LM285--0660ZD | FITTING, HOOD                 | 1   |        |                   | 103-40  | LM285--0966ZD | STAY, (R FRONT)       | 1   |        |                   |
| 103-6   | K0100080002   | NUT, M8                       | 26  |        |                   | 103-41  | LM285--0964ZD | STAY, (R REAR)        | 1   |        |                   |
| 103-7   | LM285--0938ZD | COVER, SIDE (L)               | 1   |        |                   |         |               |                       |     |        |                   |
| 103-8   | K4201000330   | STICKER, BARONESS 240S        | 2   |        |                   |         |               |                       |     |        |                   |
| 103-9   | K3197005700   | TRIM, AL 75-16-570            | 1   |        |                   |         |               |                       |     |        |                   |
| 103-10  | K4228000090   | SPONGE, RUBBER 5-15-590       | 2   |        |                   |         |               |                       |     |        |                   |
| 103-11  | K4228000100   | SPONGE, RUBBER 5-15-500       | 1   |        |                   |         |               |                       |     |        |                   |
| 103-12  | K0000050122   | BOLT, M5-12                   | 8   |        |                   |         |               |                       |     |        |                   |
| 103-13  | K5000050002   | WASHER, M5                    | 8   |        |                   |         |               |                       |     |        |                   |
| 103-14  | K4520000210   | HINGE, RESIN WITH HOLE 5.2-75 | 2   |        |                   |         |               |                       |     |        |                   |
| 103-15  | LM285--0940AD | COVER, RADIATOR               | 1   |        |                   |         |               |                       |     |        |                   |
| 103-16  | K0200050002   | WASHER, SPRING M5             | 8   |        |                   |         |               |                       |     |        |                   |
| 103-17  | K0100050002   | NUT, M5                       | 8   |        |                   |         |               |                       |     |        |                   |
| 103-18  | K3198305200   | TRIM, SEAL 6100-32C-520       | 1   |        |                   |         |               |                       |     |        |                   |
| 103-19  | K0000060152   | BOLT, M6-15                   | 8   |        |                   |         |               |                       |     |        |                   |
| 103-20  | LM285--0905A0 | HOOD COMP, (R)                | 1   |        |                   |         |               |                       |     |        |                   |
| 103a-21 | LM285--0904Z0 | HOOD COMP, (L)                | 1   |        |                   |         |               |                       |     |        |                   |
| 103-22  | K0000080202   | BOLT, M8-20                   | 6   |        |                   |         |               |                       |     |        |                   |
| 103-23  | K0200080002   | WASHER, SPRING M8             | 26  |        |                   |         |               |                       |     |        |                   |
| 103-24  | K4033000430   | RUBBER, PLATE 1-3045          | 4   |        |                   |         |               |                       |     |        |                   |
| 103-25  | K3198304400   | TRIM, SEAL 6100-32C-440       | 1   |        |                   |         |               |                       |     |        |                   |
| 103-26  | K5270002352   | RECEIVER, RUBBER HOOK         | 3   |        |                   |         |               |                       |     |        |                   |
| 103-27  | K5000080002   | WASHER, M8                    | 24  |        |                   |         |               |                       |     |        |                   |
| 103-28  | K0000080152   | BOLT, M8-15                   | 4   |        |                   |         |               |                       |     |        |                   |
| 103-29  | K6030060352   | PIN, FLAT HEAD M6-35          | 3   |        |                   |         |               |                       |     |        |                   |
| 103-30  | K5200000102   | BRACKET, RUBBER HOOK          | 3   |        |                   |         |               |                       |     |        |                   |
| 103-31  | K0300016202   | PIN, COTTER M1.6-20           | 3   |        |                   |         |               |                       |     |        |                   |
| 103-32  | K1520000090   | HOOK, RUBBER SMALL            | 3   |        |                   |         |               |                       |     |        |                   |
| 103-33  | GM2800-0920Z0 | HINGE ASSY                    | 4   |        |                   |         |               |                       |     |        |                   |
| 103-34  | K0000100402   | BOLT, M10-40                  | 4   |        |                   |         |               |                       |     |        |                   |
| 103-35  | GM1500-0932B2 | STAY, FOR HOOD                | 2   |        |                   |         |               |                       |     |        |                   |

104. Front wheel parts



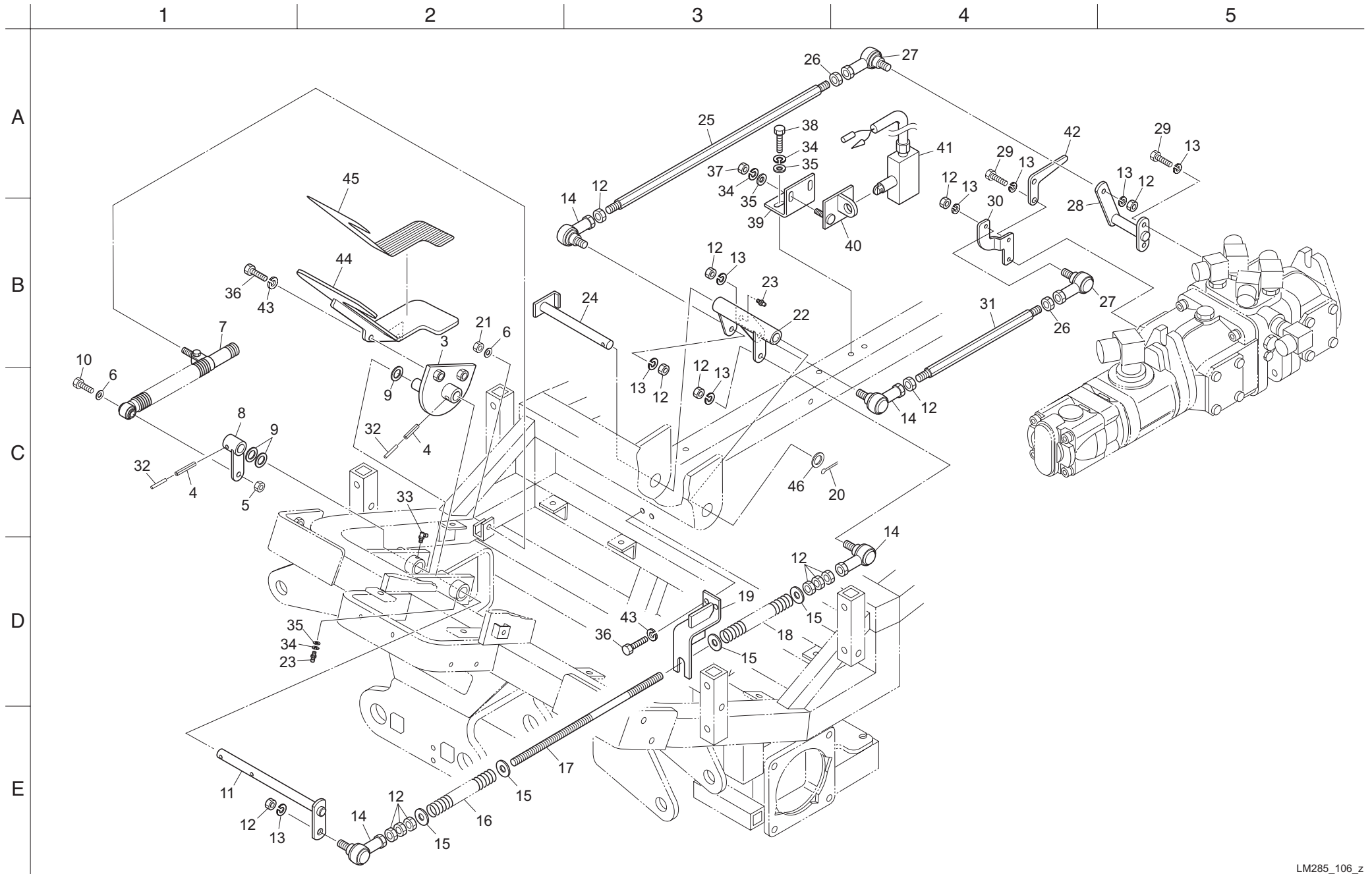
| Cat No. | Code No.      | Part name                   | Qty | Remark | SN of application | Cat No. | Code No.      | Part name                         | Qty | Remark | SN of application |
|---------|---------------|-----------------------------|-----|--------|-------------------|---------|---------------|-----------------------------------|-----|--------|-------------------|
| 104-1   | K0011120302   | BOLT, HT P1.5 M12-30        | 12  |        |                   | 104-36  | K0200050002   | WASHER, SPRING M5                 | 3   |        |                   |
| 104-2   | K0200120002   | WASHER, SPRING M12          | 12  |        |                   | 104-37  | K0200060002   | WASHER, SPRING M6                 | 9   |        |                   |
| 104-3   | K5074512252   | WASHER, SPHC 4.5-12-25      | 12  |        |                   | 104-38  | K0000080152   | BOLT, M8-15                       | 14  |        |                   |
| 104-4   | K517000012D   | PLATE, SPCC BOLT COVER      | 2   |        |                   | 104-39  | K0200080002   | WASHER, SPRING M8                 | 20  |        |                   |
| 104-5   | K0160000492   | NUT, SPECIAL P1.5 M24       | 2   |        |                   | 104-40  | K0000060202   | BOLT, M6-20                       | 1   |        |                   |
| 104-6   | K0214240001   | WASHER, DISK SPRING L M24-2 | 2   |        |                   | 104-41  | LM285--0207ZD | PLATE, MOUNTING SENSOR            | 1   |        |                   |
| 104-7   | K6909000232   | MOUNT, WHEEL                | 2   |        |                   | 104-42  | K3720000140   | SENSOR, PROXIMITY SWITCH NC       | 1   |        |                   |
| 104-8   | K1720000210   | BRAKE ASSY, WITH LEVER (R)  | 1   |        |                   | 104-43  | K5000050002   | WASHER, M5                        | 1   |        |                   |
| 104-9   | K0300016202   | PIN, COTTER M1.6-20         | 5   |        |                   | 104-44  | K0000050202   | BOLT, M5-20                       | 1   |        |                   |
| 104-10  | K5000060002   | WASHER, M6                  | 7   |        |                   | 104-45  | LM285--1102ZD | STAY, LAMP                        | 1   |        |                   |
| 104-11  | K6031060172   | PIN, FLAT-HEAD HT M6-17     | 5   |        |                   | 104-46  | K3640000070   | LAMP, WORKING WL-B220A            | 2   |        |                   |
| 104-12  | K1120125000   | WIRE, BRAKE 1250            | 1   |        |                   | 104-47  | LM2700-1701ZD | BRACKET, LAMP                     | 1   |        |                   |
| 104-13  | K1724000020   | LEVER ASSY, SIDE BRAKE      | 1   |        |                   | 104-48  | K5000080002   | WASHER, M8                        | 4   |        |                   |
| 104-14  | K4209001200   | DECAL, BRAKE                | 1   |        |                   | 104-49  | K0000080252   | BOLT, M8-25                       | 4   |        |                   |
| 104-15  | K0000080202   | BOLT, M8-20                 | 2   |        |                   | 104-50  | K3194001000   | TUBE, CORRUGATED 7-100            | 2   |        |                   |
| 104-16  |               |                             |     |        |                   | 104-51  | K0000060152   | BOLT, M6-15                       | 2   |        |                   |
| 104-17  | K6030120242   | PIN, FLAT HEAD M12-24       | 1   |        |                   | 104-52  | K0048050102   | SCREW, + ROUND HEAD WITH SW M5-10 | 1   |        |                   |
| 104-18  | K1120141010   | WIRE, BRAKE 1410            | 1   |        |                   | 104a-53 |               |                                   |     |        |                   |
| 104-19  | K5000120002   | WASHER, M12                 | 1   |        |                   | 104a-54 |               |                                   |     |        |                   |
| 104-20  | K0300020202   | PIN, COTTER M2-20           | 1   |        |                   | 104a-55 |               |                                   |     |        |                   |
| 104-21  | K3670000120   | SWITCH, LIMIT D4A-4717N     | 1   |        |                   |         |               |                                   |     |        |                   |
| 104-22  | K1120107000   | WIRE, BRAKE 1070            | 1   |        |                   |         |               |                                   |     |        |                   |
| 104-23  | K1720000200   | BRAKE ASSY, WITH LEVER (L)  | 1   |        |                   |         |               |                                   |     |        |                   |
| 104-24  | LM282--0802Z2 | SHAFT, PEDAL                | 1   |        |                   |         |               |                                   |     |        |                   |
| 104-25  | K1050000068   | SPRING, TORSION             | 1   |        |                   |         |               |                                   |     |        |                   |
| 104-26  | LM282--0817Z3 | PEDAL, BRAKE                | 1   |        |                   |         |               |                                   |     |        |                   |
| 104-27  | K2097000010   | VALVE, RIM TR413            | 2   |        |                   |         |               |                                   |     |        |                   |
| 104-28  | K2092000020   | CORE, VALVE NO.9000         | 2   |        |                   |         |               |                                   |     |        |                   |
| 104-29  | K2093000010   | CAP, VALVE                  | 2   |        |                   |         |               |                                   |     |        |                   |
| 104-30  | K2040000600   | TIRE ASSY, M40B-23*1050-12  | 2   | TYPE R |                   |         |               |                                   |     |        |                   |
| 104-31  | K2041000360   | TIRE, M40B 23*1050-12       | 2   | TYPE R |                   |         |               |                                   |     |        |                   |
| 104-32  | K209000081L   | WHEEL, 8.5JA*12WDC          | 2   | TYPE R |                   |         |               |                                   |     |        |                   |
| 104-33  | K0000060102   | BOLT, M6-10                 | 6   |        |                   |         |               |                                   |     |        |                   |
| 104-34  | K0100080002   | NUT, M8                     | 6   |        |                   |         |               |                                   |     |        |                   |
| 104-35  | K0042050402   | SCREW, + ROUND HEAD M5-40   | 2   |        |                   |         |               |                                   |     |        |                   |

105. Rear wheel parts



| Cat No. | Code No.      | Part name                              | Qty | Remark | SN of application | Cat No. | Code No.    | Part name              | Qty | Remark | SN of application |
|---------|---------------|--|-----|--------|-------------------|---------|-------------|------------------------|-----|--------|-------------------|
| 105-1   | K209000054L   | WHEEL, 7JA*12WDC                       | 2   |        |                   | 105-36  | K2041000370 | TIRE, M40B 23*850-12   | 2   | TYPE R |                   |
| 105-2   | K2097000010   | VALVE, RIM TR413                       | 2   |        |                   | 105-37  | K0100120002 | NUT, M12               | 8   |        |                   |
| 105-3   | K2092000010   | CORE, VALVE NO.8000                    | 2   |        |                   | 105-38  |             |                        |     |        |                   |
| 105-4   | K2093000010   | CAP, VALVE                             | 2   |        |                   | 105-39  |             |                        |     |        |                   |
| 105-5   | K0011120302   | BOLT, HT P1.5 M12-30                   | 12  |        |                   | 105-40  | K1440000020 | GREASE NIPPLE, C TYPE  | 2   |        |                   |
| 105-6   | K0200120002   | WASHER, SPRING M12                     | 20  |        |                   | 105a-41 |             |                        |     |        |                   |
| 105-7   | K5074512252   | WASHER, SPHC 4.5-12-25                 | 12  |        |                   | 105a-42 |             |                        |     |        |                   |
| 105-8   | K0138240002   | NUT, HIGH SLOTTED M24 PITCH 1.5        | 2   |        |                   | 105-43  | K5051030420 | WASHER, C5191P 1-30-42 | 1   |        |                   |
| 105-9   | K5000240002   | WASHER, M24                            | 2   |        |                   |         |             |                        |     |        |                   |
| 105-10  | K0300050452   | PIN, COTTER M5-45                      | 2   |        |                   |         |             |                        |     |        |                   |
| 105-11  | LM318--0304AD | MOUNT, REAR WHEEL 80                   | 2   |        |                   |         |             |                        |     |        |                   |
| 105-12  | LM318--0302DD | KING PIN, (R)                          | 1   |        |                   |         |             |                        |     |        |                   |
| 105-13  | LM318--0303DD | KING PIN, (L)                          | 1   |        |                   |         |             |                        |     |        |                   |
| 105-14  |               |  |     |        |                   |         |             |                        |     |        |                   |
| 105-15  | K0000120452   | BOLT, M12-45                           | 8   |        |                   |         |             |                        |     |        |                   |
| 105-16  | LM318--0301DD | PIVOT                                  | 1   |        |                   |         |             |                        |     |        |                   |
| 105-17  | K6213000113   | COLLAR, WITH HOLE M25-50-20            | 2   |        |                   |         |             |                        |     |        |                   |
| 105-18  | K6204000383   | CAP                                    | 2   |        |                   |         |             |                        |     |        |                   |
| 105-19  | K1440000010   | GREASE NIPPLE, A TYPE                  | 1   |        |                   |         |             |                        |     |        |                   |
| 105-20  | K0640511070   | BEARING, BALL THRUST 51107             | 2   |        |                   |         |             |                        |     |        |                   |
| 105-21  | K0880048000   | O-RING, P48                            | 2   |        |                   |         |             |                        |     |        |                   |
| 105-22  | K0320080501   | PIN, SPRING M8-50                      | 2   |        |                   |         |             |                        |     |        |                   |
| 105-23  | K0000100302   | BOLT, M10-30                           | 1   |        |                   |         |             |                        |     |        |                   |
| 105-24  | K0100100002   | NUT, M10                               | 1   |        |                   |         |             |                        |     |        |                   |
| 105-25  | K5051030500   | WASHER, C5191P 1-30-50                 | 2   |        |                   |         |             |                        |     |        |                   |
| 105-26  | K7147000198   | PIN, FOR PIVOT                         | 1   |        |                   |         |             |                        |     |        |                   |
| 105-27  | K5073216352   | WASHER, SPHC 3.2-16-35                 | 1   |        |                   |         |             |                        |     |        |                   |
| 105-28  | K0200160002   | WASHER, SPRING M16                     | 1   |        |                   |         |             |                        |     |        |                   |
| 105-29  | K0100160002   | NUT, M16                               | 1   |        |                   |         |             |                        |     |        |                   |
| 105-30  | K1610000020   | TIE-ROD END ASSY, MALE (R)             | 1   |        |                   |         |             |                        |     |        |                   |
| 105-31  | LM318--0305ZD | ROD, TIE                               | 1   |        |                   |         |             |                        |     |        |                   |
| 105-32  | K0160000192   | NUT, SPECIAL P1.5 M17                  | 1   |        |                   |         |             |                        |     |        |                   |
| 105-33  | K0160000202   | NUT, LEFT-HANDED SPECIAL P1.5 M17      | 1   |        |                   |         |             |                        |     |        |                   |
| 105-34  | K1611000020   | TIE-ROD END ASSY, LEFT-HANDED MALE (L) | 1   |        |                   |         |             |                        |     |        |                   |
| 105-35  | K2040000610   | TIRE ASSY, M40B-23*850-12              | 2   | TYPE R |                   |         |             |                        |     |        |                   |

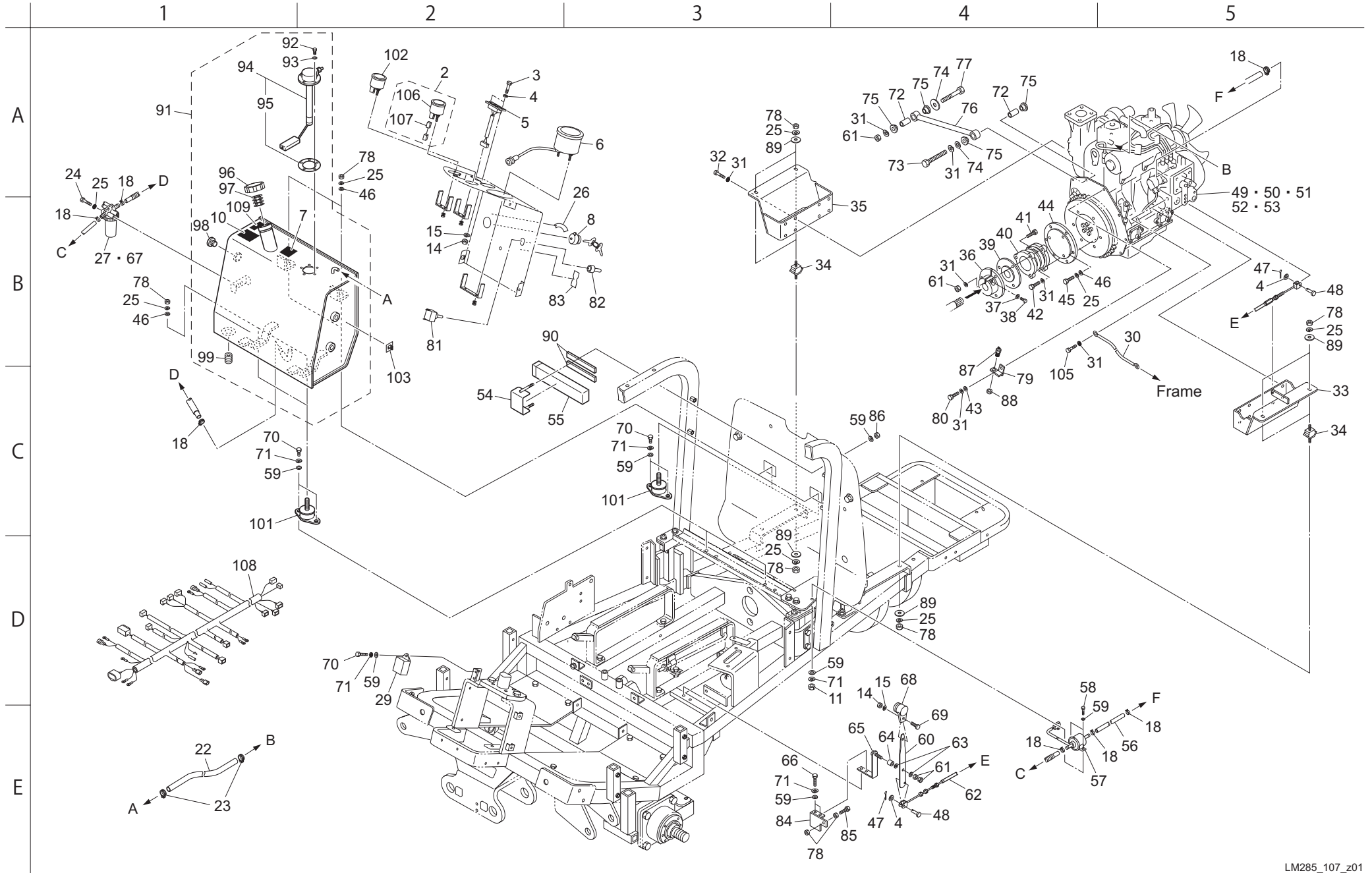
106. Pedal parts





| Cat No. | Code No.      | Part name                     | Qty | Remark         | SN of application | Cat No. | Code No.      | Part name                | Qty | Remark | SN of application |
|---------|---------------|-------------------------------|-----|----------------|-------------------|---------|---------------|--------------------------|-----|--------|-------------------|
| 106-1   |               |                               |     |                |                   | 106-36  | K0000080202   | BOLT, M8-20              | 4   |        |                   |
| 106-2   |               |                               |     |                |                   | 106-37  | K0100060002   | NUT, M6                  | 2   |        |                   |
| 106-3   | LM318--0802ZD | PEDAL, (UNDER)                | 1   |                |                   | 106-38  | K0000060152   | BOLT, M6-15              | 2   |        |                   |
| 106-4   | K0320050281   | PIN, SPRING M5-28             | 2   |                |                   | 106-39  | LM282--7515ZD | BASE, MOUNTING SWITCH    | 1   |        |                   |
| 106-5   | K0100080002   | NUT, M8                       | 1   |                |                   | 106-40  | LM282--7516ZD | FITTING, MOUNTING SWITCH | 1   |        |                   |
| 106-6   | K5000080002   | WASHER, M8                    | 2   |                |                   | 106-41  | K3671000050   | SWITCH, LIMIT SLI-A      | 1   |        |                   |
| 106-7   | K3380000010   | DAMPER, FOR LEVER             | 1   |                |                   | 106-42  | LM282--7514A2 | LEVER, NEUTRALIZING      | 1   |        |                   |
| 106-8   | LM318--0813B2 | LEVER, DAMPER                 | 1   |                |                   | 106-43  | K0200080002   | WASHER, SPRING M8        | 4   |        |                   |
| 106-9   | K5051016240   | WASHER, C5191P 1-16-24        | 3~4 | for adjustment |                   | 106-44  | LM285--0801ZD | PEDAL                    | 1   |        |                   |
| 106-10  | K0000080352   | BOLT, M8-35                   | 1   |                |                   | 106-45  | LM285--0802Z0 | RUBBER, FOR PEDAL        | 1   |        |                   |
| 106-11  | LM318--0803Z2 | SHAFT, PEDAL                  | 1   |                |                   | 106-46  | K5011016222   | WASHER, SPCC 1-16-22     | 1   |        |                   |
| 106-12  | K0100100002   | NUT, M10                      | 14  |                |                   |         |               |                          |     |        |                   |
| 106-13  | K0200100002   | WASHER, SPRING M10            | 10  |                |                   |         |               |                          |     |        |                   |
| 106-14  | K1604100000   | JOINT, SPHERICAL LHSA10       | 4   |                |                   |         |               |                          |     |        |                   |
| 106-15  | K5012311242   | WASHER, SPCC 2.3-11-24        | 4   |                |                   |         |               |                          |     |        |                   |
| 106-16  | LM318--0815Z8 | SPRING, COMPRESSION M3-21-105 | 1   |                |                   |         |               |                          |     |        |                   |
| 106-17  | LM318--0805Z2 | ROD                           | 1   |                |                   |         |               |                          |     |        |                   |
| 106-18  | LM318--0816Z8 | SPRING, COMPRESSION M3-21-80  | 1   |                |                   |         |               |                          |     |        |                   |
| 106-19  | LM318--0808ZD | BRACKET, NEUTRAL AXIS         | 1   |                |                   |         |               |                          |     |        |                   |
| 106-20  | K0300040502   | PIN, COTTER M4-50             | 1   |                |                   |         |               |                          |     |        |                   |
| 106-21  | K0144080002   | NUT, WITH F-RING, M8          | 1   |                |                   |         |               |                          |     |        |                   |
| 106-22  | LM318--0804Z2 | LEVER, IDLE                   | 1   |                |                   |         |               |                          |     |        |                   |
| 106-23  | K1440000010   | GREASE NIPPLE, A TYPE         | 2   |                |                   |         |               |                          |     |        |                   |
| 106-24  | LM318--0811A2 | SHAFT, IDLE LEVER             | 1   |                |                   |         |               |                          |     |        |                   |
| 106-25  | LM318--0807Z2 | ROD                           | 1   |                |                   |         |               |                          |     |        |                   |
| 106-26  | K0180100002   | NUT, LEFT-HANDED M10          | 2   |                |                   |         |               |                          |     |        |                   |
| 106-27  | K16041000L0   | JOINT, SPHERICAL LHSA10L      | 2   |                |                   |         |               |                          |     |        |                   |
| 106-28  | LM318--0809Z2 | LEVER, SHIFT                  | 1   |                |                   |         |               |                          |     |        |                   |
| 106-29  | K0011100252   | BOLT, HT P1.25 M10-25         | 4   |                |                   |         |               |                          |     |        |                   |
| 106-30  | LM318--0810Z2 | LEVER, SHIFT                  | 1   |                |                   |         |               |                          |     |        |                   |
| 106-31  | LM318--0806Z2 | ROD                           | 1   |                |                   |         |               |                          |     |        |                   |
| 106-32  | K0320030251   | PIN, SPRING M3-25             | 2   |                |                   |         |               |                          |     |        |                   |
| 106-33  | K1440000020   | GREASE NIPPLE, C TYPE         | 1   |                |                   |         |               |                          |     |        |                   |
| 106-34  | K0200060002   | WASHER, SPRING M6             | 5   |                |                   |         |               |                          |     |        |                   |
| 106-35  | K5000060002   | WASHER, M6                    | 5   |                |                   |         |               |                          |     |        |                   |

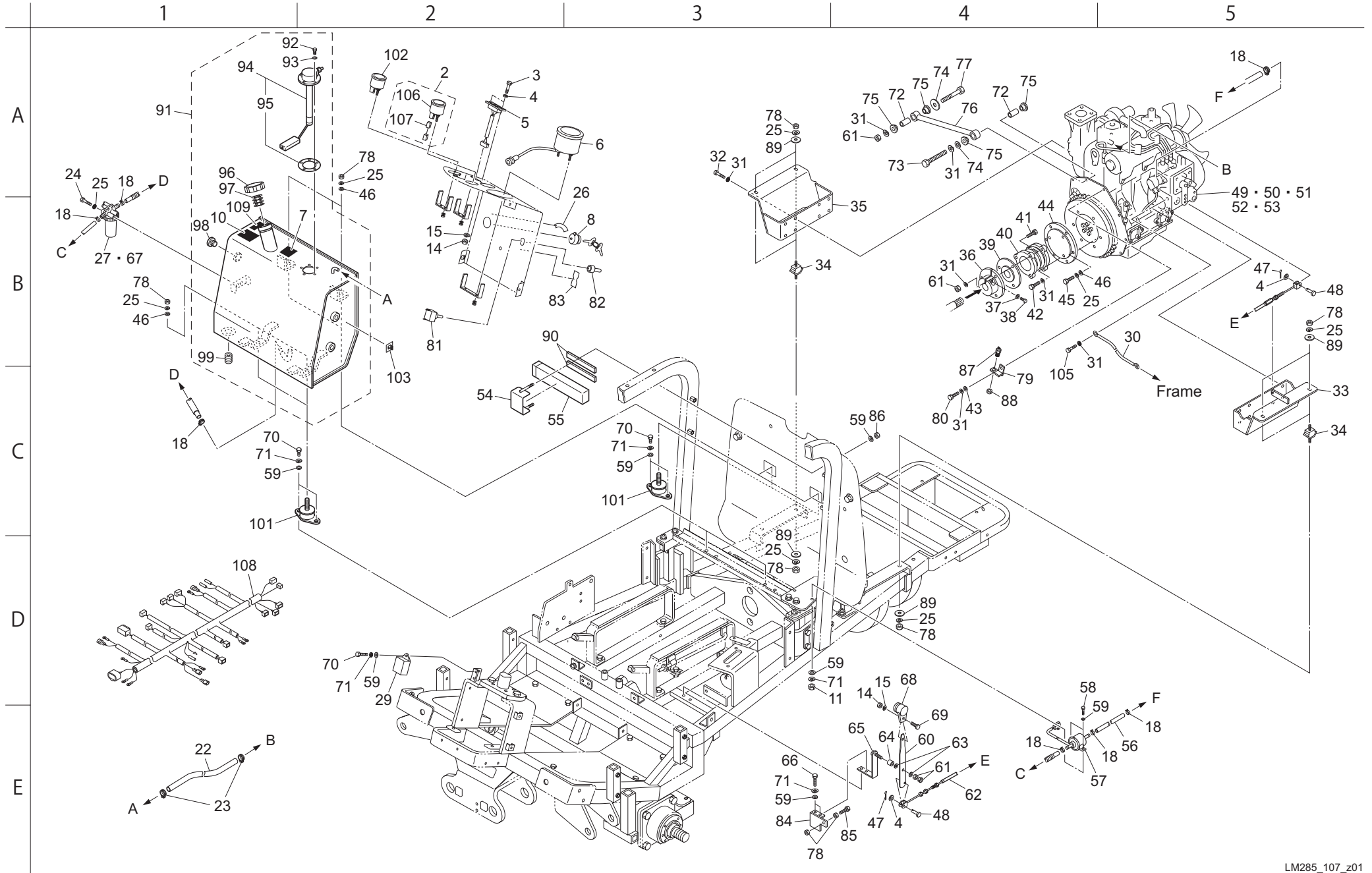
107. Engine parts



| Cat No. | Code No.       | Part name                         | Qty | Remark | SN of application |
|---------|----------------|-----------------------------------|-----|--------|-------------------|
| 107-1   |                |                                   |     |        |                   |
| 107-2   | K9400000050    | GAUGE ASSY, WATER TEMPERATURE     | 1   |        |                   |
| 107-3   | K0042050122    | SCREW, + ROUND HEAD M5-12         | 2   |        |                   |
| 107-4   | K5000050002    | WASHER, M5                        | 4   |        |                   |
| 107-5   | K3641000040    | LAMP, PILOT                       | 1   |        |                   |
| 107-6   | PF15886-8301-1 | HOUR METER ASSY                   | 1   |        |                   |
| 107-7   | K4209001330    | DECAL, DIESEL FUEL INDICATION     | 1   |        |                   |
| 107-8   | PF15248-6359-0 | SWITCH ASSY, STARTER              | 1   |        |                   |
| 107-9   |                |                                   |     |        |                   |
| 107-10  | K4209001000    | DECAL, DIESEL FUEL REFUELING HOLE | 1   |        |                   |
| 107-11  | K0100060002    | NUT, M6                           | 2   |        |                   |
| 107-12  |                |                                   |     |        |                   |
| 107-13  |                |                                   |     |        |                   |
| 107-14  | K0100050002    | NUT, M5                           | 3   |        |                   |
| 107-15  | K0200050002    | WASHER, SPRING M5                 | 3   |        |                   |
| 107-16  |                |                                   |     |        |                   |
| 107-17  |                |                                   |     |        |                   |
| 107-18  | PF14911-4275-1 | CLIP, PIPE                        | 6   |        |                   |
| 107-19  |                |                                   |     |        |                   |
| 107-20  |                |                                   |     |        |                   |
| 107-21  |                |                                   |     |        |                   |
| 107-22  | PF09661-4210-0 | TUBE, FUEL                        | 1   |        |                   |
| 107-23  | PF14971-4275-1 | CLIP, PIPE                        | 2   |        |                   |
| 107-24  | K0000080602    | BOLT, M8-60                       | 1   |        |                   |
| 107-25  | K0200080002    | WASHER, SPRING M8                 | 13  |        |                   |
| 107-26  | K4209001190    | DECAL, KEY SWITCH                 | 1   |        |                   |
| 107-27  | PF1G313-4301-0 | FILTER ASSY, FUEL                 | 1   |        |                   |
| 107-28  |                |                                   |     |        |                   |
| 107-29  | PF15694-6599-0 | TIMER, GLOW LAMP                  | 1   |        |                   |
| 107-30  | K3611000430    | WIRE, TO EARTH 500                | 1   |        |                   |
| 107-31  | K0200100002    | WASHER, SPRING M10                | 23  |        |                   |
| 107-32  | K0017100252    | BOLT, SMALL HT P1.25 M10-25       | 16  |        |                   |
| 107-33  | LM285--0516AD  | BASE, ENGINE (L)                  | 1   |        |                   |
| 107-34  | K4040000150    | RUBBER, VIBRATION PROOF EC4001    | 4   |        |                   |
| 107-35  | LM285--0517AD  | BASE, ENGINE (R)                  | 1   |        |                   |

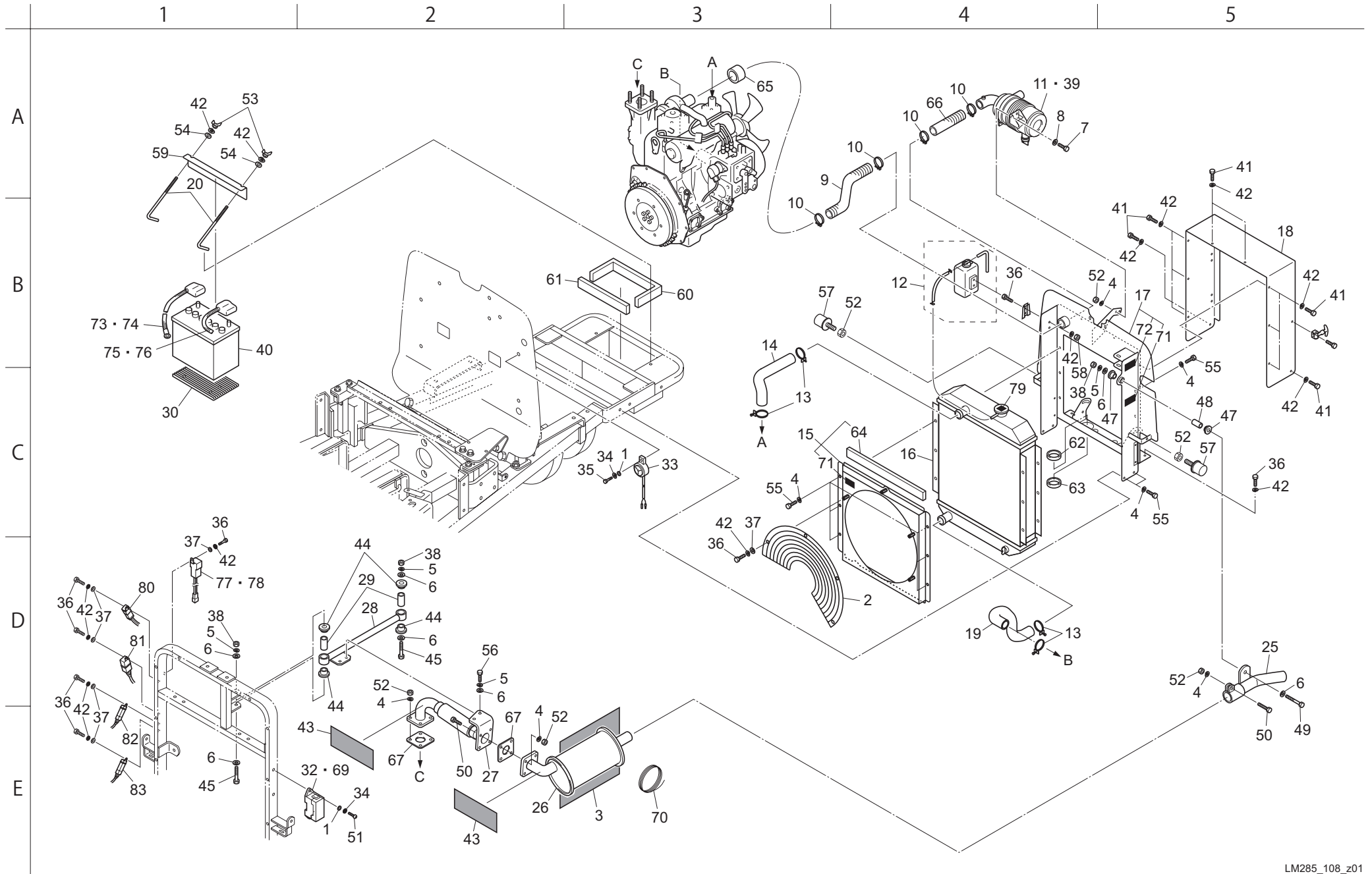
| Cat No. | Code No.       | Part name                    | Qty | Remark | SN of application |
|---------|----------------|------------------------------|-----|--------|-------------------|
| 107-36  | LM282--0541Z2  | DISK, DRIVING PUMP SIDE      | 1   |        |                   |
| 107-37  | K0215100002    | WASHER, DISK SPRING H M10-2  | 1   |        |                   |
| 107-38  | K0024100351    | BOLT, WITH HEX. HOLE M10-35  | 1   |        |                   |
| 107-39  | K6204000562    | SPACER, 118                  | 1   |        |                   |
| 107-40  | K1620000120    | JOINT, BC75ACP201            | 1   |        |                   |
| 107-41  | K0010100352    | BOLT, HT M10-35              | 3   |        |                   |
| 107-42  | K0010100202    | BOLT, HT M10-20              | 3   |        |                   |
| 107-43  | K5000100002    | WASHER, M10                  | 1   |        |                   |
| 107-44  | LM282--0542Z2  | FITTING, MOUNTING JOINT      | 1   |        |                   |
| 107-45  | K0010080202    | BOLT, HT M8-20               | 6   |        |                   |
| 107-46  | K5000080002    | WASHER, M8                   | 10  |        |                   |
| 107-47  | K0300016202    | PIN, COTTER M1.6-20          | 2   |        |                   |
| 107-48  | K6030050122    | PIN, FLAT HEAD M5-12         | 2   |        |                   |
| 107-49  | K2691000220    | ENGINE, KUBOTA D1105-T-E3B   | 1   |        |                   |
| 107-50  | PF15241-3209-4 | ELEMENT, OIL FILTER          | 1   |        |                   |
| 107-51  | PF16241-9701-0 | BELT, FAN                    | 1   |        |                   |
| 107-52  | PF13901-3375-0 | PLUG, DRAIN BOLT             | 1   |        |                   |
| 107-53  | PF6C090-5896-0 | GASKET, DRAIN OILPAN         | 1   |        |                   |
| 107-54  | LM285--1002ZD  | FITTING                      | 1   |        |                   |
| 107-55  | LM285--1001Z0  | CASE, MANUAL                 | 1   |        |                   |
| 107-56  | PF09661-8250-0 | TUBE, FUEL                   | 1   |        |                   |
| 107-57  | PFR1401-5135-1 | PUMP ASSY, FUEL              | 1   |        |                   |
| 107-58  | K0000060152    | BOLT, M6-15                  | 2   |        |                   |
| 107-59  | K5000060002    | WASHER, M6                   | 17  |        |                   |
| 107-60  | LM318--0510Z2  | SHANK, THROTTLE LEVER        | 1   |        |                   |
| 107-61  | K0100100002    | NUT, M10                     | 6   |        |                   |
| 107-62  | K1110101000    | WIRE, THROTTLE 1010          | 1   |        |                   |
| 107-63  | K0210100002    | SPRING, CONICAL DISC L M10   | 2   |        |                   |
| 107-64  | K6212000092    | COLLAR, STKM M10-16-10       | 1   |        |                   |
| 107-65  | LM318--0511Z2  | BRACKET, THROTTLE LEVER      | 1   |        |                   |
| 107-66  | K0000060202    | BOLT, M6-20                  | 2   |        |                   |
| 107-67  | PF1G313-4356-0 | ELEMENT ASSY, FUEL           | 1   |        |                   |
| 107-68  | K1301000150    | GRIP, PLASTIC THROTTLE LEVER | 1   |        |                   |
| 107-69  | K0042050082    | SCREW, + ROUND HEAD M5-8     | 1   |        |                   |
| 107-70  | K0000060102    | BOLT, M6-10                  | 9   |        |                   |

107. Engine parts



| Cat No. | Code No.       | Part name                          | Qty | Remark | SN of application | Cat No. | Code No.       | Part name                | Qty | Remark | SN of application |
|---------|----------------|------------------------------------|-----|--------|-------------------|---------|----------------|--------------------------|-----|--------|-------------------|
| 107-71  | K0200060002    | WASHER, SPRING M6                  | 13  |        |                   | 107-106 | PFR1401-5317-1 | GAUGE, WATER TEMPERATURE | 1   |        | 10148-            |
| 107-72  | K6211000062    | COLLAR, SGP M12.7-17.3-31          | 2   |        |                   | 107-107 | K3620000950    | CONNECTOR                | 1   |        | 10148-            |
| 107-73  | K0014100602    | BOLT, HT P1.25 M10-60              | 1   |        |                   | 107-108 |                |                          |     |        |                   |
| 107-74  | K5073210352    | WASHER, SPHC 3.2-10-35             | 2   |        |                   | 107-109 |                |                          |     |        |                   |
| 107-75  | K4031000310    | RUBBER, PLATE 32                   | 4   |        |                   | 107-110 | K4209001470    | PLATE, TPEM              | 1   |        |                   |
| 107-76  | LM285--0551ZD  | ROD, TORQUE                        | 1   |        |                   |         |                |                          |     |        |                   |
| 107-77  | K0010100602    | BOLT, HT M10-60                    | 1   |        |                   |         |                |                          |     |        |                   |
| 107-78  | K0100080002    | NUT, M8                            | 14  |        |                   |         |                |                          |     |        |                   |
| 107-79  | LM285--0550AD  | FITTING, ELECTROMAGNETIC PICKUP    | 1   |        |                   |         |                |                          |     |        |                   |
| 107-80  | K0011100302    | BOLT, HT P1.25 M10-30              | 1   |        |                   |         |                |                          |     |        |                   |
| 107-81  | K3662000060    | SWITCH, TOGGLE ST115AT             | 1   |        |                   |         |                |                          |     |        |                   |
| 107-82  | K4031000300    | RUBBER, CAP WD1911                 | 1   |        |                   |         |                |                          |     |        |                   |
| 107-83  | K4203001410    | STICKER, LIGHT SWITCH              | 1   |        |                   |         |                |                          |     |        |                   |
| 107-84  | LM282--0560Z2  | STOPPER                            | 1   |        |                   |         |                |                          |     |        |                   |
| 107-85  | K0000080352    | BOLT, M8-35                        | 1   |        |                   |         |                |                          |     |        |                   |
| 107-86  | K0144060002    | NUT, WITH F-RING, M6               | 2   |        |                   |         |                |                          |     |        |                   |
| 107-87  | PF56713-4293-1 | PICKUP, ELECTROMAGNETIC            | 1   |        |                   |         |                |                          |     |        |                   |
| 107-88  | PF02172-5018-0 | NUT                                | 1   |        |                   |         |                |                          |     |        |                   |
| 107-89  | K5073208202    | WASHER, SPHC 3.2-8-20              | 8   |        |                   |         |                |                          |     |        |                   |
| 107-90  | K4228000040    | SPONGE, RUBBER 5-15-230            | 2   |        |                   |         |                |                          |     |        |                   |
| 107-91  | LM285--0506B0  | TANK COMP, FUEL                    | 1   |        |                   |         |                |                          |     |        |                   |
| 107-92  | K0000050152    | BOLT, M5-15                        | 5   |        |                   |         |                |                          |     |        |                   |
| 107-93  | K0922050000    | SEAL, WASHER 5WF                   | 5   |        |                   |         |                |                          |     |        |                   |
| 107-94  | K2721000100    | GAUGE, FLOATING 225 X 175          | 1   |        |                   |         |                |                          |     |        |                   |
| 107-95  | K2721000020    | PACKING, OIL-SHEET                 | 1   |        |                   |         |                |                          |     |        |                   |
| 107-96  | K1410000070-Y  | PLUG, OIL WITH AIR HOLE            | 1   |        |                   |         |                |                          |     |        |                   |
| 107-97  | K3420000030    | STRAINER, FUEL                     | 1   |        |                   |         |                |                          |     |        |                   |
| 107-98  | K1400000044-Y  | GAUGE, OIL M TYPEPF3/4             | 1   |        |                   |         |                |                          |     |        |                   |
| 107-99  | K1422106001-Y  | PLUG, TAPER WITH HEX. HOLE T1, 3/8 | 1   |        |                   |         |                |                          |     |        |                   |
| 107-100 |                |                                    |     |        |                   |         |                |                          |     |        |                   |
| 107-101 | K4042000040    | RUBBER, VIBRATION PROOF KB-30      | 4   |        |                   |         |                |                          |     |        |                   |
| 107-102 | K3653000010    | GAUGE, FUEL 52BG2                  | 1   |        |                   |         |                |                          |     |        |                   |
| 107-103 | K4251000020    | CLAMP, WIRE S20                    | 1   |        |                   |         |                |                          |     |        |                   |
| 107-104 |                |                                    |     |        |                   |         |                |                          |     |        |                   |
| 107-105 | K0001100202    | BOLT, P1.25 M10-20                 | 1   |        |                   |         |                |                          |     |        |                   |

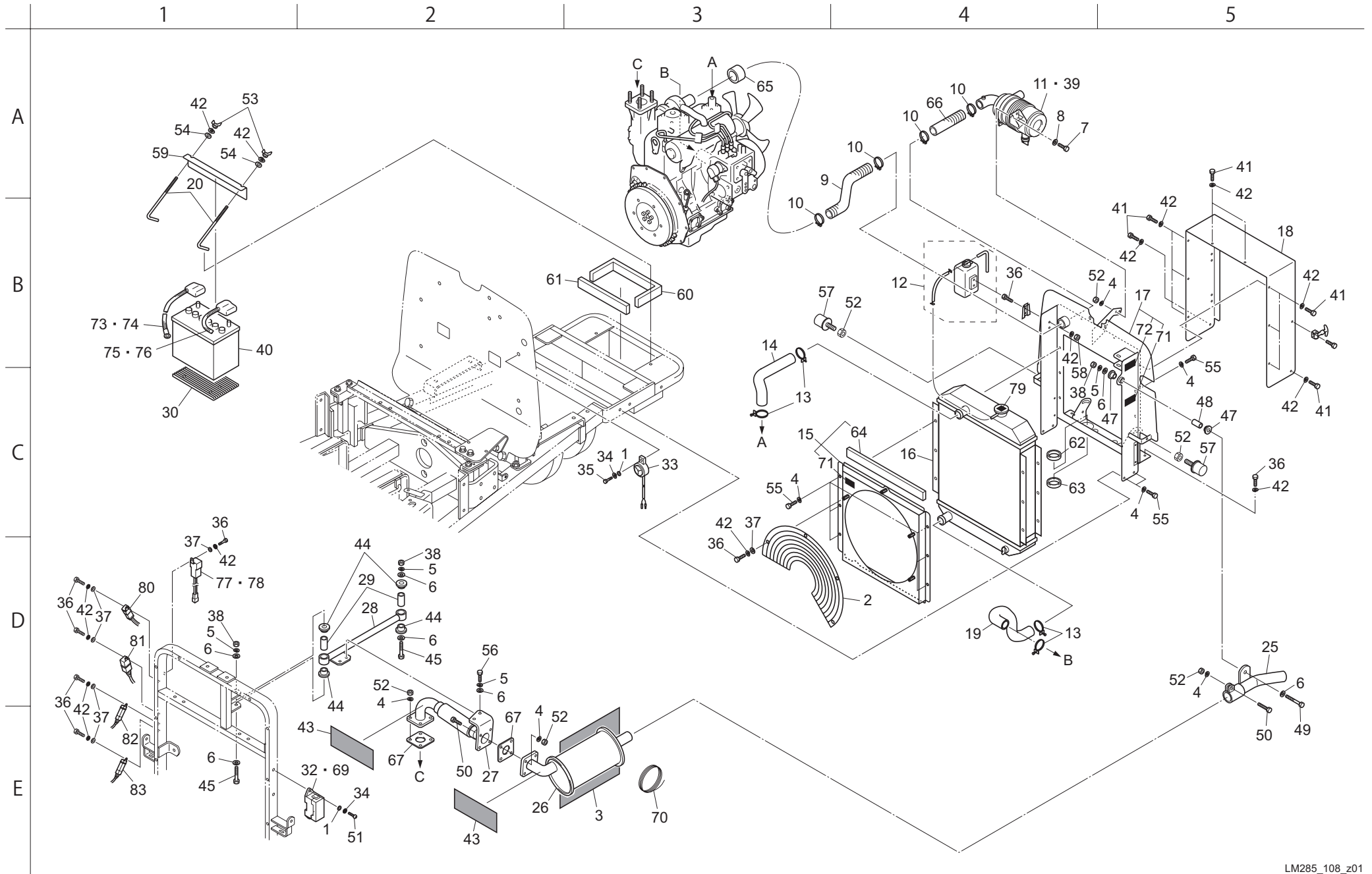
108. Radiator parts



| Cat No. | Code No.       | Part name                               | Qty | Remark | SN of application |
|---------|----------------|---|-----|--------|-------------------|
| 108-1   | K5000050002    | WASHER, M5                              | 3   |        |                   |
| 108-2   | PF1G690-7412-0 | COVER, FAN                              | 1   |        |                   |
| 108-3   | K4230000140    | PLATE, GLASS-FABRICS 1.6-285420         | 1   |        |                   |
| 108-4   | K0200080002    | WASHER, SPRING M8                       | 27  |        |                   |
| 108-5   | K0200100002    | WASHER, SPRING M10                      | 5   |        |                   |
| 108-6   | K5000100002    | WASHER, M10                             | 8   |        |                   |
| 108-7   | K0000080202    | BOLT, M8-20                             | 2   |        |                   |
| 108-8   | K5000080002    | WASHER, M8                              | 2   |        |                   |
| 108-9   | K3170004000    | HOSE, 50 BANNER A 400                   | 1   |        |                   |
| 108-10  | K4262057000    | CLAMP, LS BAND 57                       | 4   |        |                   |
| 108-11  | PF17407-1101-0 | AIR CLEANER ASSY                        | 1   |        |                   |
| 108-12  | PFRC411-4268-1 | TANK ASSY, RESERVE                      | 1   |        |                   |
| 108-13  | PF09318-8903-9 | CLAMP, FOR HOSE                         | 4   |        |                   |
| 108-14  | PF16292-7294-1 | PIPE, WATER 4                           | 1   |        |                   |
| 108-15  | LM285--0560Z0  | SHROUD, WITH STICKER                    | 1   |        |                   |
| 108-16  | K2730000040    | RADIATOR                                | 1   |        |                   |
| 108-17  | LM285--0561B0  | FITTING, RADIATOR WITH STICKER          | 1   |        |                   |
| 108-18  | LM285--0941BD  | BOX                                     | 1   |        |                   |
| 108-19  | PF1G345-7285-0 | HOSE, (1, WATER)                        | 1   |        |                   |
| 108-20  | K6171000312    | ROD, WITH M6                            | 2   |        |                   |
| 108-21  |                |   |     |        |                   |
| 108-22  |                |   |     |        |                   |
| 108-23  |                |   |     |        |                   |
| 108-24  |                |   |     |        |                   |
| 108-25  | LM285--0553ZU  | PIPE, TAIL                              | 1   |        |                   |
| 108-26  | K2693000030    | MUFFLER                                 | 1   |        |                   |
| 108-27  | LM285--0552ZU  | PIPE, FLEXIBLE EXHAUST                  | 1   |        |                   |
| 108-28  | LM285--0554ZD  | BAR, SUPPORTING                         | 1   |        |                   |
| 108-29  | K6211000022    | COLLAR, M12-17.3-40                     | 2   |        |                   |
| 108-30  | K4035000020    | RUBBER, VIBRATION PROOF FOR BATTERY 256 | 1   |        |                   |
| 108-31  |                |   |     |        |                   |
| 108-32  | K3630000170    | FUSE BLOCK, MINI 10P-C                  | 1   |        |                   |
| 108-33  | K3700000010    | BUZZER, EBM-12 TYPE                     | 1   |        |                   |
| 108-34  | K0200050002    | WASHER, SPRING M5                       | 3   |        |                   |
| 108-35  | K0000050252    | BOLT, M5-25                             | 1   |        |                   |

| Cat No. | Code No.       | Part name                       | Qty | Remark | SN of application |
|---------|----------------|---------------------------------|-----|--------|-------------------|
| 108-36  | K0000060152    | BOLT, M6-15                     | 13  |        |                   |
| 108-37  | K5000060002    | WASHER, M6                      | 9   |        |                   |
| 108-38  | K0100100002    | NUT, M10                        | 3   |        |                   |
| 108-39  | PFT0270-1632-0 | ELEMENT, AIR CLEANER            | 1   |        |                   |
| 108-40  | K3600000160    | BATTERY, FX75D23L               | 1   |        |                   |
| 108-41  | K0000060102    | BOLT, M6-10                     | 10  |        |                   |
| 108-42  | K0200060002    | WASHER, SPRING M6               | 25  |        |                   |
| 108-43  | K4230000040    | PLATE, GLASS-FABRICS 1.6-301000 | 2   |        |                   |
| 108-44  | K4031000050    | RUBBER, ROUND FOR HANDLE 35     | 4   |        |                   |
| 108-45  | K0010100702    | BOLT, HT M10-70                 | 2   |        |                   |
| 108-46  |                |                                 |     |        |                   |
| 108-47  | K4031000020    | RUBBER, ROUND FOR HANDLE 32     | 2   |        |                   |
| 108-48  | K6211000062    | COLLAR, SGP M12.7-17.3-31       | 1   |        |                   |
| 108-49  | K0003100502    | BOLT, M10-50                    | 1   |        |                   |
| 108-50  | K0000080302    | BOLT, M8-30                     | 5   |        |                   |
| 108-51  | K0042050152    | SCREW, + ROUND HEAD M5-15       | 2   |        |                   |
| 108-52  | K0100080002    | NUT, M8                         | 13  |        |                   |
| 108-53  | K0141060002    | NUT, WING M6-3                  | 2   |        |                   |
| 108-54  | K5012306162    | WASHER, SPCC 2.3-6-16           | 2   |        |                   |
| 108-55  | K0000080152    | BOLT, M8-15                     | 16  |        |                   |
| 108-56  | K0000100252    | BOLT, M10-25                    | 2   |        |                   |
| 108-57  | K4049030000    | RUBBER, STOPPER KI-30           | 2   |        |                   |
| 108-58  | K0100060002    | NUT, M6                         | 2   |        |                   |
| 108-59  | LM285--0911Z2  | CLAMPER, BATTERY                | 1   |        |                   |
| 108-60  | GM1600-0519Z0  | SPONGE, RUBBER 8-610            | 1   |        |                   |
| 108-61  | GM1600-0520Z0  | SPONGE, RUBBER 8-250            | 1   |        |                   |
| 108-62  | K0900300660    | GROMMET, W/SEALING C30SG30A     | 2   |        |                   |
| 108-63  | K0900300300    | GROMMET, W/SEALING C30SG30A     | 2   |        |                   |
| 108-64  | LM282--0522Z0  | SPONGE, URETHANE                | 2   |        |                   |
| 108-65  | LM285--0555Z0  | COLLAR, TURBINE                 | 1   |        |                   |
| 108-66  | K3170001500    | HOSE, 50 BANNER A 150           | 1   |        |                   |
| 108-67  | PF15263-1237-0 | PACKING, MUFFLER NA             | 2   |        |                   |
| 108-68  |                |                                 |     |        |                   |
| 108-69  | K3631000070    | FUSE, MINI BLADE 5A             | 1   |        |                   |
| 108-70  | K4980015000    | WIRE, SUS 1.2-1500              | 1   |        |                   |

108. Radiator parts

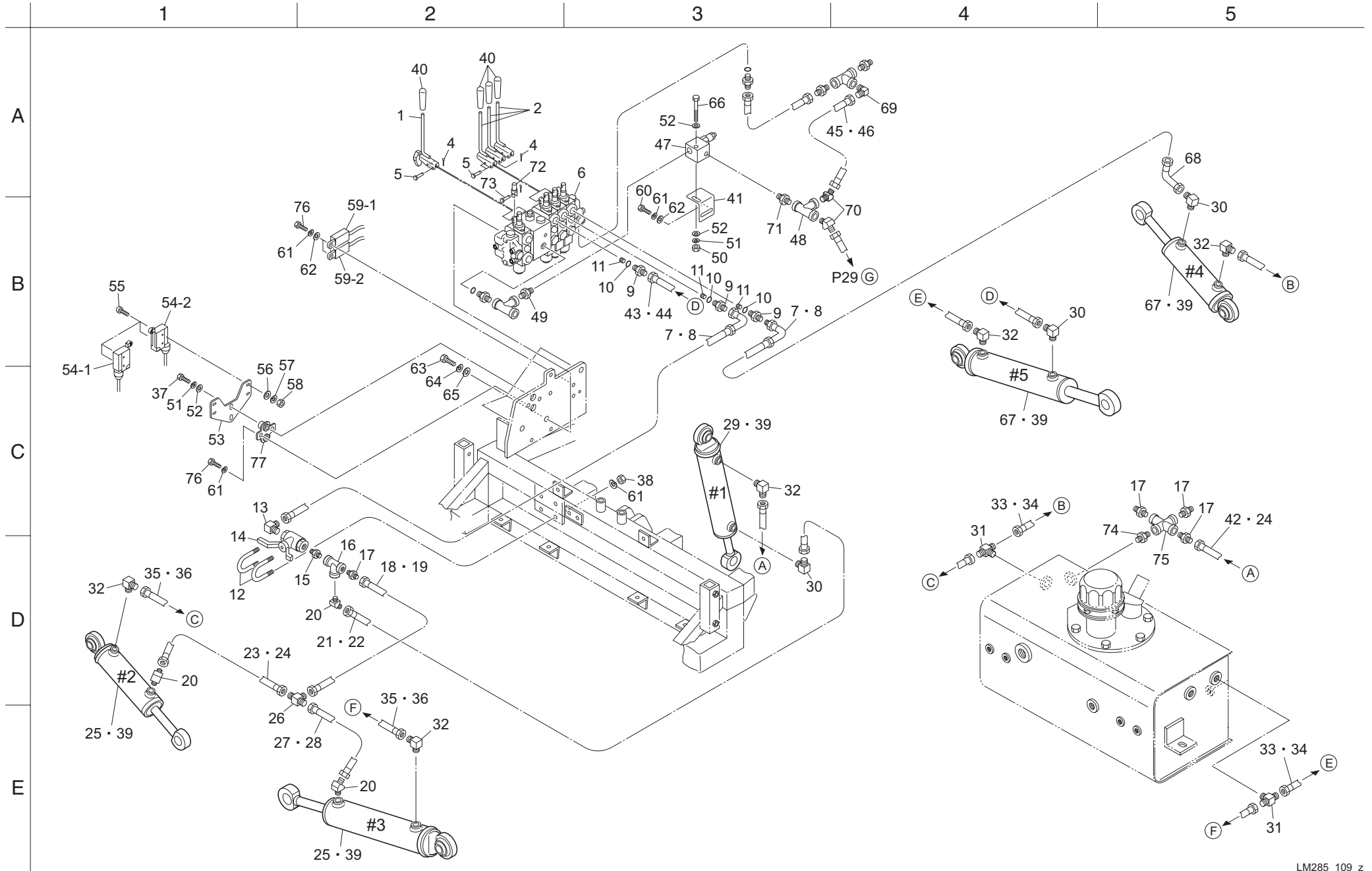




| Cat No. | Code No.       | Part name                         | Qty | Remark | SN of application |
|---------|----------------|-----------------------------------|-----|--------|-------------------|
| 108-71  | K4205001530    | DECAL, CAUTION TO ROTATING OBJECT | 2   |        |                   |
| 108-72  | K4205001540    | DECAL, CAUTION TO HOT PARTS       | 1   |        |                   |
| 108-73  | K3610000230    | WIRE, BATTERY (+) 1250            | 1   |        |                   |
| 108-74  | K3196012000    | TUBE, CORRUGATED 13-1200          | 1   |        |                   |
| 108-75  | K3611000420    | WIRE, TO EARTH 1000               | 1   |        |                   |
| 108-76  | K3196009500    | TUBE, CORRUGATED 13-950           | 1   |        |                   |
| 108-77  | K3630000130    | FUSE BLOCK, FUSIBLE LINK 50A      | 1   |        |                   |
| 108-78  | K3631000170    | FUSE, PLUG-IN 50A                 | 1   |        |                   |
| 108-79  | K4205001970    | DECAL, CAUTION SPOUTING COOLANT   | 1   |        |                   |
| 108-80  | K3630000160    | FUSE BLOCK, FUSIBLE LINK 30A      | 1   |        |                   |
| 108-81  | K3681000070    | RELAY, POWER MR5A411A1K           | 1   |        |                   |
| 108-82  | K3681000060    | RELAY, CA1aF-12V-N-5              | 1   |        |                   |
| 108-83  | PF1K574-6022-0 | RELAY COMP                        | 1   |        |                   |
|         |                |                                   |     |        |                   |
|         |                |                                   |     |        |                   |
|         |                |                                   |     |        |                   |
|         |                |                                   |     |        |                   |
|         |                |                                   |     |        |                   |
|         |                |                                   |     |        |                   |

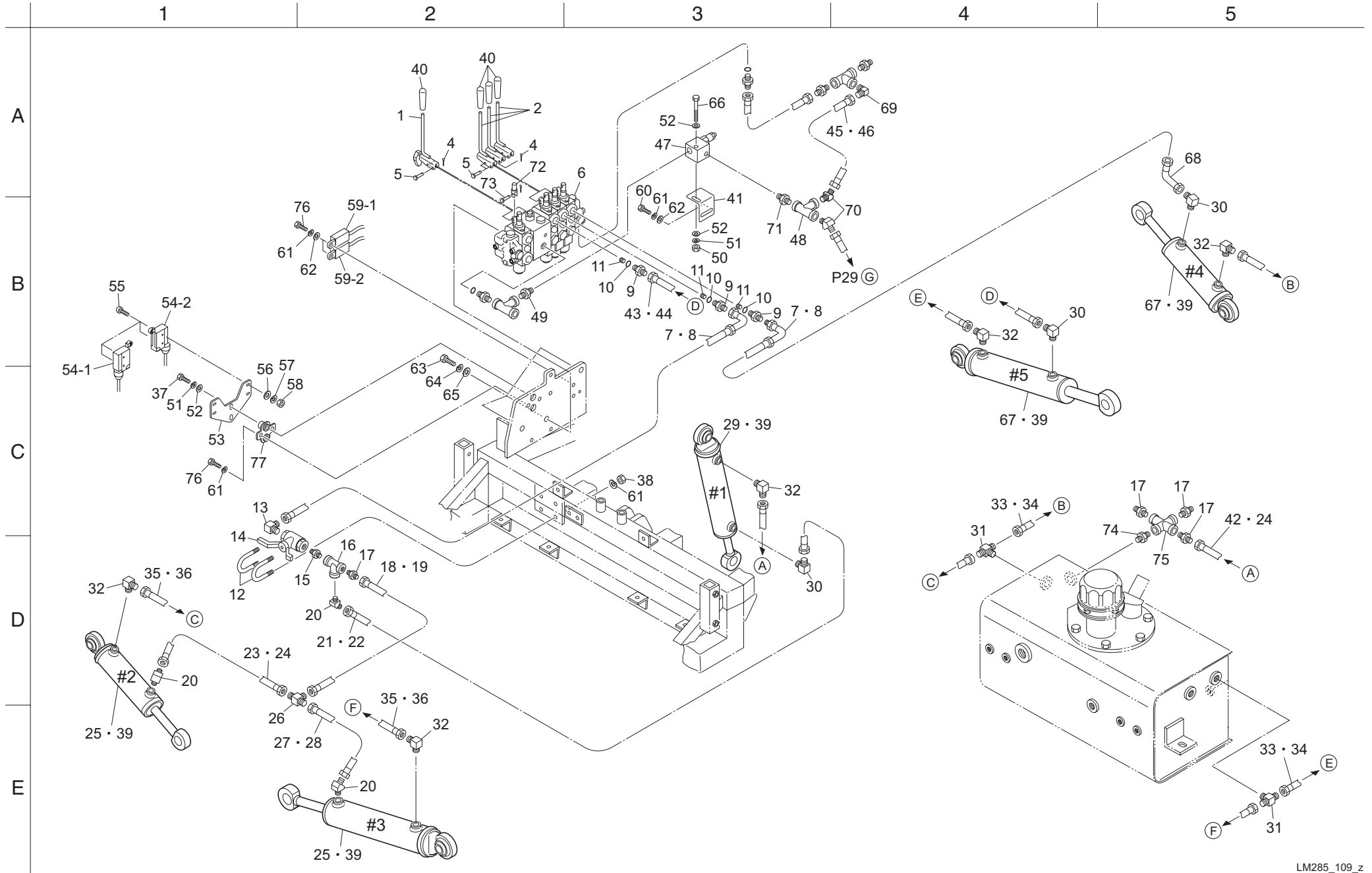
| Cat No. | Code No. | Part name | Qty | Remark | SN of application |
|---------|----------|-----------|-----|--------|-------------------|
|         |          |           |     |        |                   |
|         |          |           |     |        |                   |
|         |          |           |     |        |                   |
|         |          |           |     |        |                   |
|         |          |           |     |        |                   |
|         |          |           |     |        |                   |
|         |          |           |     |        |                   |
|         |          |           |     |        |                   |
|         |          |           |     |        |                   |
|         |          |           |     |        |                   |

109. Hydraulic parts A(Cylinder system)



| Cat No. | Code No.      | Part name                           | Qty | Remark | SN of application | Cat No.  | Code No.      | Part name                 | Qty | Remark                         | SN of application |
|---------|---------------|-------------------------------------|-----|--------|-------------------|----------|---------------|---------------------------|-----|--------------------------------|-------------------|
| 109-1   | LM285--0702A2 | LEVER, REEL ROTATION                | 1   |        |                   | 109-36   | K3190001700   | TUBE, SPIRAL SP-12 170    | 2   |                                |                   |
| 109-2   | LM285--0701Z2 | LEVER, RAISING AND LOWERING MOWER   | 3   |        |                   | 109-37   | K0000080152   | BOLT, M8-15               | 2   |                                |                   |
| 109-3   |               |                                     |     |        |                   | 109-38   | K0100060002   | NUT, M6                   | 4   |                                |                   |
| 109-4   | K0300020102   | PIN, COTTER M2-10                   | 4   |        |                   | 109-39   | YD10000896-1  | SEAL KIT, CYLINDER        | 5   |                                |                   |
| 109-5   | Y80103-1139-2 | PIN, 5-24                           | 8   |        |                   | 109-40   | K1300000180   | GRIP, RUBBER BLACK 7-23   | 4   |                                |                   |
| 109-6   | K3303000030   | VALVE, FOURFOLD ASV50               | 1   |        |                   | 109-41   | LM285--0662ZD | BRACKET, RELIEF VALVE     | 1   |                                |                   |
| 109-7   | K3103230480   | HOSE, WP140-6-3-480                 | 2   |        |                   | 109-42   | K3101210400   | HOSE, WP70-6-1-400        | 1   |                                |                   |
| 109-8   | K3190003500   | TUBE, SPIRAL SP-12 350              | 2   |        |                   | 109-43   | K3103230900   | HOSE, WP140-6-3-900       | 1   |                                |                   |
| 109-9   | K3029000152-Y | CONNECTOR, WITH O-RING PF3/8*PF1/4  | 3   |        |                   | 109-44   | K3190008000   | TUBE, SPIRAL SP-12 800    | 1   |                                |                   |
| 109-10  | K0881014000   | O-RING, P14B                        | 5   |        |                   | 109-45   | K3100410340   | HOSE, WP35-12-1-340       | 1   |                                |                   |
| 109-11  | K0023000031-Y | PLUG, TAPER WITH HEX. HOLE T1 1/8-1 | 3   |        |                   | 109-46   | K3191001900   | TUBE, SPIRAL SP-15 190    | 1   |                                |                   |
| 109-12  | K0073000022   | BOLT, WITH F-RING, M6-40            | 2   |        |                   | 109-47   | K3315000050   | VALVE, RELIEF             | 1   |                                |                   |
| 109-13  | K3006000012-Y | ELBOW, ODD SIZED PT3/8*PF1/4        | 1   |        |                   | 109-48   | K3021080002-Y | TEE, TEF PT1/2            | 1   |                                |                   |
| 109-14  | K3360000010   | VALVE, STOP 397819                  | 1   |        |                   | 109-49   | K3023060001-Y | NIPPLE, NS.PT3/8          | 1   |                                |                   |
| 109-15  | K3029000211-Y | NIPPLE, ODD SIZED PT3/8*PT1/4       | 1   |        |                   | 109-50   | K0100080002   | NUT, M8                   | 1   |                                |                   |
| 109-16  | K3021040002-Y | TEE, TEF PT1/4                      | 1   |        |                   | 109-51   | K0200080002   | WASHER, SPRING M8         | 3   |                                |                   |
| 109a-17 | K3000060002-Y | ADAPTOR, 1013-6                     | 6   |        |                   | 109-52   | K5000080002   | WASHER, M8                | 4   |                                |                   |
| 109-18  | K3145000160   | HOSE, SSC140-570                    | 1   |        |                   | 109-53   | LM285--0661ZD | BRACKET, SWITCH           | 1   |                                |                   |
| 109-19  | K3190004700   | TUBE, SPIRAL SP-12 470              | 1   |        |                   | 109-54-1 | K3670000140   | SWITCH, LIMIT SWAZ7121N0  | 1   | for stop solenoid              |                   |
| 109-20  | K3003060002-Y | ELBOW, 45 DEG 1035-6                | 3   |        |                   | 109-54-2 | K3670000140   | SWITCH, LIMIT SWAZ7121N0  | 1   | for cell motor                 |                   |
| 109-21  | K3145000150   | HOSE, IB140-460                     | 1   |        |                   | 109-55   | K0042040302   | SCREW, + ROUND HEAD M4-30 | 4   |                                |                   |
| 109-22  | K3190003600   | TUBE, SPIRAL SP-12 360              | 1   |        |                   | 109-56   | K5000040002   | WASHER, M4                | 4   |                                |                   |
| 109-23  | K3145000180   | HOSE, IB140-400                     | 1   |        |                   | 109-57   | K0200040002   | WASHER, SPRING M4         | 4   |                                |                   |
| 109-24  | K3190003000   | TUBE, SPIRAL SP-12 300              | 2   |        |                   | 109-58   | K0100040002   | NUT, M4                   | 4   |                                |                   |
| 109-25  | K3205000030   | CYLINDER, 40-110 307                | 2   |        |                   | 109-59-1 | K3681000060   | RELAY, CALAF-12V-N-5      | 1   | for seat switch                |                   |
| 109-26  | K3008000092-Y | ADAPTOR, T FOR HOSE PF1/4           | 1   |        |                   | 109-59-2 | K3681000060   | RELAY, CALAF-12V-N-5      | 1   | for detecting rotation of reel |                   |
| 109-27  | K3145000170   | HOSE, IB140-320                     | 1   |        |                   | 109-60   | K0000060202   | BOLT, M6-20               | 2   |                                |                   |
| 109-28  | K3190002200   | TUBE, SPIRAL SP-12 220              | 1   |        |                   | 109-61   | K0200060002   | WASHER, SPRING M6         | 10  |                                |                   |
| 109-29  | K3205000020   | CYLINDER, 40-70 252                 | 1   |        |                   | 109-62   | K5000060002   | WASHER, M6                | 4   |                                |                   |
| 109a-30 | K3001060002-Y | ELBOW, 90 DEG 1033-6                | 3   |        |                   | 109-63   | K0000120252   | BOLT, M12-25              | 3   |                                |                   |
| 109-31  | K3029000352-Y | TEE, PT1/4*PF1/4                    | 2   |        |                   | 109-64   | K0200120002   | WASHER, SPRING M12        | 3   |                                |                   |
| 109-32  | K3006000152-Y | ELBOW, ODD SIZED PT1/8*PF1/4        | 5   |        |                   | 109-65   | K5000120002   | WASHER, M12               | 3   |                                |                   |
| 109-33  | K3101210960   | HOSE, WP70-6-1-960                  | 2   |        |                   | 109-66   | K0003080502   | BOLT, M8-50               | 1   |                                |                   |
| 109-34  | K3190008600   | TUBE, SPIRAL SP-12 860              | 2   |        |                   | 109-67   | K3205000040   | CYLINDER, 40-158 352      | 2   |                                |                   |
| 109-35  | K3101230270   | HOSE, WP70-6-3-270                  | 2   |        |                   | 109-68   | K3000120002-Y | ADAPTOR, 1013-12          | 2   |                                |                   |

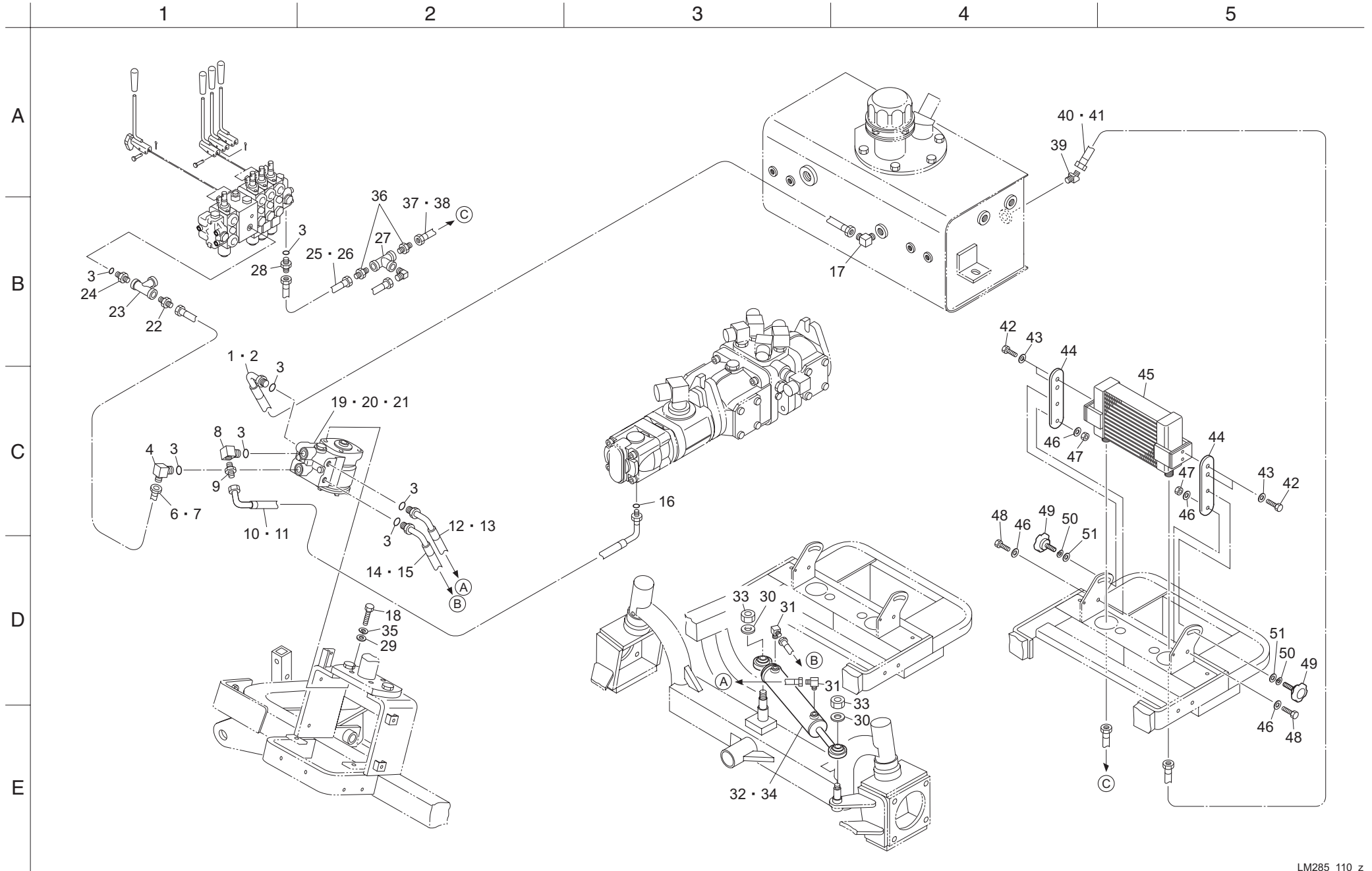
109. Hydraulic parts A(Cylinder system)



| Cat No. | Code No.      | Part name                     | Qty | Remark | SN of application |
|---------|---------------|-------------------------------|-----|--------|-------------------|
| 109-69  | K3001120002-Y | ELBOW, 90 DEG 1033-12         | 1   |        |                   |
| 109-70  | K3003120002-Y | ELBOW, 45 DEG 1035-12         | 2   |        |                   |
| 109-71  | K3029000091-Y | NIPPLE, ODD SIZED.PT3/8*PT1/2 | 1   |        |                   |
| 109-72  | Y80103-1135-2 | LINKAGE, LEVER                | 4   |        |                   |
| 109-73  | Y80103-1141-2 | PIN, 5-21                     | 4   |        |                   |
| 109-74  | K3023040001-Y | NIPPLE, NS.PT1/4              | 1   |        |                   |
| 109-75  | K3026004002-Y | CROSS, SCREWED SXA02          | 1   |        |                   |
| 109-76  | K0000060102   | BOLT, M6-10                   | 4   |        |                   |
| 109-77  | LM285--0663ZD | MOUNT, SWITCH                 | 1   |        | 10150-            |
| 109a-78 | K3334000010   |                               | 2   |        |                   |
| 109a-79 | K3006000042-Y | ELBOW,PT1/4                   | 2   |        |                   |
|         |               |                               |     |        |                   |
|         |               |                               |     |        |                   |
|         |               |                               |     |        |                   |
|         |               |                               |     |        |                   |
|         |               |                               |     |        |                   |
|         |               |                               |     |        |                   |

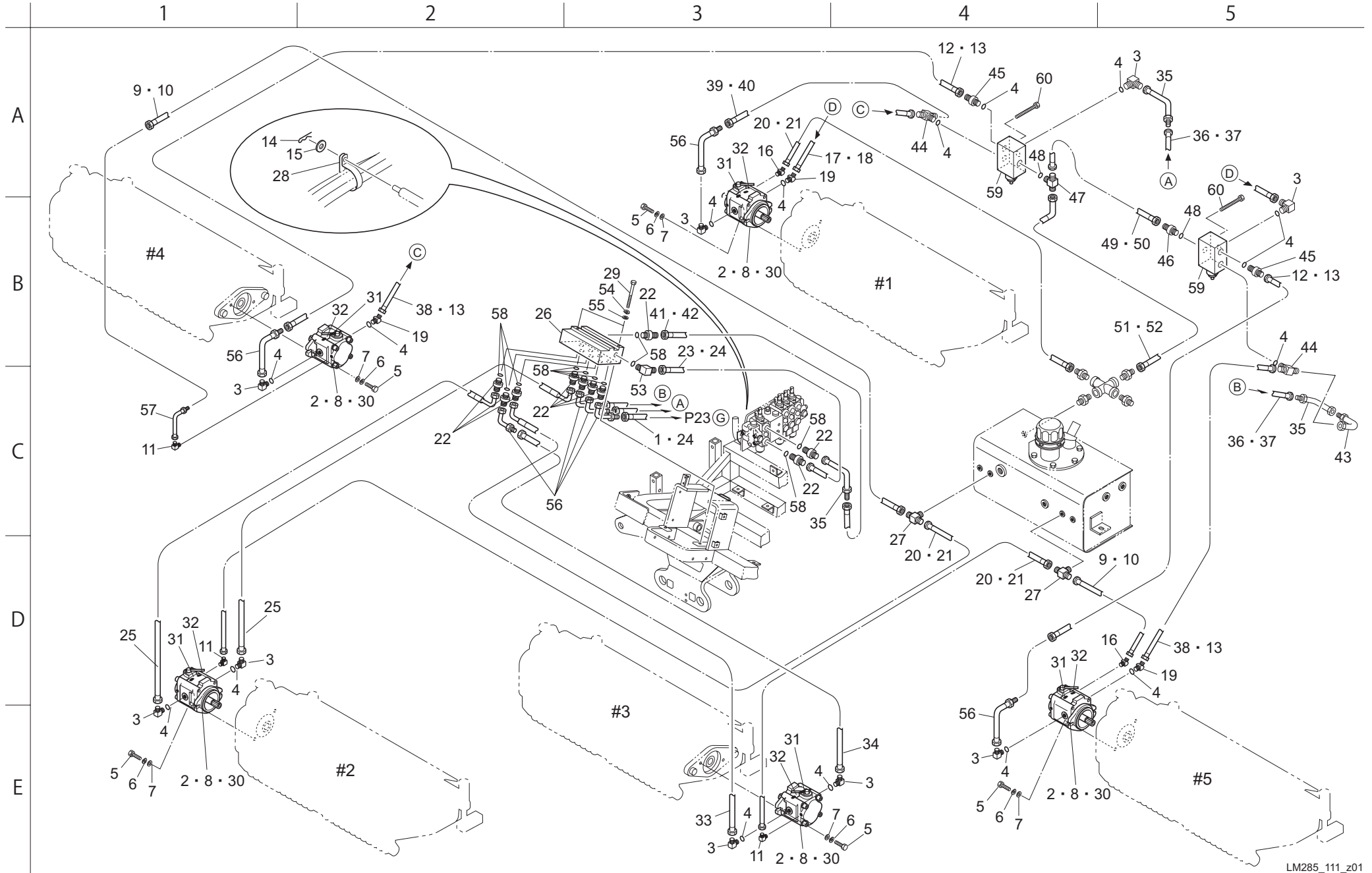
| Cat No. | Code No. | Part name | Qty | Remark | SN of application |
|---------|----------|-----------|-----|--------|-------------------|
|         |          |           |     |        |                   |
|         |          |           |     |        |                   |
|         |          |           |     |        |                   |
|         |          |           |     |        |                   |
|         |          |           |     |        |                   |
|         |          |           |     |        |                   |
|         |          |           |     |        |                   |
|         |          |           |     |        |                   |
|         |          |           |     |        |                   |
|         |          |           |     |        |                   |

110. Hydraulic parts A(Power steering system)



| Cat No. | Code No.      | Part name                               | Qty | Remark | SN of application | Cat No. | Code No.      | Part name                  | Qty | Remark | SN of application |
|---------|---------------|---|-----|--------|-------------------|---------|---------------|----------------------------|-----|--------|-------------------|
| 110-1   | K3145000290   | HOSE, SSC35-560                         | 1   |        |                   | 110-36  | K3000120002-Y | ADAPTOR, 1013-12           | 2   |        |                   |
| 110-2   | K3190004450   | TUBE, SPIRAL SP-12 445                  | 1   |        |                   | 110-37  | K3100411000   | HOSE, WP35-12-1-1000       | 1   |        |                   |
| 110-3   | K0881014000   | O-RING, P14B                            | 7   |        |                   | 110-38  | K3191008500   | TUBE, SPIRAL SP-15 850     | 1   |        |                   |
| 110-4   | K3008000192-Y | ADAPTOR, ODD SIZED 90 DEG PF1/2*PF3/8   | 1   |        |                   | 110-39  | K3003120002-Y | ELBOW, 45 DEG 1035-12      | 1   |        |                   |
| 110-5   |               |   |     |        |                   | 110-40  | K3100411900   | HOSE, WP35-12-1-1900       | 1   |        |                   |
| 110-6   | K3104421100   | HOSE, WP175-12-2-1100                   | 1   |        |                   | 110-41  | K3191017500   | TUBE, SPIRAL SP-15 1750    | 1   |        |                   |
| 110-7   | K3191009500   | TUBE, SPIRAL SP-15 950                  | 1   |        |                   | 110-42  | K0000080202   | BOLT, M8-20                | 4   |        |                   |
| 110-8   | K3008000072-Y | ADAPTOR, 90 DEG 1125-9                  | 1   |        |                   | 110-43  | K0200080002   | WASHER, SPRING M8          | 4   |        |                   |
| 110-9   | K3009000192-Y | ADAPTOR, PT3/8*PF1/2                    | 1   |        |                   | 110-44  | LM285--0642ZD | BRACKET, OIL COOLER        | 2   |        |                   |
| 110-10  | K3145000400   | HOSE, SSC140-1000                       | 1   |        |                   | 110-45  | K3431000030   | OIL COOLER                 | 1   |        |                   |
| 110-11  | K3191008700   | TUBE, SPIRAL SP-15 870                  | 1   |        |                   | 110-46  | K5000080002   | WASHER, M8                 | 4   |        |                   |
| 110-12  | K3145000120   | HOSE, SSC70-1910                        | 1   |        |                   | 110-47  | K0144080002   | NUT, WITH F-RING, M8       | 2   |        |                   |
| 110-13  | K3190018050   | TUBE, SPIRAL SP-12 1805                 | 1   |        |                   | 110-48  | K0000080252   | BOLT, M8-25                | 2   |        |                   |
| 110-14  | K3145000130   | HOSE, SSC70-1960                        | 1   |        |                   | 110-49  | K1320000220   | KNOB, WITH M8 4220         | 2   |        |                   |
| 110-15  | K3190018550   | TUBE, SPIRAL SP-12 1855                 | 1   |        |                   | 110-50  | K0213080002   | WASHER, DISK SPRING H M8-1 | 2   |        |                   |
| 110-16  | K0881018000   | O-RING, P18B                            | 1   |        |                   | 110-51  | K5073208202   | WASHER, SPHC 3.2-8-20      | 2   |        |                   |
| 110-17  | K3006000022-Y | ELBOW, ODD SIZED PT1/2*PF3/8            | 1   |        |                   |         |               |                            |     |        |                   |
| 110-18  | K0000100302   | BOLT, M10-30                            | 4   |        |                   |         |               |                            |     |        |                   |
| 110-19  | K3294000060   | STEERING, ORBIT ROLL UBS070A08GCD       | 1   |        |                   |         |               |                            |     |        |                   |
| 110-20  | YBA0274A      | SEAL KIT, ORBIT ROLL UBS070A08GCD       | 1   |        |                   |         |               |                            |     |        |                   |
| 110-21  | YBA0056A      | SEAL KIT, ORBIT ROLL UBS070A08GCD VALVE | 1   |        |                   |         |               |                            |     |        |                   |
| 110-22  | K3009000192-Y | ADAPTOR, PT3/8*PF1/2                    | 1   |        |                   |         |               |                            |     |        |                   |
| 110-23  | K3021060002-Y | TEE, TEF PT3/8                          | 1   |        |                   |         |               |                            |     |        |                   |
| 110-24  | K3009000052-Y | ADAPTOR, PT3/8*PF3/8                    | 1   |        |                   |         |               |                            |     |        |                   |
| 110-25  | K3100430300   | HOSE, WP35-12-3-300                     | 1   |        |                   |         |               |                            |     |        |                   |
| 110-26  | K3191001500   | TUBE, SPIRAL SP-15 150                  | 1   |        |                   |         |               |                            |     |        |                   |
| 110-27  | K3021080002-Y | TEE, TEF PT1/2                          | 2   |        |                   |         |               |                            |     |        |                   |
| 110-28  | K3009000172-Y | ADAPTOR, PF3/8*PF1/2                    | 1   |        |                   |         |               |                            |     |        |                   |
| 110-29  | K5000100002   | WASHER, M10                             | 4   |        |                   |         |               |                            |     |        |                   |
| 110-30  | K0215140001   | WASHER, DISK SPRING H M14-2             | 2   |        |                   |         |               |                            |     |        |                   |
| 110-31  | K3001060002-Y | ELBOW, 90 DEG 1033-6                    | 2   |        |                   |         |               |                            |     |        |                   |
| 110-32  | K3214000010   | CYLINDER, 35-164 374A                   | 1   |        |                   |         |               |                            |     |        |                   |
| 110-33  | K0145140002   | NUT, WITH F-RING, P1.5 M14              | 2   |        |                   |         |               |                            |     |        |                   |
| 110-34  | YDW46D0190-1  | SEAL KIT, CYLINDER                      | 1   |        |                   |         |               |                            |     |        |                   |
| 110-35  | K0200100002   | WASHER, SPRING M10                      | 4   |        |                   |         |               |                            |     |        |                   |

111. Hydraulic parts B/TYPE\_R (Reel motor system)

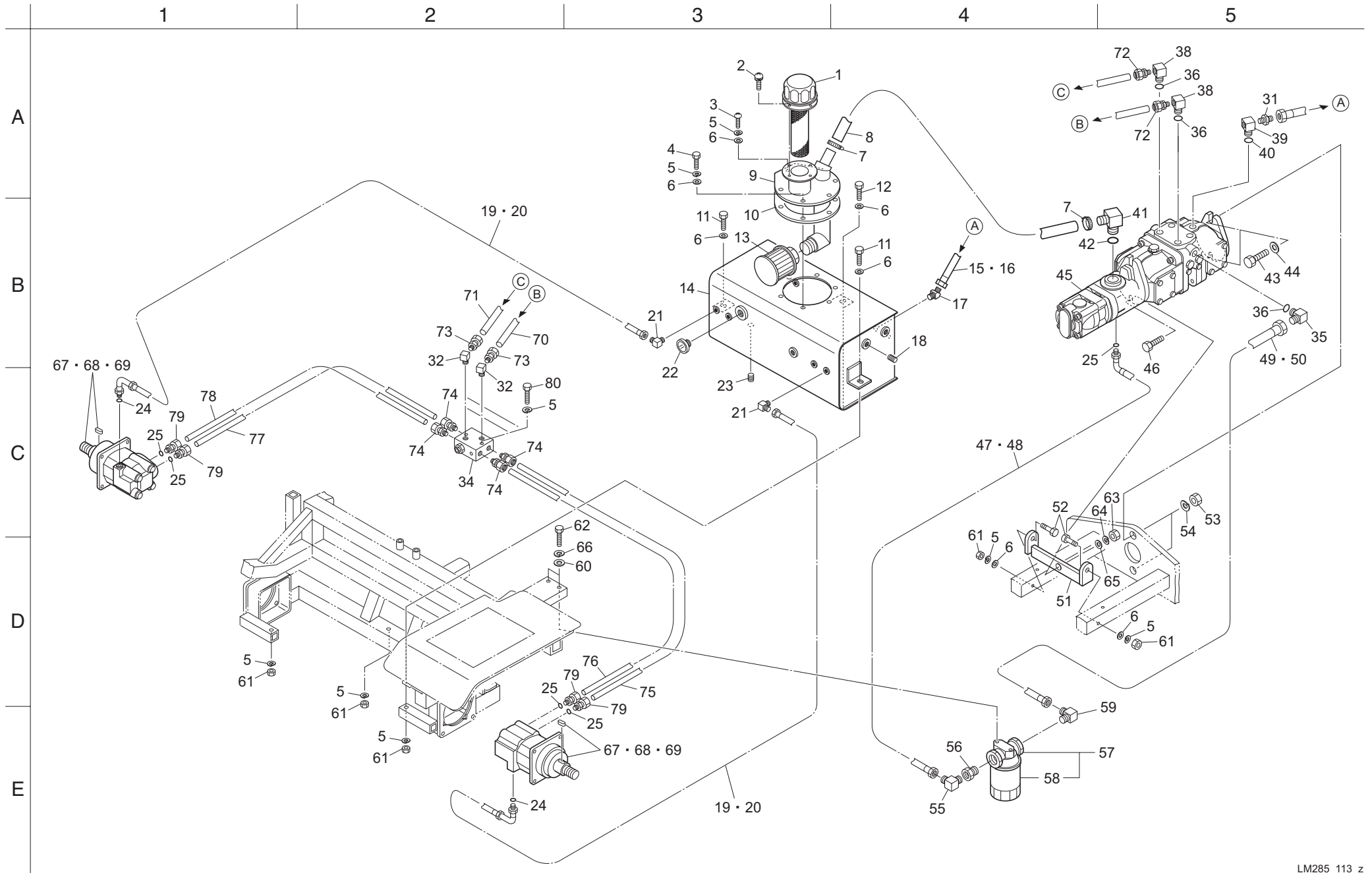




| Cat No. | Code No.      | Part name                     | Qty | Remark | SN of application |
|---------|---------------|-------------------------------|-----|--------|-------------------|
| 111-1   | K3100410950   | HOSE, WP35-12-1-950           | 1   |        |                   |
| 111-2   | K3280000230   | MOTOR, GEAR MB4AK379          | 5   |        |                   |
| 111-3   | K3008000042-Y | ADAPTOR, 90 DEG 1086-12       | 9   |        |                   |
| 111-4   | K0881018000   | O-RING, P18B                  | 16  |        |                   |
| 111-5   | K0000100252   | BOLT, M10-25                  | 10  |        |                   |
| 111-6   | K0200100002   | WASHER, SPRING M10            | 10  |        |                   |
| 111-7   | K5000100002   | WASHER, M10                   | 10  |        |                   |
| 111-8   | K3280000200   | MOTOR, GEAR MB6AK379          | 5   |        |                   |
| 111-9   | K3101211900   | HOSE, WP70-6-1-1900           | 2   |        |                   |
| 111-10  | K3190017500   | TUBE, SPIRAL SP-12 1750       | 2   |        |                   |
| 111-11  | K3001060002-Y | ELBOW, 90 DEG 1033-6          | 3   |        |                   |
| 111-12  | K3104410750   | HOSE, WP175-12-1-750          | 2   |        |                   |
| 111-13  | K3191006000   | TUBE, SPIRAL SP-15 600        | 4   |        |                   |
| 111-14  | K0330800008   | PIN, SNAP M8                  | 1   |        |                   |
| 111-15  | K5000080002   | WASHER, M8                    | 1   |        |                   |
| 111-16  | K3003060002-Y | ELBOW, 45 DEG 1035-6          | 2   |        |                   |
| 111-17  | K3104411050   | HOSE, WP175-12-1-1050         | 1   |        |                   |
| 111-18  | K3191009000   | TUBE, SPIRAL SP-15 900        | 1   |        |                   |
| 111-19  | K3008000182-Y | ADAPTOR, 45 DEG               | 3   |        |                   |
| 111-20  | K3101211600   | HOSE, WP70-6-1-1600           | 3   |        |                   |
| 111-21  | K3190014500   | TUBE, SPIRAL SP-12 1450       | 3   |        |                   |
| 111-22  | K3009000172-Y | ADAPTOR, PF3/8*PF1/2          | 10  |        |                   |
| 111-23  | K3104410950   | HOSE, WP175-12-1-950          | 1   |        |                   |
| 111-24  | K3191008000   | TUBE, SPIRAL SP-15 800        | 2   |        |                   |
| 111-25  | LM285--0705A0 | HOSE, WP175-12-3-1200         | 2   |        |                   |
| 111-26  | K3321000050   | MANIFOLD, WITH SOLENOID VALVE | 1   |        |                   |
| 111-27  | K3029000352-Y | TEE, PT1/4*PF1/4              | 3   |        |                   |
| 111-28  | K4270030080   | CLIP, HARNESS 30 M8           | 1   |        |                   |
| 111-29  | K0003080702   | BOLT, M8-70                   | 2   |        |                   |
| 111-30  | YCG0038A      | SEAL KIT, GEAR MOTOR MB6AK379 | 5   |        |                   |
| 111-31  | K4203001300   | DECAL, REEL ROTATION          | 5   |        |                   |
| 111-32  | K4203001310   | DECAL, REEL STOP              | 5   |        |                   |
| 111-33  | LM285--0707A0 | HOSE, WP175-12-3-1250         | 1   |        |                   |
| 111-34  | LM285--0706A0 | HOSE, WP175-12-1-1200         | 1   |        |                   |
| 111-35  | K3025064082-Y | ADAPTOR, FOR PIPE 064-08      | 3   |        |                   |

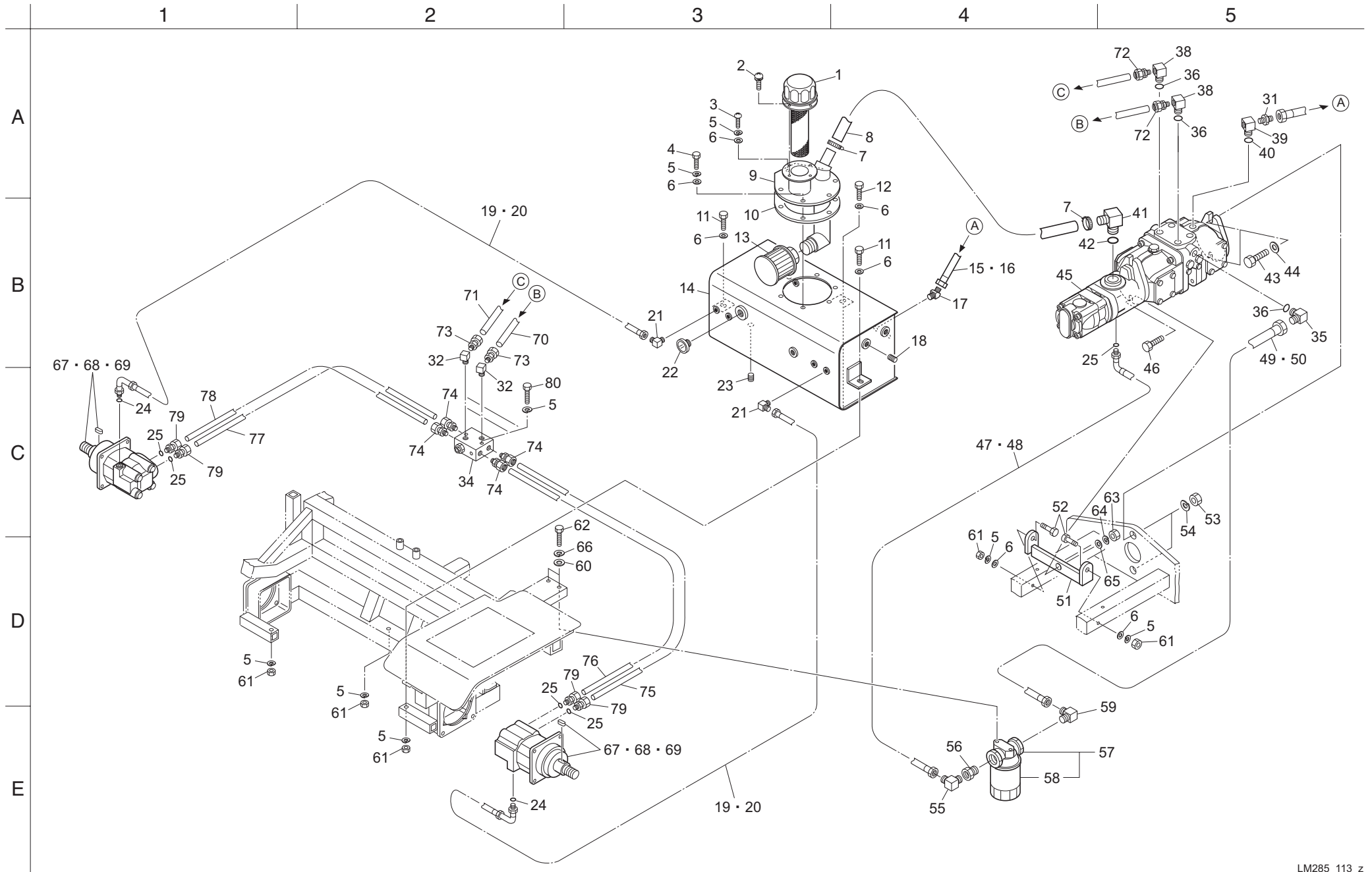
| Cat No. | Code No.      | Part name                             | Qty | Remark | SN of application |
|---------|---------------|---------------------------------------|-----|--------|-------------------|
| 111-36  | K3104411450   | HOSE, WP175-12-1-1450                 | 2   |        |                   |
| 111-37  | K3191013000   | TUBE, SPIRAL SP-15 1300               | 1   |        |                   |
| 111-38  | K3104430750   | HOSE, WP175-12-3-750                  | 2   |        |                   |
| 111-39  | K3104430700   | HOSE, WP175-12-3-700                  | 1   |        |                   |
| 111-40  | K3191005500   | TUBE, SPIRAL SP-15 550                | 1   |        |                   |
| 111-41  | K3104410880   | HOSE, WP175-12-1-880                  | 1   |        |                   |
| 111-42  | K3191007300   | TUBE, SPIRAL SP-15 780                | 1   |        |                   |
| 111-43  | K3025069082-Y | ADAPTOR, FOR PIPE 069-08              | 1   |        |                   |
| 111-44  | K3008000362-Y | BOSS, T-SHAPED WITH O-RING 1087-12    | 2   |        |                   |
| 111-45  | K3009000092-Y | ADAPTOR, PT1/2*PF1/2                  | 2   |        |                   |
| 111-46  | K3008000232-Y | CONNECTOR, WITH O-RING PF1/4 X PF1/4  | 1   |        |                   |
| 111-47  | K3008000672-Y | ADAPTOR, T WITH O-RING 1087-6         | 1   |        |                   |
| 111-48  | K0881011000   | O-RING, P11B                          | 2   |        |                   |
| 111-49  | K3100230280   | HOSE, WP35-6-3-280                    | 1   |        |                   |
| 111-50  | K3190001700   | TUBE, SPIRAL SP-12 170                | 1   |        |                   |
| 111-51  | K3100230900   | HOSE, WP35-6-3-900                    | 1   |        |                   |
| 111-52  | K3190007700   | TUBE, SPIRAL SP-12 770                | 1   |        |                   |
| 111-53  | K3008000192-Y | ADAPTOR, ODD SIZED 90 DEG PF1/2*PF3/8 | 1   |        |                   |
| 111-54  | K0200080002   | WASHER, SPRING M8                     | 2   |        |                   |
| 111-55  | K5000080002   | WASHER, M8                            | 2   |        |                   |
| 111-56  | K302506L082-Y | ADAPTOR, FOR PIPE 06L-08              | 7   |        |                   |
| 111-57  | K302506L042-Y | ADAPTOR, FOR PIPE 06L-04              | 1   |        |                   |
| 111-58  | K0881014000   | O-RING, P14B                          | 11  |        |                   |
| 111-59  | K3390000030   | VALVE, SELECTOR V1249                 | 2   |        |                   |
| 111-60  | K0024080801   | BOLT, WITH HEX. HOLE M8-80            | 8   |        |                   |

### 113. Hydraulic parts C (Front wheel motor system)



| Cat No. | Code No.        | Part name                           | Qty | Remark | SN of application | Cat No. | Code No.        | Part name                                 | Qty | Remark | SN of application |
|---------|-----------------|-------------------------------------|-----|--------|-------------------|---------|-----------------|---|-----|--------|-------------------|
| 113-1   | K3400000030     | BREATHER, REFUELING HOLE FAB-50     | 1   |        |                   | 113-36  | K0887009100     | O-RING, AS568-910                         | 3   |        |                   |
| 113-2   | K0044050102     | SCREW, + ROUND HEAD WITH W/SW M5-10 | 4   |        |                   | 113-37  |                 |   |     |        |                   |
| 113-3   | K0056080200     | SCREW, SUS + TRUSS M8-20            | 1   |        |                   | 113-38  | K3008000142-Y   | ADAPTOR, 90 DEG                           | 2   |        |                   |
| 113-4   | K0000080202     | BOLT, M8-20                         | 5   |        |                   | 113-39  | K3008000172-Y   | ADAPTOR, 90 DEG UNF                       | 1   |        |                   |
| 113-5   | K0200080002     | WASHER, SPRING M8                   | 13  |        |                   | 113-40  | K0887009080     | O-RING, AS568-908                         | 1   |        |                   |
| 113-6   | K5000080002     | WASHER, M8                          | 11  |        |                   | 113-41  | K3008000152-Y   | ADAPTOR, 90 DEG                           | 1   |        |                   |
| 113-7   | K4260000200     | CLAMP, HOSE JUBILEE BAND 2A         | 2   |        |                   | 113-42  | K0881029000     | O-RING, P29B                              | 1   |        |                   |
| 113-8   | LM318--0730Z0   | HOSE, WP35-32*500                   | 1   |        |                   | 113-43  | K0013140502     | BOLT HT M14-50                            | 2   |        |                   |
| 113-9   | LM318--0705Z2-Y | PORT, SUCTION HYDRAULIC TANK        | 1   |        |                   | 113-44  | K5000140002     | WASHER, M14                               | 2   |        |                   |
| 113-10  | LM318--0711Z0   | PACKING                             | 1   |        |                   | 113-45  | K3240000020     | PUMP, PISTON PV1616AR                     | 1   |        |                   |
| 113-11  | K0003080502     | BOLT, M8-50                         | 2   |        |                   | 113-46  | K0000120452     | BOLT, M12-45                              | 1   |        |                   |
| 113-12  | K0003080702     | BOLT, M8-70                         | 1   |        |                   | 113-47  | K3145000610     | HOSE, SSC35-710                           | 1   |        |                   |
| 113-13  | K3413000020     | FILTER, SUCTION SFT-08-150W         | 1   |        |                   | 113-48  | K3191006100     | TUBE, SPIRAL SP-15 610                    | 1   |        |                   |
| 113-14  | LM318--0701CD-Y | TANK, HYDRAULIC                     | 1   |        |                   | 113-49  | K3145000600     | HOSE, SSC35-660                           | 1   |        |                   |
| 113-15  | K3145000340     | HOSE, SSC35-1000                    | 1   |        |                   | 113-50  | K3192005600     | TUBE, SPIRAL SP-20 560                    | 1   |        |                   |
| 113-16  | K3192008500     | TUBE, SPIRAL SP-20 850              | 1   |        |                   | 113-51  | LM318--0708ZD   | MOUNT, PUMP                               | 1   |        |                   |
| 113-17  | K3003190002-Y   | ELBOW, 45 DEG 1035-19               | 1   |        |                   | 113-52  | K0000080602     | BOLT, M8-60                               | 2   |        |                   |
| 113-18  | K1422108001-Y   | PLUG, TAPER WITH HEX. HOLE T1, 1/2  | 1   |        |                   | 113-53  | K0100140002     | NUT, M14                                  | 2   |        |                   |
| 113-19  | K3145000270     | HOSE, SSC35-250                     | 2   |        |                   | 113-54  | K0200140002     | WASHER, SPRING M14                        | 2   |        |                   |
| 113-20  | K3190001550     | TUBE, SPIRAL SP-12 155              | 2   |        |                   | 113-55  | K3006000102-Y   | ELBOW, ODD SIZED PT3/4*PF1/2              | 1   |        |                   |
| 113-21  | K3001060002-Y   | ELBOW, 90 DEG 1033-6                | 2   |        |                   | 113-56  | K3024000012-Y   | JOINT, CAST IRON 1*3/4                    | 1   |        |                   |
| 113-22  | K1400000044-Y   | GAUGE, OIL M TYPEPF3/4              | 1   |        |                   | 113-57  | K3412000030     | FILTER, CARTRIDGE SP08-10-03              | 1   |        |                   |
| 113-23  | K1422106001-Y   | PLUG, TAPER WITH HEX. HOLE T1, 3/8  | 1   |        |                   | 113-58  | K3412000060     | FILTER, CARTRIDGE C-SP08H-10 (SUBSTITUTE) | 1   |        |                   |
| 113-24  | K0881011000     | O-RING, P11B                        | 2   |        |                   | 113-59  | K3006000112-Y   | ELBOW, ODD SIZED PT1*PF3/4                | 1   |        |                   |
| 113-25  | K0881018000     | O-RING, P18B                        | 5   |        |                   | 113-60  | K5000100002     | WASHER, M10                               | 2   |        |                   |
| 113-26  |                 |                                     |     |        |                   | 113-61  | K0100080002     | NUT, M8                                   | 5   |        |                   |
| 113-27  |                 |                                     |     |        |                   | 113-62  | K0000100202     | BOLT, M10-20                              | 2   |        |                   |
| 113-28  |                 |                                     |     |        |                   | 113-63  | K0100120002     | NUT, M12                                  | 1   |        |                   |
| 113-29  |                 |                                     |     |        |                   | 113-64  | K0200120002     | WASHER, SPRING M12                        | 1   |        |                   |
| 113-30  |                 |                                     |     |        |                   | 113-65  | K5000120002     | WASHER, M12                               | 1   |        |                   |
| 113-31  | K3007000012-Y   | ADAPTOR, ODD SIZED PT1/2*PF3/4      | 1   |        |                   | 113-66  | K0200100002     | WASHER, SPRING M10                        | 2   |        |                   |
| 113-32  | K3022080002-Y   | ELBOW, FEMALE-MALE STE PT1/2        | 2   |        |                   | 113-67  | K3291000190     | MOTOR, WHEEL 2-200BS4S                    | 2   |        |                   |
| 113-33  |                 |                                     |     |        |                   | 113-68  | Y61090S         | SEAL KIT, 2000 ORBIT MOTOR (REAR)         | 2   |        |                   |
| 113-34  | K3321000020     | MANIFOLD, WITH RELIEF VALVE         | 1   |        |                   | 113-69  | Y61091S         | SEAL KIT, 2000 ORBIT MOTOR (SHAFT)        | 2   |        |                   |
| 113-35  | K3008000162-Y   | ADAPTOR, 90 DEG UNF                 | 1   |        |                   | 113-70  | LM285--0785Z2-Y | PIPE, PUMP A2                             | 1   |        |                   |

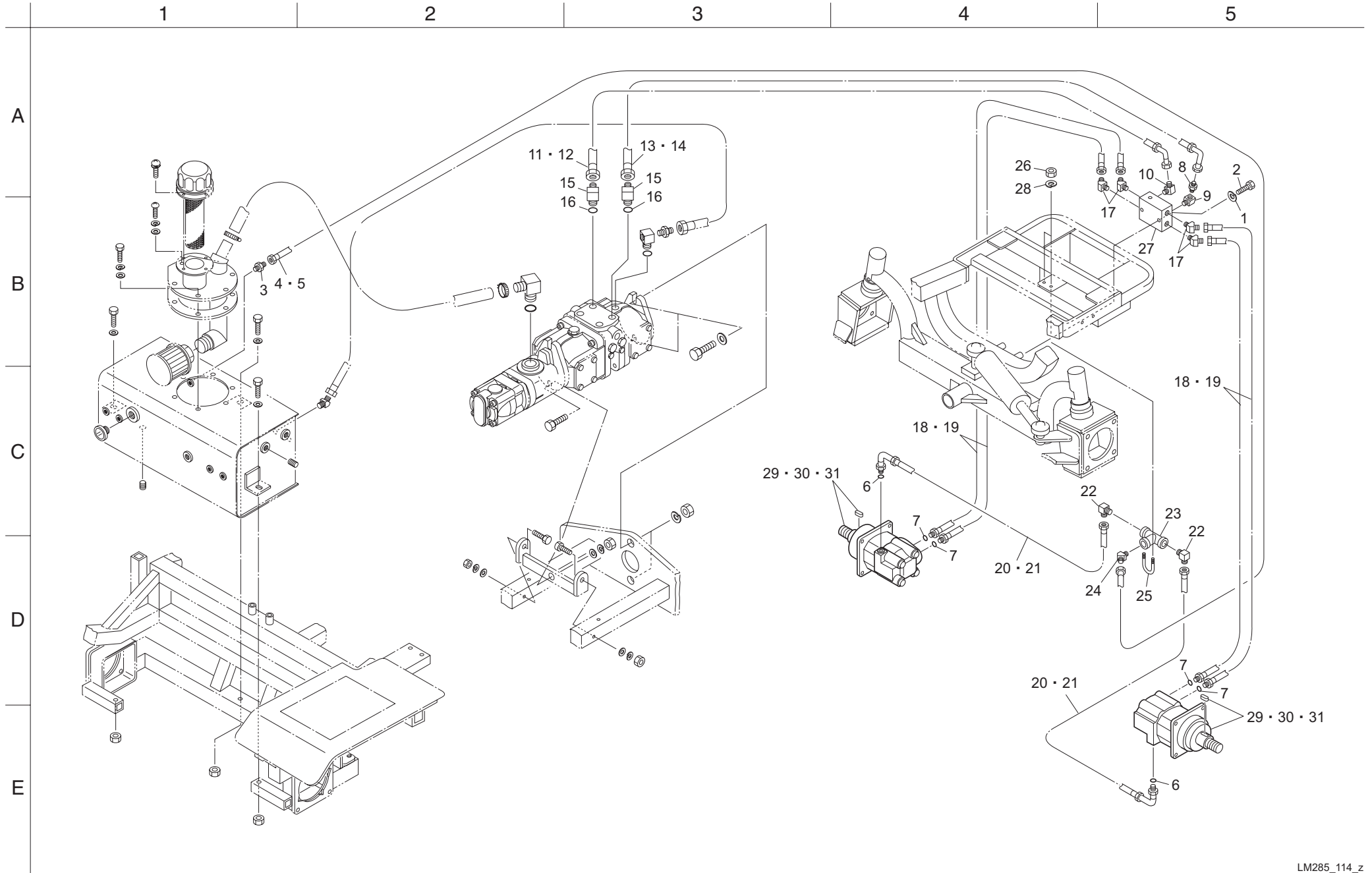
113. Hydraulic parts C (Front wheel motor system)



| Cat No. | Code No.        | Part name              | Qty | Remark | SN of application |
|---------|-----------------|------------------------|-----|--------|-------------------|
| 113-71  | LM285--0786Z2-Y | PIPE, PUMP 132         | 1   |        |                   |
| 113-72  | K3026622121-Y   | CONNECTOR, KCT 22-060E | 2   |        |                   |
| 113-73  | K3026622081-Y   | CONNECTOR, KCT 22-040E | 2   |        |                   |
| 113-74  | K3026615081-Y   | CONNECTOR, KCT 15-040E | 4   |        |                   |
| 113-75  | LM285--0781Z2-Y | PIPE, MOTOR B (L)      | 1   |        |                   |
| 113-76  | LM285--0782Z2-Y | PIPE, MOTOR A (L)      | 1   |        |                   |
| 113-77  | LM285--0784Z2-Y | PIPE, MOTOR A (R)      | 1   |        |                   |
| 113-78  | LM285--0783Z2-Y | PIPE, MOTOR B (R)      | 1   |        |                   |
| 113-79  | K3026315081-Y   | CONNECTOR, KCO 15-040E | 4   |        |                   |
| 113-80  | K0003080552     | BOLT, M8-55            | 2   |        |                   |
|         |                 |                        |     |        |                   |
|         |                 |                        |     |        |                   |
|         |                 |                        |     |        |                   |
|         |                 |                        |     |        |                   |
|         |                 |                        |     |        |                   |
|         |                 |                        |     |        |                   |
|         |                 |                        |     |        |                   |

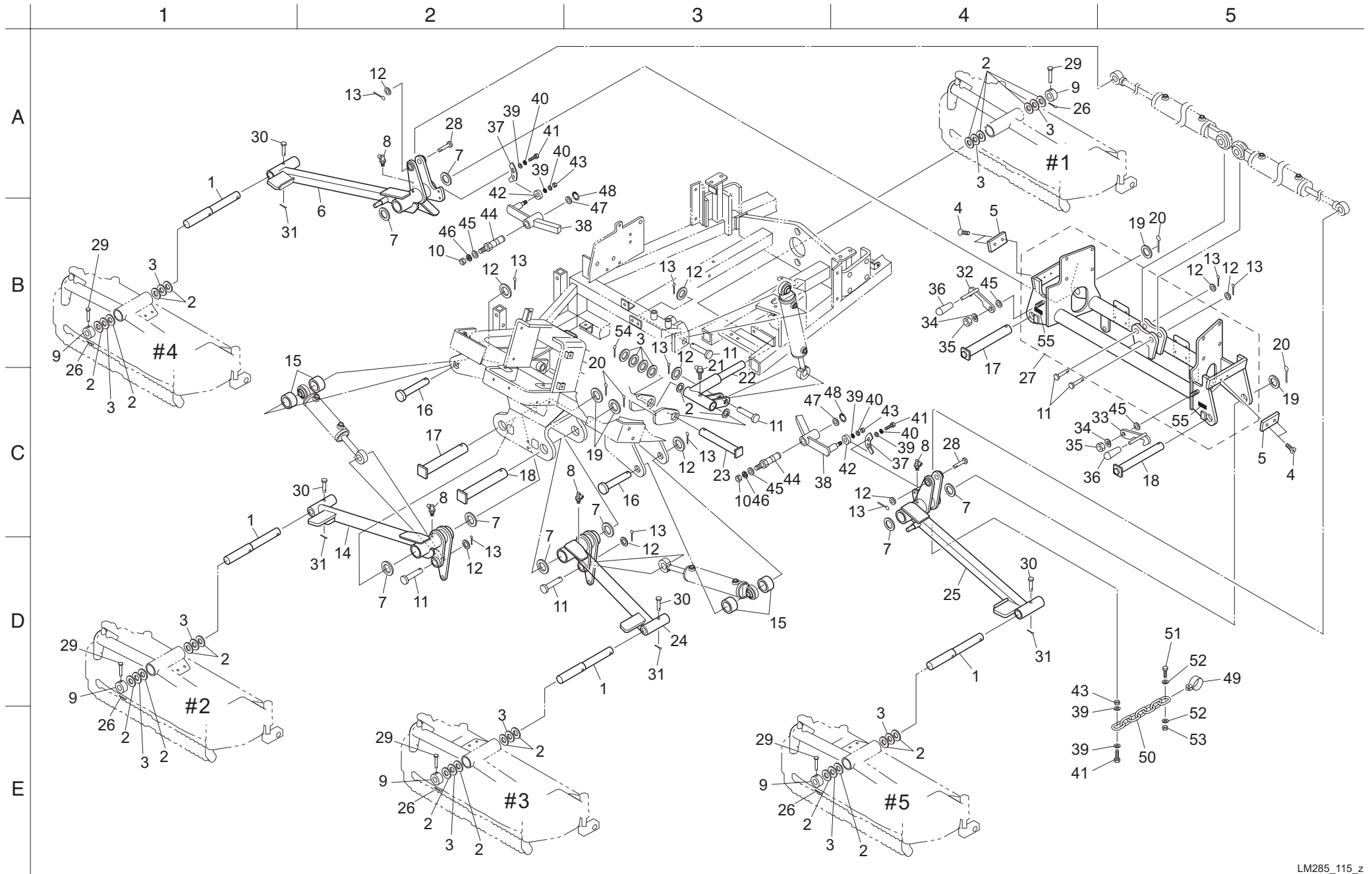
| Cat No. | Code No. | Part name | Qty | Remark | SN of application |
|---------|----------|-----------|-----|--------|-------------------|
|         |          |           |     |        |                   |
|         |          |           |     |        |                   |
|         |          |           |     |        |                   |
|         |          |           |     |        |                   |
|         |          |           |     |        |                   |
|         |          |           |     |        |                   |
|         |          |           |     |        |                   |
|         |          |           |     |        |                   |
|         |          |           |     |        |                   |

114. Hydraulic parts C (Rear wheel motor system)



| Cat No. | Code No.      | Part name                          | Qty | Remark | SN of application | Cat No. | Code No. | Part name | Qty | Remark | SN of application |
|---------|---------------|------------------------------------|-----|--------|-------------------|---------|----------|-----------|-----|--------|-------------------|
| 114-1   | K0200080002   | WASHER, SPRING M8                  | 2   |        |                   |         |          |           |     |        |                   |
| 114-2   | K0003080552   | BOLT, M8-55                        | 2   |        |                   |         |          |           |     |        |                   |
| 114-3   | K3007000022-Y | ADAPTOR, ODD SIZED PT1/2*PF3/8     | 1   |        |                   |         |          |           |     |        |                   |
| 114-4   | K3101311750   | HOSE, WP70-9-1-1750                | 1   |        |                   |         |          |           |     |        |                   |
| 114-5   | K3190015500   | TUBE, SPIRAL SP-12 1550            | 1   |        |                   |         |          |           |     |        |                   |
| 114-6   | K0881011000   | O-RING, P11B                       | 2   |        |                   |         |          |           |     |        |                   |
| 114-7   | K0881018000   | O-RING, P18B                       | 4   |        |                   |         |          |           |     |        |                   |
| 114-8   | K3007000012-Y | ADAPTOR, ODD SIZED PT1/2*PF3/4     | 1   |        |                   |         |          |           |     |        |                   |
| 114-9   | K3022080002-Y | ELBOW, FEMALE-MALE STE PT1/2       | 1   |        |                   |         |          |           |     |        |                   |
| 114-10  | K3006000122-Y | ELBOW, ODD SIZED PT1/2*PF3/4       | 1   |        |                   |         |          |           |     |        |                   |
| 114-11  | K3104531010   | HOSE, WP175-15-3-1010              | 1   |        |                   |         |          |           |     |        |                   |
| 114-12  | K3192008150   | TUBE, SPIRAL SP-20 815             | 1   |        |                   |         |          |           |     |        |                   |
| 114-13  | K3104531050   | HOSE, WP175-15-3-1050              | 1   |        |                   |         |          |           |     |        |                   |
| 114-14  | K3192008950   | TUBE, SPIRAL SP-20 895             | 1   |        |                   |         |          |           |     |        |                   |
| 114-15  | K3008000162-Y | ADAPTOR, 90 DEG UNF                | 2   |        |                   |         |          |           |     |        |                   |
| 114-16  | K0887009100   | O-RING, AS568-910                  | 2   |        |                   |         |          |           |     |        |                   |
| 114-17  | K3003120002-Y | ELBOW, 45 DEG 1035-12              | 4   |        |                   |         |          |           |     |        |                   |
| 114-18  | K3145000410   | HOSE, IB175-650                    | 4   |        |                   |         |          |           |     |        |                   |
| 114-19  | K3191005150   | TUBE, SPIRAL SP-15 515             | 4   |        |                   |         |          |           |     |        |                   |
| 114-20  | K3145000260   | HOSE, SSC35-770                    | 2   |        |                   |         |          |           |     |        |                   |
| 114-21  | K3190006750   | TUBE, SPIRAL SP-12 675             | 2   |        |                   |         |          |           |     |        |                   |
| 114-22  | K3006000012-Y | ELBOW, ODD SIZED PT3/8*PF1/4       | 2   |        |                   |         |          |           |     |        |                   |
| 114-23  | K3021060002-Y | TEE, TEF PT3/8                     | 1   |        |                   |         |          |           |     |        |                   |
| 114-24  | K3003090002-Y | ELBOW, 45 DEG 1035-9               | 1   |        |                   |         |          |           |     |        |                   |
| 114-25  | K0073000022   | BOLT, WITH F-RING, M6-40           | 1   |        |                   |         |          |           |     |        |                   |
| 114-26  | K0100060002   | NUT, M6                            | 2   |        |                   |         |          |           |     |        |                   |
| 114-27  | K3321000020   | MANIFOLD, WITH RELIEF VALVE        | 1   |        |                   |         |          |           |     |        |                   |
| 114-28  | K0200060002   | WASHER, SPRING M6                  | 2   |        |                   |         |          |           |     |        |                   |
| 114-29  | K3291000190   | MOTOR, WHEEL 2-200BS4S             | 2   |        |                   |         |          |           |     |        |                   |
| 114-30  | Y61090S       | SEAL KIT, 2000 ORBIT MOTOR (REAR)  | 2   |        |                   |         |          |           |     |        |                   |
| 114-31  | Y61091S       | SEAL KIT, 2000 ORBIT MOTOR (SHAFT) | 2   |        |                   |         |          |           |     |        |                   |

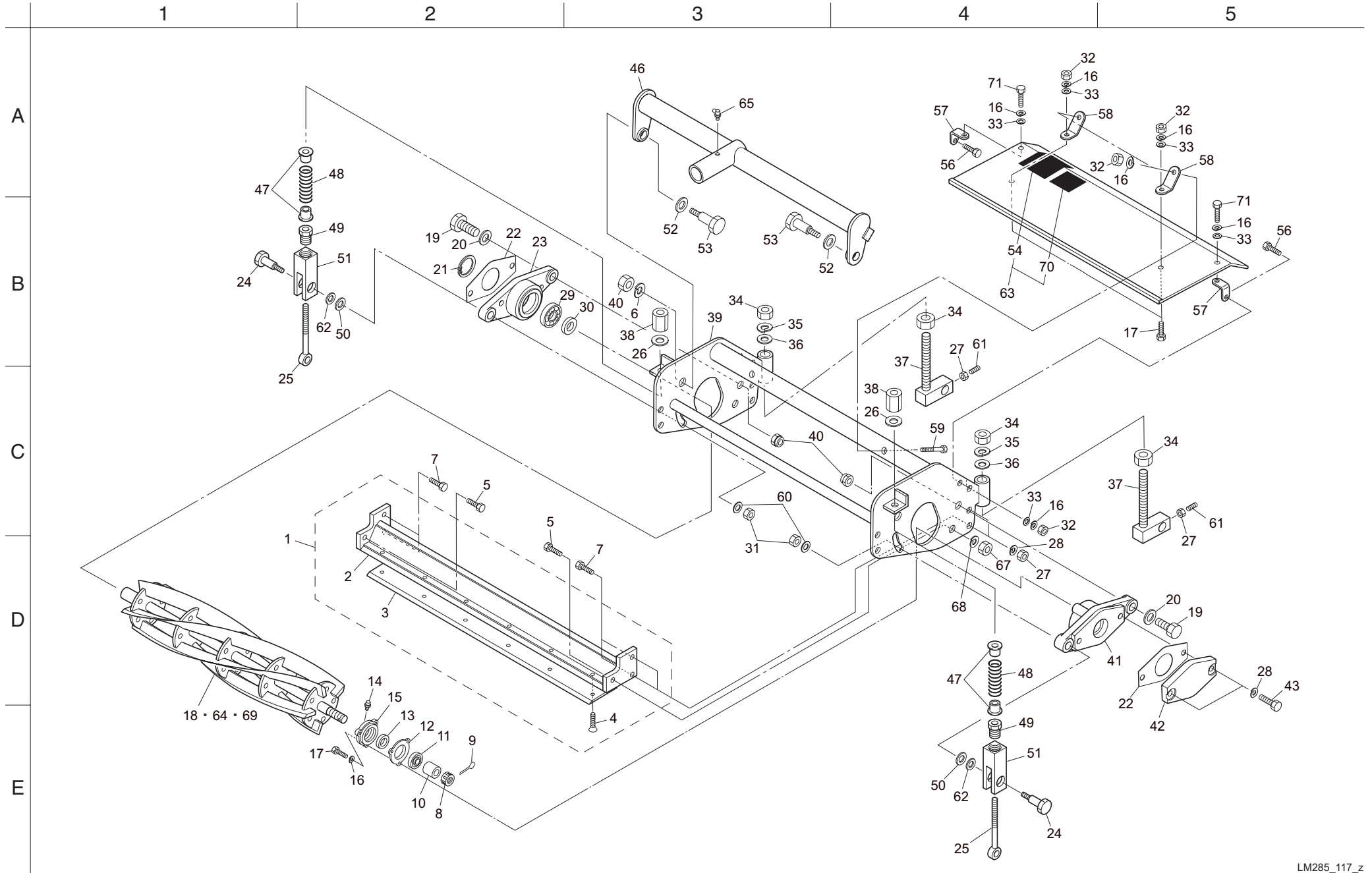
115. Mower lift arm parts/TYPE\_R





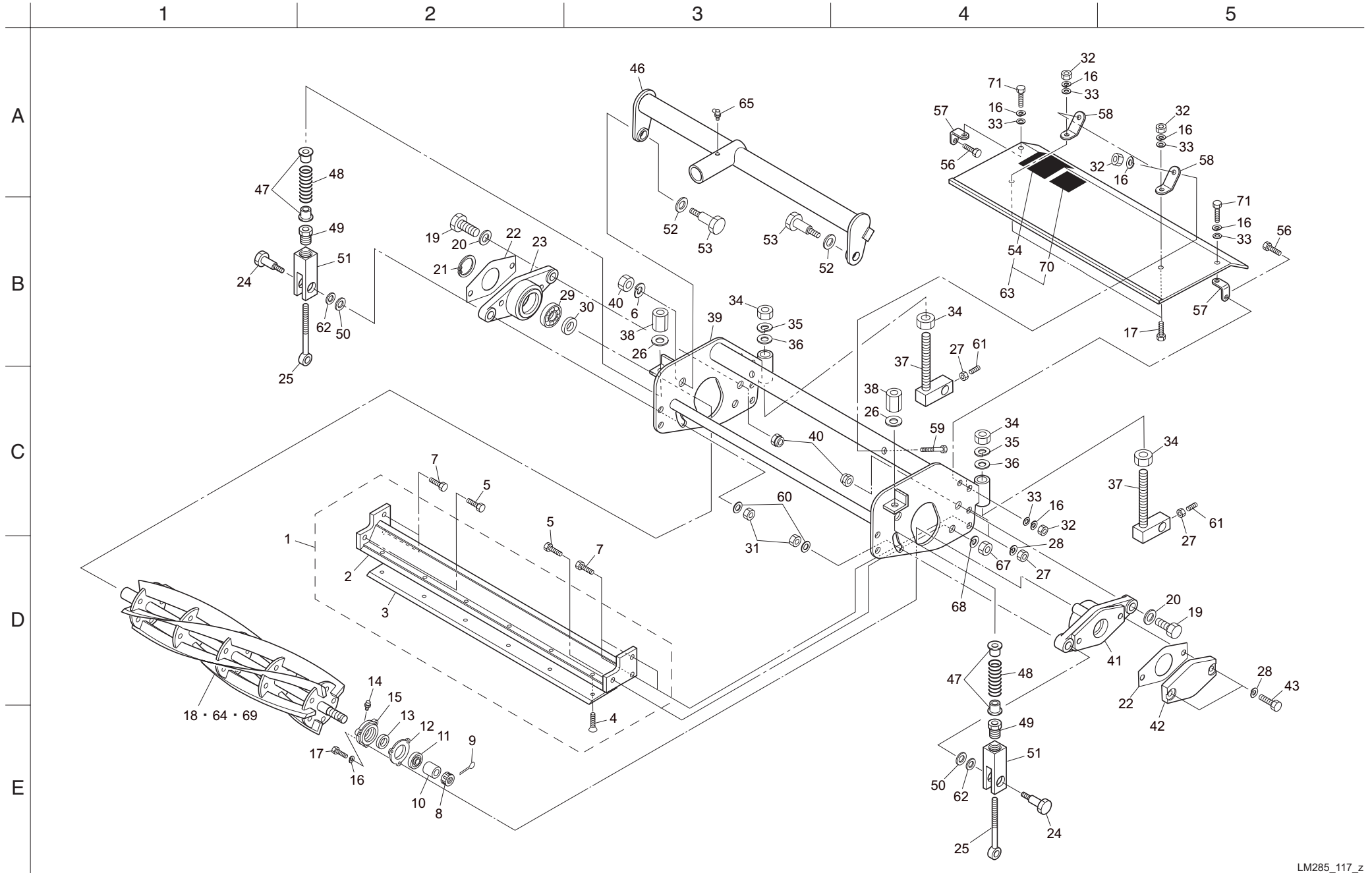
| Cat No. | Code No.      | Part name                        | Qty | Remark | SN of application | Cat No. | Code No.      | Part name                  | Qty | Remark | SN of application |
|---------|---------------|----------------------------------|-----|--------|-------------------|---------|---------------|----------------------------|-----|--------|-------------------|
| 115-1   | K6155000220   | SHAFT, STEPPED                   | 4   |        |                   | 115-36  | K1300000110   | GRIP, RUBBER YELLOW 9-22   | 2   |        |                   |
| 115-2   | K5051025370   | WASHER, C5191P 1-25.4-37         | 22  |        |                   | 115-37  | LM285--0208Z2 | CAM                        | 2   |        |                   |
| 115-3   | K5011025372   | WASHER, SPCC 1-25.4-37           | 14  |        |                   | 115-38  | LM285--0206ZD | LEVER, UNLOAD              | 2   |        |                   |
| 115-4   | K0041060152   | SCREW, + FLAT HEAD M6-15         | 4   |        |                   | 115-39  | K5000080002   | WASHER, M8                 | 10  |        |                   |
| 115-5   | K4033000380   | RUBBER, PLATE STOPPER            | 2   |        |                   | 115-40  | K0200080002   | WASHER, SPRING M8          | 6   |        |                   |
| 115-6   | LM285--0203BD | ARM, LIFTING (REAR RIGHT)        | 1   |        |                   | 115-41  | K0000080252   | BOLT, M8-25                | 6   |        |                   |
| 115-7   | K5051030420   | WASHER, C5191P 1-30-42           | 8   |        |                   | 115-42  | K0608006290   | BEARING, BALL SEAL 2RS 629 | 2   |        |                   |
| 115-8   | K1440000030   | GREASE NIPPLE, B TYPE            | 4   |        |                   | 115-43  | K0100080002   | NUT, M8                    | 4   |        |                   |
| 115-9   | K6215000142   | COLLAR, STKM WITH HOLE M26-32-15 | 5   |        |                   | 115-44  | K6123000112   | SHAFT, THREADED M14-95.5   | 2   |        |                   |
| 115-10  | K0103140002   | NUT, P1.5 M14                    | 2   |        |                   | 115-45  | K5000140002   | WASHER, M14                | 4   |        |                   |
| 115-11  | K6030200572   | PIN, FLAT HEAD M20-57            | 6   |        |                   | 115-46  | K0200140002   | WASHER, SPRING M14         | 2   |        |                   |
| 115-12  | K5012320402   | WASHER, SPCC 2.3-20-40           | 10  |        |                   | 115-47  | K5051016240   | WASHER, C5191P 1-16-24     | 2   |        |                   |
| 115-13  | K0300032402   | PIN, COTTER M3.2-40              | 10  |        |                   | 115-48  | K0400012002   | RING, RETAINING E M12      | 2   |        |                   |
| 115-14  | LM285--0205AD | ARM, LIFTING FRONT (R)           | 1   |        |                   | 115-49  | K4270035060   | CLIP, HARNESS 35 M6        | 2   |        |                   |
| 115-15  | K6212000372   | COLLAR, STKM M20.2-25.4-14.5     | 4   |        |                   | 115-50  | K4532000092   | CHAINS, GENERAL USE 4.8-7  | 2   |        |                   |
| 115-16  | LM318--0209Z2 | PIN, CYLINDER 84                 | 2   |        |                   | 115-51  | K0000060252   | BOLT, M6-25                | 2   |        |                   |
| 115-17  | K7147000232   | PIN, WITH HOLE M30-197           | 2   |        |                   | 115-52  | K5012306162   | WASHER, SPCC 2.3-6-16      | 4   |        |                   |
| 115-18  | LM318--0221Z2 | SHAFT, MOWER ARM (FRONT L)       | 2   |        |                   | 115-53  | K0144060002   | NUT, WITH F-RING, M6       | 2   |        |                   |
| 115-19  | K5012330452   | WASHER, SPCC 2.3-30-45           | 4   |        |                   | 115-54  | K0300040322   | PIN, COTTER M4-32          | 1   |        |                   |
| 115-20  | K0300040502   | PIN, COTTER M4-50                | 4   |        |                   | 115-55  | K4205001900   | DECAL, CAUTION MOWER LOCK  | 2   |        |                   |
| 115-21  | K1440000020   | GREASE NIPPLE, C TYPE            | 1   |        |                   |         |               |                            |     |        |                   |
| 115-22  | LM318--0220AD | ARM, LIFT (REAR)                 | 1   |        |                   |         |               |                            |     |        |                   |
| 115-23  | K7147000242   | PIN, WITH HOLE M25.4-160         | 1   |        |                   |         |               |                            |     |        |                   |
| 115-24  | LM285--0204AD | ARM, LIFTING FRONT (L)           | 1   |        |                   |         |               |                            |     |        |                   |
| 115-25  | LM285--0202BD | ARM, LIFTING (REAR LEFT)         | 1   |        |                   |         |               |                            |     |        |                   |
| 115-26  | K0340800002   | PIN, SNAP WITH RETAINER M8       | 5   |        |                   |         |               |                            |     |        |                   |
| 115-27  | LM285--0220Z0 | FRAME, ARM WITH DECAL            | 1   |        |                   |         |               |                            |     |        |                   |
| 115-28  | K6030200802   | PIN, FLAT HEAD M20-80            | 2   |        |                   |         |               |                            |     |        |                   |
| 115-29  | K6040080402   | PIN, ROUND HEAD M8-40            | 5   |        |                   |         |               |                            |     |        |                   |
| 115-30  | K6041080488   | PIN, ROUND HEAD HT M8-48.5       | 4   |        |                   |         |               |                            |     |        |                   |
| 115-31  | K0300032252   | PIN, COTTER M3.2-25              | 4   |        |                   |         |               |                            |     |        |                   |
| 115-32  | LM285--0210ZD | LEVER, LOCKING B                 | 1   |        |                   |         |               |                            |     |        |                   |
| 115-33  | LM285--0209ZD | LEVER, LOCKING A                 | 1   |        |                   |         |               |                            |     |        |                   |
| 115-34  | K0210140002   | SPRING, CONICAL DISC L M14       | 2   |        |                   |         |               |                            |     |        |                   |
| 115-35  | K0145140002   | NUT, WITH F-RING, P1.5 M14       | 2   |        |                   |         |               |                            |     |        |                   |

117. Mower parts/TYPE\_R (#1)



| Cat No. | Code No.    | Part name                         | Qty | Remark   | SN of application | Cat No. | Code No.      | Part name                         | Qty | Remark   | SN of application |
|---------|-------------|-----------------------------------|-----|----------|-------------------|---------|---------------|-----------------------------------|-----|----------|-------------------|
| 117-1   | K8022000020 | BASE & BEDKNIFE ASSY              | 1   |          |                   | 117-36  | K5012018282   | WASHER, SPCC 2-18-28              | 2   |          |                   |
| 117-2   | K744200006R | BASE, BEDKNIFE 732                | 1   |          |                   | 117-37  | LM526A-0108Z2 | SCREW, ADJUSTING CUTTING HEIGHT   | 2   |          |                   |
| 117-3   | K2510000030 | BEDKNIFE (BOTTOM BLADE), 7-85-662 | 1   |          |                   | 117-38  | K0160000032   | NUT, ADJUSTING BED-KNIFE P1 M10   | 2   |          |                   |
| 117-4   | K0071001182 | SCREW, HT FLAT HEAD M10-16        | 6   |          |                   | 117-39  | K705200006R   | FRAME, MOWER                      | 1   |          |                   |
| 117-5   | K0000120302 | BOLT, M12-30                      | 2   |          |                   | 117-40  | K0105140002   | NUT, P1.5 M14-3                   | 4   |          |                   |
| 117-6   | K0200140002 | WASHER, SPRING M14                | 2   |          |                   | 117-41  | K6903000212   | HOUSING, REEL CUTTER              | 1   |          |                   |
| 117-7   | K0000100252 | BOLT, M10-25                      | 4   |          |                   | 117-42  | K690300017D   | COVER, REEL HOUSING               | 1   |          |                   |
| 117-8   | K0170000012 | NUT, SPECIAL M20                  | 1   |          |                   | 117-43  | K0000100452   | BOLT, M10-45                      | 2   |          |                   |
| 117-9   | K0300032252 | PIN, COTTER M3.2-25               | 1   |          |                   | 117-44  |               |                                   |     |          |                   |
| 117-10  | K6212001742 | COLLAR, STKM M20.2-28-18          | 1   |          |                   | 117-45  |               |                                   |     |          |                   |
| 117-11  | K0602063040 | BEARING, BALL SHIELD Z 6304       | 1   |          |                   | 117-46  | LM282--0158ZR | FRAME, REAR MOWER                 | 1   | #1MOWER  |                   |
| 117-12  | K4011000150 | PACKING, OIL-SHEET                | 1   |          |                   | 117-47  | K6206000052   | RECEIVER, FOR SPRING              | 4   |          |                   |
| 117-13  | K0822542080 | OIL SEAL, MHSA25428               | 1   |          |                   | 117-48  | K1000000458   | SPRING, COMPRESSION M5-25-60      | 2   |          |                   |
| 117-14  | K1440000010 | GREASE NIPPLE, A TYPE             | 1   |          |                   | 117-49  | K6081000082   | PIPE, WITH CUTTER ADJUSTING SCREW | 2   |          |                   |
| 117-15  | K6903000042 | CAP, HOUSING                      | 1   |          |                   | 117-50  | K5012310172   | WASHER, SPCC 2.3-10-17            | 2   |          |                   |
| 117-16  | K0200060002 | WASHER, SPRING M6                 | 11  |          |                   | 117-51  | K6090000552   | MOUNT, ADJUSTING SCREW            | 2   |          |                   |
| 117-17  | K0000060152 | BOLT, M6-15                       | 5   |          |                   | 117-52  | K5011020282   | WASHER, SPCC 1-20-28              | 2   |          |                   |
| 117-18  | K285260R90R | REEL CUTTER (CYLINDER), 660-9R    | 1   | 9 Blades |                   | 117-53  | K6082000132   | BOLT, STEPPED FOR FIXING FRAME    | 2   |          |                   |
| 117-19  | K0071001132 | BOLT, AXIS                        | 2   |          |                   | 117-54  | K4205001600   | DECAL, CAUTION TO MUTILATION      | 1   |          |                   |
| 117-20  | K5012314252 | WASHER, SPCC 2.3-14-25            | 2   |          |                   | 117-55  |               |                                   |     |          |                   |
| 117-21  | K0402072001 | RING, RETAINING R M72             | 1   |          |                   | 117-56  | K0000060202   | BOLT, M6-20                       | 2   |          |                   |
| 117-22  | K4011000290 | PACKING, OIL-SHEET                | 2   |          |                   | 117-57  | K5206000522   | PLATE, FOR FIXING COVER           | 2   |          |                   |
| 117-23  | K6903000202 | HOUSING, HYDRAULIC MOTOR B        | 1   |          |                   | 117-58  | K527600041R   | PLATE, FOR FIXING COVER           | 2   |          |                   |
| 117-24  | K6082000122 | BOLT, STEPPED FOR FIXING HOUSING  | 2   |          |                   | 117-59  | K0000060502   | BOLT, M6-50                       | 2   |          |                   |
| 117-25  | K7303000182 | BOLT, ADJUSTING CUTTER            | 2   |          |                   | 117-60  | K5073210242   | WASHER, SPHC 3.2-10-24            | 2   |          |                   |
| 117-26  | K5051010160 | WASHER, C5191P 1-10-16            | 2   |          |                   | 117-61  | K0023100251   | SETSCREW, M10-25                  | 2   |          |                   |
| 117-27  | K0100100002 | NUT, M10                          | 6   |          |                   | 117-62  | K0214100002   | WASHER, DISK SPRING L M10-2       | 2   |          |                   |
| 117-28  | K0200100002 | WASHER, SPRING M10                | 6   |          |                   | 117-63  | LM282--0140A0 | COVER, REEL WITH STICKER (REAR)   | 1   | #1MOWER  |                   |
| 117-29  | K0602062070 | BEARING, BALL SHIELD Z 6207       | 1   |          |                   | 117-64  | K285260R70R   | REEL CUTTER (CYLINDER), 660-7R    | 1   | 7 Blades |                   |
| 117-30  | K0823560120 | OIL SEAL, MHSA356012              | 1   |          |                   | 117-65  | K1440000020   | GREASE NIPPLE, C TYPE             | 1   |          |                   |
| 117-31  | K0145100002 | NUT, WITH F-RING, P1.25 M10       | 2   |          |                   | 117-66  |               |                                   |     |          |                   |
| 117-32  | K0100060002 | NUT, M6                           | 6   |          |                   | 117-67  | K0100120002   | NUT, M12                          | 2   |          |                   |
| 117-33  | K5000060002 | WASHER, M6                        | 6   |          |                   | 117-68  | K0200120002   | WASHER, SPRING M12                | 2   |          |                   |
| 117-34  | K0108180002 | NUT, P1.5 M18-3                   | 4   |          |                   | 117-69  | K285260R50R   | REEL CUTTER (CYLINDER), 660-5R    | 1   | 5 Blades |                   |
| 117-35  | K0200180002 | WASHER, SPRING M18                | 2   |          |                   | 117-70  | K4205001650   | DECAL, CAUTION TO FRYING OBJECT   | 1   |          |                   |

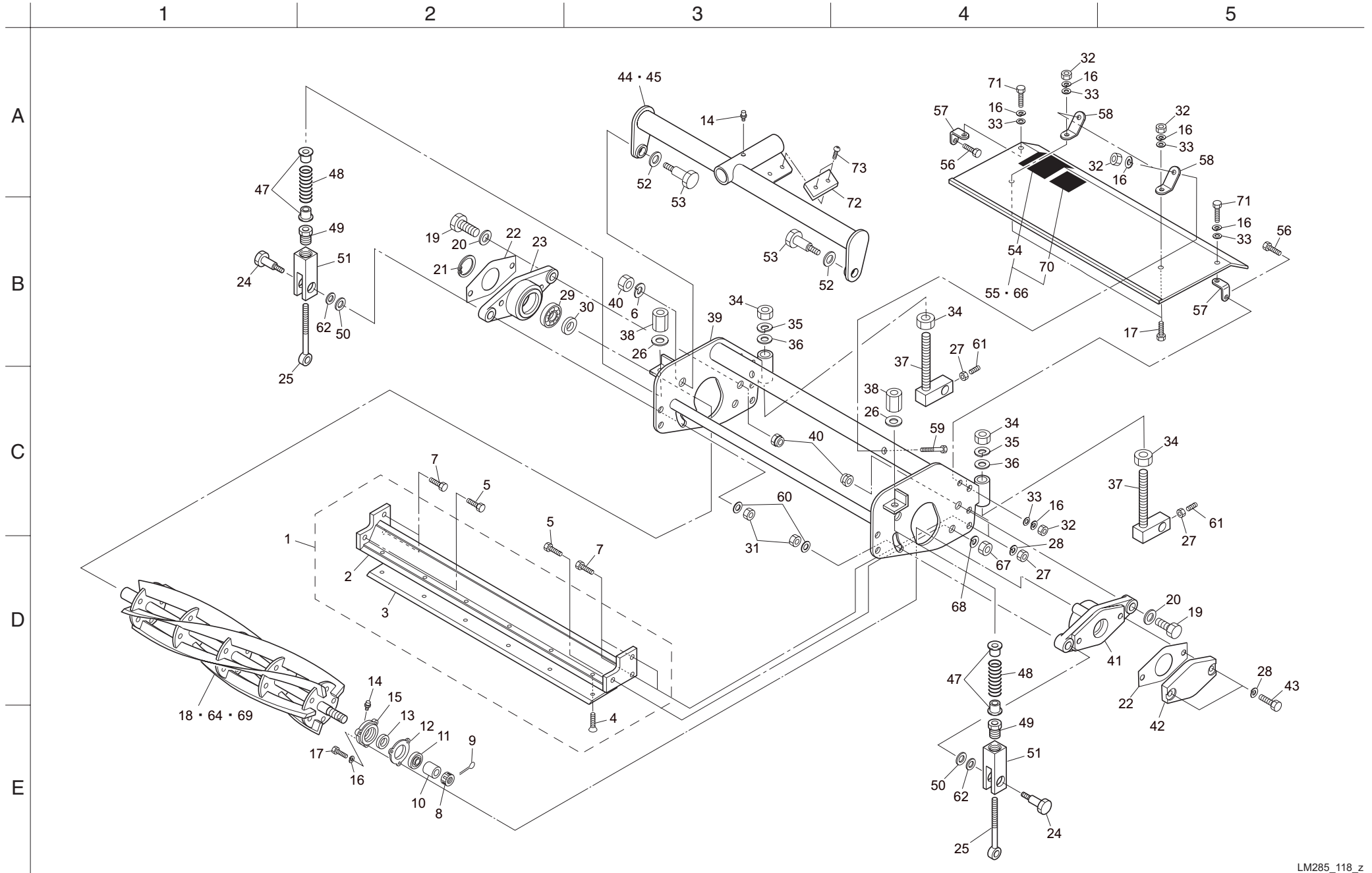
117. Mower parts/TYPE\_R (#1)



| Cat No.                    | Code No.    | Part name   | Qty | Remark | SN of application |
|----------------------------|-------------|-------------|-----|--------|-------------------|
| 117-71<br>117-72<br>117-73 | K0000060102 | BOLT, M6-10 | 2   |        |                   |
|                            |             |             |     |        |                   |
|                            |             |             |     |        |                   |
|                            |             |             |     |        |                   |
|                            |             |             |     |        |                   |
|                            |             |             |     |        |                   |
|                            |             |             |     |        |                   |
|                            |             |             |     |        |                   |
|                            |             |             |     |        |                   |
|                            |             |             |     |        |                   |

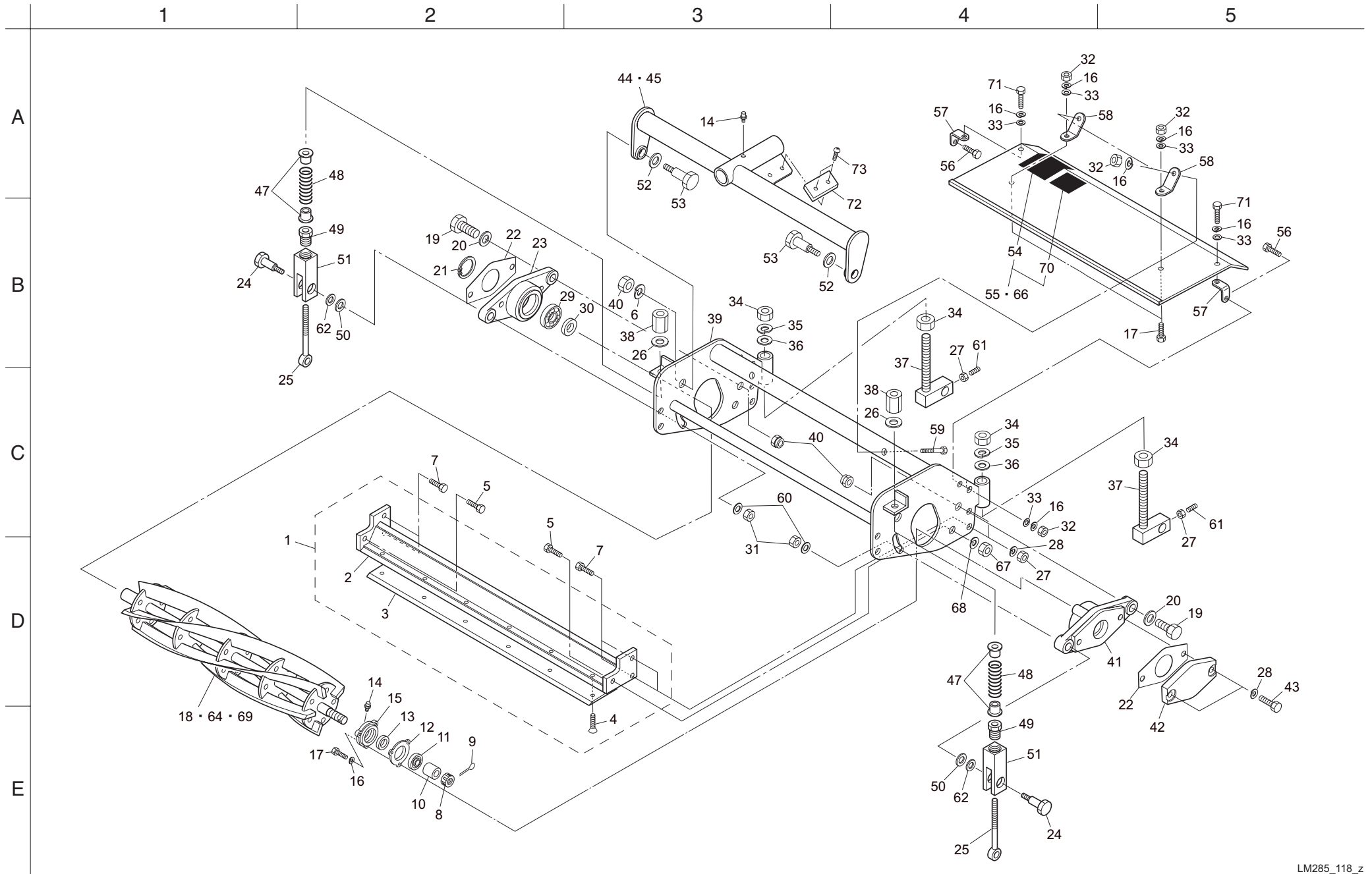
| Cat No. | Code No. | Part name | Qty | Remark | SN of application |
|---------|----------|-----------|-----|--------|-------------------|
|         |          |           |     |        |                   |
|         |          |           |     |        |                   |
|         |          |           |     |        |                   |
|         |          |           |     |        |                   |
|         |          |           |     |        |                   |
|         |          |           |     |        |                   |
|         |          |           |     |        |                   |
|         |          |           |     |        |                   |
|         |          |           |     |        |                   |
|         |          |           |     |        |                   |

118. Mower parts/TYPE\_R (#2•#5)



| Cat No. | Code No.    | Part name                         | Qty | Remark   | SN of application | Cat No. | Code No.      | Part name                         | Qty | Remark   | SN of application |
|---------|-------------|-----------------------------------|-----|----------|-------------------|---------|---------------|-----------------------------------|-----|----------|-------------------|
| 118-1   | K8022000020 | BASE & BEDKNIFE ASSY              | 1   |          |                   | 118-36  | K5012018282   | WASHER, SPCC 2-18-28              | 2   |          |                   |
| 118-2   | K744200006R | BASE, BEDKNIFE 732                | 1   |          |                   | 118-37  | LM526A-0108Z2 | SCREW, ADJUSTING CUTTING HEIGHT   | 2   |          |                   |
| 118-3   | K2510000030 | BEDKNIFE (BOTTOM BLADE), 7-85-662 | 1   |          |                   | 118-38  | K0160000032   | NUT, ADJUSTING BED-KNIFE P1 M10   | 2   |          |                   |
| 118-4   | K0071001182 | SCREW, HT FLAT HEAD M10-16        | 6   |          |                   | 118-39  | K705200006R   | FRAME, MOWER                      | 1   |          |                   |
| 118-5   | K0000120302 | BOLT, M12-30                      | 2   |          |                   | 118-40  | K0105140002   | NUT, P1.5 M14-3                   | 4   |          |                   |
| 118-6   | K0200140002 | WASHER, SPRING M14                | 2   |          |                   | 118-41  | K6903000212   | HOUSING, REEL CUTTER              | 1   |          |                   |
| 118-7   | K0000100252 | BOLT, M10-25                      | 4   |          |                   | 118-42  | K690300017D   | COVER, REEL HOUSING               | 1   |          |                   |
| 118-8   | K0170000012 | NUT, SPECIAL M20                  | 1   |          |                   | 118-43  | K0000100452   | BOLT, M10-45                      | 2   |          |                   |
| 118-9   | K0300032252 | PIN, COTTER M3.2-25               | 1   |          |                   | 118-44  | LM285--0102ZR | ARM, MOWER #2 #4                  | 1   | #2MOWER  |                   |
| 118-10  | K6212001742 | COLLAR, STKM M20.2-28-18          | 1   |          |                   | 118-45  | LM285--0101ZR | ARM, MOWER #3 #5                  | 1   | #5MOWER  |                   |
| 118-11  | K0602063040 | BEARING, BALL SHIELD Z 6304       | 1   |          |                   | 118-46  |               |                                   |     |          |                   |
| 118-12  | K4011000150 | PACKING, OIL-SHEET                | 1   |          |                   | 118-47  | K6206000052   | RECEIVER, FOR SPRING              | 4   |          |                   |
| 118-13  | K0822542080 | OIL SEAL, MHSA25428               | 1   |          |                   | 118-48  | K1000000458   | SPRING, COMPRESSION M5-25-60      | 2   |          |                   |
| 118-14  | K1440000010 | GREASE NIPPLE, A TYPE             | 4   |          |                   | 118-49  | K6081000082   | PIPE, WITH CUTTER ADJUSTING SCREW | 2   |          |                   |
| 118-15  | K6903000042 | CAP, HOUSING                      | 1   |          |                   | 118-50  | K5012310172   | WASHER, SPCC 2.3-10-17            | 2   |          |                   |
| 118-16  | K0200060002 | WASHER, SPRING M6                 | 11  |          |                   | 118-51  | K6090000552   | MOUNT, ADJUSTING SCREW            | 2   |          |                   |
| 118-17  | K0000060152 | BOLT, M6-15                       | 5   |          |                   | 118-52  | K5011020282   | WASHER, SPCC 1-20-28              | 2   |          |                   |
| 118-18  | K285260R90R | REEL CUTTER (CYLINDER), 660-9R    | 1   | 9 Blades |                   | 118-53  | K6082000132   | BOLT, STEPPED FOR FIXING FRAME    | 2   |          |                   |
| 118-19  | K0071001132 | BOLT, AXIS                        | 2   |          |                   | 118-54  | K4205001600   | DECAL, CAUTION TO MUTILATION      | 1   |          |                   |
| 118-20  | K5012314252 | WASHER, SPCC 2.3-14-25            | 2   |          |                   | 118-55  | K9010000110   | COVER, FOR REEL WITH DECAL (LEFT) | 1   | #2MOWER  |                   |
| 118-21  | K0402072001 | RING, RETAINING R M72             | 1   |          |                   | 118-56  | K0000060202   | BOLT, M6-20                       | 2   |          |                   |
| 118-22  | K4011000290 | PACKING, OIL-SHEET                | 2   |          |                   | 118-57  | K5206000522   | PLATE, FOR FIXING COVER           | 2   |          |                   |
| 118-23  | K6903000202 | HOUSING, HYDRAULIC MOTOR B        | 1   |          |                   | 118-58  | K527600041R   | PLATE, FOR FIXING COVER           | 2   |          |                   |
| 118-24  | K6082000122 | BOLT, STEPPED FOR FIXING HOUSING  | 2   |          |                   | 118-59  | K0000060502   | BOLT, M6-50                       | 2   |          |                   |
| 118-25  | K7303000182 | BOLT, ADJUSTING CUTTER            | 2   |          |                   | 118-60  | K5073210242   | WASHER, SPHC 3.2-10-24            | 2   |          |                   |
| 118-26  | K5051010160 | WASHER, C5191P 1-10-16            | 2   |          |                   | 118-61  | K0023100251   | SETSCREW, M10-25                  | 2   |          |                   |
| 118-27  | K0100100002 | NUT, M10                          | 6   |          |                   | 118-62  | K0214100002   | WASHER, DISK SPRING L M10-2       | 2   |          |                   |
| 118-28  | K0200100002 | WASHER, SPRING M10                | 6   |          |                   | 118-63  |               |                                   |     |          |                   |
| 118-29  | K0602062070 | BEARING, BALL SHIELD Z 6207       | 1   |          |                   | 118-64  | K285260R70R   | REEL CUTTER (CYLINDER), 660-7R    | 1   | 7 Blades |                   |
| 118-30  | K0823560120 | OIL SEAL, MHSA356012              | 1   |          |                   | 118-65  |               |                                   |     |          |                   |
| 118-31  | K0145100002 | NUT, WITH F-RING, P1.25 M10       | 2   |          |                   | 118-66  | K9010000120   | COVER, FOR REEL WITH DECAL (R)    | 1   | #5MOWER  |                   |
| 118-32  | K0100060002 | NUT, M6                           | 6   |          |                   | 118-67  | K0100120002   | NUT, M12                          | 2   |          |                   |
| 118-33  | K5000060002 | WASHER, M6                        | 6   |          |                   | 118-68  | K0200120002   | WASHER, SPRING M12                | 2   |          |                   |
| 118-34  | K0108180002 | NUT, P1.5 M18-3                   | 4   |          |                   | 118-69  | K285260R50R   | REEL CUTTER (CYLINDER), 660-5R    | 1   | 5 Blades |                   |
| 118-35  | K0200180002 | WASHER, SPRING M18                | 2   |          |                   | 118-70  | K4205001650   | DECAL, CAUTION TO FRYING OBJECT   | 1   |          |                   |

118. Mower parts/TYPE\_R (#2•#5)

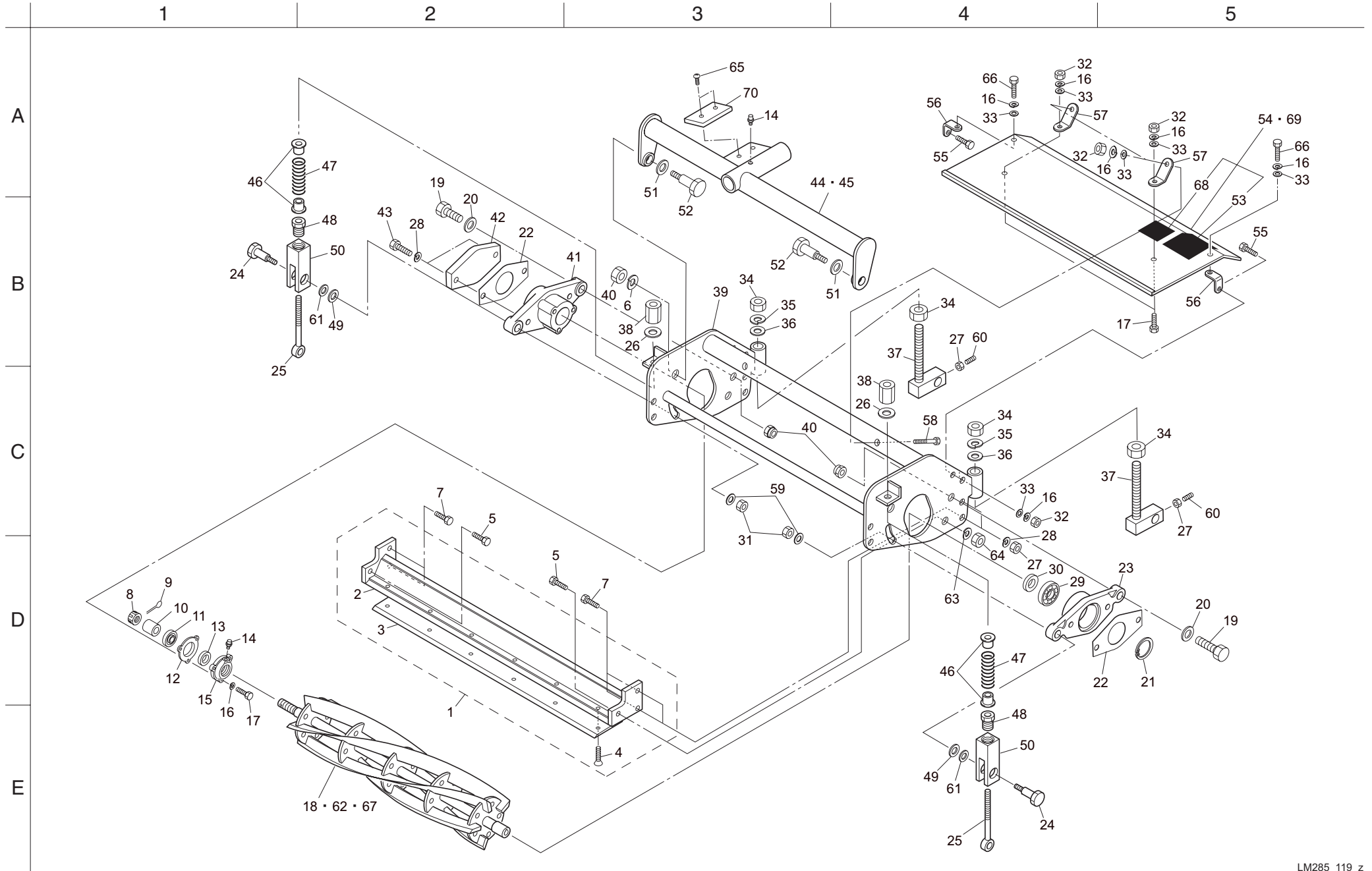




| Cat No. | Code No.    | Part name                | Qty | Remark | SN of application |
|---------|-------------|--------------------------|-----|--------|-------------------|
| 118-71  | K0000060102 | BOLT, M6-10              | 2   |        |                   |
| 118-72  | K4033000380 | RUBBER, PLATE STOPPER    | 1   |        |                   |
| 118-73  | K0041060152 | SCREW, + FLAT HEAD M6-15 | 2   |        |                   |
|         |             |                          |     |        |                   |
|         |             |                          |     |        |                   |
|         |             |                          |     |        |                   |
|         |             |                          |     |        |                   |
|         |             |                          |     |        |                   |
|         |             |                          |     |        |                   |
|         |             |                          |     |        |                   |
|         |             |                          |     |        |                   |
|         |             |                          |     |        |                   |
|         |             |                          |     |        |                   |
|         |             |                          |     |        |                   |
|         |             |                          |     |        |                   |

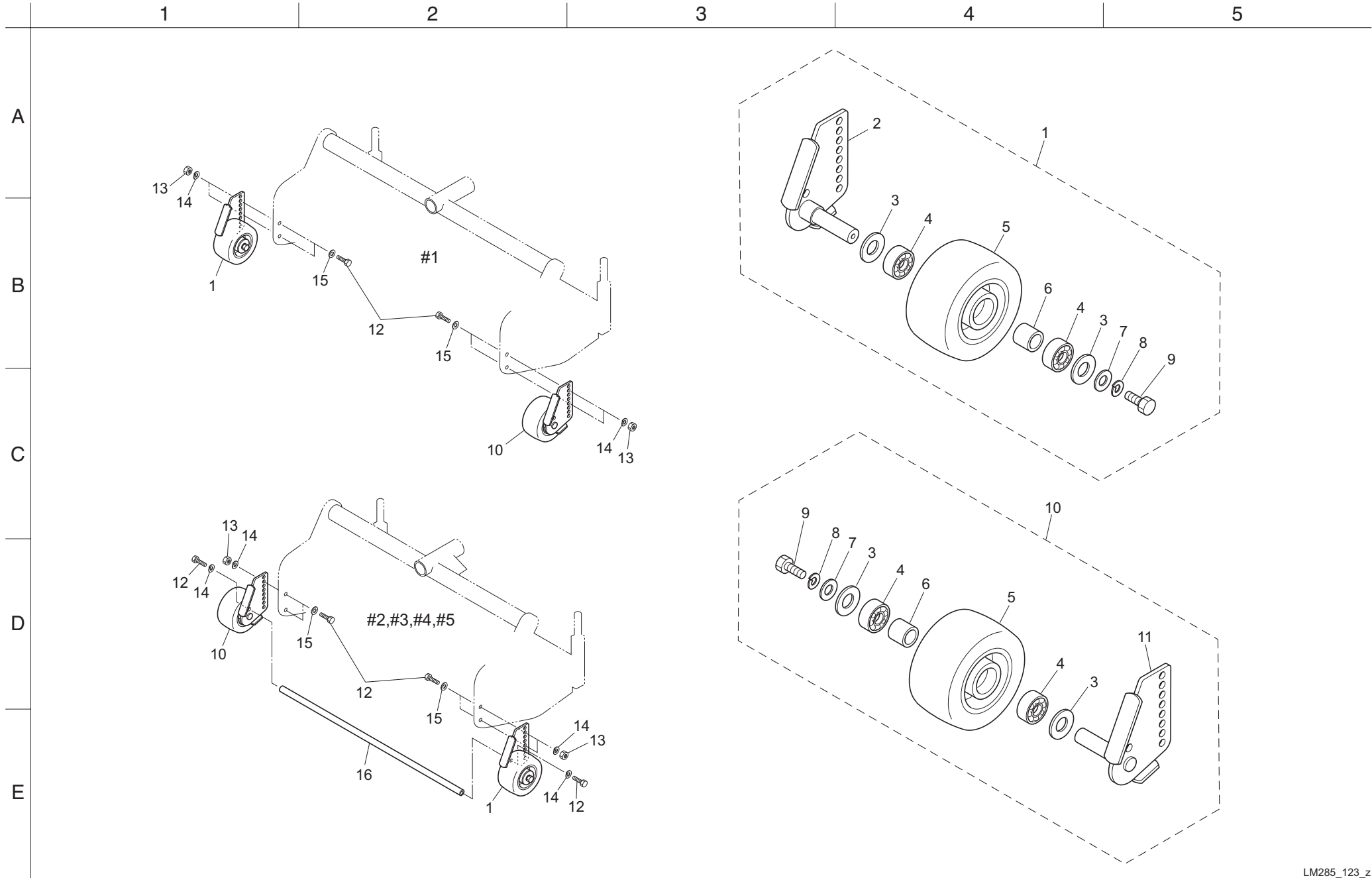
| Cat No. | Code No. | Part name | Qty | Remark | SN of application |
|---------|----------|-----------|-----|--------|-------------------|
|         |          |           |     |        |                   |
|         |          |           |     |        |                   |
|         |          |           |     |        |                   |
|         |          |           |     |        |                   |
|         |          |           |     |        |                   |
|         |          |           |     |        |                   |
|         |          |           |     |        |                   |
|         |          |           |     |        |                   |
|         |          |           |     |        |                   |
|         |          |           |     |        |                   |
|         |          |           |     |        |                   |
|         |          |           |     |        |                   |
|         |          |           |     |        |                   |
|         |          |           |     |        |                   |
|         |          |           |     |        |                   |

119. Mower parts/TYPE\_R (#3•#4)



| Cat No. | Code No.    | Part name                         | Qty | Remark   | SN of application | Cat No. | Code No.      | Part name                         | Qty | Remark   | SN of application |
|---------|-------------|-----------------------------------|-----|----------|-------------------|---------|---------------|-----------------------------------|-----|----------|-------------------|
| 119-1   | K8022000020 | BASE & BEDKNIFE ASSY              | 1   |          |                   | 119-36  | K5012018282   | WASHER, SPCC 2-18-28              | 2   |          |                   |
| 119-2   | K744200006R | BASE, BEDKNIFE 732                | 1   |          |                   | 119-37  | LM526A-0108Z2 | SCREW, ADJUSTING CUTTING HEIGHT   | 2   |          |                   |
| 119-3   | K2510000030 | BEDKNIFE (BOTTOM BLADE), 7-85-662 | 1   |          |                   | 119-38  | K0160000032   | NUT, ADJUSTING BED-KNIFE P1 M10   | 2   |          |                   |
| 119-4   | K0071001182 | SCREW, HT FLAT HEAD M10-16        | 6   |          |                   | 119-39  | K705200006R   | FRAME, MOWER                      | 1   |          |                   |
| 119-5   | K0000120302 | BOLT, M12-30                      | 2   |          |                   | 119-40  | K0105140002   | NUT, P1.5 M14-3                   | 4   |          |                   |
| 119-6   | K0200140002 | WASHER, SPRING M14                | 2   |          |                   | 119-41  | K6903000212   | HOUSING, REEL CUTTER              | 1   |          |                   |
| 119-7   | K0000100252 | BOLT, M10-25                      | 4   |          |                   | 119-42  | K690300017D   | COVER, REEL HOUSING               | 1   |          |                   |
| 119-8   | K0170000012 | NUT, SPECIAL M20                  | 1   |          |                   | 119-43  | K0000100452   | BOLT, M10-45                      | 2   |          |                   |
| 119-9   | K0300032252 | PIN, COTTER M3.2-25               | 1   |          |                   | 119-44  | LM285--0102ZR | ARM, MOWER #2 #4                  | 1   | #4MOWER  |                   |
| 119-10  | K6212001742 | COLLAR, STKM M20.2-28-18          | 1   |          |                   | 119-45  | LM285--0101ZR | ARM, MOWER #3 #5                  | 1   | #3MOWER  |                   |
| 119-11  | K0602063040 | BEARING, BALL SHIELD Z 6304       | 1   |          |                   | 119-46  | K6206000052   | RECEIVER, FOR SPRING              | 4   |          |                   |
| 119-12  | K4011000150 | PACKING, OIL-SHEET                | 1   |          |                   | 119-47  | K1000000458   | SPRING, COMPRESSION M5-25-60      | 2   |          |                   |
| 119-13  | K0822542080 | OIL SEAL, MHSA25428               | 1   |          |                   | 119-48  | K6081000082   | PIPE, WITH CUTTER ADJUSTING SCREW | 2   |          |                   |
| 119-14  | K1440000010 | GREASE NIPPLE, A TYPE             | 2   |          |                   | 119-49  | K5012310172   | WASHER, SPCC 2.3-10-17            | 2   |          |                   |
| 119-15  | K6903000042 | CAP, HOUSING                      | 1   |          |                   | 119-50  | K6090000552   | MOUNT, ADJUSTING SCREW            | 2   |          |                   |
| 119-16  | K0200060002 | WASHER, SPRING M6                 | 11  |          |                   | 119-51  | K5011020282   | WASHER, SPCC 1-20-28              | 2   |          |                   |
| 119-17  | K0000060152 | BOLT, M6-15                       | 5   |          |                   | 119-52  | K6082000132   | BOLT, STEPPED FOR FIXING FRAME    | 2   |          |                   |
| 119-18  | K285260L90R | REEL CUTTER (CYLINDER), 660-9L    | 1   | 9 Blades |                   | 119-53  | K4205001600   | DECAL, CAUTION TO MUTILATION      | 1   |          |                   |
| 119-19  | K0071001132 | BOLT, AXIS                        | 2   |          |                   | 119-54  | K9010000120   | COVER, FOR REEL WITH DECAL (R)    | 1   | #3MOWER  |                   |
| 119-20  | K5012314252 | WASHER, SPCC 2.3-14-25            | 2   |          |                   | 119-55  | K0000060202   | BOLT, M6-20                       | 2   |          |                   |
| 119-21  | K0402072001 | RING, RETAINING R M72             | 1   |          |                   | 119-56  | K5206000522   | PLATE, FOR FIXING COVER           | 2   |          |                   |
| 119-22  | K4011000290 | PACKING, OIL-SHEET                | 2   |          |                   | 119-57  | K527600041R   | PLATE, FOR FIXING COVER           | 2   |          |                   |
| 119-23  | K6903000192 | HOUSING, HYDRAULIC MOTOR A        | 1   |          |                   | 119-58  | K0000060502   | BOLT, M6-50                       | 2   |          |                   |
| 119-24  | K6082000122 | BOLT, STEPPED FOR FIXING HOUSING  | 2   |          |                   | 119-59  | K5073210242   | WASHER, SPHC 3.2-10-24            | 2   |          |                   |
| 119-25  | K7303000182 | BOLT, ADJUSTING CUTTER            | 2   |          |                   | 119-60  | K0023100251   | SETSCREW, M10-25                  | 2   |          |                   |
| 119-26  | K5051010160 | WASHER, C5191P 1-10-16            | 2   |          |                   | 119-61  | K0214100002   | WASHER, DISK SPRING L M10-2       | 2   |          |                   |
| 119-27  | K0100100002 | NUT, M10                          | 6   |          |                   | 119-62  | K285260L70R   | REEL CUTTER (CYLINDER), 660-7L    | 1   | 7 Blades |                   |
| 119-28  | K0200100002 | WASHER, SPRING M10                | 6   |          |                   | 119-63  | K0200120002   | WASHER, SPRING M12                | 2   |          |                   |
| 119-29  | K0602062070 | BEARING, BALL SHIELD Z 6207       | 1   |          |                   | 119-64  | K0100120002   | NUT, M12                          | 2   |          |                   |
| 119-30  | K0823560120 | OIL SEAL, MHSA356012              | 1   |          |                   | 119-65  | K0041060152   | SCREW, + FLAT HEAD M6-15          | 2   |          |                   |
| 119-31  | K0145100002 | NUT, WITH F-RING, P1.25 M10       | 2   |          |                   | 119-66  | K0000060102   | BOLT, M6-10                       | 2   |          |                   |
| 119-32  | K0100060002 | NUT, M6                           | 6   |          |                   | 119-67  | K285260L50R   | REEL CUTTER (CYLINDER), 660-5L    | 1   | 5 Blades |                   |
| 119-33  | K5000060002 | WASHER, M6                        | 8   |          |                   | 119-68  | K4205001650   | DECAL, CAUTION TO FRYING OBJECT   | 1   |          |                   |
| 119-34  | K0108180002 | NUT, P1.5 M18-3                   | 4   |          |                   | 119-69  | K9010000110   | COVER, FOR REEL WITH DECAL (LEFT) | 1   | #4MOWER  |                   |
| 119-35  | K0200180002 | WASHER, SPRING M18                | 2   |          |                   | 119-70  | K4033000380   | RUBBER, PLATE STOPPER             | 1   |          |                   |

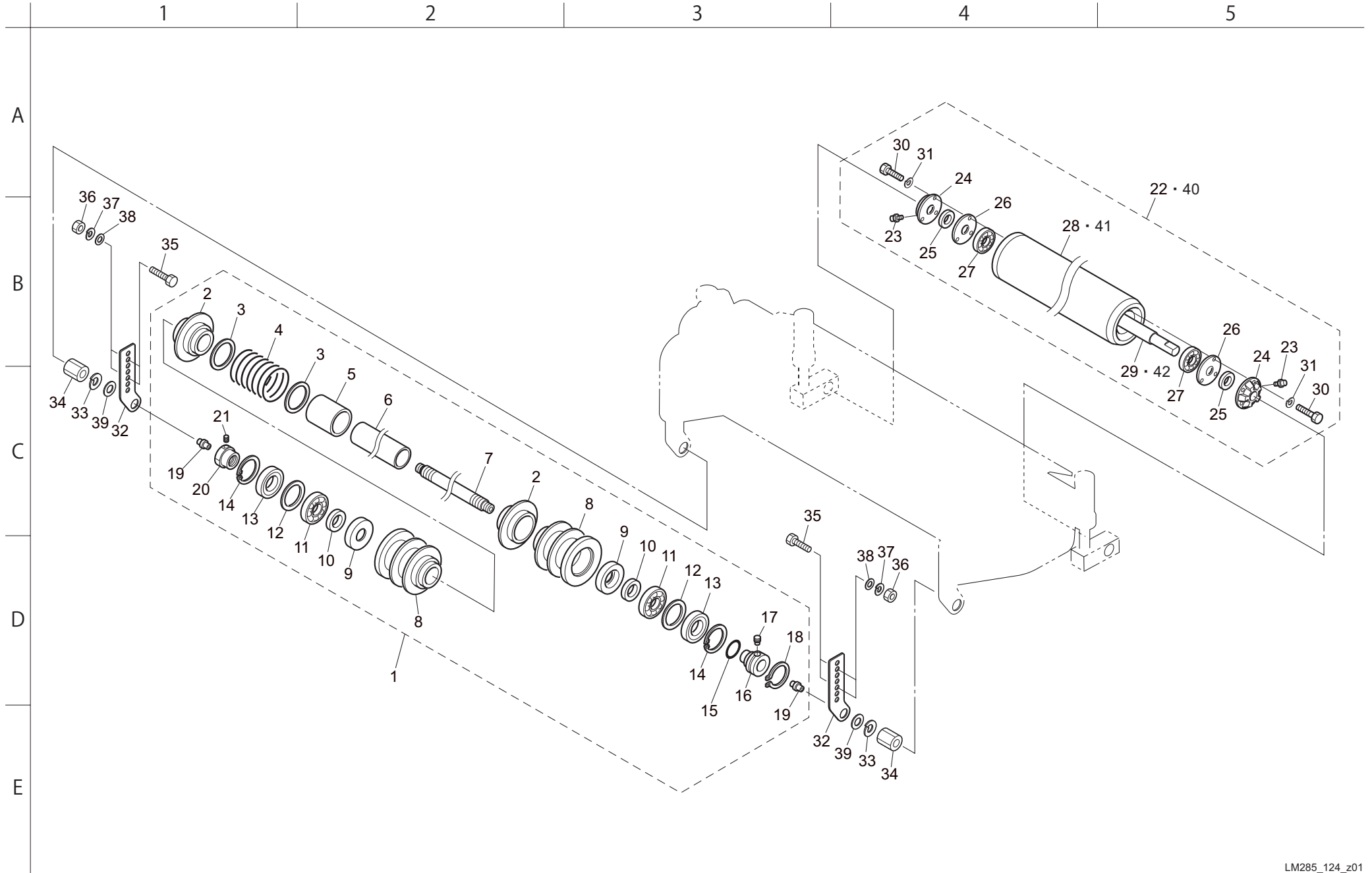
123. Wheel parts



| Cat No. | Code No.      | Part name                   | Qty | Remark | SN of application |
|---------|---------------|-----------------------------|-----|--------|-------------------|
| 123-1   | LM526R-0125Z0 | WHEEL ASSY, FRONT (L)       | 1   |        |                   |
| 123-2   | LM526R-0108Z2 | BRACKET, FROMT ROLLER (L)   | 1   |        |                   |
| 123-3   | K5030520430   | WASHER, C2801P 0.5-20-43    | 4   |        |                   |
| 123-4   | K0612062040   | BEARING, BALL SEAL 2RD 6204 | 4   |        |                   |
| 123-5   | K2110000030   | WHEEL, RUBBER 150           | 2   |        |                   |
| 123-6   | K6212000640   | COLLAR, STKM M20.2-25.4-33  | 2   |        |                   |
| 123-7   | K6204000212   | WASHER, CLAMPING WHEEL      | 2   |        |                   |
| 123-8   | K0200080002   | WASHER, SPRING M8           | 2   |        |                   |
| 123-9   | K0000080202   | BOLT, M8-20                 | 2   |        |                   |
| 123-10  | LM526R-0126Z0 | WHEEL ASSY, FRONT (R)       | 1   |        |                   |
| 123-11  | LM526R-0109Z2 | BRACKET, FROMT ROLLER (R)   | 1   |        |                   |
| 123-12  | K0000100252   | BOLT, M10-25                | 4   |        |                   |
| 123-13  | K0100100002   | NUT, M10                    | 4   |        |                   |
| 123-14  | K0200100002   | WASHER, SPRING M10          | 4   |        |                   |
| 123-15  | K5000100002   | WASHER, M10                 | 4   |        |                   |
| 123-16  | LM526R-0110Z2 | PIPE, STAY                  | 1   |        |                   |
|         |               |                             |     |        |                   |
|         |               |                             |     |        |                   |
|         |               |                             |     |        |                   |
|         |               |                             |     |        |                   |

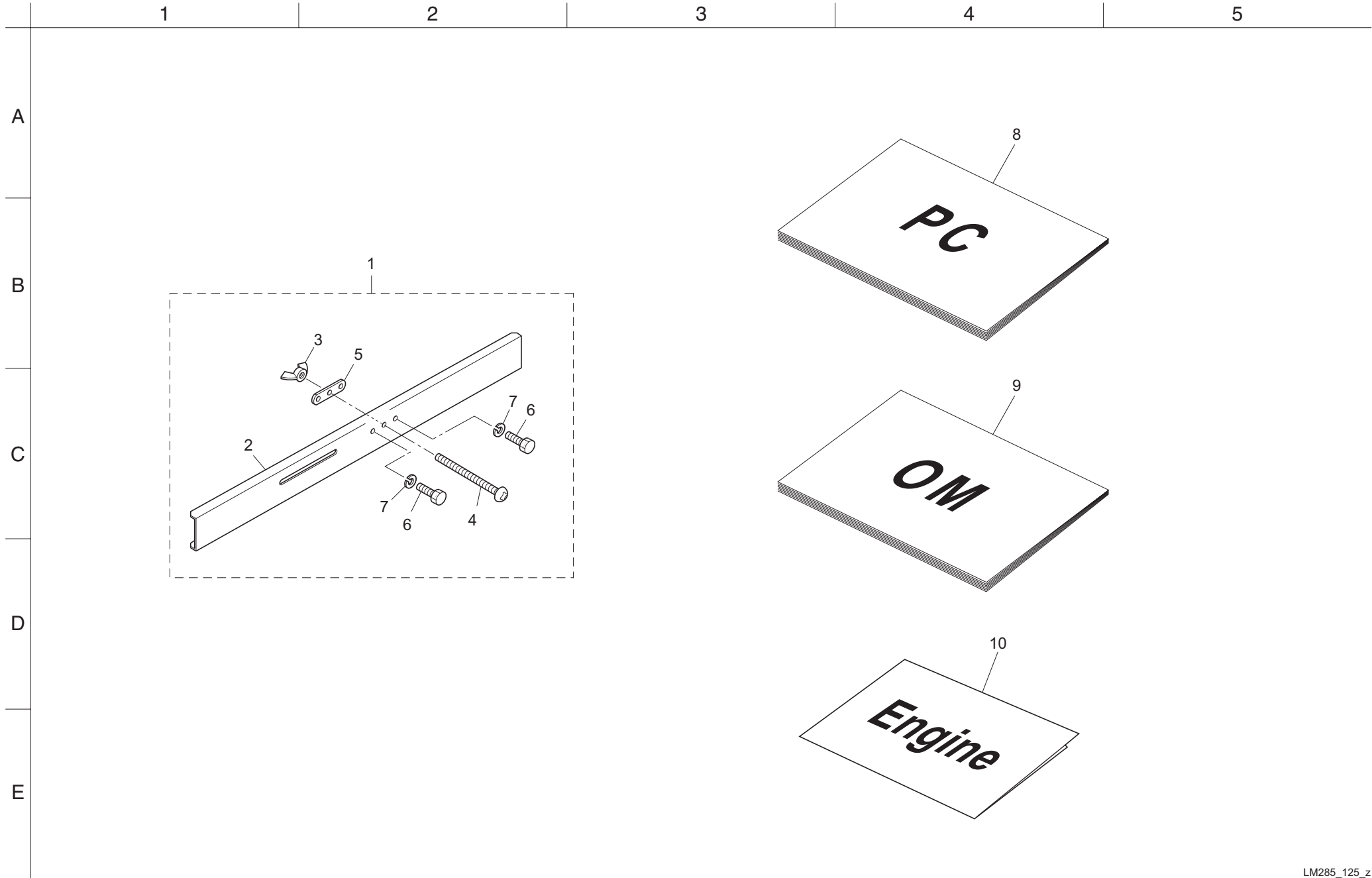
| Cat No. | Code No. | Part name | Qty | Remark | SN of application |
|---------|----------|-----------|-----|--------|-------------------|
|         |          |           |     |        |                   |
|         |          |           |     |        |                   |
|         |          |           |     |        |                   |
|         |          |           |     |        |                   |
|         |          |           |     |        |                   |
|         |          |           |     |        |                   |
|         |          |           |     |        |                   |
|         |          |           |     |        |                   |
|         |          |           |     |        |                   |
|         |          |           |     |        |                   |

124. Roller Ass'y parts



| Cat No. | Code No.    | Part name                        | Qty | Remark | SN of application | Cat No. | Code No.    | Part name              | Qty | Remark | SN of application |
|---------|-------------|----------------------------------|-----|--------|-------------------|---------|-------------|------------------------|-----|--------|-------------------|
| 124-1   | K8021000420 | ROLLER ASSY, GROOVED             | 1   |        |                   | 124-36  | K0100100002 | NUT, M10               | 4   |        |                   |
| 124-2   | K5920000060 | ROLLER, 80                       | 18  |        |                   | 124-37  | K0200100002 | WASHER, SPRING M10     | 4   |        |                   |
| 124-3   | K5051035470 | WASHER, C5191P 1-35-47           | 2   |        |                   | 124-38  | K5000100002 | WASHER, M10            | 4   |        |                   |
| 124-4   | K100000073D | SPRING, COMPRESSION M5-51-75     | 1   |        |                   | 124-39  | K5073214252 | WASHER, SPHC 3.2-14-25 | 2   |        |                   |
| 124-5   | K6212001612 | COLLAR, STKM M35-40-49           | 1   |        |                   | 124-40  | K8021000520 | ROLLER, 764 ASSY       | 1   |        |                   |
| 124-6   | K6226000082 | PIPE, ROLLER M28-345-78          | 1   |        |                   | 124-41  | K740000024D | ROLLER, 76.2 674       | 1   |        |                   |
| 124-7   | K6121000340 | SHAFT, THREADED ROLLER 762       | 1   |        |                   | 124-42  | K6155000280 | SHAFT, ROLLER 764      | 1   |        |                   |
| 124-8   | K620200046D | HOUSING, FOR SLOTTED ROLLER 77   | 2   |        |                   |         |             |                        |     |        |                   |
| 124-9   | K6803000030 | HOUSING, SEALING                 | 2   |        |                   |         |             |                        |     |        |                   |
| 124-10  | K0822035080 | OIL SEAL, MHSA20358              | 2   |        |                   |         |             |                        |     |        |                   |
| 124-11  | K0631302040 | BEARING, TAPER ROLLER JRP6 30204 | 2   |        |                   |         |             |                        |     |        |                   |
| 124-12  | K6212001192 | COLLAR, STKM M42-25.4-14.5       | 2   |        |                   |         |             |                        |     |        |                   |
| 124-13  | K0822547080 | OIL SEAL, MHSA25478              | 2   |        |                   |         |             |                        |     |        |                   |
| 124-14  | K0402047001 | RING, RETAINING R M47            | 2   |        |                   |         |             |                        |     |        |                   |
| 124-15  | K0880020000 | O-RING, P20                      | 1   |        |                   |         |             |                        |     |        |                   |
| 124-16  | K6219000210 | COLLAR, M17-36-28.25             | 1   |        |                   |         |             |                        |     |        |                   |
| 124-17  | K0071000778 | STOPPER, DRUM COLLAR             | 1   |        |                   |         |             |                        |     |        |                   |
| 124-18  | K0401036001 | RING, RETAINING S M36            | 1   |        |                   |         |             |                        |     |        |                   |
| 124-19  | K1440000050 | GREASE NIPPLE, M8                | 2   |        |                   |         |             |                        |     |        |                   |
| 124-20  | K0160000550 | NUT, M20-27                      | 1   |        |                   |         |             |                        |     |        |                   |
| 124-21  | K0028060100 | SETScrew, SUS M6-10              | 1   |        |                   |         |             |                        |     |        |                   |
| 124-22  | K8021000430 | ROLLER ASSY, REAR 764            | 1   |        |                   |         |             |                        |     |        |                   |
| 124-23  | K1440000010 | GREASE NIPPLE, A TYPE            | 2   |        |                   |         |             |                        |     |        |                   |
| 124-24  | K6810000070 | HOUSING, SEALING                 | 2   |        |                   |         |             |                        |     |        |                   |
| 124-25  | K0821730080 | OIL SEAL, MHSA17308              | 2   |        |                   |         |             |                        |     |        |                   |
| 124-26  | K4015136650 | PACKING, FIBER 1-36-65           | 2   |        |                   |         |             |                        |     |        |                   |
| 124-27  | K0602062030 | BEARING, BALL SHIELD Z 6203      | 2   |        |                   |         |             |                        |     |        |                   |
| 124-28  | K740000016D | ROLLER, 76.2-674                 | 1   |        |                   |         |             |                        |     |        |                   |
| 124-29  | K6155000190 | SHAFT, STEPED ROLLER 764         | 1   |        |                   |         |             |                        |     |        |                   |
| 124-30  | K0000060122 | BOLT, M6-12                      | 6   |        |                   |         |             |                        |     |        |                   |
| 124-31  | K0200060002 | WASHER, SPRING M6                | 6   |        |                   |         |             |                        |     |        |                   |
| 124-32  | K5131001882 | PLATE, SPHC ROLLER BRACKET       | 2   |        |                   |         |             |                        |     |        |                   |
| 124-33  | K0200140002 | WASHER, SPRING M14               | 2   |        |                   |         |             |                        |     |        |                   |
| 124-34  | K0160000532 | NUT, HIGH M14-20                 | 2   |        |                   |         |             |                        |     |        |                   |
| 124-35  | K0000100252 | BOLT, M10-25                     | 4   |        |                   |         |             |                        |     |        |                   |

125. Accessory parts

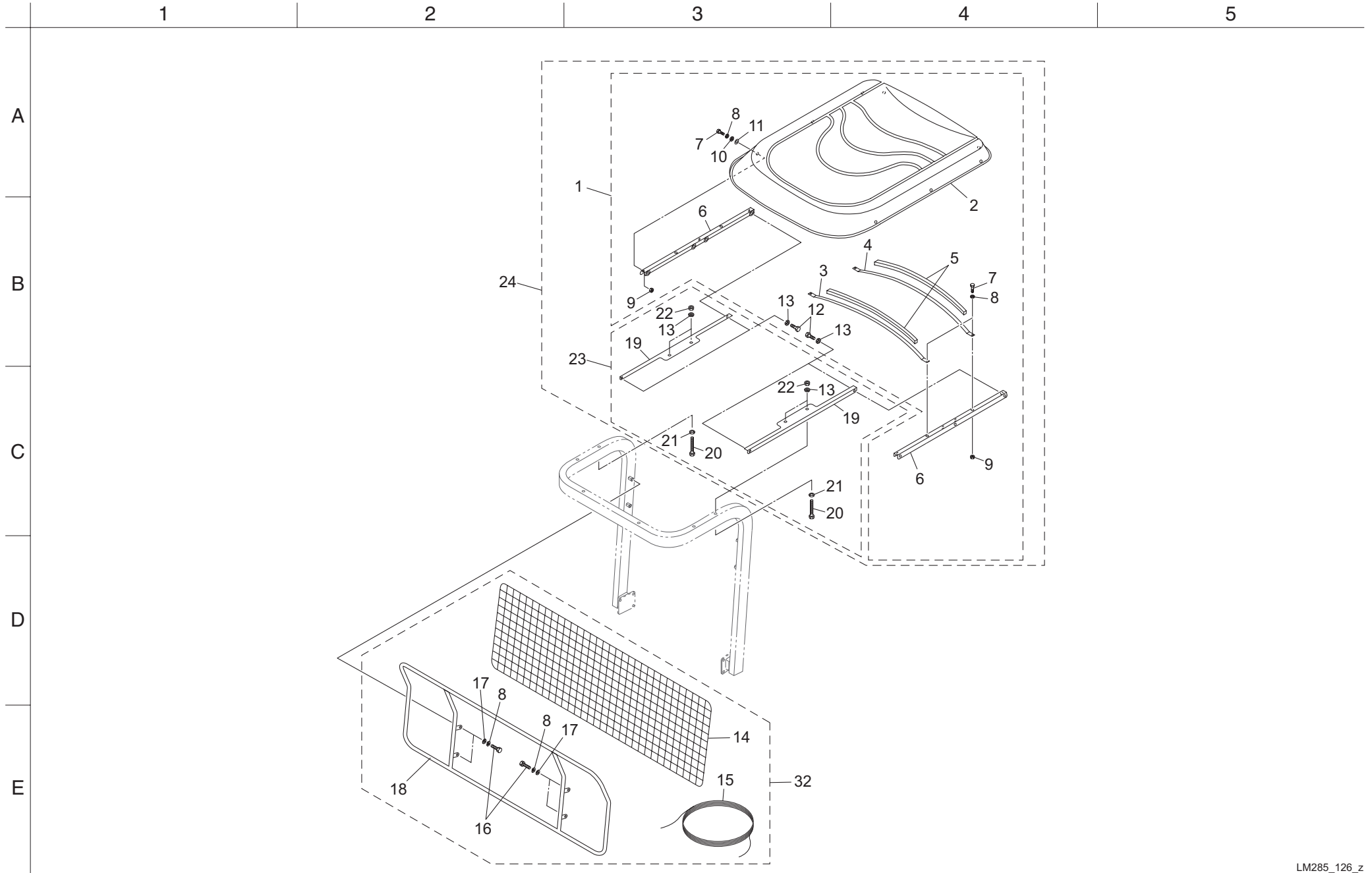




| Cat No. | Code No.       | Part name                                    | Qty | Remark | SN of application |
|---------|----------------|--|-----|--------|-------------------|
| 125-1   | K4825000060    | GAUGE, CUTTING HEIGHT 600 ASSY               | 1   |        |                   |
| 125-2   | K482500003D    | GAUGE, CUTTING HEIGHT 600                    | 1   |        |                   |
| 125-3   | K0141060002    | NUT, WING M6-3                               | 1   |        |                   |
| 125-4   | K0071000522    | SCREW, FOR CUTTING HEIGHT ADJUST M6-75       | 1   |        |                   |
| 125-5   | K4825000042    | PLATE, MOUNTING SCREW                        | 1   |        |                   |
| 125-6   | K0021060102    | BOLT, FLANGED M6-10                          | 2   |        |                   |
| 125-7   | K0200060002    | WASHER, SPRING M6                            | 2   |        |                   |
| 125b-8  | 750101-80-B    | PARTS CATALOG (LM285) ENGLISH                | 1   |        |                   |
| 125b-9  | 750101-80-A    | OWNERS OPERATING MANUAL (LM285) ENGLISH      | 1   |        |                   |
| 125a-10 | PF1J987-8916-2 | OWNERS OPERATING MANUAL FOR ENGINE (ENGLISH) | 1   |        |                   |
|         |                |  |     |        |                   |
|         |                |  |     |        |                   |
|         |                |  |     |        |                   |
|         |                |  |     |        |                   |
|         |                |  |     |        |                   |
|         |                |  |     |        |                   |

| Cat No. | Code No. | Part name | Qty | Remark | SN of application |
|---------|----------|-----------|-----|--------|-------------------|
|         |          |           |     |        |                   |
|         |          |           |     |        |                   |
|         |          |           |     |        |                   |
|         |          |           |     |        |                   |
|         |          |           |     |        |                   |
|         |          |           |     |        |                   |
|         |          |           |     |        |                   |
|         |          |           |     |        |                   |
|         |          |           |     |        |                   |
|         |          |           |     |        |                   |

126. Roof parts (option)



| Cat No. | Code No.      | Part name                     | Qty | Remark | SN of application | Cat No. | Code No. | Part name | Qty | Remark | SN of application |
|---------|---------------|-------------------------------|-----|--------|-------------------|---------|----------|-----------|-----|--------|-------------------|
| 126-1   | K9120000030   | ROOF ASSY                     | 1   |        |                   |         |          |           |     |        |                   |
| 126-2   | K1900000080   | ROOF                          | 1   |        |                   |         |          |           |     |        |                   |
| 126-3   | K190000010D   | ARCH, B                       | 1   |        |                   |         |          |           |     |        |                   |
| 126-4   | K190000009D   | ARCH, A                       | 1   |        |                   |         |          |           |     |        |                   |
| 126-5   | K1900000120   | SPONGE, URETHANE 20-20840     | 2   |        |                   |         |          |           |     |        |                   |
| 126-6   | K190000011D   | SUPPORT, HOOD                 | 2   |        |                   |         |          |           |     |        |                   |
| 126-7   | K0000080202   | BOLT, M8-20                   | 10  |        |                   |         |          |           |     |        |                   |
| 126-8   | K0200080002   | WASHER, SPRING M8             | 14  |        |                   |         |          |           |     |        |                   |
| 126-9   | K0100080002   | NUT, M8                       | 10  |        |                   |         |          |           |     |        |                   |
| 126-10  | K5012308322   | WASHER, SPCC 2.3-8-32         | 6   |        |                   |         |          |           |     |        |                   |
| 126-11  | K1900000130   | RUBBER, FOR ROOF              | 6   |        |                   |         |          |           |     |        |                   |
| 126-12  | K0000100202   | BOLT, M10-20                  | 4   |        |                   |         |          |           |     |        |                   |
| 126-13  | K0200100002   | WASHER, SPRING M10            | 8   |        |                   |         |          |           |     |        |                   |
| 126-14  | K4130000010   | NET, BALL-PROOF 500*1375      | 1   |        |                   |         |          |           |     |        |                   |
| 126-15  | K4140000010   | ROPE, 2-6700                  | 2   |        |                   |         |          |           |     |        |                   |
| 126-16  | K0000080152   | BOLT, M8-15                   | 4   |        |                   |         |          |           |     |        |                   |
| 126-17  | K5000080002   | WASHER, M8                    | 4   |        |                   |         |          |           |     |        |                   |
| 126-18  | K789900120D   | FRAME, FOR BALL PROOF NET     | 1   |        |                   |         |          |           |     |        |                   |
| 126-19  | K520500040D   | PLATE, FOR FIXING ROOF        | 2   |        |                   |         |          |           |     |        |                   |
| 126-20  | K0000101002   | BOLT, M10-100                 | 4   |        |                   |         |          |           |     |        |                   |
| 126-21  | K5000100002   | WASHER, M10                   | 4   |        |                   |         |          |           |     |        |                   |
| 126-22  | K0100100002   | NUT, M10                      | 4   |        |                   |         |          |           |     |        |                   |
| 126-23  | K9120000050   | BRACKET SET, FOR AWNING FRAME | 1   |        |                   |         |          |           |     |        |                   |
| 126-24  | K9120000060   | ROOF AND FLAME ASSY           | 1   |        |                   |         |          |           |     |        |                   |
| 126-25  |               |                               |     |        |                   |         |          |           |     |        |                   |
| 126-26  |               |                               |     |        |                   |         |          |           |     |        |                   |
| 126-27  |               |                               |     |        |                   |         |          |           |     |        |                   |
| 126-28  |               |                               |     |        |                   |         |          |           |     |        |                   |
| 126-29  |               |                               |     |        |                   |         |          |           |     |        |                   |
| 126-30  |               |                               |     |        |                   |         |          |           |     |        |                   |
| 126-31  |               |                               |     |        |                   |         |          |           |     |        |                   |
| 126-32  | LM285--1705Z0 | PROTECTIVE NET KIT, LM285     | 1   |        |                   |         |          |           |     |        |                   |

**BARONESS**<sup>®</sup>  
Quality on Demand

 **KYOEISHA CO., LTD.**  
Head Office 1-26, Miyuki-cho, Toyokawa, Tel : (0533)84-1390  
Aichi-Pref. 442-8530 Japan. Fax : (0533)89-3623