

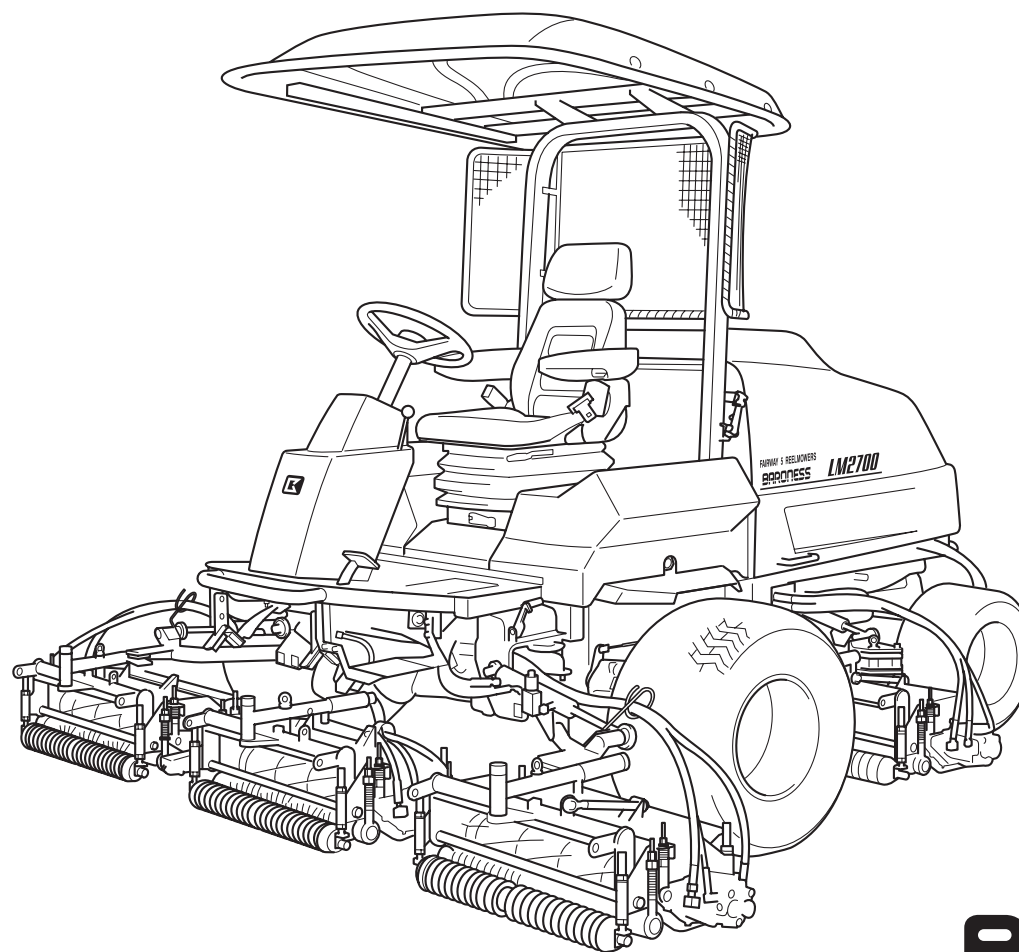
Front 5-Reel Fairway Mower

LM2700

**BARONESS
MOWER**

Parts catalog

LM2700(22/26) SN10348 and onwards



BARONESS

Contents

PARTS CATALOG	2	23B. Mower parts B (22inch)	63
1. Frame parts A.....	3	24B. Roller Ass'y parts A (22inch).....	65
2. Frame parts A.....	5	25. Accessory parts.....	67
3. Cover parts	7	26A. Option (26inch Grass catcher parts).....	69
4. Front wheel parts	9	26B. Option (22inch Grass catcher parts).....	71
5. Rear wheel parts.....	11	27A. Option (26inch Groomer Ass'y parts for mower unit #1,#3,#5).....	73
6. Pedal parts A.....	13	28A. Option (26inch Groomer Ass'y parts for mower unit #2,#4).....	75
7. Pedal parts B	15	27B. Option (22inch Groomer Ass'y parts for mower unit #1,#3,#5).....	77
8. Engine parts A.....	17	28B. Option (22inch Groomer Ass'y parts for mower unit #2,#4).....	79
9. Engine parts B	19	29. Option (26inch, 22inch scraper parts).....	81
9. Engine parts B	21	30A. Option (26inch CR brush parts).....	83
10. Engine parts C	23	30B. Option (22inch CR brush parts).....	85
11. Engine parts D	25	31. Option (Light parts).....	87
12. Hydraulic parts A.....	27		
12. Hydraulic parts A.....	29		
13. Hydraulic parts B.....	31		
14. Hydraulic parts C	33		
15. Hydraulic parts D	35		
16. Hydraulic parts E.....	37		
17. Hydraulic parts F.....	39		
18. Hydraulic parts G	41		
18. Hydraulic parts G	43		
19. Hydraulic parts H	45		
20A. Lift arm front part (26inch)	47		
21A. Lift arm rear part (26inch).....	49		
20B. Lift arm front part (22inch)	51		
21B. Lift arm rear part (22inch).....	53		
22A. Mower parts A (26inch).....	55		
23A. Mower parts B (26inch)	57		
24A. Roller Ass'y parts (26inch).....	59		
22B. Mower parts A (22inch).....	61		

Front 5-reel fairway mower

LM2700 **BARONNESS** **MOWER**

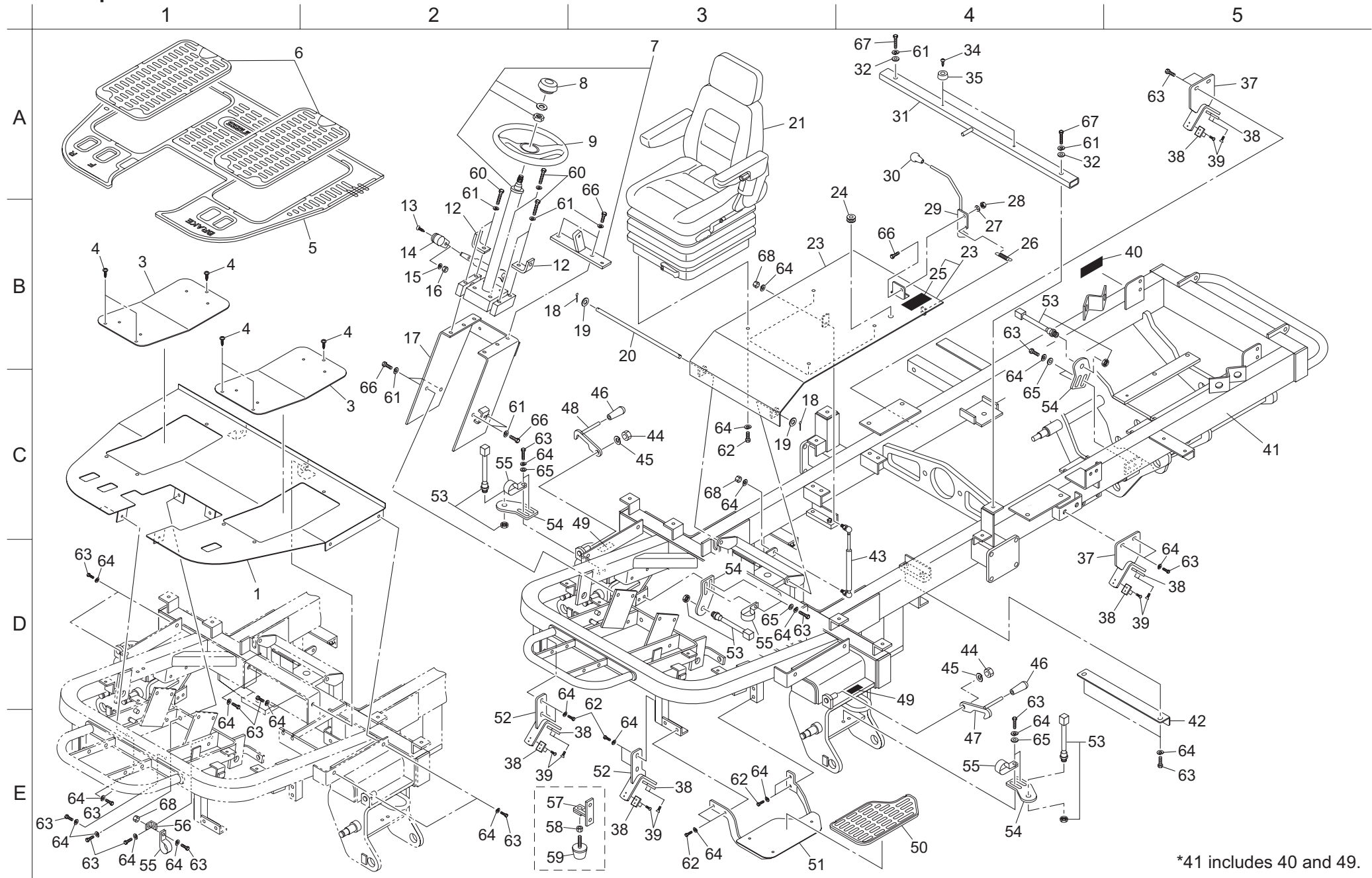
PARTS CATALOG

☆ **Ordering parts**

All parts in this parts catalog are controlled by computer .
For prevention of delivery of wrong parts, advise us of the catalog No., code No., and part name.

(Example)	Cat No.	Code No.	Part Name	Qty
	1-1	LM2700-0620ZD	step	1

1. Frame parts A

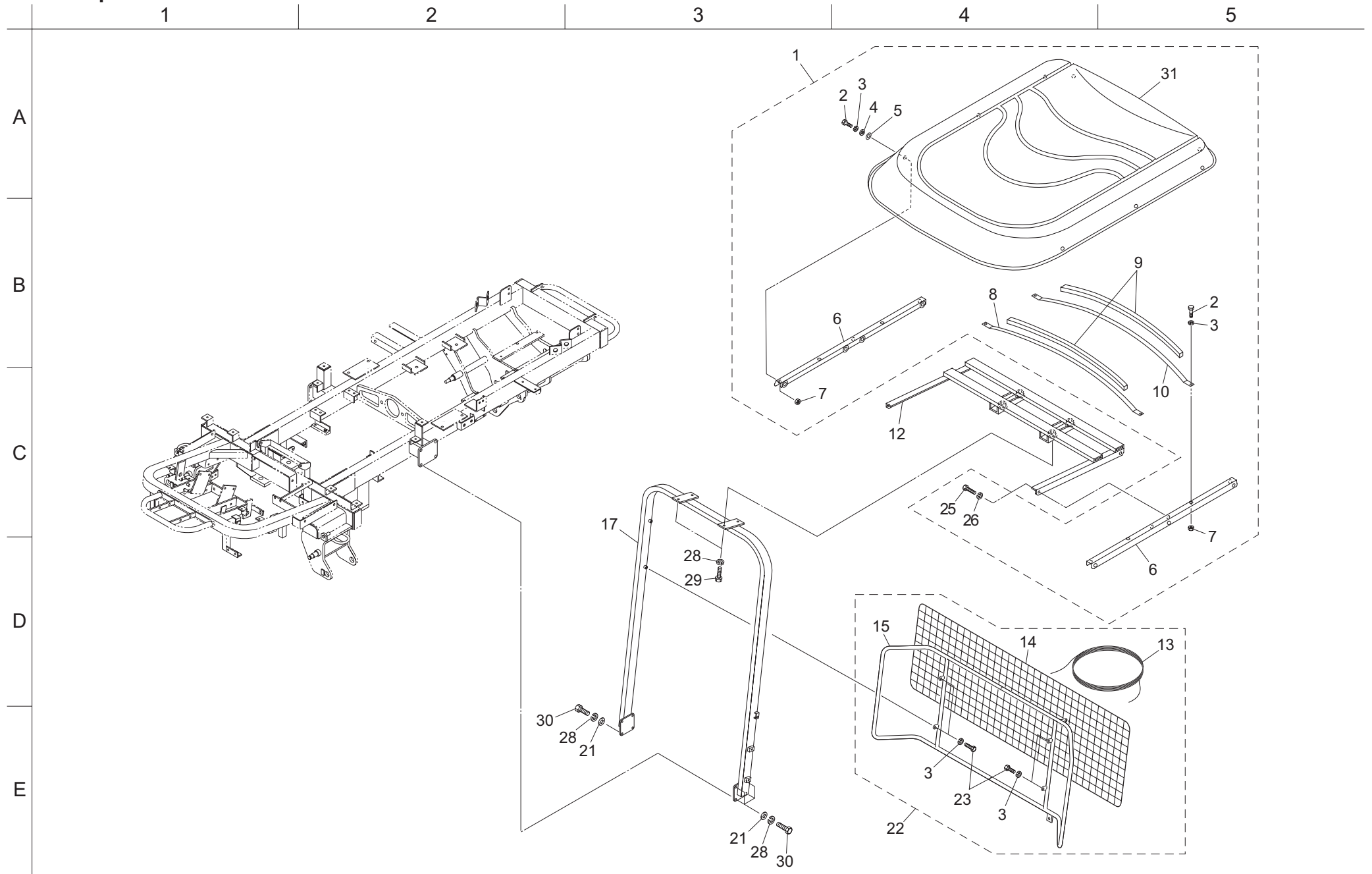


*41 includes 40 and 49.

Cat No.	Code No.	Part Name	Qty		Remark
			26	22	
1-1	LM2700-0620ZD	step	1	1	
1-2					
1-3	LM2700-0621ZD	step cover	2	2	
1-4	K0062080122	8 hexagonal socket button bolt 12	6	6	
1-5	LM2700-0628Z0	step rubber (L)	1	1	
1-6	LM2700-0629Z0	step rubber (S)	2	2	
1-7	K1730000060	tilt steering column	1	1	
1-8	K1310000130	rubber cap	1	1	
1-9	K1710000100	steering wheel V027220-0101A	1	1	
1-10					
1-11					
1-12	LM2700-0931ZD	front cover mount	2	2	
1-13	K0042050082	5+ round head small screw 8	1	1	
1-14	K1301000150	throttle lever grip	1	1	
1-15	K0200050002	5S washer	1	1	
1-16	K0100050002	5 nut	1	1	
1-17	LM2700-0602ZD	handle mount	1	1	
1-18	K0300020202	2 split pin 20	2	2	
1-19	K5000120002	12 washer	2	2	
1-20	LM2700-0609Z2	12 shaft with holes 333	1	1	
1-21	K1700000250	seat DS85H/90	1	1	
1-22					
1-23	LM2700-3602Z0	seat mount COMP	1	1	
1-24	K0900300240	grommet with film C30SG24A	1	1	
1-25	K4205001580	caution mark (injury)	1	1	
1-26	K1030000098	1.6U hook spring 1266.8	1	1	
1-27	K5000100002	10 washer	1	1	
1-28	K0144100002	10U nut	1	1	
1-29	LM2700-0607ZD	lever	1	1	
1-30	K1300000040	9 grip black 35.5	1	1	
1-31	LM2700-0608ZD	seat receiver	1	1	
1-32	K5073210352	3.2SPHC metal washer 1035	2	2	
1-33					
1-34	K0042050152	5+ round head small screw 15	2	2	
1-35	K4039000130	rubber foot TK-3220	2	2	

Cat No.	Code No.	Part Name	Qty		Remark
			26	22	
1-36					
1-37	LM2700-0614AD	mower stopper	2	2	
1-38	LM526A-0107Z0	stopper	8	6	
1-39	K0041060122	6+ countersunk head screw 12	16	12	
1-40	K4205001540	caution mark (hot parts)	1	1	
1-41	LM2700-3601Z0	frame COMP	1	1	
1-42	LM2700-0610ZD	stay	1	1	
1-43	K3381000010	gas spring C25	1	1	
1-44	K0145140002	14U nut P1.5	2	2	
1-45	K0210140002	14 conical disk spring L	2	2	
1-46	K1300000110	9 grip yellow 22	2	2	
1-47	LM526--0619AD	#5 lock lever	1	1	
1-48	LM526--0618AD	#4 lock lever	1	1	
1-49	K4205001900	arm lock caution label	2	2	
1-50	LM2700-0630Z0	step rubber	1	1	
1-51	LM2700-0619ZD	step	1	1	
1-52	LM2700-0615ZD	mower stopper	2	1	
1-53	LM2700-0557Z0	proximity sensor E2E-X5E	4	4	
1-54	LM2700-0625ZD	switch mount plate	4	4	
1-55	K4270050080	50 harness clip M8	4	4	
1-56	LM2700-0571ZD	mount	1	1	
1-57	LM2700-2401ZD	mower stopper	0	1	
1-58	K0100100002	10 nut	0	1	
1-59	K4049050000	rubber stopper KI-50	0	1	
1-60	K0000100502	10 bolt 50	4	4	
1-61	K0200100002	10S washer	12	10	
1-62	K0000080152	8 bolt 15	12	12	
1-63	K0000080202	8 bolt 20	26	26	
1-64	K0200080002	8S washer	38	38	
1-65	K5000080002	8 washer	8	8	
1-66	K0000100202	10 bolt 20	7	7	
1-67	K0000100402	10 bolt 40	2	2	
1-68	K0100080002	8 nut	3	3	

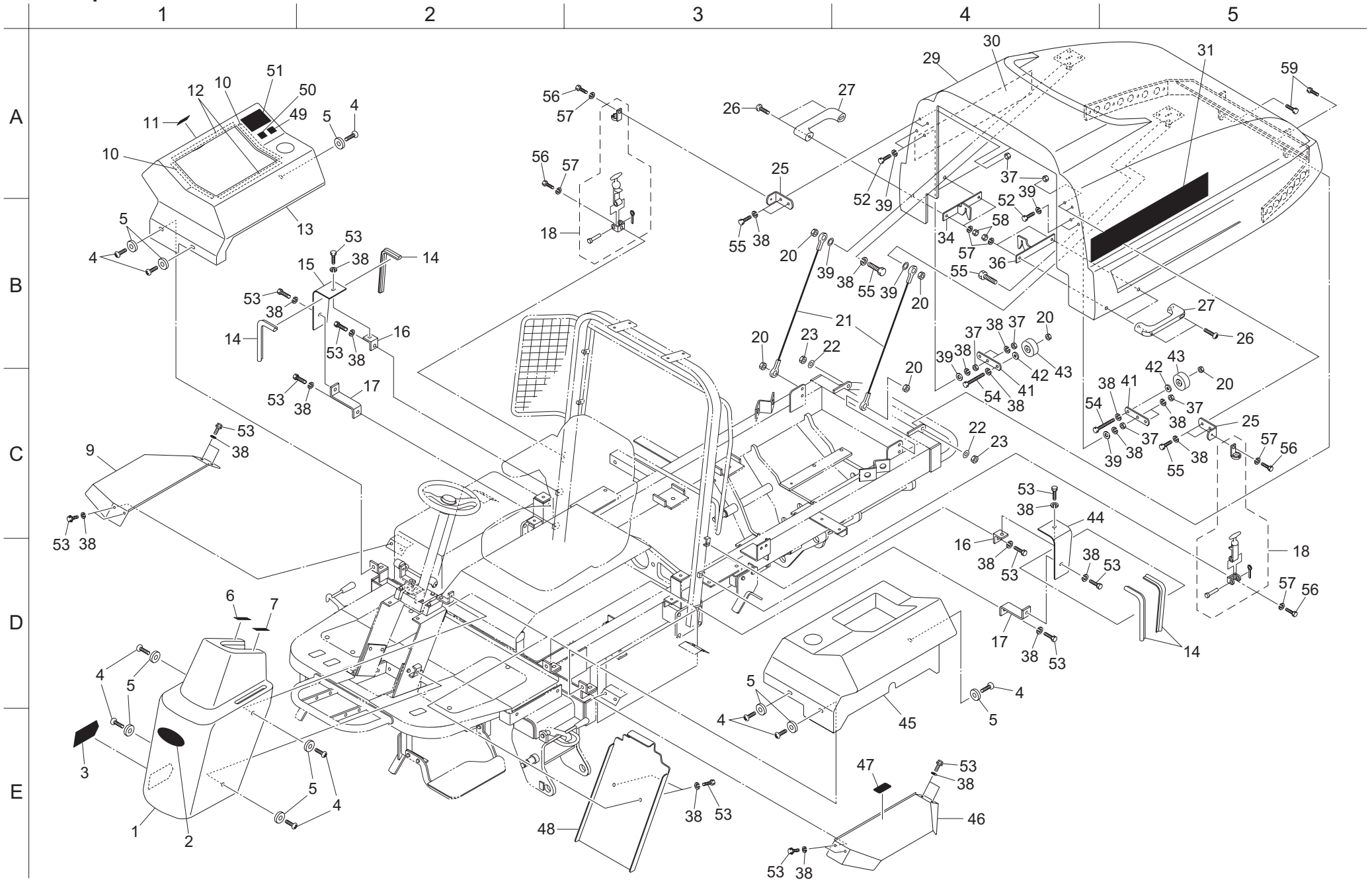
2. Frame parts A



Cat No.	Code No.	Part Name	Qty	Remark
2-1	K9120000030	roof Ass'y	1	
2-2	K0000080202	8 bolt 20	10	
2-3	K0200080002	8S washer	14	
2-4	K5012308352	2.3SPCC metal washer 835	6	
2-5	K1900000130	rubber for roof	6	
2-6	K190000011D	hood support	2	
2-7	K0100080002	8 nut	10	
2-8	K190000010D	arch B	1	
2-9	K1900000120	20 urethane sponge 20840	2	
2-10	K190000009D	arch A	1	
2-11				
2-12	K722000007D	awning frame	1	
2-13	K4140000010	Ø2 rope 6700	2	
2-14	K4130000010	protective net 500×1375	1	
2-15	K789900109D	protective net mount pipe	1	
2-16				
2-17	LM2700-0626ZD	roll bar	1	
2-18				
2-19				
2-20				
2-21	K5000120002	12 washer	8	
2-22	K8990000010	protective net Ass'y	1	
2-23	K0000080152	8 bolt 15	4	
2-24				
2-25	K0000100202	10 bolt 20	4	
2-26	K0200100002	10S washer	4	
2-27				
2-28	K0200120002	12S washer	12	
2-29	K0000120252	12 bolt 25	4	
2-30	K0010120302	12 heat-treated bolt 30	8	
2-31	K1900000080	roof	1	

Cat No.	Code No.	Part Name	Qty	Remark

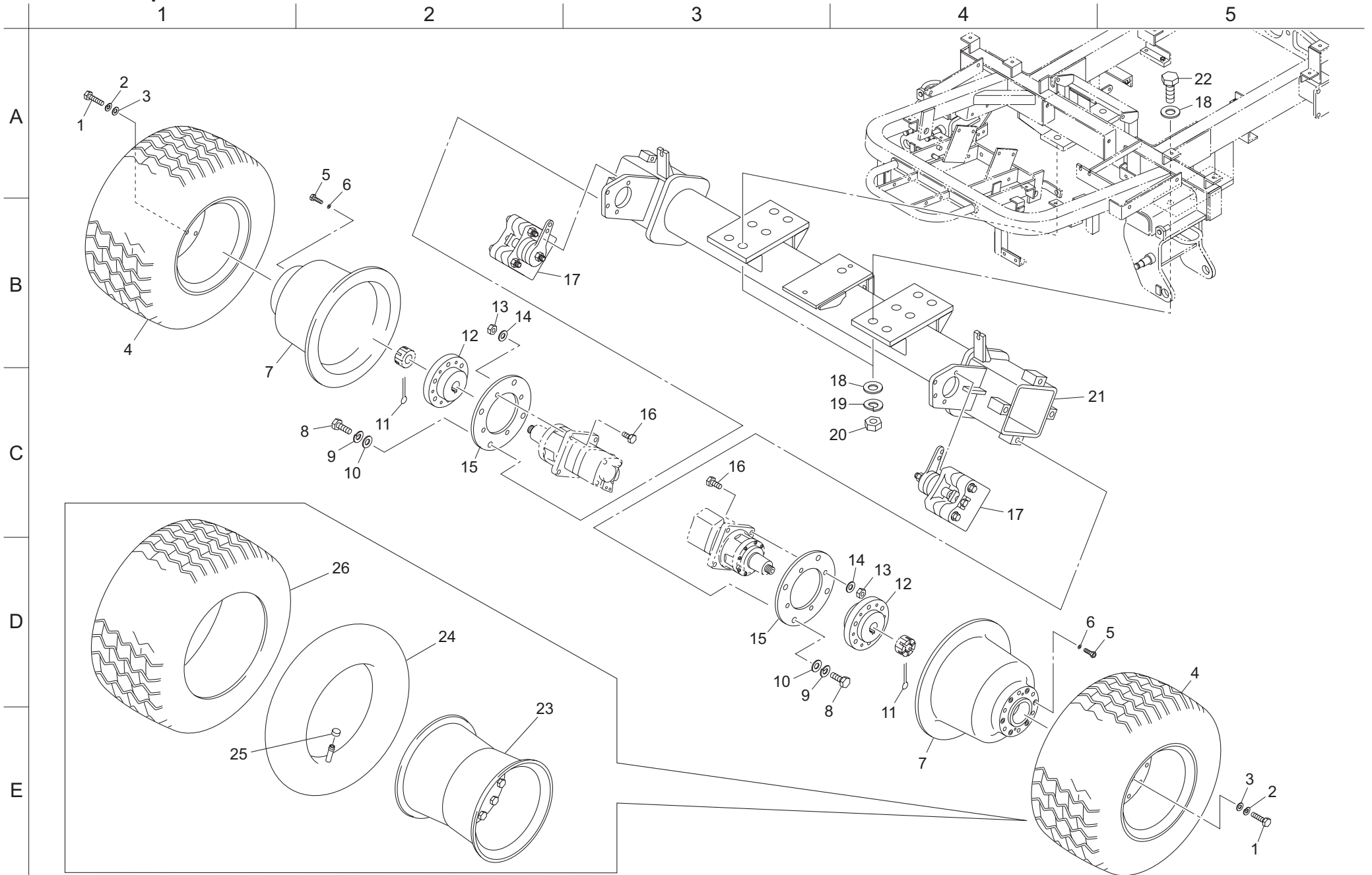
3. Cover parts



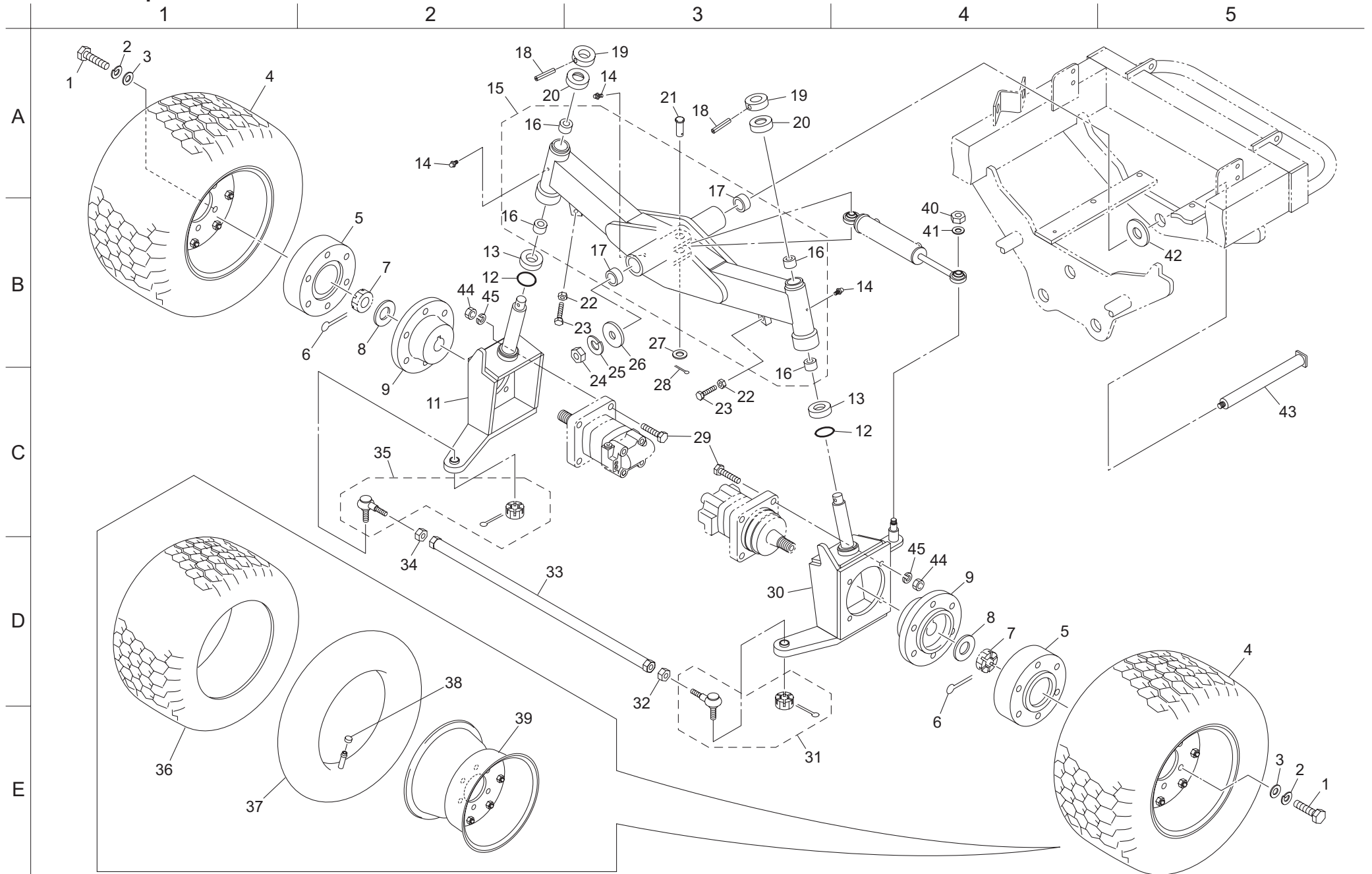
Cat No.	Code No.	Part Name	Qty	Remark
3-1	LM2700-0926Z0	front cover	1	
3-2	K4201000590	K mark	1	
3-3	K4203001370	velocity mark	1	
3-4	K0056080200	8+ stainless truss small screw 20	10	
3-5	K4031000070	5 anti-vibration rubber 825	10	
3-6	K4203001350	tilt steering mark	1	
3-7	K4203001340	parking brake mark	1	
3-8				
3-9	LM2700-0941ZD	tire cover (R)	1	
3-10	K4228000050	10 rubber sponge 20330	2	
3-11	K4209001000	diesel fuel seal	1	
3-12	K4228000060	10 rubber sponge 20380	2	
3-13	LM2700-0953Z0	side cover (R)	1	
3-14	K3198103500	trim seal black 6100-16C-350	4	
3-15	LM2700-0949ZD	auxiliary cover (R)	1	
3-16	LM2700-0946ZD	auxiliary cover mount angle	2	
3-17	LM2700-0947ZD	auxiliary cover bracket	2	
3-18	K1520000030	rubber catch Ass'y	2	
3-19				
3-20	K0144080002	8U nut	6	
3-21	K1170092000	cable 920	2	
3-22	K5000120002	12 washer	2	
3-23	K0144120002	12U nut	2	
3-24				
3-25	LM2700-0943ZD	rubber catch mount plate	2	
3-26	K0042060252	6+ round head small screw 25	4	
3-27	K1301000160	handle	2	
3-28				
3-29	LM2700-0945B0	bonnet COMP	1	
3-30	LM2700-0956Z0	BARONESS mark LM2700 (R)	1	
3-31	LM2700-0955Z0	BARONESS mark LM2700 (L)	1	
3-32				
3-33				
3-34	LM2700-0935ZD	bonnet stopper (R)	1	
3-35				

Cat No.	Code No.	Part Name	Qty	Remark
3-36	LM2700-0934ZD	bonnet stopper (L)	1	
3-37	K0100080002	8 nut	12	
3-38	K0200080002	8S washer	34	
3-39	K5000080002	8 washer	8	
3-40				
3-41	LM2700-0944ZD	roller bracket	2	
3-42	K4031000210	rubber washer	2	
3-43	K2141000020	caster wheel No.4H-P	2	
3-44	LM2700-0948ZD	auxiliary cover (L)	1	
3-45	LM2700-0952Z0	side cover (L)	1	
3-46	LM2700-0940ZD	tire cover (L)	1	
3-47	K4209000980	hydraulic oil mark	1	
3-48	LM2700-0951ZD	front rear cover	1	
3-49	K4205001330	high noise levels symbol	1	
3-50	K4209001290	noise level Lwa 103 mark	1	
3-51	K4205001840	start/stop label (reel)	1	
3-52	K0000080302	8 bolt 30	4	
3-53	K0000080152	8 bolt 15	18	
3-54	K0000080502	8 bolt 50	2	
3-55	K0000080202	8 bolt 20	6	
3-56	K0000060102	6 bolt 10	4	
3-57	K0200060002	6S washer	4	
3-58	K0100060002	6 nut	4	
3-59	K0000120302	12 bolt 30	2	

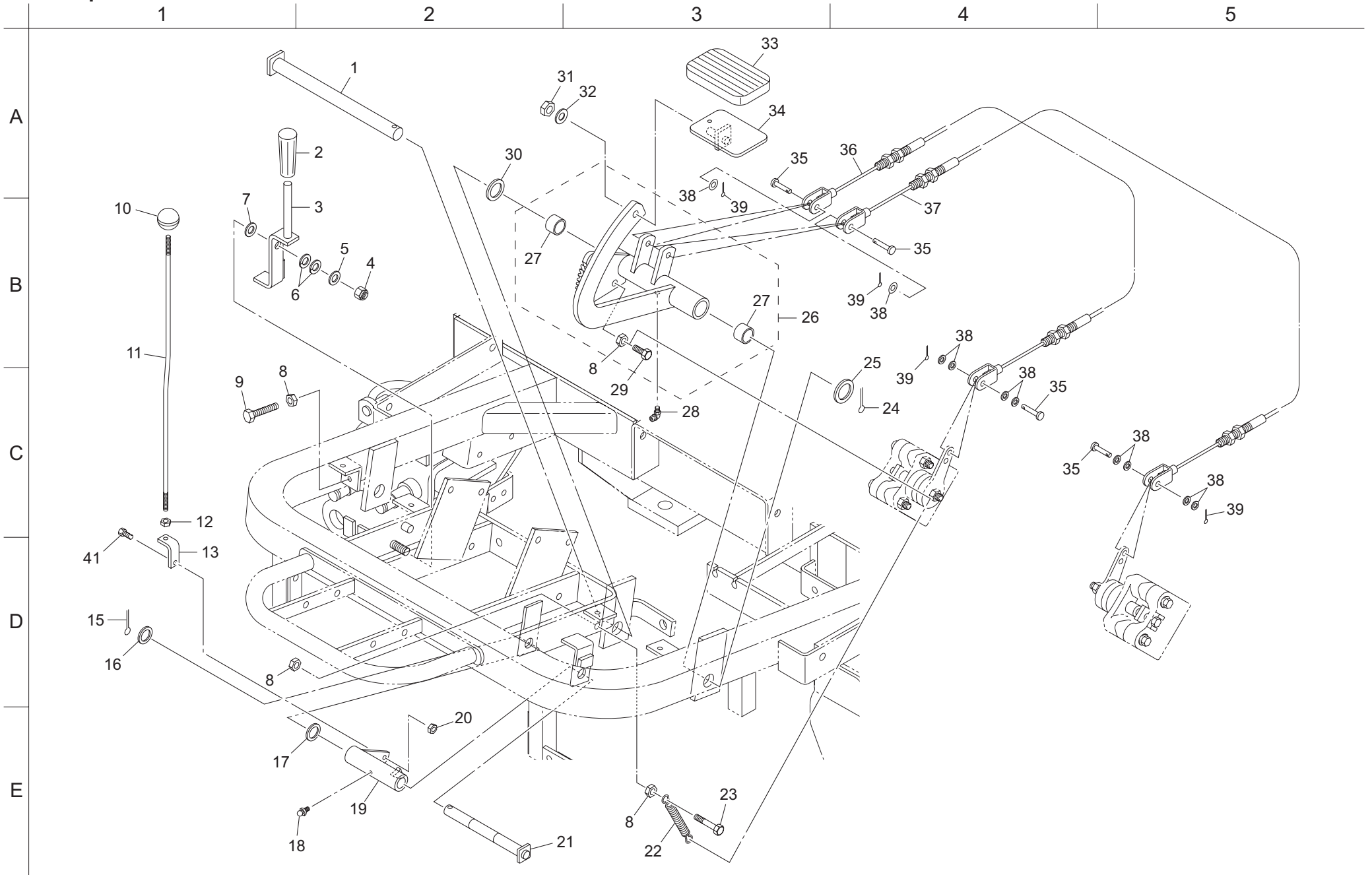
4. Front wheel parts



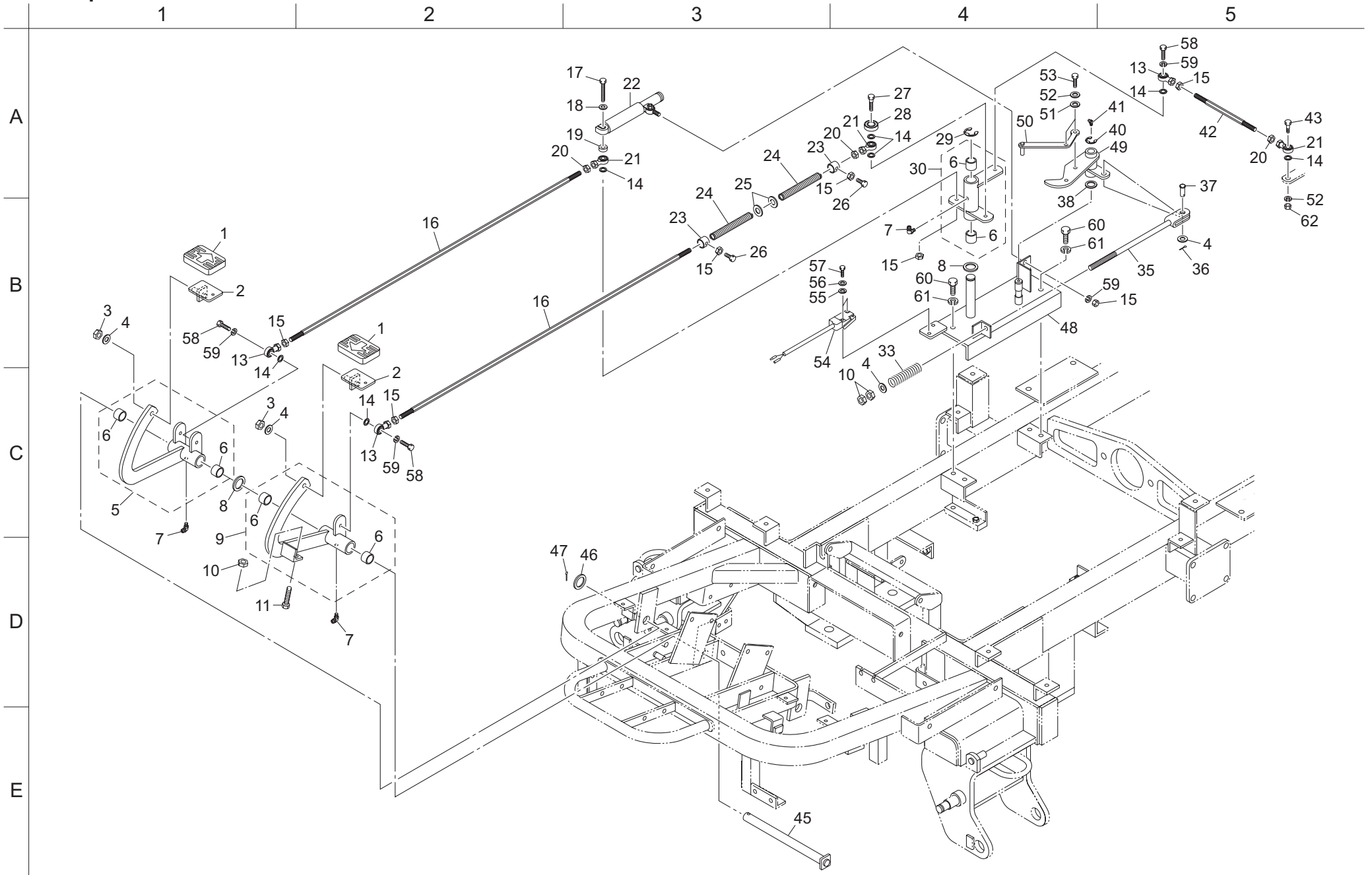
5. Rear wheel parts



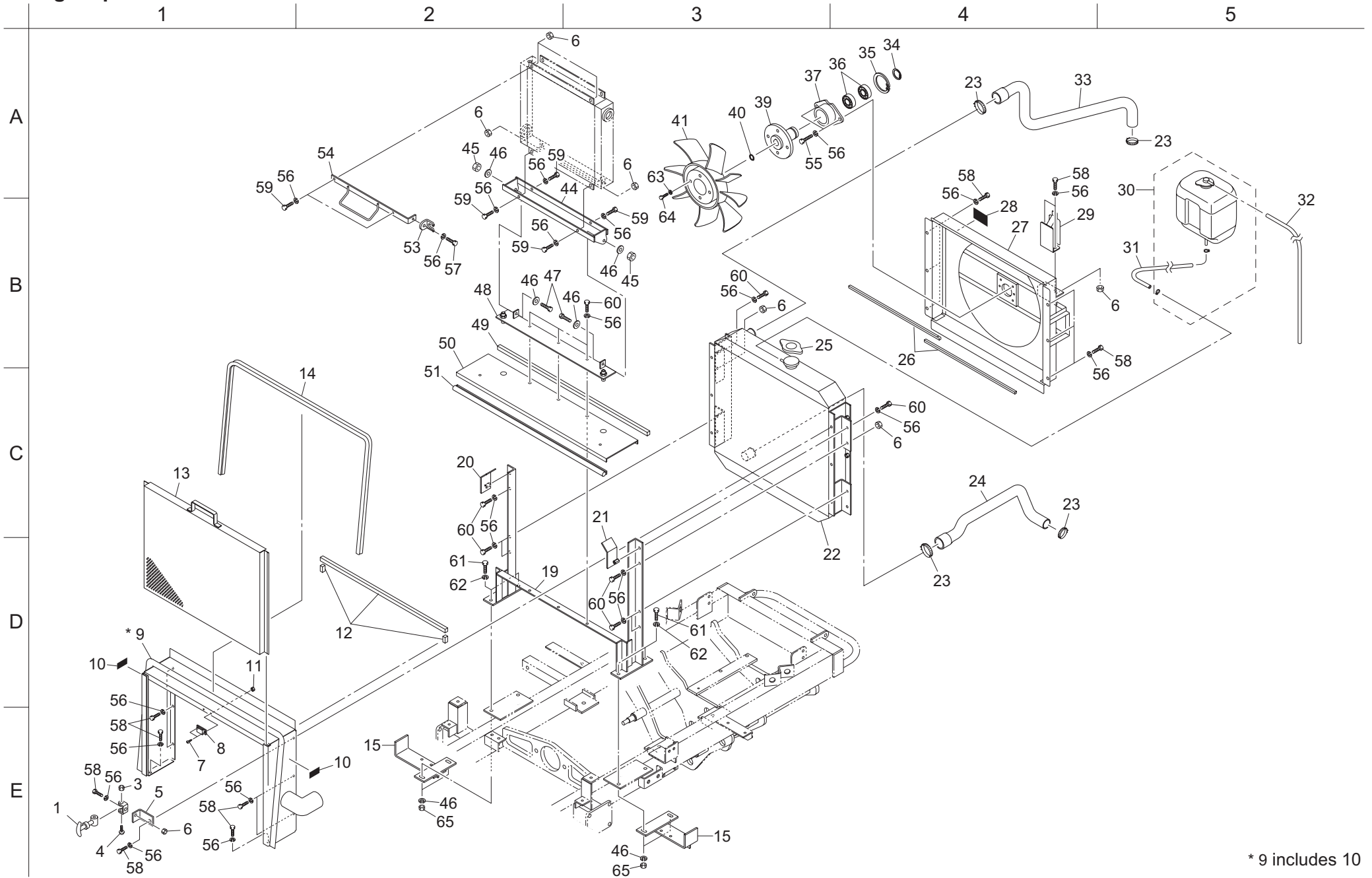
6. Pedal parts A



7. Pedal parts B



8. Engine parts A

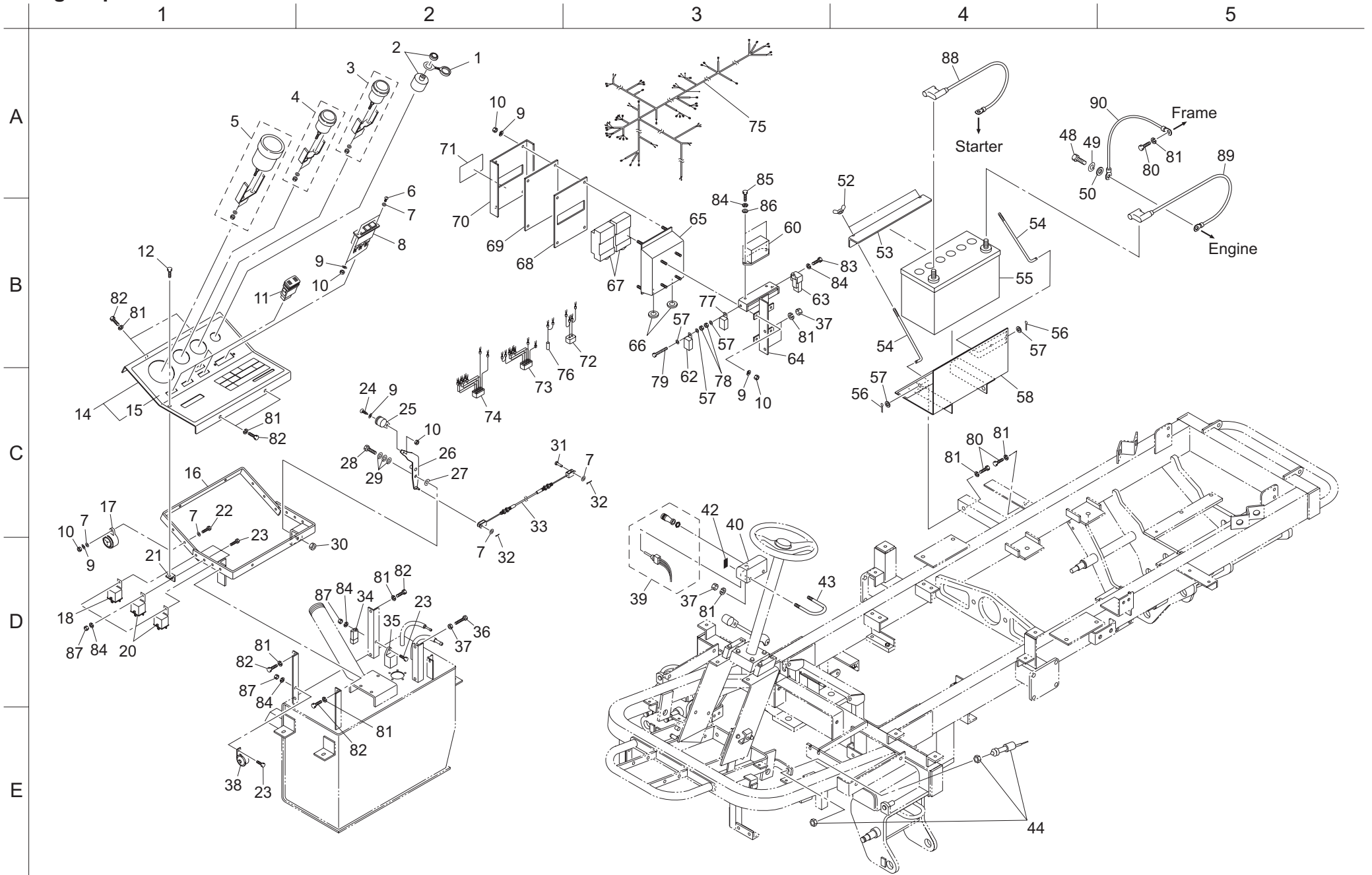


* 9 includes 10

Cat No.	Code No.	Part Name	Qty	Remark
8-1	K1520000090	rubber catch (S)	1	
8-2				
8-3	K0144060002	6U nut	1	
8-4	K0000060402	6 bolt 40	1	
8-5	LM2700-0542ZD	catch mount (L)	1	
8-6	K0100080002	8 nut	13	
8-7	K0044030152	3+ round head small screw 15SW	2	
8-8	K1510000080	magnet catch TL-107	1	
8-9	LM2700-3501Z0	dust-proof plate frame COMP	1	
8-10	K4205001580	caution mark (injury)	1	
8-11	K0100030002	3 nut	2	
8-12	K4220000040	15 urethane sponge 20700	1	
8-13	LM2700-0544ZD	dust-proof plate	1	
8-14	K3198616800	trim seal black 6100-16A-1680	1	
8-15	LM2700-0936ZD	bonnet receiver	2	
8-16				
8-17				
8-18				
8-19	LM2700-0509ZD	radiator mount	1	
8-20	LM2700-0550ZD	roller guide (R)	1	
8-21	LM2700-0549ZD	roller guide (L)	1	
8-22	LM2700-0506Z0	radiator	1	
8-23	K4260000200	jubilee band 2A	4	
8-24	LM2700-0554Z0	radiator lower hose	1	
8-25	K2731000010	radiator cap	1	
8-26	K4220000220	10 urethane sponge 10550	2	
8-27	LM2700-0508ZD	shroud	1	
8-28	K4205001530	rotating parts hazard label	1	
8-29	PF15521-7246-2	reserve tank stay	1	
8-30	PF15501-7240-4	reserve tank Ass'y	1	
8-31	LM2700-0558Z0	radiator drain hose	1	
8-32	LM2700-0559Z0	tank drain hose	1	
8-33	LM2700-0553Z0	radiator upper hose	1	
8-34	K0401025001	stop ring S25	1	
8-35	K0402047001	stop ring R47	1	

Cat No.	Code No.	Part Name	Qty	Remark
8-36	K0613060050	bearing 60052RDC3	2	
8-37	LM535F-3403Z2	pulley housing	1	
8-38				
8-39	LM2700-0507Z2	cooling fan mount	1	
8-40	K0402013001	stop ring R13	1	
8-41	PF16483-7411-1	fan	1	
8-42				
8-43				
8-44	LM2700-0569ZD	oil cooler under fitting	1	
8-45	K0144100002	10U nut	2	
8-46	K5000100002	10 washer	8	
8-47	K0000100252	10 bolt 25	2	
8-48	LM2700-0539ZD-Y	oil cooler receiver	1	
8-49	K4220000260	15 urethane sponge 15790	1	
8-50	LM2700-0538AD	dust-proof plate under frame	1	
8-51	K3198607900	trim seal black 6100-16A-790	1	
8-52				
8-53	K5270002352	rubber catch receiver	1	
8-54	LM2700-0568ZD	oil cooler upper fitting	1	
8-55	K0000080302	8 bolt 30	2	
8-56	K0200080002	8S washer	36	
8-57	K0000080102	8 bolt 10	1	
8-58	K0000080152	8 bolt 15	16	
8-59	K0000080252	8 bolt 25	6	
8-60	K0000080202	8 bolt 20	11	
8-61	K0000100302	10 bolt 30	4	
8-62	K0200100002	10S washer	4	
8-63	K0200060002	6S washer	4	
8-64	K0000060152	6 bolt 15	4	
8-65	K0100100002	10 nut	4	

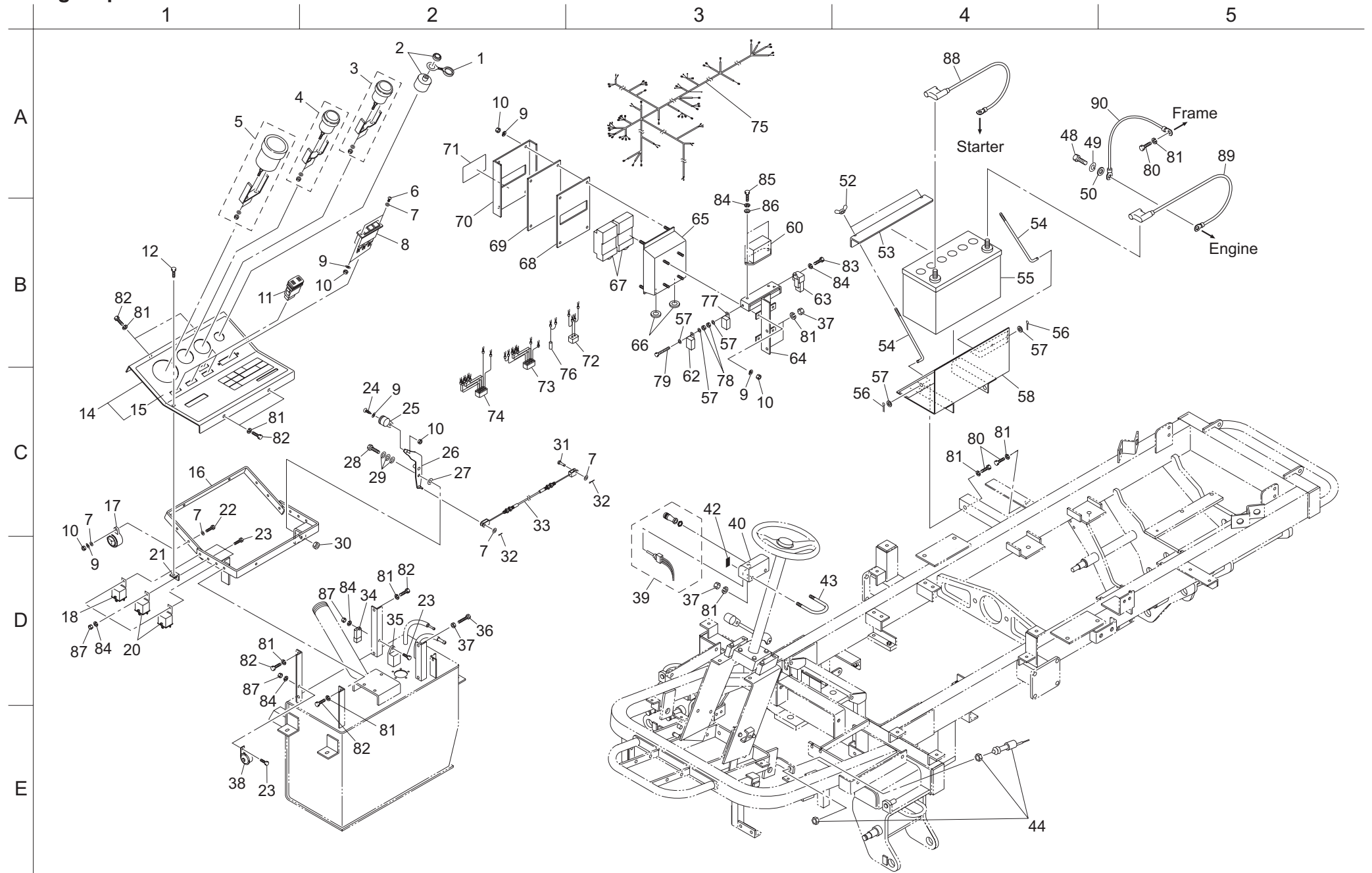
9. Engine parts B



Cat No.	Code No.	Part Name	Qty	Remark
9-1	PF54611-4112-1	starter switch cap	1	
9-2	PF15248-6359-2	starter switch Ass'y	1	
9-3	K3653000010	fuel gauge 52BG2	1	
9-4	PF19488-8303-2	water temperature gauge	1	
9-5	PF17492-8301-2	hour meter Ass'y (with RPM,HR)	1	
9-6	K0042050122	5+ round head small screw 12	2	
9-7	K5000050002	5 washer	6	
9-8	K3641000040	pilot lamp	1	
9-9	K0200050002	5S washer	12	
9-10	K0100050002	5 nut	12	
9-11	K3661000050	see-saw switch	4	
9-12	K0062080122	8 hexagonal socket button bolt 12	1	
9-13				
9-14	LM2700-3901Z0	instrument mount plate COMP	1	
9-15	LM2700-0957Z0	operation label	1	
9-16	LM2700-0937ZD	instrument mount frame	1	
9-17	K3700000010	buzzer type EBM-12	1	
9-18	K3681000080	power relay MR5A602A1K	1	
9-19				
9-20	K3681000070	power relay MR5A411A1K	2	
9-21	LM2700-0954ZD	3 angle with tap 2525	1	
9-22	K0000050252	5 bolt 25	1	
9-23	K0000060202	6 bolt 20	4	
9-24	K0042050082	5+ round head small screw 8	1	
9-25	K1301000150	throttle lever grip	1	
9-26	LM2700-0560Z2	throttle lever	1	
9-27	K5011010202	1SPCC metal washer 1020	1	
9-28	K0011100302	10 hart-treated bolt 30P1.25	1	
9-29	K0210100001	10 conical disk spring L	3	
9-30	K0103100002	10 nut P1.25	1	
9-31	K6030050152	5 flat-head pin 15	1	
9-32	K0300020202	2 split pin 20	2	
9-33	K1110161000	throttle wire 1610	1	
9-34	PF1K574-6022-1	relay COMP(12VA,D)	1	
9-35	PF15694-6599-2	timer(glow lamp)	1	

Cat No.	Code No.	Part Name	Qty	Remark
9-36	K0000080402	8 bolt 40	1	
9-37	K0100080002	8 nut	5	
9-38	K3700000020	buzzer U-WBS12	1	
9-39	K3662000030	auto-return switch ET1115G	1	
9-40	LM2700-0552ZD	switch box	1	
9-41				
9-42	K4203001420	differential lock mark	1	
9-43	K0073000052	U bolt M8×40A	1	
9-44	K3671000150	safety switch V17680A	1	
9-45				
9-46				
9-47				
9-48	K0002120202	12 bolt 20P1.25	1	
9-49	K0200120002	12S washer	1	
9-50	K5000120002	12 washer	1	
9-51				
9-52	K0141060002	6 wing nut 3	2	
9-53	GM2800-0604ZD	battery support	1	
9-54	LM2700-0546ZD	battery support rod	2	
9-55	K3600000180	battery FX105D31R	1	
9-56	K0300016122	1.6 split pin 12	2	
9-57	K5000060002	6 washer	5	
9-58	LM2700-0545ZD	battery case	1	
9-59				
9-60	K3630000090	mini-fuse block 10P-A	1	
9-61				
9-62	K3681000060	relay CA1aF-12V-N-5	1	
9-63	K3630000130	fusible link	1	
9-64	LM2700-0551ZD	box bracket	1	
9-65	GM2800-0516ZD	relay box	1	
9-66	K0900300160	grommet with film C305G16A	2	
9-67	K3680000030	terminal relay G6B-4CB	2	
9-68	GM2800-0517Z0	1 rubber packing 134189	1	
9-69	GM2800-0518Z0	1.5 acrylic board 134189	1	
9-70	GM2800-0519ZD	box cover	1	

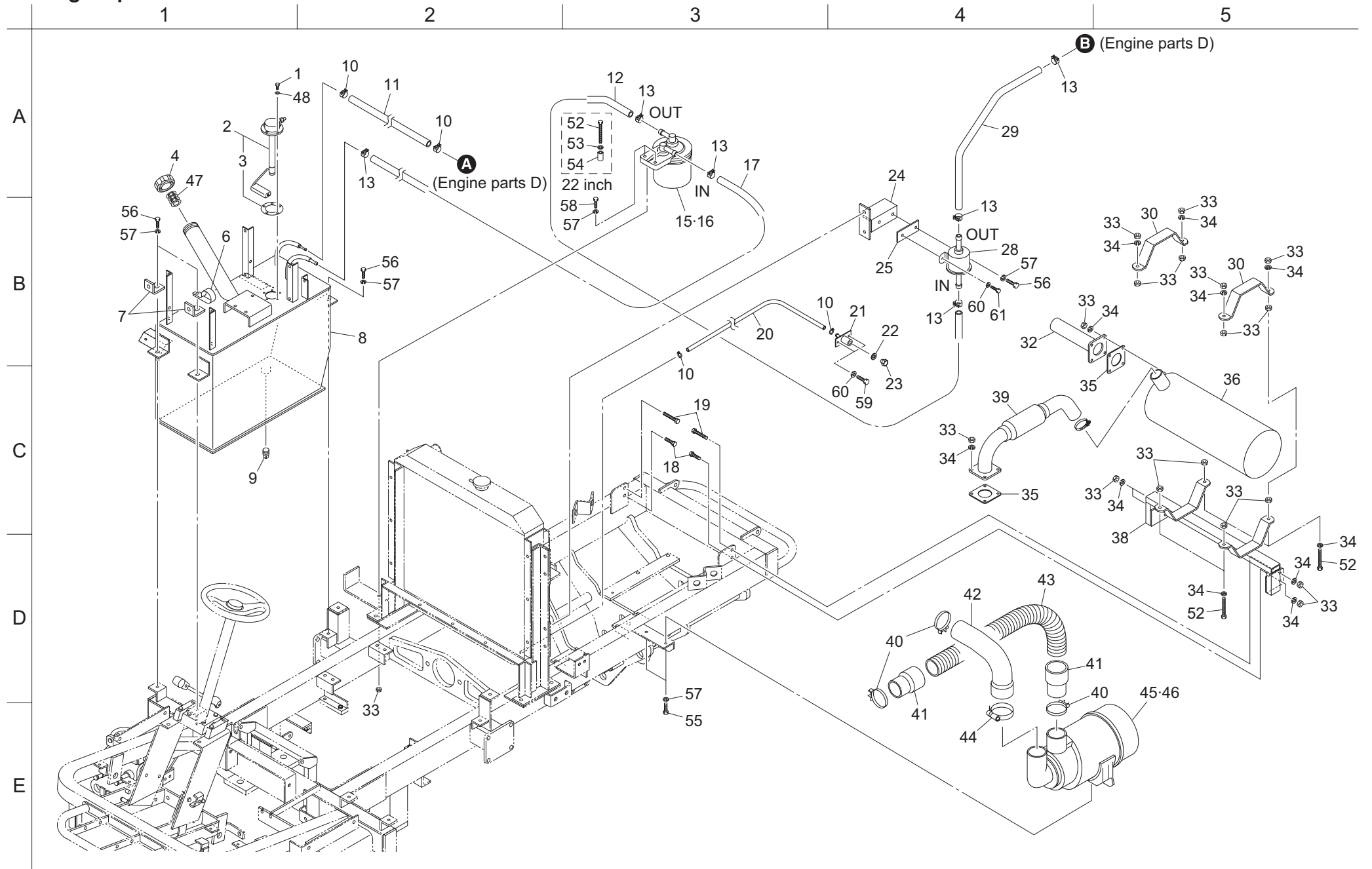
9. Engine parts B



Cat No.	Code No.	Part Name	Qty	Remark
9-71	LM2700-0573Z0	box cover label	1	
9-72	LM2700-0565Z0	relay wire C	1	
9-73	LM2700-0566Z0	relay wire A	1	
9-74	LM2700-0567Z0	relay wire B	1	
9-75	LM2700-1902Z0	harness	1	
9-76	LM2700-1901Z0	relay wire D	1	
9-77	K3681000010	relay CA1-DC12V-N	1	
9-78	K0100060002	6 nut	2	
9-79	K0000060502	6 bolt 50	1	
9-80	K0000080152	8 bolt 15	3	
9-81	K0200080002	8S washer	14	
9-82	K0000080202	8 bolt 20	7	
9-83	K0000060102	6 bolt 10	1	
9-84	K0200060002	6S washer	8	
9-85	K0000060152	6 bolt 15	2	
9-86	K5000060002	6 washer	2	
9-87	K0100060002	6 nut	5	
9-88	K3610000350	battery (+) wire 750	1	
9-89	K3611000410	battery (-) wire 600	1	
9-90	K3611000430	ground wire 500	1	

Cat No.	Code No.	Part Name	Qty	Remark

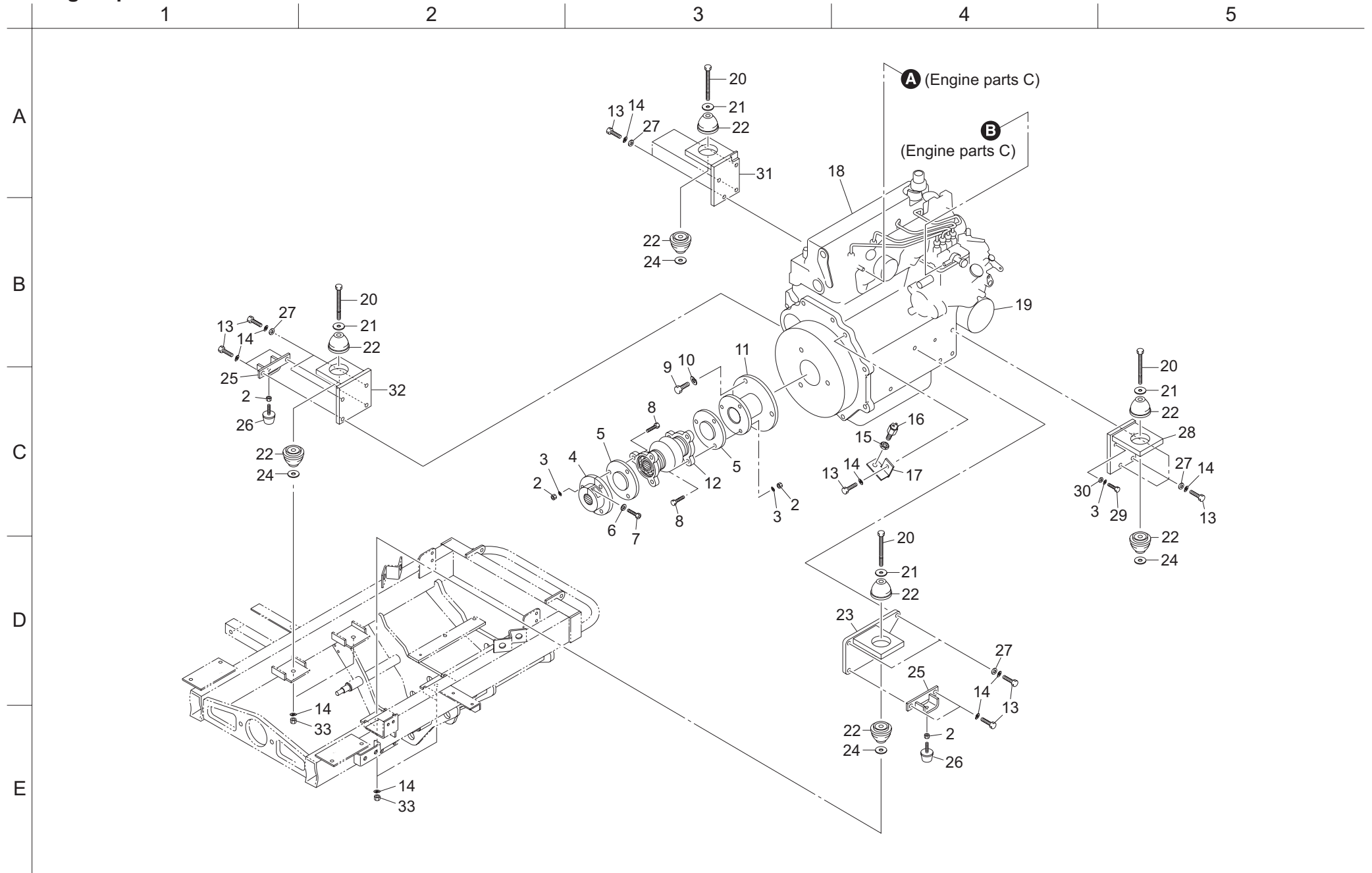
10. Engine parts C



Cat No.	Code No.	Part Name	Qty		Remark
			26	22	
10-1	K0000050152	5 bolt 15	5	5	
10-2	K2721000090	tank unit 180×195	1	1	
10-3	K2721000020	packing	1	1	
10-4	K1410000070-Y	filler cap Ass'y	1	1	
10-5					
10-6	K4270050080	50 harness clip M8	1	1	
10-7	LM2700-0950ZD	side cover mount plate	2	2	
10-8	LM2700-0701ZD-Y	fuel tank	1	1	
10-9	K1422106001-Y	tapered plug with hex.hole 1pc 3/8	1	1	
10-10	K4260000150	hose clamp 12	4	4	
10-11	K3182014000	fuel hose FUEL4×1B1400	1	1	
10-12	K3180011000	fuel hose FUEL8×1B1100	1	1	
10-13	K4260000172	hose clamp KS-11-19	6	6	
10-14					
10-15	PF15224-4301-3	fuel filter Ass'y	1	1	
10-16	PF15221-4317-0	filter element	1	1	
10-17	K3180007000	fuel hose FUEL8×1B700	1	1	
10-18	K0000080202	8 bolt 20	2	2	
10-19	K0000080352	8 bolt 35	2	2	
10-20	LM2700-0558Z0	radiator drain hose	1	1	
10-21	LM2700-0561Z2	drain joint	1	1	
10-22	LM2700-0562Z0	packing	1	1	
10-23	LM2700-0563Z0	drain plug	1	1	
10-24	LM2700-0548ZD	pump bracket	1	1	
10-25	PF66591-5456-3	anti-vibration rubber	1	1	
10-26					
10-27					
10-28	PFR1401-5135-1	fuel pump Ass'y	1	1	
10-29	K3180006000	fuel hose FUEL8×1B600	1	1	
10-30	LM2700-0524ZU	muffler mount plate	2	2	
10-31					
10-32	LM2700-0527ZU	tail pipe	1	1	
10-33	K0100080002	8 nut	26	26	
10-34	K0200080002	8S washer	16	16	
10-35	PF17326-1223-1	exhaust pipe packing	2	2	

Cat No.	Code No.	Part Name	Qty		Remark
			26	22	
10-36	PF17234-1211-4	muffler	1	1	
10-37					
10-38	LM2700-0523ZU	muffler stay	1	1	
10-39	LM2700-0525ZU	exhaust pipe	1	1	
10-40	K4261036000	4669 clamp	3	3	
10-41	K3773000650	65 banner A cuff	2	2	
10-42	LM2700-0555Z0	air cleaner hose	1	1	
10-43	K3170105500	65 banner A hose 550	1	1	
10-44	K4261044000	parker clamp 29-76	1	1	
10-45	PF1G369-1101-1	air cleaner Ass'y	1	1	
10-46	PFR1401-4227-0	outer element	1	1	
10-47	K3420000030	filter net	1	1	
10-48	K0922050000	seal washer 5WF	5	5	
10-49					
10-50					
10-51					
10-52	K0000080502	8 bolt 50	4	6	
10-53	K5000080002	8 washer	0	2	
10-54	K6212001582	8.5 STKM collar 1722	0	2	
10-55	K0000080152	8 bolt 15	3	3	
10-56	K0000080202	8 bolt 20	3	3	
10-57	K0200080002	8S washer	6	6	
10-58	K0000080252	8 bolt 25	2	0	
10-59	K0000060152	6 bolt 15	2	2	
10-60	K0200060002	6S washer	2	2	
10-61	K0000060202	6 bolt 20	1	1	

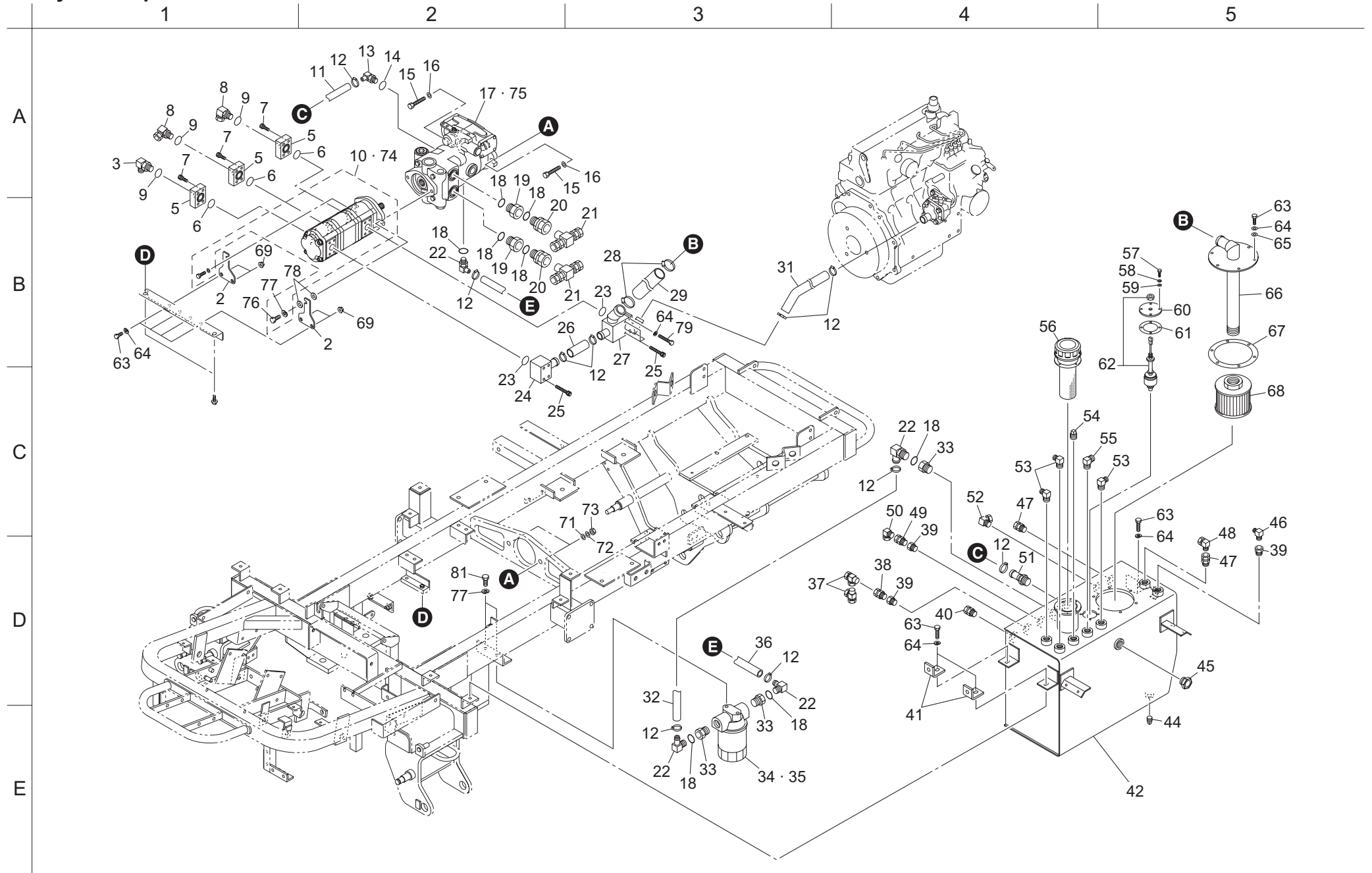
11. Engine parts D



Cat No.	Code No.	Part Name	Qty	Remark
11-1				
11-2	K0100100002	10 nut	8	
11-3	K0200100002	10S washer	7	
11-4	K6204000572	pump side drive disk	1	
11-5	K6204000562	spacer 118	2	
11-6	K0215100002	10 metal washer with conical disk washer 2H	1	
11-7	K0024100401	10 bolt with hex. hole 40	1	
11-8	K0010100402	10 heat-treated bolt 40	6	
11-9	K0010140302	14 heat-treated bolt 30	3	
11-10	K0200140002	14S washer	3	
11-11	LM2700-0501Z2	flywheel adaptor	1	
11-12	K1620000120	joint BC75ACP201	1	
11-13	K0012120352	12 heat-treated bolt 35P1.25	16	
11-14	K0200120002	12S washer	20	
11-15	K0160000142	18 special nut P1.5	1	
11-16	PF56713-4293-1	electro-magnetic pickup	1	
11-17	LM2700-0531ZD	pickup mount	1	
11-18	LM2700-0590A0	V2203-M-E3B-LMKY-1	1	
11-19	PF16414-3243-0	filter(oil, cartridge)	1	
11-20	K0013121102	12 heat-treated bolt 110	4	
11-21	K5076012402	6SPHC metal washer 1240	4	
11-22	K4042000100	engine mount	8	
11-23	LM2700-0504ZD	engine bracket C	1	
11-24	K5011613402	1.6SPCC metal washer 1340	4	for adjustment
11-25	LM2700-0564AD	rubber stopper mount	2	
11-26	K4049050000	rubber stopper KI-50	2	
11-27	K5000120002	12 washer	11	
11-28	LM2700-0505ZD	engine bracket D	1	
11-29	K0011100302	10 heat-treated bolt 30P1.25	1	
11-30	K5000100002	10 washer	1	
11-31	LM2700-0503ZD	engine bracket B	1	
11-32	LM2700-0502ZD	engine bracket A	1	
11-33	K0100120002	12 nut	4	

Cat No.	Code No.	Part Name	Qty	Remark

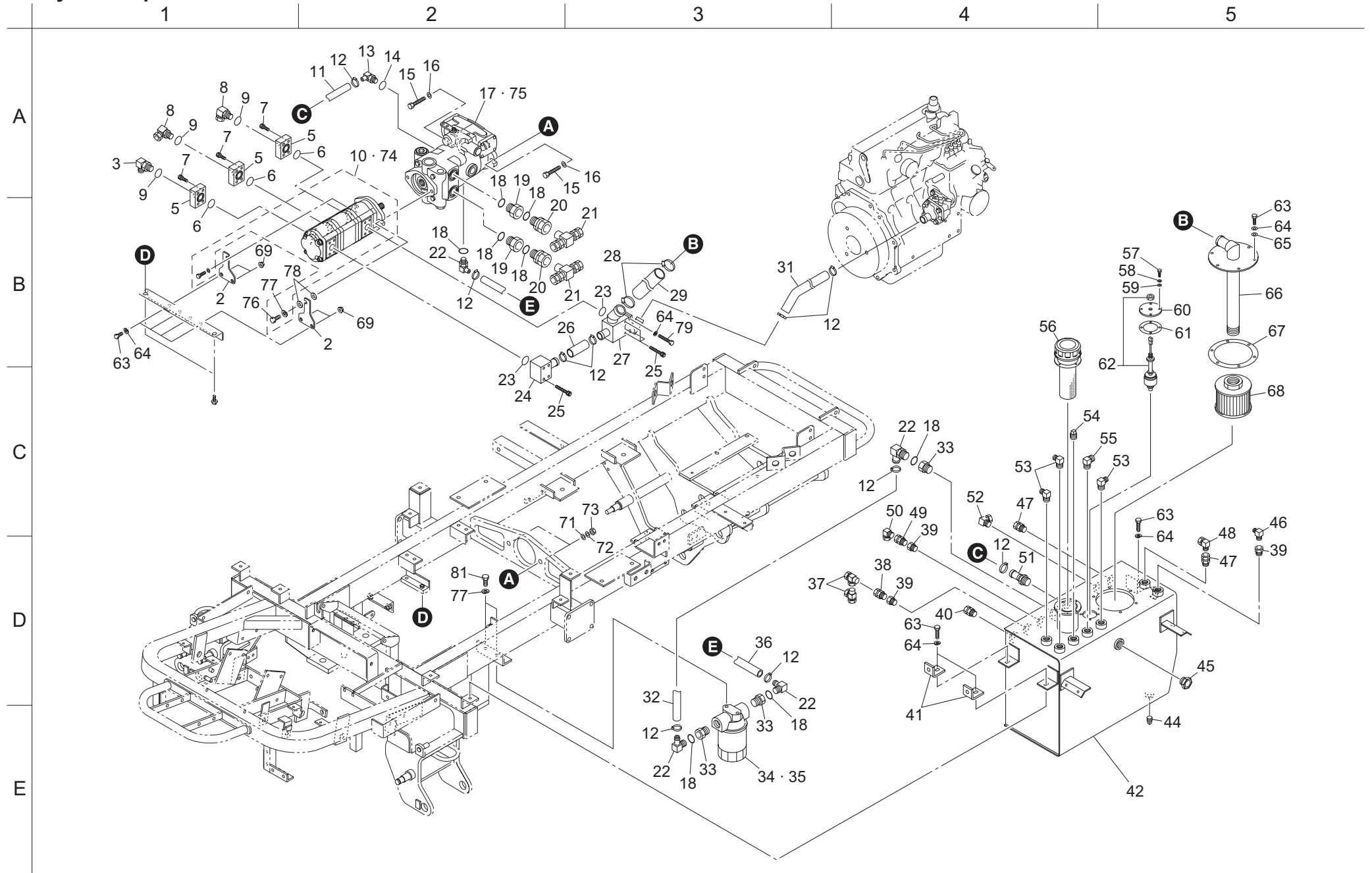
12. Hydraulic parts A



Cat No.	Code No.	Part Name	Qty	Remark
12-1				
12-2	LM2700-0803ZD	pump support plate	2	
12-3	K3008000352-Y	90 different diameter elbow PF3/8 PF1/2	1	
12-4				
12-5	LM2700-0830Z2-Y	discharge flange	3	
12-6	K0881028000	O-ring P28B	3	
12-7	K0024080251	8 bolt with hex. hole 25	12	
12-8	K3026412081-Y	elbow nipple KL012-040E	2	
12-9	K0881018000	O-ring P18B	3	
12-10	K3252000040	gear pump PBBB222	1	
12-11	LM2700-0870Z0	25 suction hose 630	1	
12-12	K4260000190	jubilee band 1	10	
12-13	K3008000302-Y	adjustable elbow FPD21941	1	
12-14	K0887009120	O-ring AS568-912	1	
12-15	K0010120502	12 heat-treated bolt 50	2	
12-16	K5073212352	3.2SPHC metal washer 1235	2	
12-17	K3244000030	piston pump 72400	1	
12-18	K0887009160	O-ring AS568-916	8	
12-19	K3008000632-Y	O-ring connector 4043-1 5/16-O	2	
12-20	K3008000622-Y	O-ring connector 1202-25-1 5/16	2	
12-21	K3027025001-Y	tee KTB25-000E	2	
12-22	K3008000312-Y	adjustable elbow FPD21939	4	
12-23	K0883025000	1AG-25 O-ring	2	
12-24	LM2700-0805Z2-Y	suction flange	1	
12-25	K0024080601	8 bolt with hex. hole 60	7	
12-26	LM2700-3844Z0	bypass hose	1	
12-27	LM2700-0804Z2-Y	common suction flange	1	
12-28	K4260000200	jubilee band 2A	2	
12-29	LM2700-0872Z0	38 suction hose 390	1	
12-30				
12-31	LM2700-0871Z0	25 suction hose 780	1	
12-32	LM2700-0868Z0	25 suction hose 210	1	
12-33	K3008000642-Y	O-ring connector 4400-25-16	3	
12-34	K3410000020	cartridge filter CF-80-10U	1	
12-35	K3410000030	filter for the substitute F-913-1	1	

Cat No.	Code No.	Part Name	Qty	Remark
12-36	LM2700-0869Z0	25 suction hose 140	1	
12-37	K3027210001-Y	tee KTC10-000E	2	
12-38	K3026610061-Y	connector KCT10-030E	1	
12-39	K3020080601-Y	bushing BUT1/2×3/8	3	
12-40	K3026612081-Y	connector KCT12-040E	1	
12-41	LM2700-0950ZD	side cover mount plate	2	
12-42	LM2700-0801ZD-Y	hydraulic tank	1	
12-43				
12-44	K1422106001-Y	tapered plug with hex.hole 1pc 3/8	1	
12-45	K1400000044-Y	PF3/4 oil quantity plug type M	1	
12-46	K3006000012-Y	different diameter elbow PT3/8 PF1/4	1	
12-47	K3026610081-Y	connector KCT10-040E	2	
12-48	K3027110001-Y	elbow KLC10-000E	1	
12-49	K3026612061-Y	connector KCT12-030E	1	
12-50	K3027112001-Y	elbow KLC12-000E	1	
12-51	K3009000132-Y	special adaptor MO-JS-25	1	
12-52	K3028012081-Y	elbow KLN12-040E	1	
12-53	K3006000022-Y	different diameter elbow PT1/2 PF3/8	3	
12-54	K1422108001-Y	tapered plug with hex.hole 1pc 1/2	1	
12-55	K3001120002-Y	90 elbow 1033-12	1	
12-56	K3400000030	refueling hole breather FAB-50	1	
12-57	K0000060202	6 bolt 20	4	
12-58	K0200060002	6S washer	4	
12-59	K5000060002	6 washer	4	
12-60	LM526--0809Z2-Y	oil level sensor mount plate	1	
12-61	LM526--0808Z0	packing	1	
12-62	K3720000130	level switch	1	
12-63	K0000080202	8 bolt 20	12	
12-64	K0200080002	8S washer	14	
12-65	K5000080002	8 washer	6	
12-66	LM2700-0802Z2-Y	suction hose attachment	1	
12-67	LM535E-0434Z0	suction port packing	1	
12-68	K3413000040	suction filter SFT-10-150W	1	
12-69	K0100080002	8 nut	4	
12-70				

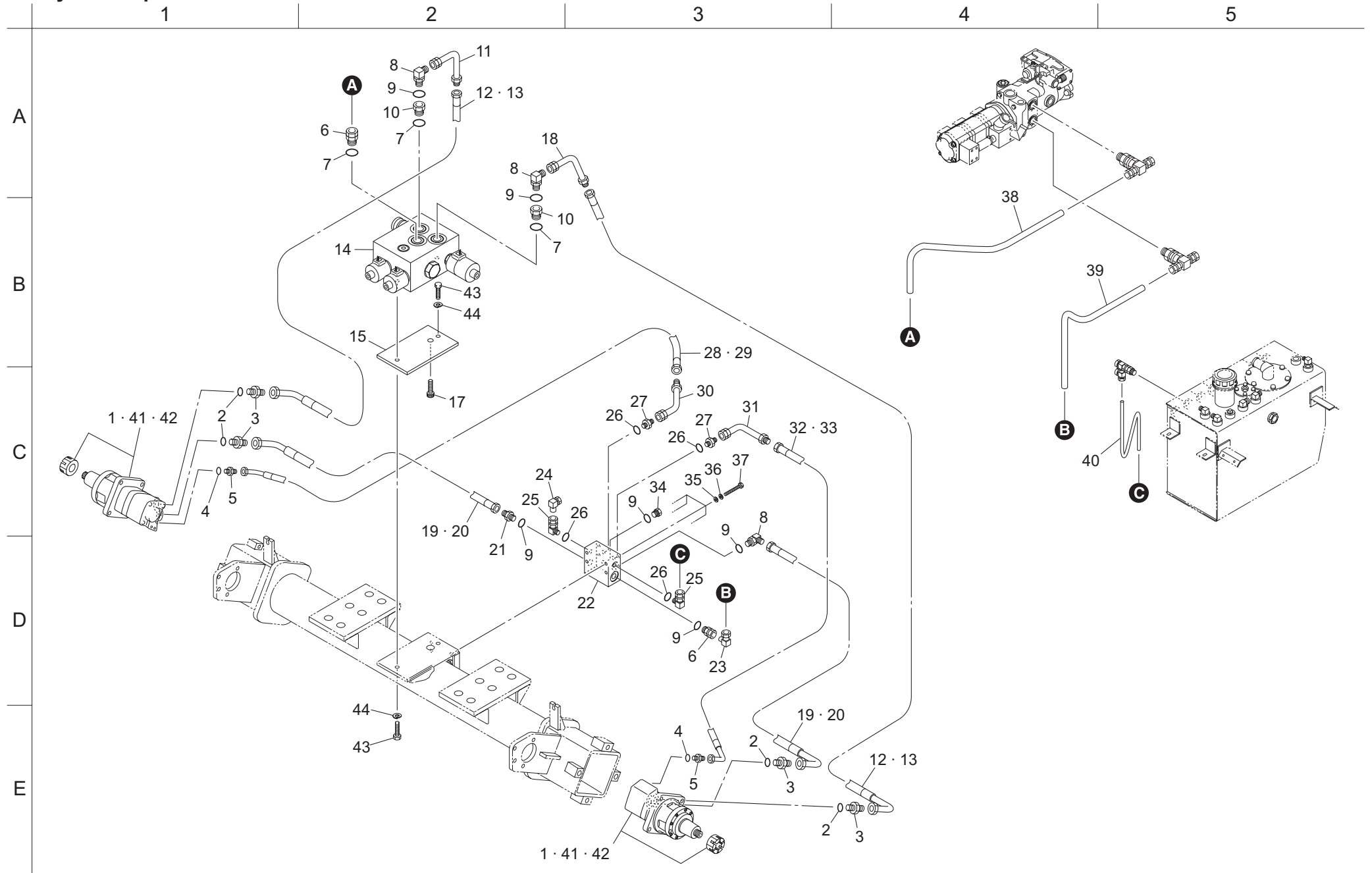
12. Hydraulic parts A



Cat No.	Code No.	Part Name	Qty	Remark
12-71	K5000120002	12 washer	2	
12-72	K0200120002	12S washer	2	
12-73	K0100120002	12 nut	2	
12-74	Y61-24603	repair kit	1	
12-75	Y72400-908	piston pump 72400 seal kit	1	
12-76	K0069000221	3/8-16 UNC bolt 38.1	2	
12-77	K0200100002	10S washer	4	
12-78	K5000100002	10 washer	2	
12-79	K0000080602	8 bolt 60	1	
12-80				
12-81	K0000100202	10 bolt 20	2	

Cat No.	Code No.	Part Name	Qty	Remark

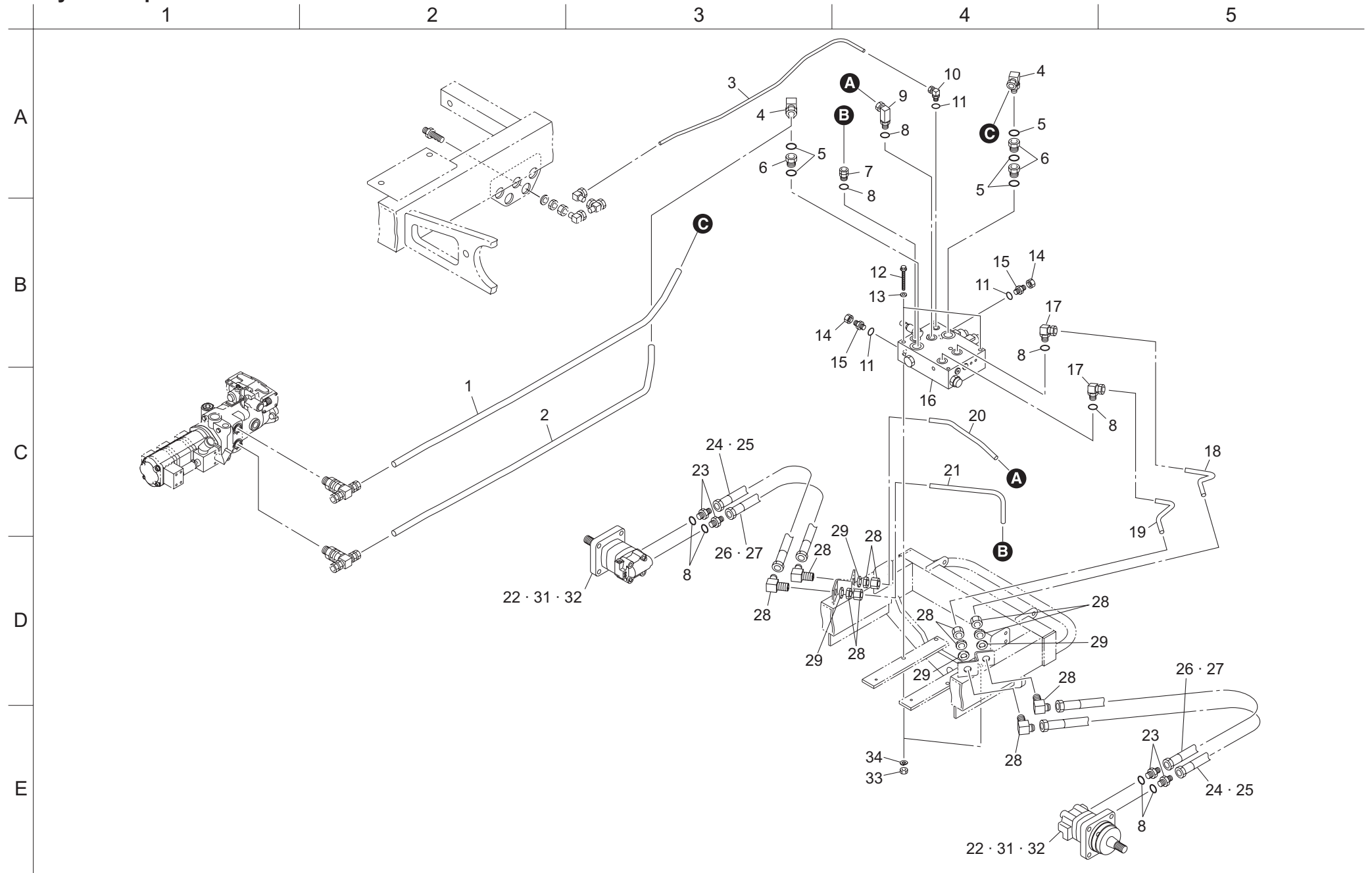
13. Hydraulic parts B



Cat No.	Code No.	Part Name	Qty	Remark
13-1	K3291000180	wheel motor 4-330BBAS-F9183	2	
13-2	K0887009120	O-ring AS568-912	4	
13-3	K3008000382-Y	O-ring connector 1	4	
13-4	K0887009040	O-ring AS568-904	2	
13-5	K3008000342-Y	O-ring connector 1096-6	2	
13-6	K3026325121-Y	connector KCO25-060E	2	
13-7	K0881024000	O-ring P24B	3	
13-8	K3008000042-Y	90 adjuster elbow 1086-12	3	
13-9	K0881018000	O-ring P18B	6	
13-10	K3029000312-Y	special bushing PF1/2 PF3/4	2	
13-11	K3025069082-Y	pipe adaptor 069-08	1	
13-12	K3106430710	WP245-12 hose 3-700	2	
13-13	K3191006100	SP-15 coil tube 610	2	
13-14	K3313000300	solenoid valve V4200 COMP	1	
13-15	LM2700-0831ZD	differential lock valve mount plate	1	
13-16				
13-17	K0024100151	10 bolt with hex. hole 15	1	
13-18	K302506L082-Y	pipe adaptor 06L-08	1	
13-19	K3106430610	WP245-12 hose 3-610	2	
13-20	K3191005100	SP-15 coil tube 510	2	
13-21	K3009000092-Y	special adaptor PF1/2 PF1/2	1	
13-22	LM2700-0821Z2-Y	manifold	1	
13-23	K3027125001-Y	elbow KLC25-000E	1	
13-24	K3027110001-Y	elbow KLC10-000E	1	
13-25	K3026410041-Y	elbow nipple KLO10-020E	2	
13-26	K0881011000	O-ring P11B	4	
13-27	K3008000232-Y	O-ring connector PF1/4 PF1/4	2	
13-28	K3101220740	WP70-6 hose 2-740	1	
13-29	K3190006400	SP-12 coil tube 640	1	
13-30	K3025064042-Y	pipe adaptor 064-04	1	
13-31	K3025069042-Y	pipe adaptor 069-04	1	
13-32	K3101220690	WP70-6 hose 2-690	1	
13-33	K3190005900	SP-12 coil tube 590	1	
13-34	K1420000232-Y	O-ring plug 215-PF1/2	1	
13-35	K5000080002	8 washer	4	

Cat No.	Code No.	Part Name	Qty	Remark
13-36	K0200080002	8S washer	4	
13-37	K0000080702	8 bolt 70	4	
13-38	LM2700-0824Z2-Y	piston pump pipe C 1	1	
13-39	LM2700-0825Z2-Y	piston pump pipe D 1	1	
13-40	LM2700-0846Z2-Y	front wheel manifold drain pipe 1	1	
13-41	Y61234	seal kit 2 (rear side) for wheel motor 4-330BBAS	2	
13-42	YAE0235A	seal kit 2 (shaft side) for wheel motor 4-330BBAS	2	
13-43	K0000100302	10 bolt 30	2	
13-44	K0200100002	10S washer	2	

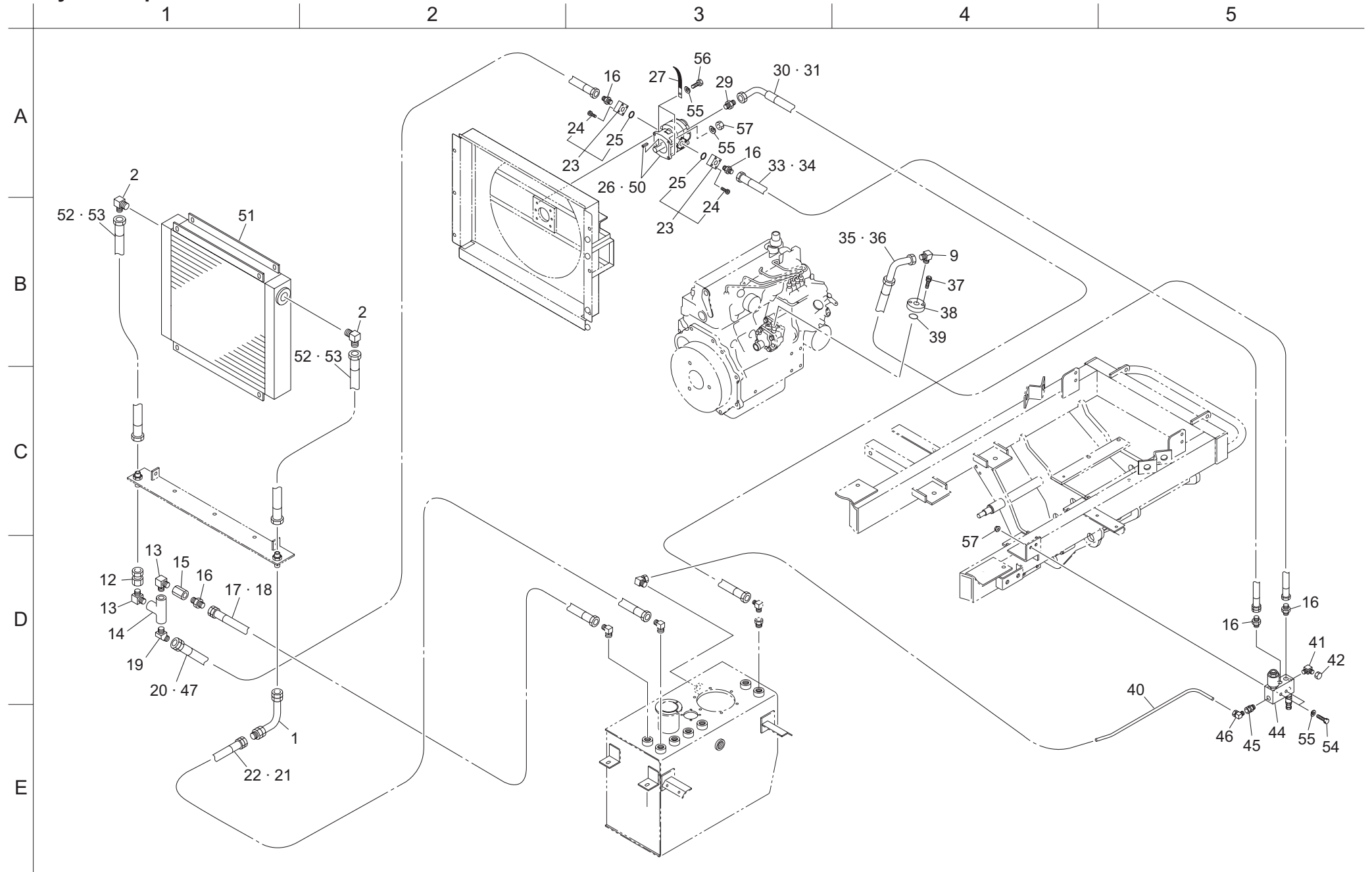
14. Hydraulic parts C



Cat No.	Code No.	Part Name	Qty	Remark
14-1	LM2700-0822Z2-Y	piston pump pipe A	1	
14-2	LM2700-0823Z2-Y	piston pump pipe B	1	
14-3	LM2700-0836Z2-Y	V5260 drain pipe	1	
14-4	K3026425121-Y	elbow nipple KLO25-060E	2	
14-5	K0881024000	O-ring P24B	5	
14-6	K3008000662-Y	O-ring connector 1110-19-19	3	
14-7	K3026316081-Y	connector KC016-040E	1	
14-8	K0881018000	O-ring P18B	8	
14-9	K3028416081-Y	long elbow nipple KLG16-040E	1	
14-10	K3026410041-Y	elbow nipple KLO10-020KNNT	1	
14-11	K0881011000	O-ring P11B	3	
14-12	K0000101002	10 bolt 100	2	
14-13	K5000100002	10 washer	2	
14-14	K3008000482-Y	screw cap female PF1/4	2	
14-15	K3008000232-Y	O-ring connector PF1/4 PF1/4	2	
14-16	K3313000290	solenoid valve V4205COMP	1	
14-17	K3026416081-Y	elbow nipple KLO16-040E	2	
14-18	LM2700-0826Z2-Y	rear wheel pipe A	1	
14-19	LM2700-0827Z2-Y	rear wheel pipe B	1	
14-20	LM2700-0829Z2-Y	rear wheel pipe D	1	
14-21	LM2700-0828Z2-Y	rear wheel pipe C	1	
14-22	K3291000130	orbit motor 2-160BS4S-E341	2	
14-23	K3009000092-Y	special adaptor PF1/2 PF1/2	4	
14-24	K3106410850	WP245-12 hose 1-850	2	
14-25	K3191007500	SP-15 coil tube 750	2	
14-26	K3106410800	WP245-12 hose 1-800	2	
14-27	K3191007000	SP-15 coil tube 700	2	
14-28	K3028716081-Y	bulkhead union elbow KLH16-040E	4	
14-29	K0214240001	24 metal washer with conical disk spring 2L	4	
14-30				
14-31	Y61091S	2000 orbit motor seal kit(for shaft)	2	
14-32	Y61090S	2000 orbit motor seal kit(for rear)	2	
14-33	K0100100002	10 nut	2	
14-34	K0200100002	10S washer	2	

Cat No.	Code No.	Part Name	Qty	Remark

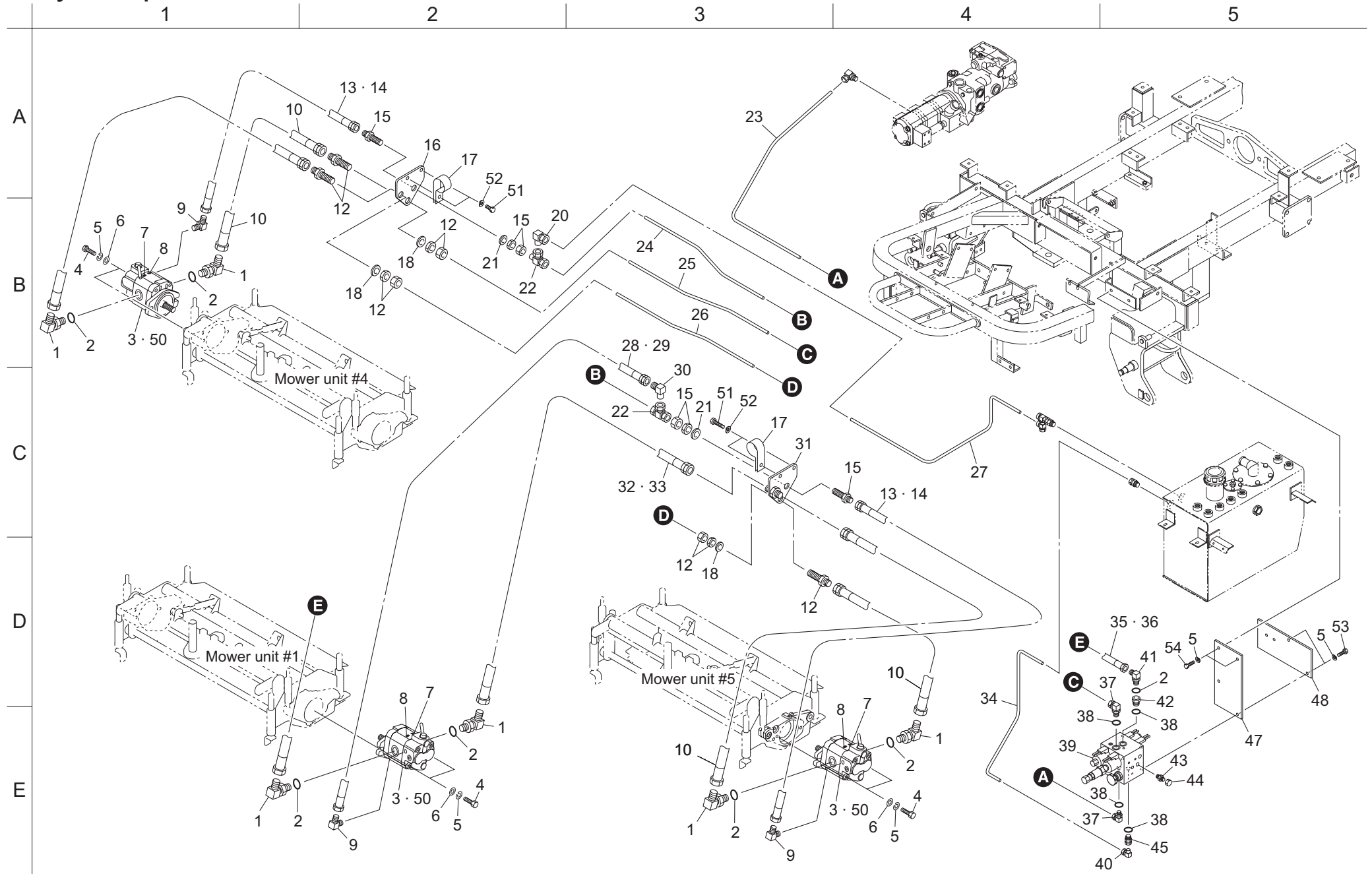
15. Hydraulic parts D



Cat No.	Code No.	Part Name	Qty	Remark
15-1	K3025069062-Y	pipe adaptor 069-06	1	
15-2	K3006000022-Y	different diameter elbow PT1/2PF3/8	2	
15-3				
15-4				
15-5				
15-6				
15-7				
15-8				
15-9	K3001090002-Y	90 elbow 1033-9	1	
15-10				
15-11				
15-12	K3008000712-Y	swivel connector 06	1	
15-13	K3006000072-Y	same diameter elbow PT3/8	2	
15-14	K3021060002-Y	screwed type tee TEFPT3/8	1	
15-15	K3340000030	in-line check valve 03-100	1	
15-16	K3000090002-Y	adaptor 1013-9	5	
15-17	K3100311050	WP35-9 hose 1-1050	1	
15-18	K3191009500	SP-15 coil tube 950	1	
15-19	K3003090002-Y	45 elbow 1035-9	1	
15-20	K3100310700	WP35-9 hose 1-700	1	
15-21	K3191008000	SP-15 coil tube 800	1	
15-22	K3100310900	WP35-9 hose 1-900	1	
15-23	K3281000010	Ø14.8 port flange type D	2	
15-24	K0024060301	6 bolt with hex. hole 30	2	
15-25	K0881022000	O-ring P22B	2	
15-26	K3280000240	gear motor MA7AD661	1	
15-27	K4281000020	8.5 harness clamp 80	1	
15-28				
15-29	K3007000032-Y	different diameter adaptor PT1/8 PF1/4	1	
15-30	K3101231520	WP70-6 hose 3-1520	1	
15-31	K3190014200	SP-12 coil tube 1420	1	
15-32				
15-33	K3101310550	WP70-9 hose 1-550	1	
15-34	K3191004500	SP-15 coil tube 450	1	
15-35	K3101330360	WP70-9 hose 3-360	1	

Cat No.	Code No.	Part Name	Qty	Remark
15-36	K3191002600	SP-15 coil tube 260	1	
15-37	K0024080251	8 bolt with hex. hole 25	2	
15-38	LM2700-0811Z2-Y	pump flange	1	
15-39	K0881020000	O-ring P20B	1	
15-40	LM2700-0851Z2-Y	V4127A tank pipe	1	
15-41	K3006000152-Y	different diameter elbow PT1/8 PF1/4	1	
15-42	K3008000482-Y	screw cap female PF1/4	1	
15-43				
15-44	K3313000250	solenoid valve V4209	1	
15-45	K3026612061-Y	connector KCT12-030E	1	
15-46	K3027112001-Y	elbow KLC12-000E	1	
15-47	K3191006000	SP-15 coil tube 600	1	
15-48				
15-49				
15-50	Y61-25070	seal kit for MA gear motor 661	1	
15-51	LM2700-3838Z0	oil cooler	1	
15-52	K3100310380	WP35-9 hose 1-380	2	
15-53	K3191002800	SP-15 coil tube 280	2	
15-54	K0000080502	8 bolt 50	2	
15-55	K0200080002	8S washer	6	
15-56	K0000080202	8 bolt 20	2	
15-57	K0100080002	8 nut	4	

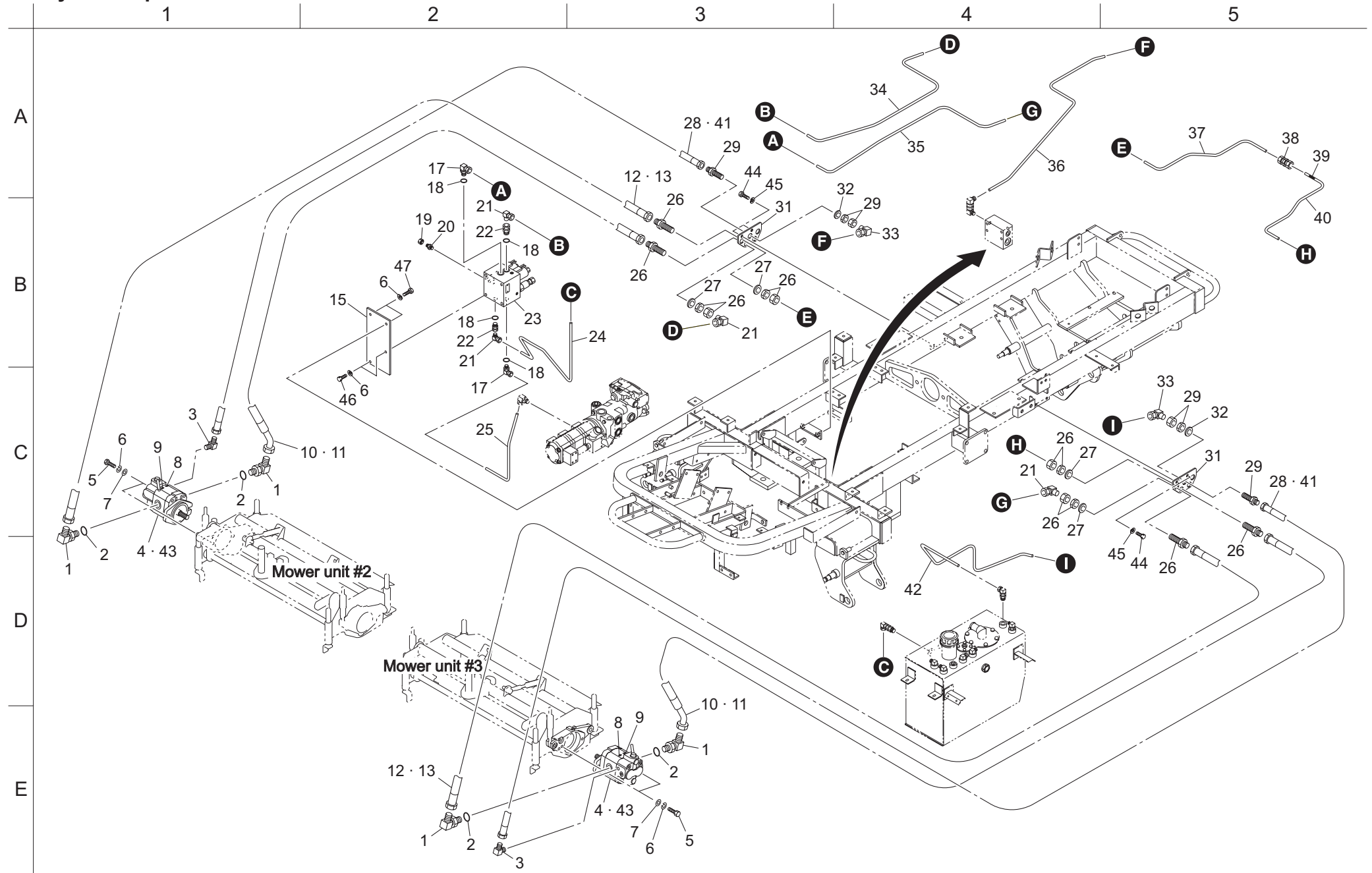
16. Hydraulic parts E



Cat No.	Code No.	Part Name	Qty	Remark
16-1	K3008000352-Y	90 different diameter elbow PT3/8 PF1/2	6	
16-2	K0881018000	O-ring P18B	7	
16-3	K3280000230	gear motor MB4AK379	3	
16-4	K0000100302	10 bolt 30	6	
16-5	K0200100002	10S washer	10	
16-6	K5000100002	10 washer	6	
16-7	K4203001300	reel rotation mark	3	
16-8	K4203001310	reel stop mark	3	
16-9	K3001060002-Y	90 elbow 1033-6	3	
16-10	LM2700-3841Z0	WP140-9 hose 1-1400	4	
16-11				
16-12	K3026912061-Y	bulkhead union KUE12-030E	3	
16-13	K3101211450	WP70-6 hose 1-1450	2	
16-14	K3190013500	SP-12 coil tube 1350	2	
16-15	K3026910041-Y	bulkhead union KUE10-020E	2	
16-16	LM2700-0833Z2	mower unit #4 relay plate	1	
16-17	K4270050080	50 harness clip M8	2	
16-18	K0214180001	18 metal washer with conical disk spring 2L	3	
16-19				
16-20	K3027110001-Y	elbow KLC10-000E	1	
16-21	K0214160001	16 metal washer with conical disk spring 2L	2	
16-22	K3027210001-Y	tee KTC10-000E	2	
16-23	LM2700-0854Z2-Y	V5259 pump pipe	1	
16-24	LM2700-0845Z2-Y	#5 motor drain pipe	1	
16-25	LM2700-0857Z2-Y	#4 motor OUT pipe	1	
16-26	LM2700-0859Z2-Y	#5 motor IN pipe	1	
16-27	LM2700-0844Z2-Y	#4 motor drain pipe	1	
16-28	K3101221860	WP70-6 hose 2-1860	1	
16-29	K3190017600	SP-12 coil tube 1760	1	
16-30	K3028510041-Y	hose connection elbow HLD10-20E	1	
16-31	LM2700-0832Z2-Y	#5 mower relay fitting	1	
16-32	K3103321970	WP140-9 hose 2-1970	1	
16-33	K3191018700	SP-15 coil tube 1870	1	
16-34	LM2700-0858Z2-Y	V5259 tank pipe	1	
16-35	K3103311840	WP140-9 hose 1-1840	1	

Cat No.	Code No.	Part Name	Qty	Remark
16-36	K3191017400	SP-15 coil tube 1740	1	
16-37	K3026412061-Y	elbow nipple KL012-030KNNT	2	
16-38	K0881014000	O-ringP14B	4	
16-39	K3313000280	solenoid valve V5259A COMP	1	
16-40	K3027112001-Y	elbow KLC12-000E	1	
16-41	K3008000032-Y	90 adjuster elbow1086-9	1	
16-42	K3029000282-Y	special bushing PF3/8 PF3/8	1	
16-43	K3000060002-Y	adaptor 1013-6	1	
16-44	K3008000482-Y	screw cap female PF1/4	1	
16-45	K3026312061-Y	connector KCO12-030E	1	
16-46				
16-47	LM2700-0814ZD	valve mount plate for mower unit #1#4#5	1	
16-48	LM2700-0866ZD	manifold mount plate	1	
16-49				
16-50	YCG0038A	seal kit for MB gear motor 379	3	
16-51	K0000080202	8 bolt 20	4	
16-52	K0200080002	8S washer	4	
16-53	K0000100252	10 bolt 25	2	
16-54	K0000100302	10 bolt 30	2	

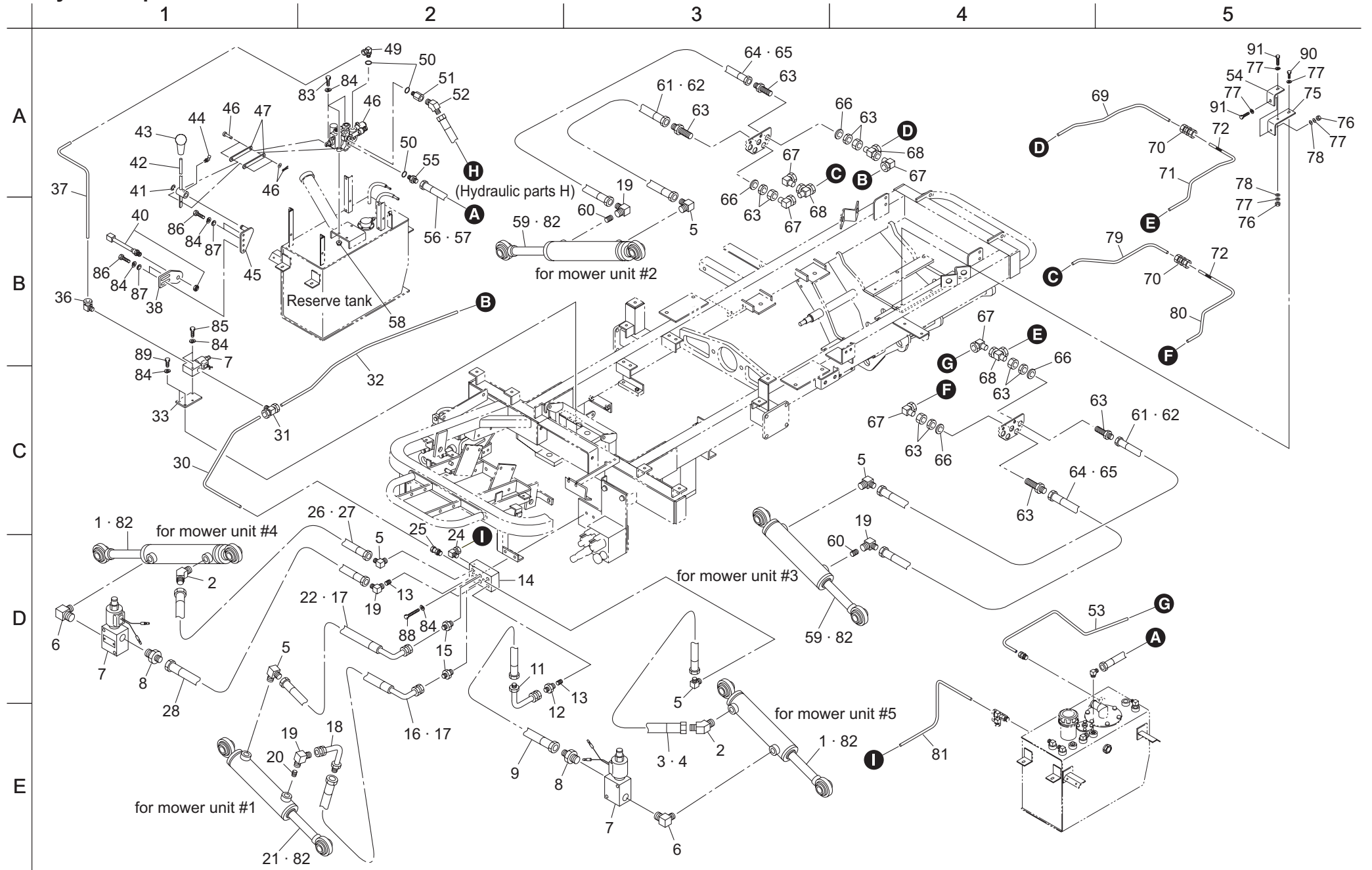
17. Hydraulic parts F



Cat No.	Code No.	Part Name	Qty	Remark
17-1	K3008000352-Y	90 different diameter elbow PT3/8 PF1/2	4	
17-2	K0881018000	O-ring P18B	4	
17-3	K3001060002-Y	90 elbow 1033-6	2	
17-4	K3280000230	gear motor MB4AK379	2	
17-5	K0000100302	10 bolt 30	4	
17-6	K0200100002	10S washer	8	
17-7	K5000100002	10 washer	4	
17-8	K4203001310	reel stop mark	2	
17-9	K4203001300	reel rotation mark	2	
17-10	K3103321020	WP140-9 hose 2-1020	2	
17-11	K3191009200	SP-15 coil tube 920	2	
17-12	K3103311000	WP140-9 hose 1-1000	2	
17-13	K3191009000	SP-15 coil tube 900	2	
17-14				
17-15	LM2700-0813ZD	valve mount plate for mower unit #2#3	1	
17-16				
17-17	K3026412061-Y	elbow nipple KL012-030E	2	
17-18	K0881014000	O-ring P14B	4	
17-19	K3008000482-Y	screw cap female PF1/4	1	
17-20	K3000060002-Y	adaptor 1013-6	1	
17-21	K3027112001-Y	elbow KLC12-000E	4	
17-22	K3026312061-Y	connector KCO12-030E	2	
17-23	K3313000280	solenoid valve V5259A COMP	1	
17-24	LM2700-3834Z2-Y	V5259A tank pipe	1	
17-25	LM2700-3836Z2-Y	V5259A pump pipe	1	
17-26	K3026912061-Y	bulkhead union KUE12-030E	4	
17-27	K0214180001	18 metal washer with conical disk spring 2L	4	
17-28	K3101211000	WP70-6 hose 1-1000	2	
17-29	K3026910041-Y	bulkhead union KUE10-020E	2	
17-30				
17-31	LM2700-0812ZD	mower unit #2#3 relay plate	2	
17-32	K0214160001	16 metal washer with conical disk spring 2L	2	
17-33	K3027110001-Y	elbow KLC10-000E	2	
17-34	LM2700-3835Z2-Y	#2 motor OUT pipe	1	
17-35	LM2700-3837Z2-Y	#2 motor IN pipe	1	

Cat No.	Code No.	Part Name	Qty	Remark
17-36	LM2700-0841Z2-Y	#2 motor drain pipe	1	
17-37	LM2700-0862Z2-Y	#2 motor IN pipe	1	
17-38	K3028612001-Y	union KUA12-000E	1	
17-39	K3186000500	Ø10 tetoron braid hose 50	1	
17-40	LM2700-0839Z2-Y	#3 motor OUT pipe	1	
17-41	K3190009000	SP-12 coil tube 900	2	
17-42	LM2700-0843Z2-Y	#3 motor drain pipe	1	
17-43	YCG0038A	seal kit for MB gear motor 379	2	
17-44	K0000080202	8 bolt 20	4	
17-45	K0200080002	8S washer	4	
17-46	K0000100202	10 bolt 20	2	
17-47	K0000100302	10 bolt 30	2	

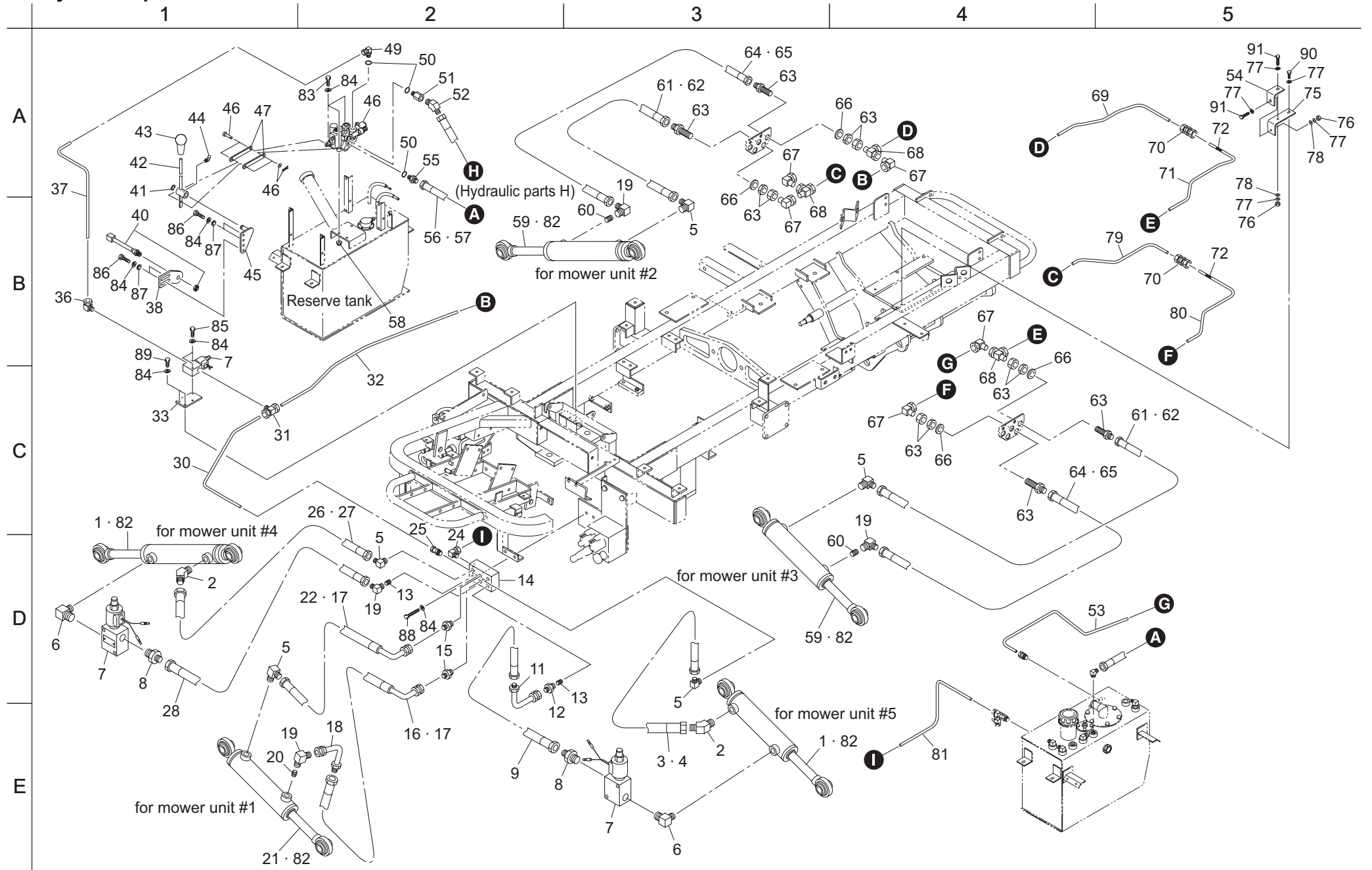
18. Hydraulic parts G



Cat No.	Code No.	Part Name	Qty	Remark
18-1	K3212000450	40-200 cylinder 387	2	
18-2	K3003060002-Y	45 elbow 1035-6	2	
18-3	K3101210650	WP70-6 hose 1-650	1	
18-4	K3190005500	SP-12 coil tube 550	1	
18-5	K3001060002-Y	90 elbow 1033-6	5	
18-6	K3006000032-Y	different diameter elbow PT1/4 PT3/8	2	
18-7	K3313000040	electro-check valve V4029	3	
18-8	K3009000042-Y	special adaptor PF1/4 PT3/8	2	
18-9	LM2700-3842Z0	WP105-6 hose 2-800	1	
18-10				
18-11	K302506L042-Y	pipe adaptor 06L-04	1	
18-12	K3009000272-Y	special adaptor 1013-6M6	1	
18-13	K0023000051-Y	6 hollow set screw 6-1.2	2	
18-14	LM2700-0834Z2-Y	cylinder manifold	1	
18-15	K3000060002-Y	adaptor 1013-6	2	
18-16	K3102230600	WP105-6 hose 3-600	1	
18-17	K3190005000	SP-12 coil tube 500	2	
18-18	K3025069042-Y	pipe adaptor 069-04	1	
18-19	K3029000252-Y	90 elbow 1033-6M6	4	
18-20	K0023000061-Y	6 hollow set screw 6-1.6	1	
18-21	K3212000440	40-138 cylinder 363	1	
18-22	K3101230600	WP70-6 hose 3-600	1	
18-23				
18-24	K3028010041-Y	elbow KLN10-020KNNT	1	
18-25	K3026610041-Y	connector KCT10-020E	1	
18-26	K3101211040	WP70-6 hose 1-1040	1	
18-27	K3190009400	SP-12 coil tube 940	1	
18-28	LM2700-3843Z0	WP105-6 hose 2-1100	1	
18-29				
18-30	LM2700-0847Z2-Y	#1-4-5 cylinder pipe	1	
18-31	K3028210061-Y	nipple-in-tee KTN10-030E	1	
18-32	LM2700-0840Z2-Y	#2 cylinder pipe	1	
18-33	LM2700-0865ZD	valve plate	1	
18-34				
18-35				

Cat No.	Code No.	Part Name	Qty	Remark
18-36	K3028012061-Y	elbow KLN12-030KNNT	1	
18-37	LM2700-0856Z2-Y	cylinder pipe	1	
18-38	LM2700-0625ZD	switch mount plate	1	
18-39				
18-40	LM2700-0557Z0	proximity sensor E2E-X5E	1	
18-41	K0400012002	stop ring E12	1	
18-42	LM2700-0874Z2	lever	1	
18-43	K1300000050	9 grip red 35.5	1	
18-44	K1440000030	B-shaped grease nipple	1	
18-45	LM2700-0873Z2	lever support	1	
18-46	K3300000190	stuck valve SV3-1191	1	
18-47	LM2700-0875Z2	joint plate	2	
18-48				
18-49	K3026412061-Y	elbow nipple KL012-030E	1	
18-50	K0881018000	O-ring P18B	3	
18-51	K3029000072-Y	special bushing PF3/8 PT3/8	1	
18-52	K3003090002-Y	45 elbow 1035-9	1	
18-53	LM2700-0842Z2-Y	#3 cylinder drain pipe	1	
18-54	LM2700-0864ZD	pipe retaining tool B	1	
18-55	K3009000172-Y	special adaptor PF3/8 PTF1/2	1	
18-56	K3100421050	WP35-12 hose 2-1050	1	
18-57	K3191009500	SP-15 coil tube 950	1	
18-58	K0100080002	8 nut	3	
18-59	K3212000430	40-90 cylinder 307	2	
18-60	K0023000011-Y	6 hollow set screw 6-1	2	
18-61	K3102220460	WP105-6 hose 2-460	2	
18-62	K3190003600	SP-12 coil tube 360	2	
18-63	K3026910041-Y	bulkhead union KUE10-020E	4	
18-64	K3102230430	WP105-6 hose 3-430	2	
18-65	K3190003300	SP-12 coil tube 330	2	
18-66	K0214160001	16 metal washer with conical disk spring 2L	4	
18-67	K3027110001-Y	elbow KLC10-000E	5	
18-68	K3027210001-Y	tee KTC10-000E	3	
18-69	LM2700-0837Z2-Y	#2-3 cylinder drain pipe	1	
18-70	K3028610001-Y	union KUA10-000E	2	

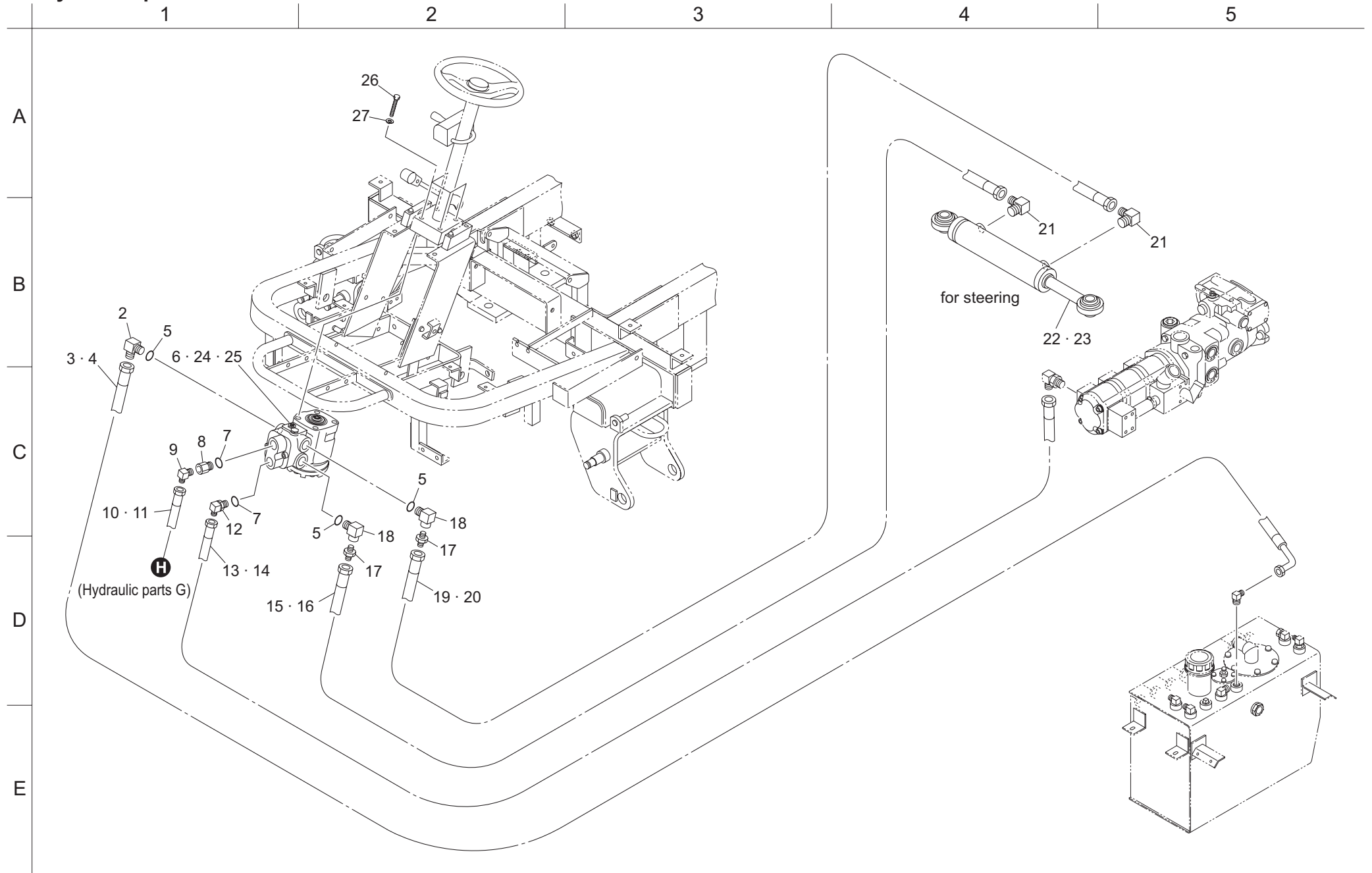
18. Hydraulic parts G



Cat No.	Code No.	Part Name	Qty	Remark
18-71	LM2700-0861Z2-Y	#3 cylinder drain pipe	1	
18-72	K3186000500	Ø10 tetoron braid hose 50	2	
18-73				
18-74				
18-75	LM2700-0863ZD	pipe retaining tool A	1	
18-76	K0100060002	6 nut	2	
18-77	K0200060002	6S washer	5	
18-78	K5000060002	6 washer	2	
18-79	LM2700-0838Z2-Y	#2.3 cylinder pipe	1	
18-80	LM2700-0860Z2-Y	#3 cylinder pipe	1	
18-81	LM2700-0848Z2-Y	#1.4.5 cylinder drain pipe	1	
18-82	Y80209-00301	cylinder seal kit	2	
18-83	K0000080302	8 bolt 30	3	
18-84	K0200080002	8S washer	9	
18-85	K0000080402	8 bolt 40	2	
18-86	K0000080152	8 bolt 15	4	
18-87	K5000080002	8 washer	4	
18-88	K0000080502	8 bolt 50	2	
18-89	K0000080202	8 bolt 20	2	
18-90	K0000060152	6 bolt 15	1	
18-91	K0000060302	6 bolt 30	2	

Cat No.	Code No.	Part Name	Qty	Remark

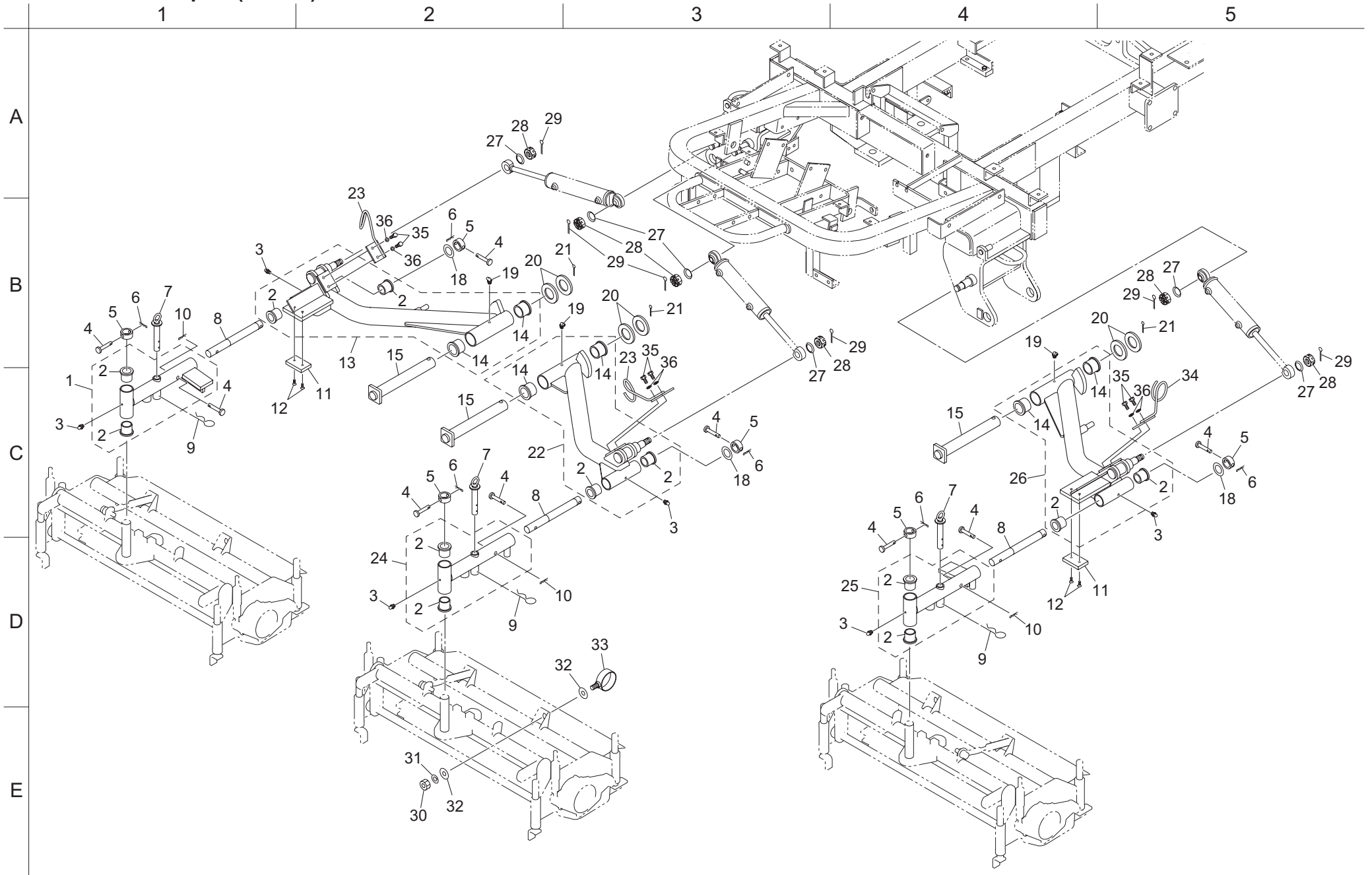
19. Hydraulic parts H



Cat No.	Code No.	Part Name	Qty	Remark
19-1				
19-2	K3008000032-Y	90 adjuster elbow 1086-9	1	
19-3	K3100331720	WP35-9 hose 3-1720	1	
19-4	K3191016200	SP-15 coil tube 1620	1	
19-5	K0881014000	O-ring P14B	3	
19-6	K3294000120	orbit roll LC-D1-E	1	
19-7	K0881018000	O-ring P18B	2	
19-8	K3029000042-Y	special bushing PF1/2 PT3/8	1	
19-9	K3001090002-Y	90 elbow 1033-9	1	
19-10	K3102311500	WP105-9 hose 1-1500	1	
19-11	K3191014000	SP-15 coil tube 1400	1	
19-12	K3008000352-Y	90 different diameter elbow PF3/8 PF1/2	1	
19-13	K3102311100	WP105-9 hose 1-1100	1	
19-14	K3191010000	SP-15 coil tube 1000	1	
19-15	K3101213000	WP70-6 hose 1-3000	1	
19-16	K3190029000	SP-12 coil tube 2900	1	
19-17	K3000060002-Y	adaptor 1013-6	2	
19-18	K3008000082-Y	90 adjuster elbow PF3/8 PT1/4	2	
19-19	K3101213210	WP70-6 hose 1-3210	1	
19-20	K3190031100	SP-12 coil tube 3110	1	
19-21	K3001060002-Y	90 elbow 1033-6	2	
19-22	K3212000420	40-187 cylinder 393	1	
19-23	Y80209-00301	cylinder seal kit	1	
19-24	YBK0039A	orbit roll VP valve seal kit	1	
19-25	YBA0271A	orbit roll seal kit	1	
19-26	K0000100502	10 bolt 50	4	
19-27	K0200100002	10S washer	4	

Cat No.	Code No.	Part Name	Qty	Remark

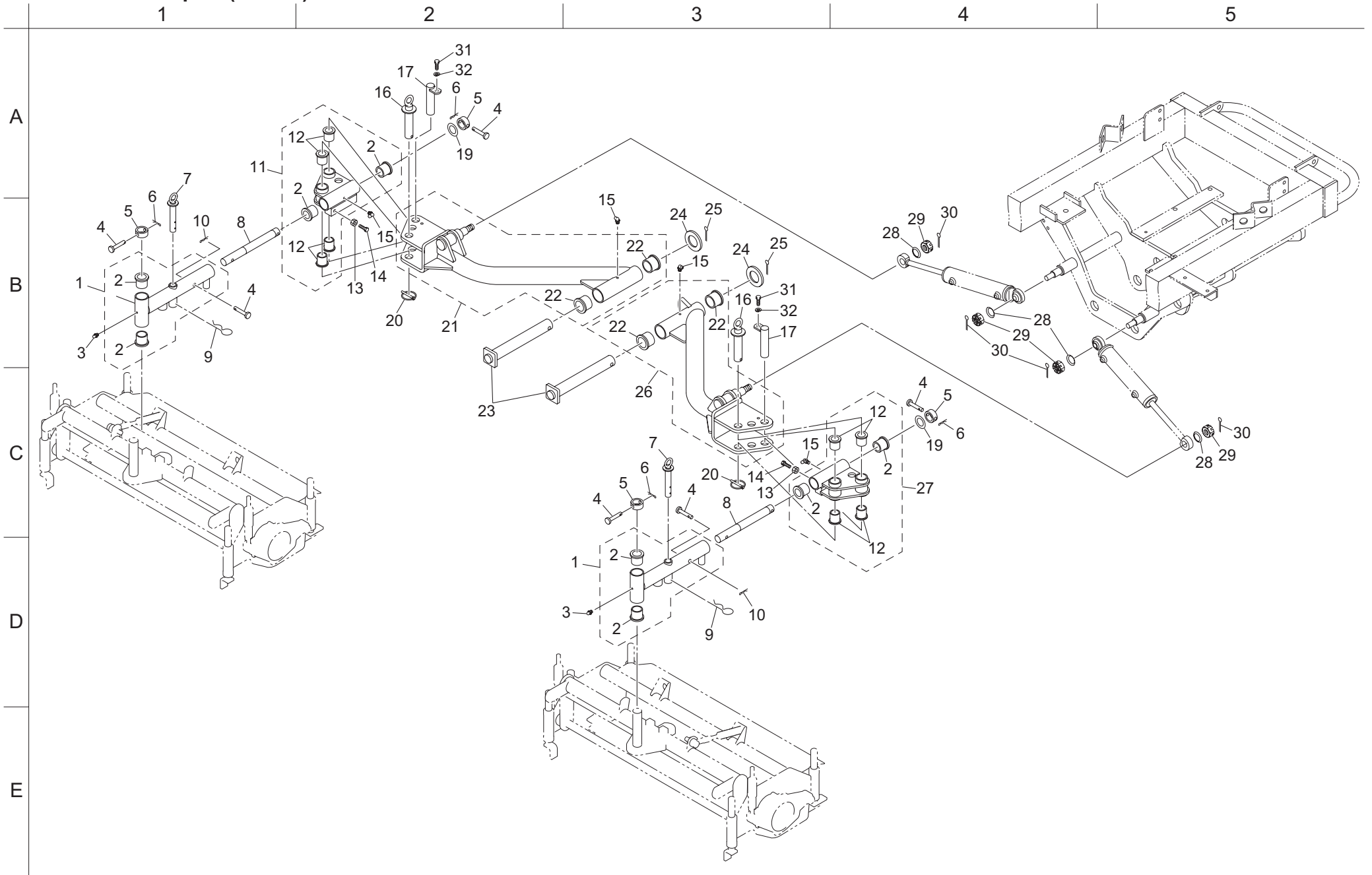
20A. Lift arm front part (26inch)



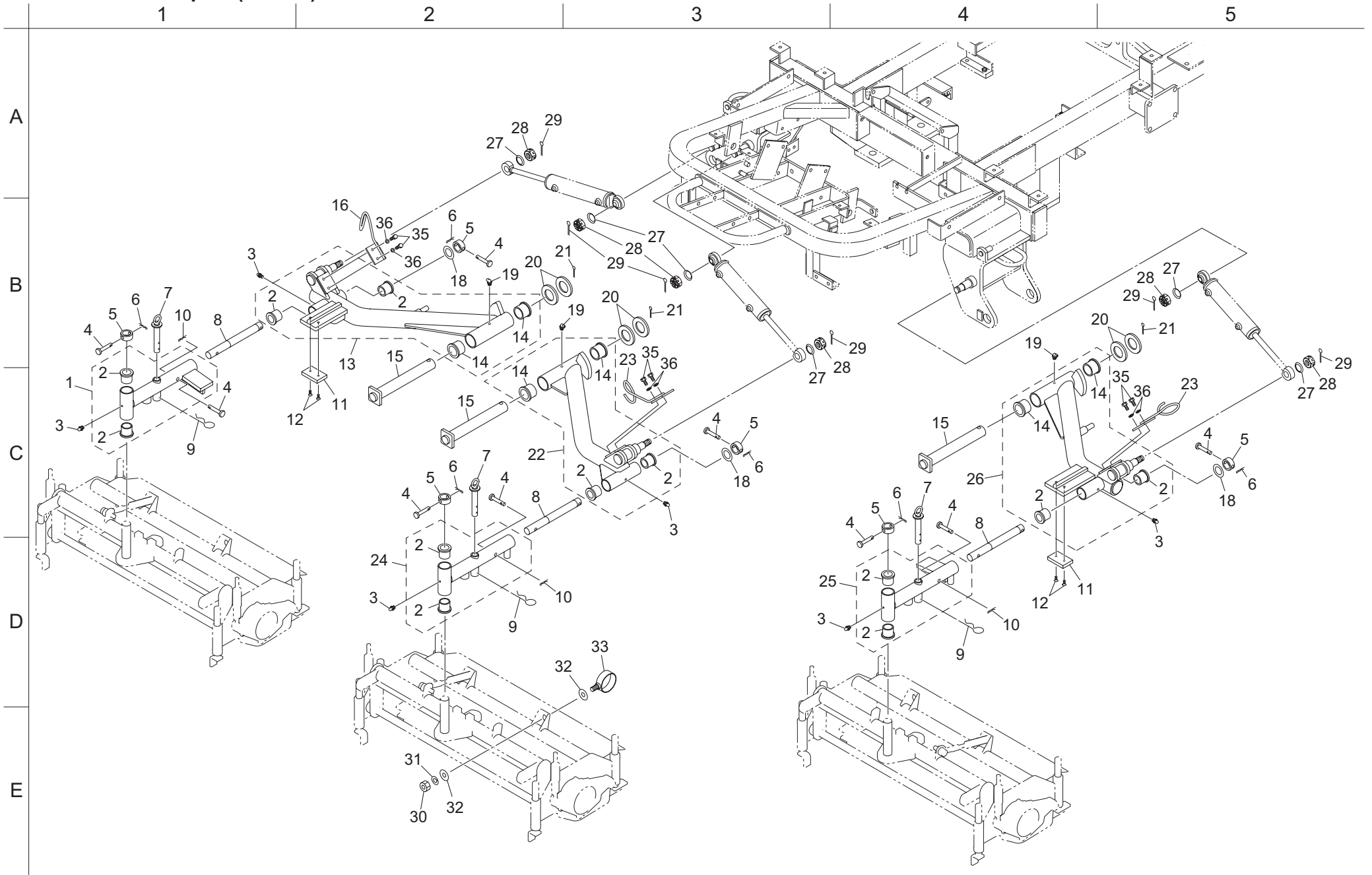
Cat No.	Code No.	Part Name	Qty	Remark
20A-1	LM2700-0218ZR	mower unit #4 joint fitting	1	
20A-2	K6010000150	25 flange bush 3230	12	
20A-3	K1440000010	grease nipple	6	
20A-4	K6031090458	9.6 hardened flat-head pin 45.5	9	
20A-5	K6215000412	25.5 STKM collar 3616	6	
20A-6	K0341000002	10 snap pin with stopper	6	
20A-7	LM2700-0204Z2	lock pin	3	
20A-8	LM2700-0202Z0	shaft	3	
20A-9	K0332200008	22 retaining pin	3	
20A-10	K0300025202	2.5 split pin 20	3	
20A-11	K4033000380	rubber stopper	2	
20A-12	K0041060152	6+ countersunk head screw 15	4	
20A-13	LM2700-0208ZD	#4 lift arm	1	
20A-14	K6010000140	30 flange bush 3830	6	
20A-15	K7147000232	30 pin with hole 196	3	
20A-16				
20A-17				
20A-18	K5011025372	1SPCC metal washer 25.437	3	for adjustment
20A-19	K1440000020	C-shaped grease nipple	3	
20A-20	K5012330452	2.3SPCC metal washer 3045	6	
20A-21	K0300040502	4 split pin 50	3	
20A-22	LM2700-0210ZD	#1 lift arm	1	
20A-23	LM2700-0232Z2	hose guide B	2	
20A-24	LM2700-0201ZR	mower joint fitting	1	
20A-25	LM2700-0217ZR	mower unit #5 joint fitting	1	
20A-26	LM2700-0207ZD	#5 lift arm	1	
20A-27	K0215160001	16 metal washer with conical disk spring 2H	6	
20A-28	K0122160002	16 slotted high nut P1.5	6	
20A-29	K0300040322	4 split pin 32	6	
20A-30	K0100120002	12 nut	1	
20A-31	K0200120002	12S washer	1	
20A-32	K5000120002	12 washer	2	
20A-33	LM2700-0231Z2	hose guide A	1	
20A-34	LM2700-0234Z2	hose guide D	1	
20A-35	K0000080152	8 bolt 15	6	

Cat No.	Code No.	Part Name	Qty	Remark
20A-36	K0200080002	8S washer	6	

21A. Lift arm rear part (26inch)



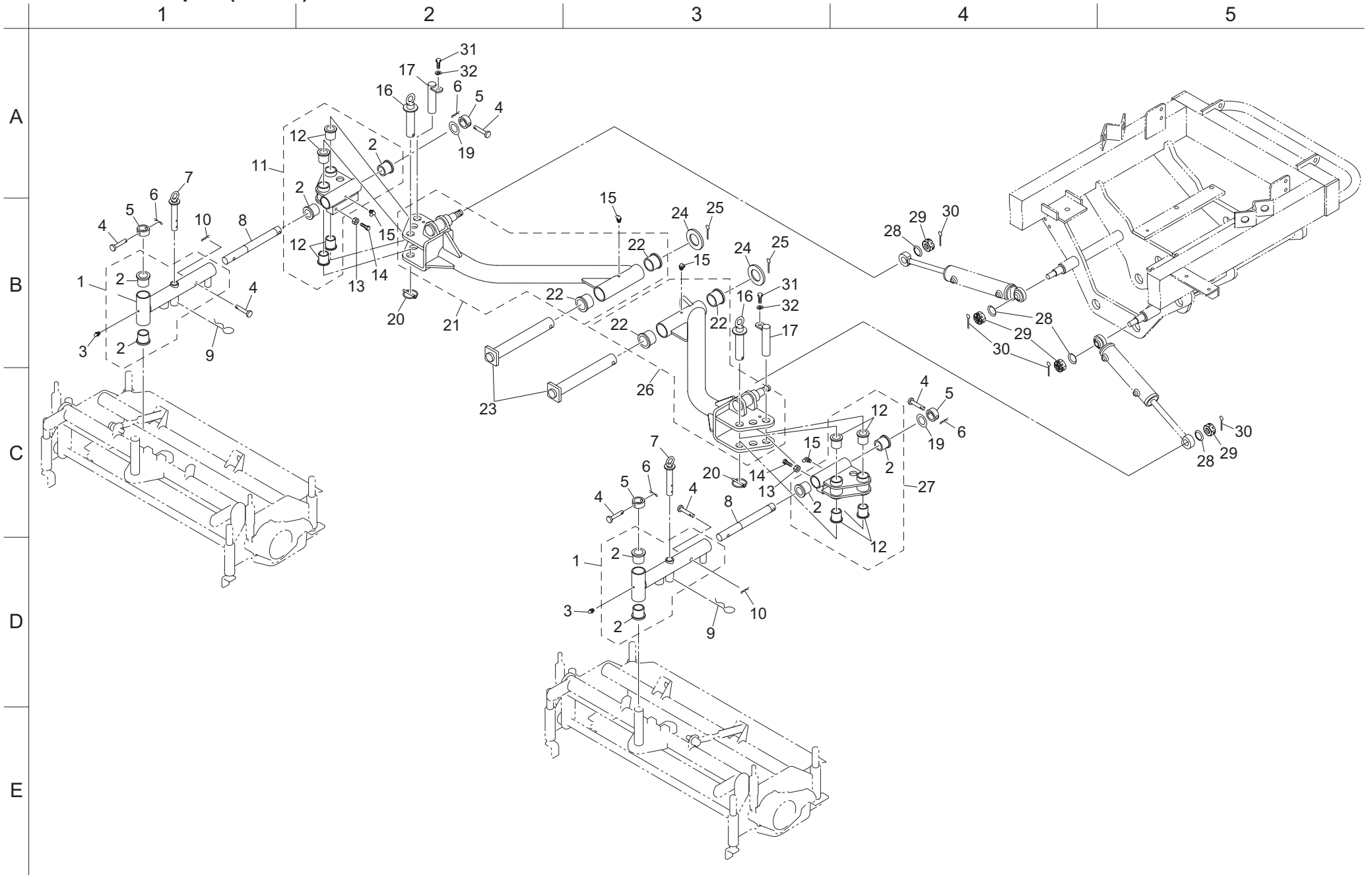
20B. Lift arm front part (22inch)



Cat No.	Code No.	Part Name	Qty	Remark
20B-1	LM2700-0218ZR	mower unit #4 joint fitting	1	
20B-2	K6010000150	25 flange bush 3230	12	
20B-3	K1440000010	grease nipple	6	
20B-4	K6031090458	9.6 hardened flat-head pin 45.5	9	
20B-5	K6215000412	25.5 STKM collar 3616	6	
20B-6	K0341000002	10 snap pin with stopper	6	
20B-7	LM2700-0204Z2	lock pin	3	
20B-8	LM2700-0202Z0	shaft	3	
20B-9	K0332200008	22 retaining pin	3	
20B-10	K0300025202	2.5 split pin 20	3	
20B-11	K4033000380	rubber stopper	2	
20B-12	K0041060152	6+ countersunk head screw 15	4	
20B-13	LM2700-2304ZD	#4 lift arm	1	
20B-14	K6010000140	30 flange bush 3830	6	
20B-15	K7147000232	30 pin with hole 196	3	
20B-16	LM2700-0233Z2	hose guide C	1	
20B-17				
20B-18	K5011025372	1SPCC metal washer 25.437	3	for adjustment
20B-19	K1440000020	C-shaped grease nipple	3	
20B-20	K5012330452	2.3SPCC metal washer 3045	6	
20B-21	K0300040502	4 split pin 50	3	
20B-22	LM2700-0210ZD	#1 lift arm	1	
20B-23	LM2700-0232Z2	hose guide B	2	
20B-24	LM2700-0201ZR	mower joint fitting	1	
20B-25	LM2700-0217ZR	mower unit #5 joint fitting	1	
20B-26	LM2700-2305ZD	#5 lift arm	1	
20B-27	K0215160001	16 metal washer with conical disk spring 2H	6	
20B-28	K0122160002	16 slotted high nut P1.5	6	
20B-29	K0300040322	4 split pin 32	6	
20B-30	K0100120002	12 nut	1	
20B-31	K0200120002	12S washer	1	
20B-32	K5000120002	12 washer	2	
20B-33	LM2700-0231Z2	hose guide A	1	
20B-34				
20B-35	K0000080152	8 bolt 15	6	

Cat No.	Code No.	Part Name	Qty	Remark
20B-36	K0200080002	8S washer	6	

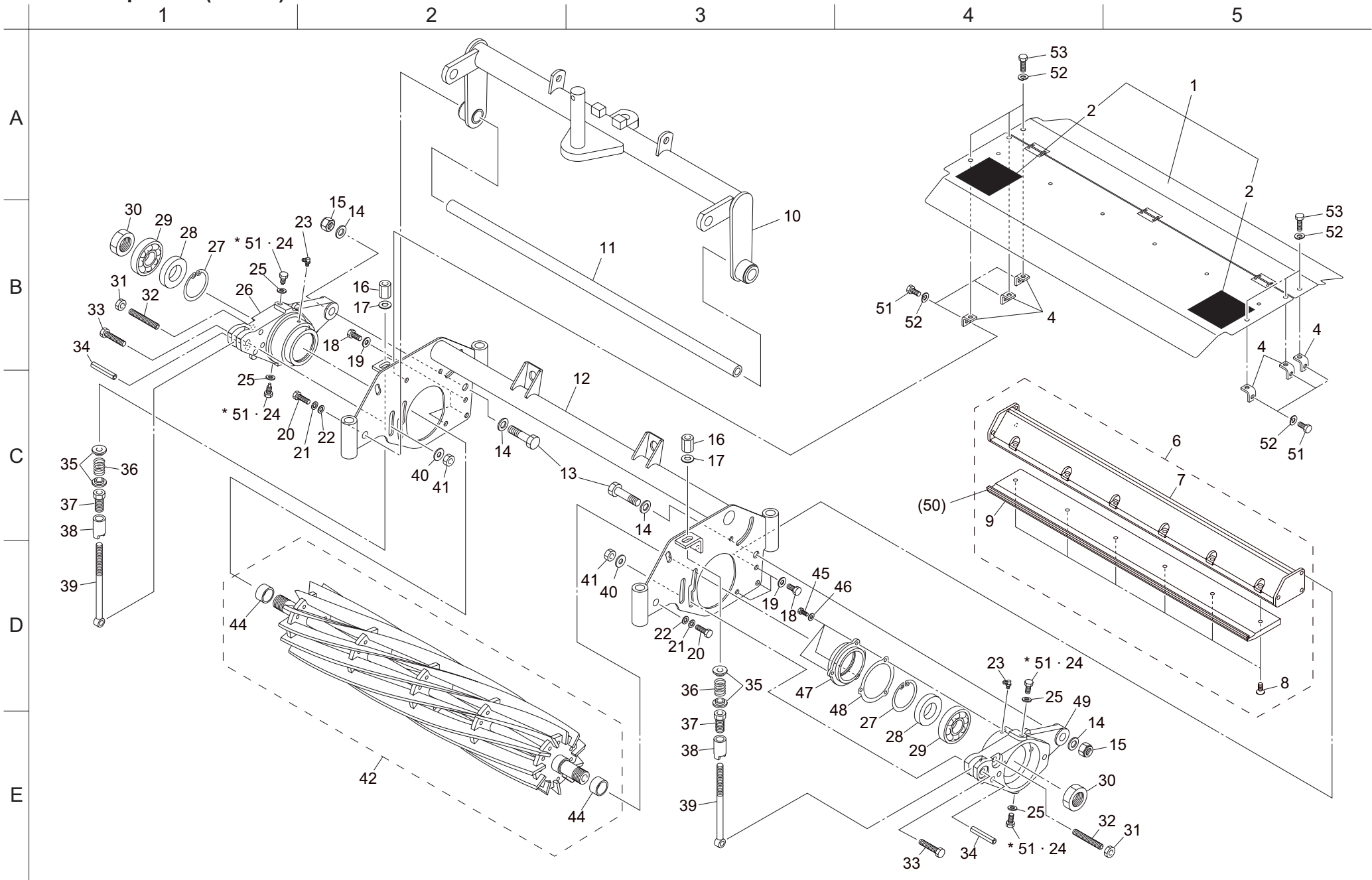
21B. Lift arm rear part (22inch)



Cat No.	Code No.	Part Name	Qty	Remark
21B-1	LM2700-0201ZR	mower joint fitting	2	
21B-2	K6010000150	25 flange bush 3230	8	
21B-3	K1440000010	grease nipple	2	
21B-4	K6031090458	9.6 hardened flat-head pin 45.5	6	
21B-5	LM526A-0209Z2	collar	4	
21B-6	K0341000002	10 snap pin with stopper	4	
21B-7	LM2700-0204A2	lock pin	2	
21B-8	LM2700-0202Z0	shaft	2	
21B-9	K0332200008	22 retaining pin	2	
21B-10	K0300025202	2.5 split pin 20	2	
21B-11	LM2700-0214ZD	#2 rotation fitting	1	
21B-12	K6010000130	22 flange bush 2830	8	
21B-13	K0103100002	10 nut P1.25	2	
21B-14	K0011100302	10 heat-treated bolt 30P1.25	2	
21B-15	K1440000020	C-shaped grease nipple	4	
21B-16	LM2700-0216C2	gri p pin	2	
21B-17	LM2700-0211B2	rear rotation shaft	2	
21B-18				
21B-19	K5011025372	1SPCC metal washer 25.437	2	for adjustment
21B-20	K6061060002	6 clip pin	2	
21B-21	LM2700-2302ZD	#2 lift arm	1	
21B-22	K6010000140	30 flange bush 3830	4	
21B-23	K7147000232	30 pin with hole 196	2	
21B-24	K5011030422	1SPCC metal washer 3042	2	
21B-25	K0300040502	4 split pin 50	2	
21B-26	LM2700-2303ZD	#3 lift arm	1	
21B-27	LM2700-0215ZD	#3 rotation fitting	1	
21B-28	K0215160001	16 metal washer with conical disk spring 2H	4	
21B-29	K0122160002	16 slotted high nut P1.5	4	
21B-30	K0300040322	4 split pin 32	4	
21B-31	K0000080152	8 bolt 15	2	
21B-32	K0200080002	8S washer	2	

Cat No.	Code No.	Part Name	Qty	Remark

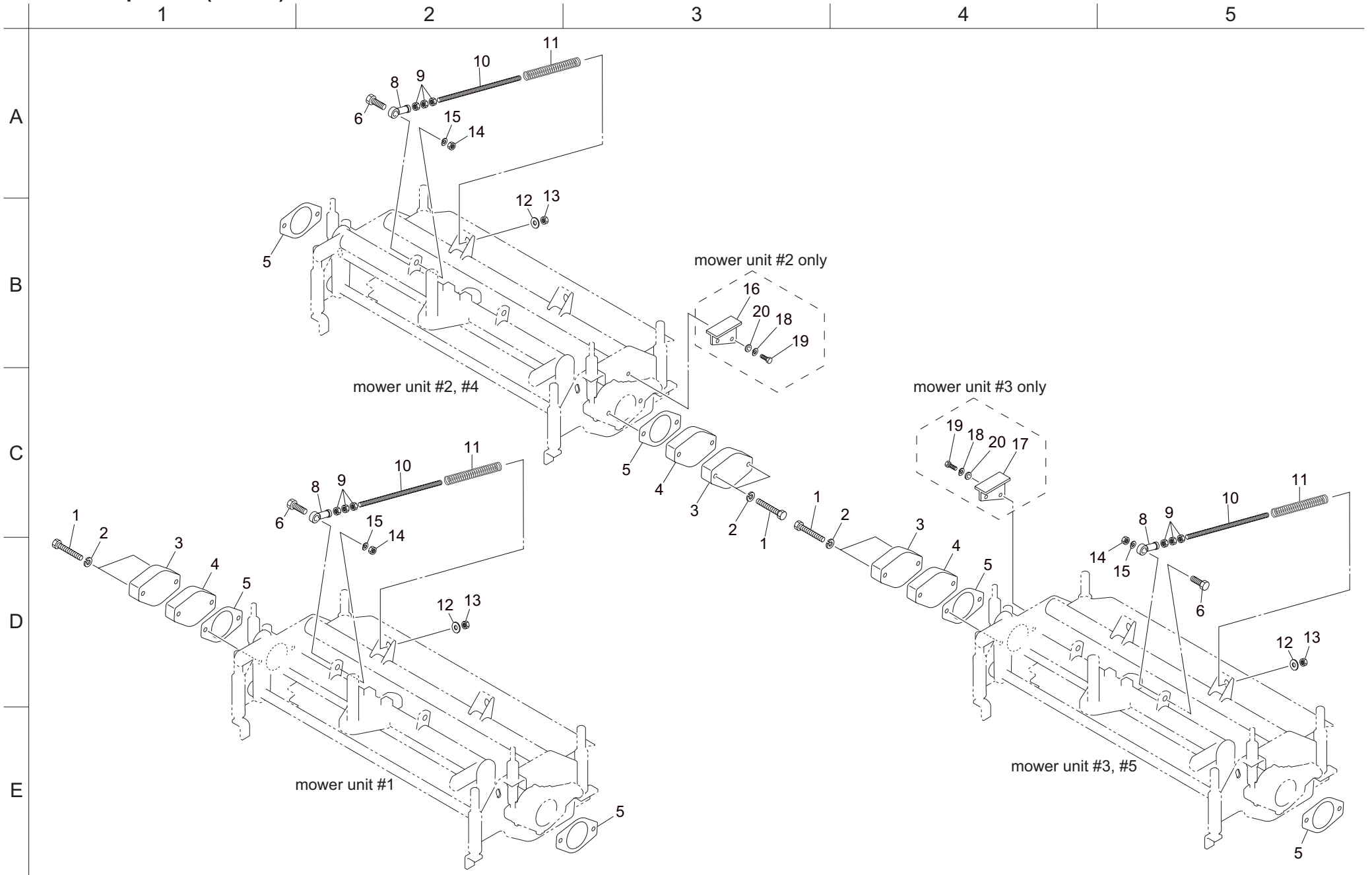
22A. Mower parts A (26inch)



Cat No.	Code No.	Part Name	Qty	Remark
22A-1	LM2700-0194Z0	reel cover COMP	5	
22A-2	K4205001600	cutting hazard label	10	
22A-3				
22A-4	LM2700-0139ZR	cover mount plate	30	
* 22A-5				
22A-6	LM2700-0117Z0	bed knife mount base 732 Ass'y	5	
22A-7	LM2700-0116AR	bed knife mount base 732	5	
22A-8	K0071000092	10 heat-treated countersunk head screw 20	30	
22A-9	K2510000030	7 bed knife 85-662	5	
22A-10	LM2700-0144AR	mower arm	5	
22A-11	LM2700-0140Z8	front stay	5	
22A-12	LM2700-0141AR	mower frame	5	
22A-13	LM2700-0118Z2	support shaft bolt	10	
22A-14	K5012314252	2.3SPCC metal washer 1425	20	
22A-15	K0145140002	14U nut P1.5	10	
22A-16	LM56G--0506Z2	receiving blade adjusting screw	10	
22A-17	K5051010160	1C5191P metal washer 1016	10	
22A-18	K0008100202	10 small bolt 20	30	
22A-19	K0214100002	10 metal washer with conical disk spring 2L	30	
22A-20	K0001140252	14 bolt 25P1.5	10	
22A-21	K0200140002	14S washer	10	
22A-22	K5000140002	14 washer	10	
22A-23	K1440000020	C-shaped grease nipple	10	
* 22A-24	LM2700-0146Z2	stop bolt	10	Groomer side
22A-25	K0922080000	seal washer 8WF	20	
22A-26	LM2700-0149Z0	reel housing (R)	5	
22A-27	K0402052001	stop ring R52	10	
22A-28	K0823552110	oil seal MHSA355211	10	
22A-29	K0610062060	bearing 6206RD	10	
22A-30	LM2700-0142Z2	30 small special nut P2	10	
22A-31	K0102100002	10 nut 3	10	
22A-32	K0028100601	10 stainless hollow set screw 60	10	
22A-33	K0003100502	10 bolt 50	10	
22A-34	K0320100501	10 spring pin 50	10	
22A-35	K6206000052	spring receiver	20	

Cat No.	Code No.	Part Name	Qty	Remark
22A-36	K1000000618	5 compression spring 2535	10	
22A-37	LM535E-1335Z2	pipe with cutter adjusting screw	10	
22A-38	LM535E-1334Z2	adjusting pipe	10	
22A-39	K6511000042	cutter adjusting bolt 170	10	
22A-40	K5073210242	3.2SPHC metal washer 1024	10	
22A-41	K0144100002	10U nut	10	
22A-42	LM2700-0192Z0	reel cutter Ass'y	5	
22A-43				
22A-44	K0737000080	multi-purpose inner ring LRTZ303518	10	
22A-45	K0000060152	6 bolt 15	15	
22A-46	K0212060002	6 metal washer with conical disk spring 1L	15	
22A-47	LM2700-0150Z0	housing cover	5	
22A-48	LM2700-0130Z0	reel packing	5	
22A-49	LM2700-0148Z0	reel housing (L)	5	
22A-50	K2510000250	5 bed knife 87-662	5	Option
22A-51	K0000080102	8 bolt 10	40	
22A-52	K0200080002	8S washer	60	
22A-53	K0000080152	8 bolt 15	30	

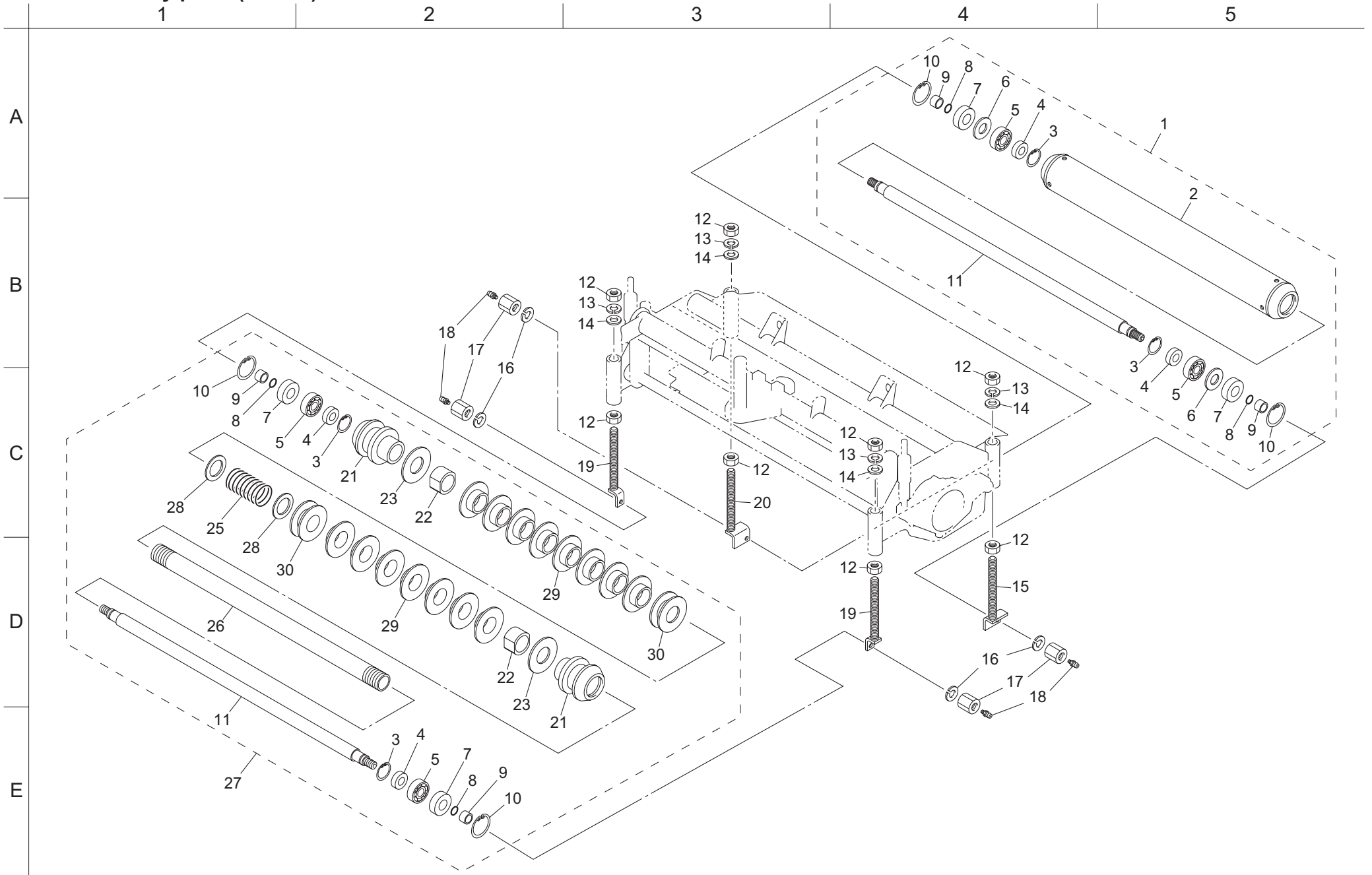
23A. Mower parts B (26inch)



Cat No.	Code No.	Part Name	Qty	Remark
23A-1	K0000100702	10 bolt 70	10	
23A-2	K0200100002	10S washer	10	
23A-3	K690300017D	reel housing cover	5	
23A-4	LM2700-1201ZD	mower weight	5	
23A-5	K4011000290	packing	10	
23A-6	K0000120352	12 bolt 35	5	
23A-7				
23A-8	K1607120000	rod end PHS12EC	5	
23A-9	K0102120002	12 nut 3	15	
23A-10	LM2700-0219Z2	M12 screw shaft 240	5	
23A-11	K1000000118	3 compression spring 21150	5	
23A-12	K5073212352	3.2SPHC metal washer 1235	5	
23A-13	K0144120002	12U nut	5	
23A-14	K0100120002	12 nut	5	
23A-15	K0200120002	12S washer	5	
23A-16	LM2700-0166ZD	#2 mower stopper	1	
23A-17	LM2700-0167ZD	#3 mower stopper	1	
23A-18	K0200080002	8S washer	4	
23A-19	K0000080202	8 bolt 20	4	
23A-20	K5000080002	8 washer	4	

Cat No.	Code No.	Part Name	Qty	Remark

24A. Roller Ass'y parts (26inch)



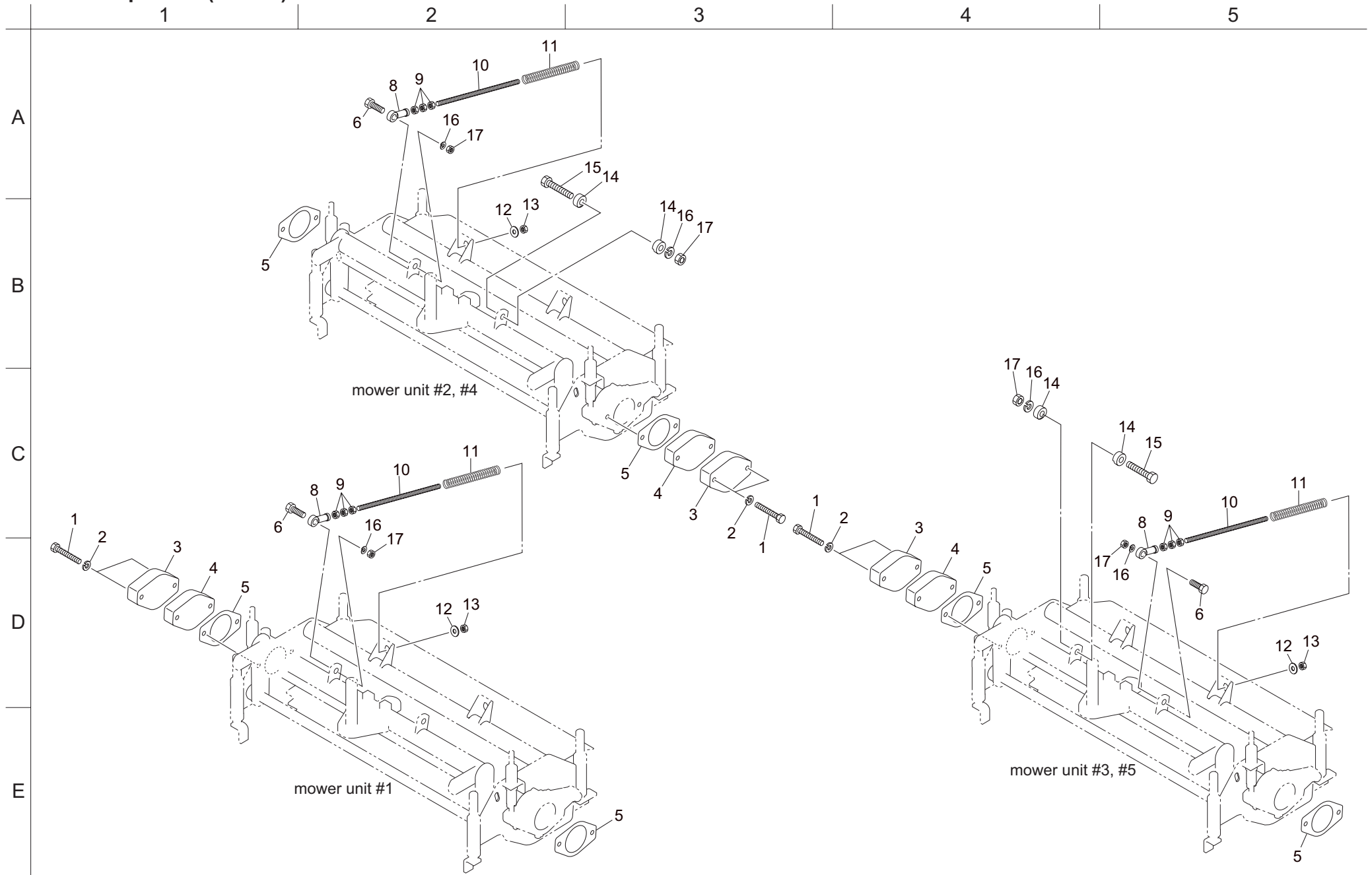
Cat No.	Code No.	Part Name	Qty	Remark
24A-1	LM2700-0193Z0	roller Ass'y	5	
24A-2	LM2700-0154ZD	76.2 roller 696	5	
24A-3	K0402035001	stop ring R35	20	
24A-4	K0822235080	oil seal MHSA22358	20	
24A-5	K0600063030	bearing 6303	20	
24A-6	K5090000802	3.2SPHC metal washer 4047	10	
24A-7	K0822547080	oil seal MHSA25478	20	
24A-8	K0885015000	O-ring S15	20	
24A-9	K6219000540	17SUS collar 2516	20	
24A-10	K0402047001	stop ring R47	20	
24A-11	LM2700-0152Z0	22 roller shaft 749	10	
24A-12	K0108180002	18 nut 3P1.5	40	
24A-13	K0200180002	18S washer	20	
24A-14	K5012018282	2SPCC metal washer 1828	20	
24A-15	LM2700-0162Z2	cutting height adjusting screw (L)	5	
24A-16	K0200140002	14S washer	20	
24A-17	K0149142302	14-22 high nut 30	20	
24A-18	K1440000010	grease nipple	20	
24A-19	LM2700-0137Z2	cutting height adjusting screw	10	
24A-20	LM2700-0161Z2	cutting height adjusting screw (R)	5	
24A-21	LM2700-0153ZD	roller housing 75.5	10	
24A-22	LM2700-0122Z2	lock collar	10	
24A-23	LM2700-0155Z0	4A2017P metal washer 40.580	10	
24A-24				
24A-25	K100000073D	5 compression spring 5175	5	
24A-26	LM2700-0151Z2	34.2 roller pipe 40607.2	5	
24A-27	LM2700-0190Z0	slotted roller Ass'y	5	
24A-28	K5011040522	1SPCC metal washer 4052	10	
24A-29	LM2700-0164Z0	roller A	75	
24A-30	LM2700-0165Z0	roller B	10	

Cat No.	Code No.	Part Name	Qty	Remark

Cat No.	Code No.	Part Name	Qty	Remark
22B-1	LM2700-2113Z0	22 reel cover COMP	5	
22B-2	K4205001600	cutting hazard label	10	
22B-3				
22B-4	LM2700-0139ZR	cover mount plate	30	
* 22B-5				
22B-6	LM2700-2101Z0	bed knife mount base 629.5 Ass'y	5	
22B-7	LM2700-2102AR	bed knife mount base 629.5	5	
22B-8	K0071000092	10 heat-treated countersunk head screw 20	30	
22B-9	K2510000280	5 bed knife 87-559	5	
22B-10	LM2700-2103ZR	22 mower arm	5	
22B-11	LM2700-2106Z8	22 front stay	5	
22B-12	LM2700-2104ZR	22 mower frame	5	
22B-13	LM2700-0118Z2	support shaft bolt	10	
22B-14	K5012314252	2.3SPCC metal washer 1425	20	
22B-15	K0145140002	14U nut P1.5	10	
22B-16	LM56G--0506Z2	receiving blade adjusting screw	10	
22B-17	K5051010160	1C5191P metal washer 1016	10	
22B-18	K0008100202	10 small bolt 20	30	
22B-19	K0214100002	10 metal washer with conical disk spring 2L	30	
22B-20	K0002140252	14 bolt 25P1.5	10	
22B-21	K0200140002	14S washer	10	
22B-22	K5000140002	14 washer	10	
22B-23	K1440000020	C-shaped grease nipple	10	
* 22B-24	LM2700-0146Z2	stop bolt	10	Groomer side
22B-25	K0922080000	seal washer 8WF	20	
22B-26	LM2700-0149Z0	reel housing (R)	5	
22B-27	K0402052001	stop ring R52	10	
22B-28	K0823552110	oil seal MHSA355211	10	
22B-29	K0610062060	bearing 6206RD	10	
22B-30	LM2700-0142Z2	30 small special nut P2	10	
22B-31	K0102100002	10 nut 3	10	
22B-32	K0028100601	10 stainless hollow set screw 60	10	
22B-33	K0003100502	10 bolt 50	10	
22B-34	K0320100501	10 spring pin 50	10	
22B-35	K6206000052	spring receiver	20	

Cat No.	Code No.	Part Name	Qty	Remark
22B-36	K1000000618	5 compression spring 2535	10	
22B-37	LM535E-1335Z2	pipe with cutter adjusting screw	10	
22B-38	LM535E-1334Z2	adjusting pipe	10	
22B-39	K6511000042	cutter adjusting bolt 170	10	
22B-40	K5073210242	3.2SPHC metal washer 1024	10	
22B-41	K0144100002	10U nut	10	
22B-42	LM2700-2114Z0	reel cutter 22-9 Ass'y	5	
22B-43				
22B-44	K0737000080	multi-purpose inner ring LRTZ303518	10	
22B-45	K0000060152	6 bolt 15	15	
22B-46	K0212060002	6 metal washer with conical disk spring 1L	15	
22B-47	LM2700-0150Z0	housing cover	5	
22B-48	LM2700-0130Z0	reel packing	5	
22B-49	LM2700-0148Z0	reel housing (L)	5	
22B-50				
22B-51	K0000080162	8 bolt 10	40	
22B-52	K0200080002	8S washer	60	
22B-53	K0000080152	8 bolt 15	30	

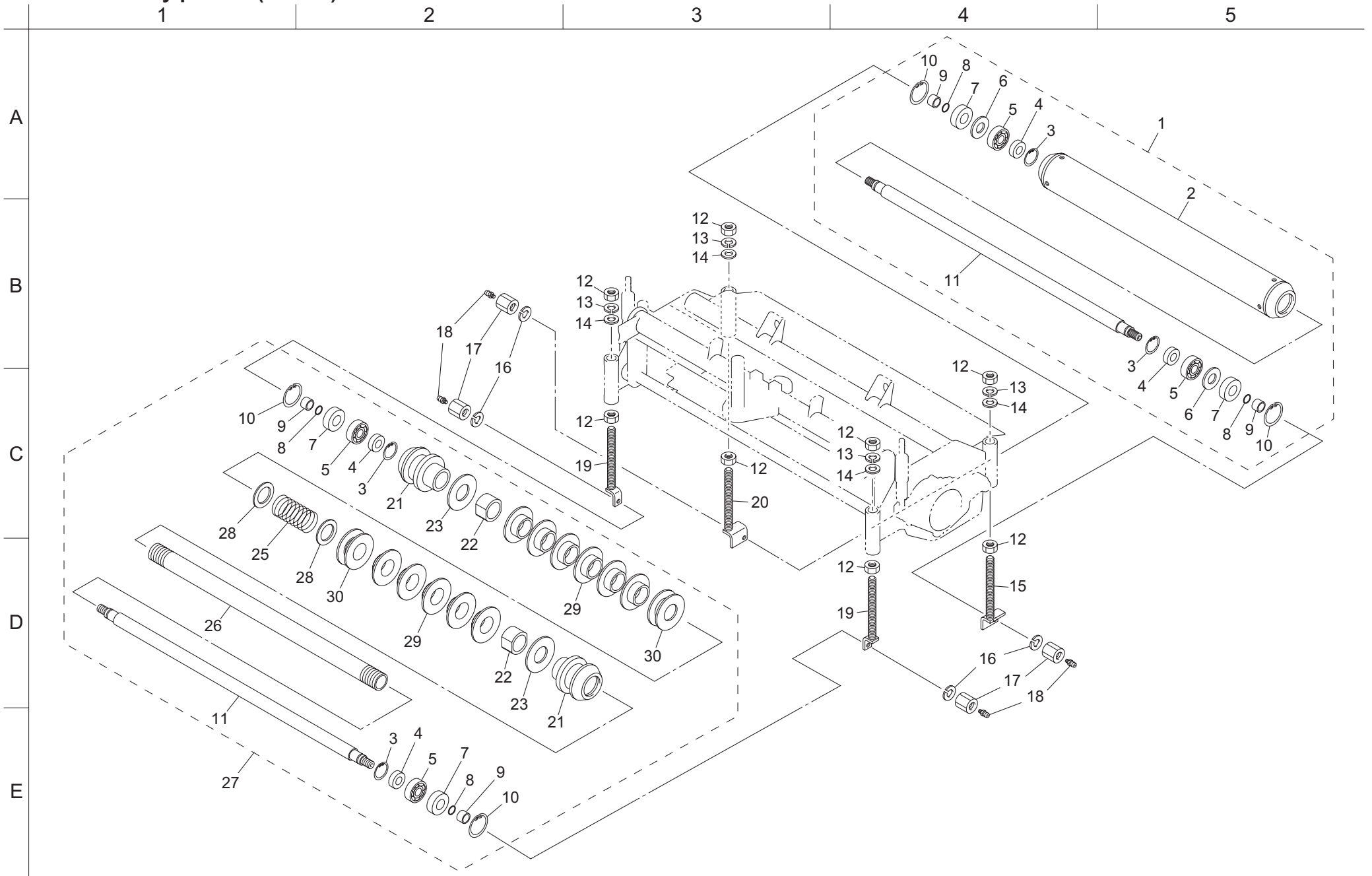
23B. Mower parts B (22inch)



Cat No.	Code No.	Part Name	Qty	Remark
23B-1	K0000100702	10 bolt 70	10	
23B-2	K0200100002	10S washer	10	
23B-3	K690300017D	reel housing cover	5	
23B-4	LM2700-1201ZD	mower weight	5	
23B-5	K4011000290	packing	10	
23B-6	K0000120352	12 bolt 35	5	
23B-7				
23B-8	K1607120000	rod end PHS12EC	5	
23B-9	K0102120002	12 nut 3	15	
23B-10	LM2700-0219Z2	M12 screw shaft 240	5	
23B-11	K1000000118	3 compression spring 21150	5	
23B-12	K5073212352	3.2SPHC metal washer 1235	5	
23B-13	K0144120002	12U nut	5	
23B-14	LM2700-2125ZR	stopper	4	
23B-15	K0013120702	12 heat-treated bolt 70	2	
23B-16	K0200120002	12 S washer	7	
23B-17	K0100120002	12 nut	7	

Cat No.	Code No.	Part Name	Qty	Remark

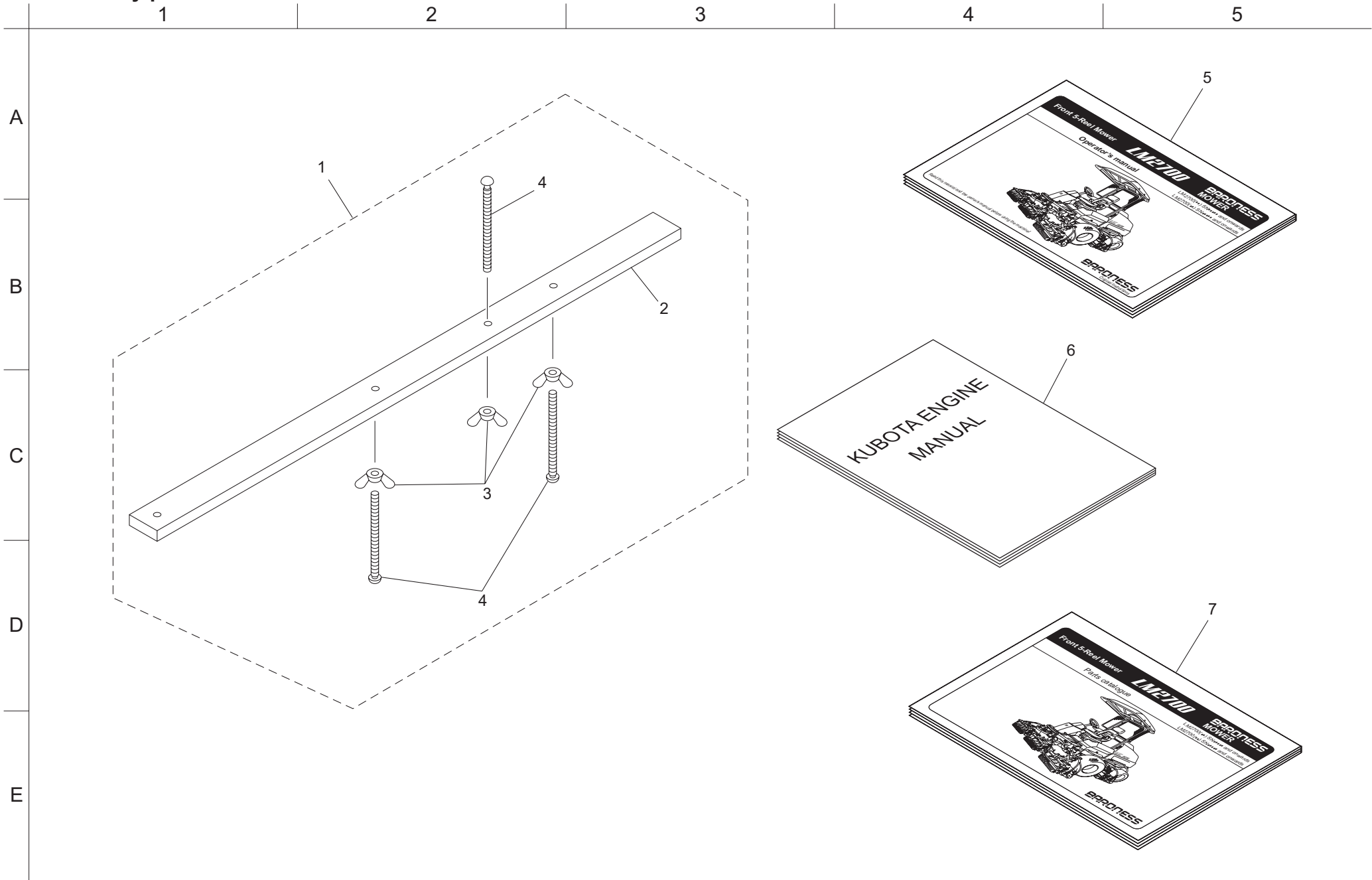
24B. Roller Ass'y parts A (22inch)



Cat No.	Code No.	Part Name	Qty	Remark
24B-1	LM2700-2117Z0	22 roller Ass'y	5	
24B-2	LM2700-2108ZD	76.2 roller 593.5	5	
24B-3	K0402035001	stop ring R35	20	
24B-4	K0822235080	oil seal MHSA22358	20	
24B-5	K0600063030	bearing 6303	20	
24B-6	K5090000802	3.2SPHC metal washer 4047	10	
24B-7	K0822547080	oil seal MHSA25478	20	
24B-8	K0885015000	O-ring S15	20	
24B-9	K6219000580	17SUS coller 2516	20	
24B-10	K0402047001	stop ring R47	20	
24B-11	LM2700-2107Z0	22 roller shaft 646.5	10	
24B-12	K0108180002	18 nut 3P1.5	40	
24B-13	K0200180002	18S washer	20	
24B-14	K5012018282	2SPCC metal washer 1828	20	
24B-15	LM2700-0162Z2	cutting height adjusting screw (L)	5	
24B-16	K0200140002	14S washer	20	
24B-17	K0149142302	14-22 high nut 30	20	
24B-18	K1440000010	grease nipple	20	
24B-19	LM2700-0137Z2	cutting height adjusting screw	10	
24B-20	LM2700-0161Z2	cutting height adjusting screw (R)	5	
24B-21	LM2700-0153ZD	roller housing 75.5	10	
24B-22	LM2700-0122Z2	lock collar	10	
24B-23	LM2700-0155Z0	4A2017P metal washer 40.580	85	
24B-24				
24B-25	K100000073D	5 compression spring 5175	5	
24B-26	LM2700-2109Z2	34.2 roller pipe 40504.7	5	
24B-27	LM2700-2119Z0	22 slotted roller Ass'y	5	
24B-28	K5011040522	1SPCC metal washer 4052	10	
24B-29	LM2700-0164Z0	roller A	55	
24B-30	LM2700-0165Z0	roller B	10	

Cat No.	Code No.	Part Name	Qty	Remark

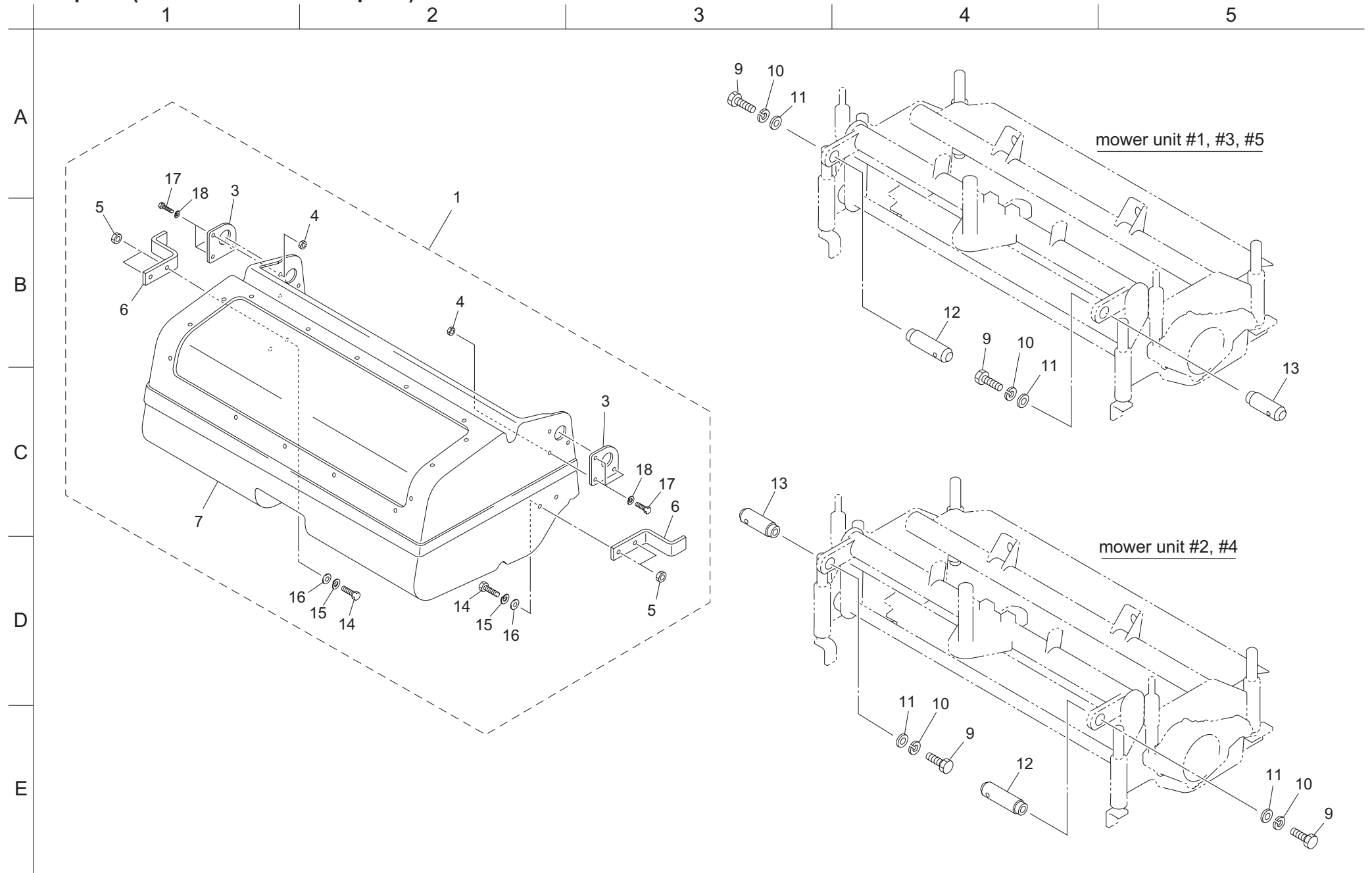
25. Accessory parts



Cat No.	Code No.	Part Name	Qty	Remark
25-1	LM2700-1502Z0	cutting height gauge bar 600 Ass'y	1	
25-2	LM2700-1501Z2	cutting height gauge bar 600A	1	
25-3	K0141060002	6 wing nut 3	3	
25-4	K0071000522	6 cutting height adjusting screw 75	3	
25-5	750101-71-A	LM2700 operator's manual (UK)	1	
25-6	1J464-8916-1	Kubota engine manual	1	
25-7	750101-71-B	LM2700 parts catalog (UK)	1	

Cat No.	Code No.	Part Name	Qty	Remark

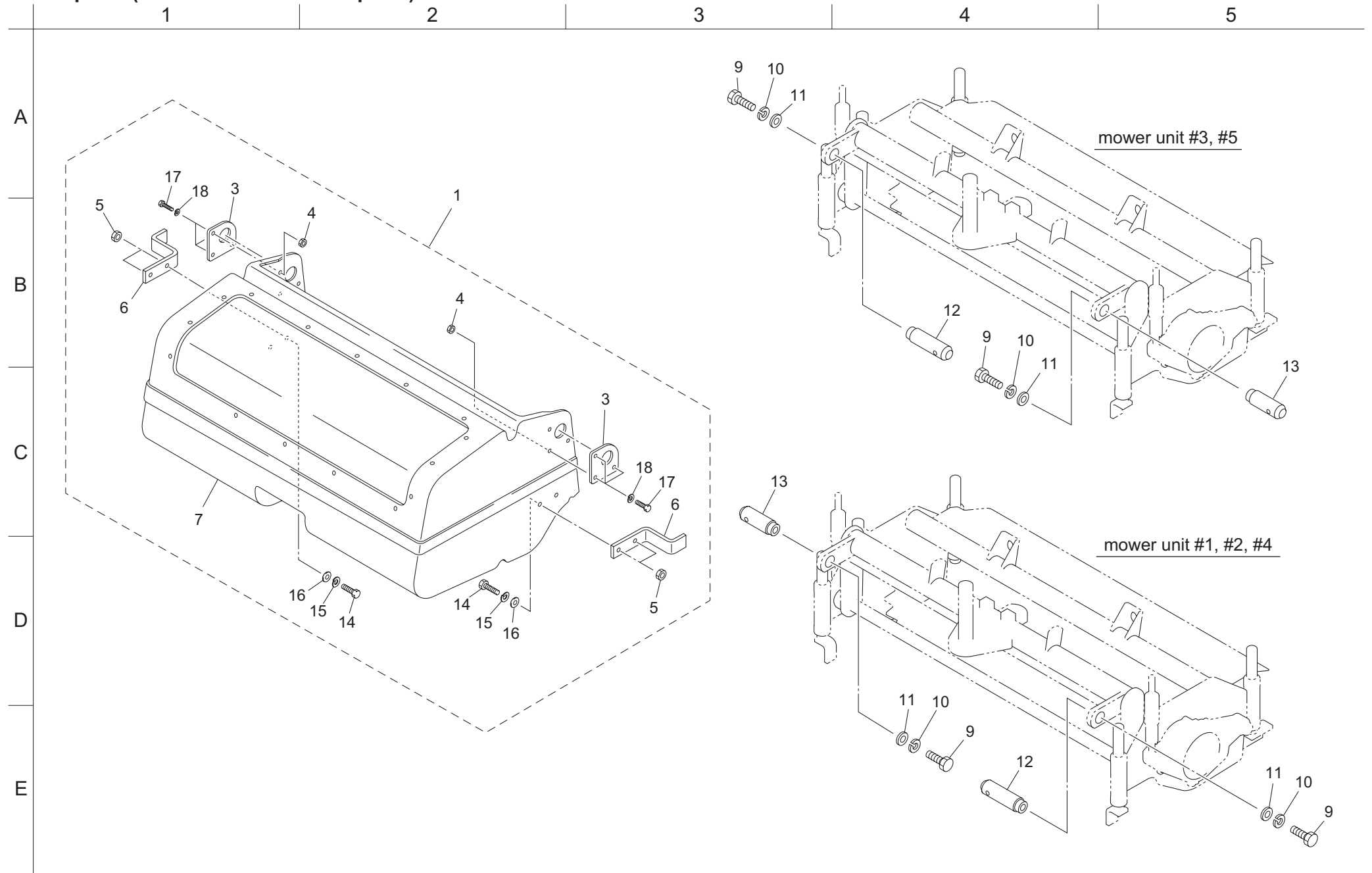
26A. Option (26inch Grass catcher parts)



Cat No.	Code No.	Part Name	Qty	Remark
26A-1	LM2700-1101Z0	26 grass catcher Ass'y	5	
26A-2				
26A-3	LM2700-1110ZD	reinforcement plate	10	
26A-4	K0100060002	6 nut	30	
26A-5	K0100080002	8 nut	20	
26A-6	LM2700-1116ZD	stopper	10	
26A-7	LM2700-1102Z0	26 grass catcher COMP	5	
26A-8				
26A-9	K0000140252	14 bolt 25	10	
26A-10	K0200140002	14S washer	10	
26A-11	K5000140002	14 washer	10	
26A-12	LM2700-1104Z2	catcher pin 95	5	
26A-13	LM2700-1105Z2	catcher pin 75	5	
26A-14	K0000080202	8 bolt 20	20	
26A-15	K0200080002	8S washer	20	
26A-16	K5000080002	8 washer	20	
26A-17	K0000060202	6 bolt 20	30	
26A-18	K0200060002	6S washer	30	

Cat No.	Code No.	Part Name	Qty	Remark

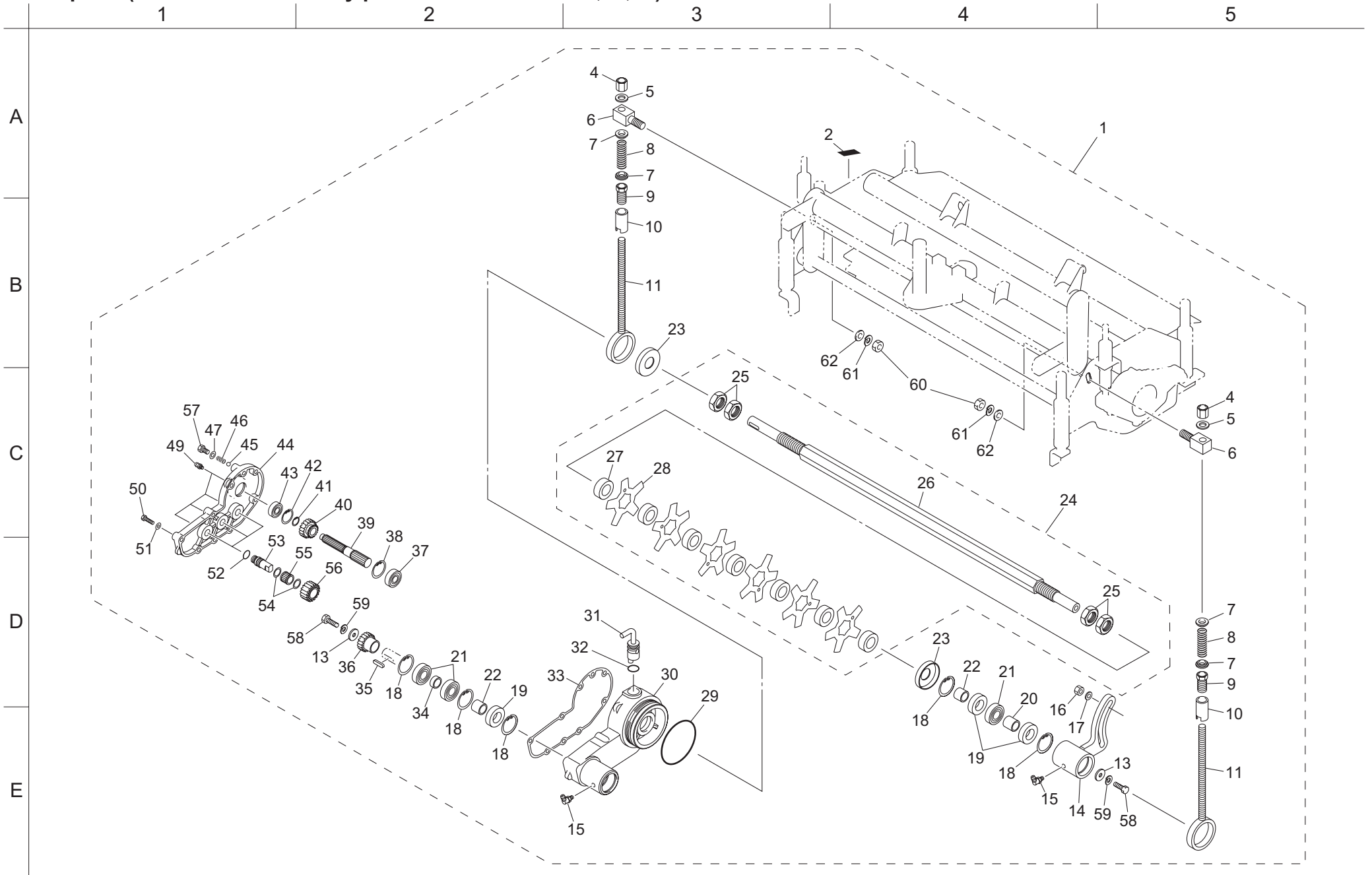
26B. Option (22inch Grass catcher parts)



Cat No.	Code No.	Part Name	Qty	Remark
26B-1	LM2700-2701Z0	22 grass catcher Ass'y	5	
26B-2				
26B-3	LM2700-1110ZD	reinforcement plate	10	
26B-4	K0100060002	6 nut	30	
26B-5	K0100080002	8 nut	20	
26B-6	LM2700-1116ZD	stopper	10	
26B-7	LM2700-2702Z0	22 grass catcher COMP	5	
26B-8				
26B-9	K0000140252	14 bolt 25	10	
26B-10	K0200140002	14S washer	10	
26B-11	K5000140002	14 washer	10	
26B-12	LM2700-1104Z2	catcher pin 95	5	
26B-13	LM2700-1105Z2	catcher pin 75	5	
26B-14	K0000080202	8 bolt 20	20	
26B-15	K0200080002	8S washer	20	
26B-16	K5000080002	8 washer	20	
26B-17	K0000060202	6 bolt 20	30	
26B-18	K0200060002	6S washer	30	

Cat No.	Code No.	Part Name	Qty	Remark

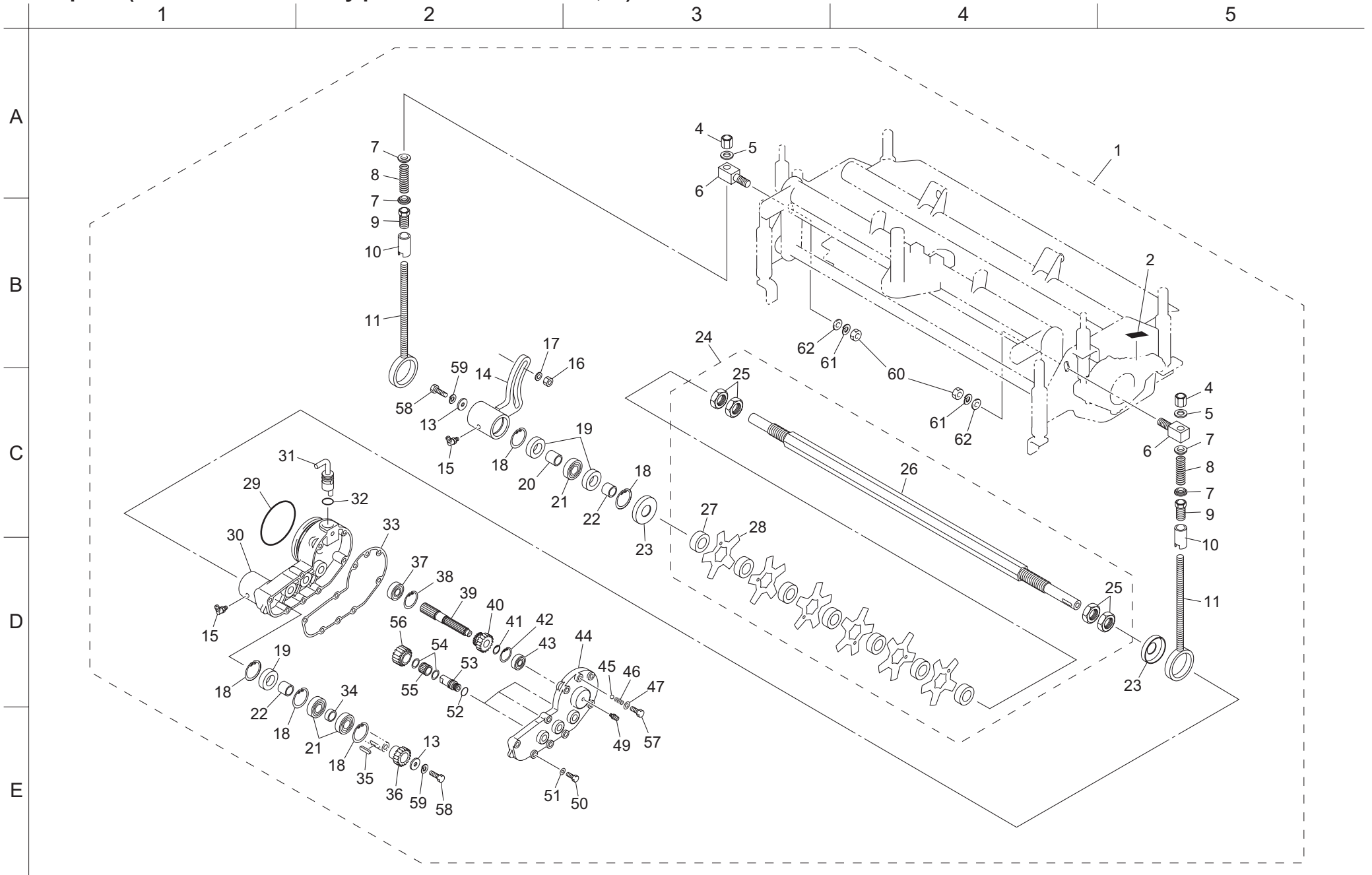
27A. Option (26inch Groomer Ass'y parts for mower unit #1,#3,#5)



Cat No.	Code No.	Part Name	Qty	Remark
27A-1	LM2700-0197Z0	left mower groomer Ass'y	3	
27A-2	K4203000080	ON-OFF mark	3	
27A-3				
27A-4	K0160000032	10 receiving blade adjusting nut P1	6	
27A-5	K5051010160	1C5191P metal washer 1016	6	
27A-6	LM2700-0136Z2	10 rod receiver	6	
27A-7	K6206000052	spring receiver	12	
27A-8	K1000000578	3.5 compression spring 2273	6	
27A-9	LM535E-1335Z2	pipe with cutter adjusting screw	6	
27A-10	LM2700-0135Z2	adjusting pipe	6	
27A-11	LM2700-0134Z2	groomer adjusting bolt	6	
27A-12				
27A-13	K5012308242	2.3SPCC metal washer 824	6	
27A-14	LM2700-0132Z2	groomer housing (L)	3	
27A-15	K1440000030	B-shaped grease nipple	6	
27A-16	K0144100002	10U nut	3	
27A-17	K5073210242	3.2SPHC metal washer 1024	3	
27A-18	K0402035001	stop ring R35	15	
27A-19	K0822235080	oil seal MHSA22358	9	
27A-20	K0737000070	multi-purpose inner ring LRT172223	6	
27A-21	K0600060030	bearing 6003	9	
27A-22	K0737000060	multi-purpose inner ring LRT172216	3	
27A-23	K5370000312	dustproof cover	6	
27A-24	LM2700-0189Z0	groomer shaft Ass'y	3	
27A-25	K0108240002	24 nut 3P1.5	12	
27A-26	LM2700-0126Z2	groomer shaft	3	
27A-27	K6214000020	28AC collar 4224.6	72	
27A-28	K2570000039	1.2-5 piece blade 85	69	
27A-29	K0885080000	O-ring S80	3	
27A-30	LM2700-0101Z0	groomer case (R)	3	
27A-31	LM2700-0114Z8	clutch lever (R)	3	
27A-32	K0880015000	O-ring P15	3	
27A-33	LM2700-0129A0	groomer packing	3	
27A-34	K6212003170	17 STKM collar 227.4	3	
27A-35	K0500404180	4 both-end round key 418	3	

Cat No.	Code No.	Part Name	Qty	Remark
27A-36	LM2700-0112Z0	17 gear	3	
27A-37	K0612060020	bearing 60022RD	3	
27A-38	K0402032001	stop ring R32	3	
27A-39	LM2700-0109Z0	spline shaft	3	
27A-40	LM2700-0110Z0	18 clutch gear	3	
27A-41	K0403015001	round stop ring S15	3	
27A-42	K0402028001	stop ring R28	3	
27A-43	K0600006001	bearing 6001	3	
27A-44	LM2700-0103Z0	groomer cover (R)	3	
27A-45	K1500635000	6.35 steel ball	3	
27A-46	K1000000090	1 compression spring 618	3	
27A-47	K0922080000	seal washer 8WF	3	
27A-48				
27A-49	K1440000010	grease nipple	12	
27A-50	K0000060252	6 bolt 25	24	
27A-51	K0212060002	6 metal washer with conical disk spring 1L	24	
27A-52	K0885014000	O-ring S14	9	
27A-53	LM2700-0111Z0	intermediate shaft	9	
27A-54	K5051013280	1C5191P metal washer 1328	18	
27A-55	K0701317120	needle KT131712	9	
27A-56	K6186000030	18 gear	9	
27A-57	K0000080102	8 bolt 10	3	
27A-58	K0000080152	8 bolt 15	6	
27A-59	K0200080002	8S washer	6	
27A-60	K0100100002	10 nut	6	
27A-61	K0200100002	10S washer	6	
27A-62	K5000100002	10 washer	6	

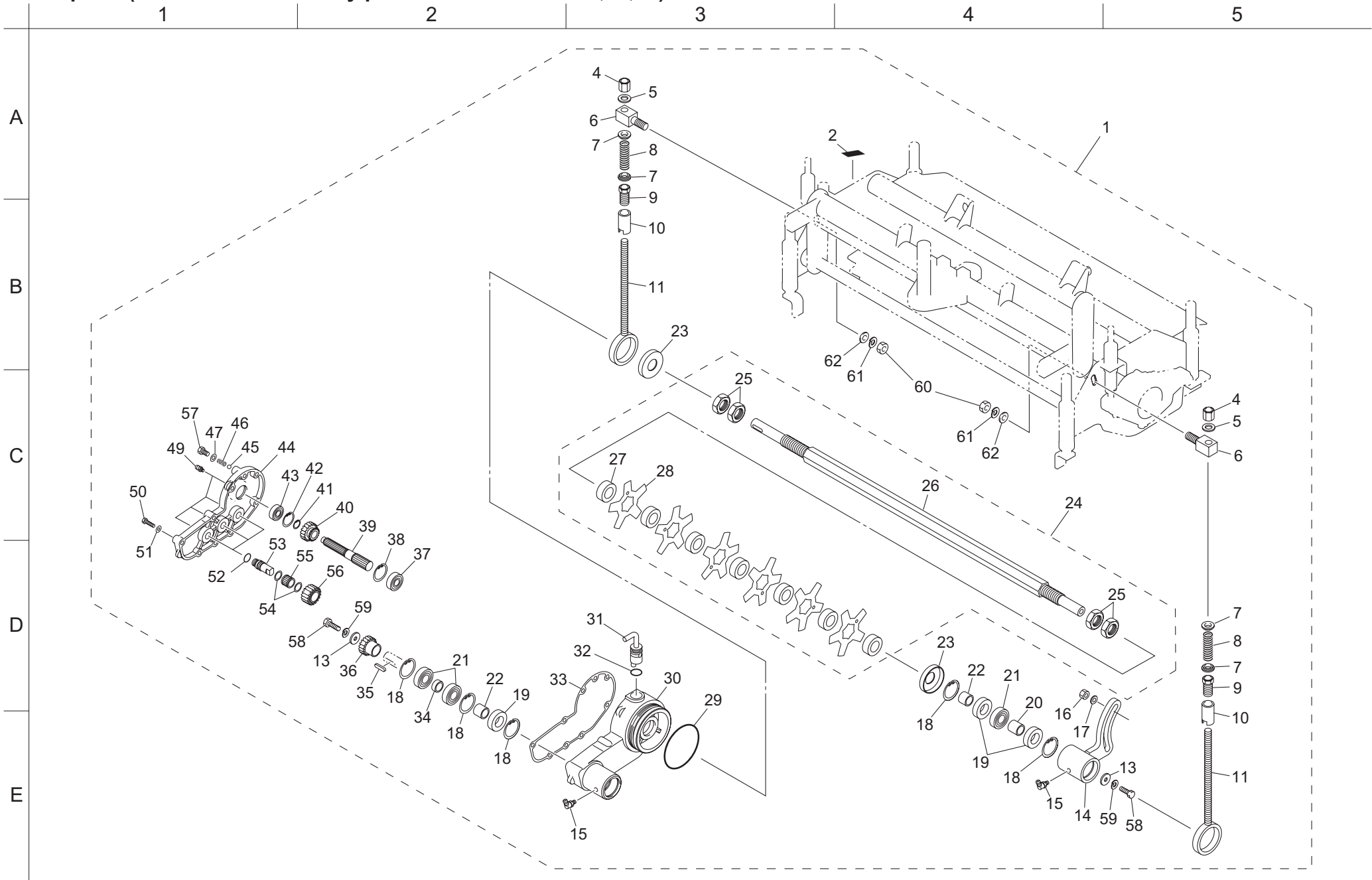
28A. Option (26inch Groomer Ass'y parts for mower unit #2,#4)



Cat No.	Code No.	Part Name	Qty	Remark
28A-1	LM2700-0199Z0	right mower groomer Ass'y	2	
28A-2	K4203000080	ON-OFF mark	2	
28A-3				
28A-4	K0160000032	10 receiving blade adjusting nut P1	4	
28A-5	K5051010160	1C5191P metal washer 1016	4	
28A-6	LM2700-0136Z2	10 rod receiver	4	
28A-7	K6206000052	spring receiver	8	
28A-8	K1000000578	3.5 compression spring 2273	4	
28A-9	LM535E-1335Z2	pipe with cutter adjusting screw	4	
28A-10	LM2700-0135Z2	adjusting pipe	4	
28A-11	LM2700-0134Z2	groomer adjusting bolt	4	
28A-12				
28A-13	K5012308242	2.3SPCC metal washer 824	4	
28A-14	LM2700-0133Z2	groomer housing (R)	2	
28A-15	K1440000030	B-shaped grease nipple	4	
28A-16	K0144100002	10U nut	2	
28A-17	K5073210242	3.2SPHC metal washer 1024	2	
28A-18	K0402035001	stop ring R35	10	
28A-19	K0822235080	oil seal MHSA22358	6	
28A-20	K0737000070	multi-purpose inner ring LRT172223	4	
28A-21	K0600060030	bearing 6003	6	
28A-22	K0737000060	multi-purpose inner ring LRT172216	2	
28A-23	K5370000312	dustproof cover	4	
28A-24	LM2700-0189Z0	groomer shaft Ass'y	2	
28A-25	K0108240002	24 nut 3P1.5	8	
28A-26	LM2700-0126Z2	groomer shaft	2	
28A-27	K6214000020	28AC collar 4224.6	48	
28A-28	K2570000039	1.2-5 piece blade 85	46	
28A-29	K0885080000	O-ring S80	2	
28A-30	LM2700-0102Z0	groomer case (L)	2	
28A-31	LM2700-0115Z8	clutch lever (L)	2	
28A-32	K0880015000	O-ring P15	2	
28A-33	LM2700-0129A0	groomer packing	2	
28A-34	K6212003170	17 STKM collar 227.4	2	
28A-35	K0500404180	4 both-end round key 418	2	

Cat No.	Code No.	Part Name	Qty	Remark
28A-36	LM2700-0112Z0	17 gear	2	
28A-37	K0612060020	bearing 60022RD	2	
28A-38	K0402032001	stop ring R32	2	
28A-39	LM2700-0109Z0	spline shaft	2	
28A-40	LM2700-0110Z0	18 clutch gear	2	
28A-41	K0403015001	round stop ring S15	2	
28A-42	K0402028001	stop ring R28	2	
28A-43	K0600006001	bearing 6001	2	
28A-44	LM2700-0104Z0	groomer cover (L)	2	
28A-45	K1500635000	6.35 steel ball	2	
28A-46	K1000000090	1 compression spring 618	2	
28A-47	K0922080000	seal washer 8WF	2	
28A-48				
28A-49	K1440000010	grease nipple	8	
28A-50	K0000060252	6 bolt 25	16	
28A-51	K0212060002	6 metal washer with conical disk spring 1L	16	
28A-52	K0885014000	O-ring S14	6	
28A-53	LM2700-0111Z0	intermediate shaft	6	
28A-54	K5051013280	1C5191P metal washer 1328	12	
28A-55	K0701317120	needle KT131712	6	
28A-56	K6186000030	18 gear	6	
28A-57	K0000080102	8 bolt 10	2	
28A-58	K0000080152	8 bolt 15	4	
28A-59	K0200080002	8S washer	4	
28A-60	K0100100002	10 nut	6	
28A-61	K0200100002	10S washer	6	
28A-62	K5000100002	10 washer	6	

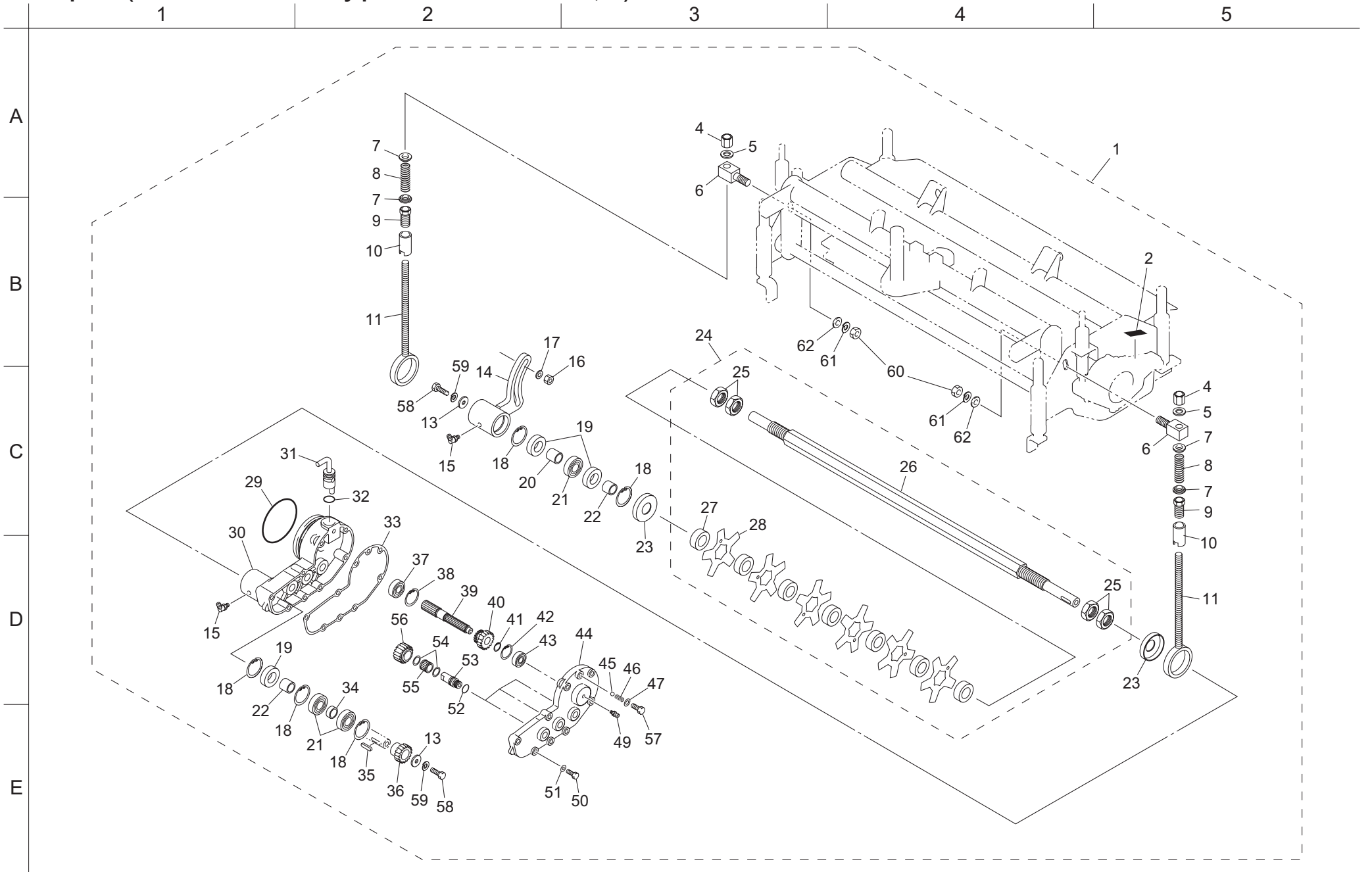
27B. Option (22inch Groomer Ass'y parts for mower unit #1,#3,#5)



Cat No.	Code No.	Part Name	Qty	Remark
27B-1	LM2700-2120Z0	left mower groomer Ass'y	3	
27B-2	K4203000080	ON-OFF mark	3	
27B-3				
27B-4	K0160000032	10 receiving blade adjusting nut P1	6	
27B-5	K5051010160	1C5191P metal washer 1016	6	
27B-6	LM2700-0136Z2	10 rod receiver	6	
27B-7	K6206000052	spring receiver	12	
27B-8	K1000000578	3.5 compression spring 2273	6	
27B-9	LM535E-1335Z2	pipe with cutter adjusting screw	6	
27B-10	LM2700-0135Z2	adjusting pipe	6	
27B-11	LM2700-0134Z2	groomer adjusting bolt	6	
27B-12				
27B-13	K5012308242	2.3SPCC metal washer 824	6	
27B-14	LM2700-0132Z2	groomer housing (L)	3	
27B-15	K1440000030	B-shaped grease nipple	6	
27B-16	K0144100002	10U nut	3	
27B-17	K5073210242	3.2SPHC metal washer 1024	3	
27B-18	K0402035001	stop ring R35	15	
27B-19	K0822235080	oil seal MHSA22358	9	
27B-20	K0737000070	multi-purpose inner ring LRT172223	6	
27B-21	K0600060030	bearing 6003	9	
27B-22	K0737000060	multi-purpose inner ring LRT172216	3	
27B-23	K5370000312	dustproof cover	6	
27B-24	LM2700-2121Z0	22 groomer shaft Ass'y	3	
27B-25	K0108240002	24 nut 3P1.5	12	
27B-26	LM2700-2110Z2	groomer shaft	3	
27B-27	K6214000020	28AC collar 4224.6	60	
27B-28	K2570000039	1.2-5 piece blade 85	57	
27B-29	K0885080000	O-ring S80	3	
27B-30	LM2700-0101Z0	groomer case (R)	3	
27B-31	LM2700-0114Z8	clutch lever (R)	3	
27B-32	K0880015000	O-ring P15	3	
27B-33	LM2700-0129A0	groomer packing	3	
27B-34	K6212003170	17 STKM collar 227.4	3	
27B-35	K0500404180	4 both-end round key 418	3	

Cat No.	Code No.	Part Name	Qty	Remark
27B-36	LM2700-0112Z0	17 gear	3	
27B-37	K0612060020	bearing 60022RD	3	
27B-38	K0402032001	stop ring R32	3	
27B-39	LM2700-0109Z0	spline shaft	3	
27B-40	LM2700-0110Z0	18 clutch gear	3	
27B-41	K0403015001	round stop ring S15	3	
27B-42	K0402028001	stop ring R28	3	
27B-43	K0600006001	bearing 6001	3	
27B-44	LM2700-0103Z0	groomer cover (R)	3	
27B-45	K1500635000	6.35 steel ball	3	
27B-46	K1000000090	1 compression spring 618	3	
27B-47	K0922080000	seal washer 8WF	3	
27B-48				
27B-49	K1440000010	grease nipple	12	
27B-50	K0000060252	6 bolt 25	24	
27B-51	K0212060002	6 metal washer with conical disk spring 1L	24	
27B-52	K0885014000	O-ring S14	9	
27B-53	LM2700-0111Z0	intermediate shaft	9	
27B-54	K5051013280	1C5191P metal washer 1328	18	
27B-55	K0701317120	needle KT131712	9	
27B-56	K6186000030	18 gear	9	
27B-57	K0000080102	8 bolt 10	3	
27B-58	K0000080152	8 bolt 15	6	
27B-59	K0200080002	8S washer	6	
27B-60	K0100100002	10 nut	6	
27B-61	K0200100002	10S washer	6	
27B-62	K5000100002	10 washer	6	

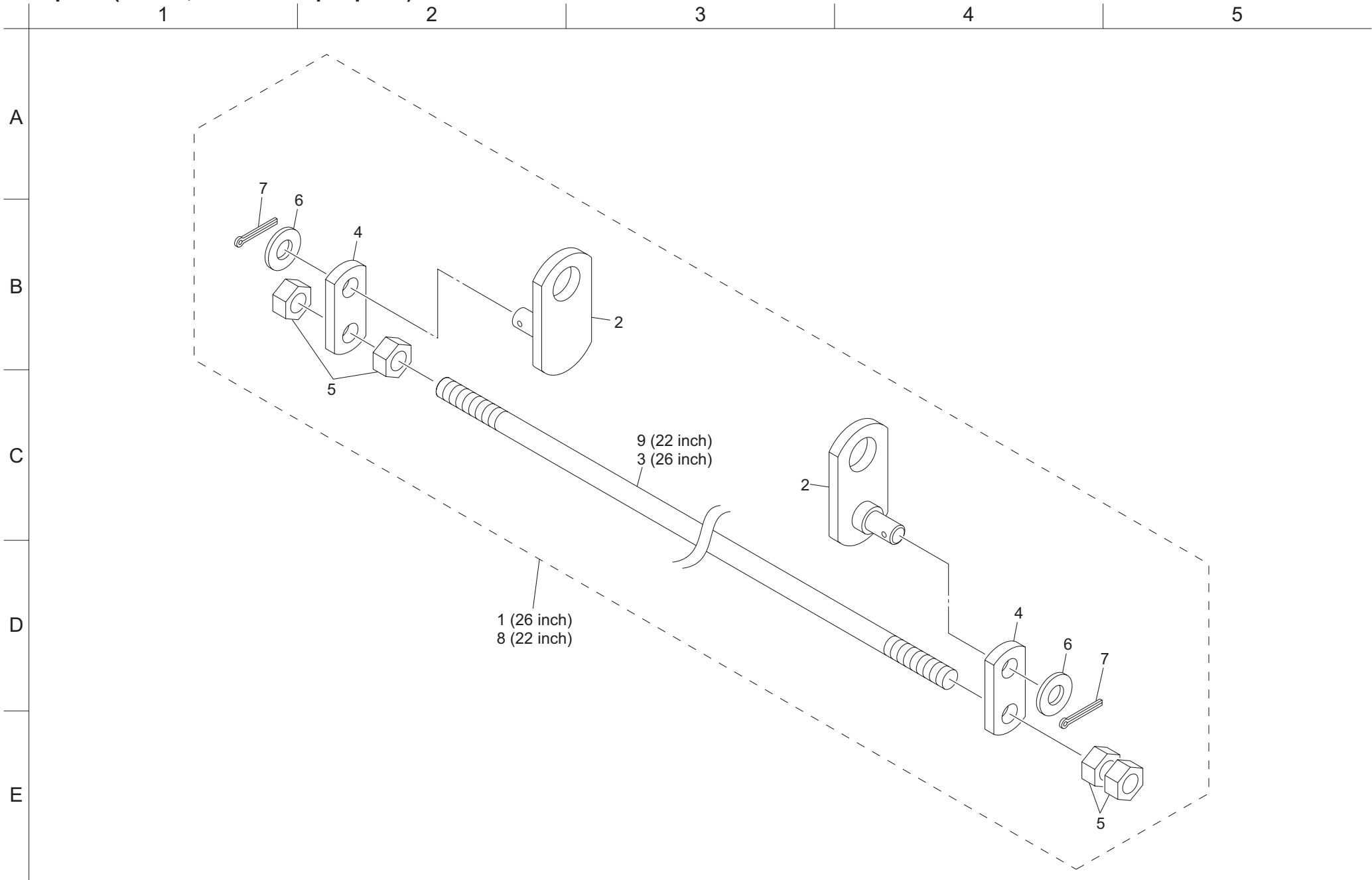
28B. Option (22inch Groomer Ass'y parts for mower unit #2,#4)



Cat No.	Code No.	Part Name	Qty	Remark
28B-1	LM2700-2123Z0	right mower groomer Ass'y	2	
28B-2	K4203000080	ON-OFF mark	2	
28B-3				
28B-4	K0160000032	10 receiving blade adjusting nut P1	4	
28B-5	K5051010160	1C5191P metal washer 1016	4	
28B-6	LM2700-0136Z2	10 rod receiver	4	
28B-7	K6206000052	spring receiver	8	
28B-8	K1000000578	3.5 compression spring 2273	4	
28B-9	LM535E-1335Z2	pipe with cutter adjusting screw	4	
28B-10	LM2700-0135Z2	adjusting pipe	4	
28B-11	LM2700-0134Z2	groomer adjusting bolt	4	
28B-12				
28B-13	K5012308242	2.3SPCC metal washer 824	4	
28B-14	LM2700-0133Z2	groomer housing (R)	2	
28B-15	K1440000030	B-shaped grease nipple	4	
28B-16	K0144100002	10U nut	2	
28B-17	K5073210242	3.2SPHC metal washer 1024	2	
28B-18	K0402035001	stop ring R35	10	
28B-19	K0822235080	oil seal MHSA22358	6	
28B-20	K0737000070	multi-purpose inner ring LRT172223	4	
28B-21	K0600060030	bearing 6003	6	
28B-22	K0737000060	multi-purpose inner ring LRT172216	2	
28B-23	K5370000312	dustproof cover	4	
28B-24	LM2700-2121Z0	22 groomer shaft Ass'y	2	
28B-25	K0108240002	24 nut 3P1.5	8	
28B-26	LM2700-2110Z2	22 groomer shaft	2	
28B-27	K6214000020	28AC collar 4224.6	40	
28B-28	K2570000039	1.2-5 piece blade 85	38	
28B-29	K0885080000	O-ring S80	2	
28B-30	LM2700-0102Z0	groomer case (L)	2	
28B-31	LM2700-0115Z8	clutch lever (L)	2	
28B-32	K0880015000	O-ring P15	2	
28B-33	LM2700-0129A0	groomer packing	2	
28B-34	K6212003170	17 STKM collar 227.4	2	
28B-35	K0500404180	4 both-end round key 418	2	

Cat No.	Code No.	Part Name	Qty	Remark
28B-36	LM2700-0112Z0	17 gear	2	
28B-37	K0612060020	bearing 60022RD	2	
28B-38	K0402032001	stop ring R32	2	
28B-39	LM2700-0109Z0	spline shaft	2	
28B-40	LM2700-0110Z0	18 clutch gear	2	
28B-41	K0403015001	round stop ring S15	2	
28B-42	K0402028001	stop ring R28	2	
28B-43	K0600006001	bearing 6001	2	
28B-44	LM2700-0104Z0	groomer cover (L)	2	
28B-45	K1500635000	6.35 steel ball	2	
28B-46	K1000000090	1 compression spring 618	2	
28B-47	K0922080000	seal washer 8WF	2	
28B-48				
28B-49	K1440000010	grease nipple	8	
28B-50	K0000060252	6 bolt 25	16	
28B-51	K0212060002	6 metal washer with conical disk spring 1L	16	
28B-52	K0885014000	O-ring S14	6	
28B-53	LM2700-0111Z0	intermediate shaft	6	
28B-54	K5051013280	1C5191P metal washer 1328	12	
28B-55	K0701317120	needle KT131712	6	
28B-56	K6186000030	18 gear	6	
28B-57	K0000080102	8 bolt 10	2	
28B-58	K0000080152	8 bolt 15	4	
28B-59	K0200080002	8S washer	4	
28B-60	K0100100002	10 nut	6	
28B-61	K0200100002	10S washer	6	
28B-62	K5000100002	10 washer	6	

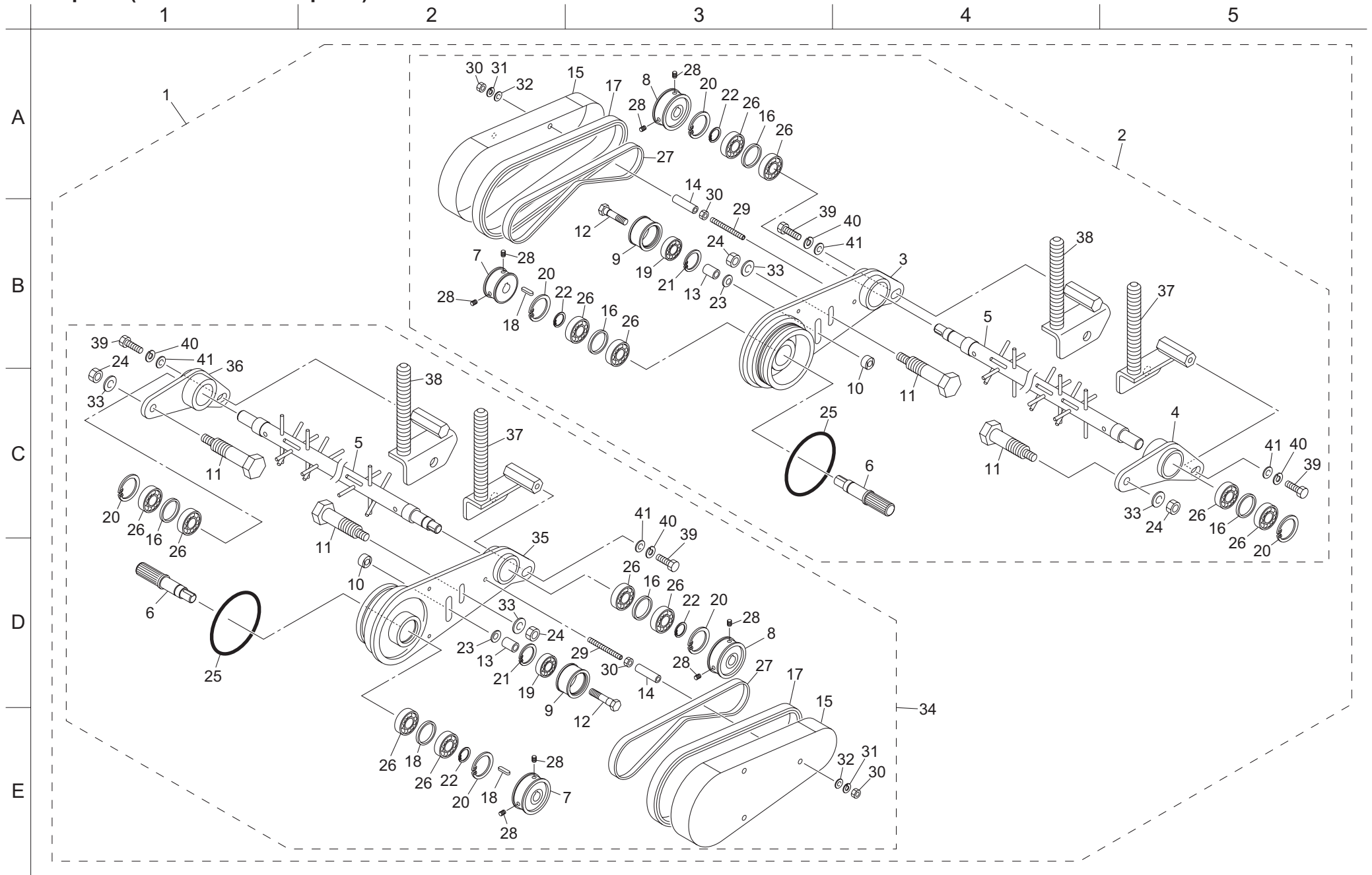
29. Option (26inch, 22inch scraper parts)



Cat No.	Code No.	Part Name	Qty		Remark
			26	22	
29-1	LM2700-4402Z0	scraper Ass'y	1	0	for one mower unit (26 inch)
29-2	LM2700-4403ZD	mount fitting	2	2	for one mower unit
29-3	LM2700-4404Z0	scraper 768	1	0	for one mower unit (26 inch)
29-4	LM2700-4405ZD	connection plate	2	2	for one mower unit
29-5	K0100080002	8 nut	4	4	for one mower unit
29-6	K5000080002	8 washer	2	2	for one mower unit
29-7	K0300020162	2 split pin 16	2	2	for one mower unit
29-8	LM2700-4502Z0	scraper Ass'y	0	1	for one mower unit (22 inch)
29-9	LM2700-4504Z0	scraper 666	0	1	for one mower unit (22 inch)

Cat No.	Code No.	Part Name	Qty	Remark

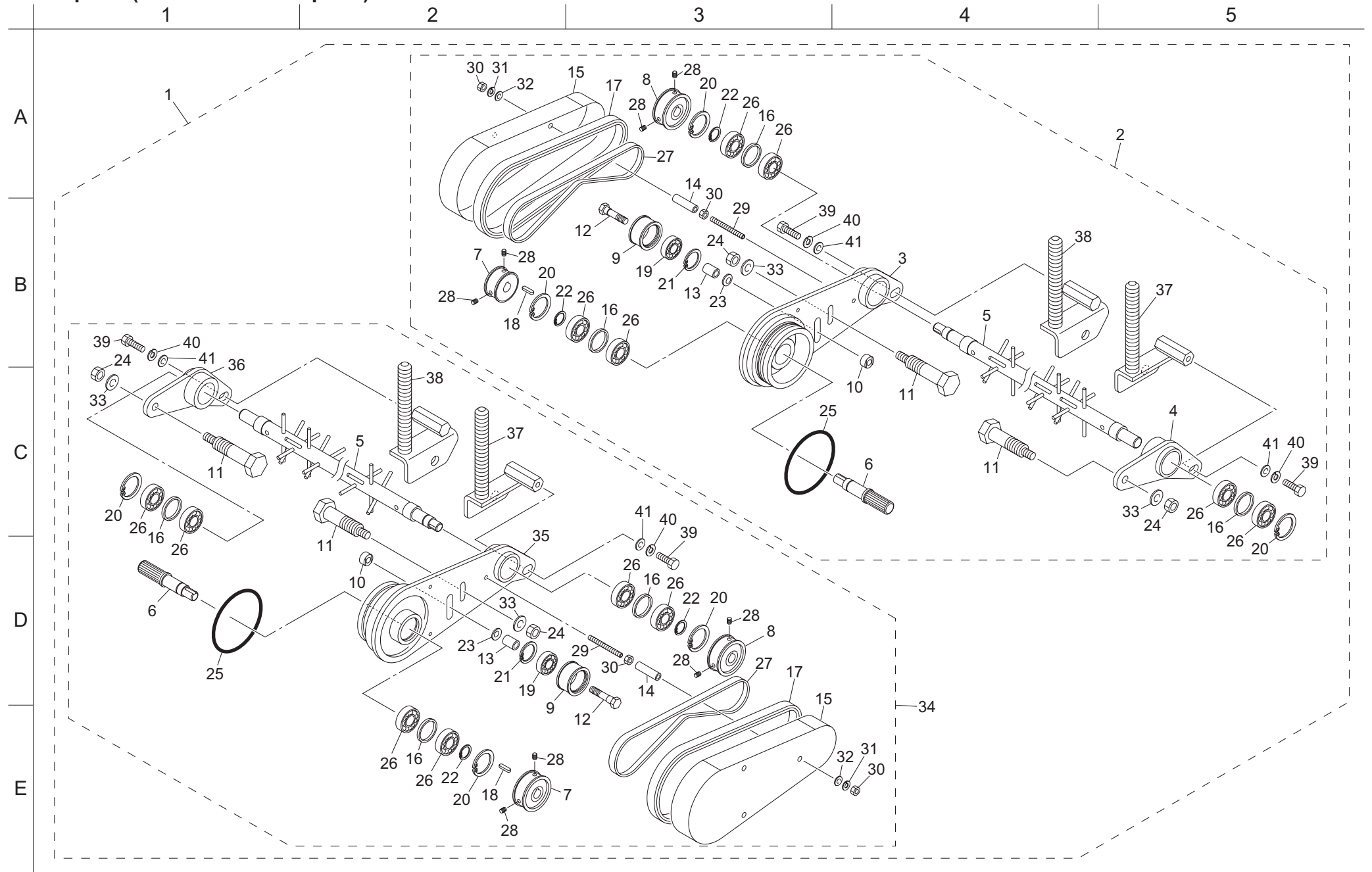
30A. Option (26inch CR brush parts)



Cat No.	Code No.	Part Name	Qty	Remark
30A-1	LM2700-4124Z0	CR brush Ass'y	1	for one machine
30A-2	LM2700-4126Z0	CR brush (R) Ass'y	3	
30A-3	LM2700-4113ZD	brush frame (R)	3	
30A-4	LM2700-4115ZD	brush housing (L)	3	
30A-5	LM2700-4101Z0	rotor brush	5	
30A-6	LM2700-4105Z0	driving shaft	5	
30A-7	LM2700-4106Z2	driving pulley	5	
30A-8	LM2700-4107Z2	brush shaft pulley	5	
30A-9	LM2700-4108Z2	tension pulley 1232	5	
30A-10	LM2700-4109Z2	screw base	5	
30A-11	LM2700-4110Z2	axis bolt	10	
30A-12	LM2700-4111Z8	8 special bolt	5	
30A-13	K6211000482	9.2 SGP collar 13.814	5	
30A-14	K6211000492	6.5 SGP collar 10.526.4	15	
30A-15	LM2700-4120ZD	belt cover	5	
30A-16	K6212004172	28.6 STKM collar 31.85	15	
30A-17	LM2700-4123Z0	8U rubber 615	5	
30A-18	K0520404140	4 single round key 414	10	
30A-19	K0608006290	bearing 6292RS	5	
30A-20	K0402032001	stop ring R32	15	
30A-21	K0402026001	stop ring R26	5	
30A-22	K0403015001	stop ring round S15	5	
30A-23	K0213080002	8 metal washer with conical disk spring H	5	
30A-24	K0144080002	8U nut	10	
30A-25	K0885080000	O-ring S80	5	
30A-26	K0612060020	bearing 60022RD	30	
30A-27	K2380000030	F start belt 10FL-500	5	
30A-28	K0023050081	5 hollow set screw 8	20	
30A-29	K0023060502	6 hollow set screw 50	15	
30A-30	K0100060002	6 nut	30	
30A-31	K0200060002	6S washer	15	
30A-32	K5000060002	6 washer	15	
30A-33	K5000080002	8 washer	10	
30A-34	LM2700-4127Z0	CR brush (L) Ass'y	2	
30A-35	LM2700-4114ZD	brush frame (L)	2	

Cat No.	Code No.	Part Name	Qty	Remark
30A-36	LM2700-4116ZD	brush housing (R)	2	
30A-37	LM2700-4117Z2	cutting height adjusting screw (L)	5	
30A-38	LM2700-4118Z2	cutting height adjusting screw (R)	5	
30A-39	K0000080202	8 bolt 20	10	
30A-40	K0200080002	8S washer	10	
30A-41	K5000080002	8 washer	10	

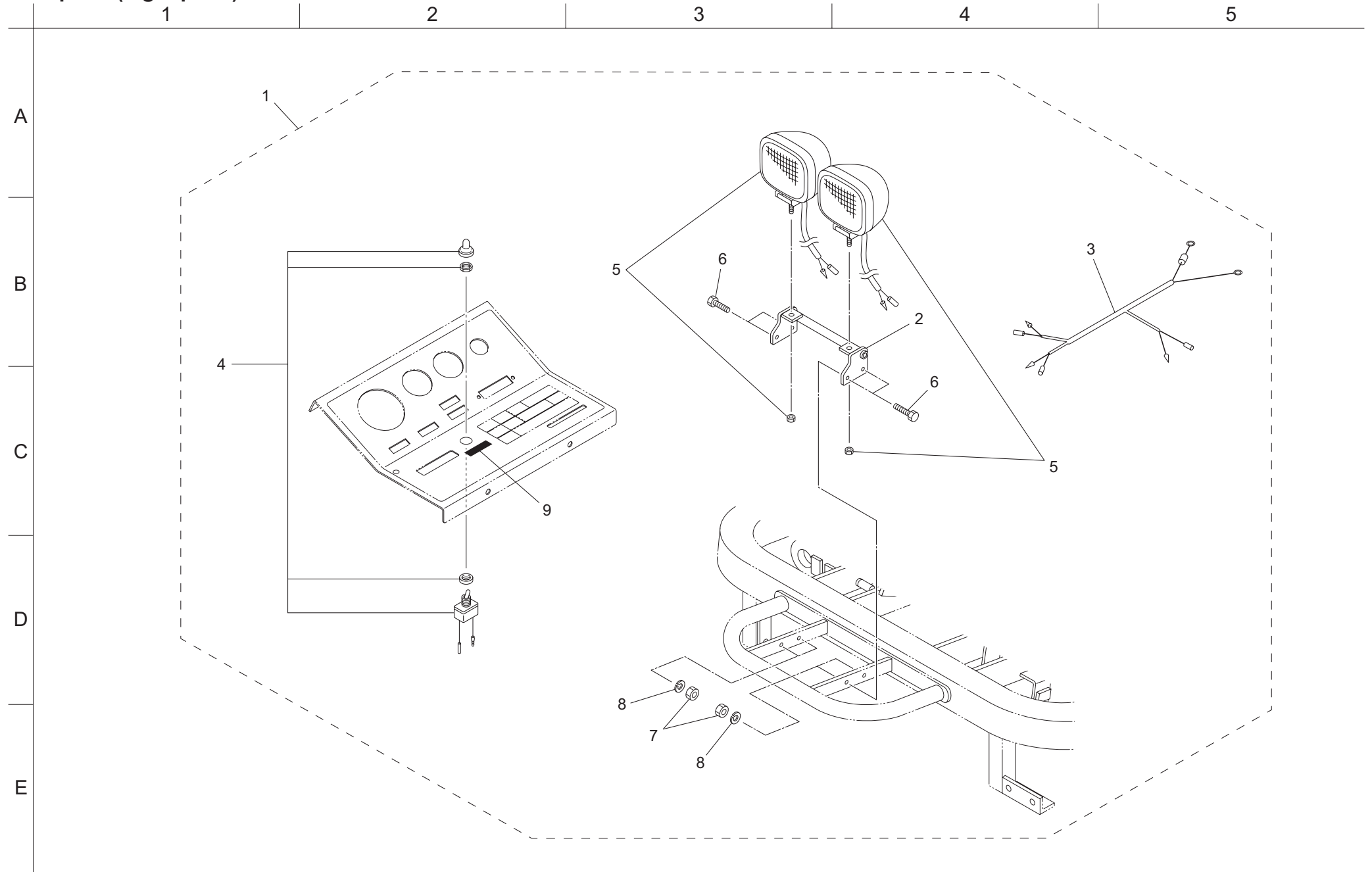
30B. Option (22inch CR brush parts)



Cat No.	Code No.	Part Name	Qty	Remark
30B-1	LM2700-4301Z0	22 CR brush Ass'y	1	for one machine
30B-2	LM2700-4302Z0	22 CR brush (R) Ass'y	3	
30B-3	LM2700-4113ZD	brush frame (R)	3	
30B-4	LM2700-4115ZD	brush housing (L)	3	
30B-5	LM2700-4304Z0	22 rotor brush	5	
30B-6	LM2700-4105Z0	driving shaft	5	
30B-7	LM2700-4106Z2	driving pulley	5	
30B-8	LM2700-4107Z2	brush shaft pulley	5	
30B-9	LM2700-4108Z2	tension pulley 1232	5	
30B-10	LM2700-4109Z2	screw base	5	
30B-11	LM2700-4110Z2	axis bolt	10	
30B-12	LM2700-4111Z8	8 special bolt	5	
30B-13	K6211000482	9.2 SGP collar 13.814	5	
30B-14	K6211000492	6.5 SGP collar 10.526.4	15	
30B-15	LM2700-4120ZD	belt cover	5	
30B-16	K6212004172	28.6 STKM collar 31.85	15	
30B-17	LM2700-4123Z0	8U rubber 615	5	
30B-18	K0520404140	4 single round key 414	10	
30B-19	K0608006290	bearing 6292RS	5	
30B-20	K0402032001	stop ring R32	15	
30B-21	K0402026001	stop ring R26	5	
30B-22	K0403015001	stop ring round S15	5	
30B-23	K0213080002	8 metal washer with conical disk spring H	5	
30B-24	K0144080002	8U nut	10	
30B-25	K0885080000	O-ring S80	5	
30B-26	K0612060020	bearing 60022RD	30	
30B-27	K2380000030	F start belt 10FL-500	5	
30B-28	K0023050081	5 hollow set screw 8	20	
30B-29	K0023060502	6 hollow set screw 50	15	
30B-30	K0100060002	6 nut	30	
30B-31	K0200060002	6S washer	15	
30B-32	K5000060002	6 washer	15	
30B-33	K5000080002	8 washer	10	
30B-34	LM2700-4306Z0	22 CR brush (L) Ass'y	2	
30B-35	LM2700-4114ZD	brush frame (L)	2	

Cat No.	Code No.	Part Name	Qty	Remark
30B-36	LM2700-4116ZD	brush housing (R)	2	
30B-37	LM2700-4117Z2	cutting height adjusting screw (L)	5	
30B-38	LM2700-4118Z2	cutting height adjusting screw (R)	5	
30B-39	K0000080202	8 bolt 20	10	
30B-40	K0200080002	8S washer	10	
30B-41	K5000080002	8 washer	10	

31. Option (Light parts)



Cat No.	Code No.	Part Name	Qty	Remark
31-1	LM2700-1703Z0	light bracket Ass'y	1	
31-2	LM2700-1701ZD	light bracket	1	
31-3	LM2700-1702Z0	wire harness,light	1	
31-4	K3662000100	national switch WD101181	1	
31-5	K3640000070	working lamp WL-B220A	2	
31-6	K0000080302	8 bolt 30	4	
31-7	K0100080002	8 nut	4	
31-8	K0200080002	8S washer	4	
31-9	K4203001140	ON-OFF mark A	1	

Cat No.	Code No.	Part Name	Qty	Remark



KYOEISHA CO., LTD.

Head Office
1-26, Miyuki-cho, Toyokawa,
Aichi-Pref. 442-8530 Japan.

BRONNEN
Turf Care Machinery
Tel: (0533) 84-1390
Fax: (0533) 89-3623