

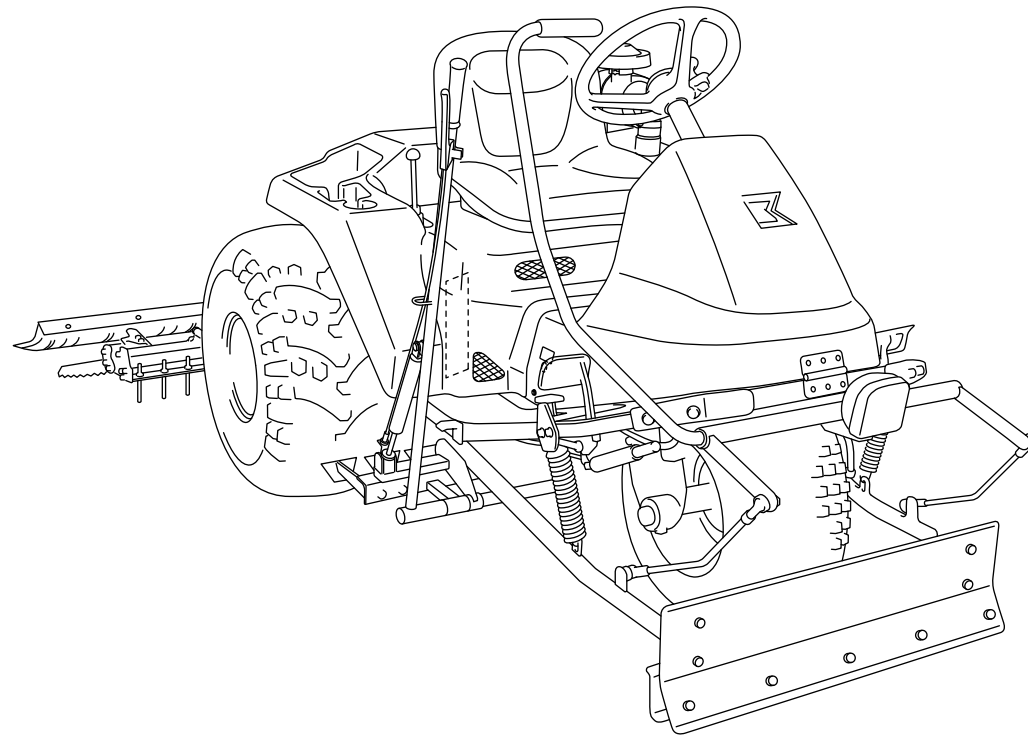
BARONESS®

Grounds Maintenance Machinery

SP05

Bunker Rake

Parts catalogue



BARONESS®

Quality on Demand

Original Instructions Ver.1.1

Contents

Contents	1
Parts catalogue	2
1. Frame section	3 · 4
2. Steering section	5 · 6
3. Front wheel section	7 · 8
4. Brake pedal section	9 · 10
5. Rear wheel section	11 · 12
6. Engine section	13 · 14
7. Belt tension section	15 · 16
8. Traveling connection section	17 · 18
9. Hydraulic section (rake raise/lower, power steering)	19 · 20
10. Traveling hydraulic section	21 · 22
11. Traveling hydraulic section (for three-wheel drive)	23 · 24
12. Cover section	25 · 26
13. Electrical section	27 · 28
14. Rake section 1	29 · 30
15. Rake section 2	31 · 32
16. Accessory section	33 · 34
17. Front blade section (option)	35 · 36
18. Sand cultivator section (option)	37 · 38
20. Finishing brush section (option)	39 · 40
21. Light section	41 · 42
22. Cargo box section	43 · 44

Bunker Rake

SP05

BARONNESS®
Ground Management Machines

Parts catalogue

☆ Ordering parts

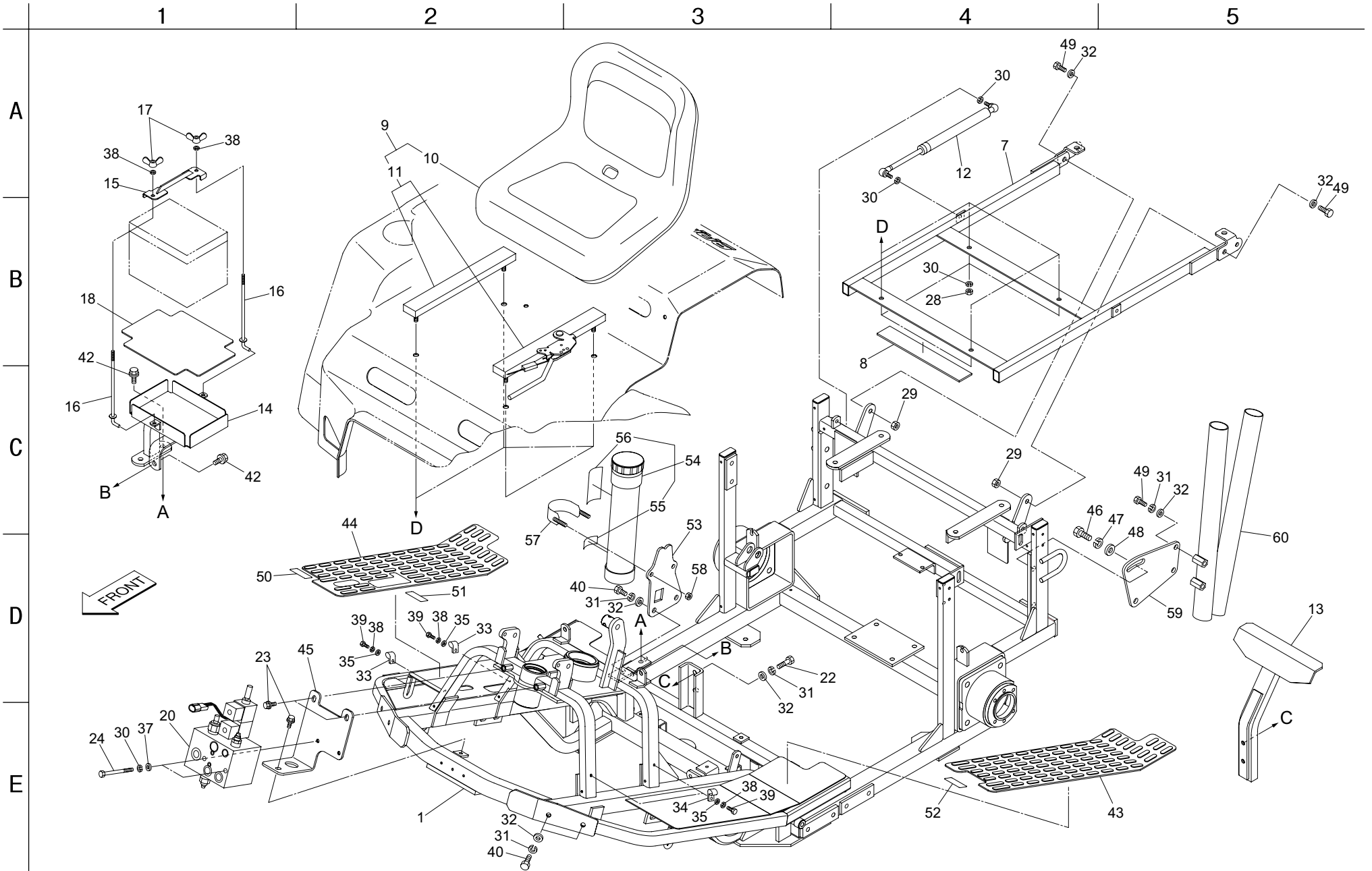
All parts in this parts catalogue are controlled by computer.

For prevention of delivery of wrong parts, advise us of the catalogue No., code No., and part name.

(Example)	Cat No.	Code No.	Part name	Qty
	1-1	SP05---0101CD	Frame	1

1. Frame section

SP05



Cat No.	Code No.	Part name	Qty	Remarks			
1 - 1	SP05---0101CD	Frame	1				
1 - 2							
1 - 3							
1 - 4							
1 - 5							
1 - 6	SP05---0102BD	Seat Mount	1				
1 - 7							
1 - 8					K4033000520	4 Rubber Plate 40260	1
1 - 9					K1700000240	Slide Saddle XB-150 Ass'y	1
1 - 10					K1700000230	Saddle XB-150	1
1 - 11	K1701000050	XB-180 Slide Rail	1				
1 - 12	K3381000020	Gas Spring C20	1				
1 - 13	SP05---0103ZD	Seat Mount Support Fitting	1				
1 - 14	SP05---0104AD	Battery Mount	1				
1 - 15	SP05---0105ZD	Battery Pressure Fitting	1				
1 - 16	SP05---0106Z2	Battery Set Screw	2				
1 - 17	K0140060002	6 Wing Nut	2				
1 - 18	K4033000530	Battery Mount Rubber	1				
1 - 19							
1 - 20	K3313000320	Valve Module	1				
1 - 21							
1 - 22	K0000100402	10 Bolt 40	2				
1 - 23	K0007080152	8 Bolt 15SW	3				
1 - 24	K0003081002	8 Bolt 100	2				
1 - 25							
1 - 26							
1 - 27							
1 - 28	K0100080002	8 Nut	4				
1 - 29	K0100100002	10 Nut	2				
1 - 30	K0200080002	8S Washer	8				
1 - 31	K0200100002	10S Washer	10				
1 - 32	K5000100002	10 Washer	12				
1 - 33	K4270030060	30 Harness Clip M6	2				
1 - 34	K4270050060	50 Harness Clip M6	2				
1 - 35	K5000060002	6 Washer	4				

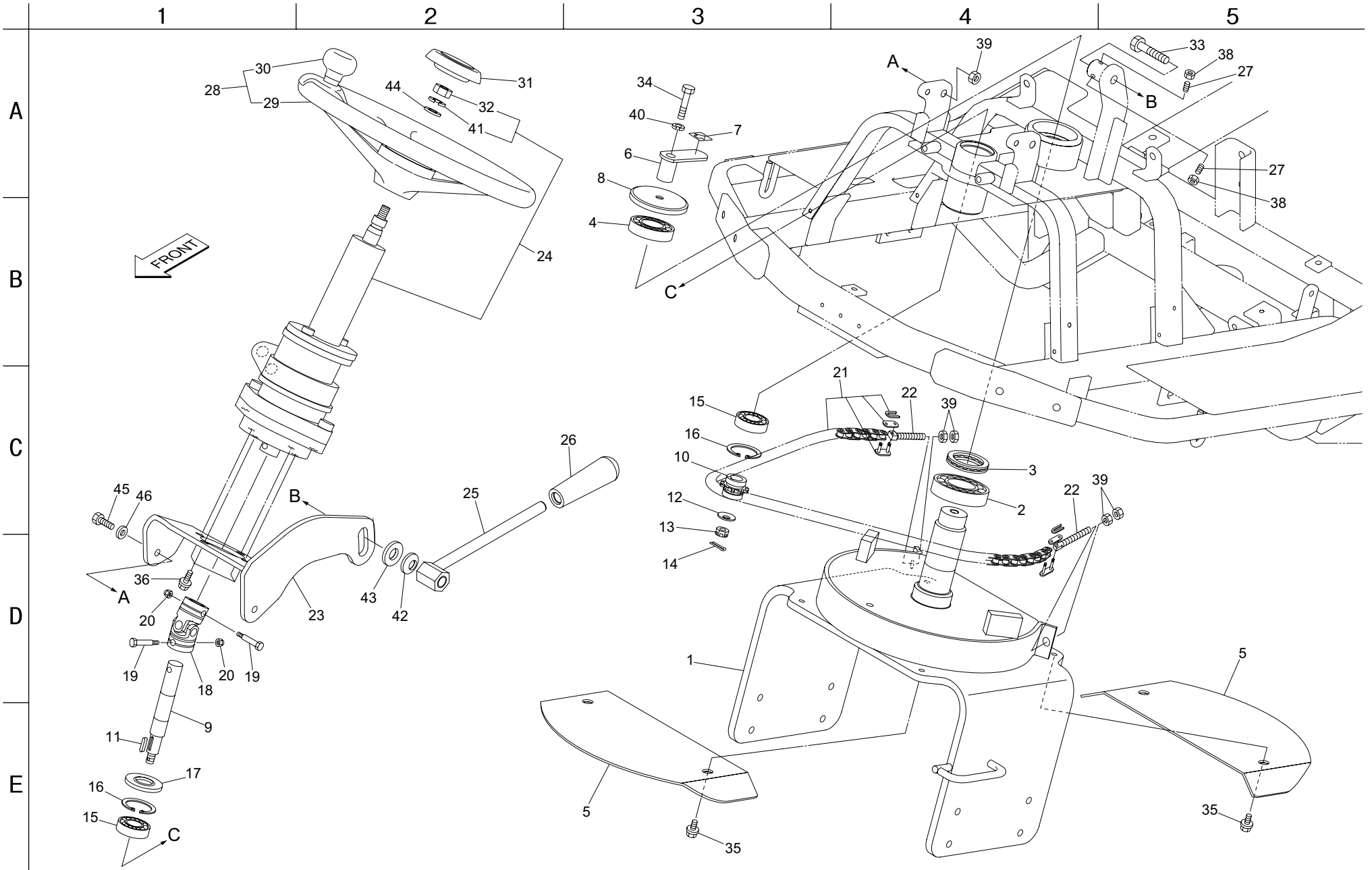
Cat No.	Code No.	Part name	Qty	Remarks
1 - 36				
1 - 37	K5000080002	8 Washer	2	
1 - 38	K0200060002	6S Washer	6	
1 - 39	K0000060102	6 Bolt 10	4	
1 - 40	K0000100202	10 Bolt 20	6	
1 - 41				
1 - 42	K0007100202	10 Bolt 20SW	3	
1 - 43	SP05---0121Z0	Step Mat (Left)	1	
1 - 44	SP05---0120Z0	Step Mat (Right)	1	
1 - 45	SP05---0114ZD	Valve Mount	1	
1 - 46	K0000120202	12 Bolt 20	2	
1 - 47	K0200120002	12S Washer	2	
1 - 48	K5000120002	12 Washer	2	
1 - 49	K0000100302	10 Bolt 30	4	
1 - 50	K4203001430	Forward Label	1	
1 - 51	K4203001440	Backward Label	1	
1 - 52	K4203001450	Brake Label	1	
1 - 53	SP05---2124ZD	Manual Case Mounting Plate	1	
1 - 54	SP05---2120Z0	Manual Case	1	
1 - 55	K4209001300	Owner's Manual Label	1	
1 - 56	K4205001560	"Read Manual Carefully" Label	1	
1 - 57	SP05---2125Z2	Fixing Band	1	
1 - 58	K0144080002	8U Nut	2	
1 - 59	SP05---0109ZD	Broom pipe mounting plate	1	
1 - 60	SP05---0110ZD	Broom pipe	1	

1. Frame section

SP05

2. Steering section

SP05



Cat No.	Code No.	Part name	Qty	Remarks
2 - 1	SP05---0201AD	Front Wheel Arm	1	
2 - 2	K0608062070	Bearing 62072RS	1	
2 - 3	K0640511070	Thrust Bearing 51107	1	
2 - 4	K0612062060	Bearing 62062RD	1	
2 - 5	SP05---0202ZD	Sand Prevention Board	2	
2 - 6	SP05---0203ZR	Guide Fitting	1	
2 - 7	K4209001180	Front Wheel Mark	1	
2 - 8	K620400053D	Bearing Cover	1	
2 - 9	SP05---0204Z0	Steering Gear Shaft	1	
2 - 10	K2230000018	12.7 Sprocket 9	1	
2 - 11	K0500404200	4 Both-End Round Key 420	1	
2 - 12	K0210100002	10 Disc Spring L	1	
2 - 13	K0124100002	10 Slotted Nut Low	1	
2 - 14	K0300025252	2.5 Split Pin 25	1	
2 - 15	K0608060040	Bearing 60042RS	2	
2 - 16	K0402042001	Stop Ring R42	2	
2 - 17	K0822047060	Oil Seal MHSA20476	1	
2 - 18	K1620000220	Joint	1	
2 - 19	K6121000370	8 Joint Pin 35	2	
2 - 20	K0144060002	6U Nut	2	
2 - 21	K2210000440	EK428SH Chain 45JJ	1	
2 - 22	K6122000302	10 Adjusting Screw 70	2	
2 - 23	SP05---0205AD	Handle Bracket	1	
2 - 24	K3294000110	Steering Column Ass'y	1	
2 - 25	SP05---0206ZD	Tilt Lever	1	
2 - 26	K1300000070	9 Grip Black 22	1	
2 - 27	K0023080151	8 Hollow Set 15	2	
2 - 28	K1710000070	Steering w/ Knob V027220-0000	1	
2 - 29	K1710000080	Steering V027220-0101	1	
2 - 30	K1710000090	Knob Ass'y V027220-0200	1	
2 - 31	K1310000130	Rubber Cap	1	
2 - 32	K0105120002	12 Nut P1.25	1	
2 - 33	K0003120652	12 Bolt 65	1	
2 - 34	K0013100502	10 Heat-Treated Bolt 50	1	
2 - 35	K0021080102	8 Bolt w/ Flange 10 (Type 1)	4	

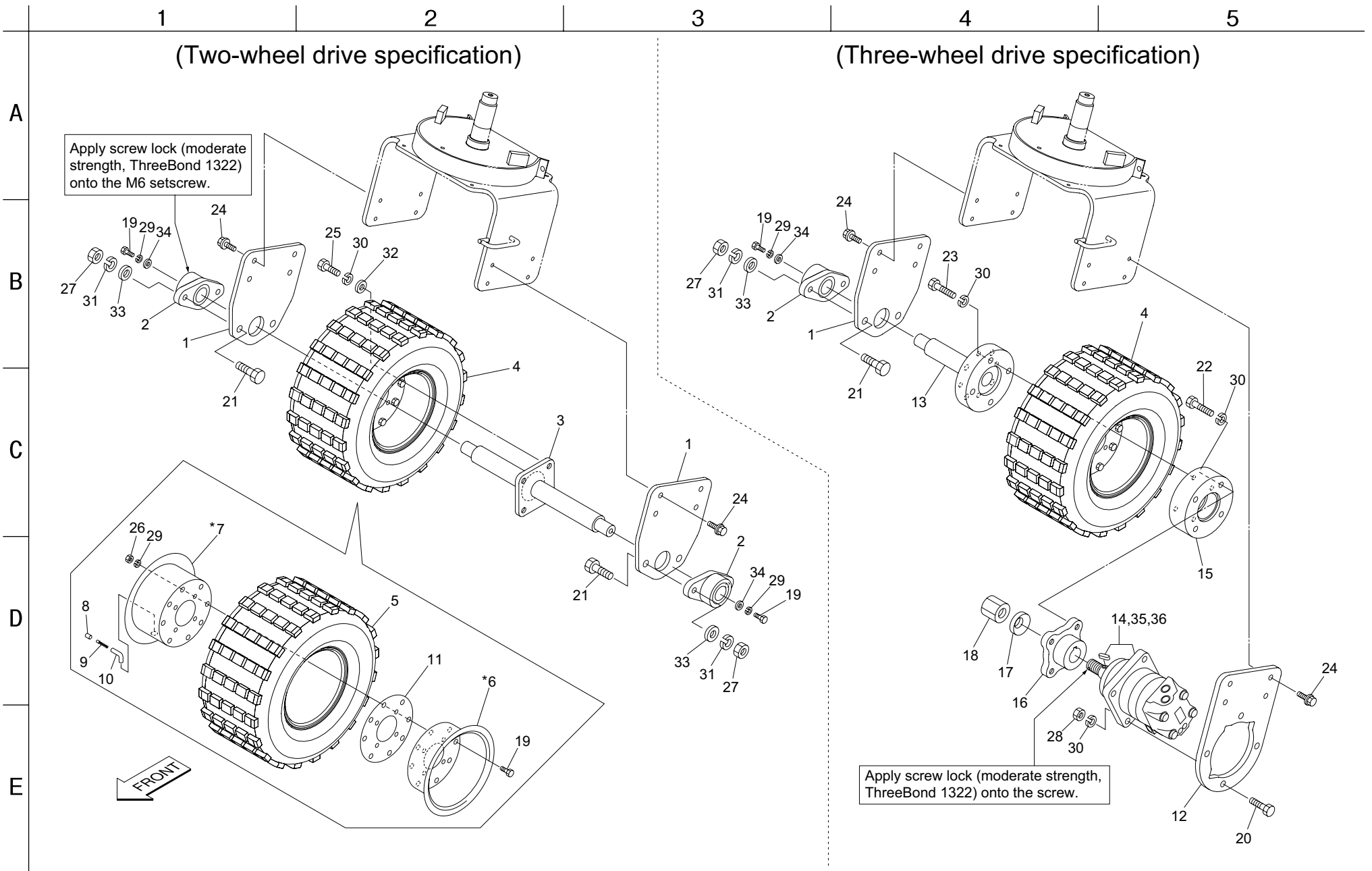
Cat No.	Code No.	Part name	Qty	Remarks
2 - 36	K0006080202	8 Bolt 20S	4	
2 - 37				
2 - 38	K0100080002	8 Nut	2	
2 - 39	K0100100002	10 Nut	6	
2 - 40	K0200100002	10S Washer	1	
2 - 41	K0200120002	12S Washer	1	
2 - 42	K0212120001	12 Disc Spring Washer 1L	1	
2 - 43	K5073212352	3.2 SPHC Washer 1235	1	
2 - 44	K5000120002	12 Washer	1	
2 - 45	K0000100252	10 Bolt 25	2	
2 - 46	K5000100002	10 Washer	2	

2. Steering section

SP05

3. Front wheel section

SP05



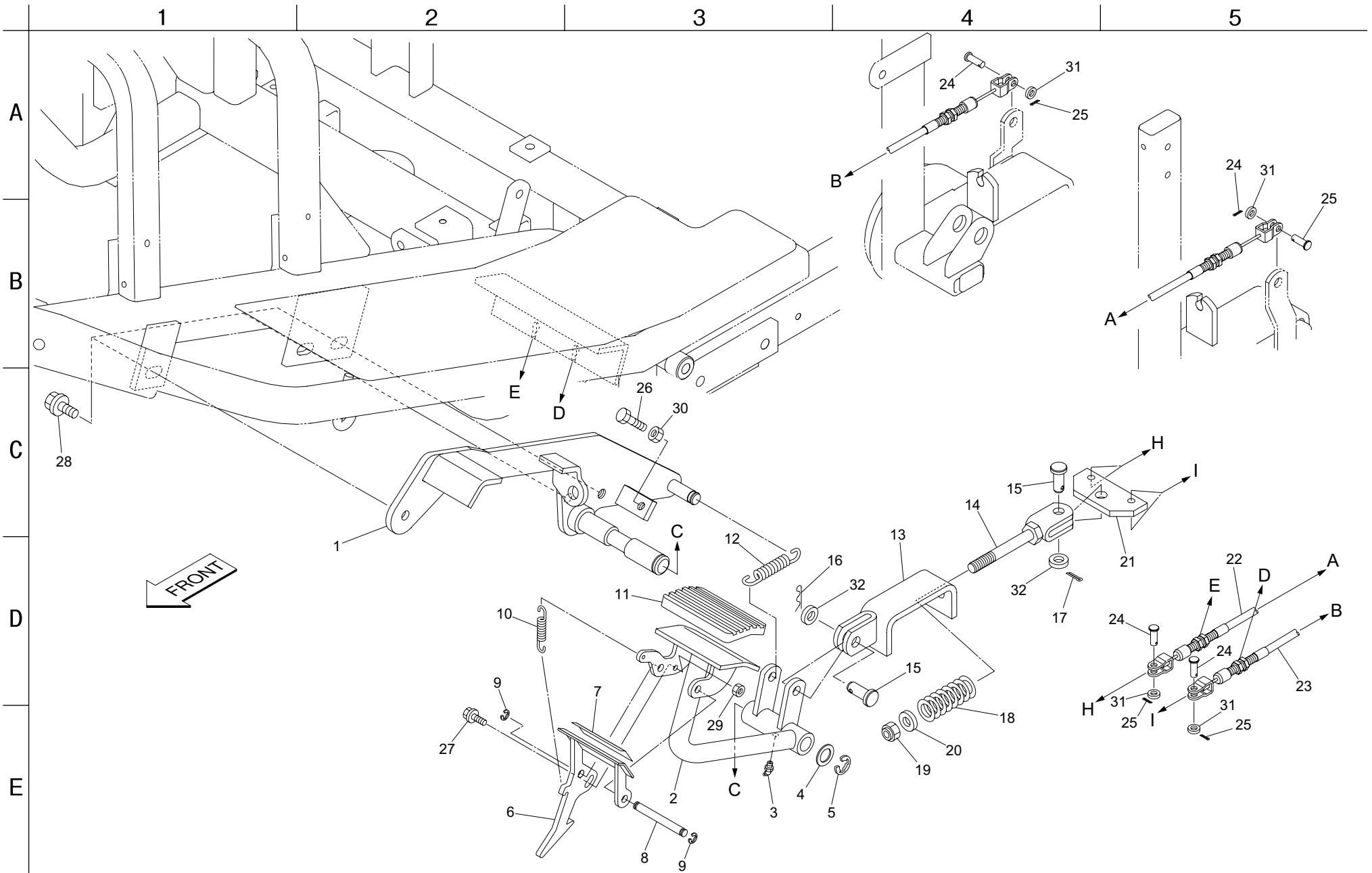
Cat No.	Code No.	Part name	Qty		Remarks
			2WD	3WD	
3 - 1	SP05---0210ZD	Front Wheel Bracket	2	1	
3 - 2	K0661205000	Rhombic Flange Unit UCFL205	2	1	
3 - 3	SP05---0211ZD	Axis Arm	1		
3 - 4	K2000000190	Tire 21*11.00-10 Ass'y	1	1	
3 - 5	K2001000090	Tire 21*11.00-10PD2	1		
* 3 - 6	K209000018L	Wheel 850SP-10	1	1	Order unit = * set
* 3 - 7	K209000019L	Wheel 850SP-10 w/ Valve	1	1	Order unit = * set
3 - 8	K2093000010	Valve Cap	1	1	
3 - 9	K2092000020	Valve Core No.9000	1	1	
3 - 10	K2097000040	Rim Valve PVR70	1	1	
3 - 11	K2095000020	Packing F-10P-E	1	1	
3 - 12	SP05---0250ZD	Motor Bracket		1	
3 - 13	SP05---0251ZD	Knuckle Spindle		1	
3 - 14	K3291000210	Wheel Motor 2-100BS4S		1	
3 - 15	SP05---0252ZD	Motor Mounting Eye		1	
3 - 16	K216000009D	Wheel Mounting Eye 21*11.00		1	
3 - 17	K0214240001	24 Disc Spring Washer 2L		1	
3 - 18	K0160000492	24 Special Nut P1.5		1	
3 - 19	K0000080152	8 Bolt 15	10	9	
3 - 20	K0000120452	12 Bolt 45		4	
3 - 21	K0000140402	14 Bolt 40	4	2	
3 - 22	K0014120502	12 Heat-Treated Bolt 50P1.5		4	
3 - 23	K0014120602	12 Heat-Treated Bolt 60P1.5		4	
3 - 24	K0006100202	10 Bolt 20S	8	8	
3 - 25	K0034120302	12 H-Treated 8T Bolt 30P1.5	4		
3 - 26	K0100080002	8 Nut	8	8	
3 - 27	K0100140002	14 Nut	4	2	
3 - 28	K0100120002	12 Nut		4	
3 - 29	K0200080002	8S Washer	10	9	
3 - 30	K0200120002	12S Washer	4	12	
3 - 31	K0200140002	14S Washer	4	2	
3 - 32	K5000120002	12 Washer	4		
3 - 33	K5000140002	14 Washer	4	2	
3 - 34	K5073208352	3.2 SPHC Washer 835	2	1	
3 - 35	Y61090S	2000 Orbit Motor Seal Kit (Rear)		1	

Cat No.	Code No.	Part name	Qty		Remarks
			2WD	3WD	
3 - 36	Y61091S	2000 Orbit Motor Seal Kit (Shaft)		1	

3. Front wheel section	SP05
------------------------	------

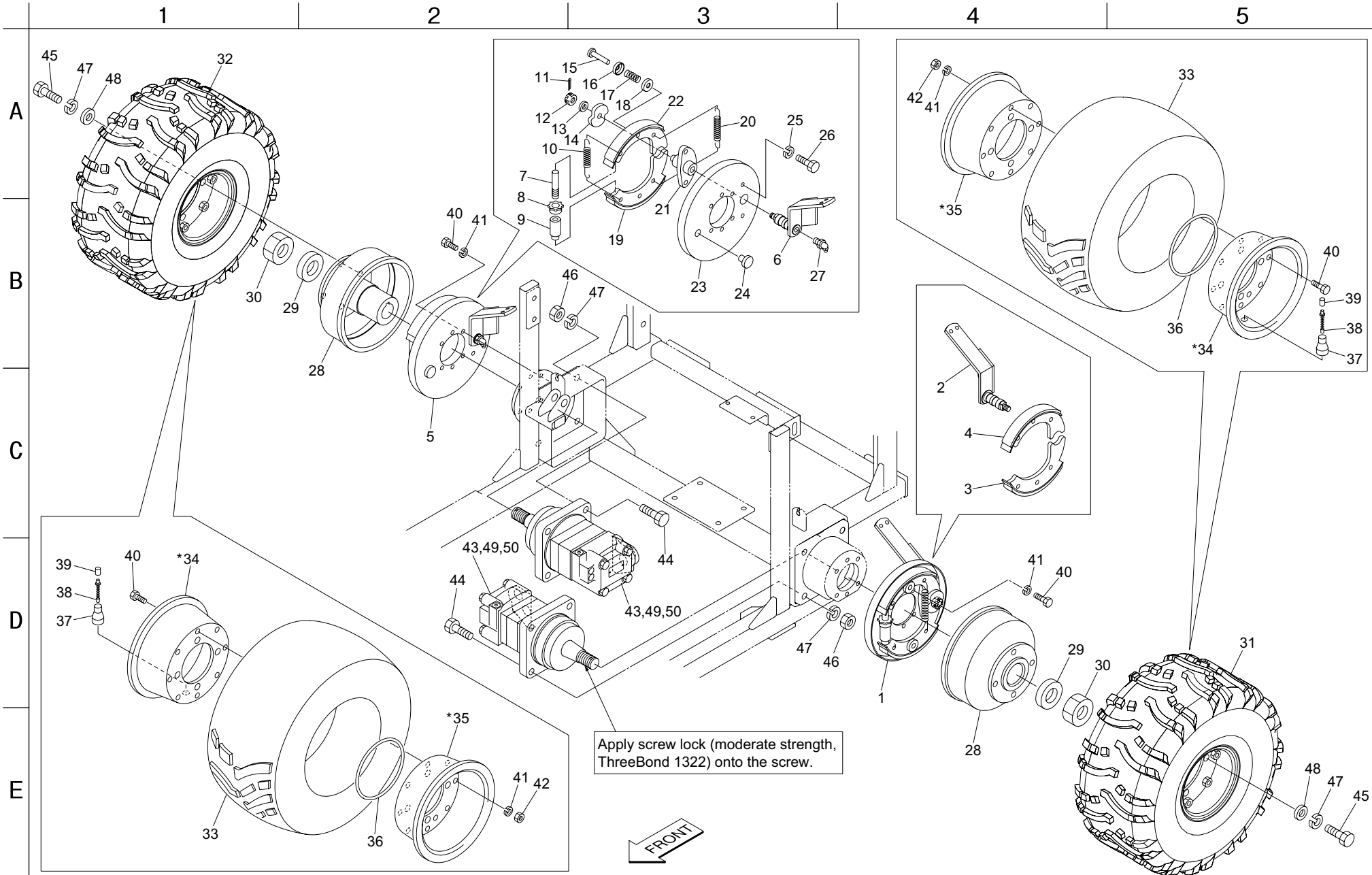
4. Brake pedal section

SP05



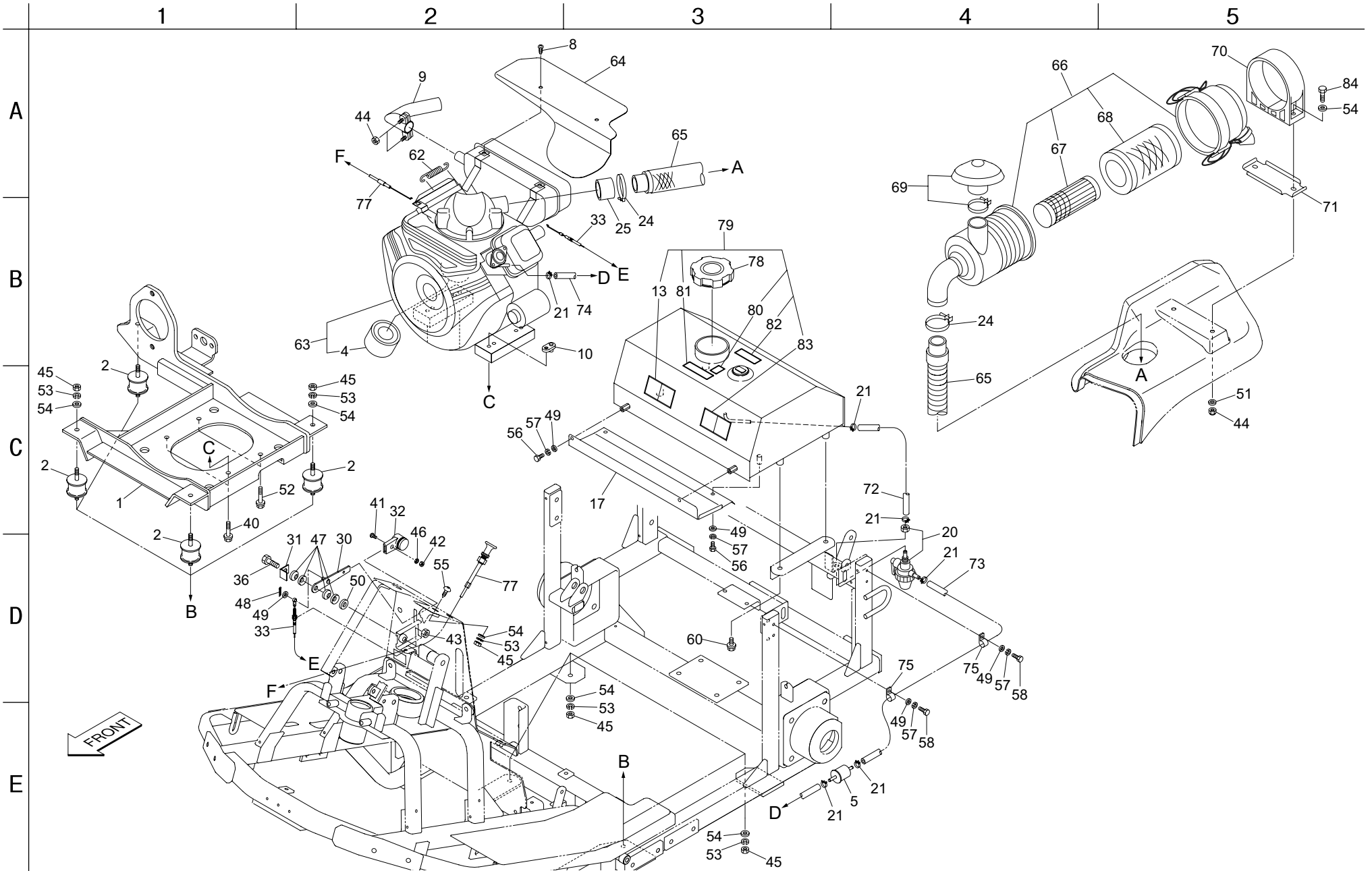
5. Rear wheel section

SP05



6. Engine section

SP05



Cat No.	Code No.	Part name	Qty	Remarks
6 - 1	SP05---0301ZD	Engine Base	1	
6 - 2	K4040000130	Anti-Vibration Rubber EA4006	4	
6 - 4	PL492932S	Oil Filter	1	
6 - 5	PL691035	Fuel Filter	1	
6 - 8	K0069000112	6+ Truss Tap Screw 12 (Type 3)	2	
6 - 9	SP05---0311AU	Muffler Pipe	1	
6 - 10	SP05---0309Z2	Engine Mounting Eye	4	
6 - 13	K4205001530	Caution Label-Rotating Parts	1	
6 - 17	SP05---0316Z0	Heat Insulating Board	1	
6 - 20	K3420000060	Fuel Cock 22	1	
6 - 21	K4260000150	Hose Clamp 12	6	
6 - 24	K4261032000	Parker Clamp 40-64	2	
6 - 25	SP05---0312Z0	Spacer Rubber	1	
6 - 30	SP05---0340ZD	Throttle Lever	1	
6 - 31	SP05---0341Z2	Support Plate	1	
6 - 32	K1301000150	Throttle Lever Grip	1	
6 - 33	K1110143000	Throttle Wire 1430	1	
6 - 35				
6 - 36	K0000100352	10 Bolt 35	1	
6 - 40	K0007080402	8 Bolt 40SW	2	
6 - 41	K0042050082	5+ R-Head Small Screw 8	1	
6 - 42	K0100050002	5 Nut	1	
6 - 43	K0100100002	10 Nut	1	
6 - 44	K0144080002	8U Nut	4	
6 - 45	K0100080002	8 Nut	9	
6 - 46	K0200050002	5S Washer	1	
6 - 47	K0212100001	10 Disc Spring Washer 1L	4	
6 - 48	K0300016122	1.6 Split Pin 12	1	
6 - 49	K5000060002	6 Washer	7	
6 - 50	K5000100002	10 Washer	1	
6 - 51	K5012308352	2.3 SPCC Washer 835	2	
6 - 52	K0007080452	8 Bolt 45SW	2	
6 - 53	K0200080002	8S Washer	9	
6 - 54	K5000080002	8 Washer	11	
6 - 55	K0045080202	8+ Truss Small Screw 20	1	

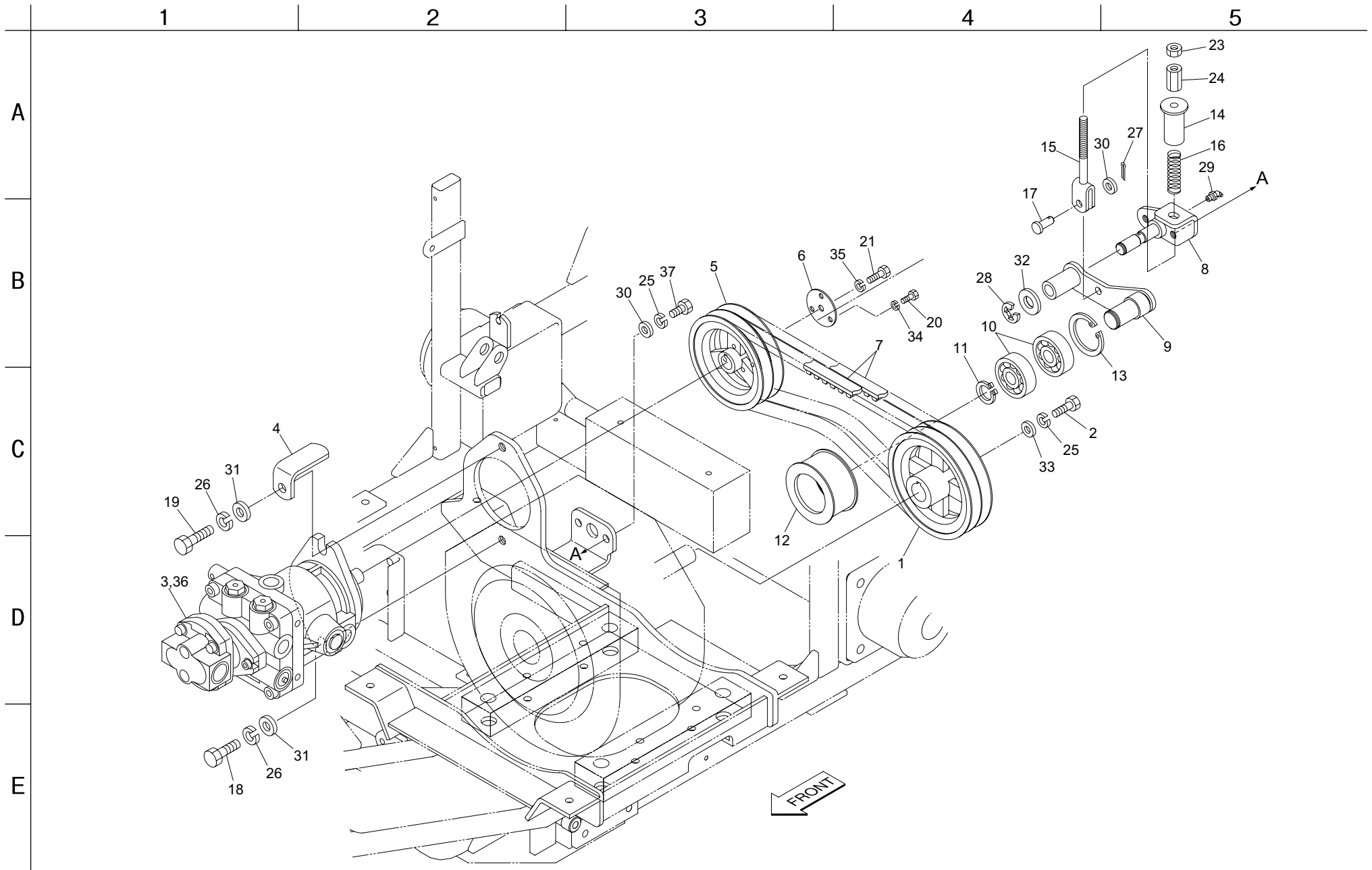
Cat No.	Code No.	Part name	Qty	Remarks
6 - 56	K0000060102	6 Bolt 10	4	
6 - 57	K0200060002	6S Washer	6	
6 - 58	K0000060152	6 Bolt 15	2	
6 - 59				
6 - 60	K0007080202	8 Bolt 20SW	4	
6 - 62	K1020000208	1.6 R-Hook Spring 16.665.2	1	
6 - 63	K2680000220	Vanguard Engine 356447	1	
6 - 64	SP05---2301Z0	Muffler Cover	1	
6 - 65	SP05---2302Z0	Cleaner Hose 420 COMP	1	
6 - 66	PL809670	Air Cleaner	1	
6 - 67	PL821136	Air Filter Cartridge	1	
6 - 68	PL841497	Air Filter Cartridge	1	
6 - 69	PL809907	Rain Cap	1	
6 - 70	PL809878	Air Cleaner Clamp	1	
6 - 71	PL841886	Air Cleaner Bracket	1	
6 - 72	SP05---2305Z0	6.4 Low Palm Hose 330	1	
6 - 73	SP05---2306Z0	6.4 Low Palm Hose 565	1	
6 - 74	SP05---2304Z0	6.4 Low Palm Hose 230	1	
6 - 75	K4270015060	15 Harness Clip M6	2	
6 - 62	K1020000208	1.6 R-Hook Spring 16.665.2	1	
6 - 77	K1100178510	Chalk Wire 1785	1	
6 - 78	K1410000080	Fuel Tank Cap	1	
6 - 79	SP05---2307Z0	Fuel Tank COMP	1	
6 - 80	K4209001310	Lead-Free Gasoline Label	1	
6 - 81	K4205001800	"Fire Hazard" Label	1	
6 - 82	K4205001810	"Exhaust Gas Hazard" Label	1	
6 - 83	K4205001540	"Hot Surface Hazard" Label	1	
6 - 84	K0000080352	8 Bolt 35	2	

6. Engine section

SP05

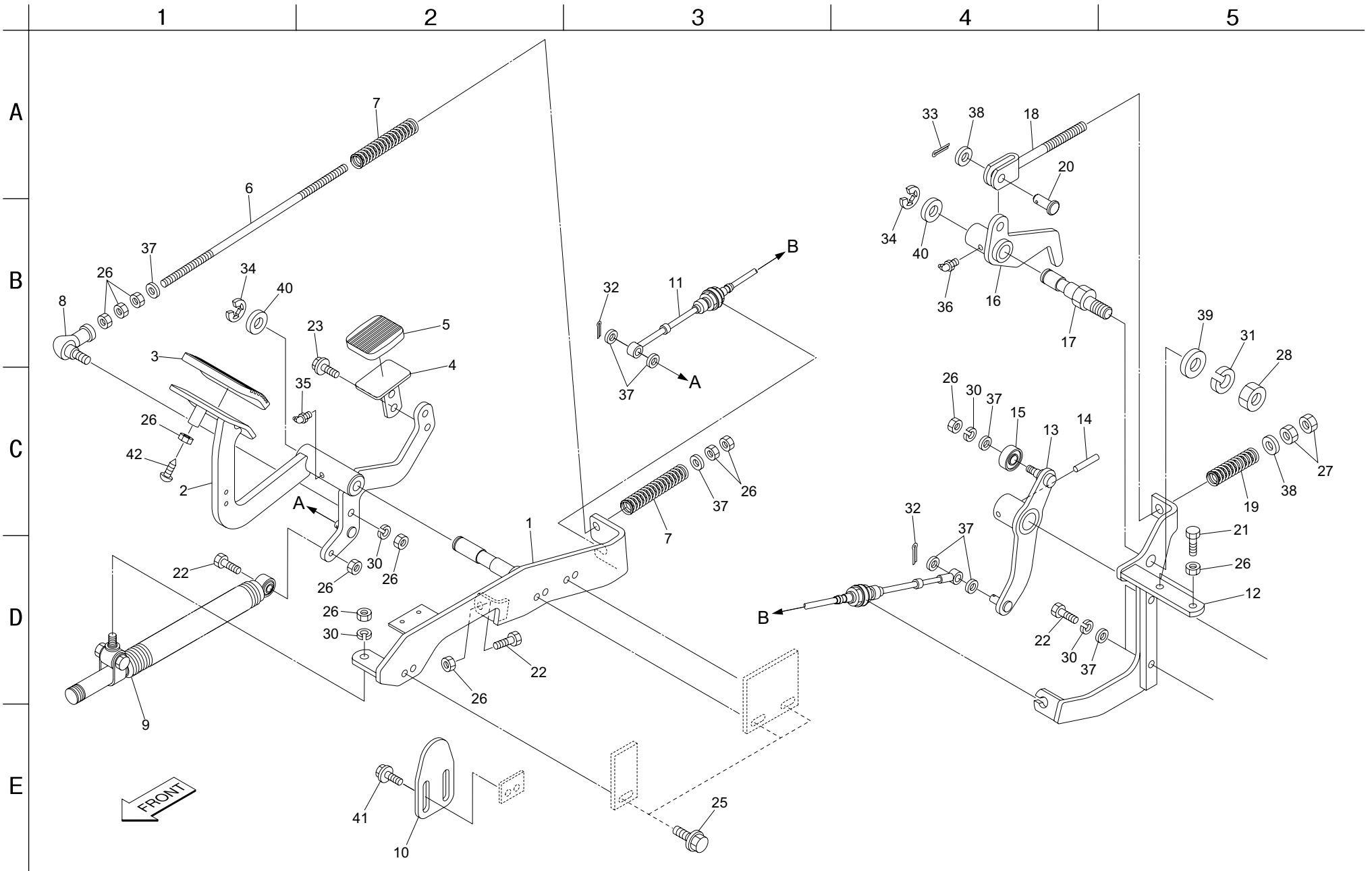
7. Belt tension section

SP05



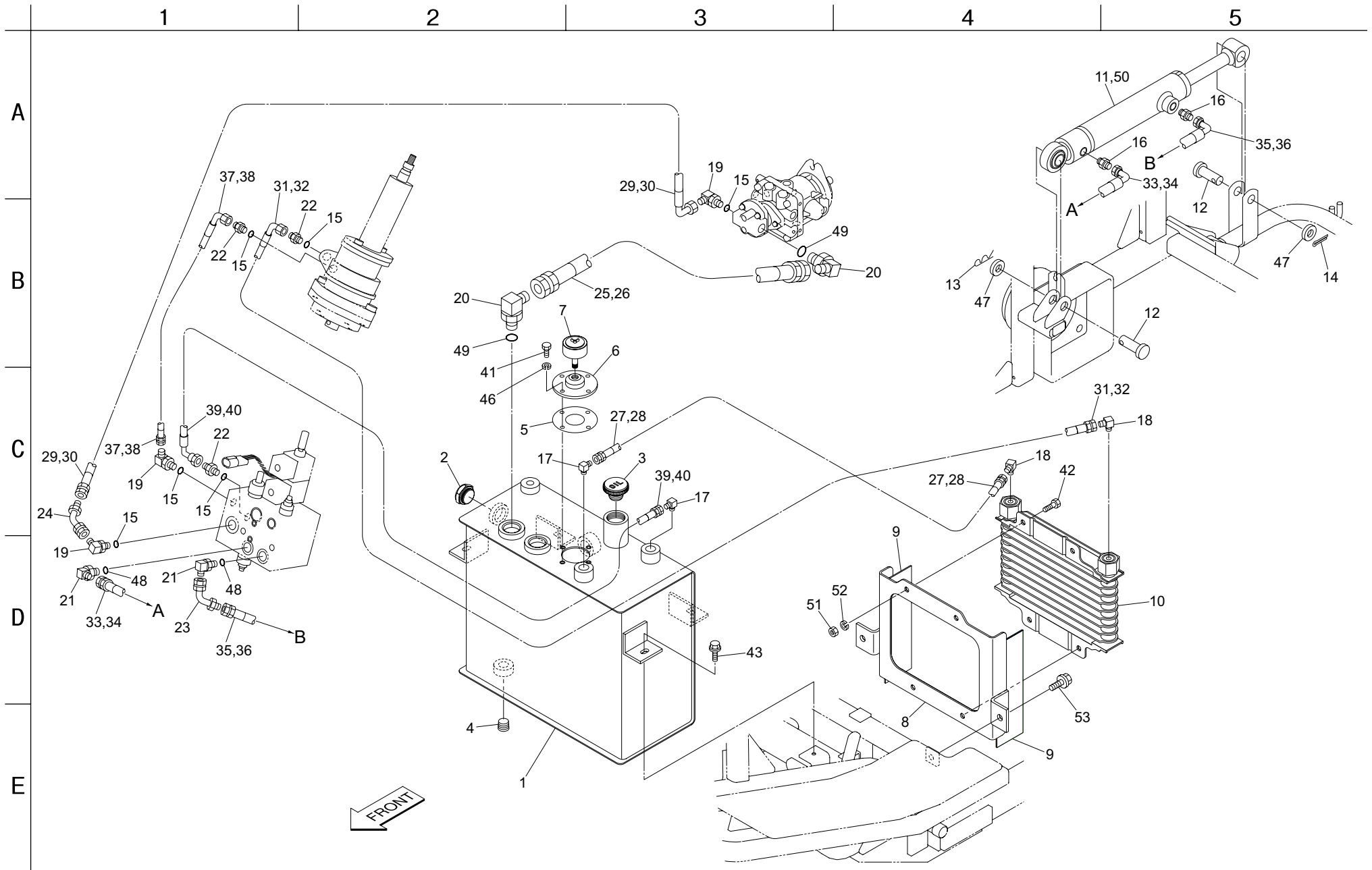
8. Traveling connection section

SP05



9. Hydraulic section (rake raise/lower, power steering)

SP05



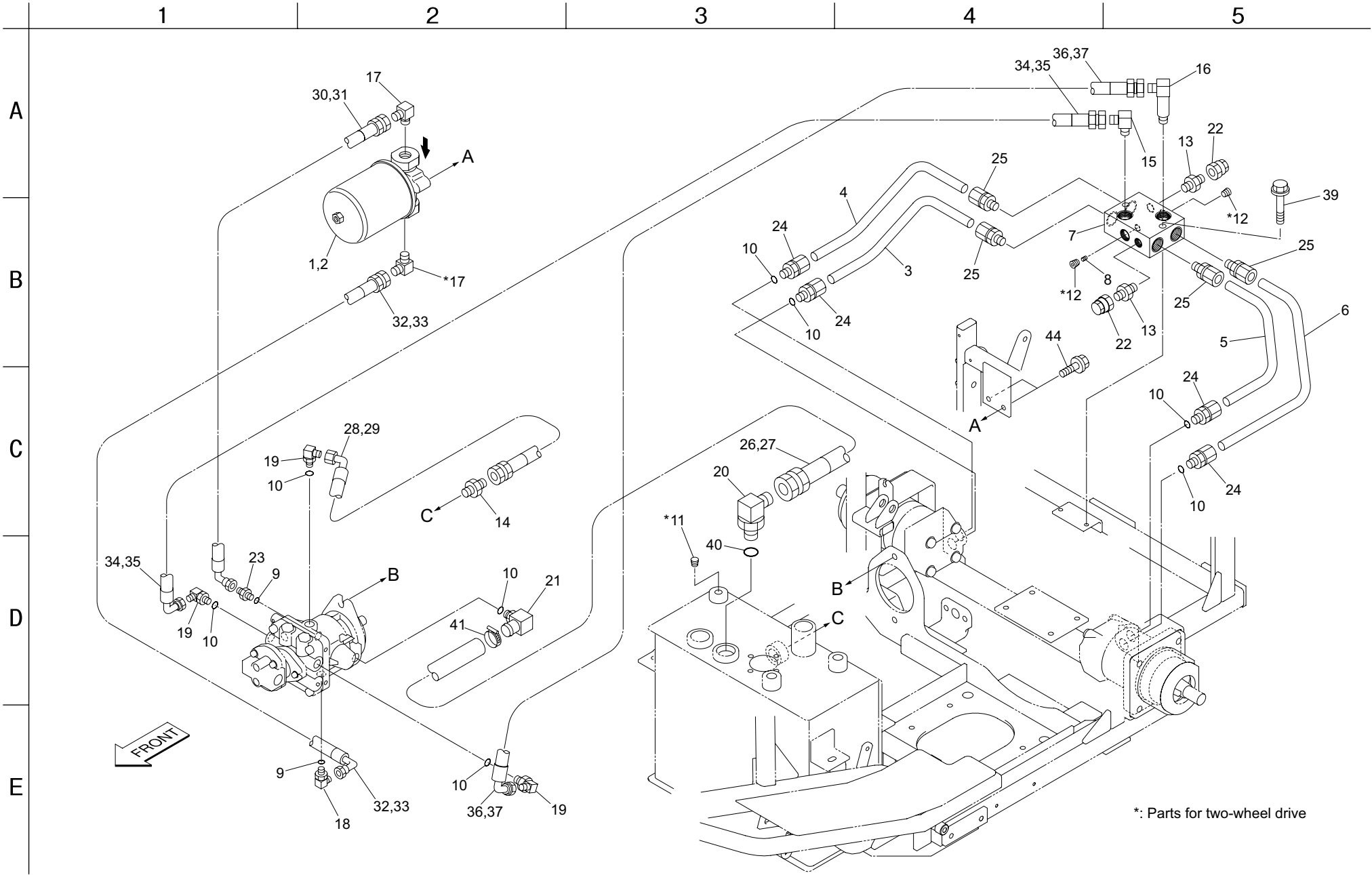
Cat No.	Code No.	Part name	Qty	Remarks
9 - 1	SP05---0401ZD-Y	Hydraulic Tank	1	
9 - 2	K1400000044-Y	PF3/4 Oil Cap M	1	
9 - 3	K1310000140	Oil Cap KRM-A4	1	
9 - 4	K1422106001-Y	Hex. Sckt. Tap. Plug 3/8 Type 1	1	
9 - 5	K4011000330	0.8 Oil Seat 4575	1	
9 - 6	SP05---0402Z2-Y	Breather Mounting Eye	1	
9 - 7	K1430000030	Air Breather AP-02	1	
9 - 8	SP05---0410ZD	Oil Cooler Bracket	1	
9 - 9	K4033000510	2 Rubber Plate 60200	2	
9 - 10	K3430000040	Oil Cooler	1	
9 - 11	K321300004D	30-125 Cylinder 310	1	
9 - 12	K6031160402	16 Hardened Flat Head Pin 40	2	
9 - 13	K0331600008	16 Snap Pin	1	
9 - 14	K0300032252	3.2 Split Pin 25	1	
9 - 15	K0881014000	O-Ring P14B	6	
9 - 16	K3000060002-Y	Adapter 1013-6	2	
9 - 17	K3001090002-Y	90 Elbow 1033-9	2	
9 - 18	K3006000022-Y	Diff. Dmtr. Elbow PT1/2PF3/8	2	
9 - 19	K3008000032-Y	90 Adjuster Elbow 1086-9	3	
9 - 20	K3008000052-Y	90 Adjuster Elbow 1086-19	2	
9 - 21	K3008000442-Y	90 Adjuster Elbow 1086-6	2	
9 - 22	K3009000142-Y	Special Adapter PF3/8PF3/8	3	
9 - 23	K3025064042-Y	Pipe Adapter 06-04	1	
9 - 24	K3025064062-Y	Pipe Adapter 064-06	1	
9 - 25	K3100610390	WP35-19 Hose 1-390	1	
9 - 26	K3192001900	SP-20 Coil Tube 190	1	
9 - 27	K3101310190	WP70-9 Hose 1-190	1	
9 - 28	K3191000400	SP-15 Coil Tube 40	1	
9 - 29	K3101331030	WP70-9 Hose 3-1030	1	
9 - 30	K3191008800	SP-15 Coil Tube 880	1	
9 - 31	K3101331290	WP70-9 Hose 3-1290	1	
9 - 32	K3191011400	SP-15 Coil Tube 1140	1	
9 - 33	K3102231530	WP105-6 Hose 3-1530	1	
9 - 34	K3190013800	SP-12 Coil Tube 1380	1	
9 - 35	K3102231600	WP105-6 Hose 3-1600	1	

Cat No.	Code No.	Part name	Qty	Remarks
9 - 36	K3190014700	SP-12 Coil Tube 1470	1	
9 - 37	K3102330320	WP105-9 Hose 3-320	1	
9 - 38	K3191001700	SP-15 Coil Tube 170	1	
9 - 39	K3102331050	WP105-9 Hose 3-1050	1	
9 - 40	K3191009000	SP-15 Coil Tube 900	1	
9 - 41	K0000060152	6 Bolt 15	4	
9 - 42	K0000080152	8 Bolt 15	4	
9 - 43	K0007080152	8 Bolt 15SW	4	
9 - 44				
9 - 45				
9 - 46	K0200060002	6S Washer	4	
9 - 47	K5000160002	16 Washer	2	
9 - 48	K0881011000	O-Ring P11B	2	
9 - 49	K0881024000	O-Ring P24B	2	
9 - 50	YIS-30B-SK	Cylinder Seal Kit	1	
9 - 51	K0100080002	8 Nut	4	
9 - 52	K0200080002	8S Washer	4	
9 - 53	K0006100152	10 Bolt 15S	2	

9. Hydraulic section (rake raise/lower, power steering)	SP05
---	------

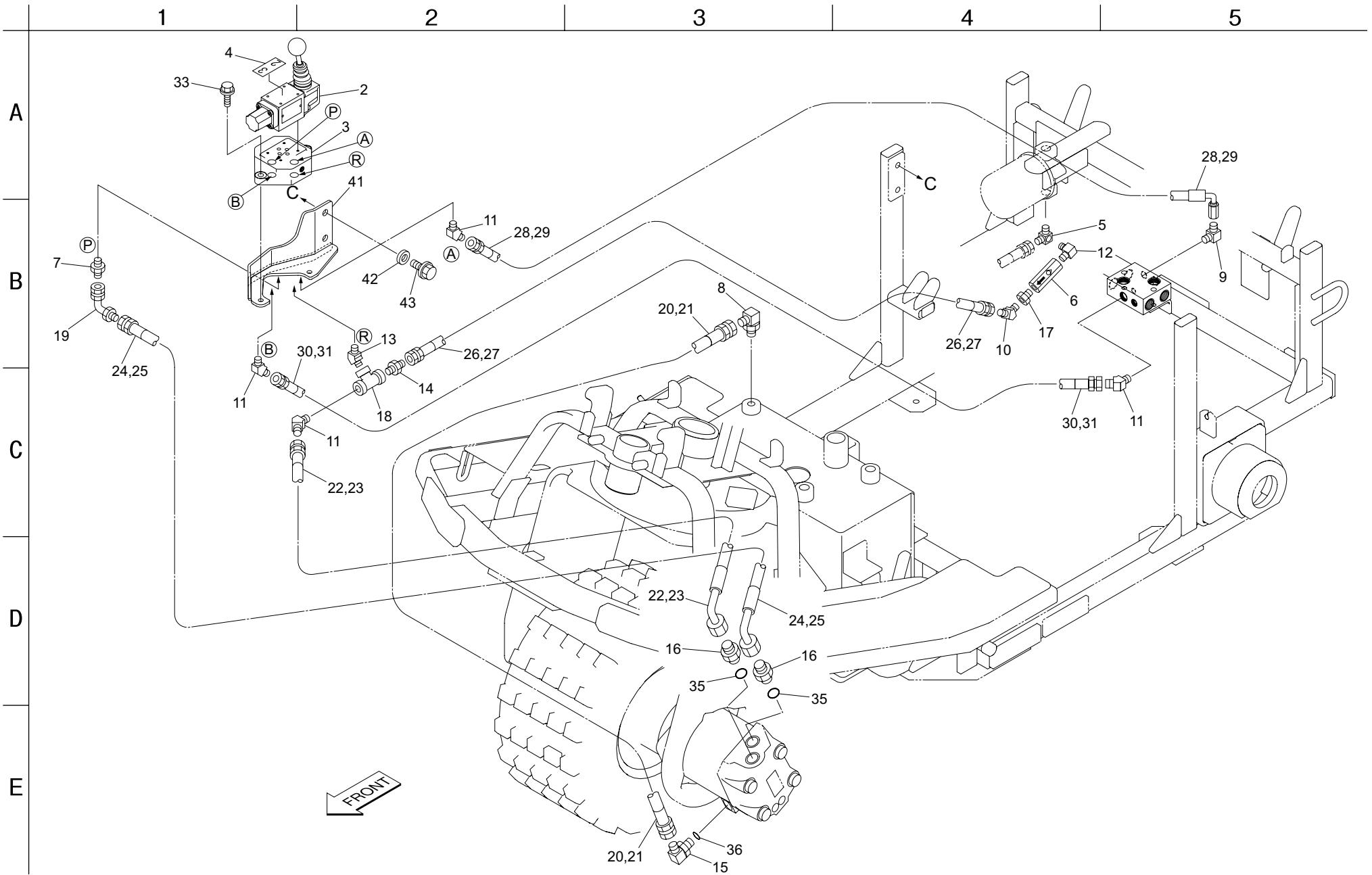
10. Traveling hydraulic section

SP05



11. Traveling hydraulic section (for three-wheel drive)

SP05



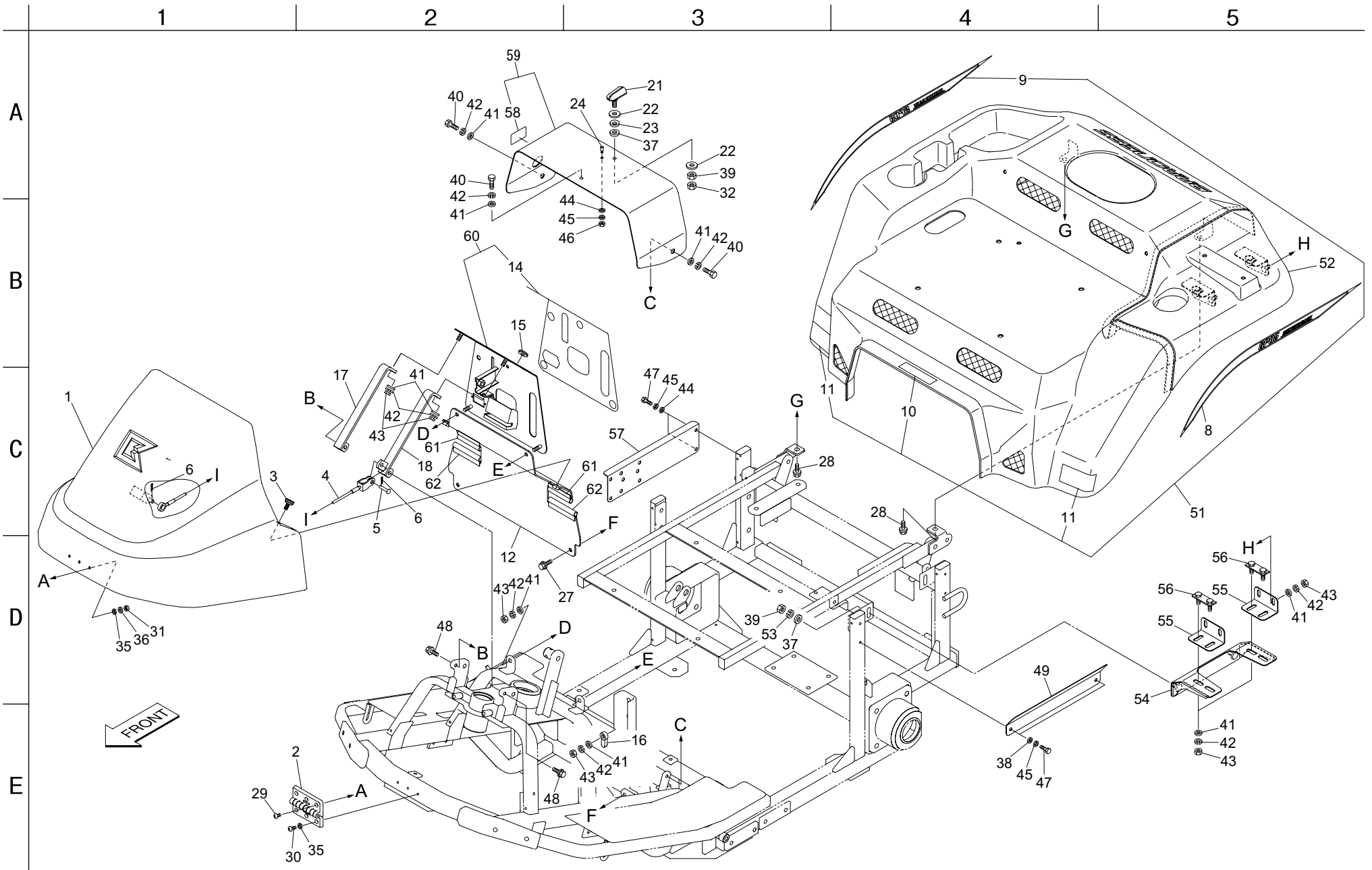
Cat No.	Code No.	Part name	Qty	Remarks
11 - 1				
11 - 2	K3302000020	Manual Switch Valve HD-02376	1	
11 - 3	K3314000050	Sub Plate SHD025-03T3A	1	
11 - 4	K4203001380	2WD-3WD Shift Lever Mark	1	
11 - 5	SP05---0413Z2-Y	Branch Elbow	1	
11 - 6	K3341000010	In-L. Check Valve HK3-ET1-03A	1	
11 - 7	K3000090002-Y	Adapter 1013-9	1	
11 - 8	K3001060002-Y	90 Elbow 1033-6	1	
11 - 9	K3001090002-Y	90 Elbow 1033-9	1	
11 - 10	K3003060002-Y	45 Elbow 1035-6	1	
11 - 11	K3003090002-Y	45 Elbow 1035-9	4	
11 - 12	K3006000032-Y	Diff. Dmtr. Elbow PT1/4PT3/8	1	
11 - 13	K3006000142-Y	45D Male/Male Elbow PT3/8	1	
11 - 14	K3007000062-Y	Diff. Dmtr. Adapter PT3/8PF1/4	1	
11 - 15	K3008000442-Y	90 Adjuster Elbow 1086-6	1	
11 - 16	K3009000022-Y	Special Adapter PF1/2PF3/8	2	
11 - 17	K3020060401-Y	Bushing BUT3/8*1/4	1	
11 - 18	K3021060002-Y	T-Screwed Joint TEFPT3/8	1	
11 - 19	K3025069062-Y	Pipe Adapter 069-06	1	
11 - 20	K3101211320	WP70-6 Hose 1-1320	1	
11 - 21	K3190011700	SP-12 Coil Tube 1170	1	
11 - 22	K3103321580	WP140-9 Hose 2-1580	1	
11 - 23	K3191014300	SP-15 Coil Tube 1430	1	
11 - 24	K3103321610	WP140-9 Hose 2-1610	1	
11 - 25	K3191014600	SP-15 Coil Tube 1460	1	
11 - 26	K3101210220	WP70-6 Hose 1-220	1	
11 - 27	K3190000700	SP-12 Coil Tube 70	1	
11 - 28	K3103330530	WP140-9 Hose 3-530	1	
11 - 29	K3191003800	SP-15 Coil Tube 380	1	
11 - 30	K3103310480	WP140-9 Hose 1-480	1	
11 - 31	K3191003300	SP-15 Coil Tube 330	1	
11 - 32				
11 - 33	K0021080202	8 Bolt w/ Flange 20	2	
11 - 34				
11 - 35	K0881018000	O-Ring P18B	2	

Cat No.	Code No.	Part name	Qty	Remarks
11 - 36	K0881011000	O-Ring P11B	1	
11 - 37				
11 - 38				
11 - 39				
11 - 40				
11 - 41	SP05---0421ZD	Switching Valve Mount	1	
11 - 42	K0200100002	10S Washer	2	
11 - 43	K0006100202	10 Bolt 20S	2	

11. Traveling hydraulic section (for three-wheel drive)	SP05
---	------

12. Cover section

SP05



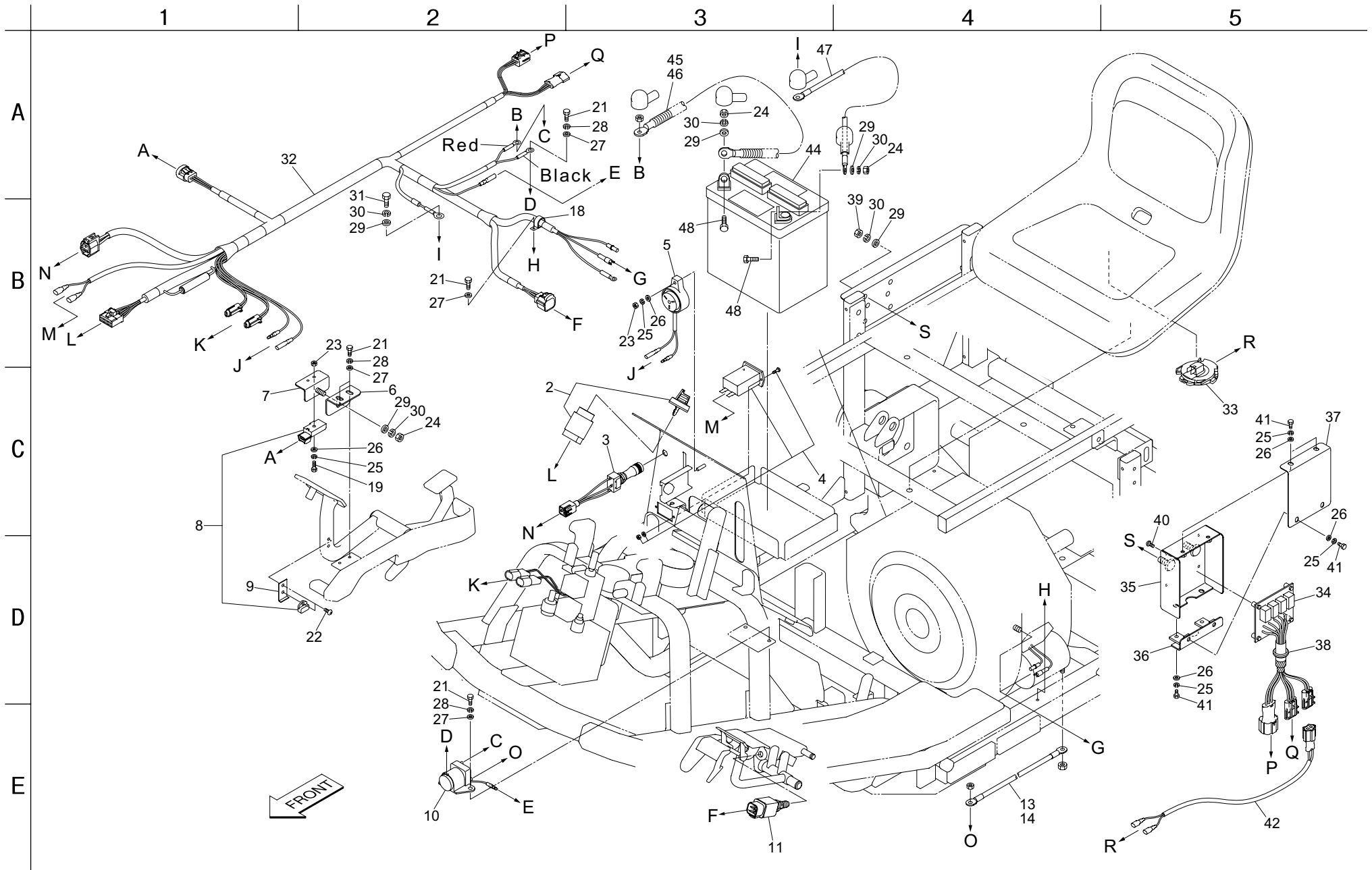
Cat No.	Code No.	Part name	Qty	Remarks
12 - 1	SP05---0501Z0	F Cover COMP	1	
12 - 2	K4520000260	5.2 Hole Resin Hinge 100 Black	1	
12 - 3	K1320000250	M8 Dimple Knob 16	2	
12 - 4	K1170037000	Cable 370	1	
12 - 5	K6040060282	6 Round Head Pin 28	1	
12 - 6	K0300020162	2 Split Pin 16	2	
12 - 7				
12 - 8	SP05---0513Z0	SP05 Sticker (Left)	1	
12 - 9	SP05---0514Z0	SP05 Sticker (Right)	1	
12 - 10	SP05---0515Z0	Abrasion-Proof Tape	1	
12 - 11	K4205001580	Caution Label - Hand Crush	2	
12 - 12	SP05---0521ZR	F Tire Cover	1	
12 - 13				
12 - 14	SP05---0560B0	Operation Label	1	
12 - 15	K0900300120	Grommet w/ Film C30SG12A	1	
12 - 16	K4281000030	10.5 Harness Clamp 50	1	
12 - 17	SP05---0535ZD	Panel Stay (Right)	1	
12 - 18	SP05---0536ZD	Panel Stay (Left)	1	
12 - 19				
12 - 20				
12 - 21	SP05---0542ZR	Cover Fastener	1	
12 - 22	K5051010220	1C5191P Washer 1022	2	
12 - 23	K0210100002	10 Disc Spring L	1	
12 - 24	K0071001122	8 Pin M6 Bolt 16	1	
12 - 25				
12 - 26				
12 - 27	K0021080102	8 Bolt w/ Flange 10 (Type 1)	2	
12 - 28	K0021080152	8 Bolt w/ Flange 15	2	
12 - 29	K0042050102	5+ R-Head Small Screw 10	3	
12 - 30	K0042050152	5+ R-Head Small Screw 15	3	
12 - 31	K0100050002	5 Nut	3	
12 - 32	K0102100002	10 Nut 3	1	
12 - 33				
12 - 34				
12 - 35	K0200050002	5S Washer	6	

Cat No.	Code No.	Part name	Qty	Remarks
12 - 36	K5000050002	5 Washer	3	
12 - 37	K5000100002	10 Washer	3	
12 - 38	K5011606202	1.6 SPCC Washer 620	2	
12 - 39	K0100100002	10 Nut	3	
12 - 40	K0000080152	8 Bolt 15	3	
12 - 41	K5000080002	8 Washer	15	
12 - 42	K0200080002	8S Washer	15	
12 - 43	K0100080002	8 Nut	12	
12 - 44	K5000060002	6 Washer	5	
12 - 45	K0200060002	6S Washer	7	
12 - 46	K0100060002	6 Nut	1	
12 - 47	K0000060152	6 Bolt 15	6	
12 - 48	K0007080202	8 Bolt 20SW	2	
12 - 49	SP05---0561ZD	Sand Splashboard	1	
12 - 50				
12 - 51	SP05---2503Z0	R Cover Ass'y	1	
12 - 52	SP05---2505Z0	R Side Cover COMP	1	
12 - 53	K0200100002	10S Washer	2	
12 - 54	SP05---2508ZD	Cover Mounting Bracket	1	
12 - 55	SP05---2509ZD	Adjustment Bracket	2	
12 - 56	SP05---2510Z2	Mounting Bracket	2	
12 - 57	SP05---2604ZD	Substrate Mounting Plate	1	
12 - 58	K4209000980	Hydraulic Oil Mark	1	
12 - 59	SP05---0540A0	Hydraulic Tank Cover COMP	1	
12 - 60	SP05---2530Z0	Operation Panel COMP	1	
12 - 61	K3198300800	Trim Seal Black 6100-32C-0080	2	
12 - 62	K3198300900	Trim Seal Black 6100-32C-0090	2	

12. Cover section	SP05
-------------------	------

13. Electrical section

SP05



Cat No.	Code No.	Part name	Qty	Remarks
13 - 1				
13 - 2	K3660000050	Main Switch	1	
13 - 3	K3662000160	Auto Return Switch	1	
13 - 4	K3650000040	Mini Hour Meter	1	
13 - 5	K3700000010	Buzzer Type EBM-12	1	
13 - 6	SP05---0603ZD	Sensor Adjustment Plate	1	
13 - 7	SP05---0602ZD	Sensor Mounting Bracket	1	
13 - 8	K3720000140	Proximity Switch NC	1	
13 - 9	SP05---0605Z2	Magnet Mounting Plate	1	
13 - 10	K3681000050	Magnetic Relay MS2	1	
13 - 11	K3671000160	Safety Switch 2 Circuit NO	1	
13 - 12				
13 - 13	K3610000500	Battery Positive Wire 1000	1	
13 - 14	K3194109400	10 Corrugated Tube 940	1	
13 - 15				
13 - 16				
13 - 17				
13 - 18	K4270022060	22 Harness Clip M6	1	
13 - 19	K0000050202	5 Bolt 20	1	
13 - 20				
13 - 21	K0000060152	6 Bolt 15	5	
13 - 22	K0048050102	5+ R-Head Small Screw 10S	2	
13 - 23	K0100050002	5 Nut	2	
13 - 24	K0100080002	8 Nut	3	
13 - 25	K0200050002	5S Washer	8	
13 - 26	K5000050002	5 Washer	8	
13 - 27	K5000060002	6 Washer	5	
13 - 28	K0200060002	6S Washer	4	
13 - 29	K5000080002	8 Washer	6	
13 - 30	K0200080002	8S Washer	6	
13 - 31	K0000080152	8 Bolt 15	1	
13 - 32	SP05---2607Z0	Main Harness	1	
13 - 33	K1701000140	Seat Switch NC C7247AS	1	
13 - 34	SP05---2605Z0	Safety Circuit Board Ass'y	1	
13 - 35	SP05---2601ZD	Substrate Case	1	

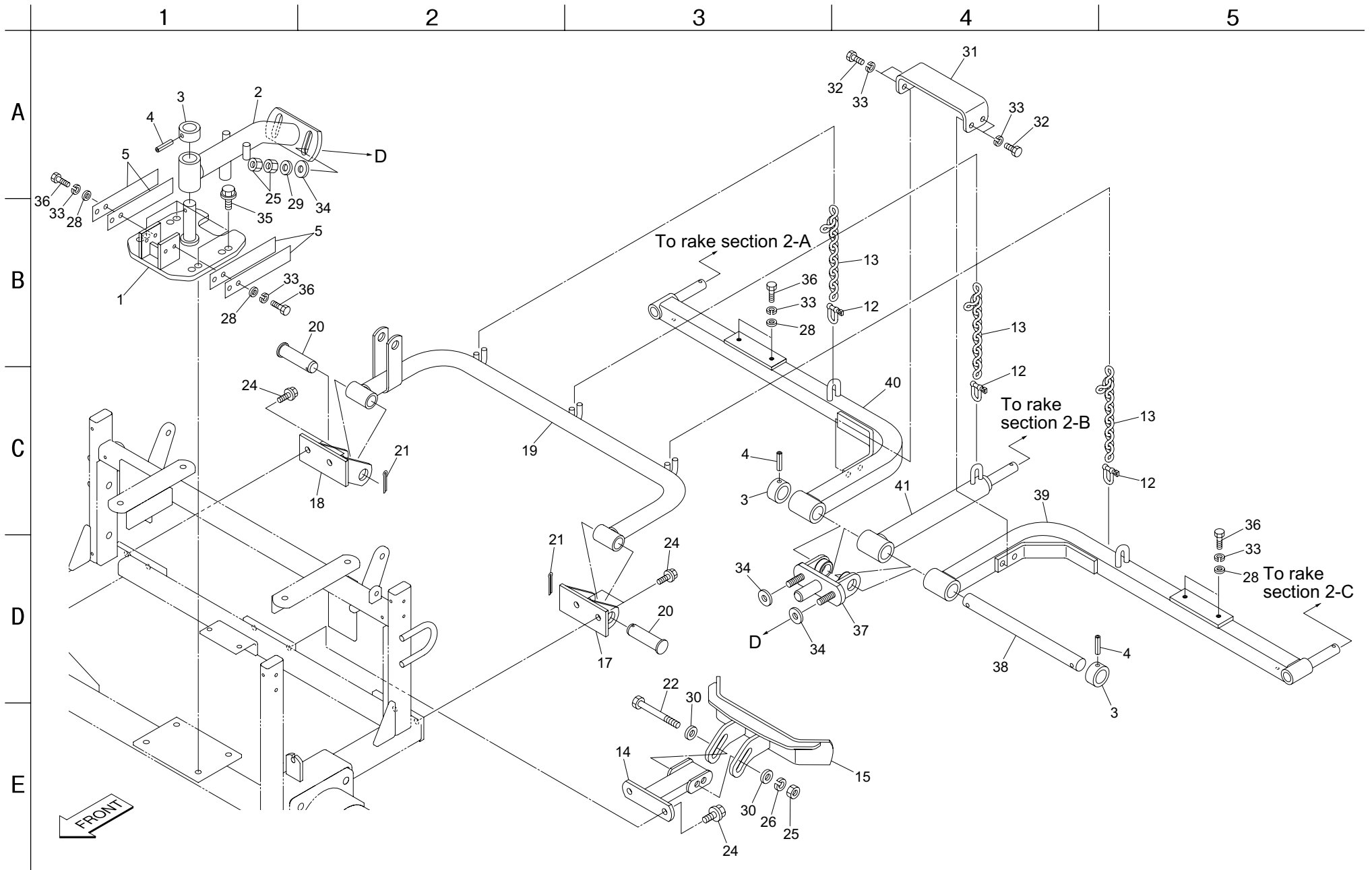
Cat No.	Code No.	Part name	Qty	Remarks
13 - 36	SP05---2602ZD	Case Cover A	1	
13 - 37	SP05---2603ZD	Case Cover B	1	
13 - 38	K0910000110	Grommet NG-79-J	1	
13 - 39	K0100080002	8 Nut	2	
13 - 40	K0044030082	3+ Round Small Screw 8SW	4	
13 - 41	K0000050102	5 Bolt 10	6	
13 - 42	SP05---2608Z0	Seat Switch Wiring	1	
13 - 43				
13 - 44	K3600000230	EXIDE Battery GT-X	1	
13 - 45	K3610000560	Battery Positive Wire 550	1	
13 - 46	K3194104700	10 Corrugated Tube 470	1	
13 - 47	K3611000440	Battery Ground Cord 300	1	
13 - 48	K0000080202	8 Bolt 20	2	
13 - 49				
13 - 50				

13. Electrical section

SP05

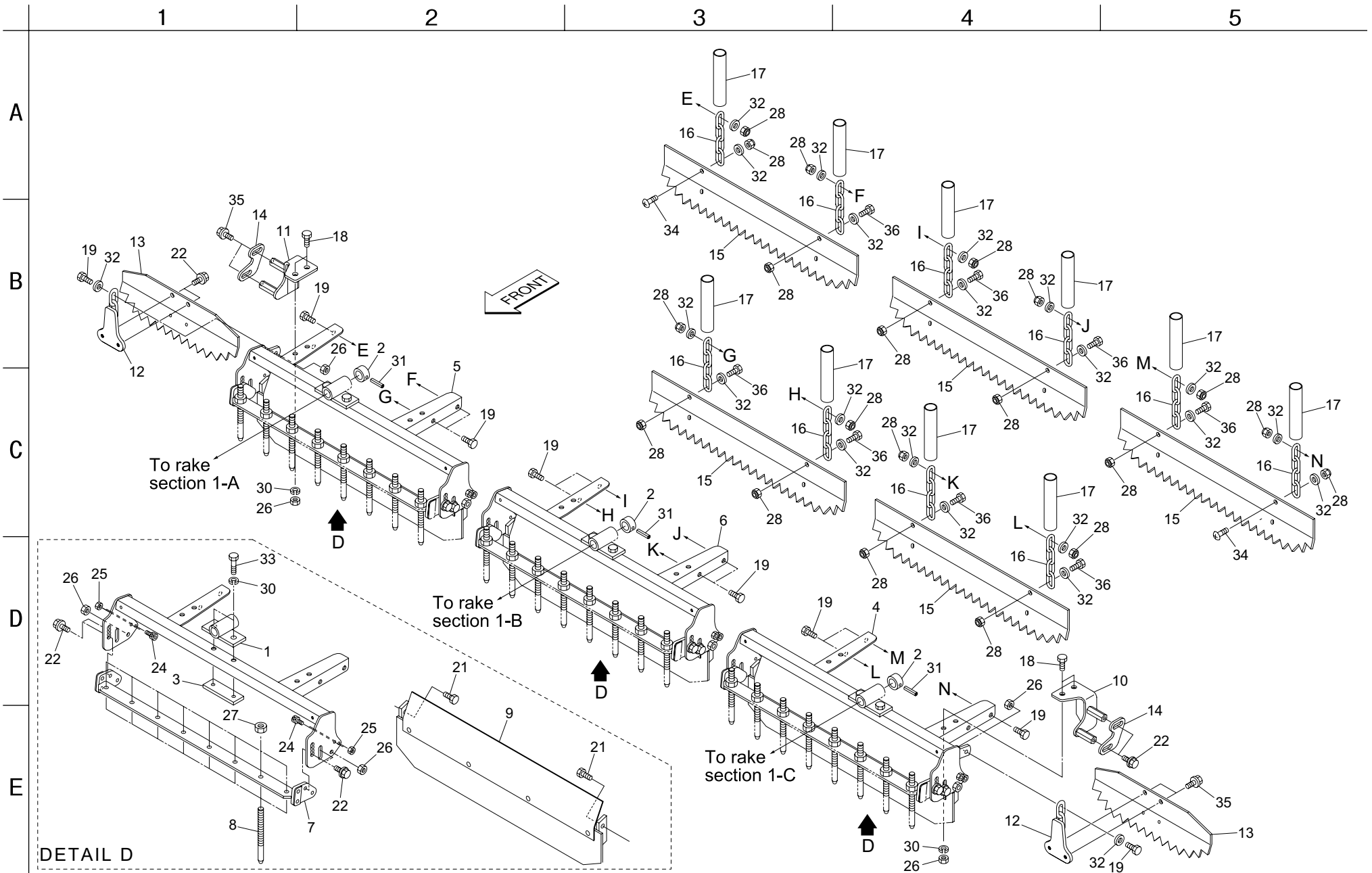
14. Rake section 1

SP05



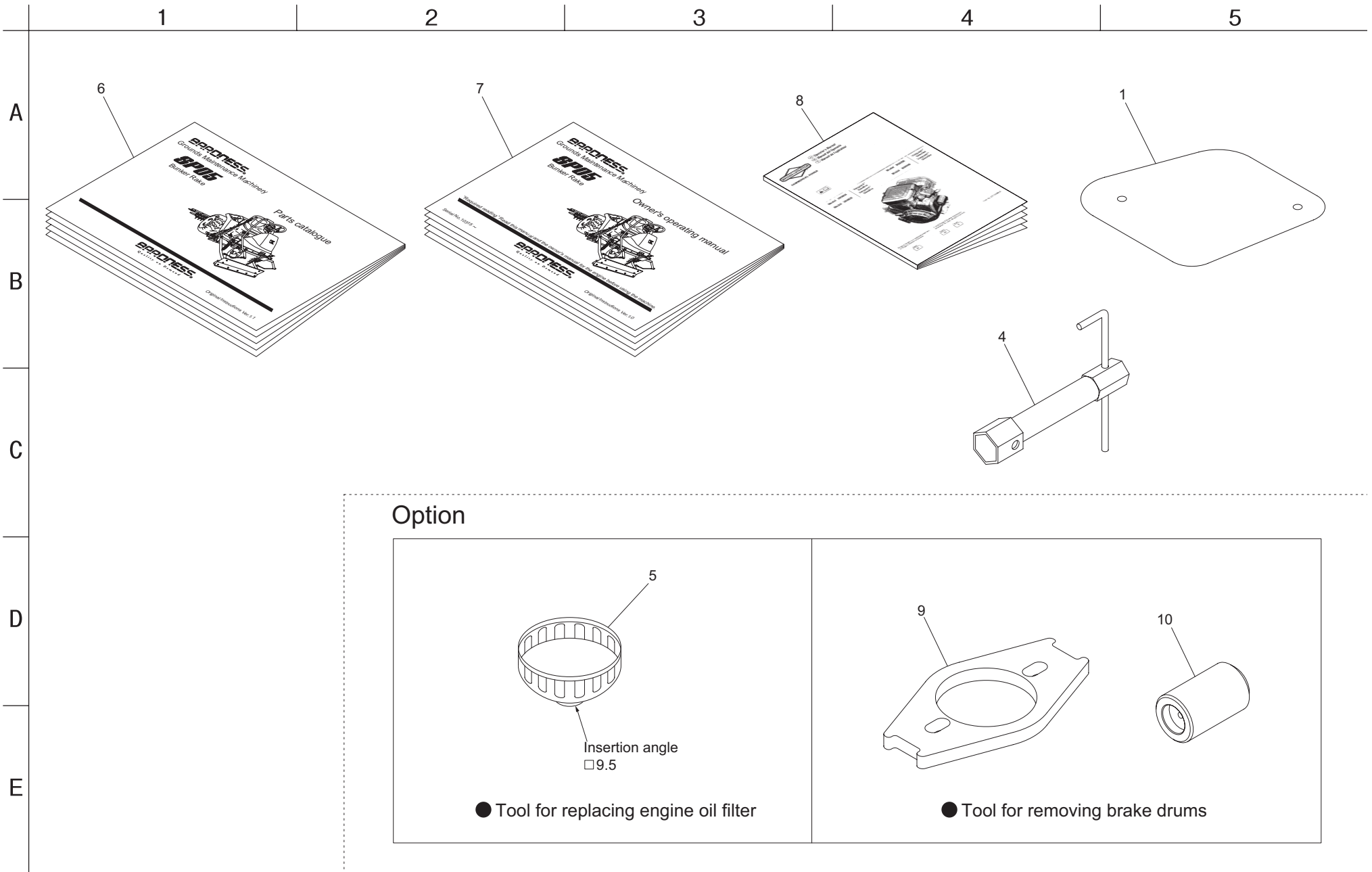
15. Rake section 2

SP05



16. Accessory section

SP05

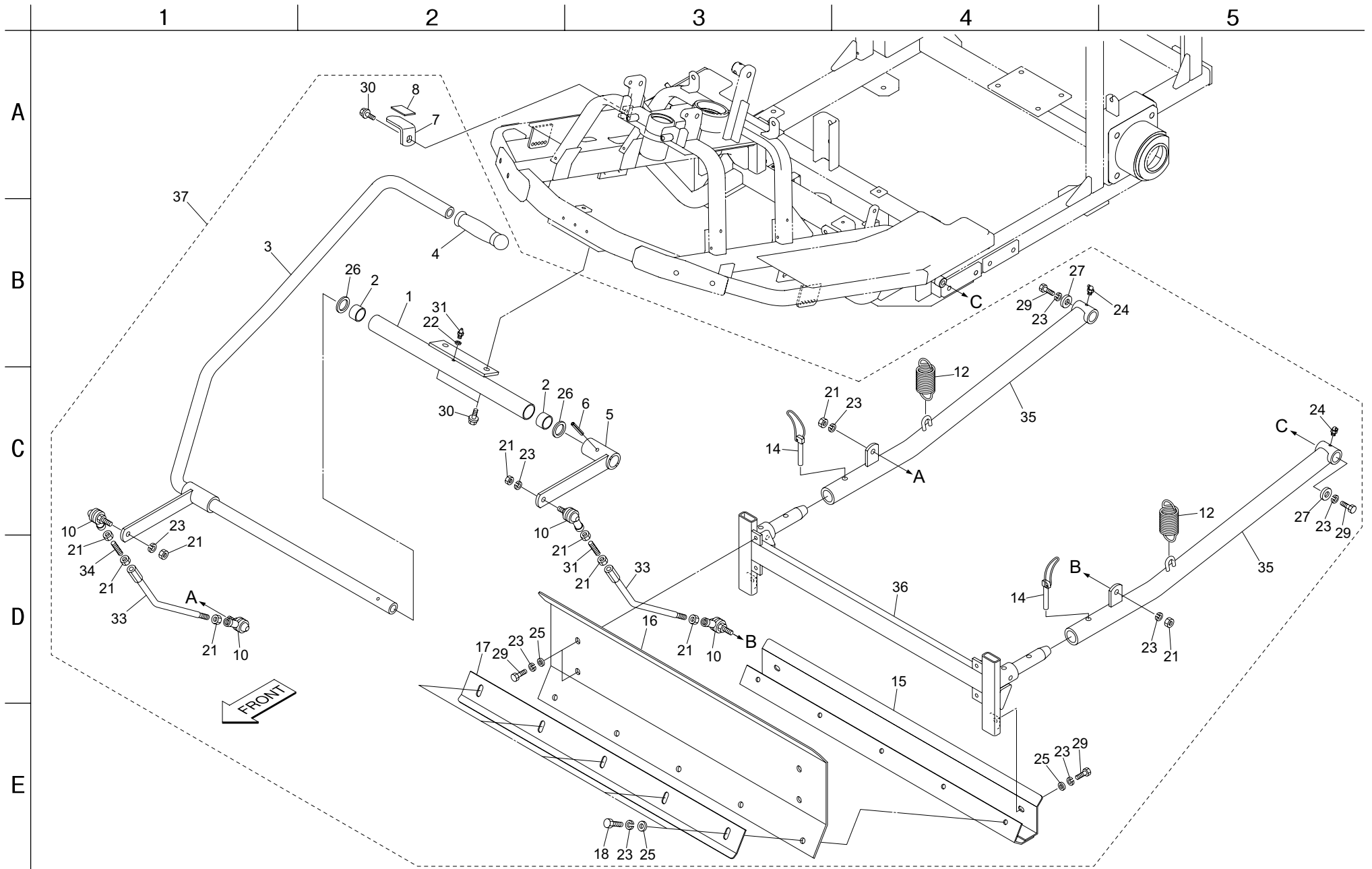


Cat No.	Code No.	Part name	Qty	Remarks
16 - 1	SP05---1501Z0	Box Bottom Rubber	1	
16 - 2				
16 - 3				
16 - 4	K4817000020	5/8 Plug Wrench 70	1	
16 - 5	K4821000010	9.5 Oil Filter Wrench 74	1	
16 - 6	750103-83-B	SP05 Parts Catalog	1	
16 - 7	750103-83-A	SP05 Operator's Manual	1	
16 - 8	PL277106	Engine Manual	1	
16 - 9	K480200044D	Brake Drum Remover A	1	
16 - 10	K4802000452	Brake Drum Remover B	1	

Cat No.	Code No.	Part name	Qty	Remarks

16. Accessory section	SP05
-----------------------	------

17. Front blade section (option)



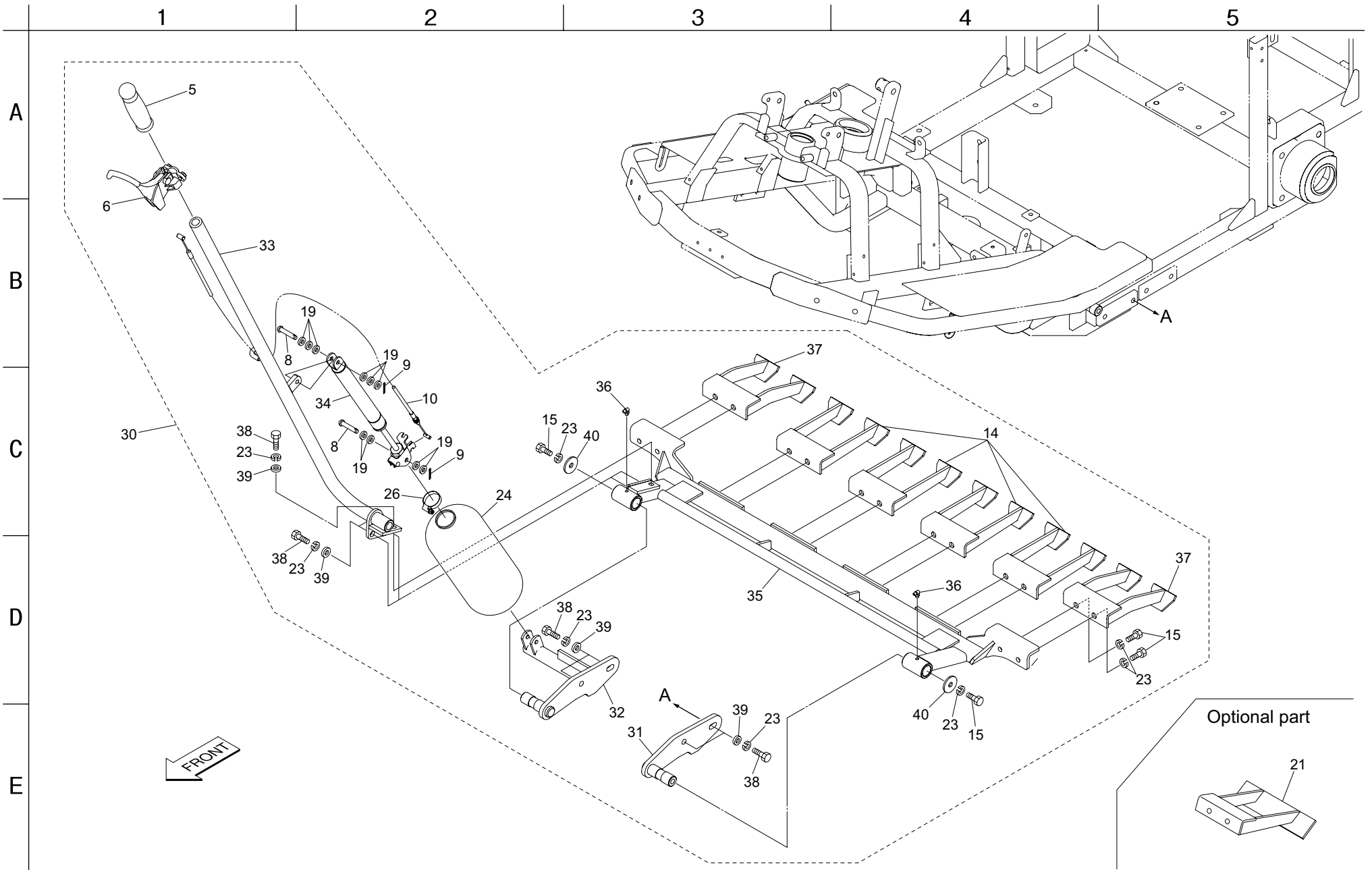
Cat No.	Code No.	Part name	Qty	Remarks
17 - 1	SP05---0801ZD	Sand Splbd Lever Fulcrum Pipe	1	
17 - 2	K6000000390	25.4 Bush 30.220	2	
17 - 3	SP05---0802AD	Sand Splashboard Lever	1	
17 - 4	K1300000020	Handle Grip 25.4	1	
17 - 5	SP05---0803ZD	Lever Arm	1	
17 - 6	K0320060361	6 Spring Pin 36	1	
17 - 7	SP05---0807ZD	Arm Backing Plate	1	
17 - 8	K4033000540	3 Plate Rubber 2535	1	
17 - 9	SP05---0804Z2	Connecting Shaft	2	
17 - 10	K1604100000	L-Ball LHSA10	4	
17 - 11				
17 - 12	K103000026D	2.9 Round Spring Hook 3895	2	
17 - 13				
17 - 14	K0450000028	Delta Pin 9	2	
17 - 15	SP160E-3802ZD	Sand Splbd Receiving Board	1	
17 - 16	SP160E-3804ZD	Sand Splashboard (Large)	1	
17 - 17	SP160E-3806ZD	Sand Splashboard (Small)	1	
17 - 18	K0000100252	10 Bolt 25	5	
17 - 19				
17 - 20				
17 - 21	K0100100002	10 Nut	10	
17 - 22	K0200060002	6S Washer	1	
17 - 23	K0200100002	10S Washer	17	
17 - 24	K1440000020	C-Type Grease Nipple	2	
17 - 25	K5000100002	10 Washer	11	
17 - 26	K5051025370	1C5191P Washer 25.437	2	
17 - 27	K5073210352	3.2 SPHC Washer 1035	2	
17 - 28				
17 - 29	K0000100202	10 Bolt 20	8	
17 - 30	K0007100252	10 Bolt 25SW	3	
17 - 31	K1440000010	Grease Nipple	1	
17 - 32	SP05---0820Z0	Sand Splashboard Ass'y	1	
17 - 33	SP160EA0812Z2	Connecting Shaft	2	
17 - 34	K0072000300	M10 Screw Shaft 80	2	
17 - 35	SP160EA0810ZD	Sand Splashboard Arm	2	

Cat No.	Code No.	Part name	Qty	Remarks
17 - 36	SP160EA0811ZD	Sand Splashboard Frame	1	
17 - 37	SP160EA0820Z0	Front Blade Ass'y	1	

17. Front blade section (option)	SP05
----------------------------------	------

18. Sand cultivator section (option)

SP05



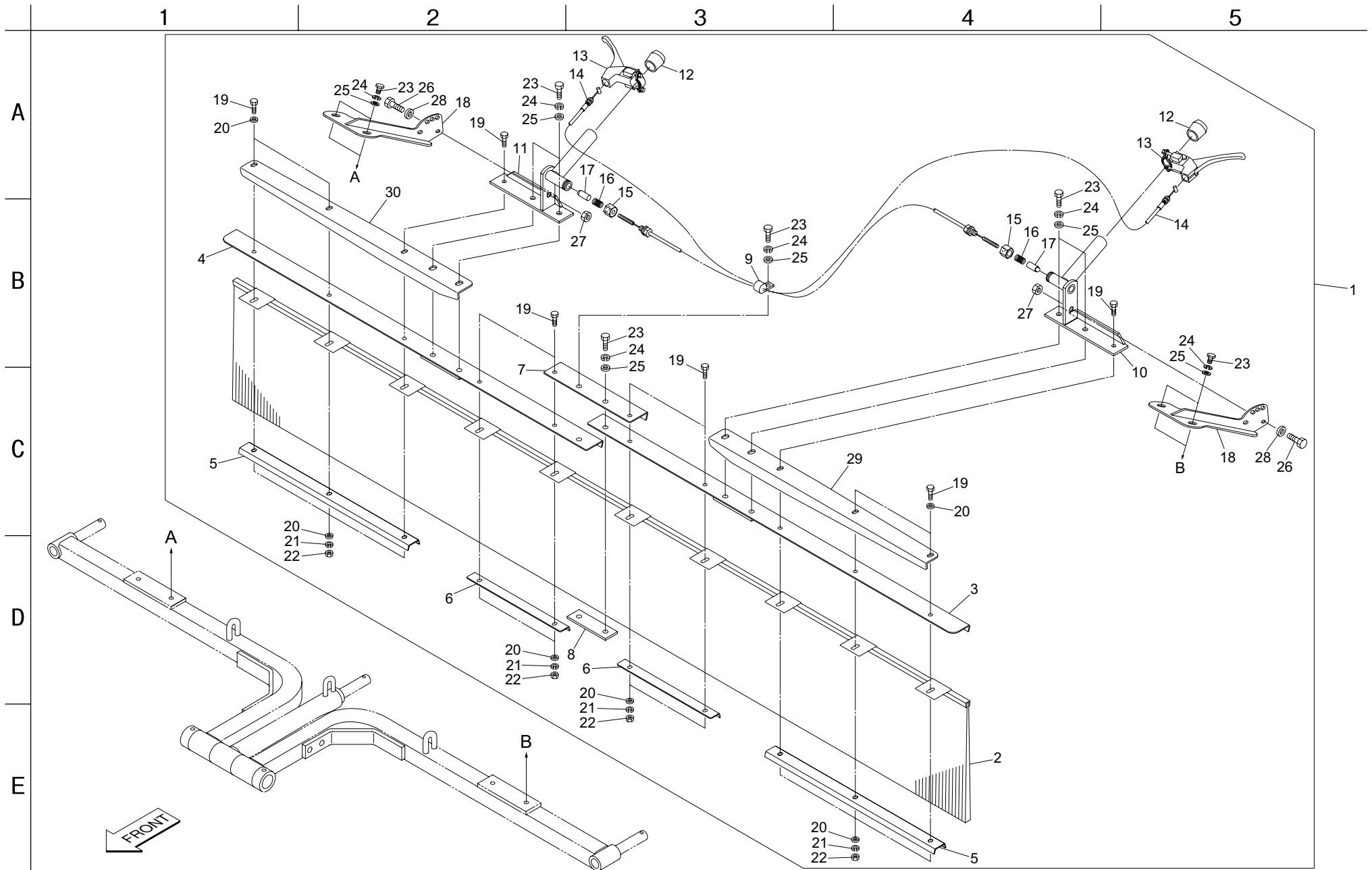
Cat No.	Code No.	Part name	Qty	Remarks
18 - 1				
18 - 2				
18 - 3				
18 - 4				
18 - 5	K130000020	Handle Grip 25.4	1	
18 - 6	K121146000	Clutch Lever E146000	1	
18 - 7				
18 - 8	K6041080428	8 Hardened Round Head Pin 42	2	
18 - 9	K0300025162	2.5 Split Pin 16	2	
18 - 10	K1160082000	Cultivator Wire 820	1	
18 - 11				
18 - 12				
18 - 13				
18 - 14	SP05---0909ZD	Trapezoidal Cultivator Fitting	4	
18 - 15	K0000100202	10 Bolt 20	14	
18 - 16				
18 - 17				
18 - 18				
18 - 19	K5000080002	8 Washer	10	
18 - 20				
18 - 21	SP05---0910ZD	Flat Cultivator Fitting	6	
18 - 22				
18 - 23	K0200100002	10S Washer	21	
18 - 24	SP05---0912Z0	Gas Spring Cover	1	
18 - 25				
18 - 26	K4260000190	Jubilee Band 1	1	
18 - 27				
18 - 28				
18 - 29				
18 - 30	SP05---0930Z0	Cultivator Ass'y	1	
18 - 31	SP05---0931ZD	Fulcrum Metal Fitting (Left)	1	
18 - 32	SP05---0932ZD	Fulcrum Metal Fitting (Right)	1	
18 - 33	SP05---0933ZD	Lever Pipe	1	
18 - 34	K3381000040	Free Lock FLF90-25	1	
18 - 35	SP05---0934ZD	Cultivator Arm	1	

Cat No.	Code No.	Part name	Qty	Remarks
18 - 36	K1440000020	C-Type Grease Nipple	2	
18 - 37	SP05---0935ZD	Trapezoidal Side Cultivator Fork	2	
18 - 38	K0000100252	10 Bolt 25	7	
18 - 39	K5000100002	10 Washer	7	
18 - 40	K5073210352	3.2 SPHC Washer 1035	2	

18. Sand cultivator section (option)	SP05
---	-------------

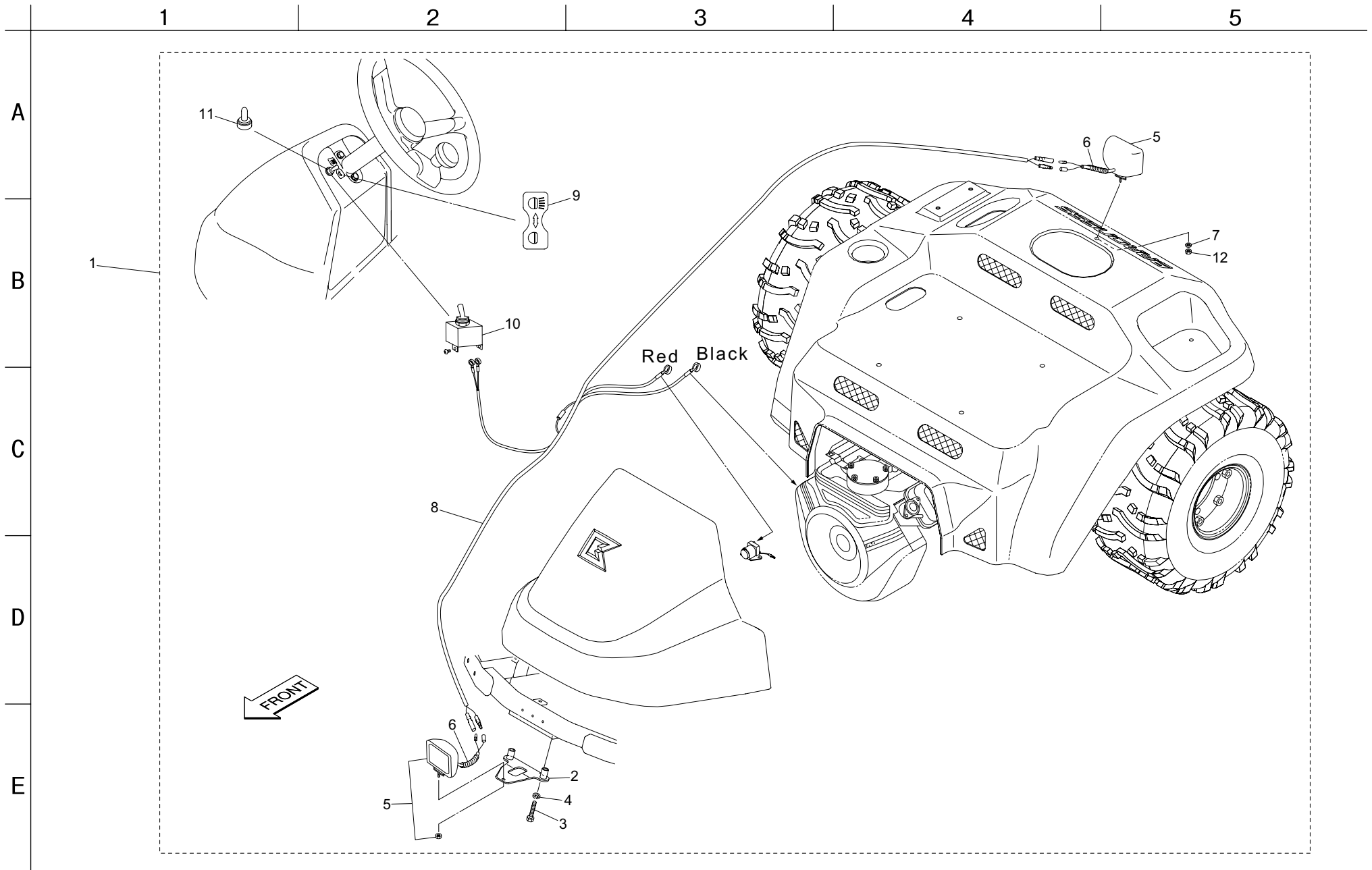
20. Finishing brush section (option)

SP05



21. Light section

SP05



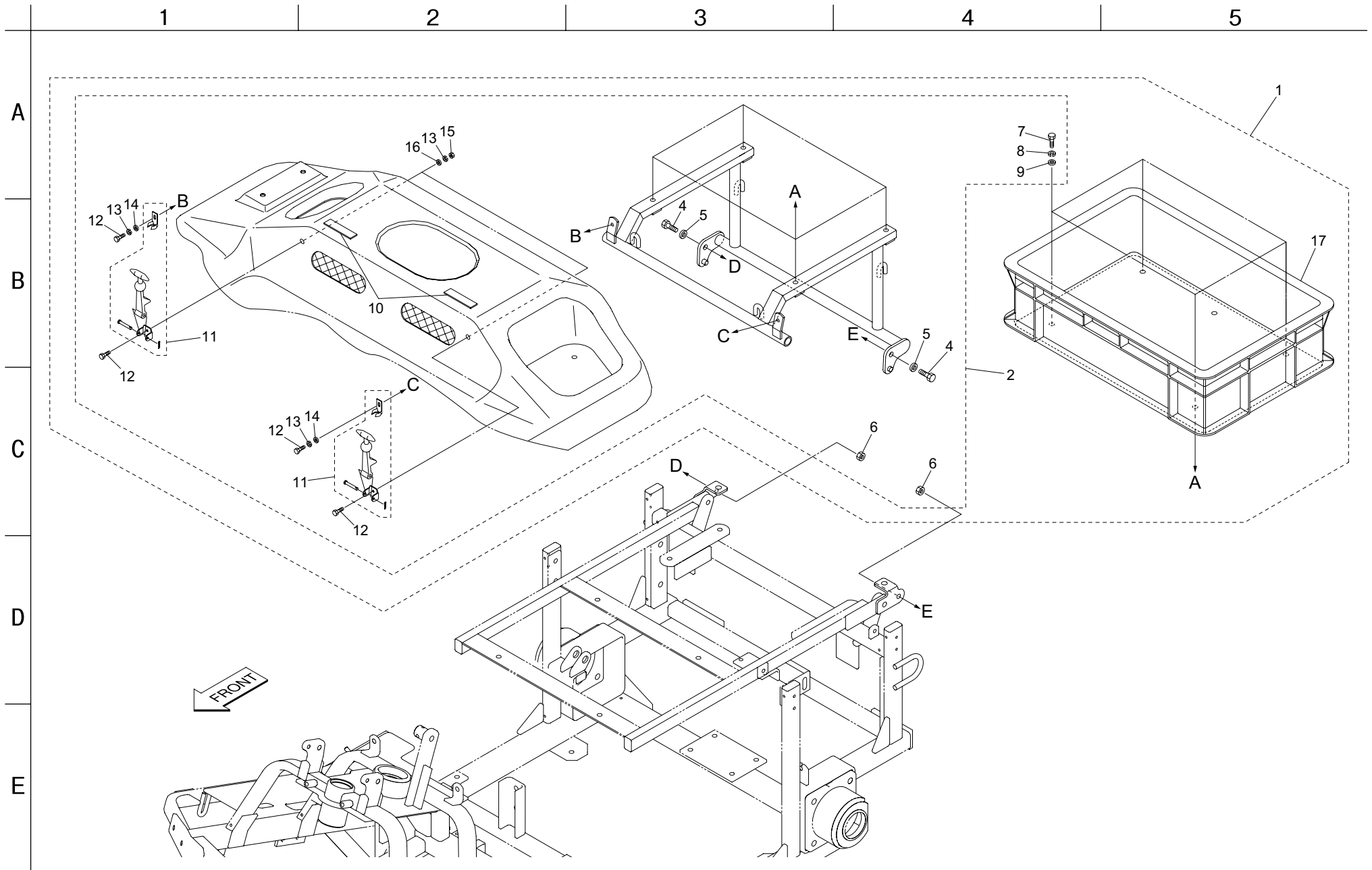
Cat No.	Code No.	Part name	Qty	Remarks
21 - 1	SP05---1101Z0	Light Ass'y	1	
21 - 2	SP05---1102ZD	Light Bracket	1	
21 - 3	K0000100602	10 Bolt 60	2	
21 - 4	K0200100002	10S Washer	2	
21 - 5	K3640000070	Work Lamp WL-B220A	2	
21 - 6	K3194001000	7 Corrugated Tube 100	2	
21 - 7	K5012308322	2.3SPCC Metal Washer 832	1	
21 - 8	SP05---1103Z0	Light Harness	1	
21 - 9	K4203001410	Light Switch Mark	1	
21 - 10	K3662000060	Satori Toggle Switch ST115AT	1	
21 - 11	K4031000300	Rubber Cap WD1911	1	
21 - 12	K0144080002	8U Nut	1	

Cat No.	Code No.	Part name	Qty	Remarks

21. Light section	SP05
-------------------	------

22. Cargo box section

SP05



Cat No.	Code No.	Part name	Qty	Remarks
22 - 1	SP05---1301Z0	Cargo Box Kit	1	
22 - 2	SP05---1302Z0	Cargo Box Mount Ass'y	1	
22 - 3	SP05---1303ZR	Cargo Box Mount	1	
22 - 4	K0000100352	10 Bolt 35	2	
22 - 5	K5000100002	10 Washer	2	
22 - 6	K0100100002	10 Nut	2	
22 - 7	K0000080352	8 Bolt 35	4	
22 - 8	K0200080002	8S Washer	4	
22 - 9	K5012308322	2.3 SPCC Metal Washer 832	4	
22 - 10	K4033000550	3 Plate Rubber 30120	2	
22 - 11	K1520000030	Rubber Catch Ass'y	2	
22 - 12	K0000060202	6 Bolt 20	4	
22 - 13	K0200060002	6S Washer	4	
22 - 14	K5000060002	6 Washer	2	
22 - 15	K0100060002	6 Nut	2	
22 - 16	K5011606222	1.6 SPCC Metal Washer 622	2	
22 - 17	SP05---1305Z0	Cargo Box	1	

Cat No.	Code No.	Part name	Qty	Remarks

22. Cargo box section	SP05
-----------------------	------

BARONESS[®]

Quality on Demand



KYOEISHA CO., LTD.

Head Office 1-26, Miyuki-cho, Toyokawa, Tel : (0533)84-1390
Aichi-Pref. 442-8530 Japan. Fax : (0533)89-3623