

Front 5-reel mower

**LM2700**

**BARONESS  
MOWER**

**Parts catalogue**

LM2700 (22) SN10245 and onwards  
LM2700 (26) SN10248 and onwards



**BARONESS**

# Contents

PARTS CATALOGUE .....	2	23B. Mower parts B (22inch) .....	63
1. Frame parts A.....	3	24B. Roller Ass'y parts A (22inch).....	65
2. Frame parts A.....	5	25. Accessary parts.....	67
3. Cover parts .....	7	26A. Option (26inch Grass catcher parts).....	69
4. Front wheel parts .....	9	26B. Option (22inch Grass catcher parts).....	71
5. Rear wheel parts.....	11	27A. Option (26inch Groomer Ass'y parts for mower unit #1,#3,#5).....	73
6. Pedal parts A.....	13	28A. Option (26inch Groomer Ass'y parts for mower unit #2,#4).....	75
7. Pedal parts B .....	15	27B. Option (22inch Groomer Ass'y parts for mower unit #1,#3,#5).....	77
8. Engine parts A.....	17	28B. Option (22inch Groomer Ass'y parts for mower unit #2,#4).....	79
9. Engine parts B .....	19	29. Option (26inch, 22inch scraper parts).....	81
9. Engine parts B .....	21	30A. Option (26inch CR brush parts).....	83
10. Engine parts C .....	23	30B. Option (22inch CR brush parts).....	85
11. Engine parts D .....	25		
12. Hydraulic parts A.....	27		
12. Hydraulic parts A.....	29		
13. Hydraulic parts B.....	31		
14. Hydraulic parts C .....	33		
15. Hydraulic parts D .....	35		
16. Hydraulic parts E.....	37		
17. Hydraulic parts F.....	39		
18. Hydraulic parts G .....	41		
18. Hydraulic parts G .....	43		
19. Hydraulic parts H .....	45		
20A. Lift arm front part (26inch) .....	47		
21A. Lift arm rear part (26inch).....	49		
20B. Lift arm front part (22inch) .....	51		
21B. Lift arm rear part (22inch).....	53		
22A. Mower parts A (26inch).....	55		
23A. Mower parts B (26inch) .....	57		
24A. Roller Ass'y parts (26inch).....	59		
22B. Mower parts A (22inch).....	61		

Front 5-reel mower

***LM2700***

**BARONNESS  
MOWER**

## **PARTS CATALOGUE**

☆ **Ordering parts**

All parts in this parts catalogue are controlled by computer.

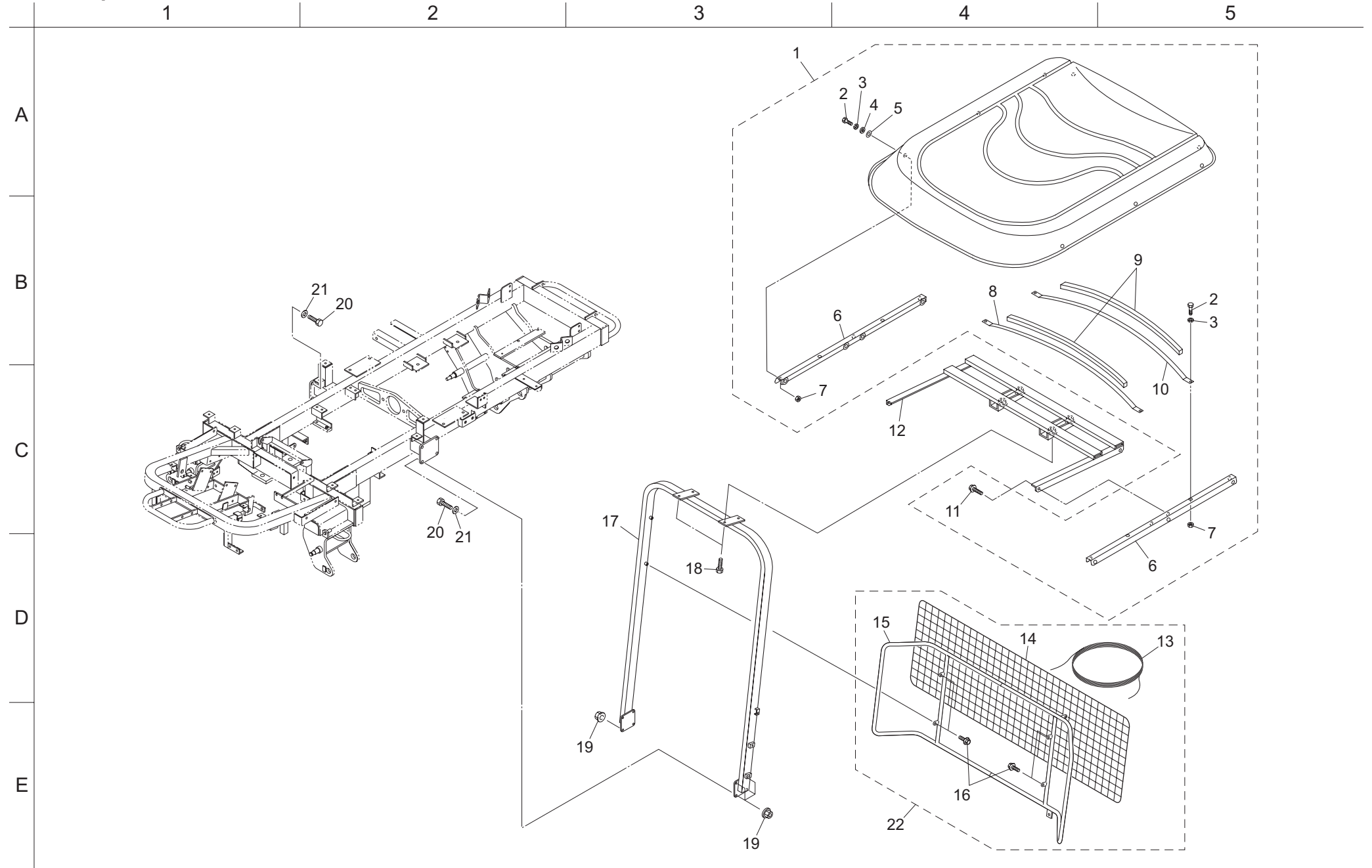
For prevention of delivery of wrong parts, advise us of the catalogue No., code No., and part name.

(Example)	Cat No.	Code No.	Part Name	Qty
	1-1	LM2700-0620ZD	step	1



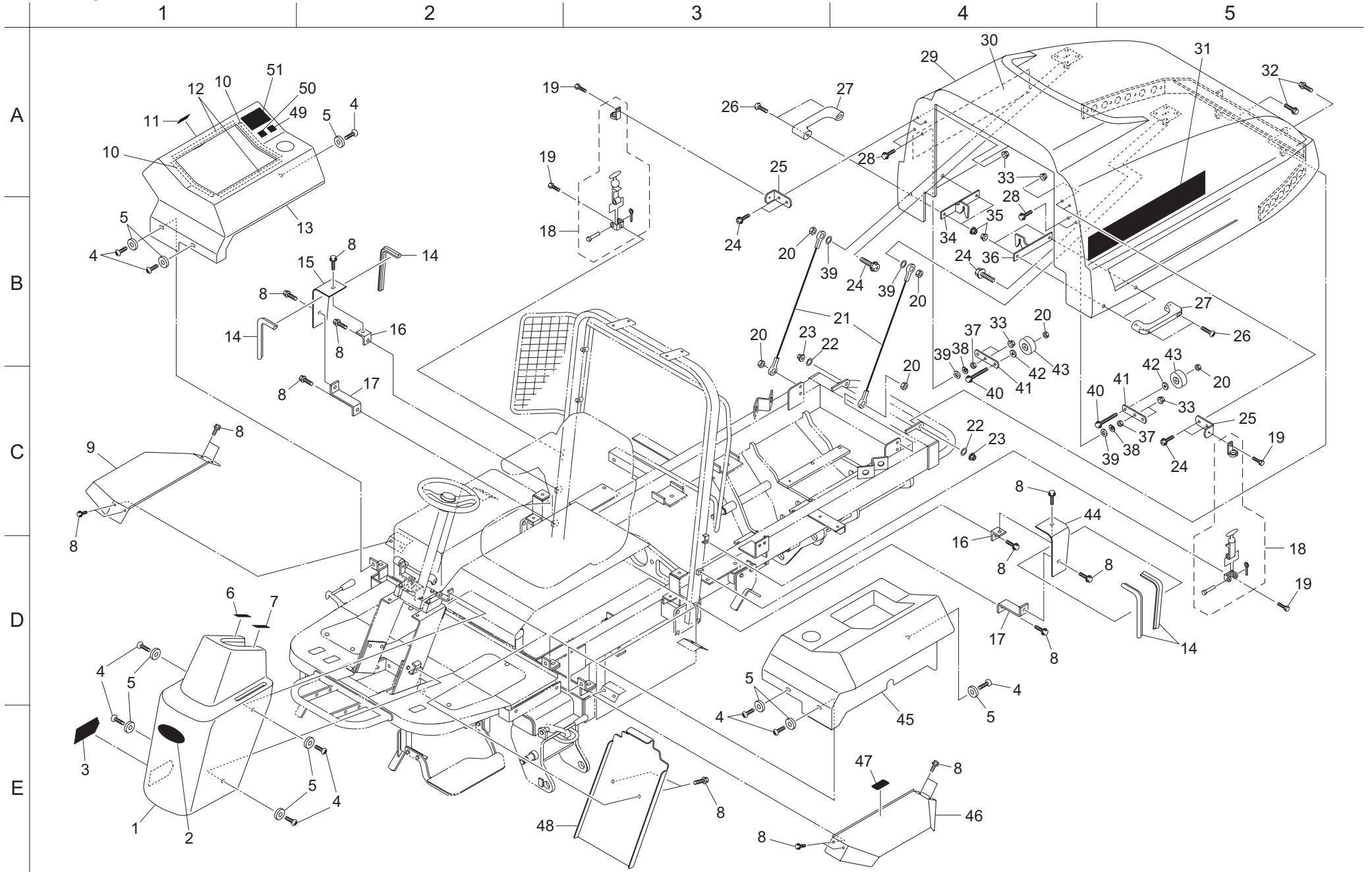


## 2. Frame parts A





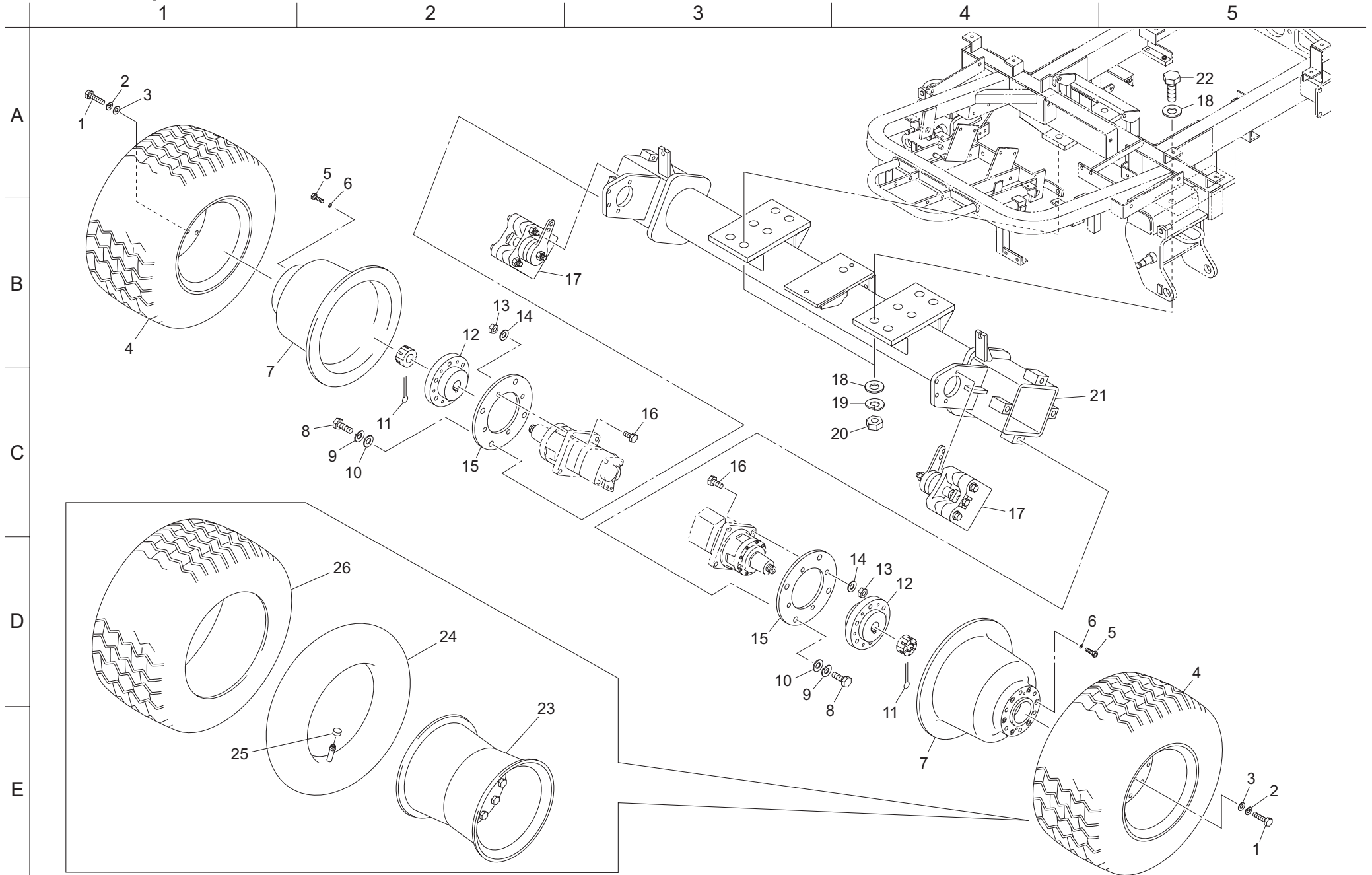
### 3. Cover parts





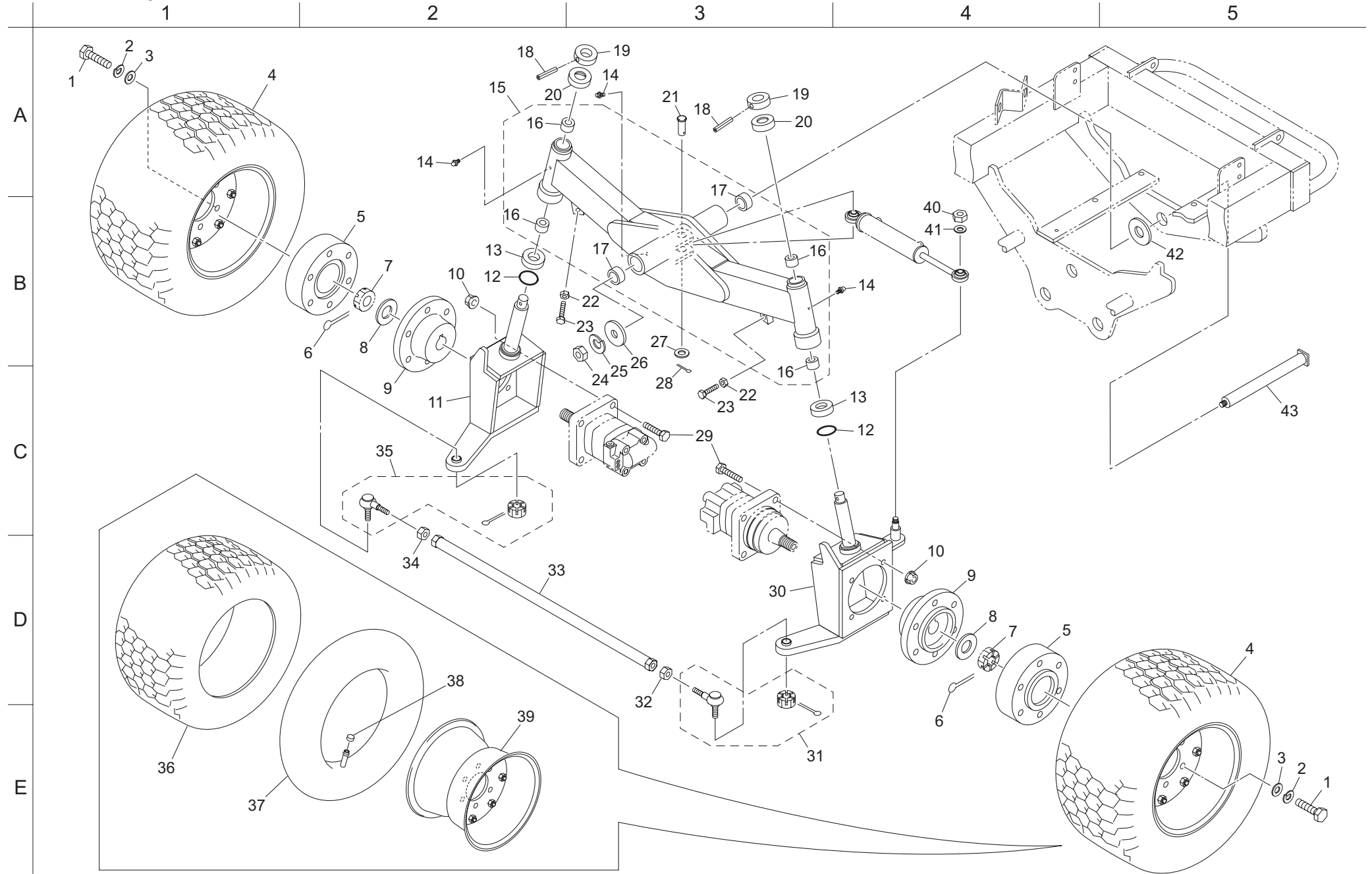


### 4. Front wheel parts



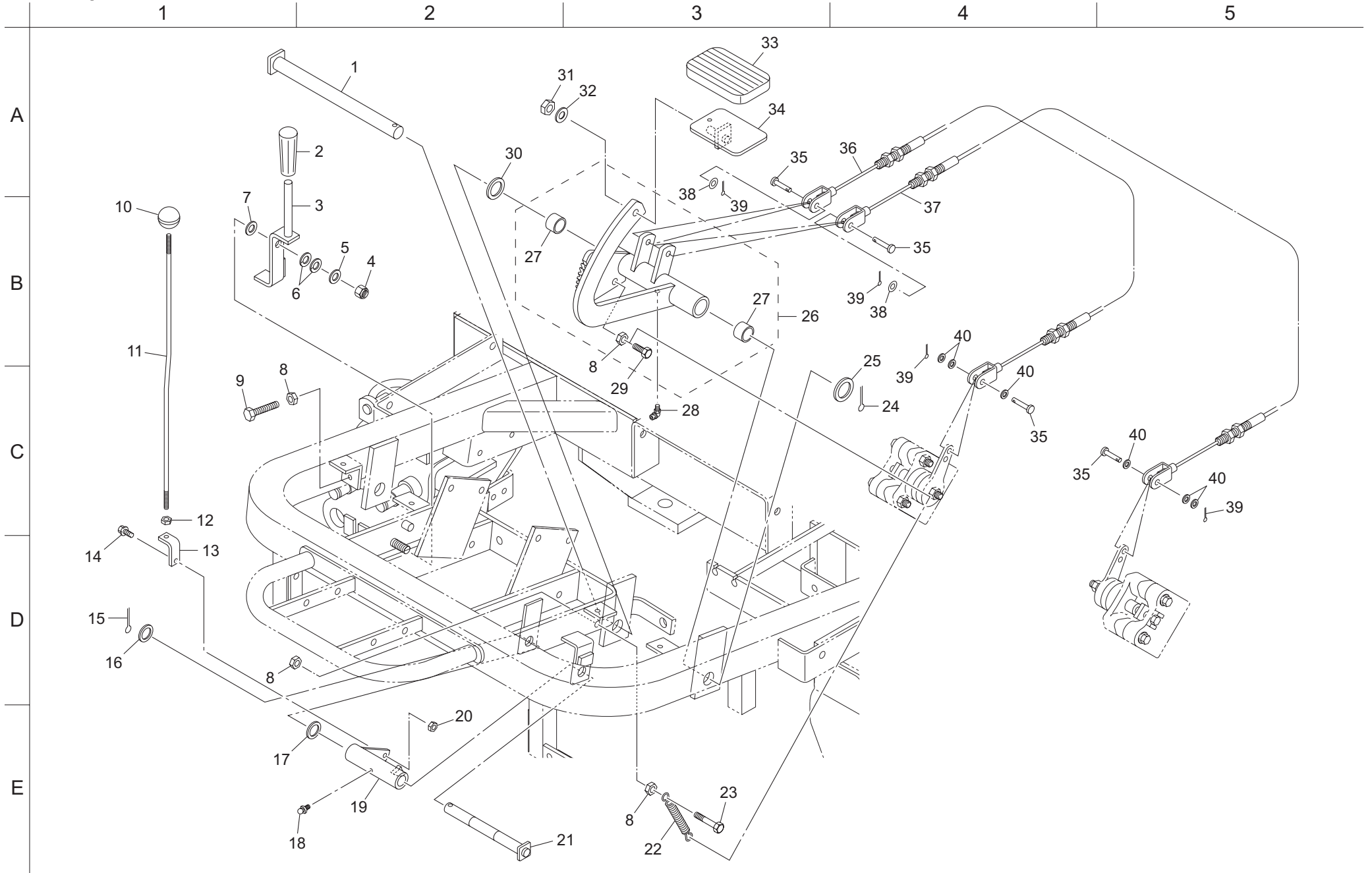


### 5. Rear wheel parts



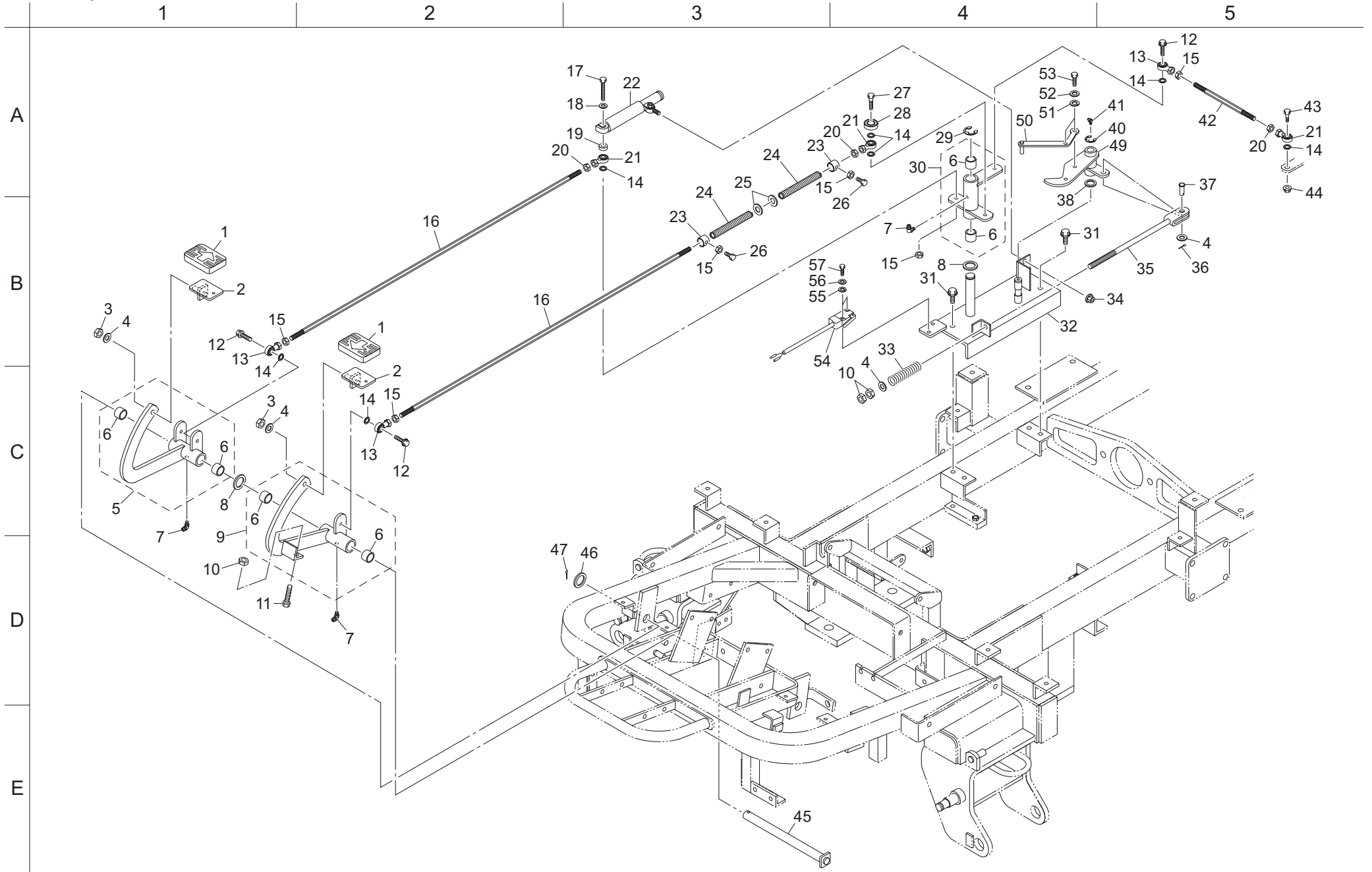


### 6. Pedal parts A





### 7. Pedal parts B

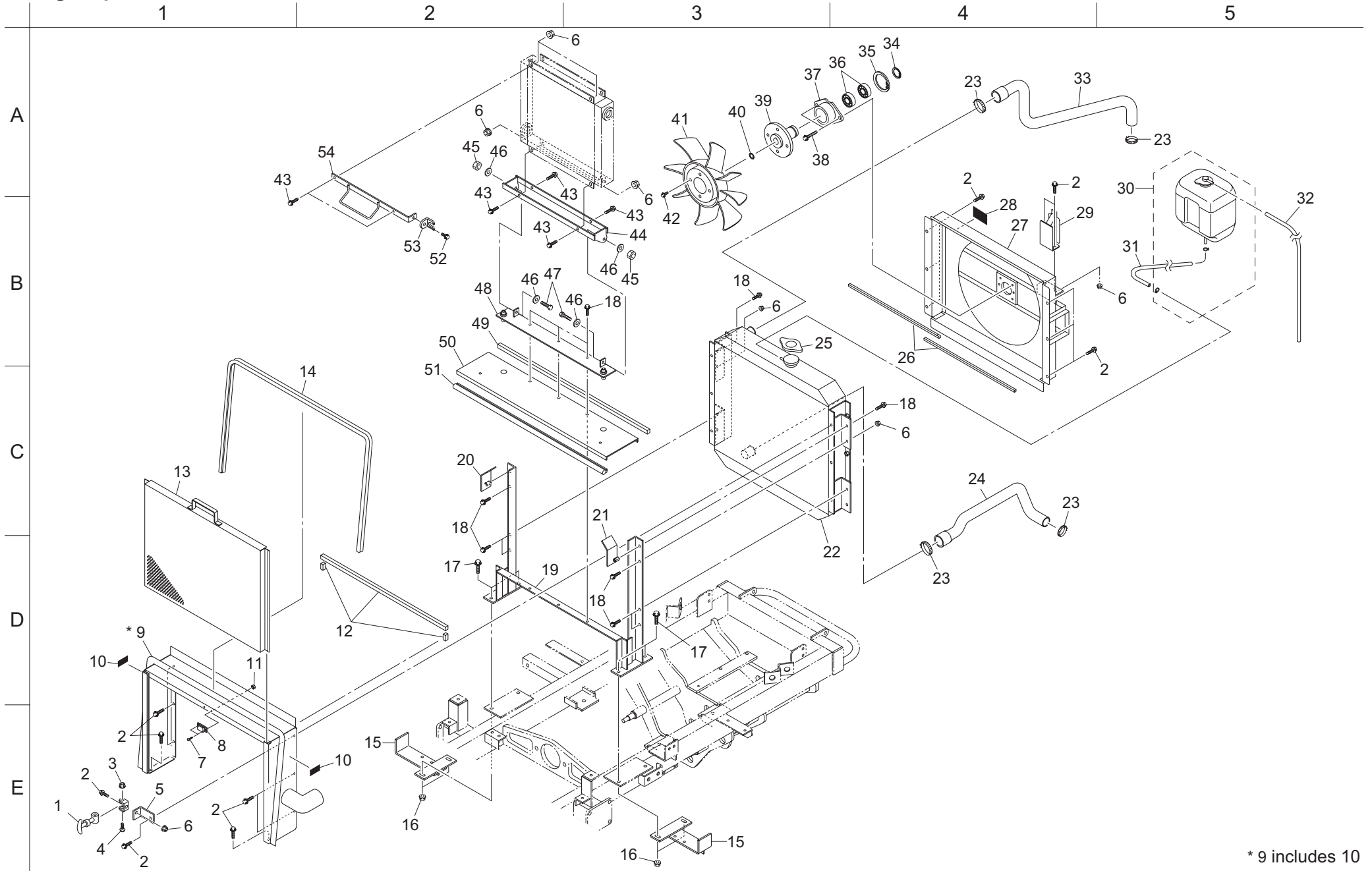




Cat No.	Code No.	Part Name	Qty	Remark
7-1	LM2700-0420Z0	pedal rubber 5575	2	
7-2	LM2700-0408ZD	pedal B	2	
7-3	K0144100002	10U nut	2	
7-4	K5000100002	10 washer	4	
7-5	LM2700-0402ZD	backward pedal	1	
7-6	K6000000280	20 bush 2420	6	
7-7	K1440000020	C-shaped grease nipple	3	
7-8	K5011020322	1SPCC metal washer 2032	2	
7-9	LM2700-0401ZD	forward pedal	1	
7-10	K0100100002	10 nut	3	
7-11	K0000100352	10 bolt 35	1	
7-12	K0021080302	8 bolt with flange 30	3	
7-13	K1601080000	pillow ball rod end PHS8	3	
7-14	K5073208202	3.2SPHC metal washer 820	7	
7-15	K0100080002	8 nut	6	
7-16	LM2700-0415Z2	screw rod 875	2	
7-17	K0003080552	8 bolt 55	1	
7-18	K5000080002	8 wahser	1	
7-19	K6212003262	8.5 STKM collar 148	1	
7-20	K0180080002	8 left-hand thread nut	3	
7-21	K16010800L0	pillow ball rod end PHS8LA	3	
7-22	K3380000010	lever damper	1	
7-23	K6218000012	12 collar with tap 2220	2	
7-24	K1000000558	2 compression spring 18100	2	
7-25	K5000120002	12 washer	2	
7-26	K0000080152	8 bolt 15	2	
7-27	LM2700-0418Z2	special bolt with M8	1	
7-28	K0608006290	bearing 6292RS	1	
7-29	K0400015002	stop ring E15	1	
7-30	LM2700-0413Z2	pump idle lever	1	
7-31	K0021100152	10 bolt with flange 15(1pc)	2	
7-32				
7-33	K100000082D	2.6 compression spring 17.270	1	
7-34	K0151080002	8 nut with flange	1	
7-35	LM2700-0419Z2	lever adjuster	1	

Cat No.	Code No.	Part Name	Qty	Remark
7-36	K0300025202	2.5 split pin 20	1	
7-37	K6031100258	10 hardened flat head pin 25	1	
7-38	K5011016242	1SPCC metal washer 1624	1	
7-39				
7-40	K0400012002	stop ring E12	1	
7-41	K1440000030	B-shaped grease nipple	1	
7-42	LM2700-0416Z2	screw rod 170	1	
7-43	LM2700-0417Z2	special bolt with M6	1	
7-44	K0151060002	6 nut with flange	1	
7-45	LM2700-0411Z2	pedal shaft	1	
7-46	K5012320402	2.3SPCC metal washer 2040	1	
7-47	K0300032322	3.2 split pin 32	1	
7-48	LM2700-1801Z2	pump center fitting	1	
7-49	LM2700-1802Z2	pump center lever	1	
7-50	LM2700-1803Z2	lever	1	
7-51	K5000060002	6 washer	2	
7-52	K0200060002	6S washer	2	
7-53	K0000060152	6 bolt 15	2	
7-54	K3670000130	limit switch AZ3725-1	1	
7-55	K0042040252	4+ round head small screw 25	2	
7-56	K0200040002	4S washer	2	
7-57	K5000040002	4 washer	2	

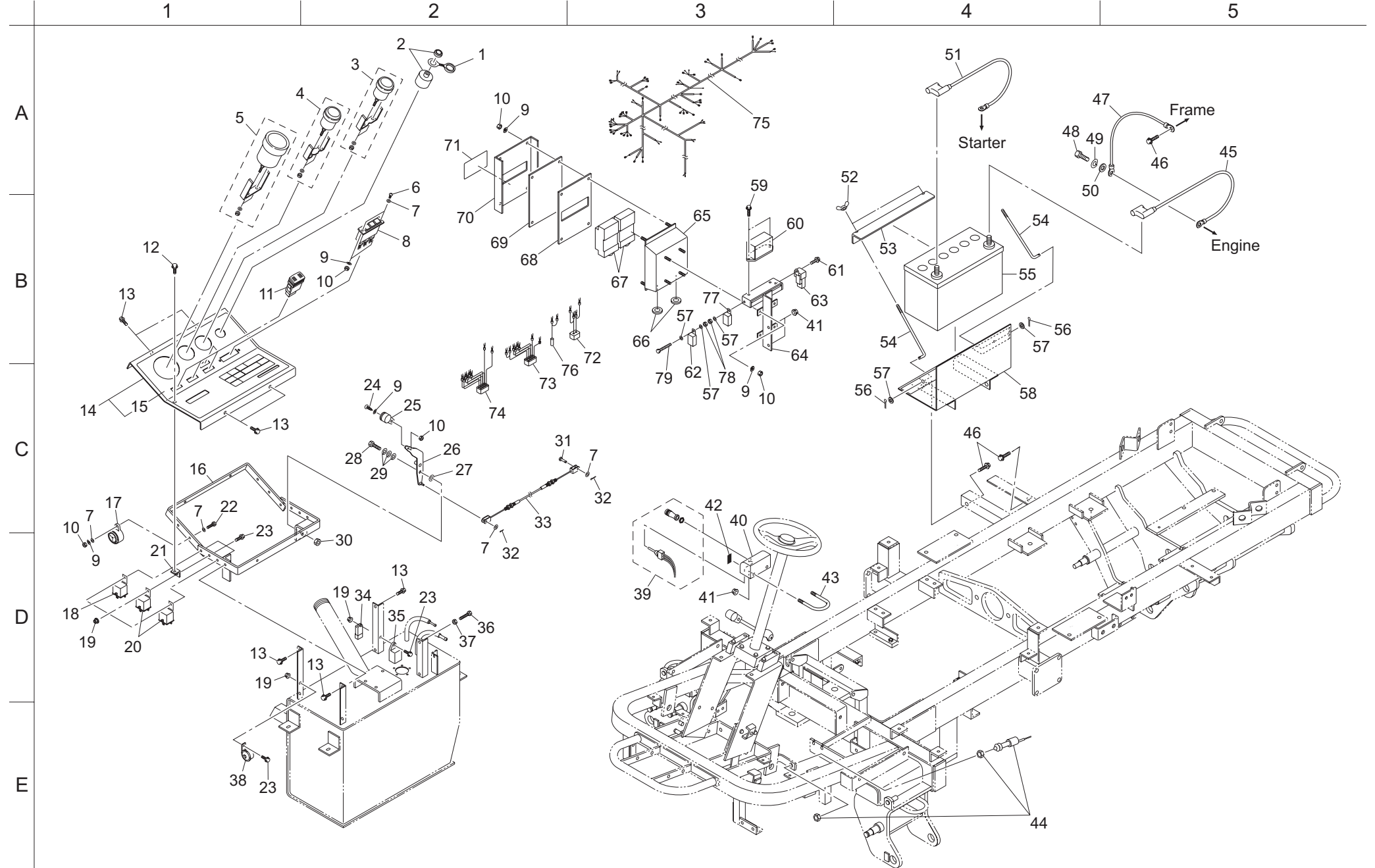
### 8. Engine parts A



\* 9 includes 10



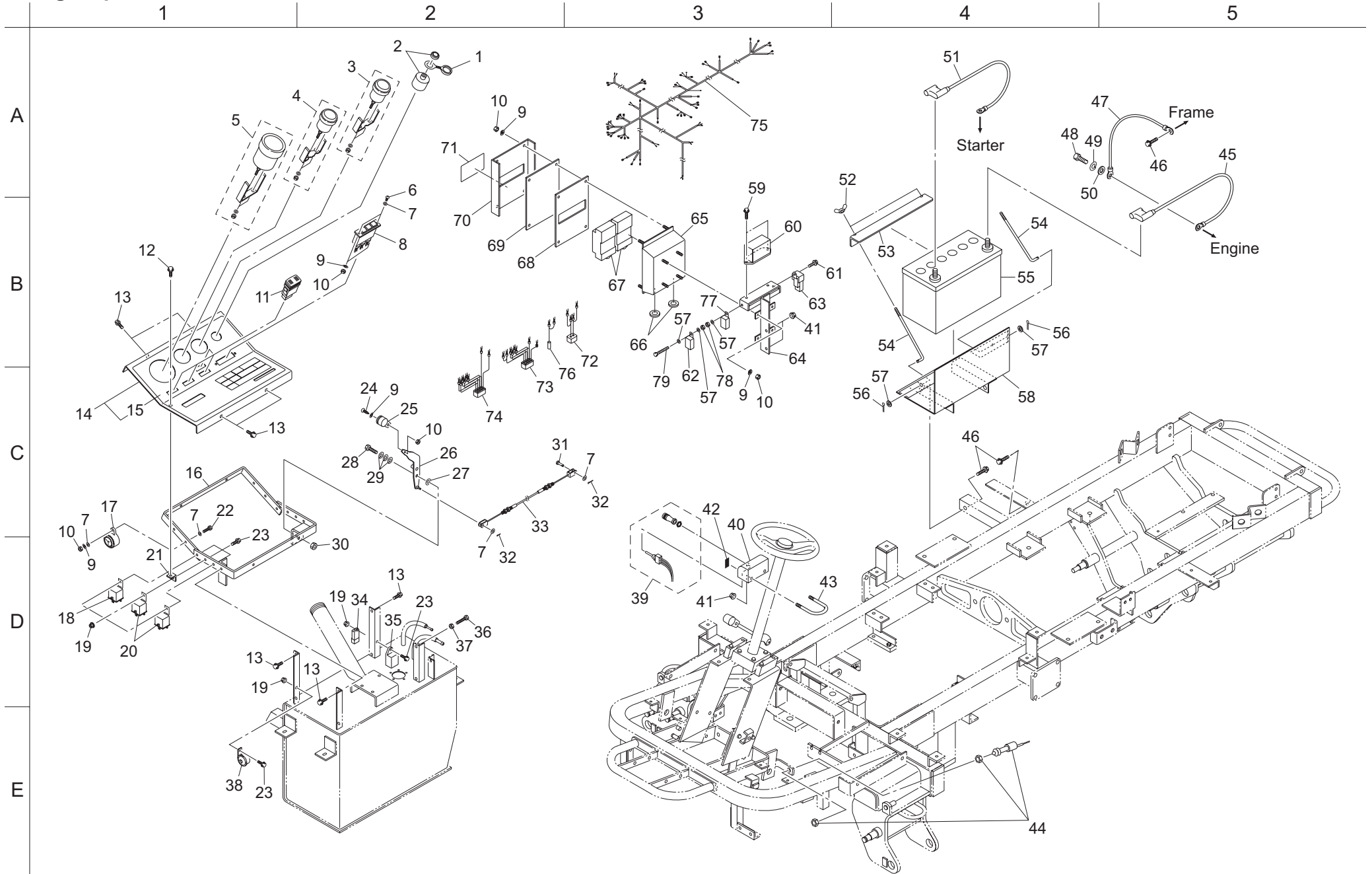
### 9. Engine parts B



Cat No.	Code No.	Part Name	Qty	Remark
9-1	PF54611-4112-1	starter switch cap	1	
9-2	PF15248-6359-2	starter switch Ass'y	1	
9-3	K3653000010	fuel gauge 52BG2	1	
9-4	PF19488-8303-2	water temperature gauge	1	
9-5	PF17492-8301-2	hour meter Ass'y (with RPM,HR)	1	
9-6	K0042050122	5+ round head small screw 12	2	
9-7	K5000050002	5 washer	6	
9-8	K3641000040	pilot lamp	1	
9-9	K0200050002	5S washer	12	
9-10	K0100050002	5 nut	12	
9-11	K3661000050	see-saw switch	4	
9-12	K0062080122	8 button bolt with hex. hole 12	1	
9-13	K0021080202	8 bolt with flange 20	7	
9-14	LM2700-3901Z0	instrument mount plate COMP	1	
9-15	LM2700-0957Z0	operation label	1	
9-16	LM2700-0937ZD	instrument mount frame	1	
9-17	K3700000010	buzzer type EBM-12	1	
9-18	K3681000080	power relay MR5A602A1K	1	
9-19	K0151060002	6 nut with flange	5	
9-20	K3681000070	power relay MR5A411A1K	2	
9-21	LM2700-0954ZD	3 angle with tap 2525	1	
9-22	K0000050252	5 bolt 25	1	
9-23	K0000060202	6 bolt 20	4	
9-24	K0042050082	5+ round head small screw 8	1	
9-25	K1301000150	throttle lever grip	1	
9-26	LM2700-0560Z2	throttle lever	1	
9-27	K5011010222	1SPCC metal washer 1022	1	
9-28	K0001100302	10 bolt 30P1.25	1	
9-29	K0210100001	10 conical disk spring L	3	
9-30	K0103100002	10 nut P1.25	1	
9-31	K6030050152	5 flat-head pin 15	1	
9-32	K0300020162	2 split pin 16	2	
9-33	LM2700-0535Z0	throttle wire 1610	1	
9-34	PF1K574-6022-1	relay COMP(12VA,D)	1	
9-35	PF15694-6599-2	timer(glow lamp)	1	

Cat No.	Code No.	Part Name	Qty	Remark
9-36	K0000080402	8 bolt 40	1	
9-37	K0100080002	8 nut	1	
9-38	K3700000020	buzzer U-WBS12	1	
9-39	K3662000030	auto-return switch ET1115G	1	
9-40	LM2700-0552ZD	switch box	1	
9-41	K0151080002	8 nut with flange	4	
9-42	K4203001420	differential lock mark	1	
9-43	K0073000052	U bolt M8×40A	1	
9-44	K3671000150	safety switch V17680A	1	
9-45	LM2700-0533Z0	battery (-) wire 530	1	
9-46	K0021080152	8 bolt with flange 15	3	
9-47	LM2700-0534Z0	ground wire 300	1	
9-48	K0002120202	12 bolt 20P1.25	1	
9-49	K0200120002	12S washer	1	
9-50	K5000120002	12 washer	1	
9-51	LM2700-0532Z0	battery (+) wire 520	1	
9-52	K0140060002	6 wing nut	2	
9-53	GM2800-0604ZD	battery support	1	
9-54	LM2700-0546ZD	battery support rod	2	
9-55	K3600000180	battery FX105D31R	1	
9-56	K0300016102	1.6 split pin 10	2	
9-57	K5000060002	6 washer	5	
9-58	LM2700-0545ZD	battery case	1	
9-59	K0021060152	6 bolt with flange 15	2	
9-60	K3630000090	mini-fuse block 10P-A	1	
9-61	K0021060102	6 bolt with flange 10	2	
9-62	K3681000060	relay CA1aF-12V-N-5	1	
9-63	K3620000720	fusible link	1	
9-64	LM2700-0551ZD	box bracket	1	
9-65	GM2800-0516ZD	relay box	1	
9-66	K0900300160	grommet with film C305G16A	2	
9-67	K3680000030	terminal relay G6B-4CB	2	
9-68	GM2800-0517Z0	1 rubber packing 134189	1	
9-69	GM2800-0518Z0	1.5 acrylic board 134189	1	
9-70	GM2800-0519ZD	box cover	1	

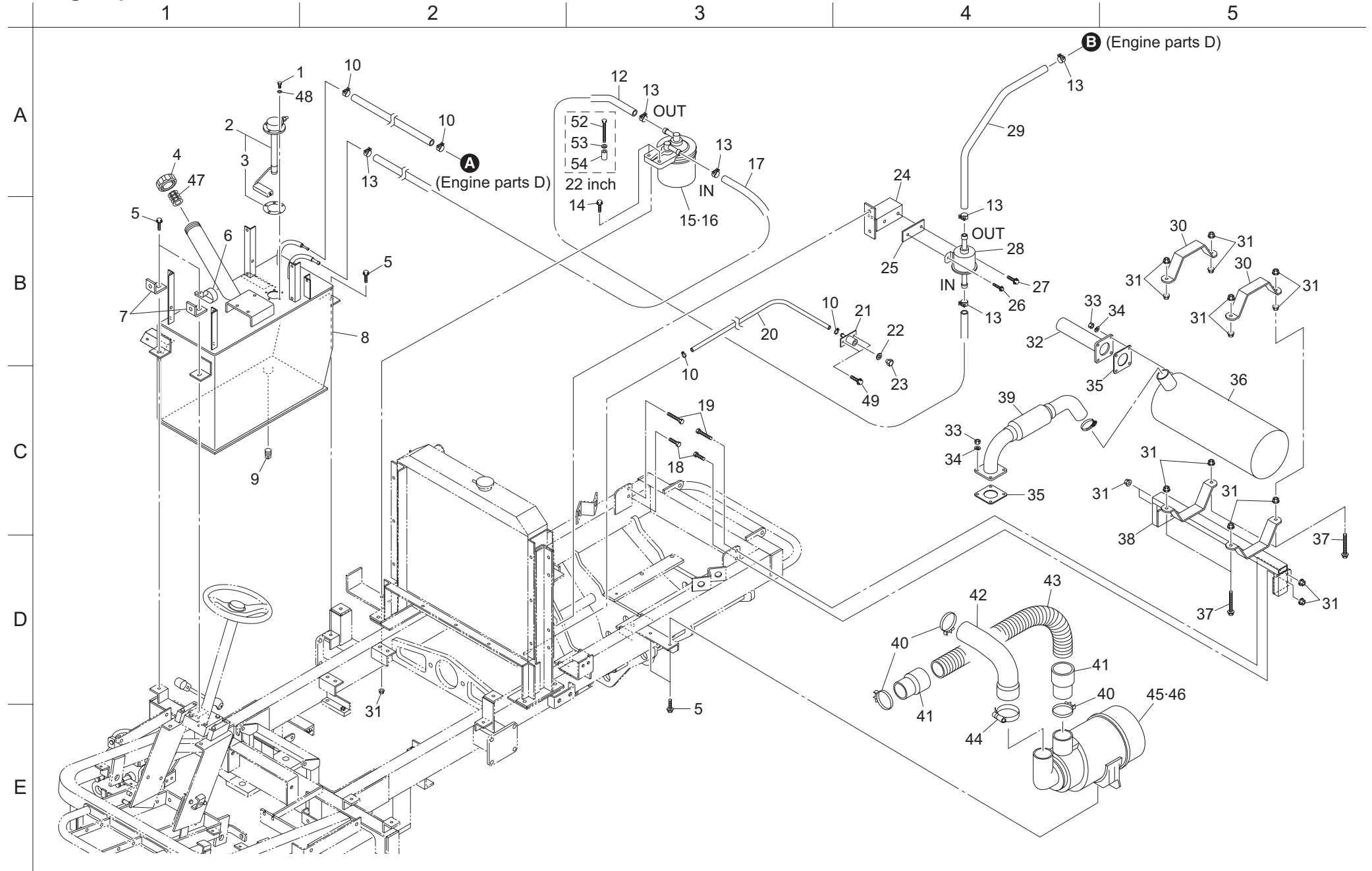
### 9. Engine parts B



Cat No.	Code No.	Part Name	Qty	Remark
9-71	LM2700-0573Z0	box cover label	1	
9-72	LM2700-0565Z0	relay wire C	1	
9-73	LM2700-0566Z0	relay wire A	1	
9-74	LM2700-0567Z0	relay wire B	1	
9-75	LM2700-1902Z0	harness	1	
9-76	LM2700-1901Z0	relay wire D	1	
9-77	K3681000010	relay CA1-DC12V-N	1	
9-78	K0100060002	6 nut	2	
9-79	K0000060452	6 bolt 45	1	

Cat No.	Code No.	Part Name	Qty	Remark

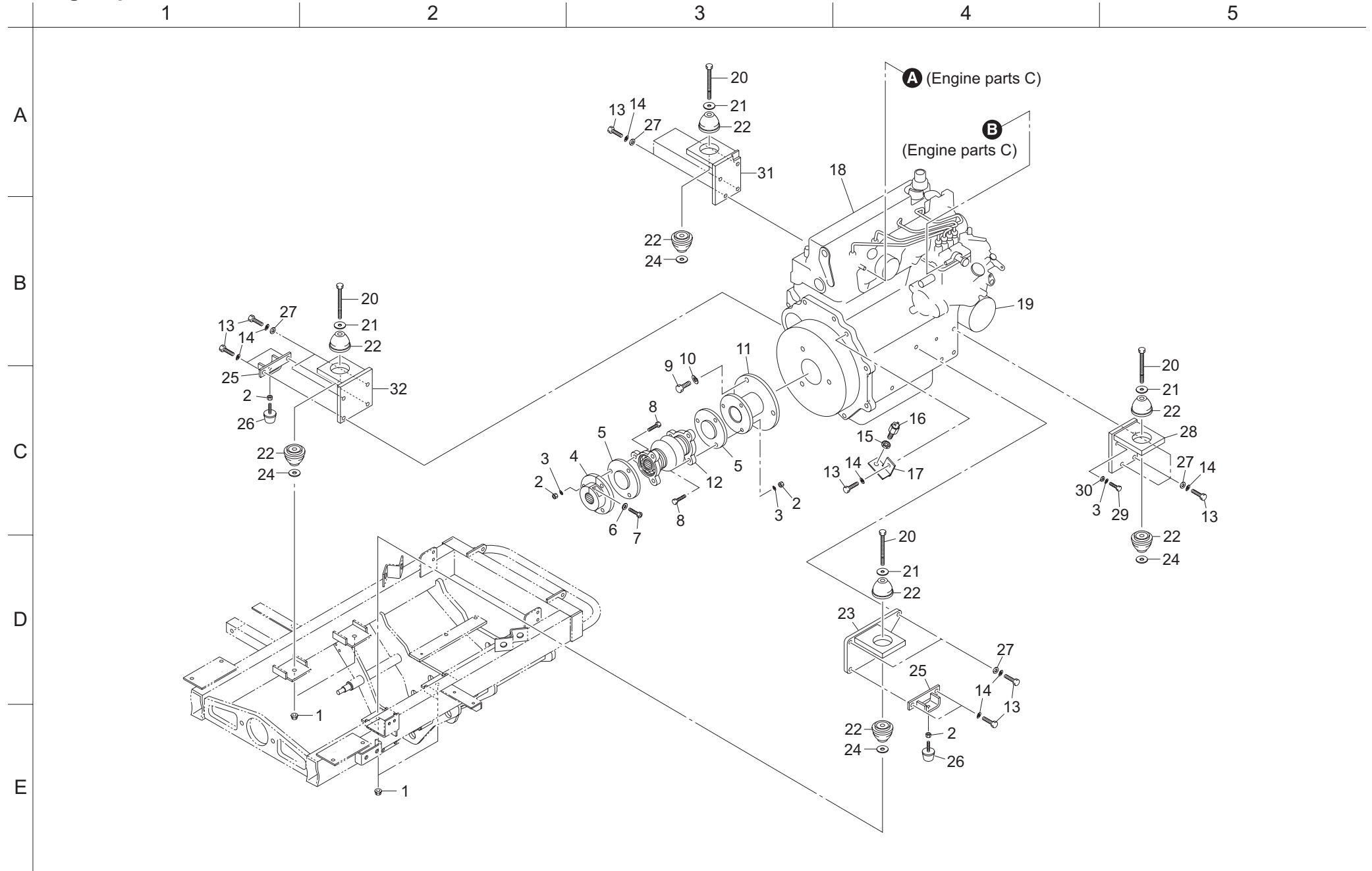
### 10. Engine parts C





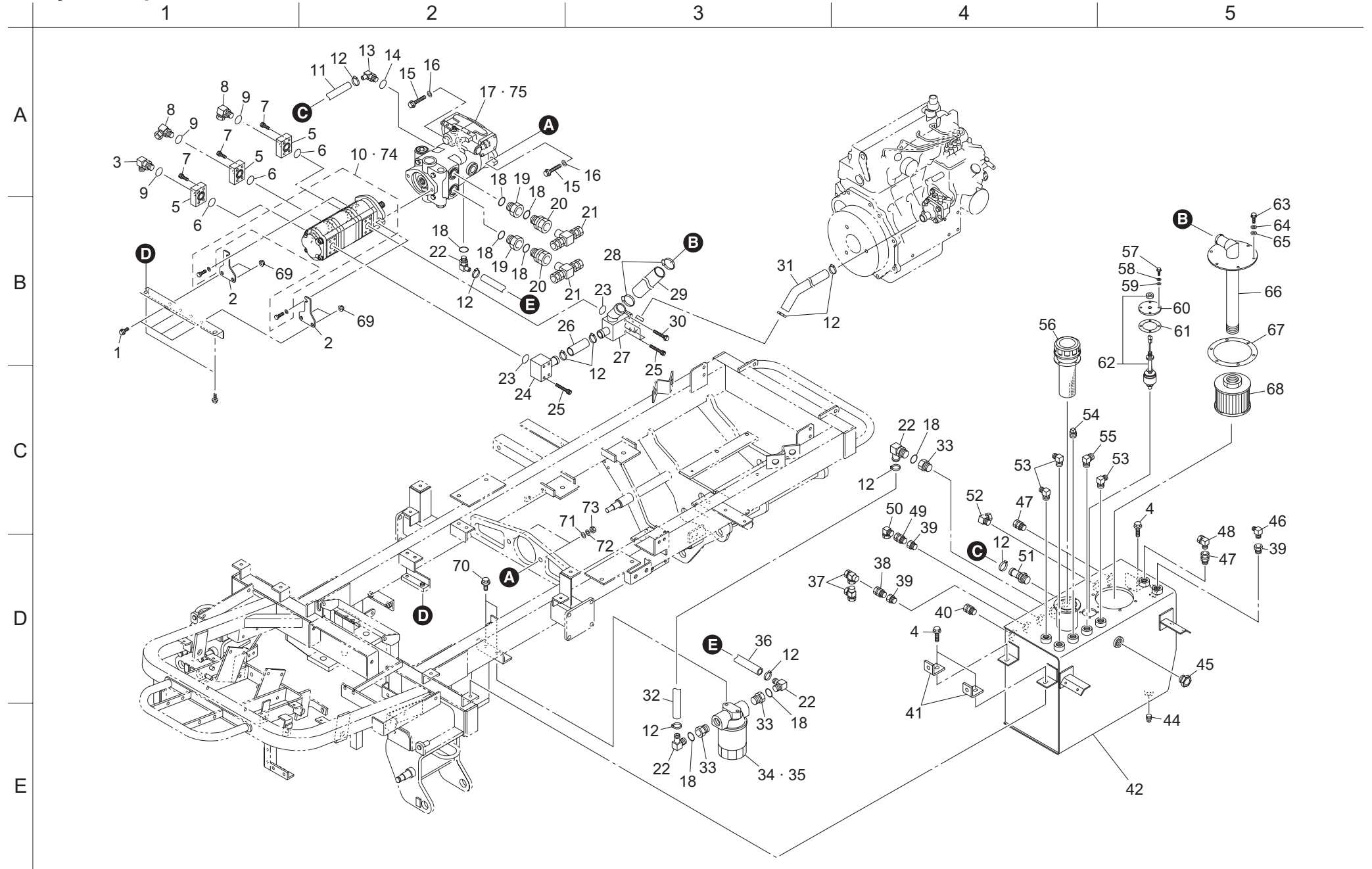


# 11. Engine parts D





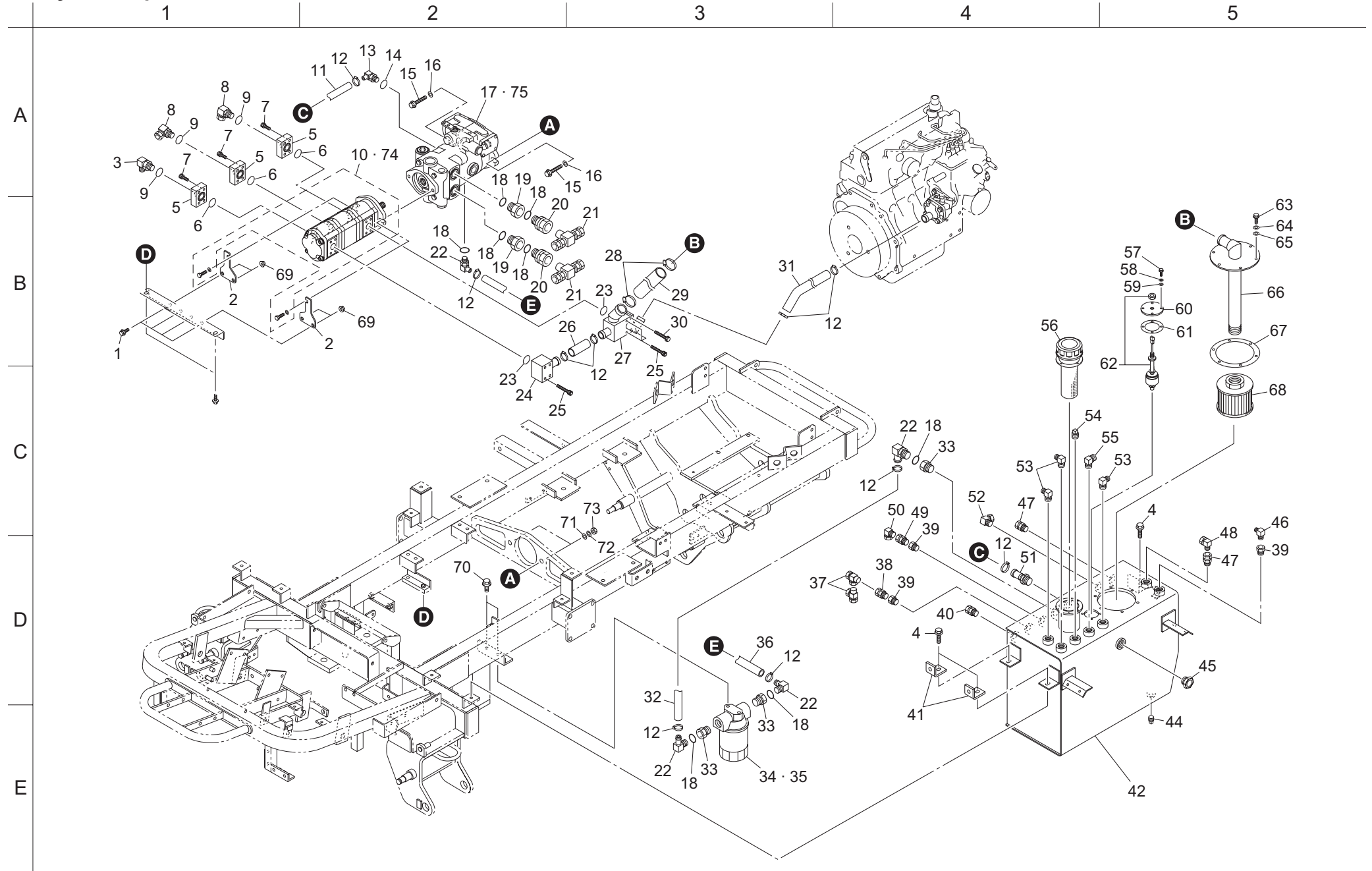
### 12. Hydraulic parts A



Cat No.	Code No.	Part Name	Qty	Remark
12-1	K0021080202	8 bolt with flange 20	4	
12-2	LM2700-0803ZD	pump support plate	2	
12-3	K3008000352-Y	90 different diameter elbow PF3/8 PF1/2	1	
12-4	K0021080152	8 bolt with flange 15	3	
12-5	LM2700-0830Z2-Y	discharge flange	3	
12-6	K0881028000	O-ring P28B	3	
12-7	K0024080251	8 bolt with hex. hole 25	12	
12-8	K3026412081-Y	elbow nipple KL012-040E	2	
12-9	K0881018000	O-ring P18B	3	
12-10	K3252000040	gear pump PBBB222	1	
12-11	LM2700-0870Z0	25 suction hose 630	1	
12-12	K4260000190	jubilee band 1	10	
12-13	K3008000302-Y	adjustable elbow FPD21941	1	
12-14	K0887009120	O-ring AS568-912	1	
12-15	K0013120501	12 heat-treated bolt 50	2	
12-16	K5073212302	3.2SPHC metal washer 1230	2	
12-17	K3244000030	piston pump 72400	1	
12-18	K0887009160	O-ring AS568-916	8	
12-19	K3008000632-Y	O-ring connector 4043-1 5/16-O	2	
12-20	K3008000622-Y	O-ring connector 1202-25-1 5/16	2	
12-21	K3027025001-Y	tee KTB25-000E	2	
12-22	K3008000312-Y	adjustable elbow FPD21939	4	
12-23	K0883025000	1AG-25 O-ring	2	
12-24	LM2700-0805Z2-Y	suction flange	1	
12-25	K0024080601	8 bolt with hex. hole 60	7	
12-26	LM2700-0867Z0	bypass hose	1	
12-27	LM2700-0804Z2-Y	common suction flange	1	
12-28	K4260000200	jubilee band 2A	2	
12-29	LM2700-0872Z0	38 suction hose 390	1	
12-30	K0061080602	8 bolt with flange 60	1	
12-31	LM2700-0871Z0	25 suction hose 780	1	
12-32	LM2700-0868Z0	25 suction hose 210	1	
12-33	K3008000642-Y	O-ring connector 4400-25-16	3	
12-34	K3410000020	cartridge filter CF-80-10U	1	
12-35	K3410000030	filter for the substitute F-913-1	1	

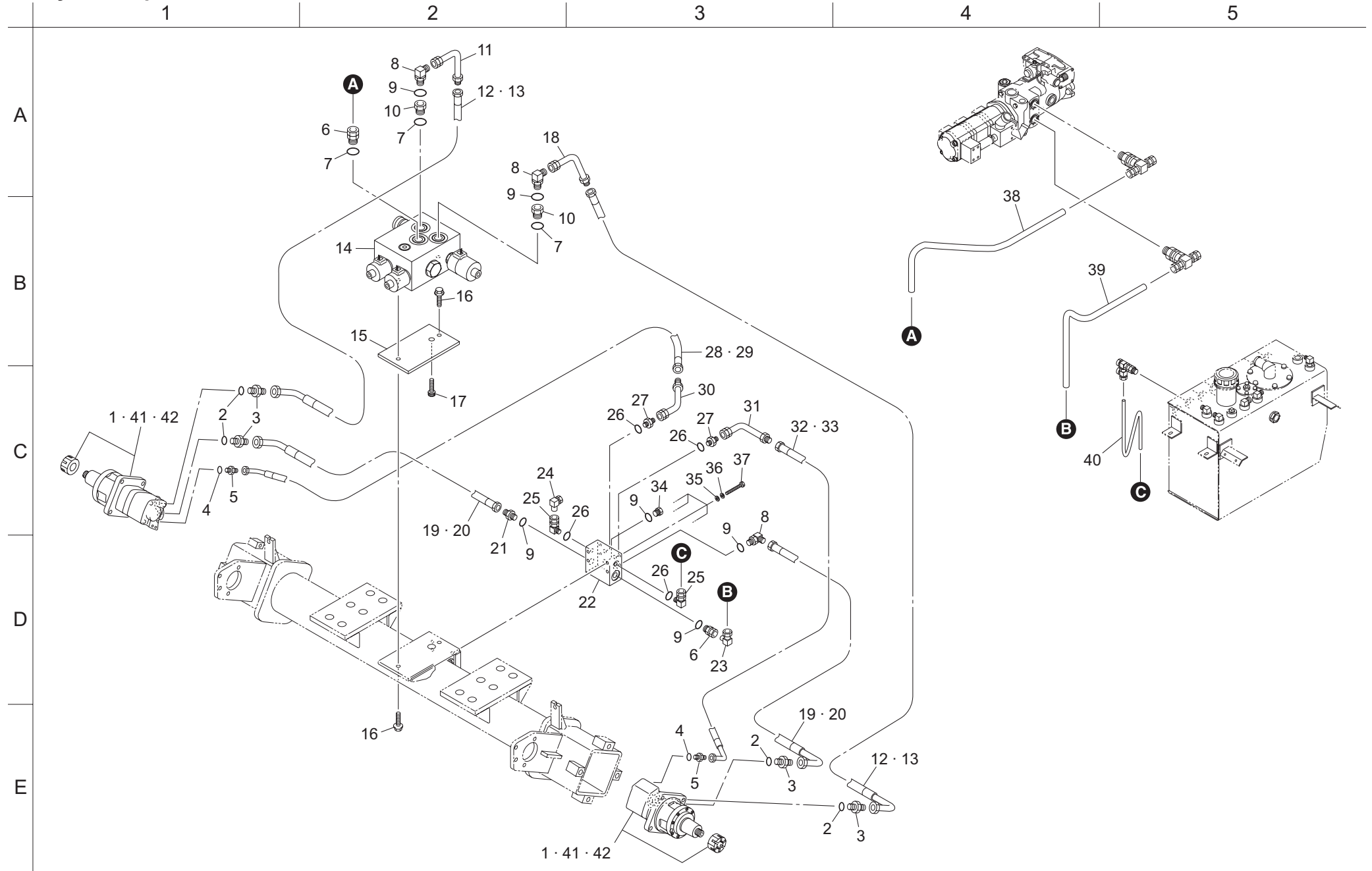
Cat No.	Code No.	Part Name	Qty	Remark
12-36	LM2700-0869Z0	25 suction hose 140	1	
12-37	K3027210001-Y	tee KTC10-000E	2	
12-38	K3026610061-Y	connector KCT10-030E	1	
12-39	K3020080601-Y	bushing BUT1/2×3/8	3	
12-40	K3026612081-Y	connector KCT12-040E	1	
12-41	LM2700-0950ZD	side cover mount plate	2	
12-42	LM2700-0801ZD-Y	hydraulic tank	1	
12-43				
12-44	K1421060002-Y	tapered plug with square head PT3/	1	
12-45	K1400000044-Y	PF3/4 oil quantity plug type M	1	
12-46	K3006000012-Y	different diameter elbow PT3/8 PF1/4	1	
12-47	K3026610081-Y	connector KCT10-040E	2	
12-48	K3027110001-Y	elbow KLC10-000E	1	
12-49	K3026612061-Y	connector KCT12-030E	1	
12-50	K3027112001-Y	elbow KLC12-000E	1	
12-51	K3009000132-Y	special adaptor MO-JS-25	1	
12-52	K3028012081-Y	elbow KLN12-040E	1	
12-53	K3006000022-Y	different diameter elbow PT1/2 PF3/8	3	
12-54	K1421080002-Y	tapered plug with square head PT1/2	1	
12-55	K3001120002-Y	90 elbow 1033-12	1	
12-56	K3400000030	refueling hole breather FAB-50	1	
12-57	K0000060202	6 bolt 20	4	
12-58	K0200060002	6S washer	4	
12-59	K5000060002	6 washer	4	
12-60	LM526--0809Z2-Y	oil level sensor mount plate	1	
12-61	LM526--0808Z0	packing	1	
12-62	K3720000130	level switch	1	
12-63	K0000080202	8 bolt 20	6	
12-64	K0200080002	8S washer	6	
12-65	K5000080002	8 washer	6	
12-66	LM2700-0802Z2-Y	suction hose attachment	1	
12-67	LM535E-0434Z0	suction port packing	1	
12-68	K3413000040	suction filter SFT-10-150W	1	
12-69	K0151080002	8 nut with flange	4	
12-70	K0021100202	10 bolt with flange 20	2	

### 12. Hydraulic parts A





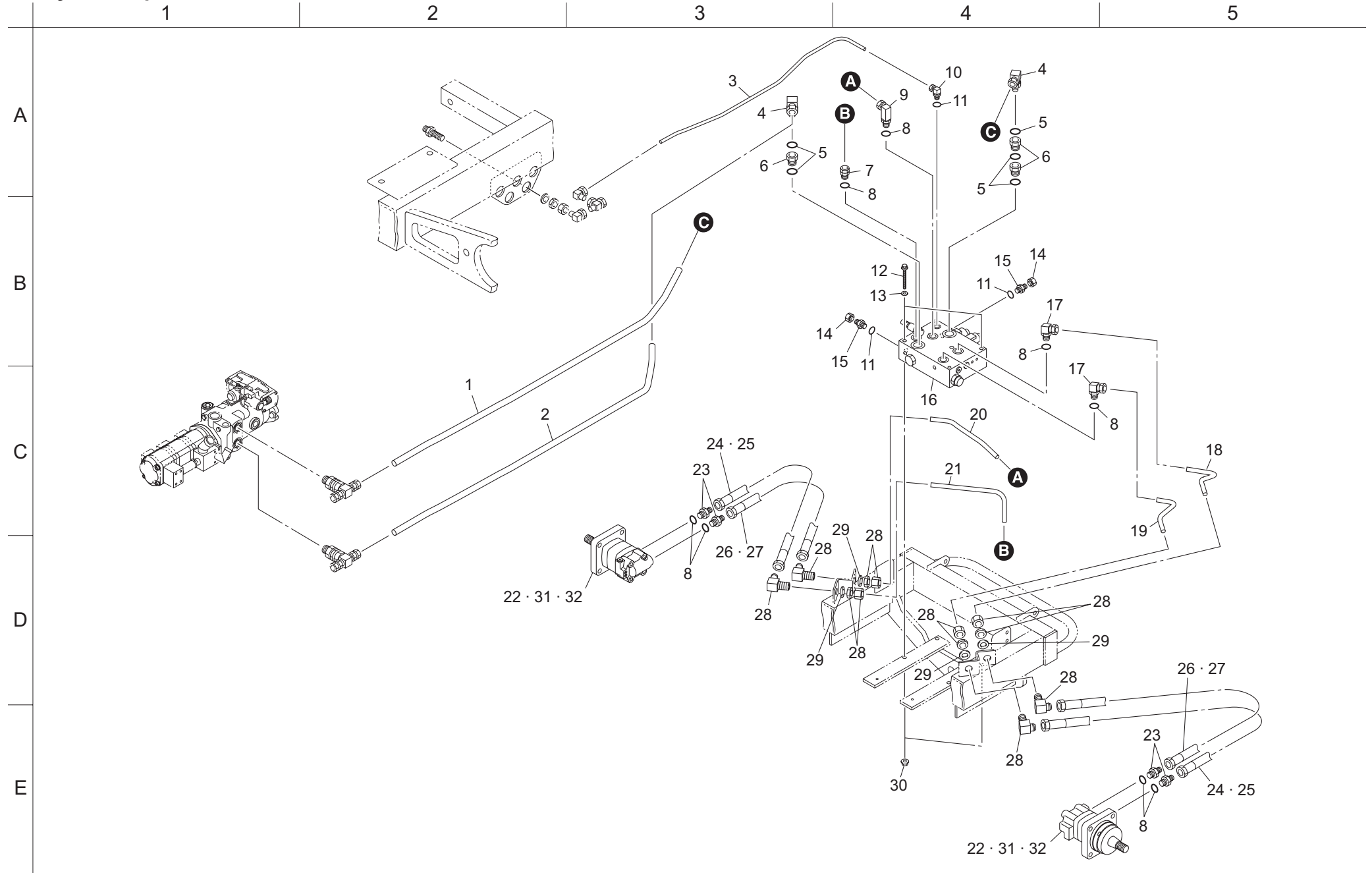
### 13. Hydraulic parts B





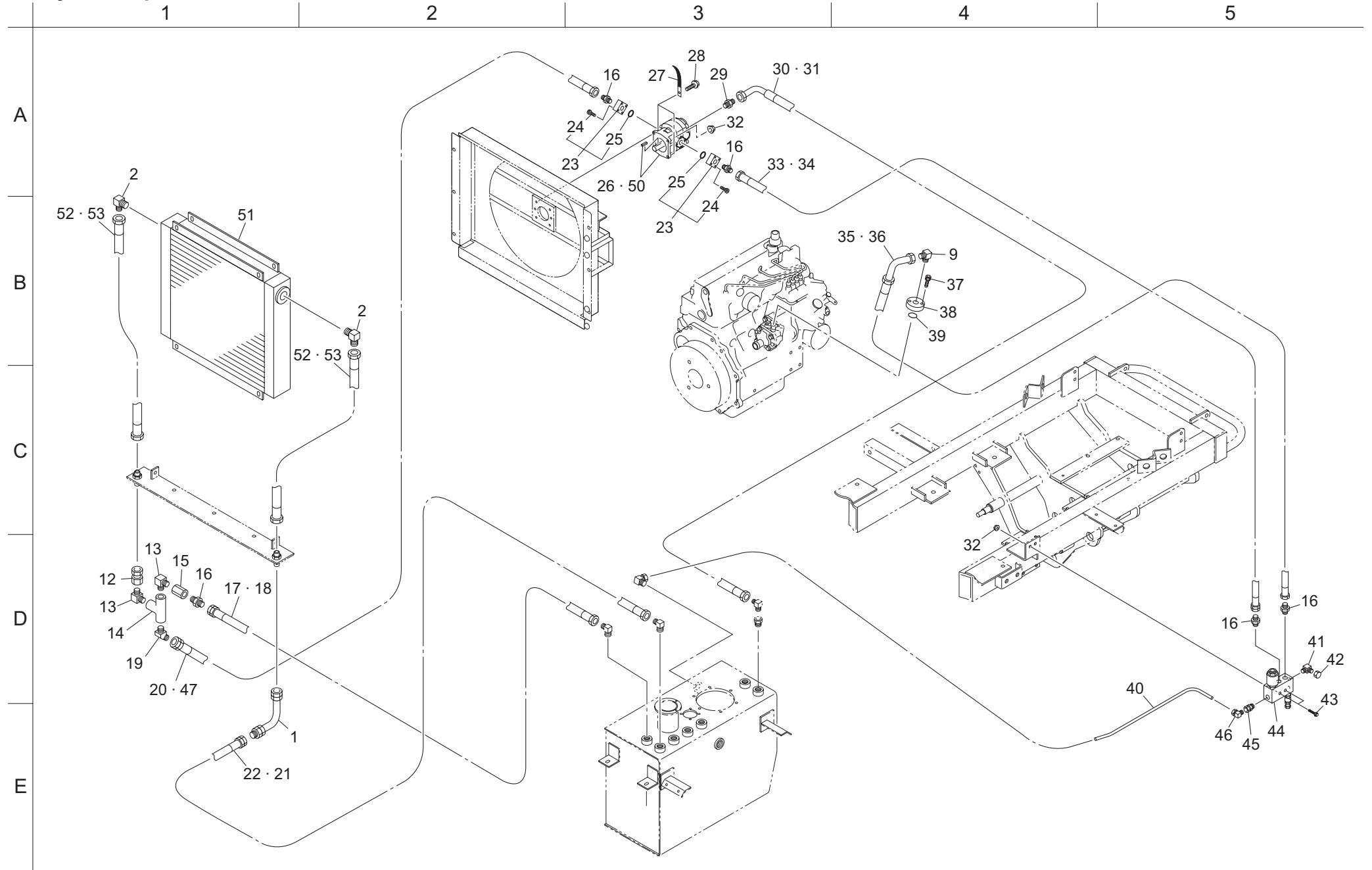


### 14. Hydraulic parts C





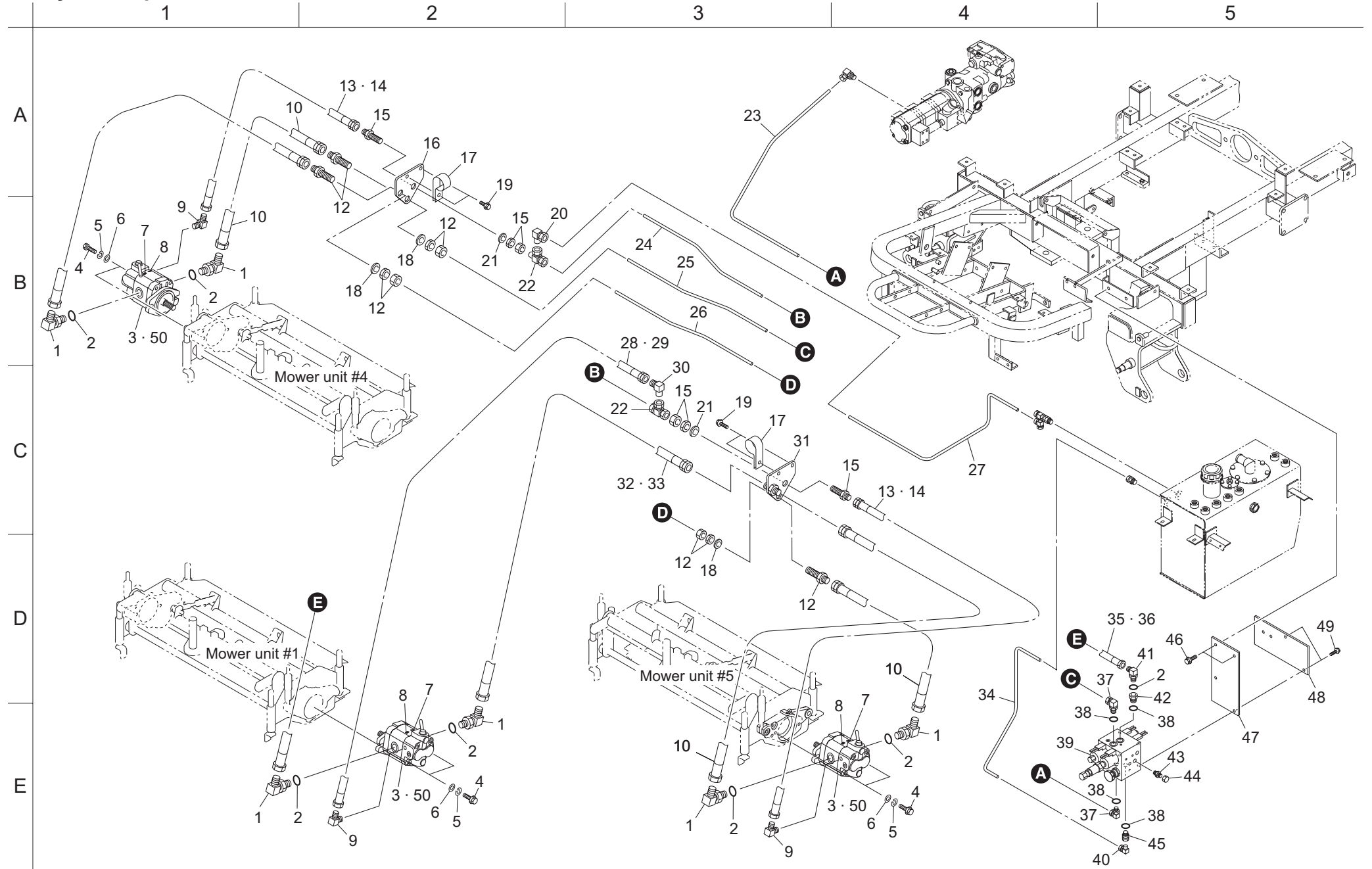
### 15. Hydraulic parts D



Cat No.	Code No.	Part Name	Qty	Remark
15-1	K3025069062-Y	pipe adaptor 069-06	1	
15-2	K3006000022-Y	different diameter elbow PT1/2PF3/8	2	
15-3				
15-4				
15-5				
15-6				
15-7				
15-8				
15-9	K3001090002-Y	90 elbow 1033-9	1	
15-10				
15-11				
15-12	K3008000712-Y	swivel connector 06	1	
15-13	K3006000072-Y	same diameter elbow PT3/8	2	
15-14	K3021060002-Y	screwed type tee TEFPT3/8	1	
15-15	K3340000030	in-line check valve 03-100	1	
15-16	K3000090002-Y	adaptor 1013-9	5	
15-17	K3100311050	WP35-9 hose 1-1050	1	
15-18	K3191009500	SP-15 coil tube 950	1	
15-19	K3003090002-Y	45 elbow 1035-9	1	
15-20	K3100310700	WP35-9 hose 1-700	1	
15-21	K3191008000	SP-15 coil tube 800	1	
15-22	K3100310900	WP35-9 hose 1-900	1	
15-23	K3281000010	Ø14.8 port flange type D	2	
15-24	K0024060301	6 bolt with hex. hole 30	2	
15-25	K0881022000	O-ring P22B	2	
15-26	K3281000230	gear motor MA7AD661	1	
15-27	K4281000020	8.5 harness clamp 80	1	
15-28	K0021080202	8 bolt with flange 20	2	
15-29	K3007000032-Y	different diameter adaptor PT1/8 PF1/4	1	
15-30	K3101231520	WP70-6 hose 3-1520	1	
15-31	K3190014200	SP-12 coil tube 1420	1	
15-32	K0151080002	8 nut with flange	4	
15-33	K3101310550	WP70-9 hose 1-550	1	
15-34	K3191004500	SP-15 coil tube 450	1	
15-35	K3101330360	WP70-9 hose 3-360	1	

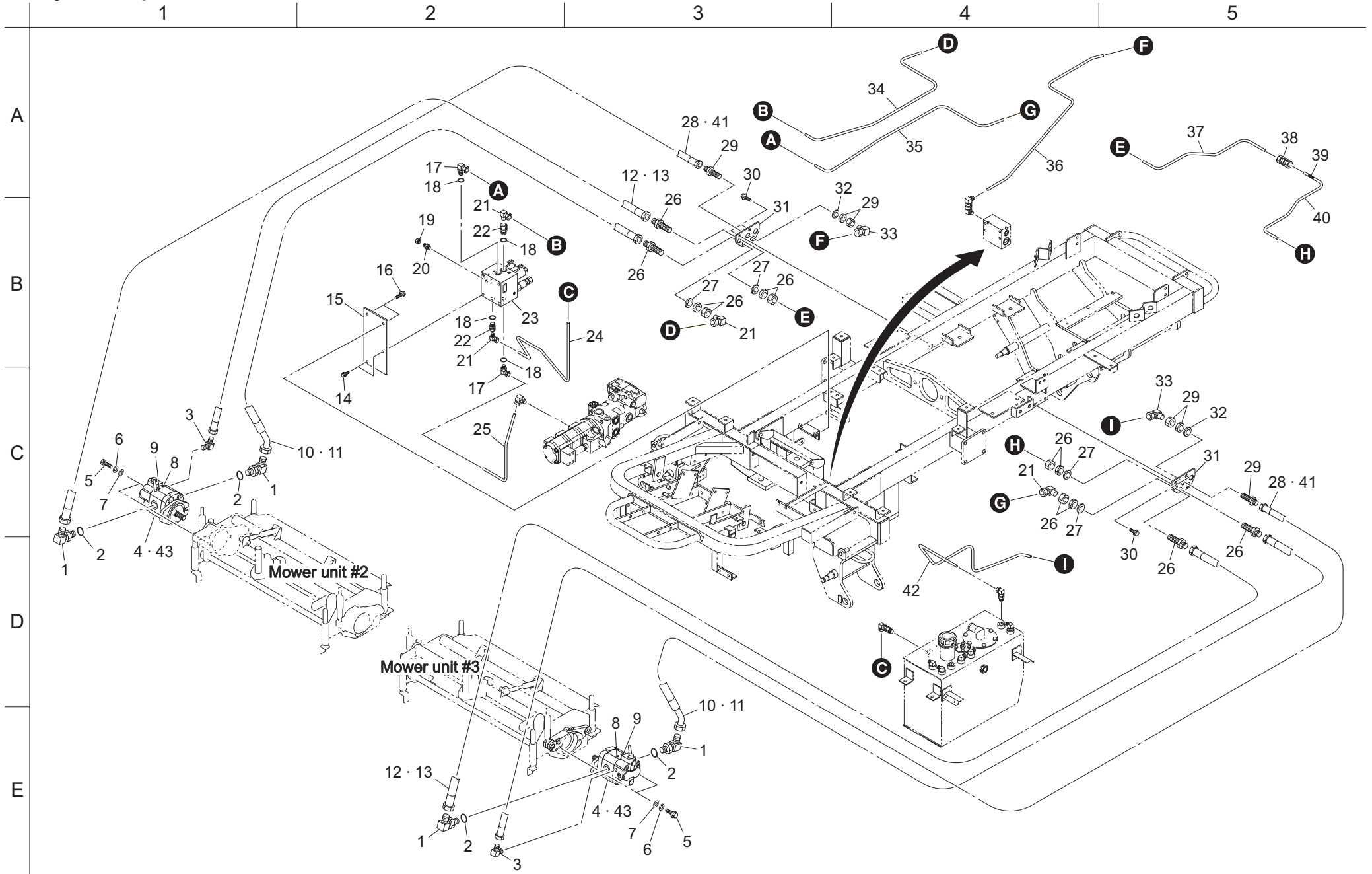
Cat No.	Code No.	Part Name	Qty	Remark
15-36	K3191002600	SP-15 coil tube 260	1	
15-37	K0024080251	8 bolt with hex. hole 25	2	
15-38	LM2700-0811Z2-Y	pump flange	1	
15-39	K0881020000	O-ring P20B	1	
15-40	LM2700-0851Z2-Y	V4127A tank pipe	1	
15-41	K3006000152-Y	different diameter elbow PT1/8 PF1/4	1	
15-42	K3008000482-Y	screw cap female PF1/4	1	
15-43	K0021080502	8 bolt with flange 50	2	
15-44	K3313000250	solenoid valve V4209	1	
15-45	K3026612061-Y	connector KCT12-030E	1	
15-46	K3027112001-Y	elbow KLC12-000E	1	
15-47	K3191006000	SP-15 coil tube 600	1	
15-48				
15-49				
15-50	Y61-25070	seal kit for MA gear motor 661	1	
15-51	LM2700-3838Z0	oil cooler	1	
15-52	K3100310380	WP35-9 hose 1-380	2	
15-53	K3191002800	SP-15 coil tube 280	2	

### 16. Hydraulic parts E





### 17. Hydraulic parts F

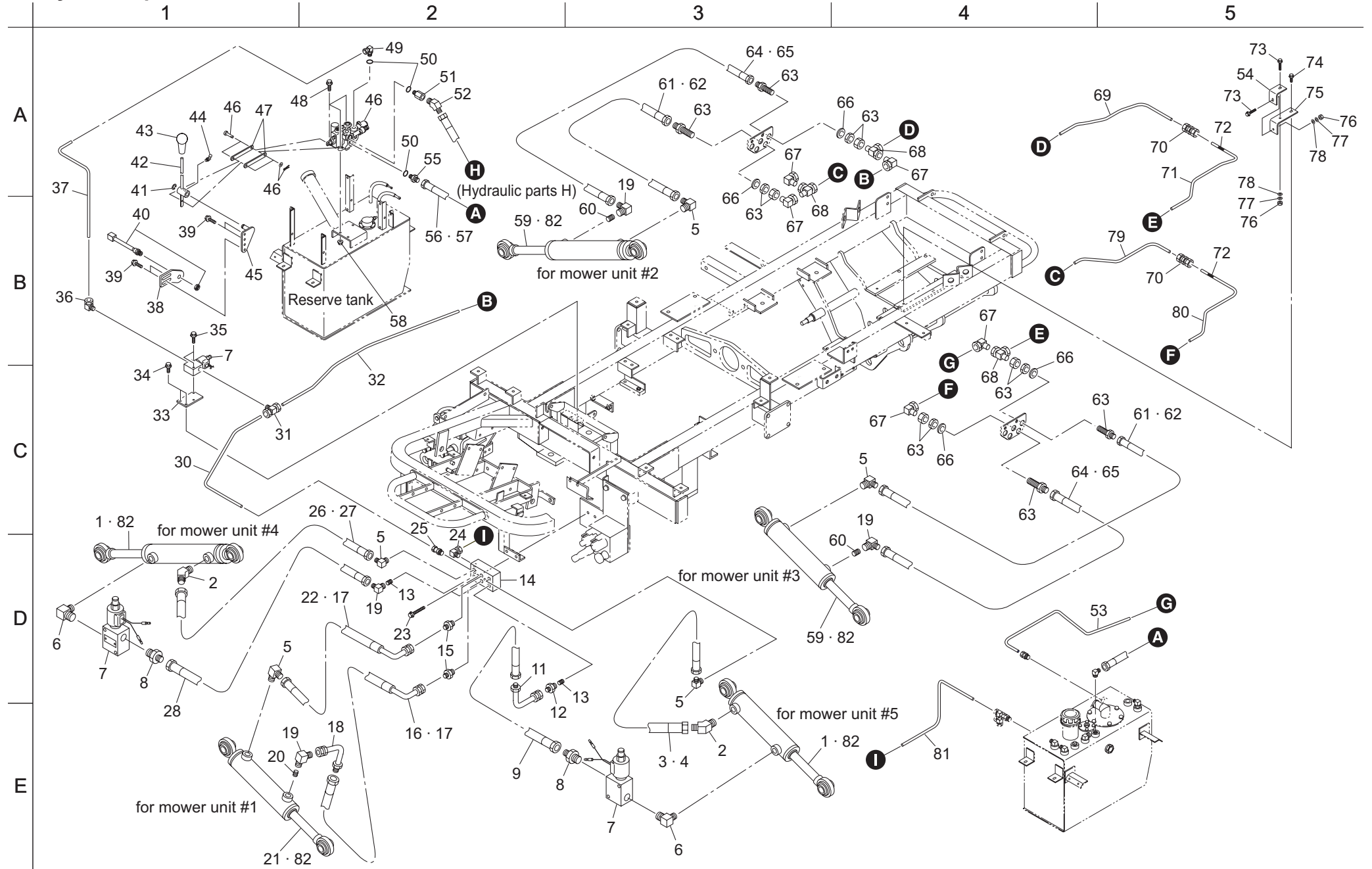




Cat No.	Code No.	Part Name	Qty	Remark
17-1	K3008000352-Y	90 different diameter elbow PT3/8 PF1/2	4	
17-2	K0881018000	O-ring P18B	4	
17-3	K3001060002-Y	90 elbow 1033-6	2	
17-4	K3280000230	gear motor MB4AK379	2	
17-5	K0000100302	10 bolt 30	4	
17-6	K0200100002	10S washer	4	
17-7	K5000100002	10 washer	4	
17-8	K4203001310	reel stop mark	2	
17-9	K4203001300	reel rotation mark	2	
17-10	K3103321020	WP140-9 hose 2-1020	2	
17-11	K3191009200	SP-15 coil tube 920	2	
17-12	K3103311000	WP140-9 hose 1-1000	2	
17-13	K3191009000	SP-15 coil tube 900	2	
17-14	K0021100202	10 bolt with flange 20	2	
17-15	LM2700-0813ZD	valve mount plate for mower unit #2#3	1	
17-16	K0021100302	10 bolt with flange 30	2	
17-17	K3026412061-Y	elbow nipple KL012-030E	2	
17-18	K0881014000	O-ring P14B	4	
17-19	K3008000482-Y	screw cap female PF1/4	1	
17-20	K3000060002-Y	adaptor 1013-6	1	
17-21	K3027112001-Y	elbow KLC12-000E	4	
17-22	K3026312061-Y	connector KCO12-030E	2	
17-23	K3313000280	solenoid valve V5259A COMP	1	
17-24	LM2700-3834Z2-Y	V5259A tank pipe	1	
17-25	LM2700-3836Z2-Y	V5259A pump pipe	1	
17-26	K3026912061-Y	bulkhead union KUE12-030E	4	
17-27	K0214180001	18 metal washer with conical disk spring 2L	4	
17-28	K3101211000	WP70-6 hose 1-1000	2	
17-29	K3026910041-Y	bulkhead union KUE10-020E	2	
17-30	K0021080202	8 bolt with flange 20	4	
17-31	LM2700-0812ZD	mower unit #2#3 relay plate	2	
17-32	K0214160001	16 metal washer with conical disk spring 2L	2	
17-33	K3027110001-Y	elbow KLC10-000E	2	
17-34	LM2700-3835Z2-Y	#2 motor OUT pipe	1	
17-35	LM2700-3837Z2-Y	#2 motor IN pipe	1	

Cat No.	Code No.	Part Name	Qty	Remark
17-36	LM2700-0841Z2-Y	#2 motor drain pipe	1	
17-37	LM2700-0862Z2-Y	#2 motor IN pipe	1	
17-38	K3028612001-Y	union KUA12-000E	1	
17-39	K3186000500	Ø10 tetoron braid hose 50	1	
17-40	LM2700-0839Z2-Y	#3 motor OUT pipe	1	
17-41	K3190009000	SP-12 coil tube 900	2	
17-42	LM2700-0843Z2-Y	#3 motor drain pipe	1	
17-43	YCG0038A	seal kit for MB gear motor 379	2	

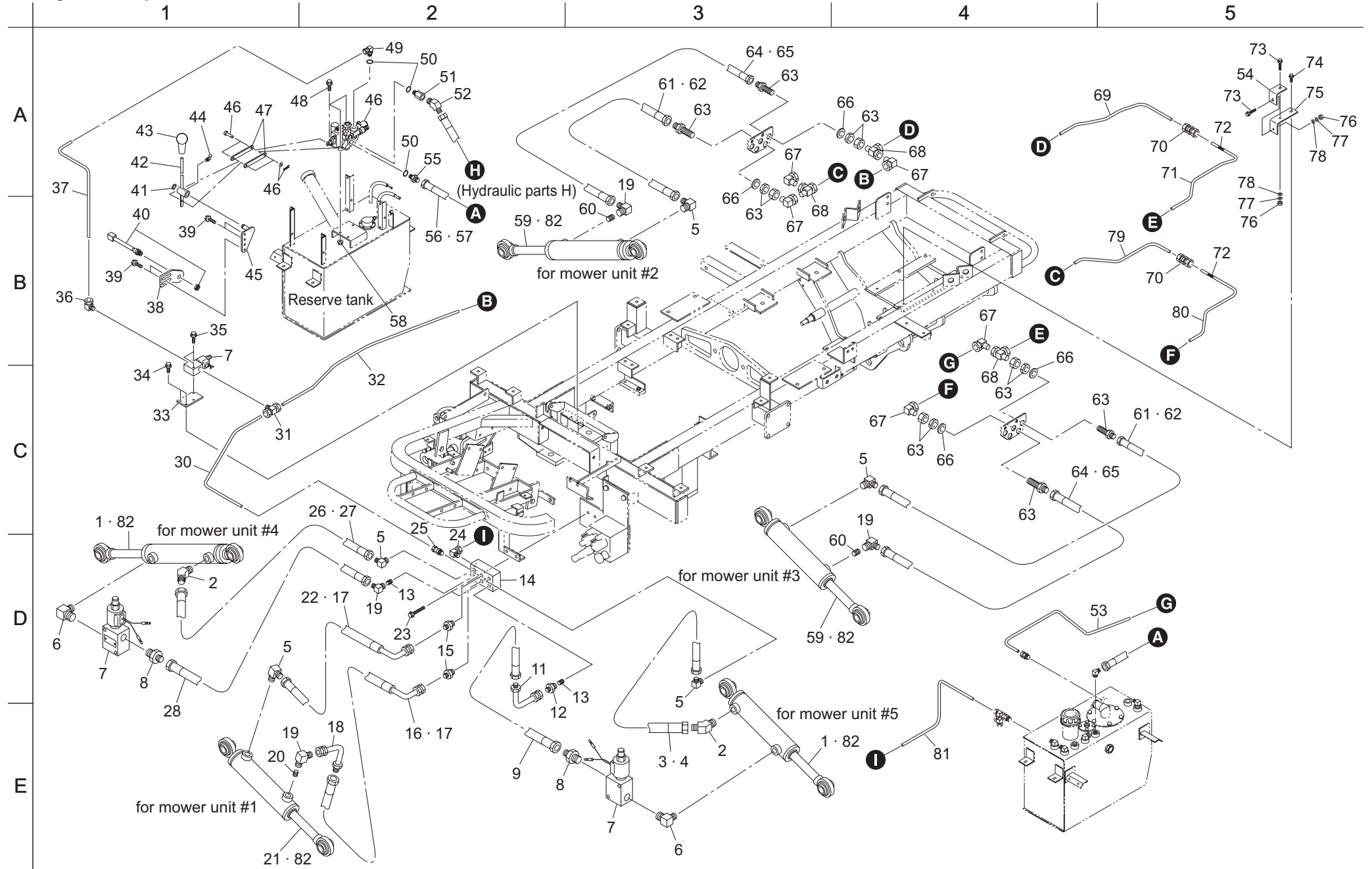
### 18. Hydraulic parts G



Cat No.	Code No.	Part Name	Qty	Remark
18-1	K3212000450	40-200 cylinder 387	2	
18-2	K3003060002-Y	45 elbow 1035-6	2	
18-3	K3101210650	WP70-6 hose 1-650	1	
18-4	K3190005500	SP-12 coil tube 550	1	
18-5	K3001060002-Y	90 elbow 1033-6	5	
18-6	K3006000032-Y	different diameter elbow PT1/4 PT3/8	2	
18-7	K3313000040	electro-check valve V4029	3	
18-8	K3009000042-Y	special adaptor PF1/4 PT3/8	2	
18-9	LM2700-3842Z0	WP105-6 hose 2-800	1	
18-10				
18-11	K302506L042-Y	pipe adaptor 06L-04	1	
18-12	K3009000272-Y	special adaptor 1013-6M6	1	
18-13	K0023000051-Y	6 hollow set screw 6-1.2	2	
18-14	LM2700-0834Z2-Y	cylinder manifold	1	
18-15	K3000060002-Y	adaptor 1013-6	2	
18-16	K3102230600	WP105-6 hose 3-600	1	
18-17	K3190005000	SP-12 coil tube 500	2	
18-18	K3025069042-Y	pipe adaptor 069-04	1	
18-19	K3029000252-Y	90 elbow 1033-6M6	4	
18-20	K0023000061-Y	6 hollow set screw 6-1.6	1	
18-21	K3212000440	40-138 cylinder 363	1	
18-22	K3101230600	WP70-6 hose 3-600	1	
18-23	K0021080502	8 bolt with flange 50	2	
18-24	K3028010041-Y	elbow KLN10-020E	1	
18-25	K3026610041-Y	connector KCT10-020E	1	
18-26	K3101211040	WP70-6 hose 1-1040	1	
18-27	K3190009400	SP-12 coil tube 940	1	
18-28	LM2700-3843Z0	WP105-6 hose 2-1100	1	
18-29				
18-30	LM2700-0847Z2-Y	#1.4-5 cylinder pipe	1	
18-31	K3028210061-Y	nipple-in-tee KTN10-030E	1	
18-32	LM2700-0840Z2-Y	#2 cylinder pipe	1	
18-33	LM2700-0865ZD	valve plate	1	
18-34	K0021080202	8 bolt with flange 20	2	
18-35	K0021080402	8 bolt with flange 40	2	

Cat No.	Code No.	Part Name	Qty	Remark
18-36	K3028012061-Y	elbow KLN12-030E	1	
18-37	LM2700-0856Z2-Y	cylinder pipe	1	
18-38	LM2700-0625ZD	switch mount plate	1	
18-39	K0021080152	8 bolt with flange 15	4	
18-40	LM2700-0557Z0	proximity sensor E2E-X5E	1	
18-41	K0400012002	stop ring E12	1	
18-42	LM2700-0874Z2	lever	1	
18-43	K1300000050	9 grip red 35.5	1	
18-44	K1440000030	B-shaped grease nipple	1	
18-45	LM2700-0873Z2	lever support	1	
18-46	K3300000190	stuck valve SV3-1191	1	
18-47	LM2700-0875Z2	joint plate	2	
18-48	K0021080302	8 bolt with flange 30	3	
18-49	K3026412061-Y	elbow nipple KL012-030E	1	
18-50	K0881018000	O-ring P18B	3	
18-51	K3029000072-Y	special bushing PF3/8 PT3/8	1	
18-52	K3003090002-Y	45 elbow 1035-9	1	
18-53	LM2700-0842Z2-Y	#3 cylinder drain pipe	1	
18-54	LM2700-0864ZD	pipe retaining tool B	1	
18-55	K3009000172-Y	special adaptor PF3/8 PTF1/2	1	
18-56	K3100421050	WP35-12 hose 2-1050	1	
18-57	K3191009500	SP-15 coil tube 950	1	
18-58	K0151080002	8 nut with flange	3	
18-59	K3212000430	40-90 cylinder 307	2	
18-60	K0023000011-Y	6 hollow set screw 6-1	2	
18-61	K3102220460	WP105-6 hose 2-460	2	
18-62	K3190003600	SP-12 coil tube 360	2	
18-63	K3026910041-Y	bulkhead union KUE10-020E	4	
18-64	K3102230430	WP105-6 hose 3-430	2	
18-65	K3190003300	SP-12 coil tube 330	2	
18-66	K0214160001	16 metal washer with conical disk spring 2L	4	
18-67	K3027110001-Y	elbow KLC10-000E	5	
18-68	K3027210001-Y	tee KTC10-000E	3	
18-69	LM2700-0837Z2-Y	#2.3 cylinder drain pipe	1	
18-70	K3028610001-Y	union KUA10-000E	2	

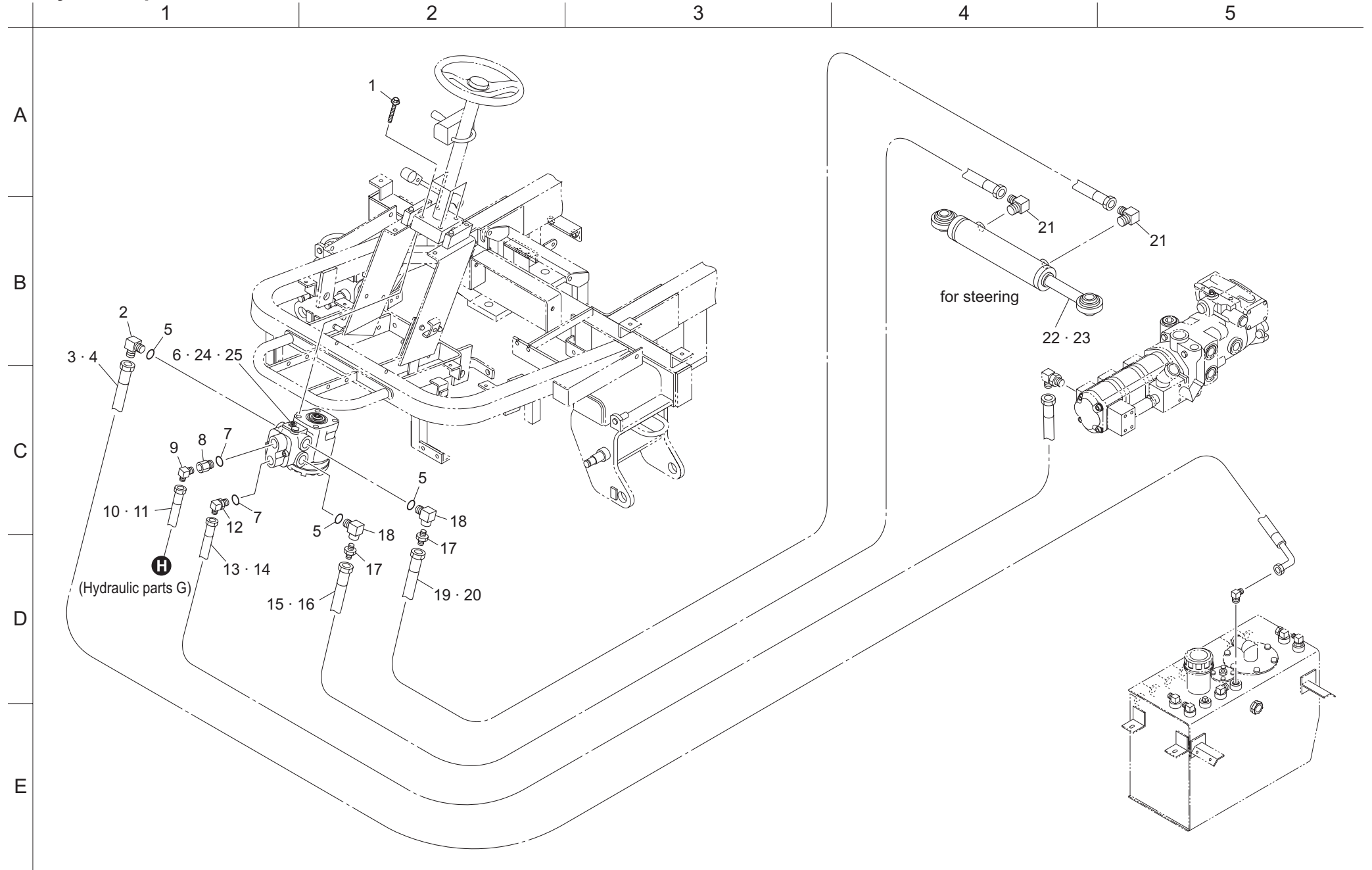
### 18. Hydraulic parts G



Cat No.	Code No.	Part Name	Qty	Remark
18-71	LM2700-0861Z2-Y	#3 cylinder drain pipe	1	
18-72	K3186000500	Ø10 tetoron braid hose 50	2	
18-73	K0021060302	6 bolt with flange 30	2	
18-74	K0021060152	6 bolt with flange 15	1	
18-75	LM2700-0863ZD	pipe retaining tool A	1	
18-76	K0100060002	6 nut	2	
18-77	K0200060002	6S washer	2	
18-78	K5000060002	6 washer	2	
18-79	LM2700-0838Z2-Y	#2·3 cylinder pipe	1	
18-80	LM2700-0860Z2-Y	#3 cylinder pipe	1	
18-81	LM2700-0848Z2-Y	#1·4·5 cylinder drain pipe	1	
18-82	Y80209-00301	cylinder seal kit	2	

Cat No.	Code No.	Part Name	Qty	Remark

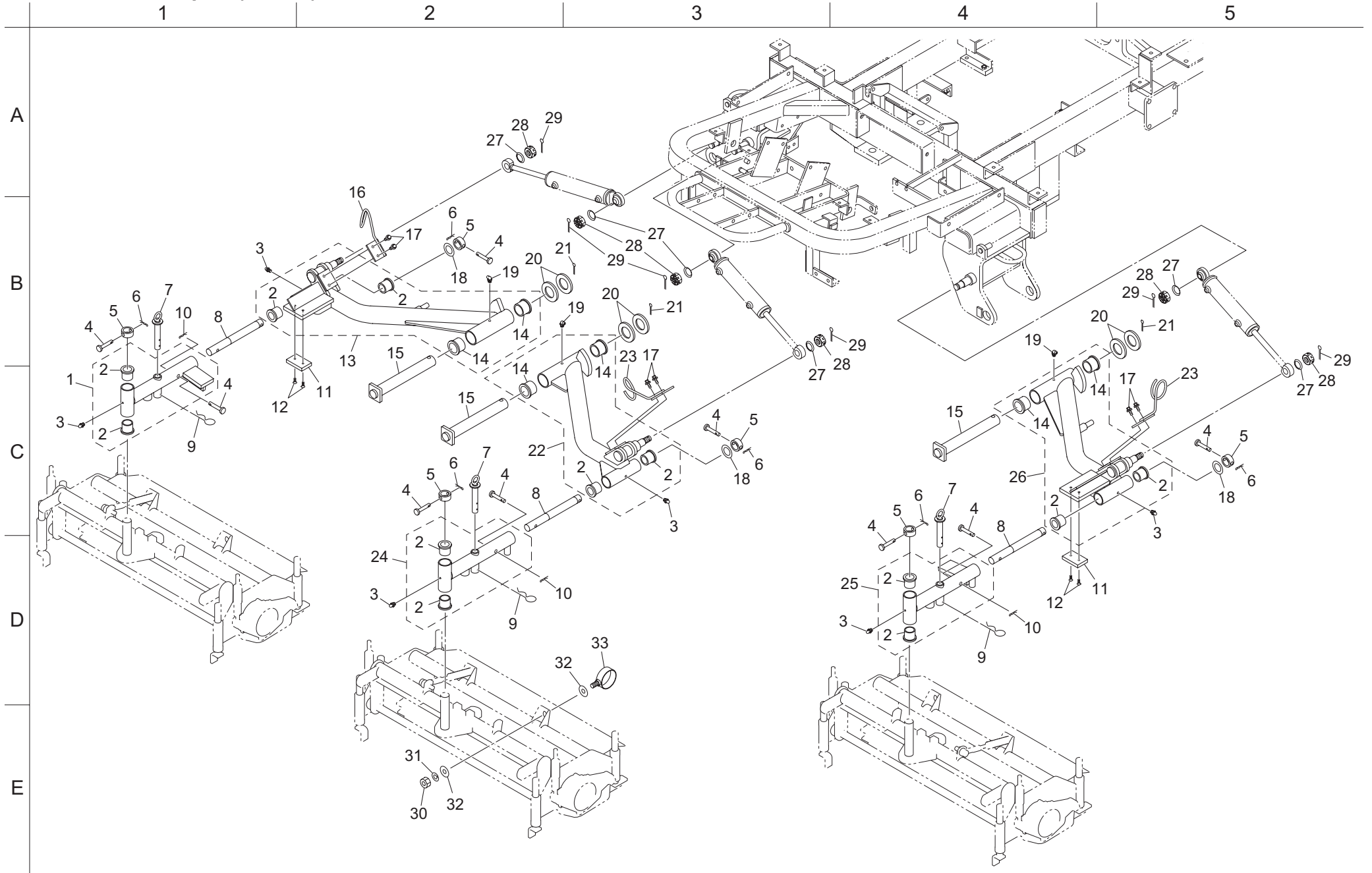
### 19. Hydraulic parts H



Cat No.	Code No.	Part Name	Qty	Remark
19-1	K0061100502	10 bolt with flange 50	4	
19-2	K3008000032-Y	90 adjuster elbow 1086-9	1	
19-3	K3100331720	WP35-9 hose 3-1720	1	
19-4	K3191016200	SP-15 coil tube 1620	1	
19-5	K0881014000	O-ring P14B	3	
19-6	K3294000120	orbit roll LC-D1-E	1	
19-7	K0881018000	O-ring P18B	2	
19-8	K3029000042-Y	special bushing PF1/2 PT3/8	1	
19-9	K3001090002-Y	90 elbow 1033-9	1	
19-10	K3102311500	WP105-9 hose 1-1500	1	
19-11	K3191014000	SP-15 coil tube 1400	1	
19-12	K3008000352-Y	90 different diameter elbow PF3/8 PF1/2	1	
19-13	K3102311100	WP105-9 hose 1-1100	1	
19-14	K3191010000	SP-15 coil tube 1000	1	
19-15	K3101213000	WP70-6 hose 1-3000	1	
19-16	K3190029000	SP-12 coil tube 2900	1	
19-17	K3000060002-Y	adaptor 1013-6	2	
19-18	K3008000082-Y	90 adjuster elbow PF3/8 PT1/4	2	
19-19	K3101213210	WP70-6 hose 1-3210	1	
19-20	K3190031100	SP-12 coil tube 3110	1	
19-21	K3001060002-Y	90 elbow 1033-6	2	
19-22	K3212000420	40-187 cylinder 393	1	
19-23	Y80209-00301	cylinder seal kit	1	
19-24	YBK0039A	orbit roll VP valve seal kit	1	
19-25	YBA0271A	orbit roll seal kit	1	

Cat No.	Code No.	Part Name	Qty	Remark

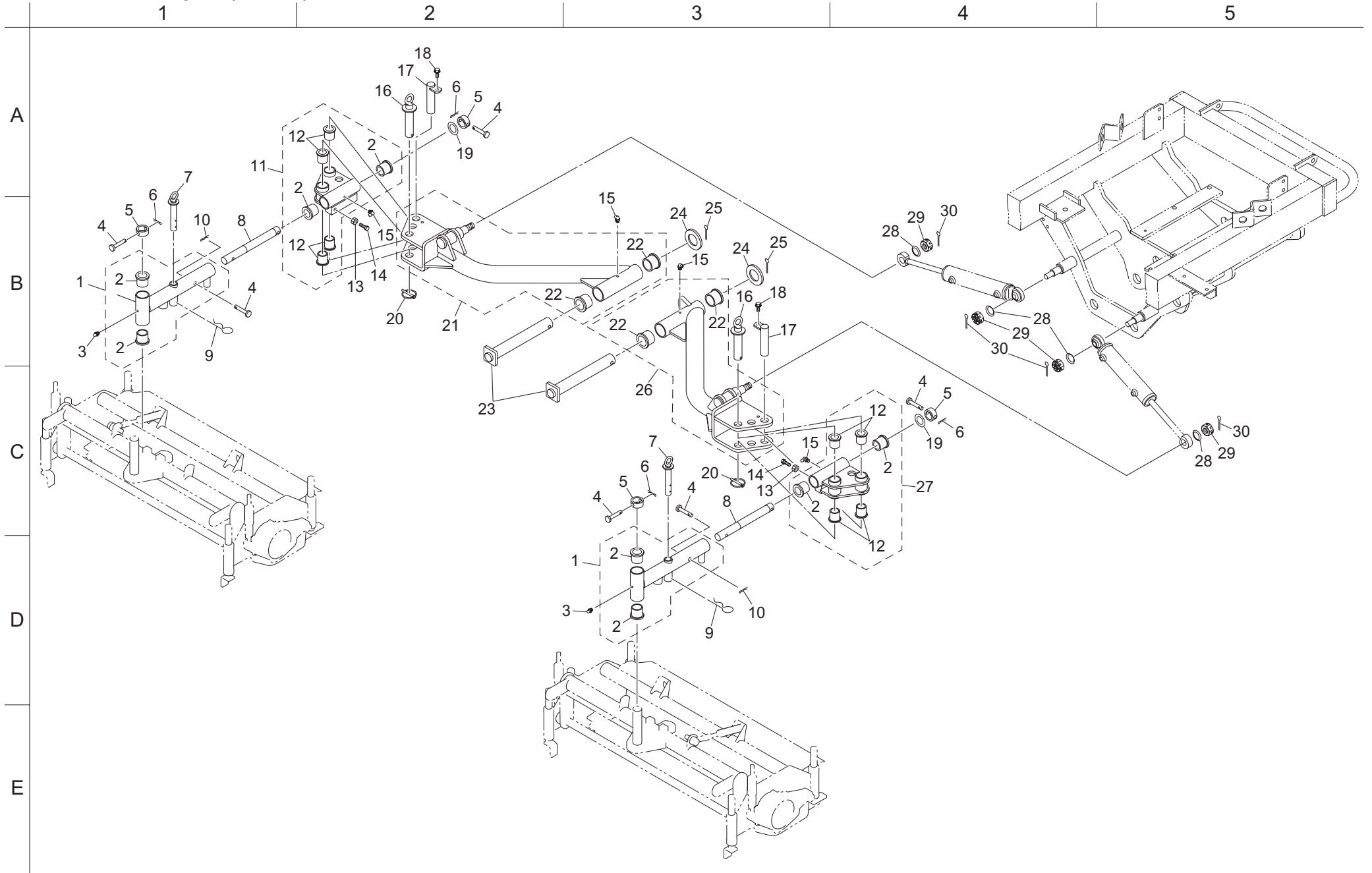
20A. Lift arm front part (26inch)





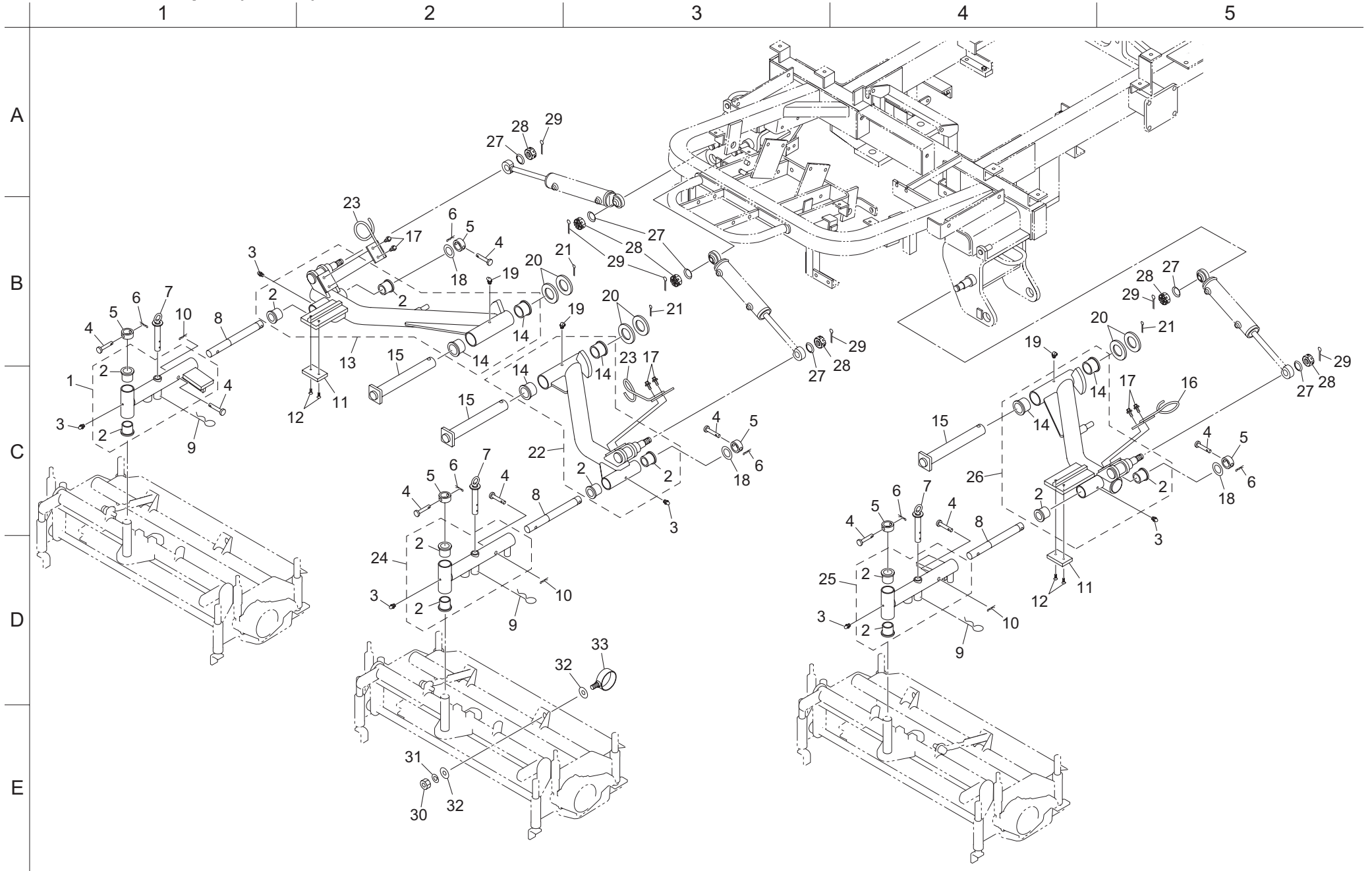


21A. Lift arm rear part (26inch)



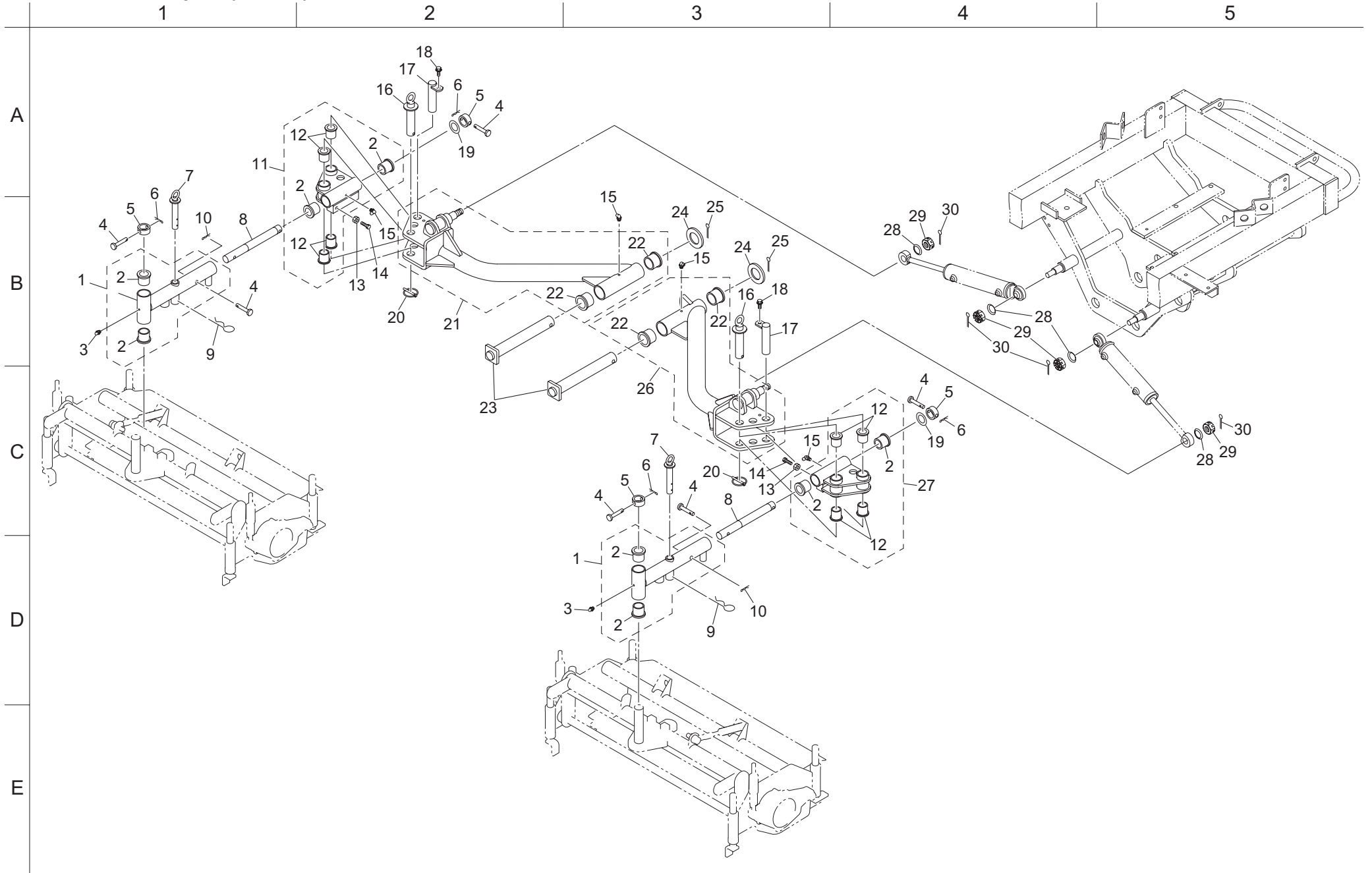


20B. Lift arm front part (22inch)



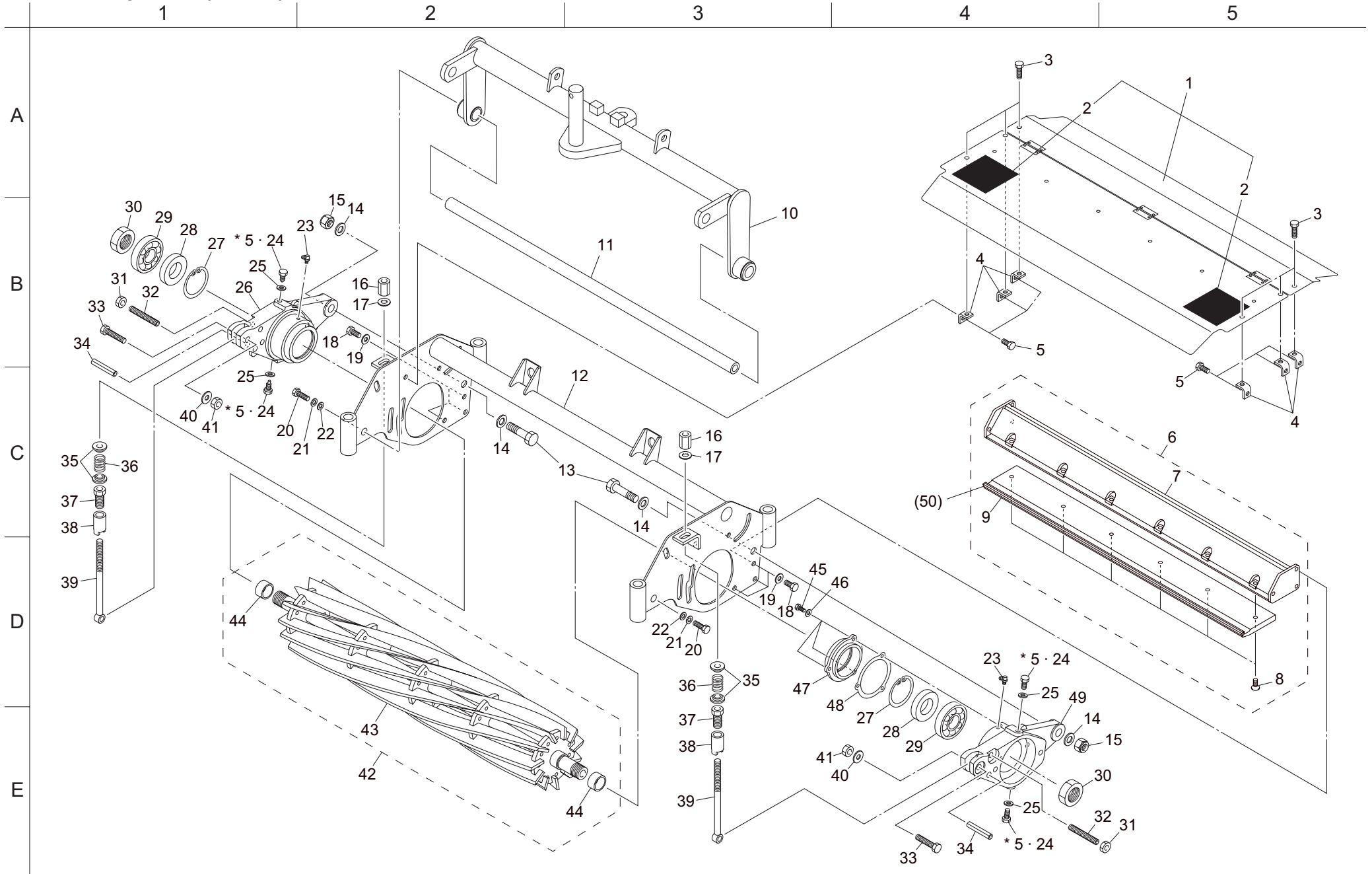


21B. Lift arm rear part (22inch)





22A. Mower parts A (26inch)

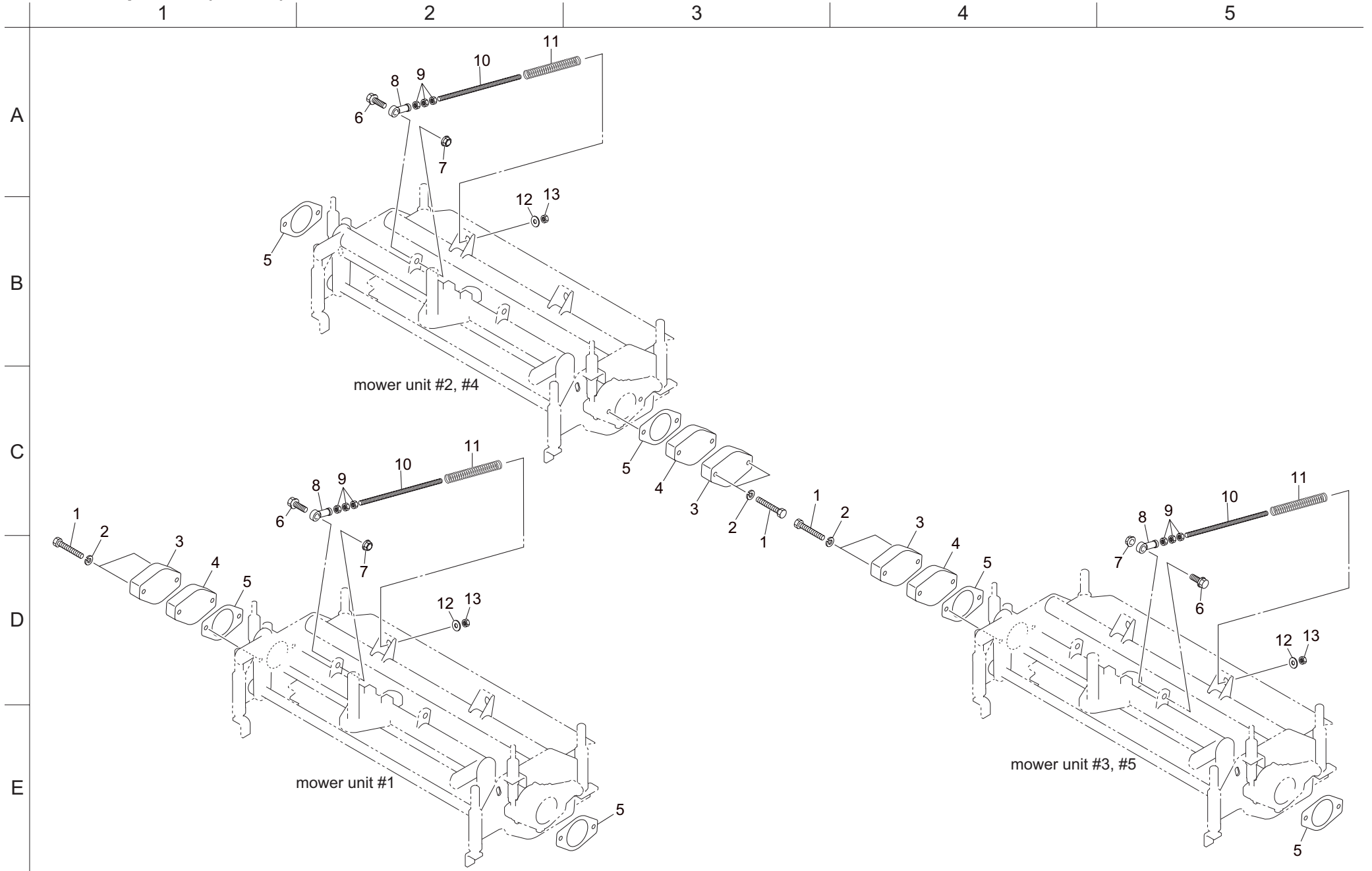




Cat No.	Code No.	Part Name	Qty	Remark
22A-1	LM2700-0194Z0	reel cover COMP	5	
22A-2	K4205001600	cutting hazard label	10	
22A-3	K0021080152	8 bolt with flange 15	30	
22A-4	LM2700-0139ZR	cover mount plate	30	
* 22A-5	K0021080102	8 bolt with flange 10(1pc)	40	Motor side
22A-6	LM2700-0117Z0	bed knife mount base 732 Ass'y	5	
22A-7	LM2700-0116ZR	bed knife mount base 732	5	
22A-8	K0071000092	10 heat-treated countersunk head screw 20	30	
22A-9	K2510000030	7 bed knife 85-662	5	
22A-10	LM2700-0144ZR	mower arm	5	
22A-11	LM2700-0140Z8	front stay	5	
22A-12	LM2700-0141AR	mower frame	5	
22A-13	LM2700-0118Z2	support shaft bolt	10	
22A-14	K5012314252	2.3SPCC metal washer 1425	20	
22A-15	K0145140002	14U nut P1.5	10	
22A-16	LM56G--0506Z2	receiving blade adjusting screw	10	
22A-17	K5051010200	1C5191P metal washer 1020	10	
22A-18	K0008100202	10 small bolt 20	30	
22A-19	K0214100002	10 metal washer with conical disk spring 2L	30	
22A-20	K0002140252	14 bolt 25P1.5	10	
22A-21	K0200140002	14S washer	10	
22A-22	K5000140002	14 washer	10	
22A-23	K1440000020	C-shaped grease nipple	10	
* 22A-24	LM2700-0146Z2	stop bolt	10	Groomer side
22A-25	K0922080000	seal washer 8WF	20	
22A-26	LM2700-0149Z0	reel housing (R)	5	
22A-27	K0402052001	stop ring R52	10	
22A-28	K0823552110	oil seal MHSA355211	10	
22A-29	K0610062060	bearing 6206RD	10	
22A-30	LM2700-0142Z2	30 small special nut P2	10	
22A-31	K0102100002	10 nut 3	10	
22A-32	K0028100601	10 stainless hollow set screw 60	10	
22A-33	K0003100502	10 bolt 50	10	
22A-34	K0320100501	10 spring pin 50	10	
22A-35	K6206000052	spring receiver	20	

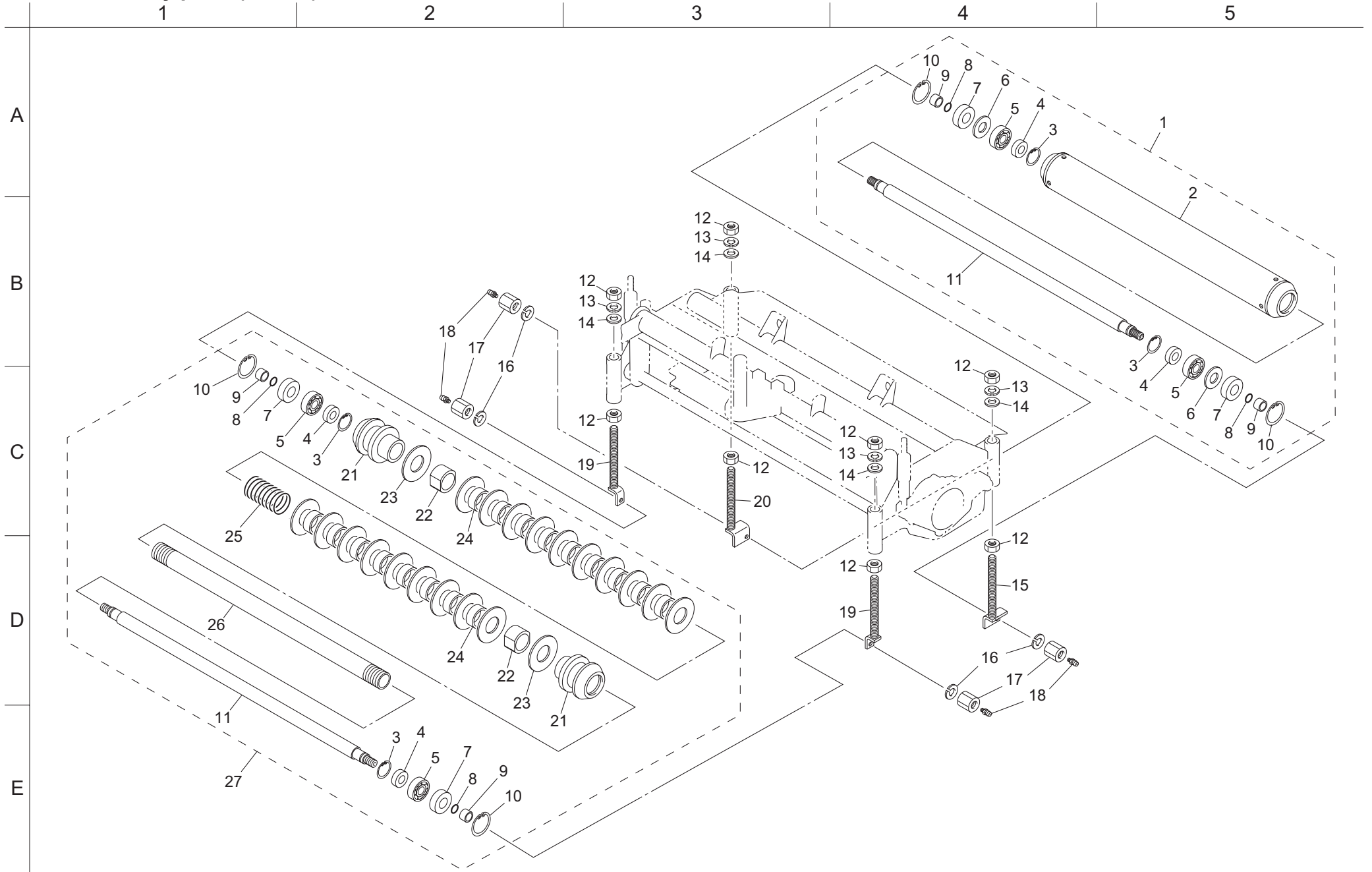
Cat No.	Code No.	Part Name	Qty	Remark
22A-36	K1000000618	5 compression spring 2535	10	
22A-37	LM535E-1335Z2	pipe with cutter adjusting screw	10	
22A-38	LM535E-1334Z2	adjusting pipe	10	
22A-39	K6511000042	cutter adjusting bolt 170	10	
22A-30	K5012310252	2.3SPCC metal washer 1025	10	
22A-41	K0144100002	10U nut	10	
22A-42	LM2700-0192Z0	reel cutter Ass'y	5	
22A-43	K282700090R	reel cutter 660-9	5	
22A-44	K0737000080	multi-purpose inner ring LRTZ303518	10	
22A-45	K0000060152	6 bolt 15	15	
22A-46	K0212060002	6 metal washer with conical disk spring 1L	15	
22A-47	LM2700-0150Z0	housing cover	5	
22A-48	LM2700-0130Z0	reel packing	5	
22A-49	LM2700-0148Z0	reel housing (L)	5	
22A-50	K2510000250	5 bed knife 87-662	5	Option

23A. Mower parts B (26inch)





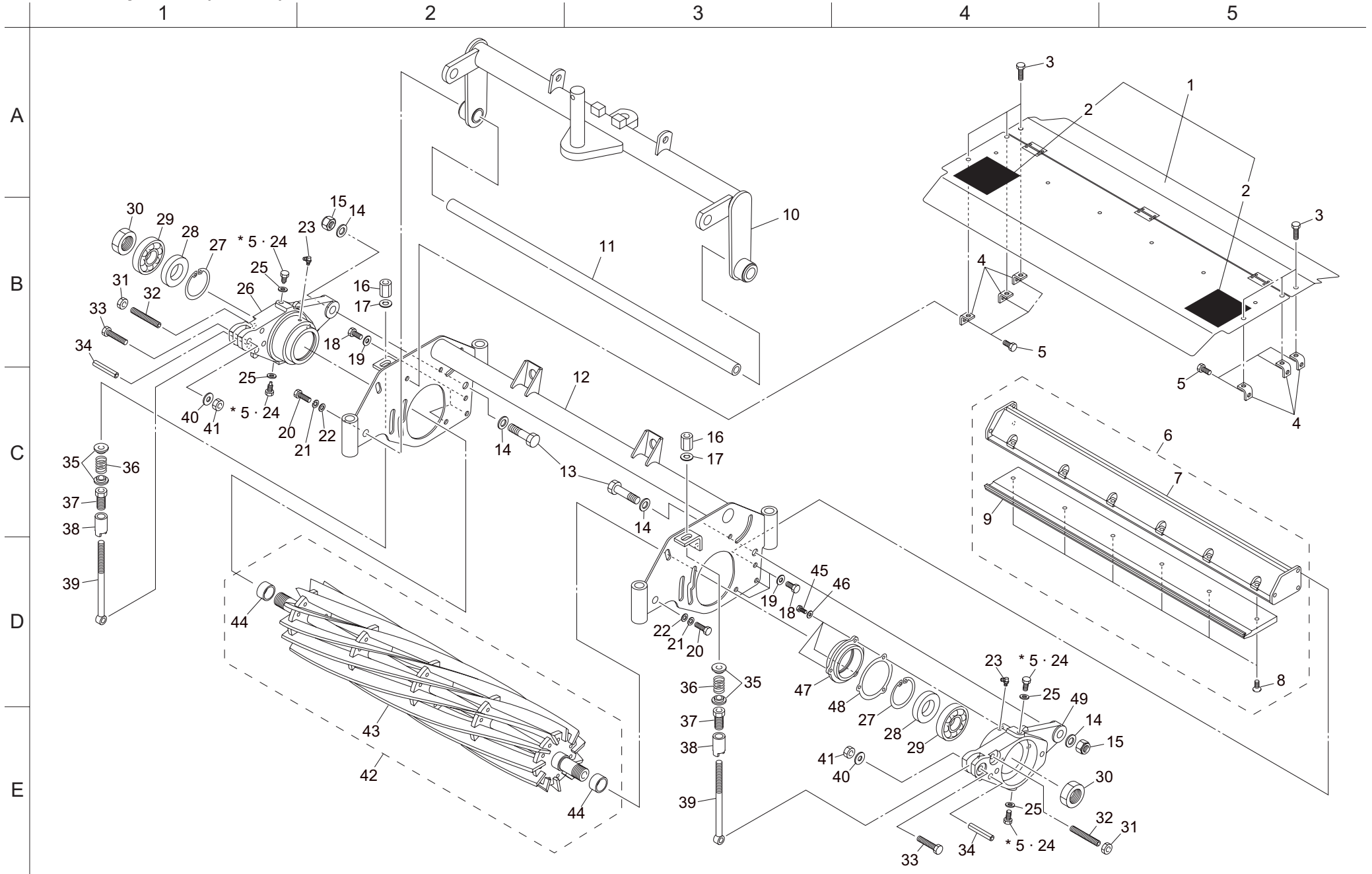
24A. Roller Ass'y parts (26inch)



Cat No.	Code No.	Part Name	Qty	Remark
24A-1	LM2700-0193Z0	roller Ass'y	5	
24A-2	LM2700-0154ZD	76.2 roller 696	5	
24A-3	K0402035001	stop ring R35	20	
24A-4	K0822235080	oil seal MHSA22358	20	
24A-5	K0600063030	bearing 6303	20	
24A-6	K5090000802	3.2SPHC metal washer 4047	10	
24A-7	K0822547080	oil seal MHSA25478	20	
24A-8	K0885015000	O-ring S15	20	
24A-9	K6219000540	17SUS collar 2516	20	
24A-10	K0402047001	stop ring R47	20	
24A-11	LM2700-0152Z0	22 roller shaft 749	10	
24A-12	K0108180002	18 nut 3P1.5	40	
24A-13	K0200180002	18S washer	20	
24A-14	K5012018282	2SPCC metal washer 1828	20	
24A-15	LM2700-0162Z2	cutting height adjusting screw (L)	5	
24A-16	K0200140002	14S washer	20	
24A-17	K0149142302	14-22 high nut 30	20	
24A-18	K1440000010	grease nipple	20	
24A-19	LM2700-0137Z2	cutting height adjusting screw	10	
24A-20	LM2700-0161Z2	cutting height adjusting screw (R)	5	
24A-21	LM2700-0153ZD	roller housing 75.5	10	
24A-22	LM2700-0122Z2	lock collar	10	
24A-23	LM2700-0155Z0	4A2017P metal washer 40.580	105	
24A-24	K6219000550	41 collar 4521.8	85	
24A-25	K100000073D	5 compression spring 5175	5	
24A-26	LM2700-0151Z2	34.2 roller pipe 40607.2	5	
24A-27	LM2700-0190Z0	slotted roller Ass'y	5	

Cat No.	Code No.	Part Name	Qty	Remark

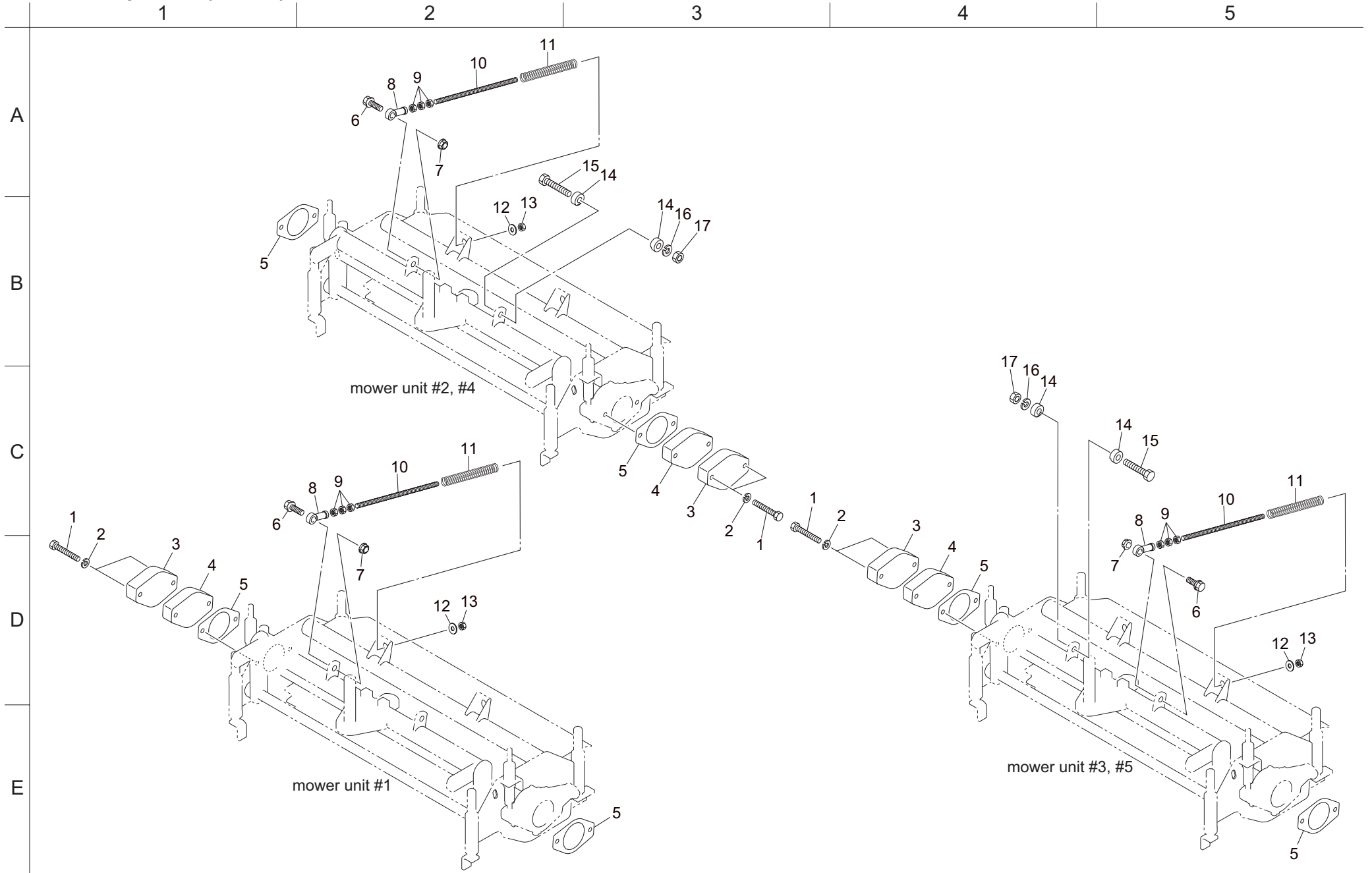
22B. Mower parts A (22inch)



Cat No.	Code No.	Part Name	Qty	Remark
22B-1	LM2700-2113Z0	22 reel cover COMP	5	
22B-2	K4205001600	cutting hazard label	10	
22B-3	K0021080152	8 bolt with flange 15	30	
22B-4	LM2700-0139ZR	cover mount plate	30	
* 22B-5	K0021080102	8 bolt with flange 10(1pc)	40	Motor side
22B-6	LM2700-2101Z0	bed knife mount base 629.5 Ass'y	5	
22B-7	LM2700-2102ZR	bed knife mount base 629.5	5	
22B-8	K0071000092	10 heat-treated countersunk head screw 20	30	
22B-9	K2510000280	5 bed knife 87-559	5	
22B-10	LM2700-2103ZR	22 mower arm	5	
22B-11	LM2700-2106Z8	22 front stay	5	
22B-12	LM2700-2104ZR	22 mower frame	5	
22B-13	LM2700-0118Z2	support shaft bolt	10	
22B-14	K5012314252	2.3SPCC metal washer 1425	20	
22B-15	K0145140002	14U nut P1.5	10	
22B-16	LM56G--0506Z2	receiving blade adjusting screw	10	
22B-17	K5051010200	1C5191P metal washer 1020	10	
22B-18	K0008100202	10 small bolt 20	30	
22B-19	K0214100002	10 metal washer with conical disk spring 2L	30	
22B-20	K0002140252	14 bolt 25P1.5	10	
22B-21	K0200140002	14S washer	10	
22B-22	K5000140002	14 washer	10	
22B-23	K1440000020	C-shaped grease nipple	10	
* 22B-24	LM2700-0146Z2	stop bolt	10	Groomer side
22B-25	K0922080000	seal washer 8WF	20	
22B-26	LM2700-0149Z0	reel housing (R)	5	
22B-27	K0402052001	stop ring R52	10	
22B-28	K0823552110	oil seal MHSA355211	10	
22B-29	K0610062060	bearing 6206RD	10	
22B-30	LM2700-0142Z2	30 small special nut P2	10	
22B-31	K0102100002	10 nut 3	10	
22B-32	K0028100601	10 stainless hollow set screw 60	10	
22B-33	K0003100502	10 bolt 50	10	
22B-34	K0320100501	10 spring pin 50	10	
22B-35	K6206000052	spring receiver	20	

Cat No.	Code No.	Part Name	Qty	Remark
22B-36	K1000000618	5 compression spring 2535	10	
22B-37	LM535E-1335Z2	pipe with cutter adjusting screw	10	
22B-38	LM535E-1334Z2	adjusting pipe	10	
22B-39	K6511000042	cutter adjusting bolt 170	10	
22B-40	K5012310252	2.3SPCC metal washer 1025	10	
22B-41	K0144100002	10U nut	10	
22B-42	LM2700-2114Z0	reel cutter 22-9 Ass'y	5	
22B-43	K282701090R	reel cutter 557-9	5	
22B-44	K0737000080	multi-purpose inner ring LRTZ303518	10	
22B-45	K0000060152	6 bolt 15	15	
22B-46	K0212060002	6 metal washer with conical disk spring 1L	15	
22B-47	LM2700-0150Z0	housing cover	5	
22B-48	LM2700-0130Z0	reel packing	5	
22B-49	LM2700-0148Z0	reel housing (L)	5	
22B-50	K2510000250	5 bed knife 87-662	5	

23B. Mower parts B (22inch)

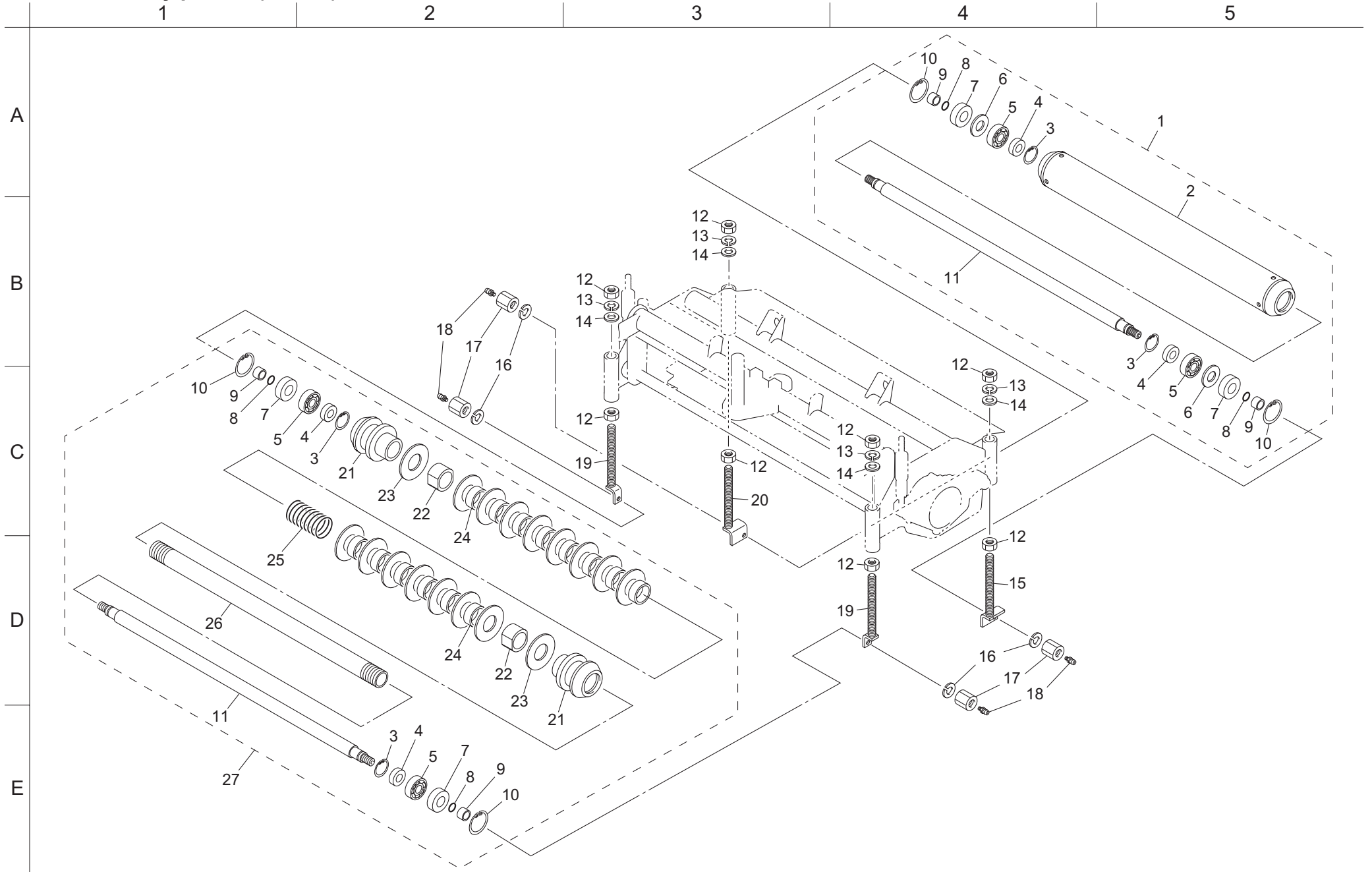




Cat No.	Code No.	Part Name	Qty	Remark
23B-1	K0003100702	10 bolt 70	10	
23B-2	K0200100002	10S washer	10	
23B-3	K690300017D	reel housing cover	5	
23B-4	LM2700-1201ZD	mower weight	5	
23B-5	K4011000290	packing	10	
23B-6	K0000120352	12 bolt 35	5	
23B-7	K0151120002	12 nut with flange	5	
23B-8	K1603120000	pillow ball rod end PHSA12	5	
23B-9	K0102120002	12 nut 3	15	
23B-10	LM2700-0219Z2	M12 screw shaft 240	5	
23B-11	K1000000118	3 compression spring 21150	5	
23B-12	K5073212352	3.2SPHC metal washer 1235	5	
23B-13	K0144120002	12U nut	5	
23B-14	LM2700-2125ZR	stopper	4	
23B-15	K0013120702	12 heat-treated bolt 70	2	
23B-16	K0200120002	12 S washer	2	
23B-17	K0100120002	12 nut	2	

Cat No.	Code No.	Part Name	Qty	Remark

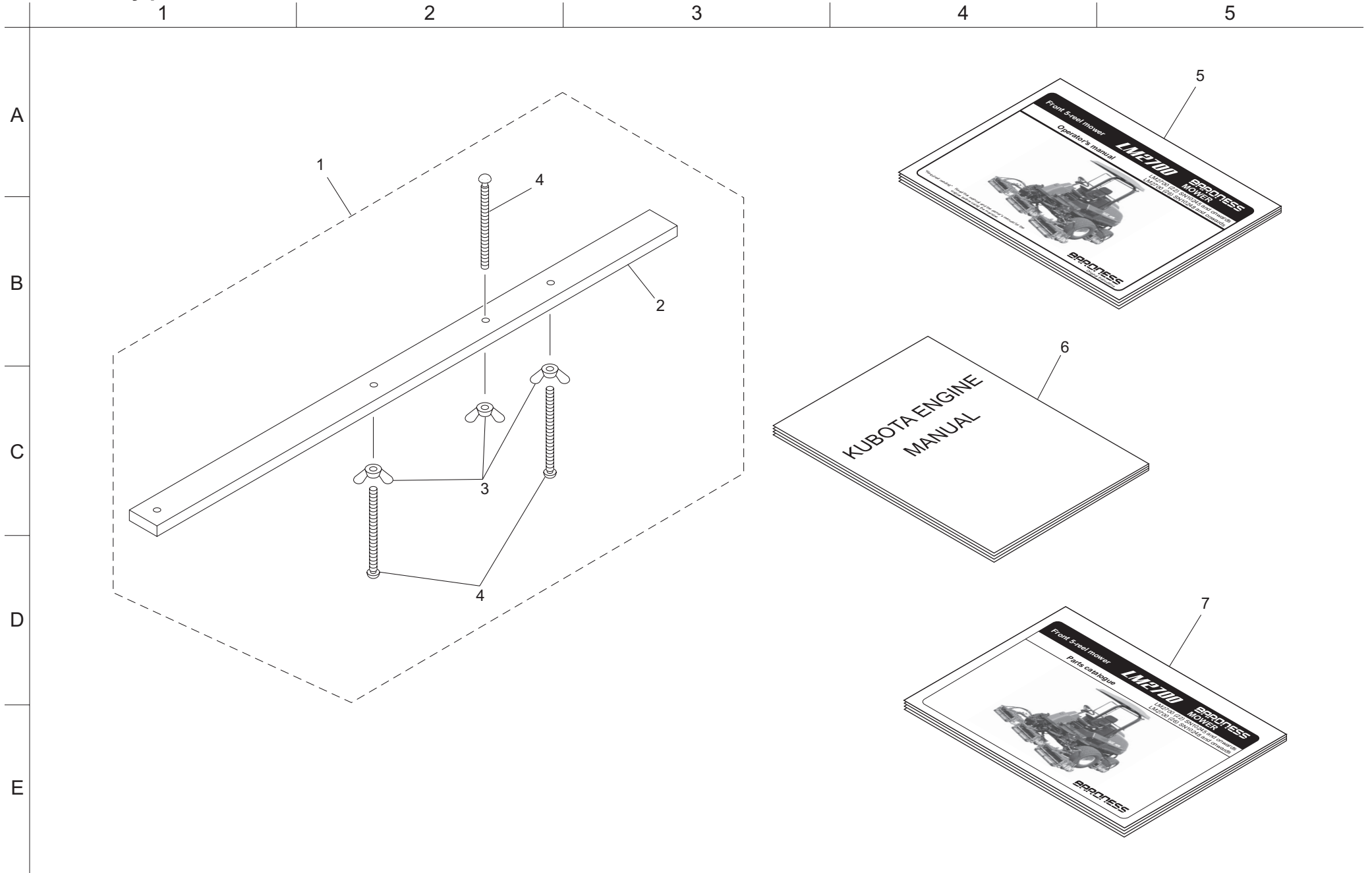
24B. Roller Ass'y parts A (22inch)



Cat No.	Code No.	Part Name	Qty	Remark
24B-1	LM2700-2117Z0	22 roller Ass'y	5	
24B-2	LM2700-2108ZD	76.2 roller 593.5	5	
24B-3	K0402035001	stop ring R35	20	
24B-4	K0822235080	oil seal MHSA22358	20	
24B-5	K0600063030	bearing 6303	20	
24B-6	K5090000802	3.2SPHC metal washer 4047	10	
24B-7	K0822547080	oil seal MHSA25478	20	
24B-8	K0885015000	O-ring S15	20	
24B-9	K6219000540	17SUS collar 2516	20	
24B-10	K0402047001	stop ring R47	20	
24B-11	LM2700-2107Z0	22 roller shaft 646.5	10	
24B-12	K0108180002	18 nut 3P1.5	40	
24B-13	K0200180002	18S washer	20	
24B-14	K5012018282	2SPCC metal washer 1828	20	
24B-15	LM2700-0162Z2	cutting height adjusting screw (L)	5	
24B-16	K0200140002	14S washer	20	
24B-17	K0149142302	14-22 high nut 30	20	
24B-18	K1440000010	grease nipple	20	
24B-19	LM2700-0137Z2	cutting height adjusting screw	10	
24B-20	LM2700-0161Z2	cutting height adjusting screw (R)	5	
24B-21	LM2700-0153ZD	roller housing 75.5	10	
24B-22	LM2700-0122Z2	lock collar	10	
24B-23	LM2700-0155Z0	4A2017P metal washer 40.580	85	
24B-24	K6219000550	41 collar 4521.8	65	
24B-25	K100000073D	5 compression spring 5175	5	
24B-26	LM2700-2109Z2	34.2 roller pipe 40504.7	5	
24B-27	LM2700-2119Z0	22 slotted roller Ass'y	5	

Cat No.	Code No.	Part Name	Qty	Remark

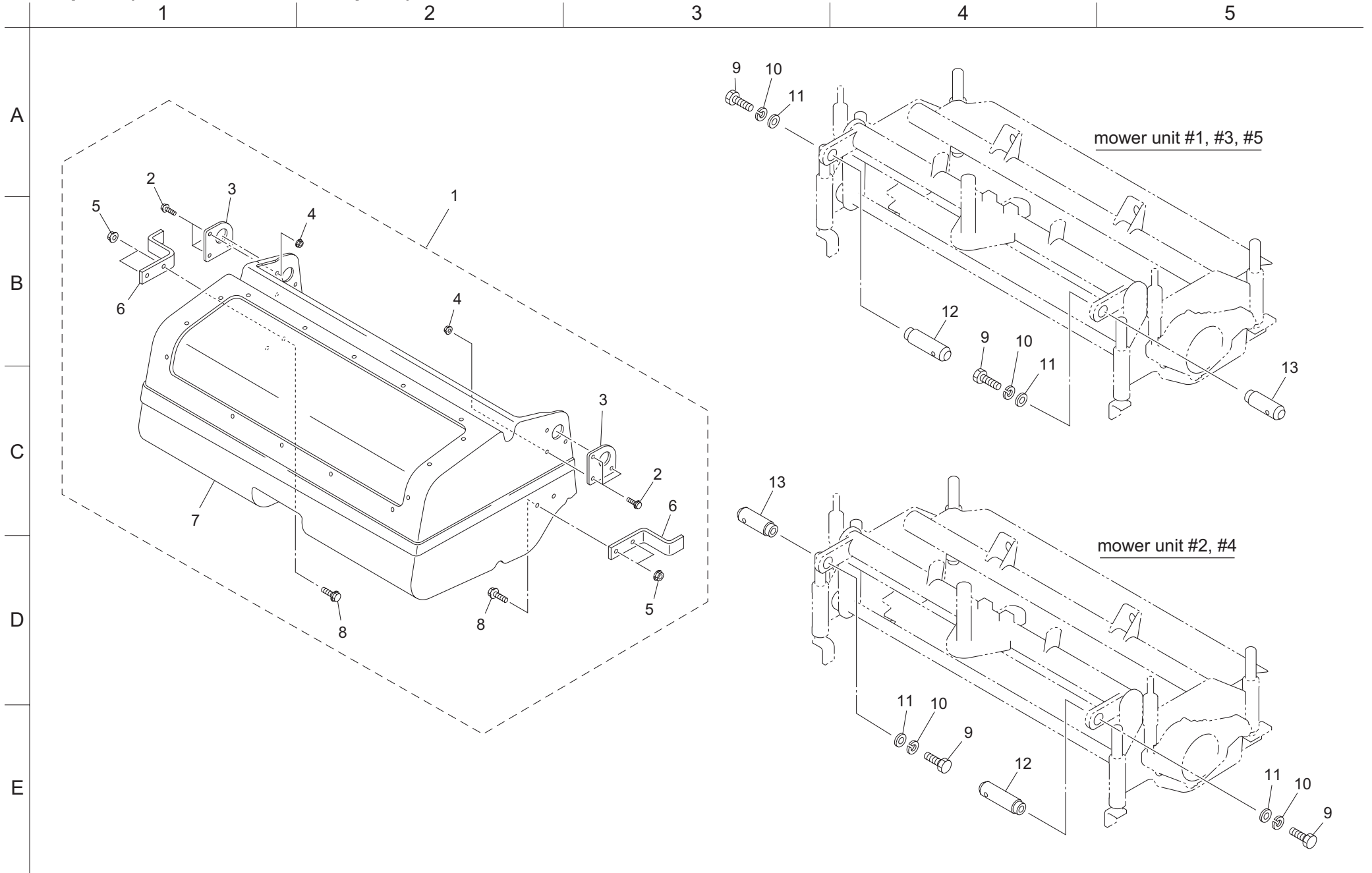
### 25. Accessory parts



Cat No.	Code No.	Part Name	Qty	Remark
25-1	LM2700-1502Z0	cutting height gauge bar 600 Ass'y	1	
25-2	LM2700-1501Z2	cutting height gauge bar 600A	1	
25-3	K0141060002	6 wing nut 3	3	
25-4	K0071000522	6 cutting height adjusting screw 75	3	
25-5	750101-62-A	LM2700 manual	1	
25-6	1J464-8916-1	Kubota engine manual	1	
25-7	750101-62-B	LM2700 parts catalogue	1	

Cat No.	Code No.	Part Name	Qty	Remark

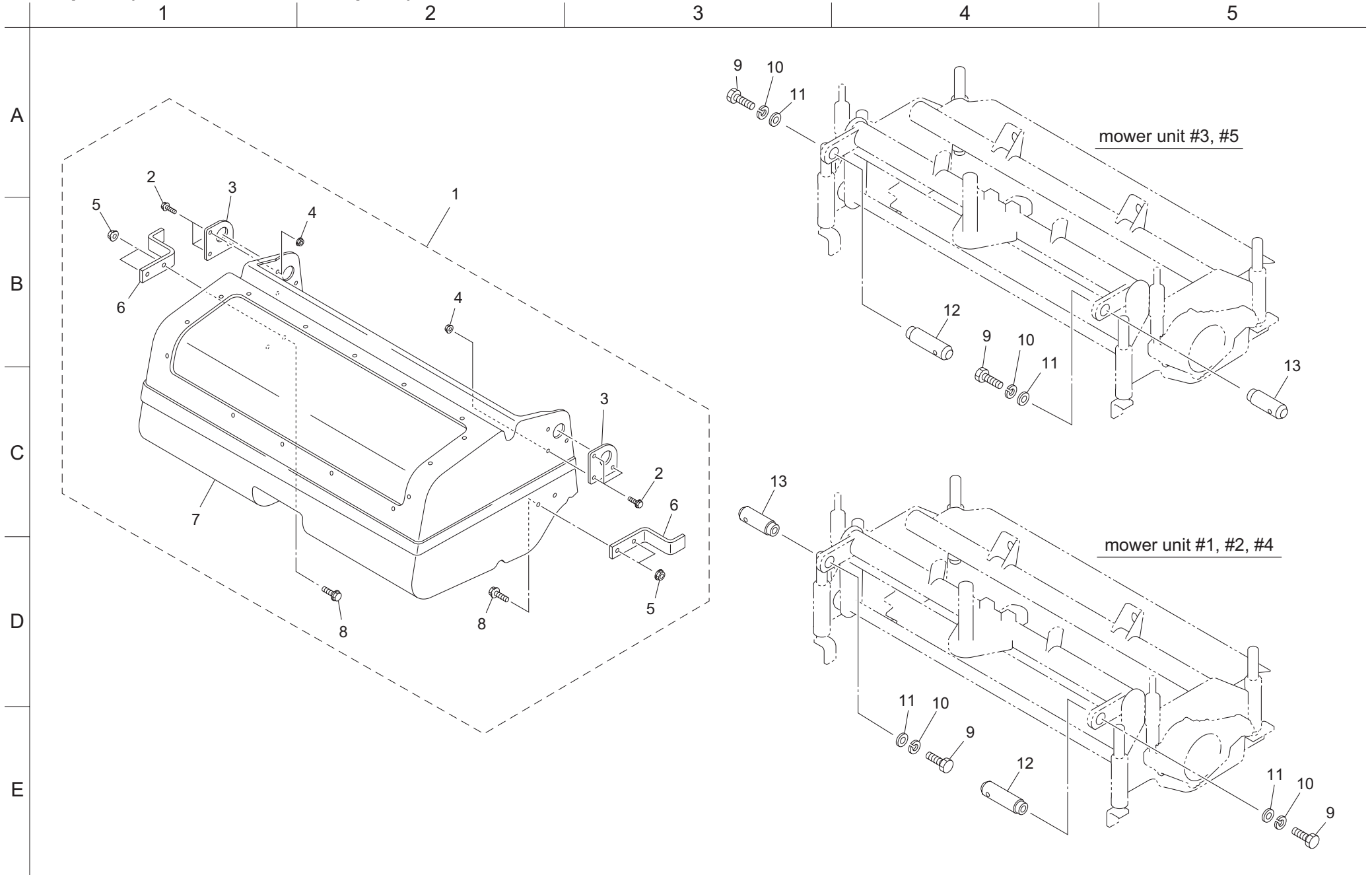
### 26A. Option (26inch Grass catcher parts)



Cat No.	Code No.	Part Name	Qty	Remark
26A-1	LM2700-1101Z0	26 grass catcher Ass'y	5	
26A-2	K0021060202	6 bolt with flange 20	30	
26A-3	LM2700-1110ZD	reinforcement plate	10	
26A-4	K0151060002	6 nut with flange	30	
26A-5	K0151080002	8 nut with flange	20	
26A-6	LM2700-1116ZD	stopper	10	
26A-7	LM2700-1102Z0	26 grass catcher COMP	5	
26A-8	K0021080202	8 bolt with flange 20	20	
26A-9	K0000140252	14 bolt 25	10	
26A-10	K0200140002	14S washer	10	
26A-11	K5000140002	14 washer	10	
26A-12	LM2700-1104Z2	catcher pin 95	5	
26A-13	LM2700-1105Z2	catcher pin 75	5	

Cat No.	Code No.	Part Name	Qty	Remark

26B. Option (22inch Grass catcher parts)

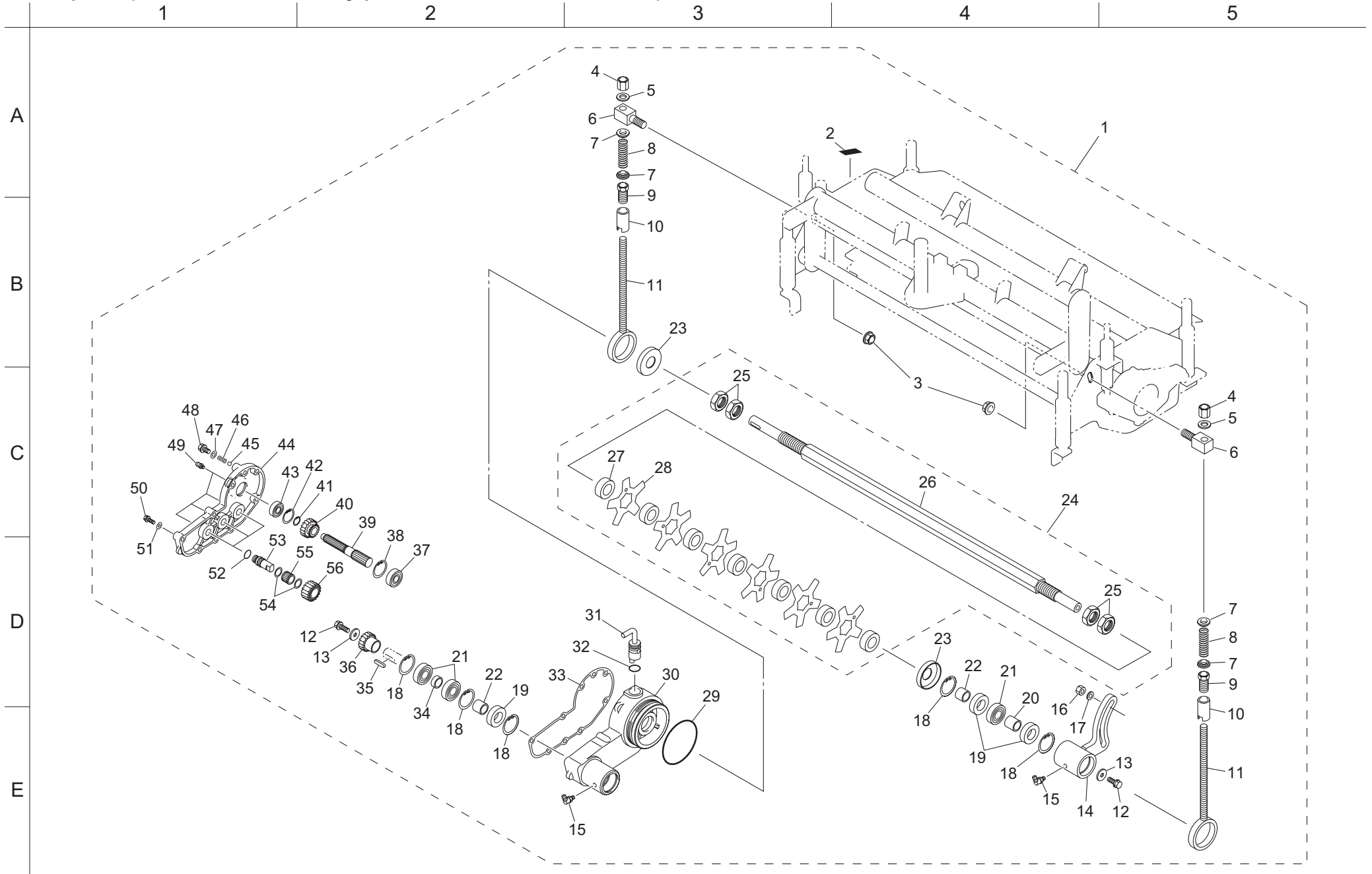




Cat No.	Code No.	Part Name	Qty	Remark
26B-1	LM2700-2701Z0	22 grass catcher Ass'y	5	
26B-2	K0021060202	6 bolt with flange 20	30	
26B-3	LM2700-1110ZD	reinforcement plate	10	
26B-4	K0151060002	6 nut with flange	30	
26B-5	K0151080002	8 nut with flange	20	
26B-6	LM2700-1116ZD	stopper	10	
26B-7	LM2700-2702Z0	22 grass catcher COMP	5	
26B-8	K0021080202	8 bolt with flange 20	20	
26B-9	K0000140252	14 bolt 25	10	
26B-10	K0200140002	14S washer	10	
26B-11	K5000140002	14 washer	10	
26B-12	LM2700-1104Z2	catcher pin 95	5	
26B-13	LM2700-1105Z2	catcher pin 75	5	

Cat No.	Code No.	Part Name	Qty	Remark

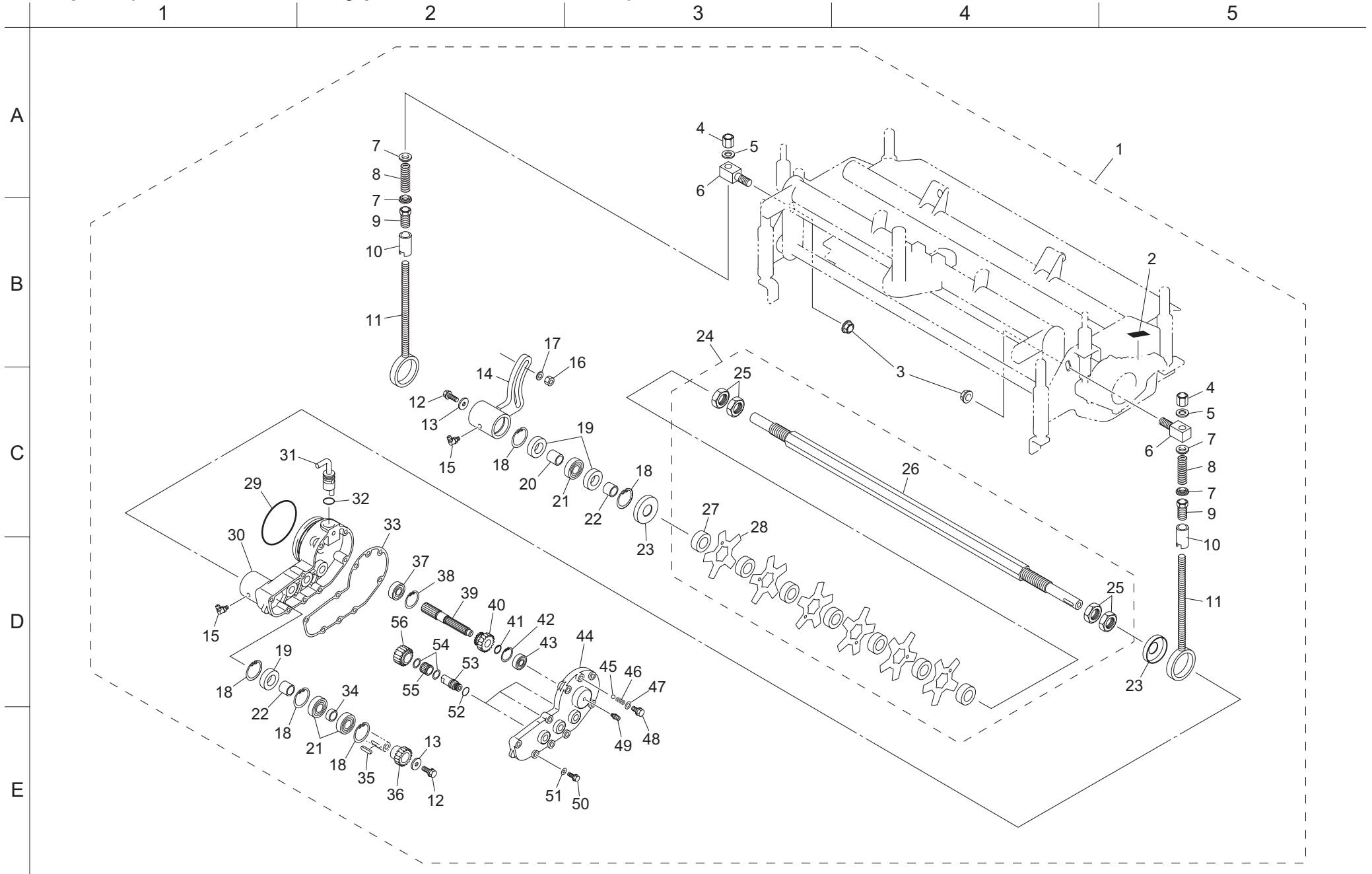
27A. Option (26inch Groomer Ass'y parts for mower unit #1,#3,#5)



Cat No.	Code No.	Part Name	Qty	Remark
27A-1	LM2700-0197Z0	left mower groomer Ass'y	3	
27A-2	K4203000080	ON OFF mark	3	
27A-3	K0151100002	10 nut with flange	6	
27A-4	K0160000032	10 receiving blade adjusting nut P1	6	
27A-5	K5051010200	1C5191P metal washer 1020	6	
27A-6	LM2700-0136Z2	10 rod receiver	6	
27A-7	K6206000052	spring receiver	12	
27A-8	K1000000578	3.5 compression spring 2273	6	
27A-9	LM535E-1335Z2	pipe with cutter adjusting screw	6	
27A-10	LM2700-0135Z2	adjusting pipe	6	
27A-11	LM2700-0134Z2	groomer adjusting bolt	6	
27A-12	K0021080152	8 bolt with flange 15	6	
27A-13	K5012308242	2.3SPCC metal washer 824	6	
27A-14	LM2700-0132Z2	groomer housing (L)	3	
27A-15	K1440000030	B-shaped grease nipple	6	
27A-16	K0144100002	10U nut	3	
27A-17	K5012310252	2.3SPCC metal washer 1025	3	
27A-18	K0402035001	stop ring R35	15	
27A-19	K0822235080	oil seal MHS A22358	9	
27A-20	K0737000070	multi-purpose inner ring LRT172223	6	
27A-21	K0600060030	bearing 6003	9	
27A-22	K0737000060	multi-purpose inner ring LRT172216	3	
27A-23	K5370000312	dustproof cover	6	
27A-24	LM2700-0189Z0	groomer shaft Ass'y	3	
27A-25	K0108240002	24 nut 3P1.5	12	
27A-26	LM2700-0126Z2	groomer shaft	3	
27A-27	K6214000020	28AC collar 4224.6	72	
27A-28	K2570000039	1.2-5 piece blade 85	69	
27A-29	K0885080000	O-ring S80	3	
27A-30	LM2700-0101Z0	groomer case (R)	3	
27A-31	LM2700-0114Z8	clutch lever (R)	3	
27A-32	K0880015000	O-ring P15	3	
27A-33	LM2700-0129Z0	groomer packing	3	
27A-34	K6212003170	17 STKM collar 227.4	3	
27A-35	K0500404180	4 both-end round key 418	3	

Cat No.	Code No.	Part Name	Qty	Remark
27A-36	LM2700-0112Z0	17 gear	3	
27A-37	K0612060020	bearing 60022RD	3	
27A-38	K0402032001	stop ring R32	3	
27A-39	LM2700-0109Z0	spline shaft	3	
27A-40	LM2700-0110Z0	18 clutch gear	3	
27A-41	K0403015001	round stop ring S15	3	
27A-42	K0402028001	stop ring R28	3	
27A-43	K0600006001	bearing 6001	3	
27A-44	LM2700-0103Z0	groomer cover (R)	3	
27A-45	K1500635000	6.35 steel ball	3	
27A-46	K1000000090	1 compression spring 618	3	
27A-47	K0922080000	seal washer 8WF	3	
27A-48	K0021080102	8 bolt with flange 10(1pc)	3	
27A-49	K1440000010	grease nipple	12	
27A-50	K0000060252	6 bolt 25	24	
27A-51	K0212060002	6 metal washer with conical disk spring 1L	24	
27A-52	K0885014000	O-ring S14	9	
27A-53	LM2700-0111Z0	intermediate shaft	9	
27A-54	K5051013280	1C5191P metal washer 1328	18	
27A-55	K0701317120	needle KT131712	9	
27A-56	K6186000030	18 gear	9	

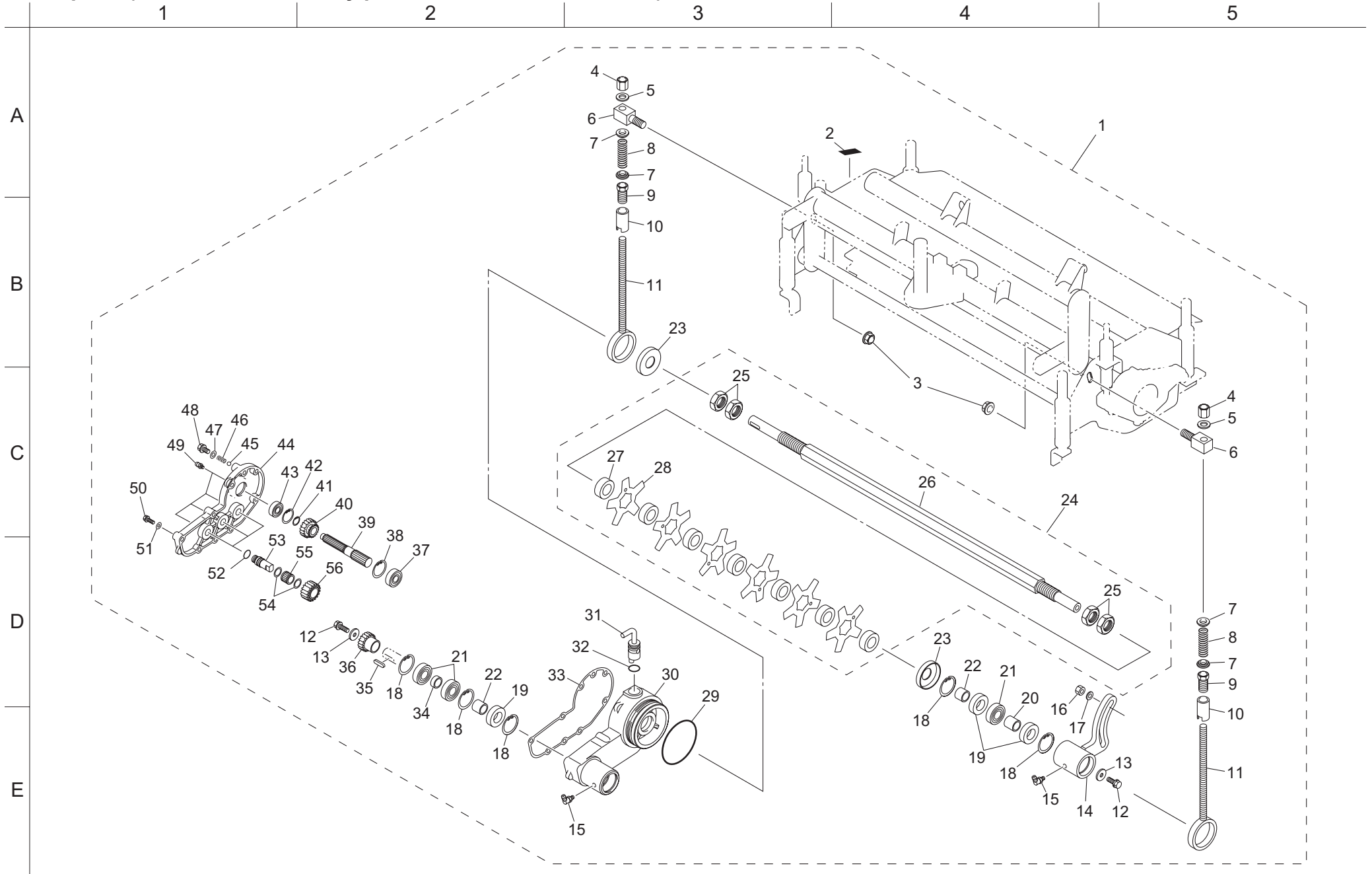
28A. Option (26inch Groomer Ass'y parts for mower unit #2,#4)



Cat No.	Code No.	Part Name	Qty	Remark
28A-1	LM2700-0199Z0	right mower groomer Ass'y	2	
28A-2	K4203000080	ON OFF mark	2	
28A-3	K0151100002	10 nut with flange	4	
28A-4	K0160000032	10 receiving blade adjusting nut P1	4	
28A-5	K5051010200	1C5191P metal washer 1020	4	
28A-6	LM2700-0136Z2	10 rod receiver	4	
28A-7	K6206000052	spring receiver	8	
28A-8	K1000000578	3.5 compression spring 2273	4	
28A-9	LM535E-1335Z2	pipe with cutter adjusting screw	4	
28A-10	LM2700-0135Z2	adjusting pipe	4	
28A-11	LM2700-0134Z2	groomer adjusting bolt	4	
28A-12	K0021080152	8 bolt with flange 15	4	
28A-13	K5012308242	2.3SPCC metal washer 824	4	
28A-14	LM2700-0133Z2	groomer housing (R)	2	
28A-15	K1440000030	B-shaped grease nipple	4	
28A-16	K0144100002	10U nut	2	
28A-17	K5012310252	2.3SPCC metal washer 1025	2	
28A-18	K0402035001	stop ring R35	10	
28A-19	K0822235080	oil seal MHS A22358	6	
28A-20	K0737000070	multi-purpose inner ring LRT172223	4	
28A-21	K0600060030	bearing 6003	6	
28A-22	K0737000060	multi-purpose inner ring LRT172216	2	
28A-23	K5370000312	dustproof cover	4	
28A-24	LM2700-0189Z0	groomer shaft Ass'y	2	
28A-25	K0108240002	24 nut 3P1.5	8	
28A-26	LM2700-0126Z2	groomer shaft	2	
28A-27	K6214000020	28AC collar 4224.6	48	
28A-28	K2570000039	1.2-5 piece blade 85	46	
28A-29	K0885080000	O-ring S80	2	
28A-30	LM2700-0102Z0	groomer case (L)	2	
28A-31	LM2700-0115Z8	clutch lever (L)	2	
28A-32	K0880015000	O-ring P15	2	
28A-33	LM2700-0129Z0	groomer packing	2	
28A-34	K6212003170	17 STKM collar 227.4	2	
28A-35	K0500404180	4 both-end round key 418	2	

Cat No.	Code No.	Part Name	Qty	Remark
28A-36	LM2700-0112Z0	17 gear	2	
28A-37	K0612060020	bearing 60022RD	2	
28A-38	K0402032001	stop ring R32	2	
28A-39	LM2700-0109Z0	spline shaft	2	
28A-40	LM2700-0110Z0	18 clutch gear	2	
28A-41	K0403015001	round stop ring S15	2	
28A-42	K0402028001	stop ring R28	2	
28A-43	K0600006001	bearing 6001	2	
28A-44	LM2700-0104Z0	groomer cover (L)	2	
28A-45	K1500635000	6.35 steel ball	2	
28A-46	K1000000090	1 compression spring 618	2	
28A-47	K0922080000	seal washer 8WF	2	
28A-48	K0021080102	8 bolt with flange 10(1pc)	2	
28A-49	K1440000010	grease nipple	8	
28A-50	K0000060252	6 bolt 25	16	
28A-51	K0212060002	6 metal washer with conical disk spring 1L	16	
28A-52	K0885014000	O-ring S14	6	
28A-53	LM2700-0111Z0	intermediate shaft	6	
28A-54	K5051013280	1C5191P metal washer 1328	12	
28A-55	K0701317120	needle KT131712	6	
28A-56	K6186000030	18 gear	6	

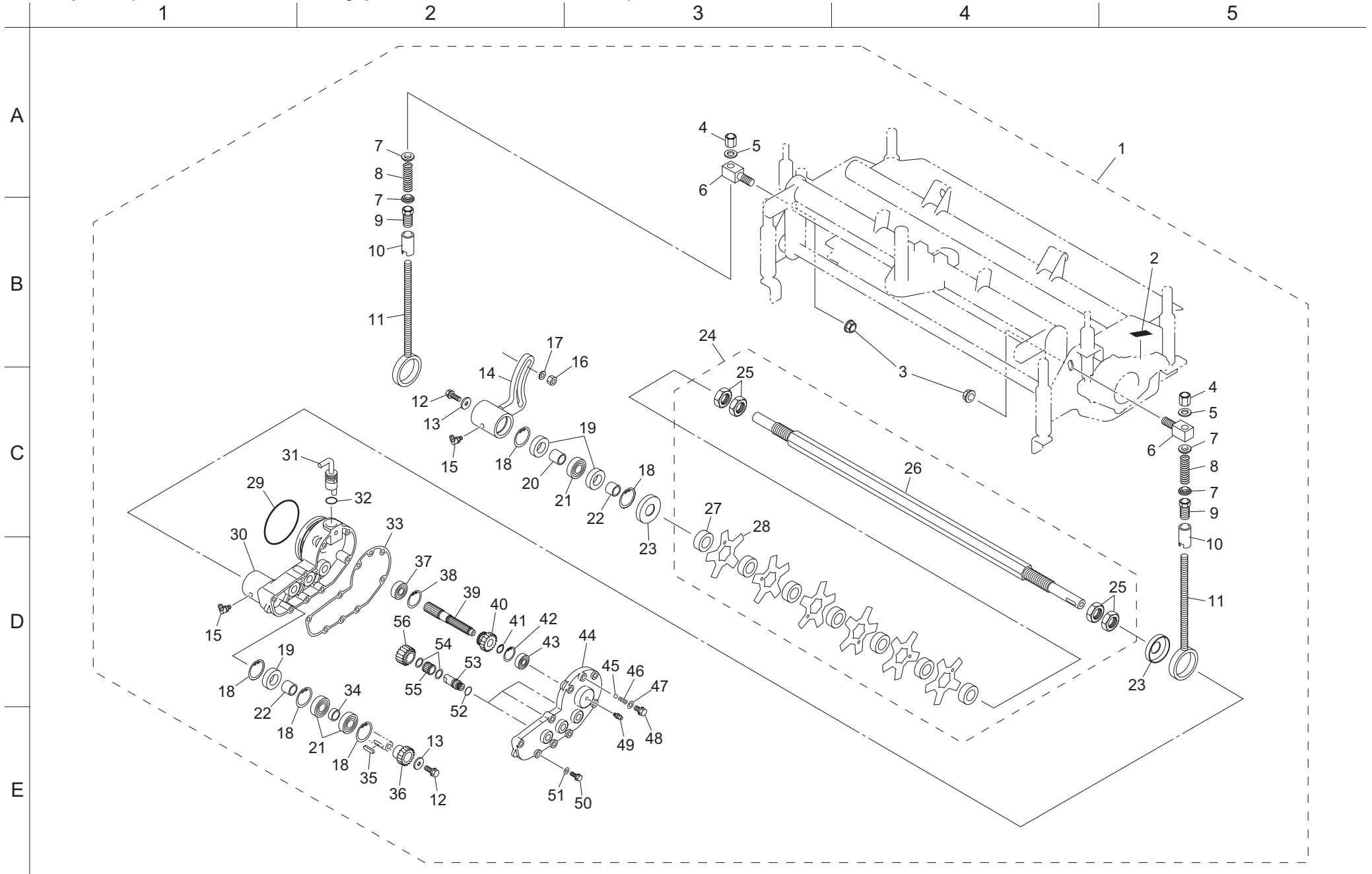
27B. Option (22inch Groomer Ass'y parts for mower unit #1,#3,#5)



Cat No.	Code No.	Part Name	Qty	Remark
27B-1	LM2700-0197Z0	left mower groomer Ass'y	3	
27B-2	K4203000080	ON OFF mark	3	
27B-3	K0151100002	10 nut with flange	6	
27B-4	K0160000032	10 receiving blade adjusting nut P1	6	
27B-5	K5051010200	1C5191P metal washer 1020	6	
27B-6	LM2700-0136Z2	10 rod receiver	6	
27B-7	K6206000052	spring receiver	12	
27B-8	K1000000578	3.5 compression spring 2273	6	
27B-9	LM535E-1335Z2	pipe with cutter adjusting screw	6	
27B-10	LM2700-0135Z2	adjusting pipe	6	
27B-11	LM2700-0134Z2	groomer adjusting bolt	6	
27B-12	K0021080152	8 bolt with flange 15	6	
27B-13	K5012308242	2.3SPCC metal washer 824	6	
27B-14	LM2700-0132Z2	groomer housing (L)	3	
27B-15	K1440000030	B-shaped grease nipple	6	
27B-16	K0144100002	10U nut	3	
27B-17	K5012310252	2.3SPCC metal washer 1025	3	
27B-18	K0402035001	stop ring R35	15	
27B-19	K0822235080	oil seal MHS A22358	9	
27B-20	K0737000070	multi-purpose inner ring LRT172223	6	
27B-21	K0600060030	bearing 6003	9	
27B-22	K0737000060	multi-purpose inner ring LRT172216	3	
27B-23	K5370000312	dustproof cover	6	
27B-24	LM2700-2121Z0	22 groomer shaft Ass'y	3	
27B-25	K0108240002	24 nut 3P1.5	12	
27B-26	LM2700-2110Z2	groomer shaft	3	
27B-27	K6214000020	28AC collar 4224.6	60	
27B-28	K2570000039	1.2-5 piece blade 85	57	
27B-29	K0885080000	O-ring S80	3	
27B-30	LM2700-0101Z0	groomer case (R)	3	
27B-31	LM2700-0114Z8	clutch lever (R)	3	
27B-32	K0880015000	O-ring P15	3	
27B-33	LM2700-0129Z0	groomer packing	3	
27B-34	K6212003170	17 STKM collar 227.4	3	
27B-35	K0500404180	4 both-end round key 418	3	

Cat No.	Code No.	Part Name	Qty	Remark
27B-36	LM2700-0112Z0	17 gear	3	
27B-37	K0612060020	bearing 60022RD	3	
27B-38	K0402032001	stop ring R32	3	
27B-39	LM2700-0109Z0	spline shaft	3	
27B-40	LM2700-0110Z0	18 clutch gear	3	
27B-41	K0403015001	round stop ring S15	3	
27B-42	K0402028001	stop ring R28	3	
27B-43	K0600006001	bearing 6001	3	
27B-44	LM2700-0103Z0	groomer cover (R)	3	
27B-45	K1500635000	6.35 steel ball	3	
27B-46	K1000000090	1 compression spring 618	3	
27B-47	K0922080000	seal washer 8WF	3	
27B-48	K0021080102	8 bolt with flange 10(1pc)	3	
27B-49	K1440000010	grease nipple	12	
27B-50	K0000060252	6 bolt 25	24	
27B-51	K0212060002	6 metal washer with conical disk spring 1L	24	
27B-52	K0885014000	O-ring S14	9	
27B-53	LM2700-0111Z0	intermediate shaft	9	
27B-54	K5051013280	1C5191P metal washer 1328	18	
27B-55	K0701317120	needle KT131712	9	
27B-56	K6186000030	18 gear	9	

28B. Option (22inch Groomer Ass'y parts for mower unit #2,#4)

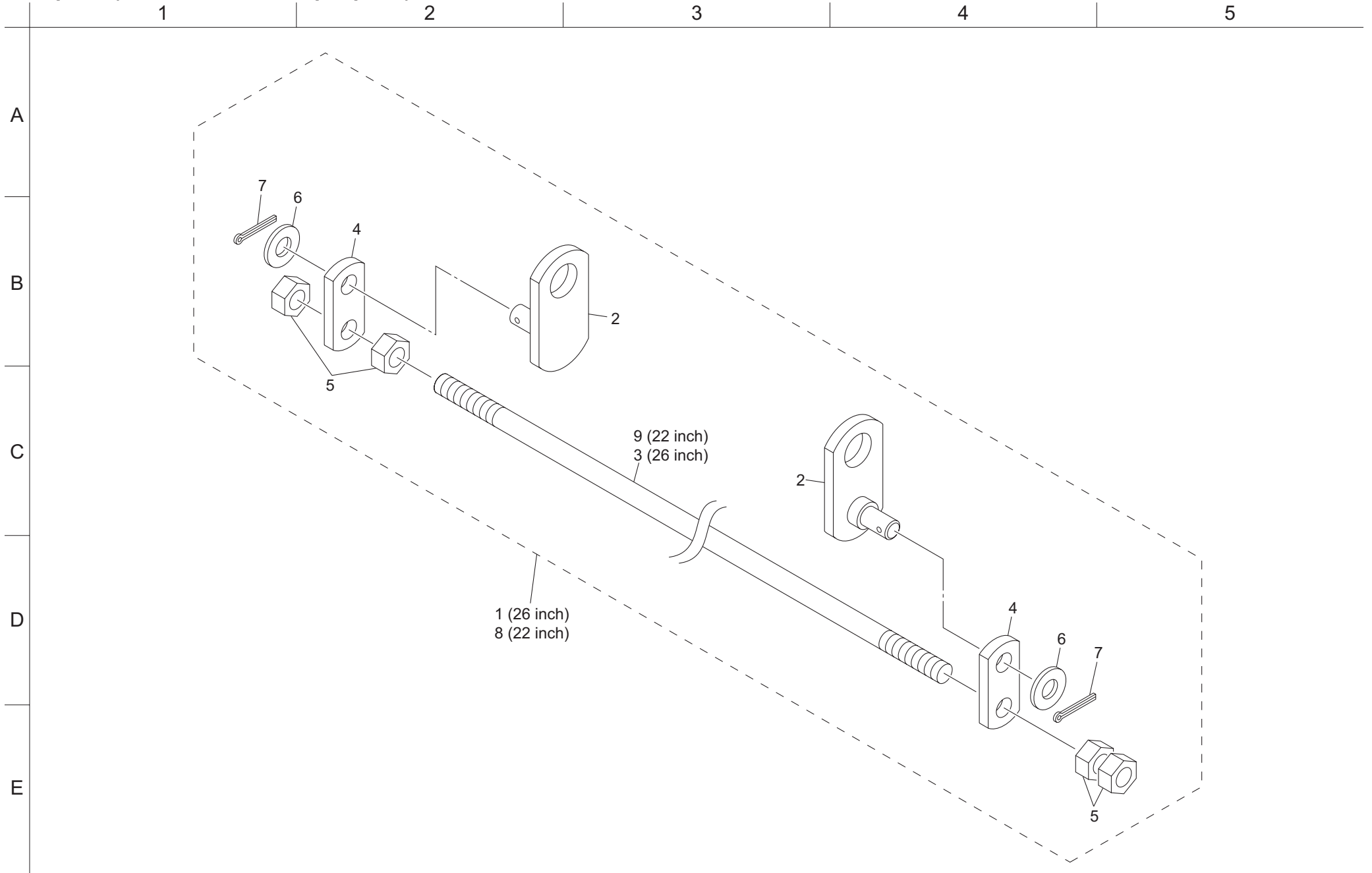




Cat No.	Code No.	Part Name	Qty	Remark
28B-1	LM2700-0199Z0	right mower groomer Ass'y	2	
28B-2	K4203000080	ON OFF mark	2	
28B-3	K0151100002	10 nut with flange	4	
28B-4	K0160000032	10 receiving blade adjusting nut P1	4	
28B-5	K5051010200	1C5191P metal washer 1020	4	
28B-6	LM2700-0136Z2	10 rod receiver	4	
28B-7	K6206000052	spring receiver	8	
28B-8	K1000000578	3.5 compression spring 2273	4	
28B-9	LM535E-1335Z2	pipe with cutter adjusting screw	4	
28B-10	LM2700-0135Z2	adjusting pipe	4	
28B-11	LM2700-0134Z2	groomer adjusting bolt	4	
28B-12	K0021080152	8 bolt with flange 15	4	
28B-13	K5012308242	2.3SPCC metal washer 824	4	
28B-14	LM2700-0133Z2	groomer housing (R)	2	
28B-15	K1440000030	B-shaped grease nipple	4	
28B-16	K0144100002	10U nut	2	
28B-17	K5012310252	2.3SPCC metal washer 1025	2	
28B-18	K0402035001	stop ring R35	10	
28B-19	K0822235080	oil seal MHSA22358	6	
28B-20	K0737000070	multi-purpose inner ring LRT172223	4	
28B-21	K0600060030	bearing 6003	6	
28B-22	K0737000060	multi-purpose inner ring LRT172216	2	
28B-23	K5370000312	dustproof cover	4	
28B-24	LM2700-2121Z0	22 groomer shaft Ass'y	2	
28B-25	K0108240002	24 nut 3P1.5	8	
28B-26	LM2700-2110Z2	22 groomer shaft	2	
28B-27	K6214000020	28AC collar 4224.6	40	
28B-28	K2570000039	1.2-5 piece blade 85	38	
28B-29	K0885080000	O-ring S80	2	
28B-30	LM2700-0102Z0	groomer case (L)	2	
28B-31	LM2700-0115Z8	clutch lever (L)	2	
28B-32	K0880015000	O-ring P15	2	
28B-33	LM2700-0129Z0	groomer packing	2	
28B-34	K6212003170	17 STKM collar 227.4	2	
28B-35	K0500404180	4 both-end round key 418	2	

Cat No.	Code No.	Part Name	Qty	Remark
28B-36	LM2700-0112Z0	17 gear	2	
28B-37	K0612060020	bearing 60022RD	2	
28B-38	K0402032001	stop ring R32	2	
28B-39	LM2700-0109Z0	spline shaft	2	
28B-40	LM2700-0110Z0	18 clutch gear	2	
28B-41	K0403015001	round stop ring S15	2	
28B-42	K0402028001	stop ring R28	2	
28B-43	K0600006001	bearing 6001	2	
28B-44	LM2700-0104Z0	groomer cover (L)	2	
28B-45	K1500635000	6.35 steel ball	2	
28B-46	K1000000090	1 compression spring 618	2	
28B-47	K0922080000	seal washer 8WF	2	
28B-48	K0021080102	8 bolt with flange 10(1pc)	2	
28B-49	K1440000010	grease nipple	8	
28B-50	K0000060252	6 bolt 25	16	
28B-51	K0212060002	6 metal washer with conical disk spring 1L	16	
28B-52	K0885014000	O-ring S14	6	
28B-53	LM2700-0111Z0	intermediate shaft	6	
28B-54	K5051013280	1C5191P metal washer 1328	12	
28B-55	K0701317120	needle KT131712	6	
28B-56	K6186000030	18 gear	6	

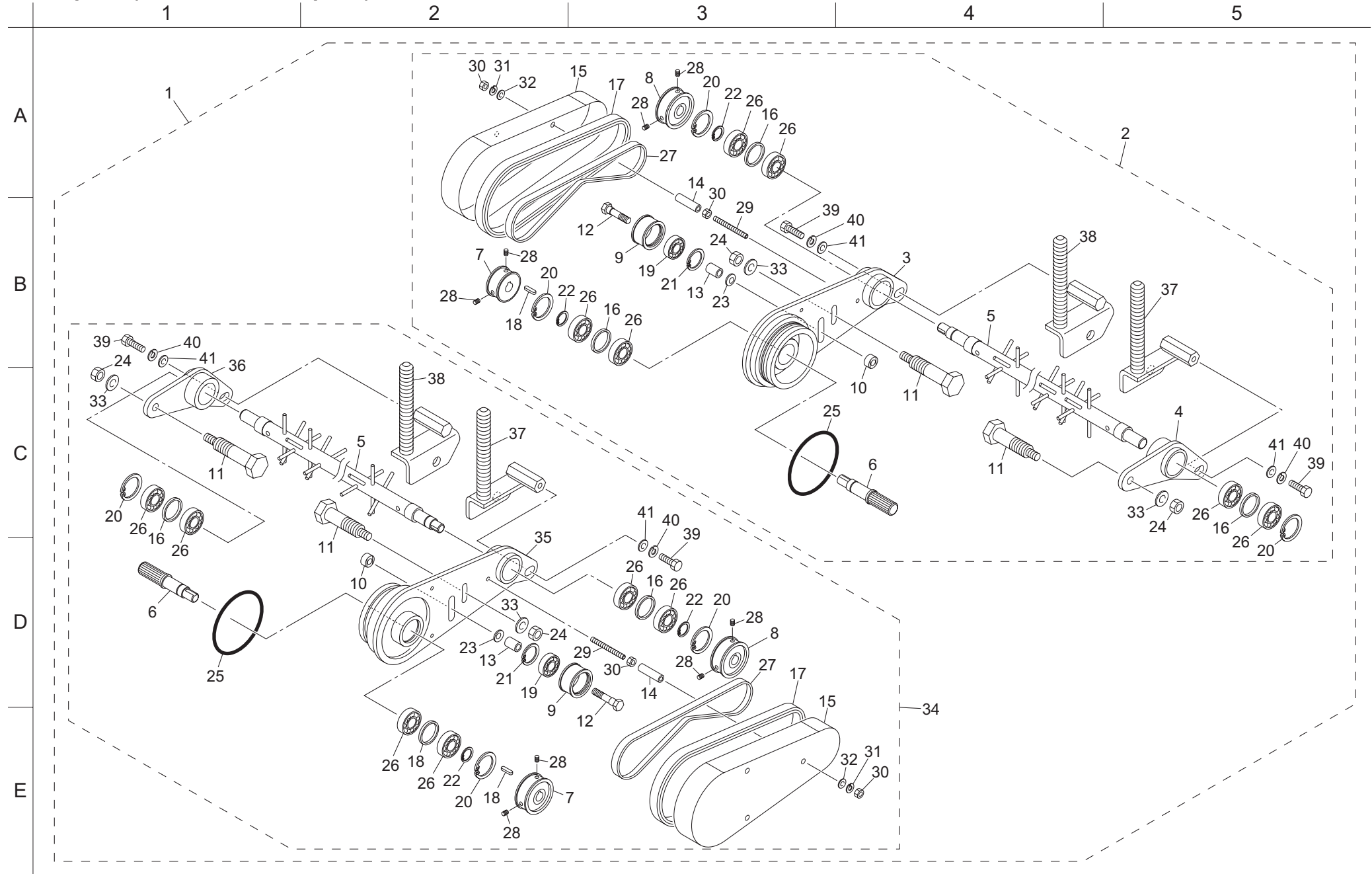
29. Option (26inch, 22inch scraper parts)



Cat No.	Code No.	Part Name	Qty		Remark
			26	22	
29-1	LM2700-4402Z0	scraper Ass'y	1	0	for one mower unit (26 inch)
29-2	LM2700-4403ZD	mount fitting	2	2	for one mower unit
29-3	LM2700-4404Z0	scraper 768	1	0	for one mower unit (26 inch)
29-4	LM2700-4405ZD	connection plate	2	2	for one mower unit
29-5	K0100080002	8 nut	4	4	for one mower unit
29-6	K5000080002	8 washer	2	2	for one mower unit
29-7	K0300020162	2 split pin 16	2	2	for one mower unit
29-8	LM2700-4502Z0	scraper Ass'y	1	1	for one mower unit (22 inch)
29-9	LM2700-4504Z0	scraper 666	1	1	for one mower unit (22 inch)

Cat No.	Code No.	Part Name	Qty	Remark

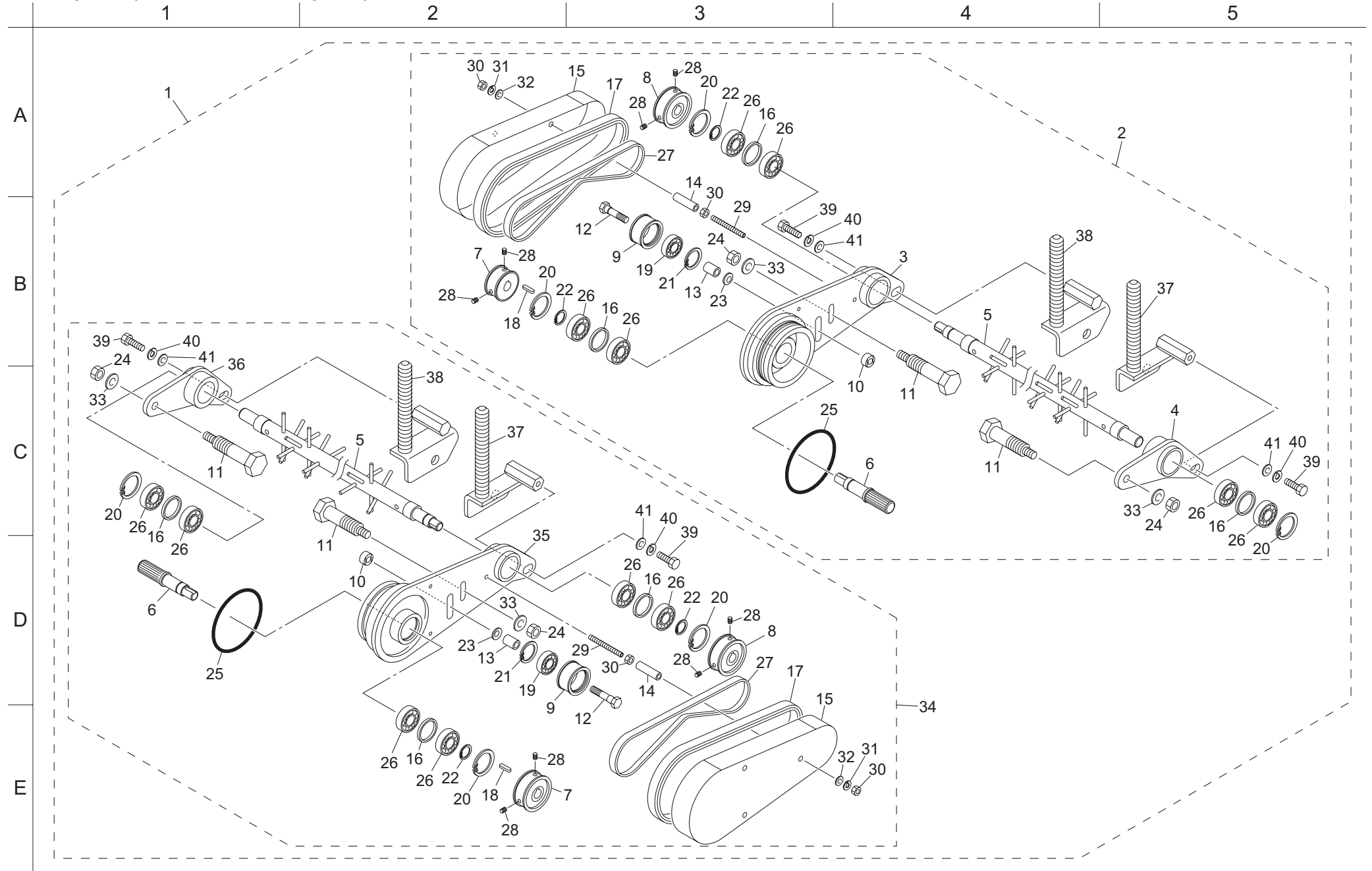
30A. Option (26inch CR brush parts)



Cat No.	Code No.	Part Name	Qty	Remark
30A-1	LM2700-4124Z0	CR brush Ass'y	1	for one machine
30A-2	LM2700-4126Z0	CR brush (R) Ass'y	3	
30A-3	LM2700-4113ZD	brush frame (R)	3	
30A-4	LM2700-4115ZD	brush housing (L)	3	
30A-5	LM2700-4101Z0	rotor brush	5	
30A-6	LM2700-4105Z0	driving shaft	5	
30A-7	LM2700-4106Z2	driving pulley	5	
30A-8	LM2700-4107Z2	brush shaft pulley	5	
30A-9	LM2700-4108Z2	tension pulley 1232	5	
30A-10	LM2700-4109Z2	screw base	5	
30A-11	LM2700-4110Z2	axis bolt	10	
30A-12	LM2700-4111Z8	8 special bolt	5	
30A-13	K6211000482	9.2 SGP collar 13.814	5	
30A-14	K6211000492	6.5 SGP collar 10.526.4	15	
30A-15	LM2700-4120ZD	belt cover	5	
30A-16	K6212004172	28.6 STKM collar 31.85	15	
30A-17	LM2700-4123Z0	8U rubber 615	5	
30A-18	K0520404140	4 single round key 414	10	
30A-19	K0608006290	bearing 6292RS	5	
30A-20	K0402032001	stop ring R32	15	
30A-21	K0402026001	stop ring R26	5	
30A-22	K0403015001	stop ring round S15	5	
30A-23	K0213080002	8 metal washer with conical disk spring H	5	
30A-24	K0144080002	8U nut	10	
30A-25	K0885080000	O-ring S80	5	
30A-26	K0612060020	bearing 60022RD	30	
30A-27	K2380000030	F start belt 10FL-500	5	
30A-28	K0023050081	5 hollow set screw 8	20	
30A-29	K0023060502	6 hollow set screw 50	15	
30A-30	K0100060002	6 nut	30	
30A-31	K0200060002	6S washer	15	
30A-32	K5000060002	6 washer	15	
30A-33	K5000080002	8 washer	10	
30A-34	LM2700-4127Z0	CR brush (L) Ass'y	2	
30A-35	LM2700-4114ZD	brush frame (L)	2	

Cat No.	Code No.	Part Name	Qty	Remark
30A-36	LM2700-4116ZD	brush housing (R)	2	
30A-37	LM2700-4117Z2	cutting height adjusting screw (L)	5	
30A-38	LM2700-4118Z2	cutting height adjusting screw (R)	5	
30A-39	K0000080202	8 bolt 20	10	
30A-40	K0200080002	8S washer	10	
30A-41	K5000080002	8 washer	10	

30B. Option (22inch CR brush parts)



Cat No.	Code No.	Part Name	Qty	Remark
30B-1	LM2700-4301Z0	22 CR brush Ass'y	1	for one machine
30B-2	LM2700-4302Z0	22 CR brush (R) Ass'y	3	
30B-3	LM2700-4113ZD	brush frame (R)	3	
30B-4	LM2700-4115ZD	brush housing (L)	3	
30B-5	LM2700-4304Z0	22 rotor brush	5	
30B-6	LM2700-4105Z0	driving shaft	5	
30B-7	LM2700-4106Z2	driving pulley	5	
30B-8	LM2700-4107Z2	brush shaft pulley	5	
30B-9	LM2700-4108Z2	tension pulley 1232	5	
30B-10	LM2700-4109Z2	screw base	5	
30B-11	LM2700-4110Z2	axis bolt	10	
30B-12	LM2700-4111Z8	8 special bolt	5	
30B-13	K6211000482	9.2 SGP collar 13.814	5	
30B-14	K6211000492	6.5 SGP collar 10.526.4	15	
30B-15	LM2700-4120ZD	belt cover	5	
30B-16	K6212004172	28.6 STKM collar 31.85	15	
30B-17	LM2700-4123Z0	8U rubber 615	5	
30B-18	K0520404140	4 single round key 414	10	
30B-19	K0608006290	bearing 6292RS	5	
30B-20	K0402032001	stop ring R32	15	
30B-21	K0402026001	stop ring R26	5	
30B-22	K0403015001	stop ring round S15	5	
30B-23	K0213080002	8 metal washer with conical disk spring H	5	
30B-24	K0144080002	8U nut	10	
30B-25	K0885080000	O-ring S80	5	
30B-26	K0612060020	bearing 60022RD	30	
30B-27	K2380000030	F start belt 10FL-500	5	
30B-28	K0023050081	5 hollow set screw 8	20	
30B-29	K0023060502	6 hollow set screw 50	15	
30B-30	K0100060002	6 nut	30	
30B-31	K0200060002	6S washer	15	
30B-32	K5000060002	6 washer	15	
30B-33	K5000080002	8 washer	10	
30B-34	LM2700-4306Z0	22 CR brush (L) Ass'y	2	
30B-35	LM2700-4114ZD	brush frame (L)	2	

Cat No.	Code No.	Part Name	Qty	Remark	
30B-36	LM2700-4116ZD	brush housing (R)	2		
30B-37	LM2700-4117Z2	cutting height adjusting screw (L)	5		
30B-38	LM2700-4118Z2	cutting height adjusting screw (R)	5		
30B-39	K0000080202	8 bolt 20	10		
30B-40	K0200080002	8S washer	10		
30B-41	K5000080002	8 washer	10		



**KYOISHA CO., LTD.**

Head Office  
1-26, Miyuki-cho, Toyokawa,  
Aichi-Pref. 442-8530 Japan.

**BRONSS**  
Turf Care Machinery  
Tel: (0533) 84-1390  
Fax: (0533) 89-3623