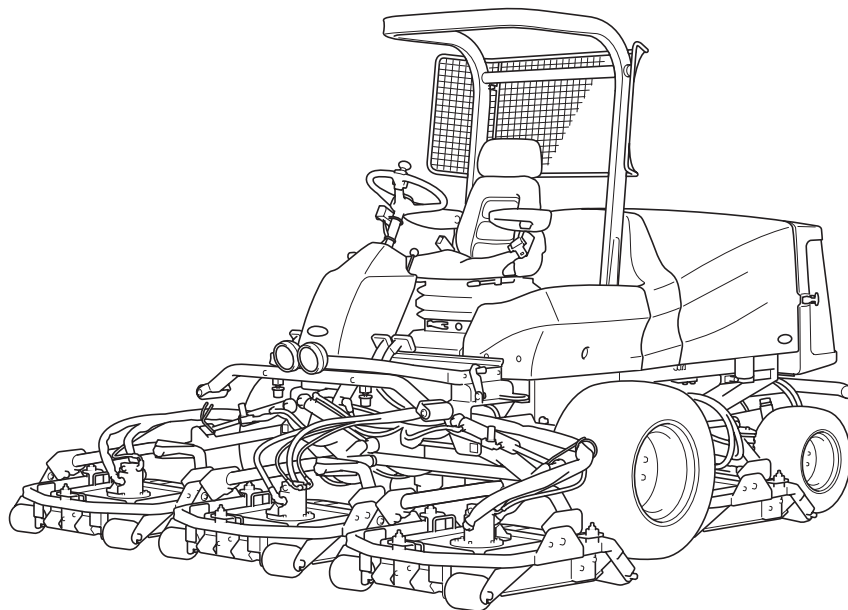


GM2810A

5-Unit Rotary Mower

Parts catalog



BARONESS[®]
Quality on Demand

Serial No. 10001-

Ver.1.0

Greeting

Thank you for purchasing Baroness machine.

This machine has been shipped from the factory after comprehensive test runs and inspections. However, the optimum performance of the machine depends on how you use and maintain it, including routine inspections, adjustments, and fuel supplies before and after the operation.

We hope you will use the machine safely, and take advantage of its best performance.

Note

(For inquiry about this machine)

Since the type of machine may be changed sequentially, inform us of the type and the serial number.

The information described in this manual is subject to change without prior notice.

When replacing parts, be sure to use Baroness parts or parts designated by Kyo-eisha.

Note that the Baroness product warranty may not apply to defects caused by the use of parts from other companies.

(For ordering parts)

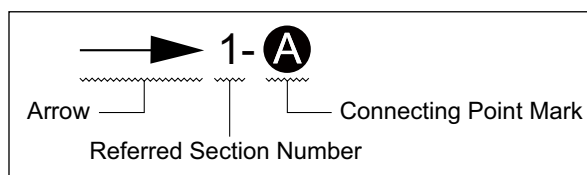
For prevention of delivery of wrong parts, be sure to inform us of the code number and the part name.

| Example: | Code No. | Part Name | Qty |
|----------|-------------|--------------------|-----|
| | K0200100002 | WASHER, SPRING M10 | 8 |

<Indication of the connecting point shown on the other page>

(Example and description)



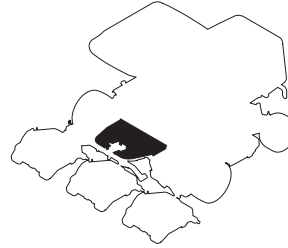
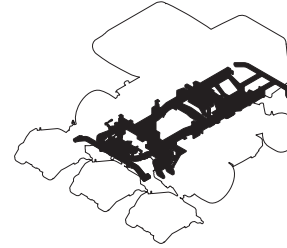

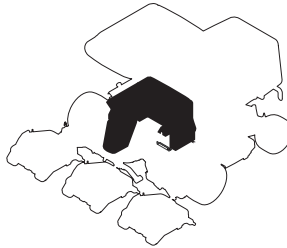
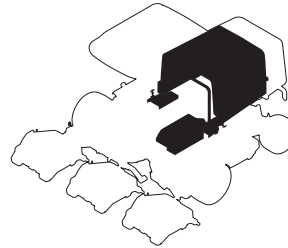
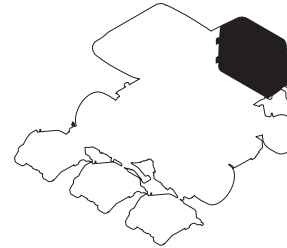
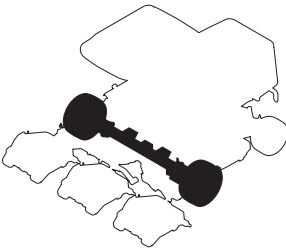
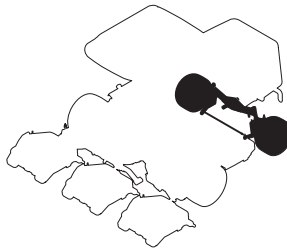

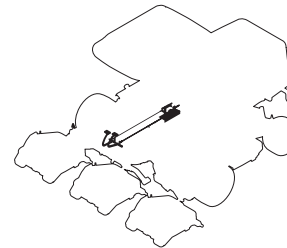
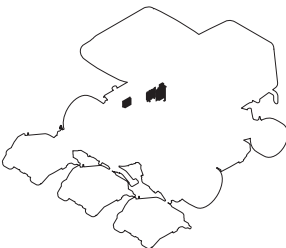

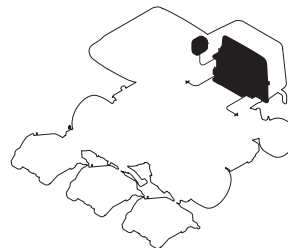
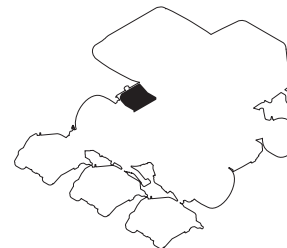
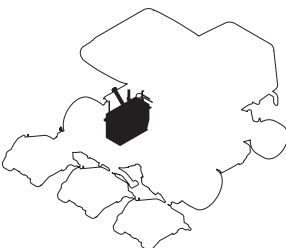
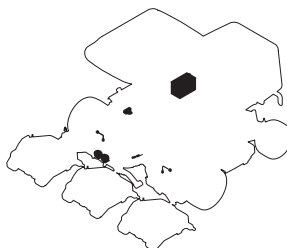
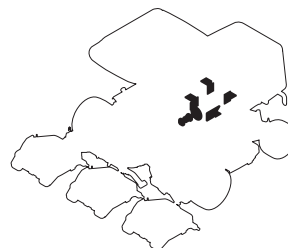

The following indication shows the connecting point of the part shown on the other page.

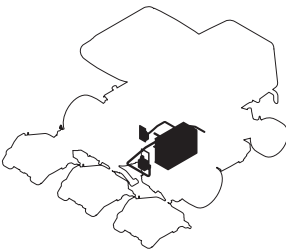
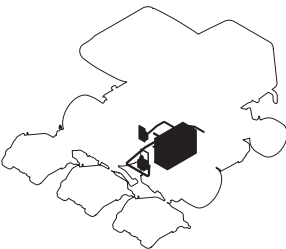

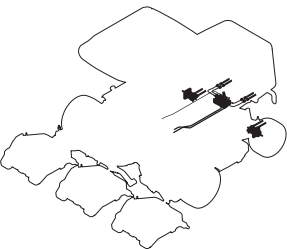
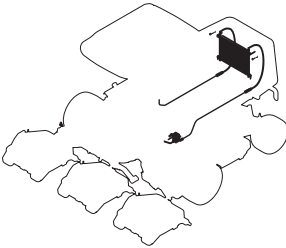
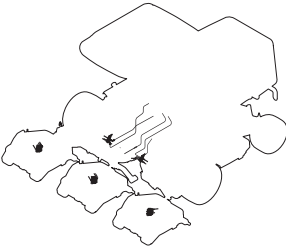
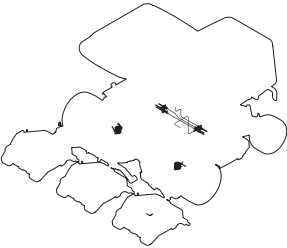



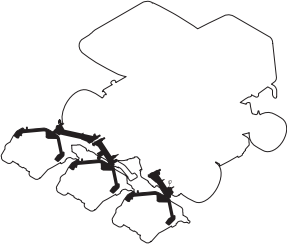


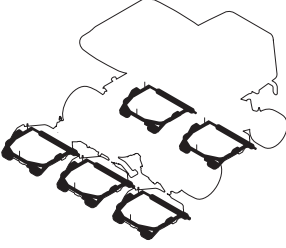
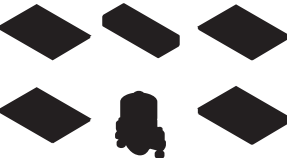


→ 1- **A** : Refer to the point **A** in the illustration of the section No.1

→ 2- **B** : Refer to the point **B** in the illustration of the section No.2

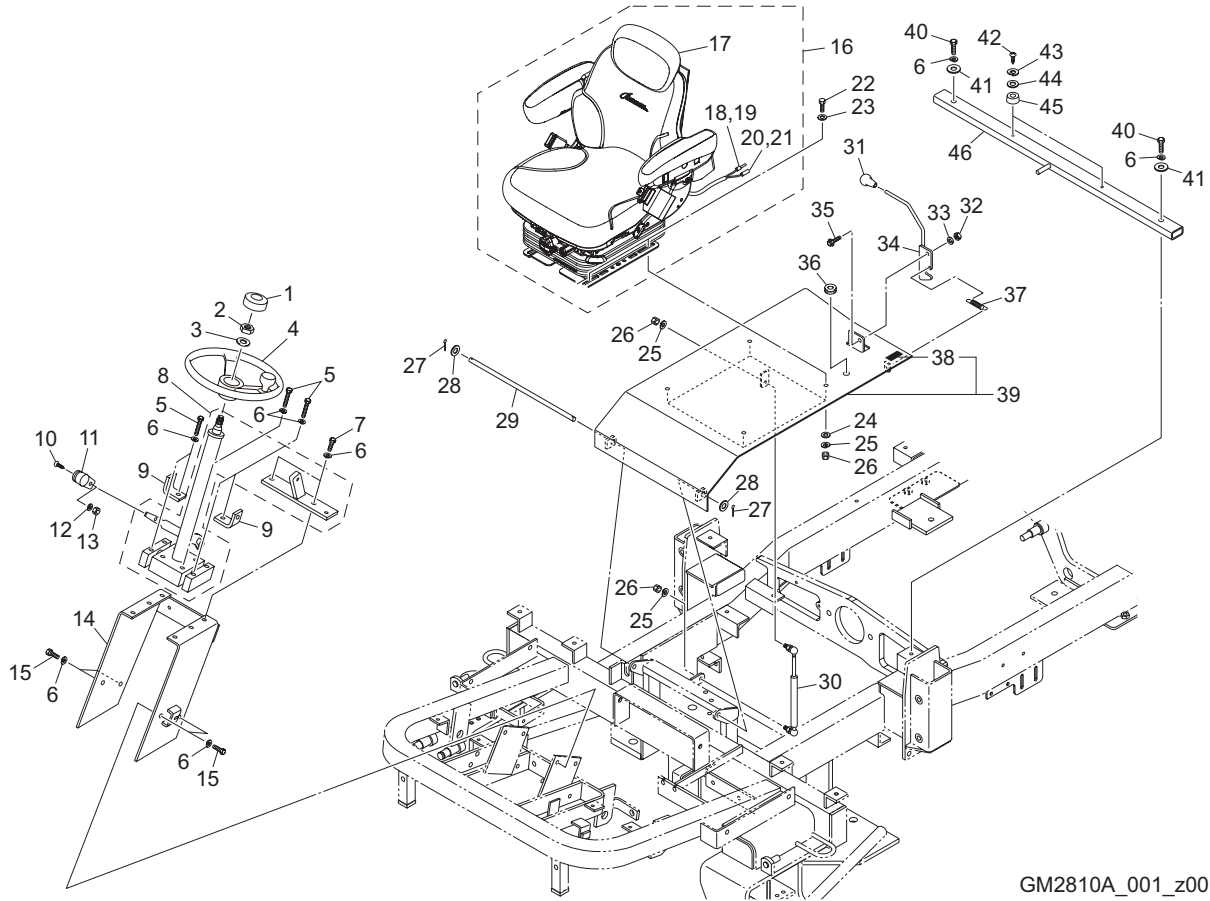
Contents

| | | | |
|--|---|---|--|
| 1. Frame section A P3  | A1. Frame section A P5  | 2. Frame section B P7  | 3. Frame section C P9  |
| 4. Frame section D P10  | 5. Cover section A P12  | 6. Cover section B P13  | 7. Cover section C P15  |
| 8. Front wheel section P16  | 9. Rear wheel section P18  | 10. Brake section P20  | 11. Forward/backward pedal section P22  |
| 12. Engine section A P24  | 13. Engine section B P26  | 14. Engine section C P28  | 15. Engine section D P30  |
| 16. Engine section E P31  | 17. Engine section F P32  | 18. Engine section G P33  | 19. Hydraulic section A P34  |

| | | | |
|--|--|--|--|
| <p>20. Hydraulic section B P35</p>  | <p>A20. Hydraulic section B P37</p>  | <p>21. Hydraulic section C P39</p>  | <p>22. Hydraulic section D P41</p>  |
| <p>23. Hydraulic section E P42</p>  | <p>24. Hydraulic section F P44</p>  | <p>25. Hydraulic section G P46</p>  | <p>26. Hydraulic section H P47</p>  |
| <p>27. Hydraulic section J P49</p>  | <p>28. Hydraulic section K P51</p>  | <p>29. Lift arm front section P53</p>  | <p>30. Lift arm rear section P55</p>  |
| <p>A31. Deck section A P57</p>  | <p>A32. Deck section B P59</p>  | <p>33. Accessory section P60</p>  | |

1. Frame section A

GM2810A

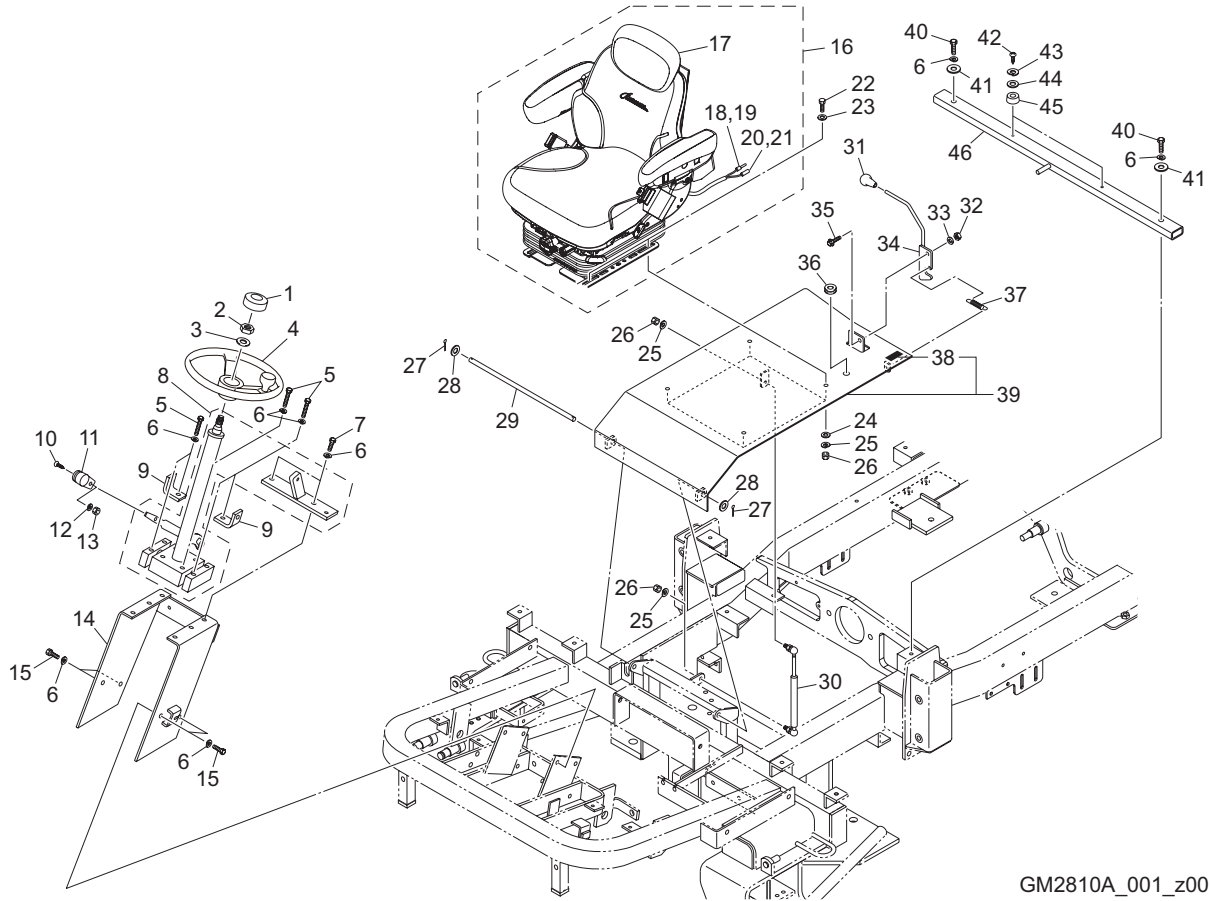


GM2810A_001_z00

| Cat No. | Code No. | Part name | Qty | Remark | SN of application |
|---------|---------------|---------------------------------------|-----|--------|-------------------|
| 1-1 | K131000130 | CAP, RUBBER | 1 | | |
| 1-2 | K0103140002 | NUT, P1.5 M14 | 1 | | |
| 1-3 | K0200140002 | WASHER, SPRING M14 | 1 | | |
| 1-4 | K1710000070 | STEERING, W/KNOB V027220-0000 | 1 | | |
| 1-5 | K0000100502 | BOLT, M10-50 | 8 | | |
| 1-6 | K0200100002 | WASHER, SPRING M10 | 16 | | |
| 1-7 | K0000100202 | BOLT, M10-20 | 2 | | |
| 1-8 | K1730000060 | COLUMN, STEERING TILT TYPE | 1 | | |
| 1-9 | LM2700-0931ZD | MOUNT, FRONT COVER | 2 | | |
| 1-10 | K0042050082 | SCREW, + ROUND HEAD M5-8 | 1 | | |
| 1-11 | K1301000150 | GRIP, PLASTIC THROTTLE LEVER | 1 | | |
| 1-12 | K0200050002 | WASHER, SPRING M5 | 1 | | |
| 1-13 | K0100050002 | NUT, M5 | 1 | | |
| 1-14 | LM2700-0602ZD | MOUNT, HANDLE | 1 | | |
| 1-15 | K0000100152 | BOLT, M10-15 | 4 | | |
| 1-16 | K1700000440 | SEAT COMP, SGA 18118 W/SUSPENSION | 1 | | 11042- |
| 1-17 | K1700000420 | SEAT, SGA18118 W/SUSPENSION | 1 | | |
| 1-18 | K3622000210 | CONNECTOR, MALE CA104 | 1 | | |
| 1-19 | K3622000220 | SLEEVE, INSULATED FOR CONNECTOR CA104 | 1 | | |
| 1-20 | K3622000230 | CONNECTOR, FEMALE CB104 | 1 | | |
| 1-21 | K3622000240 | SLEEVE, INSULATED FOR CONNECTOR CB104 | 1 | | |
| 1-22 | K0000080252 | BOLT, M8-25 | 4 | | |
| 1-23 | K5012308242 | WASHER, SPCC 2.3-8-24 | 4 | | |
| 1-24 | K5000080002 | WASHER, M8 | 4 | | |
| 1-25 | K0200080002 | WASHER, SPRING M8 | 6 | | |
| 1-26 | K0100080002 | NUT, M8 | 6 | | |
| 1-27 | K0300032252 | PIN, COTTER M3.2-25 | 2 | | |
| 1-28 | K5000120002 | WASHER, M12 | 2 | | |
| 1-29 | LM2700-0609Z2 | SHAFT, W/HOLES M12-333 | 1 | | |
| 1-30 | K3381000010 | GAS-SPRING, C25 | 1 | | |

1. Frame section A

GM2810A

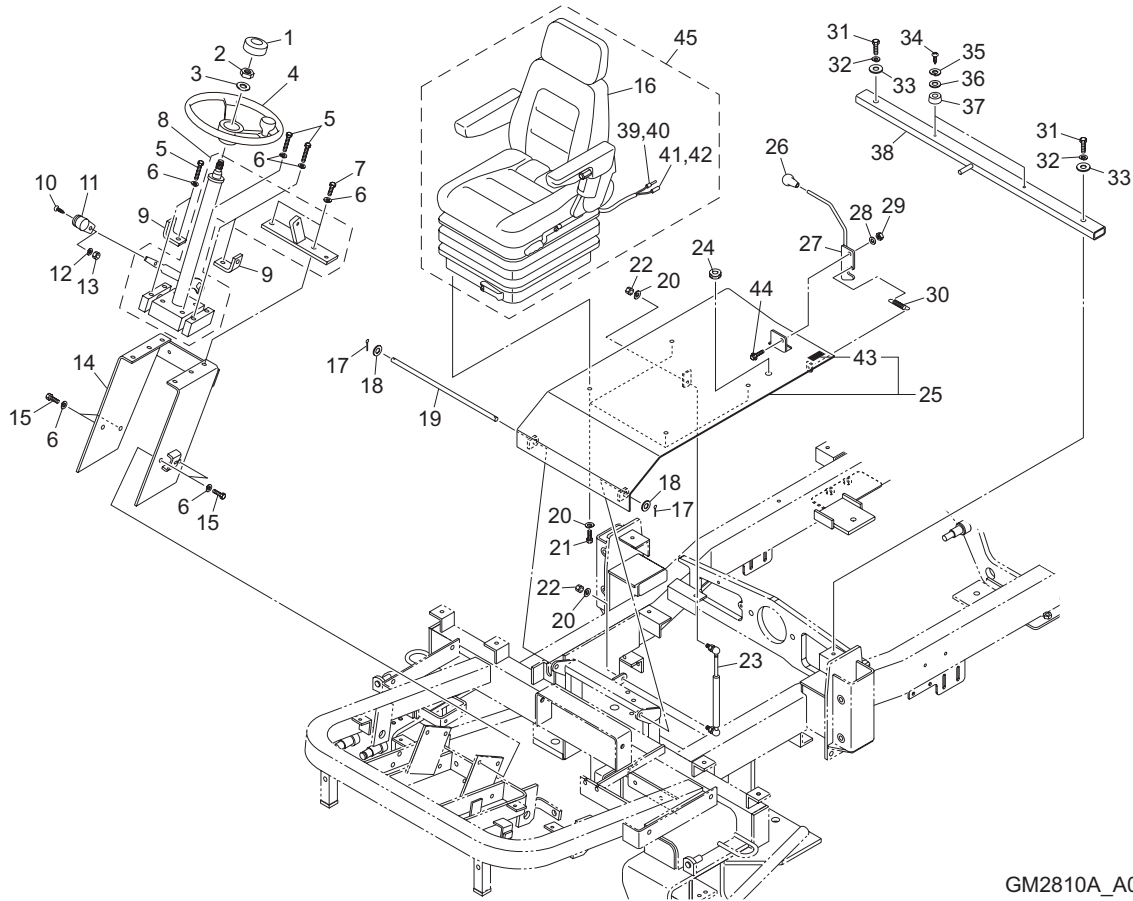


GM2810A_001_z00

| Cat No. | Code No. | Part name | Qty | Remark | SN of application |
|---------|---------------|-------------------------------|-----|--------|-------------------|
| 1-31 | K1300000040 | GRIP, RUBBER BLACK 9-35.5 | 1 | | |
| 1-32 | K0144100002 | NUT, W/F-RING M10 | 1 | | |
| 1-33 | K5000100002 | WASHER, M10 | 1 | | |
| 1-34 | LM2700-0607ZD | LEVER | 1 | | |
| 1-35 | K0000100252 | BOLT, M10-25 | 1 | | |
| 1-36 | K0910000020 | GROMMET, C30NG79H | 1 | | |
| 1-37 | K1030000098 | SPRING, W/U HOOK M1.6-12-66.8 | 1 | | |
| 1-38 | K4205001580 | DECAL, CAUTION TO INJURE | 1 | | |
| 1-39 | GM2810-3601Z0 | BRACKET ASSY, SEAT | 1 | | |
| 1-40 | K0000100402 | BOLT, M10-40 | 2 | | |
| 1-41 | K5073210352 | WASHER, SPHC 3.2-10-35 | 2 | | |
| 1-42 | K0042050152 | SCREW, + ROUND HEAD M5-15 | 2 | | |
| 1-43 | K0200050002 | WASHER, SPRING M5 | 2 | | |
| 1-44 | K5000050002 | WASHER, M5 | 2 | | |
| 1-45 | K4039000130 | RUBBER, TK-3220 | 2 | | |
| 1-46 | LM2700-0608BD | RECEIVER, SEAT | 1 | | |
| | | | | | |
| | | | | | |

A1. Frame section A

GM2810A

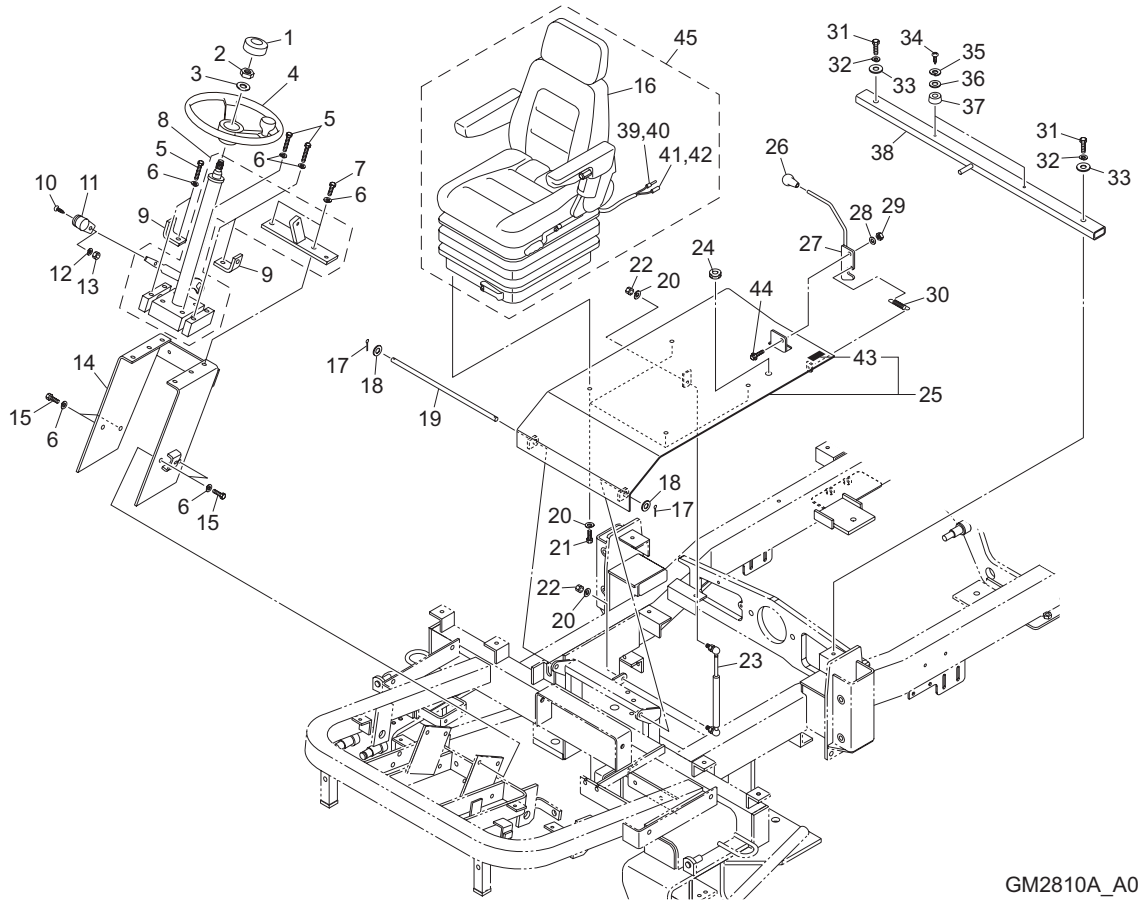


GM2810A_A01_z00

| Cat No. | Code No. | Part name | Qty | Remark | SN of application |
|---------|---------------|-------------------------------|-----|--------|-------------------|
| A1-1 | K131000130 | CAP, RUBBER | 1 | | |
| A1-2 | K0103140002 | NUT, P1.5 M14 | 1 | | |
| A1-3 | K0200140002 | WASHER, SPRING M14 | 1 | | |
| A1-4 | K1710000070 | STEERING, W/KNOB V027220-0000 | 1 | | |
| A1-5 | K0000100502 | BOLT, M10-50 | 8 | | |
| A1-6 | K0200100002 | WASHER, SPRING M10 | 14 | | |
| A1-7 | K0000100202 | BOLT, M10-20 | 2 | | |
| A1-8 | K1730000060 | COLUMN, STEERING TILT TYPE | 1 | | |
| A1-9 | LM2700-0931ZD | MOUNT, FRONT COVER | 2 | | |
| A1-10 | K0042050082 | SCREW, + ROUND HEAD M5-8 | 1 | | |
| A1-11 | K1301000150 | GRIP, PLASTIC THROTTLE LEVER | 1 | | |
| A1-12 | K0200050002 | WASHER, SPRING M5 | 1 | | |
| A1-13 | K0100050002 | NUT, M5 | 1 | | |
| A1-14 | LM2700-0602ZD | MOUNT, HANDLE | 1 | | |
| A1-15 | K0000100152 | BOLT, M10-15 | 4 | | |
| A1-16 | K1700000250 | SEAT, DS85H/90 | 1 | | |
| A1-17 | K0300032252 | PIN, COTTER M3.2-25 | 2 | | |
| A1-18 | K5000120002 | WASHER, M12 | 2 | | |
| A1-19 | LM2700-0609Z2 | SHAFT, W/HOLES M12-333 | 1 | | |
| A1-20 | K0200080002 | WASHER, SPRING M8 | 6 | | |
| A1-21 | K0000080202 | BOLT, M8-20 | 4 | | |
| A1-22 | K0100080002 | NUT, M8 | 2 | | |
| A1-23 | K3381000010 | GAS-SPRING, C25 | 1 | | |
| A1-24 | K0910000020 | GROMMET, C30NG79H | 1 | | |
| A1-25 | GM2810-3601Z0 | BRACKET ASSY, SEAT | 1 | | |
| A1-26 | K1300000040 | GRIP, RUBBER BLACK 9-35.5 | 1 | | |
| A1-27 | LM2700-0607ZD | LEVER | 1 | | |
| A1-28 | K5000100002 | WASHER, M10 | 1 | | |
| A1-29 | K0144100002 | NUT, W/F-RING M10 | 1 | | |
| A1-30 | K1030000098 | SPRING, W/U HOOK M1.6-12-66.8 | 1 | | |

A1. Frame section A

GM2810A

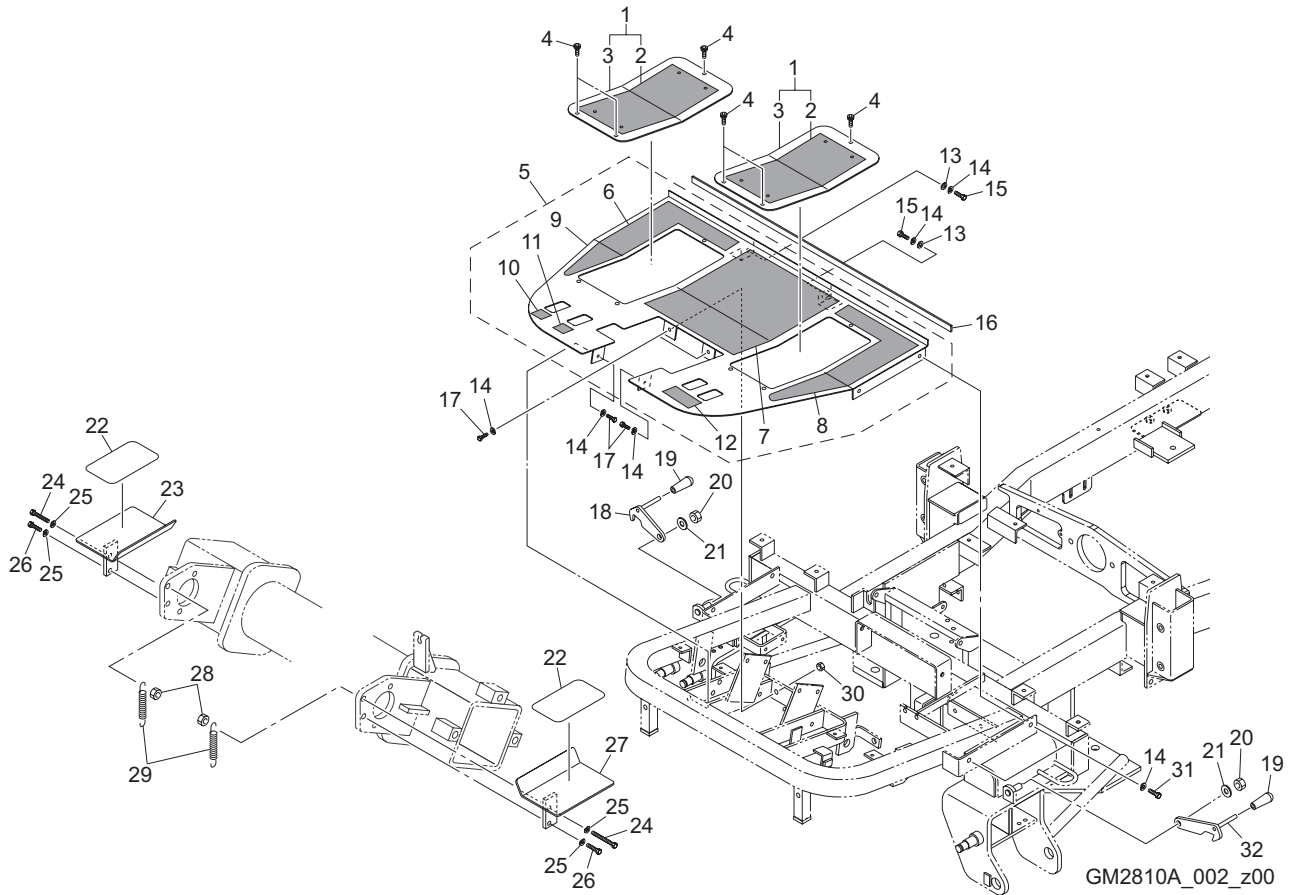


GM2810A_A01_z00

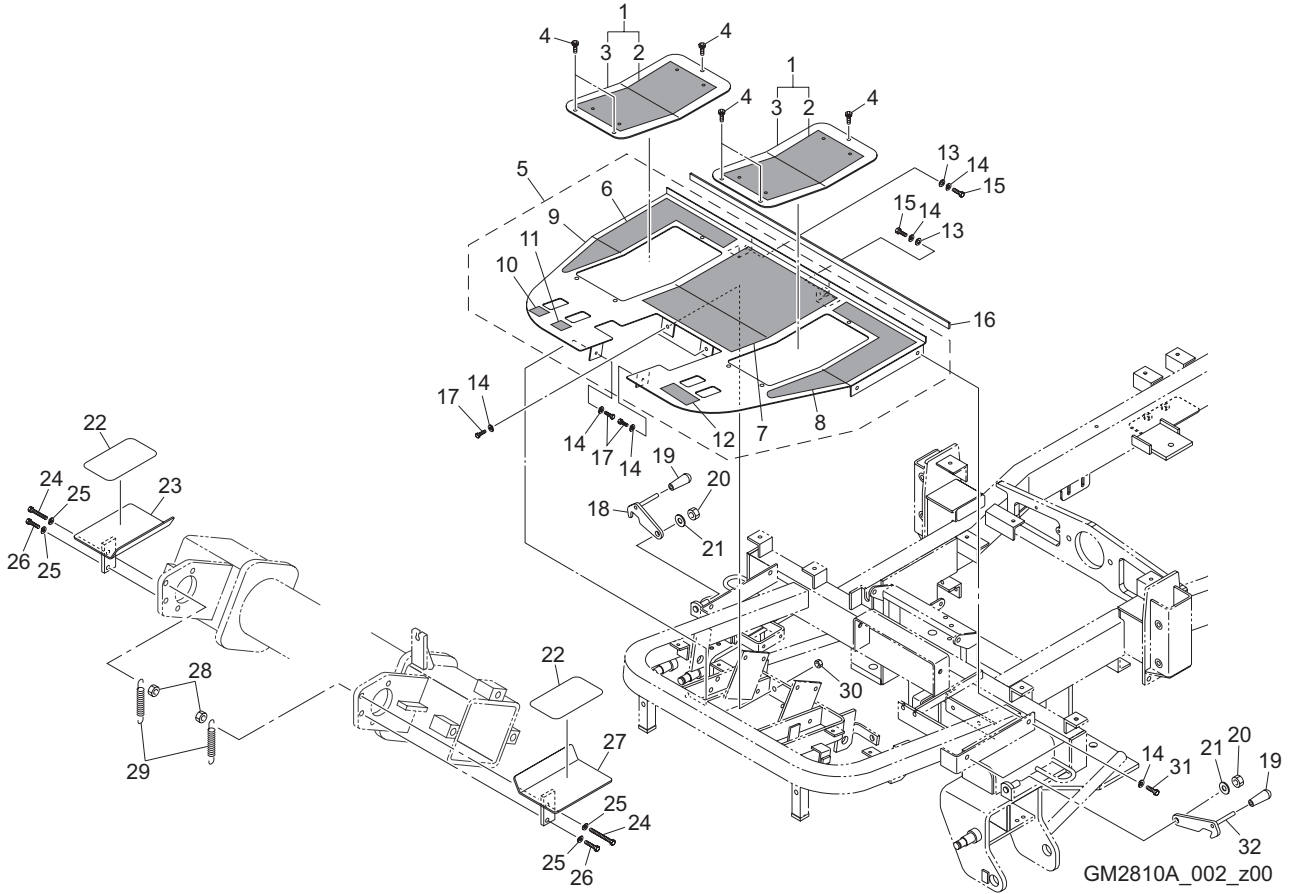
| Cat No. | Code No. | Part name | Qty | Remark | SN of application |
|---------|---------------|---------------------------------------|-----|--------|-------------------|
| A1-31 | K0000100402 | BOLT, M10-40 | 2 | | |
| A1-32 | K0200100002 | WASHER, SPRING M10 | 2 | | |
| A1-33 | K5073210352 | WASHER, SPHC 3.2-10-35 | 2 | | |
| A1-34 | K0042050152 | SCREW, + ROUND HEAD M5-15 | 2 | | |
| A1-35 | K0200050002 | WASHER, SPRING M5 | 2 | | |
| A1-36 | K5000050002 | WASHER, M5 | 2 | | |
| A1-37 | K4039000130 | RUBBER, TK-3220 | 2 | | |
| A1-38 | LM2700-0608BD | RECEIVER, SEAT | 1 | | |
| A1-39 | K3622000210 | CONNECTOR, MALE CA104 | 1 | | |
| A1-40 | K3622000220 | SLEEVE, INSULATED FOR CONNECTOR CA104 | 1 | | |
| A1-41 | K3622000230 | CONNECTOR, FEMALE CB104 | 1 | | |
| A1-42 | K3622000240 | SLEEVE, INSULATED FOR CONNECTOR CB104 | 1 | | |
| A1-43 | K4205001580 | DECAL, CAUTION TO INJURE | 1 | | |
| A1-44 | K0000100252 | BOLT, M10-25 | 1 | | |
| A1-45 | K1700000390 | SEAT COMP, DS85H/90 | 1 | | -11041 |
| | | | | | |
| | | | | | |
| | | | | | |

2. Frame section B

GM2810A



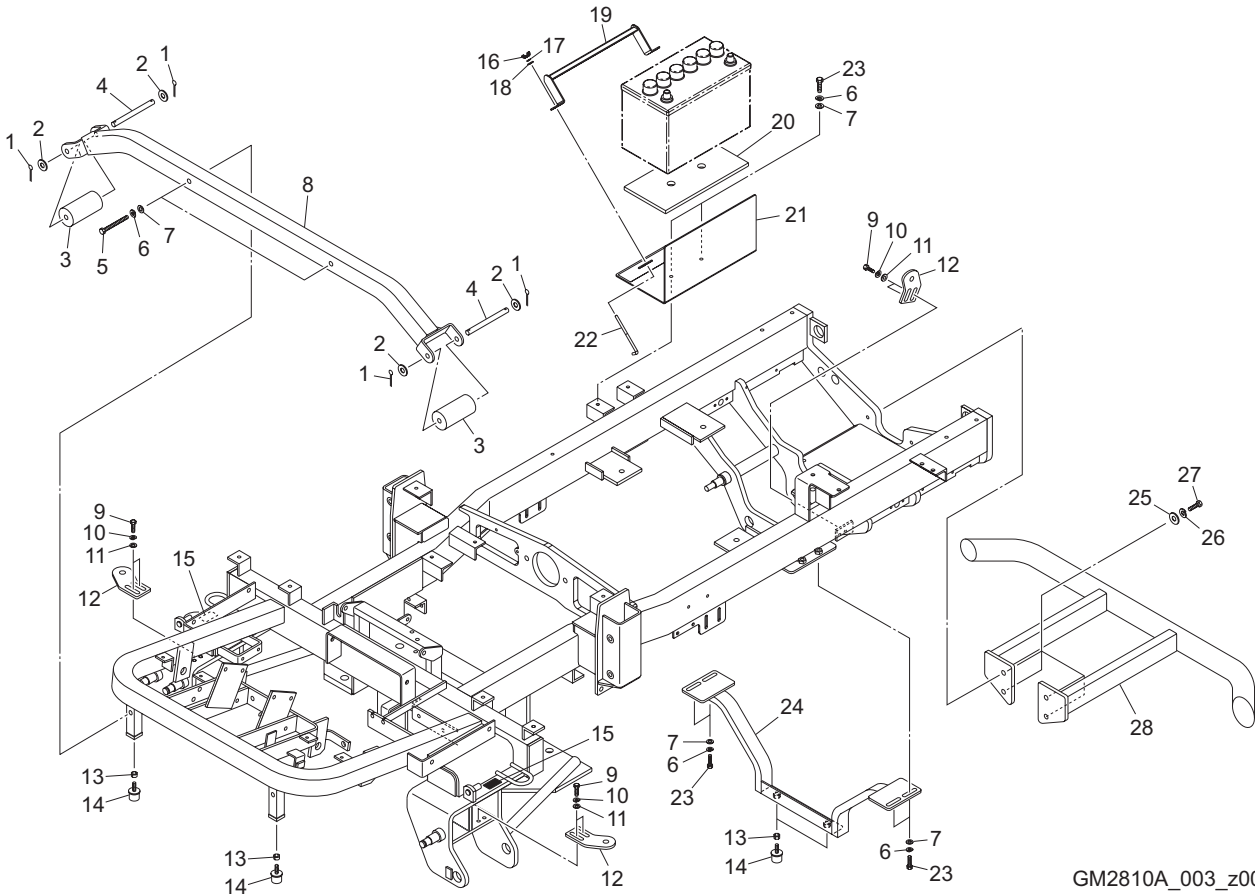
| Cat No. | Code No. | Part name | Qty | Remark | SN of application |
|---------|---------------|-------------------------------------|-----|--------|-------------------|
| 2-1 | LM2700-0641Z0 | COVER COMP, STEP | 2 | | |
| 2-2 | K4400000080 | SHEET, NONSKID 346186 | 2 | | |
| 2-3 | LM2700-0621AD | COVER, STEP | 2 | | |
| 2-4 | K0062080122 | BOLT, BUTTON HEAD W/HEX HOLE M8-12 | 6 | | |
| 2-5 | LM2700-0640Z0 | STEP COMP | 1 | | |
| 2-6 | K4400000070 | SHEET, NONSKID (RH) | 1 | | |
| 2-7 | K4400000100 | SHEET, NONSKID (CENTER) | 1 | | |
| 2-8 | K4400000060 | SHEET, NONSKID (LH) | 1 | | |
| 2-9 | LM2700-0620BD | STEP | 2 | | |
| 2-10 | K4203001440 | DECAL, BACKWARD | 1 | | |
| 2-11 | K4203001430 | DECAL, FORWARD | 1 | | |
| 2-12 | K4203001450 | DECAL, BRAKE | 1 | | |
| 2-13 | K5000080002 | WASHER, M8 | 2 | | |
| 2-14 | K0200080002 | WASHER, SPRING M8 | 10 | | |
| 2-15 | K0000080252 | BOLT, M8-25 | 2 | | |
| 2-16 | K3198608900 | TRIM, SEAL 6100-16A-890 | 1 | | |
| 2-17 | K0000080202 | BOLT, M8-20 | 4 | | |
| 2-18 | GM2800-0621AD | LEVER, LOCKING #4 | 1 | | |
| 2-19 | K1300000110 | GRIP, RUBBER YELLOW 9-22 | 2 | | |
| 2-20 | K0145140002 | NUT, W/F-RING M14 P1.5 | 2 | | |
| 2-21 | K0210140002 | SPRING, CONICAL DISC L M14 | 2 | | |
| 2-22 | K4400000030 | SHEET, NONSKID FOR PEDAL 100170 | 2 | | |
| 2-23 | GM2800-0624AD | STEP, (RH) | 1 | | |
| 2-24 | K0000120702 | BOLT, M12-70 | 2 | | |
| 2-25 | K0200120002 | WASHER, SPRING M12 | 4 | | |
| 2-26 | K0000120302 | BOLT, M12-30 | 4 | | |
| 2-27 | GM2800-0623AD | STEP, (LH) | 1 | | |
| 2-28 | K0144120002 | NUT, W/F-RING M12 | 2 | | |
| 2-29 | K1020000218 | SPRING, W/ROUND HOOK M1.6-18.2-65.6 | 2 | | |
| 2-30 | K0100080002 | NUT, M8 | 2 | | |



| Cat No. | Code No. | Part name | Qty | Remark | SN of application |
|---------|---------------|-------------------|-----|--------|-------------------|
| 2-31 | K0000080152 | BOLT, M8-15 | 4 | | |
| 2-32 | GM2800-0622AD | LEVER, LOCKING #5 | 1 | | |
| | | | | | |
| | | | | | |
| | | | | | |
| | | | | | |
| | | | | | |
| | | | | | |
| | | | | | |
| | | | | | |

3. Frame section C

GM2810A

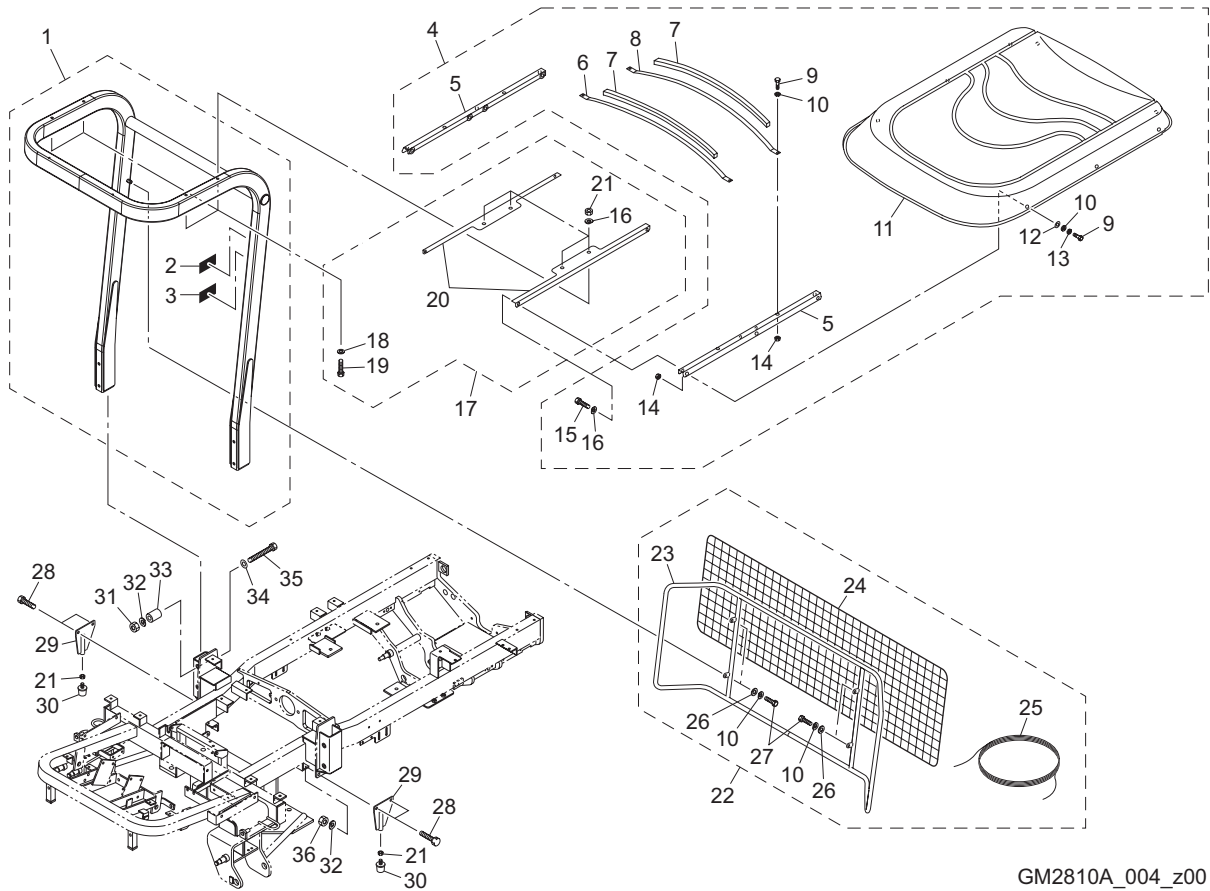


GM2810A_003_z00

| Cat No. | Code No. | Part name | Qty | Remark | SN of application |
|---------|---------------|------------------------------|-----|--------|-------------------|
| 3-1 | K0300032222 | PIN, COTTER M3.2-22 | 4 | | |
| 3-2 | K5000140002 | WASHER, M14 | 4 | | |
| 3-3 | GM2800-0628Z0 | RUBBER, ROLLER 120 | 2 | | |
| 3-4 | GM2800-0629Z2 | SHAFT, ROLLER 155 | 2 | | |
| 3-5 | K0000101002 | BOLT, M10-100 | 2 | | |
| 3-6 | K0200100002 | WASHER, SPRING M10 | 8 | | |
| 3-7 | K5000100002 | WASHER, M10 | 8 | | |
| 3-8 | GM2800-0614ZD | GUIDE, ARM | 1 | | |
| 3-9 | K0000080202 | BOLT, M8-20 | 6 | | |
| 3-10 | K0200080002 | WASHER, SPRING M8 | 6 | | |
| 3-11 | K5000080002 | WASHER, M8 | 6 | | |
| 3-12 | LM2700-0625ZD | BRACKET, SWITCH | 3 | | |
| 3-13 | K0100100002 | NUT, M10 | 4 | | |
| 3-14 | K4049050000 | STOPPER, RUBBER KI-50 | 2 | | |
| 3-15 | K4205001900 | DECAL, CAUTION MOWER LOCK | 2 | | |
| 3-16 | K0141060002 | NUT, WING M6-3 | 2 | | |
| 3-17 | K0200060002 | WASHER, SPRING M6 | 2 | | |
| 3-18 | K5012306162 | WASHER, SPCC 2.3-6-16 | 2 | | |
| 3-19 | GM2810-0603ZD | CLAMP, BATTERY | 1 | | |
| 3-20 | K4035000140 | RUBBER, ISOLATOR FOR BATTERY | 1 | | |
| 3-21 | GM2810-0602ZD | BASE, BATTERY | 1 | | |
| 3-22 | K6171000312 | ROD, W/M6 | 2 | | |
| 3-23 | K0000100202 | BOLT, M10-20 | 6 | | |
| 3-24 | GM2800-0620ZD | STOPPER, REAR DECK | 1 | | |
| 3-25 | K5000120002 | WASHER, M12 | 4 | | |
| 3-26 | K0200120002 | WASHER, SPRING M12 | 4 | | |
| 3-27 | K0010120302 | BOLT, HT P1.75 M12-30 | 4 | | |
| 3-28 | GM2800-0617ZD | BUMPER | 1 | | |

4. Frame section D

GM2810A

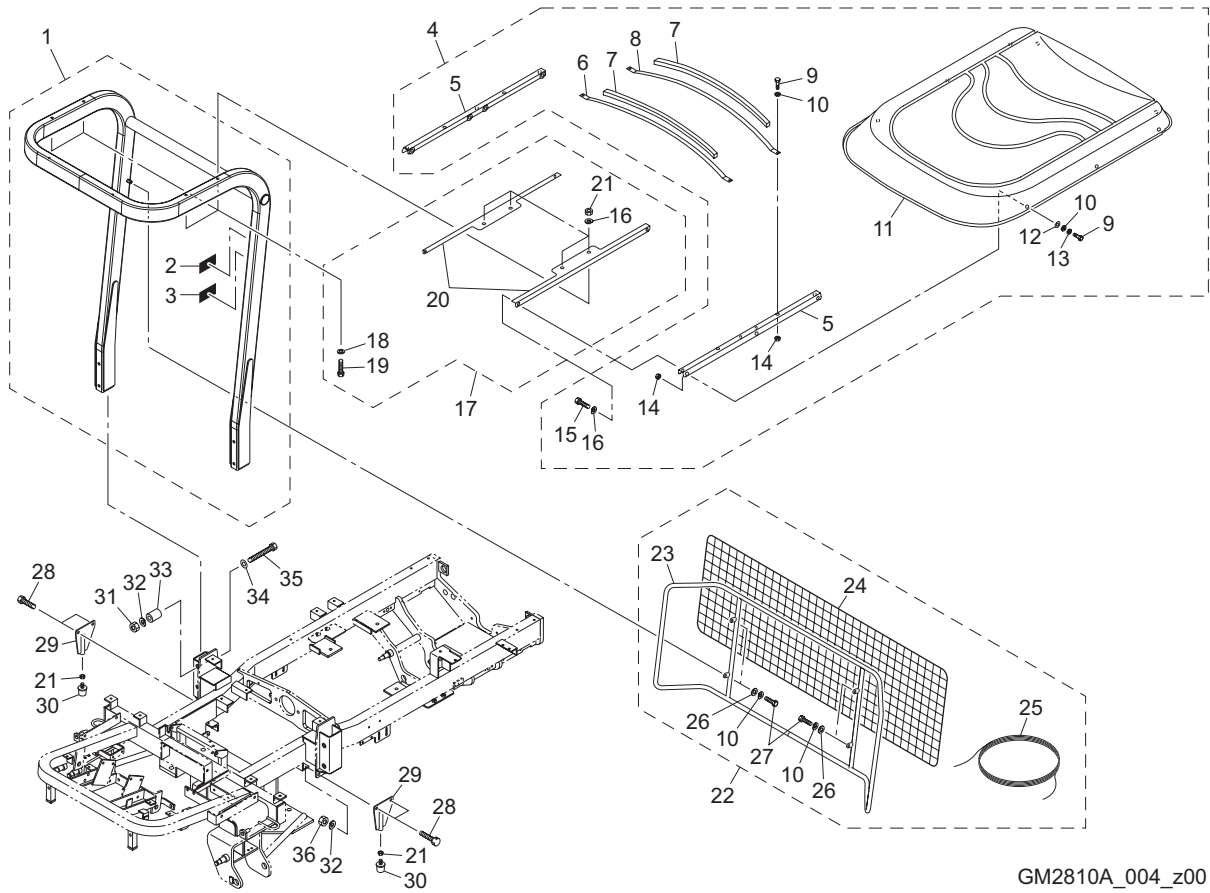


GM2810A_004_z00

| Cat No. | Code No. | Part name | Qty | Remark | SN of application |
|---------|---------------|-------------------------------|-----|--------|-------------------|
| 4-1 | GM2810-1304Z0 | ROPS ASSY | 1 | | -11014 |
| 4a-1 | GM2810-1304A0 | ROPS ASSY | 1 | | 11015- |
| 4-2 | K4209001500 | LABEL, ROPS COMPLIANCE | 1 | | |
| 4-3 | K4205001710 | DECAL, CAUTION TO ROPS | 1 | | |
| 4-4 | K9120000030 | ROOF ASSY | 1 | | |
| 4-5 | K190000011D | SUPPORT, HOOD | 2 | | |
| 4-6 | K190000010D | ARCH, B | 1 | | |
| 4-7 | K1900000120 | SPONGE, URETHANE 20-20840 | 2 | | |
| 4-8 | K190000009D | ARCH, A | 1 | | |
| 4-9 | K0000080202 | BOLT, M8-20 | 10 | | |
| 4-10 | K0200080002 | WASHER, SPRING M8 | 10 | | |
| 4-11 | K1900000080 | ROOF | 1 | | |
| 4-12 | K1900000130 | RUBBER, FOR ROOF | 6 | | |
| 4-13 | K5012308322 | WASHER, SPCC 2.3-8-32 | 6 | | |
| 4-14 | K0100080002 | NUT, M8 | 8 | | |
| 4-15 | K0000100202 | BOLT, M10-20 | 4 | | |
| 4-16 | K0200100002 | WASHER, SPRING M10 | 8 | | |
| 4-17 | K9120000050 | BRACKET SET, FOR AWNING FRAME | 1 | | |
| 4-18 | K5000100002 | WASHER, M10 | 4 | | |
| 4-19 | K0000101002 | BOLT, M10-100 | 4 | | |
| 4-20 | K520500040D | PLATE, FOR FIXING ROOF | 2 | | |
| 4-21 | K0100100002 | NUT, M10 | 6 | | |
| 4-22 | K8990000040 | NET ASSY, PROTECTION | 1 | | |
| 4-23 | K789900128D | PIPE, FOR BALL PROOF NET | 1 | | |
| 4-24 | K4130000020 | NET, PROTECTION 550*1375 S | 1 | | |
| 4-25 | K4140000020 | ROPE, 2-6700S | 2 | | |
| 4-26 | K5000080002 | WASHER, M8 | 4 | | |
| 4-27 | K0000080152 | BOLT, M8-15 | 4 | | |
| 4-28 | K0000120302 | BOLT, M12-30 | 4 | | |
| 4-29 | GM2810-0604ZD | STOPPER | 2 | | |

4. Frame section D

GM2810A

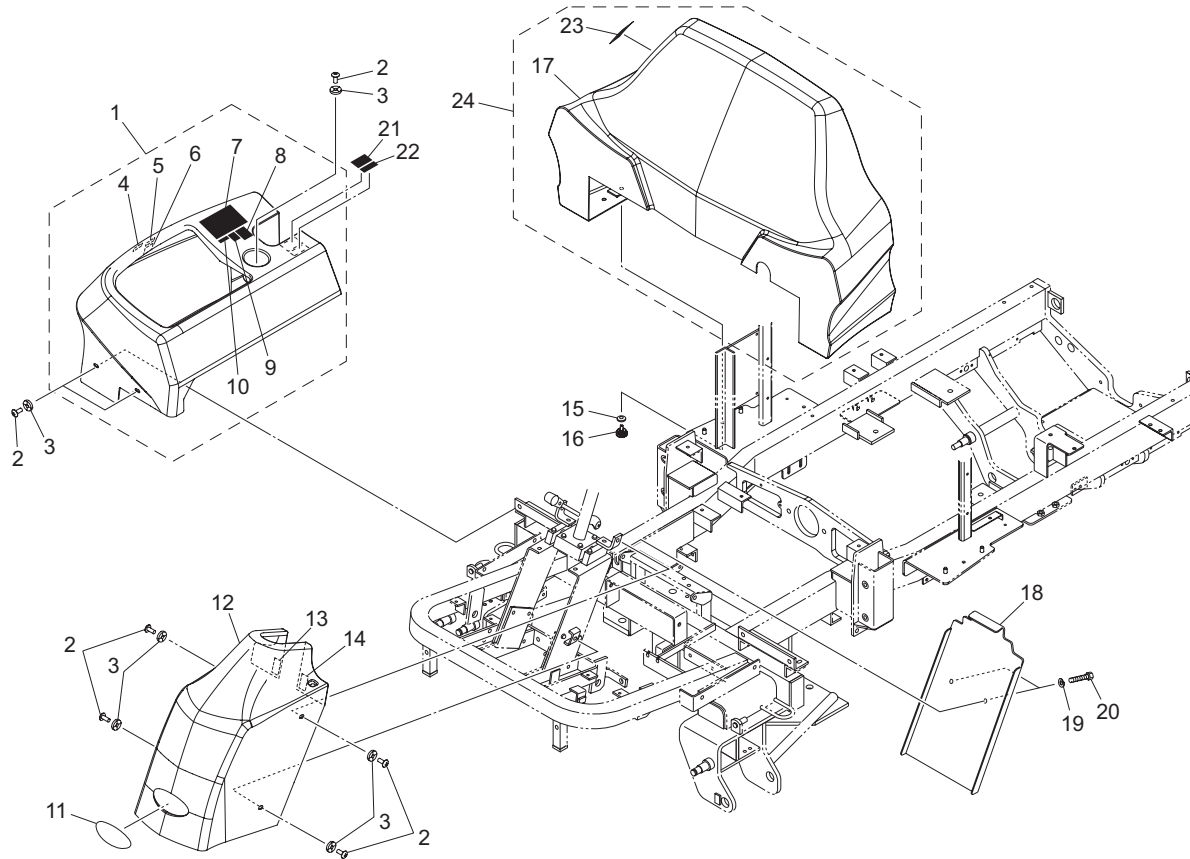


GM2810A_004_z00

| Cat No. | Code No. | Part name | Qty | Remark | SN of application |
|---------|---------------|-----------------------|-----|--------|-------------------|
| 4-30 | K4049050000 | STOPPER, RUBBER KI-50 | 2 | | |
| 4-31 | K0191120001 | NUT, 10T SCM435H M12 | 4 | | |
| 4-32 | K0200120002 | WASHER, SPRING M12 | 8 | | |
| 4-33 | GM2810-1302Z2 | COLLAR, SECURING | 4 | | |
| 4-34 | K5000120002 | WASHER, M12 | 4 | | |
| 4-35 | K0013121102 | BOLT, HT M12-110 | 4 | | |
| 4-36 | K0100120002 | NUT, M12 | 4 | | |
| | | | | | |
| | | | | | |
| | | | | | |
| | | | | | |
| | | | | | |

5. Cover section A

GM2810A

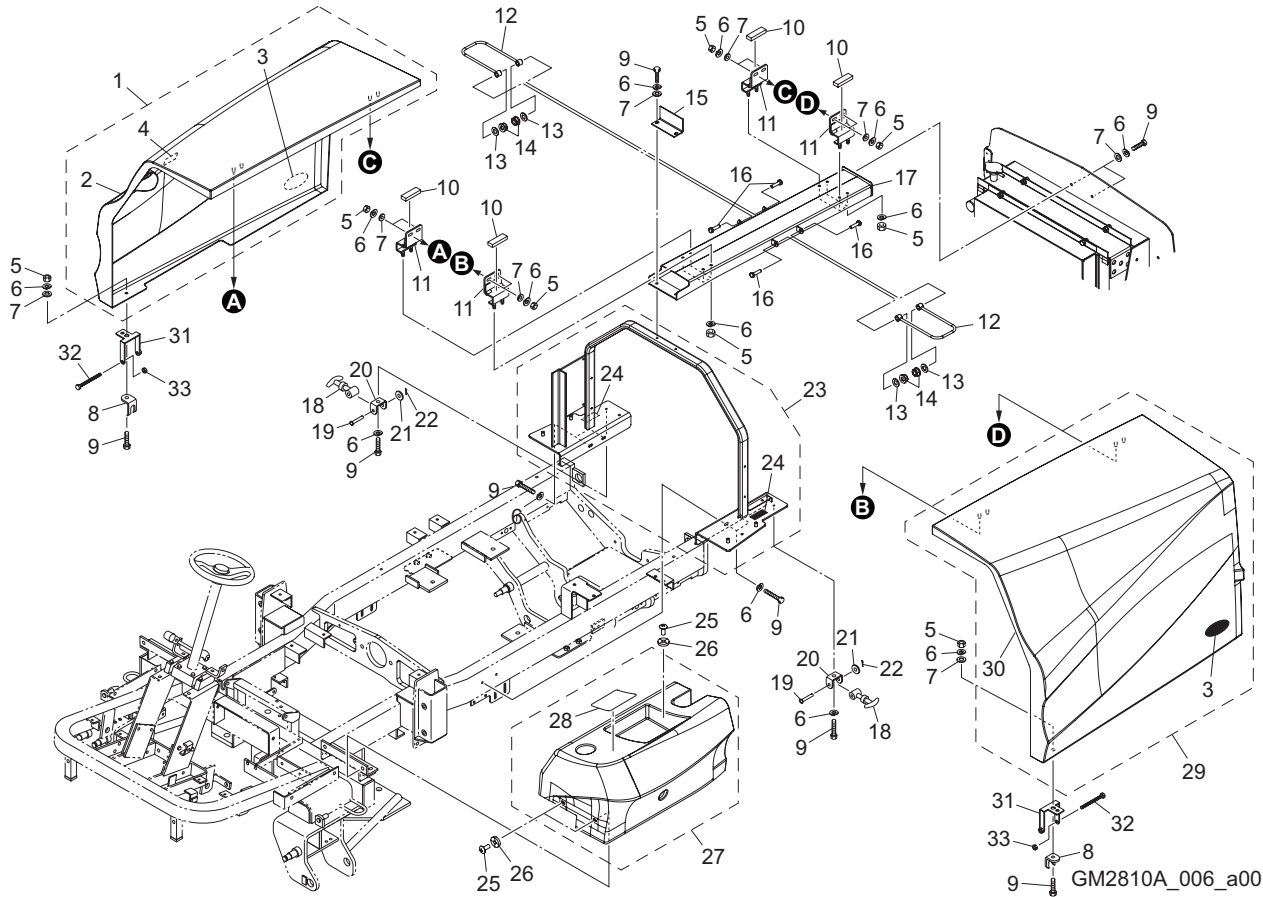


GM2810A_005_a00

| Cat No. | Code No. | Part name | Qty | Remark | SN of application |
|---------|---------------|--|-----|--------|-------------------|
| 5a-1 | GM2810-1601B0 | COVER COMP, TANK (RH) | 1 | | |
| 5-2 | K0056080200 | SCREW, SUS + TRUSS M8-20 | 7 | | |
| 5-3 | K4031000070 | RUBBER, VIBRATION PROOF 5-825 | 7 | | |
| 5-4 | K4205001940 | DECAL, CAUTION FIRE | 1 | | |
| 5-5 | K4209001530 | DECAL, INDICATING DIESEL FUEL | 1 | | |
| 5-6 | K4209001000 | DECAL, DIESEL FUEL REFUELING HOLE | 1 | | |
| 5-7 | K4205001630 | DECAL, START/STOP | 1 | | |
| 5a-8 | K4209000720 | STICKER NOISE LEVEL Lwa 105 | 1 | | |
| 5-9 | K4205002090 | DECAL, CAUTION TO NOISE | 2 | | |
| 5-10 | K4205001950 | DECAL, CAUTION EXHAUST GAS | 1 | | |
| 5-11 | K4201000570 | STICKER, BARONESS | 1 | | |
| 5-12 | GM2810-0905Z0 | COVER, FRONT | 1 | | |
| 5-13 | K4203001350 | STICKER, TILT STEERING | 1 | | |
| 5-14 | K4203001340 | STICKER, PARKING BRAKE | 1 | | |
| 5-15 | K0210080002 | SPRING, CONICAL DISC L M8 | 2 | | |
| 5-16 | K1320000250 | KNOB, DIMPLE M8-16 | 2 | | |
| 5-17 | GM2810-0908Z0 | COVER, CENTER | 1 | | |
| 5-18 | LM2700-0951ZD | COVER, FRONT (REAR) | 1 | | |
| 5-19 | K0200080002 | WASHER, SPRING M8 | 2 | | |
| 5-20 | K0000080152 | BOLT, M8-15 | 2 | | |
| 5a-21 | K4205002140 | LABEL, WARNING CA P65 FOR RIDING MOWER | 1 | | |
| 5a-22 | K4205002200 | DECAL, WARNING SPARK ARRESTER | 1 | | |
| 5a-23 | K4209001540 | DECAL, MAINTENANCE | 1 | | |
| 5a-24 | GM2810-1603Z0 | COVER COMP, CENTER | 1 | | |
| | | | | | |

6. Cover section B

GM2810A

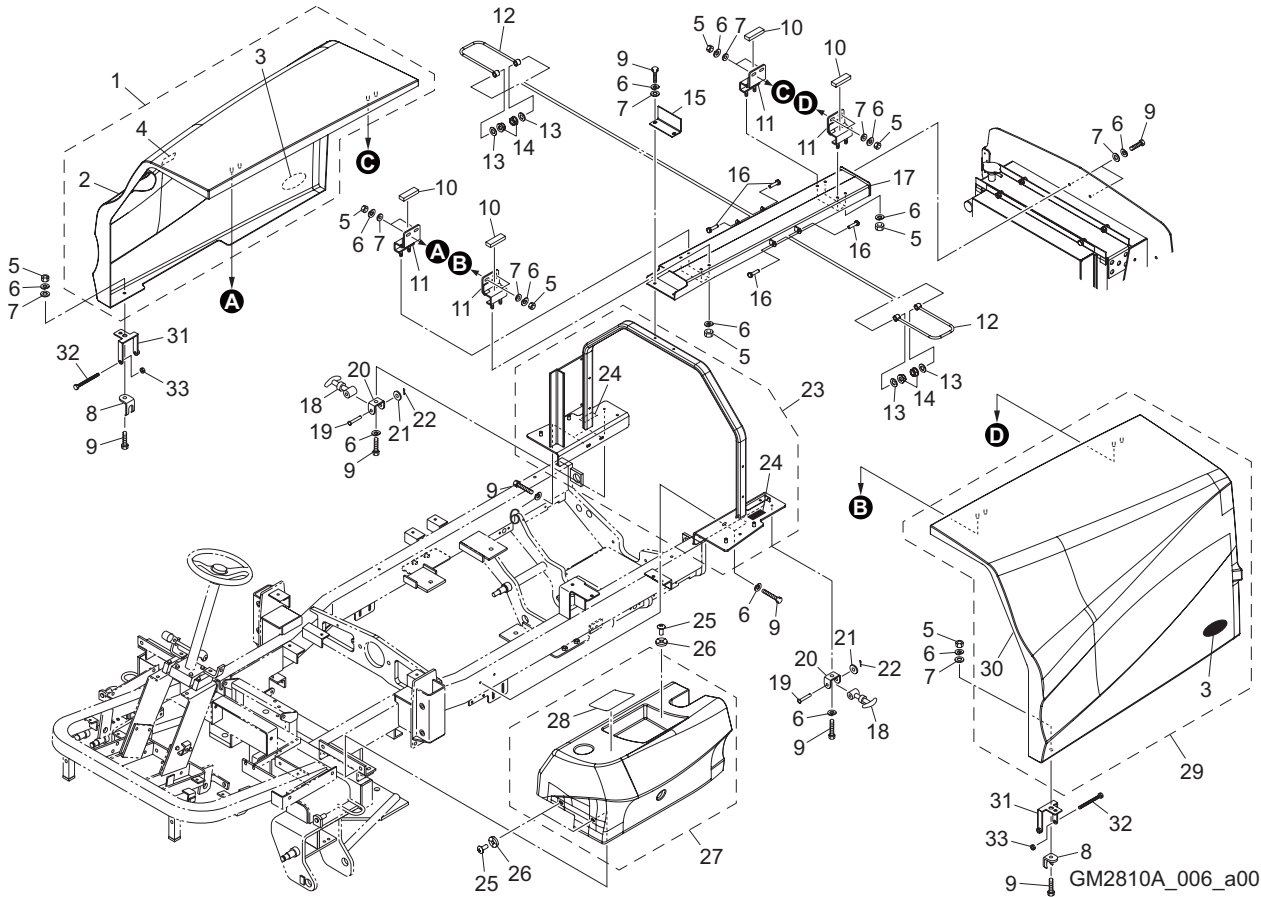


GM2810A_006_a00

| Cat No. | Code No. | Part name | Qty | Remark | SN of application |
|---------|---------------|----------------------------------|-----|--------|-------------------|
| 6-1 | GM2810A3901Z0 | COVER COMP, SIDE (RH) | 1 | | |
| 6-2 | GM2810-0911Z0 | COVER, SIDE (RH) | 1 | | |
| 6-3 | GM2810A0904Z0 | DECAL, GM2810 MARK | 2 | | |
| 6-4 | K4205001920 | DECAL, CAUTION TO HOT PARTS | 1 | | |
| 6-5 | K0100080002 | NUT, M8 | 18 | | |
| 6-6 | K0200080002 | WASHER, SPRING M8 | 28 | | |
| 6-7 | K5000080002 | WASHER, M8 | 14 | | |
| 6-8 | K5270002352 | RECEIVER, RUBBER HOOK | 2 | | |
| 6-9 | K0000080202 | BOLT, M8-20 | 12 | | |
| 6-10 | K4228000120 | SPONGE, RUBBER 5-15-80 | 4 | | |
| 6-11 | GM2800-0920Z0 | HINGE ASSY | 4 | | |
| 6-12 | GM2800-0945Z2 | STAY, FOR HOOD | 2 | | |
| 6-13 | K5000100002 | WASHER, M10 | 4 | | |
| 6-14 | K0144100002 | NUT, W/F-RING M10 | 4 | | |
| 6-15 | GM2800-0930ZD | RETAINER, COVER | 1 | | |
| 6-16 | K0000100402 | BOLT, M10-40 | 4 | | |
| 6-17 | GM2810-0922ZD | MOUNT, COVER | 1 | | |
| 6-18 | K1520000090 | HOOK, RUBBER SMALL | 2 | | |
| 6-19 | K6030060352 | PIN, FLAT HEAD M6-35 | 2 | | |
| 6-20 | K5200000102 | BRACKET, RUBBER HOOK | 2 | | |
| 6-21 | K5000060002 | WASHER, M6 | 2 | | |
| 6-22 | K0300016202 | PIN, COTTER M1.6-20 | 2 | | |
| 6-23 | GM2810-3906Z0 | FRAME COMP, COVER | 1 | | |
| 6-24 | K4205001930 | DECAL, CAUTION TO INJURE | 2 | | |
| 6-25 | K0056080200 | SCREW, SUS + TRUSS M8-20 | 3 | | |
| 6-26 | K4031000070 | RUBBER, VIBRATION PROOF 5-825 | 3 | | |
| 6-27 | GM2810-3902B0 | COVER COMP, TANK (LH) | 1 | | |
| 6a-28 | K4204000140 | STICKER, CHART OF CUTTING HEIGHT | 1 | | |
| 6-29 | GM2810A3902Z0 | COVER COMP, SIDE (LH) | 1 | | |
| 6-30 | GM2810-0914Z0 | COVER, SIDE L | 1 | | |

6. Cover section B

GM2810A

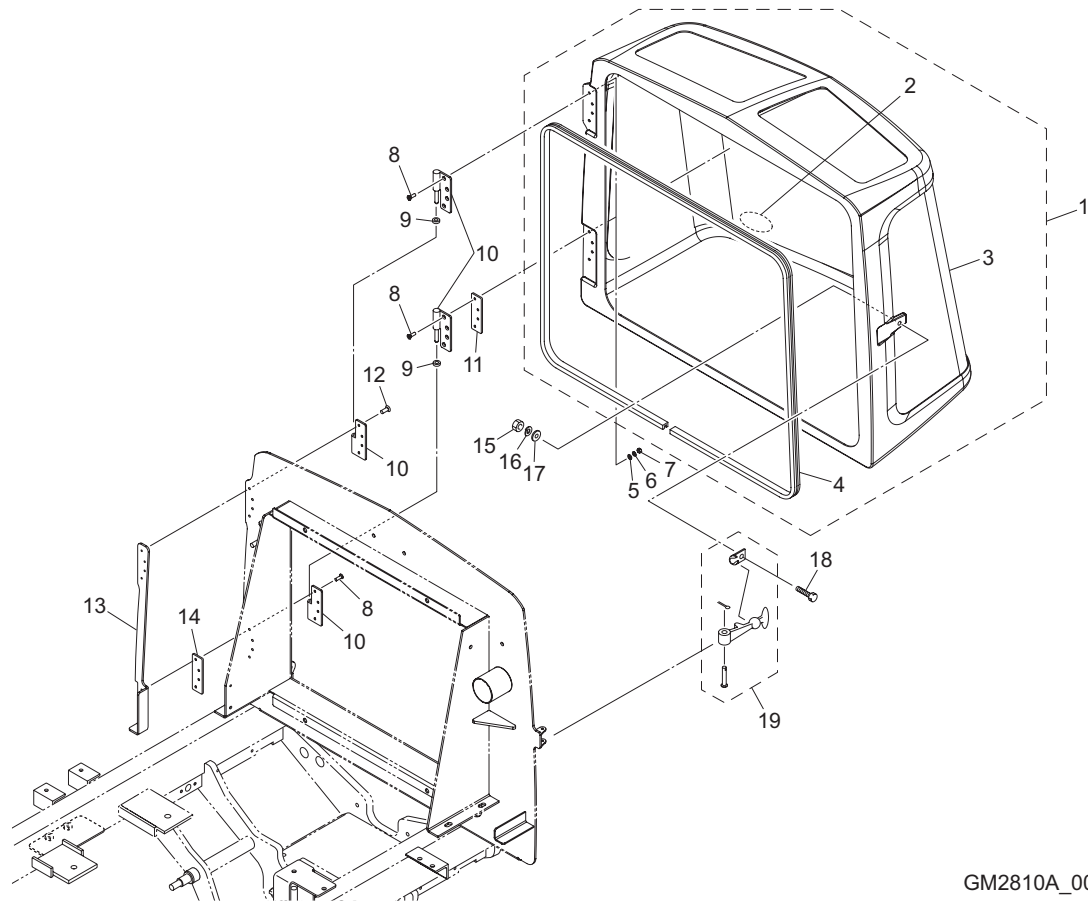


GM2810A_006_a00

| Cat No. | Code No. | Part name | Qty | Remark | SN of application |
|---------|-------------|----------------------------|-----|--------|-------------------|
| 6a-31 | K7355000702 | FITTING, RUBBER CATCH LOCK | 2 | | |
| 6a-32 | K0000060452 | BOLT, M6-45 | 2 | | |
| 6a-33 | K0144060002 | NUT, W/F-RING M6 | 2 | | |
| | | | | | |
| | | | | | |
| | | | | | |
| | | | | | |
| | | | | | |
| | | | | | |
| | | | | | |

7. Cover section C

GM2810A

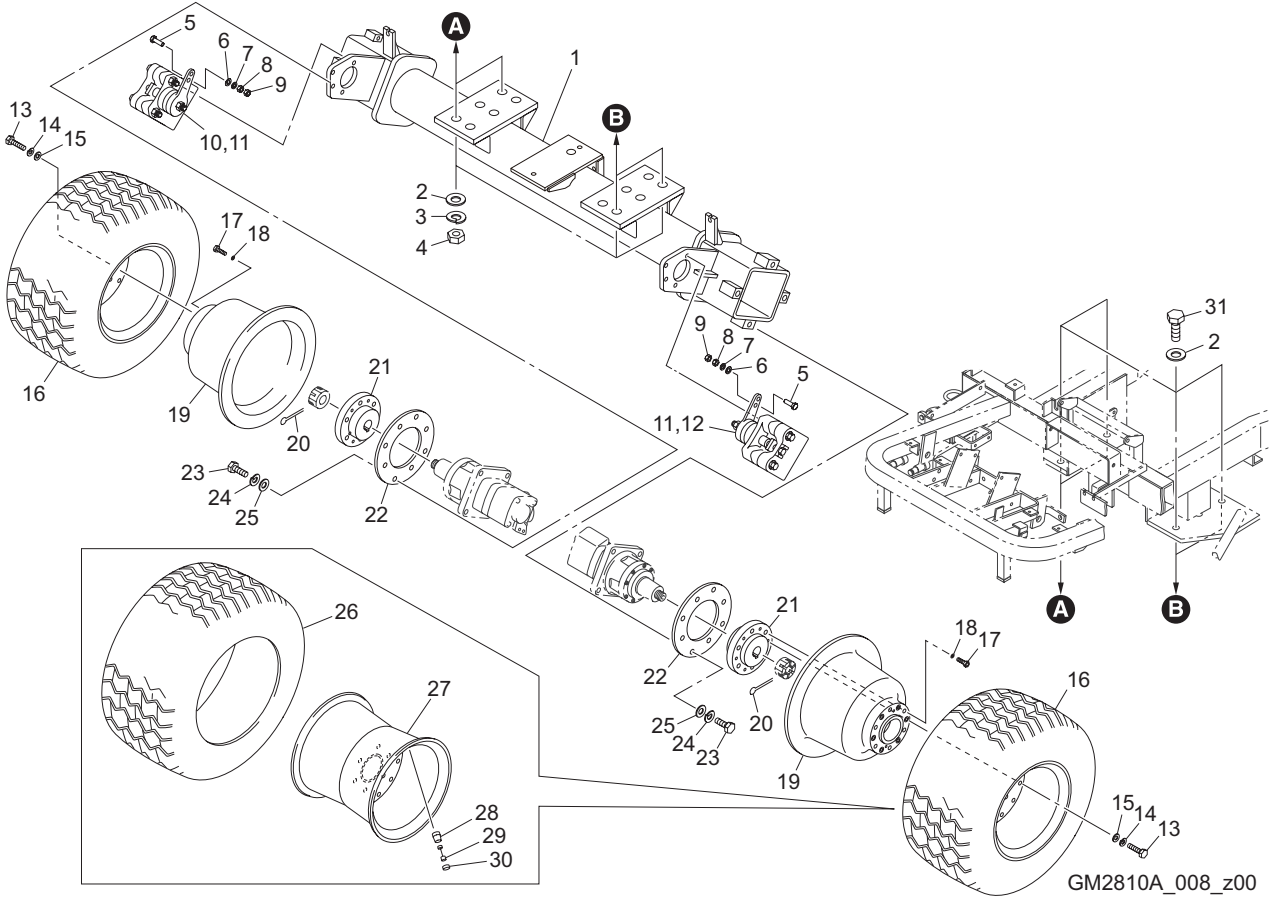


GM2810A_007_z00

| Cat No. | Code No. | Part name | Qty | Remark | SN of application |
|---------|---------------|--------------------------|-----|----------------|-------------------|
| 7-1 | GM2810-3905A0 | COVER, COMP RADIATOR | 1 | | |
| 7-2 | K4201000570 | STICKER, BARONESS | 1 | | |
| 7-3 | GM2810-0916A0 | COVER, RADIATOR | 1 | | |
| 7-4 | K3198430000 | TRIM, SEAL 6100-32A-3000 | 1 | | |
| 7-5 | K5000050002 | WASHER, M5 | 8 | | |
| 7-6 | K0200050002 | WASHER, SPRING M5 | 8 | | |
| 7-7 | K0100050002 | NUT, M5 | 8 | | |
| 7-8 | K0041050162 | SCREW, + FLAT HEAD M5-16 | 1 | | -11010 |
| 7a-8 | K0041050162 | SCREW, + FLAT HEAD M5-16 | 2 | | 11011- |
| 7-9 | K6210000202 | COLLAR, SS41 8.2-16-5.2 | 2 | | |
| 7-10 | K4521000030 | HINGE, B-1065-11-R | 2 | | |
| 7-11 | GM2810-0925ZD | SPACER, RADIATOR COVER | 0-1 | for adjustment | |
| 7-12 | K0041050122 | SCREW, + FLAT HEAD M5-12 | 8 | | -11010 |
| 7a-12 | K0041050122 | SCREW, + FLAT HEAD M5-12 | 1 | | 11011- |
| 7-13 | GM2810-0503ZD | PLATE, MOUNTING COVER | 1 | | |
| 7-14 | GM2810-0925ZD | SPACER, RADIATOR COVER | 1 | | 11011- |
| 7-15 | K0100060002 | NUT, M6 | 1 | | |
| 7-16 | K0200060002 | WASHER, SPRING M6 | 1 | | |
| 7-17 | K5011606202 | WASHER, SPCC 1.6-6-20 | 1 | | |
| 7-18 | K0000060302 | BOLT, M6-30 | 1 | | |
| 7-19 | K1520000030 | HOOK ASSY, RUBBER | 1 | | |
| | | | | | |

8. Front wheel section

GM2810A

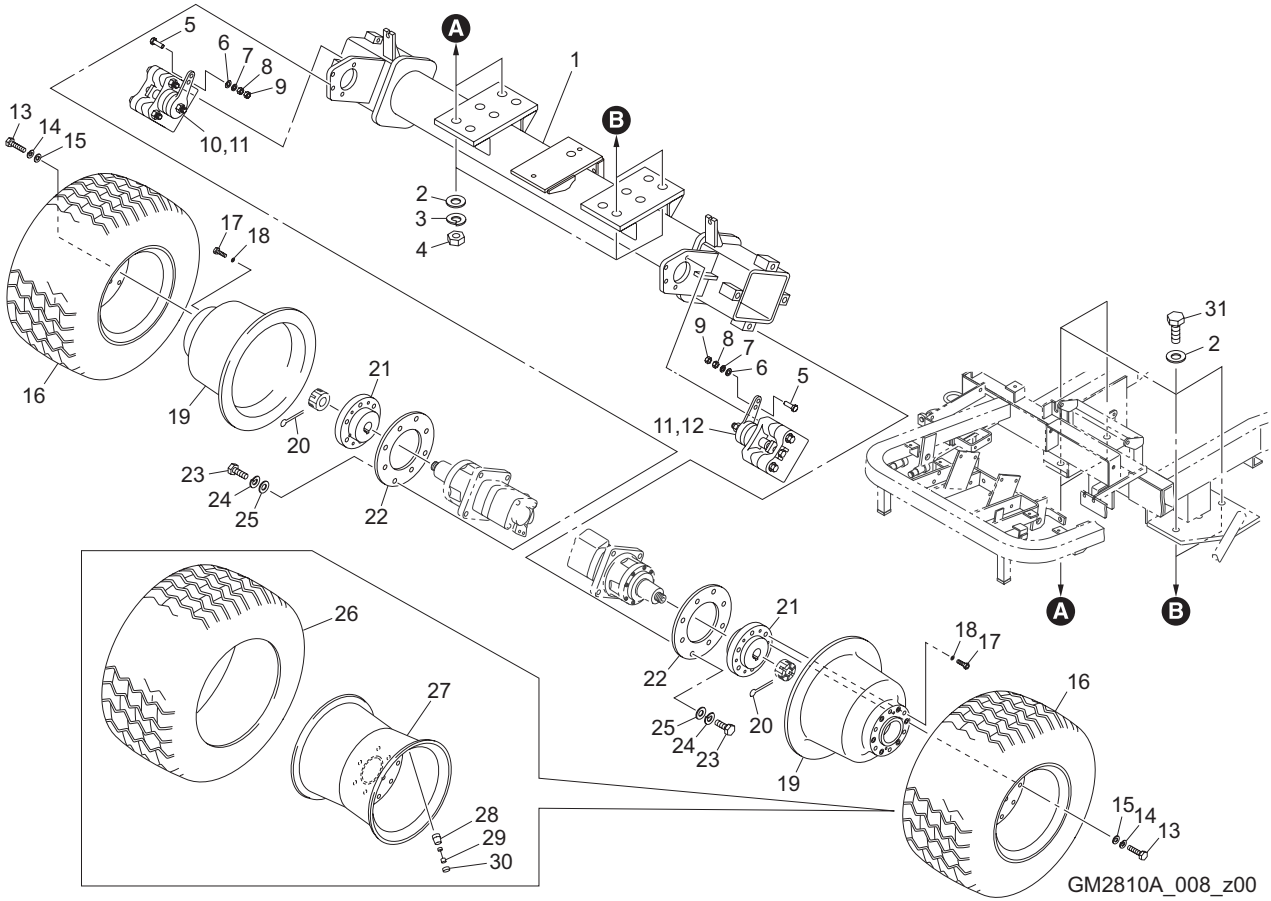


GM2810A_008_z00

| Cat No. | Code No. | Part name | Qty | Remark | SN of application |
|---------|---------------|---------------------------------|-----|--------|-------------------|
| 8-1 | LM2700-0308ZD | AXLE, FRONT | 1 | | |
| 8-2 | K5000200002 | WASHER, M20 | 8 | | |
| 8-3 | K0200200002 | WASHER, SPRING M20 | 4 | | |
| 8-4 | K0152200002 | NUT, NYLON P1.5 M20 | 4 | | |
| 8-5 | K0000080302 | BOLT, M8-30 | 2 | | |
| 8-6 | K5000080002 | WASHER, M8 | 2 | | |
| 8-7 | K0200080002 | WASHER, SPRING M8 | 2 | | |
| 8-8 | K0100080002 | NUT, M8 | 2 | | |
| 8-9 | K0144080002 | NUT, W/F-RING M8 | 2 | | |
| 8-10 | K1720000270 | BRAKE ASSY, CW | 1 | | |
| 8-11 | Y34835.39 | KIT, BRAKE LINING (REPLACEMENT) | 2 | | |
| 8-12 | K1720000260 | BRAKE ASSY, CCW | 1 | | |
| 8-13 | K0014120652 | BOLT, HT P1.5 M12-65 | 12 | | |
| 8-14 | K0200120002 | WASHER, SPRING M12 | 12 | | |
| 8-15 | K5000120002 | WASHER, M12 | 12 | | |
| 8-16 | K2040000830 | TIRE ASSY, 29*14.00-15TL | 2 | | |
| 8-17 | K001A080401 | BOLT, 13T W/HEX HOLE M8-40 | 12 | | |
| 8-18 | K0215080002 | WASHER, DISK SPRING 2H M8 | 12 | | |
| 8-19 | LM2700-0305ZD | DISK, BRAKE | 2 | | |
| 8-20 | K0300040502 | PIN, COTTER M4-50 | 2 | | |
| 8-21 | LM2700-0306ZD | MOUNT, WHEEL | 2 | | |
| 8-22 | LM2700-0307Z2 | PLATE, MOUNTING MOTOR | 2 | | |
| 8-23 | K0014160402 | BOLT, HT P1.5 M16-40 | 8 | | |
| 8-24 | K0200160002 | WASHER, SPRING M16 | 8 | | |
| 8-25 | K5000160002 | WASHER, M16 | 8 | | |
| 8-26 | K2041000400 | TIRE, 29*14.00-15UL | 2 | | |
| 8-27 | K209000083D | WHEEL, 15*13LT | 2 | | |
| 8-28 | K2097000050 | VALVE, RIM TR415 | 2 | | |
| 8-29 | K2092000020 | CORE, VALVE NO.9000 | 2 | | |
| 8-30 | K2093000010 | CAP, VALVE | 2 | | |

8. Front wheel section

GM2810A

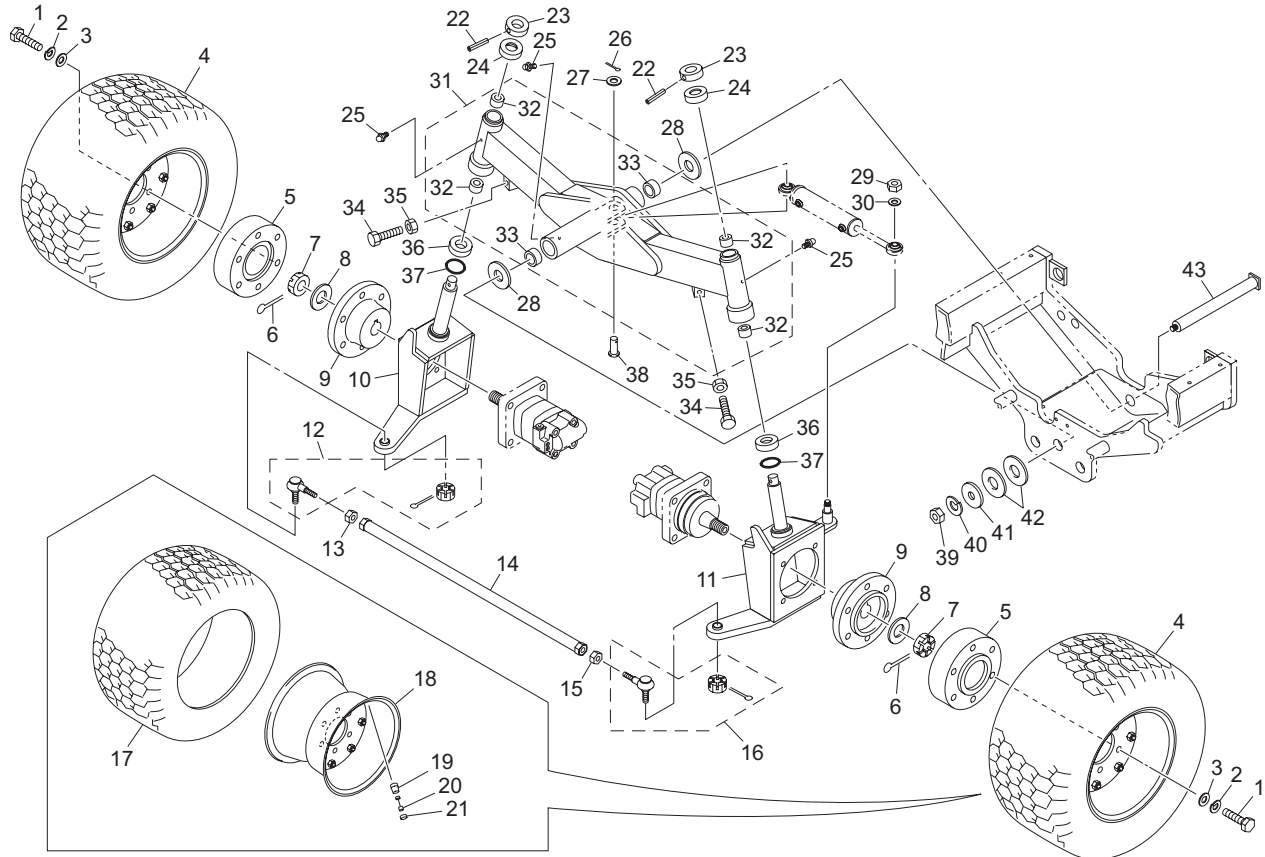


GM2810A_008_z00

| Cat No. | Code No. | Part name | Qty | Remark | SN of application |
|---------|-------------|----------------------|-----|--------|-------------------|
| 8-31 | K0015200702 | BOLT, HT P1.5 M20-70 | 4 | | |
| | | | | | |
| | | | | | |
| | | | | | |
| | | | | | |
| | | | | | |
| | | | | | |
| | | | | | |
| | | | | | |
| | | | | | |

9. Rear wheel section

GM2810A

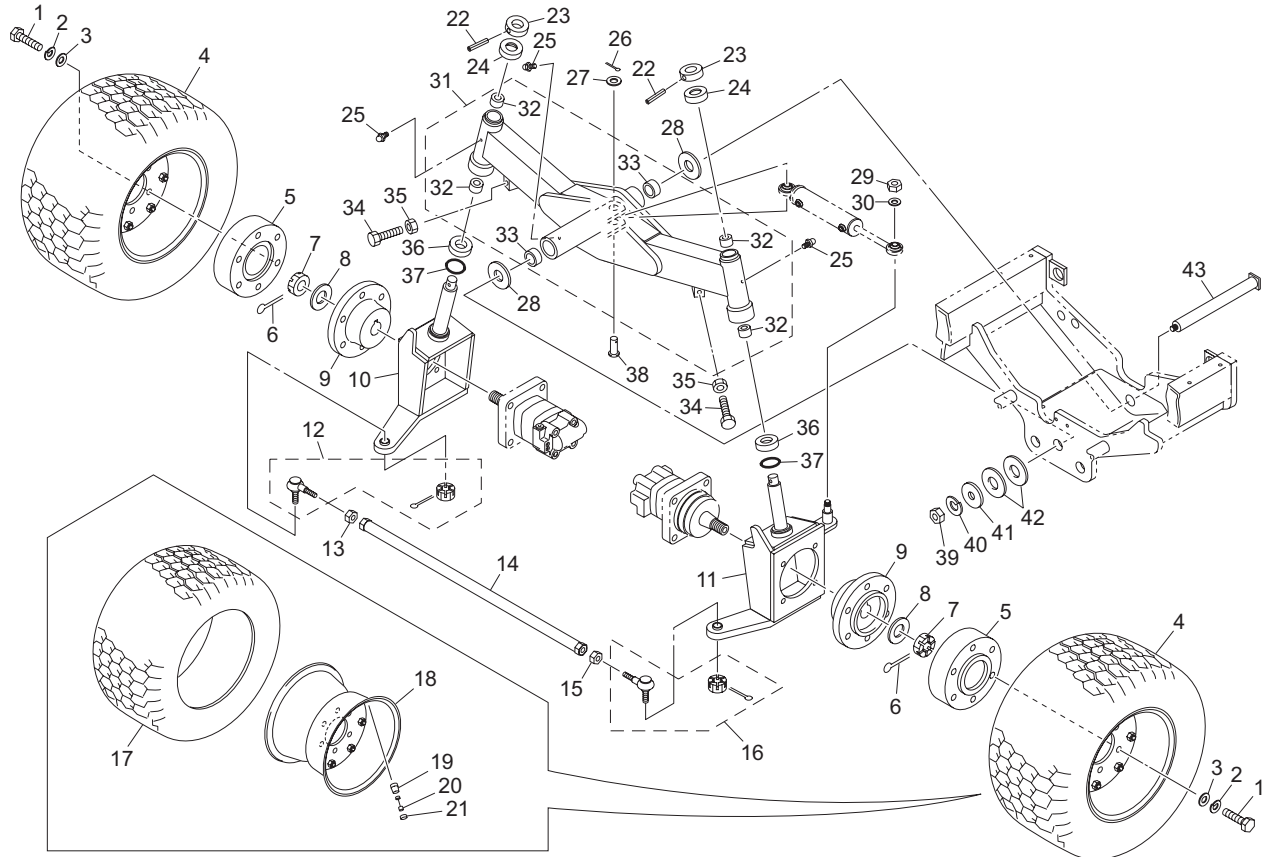


GM2810A_009_z00

| Cat No. | Code No. | Part name | Qty | Remark | SN of application |
|---------|---------------|---|-----|--------|-------------------|
| 9-1 | K0014120652 | BOLT, HT P1.5 M12-65 | 12 | | |
| 9-2 | K0200120002 | WASHER, SPRING M12 | 12 | | |
| 9-3 | K5000120002 | WASHER, M12 | 12 | | |
| 9-4 | K2040000910 | TIRE ASSY, 20*12.00-10 | 2 | | |
| 9-5 | LM2700-0310ZD | SPACER, REAR WHEEL | 2 | | |
| 9-6 | K0300050452 | PIN, COTTER M5-45 | 2 | | |
| 9-7 | K0138240002 | NUT, HIGH SLOTTED P1.5 M24 | 2 | | |
| 9-8 | K5000240002 | WASHER, M24 | 2 | | |
| 9-9 | GM1500A0240AD | MOUNT, FRONT WHEEL 90 | 2 | | |
| 9-10 | LM2700-0303AD | KINGPIN, (RH) | 1 | | |
| 9-11 | LM2700-0302AD | KINGPIN, (LH) | 1 | | |
| 9-12 | K1610000020 | END ASSY, TIE-ROD MALE (RH) | 1 | | |
| 9-13 | K0160000192 | NUT, SPECIAL P1.5 M17 | 1 | | |
| 9-14 | LM2700-0304ZD | ROD, TIE | 1 | | |
| 9-15 | K0160000202 | NUT, LEFT-HANDED SPECIAL P1.5 M17 | 1 | | |
| 9-16 | K1611000020 | END ASSY, TIE-ROD LEFT-HANDED MALE (LH) | 1 | | |
| 9-17 | K2041000390 | TIRE, 20*12.00-10RS | 2 | | |
| 9-18 | K209000094D | WHEEL, 10*8.5 | 2 | | |
| 9-19 | K2097000060 | VALVE, RIM TR412 | 2 | | |
| 9-20 | K2092000020 | CORE, VALVE NO.9000 | 2 | | |
| 9-21 | K2093000010 | CAP, VALVE | 2 | | |
| 9-22 | K0320080501 | PIN, SPRING M8-50 | 2 | | |
| 9-23 | K6213000113 | COLLAR, W/HOLE M25-50-20 | 2 | | |
| 9-24 | K6204000383 | LID | 2 | | |
| 9-25 | K1440000010 | GREASE NIPPLE, STRAIGHT TYPE A | 3 | | |
| 9-26 | K0300032402 | PIN, COTTER M3.2-40 | 1 | | |
| 9-27 | K5012320402 | WASHER, SPCC 2.3-20-40 | 1 | | |
| 9-28 | K5051030500 | WASHER, C5191P 1-30-50 | 2 | | |
| 9-29 | K0145140002 | NUT, W/F-RING M14 P1.5 | 1 | | |
| 9-30 | K0215140001 | WASHER, DISK SPRING 2H M14 | 1 | | |

9. Rear wheel section

GM2810A

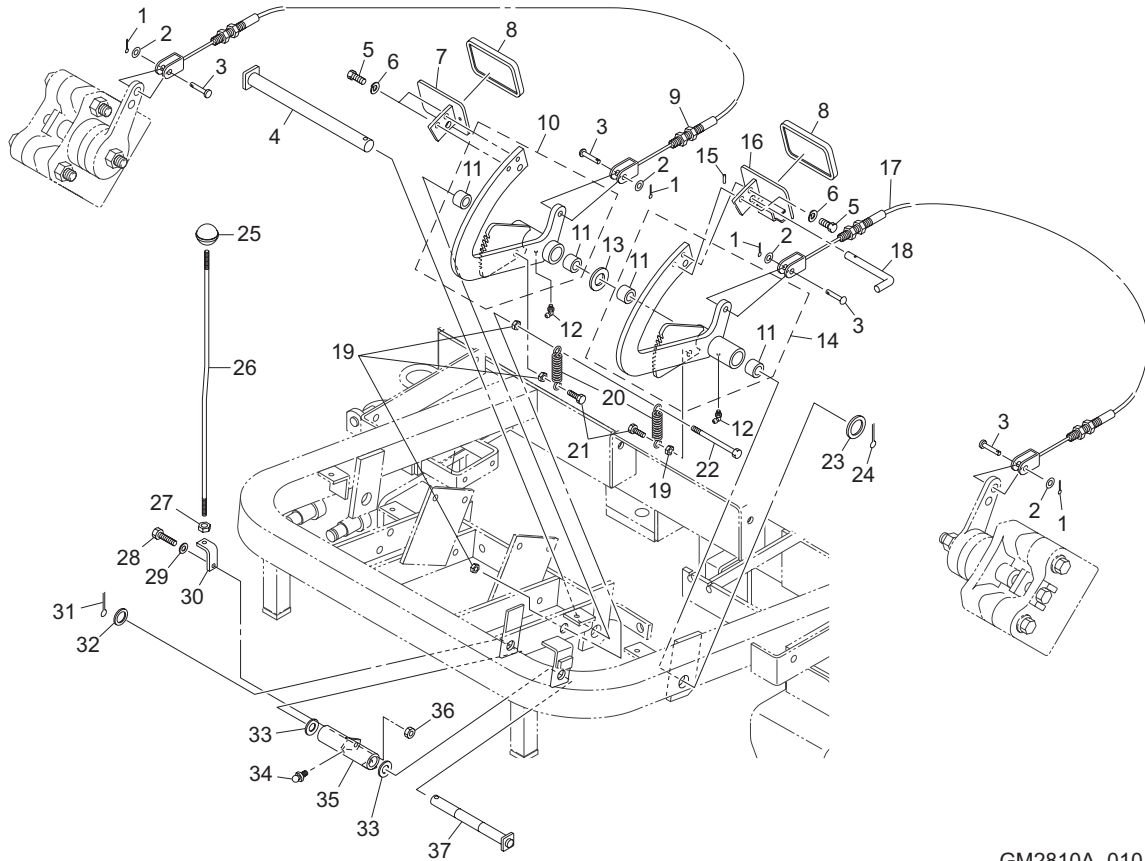


GM2810A_009_z00

| Cat No. | Code No. | Part name | Qty | Remark | SN of application |
|---------|---------------|----------------------------|-----|--------|-------------------|
| 9-31 | GM2800-0302ZD | PIVOT | 1 | | |
| 9-32 | K6000000500 | BUSH, COPPER 22.3-26-20 | 4 | | |
| 9-33 | K6000000080 | BUSH, COPPER 30-36-30 | 2 | | |
| 9-34 | K0010120502 | BOLT, HT M12-50 | 2 | | |
| 9-35 | K0159000052 | NUT, SMALL M12 | 2 | | |
| 9-36 | K0640511070 | BEARING, BALL THRUST 51107 | 2 | | |
| 9-37 | K0880048000 | O-RING, P48 | 2 | | |
| 9-38 | K6031200568 | PIN, FLAT HEAD HT M20-56 | 1 | | |
| 9-39 | K0100160002 | NUT, M16 | 1 | | |
| 9-40 | K0200160002 | WASHER, SPRING M16 | 1 | | |
| 9-41 | K5073216352 | WASHER, SPHC 3.2-16-35 | 1 | | |
| 9-42 | K5011030422 | WASHER, SPCC 1-30-42 | 2 | | |
| 9-43 | K7147000258 | SHAFT, W/M16 THREAD 30316 | 1 | | |
| | | | | | |
| | | | | | |
| | | | | | |
| | | | | | |

10. Brake section

GM2810A

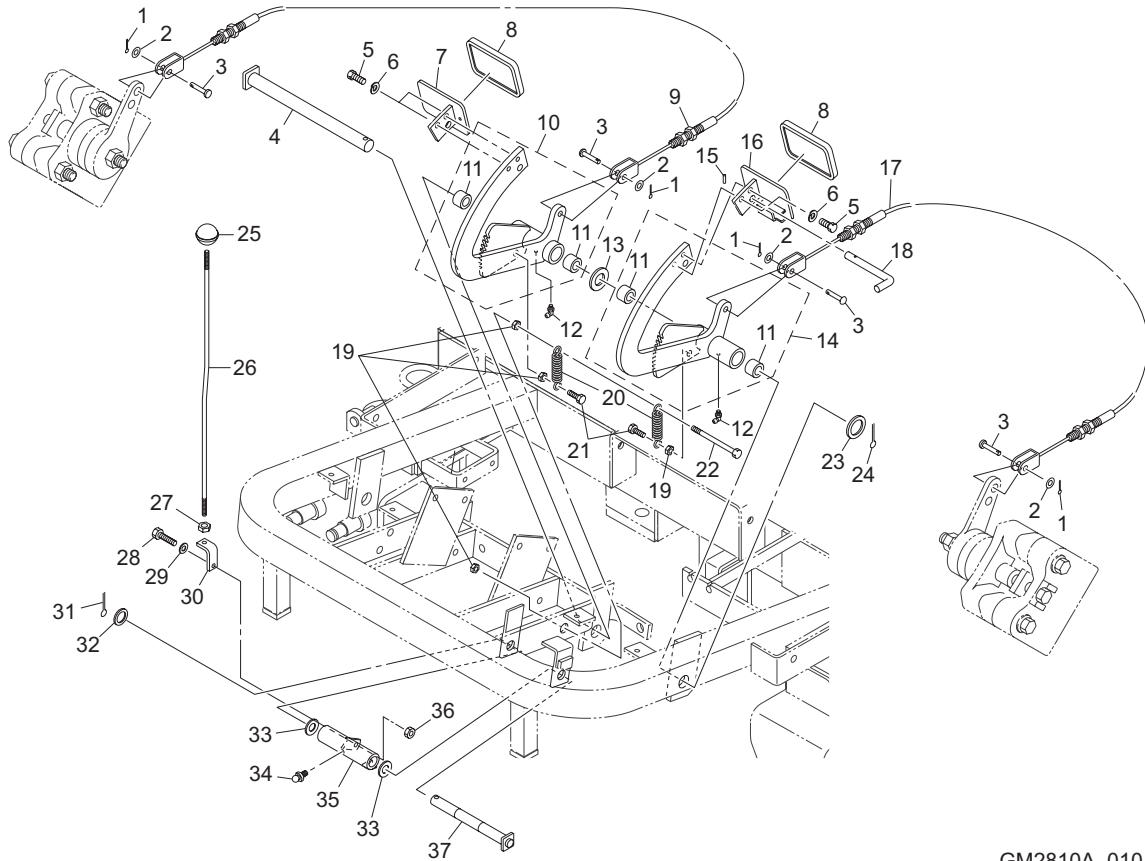


GM2810A_010_z00

| Cat No. | Code No. | Part name | Qty | Remark | SN of application |
|---------|---------------|---------------------------------|-----|--------|-------------------|
| 10-1 | K0300020202 | PIN, COTTER M2-20 | 4 | | |
| 10-2 | K5000080002 | WASHER, M8 | 4 | | |
| 10-3 | K6031080222 | PIN, FLAT HEAD HT M8-22 | 4 | | |
| 10-4 | LM2700-0411Z2 | SHAFT, PEDAL | 1 | | |
| 10-5 | K0000080202 | BOLT, M8-20 | 4 | | |
| 10-6 | K0200080002 | WASHER, SPRING M8 | 4 | | |
| 10-7 | GM2800-0403AD | PEDAL, (RH) | 1 | | |
| 10-8 | K4050000050 | RUBBER, FOR PEDAL 70100 | 1 | | |
| 10-9 | K1120238000 | WIRE, BRAKE 2380 | 1 | | |
| 10-10 | GM2800-0401ZD | PEDAL, BRAKE (RH) | 1 | | |
| 10-11 | K6000000280 | BUSH, 20-24-20 | 4 | | |
| 10-12 | K1440000020 | GREASE NIPPLE, 90 DEG TYPE C | 2 | | |
| 10-13 | K5051020320 | WASHER, C5191P 1-20-32 | 1 | | |
| 10-14 | GM2800-0402ZD | PEDAL, BRAKE (LH) | 1 | | |
| 10-15 | K0320030251 | PIN, SPRING M3-25 | 1 | | |
| 10-16 | GM2800-0404AD | PEDAL, (LH) | 1 | | |
| 10-17 | K1120205500 | WIRE, BRAKE 2055 | 1 | | |
| 10-18 | GM2800-0405Z2 | LEVER, PEDAL | 1 | | |
| 10-19 | K0100100002 | NUT, M10 | 4 | | |
| 10-20 | K1020000088 | SPRING, W/ROUND HOOK M2.3-17-78 | 2 | | |
| 10-21 | K0000100202 | BOLT, M10-20 | 2 | | |
| 10-22 | K0013101202 | BOLT, HT M10-120 | 1 | | |
| 10-23 | K5012320402 | WASHER, SPCC 2.3-20-40 | 1 | | |
| 10-24 | K0300032402 | PIN, COTTER M3.2-40 | 1 | | |
| 10-25 | K1301000050 | GRIP, PLASTIC LEVER | 1 | | |
| 10-26 | LM2700-0407Z2 | SHAFT, LOCKING | 1 | | |
| 10-27 | K0100080002 | NUT, M8 | 1 | | |
| 10-28 | K0000060202 | BOLT, M6-20 | 1 | | |
| 10-29 | K5000060002 | WASHER, M6 | 1 | | |
| 10-30 | LM2700-0406ZD | ANGLE, LOCK SHAFT | 1 | | |

10. Brake section

GM2810A

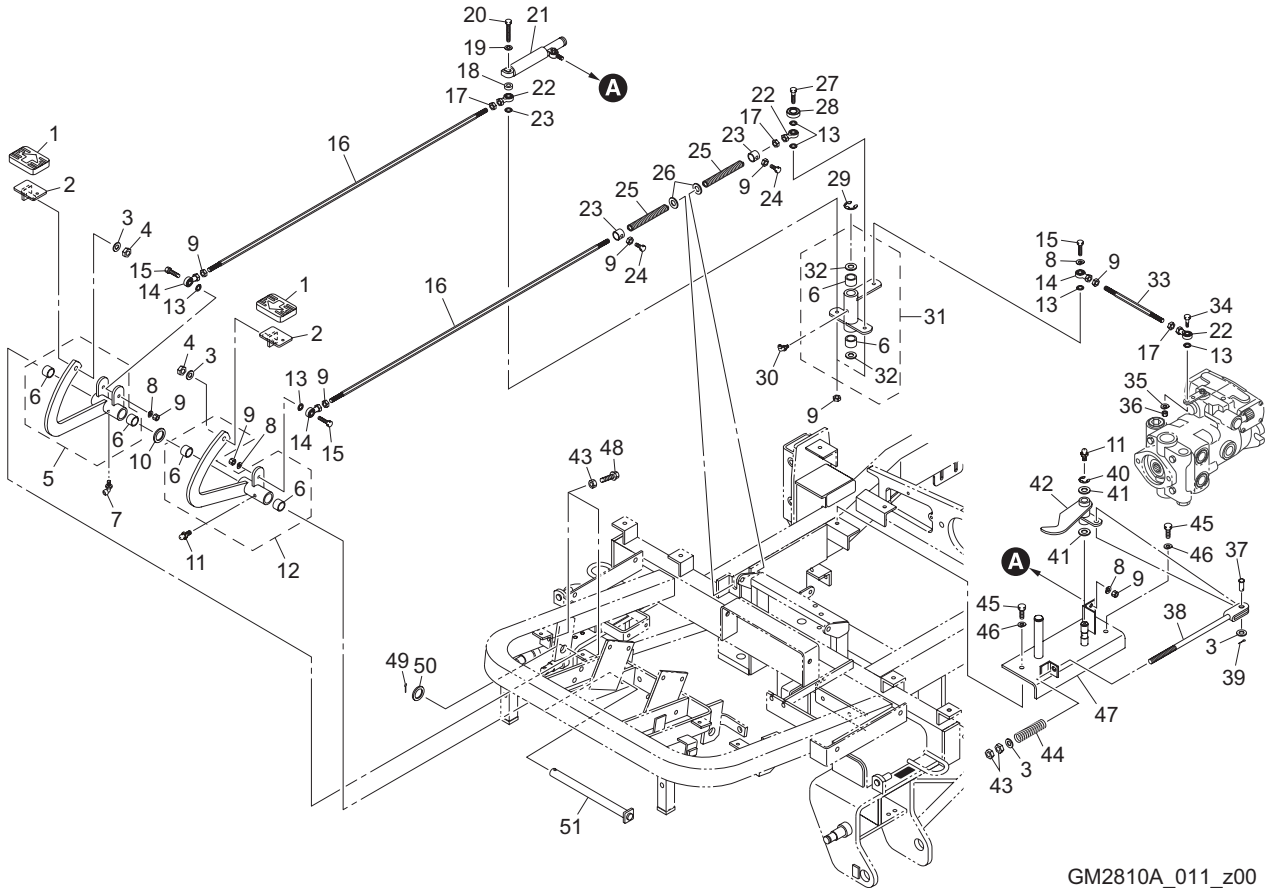


GM2810A_010_z00

| Cat No. | Code No. | Part name | Qty | Remark | SN of application |
|---------|---------------|--------------------------------|-----|----------------|-------------------|
| 10-31 | K0300032252 | PIN, COTTER M3.2-25 | 1 | | |
| 10-32 | K5012316282 | WASHER, SPCC 2.3-16-28 | 1 | | |
| 10-33 | K5011016222 | WASHER, SPCC 1-16-22 | 1-2 | for adjustment | |
| 10-34 | K1440000010 | GREASE NIPPLE, STRAIGHT TYPE A | 1 | | |
| 10-35 | LM2700-0404ZD | MOUNT, BRAKE SHAFT | 1 | | |
| 10-36 | K0144060002 | NUT, W/F-RING M6 | 1 | | |
| 10-37 | LM2700-0410Z2 | SHAFT, BRAKE | 1 | | |
| | | | | | |
| | | | | | |
| | | | | | |
| | | | | | |
| | | | | | |

11. Forward/backward pedal section

GM2810A

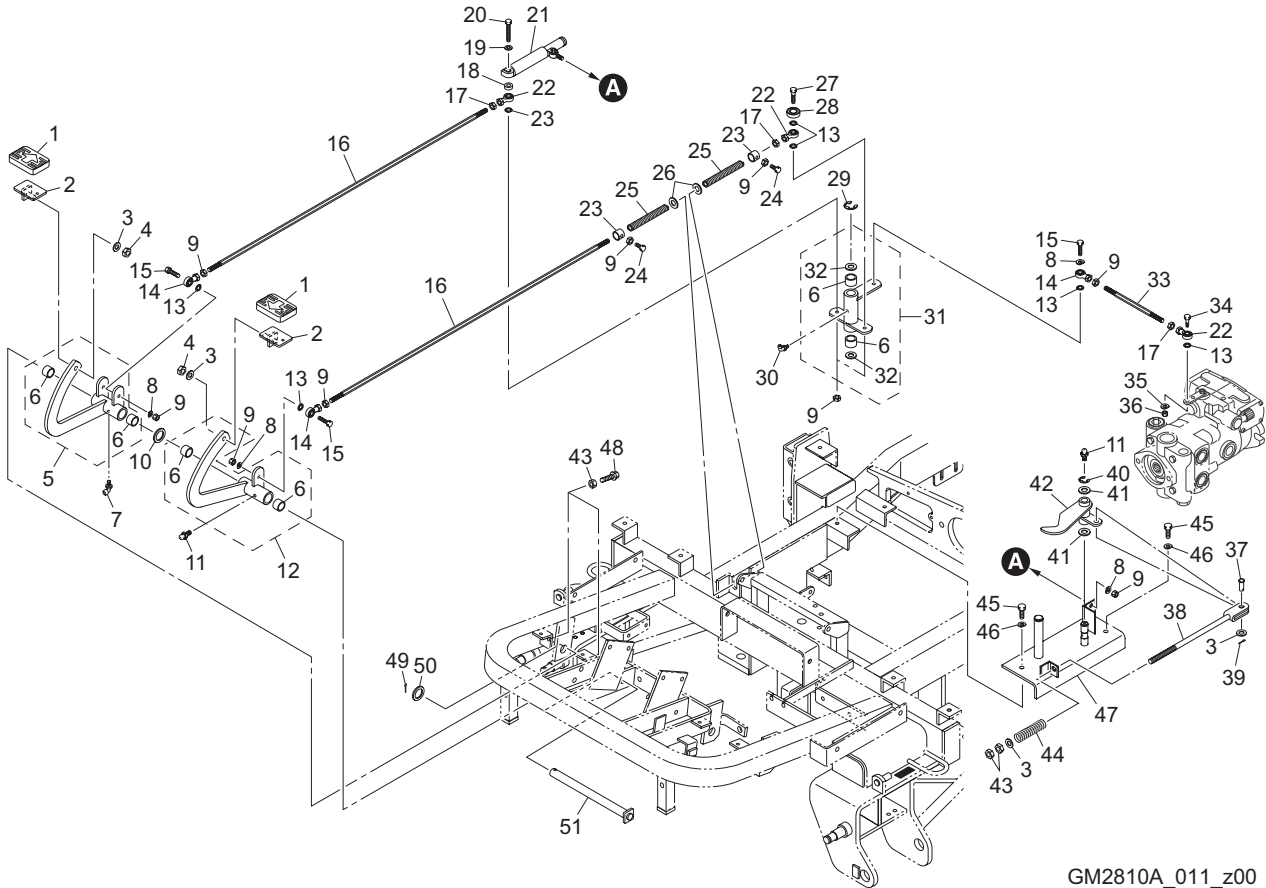


GM2810A_011_z00

| Cat No. | Code No. | Part name | Qty | Remark | SN of application |
|---------|---------------|--------------------------------|-----|--------|-------------------|
| 11-1 | LM2700-0420Z0 | RUBBER, PEDAL 5575 | 2 | | |
| 11-2 | LM2700-0408AD | PEDAL, B | 2 | | |
| 11-3 | K5000100002 | WASHER, M10 | 4 | | |
| 11-4 | K0144100002 | NUT, W/F-RING M10 | 2 | | |
| 11-5 | LM2700-0402AD | PEDAL, BACKWARD | 1 | | |
| 11-6 | K6000000280 | BUSH, 20-24-20 | 6 | | |
| 11-7 | K1440000020 | GREASE NIPPLE, 90 DEG TYPE C | 1 | | |
| 11-8 | K0200080002 | WASHER, SPRING M8 | 4 | | |
| 11-9 | K0100080002 | NUT, M8 | 9 | | |
| 11-10 | K5051020320 | WASHER, C5191P 1-20-32 | 2 | | |
| 11-11 | K1440000010 | GREASE NIPPLE, STRAIGHT TYPE A | 2 | | |
| 11-12 | GM2800-0406AD | PEDAL, FORWARD | 1 | | |
| 11-13 | K5073208202 | WASHER, SPHC 3.2-8-20 | 6 | | |
| 11-14 | K1601080000 | JOINT, SPHERICAL PHS8 | 3 | | |
| 11-15 | K0000080302 | BOLT, M8-30 | 3 | | |
| 11-16 | LM2700-0415Z2 | ROD, THREADED 875 | 2 | | |
| 11-17 | K0180080002 | NUT, LEFT-HANDED M8 | 3 | | |
| 11-18 | K6212003262 | COLLAR, STKM M8.5-14-8 | 1 | | |
| 11-19 | K5000080002 | WASHER, M8 | 1 | | |
| 11-20 | K0003080552 | BOLT, M8-55 | 1 | | |
| 11-21 | K3380000010 | DAMPER, FOR LEVER | 1 | | |
| 11-22 | K16010800L0 | JOINT, SPHERICAL PHS8LA | 3 | | |
| 11-23 | K6218000012 | COLLAR, TAPPED M12-22-20 | 2 | | |
| 11-24 | K0000080202 | BOLT, M8-20 | 2 | | |
| 11-25 | K1000000558 | SPRING, COMPRESSION M2-18-100 | 2 | | |
| 11-26 | K5000120002 | WASHER, M12 | 2 | | |
| 11-27 | LM2700-0418Z2 | BOLT, SPECIAL W/M8 | 1 | | |
| 11-28 | K0608006290 | BEARING, BALL SEAL 2RS 629 | 1 | | |
| 11-29 | K0400015002 | RING, RETAINING E M15 | 1 | | |
| 11-30 | K1440000030 | GREASE NIPPLE, 67.5 DEG TYPE B | 1 | | |

11. Forward/backward pedal section

GM2810A

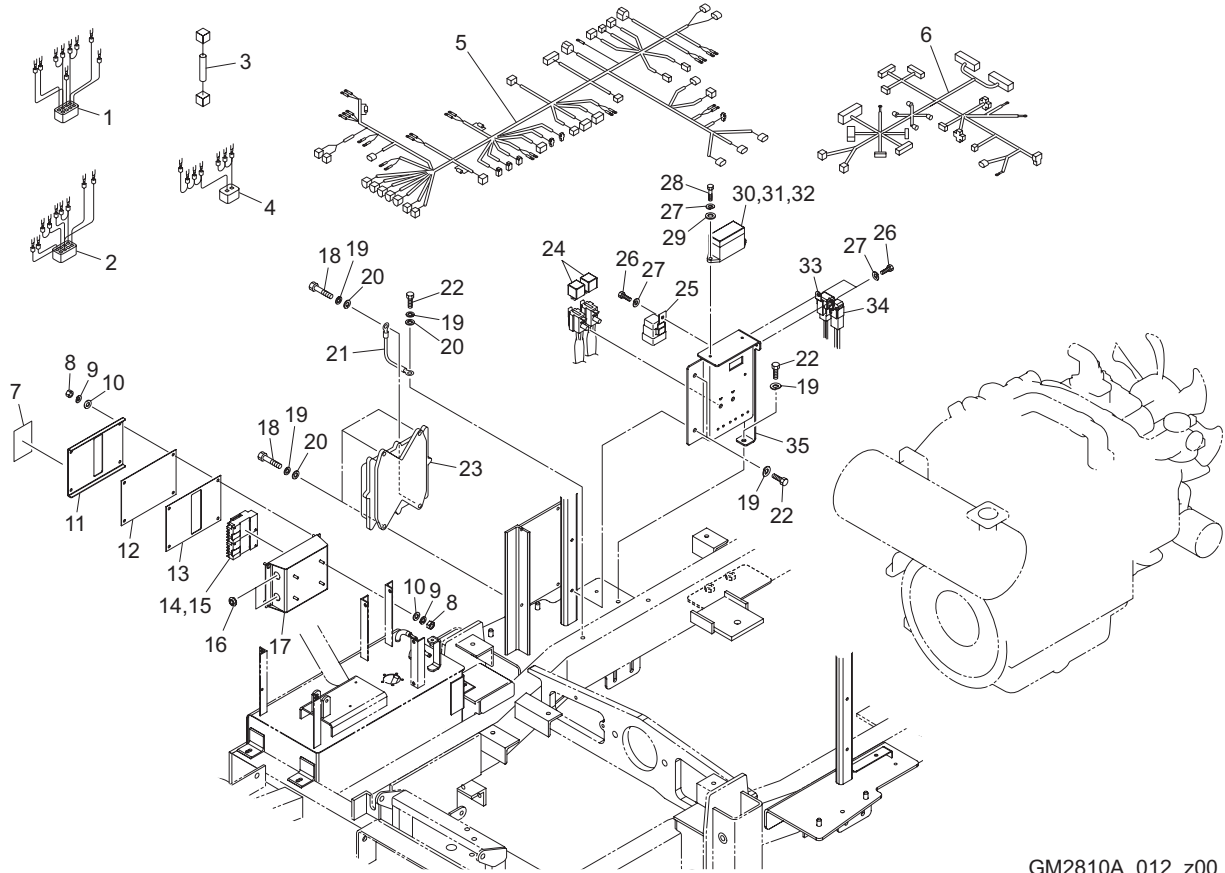


GM2810A_011_z00

| Cat No. | Code No. | Part name | Qty | Remark | SN of application |
|---------|---------------|----------------------------------|-----|--------|-------------------|
| 11-31 | LM2700-0413Z2 | LEVER, CONTROLLING PUMP | 1 | | |
| 11-32 | K5011020472 | WASHER, SPCC 1-20-47 | 2 | | |
| 11-33 | LM2700-0416Z2 | ROD, THREADED 170 | 1 | | |
| 11-34 | LM2700-0417Z2 | BOLT, SPECIAL W/M6 | 1 | | |
| 11-35 | K0200060002 | WASHER, SPRING M6 | 1 | | |
| 11-36 | K0100060002 | NUT, M6 | 1 | | |
| 11-37 | K6031100258 | PIN, FLAT HEAD HT M10-25 | 1 | | |
| 11-38 | LM2700-0419Z2 | ADJUSTER, LEVER | 1 | | |
| 11-39 | K0300025202 | PIN, COTTER M2.5-20 | 1 | | |
| 11-40 | K0400012002 | RING, RETAINING E M12 | 1 | | |
| 11-41 | K5011016222 | WASHER, SPCC 1-16-22 | 2 | | |
| 11-42 | GM2800-0412Z2 | LEVER, NEUTRALIZING PUMP | 1 | | |
| 11-43 | K0100100002 | NUT, M10 | 4 | | |
| 11-44 | K100000082D | SPRING, COMPRESSION M2.6-17.2-70 | 1 | | |
| 11-45 | K0000100152 | BOLT, M10-15 | 2 | | |
| 11-46 | K0200100002 | WASHER, SPRING M10 | 2 | | |
| 11-47 | LM2700-0414Z2 | FITTING, NEUTRALIZING PUMP | 1 | | |
| 11-48 | K0000100352 | BOLT, M10-35 | 2 | | |
| 11-49 | K0300032402 | PIN, COTTER M3.2-40 | 1 | | |
| 11-50 | K5012320402 | WASHER, SPCC 2.3-20-40 | 1 | | |
| 11-51 | LM2700-0411Z2 | SHAFT, PEDAL | 1 | | |
| | | | | | |

12. Engine section A

GM2810A

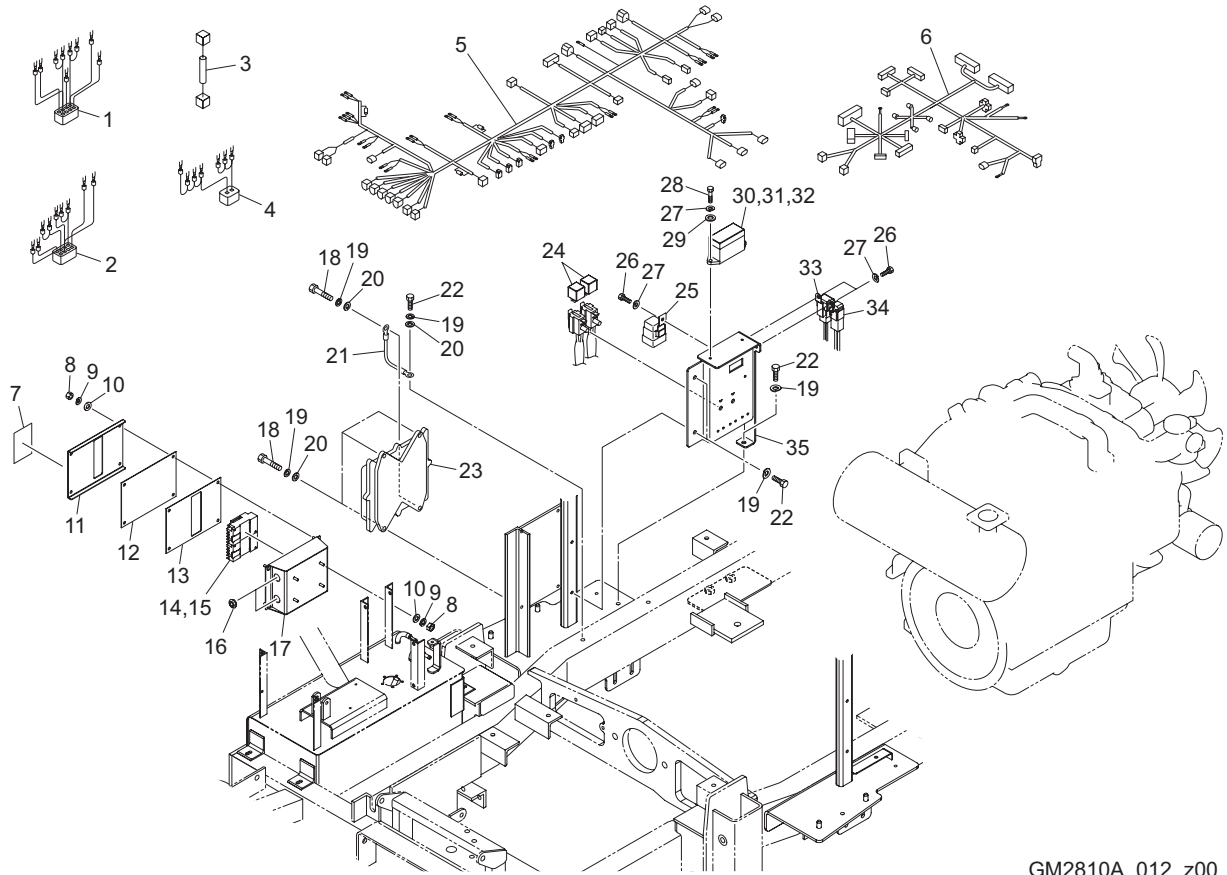


GM2810A_012_z00

| Cat No. | Code No. | Part name | Qty | Remark | SN of application |
|---------|-----------------|----------------------------------|-----|--------|-------------------|
| 12-1 | GM2800-0536Z0 | LINE, RELAY A | 1 | | |
| 12-2 | GM2800-0537Z0 | LINE, RELAY B | 1 | | |
| 12-3 | K3690000100 | CONTROLLER COMP, INITIAL RESET H | 1 | | -11010 |
| 12a-3 | K3690000150 | CONTROLLER COMP, INITIAL RESET H | 1 | | 11011- |
| 12-4 | GM2800-0511Z0 | LINE, RELAY C | 1 | | |
| 12-5 | GM2810A0502Z0 | HARNESS, MAIN | 1 | | -11010 |
| 12a-5 | GM2810A0502A0 | HARNESS, MAIN | 1 | | 11011- |
| 12-6 | GM2810A0501Z0 | HARNESS, INTERMEDIATE | 1 | | |
| 12-7 | GM2800-0560Z0 | DECAL, RELAY | 1 | | |
| 12-8 | K0100050002 | NUT, M5 | 8 | | |
| 12-9 | K0200050002 | WASHER, SPRING M5 | 8 | | |
| 12-10 | K5000050002 | WASHER, M5 | 8 | | |
| 12-11 | GM2800-0519ZD | COVER, BOX | 1 | | |
| 12-12 | GM2800-0518Z0 | BOARD, ACRYLIC M 1.5-134189 | 1 | | |
| 12-13 | GM2800-0517Z0 | PACKING, RUBBER 1-134189 | 1 | | |
| 12-14 | K3680000030 | RELAY BOX, G6B-4CB | 2 | | |
| 12-15 | G6B2114P-US-P6B | RELAY, FOR TERMINAL G6B-4CB | 1-8 | | |
| 12-16 | K0900300200 | GROMMET, W/SEALING C30SG20A | 2 | | |
| 12-17 | GM2800-0570ZD | BOX, RELAY | 1 | | |
| 12-18 | K0000080202 | BOLT, M8-20 | 4 | | |
| 12-19 | K0200080002 | WASHER, SPRING M8 | 7 | | |
| 12-20 | K5000080002 | WASHER, M8 | 5 | | |
| 12-21 | K3620001000 | WIRE, TO EARTH AV3-160 | 1 | | |
| 12-22 | K0000080152 | BOLT, M8-15 | 4 | | |
| 12-23 | PF1H030-5909-0 | ECU, SUB-ASSY(03-OEM) | 1 | | |
| 12-24 | PF1J423-6023-3 | RELAY | 2 | | |
| 12-25 | PFRP421-5373-0 | RELAY ASSY, GLOW | 1 | | |
| 12-26 | K0000060102 | BOLT, M6-10 | 3 | | |
| 12-27 | K0200060002 | WASHER, SPRING M6 | 5 | | |
| 12-28 | K0000060202 | BOLT, M6-20 | 2 | | |

12. Engine section A

GM2810A

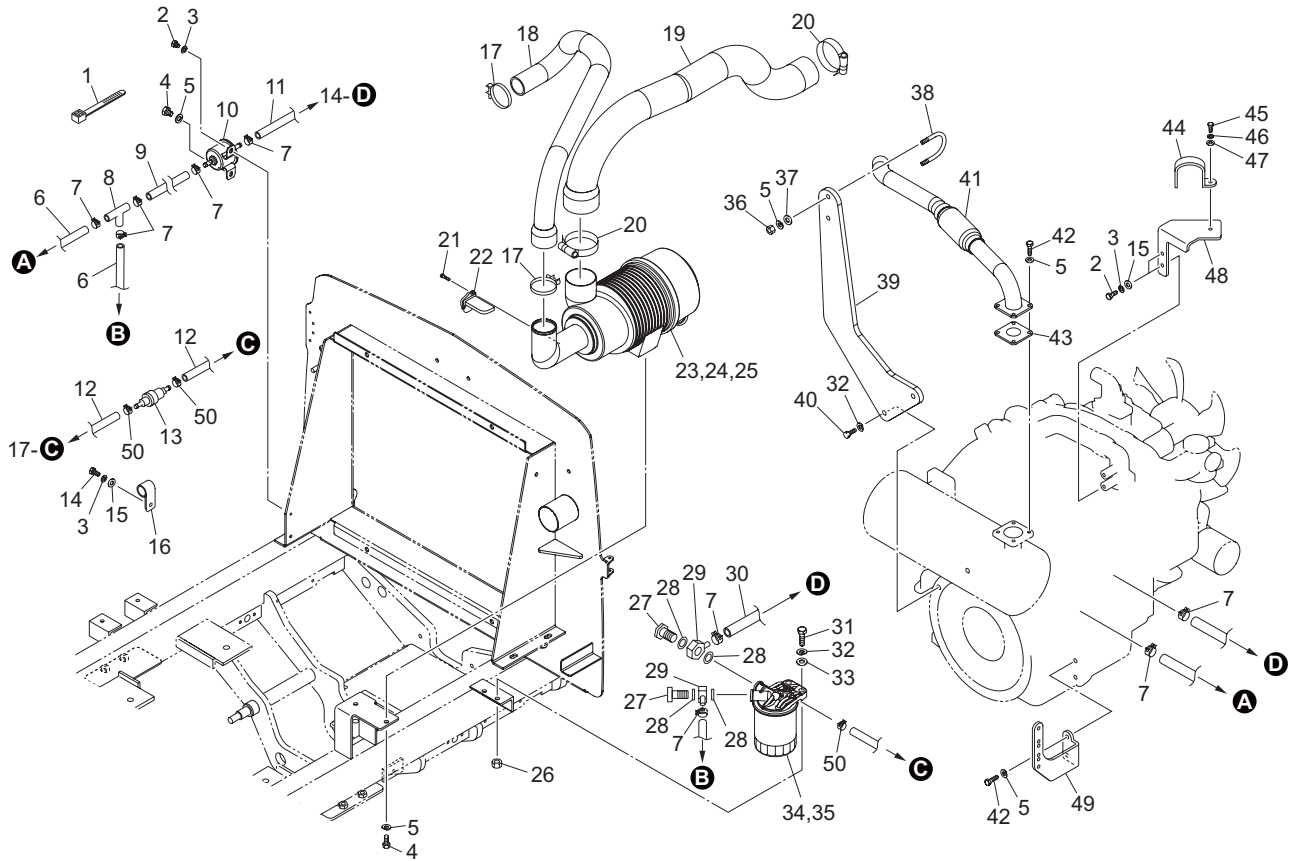


GM2810A_012_z00

| Cat No. | Code No. | Part name | Qty | Remark | SN of application |
|---------|---------------|------------------------------|-----|--------|-------------------|
| 12-29 | K5000060002 | WASHER, M6 | 2 | | |
| 12-30 | K3630000090 | FUSE BLOCK, MINI 10P-A | 1 | | |
| 12-31 | K3631000070 | FUSE, MINI BLADE 5A | 7 | | |
| 12-32 | K3631000110 | FUSE, MINI BLADE 15A | 2 | | |
| 12-33 | K3630000160 | FUSE BLOCK, FUSIBLE LINK 30A | 1 | | |
| 12-34 | K3630000150 | FUSE BLOCK, FUSIBLE LINK 50A | 1 | | |
| 12-35 | GM2810-0506ZD | MOUNT, ELECTRIC COMPONENT | 1 | | |
| | | | | | |
| | | | | | |
| | | | | | |
| | | | | | |
| | | | | | |

13. Engine section B

GM2810A

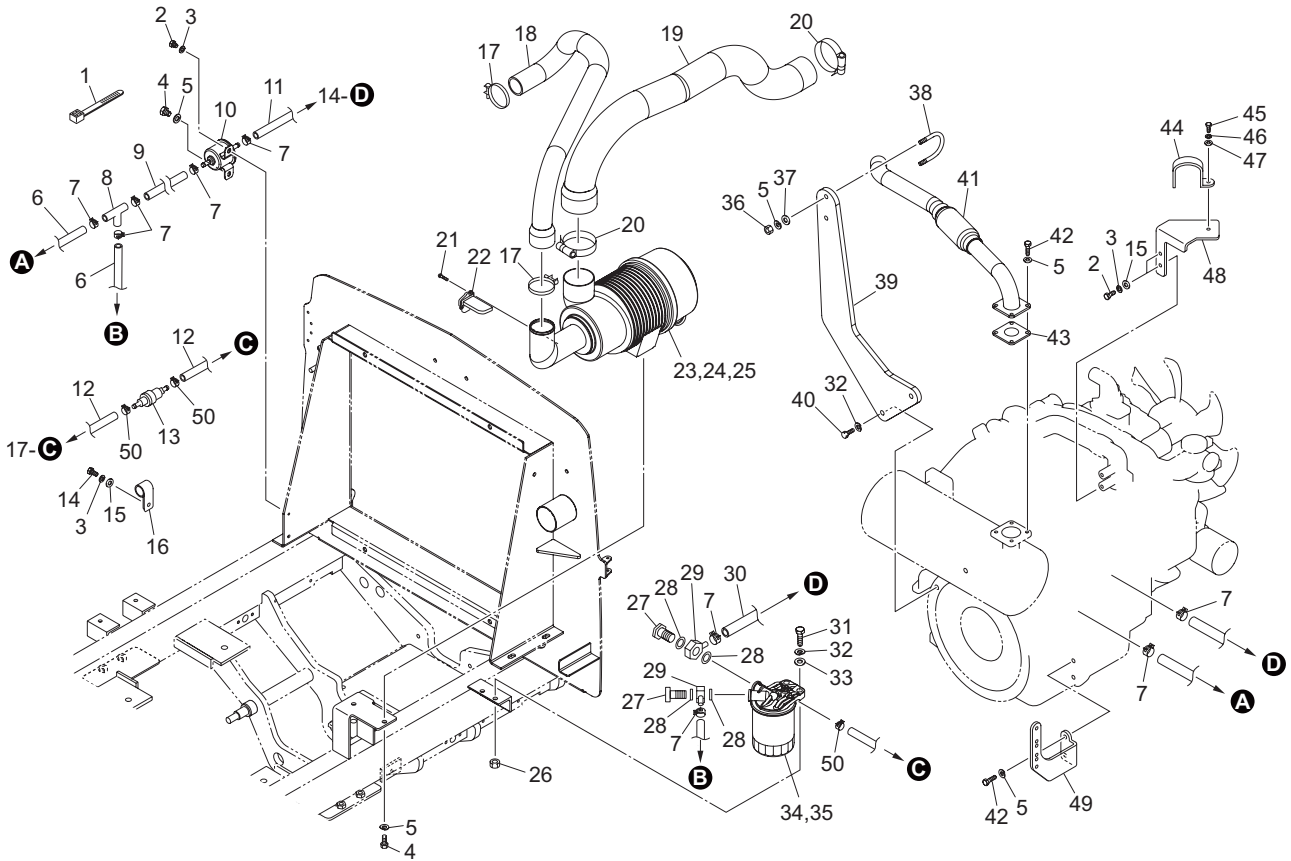


GM2810A_013_z00

| Cat No. | Code No. | Part name | Qty | Remark | SN of application |
|---------|----------------|-----------------------------|-----|--------|-------------------|
| 13-1 | K4241000110 | BAND, PLASTIC T50R-DH-W | 5 | | |
| 13-2 | K0000060152 | BOLT, M6-15 | 3 | | |
| 13-3 | K0200060002 | WASHER, SPRING M6 | 4 | | |
| 13-4 | K0000080152 | BOLT, M8-15 | 1 | | |
| 13-5 | K0200080002 | WASHER, SPRING M8 | 9 | | |
| 13-6 | K3180003500 | HOSE, FUEL 8*1B350 | 2 | | |
| 13-7 | K4260000172 | CLAMP, HOSE KS-11-19 | 9 | | |
| 13-8 | PF3N600-4217-1 | CONNECTOR | 1 | | |
| 13-9 | K3180011000 | HOSE, FUEL 8*1B1100 | 1 | | |
| 13-10 | PF1G377-5203-0 | PUMP ASSY, FUEL | 1 | | |
| 13-11 | K3180002900 | HOSE, FUEL 8*1B290 | 1 | | |
| 13-12 | K3182016500 | HOSE, FUEL 4*1B1650 | 2 | | |
| 13-13 | PF1G911-4246-0 | VALVE | 1 | | |
| 13-14 | K0000060202 | BOLT, M6-20 | 1 | | |
| 13-15 | K5000060002 | WASHER, M6 | 3 | | |
| 13-16 | K4270022060 | CLIP, HARNESS 22 M6 | 1 | | |
| 13-17 | K4261044000 | CLAMP, HOSE PARKER 29-76 | 2 | | |
| 13-18 | GM2810-0510Z0 | HOSE, AIR CLEANER B | 1 | | |
| 13-19 | GM2810-0509Z0 | HOSE, SUCTION A | 1 | | |
| 13-20 | K4261056000 | CLAMP, HOSE PARKER 54-100 | 2 | | |
| 13-21 | PF03054-50412 | SCREW, ROUND HEAD | 2 | | |
| 13-22 | PF1J520-1070-0 | SENSOR (AIR FLOW) | 1 | | |
| 13-23 | PF1K987-1101-2 | AIR CLEANER ASSY | 1 | | |
| 13-24 | PF59800-2611-0 | AIR CLEANER ELEMENT ASSY | 1 | | |
| 13-25 | PF3A111-1913-0 | AIR CLEANER ELEMENT (INNER) | 1 | | |
| 13-26 | K0100100002 | NUT, M10 | 2 | | |
| 13-27 | PF16541-9579-1 | BOLT, COUPLING | 2 | | |
| 13-28 | PF17105-3368-0 | PACKING | 4 | | |
| 13-29 | PF15401-9569-2 | JOINT, PIPING | 2 | | |
| 13-30 | K3180001900 | HOSE, FUEL 8*1B190 | 1 | | |

13. Engine section B

GM2810A

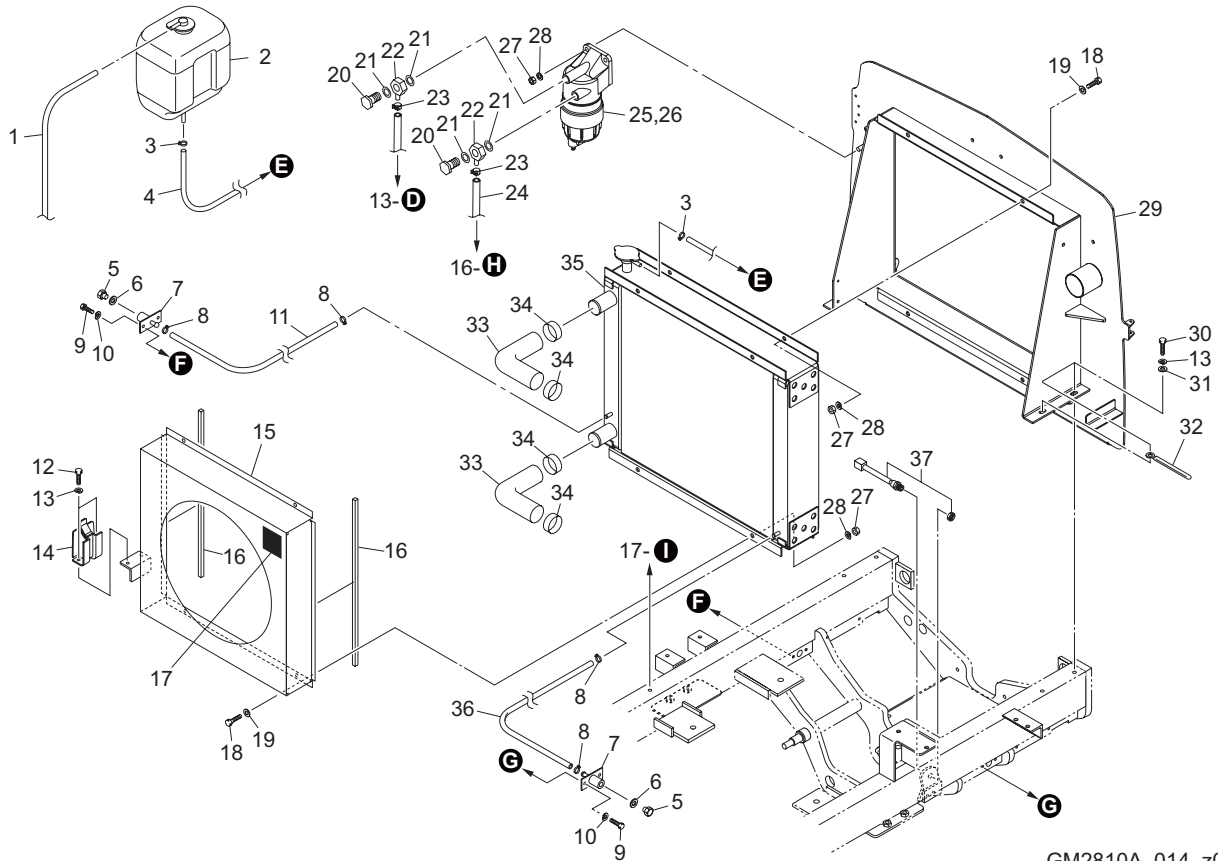


GM2810A_013_z00

| Cat No. | Code No. | Part name | Qty | Remark | SN of application |
|---------|----------------|-------------------------|-----|--------|-------------------|
| 13-31 | K0000100352 | BOLT, M10-35 | 2 | | |
| 13-32 | K0200100002 | WASHER, SPRING M10 | 2 | | |
| 13-33 | K5000100002 | WASHER, M10 | 2 | | |
| 13-34 | PF1J331-4301-0 | FILTER ASSY, FUEL | 1 | | |
| 13-35 | PF1J521-4317-2 | FILTER CARTRIDGE | 1 | | |
| 13-36 | K0100080002 | NUT, M8 | 2 | | |
| 13-37 | K5000080002 | WASHER, M8 | 2 | | |
| 13-38 | K0073000052 | BOLT, W/F-RING M8-40A | 1 | | |
| 13-39 | GM2810-0504ZD | STAY, MUFFLER | 1 | | |
| 13-40 | K0000100252 | BOLT, M10-25 | 2 | | |
| 13-41 | GM2810-0505ZU | PIPE, TAIL | 1 | | |
| 13-42 | K0000080202 | BOLT, M8-20 | 6 | | |
| 13-43 | PFT0070-1642-0 | GASKET, MUFFLER | 1 | | |
| 13-44 | K4260000252 | CLAMP, HOSE SBKNS54 | 1 | | |
| 13-45 | K0000050102 | BOLT, M5-10 | 1 | | |
| 13-46 | K0200050002 | WASHER, SPRING M5 | 1 | | |
| 13-47 | K5000050002 | WASHER, M5 | 1 | | |
| 13-48 | GM2810-0512Z2 | BRACKET, HOSE | 1 | | |
| 13-49 | GM2810-0513Z2 | BRACKET, MIDDLE HARNESS | 1 | | |
| 13-50 | K4260000150 | CLAMP, HOSE 12 | 3 | | |
| | | | | | |
| | | | | | |

14. Engine section C

GM2810A

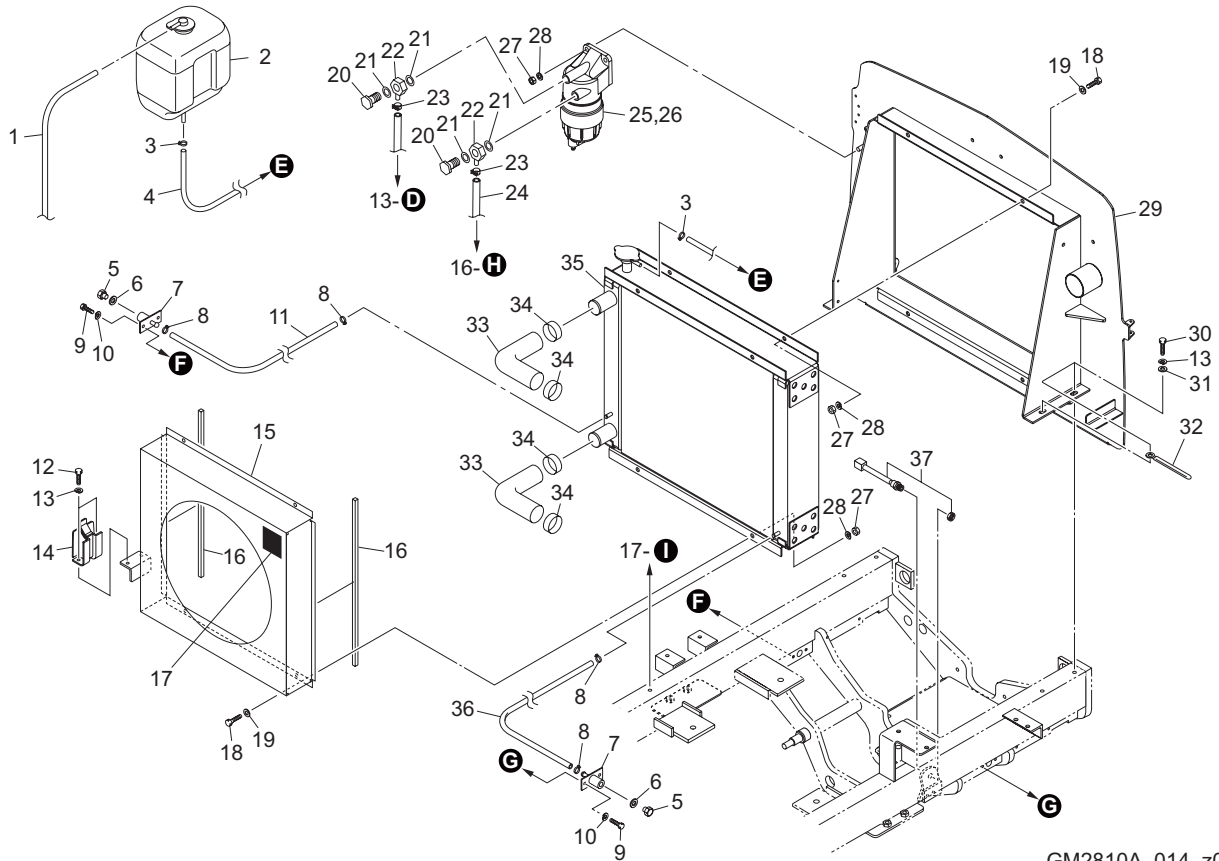


GM2810A_014_z00

| Cat No. | Code No. | Part name | Qty | Remark | SN of application |
|---------|----------------|-----------------------------------|-----|--------|-------------------|
| 14-1 | GM2800-0528Z0 | HOSE, DRAIN 700 | 1 | | |
| 14-2 | PF15501-7240-0 | TANK ASSY, RESERVE | 1 | | |
| 14-3 | PF15501-7247-0 | CLIP, PIPE | 2 | | |
| 14-4 | GM2800-0527Z0 | HOSE, DRAIN 950 | 1 | | |
| 14-5 | LM2700-0563Z0 | PLUG, DRAIN | 2 | | |
| 14-6 | LM2700-0562Z0 | PACKING, 995714120 | 2 | | |
| 14-7 | PYTER39280AB | JOINT | 2 | | |
| 14-8 | K4260000150 | CLAMP, HOSE 12 | 4 | | |
| 14-9 | K0000060152 | BOLT, M6-15 | 4 | | |
| 14-10 | K0200060002 | WASHER, SPRING M6 | 4 | | |
| 14-11 | GM2800-0562Z0 | HOSE, DRAIN 450 | 1 | | |
| 14-12 | K0000080152 | BOLT, M8-15 | 2 | | |
| 14-13 | K0200080002 | WASHER, SPRING M8 | 6 | | |
| 14-14 | PF15527-7246-0 | STAY, RESERVE TANK | 1 | | |
| 14-15 | GM2800-0567AD | SHROUD | 1 | | |
| 14-16 | K4220000230 | SPONGE, URETHAN 10-10-500 | 2 | | |
| 14-17 | K4205001530 | DECAL, CAUTION TO ROTATING OBJECT | 1 | | |
| 14-18 | K0000100202 | BOLT, M10-20 | 8 | | |
| 14-19 | K5000100002 | WASHER, M10 | 8 | | |
| 14-20 | PF16541-9579-1 | BOLT, COUPLING | 2 | | |
| 14-21 | PF17105-3368-0 | PACKING | 4 | | |
| 14-22 | PF15401-9569-2 | JOINT, PIPING | 2 | | |
| 14-23 | K4260000172 | CLAMP, HOSE KS-11-19 | 2 | | |
| 14-24 | K3180018600 | HOSE, FUEL 8*1B-1860 | 1 | | |
| 14-25 | PF1K987-4335-0 | FILTER ASSY, SEPARATOR | 1 | | |
| 14-26 | PF1J520-4306-0 | ELEMENT ASSY, FILTER | 1 | | |
| 14-27 | K0100100002 | NUT, M10 | 10 | | |
| 14-28 | K0200100002 | WASHER, SPRING M10 | 10 | | |
| 14-29 | GM2810-0502AD | FRAME, MOUNTING RADIATOR | 1 | | |
| 14-30 | K0000080202 | BOLT, M8-20 | 4 | | |

14. Engine section C

GM2810A

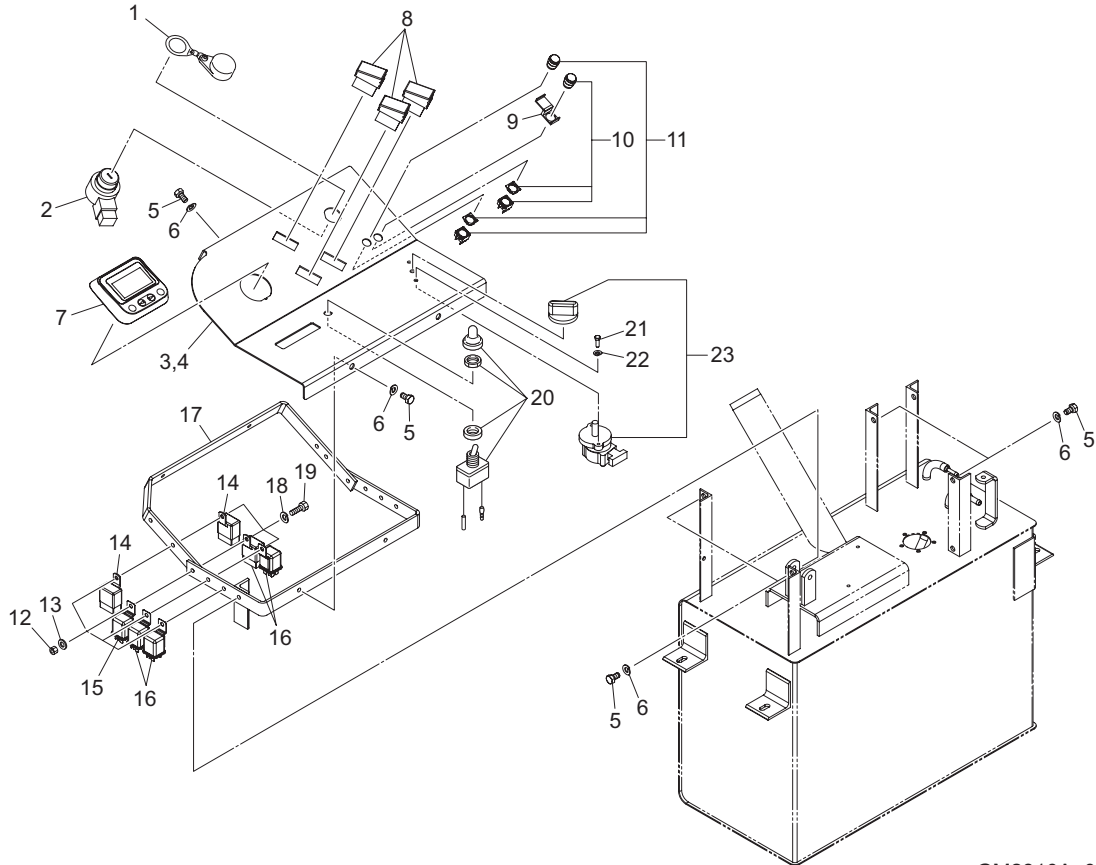


GM2810A_014_z00

| Cat No. | Code No. | Part name | Qty | Remark | SN of application |
|---------|---------------|-----------------------------|-----|--------|-------------------|
| 14-31 | K5000080002 | WASHER, M8 | 4 | | |
| 14-32 | K4281000020 | CLAMP, HARNESS 8.5 80 | 1 | | |
| 14-33 | PFR1401-42363 | HOSE | 2 | | |
| 14-34 | K4260000200 | CLAMP, HOSE JUBILEE BAND 2A | 4 | | |
| 14-35 | GM2800-0569Z0 | RADIATOR COMP | 1 | | |
| 14-36 | GM2800-0526Z0 | HOSE, DRAIN 300 | 1 | | |
| 14-37 | K3720000120 | SENSOR, PROXIMITY E2E-X5E2 | 1 | | |
| | | | | | |
| | | | | | |
| | | | | | |
| | | | | | |
| | | | | | |

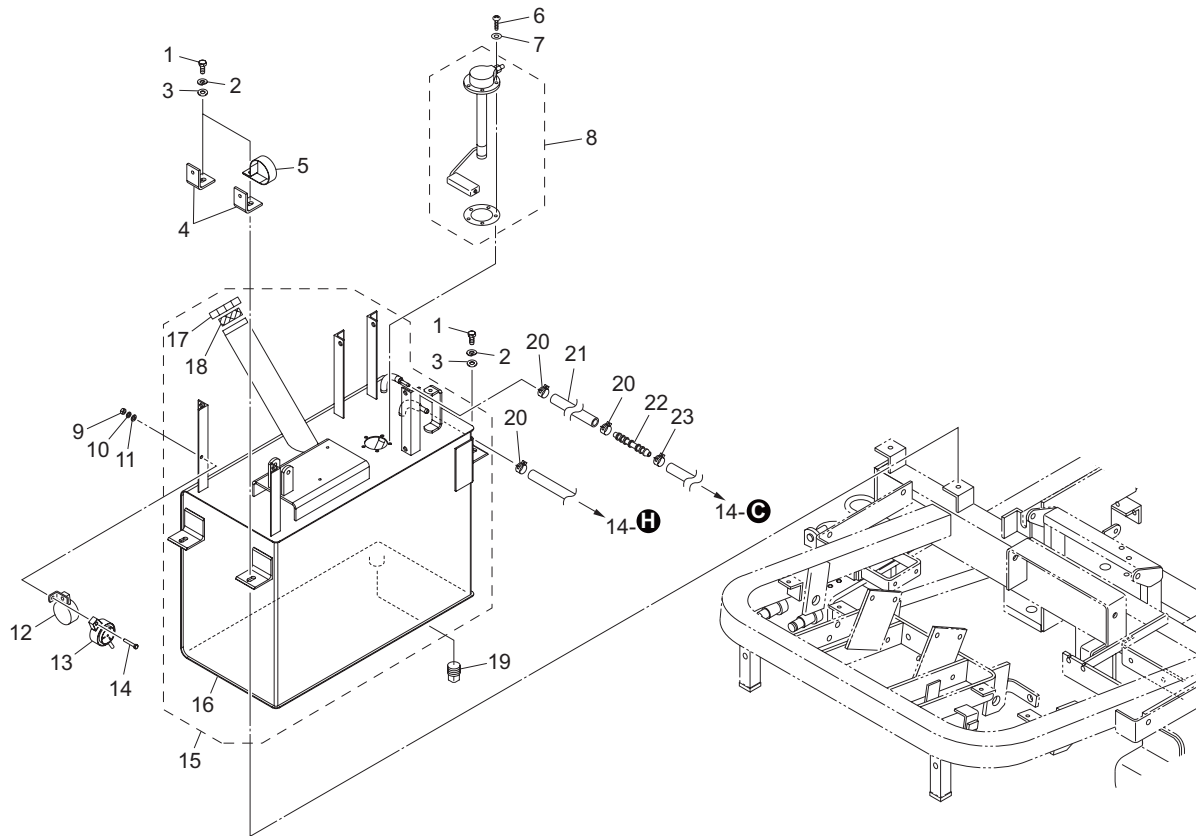
15. Engine section D

GM2810A



GM2810A_015_z00

| Cat No. | Code No. | Part name | Qty | Remark | SN of application |
|---------|----------------|----------------------------------|-----|--------|-------------------|
| 15-1 | PF54611-4112-0 | CAP, STARTER SWITCH | 1 | | |
| 15-2 | PF15248-6359-0 | SWITCH ASSY, STARTER | 1 | | |
| 15a-3 | GM2810A0603Z0 | DECAL, OPERATION | 1 | | |
| 15-4 | GM2810A0901ZD | MOUNT, INSTRUMENT | 1 | | |
| 15-5 | K0000080152 | BOLT, M8-15 | 8 | | |
| 15-6 | K0200080002 | WASHER, SPRING M8 | 8 | | |
| 15-7 | K3655000030 | DISPLAY, PV101-C | 1 | | |
| 15-8 | K3661000050 | SWITCH, ROCKER | 3 | | |
| 15-9 | K3661000160 | GUARD, SWITCH | 1 | | |
| 15-10 | K3661000140 | SWITCH, ROUND PUSH BUTTON TYPE | 1 | | |
| 15-11 | K3661000150 | SWITCH, PUSH BUTTON ROUND GREEN | 1 | | |
| 15-12 | K0100060002 | NUT, M6 | 4 | | |
| 15-13 | K5000060002 | WASHER, M6 | 4 | | |
| 15-14 | K3681000010 | RELAY, CA1-DC12V-N | 2 | | |
| 15-15 | K3681000080 | RELAY, MR5A602A1K | 1 | | |
| 15-16 | K3681000070 | RELAY, MR5A411A1K | 4 | | |
| 15-17 | GM2810-0904ZD | FRAME, MOUNTING METER | 1 | | |
| 15-18 | K0200060002 | WASHER, SPRING M6 | 4 | | |
| 15-19 | K0000060202 | BOLT, M6-20 | 4 | | |
| 15-20 | K3662000100 | SWITCH, TOGGLE FOR LAMP WD101181 | 1 | | |
| 15-21 | K0042050152 | SCREW, + ROUND HEAD M5-15 | 2 | | |
| 15-22 | K0200050002 | WASHER, SPRING M5 | 2 | | |
| 15-23 | K3691000020 | POTENTIOMETER, WCS-403571 | 1 | | |
| | | | | | |

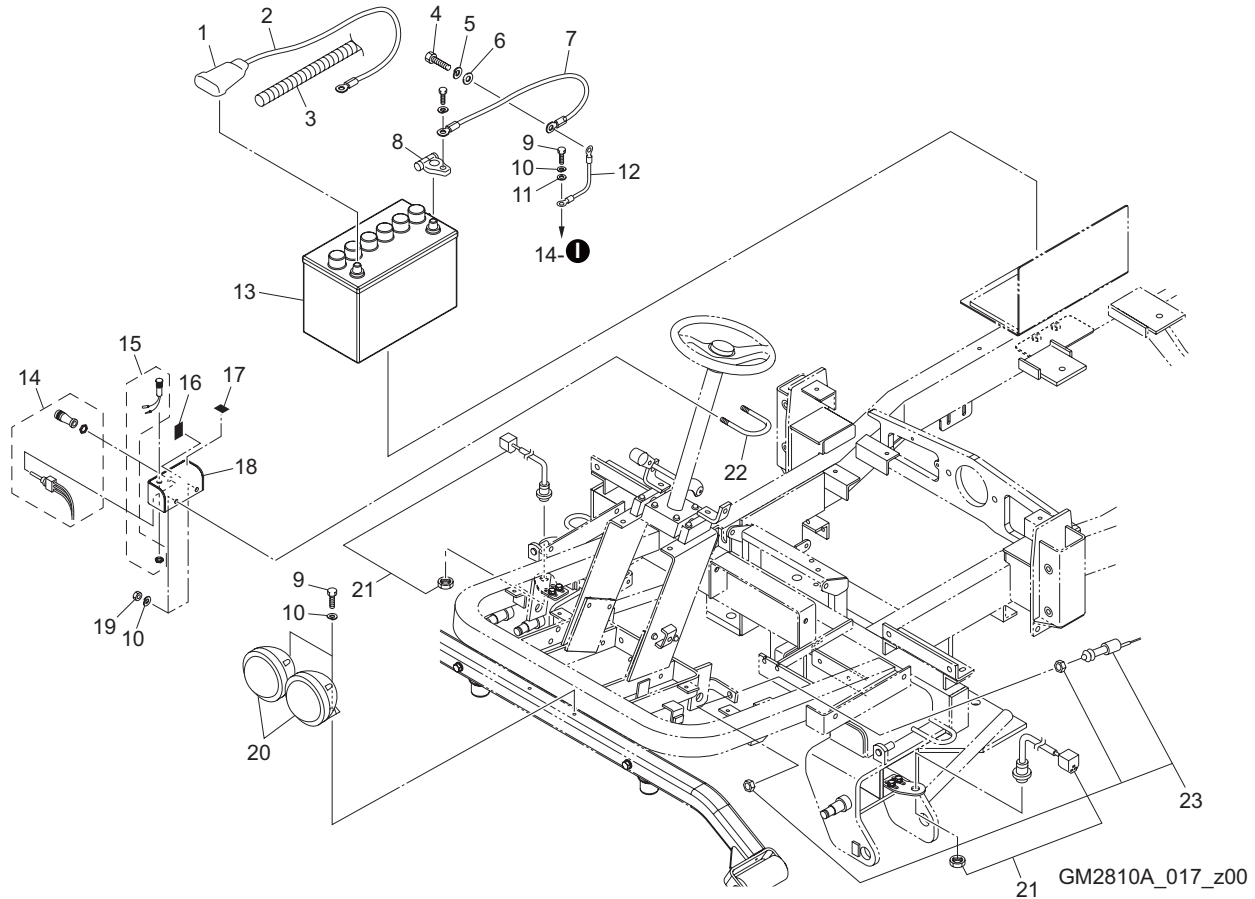


GM2810A_016_z00

| Cat No. | Code No. | Part name | Qty | Remark | SN of application |
|---------|-----------------|---------------------------------|-----|--------|-------------------|
| 16-1 | K0000060202 | BOLT, M6-20 | 3 | | |
| 16-2 | K0200060002 | WASHER, SPRING M6 | 3 | | |
| 16-3 | K5000060002 | WASHER, M6 | 3 | | |
| 16-4 | LM2700-0950ZD | PLATE, MOUNTING SIDE COVER | 2 | | |
| 16-5 | K4270022060 | CLIP, HARNESS 22 M6 | 1 | | |
| 16-6 | K0000050152 | BOLT, M5-15 | 5 | | |
| 16-7 | K0922050000 | SEAL, WASHER 5WF | 5 | | |
| 16-8 | GM2810-0704Z0 | SENDER, FUEL 227*198 | 1 | | |
| 16-9 | K0100050002 | NUT, M5 | 1 | | |
| 16-10 | K0200050002 | WASHER, SPRING M5 | 1 | | |
| 16-11 | K5000050002 | WASHER, M5 | 1 | | |
| 16-12 | K3700000030 | BUZZER, EBS-12 W/STAY | 1 | | |
| 16-13 | K3700000010 | BUZZER, EBM-12 TYPE | 1 | | |
| 16-14 | K0000050302 | BOLT, M5-30 | 1 | | |
| 16-15 | GM2810-0703Z0 | TANK ASSY, FUEL W/CAP | 1 | | |
| 16-16 | GM2810-0702BD-Y | TANK, FUEL | 1 | | |
| 16-17 | K1410000120 | PLUG, FUEL TANK | 1 | | |
| 16-18 | K3420000080 | STRAINER, FUEL | 1 | | |
| 16-19 | K1422106001-Y | PLUG, TAPERED W/HEX HOLE T1 3/8 | 1 | | |
| 16-20 | K4260000172 | CLAMP, HOSE KS-11-19 | 3 | | |
| 16-21 | K3180000600 | HOSE, FUEL 8*1B60 | 1 | | |
| 16-22 | HM1560K0820Z0 | JOINT, FUEL HOSE 8-6 | 1 | | |
| 16-23 | K4260000150 | CLAMP, HOSE 12 | 1 | | |
| | | | | | |

17. Engine section F

GM2810A

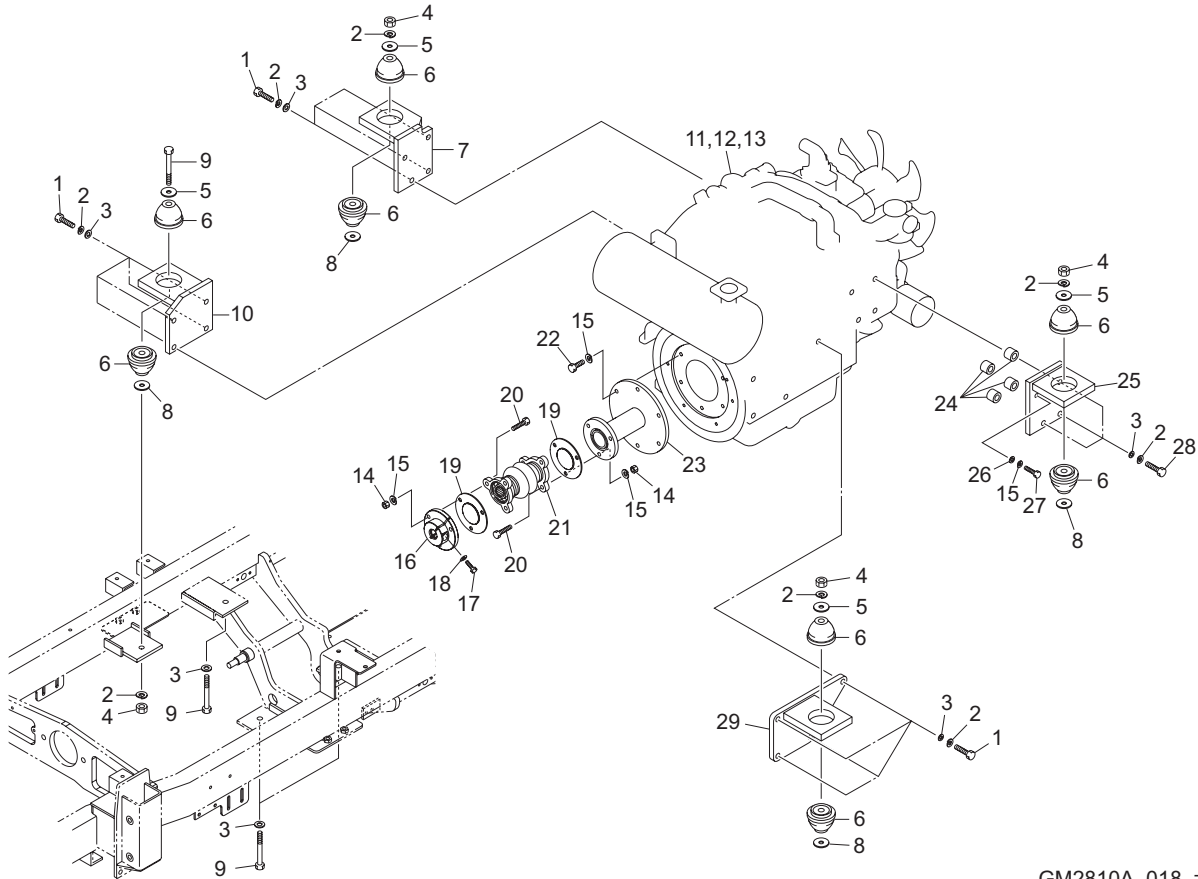


GM2810A_017_z00

| Cat No. | Code No. | Part name | Qty | Remark | SN of application |
|---------|---------------|-----------------------------------|-----|--------|-------------------|
| 17-1 | K3612000070 | TERMINAL, BATTERY (+) 4013-D-8-1 | 1 | | |
| 17-2 | K3610000620 | WIRE, BATTERY (+) 500 | 1 | | |
| 17-3 | K3194103200 | TUBE, CORRUGATED, 10-320 | 1 | | |
| 17-4 | K0002120252 | BOLT, P1.25 M12-25 | 1 | | |
| 17-5 | K0200120002 | WASHER, SPRING M12 | 1 | | |
| 17-6 | K5000120002 | WASHER, M12 | 1 | | |
| 17-7 | K3611000490 | WIRE, TO EARTH 500 | 1 | | |
| 17-8 | K3612000080 | TERMINAL, BATTERY (-) 4013-D-8-2 | 1 | | |
| 17-9 | K0000080152 | BOLT, M8-15 | 3 | | |
| 17-10 | K0200080002 | WASHER, SPRING M8 | 5 | | |
| 17-11 | K5000080002 | WASHER, M8 | 1 | | |
| 17-12 | K3611000430 | WIRE, TO EARTH 500 | 1 | | |
| 17-13 | K3600000180 | BATTERY, FX105D31R | 1 | | |
| 17-14 | K3662000030 | SWITCH, TOGGLE AUTO-RETURN ET115G | 1 | | |
| 17-15 | K3641000090 | LAMP, WORKING LED RED | 1 | | |
| 17-16 | K4203001420 | DECAL, DIFFERENTIAL LOCK | 1 | | |
| 17-17 | K4205002250 | DECAL, CAUTION LAMP ENGINE | 1 | | |
| 17-18 | GM2810A0503ZD | BOX, SWITCH | 1 | | |
| 17-19 | K0100080002 | NUT, M8 | 2 | | |
| 17-20 | K3640000060 | LAMP, V31623A | 2 | | |
| 17-21 | K3720000120 | SENSOR, PROXIMITY E2E-X5E2 | 2 | | |
| 17-22 | K0073000052 | BOLT, W/F-RING M8-40A | 1 | | |
| 17-23 | K3671000150 | SWITCH, LIMIT V17680A | 1 | | |

18. Engine section G

GM2810A

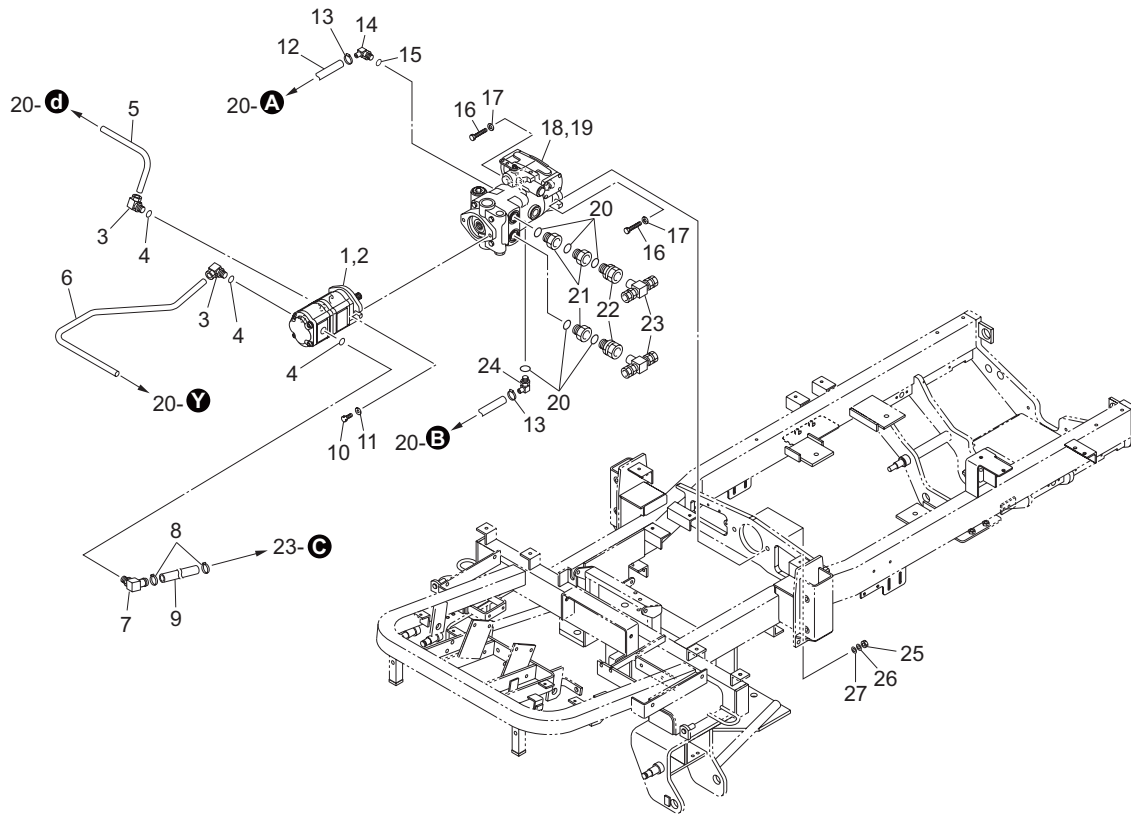


GM2810A_018_z00

| Cat No. | Code No. | Part name | Qty | Remark | SN of application |
|---------|----------------|----------------------------------|-----|----------------|-------------------|
| 18-1 | K0012120352 | BOLT, HT P1.25 M12-35 | 12 | | |
| 18-2 | K0200120002 | WASHER, SPRING M12 | 19 | | |
| 18-3 | K5000120002 | WASHER, M12 | 19 | | |
| 18-4 | K0100120002 | NUT, M12 | 4 | | |
| 18-5 | K5076012402 | WASHER, SPHC 6-12-40 | 4 | | |
| 18-6 | K4042000100 | RUBBER, ISOLATOR TO MOUNT ENGINE | 8 | | |
| 18-7 | GM2800-0515ZD | BRACKET, ENGINE B | 1 | | |
| 18-8 | K5011613402 | WASHER, SPCC 1.6-13-40 | 1-4 | for adjustment | |
| 18-9 | K0013121102 | BOLT, HT M12-110 | 4 | | |
| 18-10 | GM2800-0533ZD | BRACKET, ENGINE A | 1 | | |
| 18-11 | K2691000440 | ENGINE, KUBOTA V2403-CR-TE5B | 1 | | |
| 18-12 | PF17266-9701-0 | BELT, COGGED 42.5-A | 1 | | |
| 18-13 | PF16414-3243-4 | FILTER (OIL CARTRIDGE) | 1 | | |
| 18-14 | K0100100002 | NUT, M10 | 6 | | |
| 18-15 | K0200100002 | WASHER, SPRING M10 | 13 | | |
| 18-16 | K6204000572 | DISK, DRIVING PUMP SIDE | 1 | | |
| 18-17 | K001A100401 | BOLT, 13T W/HEX HOLE M10-40 | 1 | | |
| 18-18 | K0215100002 | WASHER, DISK SPRING 2H M10 | 1 | | |
| 18-19 | K6204000562 | SPACER, 118 | 2 | | |
| 18-20 | K0010100352 | BOLT, HT M10-35 | 6 | | |
| 18-21 | K1620000270 | JOINT, BC75ACP230 | 1 | | |
| 18-22 | K0011100302 | BOLT, HT P1.25 M10-30 | 6 | | |
| 18-23 | GM2810-0501Z2 | ADAPTER, FLYWHEEL | 1 | | |
| 18-24 | K6212000542 | COLLAR, STKM M12.8-22-20 | 4 | | |
| 18-25 | GM2810-0525ZD | BRACKET, ENGINE D | 1 | | |
| 18-26 | K5000100002 | WASHER, M10 | 1 | | |
| 18-27 | K0011100502 | BOLT, HT P1.25 M10-50 | 1 | | |
| 18-28 | K0012120552 | BOLT, HT P1.25 M12-55 | 3 | | |
| 18-29 | LM2700-0504ZD | BRACKET, ENGINE C | 1 | | |

19. Hydraulic section A

GM2810A

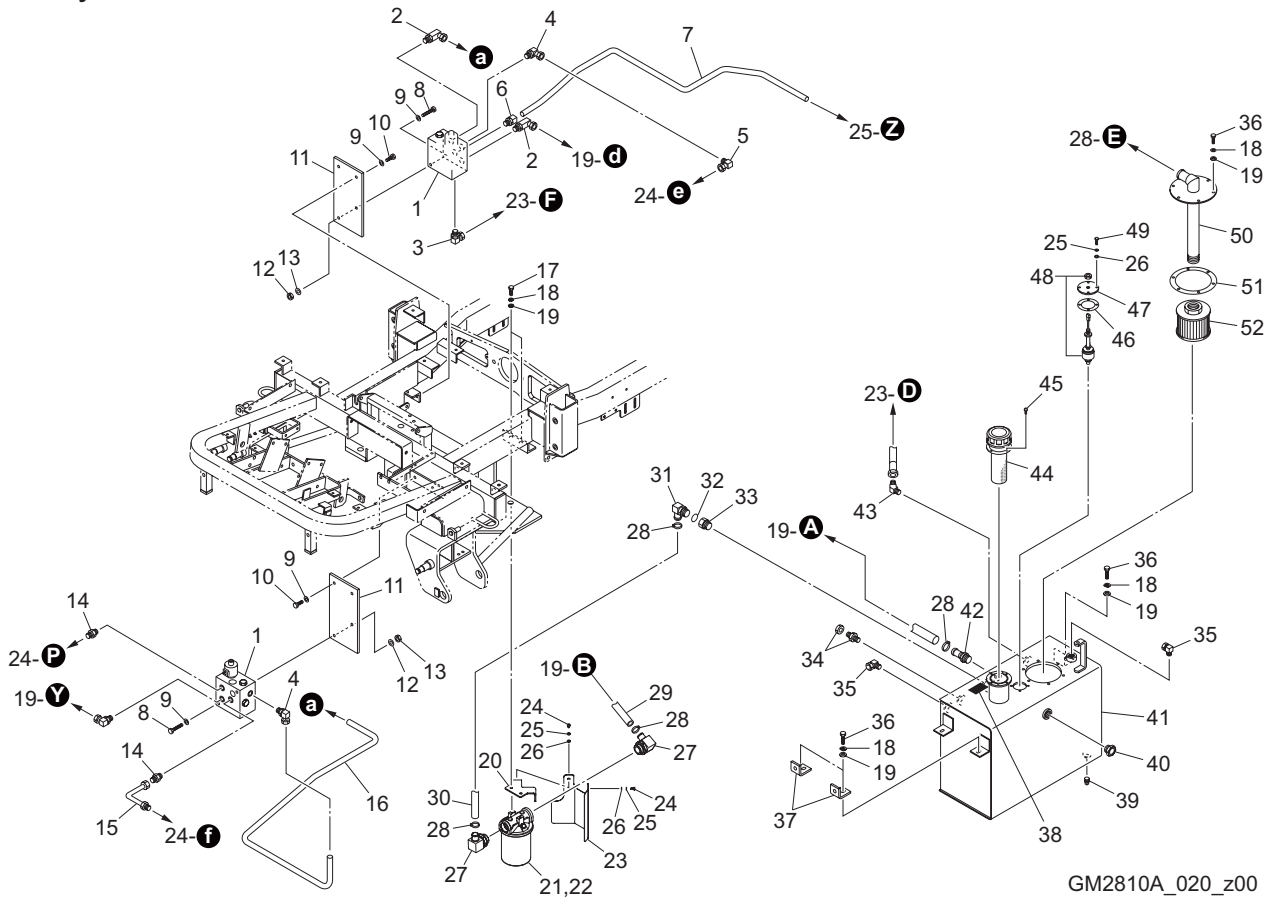


GM2810A_019_z00

| Cat No. | Code No. | Part name | Qty | Remark | SN of application |
|---------|-----------------|------------------------------------|-----|--------|-------------------|
| 19a-1 | K3252000100 | PUMP, GEAR PBB44RK | 1 | | |
| 19-2 | Y62-10313 | SEAL KIT, GEAR PUMP | 1 | | |
| 19-3 | K3026416081-Y | NIPPLE, LONG ELBOW KLO16-040E | 2 | | |
| 19-4 | K0881018000 | O-RING, P18B | 3 | | |
| 19-5 | GM2810-0802Z2-Y | PIPE, B | 1 | | |
| 19-6 | GM2810-0801Z2-Y | PIPE, A | 1 | | |
| 19-7 | K3008000212-Y | ADAPTER, ODD SIZED 90 DEG FPD2576 | 1 | | |
| 19-8 | K4260000200 | CLAMP, HOSE JUBILEE BAND 2A | 2 | | |
| 19-9 | K3100A00410 | HOSE, WP35-38-0-410 | 1 | | |
| 19-10 | K0069000251 | BOLT, 3/8-16 UNC 31.8 | 2 | | |
| 19-11 | K5073210242 | WASHER, SPHC 3.2-10-24 | 2 | | |
| 19-12 | K3149010750 | HOSE, S-25-750 | 1 | | |
| 19-13 | K4260000190 | CLAMP, HOSE JUBILEE BAND 1 | 2 | | |
| 19-14 | K3008000302-Y | ELBOW, ADJUSTABLE FPD21941 | 1 | | |
| 19-15 | K0887000420 | O-RING, AS568-042 | 1 | | |
| 19-16 | K0010120502 | BOLT, HT M12-50 | 2 | | |
| 19-17 | K5073212352 | WASHER, SPHC 3.2-12-35 | 2 | | |
| 19-18 | K3244000060 | PUMP, PISTON 72400 | 1 | | |
| 19-19 | Y72400-908 | SEAL KIT, PISTON PUMP 72400 | 1 | | |
| 19-20 | K0887009160 | O-RING, AS568-916 | 6 | | |
| 19-21 | K3008000632-Y | CONNECTOR, W/O-RING 4043-1 5/16-O | 3 | | |
| 19-22 | K3008000622-Y | CONNECTOR, W/O-RING 1202-25-1 5/16 | 2 | | |
| 19-23 | K3027025001-Y | TEE, KTB 25-000E | 2 | | |
| 19-24 | K3008000312-Y | ELBOW, ADJUSTABLE FPD21939 | 1 | | |
| 19-25 | K0100120002 | NUT, M12 | 2 | | |
| 19-26 | K0200120002 | WASHER, SPRING M12 | 2 | | |
| 19-27 | K5000120002 | WASHER, M12 | 2 | | |

20. Hydraulic section B

GM2810A

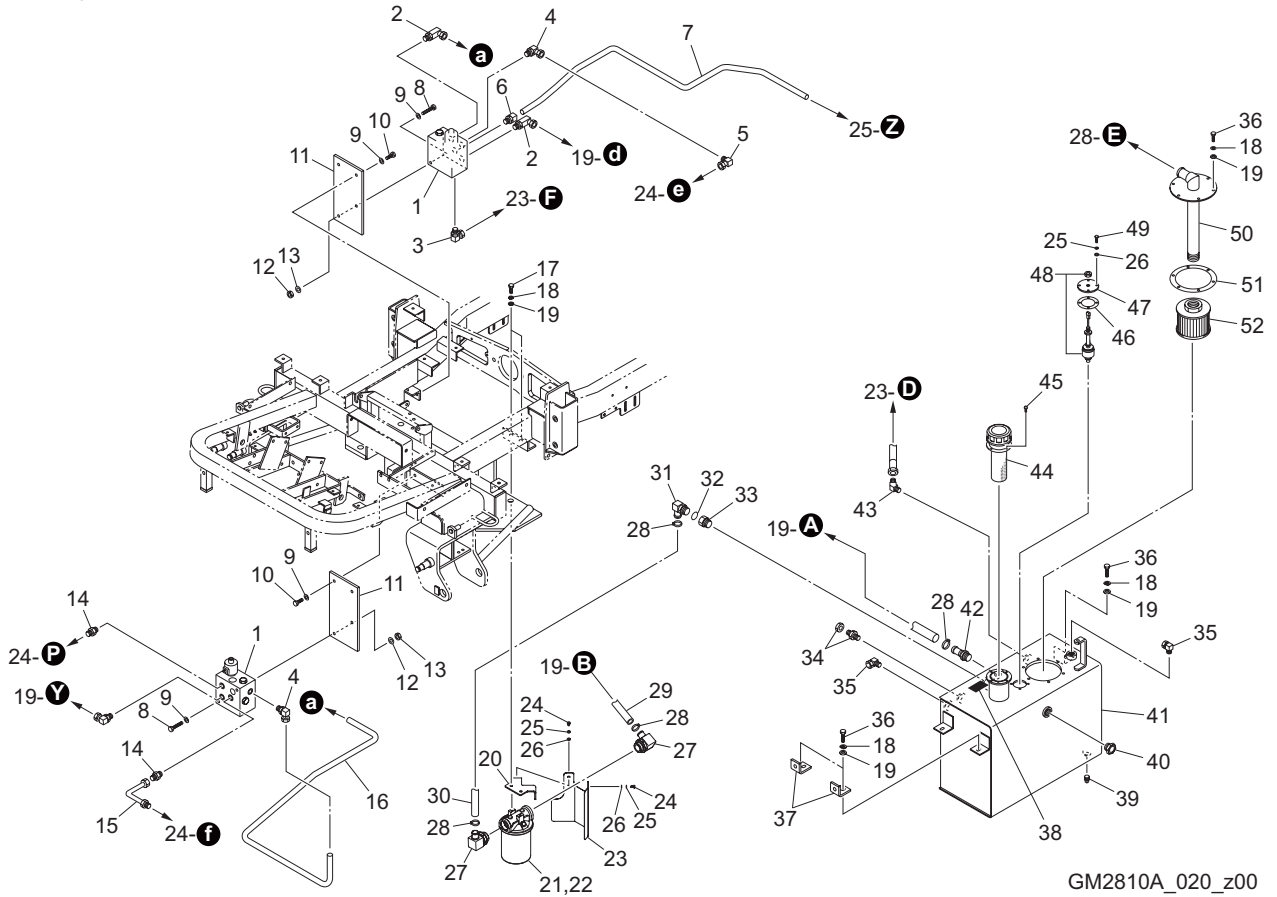


GM2810A_020_z00

| Cat No. | Code No. | Part name | Qty | Remark | SN of application |
|---------|-----------------|---------------------------------|-----|--------|-------------------|
| 20-1 | K3313000700 | VALVE COMP, SOLENOID HF87276-13 | 2 | | |
| 20-2 | K3028416081-Y | NIPPLE, ELBOW KLG16-040E | 2 | | |
| 20-3 | K3026425121-Y | NIPPLE, KLO 25-060E | 1 | | |
| 20-4 | K3026416081-Y | NIPPLE, LONG ELBOW KLO16-040E | 2 | | |
| 20-5 | K3027116001-Y | ELBOW, KLC 16-000E | 1 | | |
| 20-6 | K3026316081-Y | CONNECTOR, KCO 16-040E | 1 | | |
| 20-7 | GM2810-0810Z2-Y | PIPE, J | 1 | | |
| 20-8 | K0000101002 | BOLT, M10-100 | 4 | | |
| 20-9 | K0200100002 | WASHER, SPRING M10 | 8 | | |
| 20-10 | K0000100302 | BOLT, M10-30 | 4 | | |
| 20-11 | GM2810-0814AD | PLATE, FIXING VALVE | 2 | | |
| 20-12 | K5000100002 | WASHER, M10 | 4 | | |
| 20-13 | K0100100002 | NUT, M10 | 4 | | |
| 20-14 | K3009000092-Y | ADAPTER, PF1/2*PF1/2 | 2 | | |
| 20-15 | K3025069082-Y | ADAPTER, FOR PIPE 069-08 | 1 | | |
| 20-16 | GM2810-0808Z2-Y | PIPE, H | 1 | | |
| 20-17 | K0069000301 | BOLT, UNC18 5/16-18-25 | 2 | | 11021- |
| 20-18 | K0200080002 | WASHER, SPRING M8 | 11 | | 11021- |
| 20-19 | K5000080002 | WASHER, M8 | 11 | | 11021- |
| 20-20 | LM2700-0882ZD | BRACKET, CHARGE FILTER | 1 | | 11021- |
| 20-21 | K3416000030 | HEAD ASSY, OIL FILTERP576562 | 1 | | 11021- |
| 20-22 | K3416000040 | FILTER, CARTRIDGE P565245 | 1 | | 11021- |
| 20-23 | LM2700-0883ZD | PLATE, PROTECTING FILTER | 1 | | 11021- |
| 20-24 | K0000060122 | BOLT, M6-12 | 2 | | 11021- |
| 20-25 | K0200060002 | WASHER, SPRING M6 | 6 | | 11021- |
| 20-26 | K5000060002 | WASHER, M6 | 6 | | 11021- |
| 20-27 | K3008000922-Y | ELBOW, W/O-RING 1*5/8-12UN | 2 | | 11021- |
| 20-28 | K4260000190 | CLAMP, HOSE JUBILEE BAND 1 | 4 | | 11021- |
| 20-29 | K3149010140 | HOSE, S-25-140 | 1 | | 11021- |
| 20-30 | K3149010210 | HOSE, S-25-210 | 1 | | 11021- |

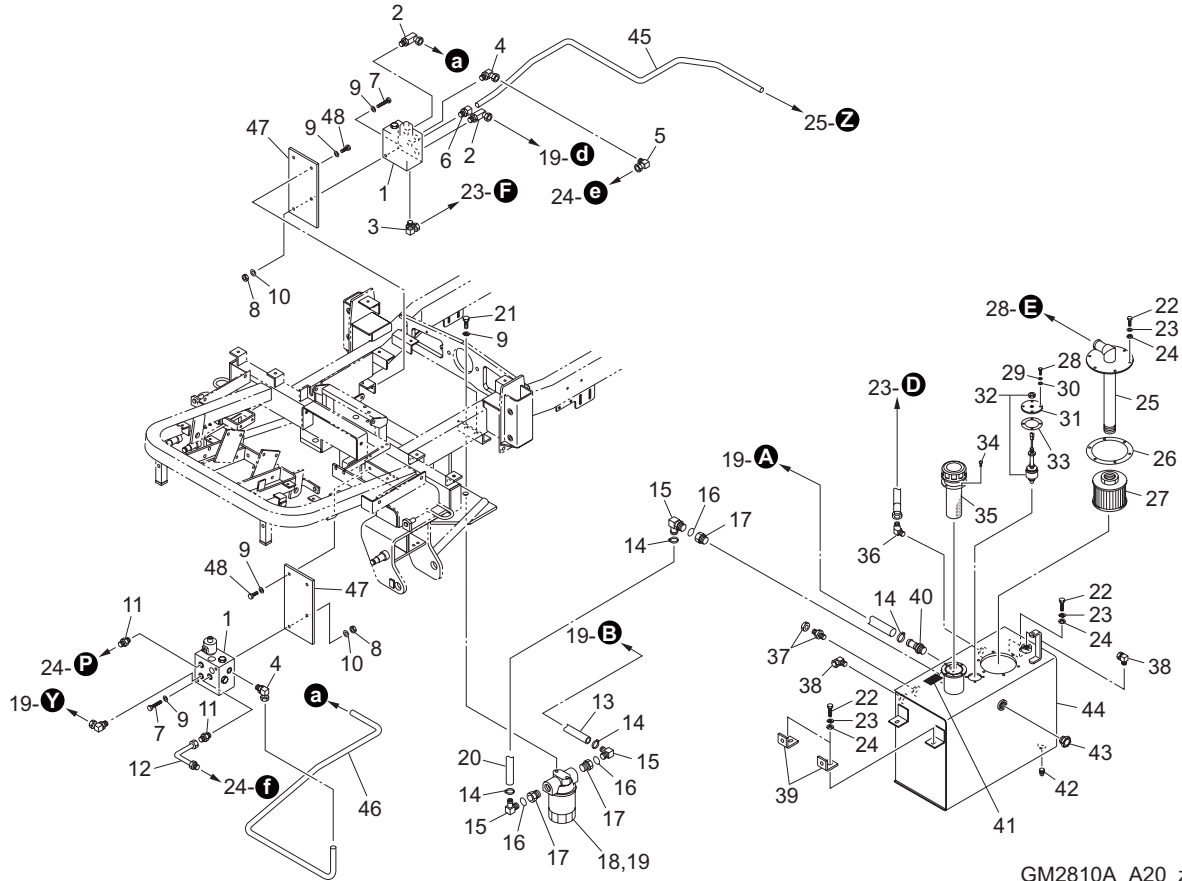
20. Hydraulic section B

GM2810A



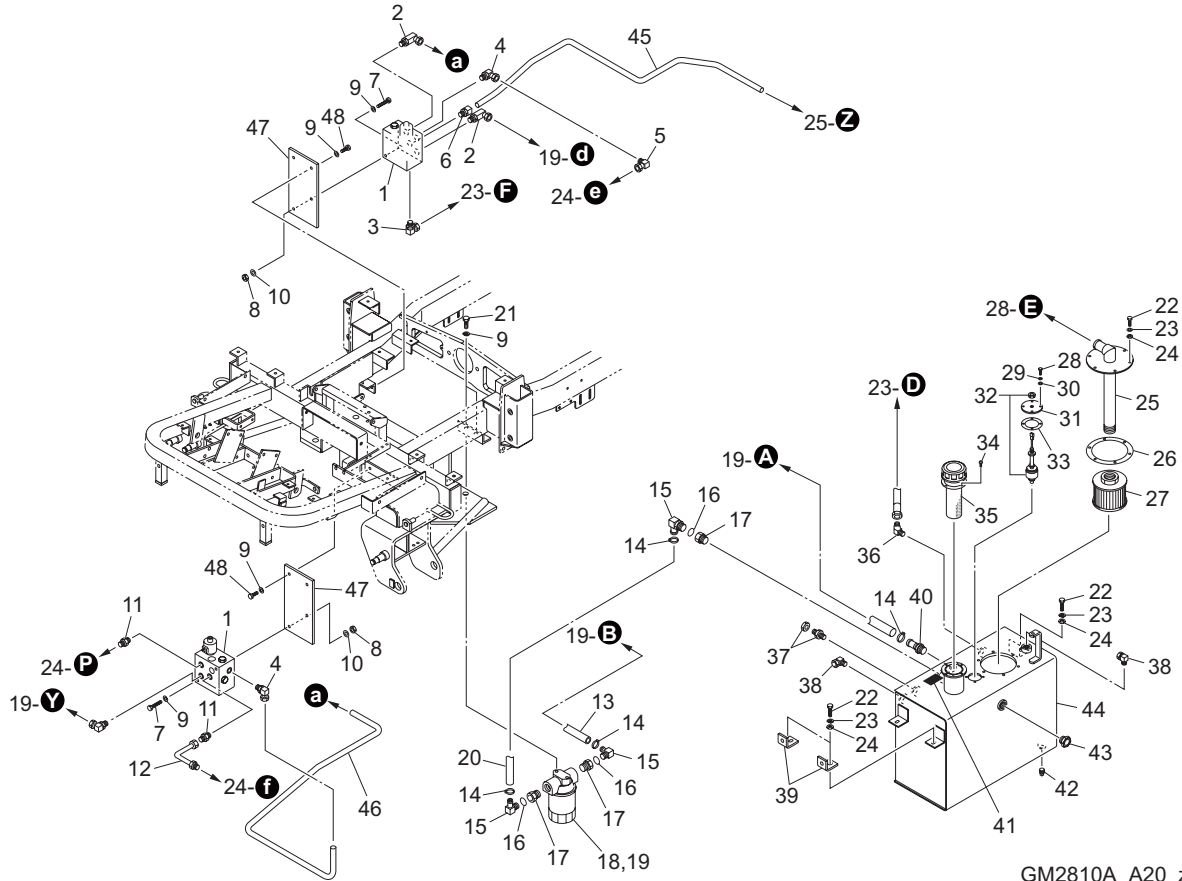
GM2810A_020_z00

| Cat No. | Code No. | Part name | Qty | Remark | SN of application |
|---------|-----------------|---------------------------------|-----|--------|-------------------|
| 20-31 | K3008000312-Y | ELBOW, ADJUSTABLE FPD21939 | 1 | | |
| 20-32 | K0887009160 | O-RING, AS568-916 | 1 | | |
| 20-33 | K3008000642-Y | CONNECTOR, W/O-RING 4400-25-16 | 1 | | |
| 20-34 | K3026610081-Y | CONNECTOR, KCT 10-040E | 1 | | |
| 20-35 | K3028010081-Y | ELBOW, KLN 12-040E | 2 | | |
| 20-36 | K0000080202 | BOLT, M8-20 | 9 | | |
| 20-37 | LM2700-0950ZD | PLATE, MOUNTING SIDE COVER | 2 | | |
| 20-38 | K4209000980 | DECAL, HYDRAULIC OIL | 1 | | |
| 20-39 | K1422106001-Y | PLUG, TAPERED W/HEX HOLE T1 3/8 | 1 | | |
| 20-40 | K1400000044-Y | GAUGE, OIL PF3/4 TYPE M | 1 | | |
| 20-41 | GM2810-0813AD-Y | TANK, HYDRAULIC | 1 | | |
| 20-42 | K3009000132-Y | ADAPTER, MO-JS-25 | 1 | | |
| 20-43 | K3003120002-Y | ELBOW, 45 DEG 1035-12 | 1 | | |
| 20-44 | K3400000030 | BREATHER, REFUELING HOLE FAB-50 | 1 | | |
| 20-45 | K0044050102 | SCREW, + ROUND HEAD W/SW M5-10 | 4 | | |
| 20-46 | K4011000330 | PACKING, OIL-SHEET 0.8-4575 | 1 | | |
| 20-47 | LM526--0809Z2-Y | BRACKET, OIL LEVEL SENSOR | 1 | | |
| 20-48 | K3720000130 | SENSOR, LEVEL SWITCH | 1 | | |
| 20-49 | K0000060202 | BOLT, M6-20 | 4 | | |
| 20-50 | GM2800-0862Z2-Y | ATTACHMENT, SUCTION HOSE | 1 | | |
| 20-51 | LM535E-0434Z0 | PACKING, SUCTION PORT | 1 | | |
| 20-52 | K3413000040 | FILTER, SUCTION SFT-10-150W | 1 | | |



GM2810A_A20_z00

| Cat No. | Code No. | Part name | Qty | Remark | SN of application |
|---------|-----------------|---------------------------------|-----|--------|-------------------|
| A20-1 | K3313000700 | VALVE COMP, SOLENOID HF87276-13 | 2 | | |
| A20-2 | K3028416081-Y | NIPPLE, ELBOW KLG16-040E | 2 | | |
| A20-3 | K3026425121-Y | NIPPLE, KLO 25-060E | 1 | | |
| A20-4 | K3026416081-Y | NIPPLE, LONG ELBOW KLO16-040E | 2 | | |
| A20-5 | K3027116001-Y | ELBOW, KLC 16-000E | 1 | | |
| A20-6 | K3026316081-Y | CONNECTOR, KCO 16-040E | 1 | | |
| A20-7 | K0000101002 | BOLT, M10-100 | 4 | | |
| A20-8 | K0100100002 | NUT, M10 | 4 | | |
| A20-9 | K0200100002 | WASHER, SPRING M10 | 8 | | -11020 |
| A20-10 | K5000100002 | WASHER, M10 | 4 | | |
| A20-11 | K3009000092-Y | ADAPTER, PF1/2*PF1/2 | 2 | | |
| A20-12 | K3025069082-Y | ADAPTER, FOR PIPE 069-08 | 1 | | |
| A20-13 | K3149010240 | HOSE, S-25-240 | 1 | | -11020 |
| A20-14 | K4260000190 | CLAMP, HOSE JUBILEE BAND 1 | 4 | | -11020 |
| A20-15 | K3008000312-Y | ELBOW, ADJUSTABLE FPD21939 | 3 | | -11020 |
| A20-16 | K0887009160 | O-RING, AS568-916 | 3 | | -11020 |
| A20-17 | K3008000642-Y | CONNECTOR, W/O-RING 4400-25-16 | 3 | | -11020 |
| A20-18 | K3410000020 | FILTER, CARTRIDGE CF-80-10U | 1 | | -11020 |
| A20-19 | K3410000030 | FILTER, CARTRIDGE F-913-1 | 1 | | -11020 |
| A20-20 | K3149010210 | HOSE, S-25-210 | 1 | | -11020 |
| A20-21 | K0000100202 | BOLT, M10-20 | 2 | | -11020 |
| A20-22 | K0000080202 | BOLT, M8-20 | 9 | | |
| A20-23 | K0200080002 | WASHER, SPRING M8 | 9 | | |
| A20-24 | K5000080002 | WASHER, M8 | 9 | | |
| A20-25 | GM2800-0862Z2-Y | ATTACHMENT, SUCTION HOSE | 1 | | |
| A20-26 | LM535E-0434Z0 | PACKING, SUCTION PORT | 1 | | |
| A20-27 | K3413000040 | FILTER, SUCTION SFT-10-150W | 1 | | |
| A20-28 | K0000060202 | BOLT, M6-20 | 4 | | |
| A20-29 | K0200060002 | WASHER, SPRING M6 | 4 | | |
| A20-30 | K5000060002 | WASHER, M6 | 4 | | |

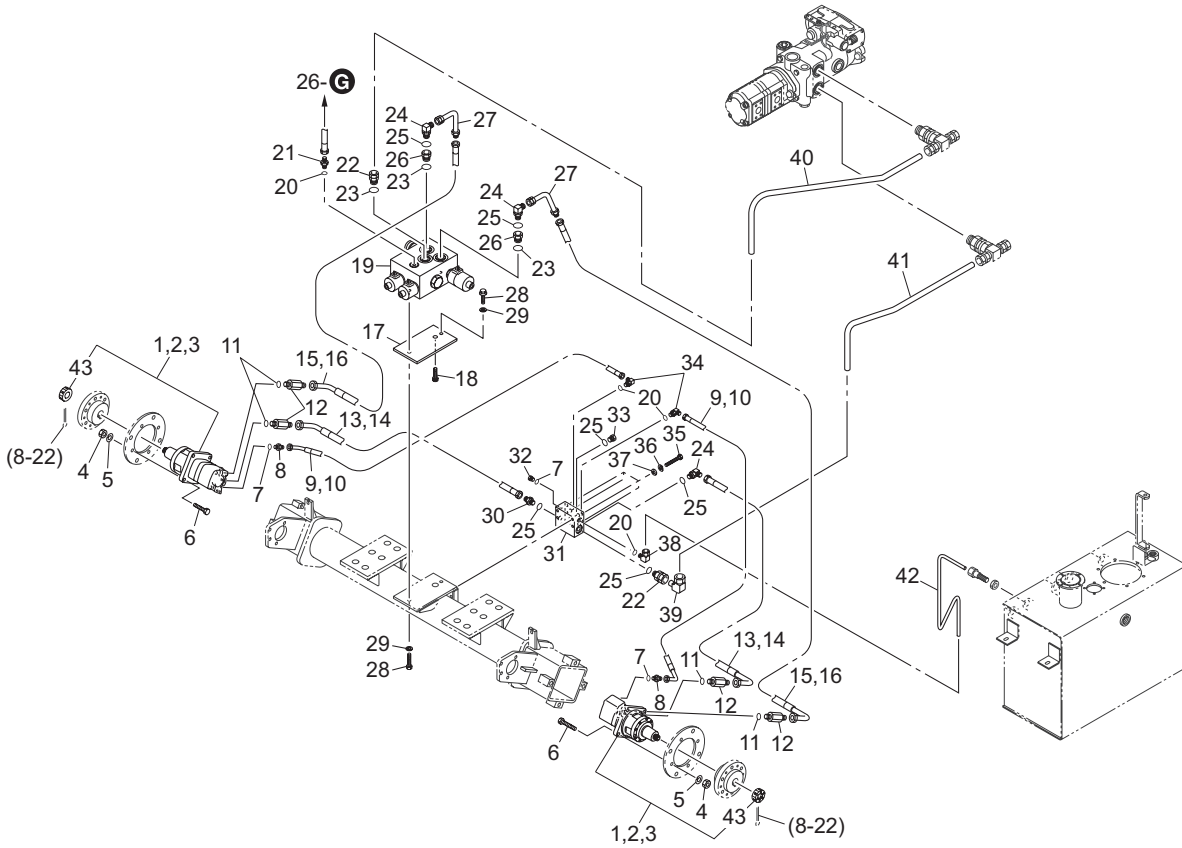


GM2810A_A20_z00

| Cat No. | Code No. | Part name | Qty | Remark | SN of application |
|---------|-----------------|---------------------------------|-----|--------|-------------------|
| A20-31 | LM526--0809Z2-Y | BRACKET, OIL LEVEL SENSOR | 1 | | |
| A20-32 | K3720000130 | SENSOR, LEVEL SWITCH | 1 | | |
| A20-33 | K4011000330 | PACKING, OIL-SHEET 0.8-4575 | 1 | | |
| A20-34 | K0044050102 | SCREW, + ROUND HEAD W/SW M5-10 | 4 | | |
| A20-35 | K3400000030 | BREATHER, REFUELING HOLE FAB-50 | 1 | | |
| A20-36 | K3003120002-Y | ELBOW, 45 DEG 1035-12 | 1 | | |
| A20-37 | K3026610081-Y | CONNECTOR, KCT 10-040E | 1 | | |
| A20-38 | K3028010081-Y | ELBOW, KLN 12-040E | 2 | | |
| A20-39 | LM2700-0950ZD | PLATE, MOUNTING SIDE COVER | 2 | | |
| A20-40 | K3009000132-Y | ADAPTER, MO-JS-25 | 1 | | |
| A20-41 | K4209000980 | DECAL, HYDRAULIC OIL | 1 | | |
| A20-42 | K1422106001-Y | PLUG, TAPERED W/HEX HOLE T1 3/8 | 1 | | |
| A20-43 | K1400000044-Y | GAUGE, OIL PF3/4 TYPE M | 1 | | |
| A20-44 | GM2810-0813AD-Y | TANK, HYDRAULIC | 1 | | |
| A20-45 | GM2810-0810Z2-Y | PIPE, J | 1 | | |
| A20-46 | GM2810-0808Z2-Y | PIPE, H | 1 | | |
| A20-47 | GM2810-0814AD | PLATE, FIXING VALVE | 2 | | |
| A20-48 | K0000100302 | BOLT, M10-30 | 4 | | |
| | | | | | |
| | | | | | |

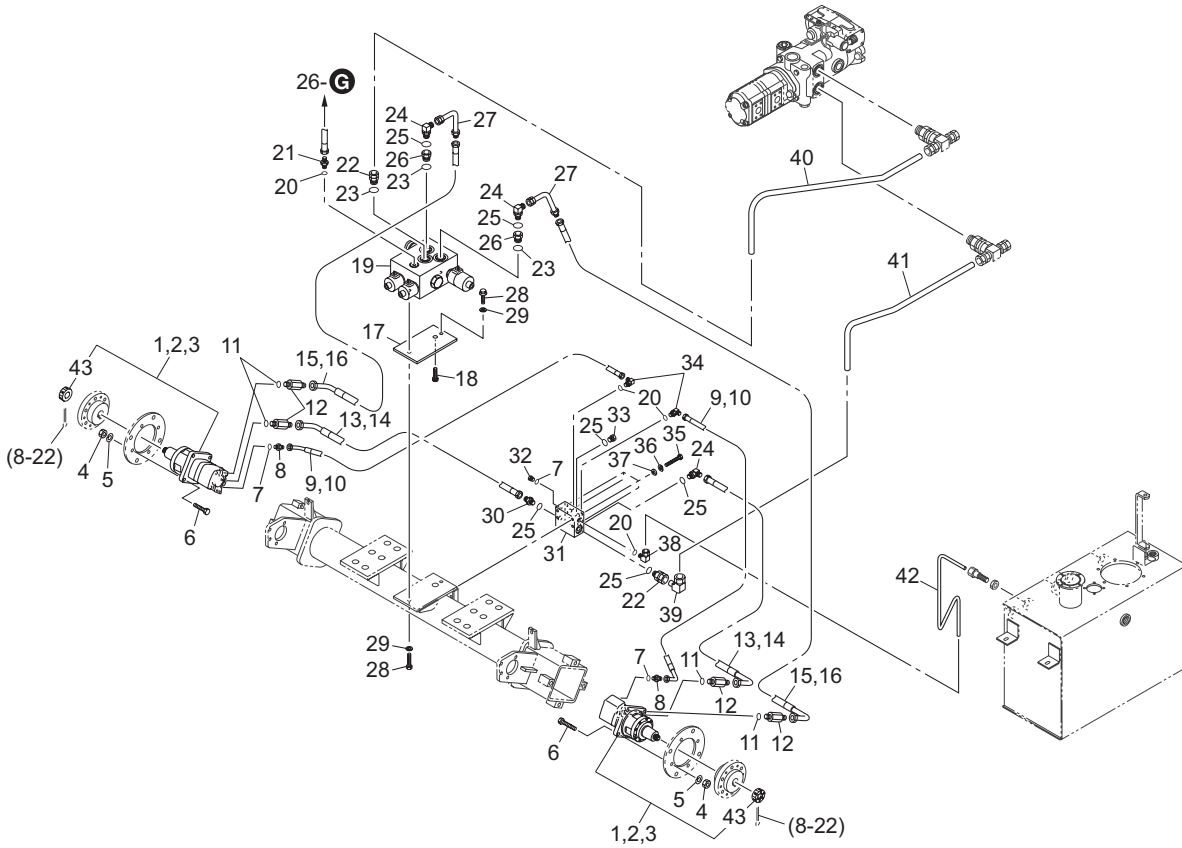
21. Hydraulic section C

GM2810A



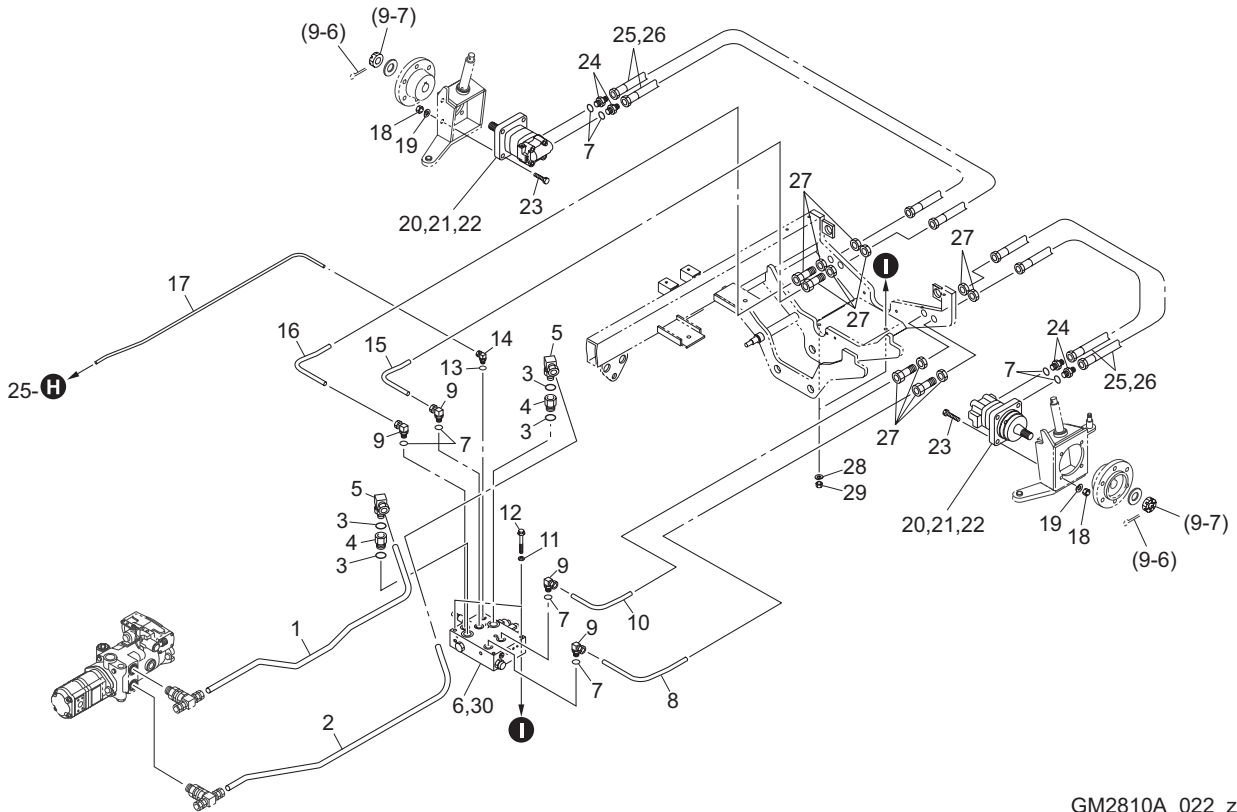
GM2810A_021_z00

| Cat No. | Code No. | Part name | Qty | Remark | SN of application |
|---------|---------------|------------------------------------|-----|--------|-------------------|
| 21-1 | K3291000250 | MOTOR, WHEEL 4-490BBAS-F9376 | 2 | | |
| 21-2 | Y61234S | SEAL KIT, WHEEL MOTOR 4000 (REAR) | 2 | | |
| 21-3 | YAE0325A | SEAL KIT, WHEEL MOTOR 4000 (SHAFT) | 2 | | |
| 21-4 | K0100140002 | NUT, M14 | 8 | | |
| 21-5 | K0200140002 | WASHER, SPRING M14 | 8 | | |
| 21-6 | K0013140502 | BOLT, HT M14-50 | 8 | | |
| 21-7 | K0887009040 | O-RING, AS568-904 | 3 | | |
| 21-8 | K3008000342-Y | CONNECTOR, W/O-RING 1096-6 | 2 | | |
| 21-9 | K3101220700 | HOSE, WP70-6-2-700 | 2 | | |
| 21-10 | K3190006000 | TUBE, SPIRAL SP-12 600 | 2 | | |
| 21-11 | K0887009120 | O-RING, AS568-912 | 4 | | |
| 21-12 | K3008000382-Y | CONNECTOR, W/O-RING 1 | 4 | | |
| 21-13 | K3106430600 | HOSE, WP245-12-3-600 | 2 | | |
| 21-14 | K3191005000 | TUBE, SPIRAL SP-15 500 | 2 | | |
| 21-15 | K3106430700 | HOSE, WP245-12-3-700 | 2 | | |
| 21-16 | K3191006000 | TUBE, SPIRAL SP-15 600 | 2 | | |
| 21-17 | LM2700-0831ZD | MOUNT, DIFF LOCK VALVE | 1 | | |
| 21-18 | K001A100151 | BOLT, 13T W/HEX HOLE M10-15 | 1 | | |
| 21-19 | K3313000640 | VALVE COMP, SOLENOID HF78445-12 | 1 | | |
| 21-20 | K0881014000 | O-RING, P14B | 4 | | |
| 21-21 | K3009000202-Y | ADAPTER, PF1/4*PF3/8 | 1 | | |
| 21-22 | K3026325121-Y | CONNECTOR, KCO 25-060E | 2 | | |
| 21-23 | K0881024000 | O-RING, P24B | 3 | | |
| 21-24 | K3008000042-Y | ELBOW, ADJUSTABLE 90 1086-12 | 3 | | |
| 21-25 | K0881018000 | O-RING, P18B | 6 | | |
| 21-26 | K3029000312-Y | BUSHING, PF1/2*PF3/4 | 2 | | |
| 21-27 | K3025064082-Y | ADAPTER, FOR PIPE 064-08 | 2 | | |
| 21-28 | K0000100302 | BOLT, M10-30 | 2 | | |
| 21-29 | K0200100002 | WASHER, SPRING M10 | 2 | | |
| 21-30 | K3009000092-Y | ADAPTER, PF1/2*PF1/2 | 1 | | |



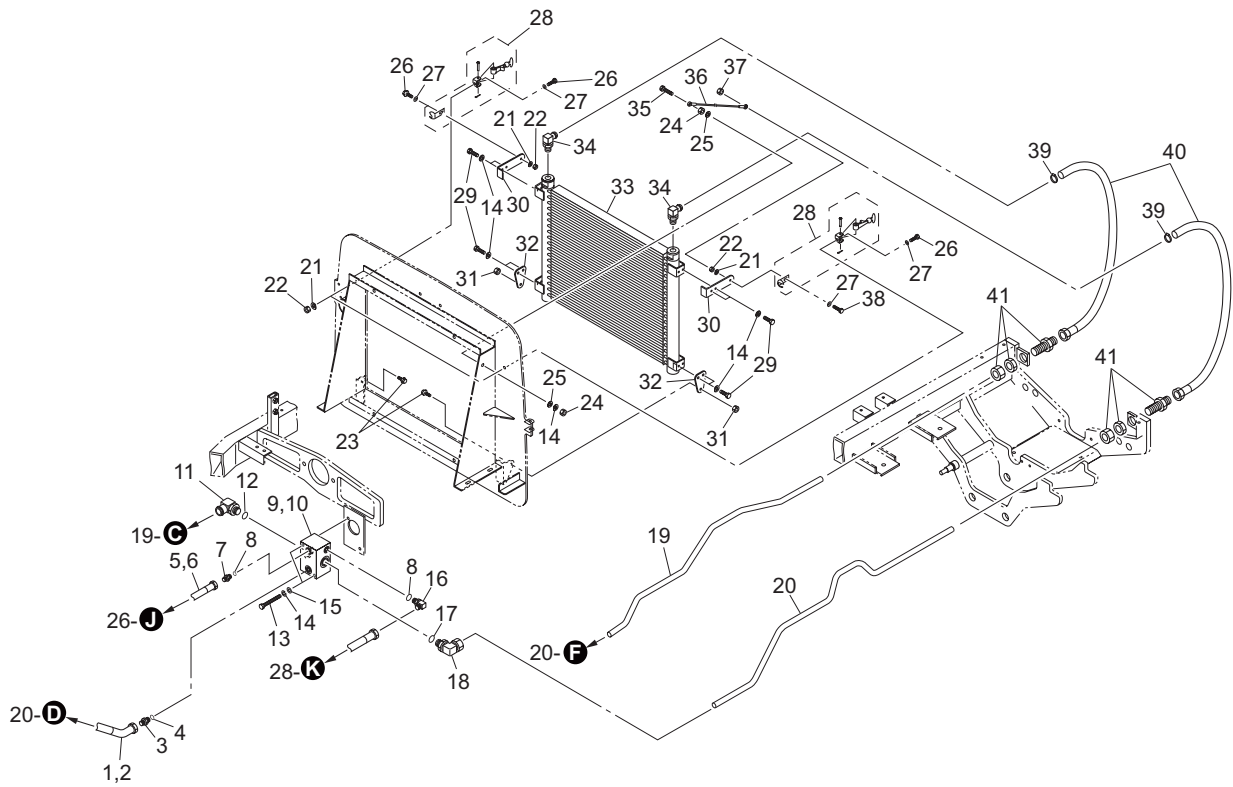
GM2810A_021_z00

| Cat No. | Code No. | Part name | Qty | Remark | SN of application |
|---------|-----------------|-----------------------------|-----|--------|-------------------|
| 21-31 | LM2700-0821Z2-Y | MANIFOLD | 1 | | |
| 21-32 | K1420000222-Y | PLUG, W/O-RING 215-PF1/4 | 1 | | |
| 21-33 | K1420000232-Y | PLUG, O-RING 215-PF1/2 | 1 | | |
| 21-34 | K3008000442-Y | ELBOW, ADJUSTABLE 90 1086-6 | 2 | | |
| 21-35 | K0003080702 | BOLT, M8-70 | 4 | | |
| 21-36 | K0200080002 | WASHER, SPRING M8 | 4 | | |
| 21-37 | K5000080002 | WASHER, M8 | 4 | | |
| 21-38 | K3026410041-Y | NIPPLE, KLO 10-020KNNT | 1 | | |
| 21-39 | K3027125001-Y | ELBOW, KLC 25-000E | 1 | | |
| 21-40 | GM2810-0811Z2-Y | PIPE, K | 1 | | |
| 21-41 | GM2810-0812Z2-Y | PIPE, L | 1 | | |
| 21-42 | GM2800-0820Z2-Y | PIPE, L | 1 | | |
| 21-43 | Y14230 | NUT, WHEEL MOTOR 4000 | 2 | | |
| | | | | | |
| | | | | | |
| | | | | | |
| | | | | | |



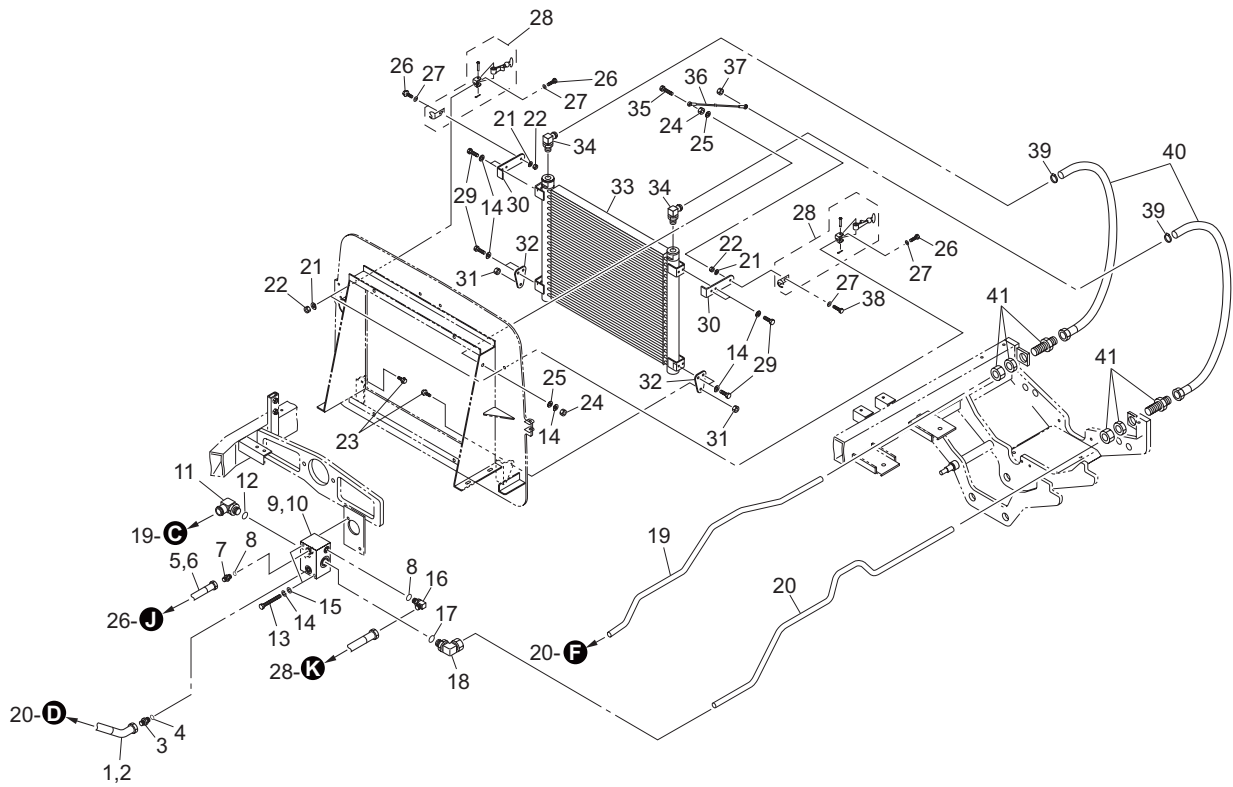
GM2810A_022_z00

| Cat No. | Code No. | Part name | Qty | Remark | SN of application |
|---------|-----------------|------------------------------------|-----|--------|-------------------|
| 22-1 | GM2810-0803Z2-Y | PIPE, C | 1 | | |
| 22-2 | GM2810-0804Z2-Y | PIPE, D | 1 | | |
| 22-3 | K0881024000 | O-RING, P24B | 4 | | |
| 22-4 | K3008000662-Y | CONNECTOR, W/O-RING 1110-19-19 | 2 | | |
| 22-5 | K3026425121-Y | NIPPLE, KLO 25-060E | 2 | | |
| 22-6 | K3313000290 | VALVE COMP, SOLENOID V4205 | 1 | | |
| 22-7 | K0881018000 | O-RING, P18B | 8 | | |
| 22-8 | GM2800-0810Z2-Y | PIPE, B | 1 | | |
| 22-9 | K3026416081-Y | NIPPLE, LONG ELBOW KLO16-040E | 4 | | |
| 22-10 | GM2800-0812A2-Y | PIPE, D | 1 | | |
| 22-11 | K5000100002 | WASHER, M10 | 2 | | |
| 22-12 | K0003100902 | BOLT, M10-90 | 2 | | |
| 22-13 | K0881011000 | O-RING, P11B | 1 | | |
| 22-14 | K3028410081-Y | ELBOW, KLG10-020E | 1 | | |
| 22-15 | GM2800-0811A2-Y | PIPE, C | 1 | | |
| 22-16 | GM2800-0809Z2-Y | PIPE, A | 1 | | |
| 22-17 | GM2800-0877Z2-Y | PIPE, P | 1 | | |
| 22-18 | K0100120002 | NUT, M12 | 8 | | |
| 22-19 | K0200120002 | WASHER, SPRING M12 | 8 | | |
| 22-20 | K3291000190 | MOTOR, WHEEL 2-200BS4S | 2 | | |
| 22-21 | Y61091S | SEAL KIT, 2000 ORBIT MOTOR (SHAFT) | 2 | | |
| 22-22 | Y61090S | SEAL KIT, 2000 ORBIT MOTOR (REAR) | 2 | | |
| 22-23 | K0000120452 | BOLT, M12-45 | 8 | | |
| 22-24 | K3009000092-Y | ADAPTER, PF1/2*PF1/2 | 4 | | |
| 22-25 | K3105410800 | HOSE, WP210-12-1-800 | 4 | | |
| 22-26 | K3191007000 | TUBE, SPIRAL SP-15 700 | 4 | | |
| 22-27 | K3026916081-Y | UNION, KUE 16-040E | 4 | | |
| 22-28 | K0200100002 | WASHER, SPRING M10 | 2 | | |
| 22-29 | K0100100002 | NUT, M10 | 2 | | |
| 22-30 | YZ40068516 | SEAL KIT, SK08-3N-MM | 1 | | |



GM2810A_023_z00

| Cat No. | Code No. | Part name | Qty | Remark | SN of application |
|---------|-----------------|-----------------------------------|-----|--------|-------------------|
| 23-1 | K3101420550 | HOSE, WP70-12-2-550 | 1 | | |
| 23-2 | K3191004500 | TUBE, SPIRAL SP-15 450 | 1 | | |
| 23-3 | K3009000092-Y | ADAPTER, PF1/2*PF1/2 | 1 | | |
| 23-4 | K0881018000 | O-RING, P18B | 1 | | |
| 23-5 | K3101330700 | HOSE, WP70-9-3-700 | 1 | | |
| 23-6 | K3191006000 | TUBE, SPIRAL SP-15 600 | 1 | | |
| 23-7 | K3009000142-Y | ADAPTER, PF3/8PF3/8 | 1 | | |
| 23-8 | K0881014000 | O-RING, P14B | 2 | | |
| 23-9 | K3321000070 | VALVE, HF80396-12 | 1 | | |
| 23-10 | YZ40078945 | SEAL KIT, SK10-2N-T/B | 1 | | |
| 23-11 | K3008000212-Y | ADAPTER, ODD SIZED 90 DEG FPD2576 | 1 | | |
| 23-12 | K0887009200 | O-RING, AS568-920 | 1 | | |
| 23-13 | K0003080902 | BOLT, M8-90 | 2 | | |
| 23-14 | K0200080002 | WASHER, SPRING M8 | 11 | | |
| 23-15 | K5073208202 | WASHER, SPHC 3.2-8-20 | 2 | | |
| 23-16 | K3008000032-Y | ELBOW, ADJUSTABLE 90 1086-9 | 1 | | |
| 23-17 | K0881029000 | O-RING, P29B | 1 | | |
| 23-18 | K3026425161-Y | NIPPLE, KLO 25-080E | 1 | | |
| 23-19 | GM2810-0805Z2-Y | PIPE, E | 1 | | |
| 23-20 | GM2810-0809Z2-Y | PIPE, I | 1 | | |
| 23-21 | K0200060002 | WASHER, SPRING M6 | 4 | | |
| 23-22 | K0100060002 | NUT, M6 | 4 | | |
| 23-23 | K0000100202 | BOLT, M10-20 | 2 | | |
| 23-24 | K0100080002 | NUT, M8 | 2 | | |
| 23-25 | K5000080002 | WASHER, M8 | 2 | | |
| 23-26 | K0000060152 | BOLT, M6-15 | 3 | | |
| 23-27 | K5000060002 | WASHER, M6 | 4 | | |
| 23-28 | K1520000030 | HOOK ASSY, RUBBER | 2 | | |
| 23-29 | K0000080152 | BOLT, M8-15 | 8 | | |
| 23-30 | GM2800-0807ZD | FIXTURE | 2 | | |

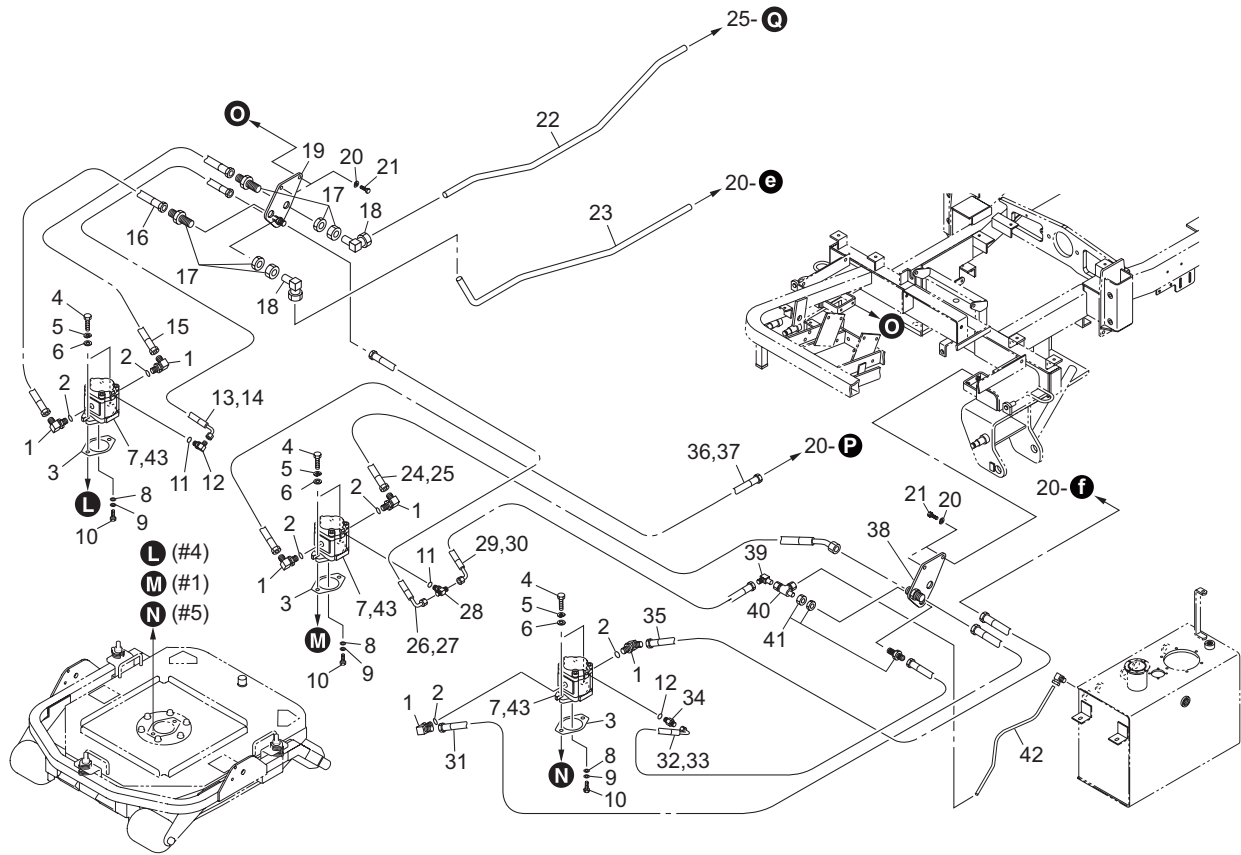


GM2810A_023_z00

| Cat No. | Code No. | Part name | Qty | Remark | SN of application |
|---------|---------------|-------------------------------|-----|--------|-------------------|
| 23-31 | K0144100002 | NUT, W/F-RING M10 | 2 | | |
| 23-32 | GM2800-0806ZD | PLATE, FULCRUM | 2 | | |
| 23-33 | GM2810-0818Z0 | OIL COOLER | 1 | | |
| 23-34 | K3008000602-Y | CONNECTOR, MALE 90 DEG 16-3/4 | 2 | | |
| 23-35 | K0000080352 | BOLT, M8-35 | 1 | | |
| 23-36 | K1170057000 | WIRE, HOOK 570 | 1 | | |
| 23-37 | K0144060002 | NUT, W/F-RING M6 | 1 | | |
| 23-38 | K0000060302 | BOLT, M6-30 | 1 | | |
| 23-39 | K4260000190 | CLAMP, HOSE JUBILEE BAND 1 | 2 | | |
| 23-40 | GM2800-0847Z0 | HOSE, BYPASS | 2 | | |
| 23-41 | K3026925161-Y | UNION, KUE 12-080E | 2 | | |
| | | | | | |
| | | | | | |
| | | | | | |
| | | | | | |

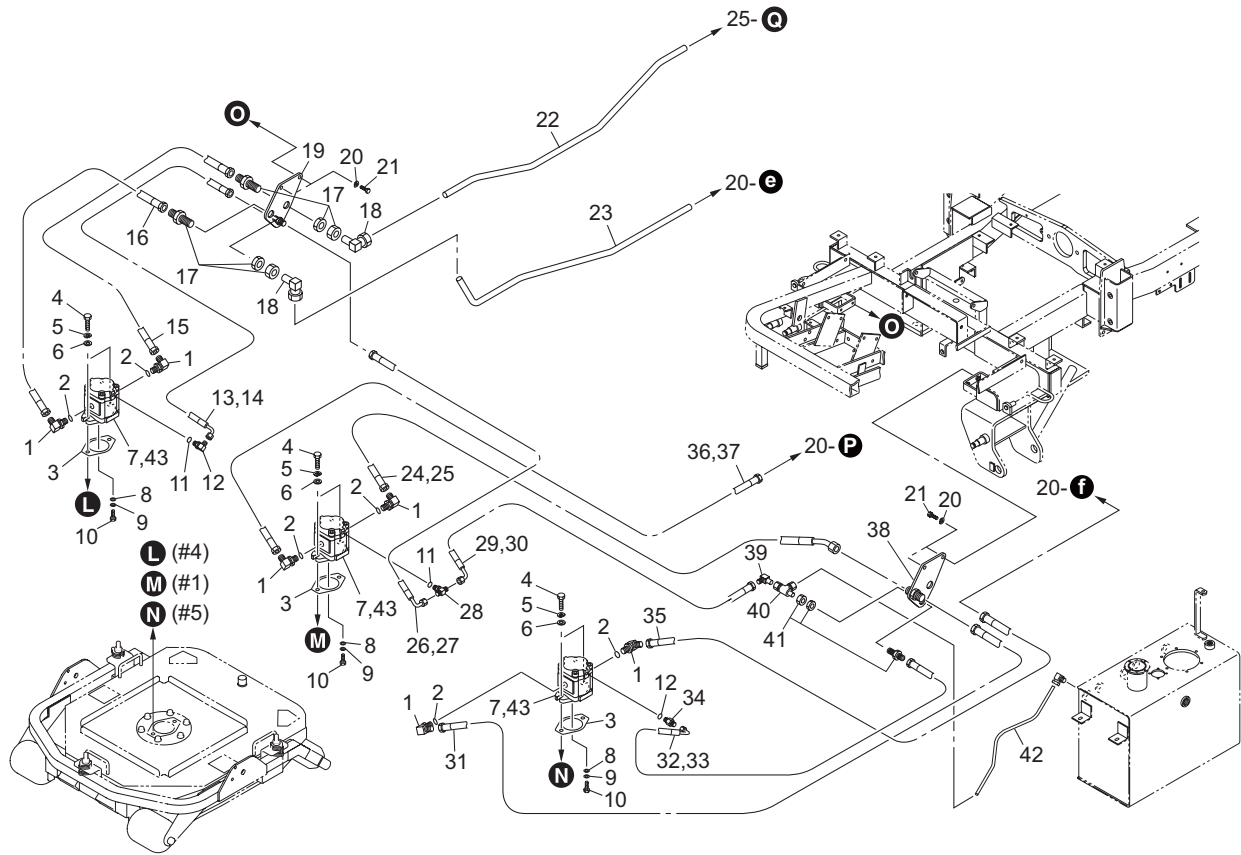
24. Hydraulic section F

GM2810A



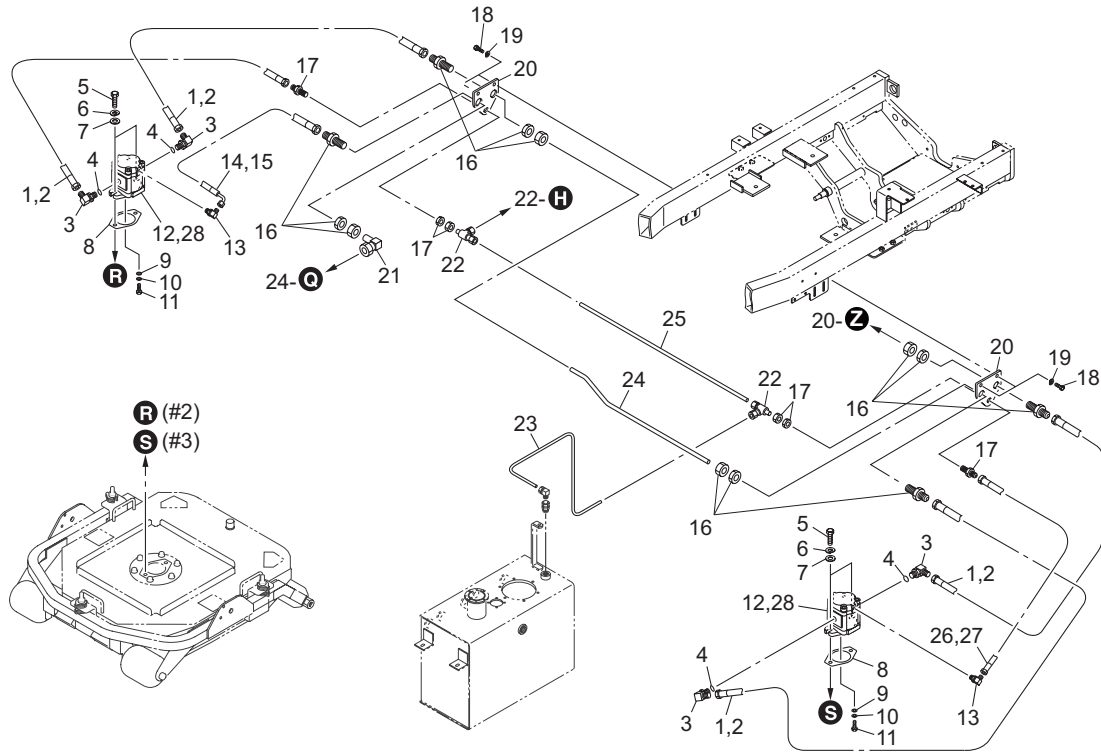
GM2810A_024_z00

| Cat No. | Code No. | Part name | Qty | Remark | SN of application |
|---------|-----------------|------------------------------|-----|--------|-------------------|
| 24-1 | K3008000042-Y | ELBOW, ADJUSTABLE 90 1086-12 | 6 | | |
| 24-2 | K0881018000 | O-RING, P18B | 6 | | |
| 24-3 | K4011000290 | PACKING, OIL-SHEET | 3 | | |
| 24-4 | K0008100302 | BOLT, SMALL M10-30 | 6 | | |
| 24-5 | K0200100002 | WASHER, SPRING M10 | 6 | | |
| 24-6 | K5000100002 | WASHER, M10 | 6 | | |
| 24-7 | K3282000050 | MOTOR, GEAR PLM20.20R | 3 | | |
| 24-8 | K5012306162 | WASHER, SPCC 2.3-6-16 | 3 | | |
| 24-9 | K0200060002 | WASHER, SPRING M6 | 3 | | |
| 24-10 | K0000060122 | BOLT, M6-12 | 3 | | |
| 24-11 | K0881011000 | O-RING, P11B | 2 | | |
| 24-12 | K3008000442-Y | ELBOW, ADJUSTABLE 90 1086-6 | 2 | | |
| 24-13 | K3101231650 | HOSE, WP70-6-3-1650 | 1 | | |
| 24-14 | K3190015500 | TUBE, SPIRAL SP-12 1550 | 1 | | |
| 24-15 | GM2800-0855Z0 | HOSE, WP140-12-1-1550 | 1 | | |
| 24-16 | GM2800-0857Z0 | HOSE, WP210-12-1-1650 | 1 | | |
| 24-17 | K3026916081-Y | UNION, KUE 16-040E | 2 | | |
| 24-18 | K3027116001-Y | ELBOW, KLC 16-000E | 2 | | |
| 24-19 | GM2800-0833A2-Y | PLATE, MOUNTING FITTING C | 1 | | |
| 24-20 | K0200080002 | WASHER, SPRING M8 | 4 | | |
| 24-21 | K0000080202 | BOLT, M8-20 | 4 | | |
| 24-22 | GM2810-0806Z2-Y | PIPE, F | 1 | | |
| 24-23 | GM2810-0807Z2-Y | PIPE, G | 1 | | |
| 24-24 | K3103420900 | HOSE, WP140-12-2-900 | 1 | | |
| 24-25 | K3191008000 | TUBE, SPIRAL SP-15 800 | 1 | | |
| 24-26 | K3101231150 | HOSE, WP70-6-3-1150 | 1 | | |
| 24-27 | K3190010500 | TUBE, SPIRAL SP-12 1050 | 1 | | |
| 24-28 | K3008000672-Y | ADAPTER, TEE W/O-RING 1087-6 | 1 | | |
| 24-29 | K3101230800 | HOSE, WP70-6-3-800 | 1 | | |
| 24-30 | K3190007000 | TUBE, SPIRAL SP-12 700 | 1 | | |



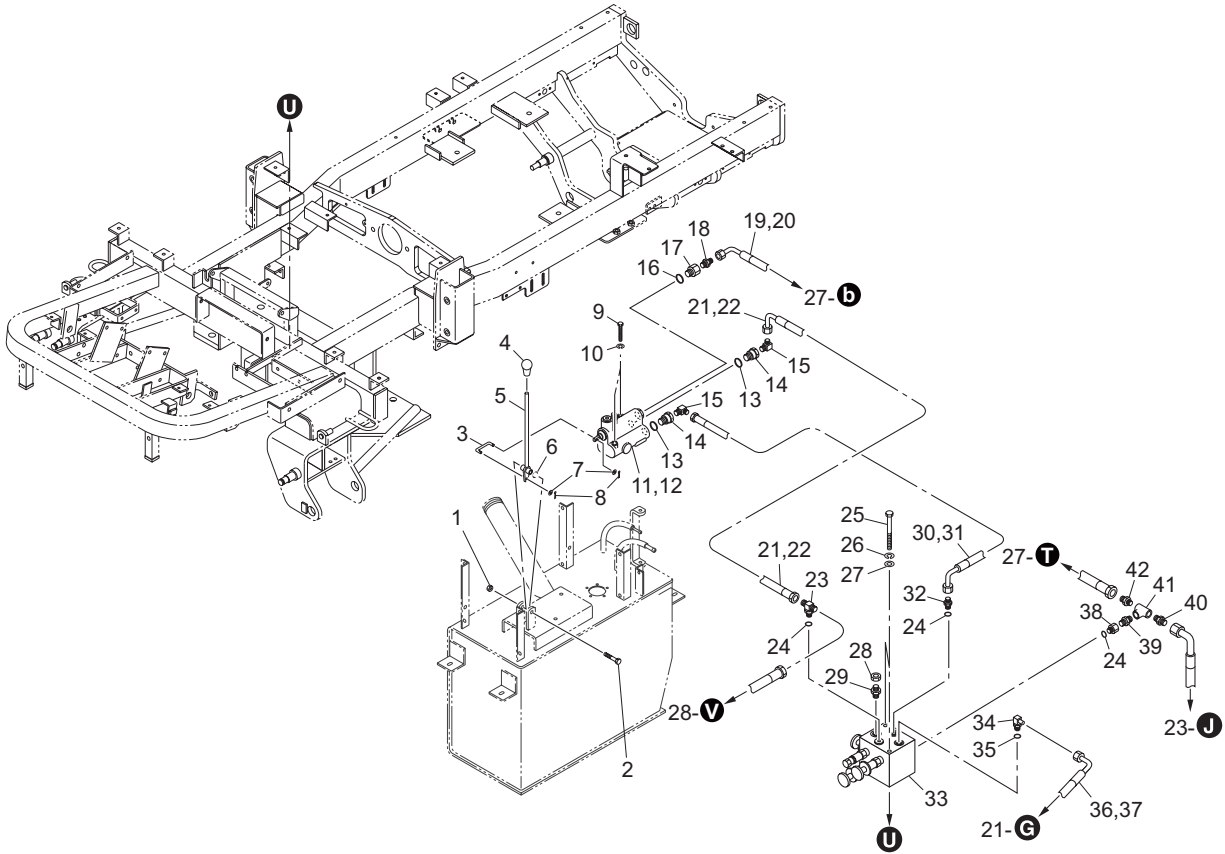
GM2810A_024_z00

| Cat No. | Code No. | Part name | Qty | Remark | SN of application |
|---------|-----------------|---------------------------------|-----|--------|-------------------|
| 24-31 | GM2800-0856Z0 | HOSE, WP140-12-1-1600 | 1 | | |
| 24-32 | K3101221520 | HOSE, WP70-6-2-1520 | 1 | | |
| 24-33 | K3190014500 | TUBE, SPIRAL SP-12 1450 | 1 | | |
| 24-34 | K3008000232-Y | CONNECTOR, W/O-RING PF1/4*PF1/4 | 1 | | |
| 24-35 | GM2800-0854Z0 | HOSE, WP210-12-1500 | 1 | | |
| 24-36 | K3105411150 | HOSE, WP210-12-1-1150 | 1 | | |
| 24-37 | K3191010500 | TUBE, SPIRAL SP-15 1050 | 1 | | |
| 24-38 | GM2800-0830A2-Y | PLATE, MOUNTING FITTING A | 1 | | |
| 24-39 | K3028510041-Y | ELBOW, FOR HOSE HLD 10-20E | 1 | | |
| 24-40 | K3027210001-Y | TEE, KTC 10-000E | 1 | | |
| 24-41 | K3026910041-Y | UNION, KUE 10-020E | 1 | | |
| 24-42 | LM3200-0815Z2-Y | PIPE, L | 1 | | |
| 24-43 | YCA62029243 | SEAL KIT, PLM20 | 3 | | |
| | | | | | |
| | | | | | |
| | | | | | |
| | | | | | |



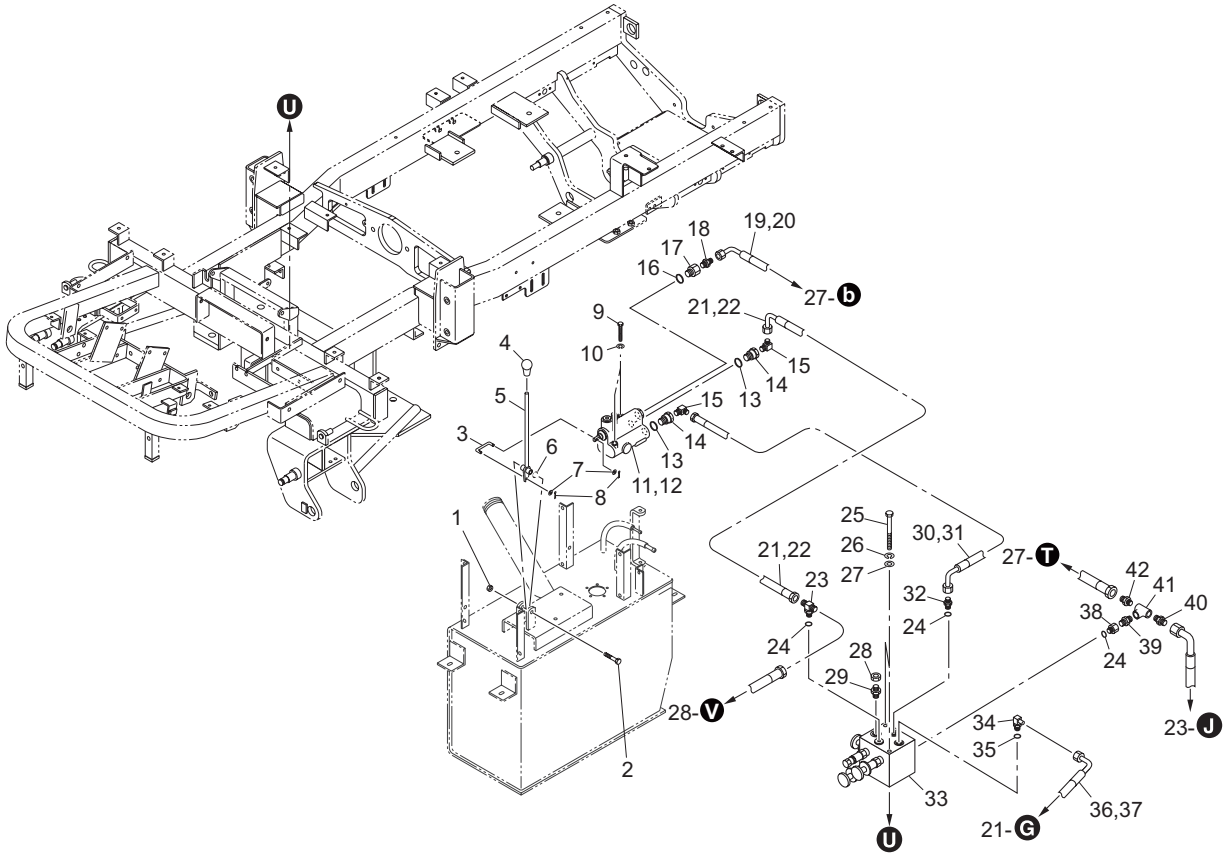
GM2810A_025_z00

| Cat No. | Code No. | Part name | Qty | Remark | SN of application |
|---------|-----------------|------------------------------|-----|--------|-------------------|
| 25-1 | K3103411250 | HOSE, WP140-12-1-1250 | 4 | | |
| 25-2 | K3191011500 | TUBE, SPIRAL SP-15 1150 | 4 | | |
| 25-3 | K3008000042-Y | ELBOW, ADJUSTABLE 90 1086-12 | 4 | | |
| 25-4 | K0881018000 | O-RING, P18B | 4 | | |
| 25-5 | K0008100302 | BOLT, SMALL M10-30 | 4 | | |
| 25-6 | K0200100002 | WASHER, SPRING M10 | 4 | | |
| 25-7 | K5000100002 | WASHER, M10 | 4 | | |
| 25-8 | K4011000290 | PACKING, OIL-SHEET | 2 | | |
| 25-9 | K5012306162 | WASHER, SPCC 2.3-6-16 | 2 | | |
| 25-10 | K0200060002 | WASHER, SPRING M6 | 2 | | |
| 25-11 | K0000060122 | BOLT, M6-12 | 2 | | |
| 25-12 | K3282000050 | MOTOR, GEAR PLM20.20R | 2 | | |
| 25-13 | K3008000044-Y | ELBOW, ADJUSTABLE 90 1086-6 | 2 | | |
| 25-14 | K3101231300 | HOSE, WP70-6-3-1300 | 1 | | |
| 25-15 | K3190012000 | TUBE, SPIRAL SP-12 1200 | 1 | | |
| 25-16 | K3026916081-Y | UNION, KUE 16-040E | 4 | | |
| 25-17 | K3026910041-Y | UNION, KUE 10-020E | 2 | | |
| 25-18 | K0000080202 | BOLT, M8-20 | 4 | | |
| 25-19 | K0200080002 | WASHER, SPRING M8 | 4 | | |
| 25-20 | GM2800-0831ZD | PLATE, FOR FIXTURE B | 2 | | |
| 25-21 | K3027116001-Y | ELBOW, KLC 16-000E | 1 | | |
| 25-22 | K3027210001-Y | TEE, KTC 10-000E | 2 | | |
| 25-23 | GM2800-0875Z2-Y | PIPE, N | 1 | | |
| 25-24 | GM2800-0823Z2-Y | PIPE, O | 1 | | |
| 25-25 | GM2800-0821Z2-Y | PIPE, M | 1 | | |
| 25-26 | K3101211100 | HOSE, WP70-6-1-1100 | 1 | | |
| 25-27 | K3190010000 | TUBE, SPIRAL SP-12 1000 | 1 | | |
| 25-28 | YCA62029243 | SEAL KIT, PLM20 | 2 | | |



GM2810A_026_z00

| Cat No. | Code No. | Part name | Qty | Remark | SN of application |
|---------|---------------|---------------------------------------|-----|--------|-------------------|
| 26-1 | K0144080002 | NUT, W/F-RING M8 | 1 | | |
| 26-2 | K0003080552 | BOLT, M8-55 | 1 | | |
| 26-3 | GM2800-0805Z2 | ROD | 1 | | |
| 26-4 | K1300000040 | GRIP, RUBBER BLACK 9-35.5 | 1 | | |
| 26-5 | GM2800-0804A2 | LEVER, LIFTING | 1 | | |
| 26-6 | K5000080002 | WASHER, M8 | 1 | | |
| 26-7 | K5000050002 | WASHER, M5 | 2 | | |
| 26-8 | K0300016122 | PIN, COTTER M1.6-12 | 2 | | |
| 26-9 | K0000060452 | BOLT, M6-45 | 2 | | |
| 26-10 | K0200060002 | WASHER, SPRING M6 | 2 | | |
| 26-11 | K3321000030 | MANIFOLD, CONTROL VALVE | 1 | | |
| 26-12 | K3321000030-1 | REPAIR KIT, 31921-927 | 1 | | |
| 26-13 | K0887009080 | O-RING, AS568-908 | 2 | | |
| 26-14 | K3008000692-Y | CONNECTOR, W/O-RING 4043-8-8 | 2 | | |
| 26-15 | K3006000022-Y | ELBOW, ODD SIZED PT1/2*PF3/8 | 2 | | |
| 26-16 | K0887009060 | O-RING, AS568-906 | 1 | | |
| 26-17 | K3008000242-Y | ADAPTER, ODD SIZED 90 9/16-18UNFPT3/8 | 1 | | |
| 26-18 | K3007000062-Y | ADAPTER, ODD SIZED PT3/8*PF1/4 | 1 | | |
| 26-19 | K3103230700 | HOSE, WP140-6-3-700 | 1 | | |
| 26-20 | K3190006000 | TUBE, SPIRAL SP-12 600 | 1 | | |
| 26-21 | K3103330600 | HOSE, WP140-9-3-600 | 1 | | |
| 26-22 | K3191005000 | TUBE, SPIRAL SP-15 500 | 1 | | |
| 26-23 | K3008000682-Y | BOSS, W/O-RING 1087-9 | 1 | | |
| 26-24 | K0881014000 | O-RING, P14B | 3 | | |
| 26-25 | K0003101202 | BOLT, M10-120 | 2 | | |
| 26-26 | K0200100002 | WASHER, SPRING M10 | 2 | | |
| 26-27 | K5000100002 | WASHER, M10 | 2 | | |
| 26-28 | K3008000482-Y | CAP, TAPPED FEMALE PF1/4 | 1 | | |
| 26-29 | K3008000232-Y | CONNECTOR, W/O-RING PF1/4*PF1/4 | 1 | | |
| 26-30 | K3103330400 | HOSE, WP140-9-3-400 | 1 | | |

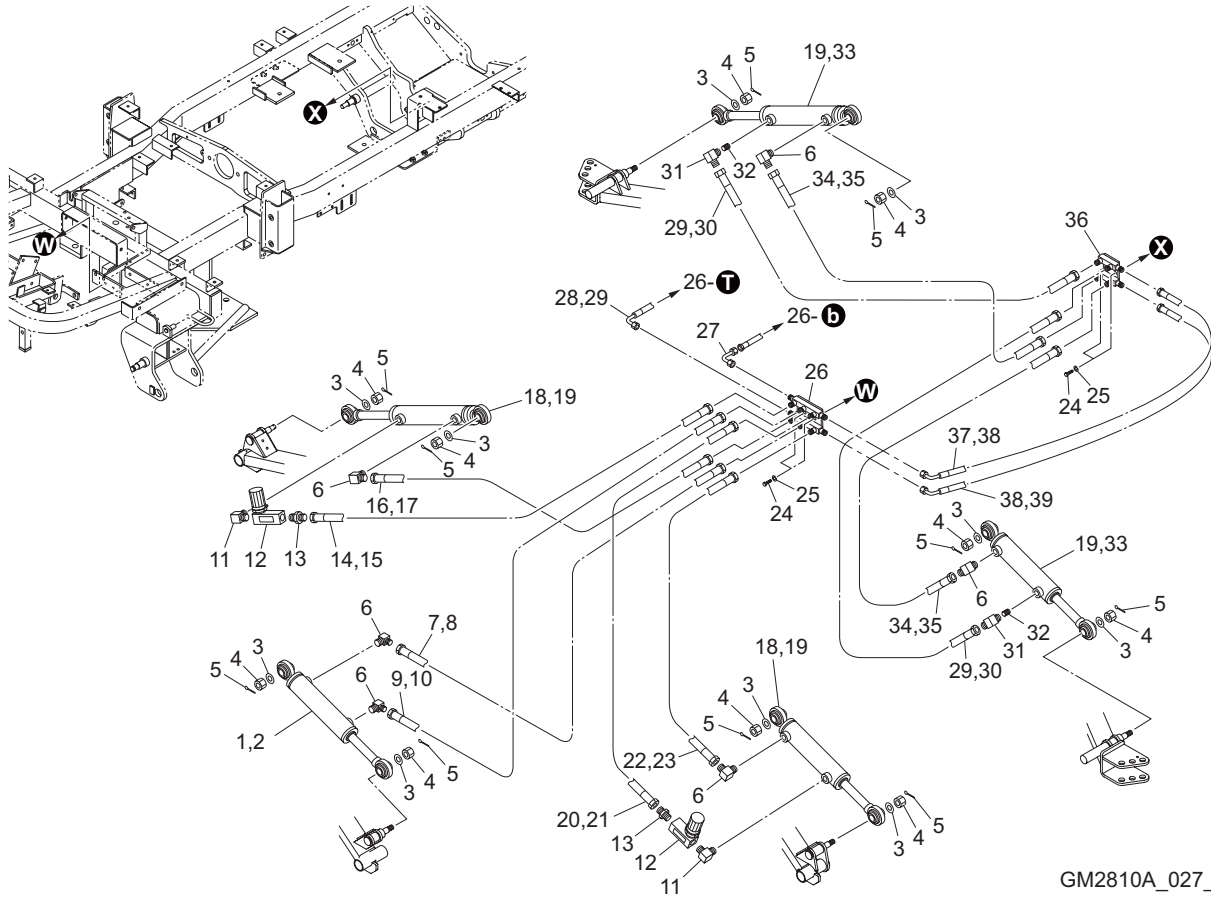


GM2810A_026_z00

| Cat No. | Code No. | Part name | Qty | Remark | SN of application |
|---------|---------------|---------------------------------|-----|--------|-------------------|
| 26-31 | K3191003000 | TUBE, SPIRAL SP-15 300 | 1 | | |
| 26-32 | K3009000142-Y | ADAPTER, PF3/8PF3/8 | 1 | | |
| 26-33 | K3313000670 | VALVE COMP, SOLENOID HF80397-12 | 1 | | |
| 26-34 | K3008000442-Y | ELBOW, ADJUSTABLE 90 1086-6 | 1 | | |
| 26-35 | K0881011000 | O-RING, P11B | 1 | | |
| 26-36 | K3106230400 | HOSE, WP245-6-3-400 | 1 | | |
| 26-37 | K3190003000 | TUBE, SPIRAL SP-12 300 | 1 | | |
| 26-38 | K3029000072-Y | BUSHING, PF3/8*PT3/8 | 1 | | |
| 26-39 | K3023060001-Y | NIPPLE, NS PT3/8 | 1 | | |
| 26-40 | K3000090002-Y | ADAPTER, 1013-9 | 1 | | |
| 26-41 | K3024000042-Y | JOINT, CAST IRON PT3/8*PF3/8 | 1 | | |
| 26-42 | K3009000042-Y | ADAPTER, PF1/4*PT3/8 | 1 | | |
| | | | | | |
| | | | | | |
| | | | | | |
| | | | | | |

27. Hydraulic section J

GM2810A

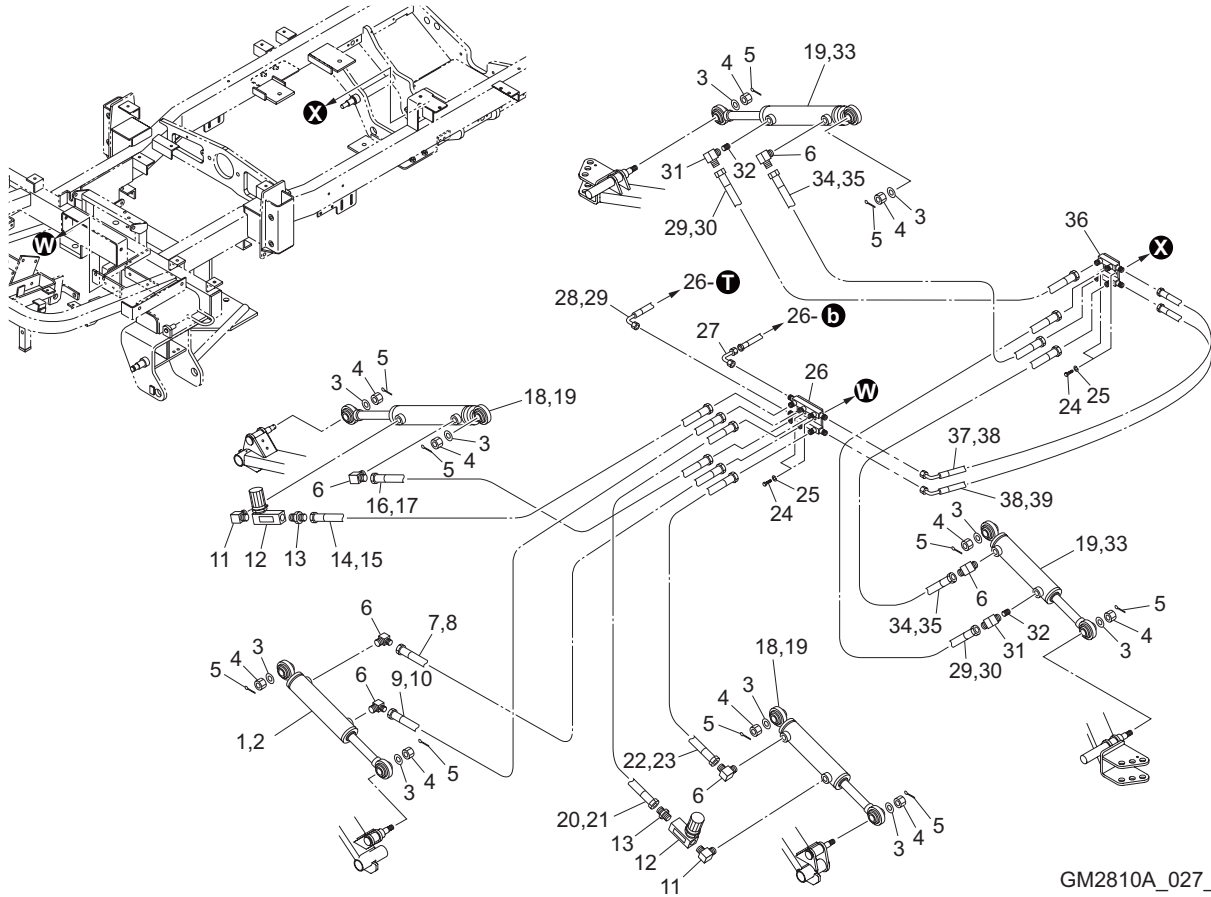


GM2810A_027_z00

| Cat No. | Code No. | Part name | Qty | Remark | SN of application |
|---------|-----------------|----------------------------|-----|----------------------|-------------------|
| 27-1 | K3213000150 | CYLINDER, 40-138 359 | 1 | for deck unit #1 | |
| 27-2 | YIS-40D-SK | SEAL KIT, CYLINDER | 1 | | |
| 27-3 | K0215160001 | WASHER, DISK SPRING 2H M16 | 10 | | |
| 27-4 | K0122160002 | NUT, HIGH SLOTTED P1.5 M16 | 10 | | |
| 27-5 | K0300032402 | PIN, COTTER M3.2-40 | 10 | | |
| 27-6 | K3001060002-Y | ELBOW, 90 1033-6 | 6 | | |
| 27-7 | K3101210600 | HOSE, WP70-6-1-600 | 1 | | |
| 27-8 | K3190005000 | TUBE, SPIRAL SP-12 500 | 1 | | |
| 27-9 | K3103210480 | HOSE, WP140-6-1-480 | 1 | | |
| 27-10 | K3190003800 | TUBE, SPIRAL SP-12 380 | 1 | | |
| 27-11 | K3006000042-Y | ELBOW, PT1/4 | 1 | | |
| 27-12 | K3332000050 | VALVE, SLOW RETURN HF02172 | 2 | | |
| 27-13 | K3000060002-Y | ADAPTER, 1013-6 | 2 | | |
| 27-14 | K3103211000 | HOSE, WP140-6-1-1000 | 1 | | |
| 27-15 | K3190008000 | TUBE, SPIRAL SP-12 800 | 1 | | |
| 27-16 | K3101210850 | HOSE, WP70-6-1-850 | 1 | | |
| 27-17 | K3190007500 | TUBE, SPIRAL SP-12 750 | 1 | | |
| 27-18 | K3213000170 | CYLINDER, 45-195 397 | 2 | for deck units #4,#5 | |
| 27-19 | YIS-45B-SK | SEAL KIT, CYLINDER | 4 | | |
| 27-20 | K3103210940 | HOSE, WP140-6-1-940 | 1 | | |
| 27-21 | K3190007400 | TUBE, SPIRAL SP-12 740 | 1 | | |
| 27-22 | K3101210750 | HOSE, WP70-6-1-750 | 1 | | |
| 27-23 | K3190006500 | TUBE, SPIRAL SP-12 650 | 1 | | |
| 27-24 | K0000080202 | BOLT, M8-20 | 4 | | |
| 27-25 | K0200080002 | WASHER, SPRING M8 | 4 | | |
| 27-26 | GM2800-0802Z2-Y | MANIFOLD | 1 | | |
| 27-27 | K3025069042-Y | ADAPTER, FOR PIPE 069-04 | 1 | | |
| 27-28 | K3101230500 | HOSE, WP70-6-3-500 | 1 | | |
| 27-29 | K3190004000 | TUBE, SPIRAL SP-12 400 | 3 | | |
| 27-30 | K3103210500 | HOSE, WP140-6-1-500 | 2 | | |

27. Hydraulic section J

GM2810A

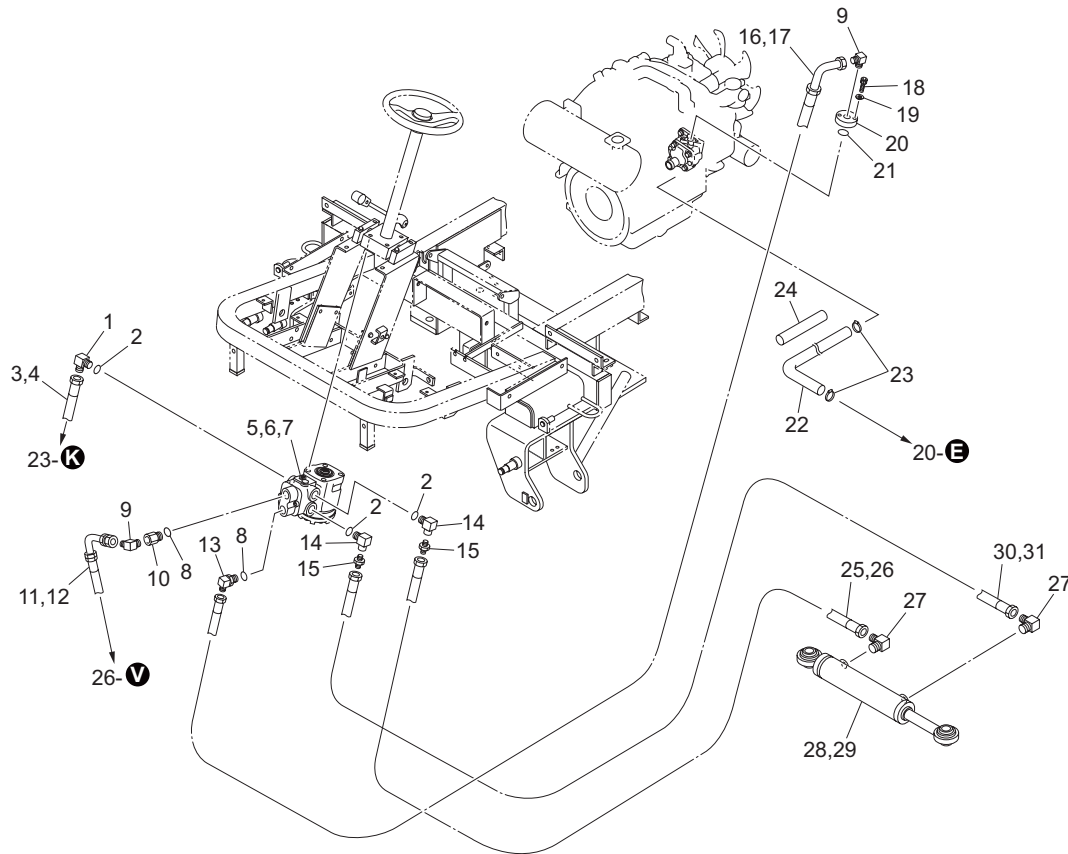


GM2810A_027_z00

| Cat No. | Code No. | Part name | Qty | Remark | SN of application |
|---------|-----------------|-------------------------|-----|----------------------|-------------------|
| 27-31 | K3029000252-Y | ELBOW, 90 DEG 1033-6M6 | 2 | | |
| 27-32 | K0023000011-Y | SETSCREW, M6-6-1 | 2 | | |
| 27-33 | K3213000160 | CYLINDER, 45-110 270 | 2 | for deck units #2,#3 | |
| 27-34 | K3101210400 | HOSE, WP70-6-1-400 | 2 | | |
| 27-35 | K3190003000 | TUBE, SPIRAL SP-12 300 | 2 | | |
| 27-36 | GM2800-0803Z2-Y | MANIFOLD | 1 | | |
| 27-37 | K3103222000 | HOSE, WP140-6-2-2000 | 1 | | |
| 27-38 | K3190019000 | TUBE, SPIRAL SP-12 1900 | 2 | | |
| 27-39 | K3101222000 | HOSE, WP70-6-2-2000 | 1 | | |
| | | | | | |
| | | | | | |
| | | | | | |
| | | | | | |
| | | | | | |

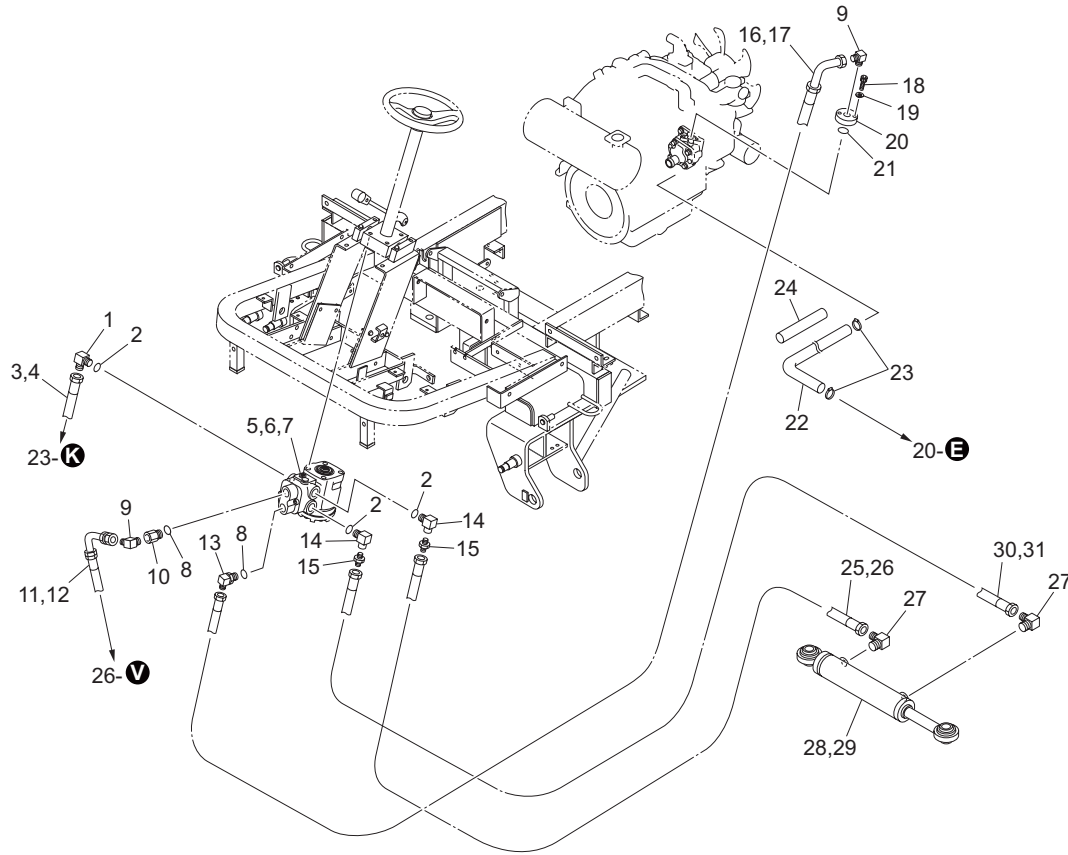
28. Hydraulic section K

GM2810A



GM2810A_028_z00

| Cat No. | Code No. | Part name | Qty | Remark | SN of application |
|---------|-----------------|--------------------------------------|-----|--------------|-------------------|
| 28-1 | K3008000032-Y | ELBOW, ADJUSTABLE 90 1086-9 | 1 | | |
| 28-2 | K0881014000 | O-RING, P14B | 3 | | |
| 28-3 | K3101311850 | HOSE, WP70-9-1-1850 | 1 | | |
| 28-4 | K3191017500 | TUBE, SPIRAL SP-15 1750 | 1 | | |
| 28-5 | K3294000120 | STEERING CNTL UNIT, ORBITROL LC-D1-E | 1 | | |
| 28-6 | YBA0271A | SEAL KIT, ORBITROL UA-B4-D | 1 | | |
| 28-7 | YBK0039A | SEAL KIT, ORBITROL LB-D1-A | 1 | | |
| 28-8 | K0881018000 | O-RING, P18B | 1 | | |
| 28-9 | K3001090002-Y | ELBOW, 90 1033-9 | 2 | | |
| 28-10 | K3029000042-Y | BUSHING, PF1/2*PT3/8 | 1 | | |
| 28-11 | K3103331150 | HOSE, WP140-9-3-1150 | 1 | | |
| 28-12 | K3191010500 | TUBE, SPIRAL SP-15 1050 | 1 | | |
| 28-13 | K3008000352-Y | ELBOW, 90 DEG. ODD SIZED PF3/8 PF1/2 | 1 | | |
| 28-14 | K3008000082-Y | ELBOW, ADJUSTABLE 90 DEG PF3/8PT1/4 | 2 | | |
| 28-15 | K3000060002-Y | ADAPTER, 1013-6 | 2 | | |
| 28-16 | K3103322330 | HOSE, WP140-9-2-2330 | 1 | | |
| 28-17 | K3191022300 | TUBE, SPIRAL SP-15 2230 | 1 | | |
| 28-18 | K0000080252 | BOLT, M8-25 | 2 | | |
| 28-19 | K0200080002 | WASHER, SPRING M8 | 2 | | |
| 28-20 | LM2700-0811Z2-Y | FLANGE, PUMP | 1 | | |
| 28-21 | K0881020000 | O-RING, P20B | 1 | | |
| 28-22 | K3149011050 | HOSE, S-25-1050 | 1 | | |
| 28-23 | K4260000190 | CLAMP, HOSE JUBILEE BAND 1 | 2 | | |
| 28-24 | K3172501200 | HOSE, VINYL 38*44-120 | 1 | | |
| 28-25 | K3103213300 | HOSE, WP140-6-1-3300 | 1 | | |
| 28-26 | K3190032000 | TUBE, SPIRAL SP-12 3200 | 1 | | |
| 28-27 | K3001060002-Y | ELBOW, 90 1033-6 | 2 | | |
| 28-28 | K3213000190 | CYLINDER, 40-187-393 | 1 | for steering | |
| 28-29 | YIS-40A-SK | SEAL KIT, CYLINDER | 1 | | |
| 28-30 | K3103213500 | HOSE, WP140-6-1-3500 | 1 | | |

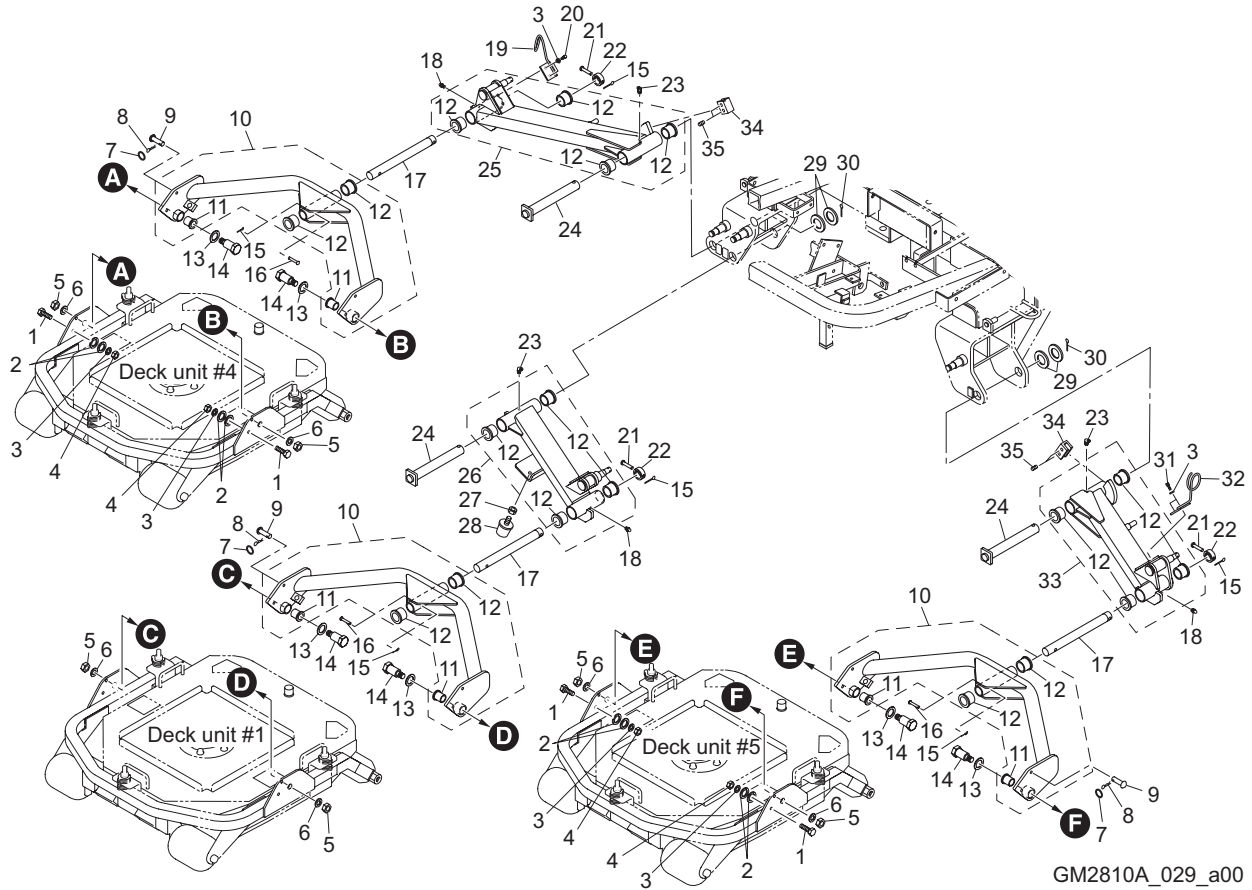


GM2810A_028_z00

| Cat No. | Code No. | Part name | Qty | Remark | SN of application |
|---------|-------------|-------------------------|-----|--------|-------------------|
| 28-31 | K3190034000 | TUBE, SPIRAL SP-12 3400 | 1 | | |
| | | | | | |
| | | | | | |
| | | | | | |
| | | | | | |
| | | | | | |
| | | | | | |
| | | | | | |
| | | | | | |

29. Lift arm front section

GM2810A

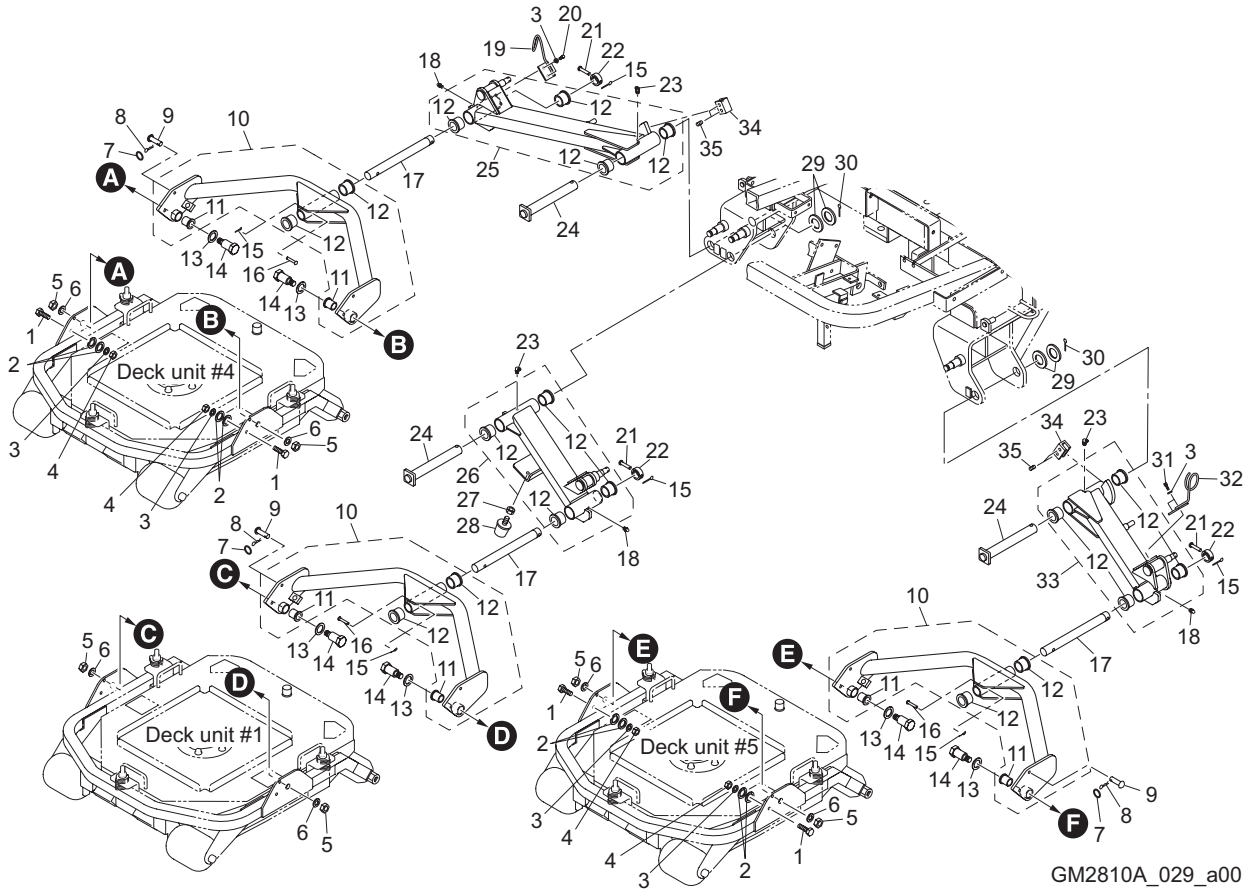


GM2810A_029_a00

| Cat No. | Code No. | Part name | Qty | Remark | SN of application |
|---------|---------------|--------------------------------|-----|--------|-------------------|
| 29-1 | K0010080202 | BOLT, HT M8-20 | 4 | | |
| 29-2 | K5073208322 | WASHER, SPHC 3.2-8-32 | 8 | | |
| 29-3 | K0200080002 | WASHER, SPRING M8 | 8 | | |
| 29-4 | K0100080002 | NUT, M8 | 4 | | |
| 29-5 | K0103140002 | NUT, P1.5 M14 | 6 | | |
| 29-6 | K0200140002 | WASHER, SPRING M14 | 6 | | |
| 29-7 | K0880016000 | O-RING, P16 | 3 | | |
| 29-8 | K0330800008 | PIN, SNAP M8 | 3 | | |
| 29-9 | K6041080258 | PIN, ROUND HEAD M8-25.6 | 3 | | |
| 29-10 | GM2800-0218AD | ARM, DECK | 3 | | |
| 29-11 | K6010000130 | BUSH, FLANGED 22-28-30 | 6 | | |
| 29-12 | K6010000140 | BUSH, FLANGED 30-38-30 | 18 | | |
| 29-13 | K5011022352 | WASHER, SPCC 1-22-35 | 6 | | |
| 29-14 | GM2800-0207Z2 | BOLT, STEPPED | 6 | | |
| 29-15 | K0341000002 | PIN, SNAP W/RETAINER M10 | 6 | | |
| 29-16 | K6041095548 | PIN, ROUND HEAD M9.5-54 | 3 | | |
| 29-17 | GM2800-0208Z0 | SHAFT | 3 | | |
| 29-18 | K1440000010 | GREASE NIPPLE, STRAIGHT TYPE A | 3 | | |
| 29-19 | LM2700-0232Z2 | GUIDE, HOSE B | 1 | | |
| 29-20 | K0000080252 | BOLT, M8-25 | 2 | | |
| 29-21 | GM2800-0210Z8 | PIN, HT FLAT HEAD 9.6-54.5 | 3 | | |
| 29-22 | K6215000362 | COLLAR, STKM W/HOLE M30-42-16 | 3 | | |
| 29-23 | K1440000020 | GREASE NIPPLE, 90 DEG TYPE C | 3 | | |
| 29-24 | K7147000232 | PIN, W/HOLE M30-197 | 3 | | |
| 29-25 | GM2800-0205ZD | ARM, LIFTING #4 MOWER | 1 | | |
| 29-26 | GM2800-0202ZD | ARM, LIFTING #1 MOWER | 1 | | |
| 29-27 | K0100100002 | NUT, M10 | 1 | | |
| 29-28 | K4049050000 | STOPPER, RUBBER KI-50 | 1 | | |
| 29-29 | K5012330452 | WASHER, SPCC 2.3-30-45 | 6 | | |
| 29-30 | K0300040502 | PIN, COTTER M4-50 | 3 | | |

29. Lift arm front section

GM2810A

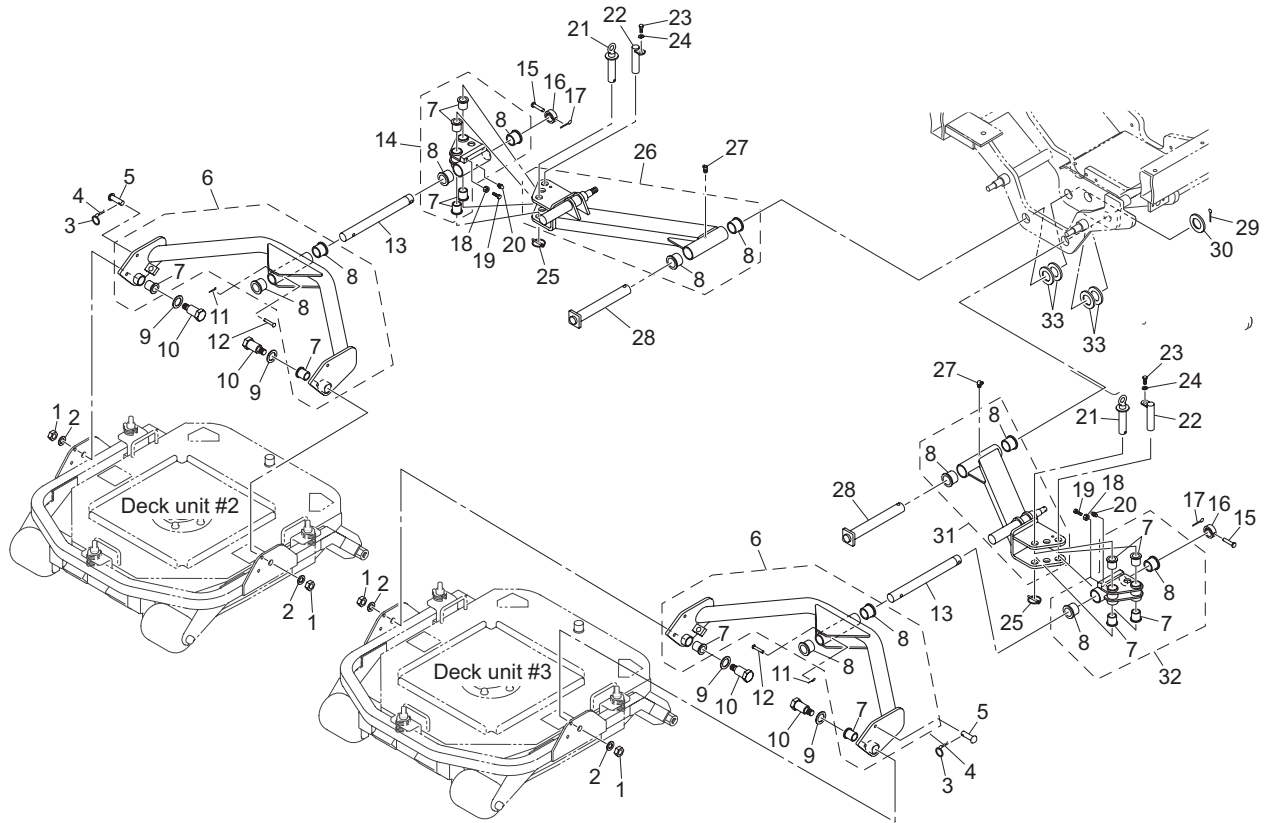


GM2810A_029_a00

| Cat No. | Code No. | Part name | Qty | Remark | SN of application |
|---------|---------------|-----------------------|-----|--------|-------------------|
| 29-31 | K0000080202 | BOLT, M8-20 | 2 | | |
| 29-32 | LM2700-0234Z2 | GUIDE, HOSE D | 1 | | |
| 29-33 | GM2800-0206ZD | ARM, LIFTING #5 MOWER | 1 | | |
| 29a-34 | GM2800-0215Z2 | STOPPER, MOWER | 2 | | |
| 29a-35 | K0028060100 | SETSCREW, SUS M6-10 | 4 | | |
| | | | | | |
| | | | | | |
| | | | | | |
| | | | | | |
| | | | | | |
| | | | | | |

30. Lift arm rear section

GM2810A

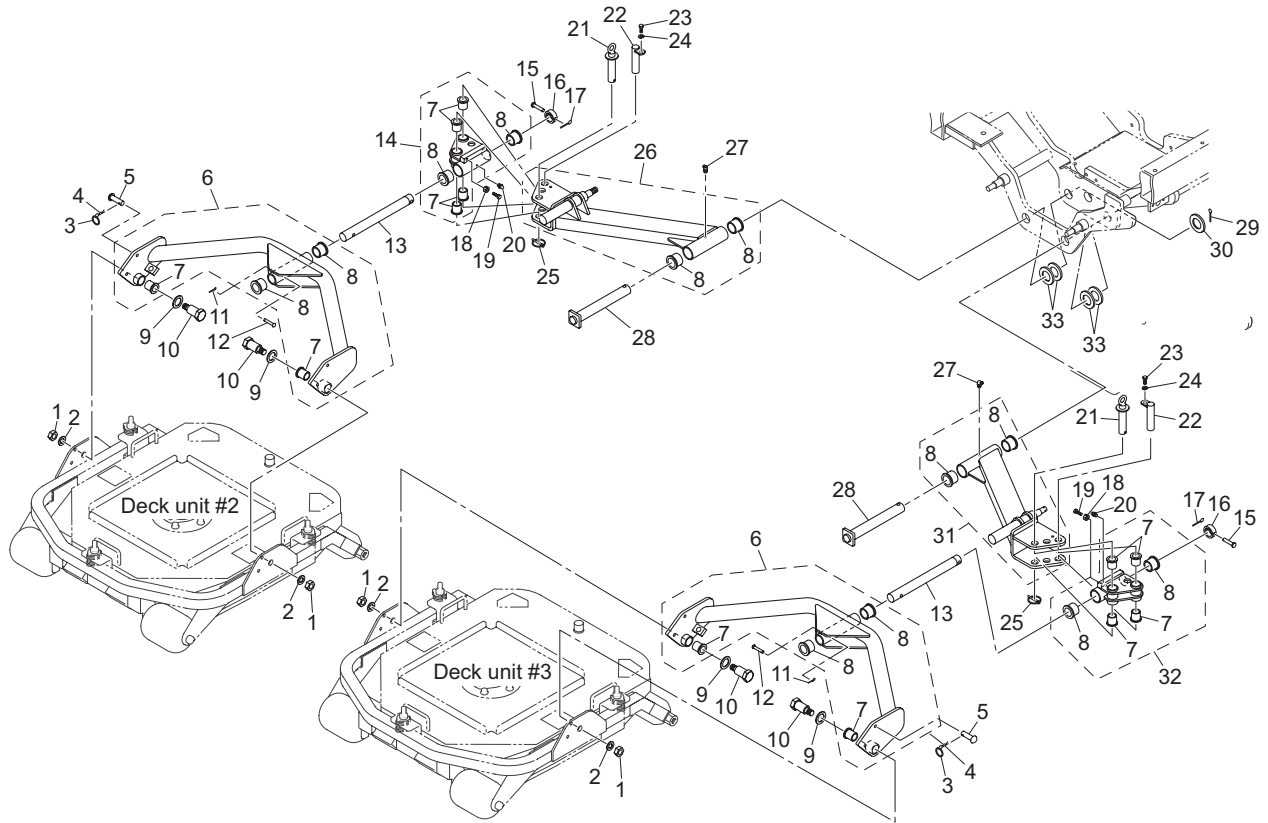


GM2810A_030_z00

| Cat No. | Code No. | Part name | Qty | Remark | SN of application |
|---------|---------------|--------------------------------|-----|--------|-------------------|
| 30 -1 | K0103140002 | NUT, P1.5 M14 | 4 | | |
| 30 -2 | K0200140002 | WASHER, SPRING M14 | 4 | | |
| 30 -3 | K0880016000 | O-RING, P16 | 2 | | |
| 30 -4 | K0330800008 | PIN, SNAP M8 | 2 | | |
| 30 -5 | K6041080258 | PIN, ROUND HEAD M8-25.6 | 2 | | |
| 30 -6 | GM2800-0218AD | ARM, DECK | 2 | | |
| 30 -7 | K6010000130 | BUSH, FLANGED 22-28-30 | 12 | | |
| 30 -8 | K6010000140 | BUSH, FLANGED 30-38-30 | 12 | | |
| 30 -9 | K5011022352 | WASHER, SPCC 1-22-35 | 4 | | |
| 30 -10 | GM2800-0207Z2 | BOLT, STEPPED | 4 | | |
| 30 -11 | K0341000002 | PIN, SNAP W/RETAINER M10 | 2 | | |
| 30 -12 | K6041095548 | PIN, ROUND HEAD M9.5-54 | 2 | | |
| 30 -13 | GM2800-0208Z0 | SHAFT | 2 | | |
| 30 -14 | GM2800-0212AD | JOINT, SLEWING MOWER #2 | 1 | | |
| 30 -15 | GM2800-0210Z8 | PIN, HT FLAT HEAD 9.6-54.5 | 2 | | |
| 30 -16 | K6215000362 | COLLAR, STKM W/HOLE M30-42-16 | 2 | | |
| 30 -17 | K0300025202 | PIN, COTTER M2.5-20 | 2 | | |
| 30 -18 | K0100080002 | NUT, M8 | 2 | | |
| 30 -19 | K0000080302 | BOLT, M8-30 | 2 | | |
| 30 -20 | K1440000010 | GREASE NIPPLE, STRAIGHT TYPE A | 2 | | |
| 30 -21 | K7147000292 | PIN, W/GRIP | 2 | | |
| 30 -22 | LM2700-0211B2 | SHAFT, SLEWING (REAR) | 2 | | |
| 30 -23 | K0000080202 | BOLT, M8-20 | 2 | | |
| 30 -24 | K0200080002 | WASHER, SPRING M8 | 2 | | |
| 30 -25 | K6061060002 | PIN, CLIP M6 | 2 | | |
| 30 -26 | GM2800-0203ZD | ARM, LIFTING #2 MOWER | 1 | | |
| 30 -27 | K1440000030 | GREASE NIPPLE, 90 DEG TYPE B | 2 | | |
| 30 -28 | K7147000232 | PIN, W/HOLE M30-197 | 2 | | |
| 30 -29 | K0300040502 | PIN, COTTER M4-50 | 2 | | |
| 30 -30 | K5011030422 | WASHER, SPCC 1-30-42 | 2 | | |

30. Lift arm rear section

GM2810A

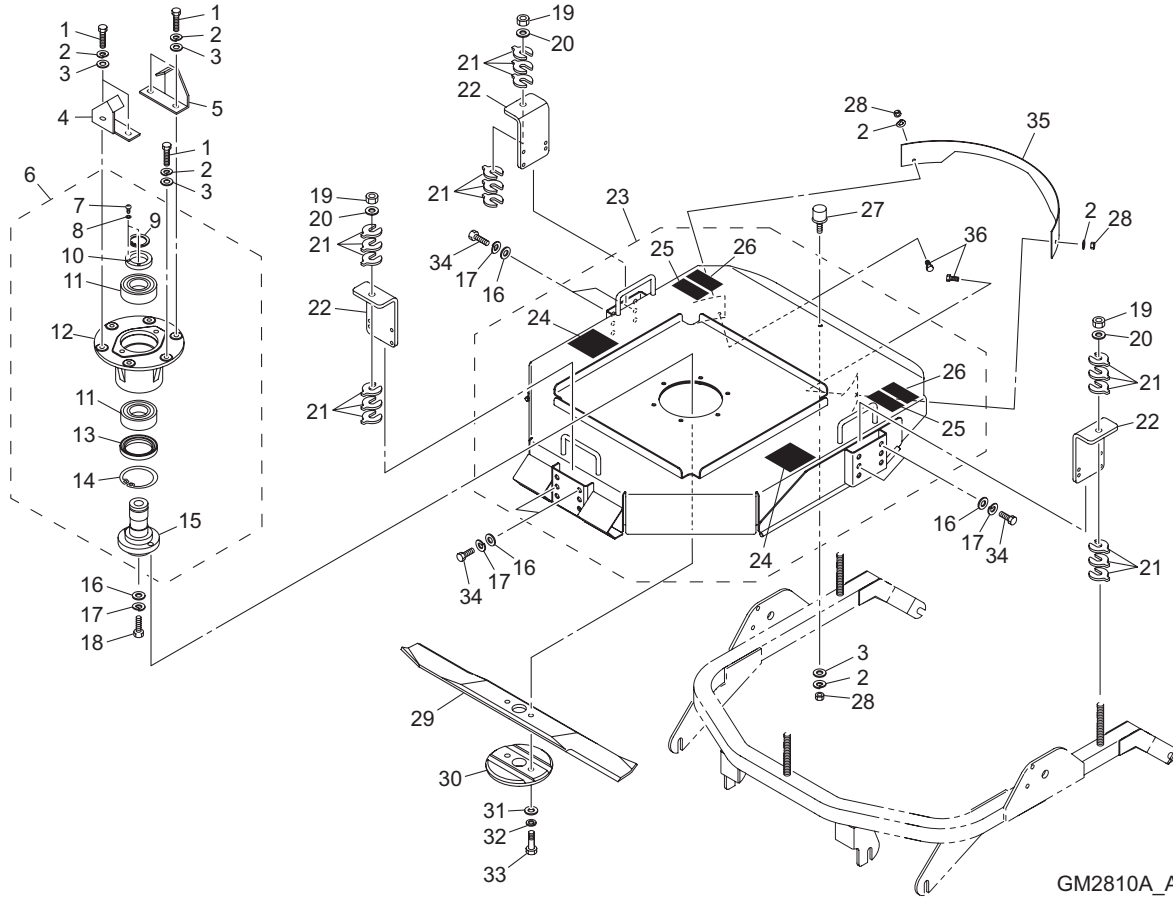


GM2810A_030_z00

| Cat No. | Code No. | Part name | Qty | Remark | SN of application |
|---------|---------------|-------------------------|-----|--------|-------------------|
| 30 -31 | GM2800-0204ZD | ARM, LIFTING #3 MOWER | 1 | | |
| 30 -32 | GM2800-0211AD | JOINT, SLEWING MOWER #3 | 1 | | |
| 30 -33 | K5051030420 | WASHER, C5191P 1-30-42 | 4 | | |
| | | | | | |
| | | | | | |
| | | | | | |
| | | | | | |
| | | | | | |
| | | | | | |

A31. Deck section A

GM2810A

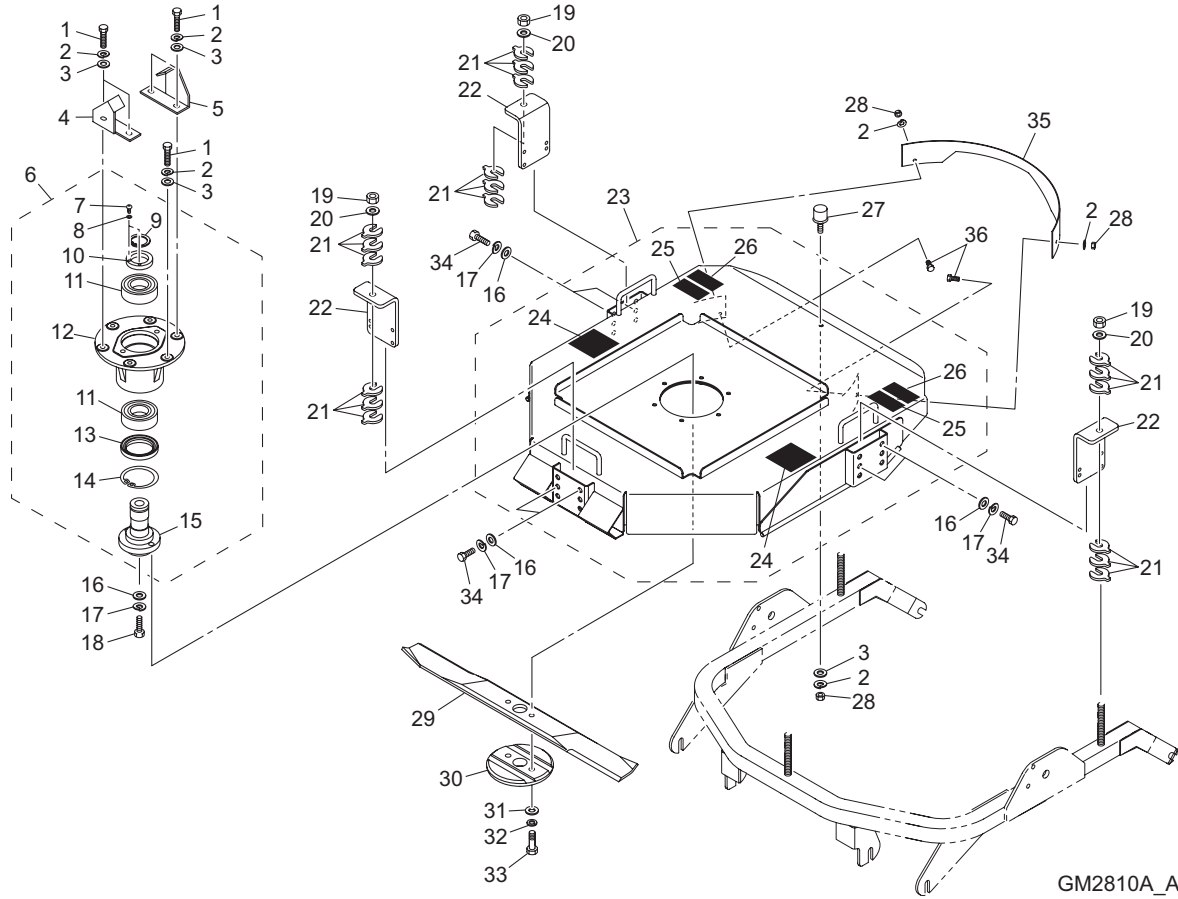


GM2810A_A31_z00

| Cat No. | Code No. | Part name | Qty | Remark | SN of application |
|---------|---------------|-----------------------------------|-----|-----------------------------------|-------------------|
| A31 -1 | K0000080402 | BOLT, M8-40 | 6 | | |
| A31 -2 | K0200080002 | WASHER, SPRING M8 | 9 | | |
| A31 -3 | K5000080002 | WASHER, M8 | 7 | | |
| A31 -4 | GM2810-0816Z2 | STOPPER, DECK #1 #2 #4 | 1 | for deck units #1,#2,#4 (US Type) | |
| A31 -5 | GM2810-0817Z2 | STOPPER, DECK #3 #5 | 1 | for deck units #3,#5 (US Type) | |
| A31 -6 | GM2800-0153Z0 | HOUSING Assy | 1 | | |
| A31 -7 | K0042030052 | SCREW, + ROUND HEAD M3-5 | 2 | | |
| A31 -8 | K0200030002 | WASHER, SPRING M3 | 2 | | |
| A31 -9 | K0401040001 | RING, RETAINING S M40 | 1 | | |
| A31 -10 | GM2800-0119Z0 | COLLAR, RETAINING | 1 | | |
| A31 -11 | K0612062080 | BEARING, BALL SEAL 2RD 6208 | 2 | | |
| A31 -12 | GM2800-0131Z2 | HOUSING | 1 | | |
| A31 -13 | K0826082120 | OIL SEAL, MHSA608212 | 1 | | |
| A31 -14 | K0402080001 | RING, RETAINING R M80 | 1 | | |
| A31 -15 | GM2800-0123Z0 | SHAFT | 1 | | |
| A31 -16 | K5000100002 | WASHER, M10 | 7 | | |
| A31 -17 | K0200100002 | WASHER, SPRING M10 | 7 | | |
| A31 -18 | K0000100202 | BOLT, M10-20 | 7 | | |
| A31 -19 | K0100140002 | NUT, M14 | 3 | | |
| A31 -20 | K0212140002 | WASHER, DISK SPRING 1L M14 | 3 | | |
| A31 -21 | GM2800-0110Z2 | COLLAR, ADJUSTING | 18 | | |
| A31 -22 | GM2800-0109ZR | PLATE, ADJUSTING CUTTING HEIGHT | 3 | | |
| A31 -23 | GM2810-0156Z0 | DECK COMP, ROTARY | 1 | US Type | |
| A31 -24 | K4205001600 | DECAL, CAUTION TO MUTILATION | 2 | | |
| A31 -25 | K4205001650 | DECAL, CAUTION TO FRYING OBJECT | 2 | | |
| A31 -26 | K4205001780 | DECAL, CAUTION CUTTING HANDS/FEET | 2 | | |
| A31 -27 | K4049040000 | RUBBER, STOPPER KI-40 | 1 | | |
| A31 -28 | K0100080002 | NUT, M8 | 3 | | |
| A31 -29 | K253000009B | BLADE, ROTARY 690 | 1 | | |
| A31 -30 | GM2800-0104Z0 | RETAINER, BLADE | 1 | | |

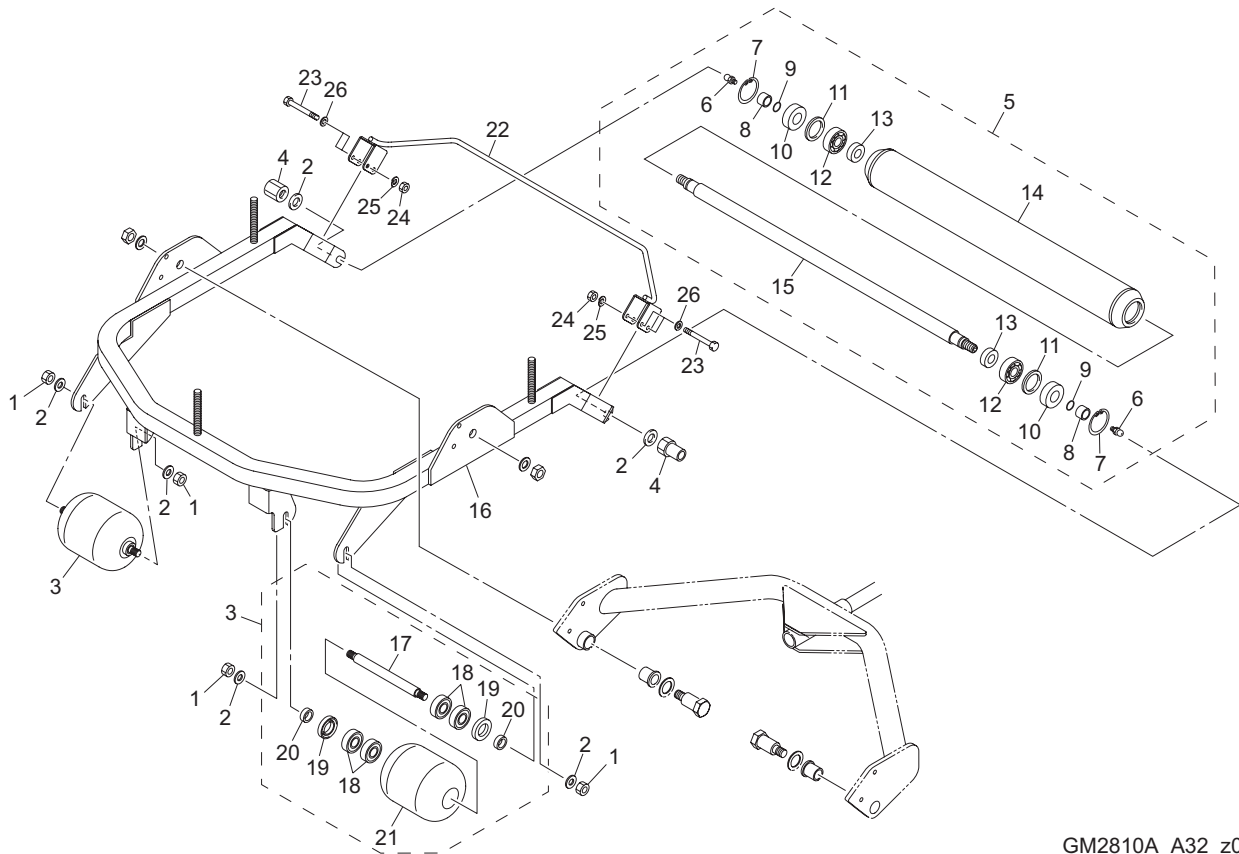
A31. Deck section A

GM2810A



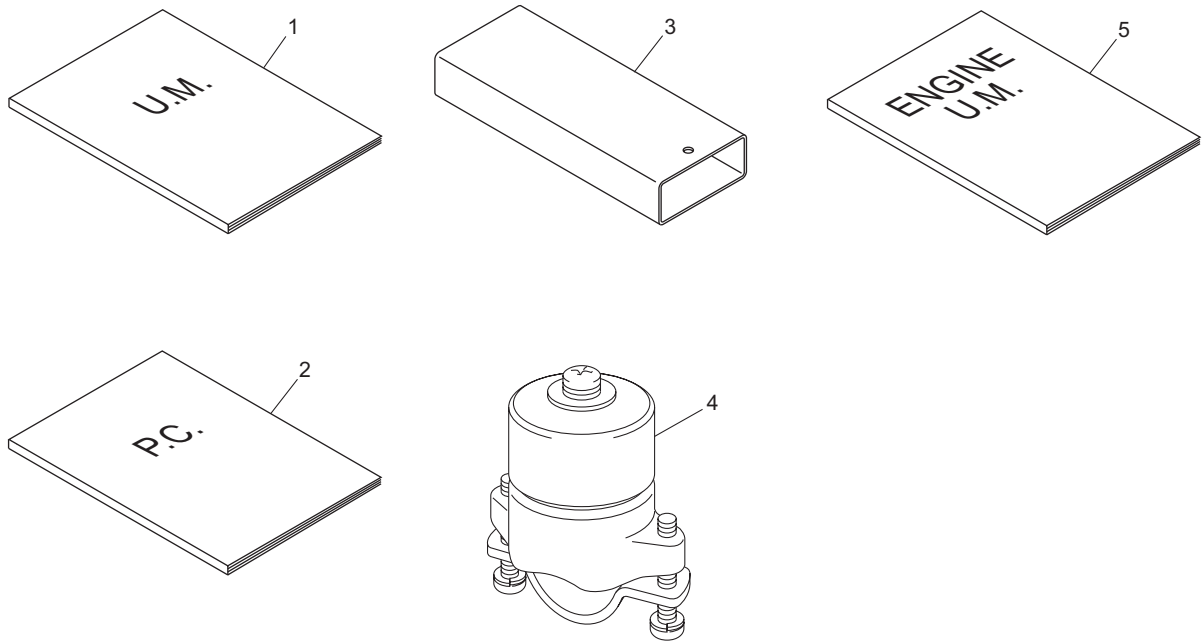
GM2810A_A31_z00

| Cat No. | Code No. | Part name | Qty | Remark | SN of application |
|---------|---------------|-----------------------|-----|--------|-------------------|
| A31 -31 | K5000120002 | WASHER, M12 | 2 | | |
| A31 -32 | K0200120002 | WASHER, SPRING M12 | 2 | | |
| A31 -33 | K0010120302 | BOLT, HT P1.75 M12-30 | 2 | | |
| A31 -34 | K0008100202 | BOLT, SMALL M10-20 | 6 | | |
| A31 -35 | GM2810-0117ZR | PLATE, SPHC INNER | 1 | | |
| A31 -36 | K0000080202 | BOLT, M8-20 | 2 | | |
| | | | | | |
| | | | | | |
| | | | | | |
| | | | | | |
| | | | | | |



GM2810A_A32_z00

| Cat No. | Code No. | Part name | Qty | Remark | SN of application |
|---------|---------------|--------------------------------|-----|---------|-------------------|
| A32 -1 | K0100140002 | NUT, M14 | 4 | | |
| A32 -2 | K0212140002 | WASHER, DISK SPRING 1L M14 | 6 | | |
| A32 -3 | GM2800-0140Z0 | ROLLER ASSY, FRONT | 2 | | |
| A32 -4 | K0160000618 | NUT, SPECIAL M14-27 | 2 | | |
| A32 -5 | GM2800-0116Z0 | ROLLER ASSY, REAR | 1 | | |
| A32 -6 | K1440000010 | GREASE NIPPLE, STRAIGHT TYPE A | 2 | | |
| A32 -7 | K0402047001 | RING, RETAINING R M47 | 2 | | |
| A32 -8 | K6219000580 | COLLAR, SUS M17-25-16 | 2 | | |
| A32 -9 | K0885015000 | O-RING, S15 | 2 | | |
| A32 -10 | K0822547080 | OIL SEAL, MHSA25478 | 2 | | |
| A32 -11 | K5090000802 | WASHER, SPHC 3.2-40-47 | 2 | | |
| A32 -12 | K0600063030 | BEARING, BALL 6303 | 2 | | |
| A32 -13 | K0822235080 | OIL SEAL, MHSA22358 | 2 | | |
| A32 -14 | GM2800-0112ZD | ROLLER 76.2-785.4 | 1 | | |
| A32 -15 | GM2800-0111Z0 | SHAFT, ROLLER 22-838.4 | 1 | | |
| A32 -16 | GM2800-0101ZR | FRAME, DECK | 1 | | |
| A32 -17 | GM2800-0133Z2 | AXIS, ARM | 2 | | |
| A32 -18 | K0612062040 | BEARING, BALL SEAL 2RD 6204 | 8 | | |
| A32 -19 | K0853052080 | OIL SEAL, PJN30528 | 4 | | |
| A32 -20 | GM2800-0134Z2 | COLLAR, STKM M20-30-17 | 4 | | |
| A32 -21 | GM2800-0132ZD | ROLLER, FRONT 127 C | 2 | | |
| A32 -22 | GM2810-0101ZR | BAR, PROTECTION | 1 | US Type | |
| A32 -23 | K0000080602 | BOLT, M8-60 | 4 | US Type | |
| A32 -24 | K0100080002 | NUT, M8 | 4 | US Type | |
| A32 -25 | K0200080002 | WASHER, SPRING M8 | 4 | US Type | |
| A32 -26 | K5000080002 | WASHER, M8 | 4 | US Type | |



GM2810A_033_z00

| Cat No. | Code No. | Part name | Qty | Remark | SN of application |
|---------|----------------|---------------------------------------|-----|--------|-------------------|
| 33a-1 | 750102-91-A | OWNERS OPERATING MANUAL, GM2810A (GB) | 1 | | |
| 33a-2 | 750102-91-B | PARTS CATALOG, GM2810A (GB) | 1 | | |
| 33 -3 | GM2800-1002ZD | PIPE, SQUARE | 1 | | |
| 33 -4 | K4802000050 | BALANCER ASSY, 32 | 1 | | |
| 33 -5 | PF1J334-8911-3 | OPERATING MANUAL, KUBOTA ENGINE | 1 | | |
| | | | | | |
| | | | | | |
| | | | | | |
| | | | | | |
| | | | | | |
| | | | | | |
| | | | | | |

MEMO

BARONESS[®]
Quality on Demand

 **KYOEISHA CO., LTD.**
Head Office 1-26, Miyuki-cho, Toyokawa-city, Tel :+81-533-84-1390
Aichi-pref, 442-8530 JAPAN Fax :+81-533-84-1220