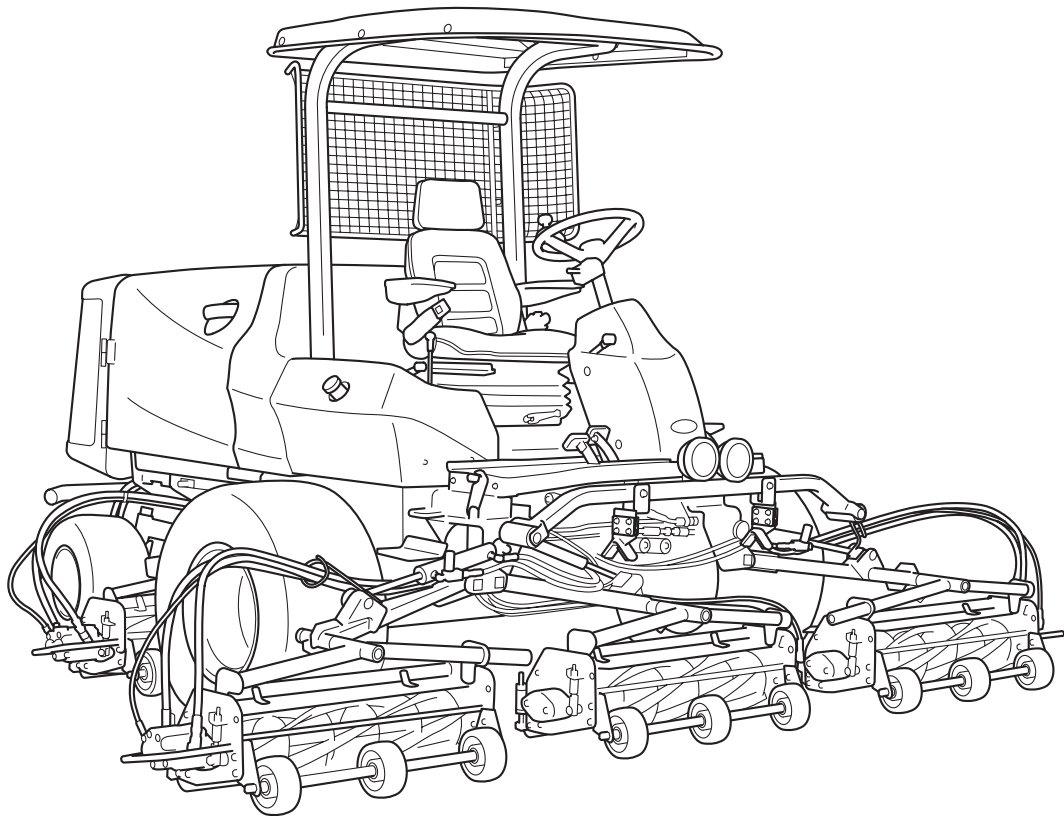


LM3210

5-Unit Reel Mower

Parts catalog



BARONESS[®]

Quality on Demand

Serial No.10022-

Ver.1.1

Greeting

Thank you for purchasing Baroness machine.

This machine has been shipped from the factory after comprehensive test runs and inspections. However, the optimum performance of the machine depends on how you use and maintain it, including routine inspections, adjustments, and fuel supplies before and after the operation.

We hope you will use the machine safely, and take advantage of its best performance.

Note

(For inquiry about this machine)

Since the type of machine may be changed sequentially, inform us of the type and the serial number.

The information described in this manual is subject to change without prior notice.

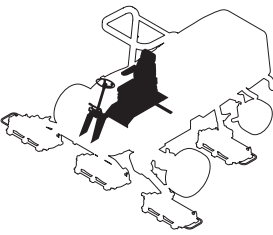
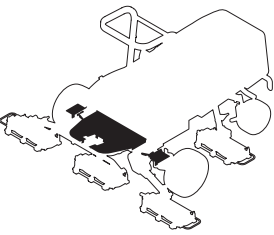
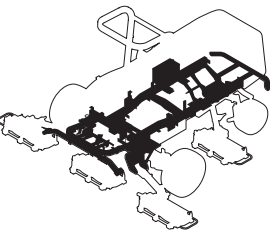
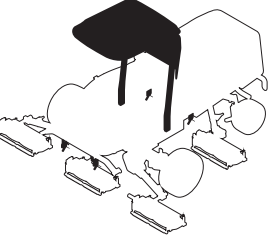
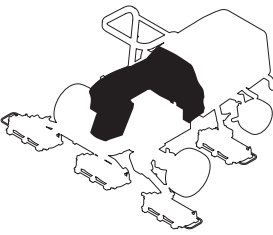
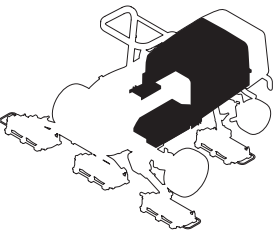
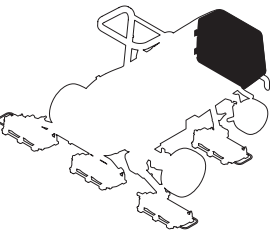
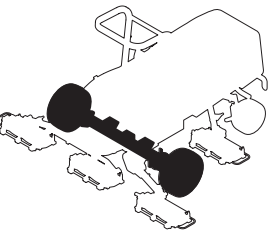
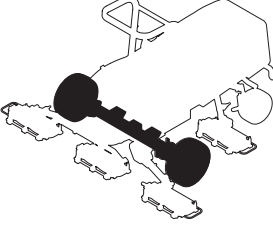
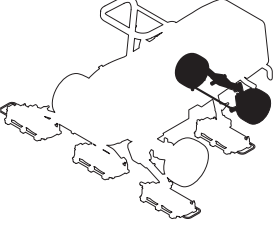
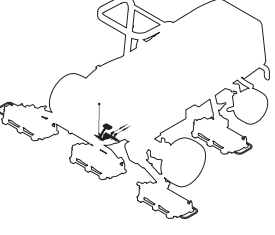
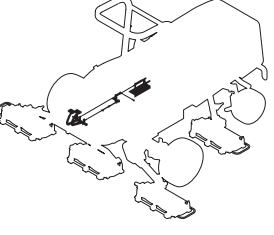
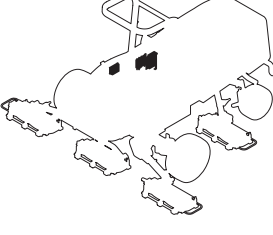

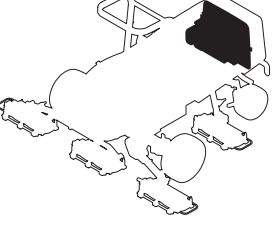
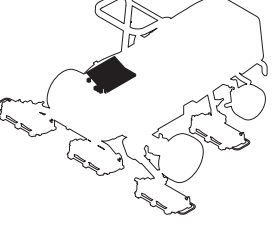
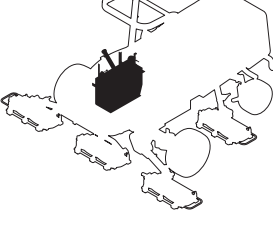
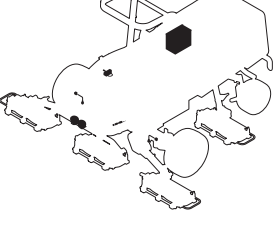
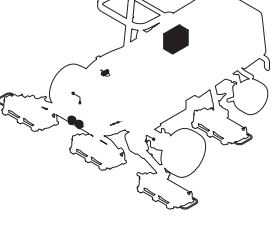

When replacing parts, be sure to use Baroness parts or parts designated by Kyo-eisha.


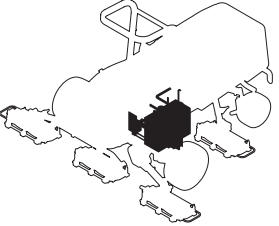
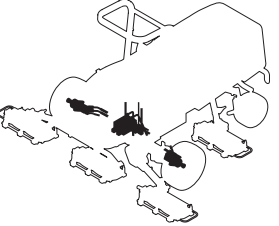

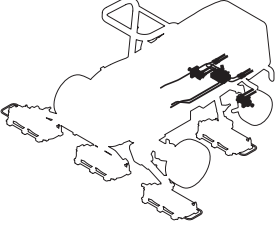
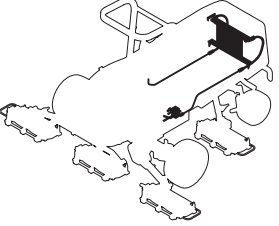
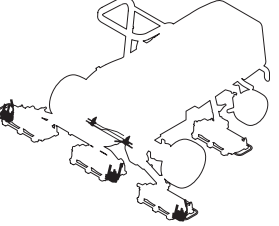

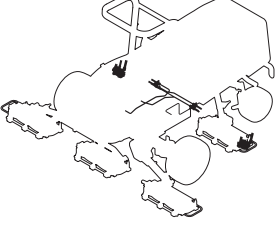
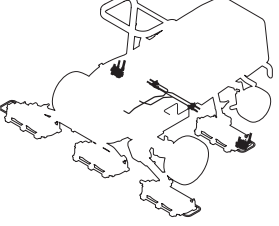
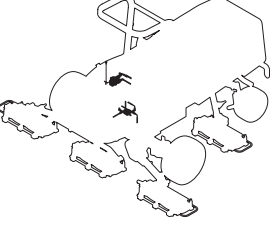

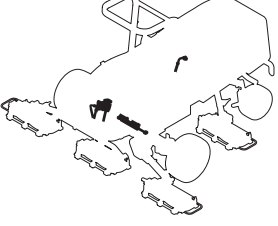
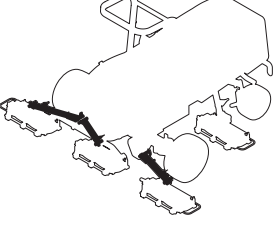
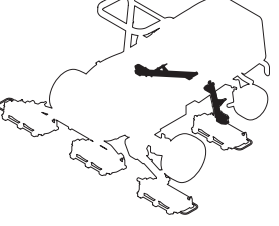
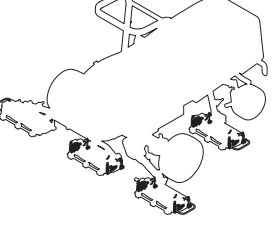
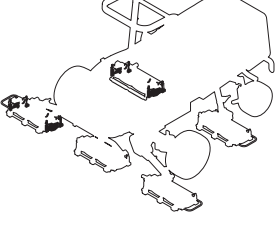
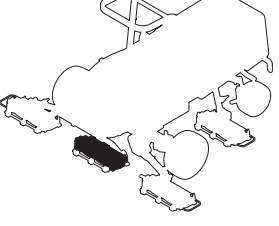

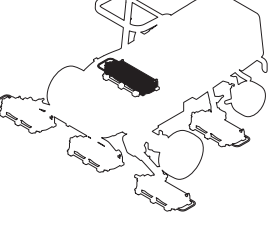
Note that the Baroness product warranty may not apply to defects caused by the use of parts from other companies.

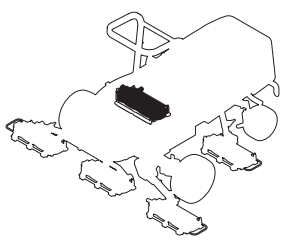
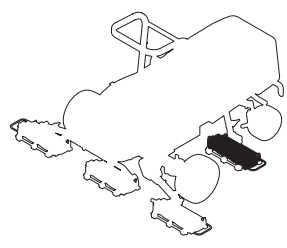
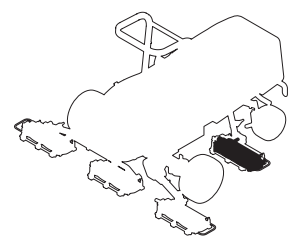
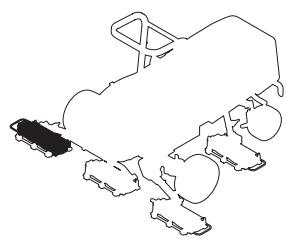
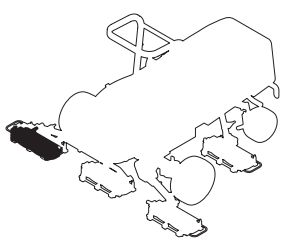
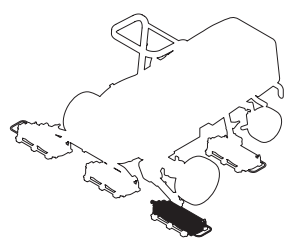
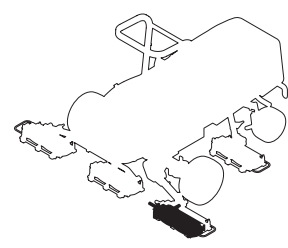
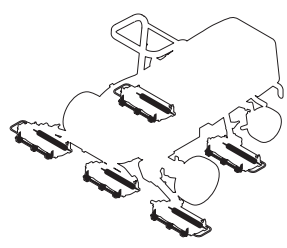
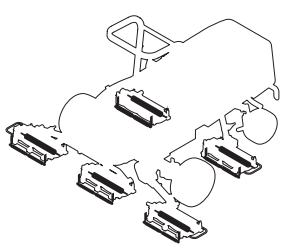
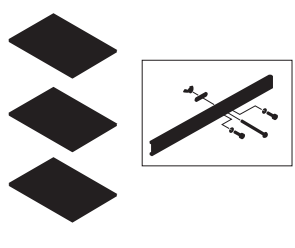
(For ordering parts)

For prevention of delivery of wrong parts, be sure to inform us of the code number and the part name.

| Example: | Code No. | Part Name | Qty |
|----------|---------------|--------------------|-----|
| | LM3210-1701Z0 | COVER COMP, TANK R | 1 |

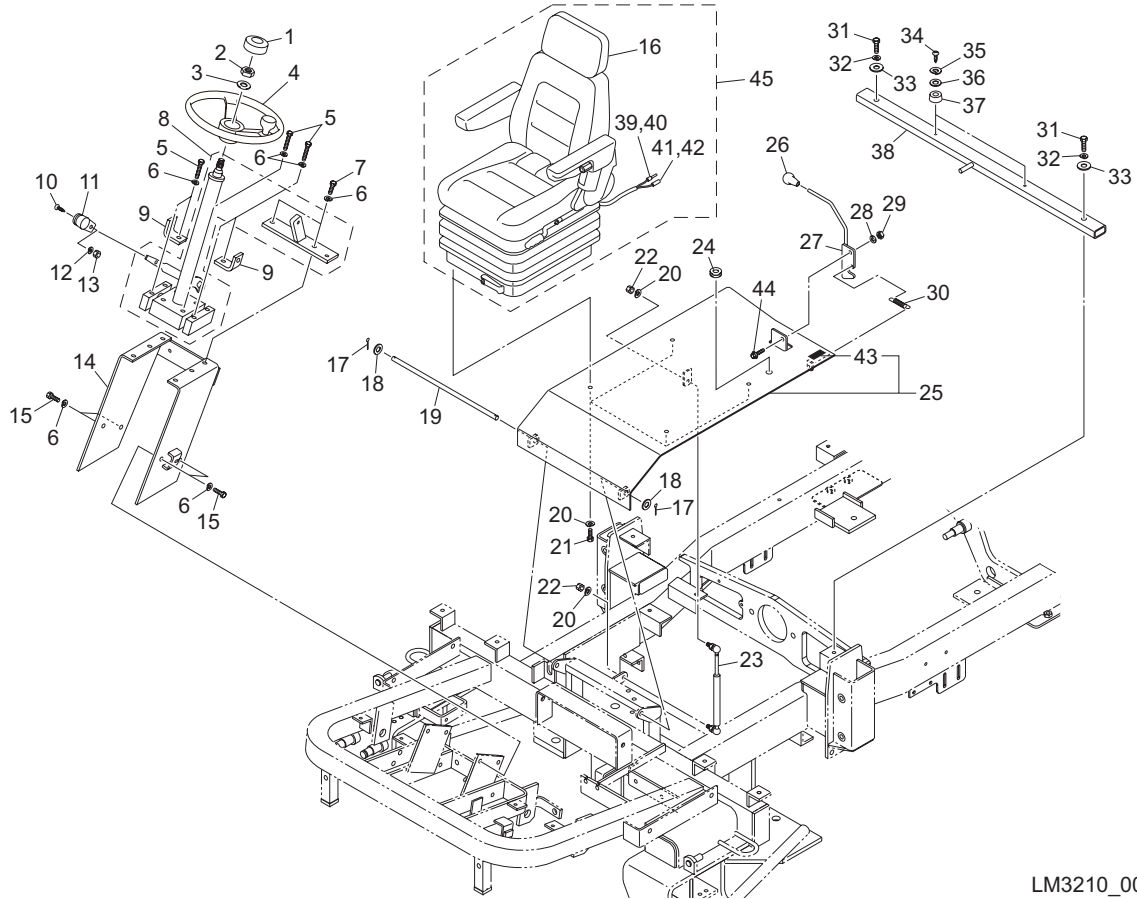
| | | | |
|---|---|--|---|
| <p>1.Frame section A P4</p>  | <p>2.Frame section B P6</p>  | <p>3.Frame section C P8</p>  | <p>4.Frame section D P10</p>  |
| <p>5.Cover section A P12</p>  | <p>6.Cover section B P13</p>  | <p>7.Cover section C P15</p>  | <p>8.Front wheel section (Type R) P16</p>  |
| <p>9.Front wheel section (Type F) P18</p>  | <p>10.Rear wheel section .. P20</p>  | <p>11.Pedal section A P22</p>  | <p>12.Pedal section B P24</p>  |
| <p>13.Engine section A P26</p>  | <p>14.Engine section B P28</p>  | <p>15.Engine section C P30</p>  | <p>16.Engine section D P32</p>  |
| <p>17.Engine section E P33</p>  | <p>18.Engine section F (Type R) P34</p>  | <p>19.Engine section F (Type F) P35</p>  | <p>20.Engine section G P36</p>  |

| | | | |
|--|--|--|--|
| <p>21.Hydraulic section A P37</p>  | <p>22.Hydraulic section B P39</p>  | <p>23.Hydraulic section C (Type R) P41</p>  | <p>24.Hydraulic section C (Type F) P43</p>  |
| <p>25.Hydraulic section D P45</p>  | <p>26.Hydraulic section E P47</p>  | <p>27.Hydraulic section F (Type R) P49</p>  | <p>28.Hydraulic section F (Type F) P51</p>  |
| <p>29.Hydraulic section G (Type R) P53</p>  | <p>30.Hydraulic section G (Type F) P54</p>  | <p>31.Hydraulic section H P55</p>  | <p>32.Hydraulic section J P57</p>  |
| <p>33.Hydraulic section K P59</p>  | <p>34.Lift arm section (#1,4,5) P61</p>  | <p>35.Lift arm section (#2,3) P62</p>  | <p>36.Mower section Ass'y (#1,3,5) P63</p>  |
| <p>37.Mower section Ass'y (#2,4) P65</p>  | <p>38.Mower section (#1) (Type R) P67</p>  | <p>39.Mower section (#1) (Type F) P68</p>  | <p>40.Mower section (#2) (Type R) P69</p>  |

| | | | |
|---|---|--|---|
| <p>41.Mower section (#2) (Type F) P70</p>  | <p>42.Mower section (#3) (Type R) P71</p>  | <p>43.Mower section (#3) (Type F) P72</p>  | <p>44.Mower section (#4) (Type R) P73</p>  |
| <p>45.Mower section (#4) (Type F) P74</p>  | <p>46.Mower section (#5) (Type R) P75</p>  | <p>47.Mower section (#5) (Type F) P76</p>  | <p>48.Mower caster wheel section (Type R) P77</p>  |
| <p>49.Roller Ass'y section (Type F) P78</p>  | <p>50.Accessory section ... P80</p>  | | |

1.Frame section A

LM3210

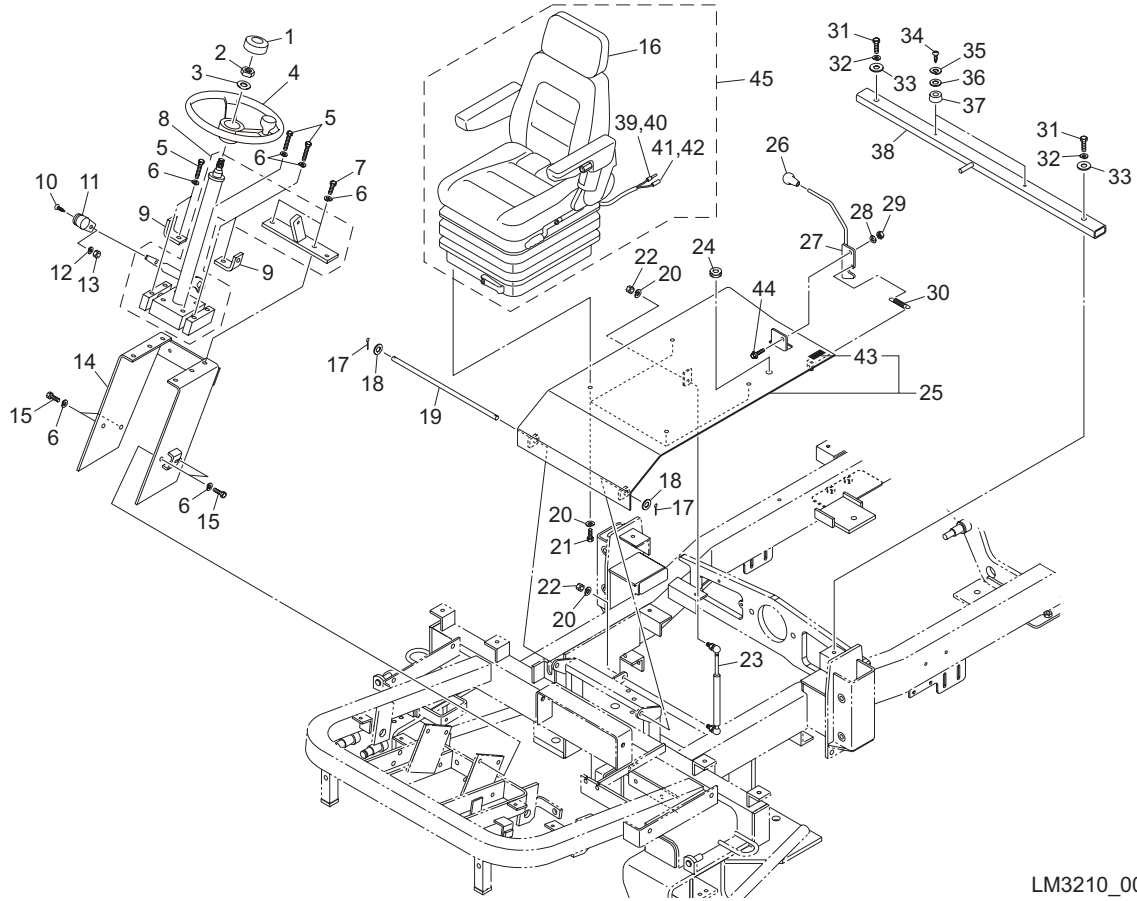


LM3210_001_z01

| Cat No. | Code No. | Part name | Qty | Remark | SN of application |
|---------|---------------|----------------------------------|-----|--------|-------------------|
| 1-1 | K1310000130 | CAP, RUBBER | 1 | | |
| 1-2 | K0103140002 | NUT, P1.5 M14 | 1 | | |
| 1-3 | K0200140002 | WASHER, SPRING M14 | 1 | | |
| 1-4 | K1710000070 | STEERING, WITH KNOB V027220-0000 | 1 | | |
| 1-5 | K0000100502 | BOLT, M10-50 | 8 | | |
| 1-6 | K0200100002 | WASHER, SPRING M10 | 14 | | |
| 1-7 | K0000100202 | BOLT, M10-20 | 2 | | |
| 1-8 | K1730000060 | COLUMN, STEERING TILT TYPE | 1 | | |
| 1-9 | LM2700-0931ZD | MOUNT, FRONT COVER | 2 | | |
| 1-10 | K0042050082 | SCREW, + ROUND HEAD M5-8 | 1 | | |
| 1-11 | K1301000150 | GRIP, PLASTIC THROTTLE LEVER | 1 | | |
| 1-12 | K0200050002 | WASHER, SPRING M5 | 1 | | |
| 1-13 | K0100050002 | NUT, M5 | 1 | | |
| 1-14 | LM2700-0602ZD | MOUNT, HANDLE | 1 | | |
| 1-15 | K0000100152 | BOLT, M10-15 | 4 | | |
| 1a-16 | K1700000250 | SEAT, DS85H/90 | 1 | | |
| 1-17 | K0300032252 | PIN, COTTER M3.2-25 | 2 | | |
| 1-18 | K5000120002 | WASHER, M12 | 2 | | |
| 1-19 | LM2700-0609Z2 | SHAFT, WITH HOLES M12-333 | 1 | | |
| 1-20 | K0200080002 | WASHER, SPRING M8 | 6 | | |
| 1-21 | K0000080202 | BOLT, M8-20 | 4 | | |
| 1-22 | K0100080002 | NUT, M8 | 2 | | |
| 1-23 | K3381000010 | GAS-SPRING, C25 | 1 | | |
| 1-24 | K0910000020 | GROMMET, C30NG79H | 1 | | |
| 1-25 | GM2810-3601Z0 | BRACKET ASSY, SEAT | 1 | | |
| 1-26 | K1300000040 | GRIP, RUBBER BLACK 9-35.5 | 1 | | |
| 1-27 | LM2700-0607ZD | LEVER | 1 | | |
| 1-28 | K5000100002 | WASHER, M10 | 1 | | |
| 1-29 | K0144100002 | NUT, WITH F-RING, M10 | 1 | | |
| 1-30 | K1030000098 | SPRING, WITH U HOOK M1.6-12-66.8 | 1 | | |

1.Frame section A

LM3210

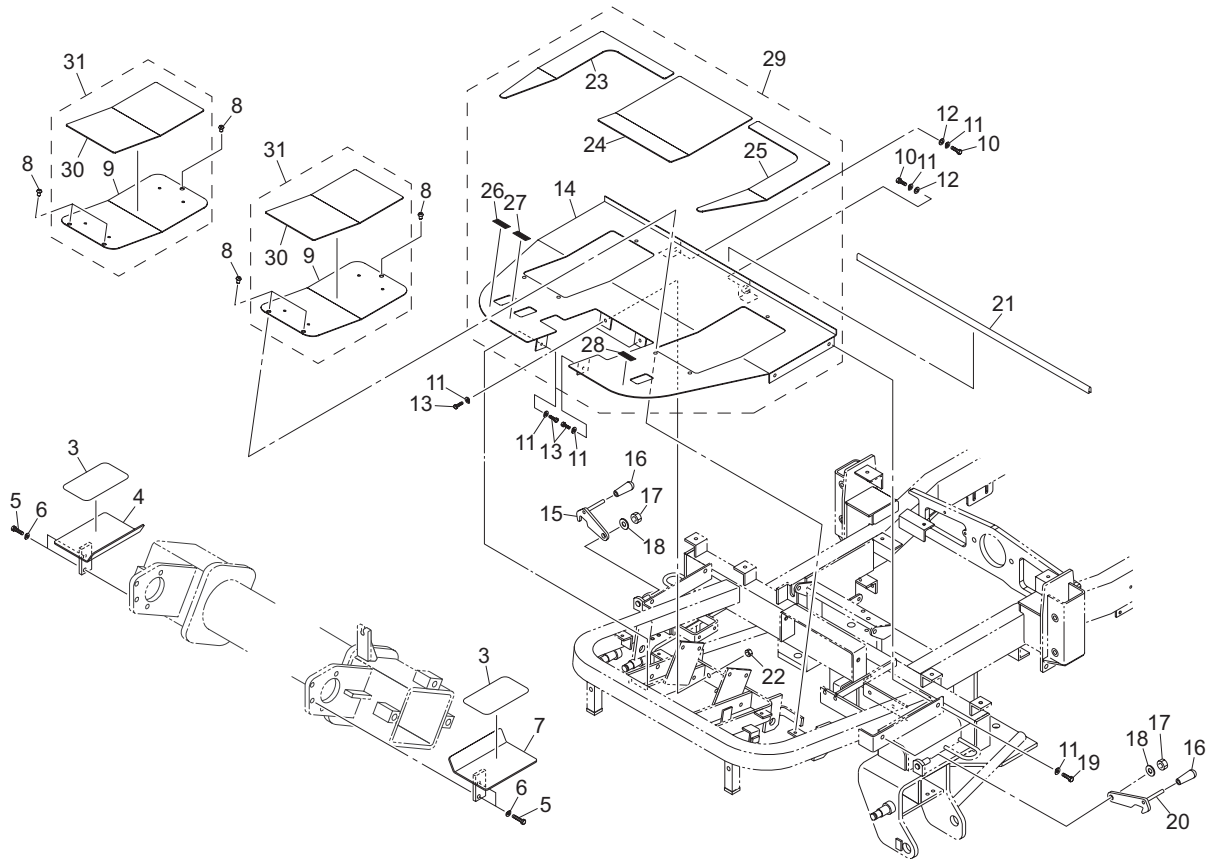


LM3210_001_z01

| Cat No. | Code No. | Part name | Qty | Remark | SN of application |
|---------|---------------|---------------------------------------|-----|--------|-------------------|
| 1-31 | K0000100402 | BOLT, M10-40 | 2 | | |
| 1-32 | K0200100002 | WASHER, SPRING M10 | 2 | | |
| 1-33 | K5073210352 | WASHER, SPHC 3.2-10-35 | 2 | | |
| 1-34 | K0042050152 | SCREW, + ROUND HEAD M5-15 | 2 | | |
| 1-35 | K0200050002 | WASHER, SPRING M5 | 2 | | |
| 1-36 | K5000050002 | WASHER, M5 | 2 | | |
| 1-37 | K4039000130 | RUBBER, TK-3220 | 2 | | |
| 1-38 | LM2700-0608BD | RECEIVER, SEAT | 1 | | |
| 1-39 | K3622000210 | CONNECTOR, MALE CA104 | 1 | | |
| 1-40 | K3622000220 | SLEEVE, INSULATED FOR CONNECTOR CA104 | 1 | | |
| 1-41 | K3622000230 | CONNECTOR, FEMALE CB104 | 1 | | |
| 1-42 | K3622000240 | SLEEVE, INSULATED FOR CONNECTOR CB104 | 1 | | |
| 1-43 | K4205001580 | DECAL, CAUTION TO INJURE | 1 | | |
| 1-44 | K0000100252 | BOLT, M10-25 | 1 | | |
| 1a-45 | K1700000390 | SEAT, DS85H190 COMP | 1 | | |
| | | | | | |
| | | | | | |
| | | | | | |

2.Frame section B

LM3210

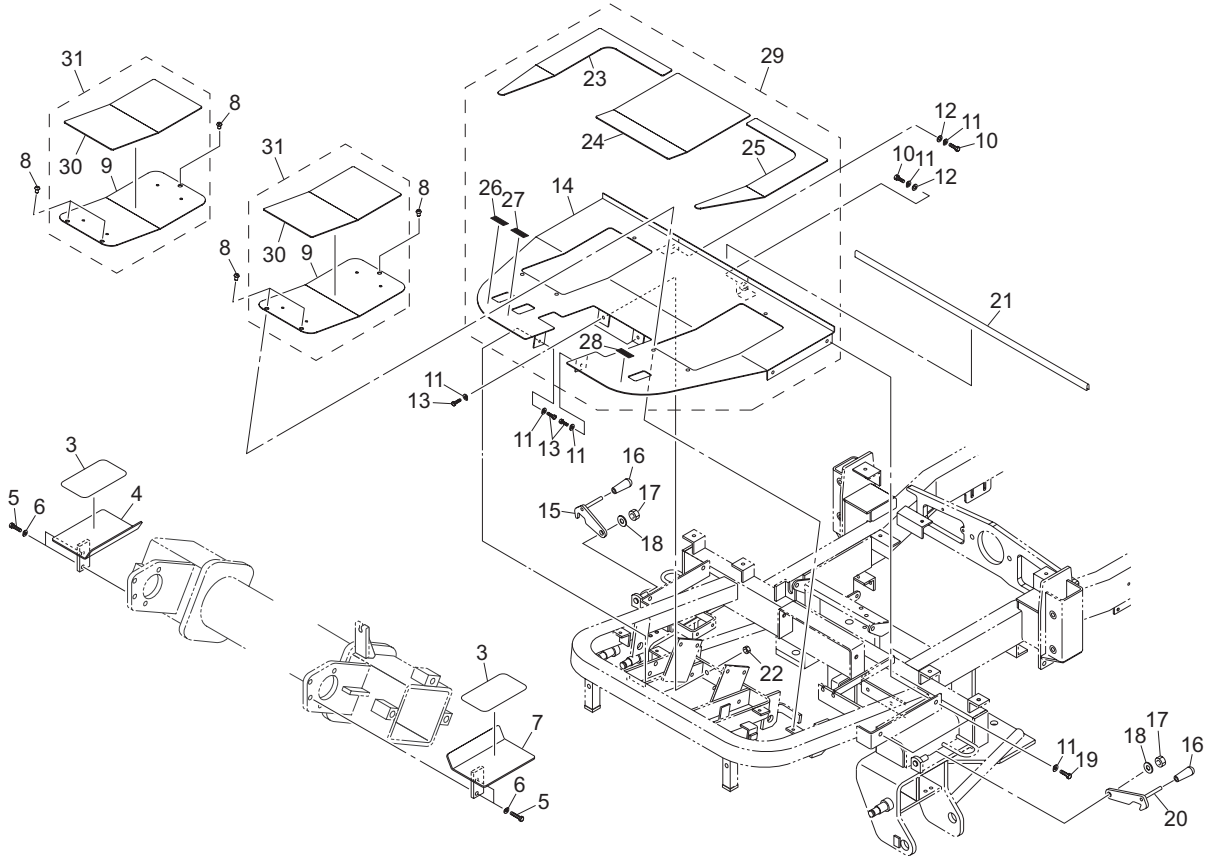


LM3210_002_z01

| Cat No. | Code No. | Part name | Qty | Remark | SN of application |
|---------|---------------|--|-----|--------|-------------------|
| 2-1 | | | | | |
| 2-2 | | | | | |
| 2-3 | K4400000030 | SHEET, NONSLIP FOR PEDAL 100170 | 2 | | |
| 2-4 | GM2800-0624ZD | STEP, (R) | 1 | | |
| 2-5 | K0000120302 | BOLT, M12-30 | 4 | | |
| 2-6 | K0200120002 | WASHER, SPRING M12 | 4 | | |
| 2-7 | GM2800-0623ZD | STEP, (L) | 1 | | |
| 2-8 | K0062080122 | BOLT, BUTTON HEAD WITH HEX. HOLE M8-12 | 6 | | |
| 2-9 | LM2700-0621AD | COVER, STEP | 2 | | |
| 2-10 | K0000080252 | BOLT, M8-25 | 2 | | |
| 2-11 | K0200080002 | WASHER, SPRING M8 | 10 | | |
| 2-12 | K5000080002 | WASHER, M8 | 2 | | |
| 2-13 | K0000080202 | BOLT, M8-20 | 4 | | |
| 2-14 | LM2700-0620BD | STEP | 1 | | |
| 2-15 | GM2800-0621AD | LEVER, LOCKING #4 | 1 | | |
| 2-16 | K1300000110 | GRIP, RUBBER YELLOW 9-22 | 2 | | |
| 2-17 | K0145140002 | NUT, WITH F-RING, P1.5 M14 | 2 | | |
| 2-18 | K0210140002 | SPRING, CONICAL DISC L M14 | 2 | | |
| 2-19 | K0000080152 | BOLT, M8-15 | 4 | | |
| 2-20 | GM2800-0622AD | LEVER, LOCKING #5 | 1 | | |
| 2-21 | K3198608900 | TRIM, SEAL 6100-16A-890 | 1 | | |
| 2-22 | K0100080002 | NUT, M8 | 2 | | |
| 2-23 | K4400000070 | SHEET, NONSLIP RIGHT | 1 | | |
| 2-24 | K4400000100 | SHEET, NONSLIP CENTER | 1 | | |
| 2-25 | K4400000060 | SHEET, NONSLIP LEFT | 1 | | |
| 2-26 | K4203001440 | DECAL, BACKWARD | 1 | | |
| 2-27 | K4203001430 | DECAL, FORWARD | 1 | | |
| 2-28 | K4203001450 | DECAL, BRAKE | 1 | | |
| 2-29 | LM2700-0640Z0 | STEP COMP | 1 | | |
| 2-30 | K4400000080 | SHEET, NONSLIP 346186 | 2 | | |

2.Frame section B

LM3210

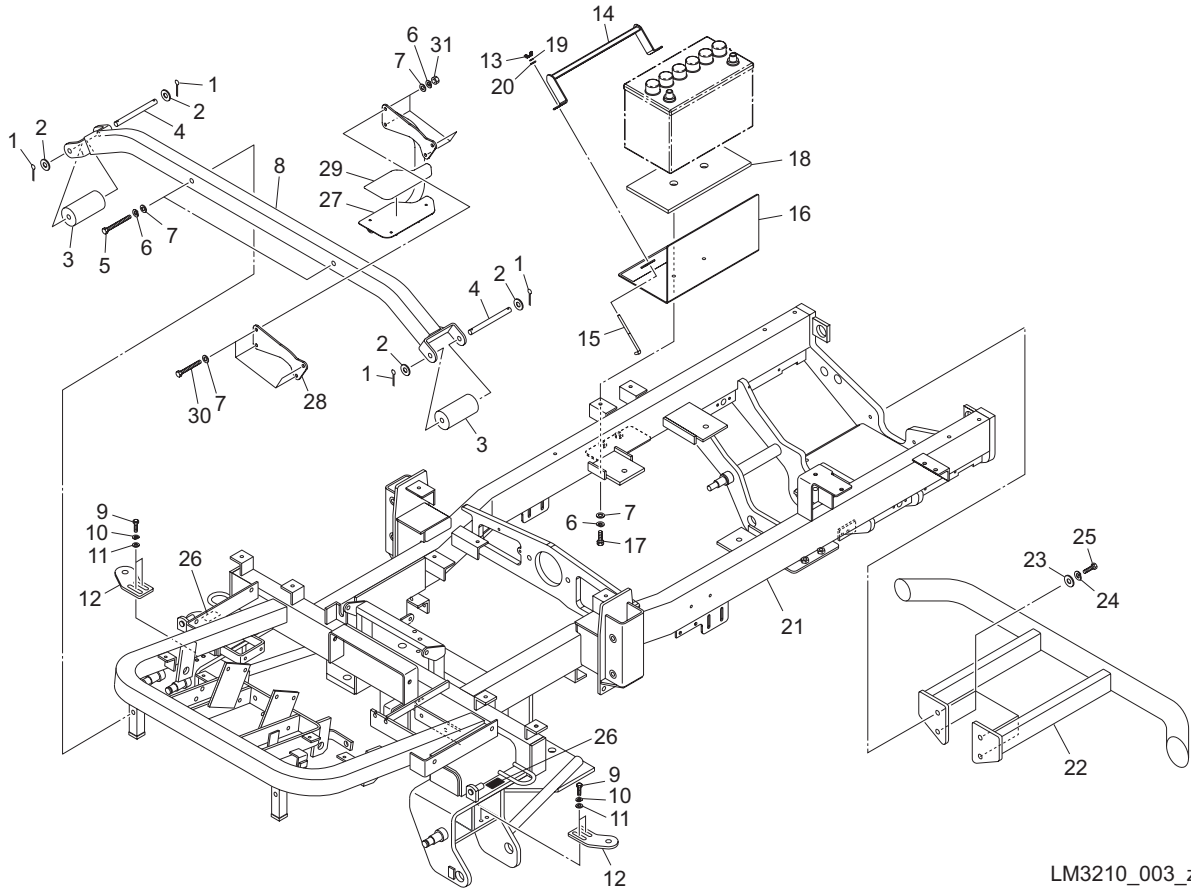


LM3210_002_z01

| Cat No. | Code No. | Part name | Qty | Remark | SN of application |
|---------|---------------|------------------|-----|--------|-------------------|
| 2-31 | LM2700-0641Z0 | COVER COMP, STEP | 2 | | |
| | | | | | |
| | | | | | |
| | | | | | |
| | | | | | |
| | | | | | |
| | | | | | |
| | | | | | |
| | | | | | |

3.Frame section C

LM3210

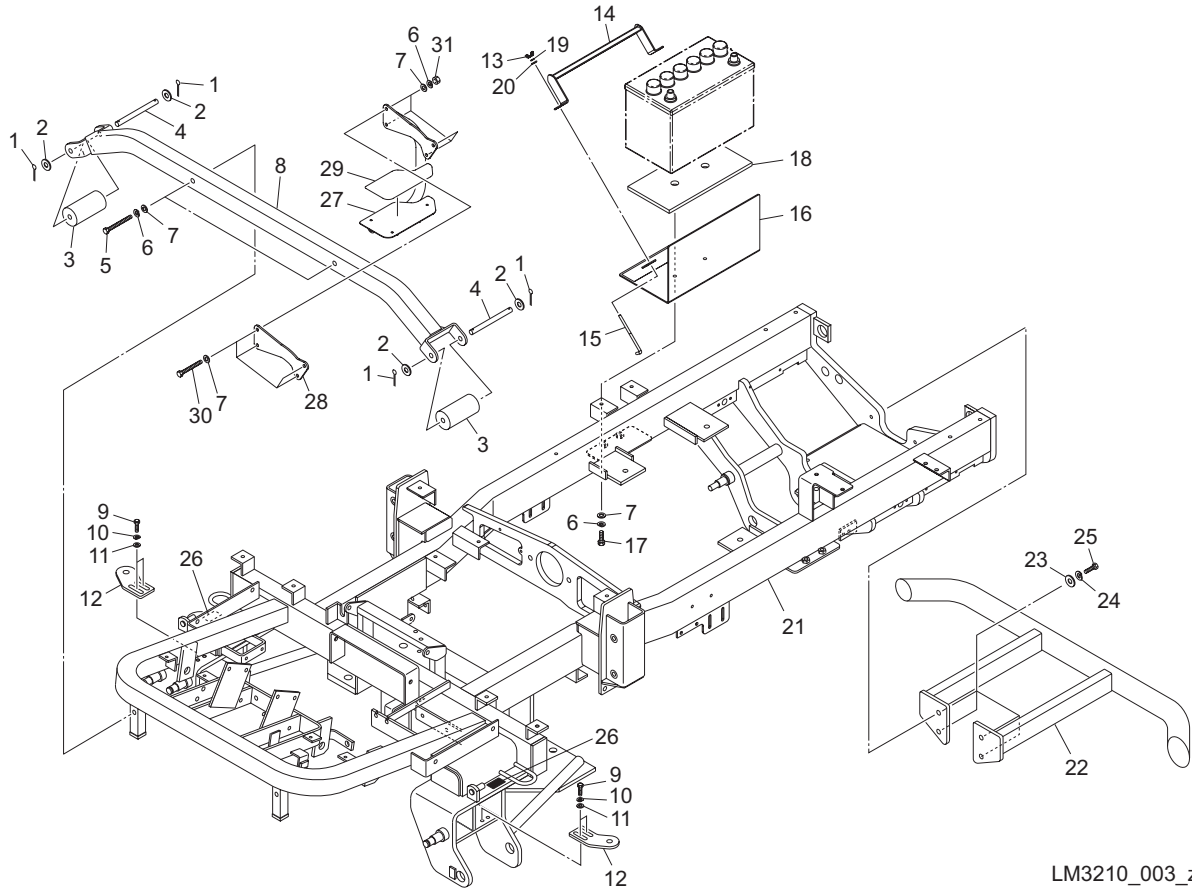


LM3210_003_z01

| Cat No. | Code No. | Part name | Qty | Remark | SN of application |
|---------|---------------|-------------------------------------|-----|--------|-------------------|
| 3-1 | K0300032222 | PIN, COTTER M3.2-22 | 4 | | |
| 3-2 | K5000140002 | WASHER, M14 | 4 | | |
| 3-3 | GM2800-0628Z0 | RUBBER, ROLLER 120 | 2 | | |
| 3-4 | GM2800-0629Z2 | SHAFT, ROLLER 155 | 2 | | |
| 3-5 | K0000101002 | BOLT, M10-100 | 2 | | |
| 3-6 | K0200100002 | WASHER, SPRING M10 | 6 | | |
| 3-7 | K5000100002 | WASHER, M10 | 6 | | |
| 3-8 | GM2800-0614ZD | GUIDE, ARM | 1 | | |
| 3-9 | K0000080202 | BOLT, M8-20 | 4 | | |
| 3-10 | K0200080002 | WASHER, SPRING M8 | 4 | | |
| 3-11 | K5000080002 | WASHER, M8 | 4 | | |
| 3-12 | LM2700-0625ZD | BRACKET, SWITCH | 2 | | |
| 3-13 | K0141060002 | NUT, WING M6-3 | 2 | | |
| 3-14 | GM2810-0603ZD | CLAMP, BATTERY | 1 | | |
| 3-15 | M6171000312 | ROD, W/ M6 | 2 | | |
| 3-16 | GM2800-0602ZD | MOUNT, VALVE | 1 | | |
| 3-17 | K0000100202 | BOLT, M10-20 | 2 | | |
| 3-18 | K4035000140 | RUBBER, VIBRATION PROOF FOR BATTERY | 1 | | |
| 3-19 | K0200060002 | WASHER, SPRING M6 | 2 | | |
| 3-20 | K5012306162 | WASHER, SPCC 2.3-6-16 | 2 | | |
| 3-21 | GM2810-0601BD | FRAME | 1 | | |
| 3-22 | GM2800-0617ZD | BUMPER | 1 | | |
| 3-23 | K5000120002 | WASHER, M12 | 4 | | |
| 3-24 | K0200120002 | WASHER, SPRING M12 | 4 | | |
| 3-25 | K0010120302 | BOLT, HT P1.75 M12-30 | 4 | | |
| 3-26 | K4205001900 | DECAL, CAUTION ARM LOCK | 2 | | |
| 3a-27 | | | | | |
| 3a-28 | | | | | |
| 3a-29 | | | | | |
| 3a-30 | | | | | |

3.Frame section C

LM3210

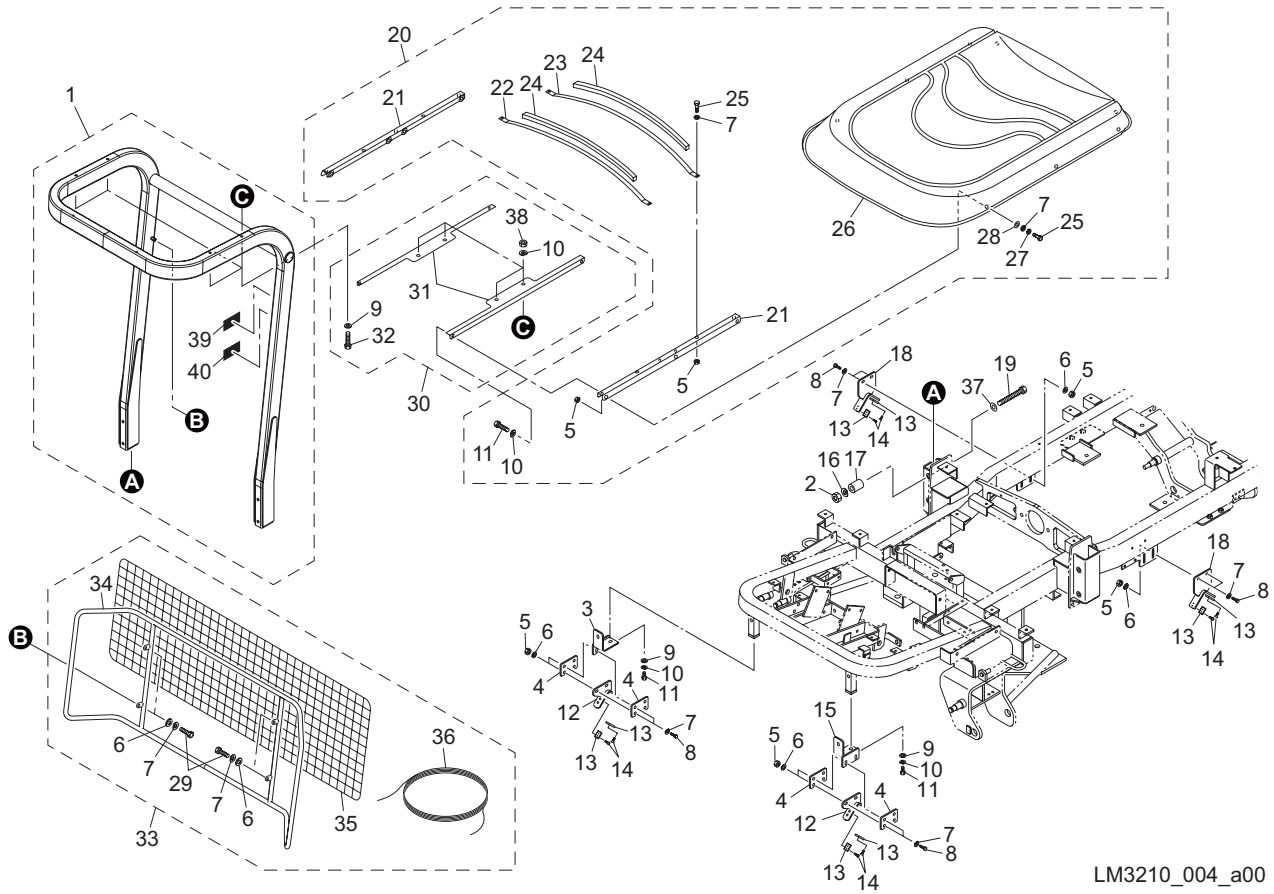


LM3210_003_z01

| Cat No. | Code No. | Part name | Qty | Remark | SN of application |
|---------|----------|-----------|-----|--------|-------------------|
| 3a-31 | | | | | |
| | | | | | |
| | | | | | |
| | | | | | |
| | | | | | |
| | | | | | |

4.Frame section D

LM3210

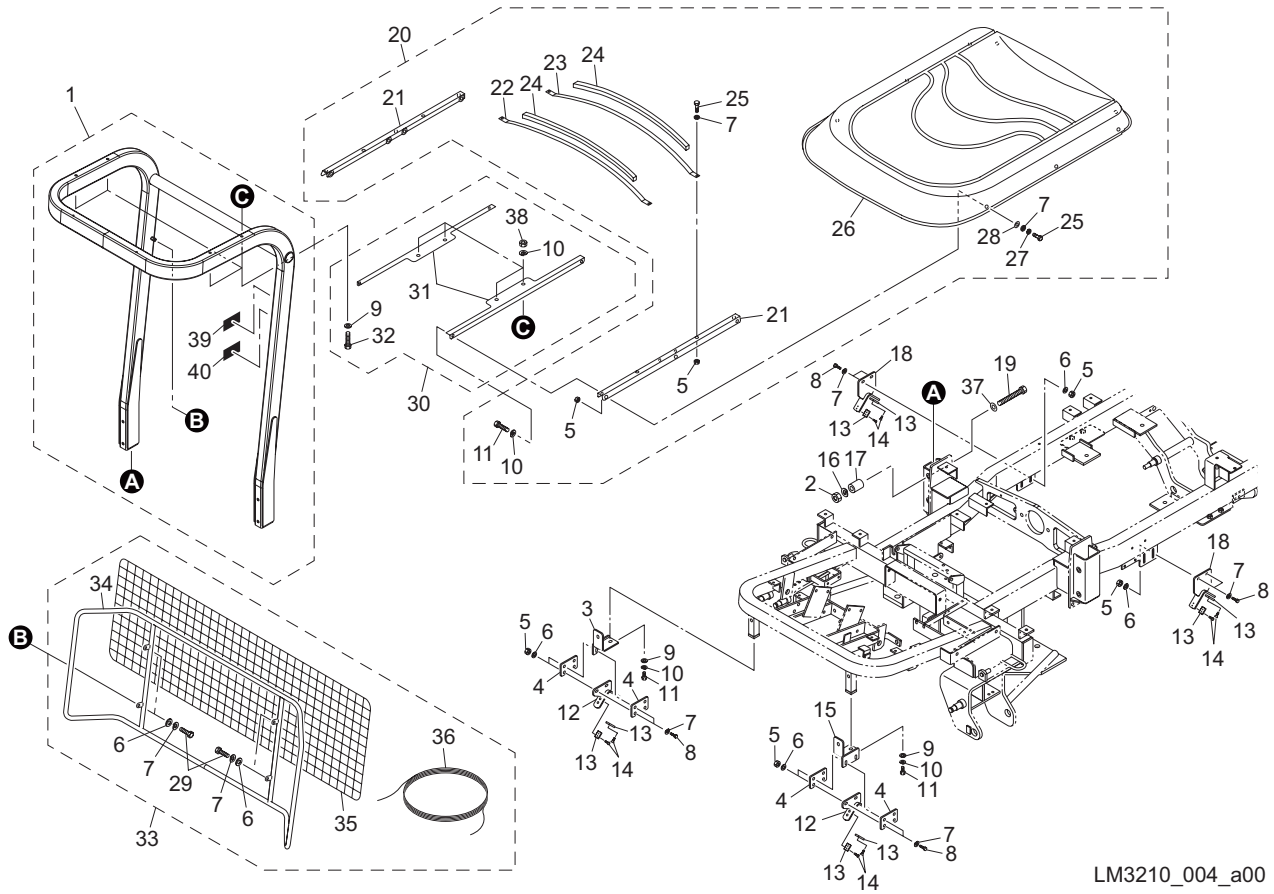


LM3210_004_a00

| Cat No. | Code No. | Part name | Qty | Remark | SN of application |
|---------|---------------|-------------------------------|-----|--------|-------------------|
| 4a-1 | GM2810-1304ZD | ROPS ASSY | 1 | | |
| 4-2 | K0159000061 | NUT, 10.9T M12-1 | 4 | | |
| 4-3 | LM3200-0603ZD | BRACKET, (R) | 1 | | |
| 4-4 | LM3200-0606ZD | PLATE, MOUNTING MOWER STOPPER | 4 | | |
| 4-5 | K0100080002 | NUT, M8 | 16 | | |
| 4-6 | K5000080002 | WASHER, M8 | 16 | | |
| 4-7 | K0200080002 | WASHER, SPRING M8 | 26 | | |
| 4-8 | K0000080302 | BOLT, M8-30 | 12 | | |
| 4-9 | K5000100002 | WASHER, M10 | 6 | | |
| 4-10 | K0200100002 | WASHER, SPRING M10 | 10 | | |
| 4-11 | K0000100202 | BOLT, M10-20 | 6 | | |
| 4-12 | LM3200-0602ZD | STOPPER, MOWER #1 | 2 | | |
| 4-13 | LM526A-0107Z0 | STOPPER | 8 | | |
| 4-14 | K0041060122 | SCREW, + FLAT HEAD M6-12 | 16 | | |
| 4-15 | LM3200-0604ZD | BRACKET, (L) | 1 | | |
| 4-16 | K0200120002 | WASHER, SPRING M12 | 4 | | |
| 4-17 | GM2810-1302ZD | COLLAR, SECURING | 4 | | |
| 4-18 | LM2700-0614AD | STOPPER, MOWER | 2 | | |
| 4-19 | K0013121102 | BOLT, HT M12-110 | 4 | | |
| 4-20 | K9120000030 | ROOF ASSY | 1 | | |
| 4-21 | K190000011D | SUPPORT, HOOD | 2 | | |
| 4-22 | K190000010D | ARCH, B | 1 | | |
| 4-23 | K190000009D | ARCH, A | 1 | | |
| 4-24 | K1900000120 | SPONGE, URETHANE 20-20840 | 2 | | |
| 4-25 | K0000080202 | BOLT, M8-20 | 10 | | |
| 4-26 | K1900000080 | ROOF | 1 | | |
| 4-27 | K5012308322 | WASHER, SPCC 2.3-8-32 | 6 | | |
| 4-28 | K1900000130 | RUBBER, FOR ROOF | 8 | | |
| 4-29 | K0000080152 | BOLT, M8-15 | 4 | | |
| 4a-30 | K9120000050 | BRACKET SET, FOR AWNING FRAME | 1 | | |

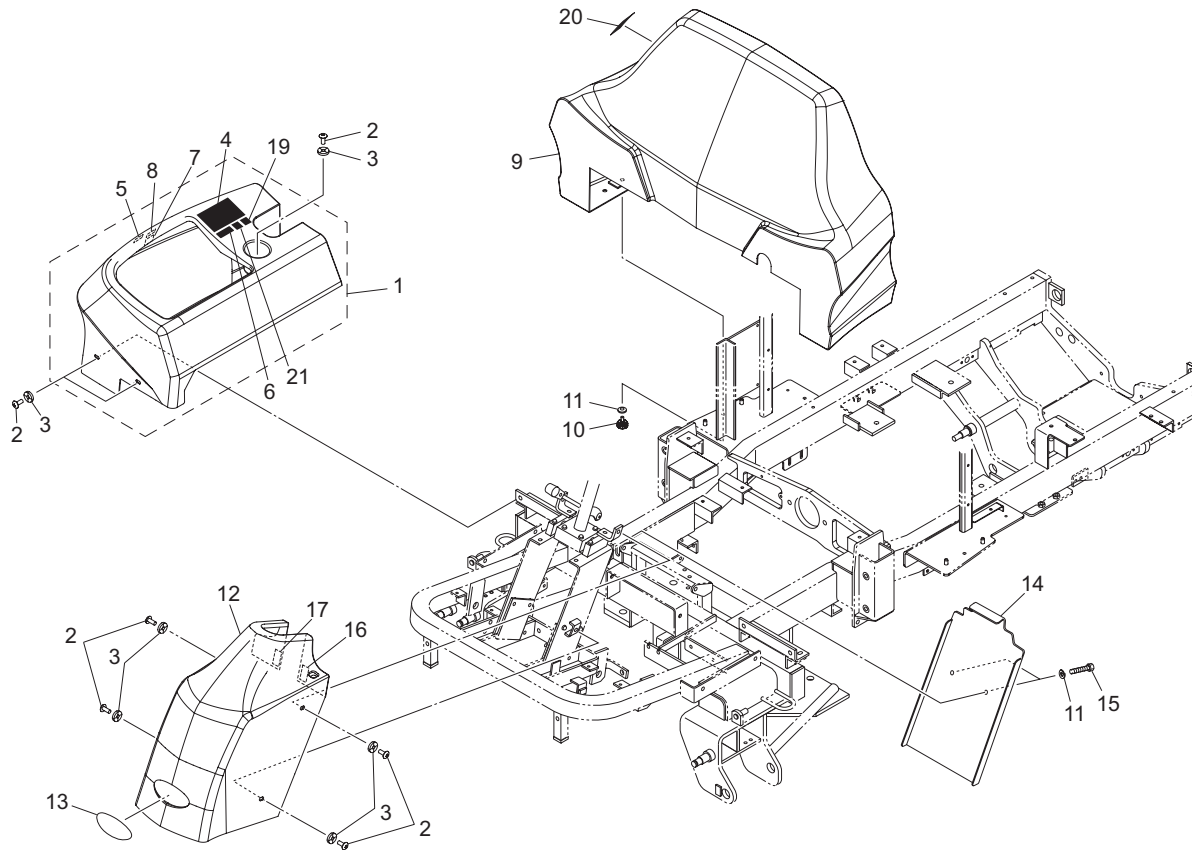
4.Frame section D

LM3210



LM3210_004_a00

| Cat No. | Code No. | Part name | Qty | Remark | SN of application |
|---------|-------------|----------------------------|-----|--------|-------------------|
| 4a-31 | K520500040D | PLATE, FOR FIXING ROOF | 1 | | |
| 4a-32 | K0000101002 | BOLT, M10-10 | 4 | | |
| 4-33 | K8990000040 | NET ASSY, PROTECTION | 1 | | |
| 4-34 | K789900128D | FRAME, FOR BALL PROOF NET | 1 | | |
| 4-35 | K4130000020 | NET, PROTECTION 550*1375 S | 1 | | |
| 4-36 | K4140000020 | ROPE, 2-6700 S | 2 | | |
| 4-37 | K5000120002 | WASHER, M12 | 4 | | |
| 4a-38 | K0100100002 | NUT, M10 | 4 | | |
| 4a-39 | K4209001500 | LABEL, CERTIFICATE OF ROPS | 1 | | |
| 4a-40 | K4205001710 | DECAL, CAUTION TO ROPS | 1 | | |
| | | | | | |
| | | | | | |
| | | | | | |
| | | | | | |
| | | | | | |

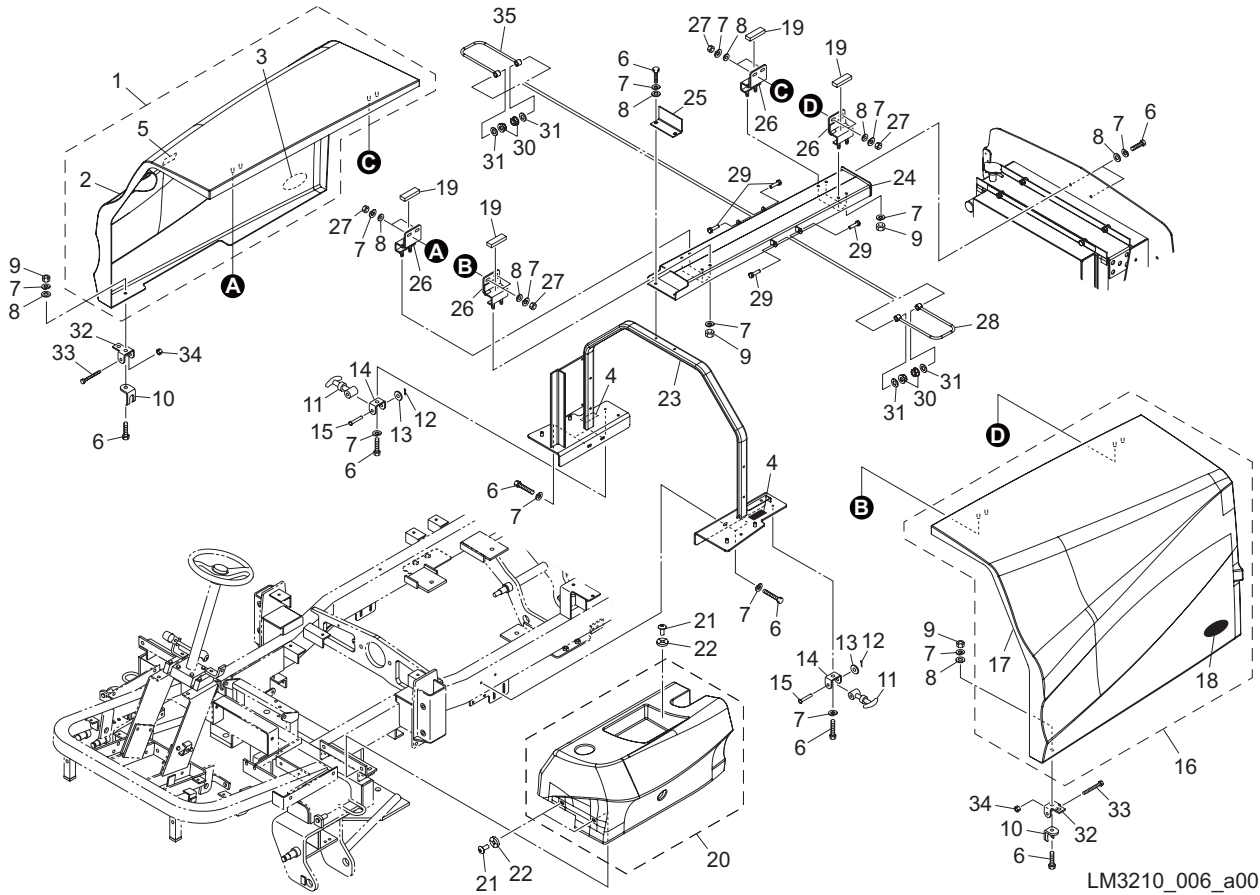


LM3210_005_a01

| Cat No. | Code No. | Part name | Qty | Remark | SN of application |
|---------|---------------|-----------------------------------|-----|--------|-------------------|
| 5a-1 | LM3210-1701Z0 | COVER COMP, TANK R | 1 | | |
| 5-2 | K0056080200 | SCREW, SUS + TRUSS M8-20 | 7 | | |
| 5-3 | K4031000070 | RUBBER, VIBRATION PROOF 5-825 | 7 | | |
| 5-4 | K4205001840 | STICKER, REEL START/STOP | 1 | | |
| 5-5 | K4205001940 | DECAL, CAUTION FIRE | 1 | | |
| 5-6 | K4205001950 | DECAL, CAUTION EXHAUST GAS | 1 | | |
| 5-7 | K4209001000 | DECAL, DIESEL FUEL REFUELING HOLE | 1 | | |
| 5-8 | K4209001530 | DECAL, INDICATING DIESEL FUEL | 1 | | |
| 5-9 | GM2810-0908Z0 | COVER, CENTER | 1 | | |
| 5-10 | K1320000250 | KNOB, DIMPLE M8-16 | 2 | | |
| 5-11 | K0210080002 | SPRING, CONICAL DISC L M8 | 4 | | |
| 5-12 | GM2810-0905Z0 | COVER, FRONT | 1 | | |
| 5-13 | K4201000570 | STICKER, BARONESS | 1 | | |
| 5-14 | LM2700-0951ZD | COVER, FRONT (REAR) | 1 | | |
| 5-15 | K0000080152 | BOLT, M8-15 | 2 | | |
| 5-16 | K4203001340 | STICKER, PARKING BRAKE | 1 | | |
| 5-17 | K4203001350 | STICKER, TILT STEERING | 1 | | |
| 5a-18 | | | | | |
| 5a-19 | K4209001290 | DECAL, NOISE LEVEL LWA 103 | 1 | | |
| 5a-20 | K4209001550 | LABEL, MAINTENANCE | 1 | | |
| 5a-21 | K4205002090 | DECAL, WARNING NOISE | 1 | | |
| | | | | | |

6.Cover section B

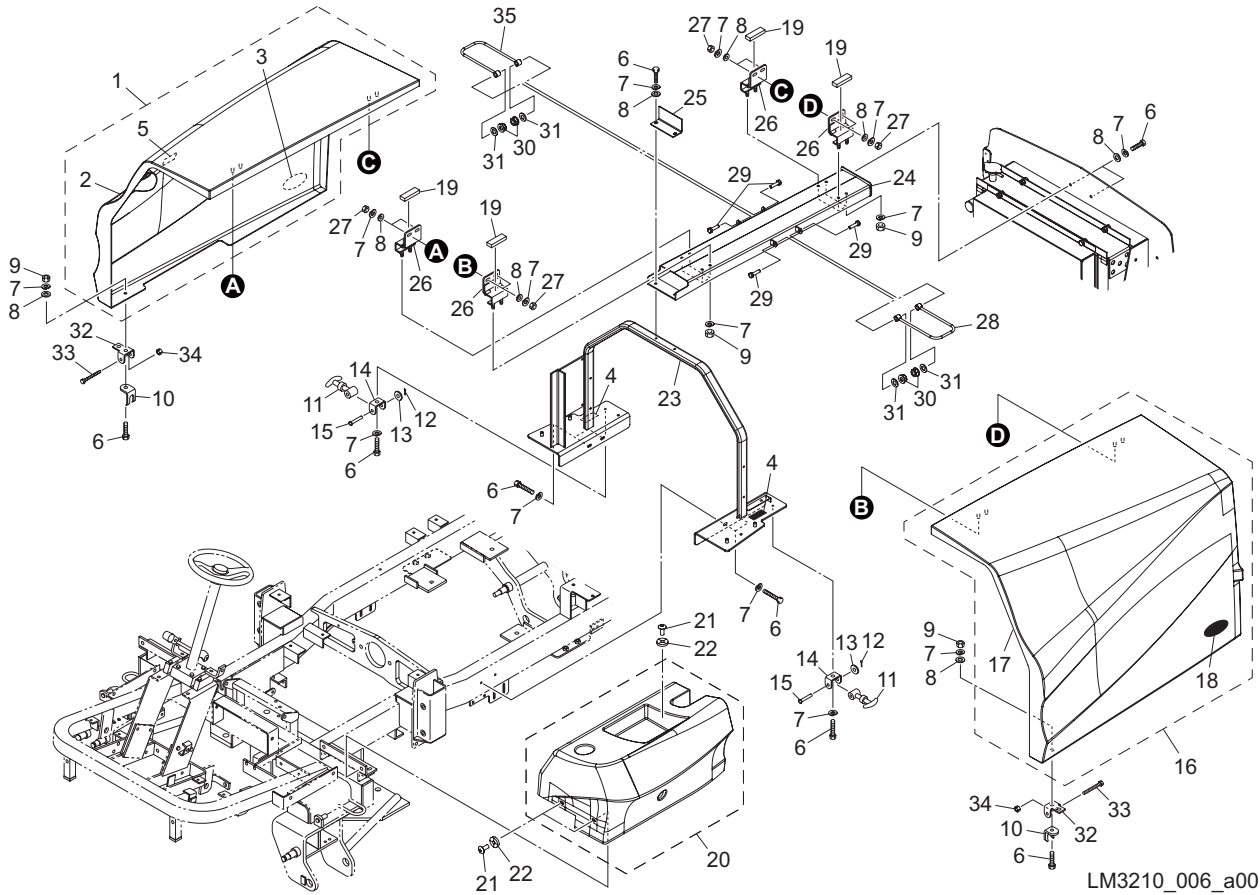
LM3210



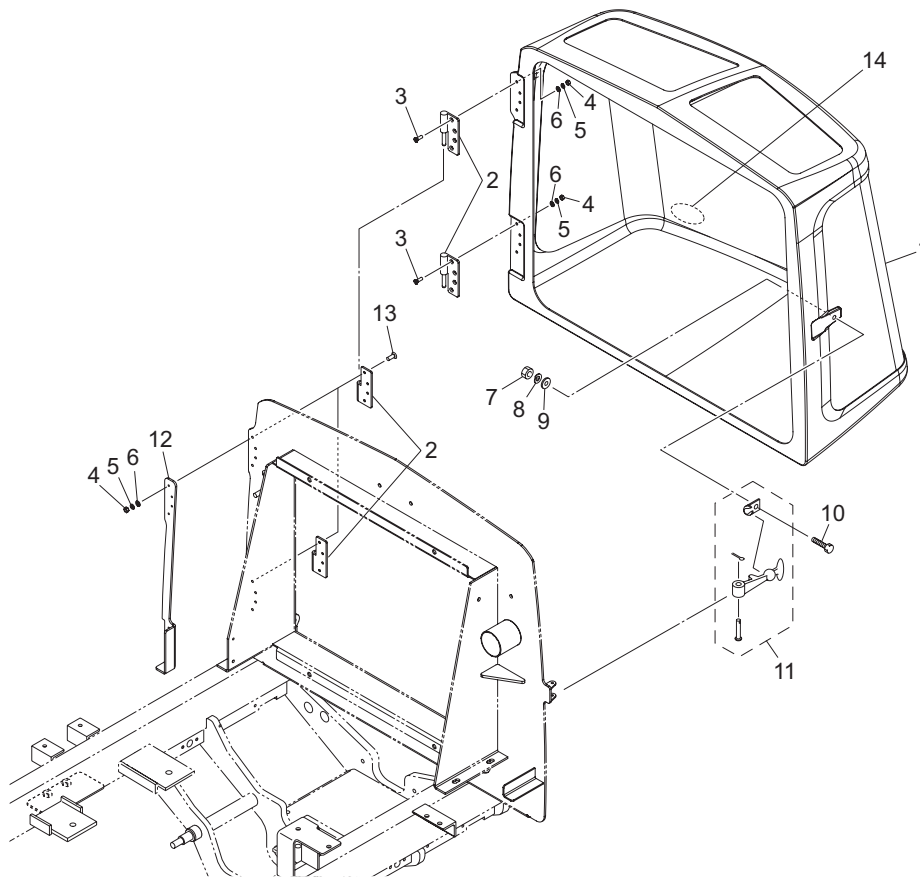
| Cat No. | Code No. | Part name | Qty | Remark | SN of application |
|---------|---------------|-------------------------------|-----|--------|-------------------|
| 6-1 | LM3210-3903Z0 | COVER COMP, SIDE R | 1 | | |
| 6-2 | GM2810-0911Z0 | COVER, SIDE R | 1 | | |
| 6-3 | LM3210-0902Z0 | DECAL, LM3210 R | 1 | | |
| 6-4 | K4205001580 | DECAL, CAUTION TO INJURE | 2 | | |
| 6-5 | K4205001540 | DECAL, CAUTION TO HOT PARTS | 1 | | |
| 6-6 | K0000080202 | BOLT, M8-20 | 12 | | |
| 6-7 | K0200080002 | WASHER, SPRING M8 | 28 | | |
| 6-8 | K5000080002 | WASHER, M8 | 14 | | |
| 6-9 | K0100080002 | NUT, M8 | 10 | | |
| 6-10 | K5270002352 | RECEIVER, RUBBER HOOK | 2 | | |
| 6-11 | K1520000090 | HOOK, RUBBER SMALL | 2 | | |
| 6-12 | K0300016202 | PIN, COTTER M1.6-20 | 2 | | |
| 6-13 | K5000060002 | WASHER, M6 | 2 | | |
| 6-14 | K5200000102 | BRACKET, RUBBER HOOK | 2 | | |
| 6-15 | K6030060352 | PIN, FLAT HEAD M6-35 | 2 | | |
| 6-16 | LM3210-3904Z0 | COVER COMP, SIDE L | 1 | | |
| 6-17 | GM2810-0914Z0 | COVER, SIDE L | 1 | | |
| 6-18 | LM3210-0903Z0 | DECAL, LM3210 L | 1 | | |
| 6-19 | K4428000120 | RUBBER, URETHAN 5-15-80 | 4 | | |
| 6-20 | GM2810-0907Z0 | COVER, TANK L | 1 | | |
| 6-21 | K0056080200 | SCREW, SUS + TRUSS M8-20 | 3 | | |
| 6-22 | K4031000070 | RUBBER, VIBRATION PROOF 5-825 | 3 | | |
| 6-23 | GM2810-0901ZD | FRAME, COVER | 1 | | |
| 6-24 | GM2810-0922ZD | MOUNT, COVER | 1 | | |
| 6-25 | GM2800-0930ZD | RETAINER, COVER | 1 | | |
| 6-26 | GM2800-0920Z0 | HINGE ASSY | 4 | | |
| 6-27 | K0144080002 | NUT, WITH F-RING, M8 | 8 | | |
| 6-28 | GM1500-0932B2 | STAY, FOR HOOD | 1 | | |
| 6-29 | K0000100402 | BOLT, M10-40 | 4 | | |
| 6-30 | K0144100002 | NUT, WITH F-RING, M10 | 4 | | |

6.Cover section B

LM3210



| Cat No. | Code No. | Part name | Qty | Remark | SN of application |
|---------|---------------|----------------------------|-----|--------|-------------------|
| 6-31 | K5000100002 | WASHER, M10 | 4 | | |
| 6a-32 | K7355000702 | FITTING, RUBBER CATCH LOCK | 2 | | |
| 6a-33 | K0000060452 | BOLT, M6-45 | 2 | | |
| 6a-34 | K0144060002 | NUT, WITH F-RING, M6 | 2 | | |
| 6-35 | GM2800-0945Z2 | STAY, FOR HOOD | 1 | 10021- | |
| | | | | | |
| | | | | | |
| | | | | | |
| | | | | | |
| | | | | | |
| | | | | | |

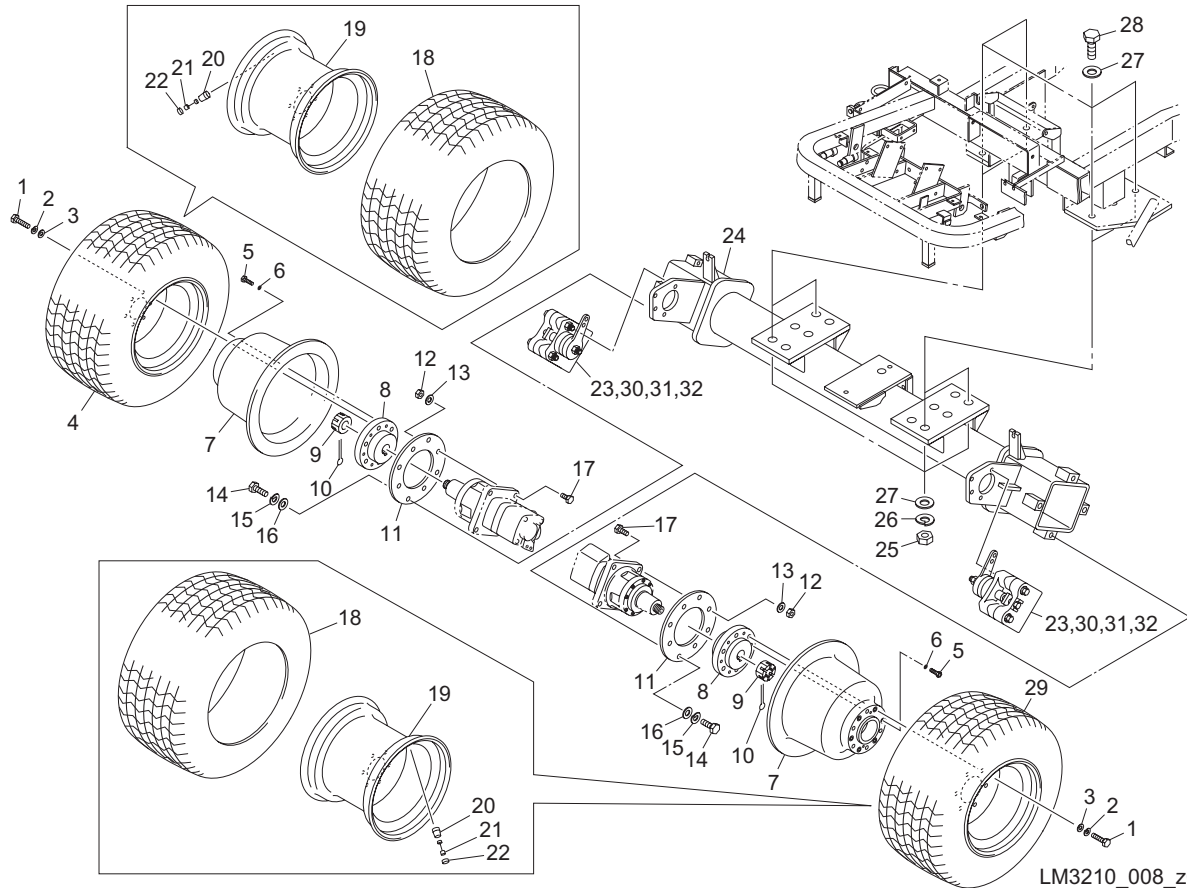


LM3210_007_z00

| Cat No. | Code No. | Part name | Qty | Remark | SN of application |
|---------|---------------|--------------------------|-----|--------|-------------------|
| 7-1 | GM2810-3905 | COVER COMP, RADIATOR | 1 | | |
| 7-2 | GM2800-0931Z0 | HINGE, B-67-1R | 2 | | |
| 7-3 | K0041050162 | SCREW, + FLAT HEAD M5-16 | 8 | | |
| 7-4 | K0100050002 | NUT, M5 | 16 | | |
| 7-5 | K0200050002 | WASHER, SPRING M5 | 16 | | |
| 7-6 | K5000050002 | WASHER, M5 | 16 | | |
| 7-7 | K0100060002 | NUT, M6 | 1 | | |
| 7-8 | K0200060002 | WASHER, SPRING M6 | 1 | | |
| 7-9 | K5011606202 | WASHER, SPCC 1.6-6-20 | 1 | | |
| 7-10 | K0000060202 | BOLT, M6-20 | 1 | | |
| 7-11 | K1520000030 | HOOK ASSY, RUBBER | 1 | | |
| 7-12 | GM2810-0503ZD | PLATE, MOUNTING COVER | 1 | | |
| 7-13 | K0041050122 | SCREW, + FLAT HEAD M5-12 | 8 | | |
| 7-14 | K4201000570 | STICKER, BARONESS | 1 | | |
| | | | | | |
| | | | | | |
| | | | | | |
| | | | | | |

8.Front wheel section (Type R)

LM3210

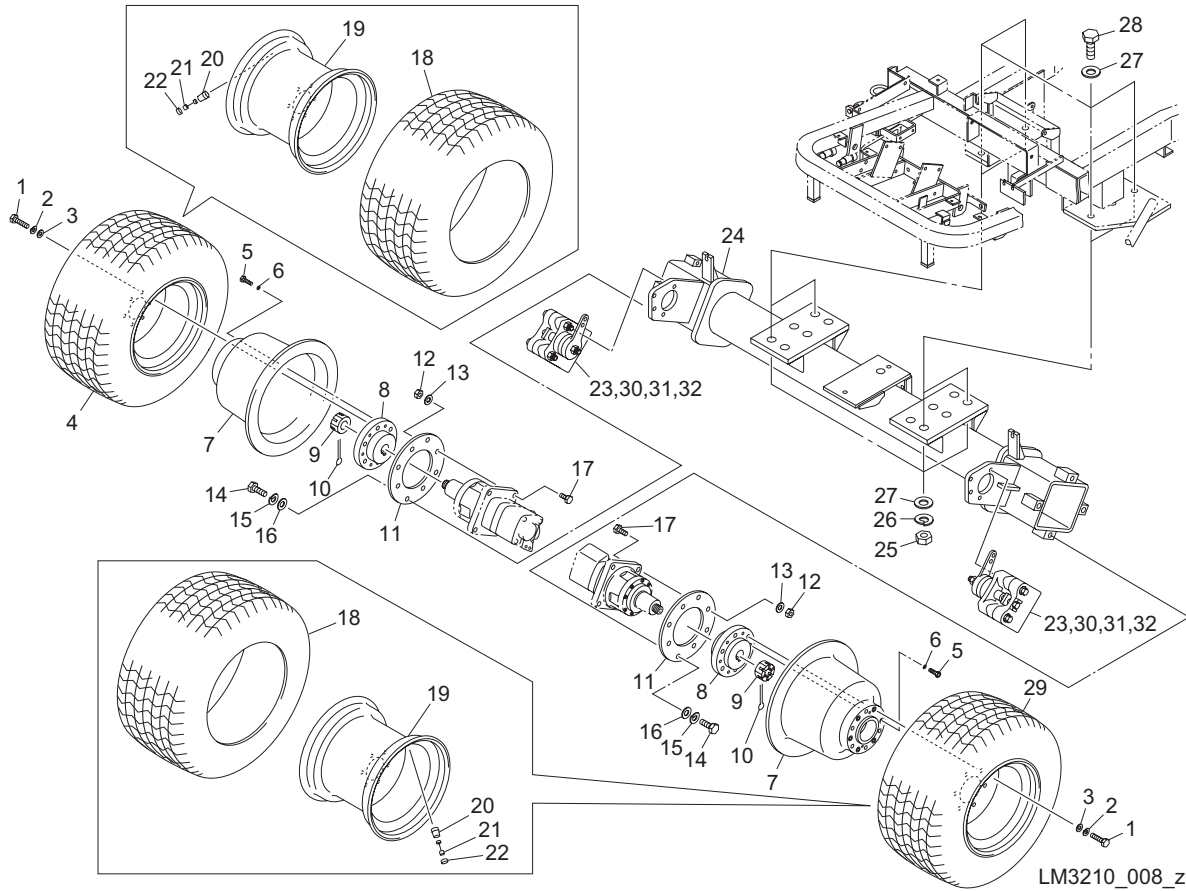


LM3210_008_z01

| Cat No. | Code No. | Part name | Qty | Remark | SN of application |
|---------|---------------|----------------------------|-----|--------|-------------------|
| 8-1 | K0014120652 | BOLT, HT P1.5 M12-65 | 12 | | |
| 8-2 | K0200120002 | WASHER, SPRING M12 | 12 | | |
| 8-3 | K5000120002 | WASHER, M12 | 12 | | |
| 8-4 | K2040000860 | TIRE ASSY, 31*15.5-15 R | 1 | | |
| 8-5 | K0024080401 | BOLT, WITH HEX. HOLE M8-40 | 12 | | |
| 8-6 | K0215080002 | WASHER, DISK SPRING H M8-2 | 12 | | |
| 8-7 | LM2700-0305ZD | DISK, BRAKE | 2 | | |
| 8-8 | LM2700-0306ZD | MOUNT, WHEEL | 2 | | |
| 8-9 | K0138240002 | NUT, HIGH SLOTTED P1.5 M24 | 2 | | |
| 8-10 | K0300050452 | PIN, COTTER M5-45 | 2 | | |
| 8-11 | LM2700-0307Z2 | PLATE, MOUNTING MOTOR | 2 | | |
| 8-12 | K0100140002 | NUT, M14 | 8 | | |
| 8-13 | K0200140002 | WASHER, SPRING M14 | 8 | | |
| 8-14 | K0014160402 | BOLT, HT P1.5 M16-40 | 8 | | |
| 8-15 | K0200160002 | WASHER, SPRING M16 | 8 | | |
| 8-16 | K5000160002 | WASHER, M16 | 8 | | |
| 8-17 | K0013140502 | BOLT, HT M14-50 | 8 | | |
| 8-18 | K2041000180 | TIRE, 31*15.5-15PD1 | 2 | | |
| 8-19 | K209000088D | WHEEL, 15*13 | 2 | | |
| 8-20 | K2097000010 | VALVE, RIM TR413 | 2 | | |
| 8-21 | K2092000010 | CORE, VALVE NO.8000 | 2 | | |
| 8-22 | K2093000010 | CAP, VALVE | 2 | | |
| 8-23 | K1720000190 | BRAKE ASSY, RT | 2 | | |
| 8-24 | LM2700-0308ZD | AXLE, FRONT | 1 | | |
| 8-25 | K0152200002 | NUT, NYLON P1.5 M20 | 4 | | |
| 8-26 | K0200200002 | WASHER, SPRING M20 | 4 | | |
| 8-27 | K5000200002 | WASHER, M20 | 8 | | |
| 8-28 | K0015200702 | BOLT, HT P1.5 M20-70 | 4 | | |
| 8-29 | K2040000850 | TIRE ASSY, 31*15.5-15 L | 1 | | |
| 8-30 | Y304-2221 | REPAIR KIT, FOR RT BRAKE | 2 | | |

8.Front wheel section (Type R)

LM3210

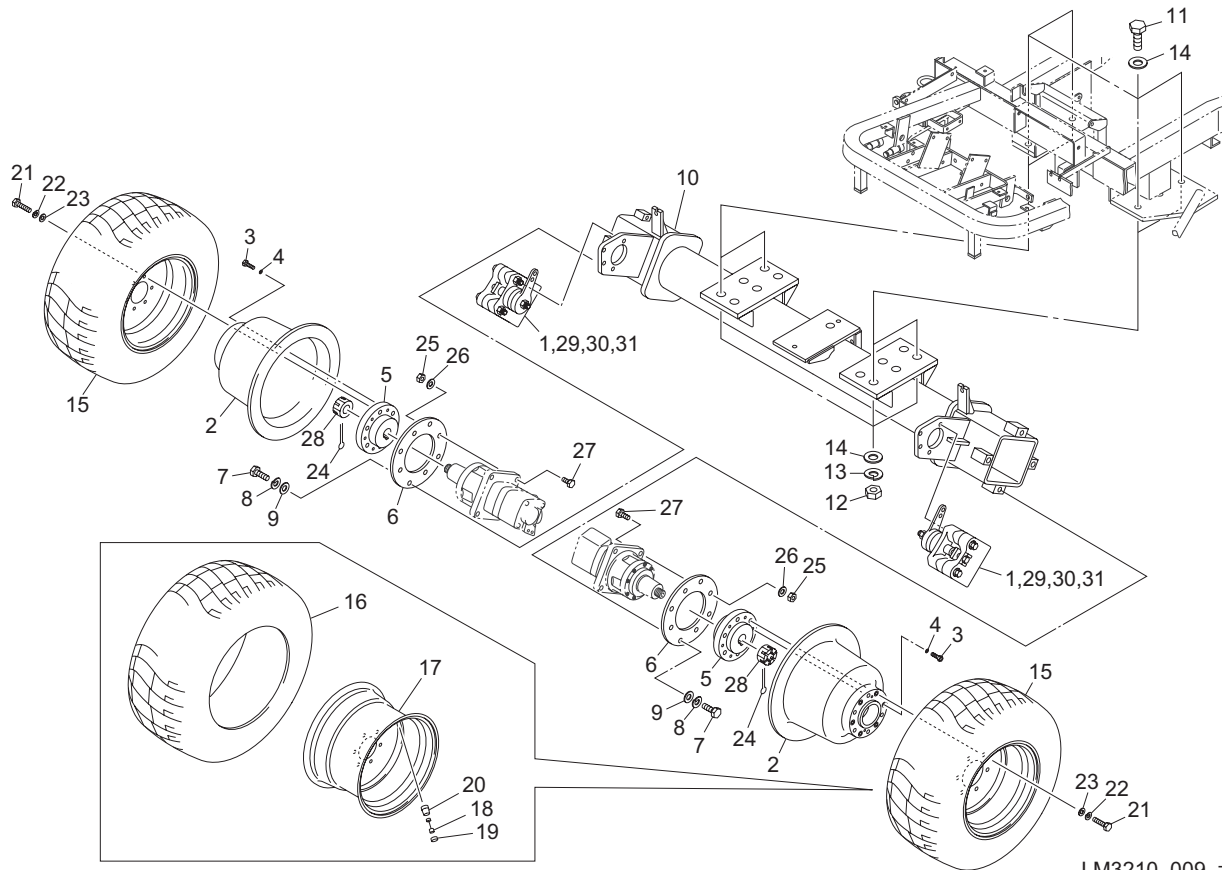


LM3210_008_z01

| Cat No. | Code No. | Part name | Qty | Remark | SN of application |
|---------|-----------|---------------------------|-----|--------|-------------------|
| 8-31 | Y244-7845 | PAD ASSY, LINING RT BRAKE | 2 | | |
| 8-32 | Y304J7024 | CAM KIT | 2 | | |
| | | | | | |
| | | | | | |
| | | | | | |
| | | | | | |
| | | | | | |
| | | | | | |
| | | | | | |
| | | | | | |

9.Front wheel section (Type F)

LM3210

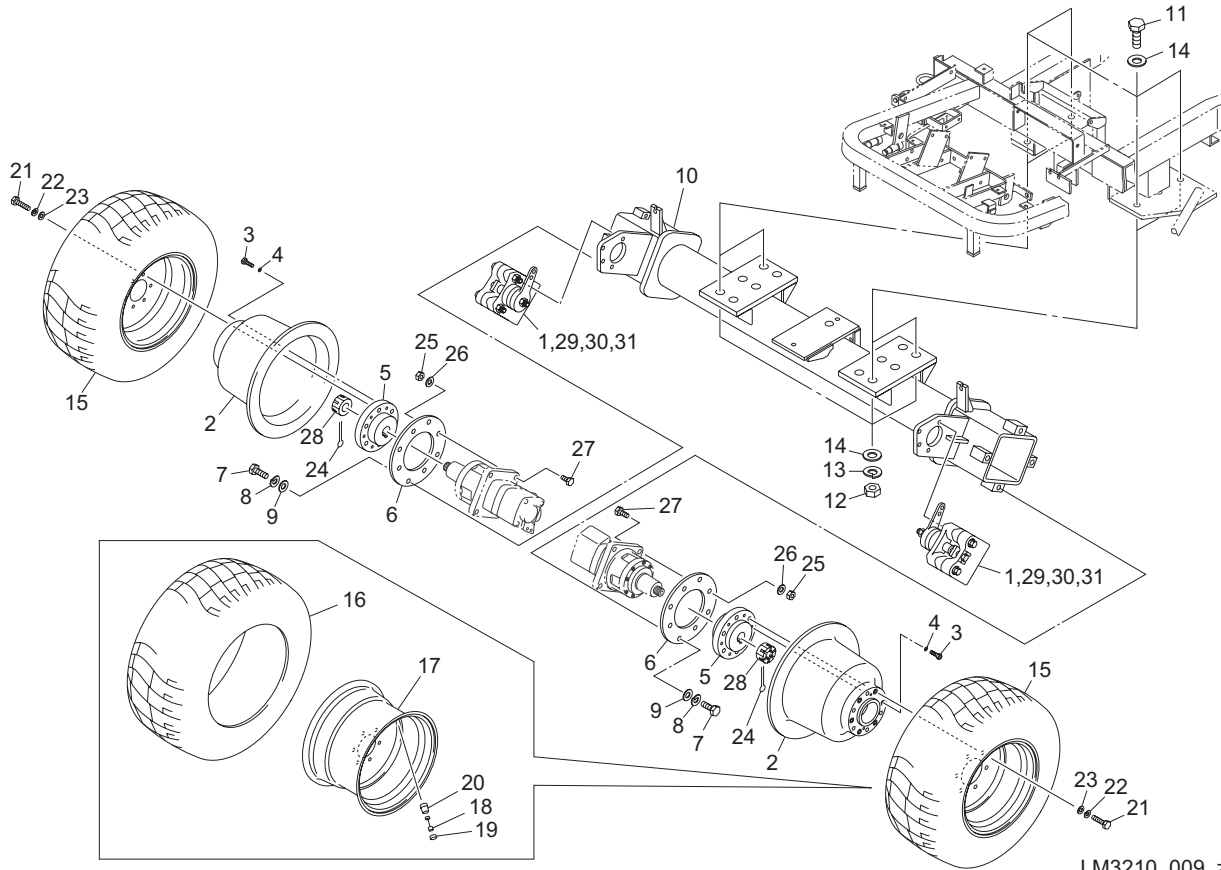


LM3210_009_z01

| Cat No. | Code No. | Part name | Qty | Remark | SN of application |
|---------|---------------|-----------------------------|-----|--------|-------------------|
| 9-1 | K1720000190 | BRAKE ASSY, RT | 2 | | |
| 9-2 | LM2700-0305ZD | DISK, BRAKE | 2 | | |
| 9-3 | K0024080401 | BOLT, WITH HEX. HOLE M8-40 | 12 | | |
| 9-4 | K0215080002 | WASHER, DISK SPRING H M8-2 | 12 | | |
| 9-5 | LM2700-0306ZD | MOUNT, WHEEL | 2 | | |
| 9-6 | LM2700-0307Z2 | PLATE, MOUNTING MOTOR | 2 | | |
| 9-7 | K0014160402 | BOLT, HT P1.5 M16-40 | 8 | | |
| 9-8 | K0200160002 | WASHER, SPRING M16 | 8 | | |
| 9-9 | K5000160002 | WASHER, M16 | 8 | | |
| 9-10 | LM2700-0308ZD | AXLE, FRONT | 1 | | |
| 9-11 | K0015200702 | BOLT, HT P1.5 M20-70 | 4 | | |
| 9-12 | K0152200002 | NUT, NYLON P1.5 M20 | 4 | | |
| 9-13 | K0200200002 | WASHER, SPRING M20 | 4 | | |
| 9-14 | K5000200002 | WASHER, M20 | 8 | | |
| 9-15 | K2040000870 | TIRE ASSY, C-769 31*13.5-15 | 2 | | |
| 9-16 | K2041000480 | TIRE, C-769 31*13.5-15 | 2 | | |
| 9-17 | K209000089D | WHEEL, 15*10 | 2 | | |
| 9-18 | K2092000010 | CORE, VALVE NO.8000 | 2 | | |
| 9-19 | K2093000010 | CAP, VALVE | 2 | | |
| 9-20 | K2097000010 | VALVE, RIM TR413 | 2 | | |
| 9-21 | K0014120652 | BOLT, HT P1.5 M12-65 | 12 | | |
| 9-22 | K0200120002 | WASHER, SPRING M12 | 12 | | |
| 9-23 | K5000120002 | WASHER, M12 | 12 | | |
| 9-24 | K0300050452 | PIN, COTTER M5-45 | 2 | | |
| 9-25 | K0100140002 | NUT, M14 | 8 | | |
| 9-26 | K0200140002 | WASHER, SPRING M14 | 8 | | |
| 9-27 | K0013140502 | BOLT, HT M14-50 | 8 | | |
| 9-28 | K0138240002 | NUT, HIGH SLOTTED P1.5 M24 | 2 | | |
| 9-29 | Y304-2221 | REPAIR KIT, FOR RT BRAKE | 2 | | |
| 9-30 | Y244-7845 | PAD ASSY, LINING RT BRAKE | 2 | | |

9.Front wheel section (Type F)

LM3210

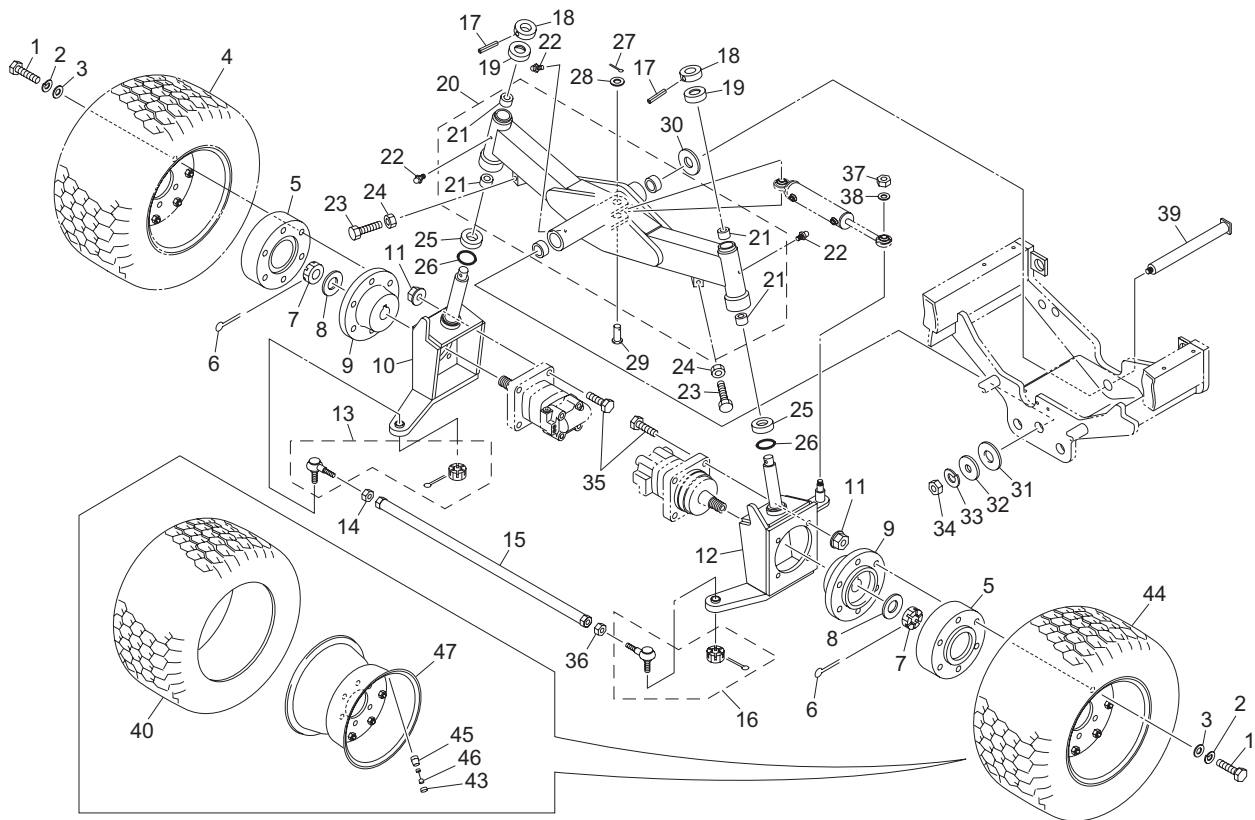


LM3210_009_z01

| Cat No. | Code No. | Part name | Qty | Remark | SN of application |
|---------|-----------|-----------|-----|--------|-------------------|
| 9-31 | Y304J7024 | CAM KIT | 2 | | |
| | | | | | |
| | | | | | |
| | | | | | |
| | | | | | |
| | | | | | |
| | | | | | |
| | | | | | |
| | | | | | |

10.Rear wheel section

LM3210

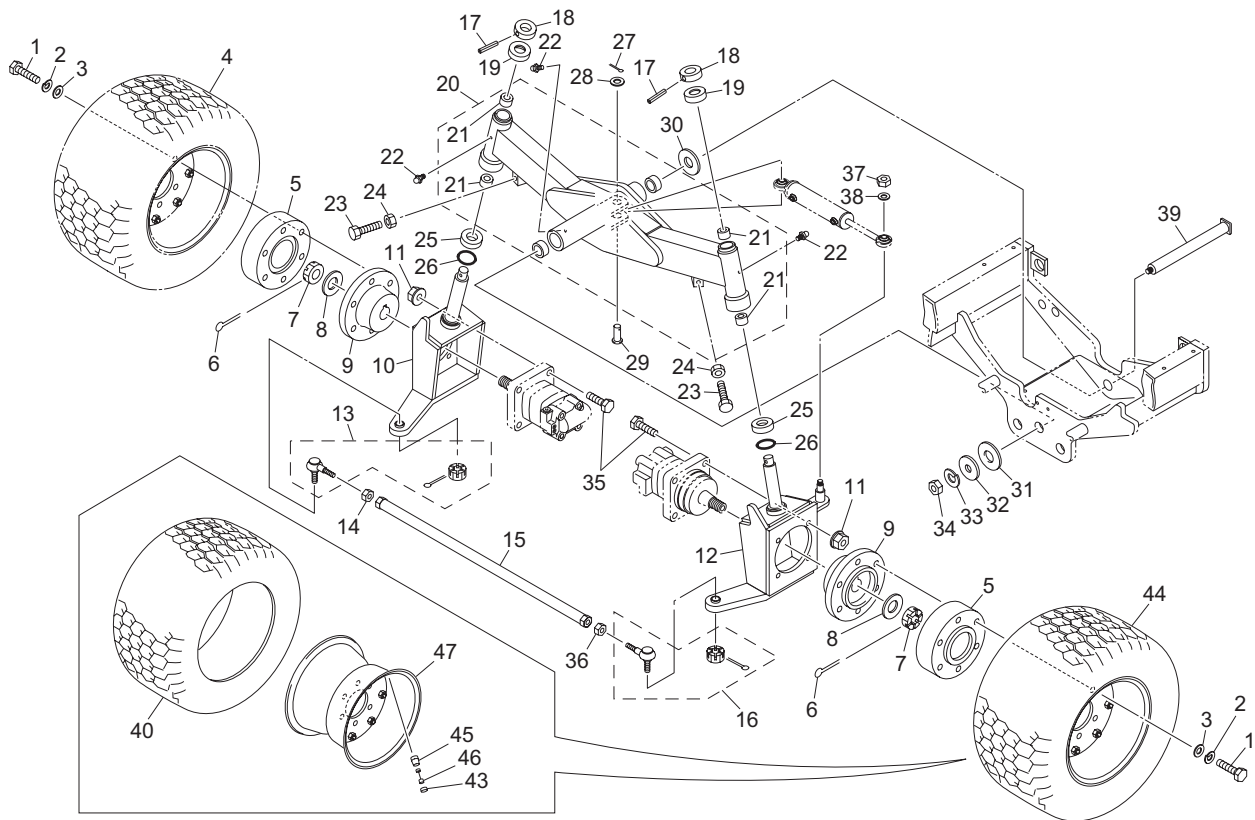


LM3210_010_a00

| Cat No. | Code No. | Part name | Qty | Remark | SN of application |
|---------|---------------|--|-----|--------|-------------------|
| 10-1 | K0014120652 | BOLT, HT P1.5 M12-65 | 12 | | |
| 10-2 | K0200120002 | WASHER, SPRING M12 | 12 | | |
| 10-3 | K5000120002 | WASHER, M12 | 12 | | |
| 10-4 | K2040000840 | TIRE ASSY, 20*12.00-10A | 2 | | |
| 10-5 | LM2700-0310ZD | SPACER, REAR WHEEL | 2 | | |
| 10-6 | K0300050452 | PIN, COTTER M5-45 | 2 | | |
| 10-7 | K0138240002 | NUT, HIGH SLOTTED P1.5 M24 | 2 | | |
| 10-8 | K5000240002 | WASHER, M24 | 2 | | |
| 10-9 | GM1500A0240AD | MOUNT, FRONT WHEEL 90 | 2 | | |
| 10-10 | LM2700-0303AD | KINGPIN, (R) | 1 | | |
| 10-11 | K0151120002 | NUT, FLANGED M12 | 8 | | |
| 10-12 | LM2700-0302AD | KINGPIN, (L) | 1 | | |
| 10-13 | K1610000020 | TIE-ROD END ASSY, MALE (R) | 1 | | |
| 10-14 | K0160000192 | NUT, SPECIAL P1.5 M17 | 1 | | |
| 10-15 | LM2700-0304ZD | ROD, TIE | 1 | | |
| 10-16 | K1611000020 | TIE-ROD END ASSY, LEFT-HANDED MALE (L) | 1 | | |
| 10-17 | K0320080501 | PIN, SPRING M8-50 | 2 | | |
| 10-18 | K6213000113 | COLLAR, WITH HOLE M25-50-20 | 2 | | |
| 10-19 | K6204000383 | CAP | 2 | | |
| 10-20 | GM2800-0302ZD | PIVOT | 1 | | |
| 10-21 | K6000000500 | BUSH, COPPER 22.3-26-20 | 4 | | |
| 10-22 | K1440000010 | GREASE NIPPLE, A TYPE | 3 | | |
| 10-23 | K0010120502 | BOLT, HT M12-50 | 2 | | |
| 10-24 | K0159000052 | NUT, SMALL M12 | 2 | | |
| 10-25 | K0640511070 | BEARING, BALL THRUST 51107 | 2 | | |
| 10-26 | K0880048000 | O-RING, P48 | 2 | | |
| 10-27 | K0300032402 | PIN, COTTER M3.2-40 | 1 | | |
| 10-28 | K5012320402 | WASHER, SPCC 2.3-20-40 | 1 | | |
| 10-29 | K6031200568 | PIN, FLAT HEAD HT M20-56 | 1 | | |
| 10-30 | K5051030500 | WASHER, C5191P 1-30-50 | 1 | | |

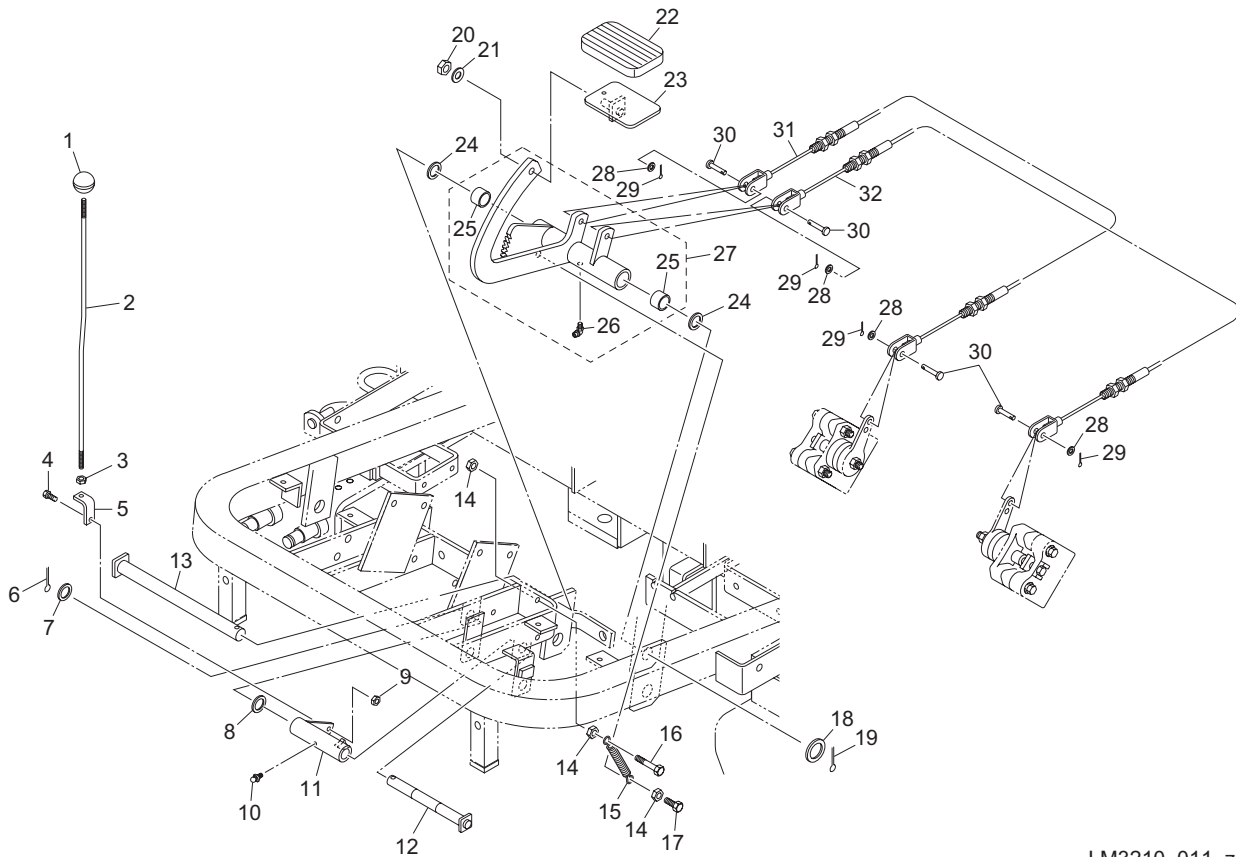
10.Rear wheel section

LM3210



LM3210_010_a00

| Cat No. | Code No. | Part name | Qty | Remark | SN of application |
|---------|-------------|-----------------------------------|-----|--------|-------------------|
| 10-31 | K5011030422 | WASHER, SPCC 1-30-42 | 1 | | |
| 10-32 | K5073216352 | WASHER, SPHC 3.2-16-35 | 1 | | |
| 10-33 | K0200160002 | WASHER, SPRING M16 | 1 | | |
| 10-34 | K0100160002 | NUT, M16 | 1 | | |
| 10-35 | K0000120452 | BOLT, M12-45 | 8 | | |
| 10-36 | K0160000202 | NUT, LEFT-HANDED SPECIAL P1.5 M17 | 1 | | |
| 10-37 | K0145140002 | NUT, WITH F-RING, P1.5 M14 | 1 | | |
| 10-38 | K0215140001 | WASHER, DISK SPRING H M14-2 | 1 | | |
| 10-39 | K7147000258 | SHAFT, WITH M16 THREAD 30316 | 1 | | |
| 10-40 | K2041000390 | TIRE, 20*12.0-10RS | 2 | | |
| 10-41 | | | | | |
| 10-42 | | | | | |
| 10-43 | K2093000010 | CAP, VALVE | 2 | | |
| 10a-44 | K2040000910 | TIRE ASSY, 20*12.00-10 | 2 | | |
| 10a-45 | K2097000010 | VALVE, RIM TR413 | 2 | | |
| 10a-46 | K2092000010 | CORE, VALVE NO.8000 | 2 | | |
| 10a-47 | K209000094D | WHEEL, 10*8.5 | 2 | | |
| | | | | | |
| | | | | | |
| | | | | | |

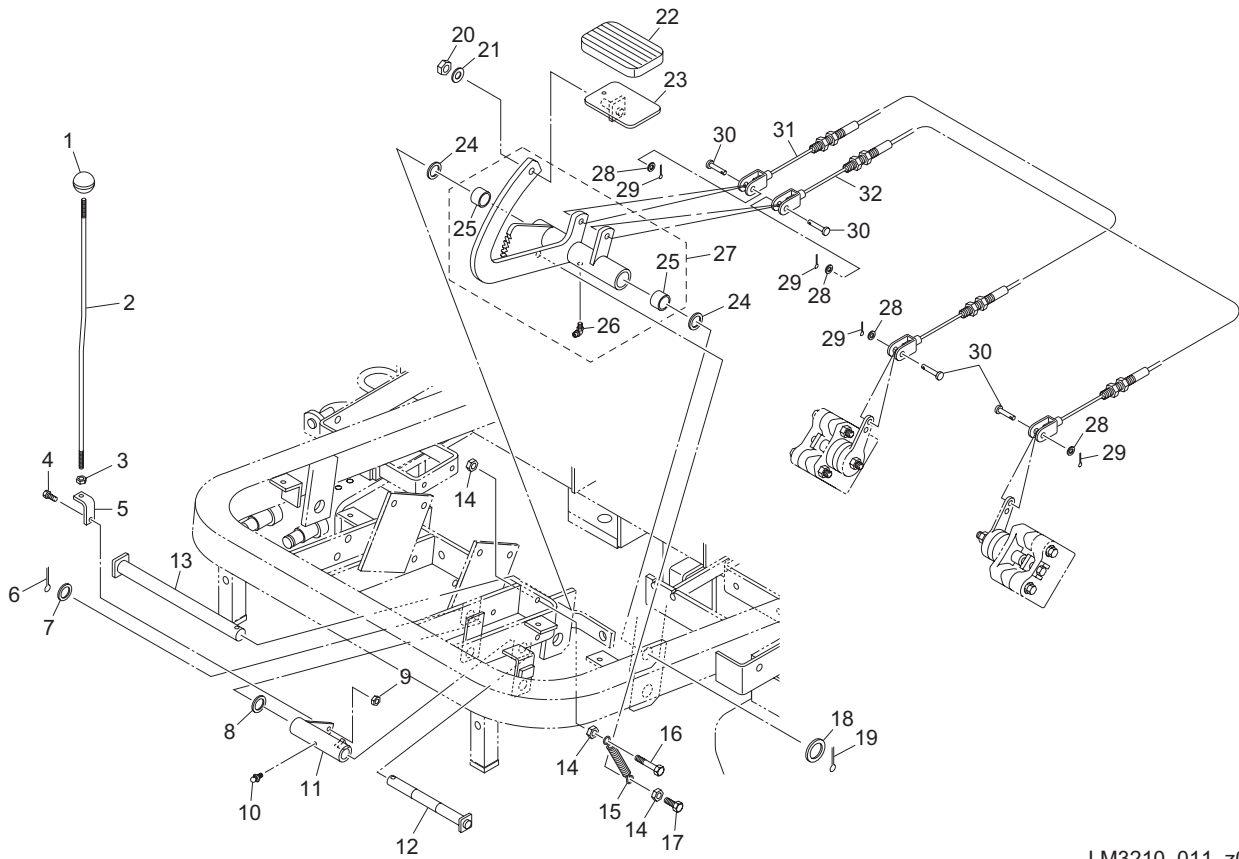


LM3210_011_z01

| Cat No. | Code No. | Part name | Qty | Remark | SN of application |
|---------|---------------|------------------------------------|-----|--------|-------------------|
| 11-1 | K1301000050 | GRIP, PLASTIC LEVER | 1 | | |
| 11-2 | LM2700-0407Z2 | SHAFT, LOCKING | 1 | | |
| 11-3 | K0100080002 | NUT, M8 | 1 | | |
| 11-4 | K0000060202 | BOLT, M6-20 | 1 | | |
| 11-5 | LM2700-0406ZD | ANGLE, LOCK SHAFT | 1 | | |
| 11-6 | K0300032252 | PIN, COTTER M3.2-25 | 1 | | |
| 11-7 | K5012316282 | WASHER, SPCC 2.3-16-28 | 1 | | |
| 11-8 | K5011016222 | WASHER, SPCC 1-16-22 | 2 | | |
| 11-9 | K0144060002 | NUT, WITH F-RING, M6 | 1 | | |
| 11-10 | K1440000010 | GREASE NIPPLE, A TYPE | 1 | | |
| 11-11 | LM2700-0404ZD | MOUNT, BRAKE SHAFT | 1 | | |
| 11-12 | LM2700-0410Z2 | SHAFT, BRAKE | 1 | | |
| 11-13 | LM2700-0411Z2 | SHAFT, PEDAL | 2 | | |
| 11-14 | K0100100002 | NUT, M10 | 3 | | |
| 11-15 | K1020000088 | SPRING, WITH ROUND HOOK M2.3-17-78 | 1 | | |
| 11-16 | K0003100502 | BOLT, M10-50 | 1 | | |
| 11-17 | K0000100202 | BOLT, M10-20 | 1 | | |
| 11-18 | K5012320402 | WASHER, SPCC 2.3-20-40 | 1 | | |
| 11-19 | K0300032402 | PIN, COTTER M3.2-40 | 1 | | |
| 11-20 | K0144100002 | NUT, WITH F-RING, M10 | 1 | | |
| 11-21 | K5000100002 | WASHER, M10 | 1 | | |
| 11-22 | K4050000050 | RUBBER, FOR PEDAL 70100 | 1 | | |
| 11-23 | LM2700-0409AD | PEDAL, A | 1 | | |
| 11-24 | K5051020320 | WASHER, C5191P 1-20-32 | 2 | | |
| 11-25 | K6000000280 | BUSH, 20-24-20 | 2 | | |
| 11-26 | K1440000020 | GREASE NIPPLE, C | 1 | | |
| 11-27 | LM3200-0401ZD | PEDAL, BRAKE | 1 | | |
| 11-28 | K5000080002 | WASHER, M8 | 4 | | |
| 11-29 | K0300020202 | PIN, COTTER M2-20 | 4 | | |
| 11-30 | K6031080222 | PIN, FLAT HEAD HT M8-22 | 4 | | |

11. Pedal section A

LM3210

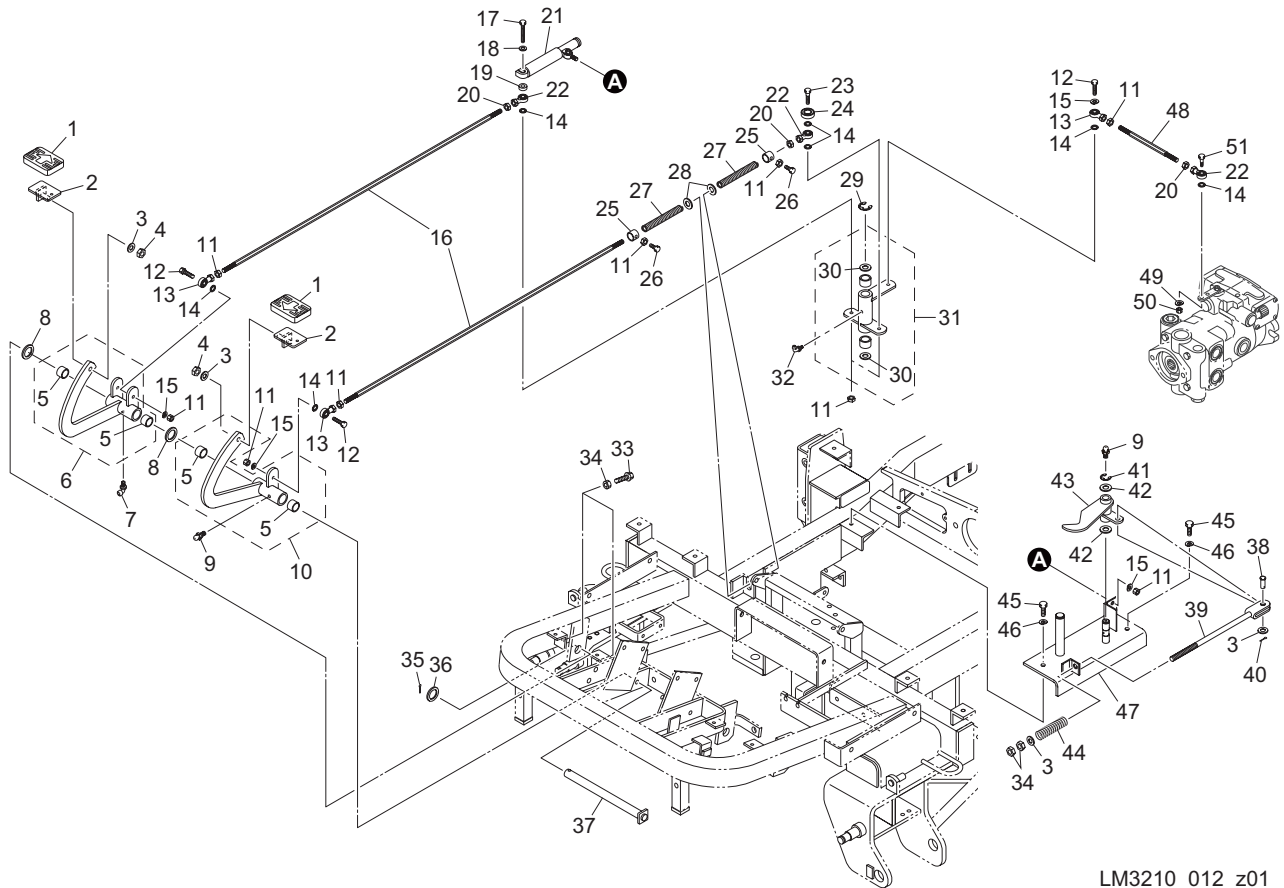


LM3210_011_z01

| Cat No. | Code No. | Part name | Qty | Remark | SN of application |
|---------|-------------|------------------|-----|--------|-------------------|
| 11-31 | K1120238000 | WIRE, BRAKE 2380 | 1 | | |
| 11-32 | K1120205500 | WIRE, BRAKE 2055 | 1 | | |
| | | | | | |
| | | | | | |
| | | | | | |
| | | | | | |
| | | | | | |
| | | | | | |
| | | | | | |

12.Pedal section B

LM3210

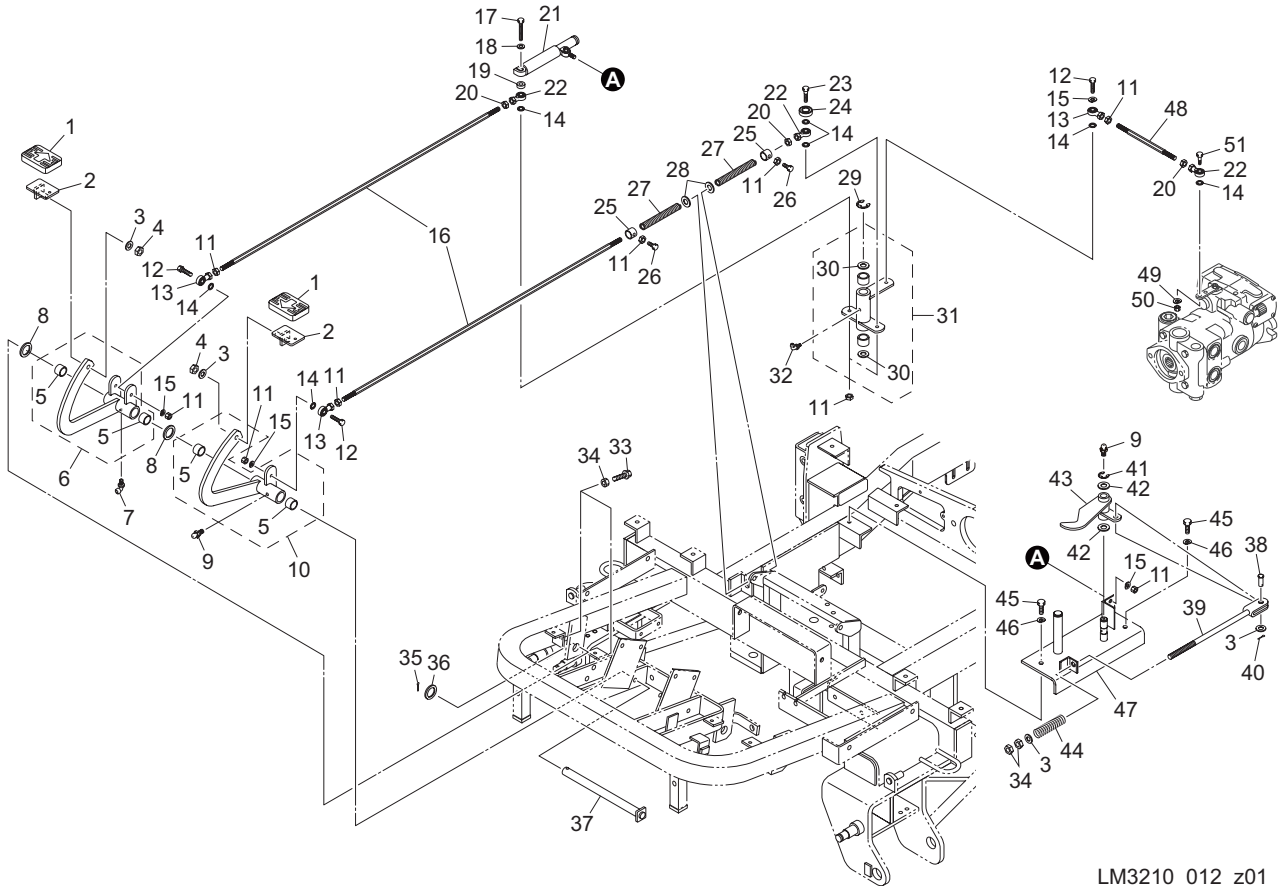


LM3210_012_z01

| Cat No. | Code No. | Part name | Qty | Remark | SN of application |
|---------|---------------|-------------------------------|-----|--------|-------------------|
| 12-1 | LM2700-0420Z0 | RUBBER, PEDAL 5575 | 2 | | |
| 12-2 | LM2700-0408AD | PEDAL, B | 2 | 10018~ | |
| 12-3 | K5000100002 | WASHER, M10 | 4 | | |
| 12-4 | K0144100002 | NUT, WITH F-RING, M10 | 2 | | |
| 12-5 | K6000000280 | BUSH, 20-24-20 | 4 | | |
| 12-6 | LM2700-0402AD | PEDAL, BACKWARD | 1 | | |
| 12-7 | K1440000020 | GREASE NIPPLE, C | 1 | | |
| 12-8 | K5051020320 | WASHER, C5191P 1-20-32 | 2 | | |
| 12-9 | K1440000010 | GREASE NIPPLE, A TYPE | 2 | | |
| 12-10 | GM2800-0406AD | PEDAL, FORWARD | 1 | | |
| 12-11 | K0100080002 | NUT, M8 | 9 | | |
| 12-12 | K0000080302 | BOLT, M8-30 | 3 | | |
| 12-13 | K1601080000 | JOINT, SPHERICAL PHS8 | 3 | | |
| 12-14 | K5073208202 | WASHER, SPHC 3.2-8-20 | 7 | | |
| 12-15 | K0200080002 | WASHER, SPRING M8 | 4 | | |
| 12-16 | LM2700-0415Z2 | ROD, THREADED 875 | 2 | | |
| 12-17 | K0003080552 | BOLT, M8-55 | 1 | | |
| 12-18 | K5000080002 | WASHER, M8 | 1 | | |
| 12-19 | K6212003262 | COLLAR, STKM M8.5-14-8 | 1 | | |
| 12-20 | K0180080002 | NUT, LEFT-HANDED M8 | 3 | | |
| 12-21 | K3380000010 | DAMPER, FOR LEVER | 1 | | |
| 12-22 | K16010800L0 | JOINT, SPHERICAL PHS8LA | 3 | | |
| 12-23 | LM2700-0418Z2 | BOLT, SPECIAL WITH M8 | 1 | | |
| 12-24 | K0608006290 | BEARING, BALL SEAL 2RS 629 | 1 | | |
| 12-25 | K6218000012 | COLLAR, TAPPED M12-22-20 | 2 | | |
| 12-26 | K0000080202 | BOLT, M8-20 | 2 | | |
| 12-27 | K1000000558 | SPRING, COMPRESSION M2-18-100 | 2 | | |
| 12-28 | K5000120002 | WASHER, M12 | 2 | | |
| 12-29 | K0400015002 | RING, RETAINING E M15 | 1 | | |
| 12-30 | K5011020472 | WASHER, SPCC 1-20-47 | 2 | | |

12.Pedal section B

LM3210

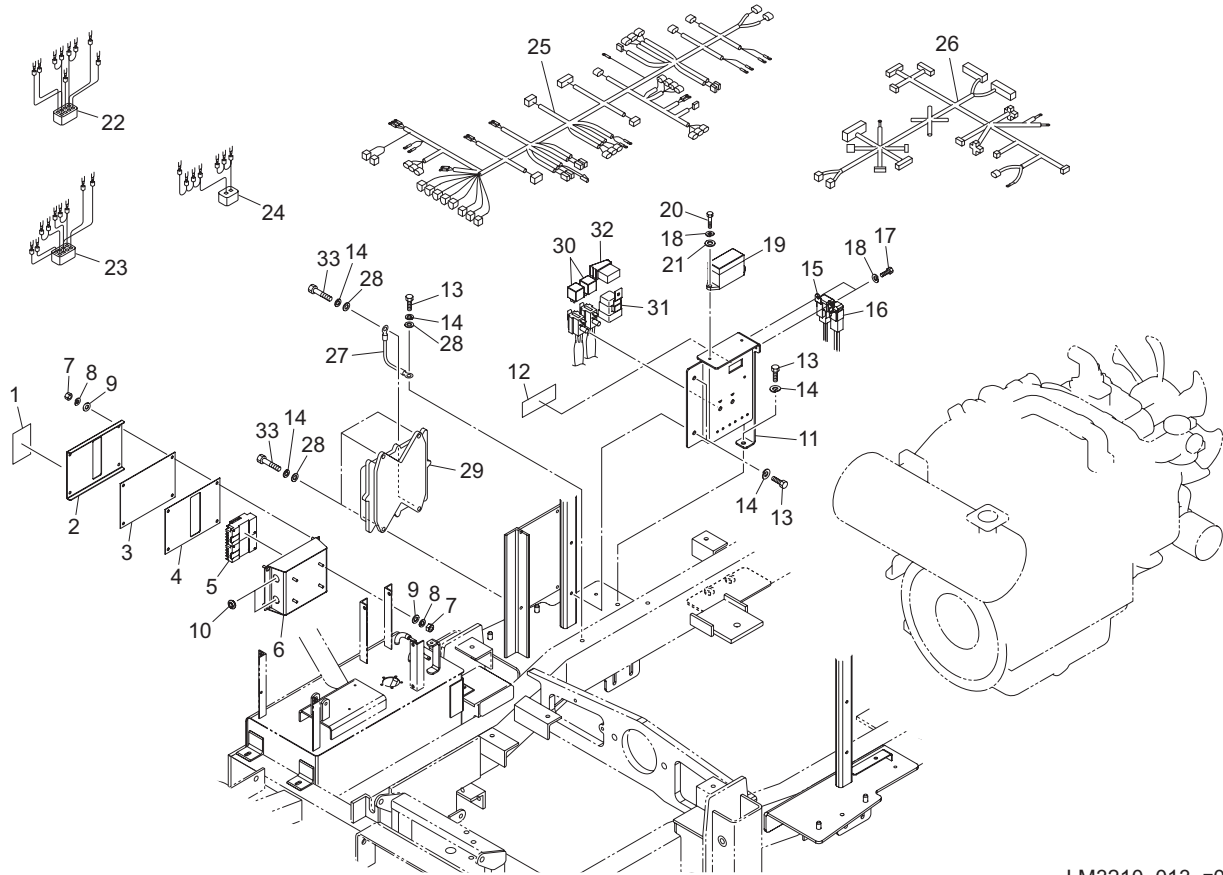


LM3210_012_z01

| Cat No. | Code No. | Part name | Qty | Remark | SN of application |
|---------|---------------|----------------------------------|-----|--------|-------------------|
| 12-31 | LM2700-0413Z2 | LEVER, CONTROLING PUMP | 1 | | |
| 12-32 | K1440000030 | GREASE NIPPLE, B | 1 | | |
| 12-33 | K0000100352 | BOLT, M10-35 | 2 | | |
| 12-34 | K0100100002 | NUT, M10 | 4 | | |
| 12-35 | K0300032402 | PIN, COTTER M3.2-40 | 1 | | |
| 12-36 | K5012320402 | WASHER, SPCC 2.3-20-40 | 1 | | |
| 12-37 | LM2700-0411Z2 | SHAFT, PEDAL | 1 | | |
| 12-38 | K6031100258 | PIN, FLAT HEAD HT M10-25 | 1 | | |
| 12-39 | LM2700-0419Z2 | ADJUSTER, LEVER | 1 | | |
| 12-40 | K0300025202 | PIN, COTTER M2.5-20 | 1 | | |
| 12-41 | K0400012002 | RING, RETAINING E M12 | 1 | | |
| 12-42 | K5011016222 | WASHER, SPCC 1-16-22 | 2 | | |
| 12-43 | LM2700-0412Z2 | LEVER, NEUTRALIZING PUMP | 1 | | |
| 12-44 | K100000082D | SPRING, COMPRESSION M2.6-17.2-70 | 1 | | |
| 12-45 | K0000100152 | BOLT, M10-15 | 2 | | |
| 12-46 | K0200100002 | WASHER, SPRING M10 | 2 | | |
| 12-47 | LM2700-0414Z2 | FITTING, NEUTRALIZING PUMP | 1 | | |
| 12-48 | LM2700-0416Z2 | ROD, THREADED 170 | 1 | | |
| 12-49 | K0200060002 | WASHER, SPRING M6 | 1 | | |
| 12-50 | K0100060002 | NUT, M6 | 1 | | |
| 12-51 | LM2700-0417Z2 | BOLT, SPECIAL WITH M6 | 1 | | |

13.Engine section A

LM3210

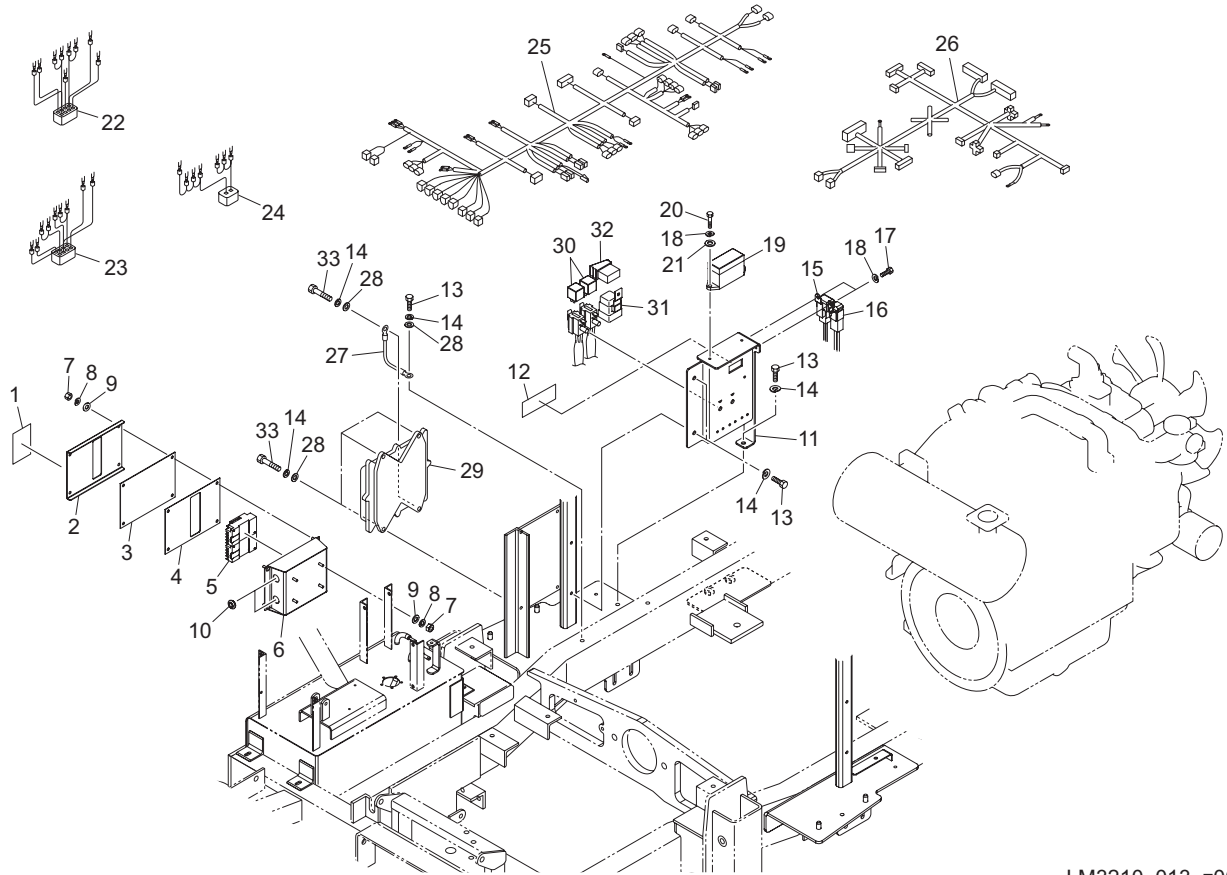


LM3210_013_z00

| Cat No. | Code No. | Part name | Qty | Remark | SN of application |
|---------|---------------|------------------------------|-----|--------|-------------------|
| 13-1 | LM3210-0502Z0 | LABEL, RELAY | 1 | | |
| 13-2 | GM2800-0519ZD | COVER, BOX | 1 | | |
| 13-3 | GM2800-0518Z0 | BOARD, ACRYLIC M 1.5-134189 | 1 | | |
| 13-4 | GM2800-0517Z0 | PACKING, RUBBER 1-134189 | 1 | | |
| 13-5 | K3680000030 | RELAY BOX, G6B-4CB | 2 | | |
| 13-6 | GM2800-0570ZD | BOX, RELAY | 1 | | |
| 13-7 | K0100050002 | NUT, M5 | 8 | | |
| 13-8 | K0200050002 | WASHER, SPRING M5 | 8 | | |
| 13-9 | K5000050002 | WASHER, M5 | 8 | | |
| 13-10 | K0900300200 | GROMMET, W/SEALING C30SG20A | 2 | | |
| 13-11 | GM2810-0506ZD | MOUNT, ELECTRIC COMPONENT | 1 | | |
| 13-12 | K4203001590 | LABEL, LAPPING | 1 | | |
| 13-13 | K0000080152 | BOLT, M8-15 | 4 | | |
| 13-14 | K0200080002 | WASHER, SPRING M8 | 4 | | |
| 13-15 | K3630000160 | FUSE BLOCK, FUSIBLE LINK 30A | 1 | | |
| 13-16 | K3630000150 | FUSE BLOCK, FUSIBLE LINK 50A | 1 | | |
| 13-17 | K0000060102 | BOLT, M6-10 | 2 | | |
| 13-18 | K0200060002 | WASHER, SPRING M6 | 4 | | |
| 13-19 | K3630000090 | FUSE BLOCK, MINI 10P-A | 1 | | |
| 13-20 | K0000060302 | BOLT, M6-30 | 2 | | |
| 13-21 | K5000060002 | WASHER, M6 | 2 | | |
| 13-22 | LM3200-0504Z0 | WIRE, RELAY A | 1 | | |
| 13-23 | LM3200-0505Z0 | WIRE, RELAY B | 1 | | |
| 13-24 | LM3200-0506Z0 | WIRE, RELAY C | 1 | | |
| 13-25 | LM3210-0501Z0 | HARNESS, MAIN | 1 | | |
| 13-26 | GM2810-0507Z0 | HARNESS, MEDIUM | 1 | | |
| 13-27 | K3620001000 | WIRE, TO EARTH AV3-150 | 1 | | |
| 13-28 | K5000080002 | WASHER, M8 | 5 | | |
| 13-29 | 1H432-60201 | ECU ASSY | 1 | | |
| 13-30 | 1J423-60231 | RELAY | 2 | | |

13.Engine section A

LM3210

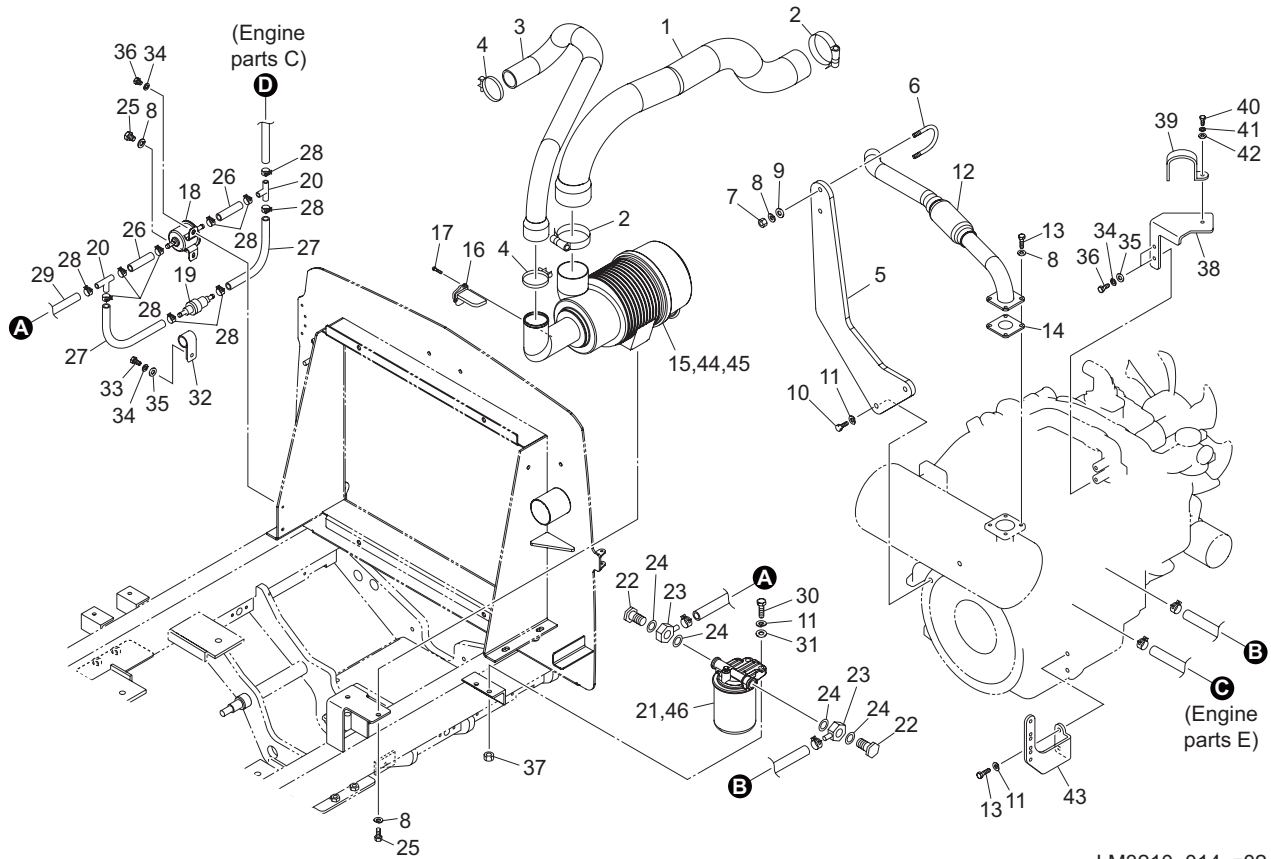


LM3210_013_z00

| Cat No. | Code No. | Part name | Qty | Remark | SN of application |
|---------|-------------|--------------------|-----|--------|-------------------|
| 13-31 | RP421-53731 | RELAY | 1 | | |
| 13-32 | K3661000070 | SWITCH, ROCKER RED | 1 | | |
| 13-33 | K0000080202 | BOLT, M8-20 | 4 | | |
| | | | | | |
| | | | | | |
| | | | | | |
| | | | | | |
| | | | | | |
| | | | | | |

14.Engine section B

LM3210

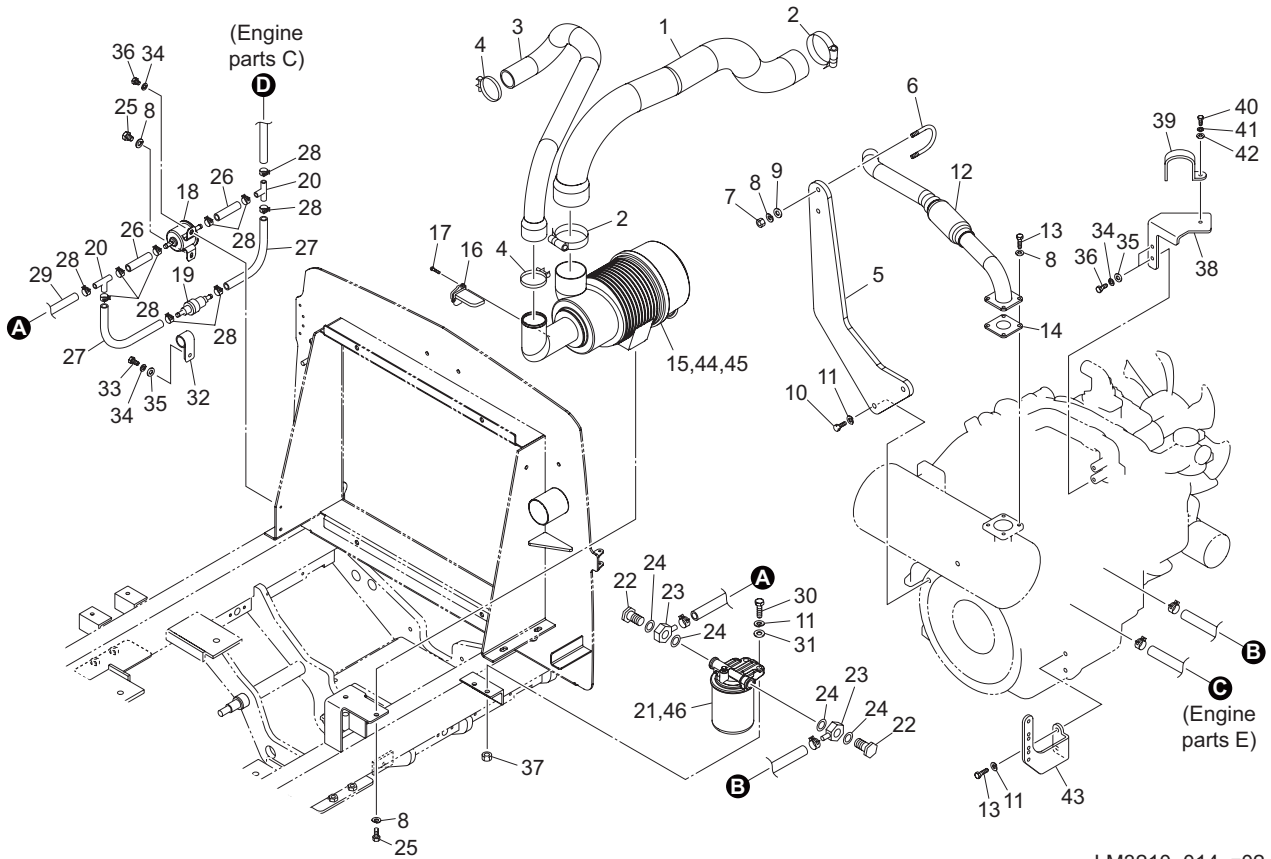


LM3210_014_z02

| Cat No. | Code No. | Part name | Qty | Remark | SN of application |
|---------|----------------|---------------------------|-----|--------|-------------------|
| 14-1 | GM2810-0509Z0 | HOSE, SUCTION A | 1 | | |
| 14-2 | K4261056000 | CLAMP, HOSE PARKER 54-100 | 2 | | |
| 14-3 | GM2810-0510Z0 | HOSE, AIR CLEANER B | 1 | | |
| 14-4 | K4261044000 | CLAMP, HOSE PARKER 29-76 | 2 | | |
| 14-5 | GM2810-0504ZD | STAY, MUFFLER | 1 | | |
| 14-6 | K0073000052 | BOLT, WITH F-RING, M8-40A | 1 | | |
| 14-7 | K0100080002 | NUT, M8 | 2 | | |
| 14-8 | K0200080002 | WASHER, SPRING M8 | 9 | | |
| 14-9 | K5000080002 | WASHER, M8 | 2 | | |
| 14-10 | K0000100252 | BOLT, M10-25 | 2 | | |
| 14-11 | K0200100002 | WASHER, SPRING M10 | 4 | | |
| 14-12 | GM2810-0505ZU | PIPE, TAIL | 1 | | |
| 14-13 | K0000080202 | BOLT, M8-20 | 4 | | |
| 14-14 | PF17326-1223-1 | PACKING, EXHAUST PIPE | 1 | | |
| 14-15 | PF1K987-1101-0 | AIR CLEANER ASSY | 1 | | |
| 14-16 | PF1J520-1070-1 | SENSOR | 1 | | |
| 14-17 | PF03054-50412 | SCREW, ROUND HEAD | 2 | | |
| 14-18 | PFR1401-5135-2 | PUMP ASSY, FUEL | 1 | | |
| 14-19 | PF1G911-4246-1 | VALVE | 1 | | |
| 14-20 | PF3N600-4217-1 | CONNECTOR | 2 | | |
| 14-21 | PF1J456-4301-0 | FILTER ASSY | 1 | | |
| 14-22 | PF16541-9579-1 | BOLT, COUPLING | 2 | | |
| 14-23 | PF15401-9569-2 | JOINT, PIPING | 2 | | |
| 14-24 | PF17105-3368-2 | PACKING | 4 | | |
| 14-25 | K0000080152 | BOLT, M8-15 | 3 | | |
| 14-26 | K3180000500 | HOSE, FUEL 8*1B-50 | 2 | | |
| 14-27 | K3180001200 | HOSE, FUEL 8*1B-120 | 2 | | |
| 14-28 | K4260000172 | CLAMP, HOSE KS-11-19 | 10 | | |
| 14-29 | K3180010700 | HOSE, FUEL 8*1B-1070 | 1 | | |
| 14-30 | K0000100352 | BOLT, M10-35 | 2 | | |

14.Engine section B

LM3210

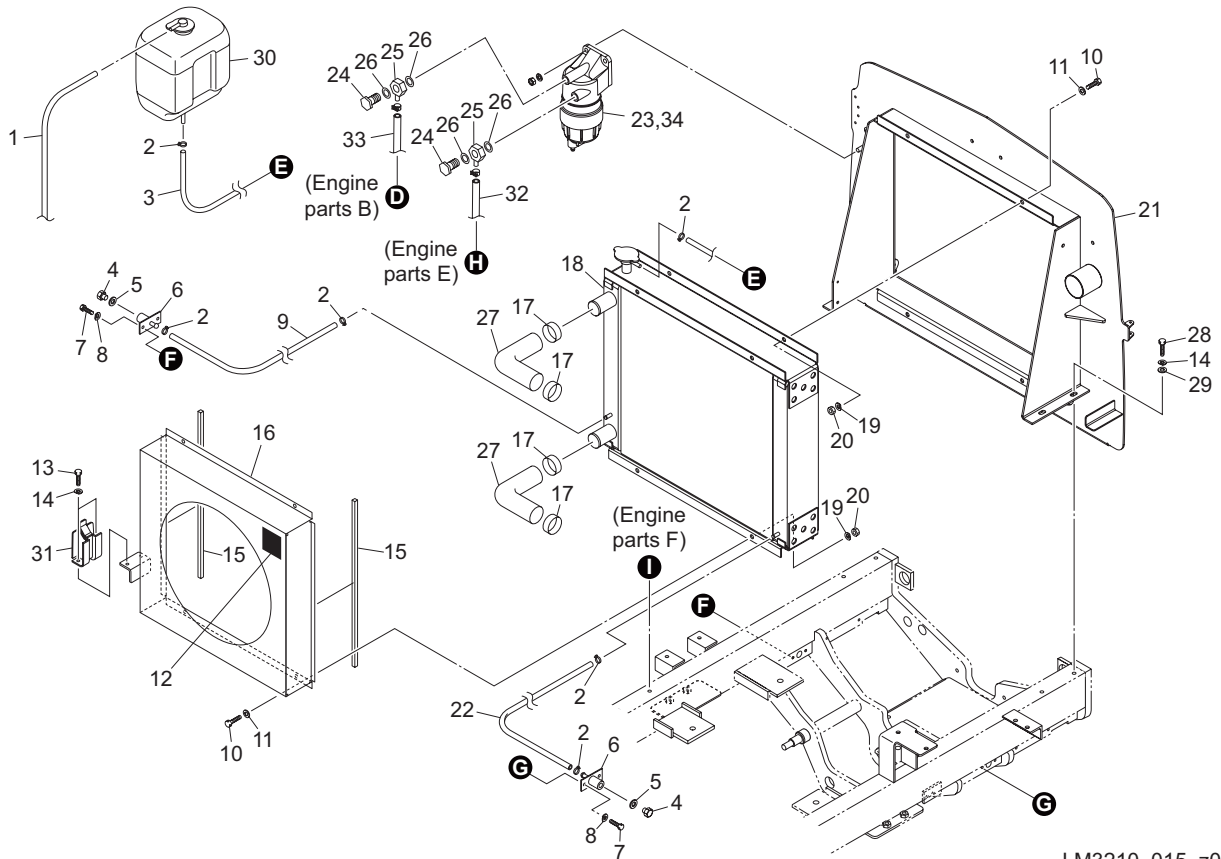


LM3210_014_z02

| Cat No. | Code No. | Part name | Qty | Remark | SN of application |
|---------|----------------|----------------------------|-----|--------|-------------------|
| 14-31 | K5000100002 | WASHER, M10 | 2 | | |
| 14-32 | K4270022060 | CLIP, HARNESS 22 M6 | 1 | | |
| 14-33 | K0000060202 | BOLT, M6-20 | 1 | | |
| 14-34 | K0200060002 | WASHER, SPRING M6 | 2 | | |
| 14-35 | K5000060002 | WASHER, M6 | 1 | | |
| 14-36 | K0000060152 | BOLT, M6-15 | 1 | | |
| 14-37 | K0100100002 | NUT, M10 | 2 | | |
| 14-38 | GM2810-0512Z2 | BRACKET, HOSE | 1 | | |
| 14-39 | K4260000252 | CLAMP, HOSE SBKNS54 | 1 | | |
| 14-40 | K0000050102 | BOLT, M5-10 | 1 | | |
| 14-41 | K0200050002 | WASHER, SPRING M5 | 1 | | |
| 14-42 | K5000050002 | WASHER, M5 | 1 | | |
| 14-43 | GM2810-0513Z2 | BRACKET, MEDIUM HARNESS | 1 | | |
| 14-44 | PF59800-2611-0 | AIR CLEANER ELEMENT ASSY | 1 | | |
| 14-45 | PF3A111-1913-0 | AIR CLEANER ELEMENT(INNER) | 1 | | |
| 14-46 | PF1J521-4317-0 | FILTER CARTRIDGE | 1 | | |
| | | | | | |
| | | | | | |

15.Engine section C

LM3210

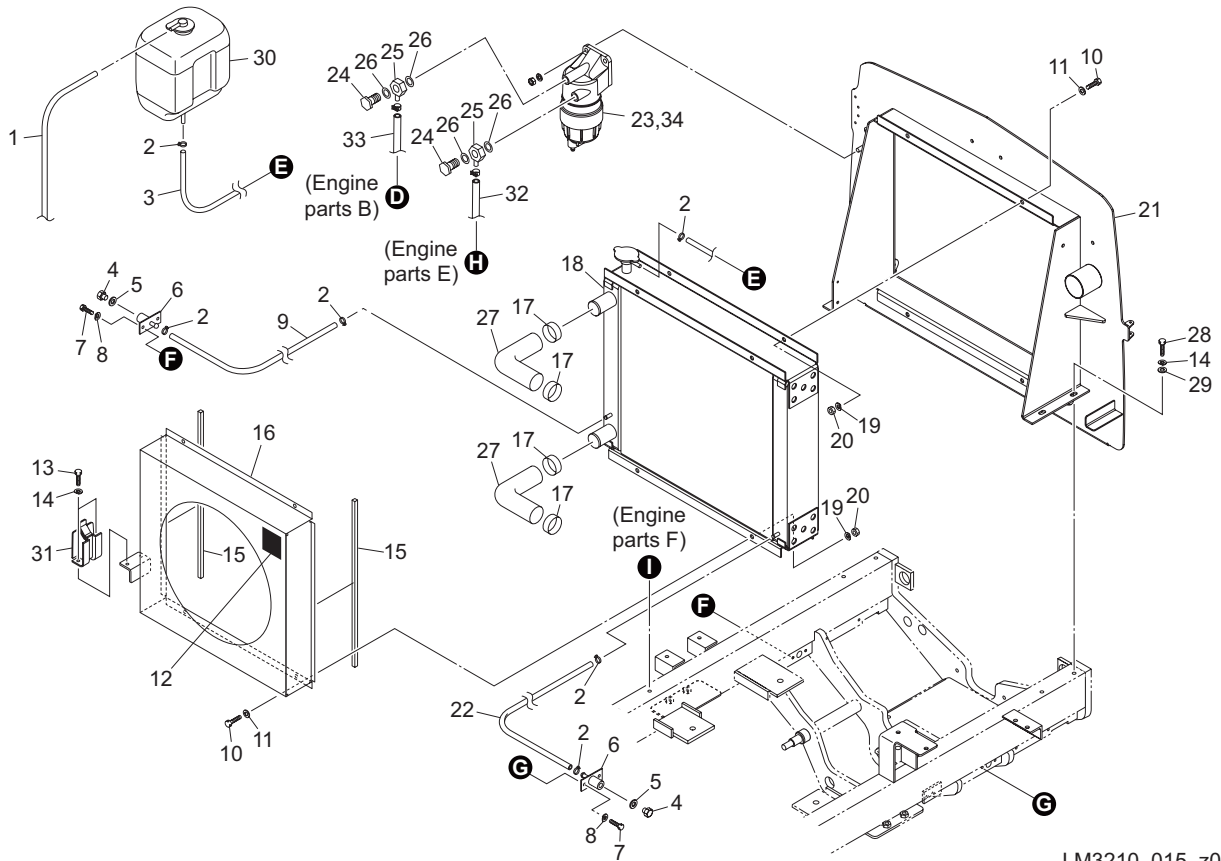


LM3210_015_z01

| Cat No. | Code No. | Part name | Qty | Remark | SN of application |
|---------|----------------|-----------------------------------|-----|--------|-------------------|
| 15-1 | GM2800-0528Z0 | HOSE, DRAIN 700 | 1 | | |
| 15-2 | K4260000150 | CLAMP, HOSE 12 | 6 | | |
| 15-3 | GM2800-0527Z0 | HOSE, DRAIN 950 | 1 | | |
| 15-4 | LM2700-0563Z0 | PLUG, DRAIN | 2 | | |
| 15-5 | LM2700-0562Z0 | PACKING | 2 | | |
| 15-6 | LM2700-0561Z2 | JOINT | 2 | | |
| 15-7 | K0000060152 | BOLT, M6-15 | 4 | | |
| 15-8 | K0200060002 | WASHER, SPRING M6 | 4 | | |
| 15-9 | GM2800-0562Z0 | HOSE, DRAIN 450 | 1 | | |
| 15-10 | K0000100202 | BOLT, M10-20 | 8 | | |
| 15-11 | K5000100002 | WASHER, M10 | 8 | | |
| 15-12 | K4205001530 | DECAL, CAUTION TO ROTATING OBJECT | 1 | | |
| 15-13 | K0000080152 | BOLT, M8-15 | 2 | | |
| 15-14 | K0200080002 | WASHER, SPRING M8 | 6 | | |
| 15-15 | K4220000230 | SPONGE, URETHAN 10-10-500 | 2 | | |
| 15-16 | GM2800-0567ZD | SHROUD | 1 | | |
| 15-17 | K4260000200 | CLAMP, HOSE JUBILEE BAND 2A | 4 | | |
| 15-18 | GM2800-0569Z0 | RADIATOR COMP | 1 | | |
| 15-19 | K0200100002 | WASHER, SPRING M10 | 8 | | |
| 15-20 | K0100100002 | NUT, M10 | 8 | | |
| 15-21 | GM2810-0502ZD | FRAME, MOUNTING RADIATOR | 1 | | |
| 15-22 | GM2800-0526Z0 | HOSE, DRAIN 300 | 1 | | |
| 15-23 | PF1K987-43351 | FILTER ASSY | 1 | | |
| 15-24 | PF16541-9579-1 | BOLT, COUPLING | 2 | | |
| 15-25 | PF15401-9569-2 | JOINT, PIPING | 2 | | |
| 15-26 | PF17105-3368-2 | PACKING | 4 | | |
| 15-27 | PFR1401-42363 | HOSE | 2 | | |
| 15-28 | K0000080202 | BOLT, M8-20 | 4 | | |
| 15-29 | K5000080002 | WASHER, M8 | 4 | | |
| 15-30 | PF15501-7240-4 | TANK ASSY, RESERVE | 1 | | |

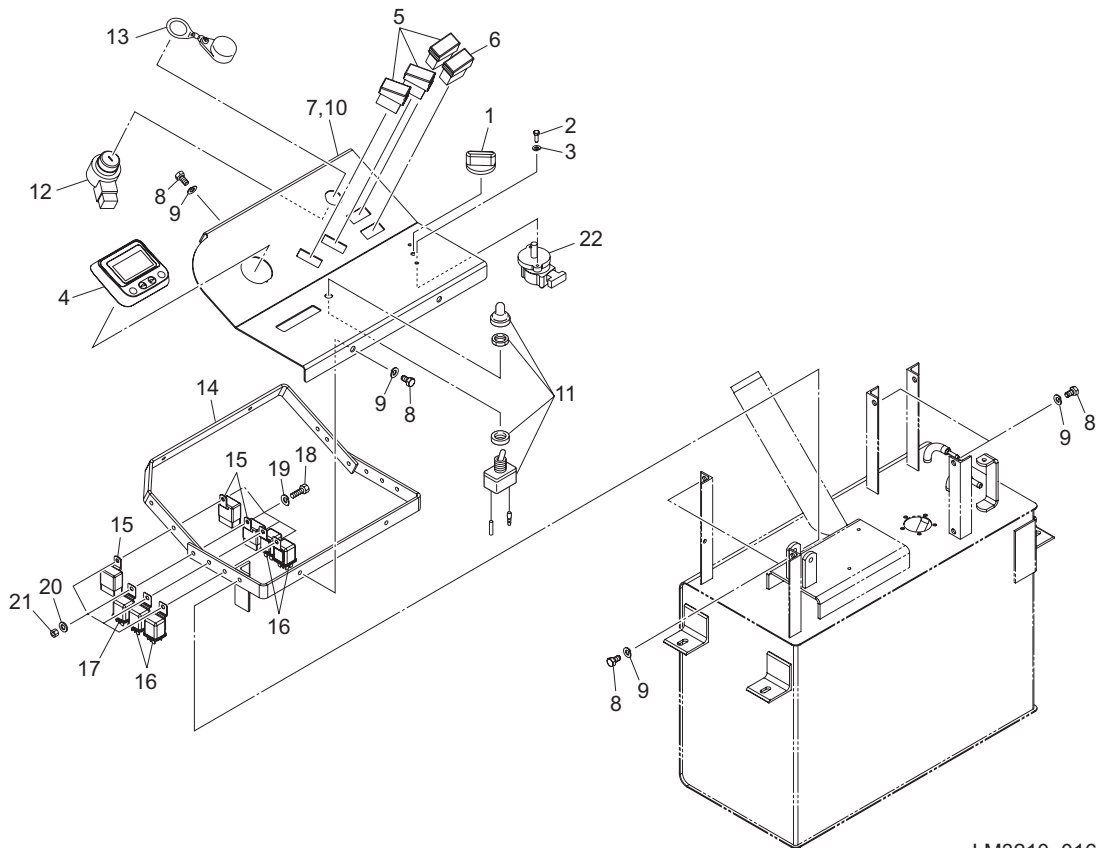
15.Engine section C

LM3210



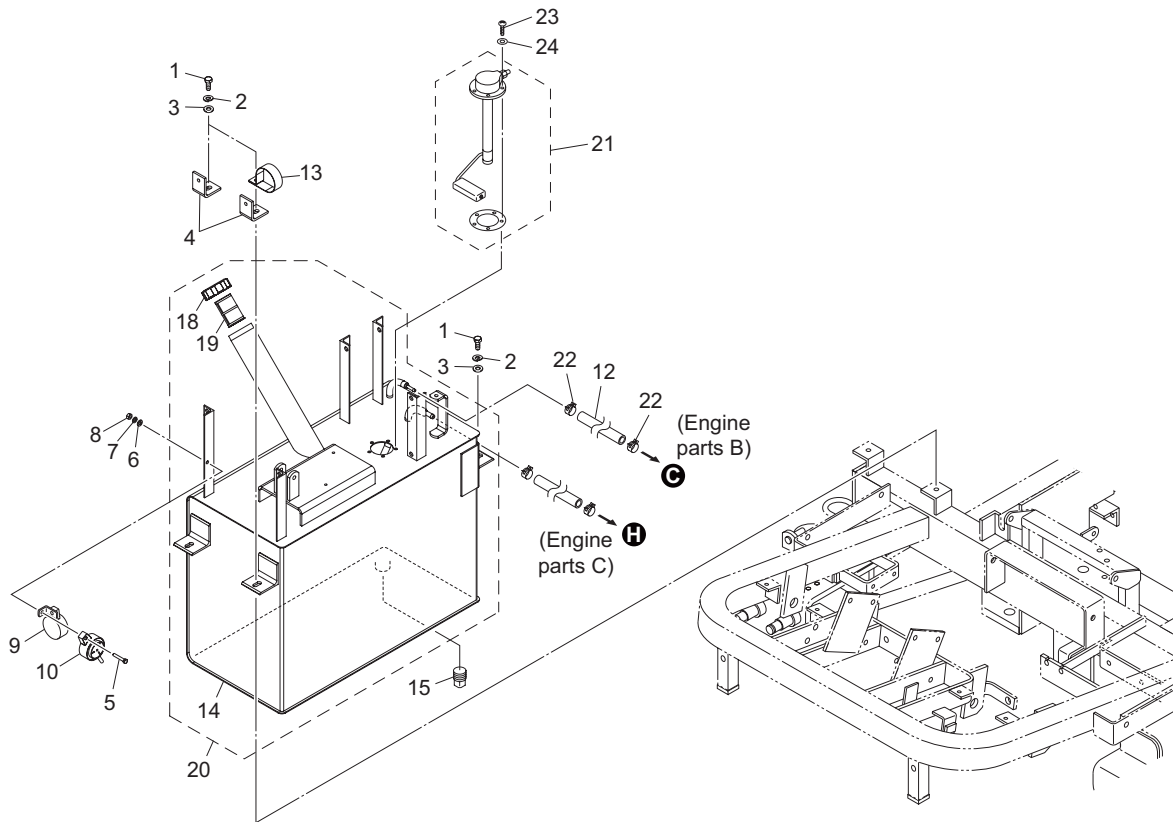
LM3210_015_z01

| Cat No. | Code No. | Part name | Qty | Remark | SN of application |
|---------|----------------|----------------------|-----|--------|-------------------|
| 15-31 | PF15521-7246-2 | STAY, RESERVE TANK | 1 | | |
| 15-32 | K3180018600 | HOSE, FUEL 8*1B-1860 | 1 | | |
| 15-33 | K3180002500 | HOSE, FUEL 8*1B-250 | 1 | | |
| 15-34 | PF1J520-4306-0 | ELEMENT ASSY, FILTER | 1 | | |
| | | | | | |
| | | | | | |
| | | | | | |
| | | | | | |
| | | | | | |
| | | | | | |



LM3210_016_z01

| Cat No. | Code No. | Part name | Qty | Remark | SN of application |
|---------|----------------|----------------------------------|-----|--------|-------------------|
| 16-1 | | | | | |
| 16-2 | K0042050152 | SCREW, + ROUND HEAD M5-15 | 2 | | |
| 16-3 | K0200050002 | WASHER, SPRING M5 | 2 | | |
| 16-4 | K3655000010 | DISPLAY UNIT, PV101-C | 1 | | |
| 16-5 | K3661000050 | SWITCH, ROCKER | 3 | | |
| 16-6 | K3661000100 | SWITCH, ROCKER M | 1 | | |
| 16-7 | LM3210-0901Z0 | DECAL, OPERATION | 1 | | |
| 16-8 | K0000080152 | BOLT, M8-15 | 8 | | |
| 16-9 | K0200080002 | WASHER, SPRING M8 | 8 | | |
| 16-10 | GM2810-0902ZD | FRAME, COVER | 1 | | |
| 16-11 | K3662000100 | SWITCH, TOGGLE FOR LAMP WD101181 | 1 | | |
| 16-12 | PF15248-6359-0 | SWITCH ASSY, STARTER | 1 | | |
| 16-13 | PF54611-4112-0 | CAP, STARTER SWITCH | 1 | | |
| 16-14 | GM2810-0904ZD | FRAME, MOUNTING METER | 1 | | |
| 16-15 | K3681000010 | RELAY, CA1-DC12V-N | 3 | | |
| 16-16 | K3681000070 | RELAY, MR5A411A1K | 4 | | |
| 16-17 | K3681000080 | RELAY, MR5A602A1K | 1 | | |
| 16-18 | K0000060202 | BOLT, M6-20 | 4 | | |
| 16-19 | K0200060002 | WASHER, SPRING M6 | 4 | | |
| 16-20 | K5000060002 | WASHER, M6 | 4 | | |
| 16-21 | K0100060002 | NUT, M6 | 4 | | |
| 16-22 | K3691000020 | POTENTIOMETER,WCS-135118 | 1 | 10021- | |
| | | | | | |

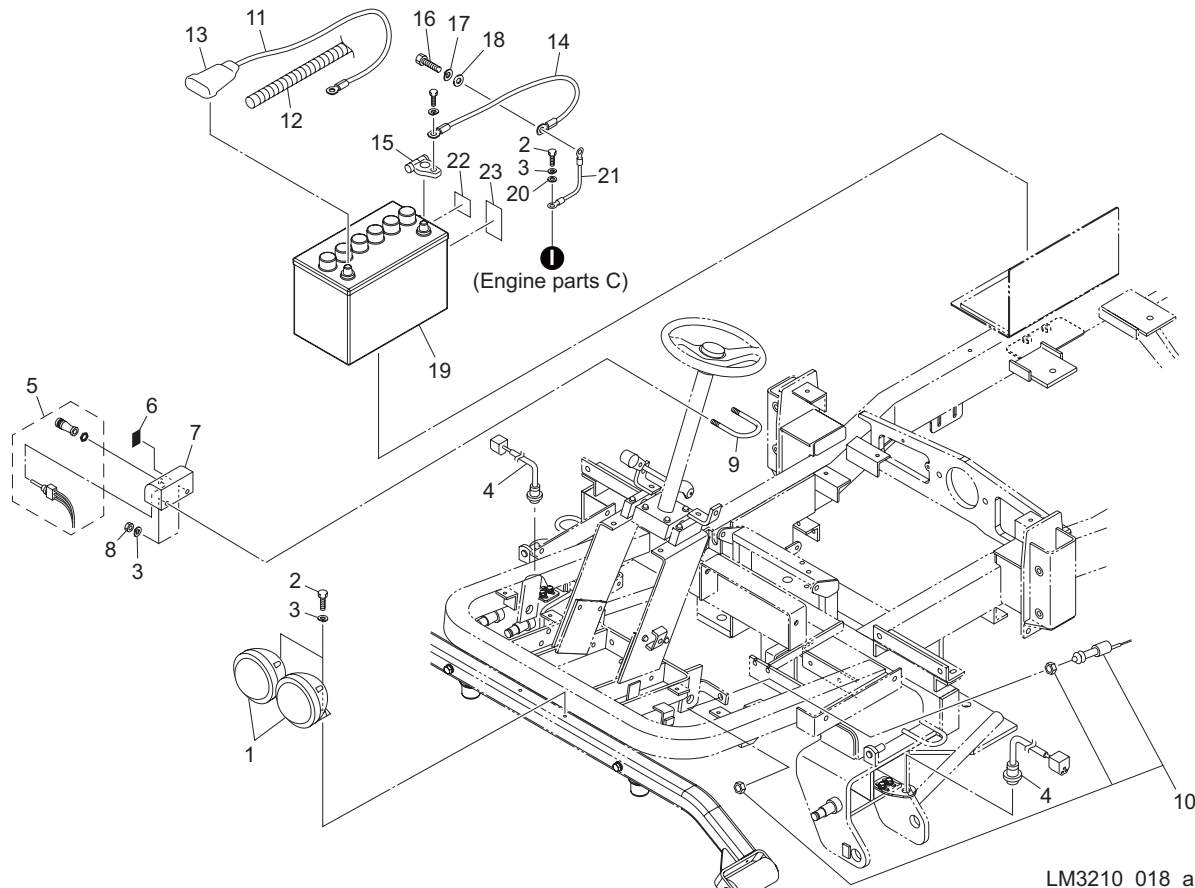


LM3210_017_z01

| Cat No. | Code No. | Part name | Qty | Remark | SN of application |
|---------|---------------|------------------------------------|-----|--------|-------------------|
| 17-1 | K0000080202 | BOLT, M8-20 | 4 | | |
| 17-2 | K0200080002 | WASHER, SPRING M8 | 4 | | |
| 17-3 | K5000080002 | WASHER, M8 | 4 | | |
| 17-4 | LM2700-0950ZD | BRACKET, SIDE COVER | 2 | | |
| 17-5 | K0000050302 | BOLT, M5-30 | 1 | | |
| 17-6 | K5000050002 | WASHER, M5 | 1 | | |
| 17-7 | K0200050002 | WASHER, SPRING M5 | 1 | | |
| 17-8 | K0100050002 | NUT, M5 | 1 | | |
| 17-9 | K3700000030 | BUZZER, EBS-12 WITH STAY | 1 | | |
| 17-10 | K3700000010 | BUZZER, EBM-12 TYPE | 1 | | |
| 17-11 | | | | | |
| 17-12 | K3180019000 | HOSE, FUEL 8*1B1900 | 1 | | |
| 17-13 | K4270022060 | CLIP, HARNESS 22 M6 | 1 | | |
| 17-14 | GM2810-0702AD | TANK, FUEL | 1 | | |
| 17-15 | K1422106001-Y | PLUG, TAPER WITH HEX. HOLE T1, 3/8 | 1 | | |
| 17-16 | | | | | |
| 17-17 | | | | | |
| 17-18 | K1410000120 | PLUG, FUEL TANK | 1 | | |
| 17-19 | K3420000080 | STRAINER, FUEL | 1 | | |
| 17-20 | GM2810-0703Z0 | TANK ASSY, FUEL W/ CAP | 1 | | |
| 17-21 | GM2810-0704Z0 | SENDER, FUEL 227*198 | 1 | | |
| 17-22 | K4260000172 | CLAMP, HOSE 12 | 2 | | |
| 17-23 | K0000050152 | BOLT, M5-15 | 5 | | |
| 17-24 | K0922050000 | SEAL, WASHER 5WF | 5 | | |
| | | | | | |

18.Engine section F (Type R)

LM3210

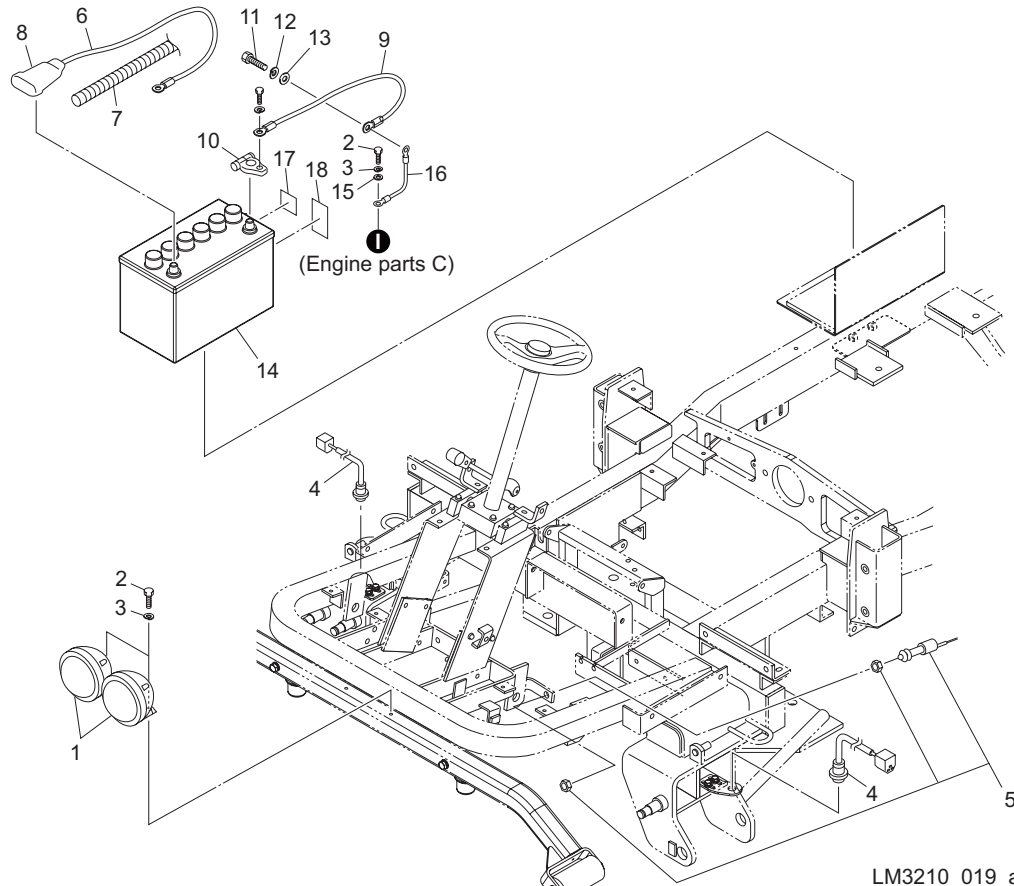


LM3210_018_a01

| Cat No. | Code No. | Part name | Qty | Remark | SN of application |
|---------|---------------|--|-----|----------|-------------------|
| 18-1 | K3640000060 | LAMP, V31623A | 2 | | |
| 18-2 | K0000080152 | BOLT, M8-15 | 3 | | |
| 18-3 | K0200080002 | WASHER, SPRING M8 | 5 | | |
| 18-4 | K3720000120 | SENSOR, PROXIMITY E2E-X5E2 | 3 | #3、#4、#5 | |
| 18-5 | K3662000030 | SWITCH, TOGGLE FOR AUTO-RETURN ET1115G | 1 | | |
| 18-6 | K4203001420 | DECAL, DIFFERENTIAL LOCK | 1 | | |
| 18-7 | LM2700-0552ZD | SWITCH BOX | 1 | | |
| 18-8 | K0100080002 | NUT, M8 | 2 | | |
| 18-9 | K0073000052 | BOLT, WITH F-RING, M8-40A | 1 | | |
| 18-10 | K3671000150 | SWITCH, LIMIT V17680A | 1 | | |
| 18-11 | K3610000620 | WIRE, BATTERY (+) 500 | 1 | | |
| 18-12 | K3194103200 | TUBE, CORRUGATED, 10-320 | 1 | | |
| 18-13 | K3612000070 | TERMINAL, BATTERY PLUS 4013-D-8-1 | 1 | | |
| 18-14 | K3611000490 | WIRE, TO EARTH 500 | 1 | | |
| 18-15 | K3612000080 | TERMINAL, BATTERY MINUS 4013-D-8-1 | 1 | | |
| 18-16 | K0002120252 | BOLT, P1.25 M12-25 | 1 | | |
| 18-17 | K0200120002 | WASHER, SPRING M12 | 1 | | |
| 18-18 | K5000120002 | WASHER, M12 | 1 | | |
| 18-19 | K3600000180 | BATTERY, FX105D31R | 1 | | |
| 18-20 | K5000080002 | WASHER, M8 | 1 | | |
| 18-21 | K3611000430 | WIRE, TO EARTH 500 | 1 | | |
| 18a-22 | K4209001400 | LABEL, CAPACITY OF BATTERY 105D31 | 1 | | |
| 18a-23 | K4205002030 | DECAL, CROSSED-OUT DUST BIN | 1 | | |

19.Engine section F (Type F)

LM3210

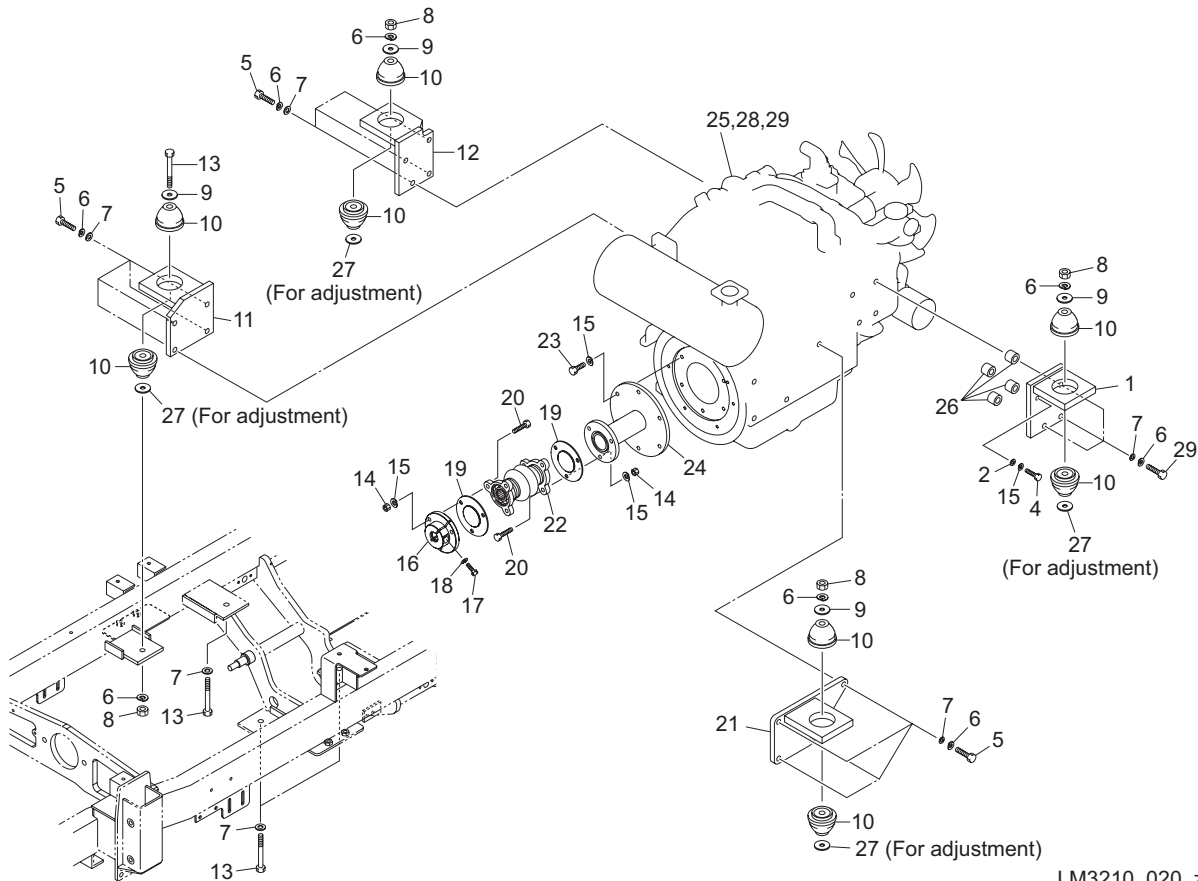


LM3210_019_a01

| Cat No. | Code No. | Part name | Qty | Remark | SN of application |
|---------|-------------|------------------------------------|-----|----------|-------------------|
| 19-1 | K3640000060 | LAMP, V31623A | 2 | | |
| 19-2 | K0000080152 | BOLT, M8-15 | 3 | | |
| 19-3 | K0200080002 | WASHER, SPRING M8 | 3 | | |
| 19-4 | K3720000120 | SENSOR, PROXIMITY E2E-X5E2 | 3 | #3、#4、#5 | |
| 19-5 | K3671000150 | SWITCH, LIMIT V17680A | 1 | | |
| 19-6 | K3610000620 | WIRE, BATTERY (+) 500 | 1 | | |
| 19-7 | K3194103200 | TUBE, CORRUGATED, 10-320 | 1 | | |
| 19-8 | K3612000070 | TERMINAL, BATTERY PLUS 4013-D-8-1 | 1 | | |
| 19-9 | K3611000490 | WIRE, TO EARTH 500 | 1 | | |
| 19-10 | K3612000080 | TERMINAL, BATTERY MINUS 4013-D-8-1 | 1 | | |
| 19-11 | K0002120252 | BOLT, P1.25 M12-25 | 1 | | |
| 19-12 | K0200120002 | WASHER, SPRING M12 | 1 | | |
| 19-13 | K5000120002 | WASHER, M12 | 1 | | |
| 19-14 | K3600000180 | BATTERY, FX105D31R | 1 | | |
| 19-15 | K5000080002 | WASHER, M8 | 1 | | |
| 19-16 | K3611000430 | WIRE, TO EARTH 500 | 1 | | |
| 19a-17 | K4209001400 | LABEL, CAPACITY OF BATTERY 105D31 | 1 | | |
| 19a-18 | K4205002030 | DECAL, CROSSED-OUT DUST BIN | 1 | | |
| | | | | | |
| | | | | | |

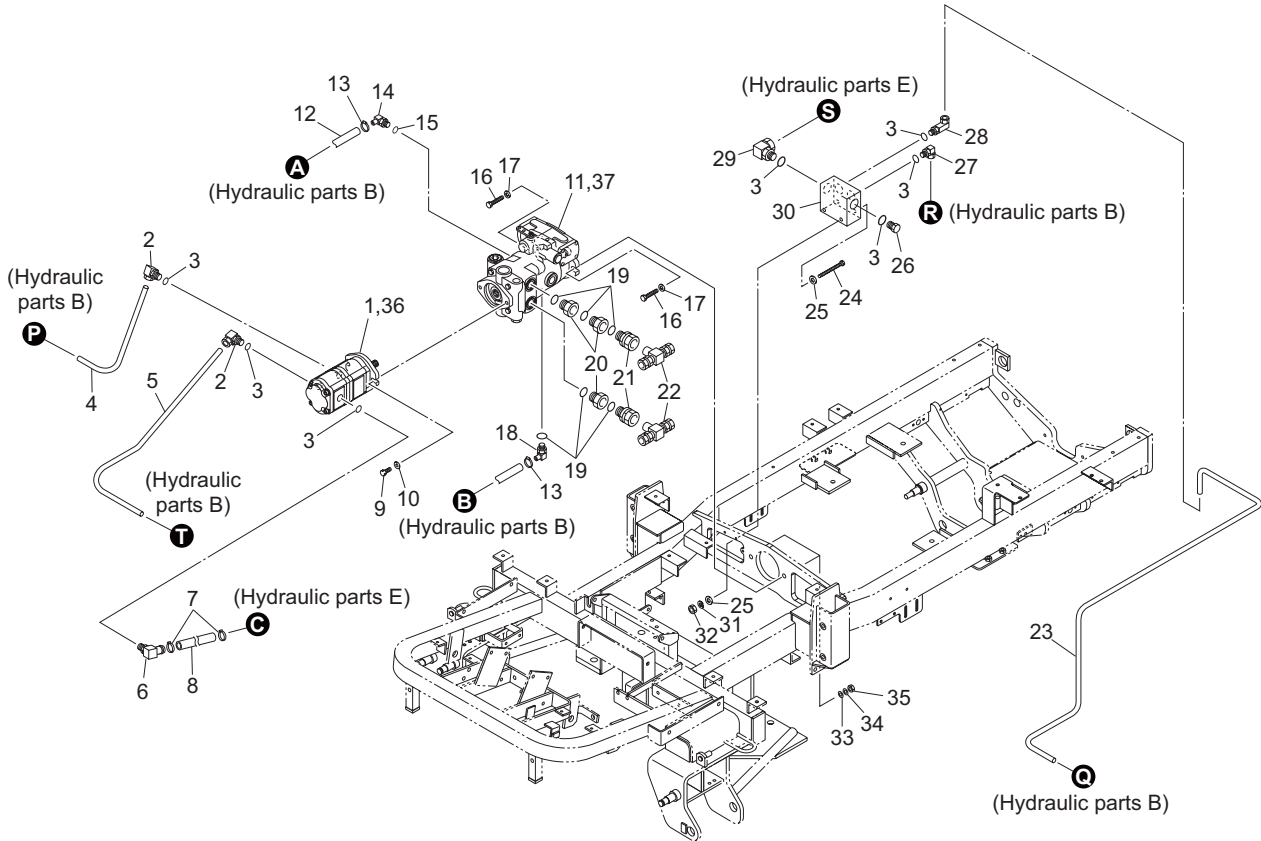
20.Engine section G

LM3210



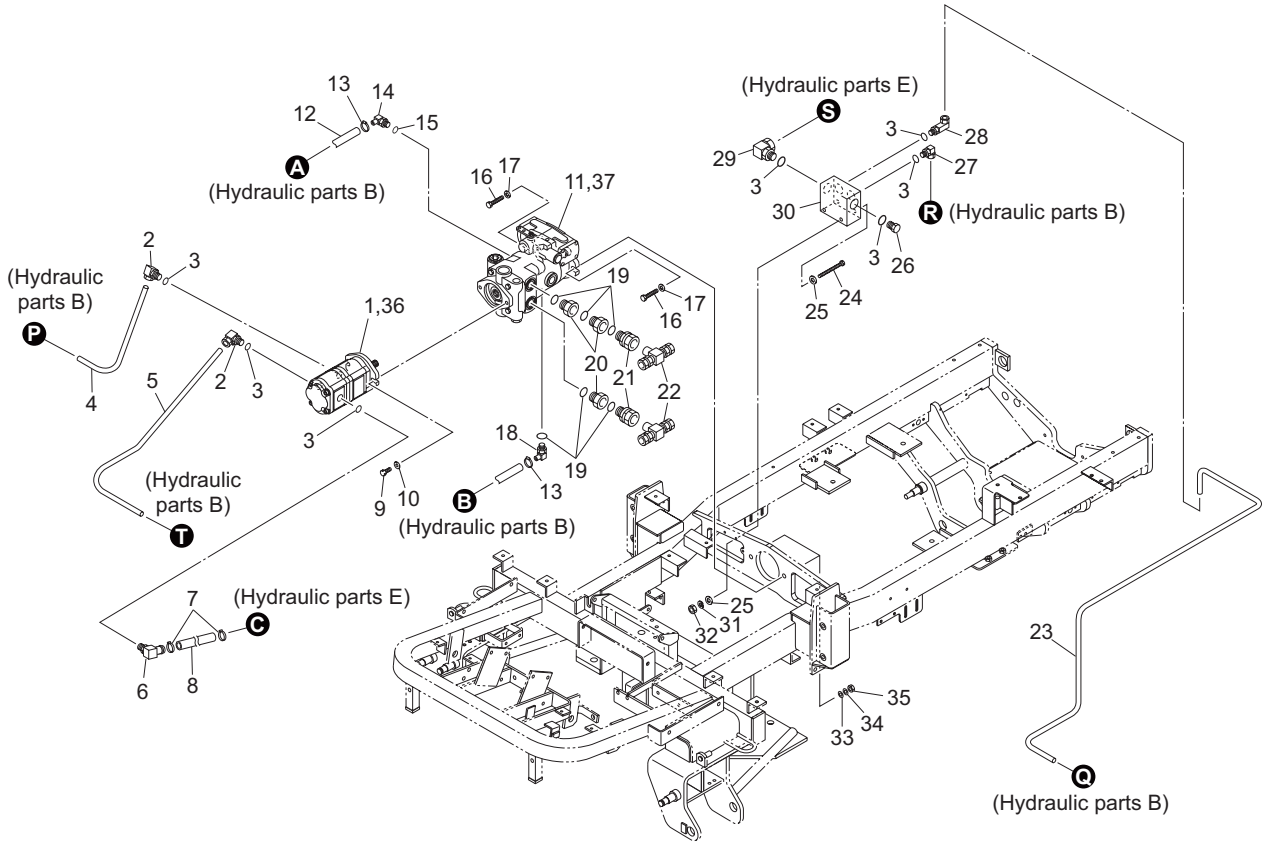
LM3210_020_z02

| Cat No. | Code No. | Part name | Qty | Remark | SN of application |
|---------|----------------|---|-----|----------------|-------------------|
| 20-1 | GM2800-0525ZD | BRACKET, ENGINE D | 1 | | |
| 20-2 | K5000100002 | WASHER, M10 | 1 | | |
| 20-3 | K0012120552 | BOLT, HT P1.25 M12-55 | 3 | | |
| 20-4 | K0011100502 | BOLT, HT P1.25 M10-50 | 1 | | |
| 20-5 | K0012120352 | BOLT, HT P1.25 M12-35 | 12 | | |
| 20-6 | K0200120002 | WASHER, SPRING M12 | 20 | | |
| 20-7 | K5000120002 | WASHER, M12 | 20 | | |
| 20-8 | K0100120002 | NUT, M12 | 4 | | |
| 20-9 | K5076012402 | WASHER, SPHC 6-12-40 | 4 | | |
| 20-10 | K4042000100 | RUBBER, VIBRATION PROOF TO MOUNT ENGINE | 8 | | |
| 20-11 | GM2800-0533ZD | BRACKET, ENGINE A | 1 | | |
| 20-12 | GM2800-0515ZD | BRACKET, ENGINE B | 1 | | |
| 20-13 | K0013121102 | BOLT, HT M12-110 | 4 | | |
| 20-14 | K0100100002 | NUT, M10 | 3 | | |
| 20-15 | K0200100002 | WASHER, SPRING M10 | 15 | | |
| 20-16 | K6204000572 | DISK, DRIVING POMP SIDE | 1 | | |
| 20-17 | K0024100401 | BOLT, WITH HEX. HOLE M10-40 | 1 | | |
| 20-18 | K0215100002 | WASHER, DISK SPRING H M10-2 | 1 | | |
| 20-19 | K6204000562 | SPACER, 118 | 2 | | |
| 20-20 | K0010100352 | BOLT, HT M10-35 | 6 | | |
| 20-21 | LM2700-0504ZD | BRACKET, ENGINE C | 1 | | |
| 20-22 | K1620000270 | JOINT,BC75ACCP230 | 1 | | |
| 20-23 | K0011100302 | BOLT, HT P1.25 M10-30 | 6 | | |
| 20-24 | GM2810-0501Z2 | ADAPTER, FLYWHEEL | 1 | | |
| 20-25 | K2691000400 | ENGINE, KUBOTA V2403-CR-TE4 | 1 | | |
| 20-26 | K6212000542 | COLLAR, STKM M12.8-22-20 | 4 | | |
| 20-27 | K5011613402 | WASHER, SPCC 1.6-13-40 | 4 | For adjustment | |
| 20-28 | PF17266-9701-0 | BELT, COGGED 42.5-A | 1 | | |
| 20-29 | PF16414-3243-4 | FILTER (OIL CARTRIDGE) | 1 | | |



LM3210_021_z01

| Cat No. | Code No. | Part name | Qty | Remark | SN of application |
|---------|-----------------|---------------------------------------|-----|--------|-------------------|
| 21-1 | K3252000090 | PUMP, GEAR PBB22RK514 | 1 | | |
| 21-2 | K3026416081-Y | NIPPLE, LONG ELBOW KLO16-040E | 2 | | |
| 21-3 | K0881018000 | O-RING, P18B | 7 | | |
| 21-4 | LM3210-0802Z2-Y | PIPE, F | 1 | | |
| 21-5 | LM3210-0801Z2-Y | PIPE, A | 1 | | |
| 21-6 | K3008000212-Y | ADAPTOR, ODD SIZED 90 DEG FPD2576 | 1 | | |
| 21-7 | K4260000200 | CLAMP, HOSE JUBILEE BAND 2A | 2 | | |
| 21-8 | GM2810-0815Z0 | HOSE, SUCTION 38 412 | 1 | | |
| 21-9 | K0069000251 | BOLT, 3/8-16 UNC 31.8 | 2 | | |
| 21-10 | K5000100002 | WASHER, M10 | 2 | | |
| 21-11 | K3244000040 | PUMP, PISTON 72400 | 1 | | |
| 21-12 | GM2800-0846A0 | HOSE, SUCTION 25-750 | 1 | | |
| 21-13 | K4260000190 | CLAMP, HOSE JUBILEE BAND 1 | 2 | | |
| 21-14 | K3008000302-Y | ADAPTOR, FPD21941 | 1 | | |
| 21-15 | K0887000420 | O-RING, AS568-042 | 1 | | |
| 21-16 | K0010120502 | BOLT, HT M12-50 | 2 | | |
| 21-17 | K5073212352 | WASHER, SPHC 3.2-12-35 | 2 | | |
| 21-18 | K3008000312-Y | ADAPTOR, FPD21939 | 1 | | |
| 21-19 | K0887009160 | O-RING, AS568-916 | 6 | | |
| 21-20 | K3008000632-Y | CONNECTOR, WITH O-RING 4043-1 5/16-O | 3 | | |
| 21-21 | K3008000622-Y | CONNECTOR, WITH O-RING 1202-25-1 5/16 | 2 | | |
| 21-22 | K3027025001-Y | TEE, KTB 25-000E | 2 | | |
| 21-23 | LM3210-0803Z2-Y | PIPE, E | 1 | | |
| 21-24 | K0003080702 | BOLT, M8-70 | 2 | | |
| 21-25 | K5000080002 | WASHER, M8 | 4 | | |
| 21-26 | K1420000232-Y | PLUG, O-RING WITH HEX. HOLE 215-PF1/2 | 1 | | |
| 21-27 | K3026416081-Y | NIPPLE, LONG ELBOW KLO16-040E | 1 | | |
| 21-28 | K3028416081-Y | NIPPLE, ELBOW KLG16-040E | 1 | | |
| 21-29 | K3026425121-Y | NIPPLE, KLO 25-060E | 1 | | |
| 21-30 | LM2700-0821Z2-Y | MANIFOLD | 1 | | |

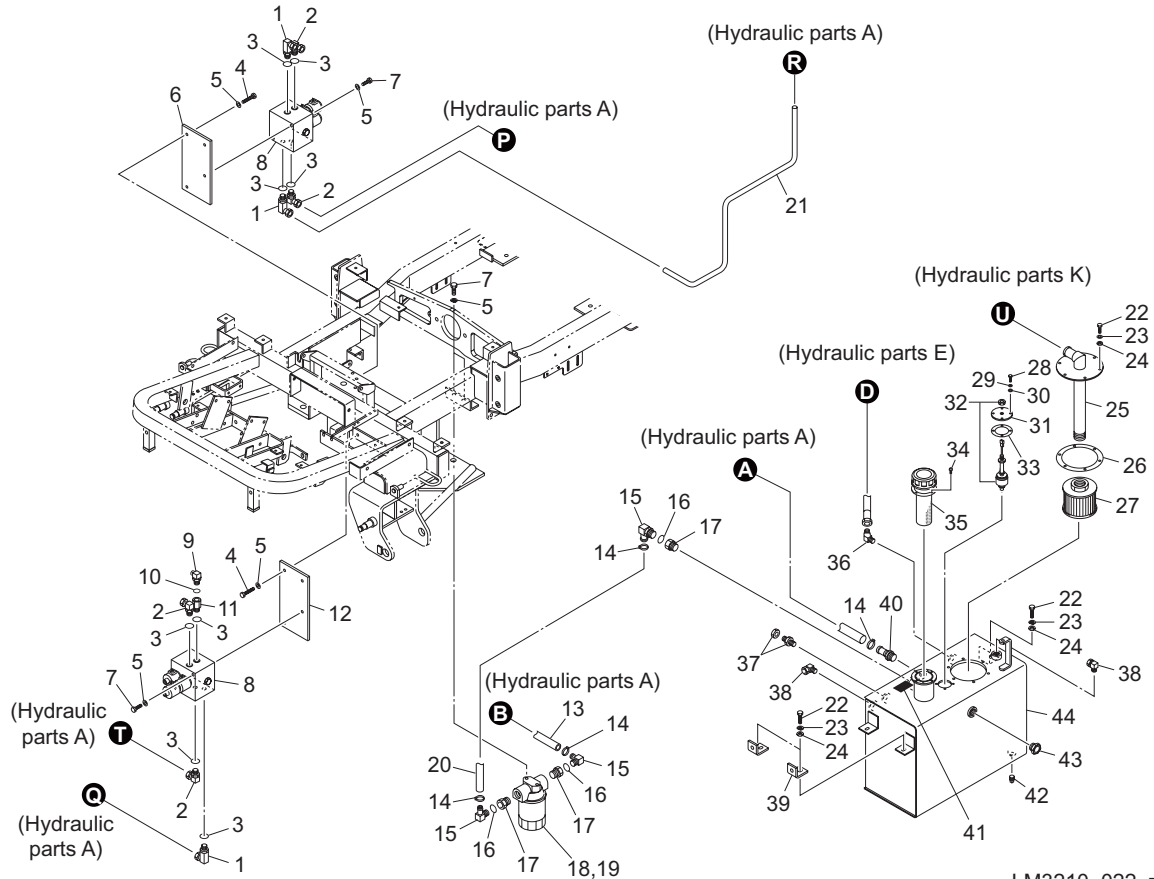


LM3210_021_z01

| Cat No. | Code No. | Part name | Qty | Remark | SN of application |
|---------|-------------|--------------------------------|-----|--------|-------------------|
| 21-31 | K0200080002 | WASHER, SPRING M8 | 2 | | |
| 21-32 | K0100080002 | NUT, M8 | 2 | | |
| 21-33 | K5000120002 | WASHER, M12 | 2 | | |
| 21-34 | K0200120002 | WASHER, SPRING M12 | 2 | | |
| 21-35 | K0100120002 | NUT, M12 | 2 | | |
| 21-36 | Y62-10313 | SEAL KIT, GEAR PUMP PBB55RK513 | 1 | | |
| 21-37 | Y72400-908 | SEAL KIT, PISTON PUMP 72400 | 1 | | |
| | | | | | |
| | | | | | |
| | | | | | |
| | | | | | |
| | | | | | |
| | | | | | |

22. Hydraulic section B

LM3210

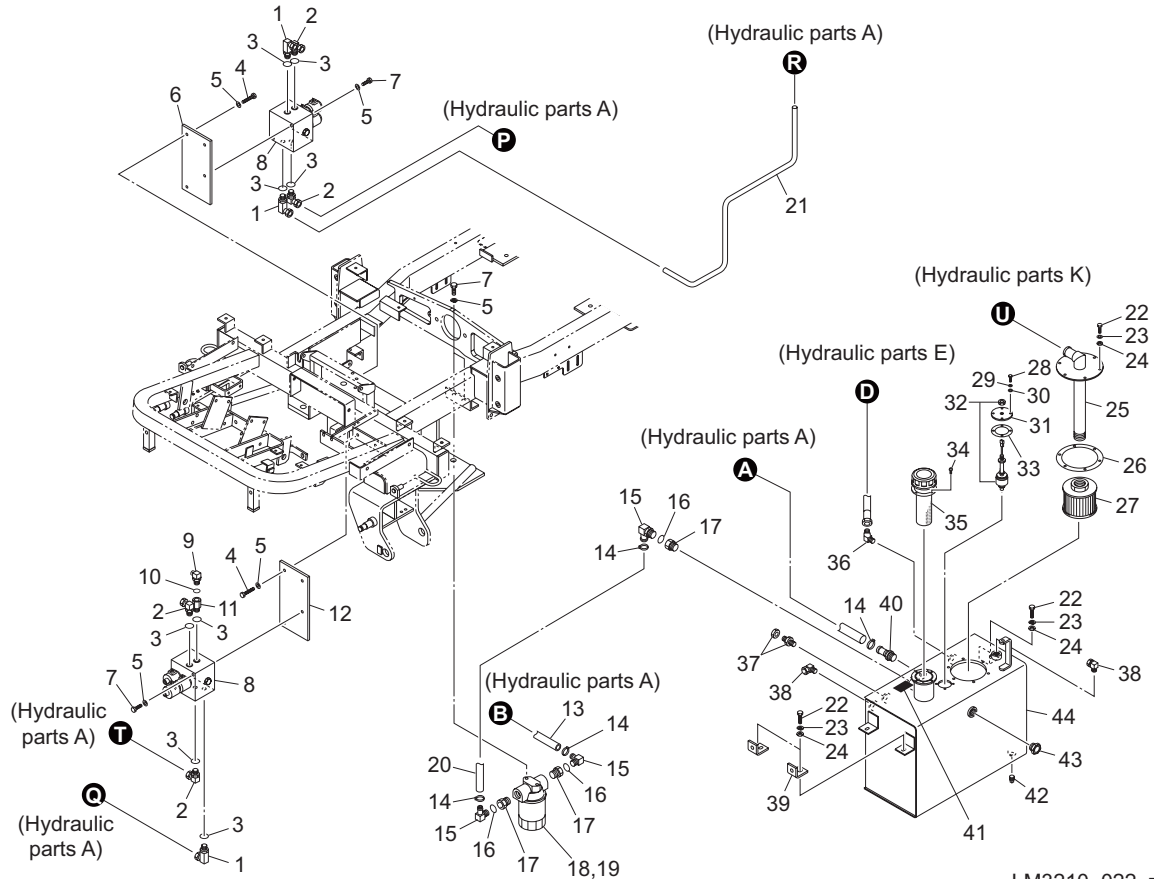


LM3210_022_z00

| Cat No. | Code No. | Part name | Qty | Remark | SN of application |
|---------|-----------------|--|-----|--------|-------------------|
| 22-1 | K3028416061-Y | NIPPLE, LONG ELBOW KLG16-030E | 3 | | |
| 22-2 | K3026416061-Y | NIPPLE, ELBOW KLO16-030E | 4 | | |
| 22-3 | K0881018000 | O-RING, P18B | 8 | | |
| 22-4 | K0000100302 | BOLT, M10-30 | 4 | | |
| 22-5 | K0200100002 | WASHER, SPRING M10 | 10 | | |
| 22-6 | LM2700-0813ZD | BRACKET, VALVE #2 #3 MOWER | 1 | | |
| 22-7 | K0000100202 | BOLT, M10-20 | 6 | | |
| 22-8 | K3313000520 | VALVE COMP, SOLENOID HF81978-13 | 2 | | |
| 22-9 | K3008000192-Y | ADAPTOR, ODD SIZED 90 DEG PF1/2*PF3/8 | 1 | | |
| 22-10 | K0881014000 | O-RING, P14B | 1 | | |
| 22-11 | K3029000282-Y | BUSHING, PF3/8*PF3/8 | 1 | | |
| 22-12 | LM2700-0814ZD | BRACKET, VALVE #1 #4 #5 MOWER | 1 | | |
| 22-13 | GM2800-0845A0 | HOSE, SUCTION 25-240 | 1 | | |
| 22-14 | K4260000190 | CLAMP, HOSE JUBILEE BAND 1 | 4 | | |
| 22-15 | K3008000312-Y | ADAPTOR, FPD21939 | 3 | | |
| 22-16 | K0887009160 | O-RING, AS568-916 | 3 | | |
| 22-17 | K3008000642-Y | CONNECTOR, WITH O-RING 4400-25-16 | 3 | | |
| 22-18 | K3410000020 | FILTER, CARTRIDGE CF-80-10U | 1 | | |
| 22-19 | K3410000030 | FILTER, CARTRIDGE F-913-1 (SUBSTITUTE) | 1 | | |
| 22-20 | LM2700-0868A0 | HOSE, SUCTION 25-210 | 1 | | |
| 22-21 | LM3210-0804Z2-Y | PIPE, K | 1 | | |
| 22-22 | K0000080202 | BOLT, M8-20 | 9 | | |
| 22-23 | K0200080002 | WASHER, SPRING M8 | 9 | | |
| 22-24 | K5000080002 | WASHER, M8 | 9 | | |
| 22-25 | GM2800-0862Z2-Y | ATTACHMENT, SUCTION HOSE | 1 | | |
| 22-26 | LM535E-0434Z0 | PACKING, SUCTION PORT | 1 | | |
| 22-27 | K3413000040 | FILTER, SUCTION SFT-10-150W | 1 | | |
| 22-28 | K0000060202 | BOLT, M6-20 | 4 | | |
| 22-29 | K0200060002 | WASHER, SPRING M6 | 4 | | |
| 22-30 | K5000060002 | WASHER, M6 | 4 | | |

22. Hydraulic section B

LM3210

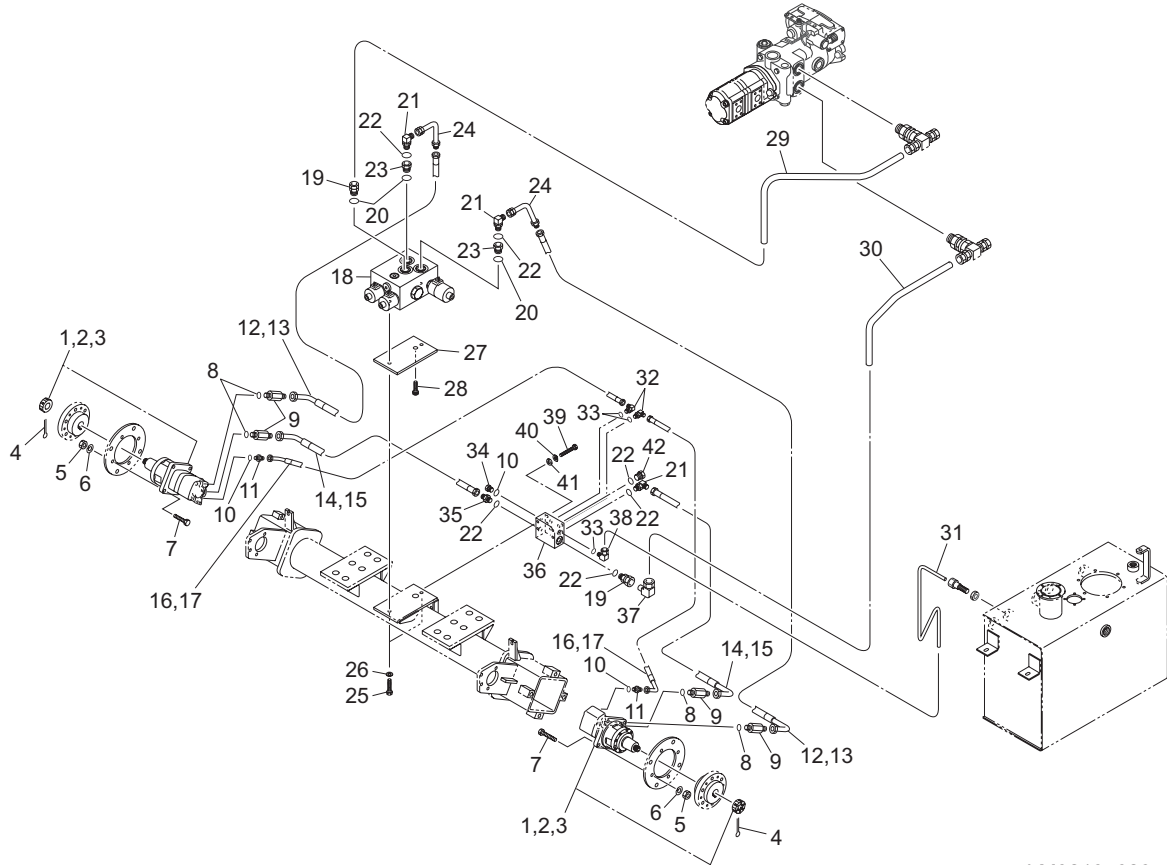


LM3210_022_z00

| Cat No. | Code No. | Part name | Qty | Remark | SN of application |
|---------|-----------------|-------------------------------------|-----|--------|-------------------|
| 22-31 | LM526--0809Z2-Y | BRACKET, OIL LEVEL SENSOR | 1 | | |
| 22-32 | K3720000130 | SENSOR, LEVEL SWITCH | 1 | | |
| 22-33 | K4011000330 | PACKING, OIL-SHEET 0.8-4575 | 1 | | |
| 22-34 | K0044050102 | SCREW, + ROUND HEAD WITH W/SW M5-10 | 4 | | |
| 22-35 | K3400000030 | BREATHER, REFUELING HOLE FAB-50 | 1 | | |
| 22-36 | K3003120002-Y | ELBOW, 45 DEG 1035-12 | 1 | | |
| 22-37 | K3026610081-Y | CONNECTOR, KCT 10-040E | 1 | | |
| 22-38 | K3028010081-Y | ELBOW, KLN 12-040E | 2 | | |
| 22-39 | LM2700-0950ZD | BRACKET, SIDE COVER | 2 | | |
| 22-40 | K3009000132-Y | ADAPTOR, MO-JS-25 | 1 | | |
| 22-41 | K4209000980 | DECAL, HYDRAULIC OIL | 1 | | |
| 22-42 | K1422106001-Y | PLUG, TAPER WITH HEX. HOLE T1, 3/8 | 1 | | |
| 22-43 | K1400000044-Y | GAUGE, OIL M TYPEPF3/4 | 1 | | |
| 22-44 | GM2800-0840BD-Y | TANK, HYDRAULIC | 1 | | |
| | | | | | |
| | | | | | |
| | | | | | |

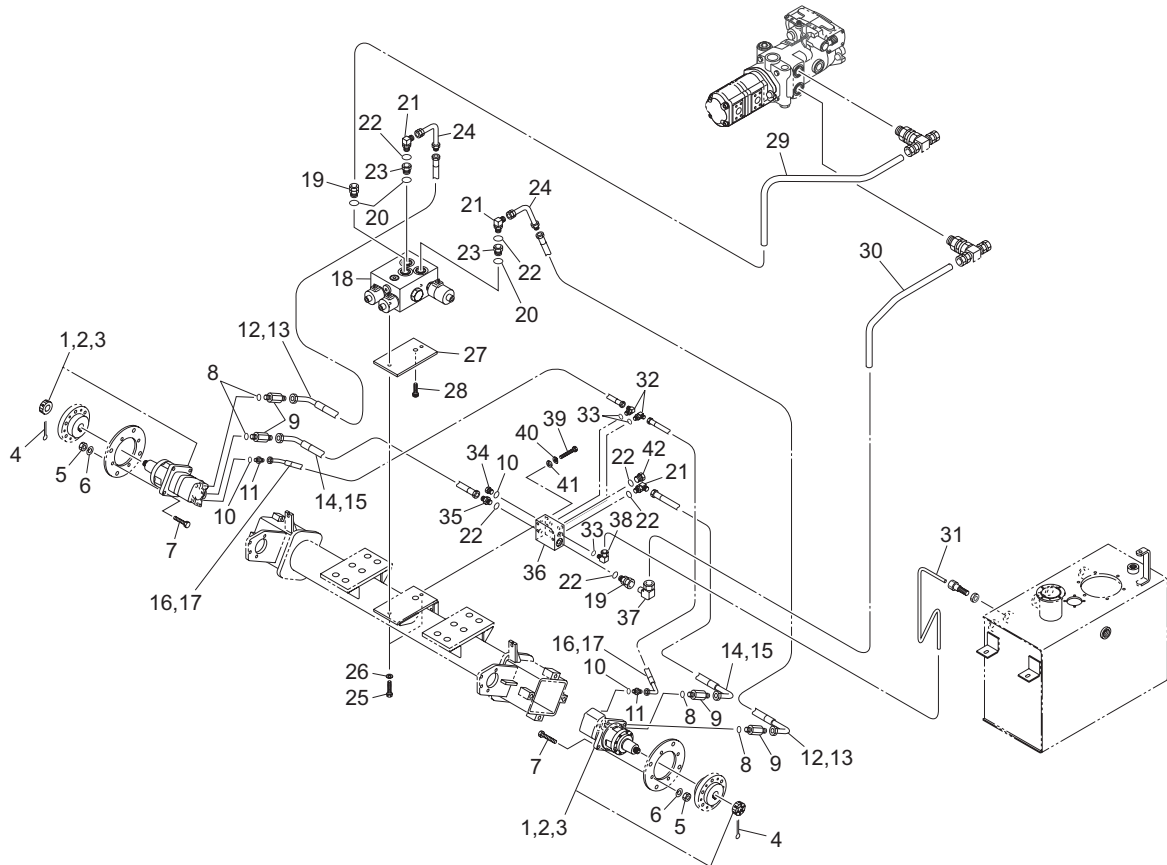
23. Hydraulic section C (Type R)

LM3210



LM3210_023_z00

| Cat No. | Code No. | Part name | Qty | Remark | SN of application |
|---------|-----------------|---|-----|--------|-------------------|
| 23-1 | K3291000240 | WHEEL MOTOR 4-490BBAS-F9321 | 2 | | |
| 23-2 | Y61234S | SEAL KIT, WHEEL MOTOR 4-330B/490BBAS (REAR) | 2 | | |
| 23-3 | YAE0325A | SEAL KIT, WHEEL MOTOR 4-330BBAS (SHAFT) | 2 | | |
| 23-4 | K0300040502 | PIN, COTTER M4-50 | 2 | | |
| 23-5 | K0100140002 | NUT, M14 | 8 | | |
| 23-6 | K0200140002 | WASHER, SPRING M14 | 8 | | |
| 23-7 | K0013140502 | BOLT, HT M14-50 | 8 | | |
| 23-8 | K0887009120 | O-RING, AS568-912 | 4 | | |
| 23-9 | K3008000382-Y | CONNECTOR, WITH O-RING 1 | 4 | | |
| 23-10 | K0887009040 | O-RING, AS568-904 | 3 | | |
| 23-11 | K3008000342-Y | CONNECTOR, WITH O-RING 1096-6 | 2 | | |
| 23-12 | K3106430700 | HOSE, WP245-12-3-700 | 2 | | |
| 23-13 | K3191006000 | TUBE, SPIRAL SP-15 600 | 2 | | |
| 23-14 | K3106430600 | HOSE, WP245-12-3-600 | 2 | | |
| 23-15 | K3191005000 | TUBE, SPIRAL SP-15 500 | 2 | | |
| 23-16 | K3101220700 | HOSE, WP70-6-2-700 | 2 | | |
| 23-17 | K3190006000 | TUBE, SPIRAL SP-12 600 | 2 | | |
| 23-18 | K3313000460 | VALVE COMP, SOLENOID HF78445-12 | 1 | | |
| 23-19 | K3026325121-Y | CONNECTOR, KCO 25-060E | 2 | | |
| 23-20 | K0881024000 | O-RING, P24B | 3 | | |
| 23-21 | K3008000042-Y | ADAPTOR, 90 DEG 1086-12 | 3 | | |
| 23-22 | K0881018000 | O-RING, P18B | 6 | | |
| 23-23 | K3029000312-Y | BUSHING, PF1/2*PF3/4 | 2 | | |
| 23-24 | K3025064082-Y | ADAPTOR, FOR PIPE 064-08 | 2 | | |
| 23-25 | K0000100302 | BOLT, M10-30 | 2 | | |
| 23-26 | K0200100002 | WASHER, SPRING M10 | 2 | | |
| 23-27 | LM2700-0831ZD | MOUNT, DIFF LOCK VALVE | 1 | | |
| 23-28 | K0024100151 | BOLT, WITH HEX. HOLE M10-15 | 1 | | |
| 23-29 | GM2810-0811Z2-Y | PIPE, K | 1 | | |
| 23-30 | GM2810-0812Z2-Y | PIPE, L | 1 | | |

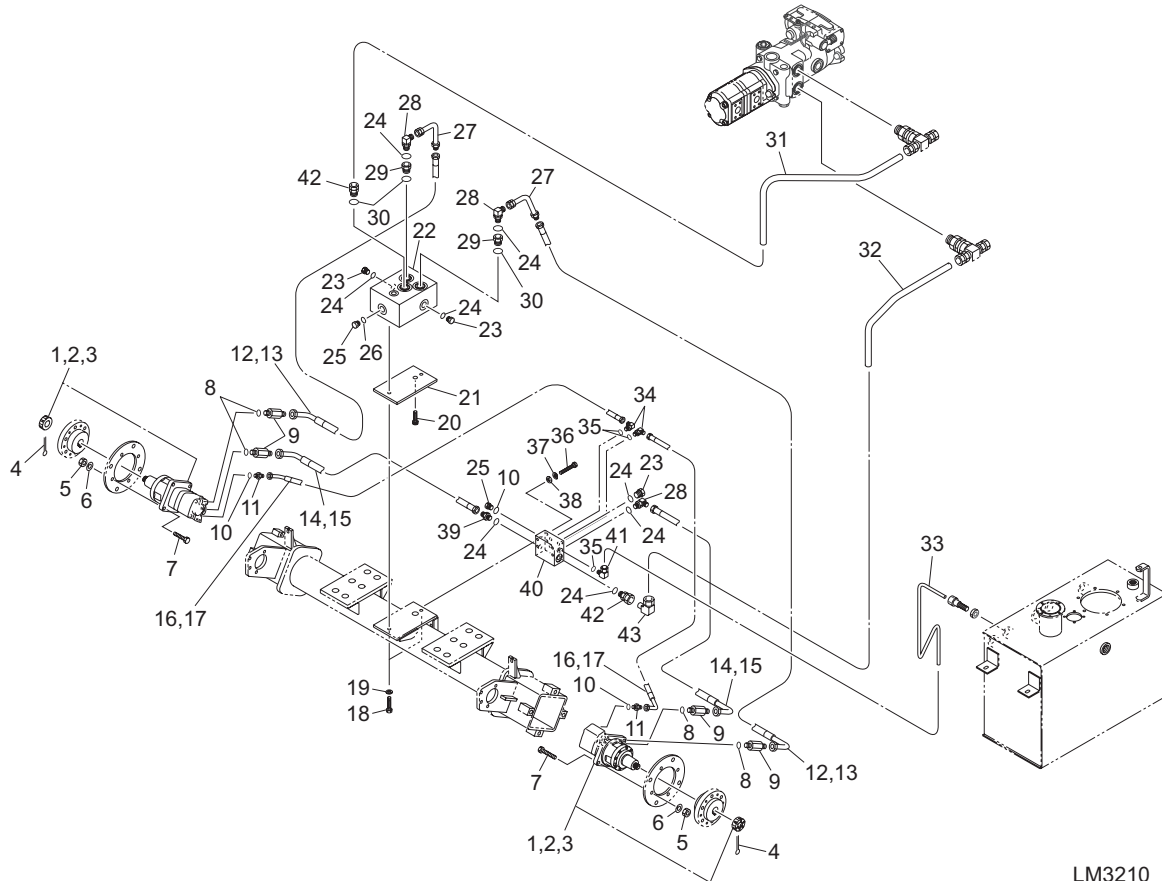


LM3210_023_z00

| Cat No. | Code No. | Part name | Qty | Remark | SN of application |
|---------|-----------------|---------------------------------------|-----|--------|-------------------|
| 23-31 | GM2800-0820Z2-Y | PIPE, L | 1 | | |
| 23-32 | K3008000442-Y | ADAPTOR, 90 DEG 1086-6 | 2 | | |
| 23-33 | K0881014000 | O-RING, P14B | 3 | | |
| 23-34 | K1420000222-Y | PLUG, O-RING 215-PF1/4 | 1 | | |
| 23-35 | K3009000092-Y | ADAPTOR, PT1/2*PF1/2 | 1 | | |
| 23-36 | LM2700-0821Z2-Y | MANIFOLD | 1 | | |
| 23-37 | K3027125001-Y | ELBOW, KLC 25-000E | 1 | | |
| 23-38 | K3026410041-Y | NIPPLE, KLO 10-020KNNT | 1 | | |
| 23-39 | K0003080702 | BOLT, M8-70 | 4 | | |
| 23-40 | K0200080002 | WASHER, SPRING M8 | 4 | | |
| 23-41 | K5000080002 | WASHER, M8 | 4 | | |
| 23-42 | K1420000232-Y | PLUG, O-RING WITH HEX. HOLE 215-PF1/2 | 1 | | |
| | | | | | |
| | | | | | |
| | | | | | |
| | | | | | |

24. Hydraulic section C (Type F)

LM3210

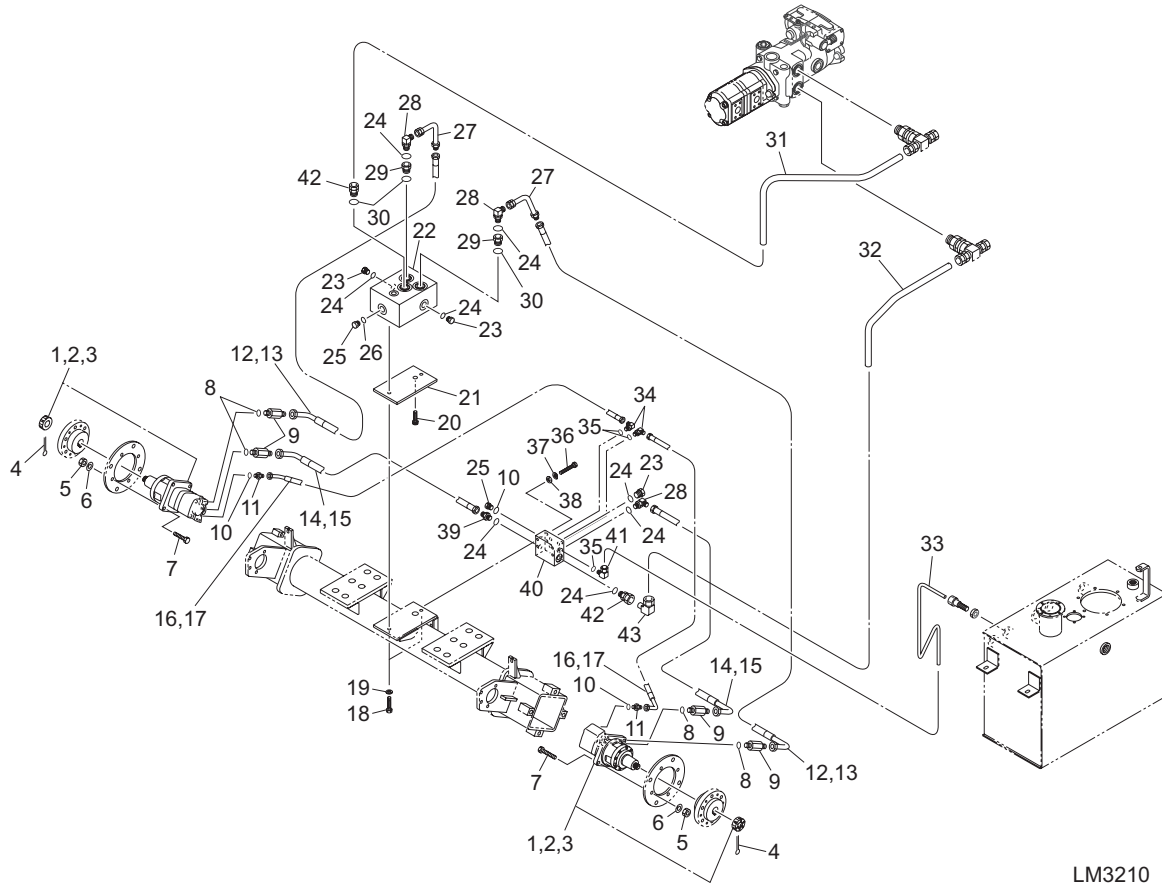


LM3210_024_z00

| Cat No. | Code No. | Part name | Qty | Remark | SN of application |
|---------|-----------------|---|-----|--------|-------------------|
| 24-1 | K3291000240 | WHEEL MOTOR 4-490BBAS-F9321 | 2 | | |
| 24-2 | Y61234S | SEAL KIT, WHEEL MOTOR 4-330B/490BBAS (REAR) | 2 | | |
| 24-3 | YAE0325A | SEAL KIT, WHEEL MOTOR 4-330BBAS (SHAFT) | 2 | | |
| 24-4 | K0300040502 | PIN, COTTER M4-50 | 2 | | |
| 24-5 | K0100140002 | NUT, M14 | 8 | | |
| 24-6 | K0200140002 | WASHER, SPRING M14 | 8 | | |
| 24-7 | K0013140502 | BOLT, HT M14-50 | 8 | | |
| 24-8 | K0887009120 | O-RING, AS568-912 | 4 | | |
| 24-9 | K3008000382-Y | CONNECTOR, WITH O-RING 1 | 4 | | |
| 24-10 | K0887009040 | O-RING, AS568-904 | 3 | | |
| 24-11 | K3008000342-Y | CONNECTOR, WITH O-RING 1096-6 | 2 | | |
| 24-12 | K3106430700 | HOSE, WP245-12-3-700 | 2 | | |
| 24-13 | K3191006000 | TUBE, SPIRAL SP-15 600 | 2 | | |
| 24-14 | K3106430600 | HOSE, WP245-12-3-600 | 2 | | |
| 24-15 | K3191005000 | TUBE, SPIRAL SP-15 500 | 2 | | |
| 24-16 | K3101220700 | HOSE, WP70-6-2-700 | 2 | | |
| 24-17 | K3190006000 | TUBE, SPIRAL SP-12 600 | 2 | | |
| 24-18 | K0000100302 | BOLT, M10-30 | 2 | | |
| 24-19 | K0200100002 | WASHER, SPRING M10 | 2 | | |
| 24-20 | K0024100151 | BOLT, WITH HEX. HOLE M10-15 | 1 | | |
| 24-21 | LM2700-0831ZD | MOUNT, DIFF LOCK VALVE | 1 | | |
| 24-22 | LM2700-4901Z2-Y | MANIFOLD, B | 1 | | |
| 24-23 | K1420000232-Y | PLUG, O-RING WITH HEX. HOLE 215-PF1/2 | 3 | | |
| 24-24 | K0881018000 | O-RING, P18B | 8 | | |
| 24-25 | K1420000222-Y | PLUG, O-RING 215-PF1/4 | 2 | | |
| 24-26 | K0881011000 | O-RING, P11B | 1 | | |
| 24-27 | K3025064082-Y | ADAPTOR, FOR PIPE 064-08 | 2 | | |
| 24-28 | K3008000042-Y | ADAPTOR, 90 DEG 1086-12 | 3 | | |
| 24-29 | K3029000312-Y | BUSHING, PF1/2*PF3/4 | 2 | | |
| 24-30 | K0881024000 | O-RING, P24B | 3 | | |

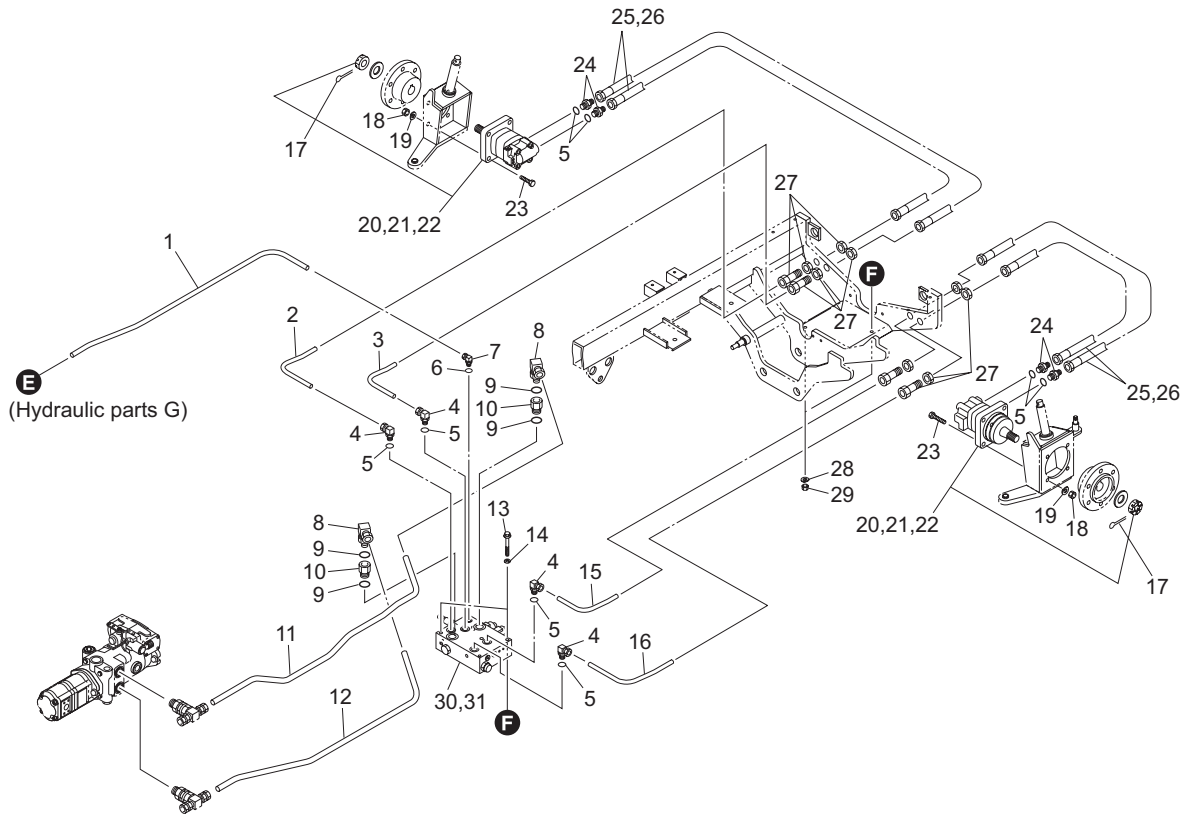
24. Hydraulic section C (Type F)

LM3210



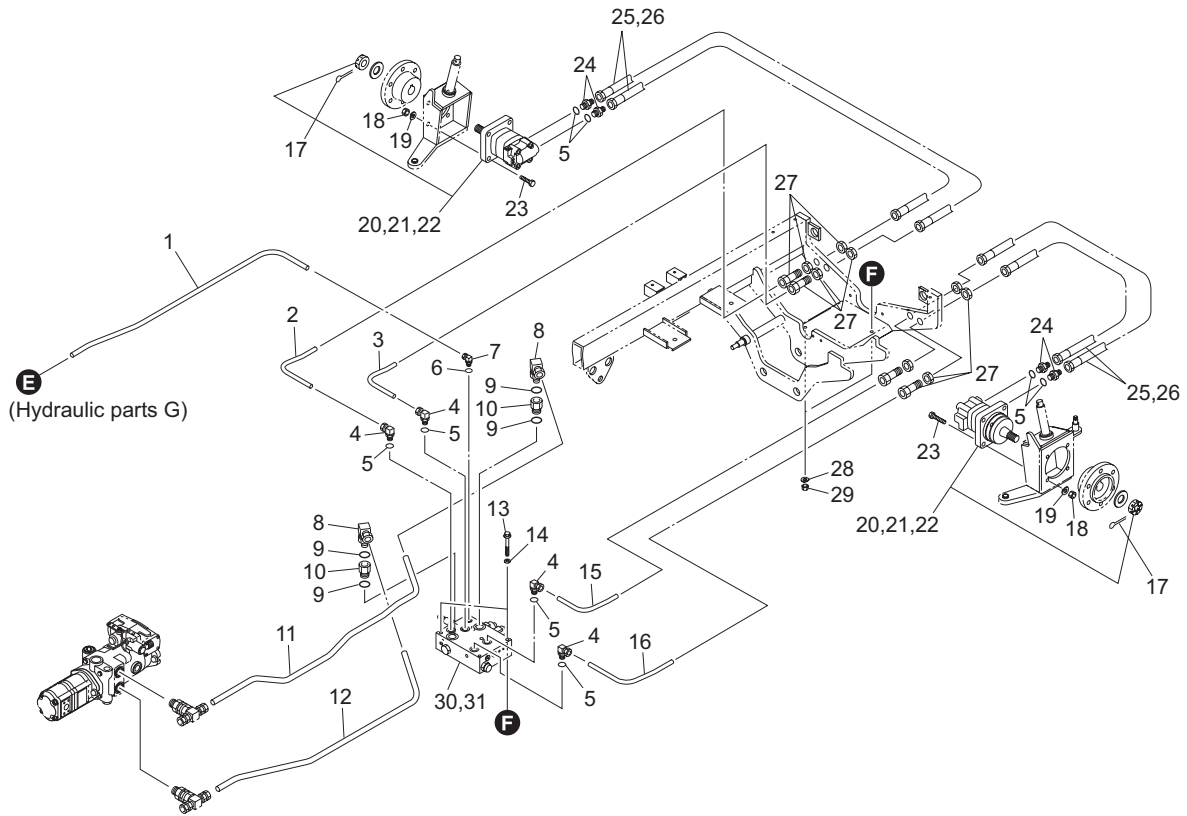
LM3210_024_z00

| Cat No. | Code No. | Part name | Qty | Remark | SN of application |
|---------|-----------------|------------------------|-----|--------|-------------------|
| 24-31 | GM2810-0811Z2-Y | PIPE, K | 1 | | |
| 24-32 | GM2810-0812Z2-Y | PIPE, L | 1 | | |
| 24-33 | GM2800-0820Z2-Y | PIPE, L | 1 | | |
| 24-34 | K3008000442-Y | ADAPTOR, 90 DEG 1086-6 | 2 | | |
| 24-35 | K0881014000 | O-RING, P14B | 3 | | |
| 24-36 | K0003080702 | BOLT, M8-70 | 4 | | |
| 24-37 | K0200080002 | WASHER, SPRING M8 | 4 | | |
| 24-38 | K5000080002 | WASHER, M8 | 4 | | |
| 24-39 | K3009000092-Y | ADAPTOR, PT1/2*PF1/2 | 1 | | |
| 24-40 | LM2700-0821Z2-Y | MANIFOLD | 1 | | |
| 24-41 | K3026410041-Y | NIPPLE, KLO 10-020KNNT | 1 | | |
| 24-42 | K3026325121-Y | CONNECTOR, KCO 25-060E | 2 | | |
| 24-43 | K3027125001-Y | ELBOW, KLC 25-000E | 1 | | |
| | | | | | |
| | | | | | |
| | | | | | |
| | | | | | |



LM3210_025_z01

| Cat No. | Code No. | Part name | Qty | Remark | SN of application |
|---------|-----------------|------------------------------------|-----|--------|-------------------|
| 25-1 | GM2800-0877Z2-Y | PIPE, P | 1 | | |
| 25-2 | GM2800-0809Z2-Y | PIPE, A | 1 | | |
| 25-3 | GM2800-0811A2-Y | PIPE, C | 1 | | |
| 25-4 | K3026416081-Y | NIPPLE, LONG ELBOW KLO16-040E | 4 | | |
| 25-5 | K0881018000 | O-RING, P18B | 8 | | |
| 25-6 | K0881011000 | O-RING, P11B | 1 | | |
| 25-7 | K3028410081-Y | ELBOW, KLG10-020E | 1 | | |
| 25-8 | K3026425121-Y | NIPPLE, KLO 25-060E | 2 | | |
| 25-9 | K0881024000 | O-RING, P24B | 4 | | |
| 25-10 | K3008000662-Y | CONNECTOR, WITH O-RING 1110-19-19 | 2 | | |
| 25-11 | GM2810-0804Z2-Y | PIPE, D | 1 | | |
| 25-12 | GM2810-0803Z2-Y | PIPE, C | 1 | | |
| 25-13 | K0003101002 | BOLT, M10-100 | 2 | | |
| 25-14 | K5000100002 | WASHER, M10 | 2 | | |
| 25-15 | GM2800-0812A2-Y | PIPE, D | 1 | | |
| 25-16 | GM2800-0810Z2-Y | PIPE, B | 1 | | |
| 25-17 | K0300050452 | PIN, COTTER M5-45 | 2 | | |
| 25-18 | K0100120002 | NUT, M12 | 8 | | |
| 25-19 | K0200120002 | WASHER, SPRING M12 | 8 | | |
| 25-20 | K3291000190 | MOTOR, WHEEL 2-200BS4S | 2 | | |
| 25-21 | Y61091S | SEAL KIT, 2000 ORBIT MOTOR (SHAFT) | 2 | | |
| 25-22 | Y61090S | SEAL KIT, 2000 ORBIT MOTOR (REAR) | 2 | | |
| 25-23 | K0000120452 | BOLT, M12-45 | 8 | | |
| 25-24 | K3009000092-Y | ADAPTOR, PT1/2*PF1/2 | 4 | | |
| 25-25 | K3105410800 | HOSE, WP210-12-1-800 | 4 | | |
| 25-26 | K3191007000 | TUBE, SPIRAL SP-15 700 | 4 | | |
| 25-27 | K3026916081-Y | UNION, KUE 12-040E | 4 | | |
| 25-28 | K0200100002 | WASHER, SPRING M10 | 2 | | |
| 25-29 | K0100100002 | NUT, M10 | 2 | | |
| 25-30 | K3313000290 | VALVE COMP, SOLENOID V4205 | 1 | | |

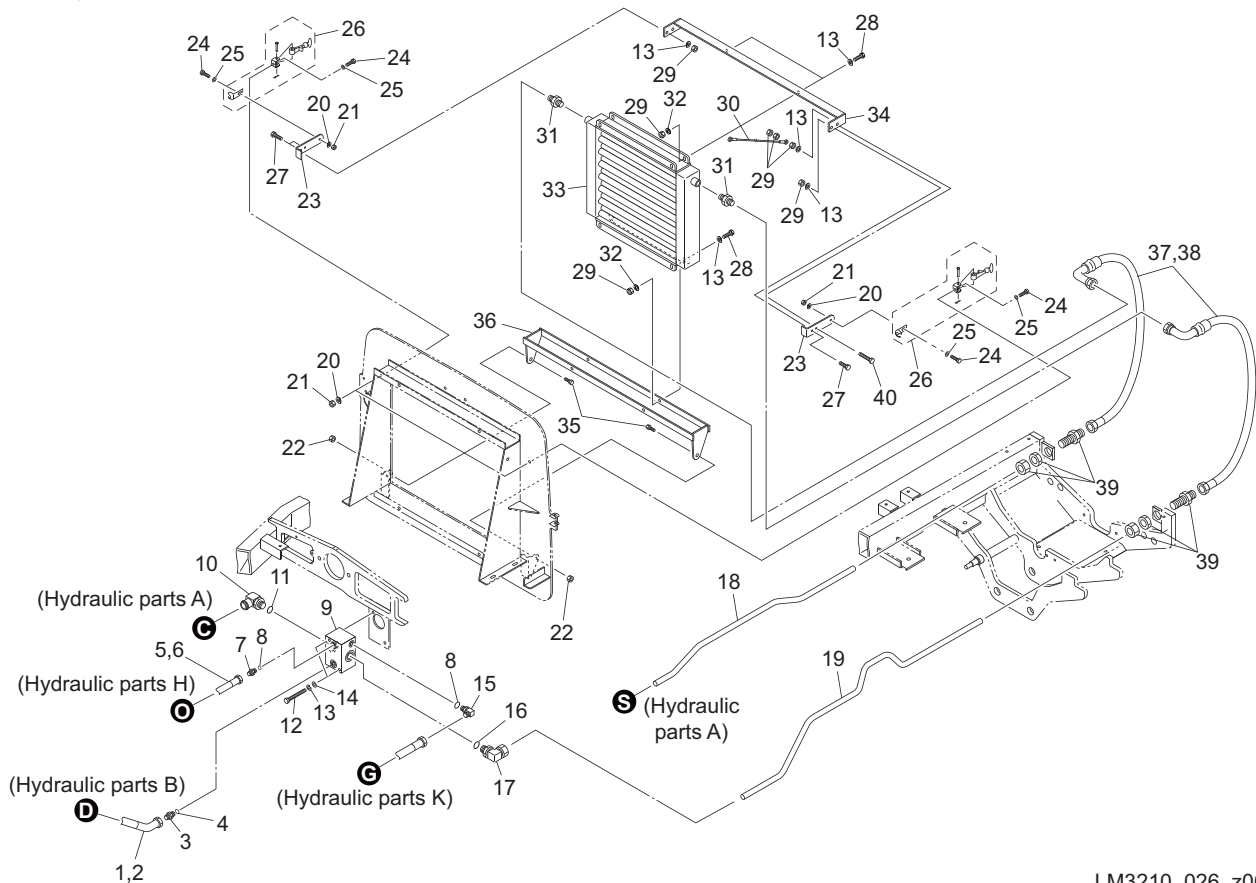


LM3210_025_z01

| Cat No. | Code No. | Part name | Qty | Remark | SN of application |
|---------|-------------|-------------------------------------|-----|--------|-------------------|
| 25-31 | YSK08-3N-MM | SEAL KIT, FOR VALVE, SOLENOID V4205 | 1 | | |
| | | | | | |
| | | | | | |
| | | | | | |
| | | | | | |
| | | | | | |
| | | | | | |
| | | | | | |
| | | | | | |
| | | | | | |

26. Hydraulic section E

LM3210

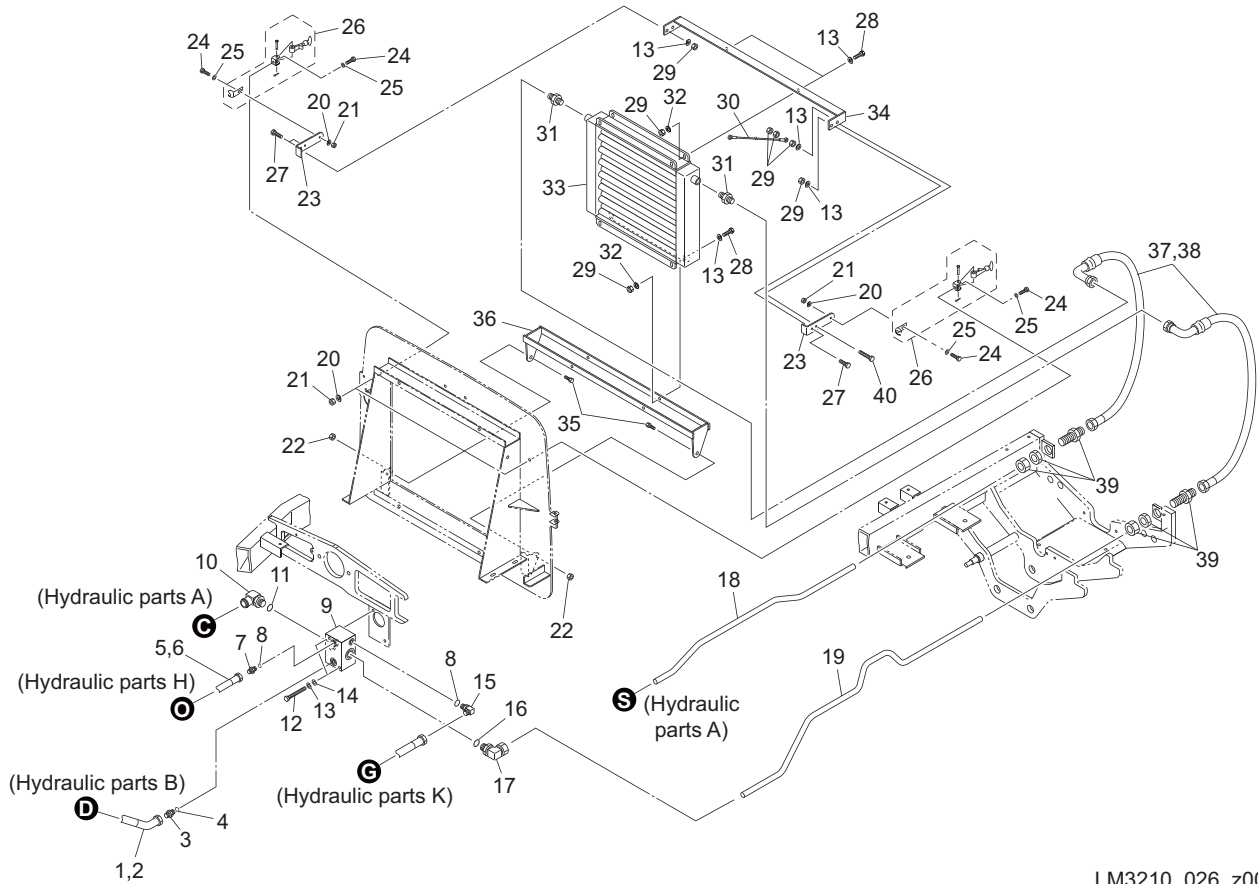


LM3210_026_z00

| Cat No. | Code No. | Part name | Qty | Remark | SN of application |
|---------|-----------------|-----------------------------------|-----|--------|-------------------|
| 26-1 | K3101420550 | HOSE, WP70-12-2-550 | 1 | | |
| 26-2 | K3191004500 | TUBE, SPIRAL SP-15 450 | 1 | | |
| 26-3 | K3009000092-Y | ADAPTOR, PT1/2*PF1/2 | 1 | | |
| 26-4 | K0881018000 | O-RING, P18B | 1 | | |
| 26-5 | K3101330700 | HOSE, WP70-9-3-700 | 1 | | |
| 26-6 | K3191006000 | TUBE, SPIRAL SP-15 600 | 1 | | |
| 26-7 | K3009000142-Y | ADAPTOR, PF3/8PF3/8 | 1 | | |
| 26-8 | K0881014000 | O-RING, P14B | 2 | | |
| 26-9 | K3321000060 | VALVE HF80396-12 | 1 | | |
| 26-10 | K3008000212-Y | ADAPTOR, ODD SIZED 90 DEG FPD2576 | 1 | | |
| 26-11 | K0887009200 | O-RING, AS568-920 | 1 | | |
| 26-12 | K0003080902 | BOLT, M8-90 | 2 | | |
| 26-13 | K0200080002 | WASHER, SPRING M8 | 12 | | |
| 26-14 | K5073208202 | WASHER, SPHC 3.2-8-20 | 2 | | |
| 26-15 | K3008000032-Y | ADAPTOR, 90 DEG 1086-9 | 1 | | |
| 26-16 | K0881029000 | O-RING, P29B | 1 | | |
| 26-17 | K3026425161-Y | NIPPLE, KLO 25-080E | 1 | | |
| 26-18 | LM3210-0805Z2-Y | PIPE, N | 1 | | |
| 26-19 | GM2810-0809Z2-Y | PIPE, I | 1 | | |
| 26-20 | K0200060002 | WASHER, SPRING M6 | 4 | | |
| 26-21 | K0100060002 | NUT, M6 | 4 | | |
| 26-22 | K0144100002 | NUT, M10 WITH F-RING | 2 | | |
| 26-23 | GM2800-0807ZD | FIXTURE | 2 | | |
| 26-24 | K0000060152 | BOLT, M6-15 | 4 | | |
| 26-25 | K5000060002 | WASHER, M6 | 4 | | |
| 26-26 | K1520000030 | HOOK ASSY, RUBBER | 2 | | |
| 26-27 | K0000080152 | BOLT, M8-15 | 3 | | |
| 26-28 | K0000080202 | BOLT, M8-20 | 6 | | |
| 26-29 | K0100080002 | NUT, M8 | 10 | | |
| 26-30 | K1170057000 | WIRE, HOOK 570 | 1 | | |

26. Hydraulic section E

LM3210

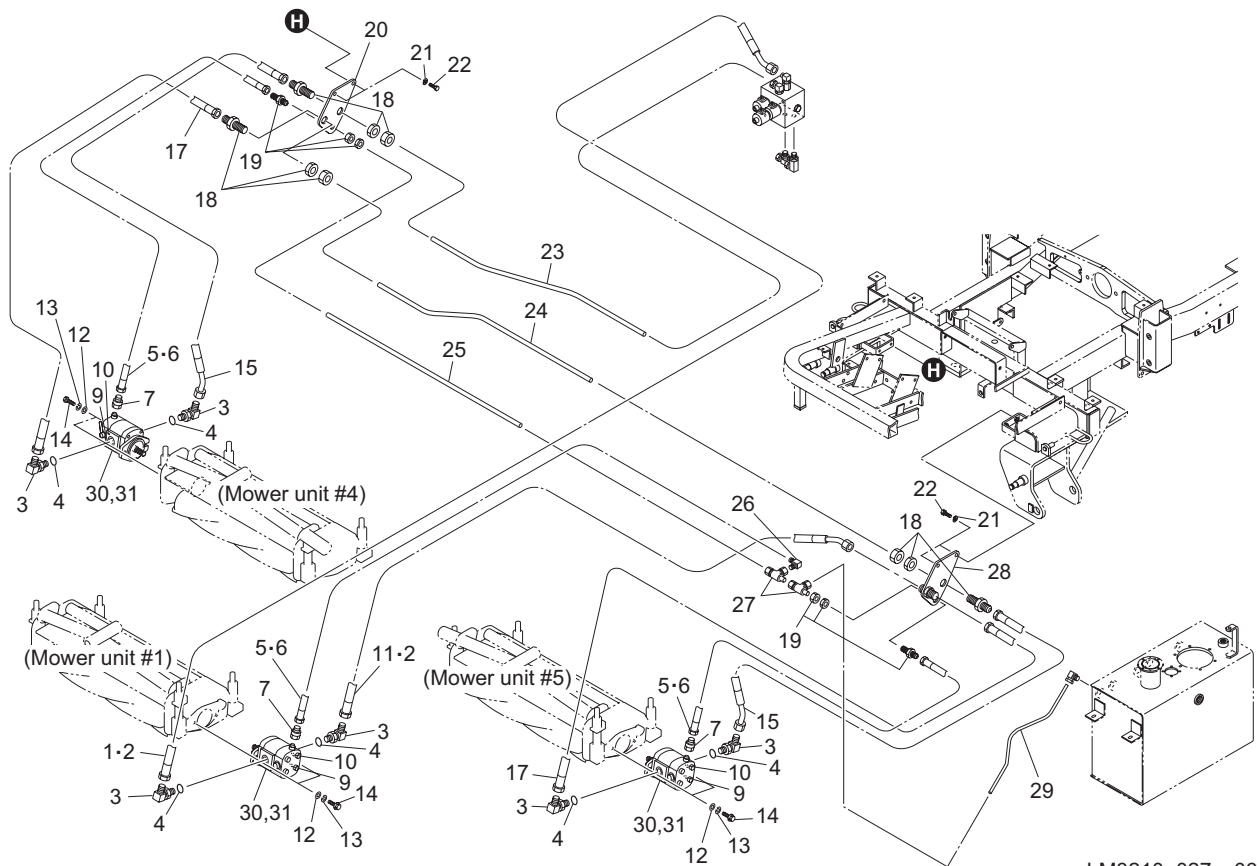


LM3210_026_z00

| Cat No. | Code No. | Part name | Qty | Remark | SN of application |
|---------|---------------|--------------------------------|-----|--------|-------------------|
| 26-31 | K3007000012-Y | ADAPTOR, ODD SIZED PT1/2*PF3/4 | 2 | | |
| 26-32 | K5000080002 | WASHER, M8 | 6 | | |
| 26-33 | LM2700-3839Z0 | OIL COOLER | 1 | | |
| 26-34 | LM3200-0819ZD | FITTING, OIL COOLER (UPPER) | 1 | | |
| 26-35 | K0000100202 | BOLT, M10-20 | 2 | | |
| 26-36 | LM3200-0820ZD | FITTING, OIL COOLER (LOWER) | 1 | | |
| 26-37 | K3101630700 | HOSE, WP70-19-3-700 | 2 | | |
| 26-38 | K3192006000 | TUBE, SPIRAL SP-20 600 | 2 | | |
| 26-39 | K3026925121-Y | UNION, KUE25-060E | 2 | | |
| 26-40 | K0000080302 | BOLT, M8-30 | 1 | | |
| | | | | | |
| | | | | | |
| | | | | | |
| | | | | | |

27. Hydraulic section F (Type R)

LM3210

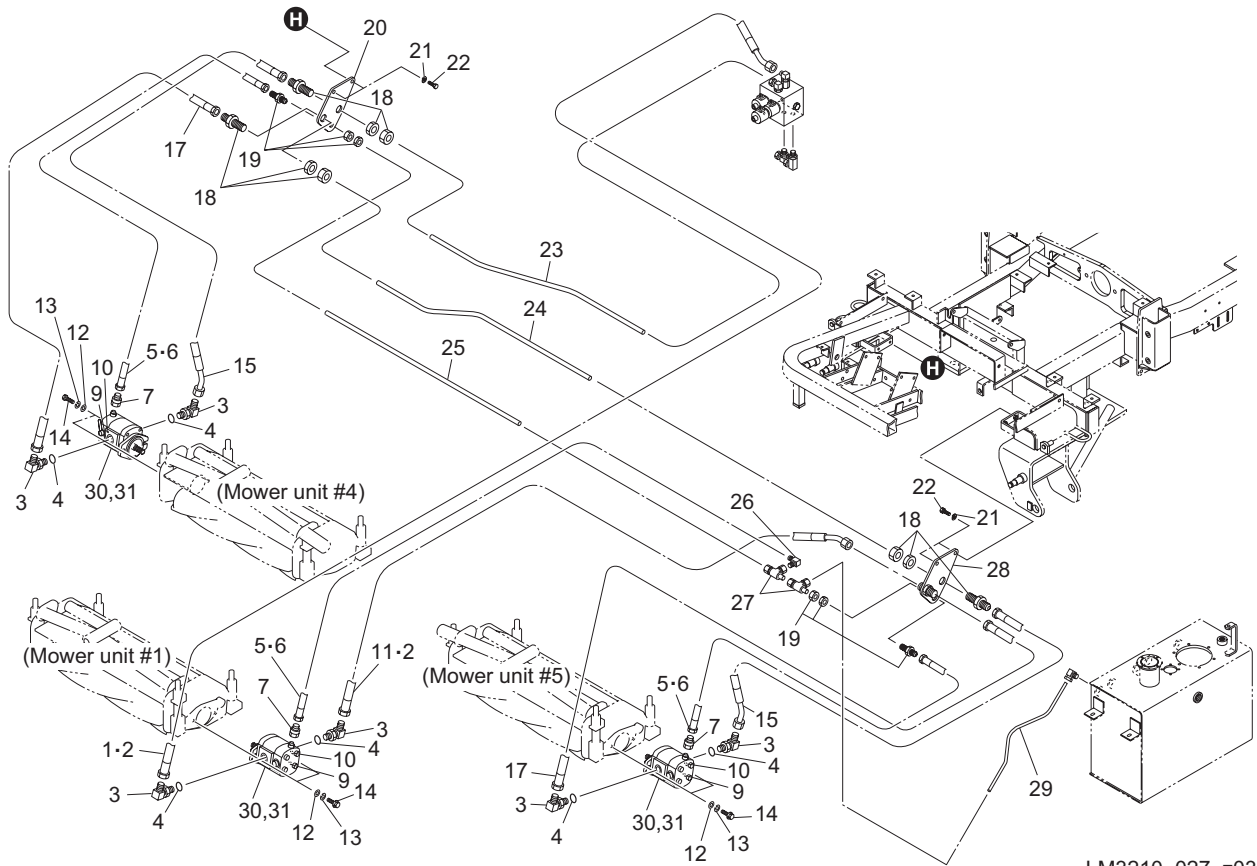


LM3210_027_z03

| Cat No. | Code No. | Part name | Qty | Remark | SN of application |
|---------|-----------------|--------------------------------------|-----|--------|-------------------|
| 27-1 | K3103411850 | HOSE, WP140-12-1-1850 | 1 | | |
| 27-2 | K3191016500 | TUBE, SPIRAL SP-15 1650 | 2 | | |
| 27-3 | K3008000042-Y | ADAPTOR, 90 DEG 1086-12 | 6 | | |
| 27-4 | K0881018000 | O-RING, P18B | 6 | | |
| 27-5 | K3101211650 | HOSE, WP70-6-1-1650 | 3 | | |
| 27-6 | K3190015500 | TUBE, SPIRAL SP-12 1550 | 3 | | |
| 27-7 | K3008000232-Y | CONNECTOR, WITH O-RING PF1/4 X PF1/4 | 3 | | |
| 27-8 | | | | | |
| 27-9 | K4203001310 | DECAL, REEL STOP | 3 | | |
| 27-10 | K4203001300 | DECAL, REEL ROTATION | 3 | | |
| 27-11 | K3103421850 | HOSE, WP140-12-2-1850 | 1 | | |
| 27-12 | K5000100002 | WASHER, M10 | 6 | | |
| 27-13 | K0200100002 | WASHER, SPRING M10 | 6 | | |
| 27-14 | K0008100302 | BOLT, SMALL M10-30 | 6 | | |
| 27-15 | K3103421820 | HOSE, WP140-12-2-1820 | 2 | | |
| 27-16 | | | | | |
| 27-17 | K3103411800 | HOSE, WP140-12-1-1800 | 2 | | |
| 27-18 | K3026916081-Y | UNION, KUE 12-040E | 3 | | |
| 27-19 | K3026910041-Y | UNION, KUE 10-020E | 2 | | |
| 27-20 | LM3200-0817Z2 | PLATE, MOUNTING FITTING | 1 | | |
| 27-21 | K0200080002 | WASHER, SPRING M8 | 4 | | |
| 27-22 | K0000080202 | BOLT, M8-20 | 4 | | |
| 27-23 | LM3200-0803Z2-Y | PIPE, C | 1 | | |
| 27-24 | LM3200-0802Z2-Y | PIPE, B | 1 | | |
| 27-25 | LM3200-0804Z2-Y | PIPE, D | 1 | | |
| 27-26 | K3028510041-Y | ELBOW, FOR HOSE HLD 10-20E | 1 | | |
| 27-27 | K3027210001-Y | TEE, KTC 10-000E | 2 | | |
| 27-28 | GM2800-0830Z2-Y | PLATE, FOR FIXTURE A | 1 | | |
| 27-29 | LM3200-0815Z2-Y | PIPE, L | 1 | | |
| 27-30 | K3282000070 | MOTOR, GEAR PLM20.20 | 3 | | |

27. Hydraulic section F (Type R)

LM3210

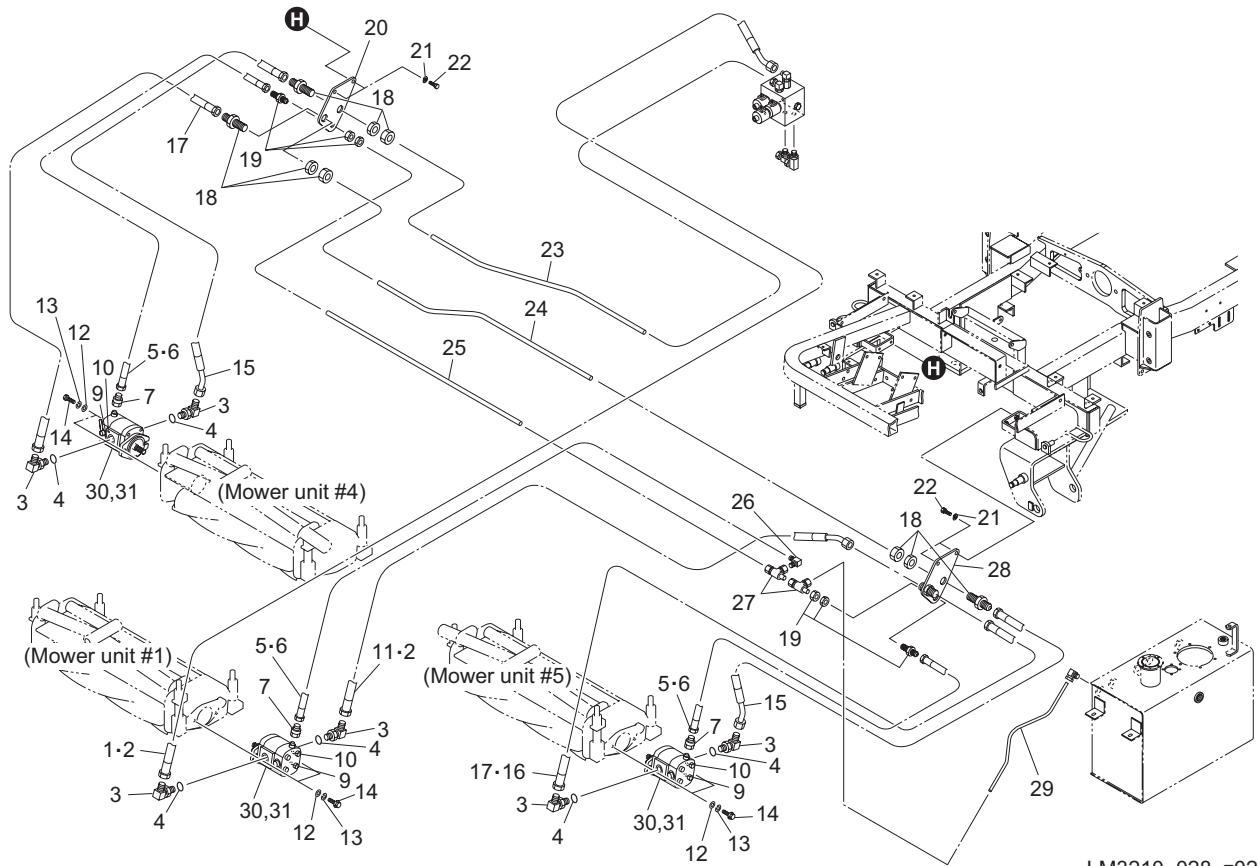


LM3210_027_z03

| Cat No. | Code No. | Part name | Qty | Remark | SN of application |
|---------|-----------|-----------------------|-----|--------|-------------------|
| 27-31 | Y62029050 | SEAL KIT, PLM20-01S9R | 3 | | |
| | | | | | |
| | | | | | |
| | | | | | |
| | | | | | |
| | | | | | |
| | | | | | |
| | | | | | |
| | | | | | |
| | | | | | |

28. Hydraulic section F (Type F)

LM3210

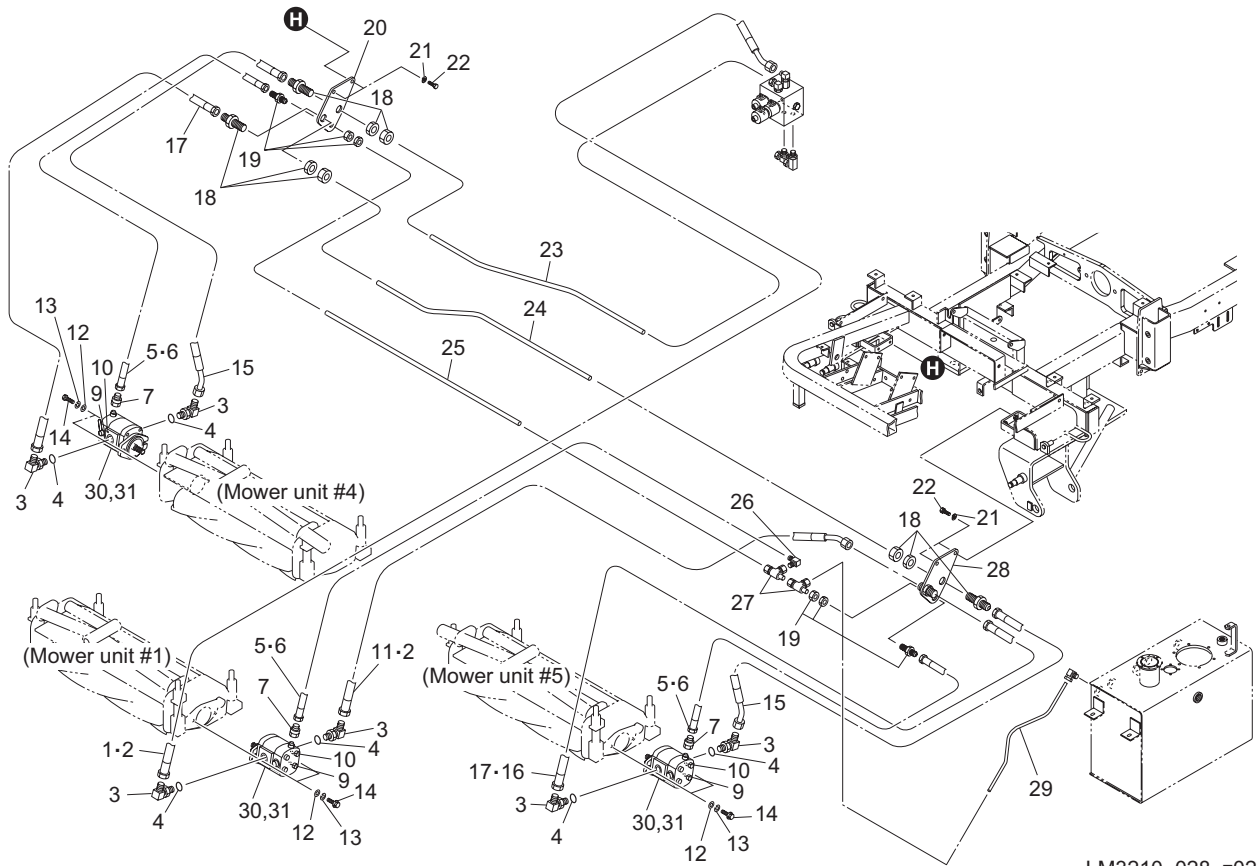


LM3210_028_z02

| Cat No. | Code No. | Part name | Qty | Remark | SN of application |
|---------|-----------------|--------------------------------------|-----|--------|-------------------|
| 28-1 | K3103411850 | HOSE, WP140-12-1-1850 | 1 | | |
| 28-2 | K3191016500 | TUBE, SPIRAL SP-15 1650 | 2 | | |
| 28-3 | K3008000042-Y | ADAPTOR, 90 DEG 1086-12 | 6 | | |
| 28-4 | K0881018000 | O-RING, P18B | 6 | | |
| 28-5 | K3101211650 | HOSE, WP70-6-1-1650 | 3 | | |
| 28-6 | K3190015500 | TUBE, SPIRAL SP-12 1550 | 3 | | |
| 28-7 | K3008000232-Y | CONNECTOR, WITH O-RING PF1/4 X PF1/4 | 3 | | |
| 28-8 | | | | | |
| 28-9 | K4203001310 | DECAL, REEL STOP | 3 | | |
| 28-10 | K4203001300 | DECAL, REEL ROTATION | 3 | | |
| 28-11 | K3103421850 | HOSE, WP140-12-2-1850 | 1 | | |
| 28-12 | K5000100002 | WASHER, M10 | 6 | | |
| 28-13 | K0200100002 | WASHER, SPRING M10 | 6 | | |
| 28-14 | K0008100302 | BOLT, SMALL M10-30 | 6 | | |
| 28-15 | LM3210-0808Z0 | HOSE, WP140-12-2-1820 | 2 | | |
| 28-16 | | | | | |
| 28-17 | LM3210-0807Z0 | HOSE, WP140-12-1-1800 | 2 | | |
| 28-18 | K3026916081-Y | UNION, KUE 12-040E | 3 | | |
| 28-19 | K3026910041-Y | UNION, KUE 10-020E | 2 | | |
| 28-20 | LM3200-0817Z2 | PLATE, MOUNTING FITTING | 1 | | |
| 28-21 | K0200080002 | WASHER, SPRING M8 | 4 | | |
| 28-22 | K0000080202 | BOLT, M8-20 | 4 | | |
| 28-23 | LM3200-0803Z2-Y | PIPE, C | 1 | | |
| 28-24 | LM3200-0802Z2-Y | PIPE, B | 1 | | |
| 28-25 | LM3200-0804Z2-Y | PIPE, D | 1 | | |
| 28-26 | K3028510041-Y | ELBOW, FOR HOSE HLD 10-20E | 1 | | |
| 28-27 | K3027210001-Y | TEE, KTC 10-000E | 2 | | |
| 28-28 | GM2800-0830Z2-Y | PLATE, FOR FIXTURE A | 1 | | |
| 28-29 | LM3200-0815Z2-Y | PIPE, L | 1 | | |
| 28-30 | K3282000060 | MOTOR, GEAR PLM20.16 | 3 | | |

28. Hydraulic section F (Type F)

LM3210

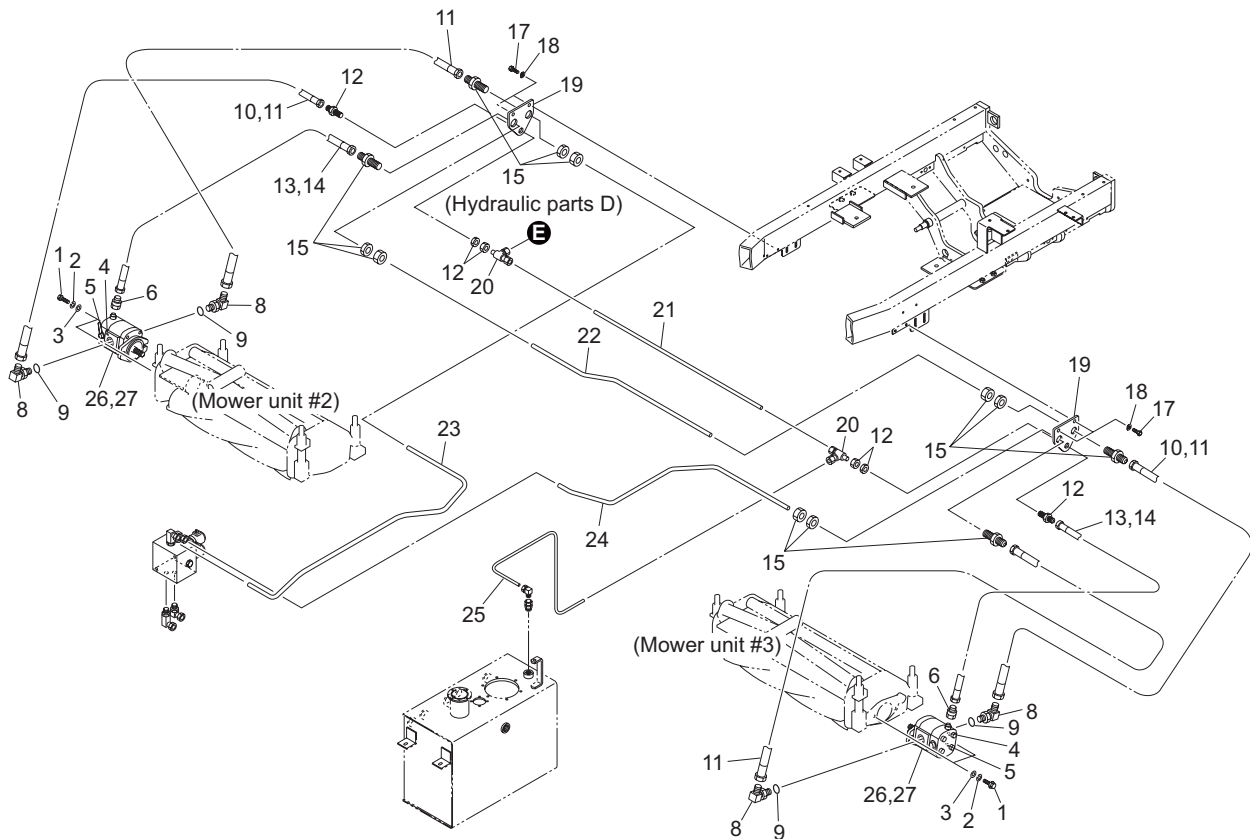


LM3210_028_z02

| Cat No. | Code No. | Part name | Qty | Remark | SN of application |
|---------|-----------|-----------------------|-----|--------|-------------------|
| 28-31 | Y62029050 | SEAL KIT, PLM20-01S9R | 3 | | |
| | | | | | |
| | | | | | |
| | | | | | |
| | | | | | |
| | | | | | |
| | | | | | |
| | | | | | |
| | | | | | |
| | | | | | |

29. Hydraulic section G (Type R)

LM3210

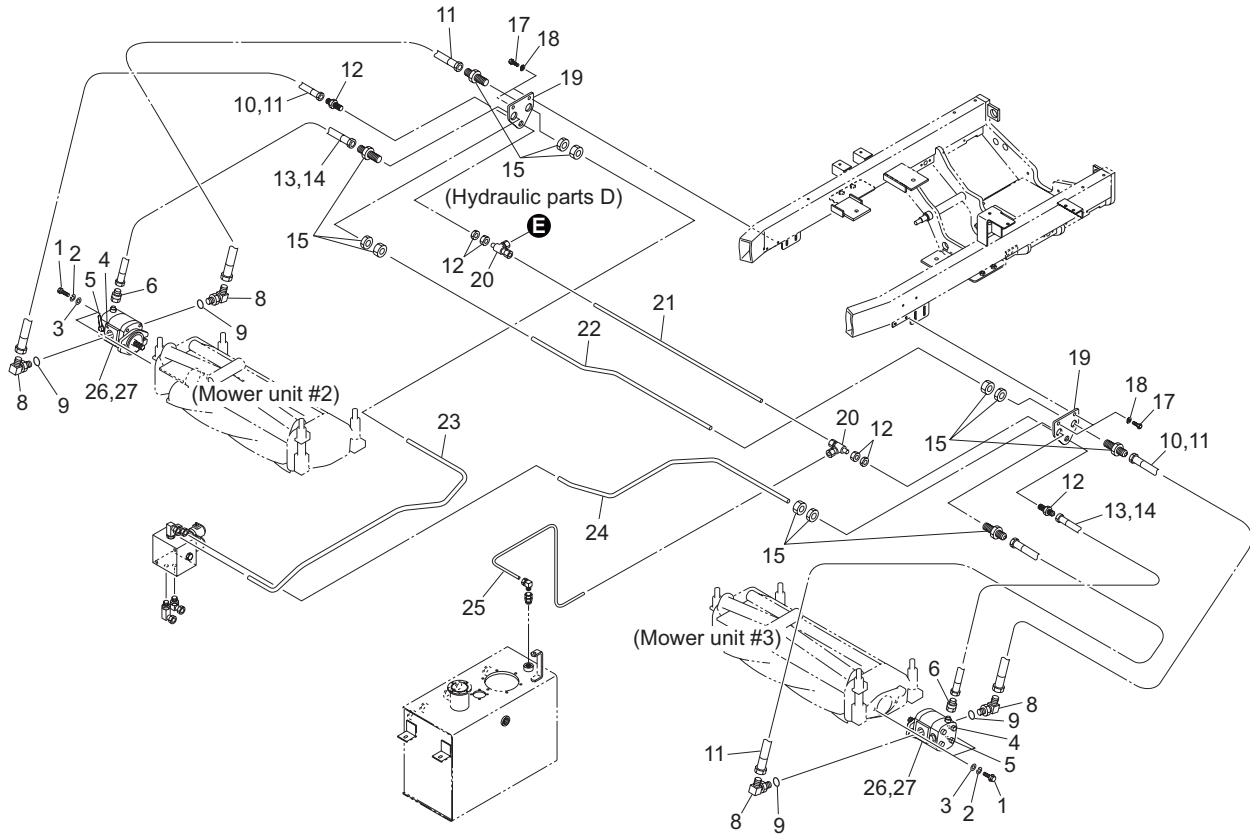


LM3210_029_z02

| Cat No. | Code No. | Part name | Qty | Remark | SN of application |
|---------|-----------------|--------------------------------------|-----|--------|-------------------|
| 29-1 | K0008100302 | BOLT, SMALL M10-30 | 4 | | |
| 29-2 | K0200100002 | WASHER, SPRING M10 | 4 | | |
| 29-3 | K5000100002 | WASHER, M10 | 4 | | |
| 29-4 | K4203001300 | DECAL, REEL ROTATION | 2 | | |
| 29-5 | K4203001310 | DECAL, REEL STOP | 2 | | |
| 29-6 | K3008000232-Y | CONNECTOR, WITH O-RING PF1/4 X PF1/4 | 2 | | |
| 29-7 | | | | | |
| 29-8 | K3008000042-Y | ADAPTOR, 90 DEG 1086-12 | 4 | | |
| 29-9 | K0881018000 | O-RING, P18B | 4 | | |
| 29-10 | K3103411270 | HOSE, WP140-12-1-1270 | 4 | | |
| 29-11 | K3191010700 | TUBE, SPIRAL SP-15 1070 | 4 | | |
| 29-12 | K3026910041-Y | UNION, KUE 10-020E | 2 | | |
| 29-13 | K3101211100 | HOSE, WP70-6-1-1100 | 2 | | |
| 29-14 | K3190010000 | TUBE, SPIRAL SP-12 1000 | 2 | | |
| 29-15 | K3026916081-Y | UNION, KUE 12-040E | 4 | | |
| 29-16 | | | | | |
| 29-17 | K0000080202 | BOLT, M8-20 | 4 | | |
| 29-18 | K0200080002 | WASHER, SPRING M8 | 4 | | |
| 29-19 | GM2800-0831ZD | PLATE, FOR FIXTURE B | 2 | | |
| 29-20 | K3027210001-Y | TEE, KTC 10-000E | 2 | | |
| 29-21 | LM3200-0810Z2-Y | PIPE, J | 1 | | |
| 29-22 | LM3200-0808Z2-Y | PIPE, H | 1 | | |
| 29-23 | LM3200-0809Z2-Y | PIPE, I | 1 | | |
| 29-24 | LM3200-0807Z2-Y | PIPE, G | 1 | | |
| 29-25 | GM2800-0875Z2-Y | PIPE, N | 1 | | |
| 29-26 | K3282000070 | MOTOR, GEAR PLM20.20 | 2 | | |
| 29-27 | Y62029050 | SEAL KIT, PLM20-01S9R | 2 | | |

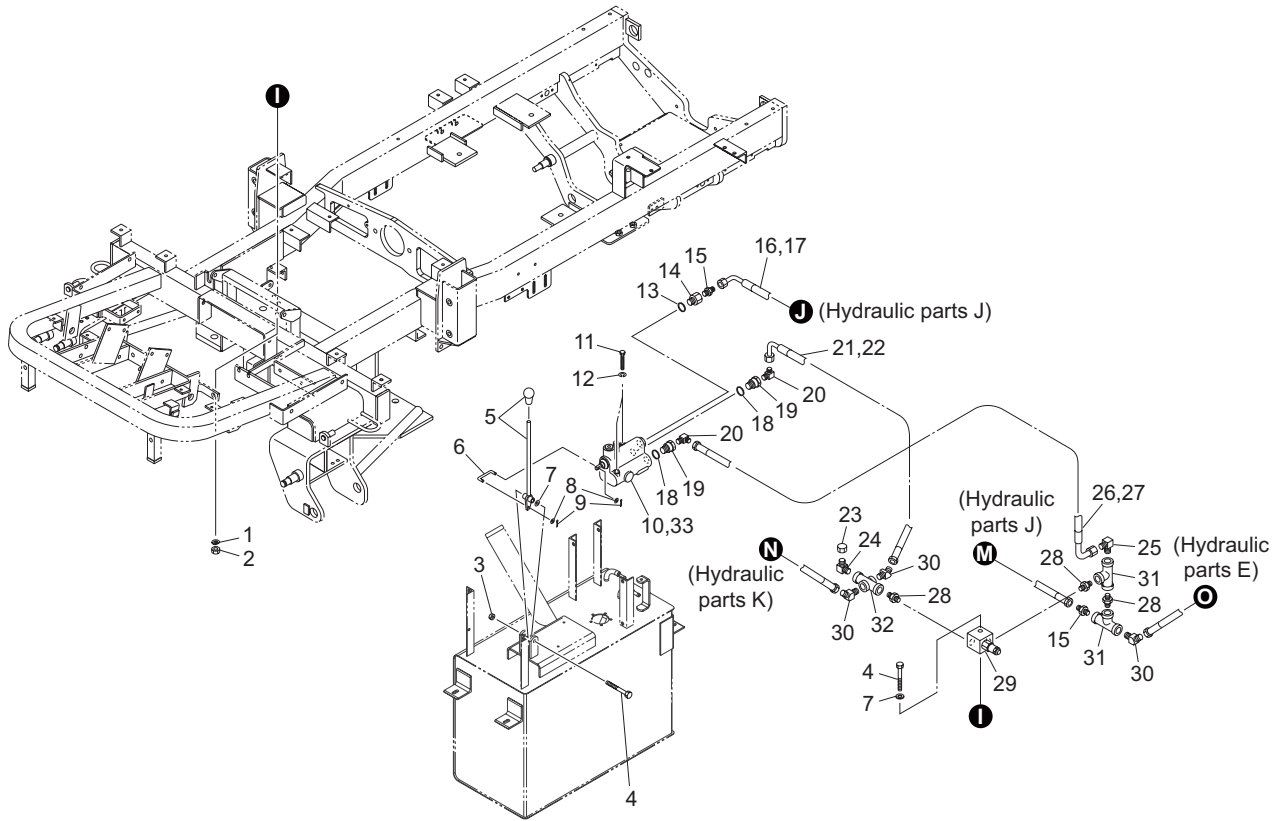
30. Hydraulic section G (Type F)

LM3210



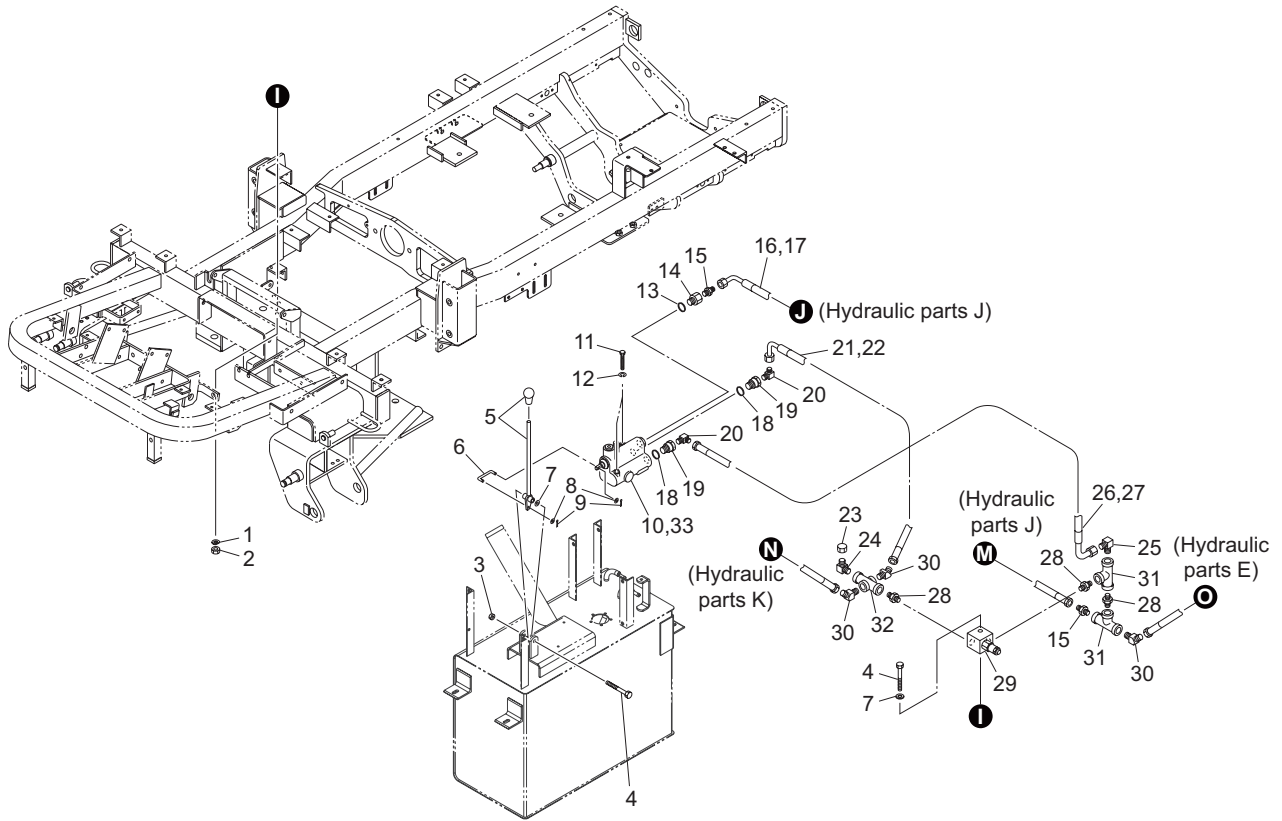
LM3210_030_z02

| Cat No. | Code No. | Part name | Qty | Remark | SN of application |
|---------|-----------------|--------------------------------------|-----|--------|-------------------|
| 30-1 | K0008100302 | BOLT, SMALL M10-30 | 4 | | |
| 30-2 | K0200100002 | WASHER, SPRING M10 | 4 | | |
| 30-3 | K5000100002 | WASHER, M10 | 4 | | |
| 30-4 | K4203001300 | DECAL, REEL ROTATION | 2 | | |
| 30-5 | K4203001310 | DECAL, REEL STOP | 2 | | |
| 30-6 | K3008000232-Y | CONNECTOR, WITH O-RING PF1/4 X PF1/4 | 2 | | |
| 30-7 | | | | | |
| 30-8 | K3008000042-Y | ADAPTOR, 90 DEG 1086-12 | 4 | | |
| 30-9 | K0881018000 | O-RING, P18B | 4 | | |
| 30-10 | K3103411270 | HOSE, WP140-12-1-1270 | 4 | | |
| 30-11 | K3191010700 | TUBE, SPIRAL SP-15 1070 | 4 | | |
| 30-12 | K3026910041-Y | UNION, KUE 10-020E | 2 | | |
| 30-13 | K3101211100 | HOSE, WP70-6-1-1100 | 2 | | |
| 30-14 | K3190010000 | TUBE, SPIRAL SP-12 1000 | 2 | | |
| 30-15 | K3026916081-Y | UNION, KUE 12-040E | 4 | | |
| 30-16 | | | | | |
| 30-17 | K0000080202 | BOLT, M8-20 | 4 | | |
| 30-18 | K0200080002 | WASHER, SPRING M8 | 4 | | |
| 30-19 | GM2800-0831ZD | PLATE, FOR FIXTURE B | 2 | | |
| 30-20 | K3027210001-Y | TEE, KTC 10-000E | 2 | | |
| 30-21 | LM3200-0810Z2-Y | PIPE, J | 1 | | |
| 30-22 | LM3200-0808Z2-Y | PIPE, H | 1 | | |
| 30-23 | LM3200-0809Z2-Y | PIPE, I | 1 | | |
| 30-24 | LM3200-0807Z2-Y | PIPE, G | 1 | | |
| 30-25 | GM2800-0875Z2-Y | PIPE, N | 1 | | |
| 30-26 | K3282000060 | MOTOR, GEAR PLM20.16 | 2 | | |
| 30-27 | Y62029050 | SEAL KIT, PLM20-01S9R | 2 | | |



LM3210_031_z01

| Cat No. | Code No. | Part name | Qty | Remark | SN of application |
|---------|---------------|---|-----|--------|-------------------|
| 31-1 | K0200080002 | WASHER, SPRING M8 | 1 | | |
| 31-2 | K0100080002 | NUT, M8 | 1 | | |
| 31-3 | K0144080002 | NUT, WITH F-RING, M8 | 1 | | |
| 31-4 | K0000080502 | BOLT, M8-50 | 2 | | |
| 31-5 | GM2800-0804Z2 | LEVER, RAISING AND LOWERING MOWER | 1 | | |
| 31-6 | GM2800-0805Z2 | ROD | 1 | | |
| 31-7 | K5000080002 | WASHER, M8 | 2 | | |
| 31-8 | K5000050002 | WASHER, M5 | 2 | | |
| 31-9 | K0300016122 | PIN, COTTER M1.6-12 | 2 | | |
| 31-10 | K3321000030 | MANIHOLD, CONTROL VALVE | 1 | | |
| 31-11 | K0000060402 | BOLT, M6-40 | 2 | | |
| 31-12 | K0200060002 | WASHER, SPRING M6 | 2 | | |
| 31-13 | K0887009060 | O-RING, AS568-906 | 1 | | |
| 31-14 | K3008000242-Y | ADAPTOR, ODD SIZED 90 DEG 9/16-18UNFPT3/8 | 1 | | |
| 31-15 | K3007000062-Y | ADAPTOR, ODD SIZED PT3/8*PF1/4 | 2 | | |
| 31-16 | K3103230800 | HOSE, WP140-6-3-800 | 1 | | |
| 31-17 | K3190006000 | TUBE, SPIRAL SP-12 600 | 1 | | |
| 31-18 | K0887009080 | O-RING, AS568-908 | 2 | | |
| 31-19 | K3008000692-Y | CONNECTOR, WITH O-RING 4043-8-8 | 2 | | |
| 31-20 | K3006000022-Y | ELBOW, ODD SIZED PT1/2*PF3/8 | 2 | | |
| 31-21 | K3103330600 | HOSE, WP140-9-3-600 | 1 | | |
| 31-22 | K3191005000 | TUBE, SPIRAL SP-15 500 | 1 | | |
| 31-23 | K3008000482-Y | CAP, TAPPED FEMALE PF1/4 | 1 | | |
| 31-24 | K3006000012-Y | ELBOW, ODD SIZED PT3/8*PF1/4 | 1 | | |
| 31-25 | K3001090002-Y | ELBOW, 90 DEG. 1033-9 | 1 | | |
| 31-26 | K3103330400 | HOSE, WP140-9-3-400 | 1 | | |
| 31-27 | K3191003000 | TUBE, SPIRAL SP-15 300 | 1 | | |
| 31-28 | K3023060001-Y | NIPPLE, NS PT3/8 | 3 | | |
| 31-29 | K3315000050 | VALVE, RELIEF | 1 | | |
| 31-30 | K3003090002-Y | ELBOW, 45 DEG 1035-9 | 3 | | |

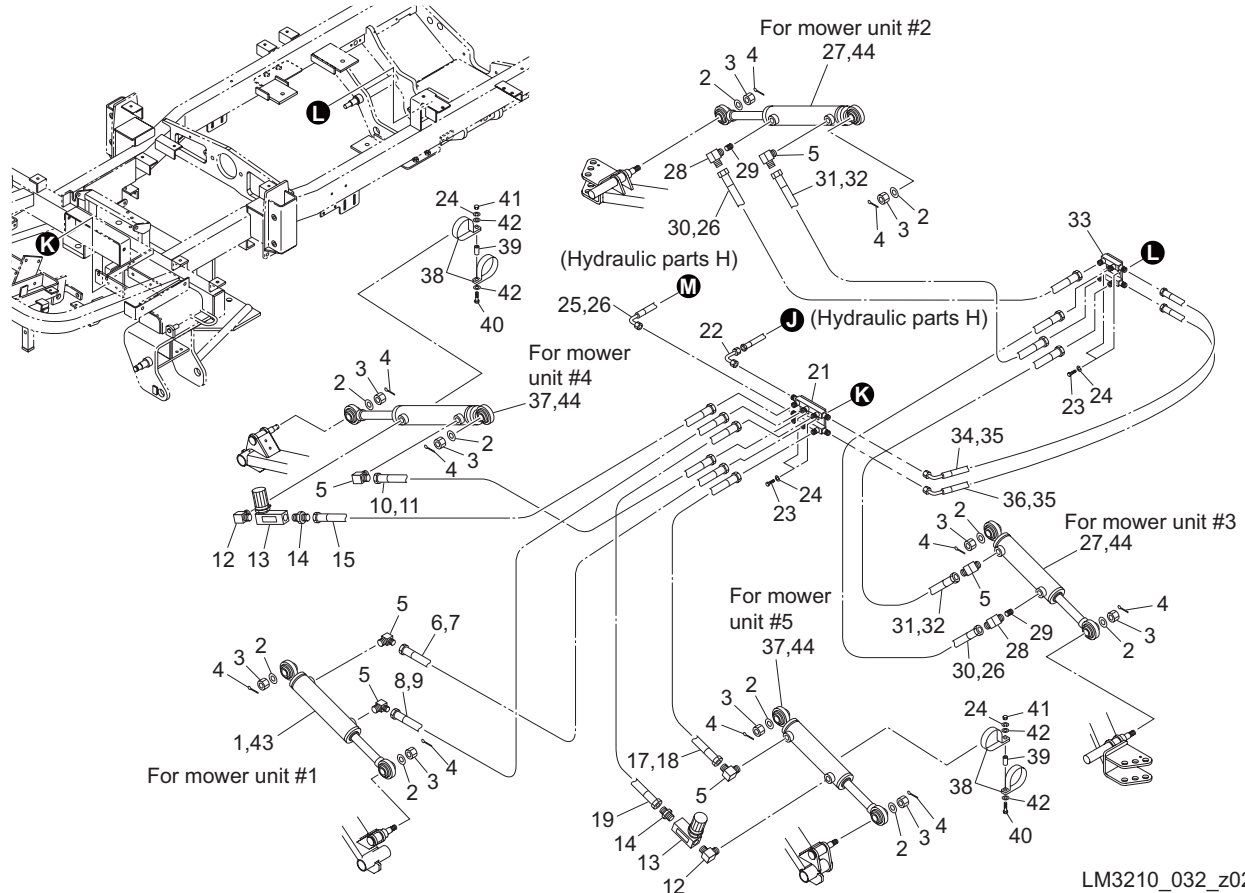


LM3210_031_z01

| Cat No. | Code No. | Part name | Qty | Remark | SN of application |
|---------|---------------|------------------------------|-----|--------|-------------------|
| 31-31 | K3024000042-Y | JOINT, CAST IRON PT3/8*PF3/8 | 2 | | |
| 31-32 | K3026006002-Y | CROSS, SCREWED SXA03 | 1 | | |
| 31-33 | K3321000030-1 | REPAIR KIT, 31921-927 | 1 | | |
| | | | | | |
| | | | | | |
| | | | | | |
| | | | | | |
| | | | | | |
| | | | | | |
| | | | | | |

32. Hydraulic section J

LM3210

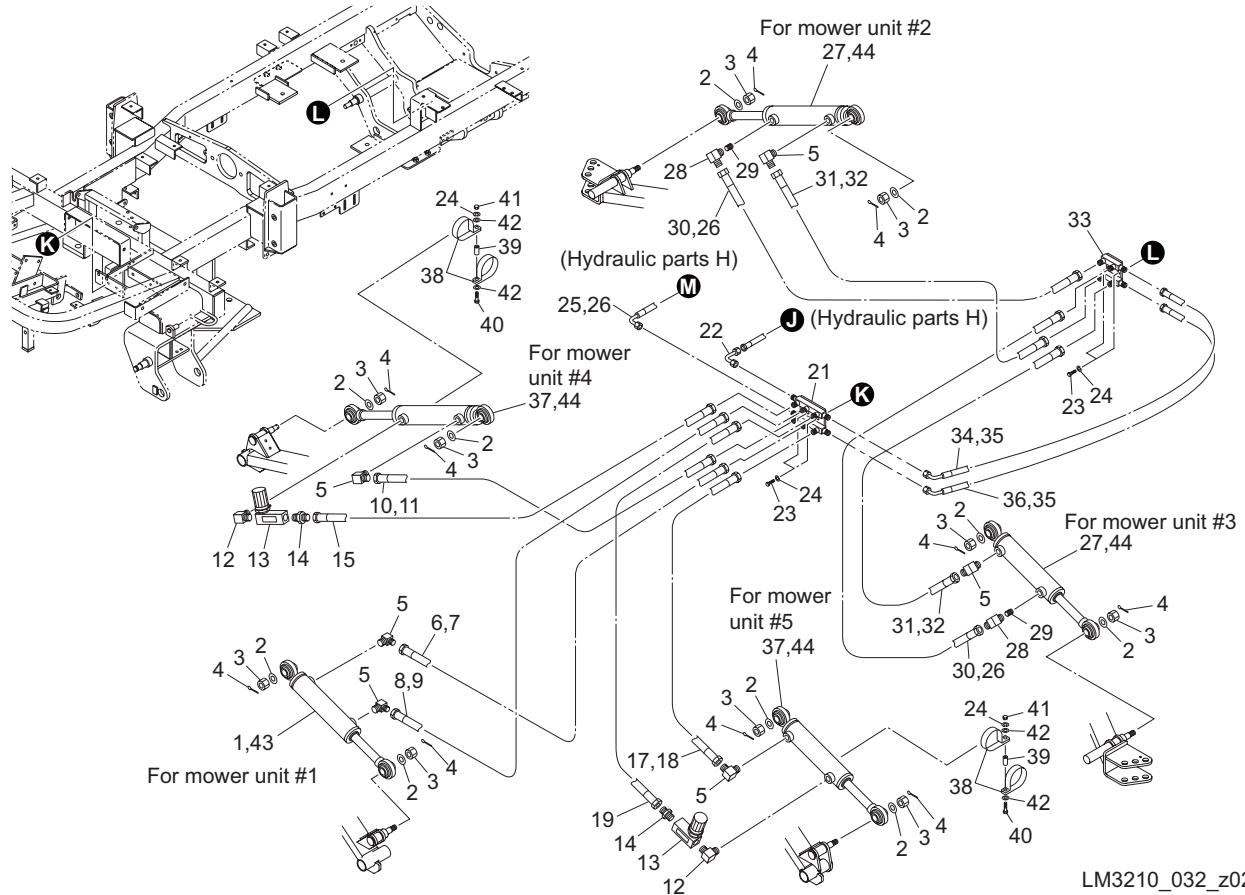


LM3210_032_z02

| Cat No. | Code No. | Part name | Qty | Remark | SN of application |
|---------|-----------------|-----------------------------|-----|--------|-------------------|
| 32-1 | K3213000150 | CYLINDER, 40-138 359 | 1 | | |
| 32-2 | K0215160001 | WASHER, DISK SPRING H M16-2 | 10 | | |
| 32-3 | K0122160002 | NUT, HIGH SLOTTED P1.5 M16 | 10 | | |
| 32-4 | K0300032402 | PIN, COTTER M3.2-40 | 10 | | |
| 32-5 | K3001060002-Y | ELBOW, 90 DEG 1033-6 | 6 | | |
| 32-6 | K3101210600 | HOSE, WP70-6-1-600 | 1 | | |
| 32-7 | K3190005000 | TUBE, SPIRAL SP-12 500 | 1 | | |
| 32-8 | K3103210480 | HOSE, WP140-6-1-480 | 1 | | |
| 32-9 | K3190003800 | TUBE, SPIRAL SP-12 380 | 1 | | |
| 32-10 | K3101210850 | HOSE, WP70-6-1-850 | 1 | | |
| 32-11 | K3190007500 | TUBE, SPIRAL SP-12 750 | 1 | | |
| 32-12 | K3006000042-Y | ELBOW, PT1/4 | 2 | | |
| 32-13 | K3332000050 | VALVE, SLOW RETURN HF02172 | 2 | | |
| 32-14 | K3000060002-Y | ADAPTOR, 1013-6 | 2 | | |
| 32-15 | LM3210-0809Z0 | HOSE, WP140-6-1-1000 | 1 | | |
| 32-16 | | | | | |
| 32-17 | K3101210750 | HOSE, WP70-6-1-750 | 1 | | |
| 32-18 | K3190006500 | TUBE, SPIRAL SP-12 650 | 1 | | |
| 32-19 | LM3210-0810Z0 | HOSE, WP140-6-1-940 | 1 | | |
| 32-20 | | | | | |
| 32-21 | GM2800-0802Z2-Y | MANIFOLD | 1 | | |
| 32-22 | K3025069042-Y | ADAPTOR, FOR PIPE 069-04 | 1 | | |
| 32-23 | K0000080202 | BOLT, M8-20 | 2 | | |
| 32-24 | K0200080002 | WASHER, SPRING M8 | 4 | | |
| 32-25 | K3101230500 | HOSE, WP70-6-3-500 | 1 | | |
| 32-26 | K3190004000 | TUBE, SPIRAL SP-12 400 | 3 | | |
| 32-27 | K3213000160 | CYLINDER, 45-110 270 | 2 | | |
| 32-28 | K3029000252-Y | ELBOW, 90 DEG 1033-6M6 | 2 | | |
| 32-29 | K0023000011-Y | SETSCREW, M6-6-1 | 2 | | |
| 32-30 | K3103210500 | HOSE, WP140-6-1-500 | 2 | | |

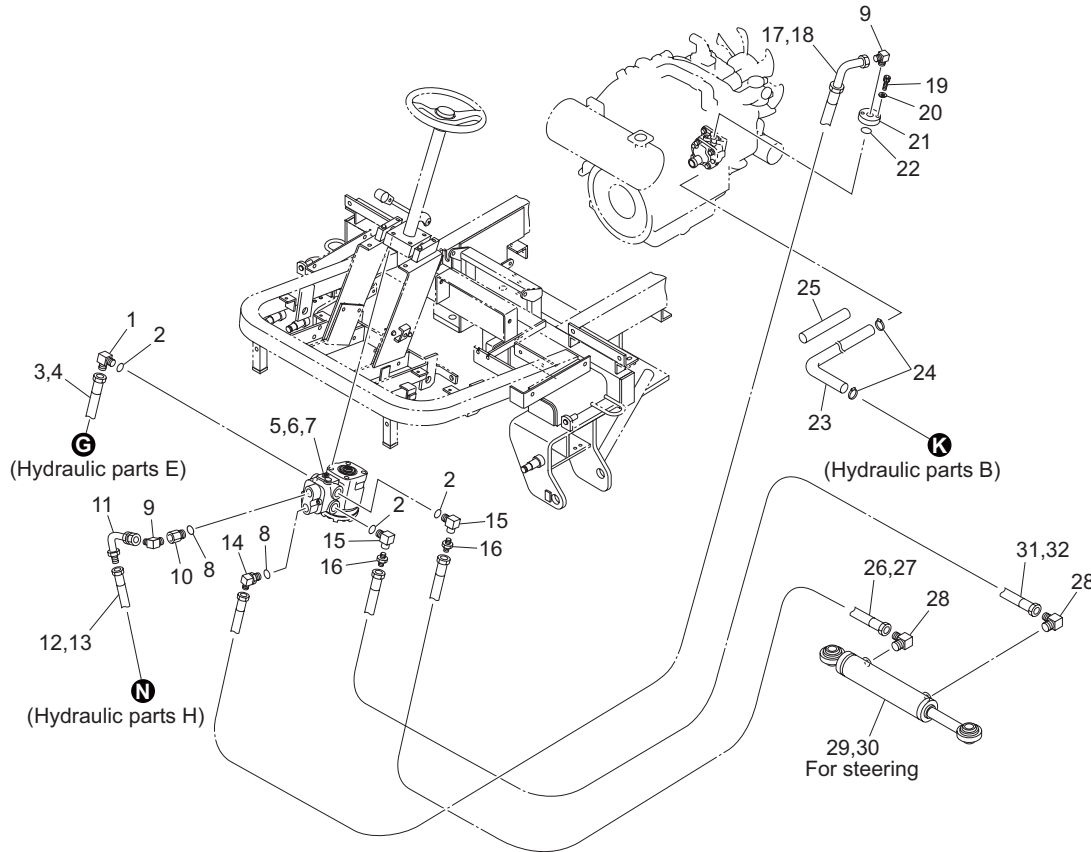
32.Hydraulic section J

LM3210



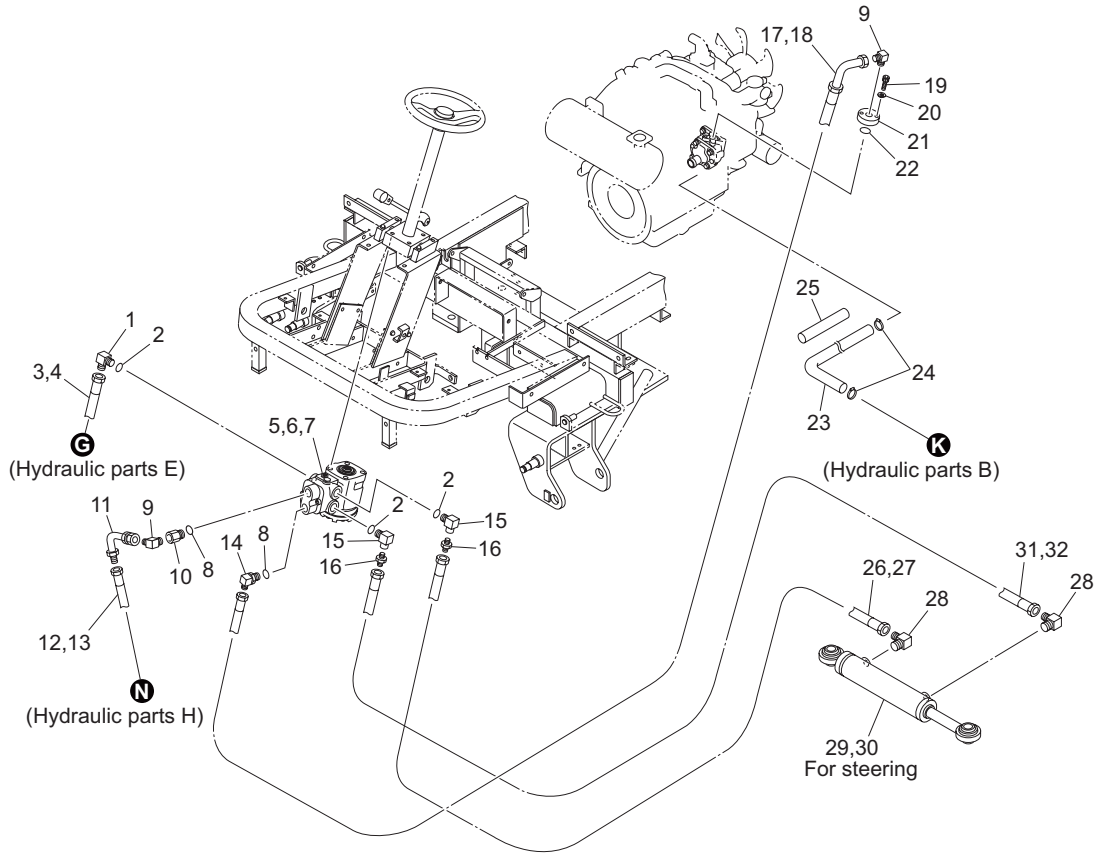
LM3210_032_z02

| Cat No. | Code No. | Part name | Qty | Remark | SN of application |
|---------|-----------------|--------------------------|-----|--------|-------------------|
| 32-31 | K3101210400 | HOSE, WP70-6-1-400 | 2 | | |
| 32-32 | K3190003000 | TUBE, SPIRAL SP-12 300 | 2 | | |
| 32-33 | GM2800-0803Z2-Y | MANIFOLD | 1 | | |
| 32-34 | K3103222000 | HOSE, WP140-6-2-2000 | 1 | | |
| 32-35 | K3190019000 | TUBE, SPIRAL SP-12 1900 | 2 | | |
| 32-36 | K3101222000 | HOSE, WP70-6-2-2000 | 1 | | |
| 32-37 | K3213000170 | CYLINDER, 45-195 397 | 2 | | |
| 32-38 | K4270050080 | CLIP, HARNESS 50 M8 | 4 | | |
| 32-39 | K6211000482 | COLLAR, SGP M9.2-13.8-14 | 2 | | |
| 32-40 | K0000080352 | BOLT, M8-35 | 2 | | |
| 32-41 | K0100080002 | NUT, M8 | 2 | | |
| 32-42 | K5000080002 | WASHER, M8 | 4 | | |
| 32-43 | YIS-40D-SK | SEAL KIT, CYLINDER | 1 | | |
| 32-44 | YIS-45B-SK | SEAL KIT, CYLINDER | 4 | | |
| | | | | | |
| | | | | | |
| | | | | | |
| | | | | | |



LM3210_033_z00

| Cat No. | Code No. | Part name | Qty | Remark | SN of application |
|---------|-----------------|--------------------------------------|-----|--------|-------------------|
| 33-1 | K3008000032-Y | ADAPTOR, 90 DEG 1086-9 | 1 | | |
| 33-2 | K0881014000 | O-RING, P14B | 3 | | |
| 33-3 | K3101311850 | HOSE, WP70-9-1-1850 | 1 | | |
| 33-4 | K3191017500 | TUBE, SPIRAL SP-15 1750 | 1 | | |
| 33-5 | K3294000120 | STEERING, ORBIT ROLL LC-D1-E | 1 | | |
| 33-6 | YBA0271A | SEAL KIT, ORBIT ROLL UA-B4-D | 1 | | |
| 33-7 | YBK0039A | SEAL KIT, ORBIT ROLL LB-D1-A | 1 | | |
| 33-8 | K0881018000 | O-RING, P18B | 2 | | |
| 33-9 | K3001090002-Y | ELBOW, 90 DEG. 1033-9 | 2 | | |
| 33-10 | K3029000042-Y | BUSHING, PF1/2*PT3/8 | 1 | | |
| 33-11 | K3025069062-Y | ADAPTOR, FOR PIPE 069-06 | 1 | | |
| 33-12 | K3103311050 | HOSE, WP140-9-1-1050 | 1 | | |
| 33-13 | K3191009500 | TUBE, SPIRAL SP-15 950 | 1 | | |
| 33-14 | K3008000352-Y | ELBOW, 90 DEG. ODD SIZED PF3/8 PF1/2 | 1 | | |
| 33-15 | K3008000082-Y | ADAPTOR, 90 DEG PF3/8PT1/4 | 2 | | |
| 33-16 | K3000060002-Y | ADAPTOR, 1013-6 | 2 | | |
| 33-17 | K3103322330 | HOSE, WP140-9-2-2330 | 1 | | |
| 33-18 | K3191022300 | TUBE, SPIRAL SP-15 2230 | 1 | | |
| 33-19 | K0000080252 | BOLT, M8-25 | 2 | | |
| 33-20 | K0200080002 | WASHER, SPRING M8 | 2 | | |
| 33-21 | LM2700-0811Z2-Y | FLANGE, PUMP | 1 | | |
| 33-22 | K0881020000 | O-RING, P20B | 1 | | |
| 33-23 | GM2800-0863A0 | HOSE, SUCTION 25-1050 | 1 | | |
| 33-24 | K4260000190 | CLAMP, HOSE JUBILEE BAND 1 | 2 | | |
| 33-25 | K3172501200 | HOSE, VINYL 38*44-120 | 1 | | |
| 33-26 | K3103213300 | HOSE, WP140-6-1-3300 | 1 | | |
| 33-27 | K3190032000 | TUBE, SPIRAL SP-12 3200 | 1 | | |
| 33-28 | K3001060002-Y | ELBOW, 90 DEG 1033-6 | 2 | | |
| 33-29 | K3213000190 | CYLINDER, 40-187-393 | 1 | | |
| 33-30 | YIS-40A-SK | SEAL KIT, CYLINDER | 1 | | |

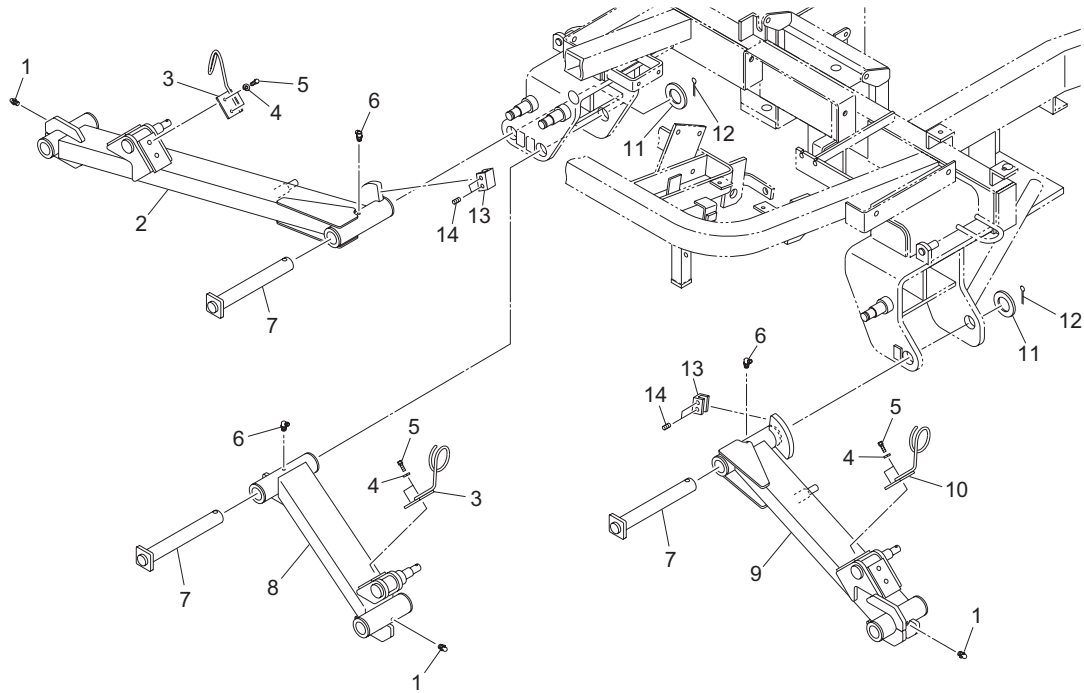


LM3210_033_z00

| Cat No. | Code No. | Part name | Qty | Remark | SN of application |
|---------|-------------|-------------------------|-----|--------|-------------------|
| 33-31 | K3103213500 | HOSE, WP140-6-1-3500 | 1 | | |
| 33-32 | K3190034000 | TUBE, SPIRAL SP-12 3400 | 1 | | |
| | | | | | |
| | | | | | |
| | | | | | |
| | | | | | |
| | | | | | |
| | | | | | |
| | | | | | |
| | | | | | |

34.Lift arm section (#1,4,5)

LM3210

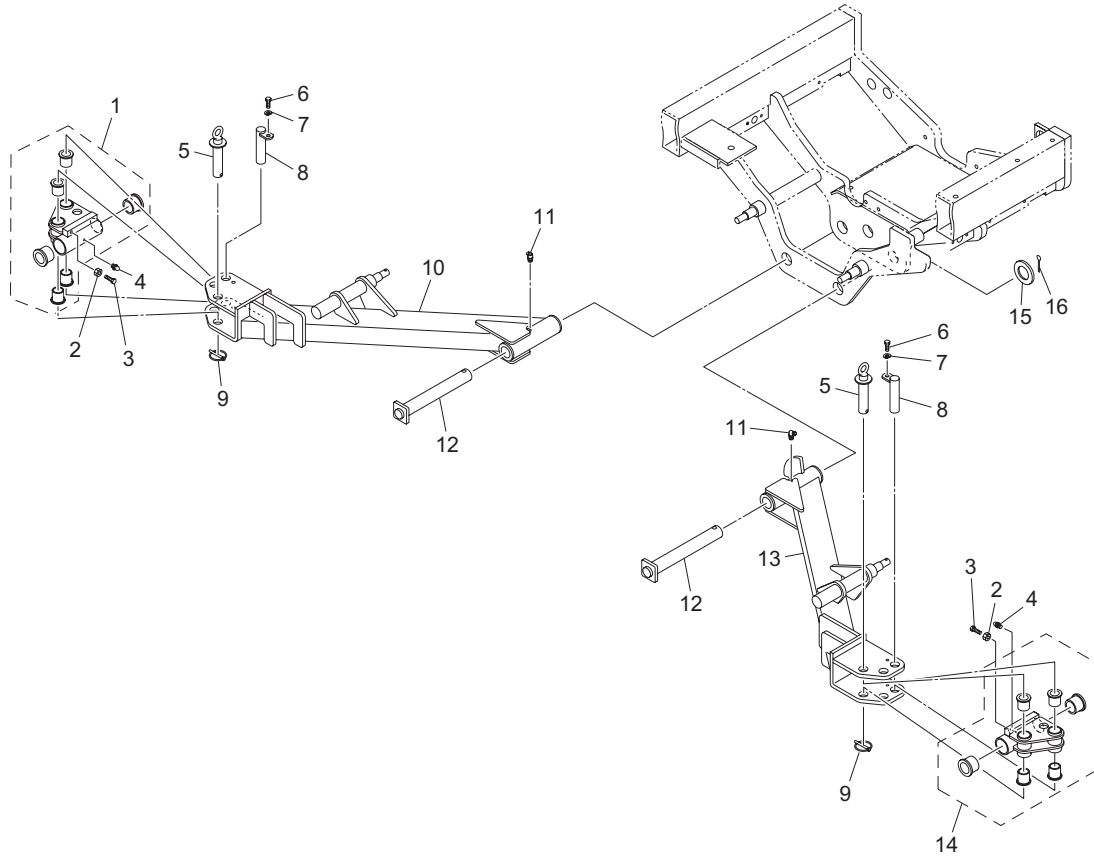


LM3210_034_a00

| Cat No. | Code No. | Part name | Qty | Remark | SN of application |
|---------|---------------|------------------------|-----|--------|-------------------|
| 34-1 | K1440000010 | GREASE NIPPLE, A TYPE | 3 | | |
| 34-2 | LM3200-0204ZD | ARM, LIFT #4 | 1 | | |
| 34-3 | LM2700-0232Z2 | GUIDE, HOSE B | 2 | | |
| 34-4 | K0200080002 | WASHER, SPRING M8 | 3 | | |
| 34-5 | K0000080202 | BOLT, M8-20 | 3 | | |
| 34-6 | K1440000020 | GREASE NIPPLE, C | 3 | | |
| 34-7 | K7147000232 | PIN, WITH HOLE M30-196 | 3 | | |
| 34-8 | LM3200-0201ZD | ARM, LIFT #1 | 1 | | |
| 34-9 | LM3200-0205ZD | ARM, LIFT #5 | 1 | | |
| 34-10 | LM2700-0234Z2 | GUIDE, HOSE D | 1 | | |
| 34-11 | K5012330452 | WASHER, SPCC 2.3-30-45 | 3 | | |
| 34-12 | K0300040502 | PIN, COTTER M4-50 | 3 | | |
| 34a-13 | GM2800-0215Z2 | STOPPER, MOWER | 2 | | |
| 34a-14 | K0028260100 | SETSCREW, SUS M6-10 | 4 | | |
| | | | | | |
| | | | | | |
| | | | | | |
| | | | | | |

35.Lift arm section (#2,3)

LM3210

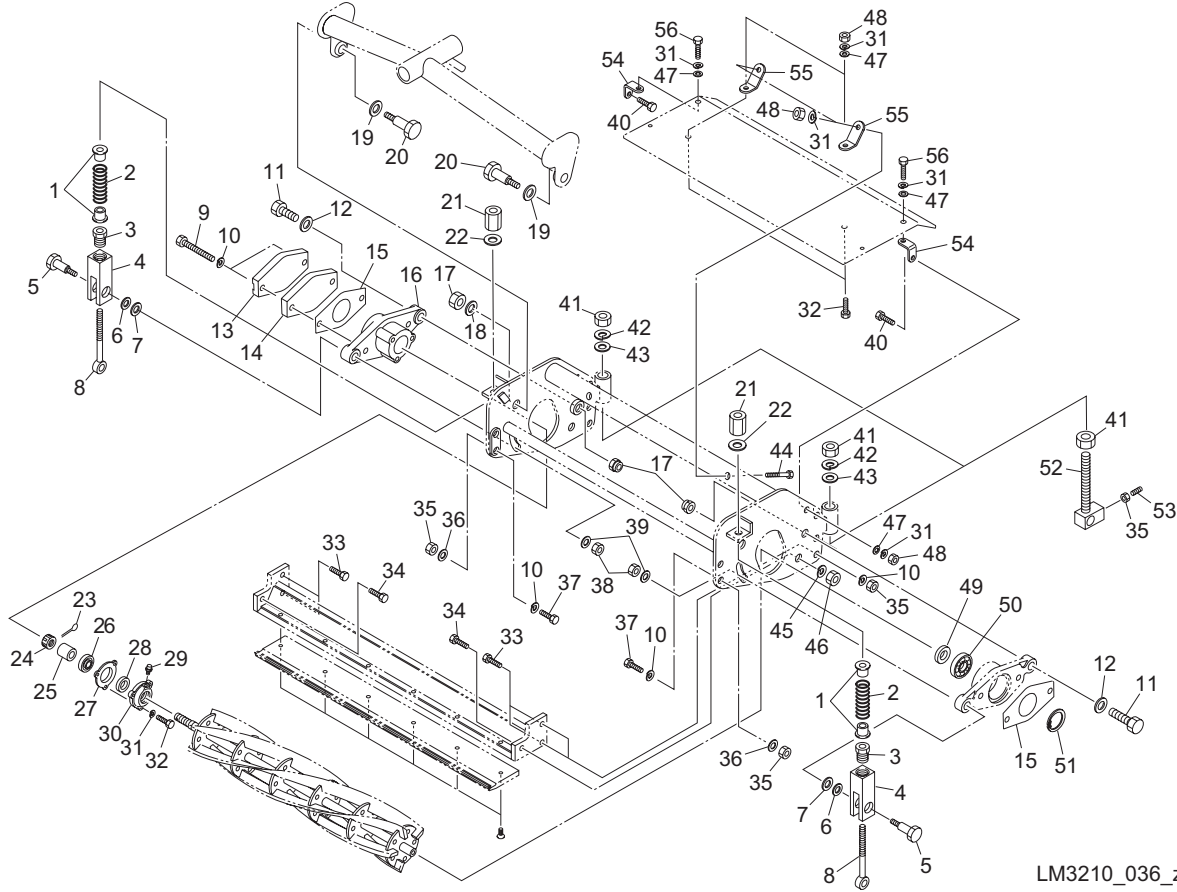


LM3210_035_z00

| Cat No. | Code No. | Part name | Qty | Remark | SN of application |
|---------|---------------|------------------------|-----|--------|-------------------|
| 35-1 | GM2800-0212ZD | FITTING, ROTATING #2 | 1 | | |
| 35-2 | K0100080002 | NUT, M8 | 2 | | |
| 35-3 | K0000080302 | BOLT, M8-30 | 2 | | |
| 35-4 | K1440000010 | GREASE NIPPLE, A TYPE | 2 | | |
| 35-5 | GM2800-0213A2 | PIN, WITH GRIP | 2 | | |
| 35-6 | K0000080202 | BOLT, M8-20 | 2 | | |
| 35-7 | K0200080002 | WASHER, SPRING M8 | 2 | | |
| 35-8 | LM2700-0211B2 | SHAFT, SLEWING (REAR) | 2 | | |
| 35-9 | K6061060002 | PIN, CLIP M6 | 2 | | |
| 35-10 | LM3200-0202ZD | ARM, LIFT #2 | 1 | | |
| 35-11 | K1440000020 | GREASE NIPPLE, C | 2 | | |
| 35-12 | K7147000232 | PIN, WITH HOLE M30-196 | 2 | | |
| 35-13 | LM3200-0203ZD | ARM, LIFT #3 | 1 | | |
| 35-14 | GM2800-0211ZD | FITTING, ROTATING #3 | 1 | | |
| 35-15 | K5012330452 | WASHER, SPCC 2.3-30-45 | 2 | | |
| 35-16 | K0300040502 | PIN, COTTER M4-50 | 2 | | |
| | | | | | |
| | | | | | |

36.Mower section Ass'y (#1,3,5)

LM3210

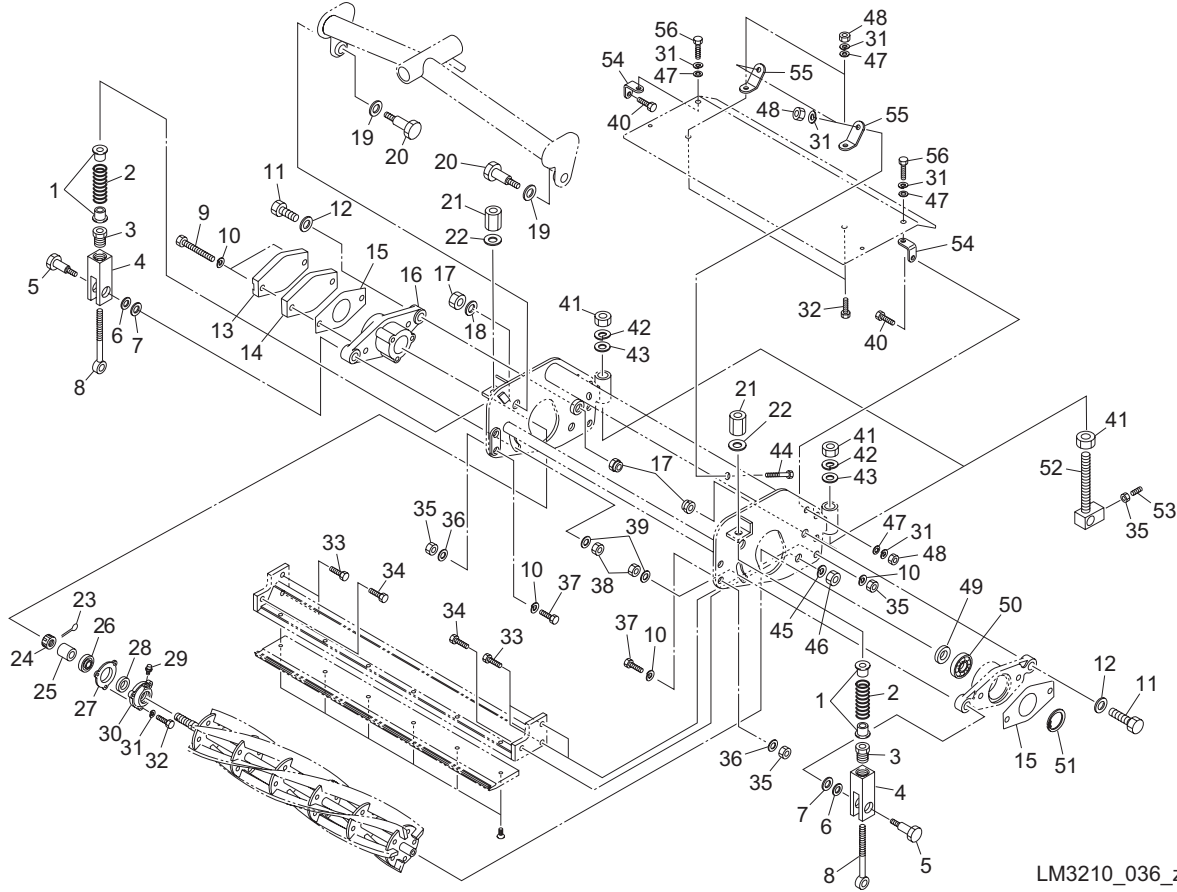


LM3210_036_z01

| Cat No. | Code No. | Part name | Qty | Remark | SN of application |
|---------|---------------|-----------------------------------|-----|--------|-------------------|
| 36-1 | K6206000052 | RECEIVER, FOR SPRING | 4 | | |
| 36-2 | K1000000458 | SPRING, COMPRESSION M5-25-60 | 2 | | |
| 36-3 | K6081000082 | PIPE, WITH CUTTER ADJUSTING SCREW | 2 | | |
| 36-4 | K6090000552 | MOUNT, ADJUSTING SCREW | 2 | | |
| 36-5 | K6082000122 | BOLT, STEPPED FOR FIXING HOUSING | 2 | | |
| 36-6 | K0214100002 | WASHER, DISK SPRING L M10-2 | 2 | | |
| 36-7 | K5012310172 | WASHER, SPCC 2.3-10-17 | 2 | | |
| 36-8 | K7303000182 | BOLT, ADJUSTING CUTTER | 2 | | |
| 36-9 | K0000100702 | BOLT, M10-70 | 2 | | |
| 36-10 | K0200100002 | WASHER, SPRING M10 | 8 | | |
| 36-11 | K0071001132 | BOLT, AXIS | 2 | | |
| 36-12 | K5012314252 | WASHER, SPCC 2.3-14-25 | 2 | | |
| 36-13 | K690300017D | COVER, REEL HOUSING | 1 | | |
| 36-14 | LM2700-1201ZD | WEIGHT, MOWER | 1 | | |
| 36-15 | K4011000290 | PACKING, OIL-SHEET | 2 | | |
| 36-16 | K6903000212 | HOUSING, REEL CUTTER | 1 | | |
| 36-17 | K0105140002 | NUT, P1.5 M14-3 | 4 | | |
| 36-18 | K0212140002 | WASHER, DISK SPRING L M14-1 | 2 | | |
| 36-19 | K5011020282 | WASHER, SPCC 1-20-28 | 2 | | |
| 36-20 | K6082000132 | BOLT, STEPPED FOR FIXING FRAME | 2 | | |
| 36-21 | LM56G--0506Z2 | NUT, HIGH M10-17-35 P1.0 | 2 | | |
| 36-22 | K5051010160 | WASHER, C5191P 1-10-16 | 2 | | |
| 36-23 | K0300032252 | PIN, COTTER M3.2-25 | 1 | | |
| 36-24 | K0170000012 | NUT, SPECIAL M20 | 1 | | |
| 36-25 | K6212001742 | COLLAR, STKM M20.2-28-18 | 1 | | |
| 36-26 | K0602063040 | BEARING, BALL SHIELD Z 6304 | 1 | | |
| 36-27 | K4011000150 | PACKING, OIL-SHEET | 1 | | |
| 36-28 | K0822542080 | OIL SEAL, MHTA25428 | 1 | | |
| 36-29 | K1440000010 | GREASE NIPPLE, A TYPE | 1 | | |
| 36-30 | K6903000042 | CAP, HOUSING | 1 | | |

36.Mower section Ass'y (#1,3,5)

LM3210

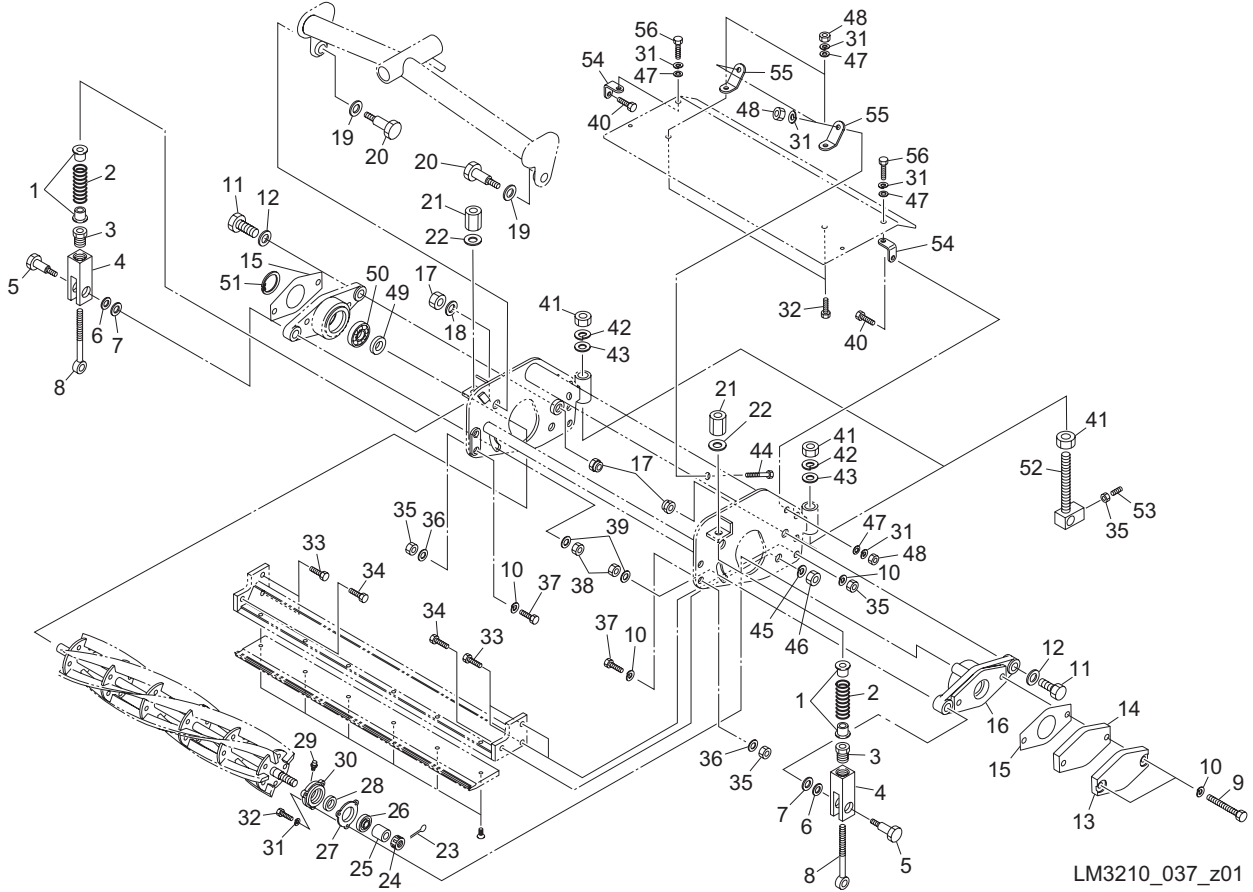


LM3210_036_z01

| Cat No. | Code No. | Part name | Qty | Remark | SN of application |
|---------|---------------|---------------------------------|-----|--------|-------------------|
| 36-31 | K0200060002 | WASHER, SPRING M6 | 11 | | |
| 36-32 | K0000060152 | BOLT, M6-15 | 5 | | |
| 36-33 | K0000100252 | BOLT, M10-25 | 4 | | |
| 36-34 | K0000120302 | BOLT, M12-30 | 2 | | |
| 36-35 | K0100100002 | NUT, M10 | 8 | | |
| 36-36 | K5000100002 | WASHER, M10 | 4 | | |
| 36-37 | K0000100352 | BOLT, M10-35 | 4 | | |
| 36-38 | K0145100002 | NUT, WITH F-RING, P1.25 M10 | 2 | | |
| 36-39 | K5073210242 | WASHER, SPHC 3.2-10-24 | 2 | | |
| 36-40 | K0000060202 | BOLT, M6-20 | 2 | | |
| 36-41 | K0108180002 | NUT, P1.5 M18-3 | 4 | | |
| 36-42 | K0200180002 | WASHER, SPRING M18 | 2 | | |
| 36-43 | K5012018282 | WASHER, SPCC 2-18-28 | 2 | | |
| 36-44 | K0000060502 | BOLT, M6-50 | 2 | | |
| 36-45 | K0200120002 | WASHER, SPRING M12 | 2 | | |
| 36-46 | K0100120002 | NUT, M12 | 2 | | |
| 36-47 | K5000060002 | WASHER, M6 | 6 | | |
| 36-48 | K0100060002 | NUT, M6 | 6 | | |
| 36-49 | K0823560120 | OIL SEAL, MHSA356012 | 1 | | |
| 36-50 | K0602062070 | BEARING, BALL SHIELD Z 6207 | 1 | | |
| 36-51 | K0402072001 | RING, RETAINING R M72 | 1 | | |
| 36-52 | LM526A-0108Z2 | SCREW, ADJUSTING CUTTING HEIGHT | 2 | | |
| 36-53 | K0023100251 | SETSCREW, M10-25 | 2 | | |
| 36-54 | K5206000522 | PLATE, FOR FIXING COVER | 2 | | |
| 36-55 | K527600041R | PLATE, FOR FIXING COVER | 2 | | |
| 36-56 | K0000060102 | BOLT, M6-10 | 2 | | |

37.Mower section Ass'y (#2,4)

LM3210

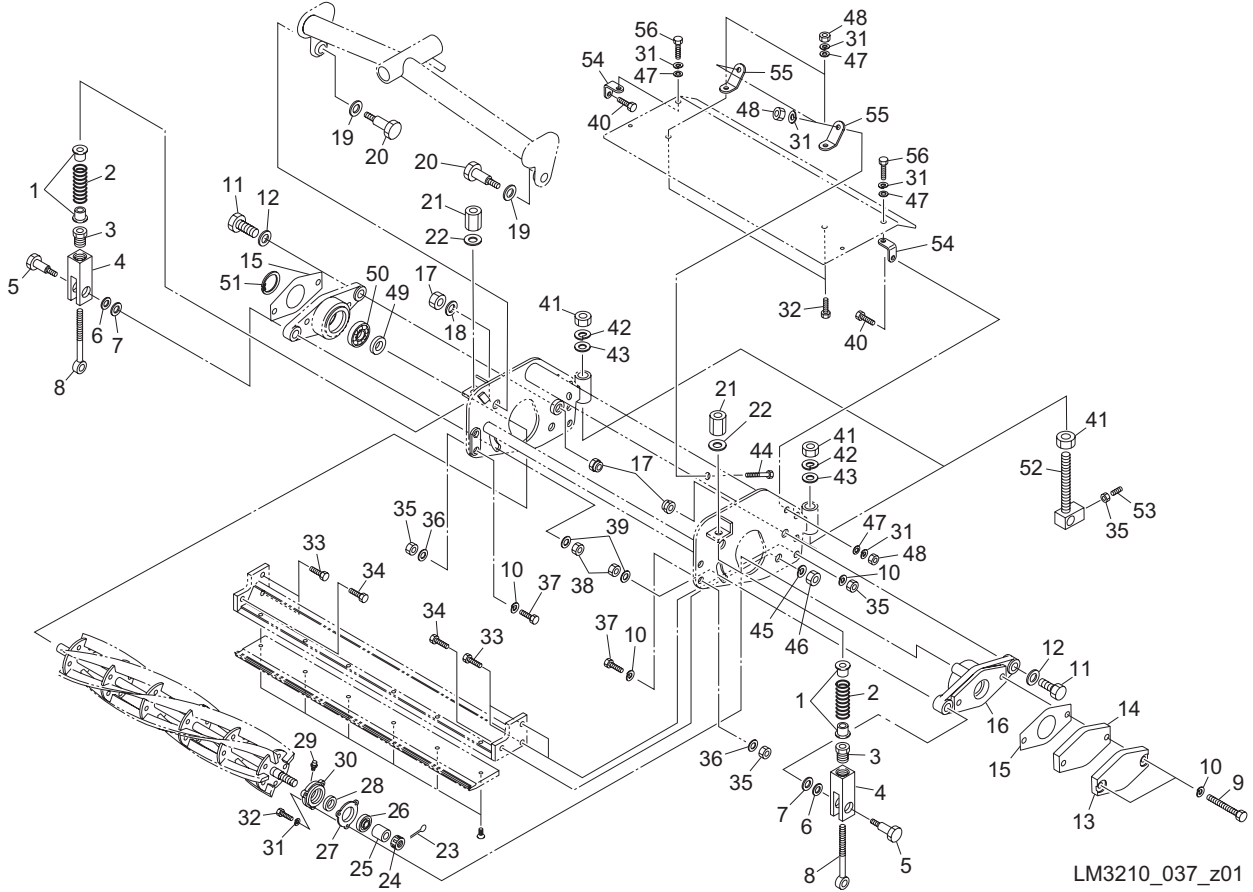


LM3210_037_z01

| Cat No. | Code No. | Part name | Qty | Remark | SN of application |
|---------|---------------|-----------------------------------|-----|--------|-------------------|
| 37-1 | K6206000052 | RECEIVER, FOR SPRING | 4 | | |
| 37-2 | K1000000458 | SPRING, COMPRESSION M5-25-60 | 2 | | |
| 37-3 | K6081000082 | PIPE, WITH CUTTER ADJUSTING SCREW | 2 | | |
| 37-4 | K6090000552 | MOUNT, ADJUSTING SCREW | 2 | | |
| 37-5 | K6082000122 | BOLT, STEPPED FOR FIXING HOUSING | 2 | | |
| 37-6 | K0214100002 | WASHER, DISK SPRING L M10-2 | 2 | | |
| 37-7 | K5012310172 | WASHER, SPCC 2.3-10-17 | 2 | | |
| 37-8 | K7303000182 | BOLT, ADJUSTING CUTTER | 2 | | |
| 37-9 | K0000100702 | BOLT, M10-70 | 2 | | |
| 37-10 | K0200100002 | WASHER, SPRING M10 | 8 | | |
| 37-11 | K0071001132 | BOLT, AXIS | 2 | | |
| 37-12 | K5012314252 | WASHER, SPCC 2.3-14-25 | 2 | | |
| 37-13 | K690300017D | COVER, REEL HOUSING | 1 | | |
| 37-14 | LM2700-1201ZD | WEIGHT, MOWER | 1 | | |
| 37-15 | K4011000290 | PACKING, OIL-SHEET | 2 | | |
| 37-16 | K6903000212 | HOUSING, REEL CUTTER | 1 | | |
| 37-17 | K0105140002 | NUT, P1.5 M14-3 | 4 | | |
| 37-18 | K0212140002 | WASHER, DISK SPRING L M14-1 | 2 | | |
| 37-19 | K5011020282 | WASHER, SPCC 1-20-28 | 2 | | |
| 37-20 | K6082000132 | BOLT, STEPPED FOR FIXING FRAME | 2 | | |
| 37-21 | LM56G--0506Z2 | NUT, HIGH M10-17-35 P1.0 | 2 | | |
| 37-22 | K5051010160 | WASHER, C5191P 1-10-16 | 2 | | |
| 37-23 | K0300032252 | PIN, COTTER M3.2-25 | 1 | | |
| 37-24 | K0170000012 | NUT, SPECIAL M20 | 1 | | |
| 37-25 | K6212001742 | COLLAR, STKM M20.2-28-18 | 1 | | |
| 37-26 | K0602063040 | BEARING, BALL SHIELD Z 6304 | 1 | | |
| 37-27 | K4011000150 | PACKING, OIL-SHEET | 1 | | |
| 37-28 | K0822542080 | OIL SEAL, MHTA25428 | 1 | | |
| 37-29 | K1440000010 | GREASE NIPPLE, A TYPE | 1 | | |
| 37-30 | K6903000042 | CAP, HOUSING | 1 | | |

37.Mower section Ass'y (#2,4)

LM3210

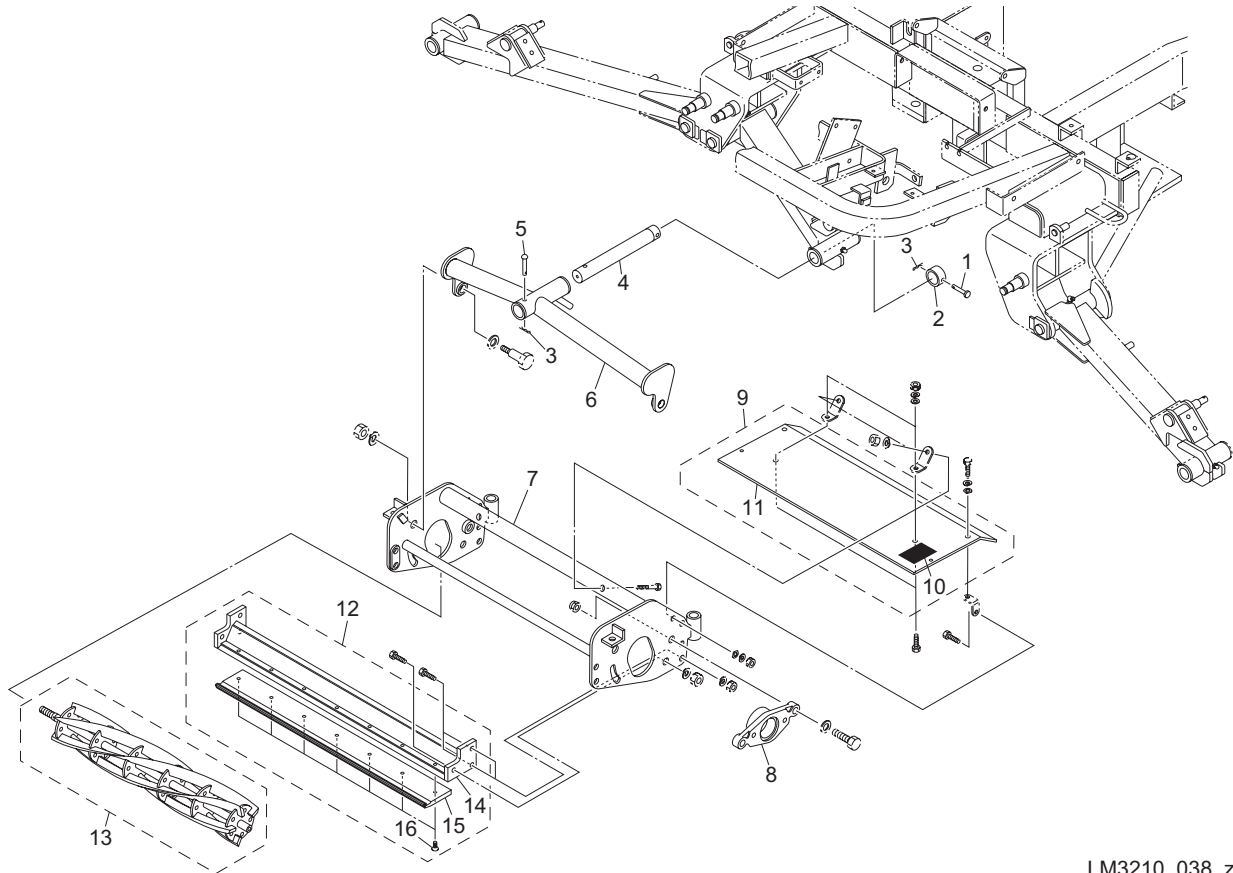


LM3210_037_z01

| Cat No. | Code No. | Part name | Qty | Remark | SN of application |
|---------|---------------|---------------------------------|-----|--------|-------------------|
| 37-31 | K0200060002 | WASHER, SPRING M6 | 11 | | |
| 37-32 | K0000060152 | BOLT, M6-15 | 5 | | |
| 37-33 | K0000100252 | BOLT, M10-25 | 4 | | |
| 37-34 | K0000120302 | BOLT, M12-30 | 2 | | |
| 37-35 | K0100100002 | NUT, M10 | 8 | | |
| 37-36 | K5000100002 | WASHER, M10 | 4 | | |
| 37-37 | K0000100352 | BOLT, M10-35 | 4 | | |
| 37-38 | K0145100002 | NUT, WITH F-RING, P1.25 M10 | 2 | | |
| 37-39 | K5073210242 | WASHER, SPHC 3.2-10-24 | 2 | | |
| 37-40 | K0000060202 | BOLT, M6-20 | 2 | | |
| 37-41 | K0108180002 | NUT, P1.5 M18-3 | 4 | | |
| 37-42 | K0200180002 | WASHER, SPRING M18 | 2 | | |
| 37-43 | K5012018282 | WASHER, SPCC 2-18-28 | 2 | | |
| 37-44 | K0000060502 | BOLT, M6-50 | 2 | | |
| 37-45 | K0200120002 | WASHER, SPRING M12 | 2 | | |
| 37-46 | K0100120002 | NUT, M12 | 2 | | |
| 37-47 | K5000060002 | WASHER, M6 | 6 | | |
| 37-48 | K0100060002 | NUT, M6 | 6 | | |
| 37-49 | K0823560120 | OIL SEAL, MHSA356012 | 1 | | |
| 37-50 | K0602062070 | BEARING, BALL SHIELD Z 6207 | 1 | | |
| 37-51 | K0402072001 | RING, RETAINING R M72 | 1 | | |
| 37-52 | LM526A-0108Z2 | SCREW, ADJUSTING CUTTING HEIGHT | 2 | | |
| 37-53 | K0023100251 | SETSCREW, M10-25 | 2 | | |
| 37-54 | K5206000522 | PLATE, FOR FIXING COVER | 2 | | |
| 37-55 | K527600041R | PLATE, FOR FIXING COVER | 2 | | |
| 37-56 | K0000060102 | BOLT, M6-10 | 2 | | |

38.Mower section (#1) (Type R)

LM3210

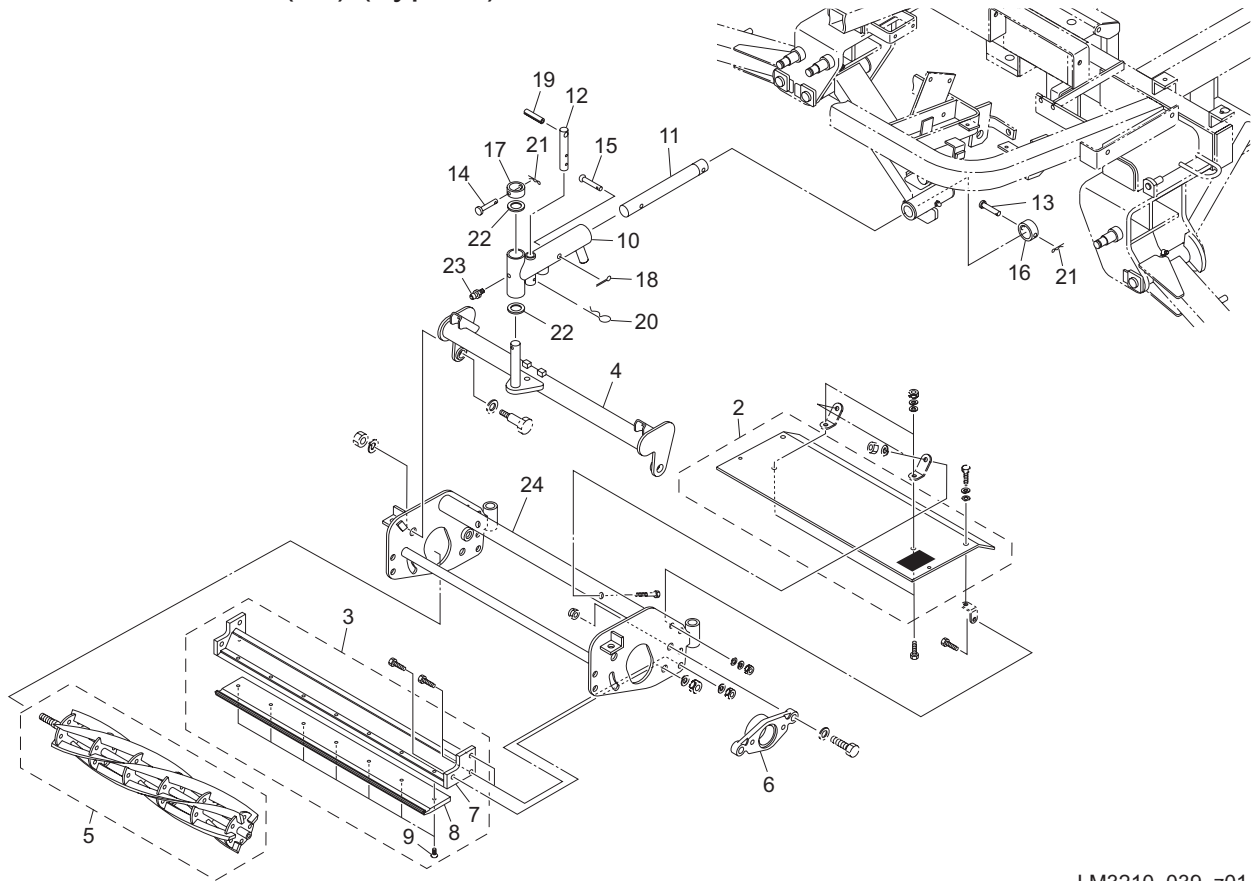


LM3210_038_z00

| Cat No. | Code No. | Part name | Qty | Remark | SN of application |
|---------|---------------|-------------------------------------|-----|--------|-------------------|
| 38-1 | GM2800-0210Z8 | PIN, HT FLAT HEAD 9.6-54.5 | 1 | | |
| 38-2 | K6215000362 | COLLAR, STKM WITH HOLE M30-42-16 | 1 | | |
| 38-3 | K0341000002 | PIN, SNAP WITH RETAINER M10 | 2 | | |
| 38-4 | LM3200-0111Z0 | SHAFT | 1 | | |
| 38-5 | K6041095548 | PIN, ROUND HEAD M9.5-54 | 1 | | |
| 38-6 | LM3200-0101ZR | ARM, MOWER #1 | 1 | | |
| 38-7 | K705200008R | FRAME, MOWER | 1 | | |
| 38-8 | K6903000192 | HOUSING, HYDRAULIC MOTOR A | 1 | | |
| 38-9 | K9010000200 | COVER COMP, REEL 30 | 1 | | |
| 38-10 | K4205001600 | DECAL, CAUTION TO MUTILATION | 2 | | |
| 38-11 | K527000260R | COVER, REEL REAR 30 | 1 | | |
| 38-12 | K8022000030 | BASE & BEDKNIFE ASSY | 1 | | |
| 38-13 | K28318R151R | REEL CUTTER (CYLINDER), 760-5R | 1 | | |
| 38-14 | K744200007R | BASE, BEDKNIFE 840 | 1 | | |
| 38-15 | K2510000020 | BED-KNIFE (BOTTOM BLADE), 85-770-51 | 1 | | |
| 38-16 | K0071001182 | SCREW, HT FLAT HEAD M10-16 | 7 | | |
| | | | | | |
| | | | | | |

39.Mower section (#1) (Type F)

LM3210

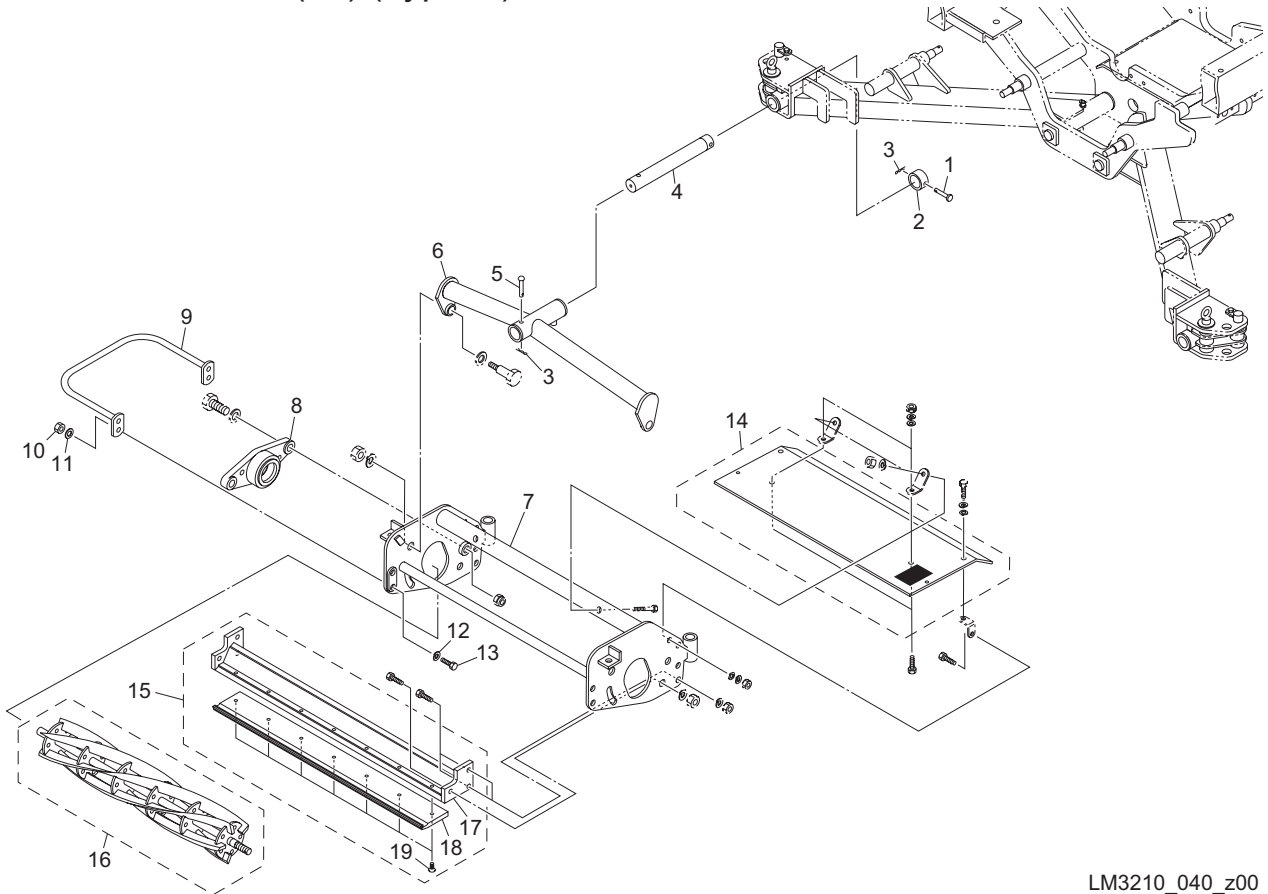


LM3210_039_z01

| Cat No. | Code No. | Part name | Qty | Remark | SN of application |
|---------|---------------|-------------------------------------|-----|--------|-------------------|
| 39a-1 | K705200009R | FRAME, MOWER | 1 | | |
| 39-2 | LM3200-0110Z0 | COVER COMP, REEL | 1 | | |
| 39-3 | K8022000030 | BASE & BEDKNIFE ASSY | 1 | | |
| 39-4 | LM3200-1301ZR | ARM, MOWER #1 | 1 | | |
| 39-5 | K283181R71R | REEL CUTTER (CYLINDER), 766-7R | 1 | | |
| 39-6 | K6903000192 | HOUSING, HYDRAULIC MOTOR A | 1 | | |
| 39-7 | K744200007R | BASE, BEDKNIFE 840 | 1 | | |
| 39-8 | K2510000020 | BED-KNIFE (BOTTOM BLADE), 85-770-51 | 1 | | |
| 39-9 | K0071001182 | SCREW, HT FLAT HEAD M10-16 | 7 | | |
| 39-10 | LM3200-1306ZR | CONNECTOR, MOWER (FRONT) | 1 | | |
| 39-11 | LM3200-1308Z0 | SHAFT | 1 | | |
| 39-12 | LM3200-1309Z8 | SHAFT, STOPPER | 1 | | |
| 39-13 | GM2800-0210Z8 | PIN, HT FLAT HEAD 9.6-54.5 | 1 | | |
| 39-14 | K6031090458 | PIN, FLAT HEAD HT M9.6-45.5 | 1 | | |
| 39-15 | K6041080488 | PIN, ROUND HEAD HT M8-48.5 | 1 | | |
| 39-16 | K6215000362 | COLLAR, STKM WITH HOLE M30-42-16 | 1 | | |
| 39-17 | K6215000412 | COLLAR, STKM WITH HOLE M25.5-36-16 | 1 | | |
| 39-18 | K0300025202 | PIN, COTTER M2.5-20 | 1 | | |
| 39-19 | K0320080501 | PIN, SPRING M8-50 | 1 | | |
| 39-20 | K0332200008 | PIN, SNAP M22 | 1 | | |
| 39-21 | K0341000002 | PIN, SNAP WITH RETAINER M10 | 2 | | |
| 39-22 | K5051025350 | WASHER, C5191P 1-25-35 | 2 | | |
| 39-23 | K1440000010 | GREASE NIPPLE, A TYPE | 1 | | |
| 39a-24 | | | | | |

40.Mower section (#2) (Type R)

LM3210

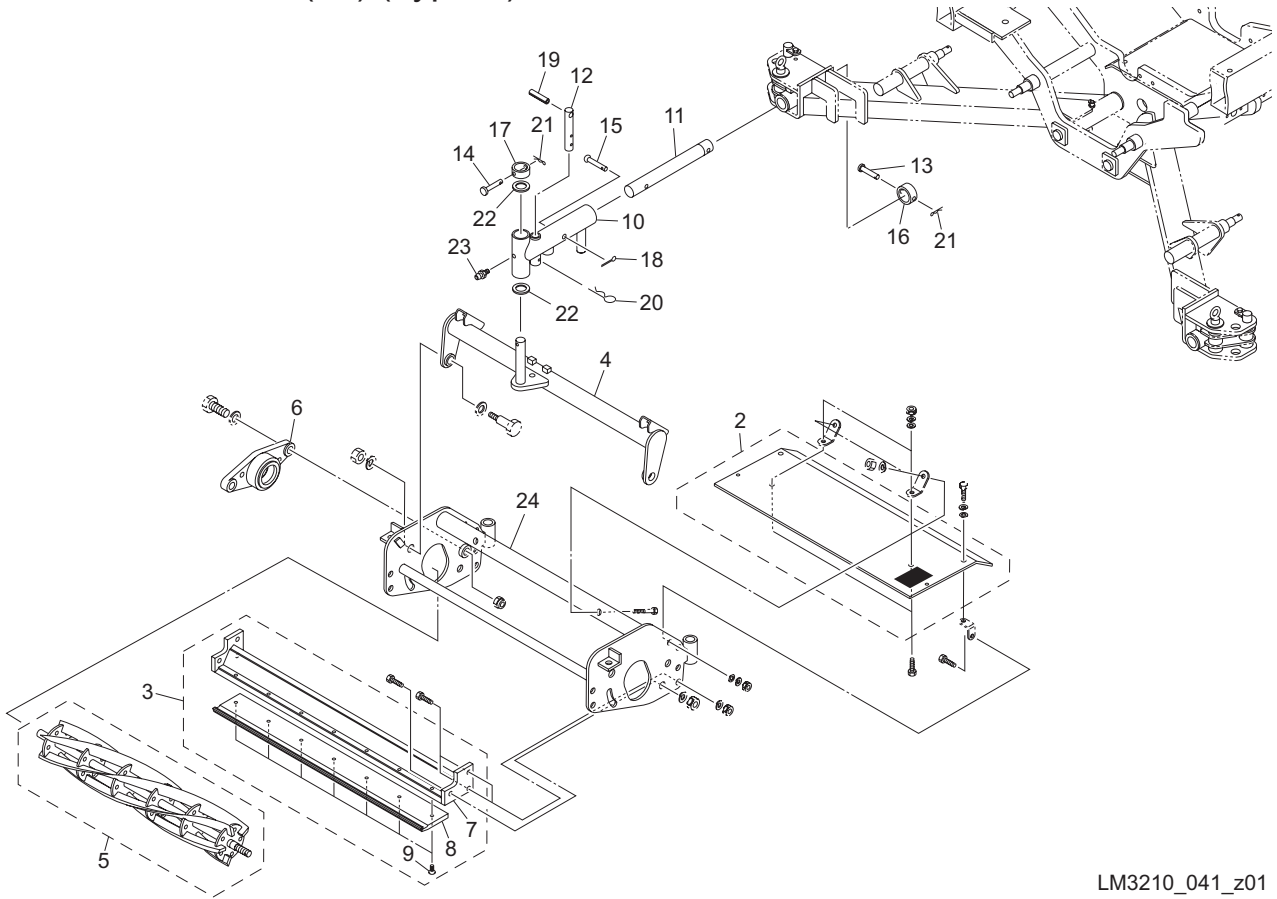


LM3210_040_z00

| Cat No. | Code No. | Part name | Qty | Remark | SN of application |
|---------|---------------|-------------------------------------|-----|--------|-------------------|
| 40-1 | GM2800-0210Z8 | PIN, HT FLAT HEAD 9.6-54.5 | 1 | | |
| 40-2 | K6215000362 | COLLAR, STKM WITH HOLE M30-42-16 | 1 | | |
| 40-3 | K0341000002 | PIN, SNAP WITH RETAINER M10 | 2 | | |
| 40-4 | LM3200-0111Z0 | SHAFT | 1 | | |
| 40-5 | K6041095548 | PIN, ROUND HEAD M9.5-54 | 1 | | |
| 40-6 | LM3200-0102ZR | ARM, MOWER #2 | 1 | | |
| 40-7 | K705200008R | FRAME, MOWER | 1 | | |
| 40-8 | K6903000202 | HOUSING, HYDRAULIC MOTOR B | 1 | | |
| 40-9 | LM3200-0109ZR | GUARD, MOTER | 1 | | |
| 40-10 | K0100100002 | NUT, M10 | 2 | | |
| 40-11 | K5000100002 | WASHER, M10 | 2 | | |
| 40-12 | K0200100002 | WASHER, SPRING M10 | 2 | | |
| 40-13 | K0000100402 | BOLT, M10-40 | 2 | | |
| 40-14 | K9010000200 | COVER COMP, REEL 30 | 1 | | |
| 40-15 | K8022000030 | BASE & BEDKNIFE ASSY | 1 | | |
| 40-16 | K28318R051R | REEL CUTTER (CYLINDER), 760-5 | 1 | | |
| 40-17 | K744200007R | BASE, BEDKNIFE 840 | 1 | | |
| 40-18 | K2510000020 | BED-KNIFE (BOTTOM BLADE), 85-770-51 | 1 | | |
| 40-19 | K0071001182 | SCREW, HT FLAT HEAD M10-16 | 7 | | |
| | | | | | |
| | | | | | |

41.Mower section (#2) (Type F)

LM3210

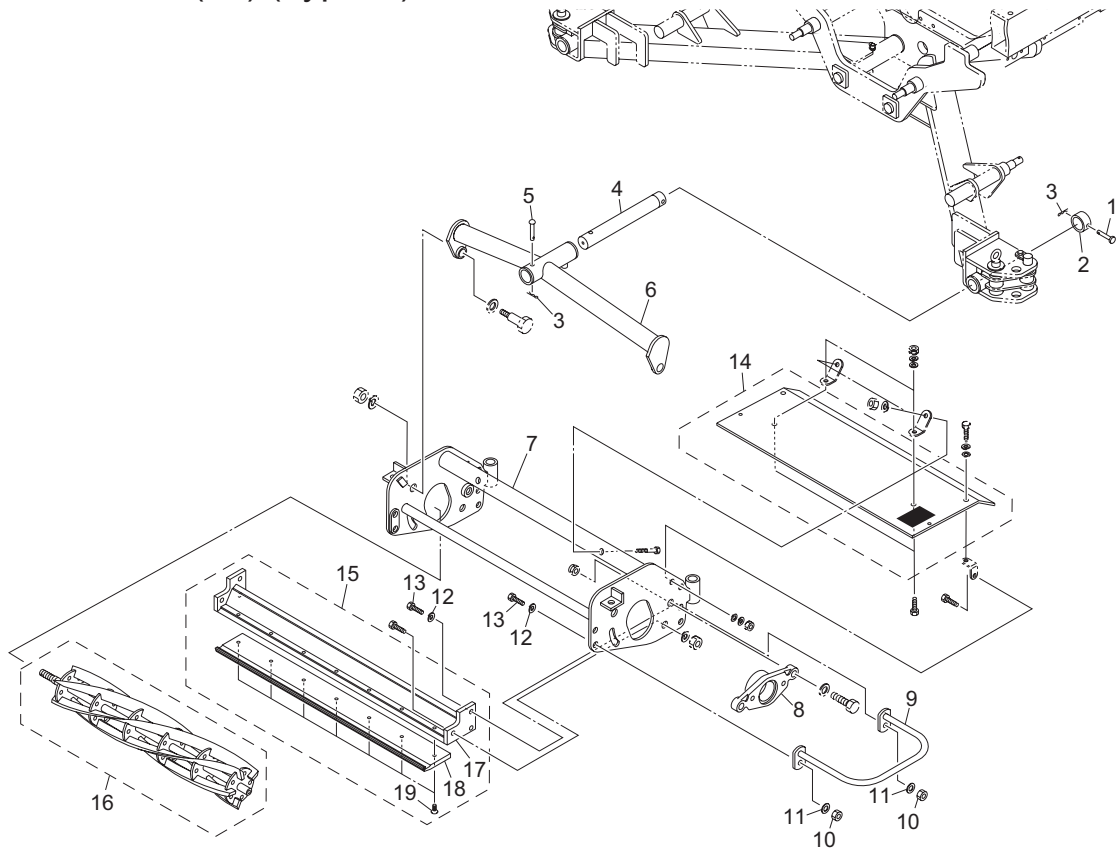


LM3210_041_z01

| Cat No. | Code No. | Part name | Qty | Remark | SN of application |
|---------|---------------|-------------------------------------|-----|--------|-------------------|
| 41a-1 | K705200009R | FRAME, MOWER | 1 | | |
| 41-2 | LM3200-0110Z0 | COVER COMP, REEL | 1 | | |
| 41-3 | K8022000030 | BASE & BEDKNIFE ASSY | 1 | | |
| 41-4 | LM3200-1302ZR | ARM, MOWER #2 & #3 | 1 | | |
| 41-5 | K283181L71R | REEL CUTTER (CYLINDER), 766-7 | 1 | | |
| 41-6 | K6903000202 | HOUSING, HYDRAULIC MOTOR B | 1 | | |
| 41-7 | K744200007R | BASE, BEDKNIFE 840 | 1 | | |
| 41-8 | K2510000020 | BED-KNIFE (BOTTOM BLADE), 85-770-51 | 1 | | |
| 41-9 | K0071001182 | SCREW, HT FLAT HEAD M10-16 | 7 | | |
| 41-10 | LM3200-1307ZR | CONNECTOR, MOWER (REAR) | 1 | | |
| 41-11 | LM3200-1308Z0 | SHAFT | 1 | | |
| 41-12 | LM3200-1309Z8 | SHAFT, STOPPER | 1 | | |
| 41-13 | GM2800-0210Z8 | PIN, HT FLAT HEAD 9.6-54.5 | 1 | | |
| 41-14 | K6031090458 | PIN, FLAT HEAD HT M9.6-45.5 | 1 | | |
| 41-15 | K6041080488 | PIN, ROUND HEAD HT M8-48.5 | 1 | | |
| 41-16 | K6215000362 | COLLAR, STKM WITH HOLE M30-42-16 | 1 | | |
| 41-17 | K6215000412 | COLLAR, STKM WITH HOLE M25.5-36-16 | 1 | | |
| 41-18 | K0300025202 | PIN, COTTER M2.5-20 | 1 | | |
| 41-19 | K0320080501 | PIN, SPRING M8-50 | 1 | | |
| 41-20 | K0332200008 | PIN, SNAP M22 | 1 | | |
| 41-21 | K0341000002 | PIN, SNAP WITH RETAINER M10 | 2 | | |
| 41-22 | K5051025350 | WASHER, C5191P 1-25-35 | 2 | | |
| 41-23 | K1440000010 | GREASE NIPPLE, A TYPE | 1 | | |
| 41a-24 | | | | | |

42.Mower section (#3) (Type R)

LM3210

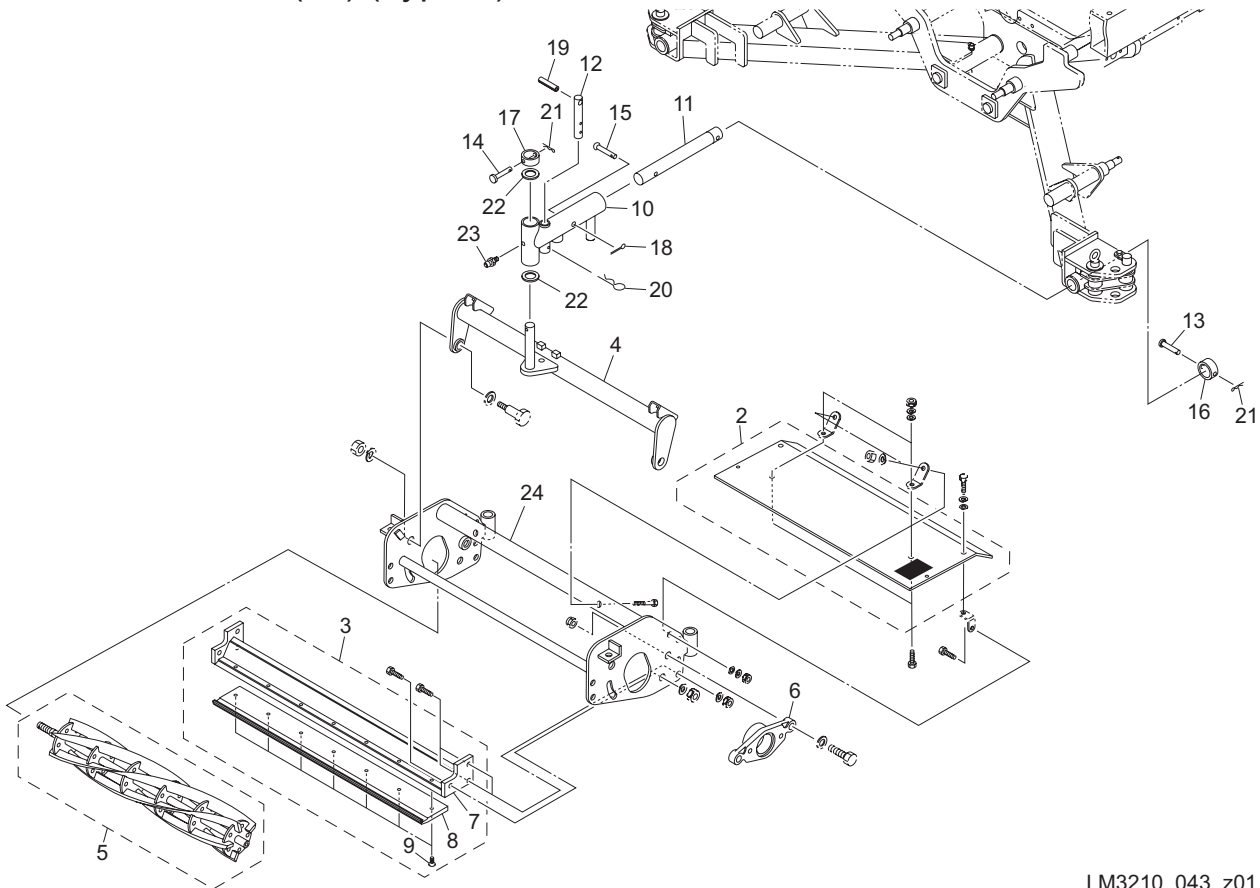


LM3210_042_z00

| Cat No. | Code No. | Part name | Qty | Remark | SN of application |
|---------|---------------|-------------------------------------|-----|--------|-------------------|
| 42-1 | GM2800-0210Z8 | PIN, HT FLAT HEAD 9.6-54.5 | 1 | | |
| 42-2 | K6215000362 | COLLAR, STKM WITH HOLE M30-42-16 | 1 | | |
| 42-3 | K0341000002 | PIN, SNAP WITH RETAINER M10 | 2 | | |
| 42-4 | LM3200-0111Z0 | SHAFT | 1 | | |
| 42-5 | K6041095548 | PIN, ROUND HEAD M9.5-54 | 1 | | |
| 42-6 | LM3200-0103ZR | ARM, MOWER #3 | 1 | | |
| 42-7 | K705200008R | FRAME, MOWER | 1 | | |
| 42-8 | K6903000192 | HOUSING, HYDRAULIC MOTOR A | 1 | | |
| 42-9 | LM3200-0109ZR | GUARD, MOTER | 1 | | |
| 42-10 | K0100100002 | NUT, M10 | 2 | | |
| 42-11 | K5000100002 | WASHER, M10 | 2 | | |
| 42-12 | K0200100002 | WASHER, SPRING M10 | 2 | | |
| 42-13 | K0000100402 | BOLT, M10-40 | 2 | | |
| 42-14 | K9010000200 | COVER COMP, REEL 30 | 1 | | |
| 42-15 | K8022000030 | BASE & BEDKNIFE ASSY | 1 | | |
| 42-16 | K28318R151R | REEL CUTTER (CYLINDER), 760-5R | 1 | | |
| 42-17 | K744200007R | BASE, BEDKNIFE 840 | 1 | | |
| 42-18 | K2510000020 | BED-KNIFE (BOTTOM BLADE), 85-770-51 | 1 | | |
| 42-19 | K0071001182 | SCREW, HT FLAT HEAD M10-16 | 7 | | |
| | | | | | |
| | | | | | |

43.Mower section (#3) (Type F)

LM3210

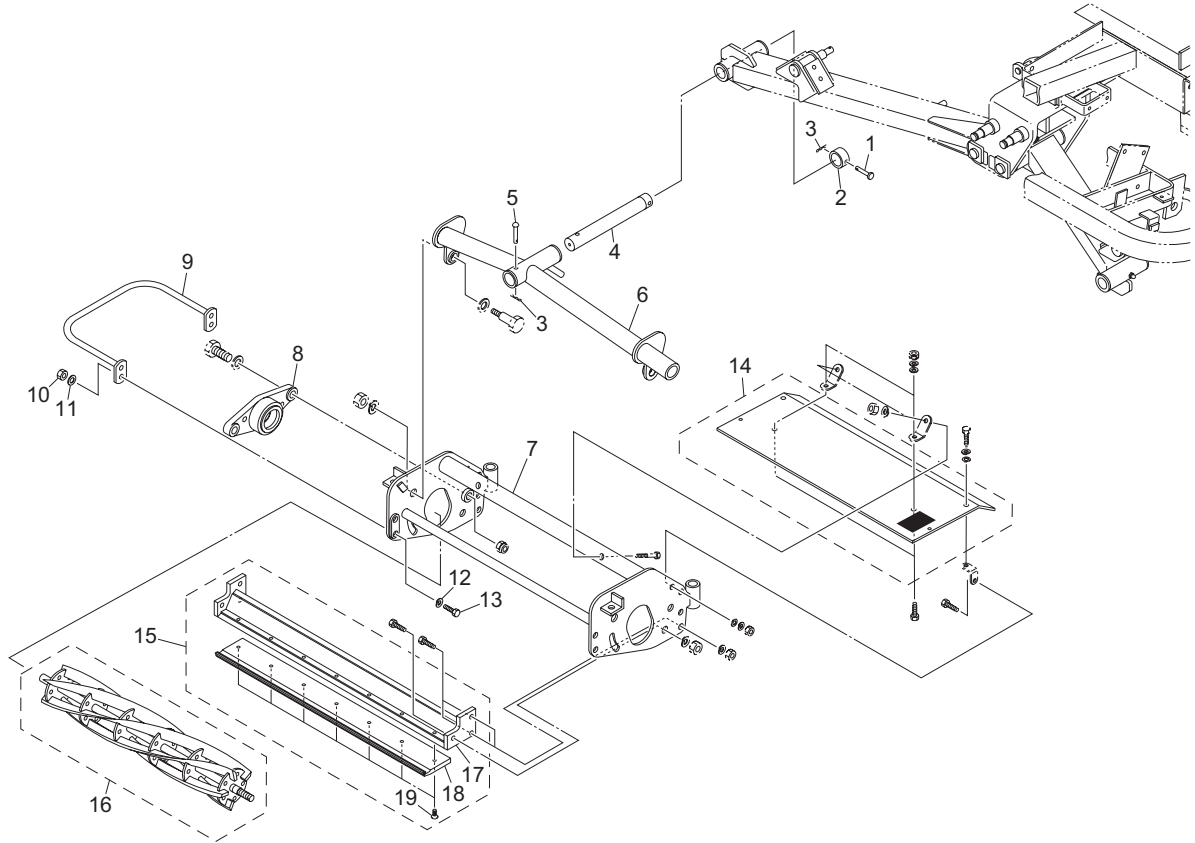


LM3210_043_z01

| Cat No. | Code No. | Part name | Qty | Remark | SN of application |
|---------|---------------|-------------------------------------|-----|--------|-------------------|
| 43a-1 | K705200009R | FRAME, MOWER | 1 | | |
| 43-2 | LM3200-0110Z0 | COVER COMP, REEL | 1 | | |
| 43-3 | K8022000030 | BASE & BEDKNIFE ASSY | 1 | | |
| 43-4 | LM3200-1302ZR | ARM, MOWER #2 & #3 | 1 | | |
| 43-5 | K283181R71R | REEL CUTTER (CYLINDER), 766-7R | 1 | | |
| 43-6 | K6903000192 | HOUSING, HYDRAULIC MOTOR A | 1 | | |
| 43-7 | K744200007R | BASE, BEDKNIFE 840 | 1 | | |
| 43-8 | K2510000020 | BED-KNIFE (BOTTOM BLADE), 85-770-51 | 1 | | |
| 43-9 | K0071001182 | SCREW, HT FLAT HEAD M10-16 | 7 | | |
| 43-10 | LM3200-1307ZR | CONNECTOR, MOWER (REAR) | 1 | | |
| 43-11 | LM3200-1308Z0 | SHAFT | 1 | | |
| 43-12 | LM3200-1309Z8 | SHAFT, STOPPER | 1 | | |
| 43-13 | GM2800-0210Z8 | PIN, HT FLAT HEAD 9.6-54.5 | 1 | | |
| 43-14 | K6031090458 | PIN, FLAT HEAD HT M9.6-45.5 | 1 | | |
| 43-15 | K6041080488 | PIN, ROUND HEAD HT M8-48.5 | 1 | | |
| 43-16 | K6215000362 | COLLAR, STKM WITH HOLE M30-42-16 | 1 | | |
| 43-17 | K6215000412 | COLLAR, STKM WITH HOLE M25.5-36-16 | 1 | | |
| 43-18 | K0300025202 | PIN, COTTER M2.5-20 | 1 | | |
| 43-19 | K0320080501 | PIN, SPRING M8-50 | 1 | | |
| 43-20 | K0332200008 | PIN, SNAP M22 | 1 | | |
| 43-21 | K0341000002 | PIN, SNAP WITH RETAINER M10 | 2 | | |
| 43-22 | K5051025350 | WASHER, C5191P 1-25-35 | 2 | | |
| 43-23 | K1440000010 | GREASE NIPPLE, A TYPE | 1 | | |
| 43a-24 | | | | | |

44.Mower section (#4) (Type R)

LM3210

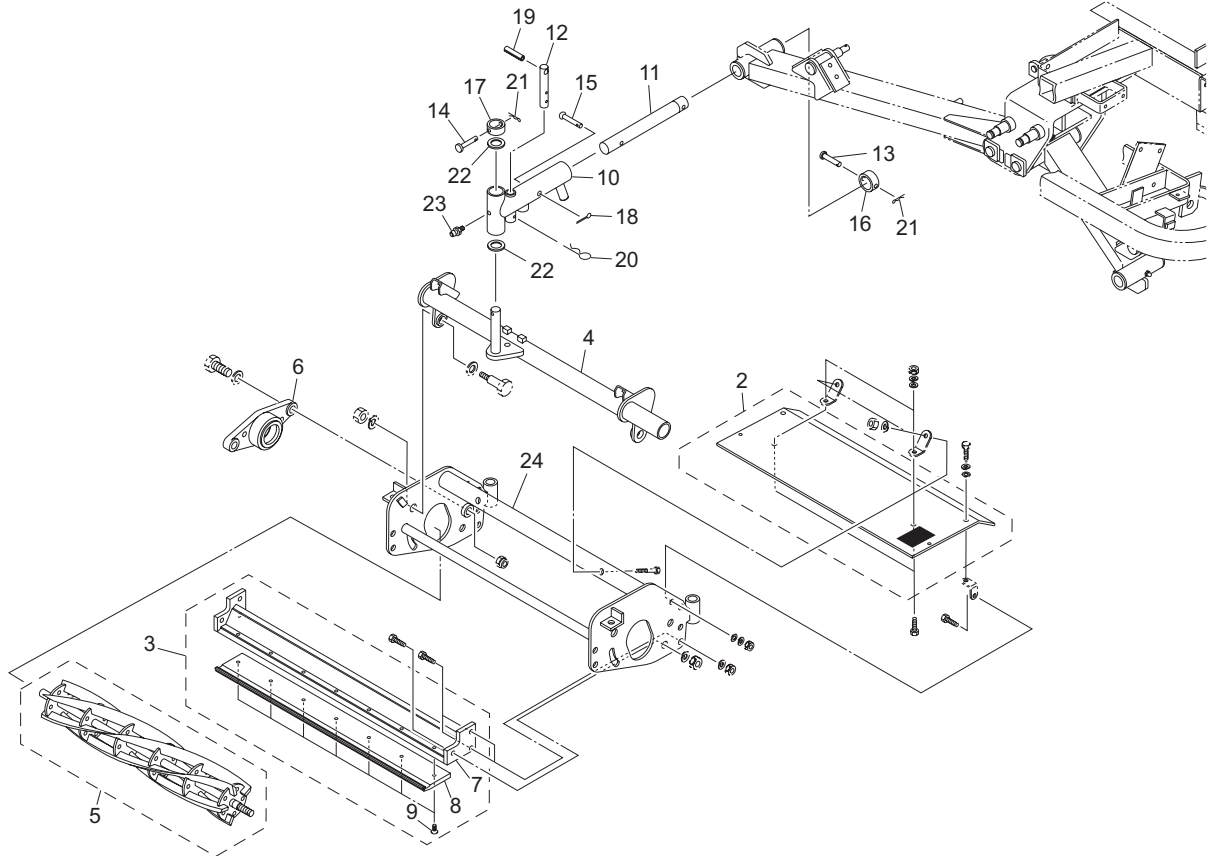


LM3210_044_z00

| Cat No. | Code No. | Part name | Qty | Remark | SN of application |
|---------|---------------|-------------------------------------|-----|--------|-------------------|
| 44-1 | GM2800-0210Z8 | PIN, HT FLAT HEAD 9.6-54.5 | 1 | | |
| 44-2 | K6215000362 | COLLAR, STKM WITH HOLE M30-42-16 | 1 | | |
| 44-3 | K0341000002 | PIN, SNAP WITH RETAINER M10 | 2 | | |
| 44-4 | LM3200-0111Z0 | SHAFT | 1 | | |
| 44-5 | K6041095548 | PIN, ROUND HEAD M9.5-54 | 1 | | |
| 44-6 | LM3200-0104ZR | ARM, MOWER #4 | 1 | | |
| 44-7 | K705200008R | FRAME, MOWER | 1 | | |
| 44-8 | K6903000202 | HOUSING, HYDRAULIC MOTOR B | 1 | | |
| 44-9 | LM3200-0109ZR | GUARD, MOTER | 1 | | |
| 44-10 | K0100100002 | NUT, M10 | 2 | | |
| 44-11 | K5000100002 | WASHER, M10 | 2 | | |
| 44-12 | K0200100002 | WASHER, SPRING M10 | 2 | | |
| 44-13 | K0000100402 | BOLT, M10-40 | 2 | | |
| 44-14 | K9010000200 | COVER COMP, REEL 30 | 1 | | |
| 44-15 | K8022000030 | BASE & BEDKNIFE ASSY | 1 | | |
| 44-16 | K28318R051R | REEL CUTTER (CYLINDER), 760-5 | 1 | | |
| 44-17 | K744200007R | BASE, BEDKNIFE 840 | 1 | | |
| 44-18 | K2510000020 | BED-KNIFE (BOTTOM BLADE), 85-770-51 | 1 | | |
| 44-19 | K0071001182 | SCREW, HT FLAT HEAD M10-16 | 7 | | |
| | | | | | |
| | | | | | |

45.Mower section (#4) (Type F)

LM3210

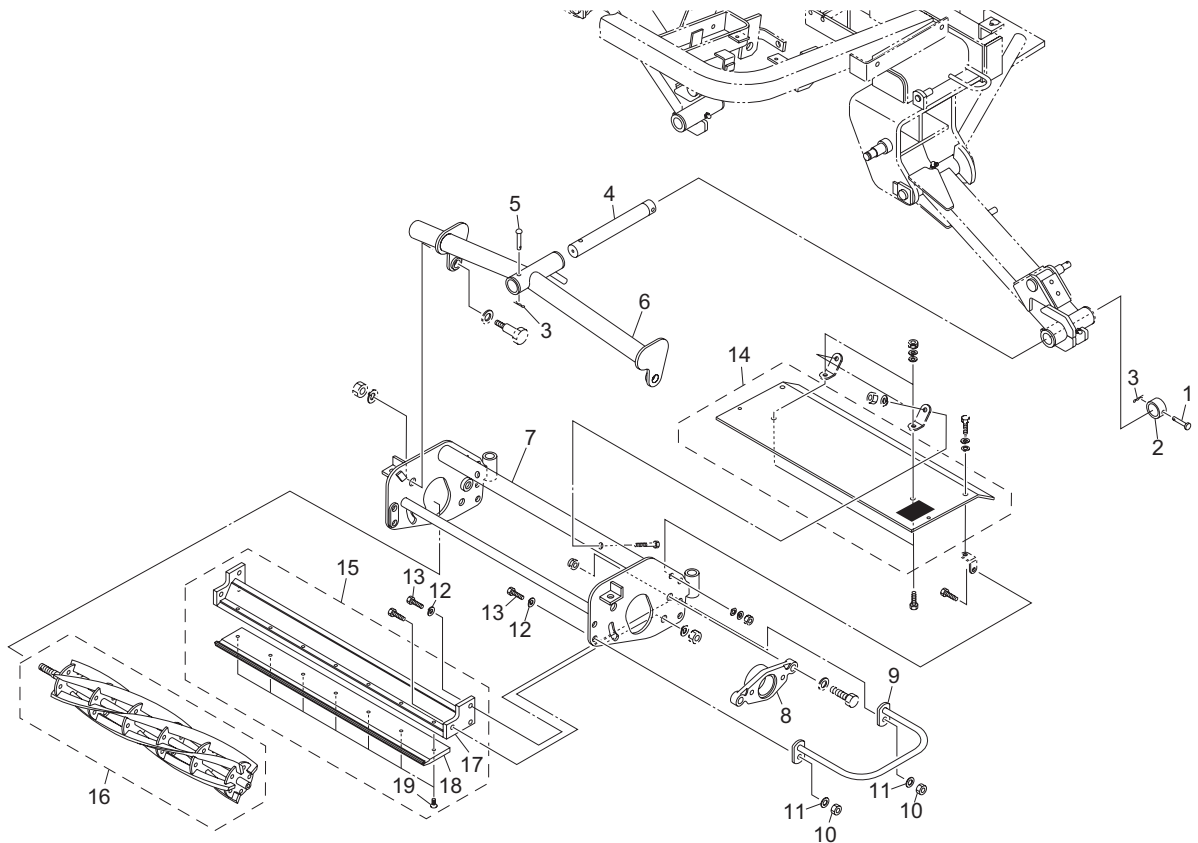


LM3210_045_z01

| Cat No. | Code No. | Part name | Qty | Remark | SN of application |
|---------|---------------|-------------------------------------|-----|--------|-------------------|
| 45a-1 | K705200009R | FRAME, MOWER | 1 | | |
| 45-2 | LM3200-0110Z0 | COVER COMP, REEL | 1 | | |
| 45-3 | K8022000030 | BASE & BEDKNIFE ASSY | 1 | | |
| 45-4 | LM3200-1304ZR | ARM, MOWER #4 | 1 | | |
| 45-5 | K283181L71R | REEL CUTTER (CYLINDER), 766-7 | 1 | | |
| 45-6 | K6903000202 | HOUSING, HYDRAULIC MOTOR B | 1 | | |
| 45-7 | K744200007R | BASE, BEDKNIFE 840 | 1 | | |
| 45-8 | K2510000020 | BED-KNIFE (BOTTOM BLADE), 85-770-51 | 1 | | |
| 45-9 | K0071001182 | SCREW, HT FLAT HEAD M10-16 | 7 | | |
| 45-10 | LM3200-1306ZR | CONNECTOR, MOWER (FRONT) | 1 | | |
| 45-11 | LM3200-1308Z0 | SHAFT | 1 | | |
| 45-12 | LM3200-1309Z8 | SHAFT, STOPPER | 1 | | |
| 45-13 | GM2800-0210Z8 | PIN, HT FLAT HEAD 9.6-54.5 | 1 | | |
| 45-14 | K6031090458 | PIN, FLAT HEAD HT M9.6-45.5 | 1 | | |
| 45-15 | K6041080488 | PIN, ROUND HEAD HT M8-48.5 | 1 | | |
| 45-16 | K6215000362 | COLLAR, STKM WITH HOLE M30-42-16 | 1 | | |
| 45-17 | K6215000412 | COLLAR, STKM WITH HOLE M25.5-36-16 | 1 | | |
| 45-18 | K0300025202 | PIN, COTTER M2.5-20 | 1 | | |
| 45-19 | K0320080501 | PIN, SPRING M8-50 | 1 | | |
| 45-20 | K0332200008 | PIN, SNAP M22 | 1 | | |
| 45-21 | K0341000002 | PIN, SNAP WITH RETAINER M10 | 2 | | |
| 45-22 | K5051025350 | WASHER, C5191P 1-25-35 | 2 | | |
| 45-23 | K1440000010 | GREASE NIPPLE, A TYPE | 1 | | |
| 45a-24 | | | | | |

46.Mower section (#5) (Type R)

LM3210

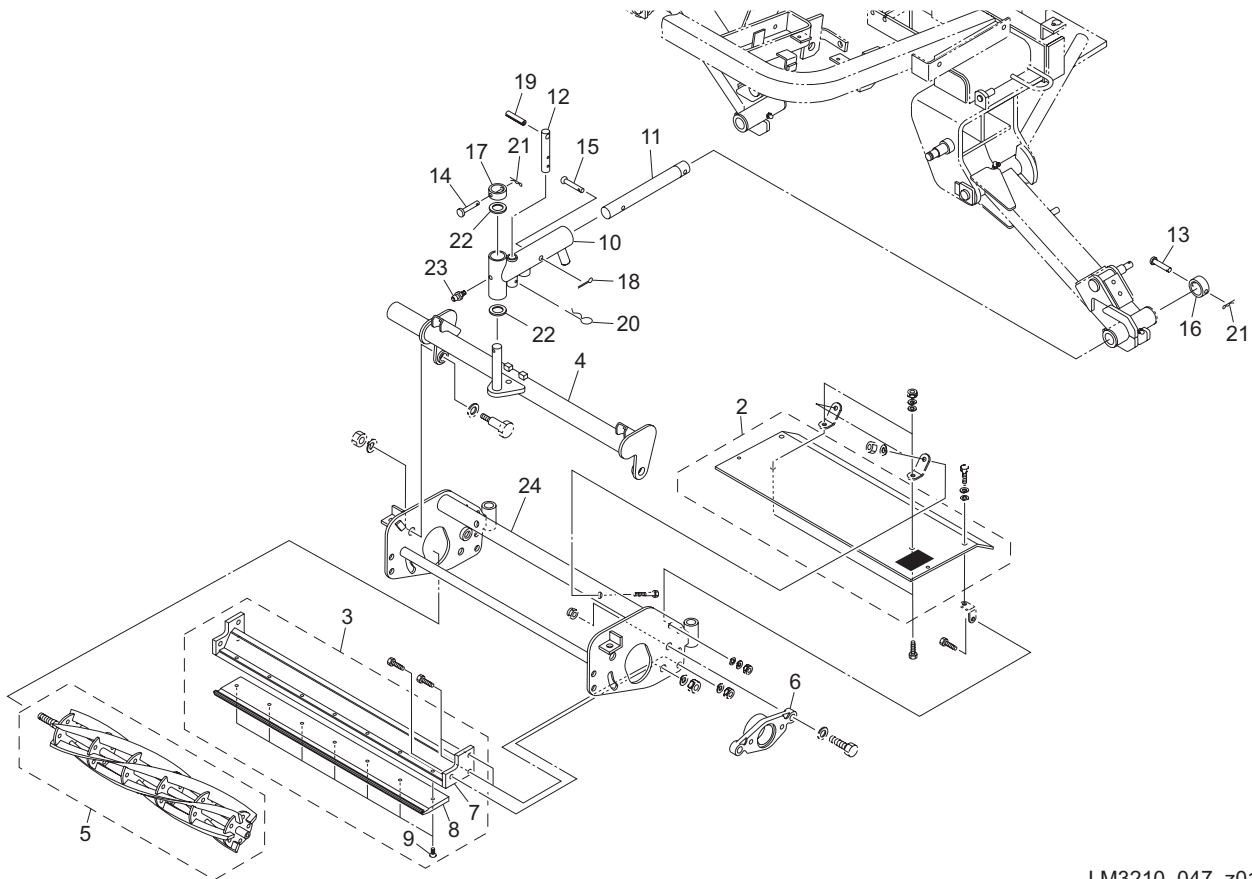


LM3210_046_z00

| Cat No. | Code No. | Part name | Qty | Remark | SN of application |
|---------|---------------|-------------------------------------|-----|--------|-------------------|
| 46-1 | GM2800-0210Z8 | PIN, HT FLAT HEAD 9.6-54.5 | 1 | | |
| 46-2 | K6215000362 | COLLAR, STKM WITH HOLE M30-42-16 | 1 | | |
| 46-3 | K0341000002 | PIN, SNAP WITH RETAINER M10 | 2 | | |
| 46-4 | LM3200-0111Z0 | SHAFT | 1 | | |
| 46-5 | K6041095548 | PIN, ROUND HEAD M9.5-54 | 1 | | |
| 46-6 | LM3200-0105ZR | ARM, MOWER #5 | 1 | | |
| 46-7 | K705200008R | FRAME, MOWER | 1 | | |
| 46-8 | K6903000192 | HOUSING, HYDRAULIC MOTOR A | 1 | | |
| 46-9 | LM3200-0109ZR | GUARD, MOTER | 1 | | |
| 46-10 | K0100100002 | NUT, M10 | 2 | | |
| 46-11 | K5000100002 | WASHER, M10 | 2 | | |
| 46-12 | K0200100002 | WASHER, SPRING M10 | 2 | | |
| 46-13 | K0000100402 | BOLT, M10-40 | 2 | | |
| 46-14 | K9010000200 | COVER COMP, REEL 30 | 1 | | |
| 46-15 | K8022000030 | BASE & BEDKNIFE ASSY | 1 | | |
| 46-16 | K28318R151R | REEL CUTTER (CYLINDER), 760-5R | 1 | | |
| 46-17 | K744200007R | BASE, BEDKNIFE 840 | 1 | | |
| 46-18 | K2510000020 | BED-KNIFE (BOTTOM BLADE), 85-770-51 | 1 | | |
| 46-19 | K0071001182 | SCREW, HT FLAT HEAD M10-16 | 7 | | |
| | | | | | |
| | | | | | |

47.Mower section (#5) (Type F)

LM3210

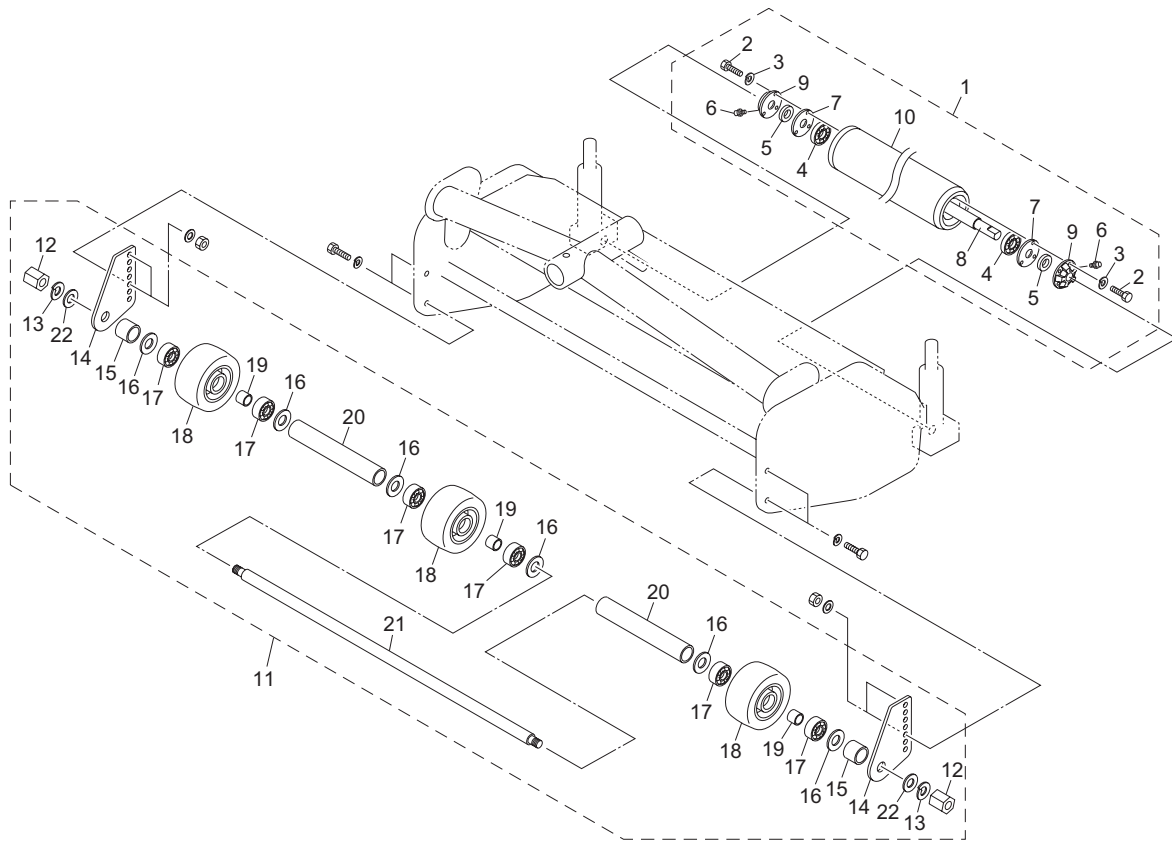


LM3210_047_z01

| Cat No. | Code No. | Part name | Qty | Remark | SN of application |
|---------|---------------|-------------------------------------|-----|--------|-------------------|
| 47a-1 | K705200009R | FRAME, MOWER | 1 | | |
| 47-2 | LM3200-0110Z0 | COVER COMP, REEL | 1 | | |
| 47-3 | K8022000030 | BASE & BEDKNIFE ASSY | 1 | | |
| 47-4 | LM3200-1305ZR | ARM, MOWER #5 | 1 | | |
| 47-5 | K283181R71R | REEL CUTTER (CYLINDER), 766-7R | 1 | | |
| 47-6 | K6903000192 | HOUSING, HYDRAULIC MOTOR A | 1 | | |
| 47-7 | K744200007R | BASE, BEDKNIFE 840 | 1 | | |
| 47-8 | K2510000020 | BED-KNIFE (BOTTOM BLADE), 85-770-51 | 1 | | |
| 47-9 | K0071001182 | SCREW, HT FLAT HEAD M10-16 | 7 | | |
| 47-10 | LM3200-1306ZR | CONNECTOR, MOWER (FRONT) | 1 | | |
| 47-11 | LM3200-1308Z0 | SHAFT | 1 | | |
| 47-12 | LM3200-1309Z8 | SHAFT, STOPPER | 1 | | |
| 47-13 | GM2800-0210Z8 | PIN, HT FLAT HEAD 9.6-54.5 | 1 | | |
| 47-14 | K6031090458 | PIN, FLAT HEAD HT M9.6-45.5 | 1 | | |
| 47-15 | K6041080488 | PIN, ROUND HEAD HT M8-48.5 | 1 | | |
| 47-16 | K6215000362 | COLLAR, STKM WITH HOLE M30-42-16 | 1 | | |
| 47-17 | K6215000412 | COLLAR, STKM WITH HOLE M25.5-36-16 | 1 | | |
| 47-18 | K0300025202 | PIN, COTTER M2.5-20 | 1 | | |
| 47-19 | K0320080501 | PIN, SPRING M8-50 | 1 | | |
| 47-20 | K0332200008 | PIN, SNAP M22 | 1 | | |
| 47-21 | K0341000002 | PIN, SNAP WITH RETAINER M10 | 2 | | |
| 47-22 | K5051025350 | WASHER, C5191P 1-25-35 | 2 | | |
| 47-23 | K1440000010 | GREASE NIPPLE, A TYPE | 1 | | |
| 47a-24 | | | | | |

48.Mower caster wheel section (Type R)

LM3210

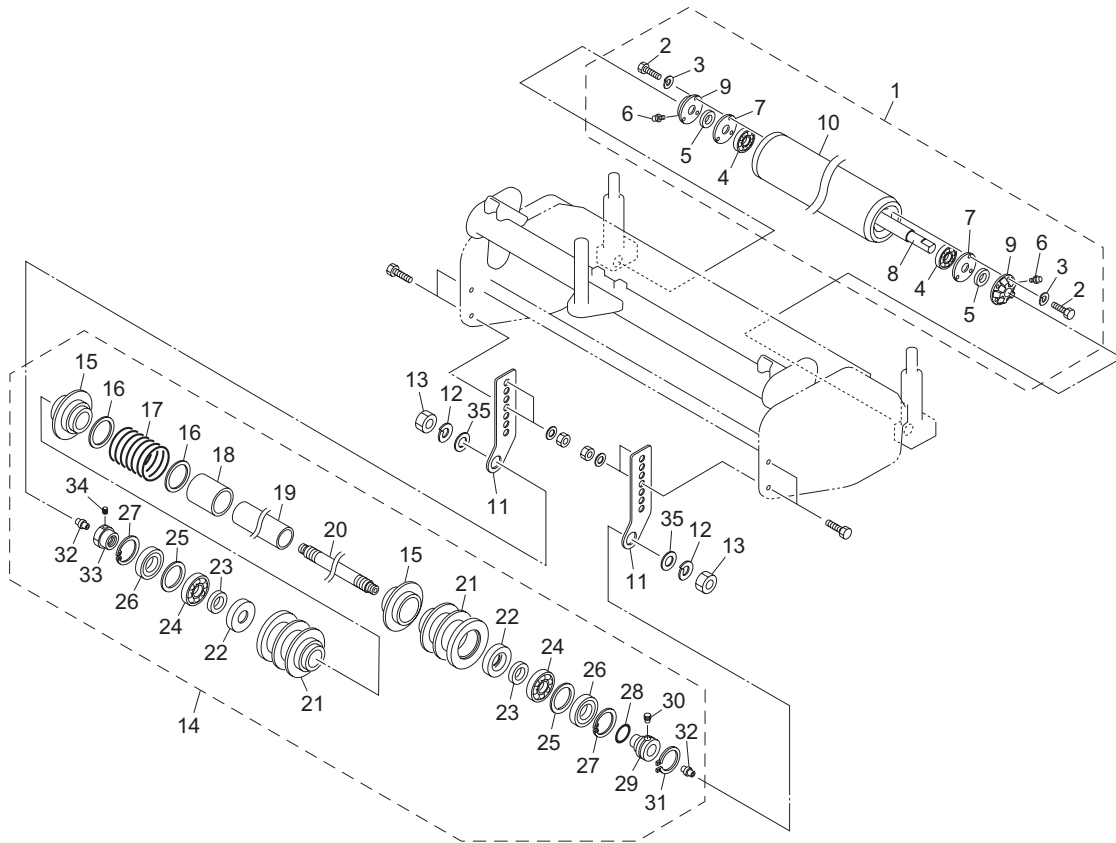


LM3210_048_z01

| Cat No. | Code No. | Part name | Qty | Remark | SN of application |
|---------|---------------|-----------------------------|-----|--------|-------------------|
| 48-1 | K8021000530 | ROLLER ASSY, 872 | 1 | | |
| 48-2 | K0000060152 | BOLT, M6-15 | 6 | | |
| 48-3 | K0200060002 | WASHER, SPRING M6 | 6 | | |
| 48-4 | K0602062030 | BEARING, BALL SHIELD Z 6203 | 2 | | |
| 48-5 | K0821730080 | OIL SEAL, MHSA17308 | 2 | | |
| 48-6 | K1440000010 | GREASE NIPPLE, A TYPE | 2 | | |
| 48-7 | K4015136650 | PACKING, FIBER 1-36-65 | 2 | | |
| 48-8 | K6155000290 | SHAFT, ROLLER 872 | 1 | | |
| 48-9 | K6810000070 | HOUSING, SEAL | 2 | | |
| 48-10 | K740000025D | ROLLER, 76.2-782 | 1 | | |
| 48-11 | LM3200-0137Z0 | WHEEL ASSY, FRONT | 1 | | |
| 48-12 | K0160000662 | NUT, SPECIAL M14-20 | 2 | | |
| 48-13 | K0200140002 | WASHER, SPRING M14 | 2 | | |
| 48-14 | LM3200-0106Z2 | BRACKET, WHEEL | 2 | | |
| 48-15 | LM3200-0107Z2 | COLLAR, WHEEL | 2 | | |
| 48-16 | K5030520430 | WASHER, C2801P 0.5-20-43 | 6 | | |
| 48-17 | K0612062040 | BEARING, BALL SEAL 2RD 6204 | 6 | | |
| 48-18 | K2110000030 | WHEEL, RUBBER 150 | 3 | | |
| 48-19 | K6212000640 | COLLAR, STKM M20.2-25.4-33 | 3 | | |
| 48-20 | K6212002682 | COLLAR, STKM M20.2-2828.5 | 2 | | |
| 48-21 | LM3200-0108Z0 | AXLE | 1 | | |
| 48-22 | K5073214252 | WASHER, SPHC 3.2-14-25 | 2 | | |
| | | | | | |

49. Roller Ass'y section (Type F)

LM3210

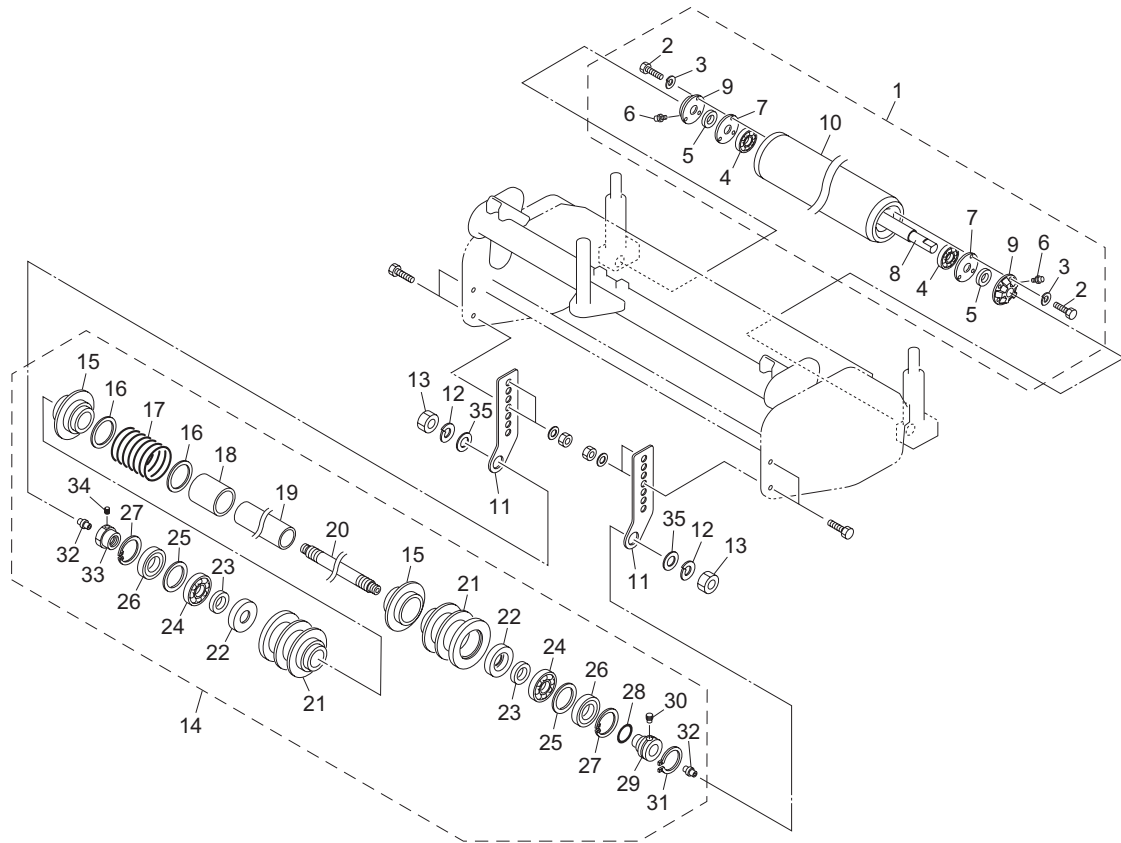


LM3210_049_z01

| Cat No. | Code No. | Part name | Qty | Remark | SN of application |
|---------|---------------|----------------------------------|-----|--------|-------------------|
| 49-1 | K8021000530 | ROLLER ASSY, 872 | 1 | | |
| 49-2 | K0000060152 | BOLT, M6-15 | 6 | | |
| 49-3 | K0200060002 | WASHER, SPRING M6 | 6 | | |
| 49-4 | K0602062030 | BEARING, BALL SHIELD Z 6203 | 2 | | |
| 49-5 | K0821730080 | OIL SEAL, MHSA17308 | 2 | | |
| 49-6 | K1440000010 | GREASE NIPPLE, A TYPE | 2 | | |
| 49-7 | K4015136650 | PACKING, FIBER 1-36-65 | 2 | | |
| 49-8 | K6155000290 | SHAFT, ROLLER 872 | 1 | | |
| 49-9 | K6810000070 | HOUSING, SEAL | 2 | | |
| 49-10 | K740000025D | ROLLER, 76.2-782 | 1 | | |
| 49-11 | K5131001882 | PLATE, SPHC ROLLER BRACKET | 2 | | |
| 49-12 | K0200140002 | WASHER, SPRING M14 | 2 | | |
| 49-13 | K0160000662 | NUT, SPECIAL M14-20 | 2 | | |
| 49-14 | LM318--0172Z0 | ROLLER ASSY, GROOVED REAR | 1 | | |
| 49-15 | K5920000060 | ROLLER, 80 | 22 | | |
| 49-16 | K5051035470 | WASHER, C5191P 1-35-47 | 2 | | |
| 49-17 | K100000073D | SPRING, COMPRESSION M5-51-75 | 1 | | |
| 49-18 | K6212001612 | COLLAR, STKM M35-40-49 | 1 | | |
| 49-19 | K6226000092 | PIPE, ROLLER M28-346-81.2 | 1 | | |
| 49-20 | LM318--0173Z0 | SHAFT, GROOVED REAR ROLLER | 1 | | |
| 49-21 | K620200046D | HOUSING, FOR SLOTTED ROLLER 77 | 2 | | |
| 49-22 | K6803000030 | HOUSING, SEAL | 2 | | |
| 49-23 | K0822035080 | OIL SEAL, MHSA20358 | 2 | | |
| 49-24 | K0631302040 | BEARING, TAPER ROLLER JRP6 30204 | 2 | | |
| 49-25 | K6212001192 | COLLAR, STKM M42-47-3.25 | 2 | | |
| 49-26 | K0822547080 | OIL SEAL, MHSA25478 | 2 | | |
| 49-27 | K0402047001 | RING, RETAINING R M47 | 2 | | |
| 49-28 | K0880020000 | O-RING, P20 | 1 | | |
| 49-29 | K6219000210 | COLLAR, M17-36-28.25 | 1 | | |
| 49-30 | K0071000778 | STOPPER, DRUM COLLAR | 1 | | |

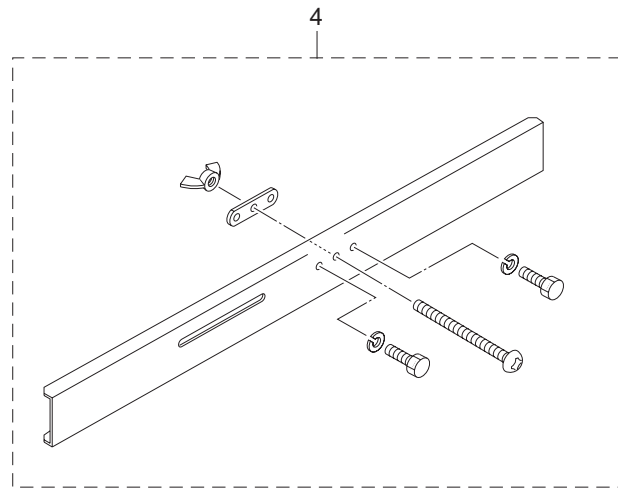
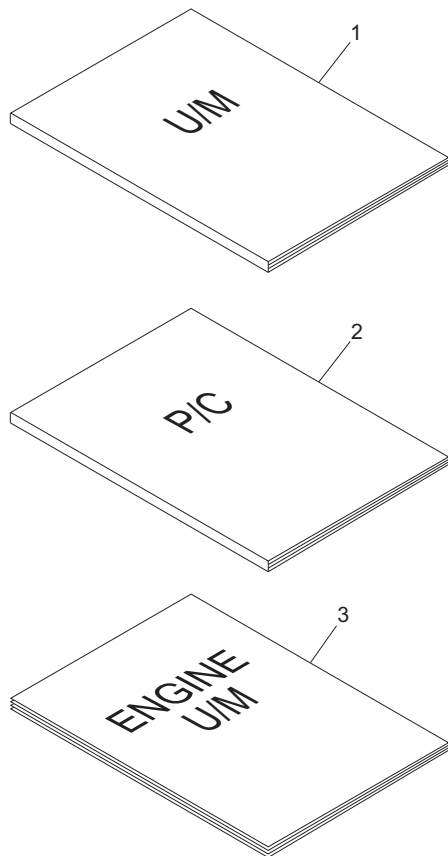
49. Roller Ass'y section (Type F)

LM3210



LM3210_049_z01

| Cat No. | Code No. | Part name | Qty | Remark | SN of application |
|---------|-------------|------------------------|-----|--------|-------------------|
| 49-31 | K0401036001 | RING, RETAINING S M36 | 1 | | |
| 49-32 | K1440000050 | GREASE NIPPLE, M8 | 2 | | |
| 49-33 | K0160000550 | NUT, M20-27 | 1 | | |
| 49-34 | K0023060081 | SETSCREW, M6-8 | 1 | | |
| 49-35 | K5073214252 | WASHER, SPHC 3.2-14-25 | 2 | | |
| | | | | | |
| | | | | | |
| | | | | | |
| | | | | | |
| | | | | | |
| | | | | | |



LM3210_050_z00

| Cat No. | Code No. | Part name | Qty | Remark | SN of application |
|---------|---------------|---------------------------------|-----|--------|-------------------|
| 50a-1 | 750101-100-A | OWNERS OPERATING MANUAL, LM3210 | 1 | | |
| 50a-2 | 750101-100-B | PARTS CATALOG, LM3210 | 1 | | |
| 50-3 | K2699V2403T01 | OPERATING MANUAL, ENGINE KUBOTA | 1 | | |
| 50-4 | K4825000060 | GAUGE ASSY, CUTTING HEIGHT 600 | 1 | | |
| | | | | | |
| | | | | | |
| | | | | | |
| | | | | | |
| | | | | | |
| | | | | | |
| | | | | | |

MEMO

BARONESS[®]
Quality on Demand



KYOEISHA CO., LTD.

Head Office 1-26, Miyuki-cho, Toyokawa, Tel : (0533)84-1390
Aichi-Pref. 442-8530 Japan. Fax : (0533)89-3623