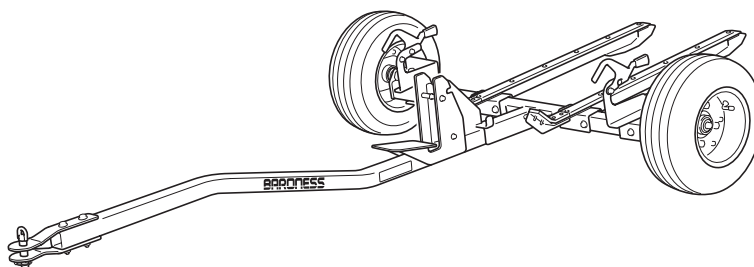


TR50

EZ Carry

Parts catalog



BARONESS[®]

Quality on Demand

Serial No.10001-

Ver.1.0

Greeting

Thank you for purchasing Baroness machine.

This machine has been shipped from the factory after comprehensive test runs and inspections. However, the optimum performance of the machine depends on how you use and maintain it, including routine inspections, adjustments, and fuel supplies before and after the operation.

We hope you will use the machine safely, and take advantage of its best performance.

Note

(For inquiry about this machine)

Since the type of machine may be changed sequentially, inform us of the type and the serial number.

The information described in this manual is subject to change without prior notice.

When replacing parts, be sure to use Baroness parts or parts designated by Kyo-eisha.

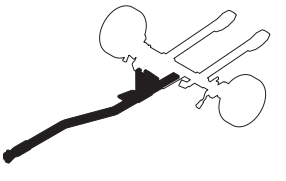
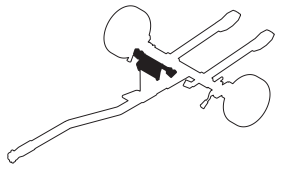
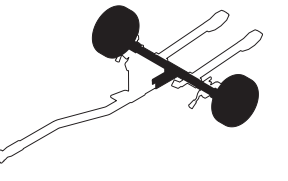
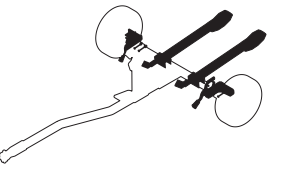
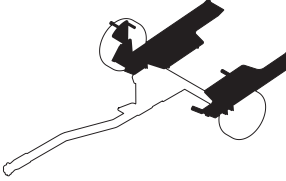
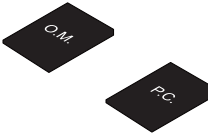
Note that the Baroness product warranty may not apply to defects caused by the use of parts from other companies.

(For ordering parts)

For prevention of delivery of wrong parts, be sure to inform us of the code number and the part name.

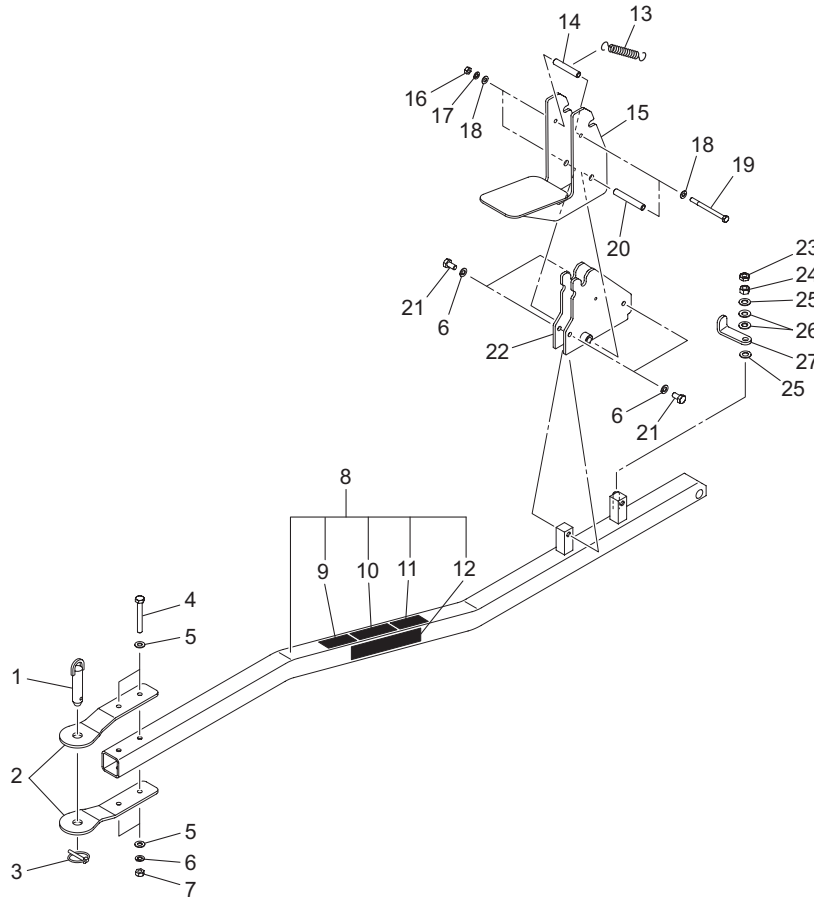
Example:	Code No.	Part Name	Qty
	K0000100202	BOLT, M10-20	1

Contents

<p>1. Towing section A P2</p>  A line drawing of a towing section A, showing a long, curved tow bar connected to a hitch assembly with a ball and a receiver.	<p>2. Towing section B P3</p>  A line drawing of a towing section B, showing a hitch assembly with a ball and a receiver, similar to section A but with a different tow bar configuration.	<p>3. Wheel, Axle section P4</p>  A line drawing of a wheel and axle section, showing a wheel mounted on an axle with a hub and a brake assembly.	<p>4. Tilting table (Drum) section P5</p>  A line drawing of a tilting table (Drum) section, showing a drum mounted on a frame with a tilting mechanism.
<p>5. Tilting table (Tire) section P6</p>  A line drawing of a tilting table (Tire) section, showing a tire mounted on a frame with a tilting mechanism.	<p>6. Accessory section P7</p>  Two small rectangular plates, one labeled 'O.M.' and one labeled 'P.C.', representing accessories.		

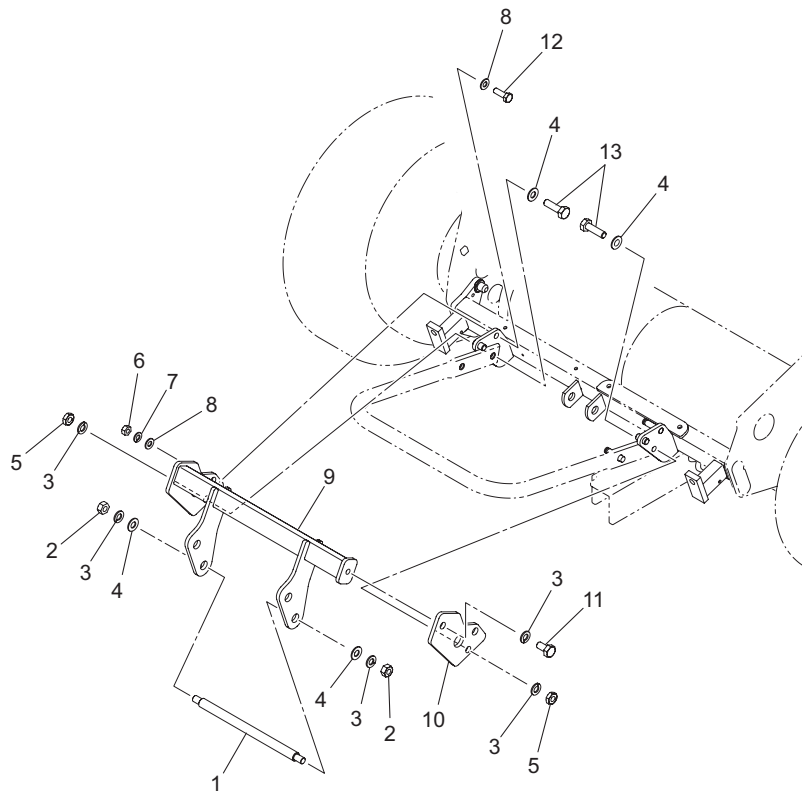
1.Towing section A

TR50



TR50_001_z00

Cat No.	Code No.	Part name	Qty	Remark	SN of application
1-1	K7147000288	HOOK, W/ PIN 20-83	1		
1-2	TR50---0105ZR	HITCH, FIXING TRAILER	2		
1-3	K6061060002	PIN, CLIP M6	1		
1-4	K0000100802	BOLT, M10-80	2		
1-5	K5000100002	WASHER, M10	4		
1-6	K0200100002	WASHER, SPRING M10	6		
1-7	K0100100002	NUT, M10	2		
1-8	TR50---0150Z0	BAR, TOWING W/DECAL	1		
1-9	K4205002160	DECAL, READ OWNERS MANUAL	1		
1-10	K4205002170	DECAL, ATTENTION AT SLOPE	1		
1-11	K4205002180	DECAL, PROHIBITED TO RIDE ON	1		
1-12	K4201000180	STICKER, BARONESS 36	2		
1-13	K1020000088	SPRING, W/ROUND HOOK M2.3-17-78	1		
1-14	K6212004332	COLLAR, STKM M8.2-12.7-71	1		
1-15	TR50---0103AD	HOOK, LOCKING	1		
1-16	K0100080002	NUT, M8	2		
1-17	K0200080002	WASHER, SPRING M8	2		
1-18	K5000080002	WASHER, M8	4		
1-19	K0003081002	BOLT, M8-100	2		
1-20	K6212004342	COLLAR, STKM M8.2-12.7-84	1		
1-21	K0000100202	BOLT, M10-20	4		
1-22	TR50---0107ZR	RETAINER, HOOK	1		
1-23	K0102120002	NUT, M12-3	1		
1-24	K0100120002	NUT, M12	1		
1-25	K5000120002	WASHER, M12	2		
1-26	K0211120002	SPRING, CONICAL DISC H M12	2		
1-27	TR50---0112ZD	HOOK, SECURING AXLE	1		

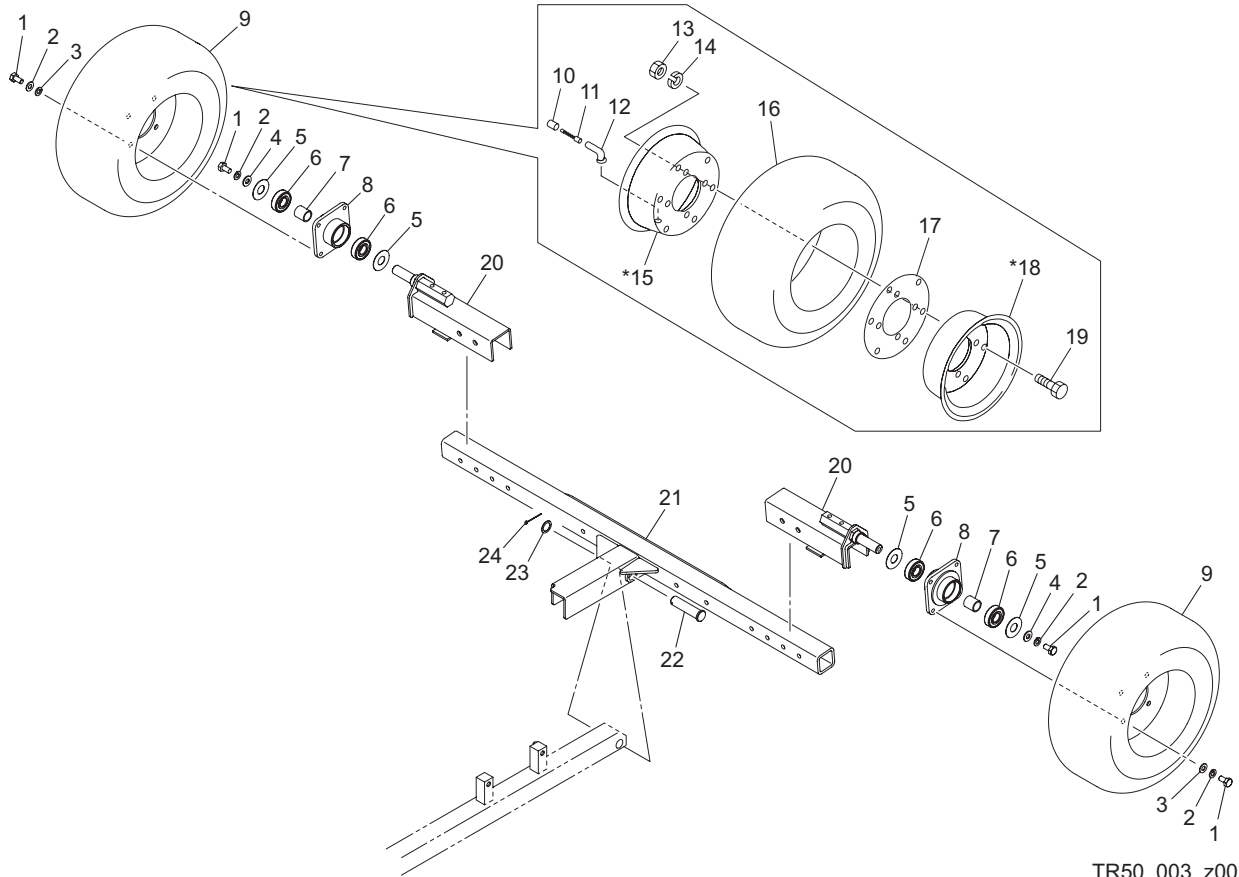


TR50_002_z00

Cat No.	Code No.	Part name	Qty	Remark	SN of application
2-1	TR50---0110Z2	BAR, ROUND W/M10 14-230	1		
2-2	K0100100002	NUT, M10	2		
2-3	K0200100002	WASHER, SPRING M10	5		
2-4	K5000100002	WASHER, M10	4		
2-5	K0102100002	NUT, M10-3	2		
2-6	K0100080002	NUT, M8	1		
2-7	K0200080002	WASHER, SPRING M8	1		
2-8	K5000080002	WASHER, M8	2		
2-9	TR50---0108ZD	FIXTURE, MOWER	1		
2-10	TR50---0109ZD	PLATE, SIDE	1		
2-11	K0000100202	BOLT, M10-20	1		
2-12	K0000080252	BOLT, M8-25	1		
2-13	K0000100352	BOLT, M10-35	2		

3.Wheel, Axle section

TR50

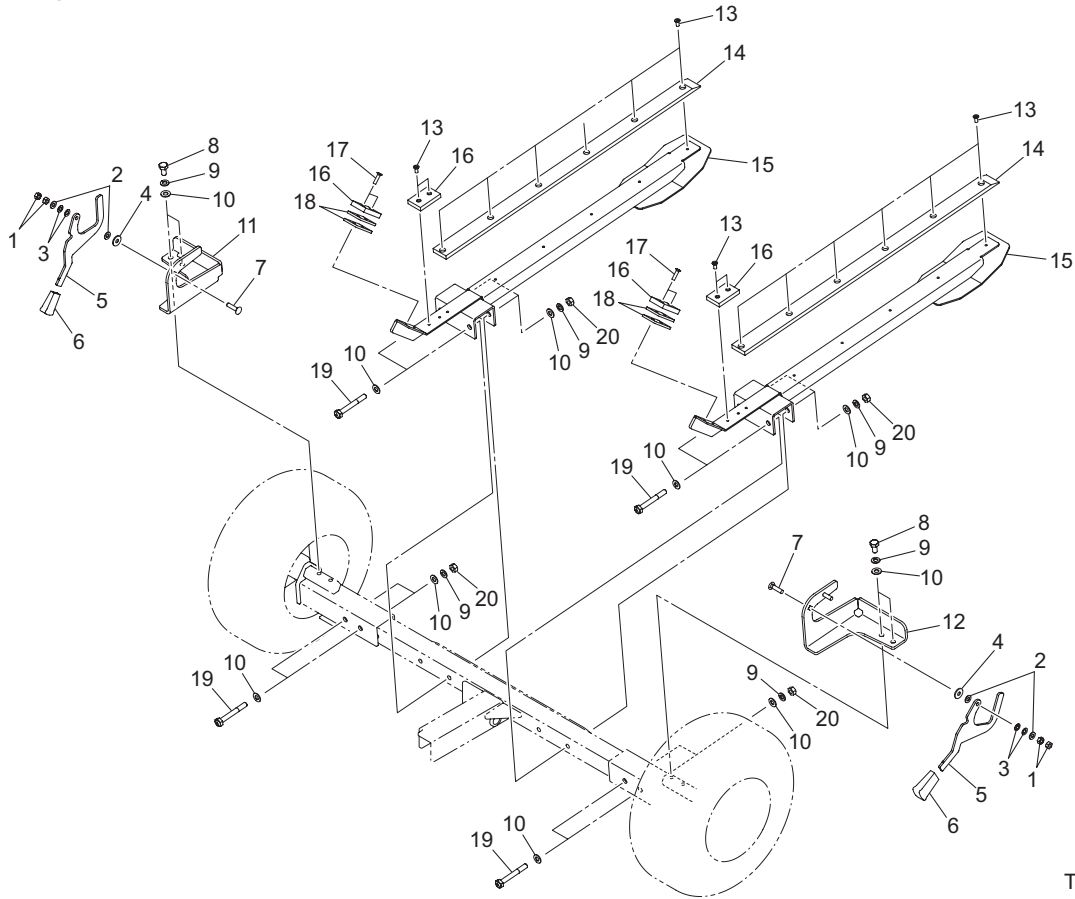


TR50_003_z00

Cat No.	Code No.	Part name	Qty	Remark	SN of application
3-1	K0000100202	BOLT, M10-20	10		
3-2	K0200100002	WASHER, SPRING M10	10		
3-3	K5000100002	WASHER, M10	8		
3-4	K5073210352	WASHER, SPHC 3.2-10-35	2		
3-5	K5011020472	WASHER, SPCC 1-20-47	4		
3-6	K0612062040	BEARING, BALL SEAL 2RD 6204	4		
3-7	K6212000210	COLLAR, STKM 20.2-25.4-27	2		
3-8	GM950-0409Z2	HOUSING, FOR FRONT WHEEL	2		
3-9	K2070000040	TIRE ASSY, 16*6.50-8	2		
3-10	K2093000010	CAP, VALVE	2		
3-11	K2092000010	CORE, VALVE NO.8000	2		
3-12	K2097000040	VALVE, RIM PVR70	2		
3-13	K0100080002	NUT, M8	12		
3-14	K0200080002	WASHER, SPRING M8	12		
* 3-15	K209000012L	WHEEL, 5.50-8	2	Order w/3-18	
3-16	K2071000030	TIRE, 16*6.50-8 R810APR4	2		
3-17	K2095000010	PACKING, F-8P-D	2		
* 3-18	K209000011L	WHEEL, 5.50-8	2	Order w/3-15	
3-19	K0000080152	BOLT, M8-15	12		
3-20	TR50---0301AR	BRACKET, WHEEL SHAFT	2		
3-21	TR50---0201ZR	AXLE	1		
3-22	K6031200822	PIN, FLAT HEAD HT M20-82	1		
3-23	K5011020282	WASHER, SPCC 1-20-28	1		
3-24	K0300032402	PIN, COTTER M3.2-40	1		

4. Tilting table (Drum) section

TR50

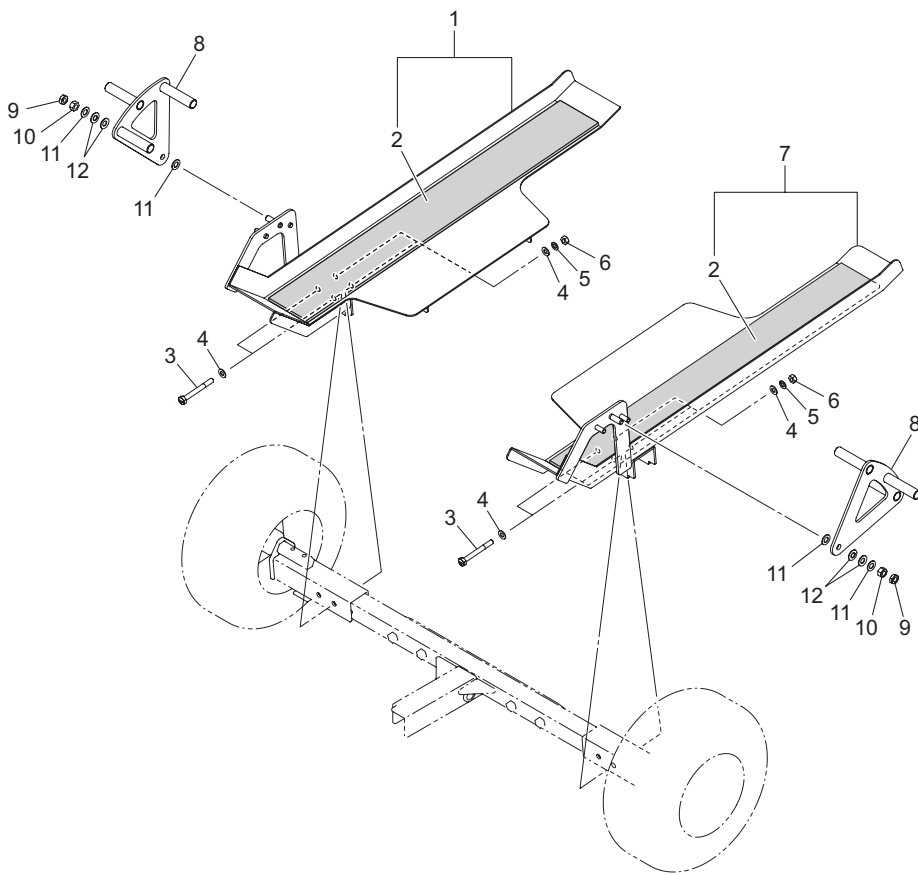


TR50_004_z00

Cat No.	Code No.	Part name	Qty	Remark	SN of application
4-1	K0100080002	NUT, M8	4		
4-2	K5000080002	WASHER, M8	4		
4-3	K0210080002	SPRING, CONICAL DISC L M8	4		
4-4	K5073208202	WASHER, SPHC 3.2-8-20	2		
4-5	TR50---0404Z2	LEVER, LOCKING DRUM SHAFT	2		
4-6	K1301000130	GRIP, PLASTIC SQUARE	2		
4-7	K0025080352	BOLT, ROUND HEAD SQUARE ROOT M8-35	2		
4-8	K0000100202	BOLT, M10-20	4		
4-9	K0200100002	WASHER, SPRING M10	12		
4-10	K5000100002	WASHER, M10	20		
4-11	TR50---0409ZD	LOCK, DRUM SHAFT (LH)	1		
4-12	TR50---0408ZD	LOCK, DRUM SHAFT (RH)	1		
4-13	K0041060152	SCREW, + FLAT HEAD M6-15	16		
4-14	TR50---0410Z0	RUBBER, CR 10-40-795C	2		
4-15	TR50---0401ZR	TILTING TABLE, DRUM	2		
4-16	K4033000380	STOPPER, URETHAN RUBBER	4		
4-17	K0041060252	SCREW, + FLAT HEAD M6-25	4		
4-18	K511700036R	PLATE, SPHC 4.5-40-63 W/HOLE	0-4	for adjustment	
4-19	K0013100802	BOLT, HT M10-80	8		
4-20	K0100100002	NUT, M10	8		

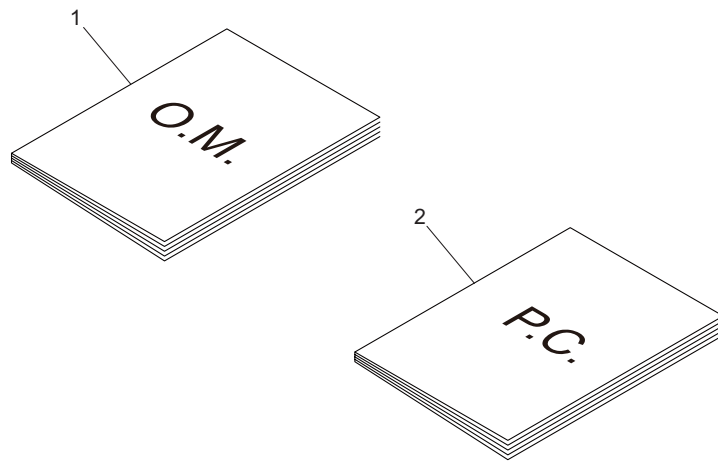
5.Tilting table (Tire) section

TR50



TR50_005_z00

Cat No.	Code No.	Part name	Qty	Remark	SN of application
5-1	TR50---0507Z0	TILTING TABLE, TIRE W/MARK (RH)	1		
5-2	K4400000110	SHEET, NONSKID 910100	2		
5-3	K0013100902	BOLT, HT M10-90	4		
5-4	K5000100002	WASHER, M10	8		
5-5	K0200100002	WASHER, SPRING M10	4		
5-6	K0100100002	NUT, M10	4		
5-7	TR50---0508Z0	TILTING TABLE, TIRE W/MARK (LH)	1		
5-8	TR50---0503ZD	LEVER, LOCKING TIRE	2		
5-9	K0102120002	NUT, M12-3	2		
5-10	K0100120002	NUT, M12	2		
5-11	K5000120002	WASHER, M12	4		
5-12	K0211120002	SPRING, CONICAL DISC H M12	4		



TR50_006_z00

Cat No.	Code No.	Part name	Qty	Remark	SN of application
6a-1	750103-122-A	OWNERS OPERATING MANUAL, TR50	1		
6a-1	750103-122-B	PARTS CATALOG, TR50	1		

MEMO

BARONESS[®]
Quality on Demand



KYOEISHA CO., LTD.

Head Office 1-26, Miyuki-cho, Toyokawa, Tel : (0533)84-1390
Aichi-Pref. 442-8530 Japan. Fax : (0533)89-3623