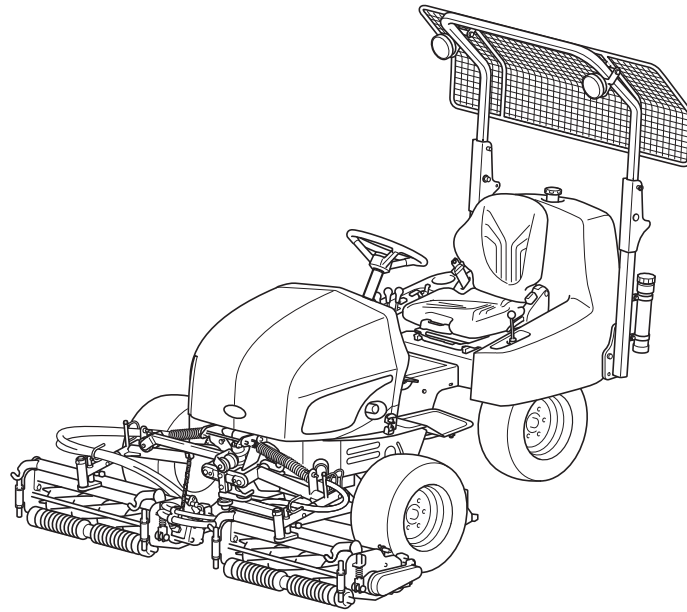


# ***LM331***

3-Unit Surround & Trim Mower

## Owner's Operating Manual



Serial No. LM331 : 10001-

"Required reading"

Read this manual and the Owner's Manual for the engine before using the machine.

---

**BARONESS**<sup>®</sup>  
Quality on Demand

Original Instructions Ver.1.0

# Regulations

---

## California Proposition65

(For California, USA)

### WARNING:

Operating, servicing and maintaining a passenger vehicle or off-road vehicle can expose you to chemicals including engine exhaust, carbon monoxide, phthalates, and lead, which are known to the State of California to cause cancer and birth defects or other reproductive harm. To minimize exposure, avoid breathing exhaust, do not idle the engine except as necessary, service your vehicle in a well-ventilated area and wear gloves or wash your hands frequently when servicing your vehicle. For more information go to [www.P65Warnings.ca.gov/passenger-vehicle](http://www.P65Warnings.ca.gov/passenger-vehicle).

318yi8-005

California Proposition65\_001

## CALIFORNIA SPARK ARRESTER

(For California, USA)

### Warning

Operation of this equipment may create sparks that can start fires around dry vegetation.

A spark arrester may be required.

The operator should contact local fire agencies for laws or regulations relating to fire prevention requirements.

The engine of this machine is not equipped with a spark arrester.

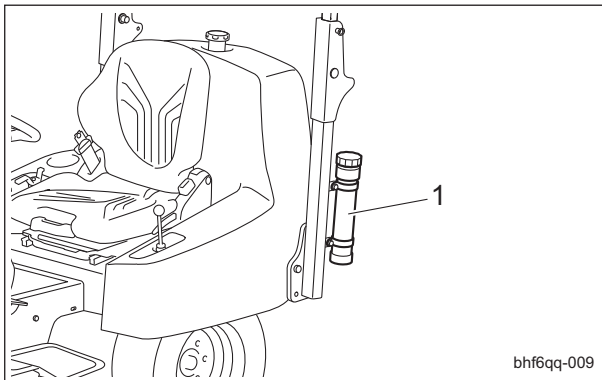
In some areas there are local, state, or federal regulations requiring that a spark arrester be used on the engine of this machine.

Thank you for purchasing the Baroness machine.  
This manual explains proper handling,  
adjustment, and inspection of your machine.  
Prior to use, carefully read this manual to  
thoroughly understand the contents for safe and  
correct operation.

We hope you will use the machine safely, and  
take advantage of its best performance.  
For handling, adjustment and inspection of the  
mower units, refer to the Owner's Operating  
Manual for the mower unit.

### Keeping the Owner's Operating Manual

Keep this Manual in the box on the left side of  
the ROPS.



bhf6qq-009

Keeping the Owner's Operating Manual\_001

1	Box
---	-----

# Introduction

---

Read this manual carefully to ensure that you thoroughly understand how to properly operate and maintain this machine, and to avoid causing injury to yourself or others.

The operator is responsible for operating the machine properly and safely.

Do not perform maintenance on the machine other than that described in this manual.

Be sure to also read the Owner's Manual for the engine, battery, etc.

Maintenance should only be performed by a certified specialist.

If you have any questions concerning maintenance or genuine parts, please contact your local Baroness dealer or Kyoisha.

When making inquiries about this machine, please specify the machine's model designation and serial number.

When loaning or transferring this machine, please also provide this manual together with the machine.

Kyoisha Co., Ltd.

## Caution

The information described in this manual is subject to change for improvement without prior notice. When replacing parts, be sure to use genuine Baroness parts or parts designated by Kyoisha. Note that the Baroness product warranty may not apply to defects caused by the use of parts from other companies.

## Warning Symbols

This manual uses the following warning symbols for handling precautions that are important for your safety.



696cq5-001

Warning symbol

This symbol indicates the articles regarding “Danger,” “Warning,” or “Caution.”

Those articles describe important safety precautions and so read them carefully to understand completely before operating the machine.

Failure to adequately follow these safety precautions may cause an accident.

## Danger

This symbol indicates that serious injury or death will occur if the warning is ignored.

## Warning

This symbol indicates that serious injury or death may occur if the warning is ignored.

## Caution

This symbol indicates that injury or damage to property may occur if the warning is ignored.

## Important

This symbol indicates precautions on the mechanism of the machine.

## Purpose

This machine is intended for cutting turf grass at golf courses.

Do not use this machine in any way other than its intended purpose, and do not modify the machine.

Operating this machine for other purposes and modifying it may be very dangerous and may cause damage to the machine.

In addition, this machine is not authorized for operation as a special motor vehicle. Do not operate it on public roads.

LM331

# Introduction

---

<b>Safety</b> .....	<b>Page 1-1</b>
Safe Operating Practices .....	Page 1-2
<b>Disposal</b> .....	<b>Page 2-1</b>
Recycle and Waste Disposal .....	Page 2-2
<b>Product Overview</b> .....	<b>Page 3-1</b>
Specifications .....	Page 3-2
Names of Each Section .....	Page 3-4
Safety Signs and Instruction Signs .....	Page 3-6
<b>Handling Instructions</b> .....	<b>Page 4-1</b>
Inspection Before Use .....	Page 4-2
Tightening torques .....	Page 4-13
Adjustment Before Operating .....	Page 4-16
Procedure to Start / Stop Engine .....	Page 4-18
Operation of Each Section .....	Page 4-20
Instruments .....	Page 4-31
Travel of Machine .....	Page 4-33
Cutting Work .....	Page 4-35
Transporting .....	Page 4-36
<b>Maintenance</b> .....	<b>Page 5-1</b>
Maintenance Precautions .....	Page 5-2
Maintenance Schedule .....	Page 5-2
Jacking up the machine .....	Page 5-6
Greasing .....	Page 5-8
Maintenance (Main Body) .....	Page 5-10
Long-Term Storage .....	Page 5-21

LM331

# Contents

---



**Safe Operating Practices ..... Page 1-2**

Training ..... Page 1-2

Preparation ..... Page 1-2

Operation ..... Page 1-3

Maintenance and storage ..... Page 1-4



# Safety

Failure to adequately follow these safety precautions may cause an accident resulting in injury or death.

## Danger

This machine is designed to ensure safe operation and has been tested and inspected thoroughly before shipment from the factory. The machine is equipped with safety devices to prevent accidents.

However, whether the machine demonstrates its original performance level depends on the manner in which it is operated and handled, as well as the manner in which it is managed on a daily basis.

Inappropriate use or management of the machine may result in injury or death.

Observe the following safety instructions to ensure safe operation.

## Safe Operating Practices

The following instructions include the ones from CEN standard EN 836: 1997, ISO standard 5395: 1990, and ANSI B71.4-2004.

### Training

1. Read this manual and other training material carefully. Be familiar with the controls, safety signs, and the proper use of the equipment.
2. If the operator or mechanic can not read English it is the owner's responsibility to explain this manual to them.
3. All operators and mechanics should seek and obtain professional and practical instruction.

The owner is responsible for training the users.

Such instruction should emphasize.

- [1] The need for care and concentration when working with ride-on machines.
- [2] Control of a ride-on machine sliding on a slope will not be regained by the application of the brake.  
The main reasons for loss of control are
  - Insufficient wheel grip
  - Being driven too fast
  - Inadequate braking
  - The type of machine is unsuitable for its task
  - Lack of awareness of the effect of ground conditions, especially slopes

- Incorrect hitching and load distribution

4. Never allow children or people unfamiliar with these instructions to use or service the machine.  
Local regulations may restrict the age of the operator.
5. The owner/user can prevent and is responsible for accidents or injuries occurring to themselves, other people, or property.
6. Keep in mind that the owner, operator, and mechanic are responsible for accidents or hazards occurring to other people or their property.

### Preparation

1. Evaluate the terrain to determine what accessories and attachments are needed to properly and safely perform the job. Only use accessories and attachments approved by the manufacturer.
2. While operating, always wear substantial footwear, long trousers, hard hat, safety glasses, and ear protection. Long hair, loose clothing, or jewelry may get tangled in moving parts. Do not operate the equipment when barefoot or wearing open sandals.
3. Inspect the area where the equipment is to be used and remove all objects such as rocks, toys and wire which can be thrown by the machine.
4. Exercise care in the handling of fuel.

## Warning

Warning-Fuel is highly flammable. Take the following precautions.

- [1] Store fuel in containers specifically designed for this purpose.
- [2] Add fuel before starting the engine. Never remove the cap of the fuel tank or add fuel while the engine is running or when the engine is hot.
- [3] Refuel outdoors only and do not smoke while refueling.
- [4] If fuel is spilled, do not attempt to start the engine but move the machine away from the area of spillage and avoid creating any source of ignition until petrol vapours have dissipated.
- [5] Replace all fuel tanks and container caps securely.

5. Check that operator's presence controls, safety switches and shields are attached and functioning properly. Do not operate unless they are functioning properly.
6. If the brake operation is faulty or the parking brake lever has noticeable play, be sure to adjust or repair them before operating the machine.
7. Replace faulty mufflers.
8. On multi-cylinder/multi-reel machines take care as rotating one cylinder/reel can cause other cylinder/reels to rotate.
6. Do not change the engine governor settings or overspeed the engine. Operating the engine at excessive speed may increase the hazard of personal injury.
7. Do the following before leaving the operator's position.
  - [1] Stop on level ground.
  - [2] Disengage the power take-off and lower the attachments.
  - [3] Change into neutral and set the parking brake.
  - [4] Stop the engine and remove the key.

## Operation

1. Do not operate the engine in a confined space where dangerous carbon monoxide fumes can collect.
2. Only operate in good light, keeping away from holes and hidden hazards.
3. Before attempting to start the engine, disengage all attachments, shift into neutral, and engage the parking brake. Only start engine from the operator's position. Use seat belts if provided.
4. Remember there is no such thing as a safe slope. Travel on grass slopes requires particular care. To guard against overturning:
  - [1] Do not stop or start suddenly when going up or downhill.
  - [2] Engage clutch slowly, always keep machine in gear, especially when traveling downhill.
  - [3] Machine speeds should be kept low on slopes and during tight turns.
  - [4] Stay alert for humps and hollows and other hidden hazards.
  - [5] Never operate across the face of the slope, unless the machine is designed for this purpose.
  - [6] Never drive the machine on a slope with an angle of gradient that is greater than that specified or in a place where there is a danger of the machine slipping.
5. Never operate the machine with damaged guards, shields, or without safety protective devices in place. Be sure all interlocks are attached, adjusted and functioning properly.
8. Disengage the drive to attachments, stop the engine, and remove the ignition key in the following conditions.
  - [1] Before refueling.
  - [2] Before removing the grass catcher/catchers.
  - [3] Before making height adjustment unless adjustment can be made from the operator's position.
  - [4] Before cleaning blockages.
  - [5] Before checking, cleaning, or working the machine.
  - [6] After striking a foreign object or if an abnormal vibration occurs. Inspect the machine for damage and make repairs before restarting and operating the equipment.
9. Keep hands and feet away from the cutting units and the rotating parts.
10. Look behind and down before backing up to be sure of a clear path.
11. Do not carry passengers.
12. Never operate while people, especially children, or pets are nearby.
13. Slow down and use caution when making turns and crossing roads and sidewalks.
14. Stop the blades rotating before crossing surfaces other than grass.
15. Disengage drive to attachments when transporting or not in use.
16. When using any attachments, never direct discharge of material toward bystanders nor allow anyone near the machine while in operation.
17. Do not operate the machine under the influence of alcohol or drugs.

# Safety

---

18. Take care when loading or unloading the machine into a trailer or a truck. Load or unload the machine in a flat and safe place. Before loading or unloading, set the parking brake on the truck or trailer, stop the engine, and chock the wheels.  
When transporting the machine on a truck or a trailer, set the parking brake, stop the engine, and fasten the machine to the truck with a rope or other suitable restraining device that has sufficient strength.  
When using a loading ramp, select one with sufficient strength, length, and width and that will not cause the machine to slip.
19. Close the fuel valve before transporting the machine.
20. Use care when approaching blind corners, shrubs, trees, or other objects that may obscure vision.
21. Do not take your eyes off the road ahead. Do not operate the machine with no hands.
22. Reduce the throttle setting during engine run-out and, if the engine is provided with a shut-off valve, turn the fuel off at the conclusion of operation.
9. Never allow untrained personnel to service machine.
10. Allow the engine/muffler to cool before checking/maintenance.
11. Appropriately manage and correctly use the tools necessary for servicing or adjusting the machine.
12. Use jack stands to support components when required.
13. Carefully release pressure from components with stored energy.
14. Be sure to depressurize the hydraulic system before performing maintenance operations on it such as removing hydraulic equipment.
15. Check whether line connectors in the hydraulic system are properly tightened. Before applying hydraulic pressure, check the connections of the hydraulic pressure lines and the condition of the hoses.
16. When checking the hydraulic circuit for pinhole leaks or oil leakage from nozzles, do not use your hands. Use items such as paper or corrugated cardboard to find leakage points. Be extremely careful with high-pressure oil as it may pierce your skin, resulting in an injury.  
If fluid is injected into the skin it must be surgically removed within a few hours by a doctor familiar with this form of injury or gangrene may result.

## Maintenance and storage

1. Disengage drives on level ground, lower the attachments, set parking brake, stop engine and remove key from ignition. Wait for all movement to stop before adjusting, cleaning or repairing.
2. When machine is to be parked, stored, or left unattended, lower the cutting units unless a positive mechanical lock is provided.
3. To reduce the fire hazard, keep the engine, silencer/muffler, battery compartment fuel storage area, cutting unit and drives free of grass, leaves, or excessive grease. Clean up oil or fuel spillage.
4. Allow the engine to cool before storing in any enclosure.
5. Only cover the machine with a sheet after hot parts have sufficiently cooled down.
6. Never store the equipment with fuel in the tank inside a building where fumes may reach an open flame or spark.
7. If the engine is provided with a shut-off valve, shut off valve while storing or transporting.
8. Do not store fuel near flames.
17. Disconnect battery before making any repairs. Disconnect the negative terminal first and the positive last. Reconnect positive first and negative last.
18. Make sure that parts such as wires are not touching each other and that their covers have not come off.
19. Use care when checking the cylinders/reels and bed knives.
  - [1] Wear gloves and use caution when servicing them.
  - [2] Be careful during adjustment of the machine to prevent entrapment of the fingers between moving blades and fixed parts of the machine.
20. On multi-cylinder/multi-reel machines take care as rotating one cylinder/reel can cause other cylinder/reels to rotate.
21. Keep hands and feet away from moving parts. If possible, do not make adjustments with the engine running.

22. Charge batteries in an open well ventilated area, away from spark and flames. Unplug charger before connecting or disconnecting from battery. Wear protective clothing and use insulated tools.
23. Keep all parts in good working condition and all hardware tightened. Replace all worn or damaged decals.
24. Keep all nuts, bolts and screws tight to be sure the equipment is in safe working condition.
25. Check the grass catcher frequently for wear or deterioration.
26. If the fuel tank has to be drained, do this outdoors.



**Recycle and Waste Disposal ..... Page 2-2**

About Recycle .....Page 2-2

About the Waste disposal ..... Page 2-2

Disposal

# Disposal

---

## Recycle and Waste Disposal

### About Recycle

Recycling battery etc. is recommended for environmental conservation and economical use of resources.

It may be required by local laws.

### About the Waste disposal

Make sure that waste generated when servicing or repairing the machine is disposed of in accordance with local regulations. (e.g. waste oil, antifreeze, rubber products, and wires etc.)



**Specifications ..... Page 3-2**

Specifications .....	Page 3-2
Sound pressure level .....	Page 3-3
Sound power level .....	Page 3-3
Vibration level .....	Page 3-3

**Names of Each Section ..... Page 3-4**

Serial Number Plate .....	Page 3-4
Specification Decal .....	Page 3-5
Noise Emission Decal .....	Page 3-5
Year of Manufacture Decal .....	Page 3-5
ROPS Authentication Decal .....	Page 3-5
Battery capacity decal .....	Page 3-5
Recycle Decal .....	Page 3-5
Battery Danger Decal .....	Page 3-6

**Safety Signs and Instruction Signs ..... Page 3-6**

About Safety Signs and Instruction Signs .....	Page 3-6
Positions of Safety Decals and Instruction Decals .....	Page 3-6
Description of Safety Decals and Instruction Decals .....	Page 3-8

# Product Overview

## Specifications

### Specifications

Model		LM331		
Dimensions	Total length		100.00 in	254 cm
	Total width		83.46 in	212 cm
	Total height	ROPS	77.17 in	196 cm
Weight	3WD (empty fuel tank)	LH unit	with groomer, CR brush, ROPS, Light, Ball proof net without grass catcher	2006.17 lb 910 kg
		LS unit	with CR brush, ROPS, Light, Ball proof net without grass catcher	1900.35 lb 862 kg
	Grass catcher (for one machine)		33.07 lb	15.0 kg
Minimum turning radius	LH unit	Front wheel (outer wheel) outside	77.95 in	198 cm
		Outer side of unit	89.76 in	228 cm
	LS unit	Front wheel (outer wheel) outside	77.95 in	198 cm
		Outer side of unit	89.37 in	227 cm
Engine	Model		Kubota D902-E4B	
	Type		Vertical Water-cooled 4-cycle diesel engine	
	Total displacement		54.79 cu.in.	898 cm <sup>3</sup> (0.898 L)
	Maximum output		13.4 kW (18.2 PS)/2600 rpm	
Fuel tank capacity		6.61 U.S.gals	Diesel 25.0 dm <sup>3</sup> (25.0 L)	
Fuel consumption		189.0 g/PS · h (rated output)	257 g/kW · h (rated output)	
Engine oil capacity		0.98 U.S.gals	3.7 dm <sup>3</sup> (3.7 L)	
Operating width (Mowing width)		72.05 in	183 cm	
Operating height (Mowing height)		LH unit	0.315 - 1.772 in	8.0 - 45.0 mm
		LS unit	0.394 - 1.811 in	10.0 - 46.0 mm
Drive	Traveling		HST (2WD/3WD selectable)	
	Mowing		Hydraulic (Gear motor drive)	
Speed (HST)	Forward	2WD	8.70 mph	2WD : 14.0 km/h
		3WD	5.41 mph	3WD : 8.7 km/h
Reverse	2WD	6.22 mph	2WD : 10.0 km/h	
	3WD	3.85 mph	3WD : 6.2 km/h	
Speed (Mechanical)		-		
Efficiency		2.89 acres/hour (4.97 mph x mowing width x 0.8)	11,712 m <sup>2</sup> /h (8.0 km/h x mowing width x 0.8)	
Maximum inclination for operation		15 degrees		
Tire size		Front wheel	20 x 12.00-10 4P	

Tire size	Rear wheel	20 x 8.00-10 4P	
Tire pneumatic pressure	Front wheel	20.30 psi	140 kPa (1.4 kgf/cm <sup>2</sup> )
	Rear wheel	20.30 psi	140 kPa (1.4 kgf/cm <sup>2</sup> )
Battery		75D23L	

The factory default maximum engine rpm is 2,800 rpm.

### Sound pressure level

#### Sound pressure level

This machine was confirmed to have a continuous A-weighted sound pressure level of 83 dB by measuring identical machines in accordance with the procedure specified in ISO5395-1:2013.

### Sound power level

#### Sound power level

This machine was confirmed to have a sound power level of 103 dB by measuring identical machines in accordance with the procedure specified in directive 2000/14/EC.

### Vibration level

#### Hand-arm vibration

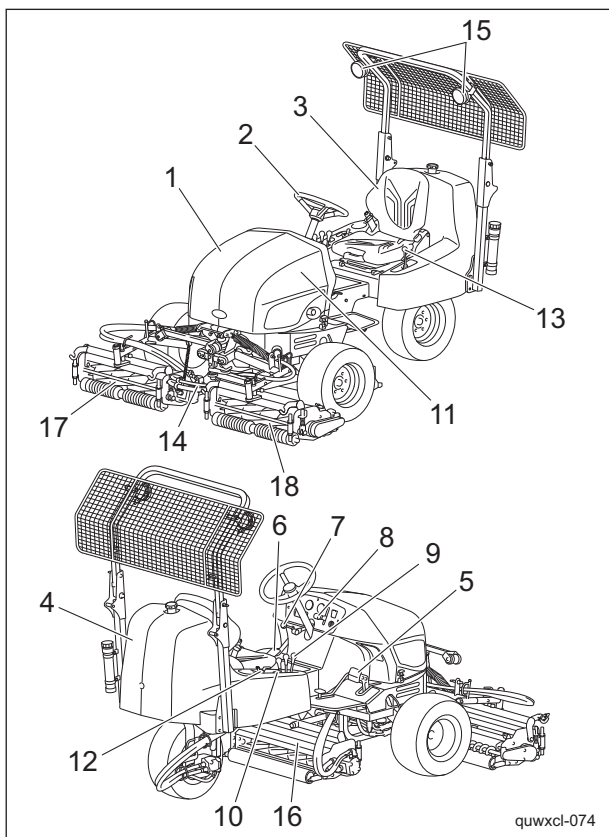
This machine was confirmed not to exceed a vibration level of 2.5 m/s<sup>2</sup> to hands and arms by measuring identical machines in accordance with the procedure specified in ISO 5349-1:2001,ISO 5349-2:2001.

#### Whole body vibration

This machine was confirmed not to exceed a vibration level of 0.5 m/s<sup>2</sup> to the whole body by measuring identical machines in accordance with the procedure specified in ISO 2631-1:1997,ISO 2631-2:2003.

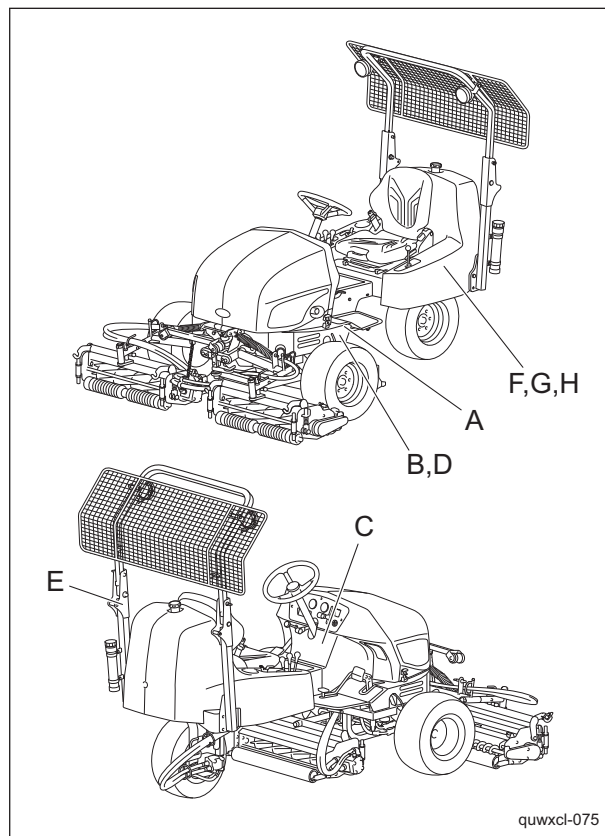
# Product Overview

## Names of Each Section



Names of Each Section\_001

1	Hood
2	Steering wheel
3	Seat
4	Rear cover
5	Traveling pedal
6	Brake pedal
7	Parking brake lever
8	Throttle lever
9	Mower unit up/down lever
10	Reel rotation switch
11	Reel reverse switch
12	Stop valve
13	2WD/3WD selector lever
14	Reel rotation/stop switching lever
15	Light
16	Mower unit #1
17	Mower unit #2
18	Mower unit #3

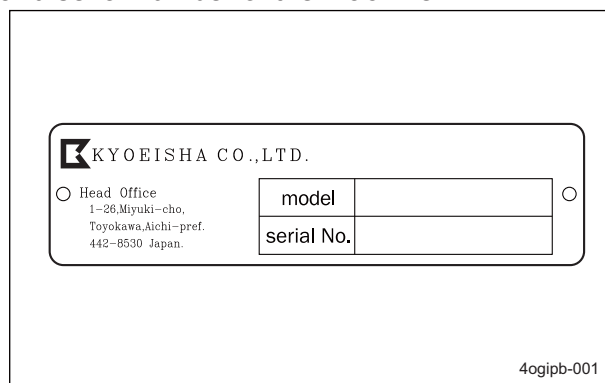


Names of Each Section\_002

A	Serial number plate
B	Specification decal
C	Noise emission decal
D	Year of manufacture decal
E	ROPS compliance decal
F	Battery capacity decal
G	Recycle decal
H	Battery danger decal

## Serial Number Plate

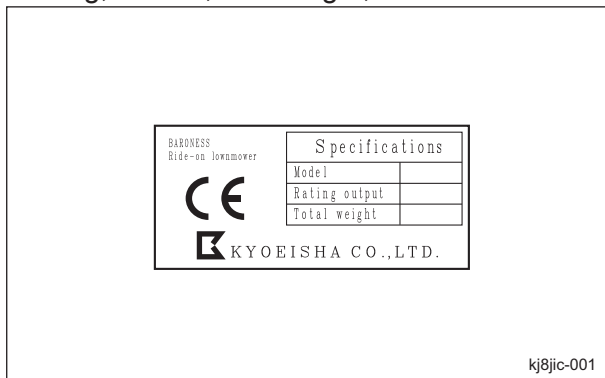
The serial number plate indicates the model and serial number of the machine.



Serial Number Plate\_001

## Specification Decal

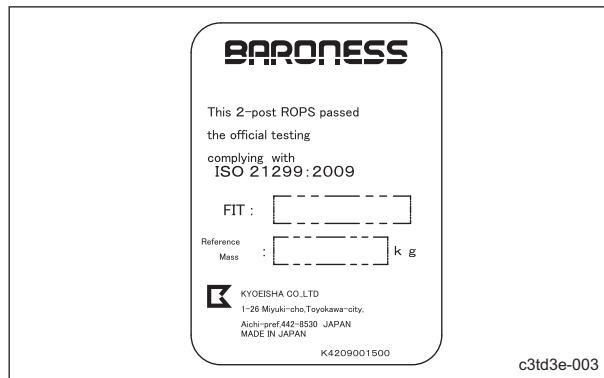
(For Europe)  
The Specification decal indicates the CE marking, model, and weight, etc.



Specification Decal\_001

## ROPS Authentication Decal

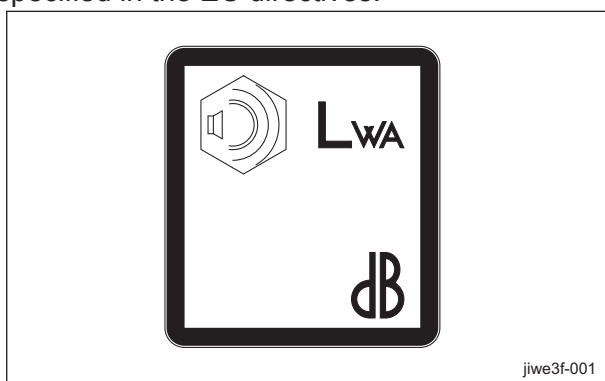
The ROPS authentication decal indicates the manufacturer, model, etc., in accordance with International Standard ISO 21299:2009.



ROPS Authentication Decal\_001

## Noise Emission Decal

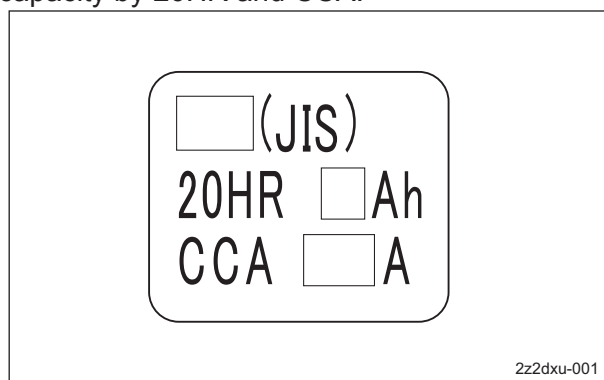
(For Europe)  
The noise emission decal indicates the sound power level determined by measuring identical machines in accordance with the procedure specified in the EC directives.



Noise Emission Decal\_001

## Battery capacity decal

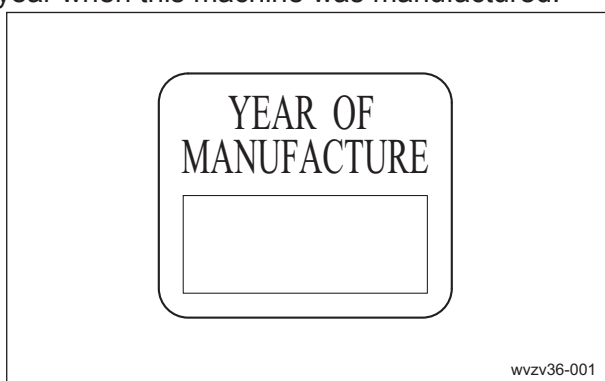
(For Europe)  
The battery capacity decal indicates the capacity by 20HR and CCA.



Battery capacity decal\_001

## Year of Manufacture Decal

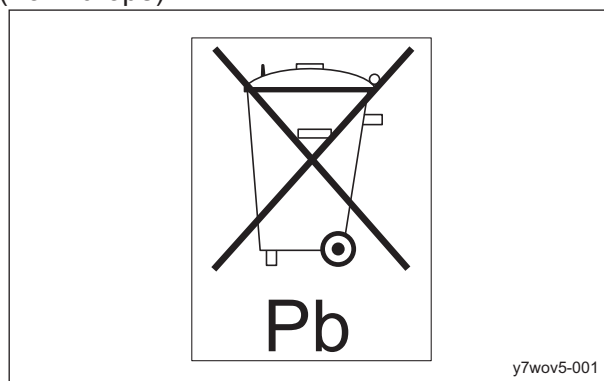
(For Europe)  
The year of manufacture decal indicates the year when this machine was manufactured.



Year of Manufacture Decal\_001

## Recycle Decal

Recycle Decal illustrates Recycle Mark in accordance with local regulation.  
(For Europe)



Recycle Decal\_001

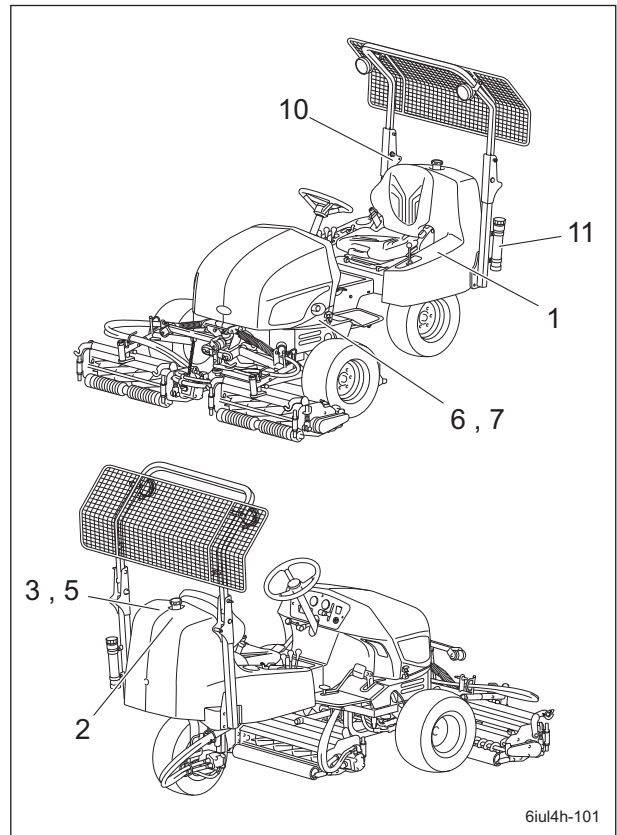
# Product Overview

(For USA)



Recycle Decal\_002

## Positions of Safety Decals and Instruction Decals

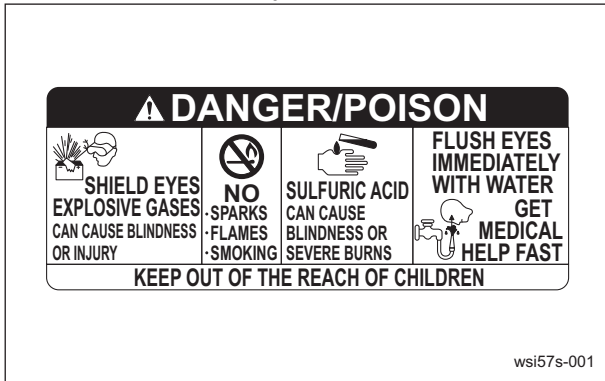


Positions of Safety Decals and Instruction Decals\_001

## Battery Danger Decal

(For USA)

Battery Danger Decal describes handling precautions for battery.



Battery Danger Decal\_001

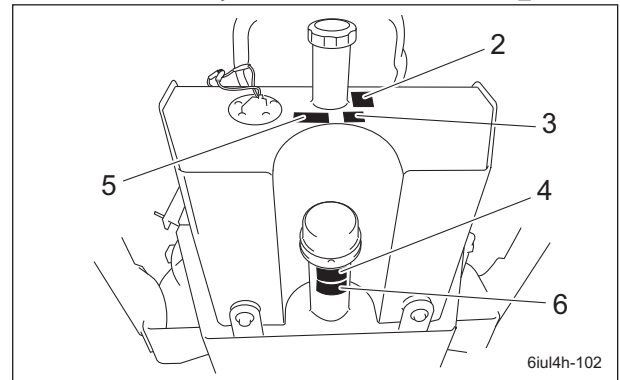
## Safety Signs and Instruction Signs

### About Safety Signs and Instruction Signs

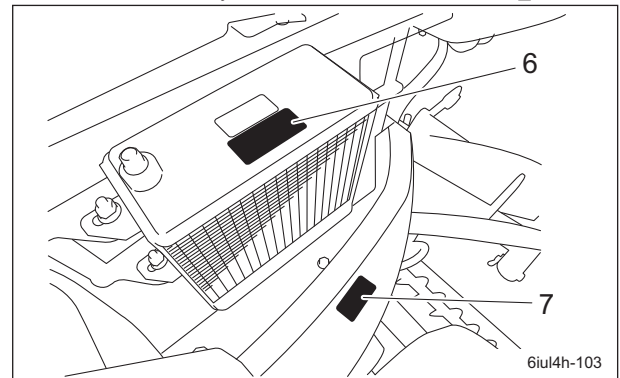
#### Warning

Safety decals and instruction decals are attached to this machine. Make sure that they are preserved in their entirety. If they are damaged, become dirty, or peel off, replace them with new ones.

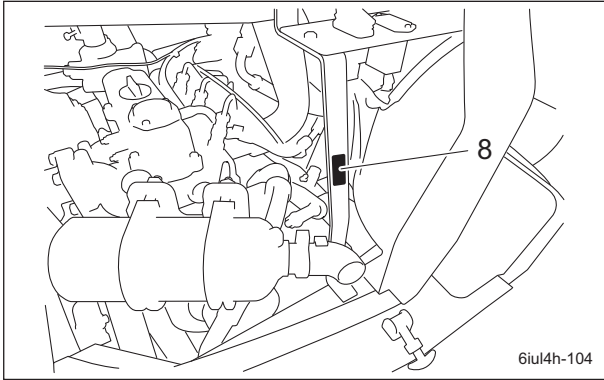
Part numbers for decals that need to be replaced are listed in the parts catalog. Order them from a Baroness dealer or Kyoeshia.



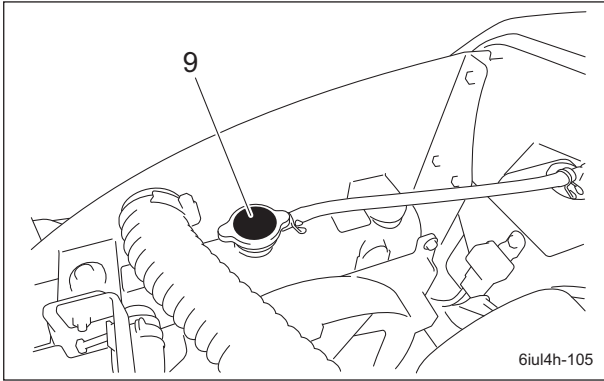
Positions of Safety Decals and Instruction Decals\_002



Positions of Safety Decals and Instruction Decals\_003



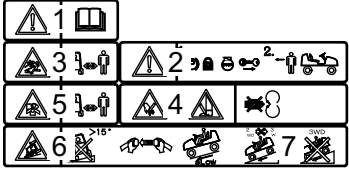
Positions of Safety Decals and Instruction Decals\_004




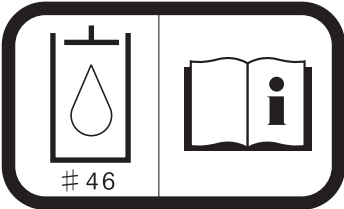


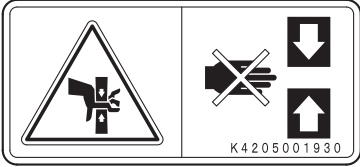
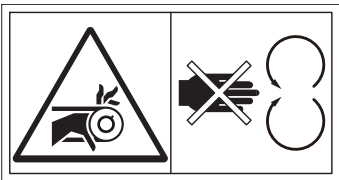
Positions of Safety Decals and Instruction Decals\_005

# Product Overview



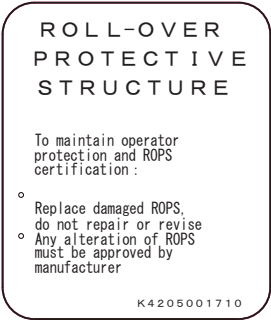
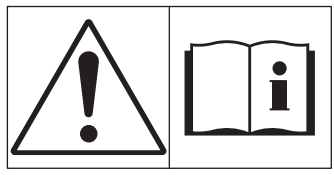

## Description of Safety Decals and Instruction Decals

1	 <p style="text-align: right;">qigqnx-125</p>	<p>LM3800-0928Z0 Left panel decal</p> <ol style="list-style-type: none"> <li> <p><b>Warning</b></p> <p>Read the Owner's Operating Manual.</p> </li> <li> <p><b>Warning</b></p> <p>Apply the parking brake, stop the engine, and then remove the ignition key before leaving the machine.</p> </li> <li> <p><b>Danger</b></p> <p>Flying objects - All persons other than the operator must keep a safe distance from the machine.</p> </li> <li> <p><b>Danger</b></p> <p>May cut your hand or leg - Keep hands and feet away from moving parts.</p> </li> <li> <p><b>Warning</b></p> <p>Be careful of exhaust emissions.</p> </li> <li> <p><b>Danger</b></p> <p>Rollover - Do not work on slopes of 15 degrees or more. When you descend a slope, drive at low speed. If the machine is equipped with ROPS, fasten your seatbelt.</p> </li> <li> <p><b>Warning</b></p> <p>Rollover - Do not switch between 2WD and 3WD while traveling on downward slopes. Do not set the reel rotation switch to the "Rotation" (reel rotation) position while traveling on downward slopes. Do not travel in three-wheel drive on downward slopes.</p> </li> </ol>
---	--	---



<p>2</p>	 <p>K4209001000 qiqqnx-021</p>	<p>K4209001000 Decal, diesel fuel filler Use diesel fuel.</p>
<p>3</p>	<p>LOW SULFUR OR ULTRA LOW SULFUR DIESEL FUEL ONLY</p> <p>K4209001330 qiqqnx-076</p>	<p>K4209001330 Decal, diesel instructions (For USA) Use low sulfur or ultra-low sulfur diesel fuel (sulfur-free diesel fuel).</p>
<p>4</p>	 <p>K4209000980 qiqqnx-020</p>	<p>K4209000980 Decal, hydraulic oil Read the Owner's Operating Manual.</p>
<p>5</p>	 <p>K4205001940 qiqqnx-041</p>	<p>K4205001940 Decal, keep away from fire</p> <p><b>⚠ Danger</b></p> <p>Keep away from fire.</p>
<p>6</p>	 <p>qiqqnx-074</p>	<p>K4205001920 Decal, caution for high temperatures</p> <p><b>⚠ Caution</b></p> <p>High temperature - Do not touch. Otherwise, you will get burned.</p>
<p>7</p>	 <p>K4205001930 qiqqnx-038</p>	<p>K4205001930 Decal, caution for pinching</p> <p><b>⚠ Caution</b></p> <p>May pinch - There is a risk of being pinched.</p>
<p>8</p>	 <p>qiqqnx-012</p>	<p>K4205001910 Decal, caution to getting entangled</p> <p><b>⚠ Danger</b></p> <p>Watch for rotating parts - Keep your hands away from the belts while the engine is running.</p>

# Product Overview

<p>9</p>	 <p>K4205001970 qigqnx-045</p>	<p>K4205001970 Decal, caution for spouting coolant</p> <p> <b>Caution</b></p> <p>Caution for spouting coolant - Do not open while hot.</p>
<p>10</p>	 <p>K4205001710 qigqnx-072</p>	<p>K4205001710 Decal, ROPS caution Replace damaged ROPS. Do not repair or modify. (Only if equipped with ROPS)</p>
<p>11</p>	 <p>K4205001560 qigqnx-017</p>	<p>K4205001560 Decal, read Owner's Operating Manual</p> <p> <b>Warning</b></p> <p>Read the Owner's Operating Manual.</p>

# Handling Instructions

<b>Inspection Before Use</b> .....	<b>Page 4-2</b>	Light Switch .....	Page 4-25
Radiator .....	Page 4-2	Throttle Lever .....	Page 4-26
Coolant .....	Page 4-3	Mower Unit Up/Down Lever .....	Page 4-26
Oil cooler .....	Page 4-4	Stop Valve .....	Page 4-27
Hydraulic Oil .....	Page 4-4	Reel Rotation Switch .....	Page 4-27
Air Cleaner .....	Page 4-5	Reel Reverse Switch .....	Page 4-27
Battery .....	Page 4-6	Reel rotation/stop switching lever .....	Page 4-28
Tire .....	Page 4-7	Traveling Pedal .....	Page 4-28
Brake .....	Page 4-7	Brake Pedal .....	Page 4-28
Belt .....	Page 4-8	Parking Brake Lever .....	Page 4-29
Wire .....	Page 4-8	Hood .....	Page 4-29
Around the Engine .....	Page 4-8	Rear Cover .....	Page 4-30
Engine Oil .....	Page 4-8	Center Cover .....	Page 4-31
Fuel .....	Page 4-9	Battery Cutoff Switch .....	Page 4-31
Water Separator .....	Page 4-10	<b>Instruments</b> .....	<b>Page 4-31</b>
Fuel filter .....	Page 4-12	Instruments in the Meter Panel .....	Page 4-31
Oil Leakage .....	Page 4-12	Water Temperature Gauge .....	Page 4-32
Grass Catcher .....	Page 4-12	Fuel Gauge .....	Page 4-32
<b>Tightening torques</b> .....	<b>Page 4-13</b>	Pilot Lamps .....	Page 4-32
Standard tightening torques .....	Page 4-13	Hour meter .....	Page 4-33
Principal tightening torques .....	Page 4-15	<b>Travel of Machine</b> .....	<b>Page 4-33</b>
<b>Adjustment Before Operating</b> .....	<b>Page 4-16</b>	Traveling Procedure .....	Page 4-33
Adjustment of Steering Wheel .....	Page 4-16	Towing the Machine .....	Page 4-34
Adjustment of Seat .....	Page 4-16	<b>Cutting Work</b> .....	<b>Page 4-35</b>
Adjustment of Mower Stopper Pin .....	Page 4-16	Cutting Work .....	Page 4-35
Adjustment of Mower Stabilizer .....	Page 4-17	Removal/Installation of Grass Catcher .....	Page 4-35
<b>Procedure to Start / Stop Engine</b> .....	<b>Page 4-18</b>	<b>Transporting</b> .....	<b>Page 4-36</b>
Start / Stop of Engine .....	Page 4-18	Transporting Procedure .....	Page 4-36
Safety Mechanisms .....	Page 4-19		
Warning Mechanisms .....	Page 4-19		
<b>Operation of Each Section</b> .....	<b>Page 4-20</b>		
Precautions for Operating the Machine .....	Page 4-20		
Cautions for when You Leave the Machine .....	Page 4-20		
Operation Decals .....	Page 4-20		
Proximity Sensor .....	Page 4-25		
2WD/3WD Selector Lever .....	Page 4-25		

# Handling Instructions

## Inspection Before Use

Be sure to perform an inspection before you start using the machine so that you will be able to take advantage of its optimum performance for a long period of time.

### Radiator

#### Inspection of Radiator

For details on handling the engine, please refer to the separate Engine Operating Manual.

1. Make sure that there is no damage to the radiator.
2. Make sure that the radiator is not contaminated.

#### Cleaning of Radiator

For details on handling the engine, please refer to the Owner's Manual for the engine.

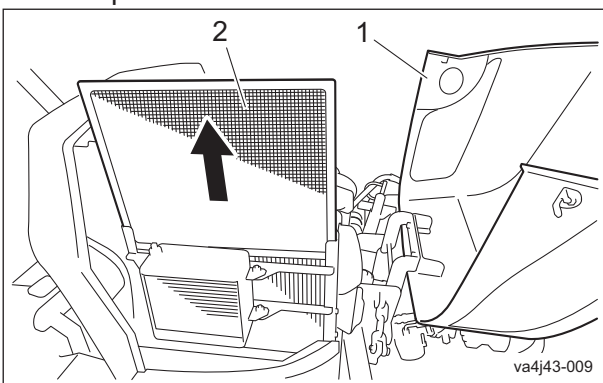
#### Important

An unclean radiator may cause the engine to overheat or seize. It may also cause malfunction of the hydraulic system.

#### Important

Do not use solid objects, such as a spatula or screwdriver, or high-pressure water to clean the radiator or oil cooler. Otherwise, special fins or tubes may be damaged, possibly resulting in reduced cooling performance or coolant leakage.

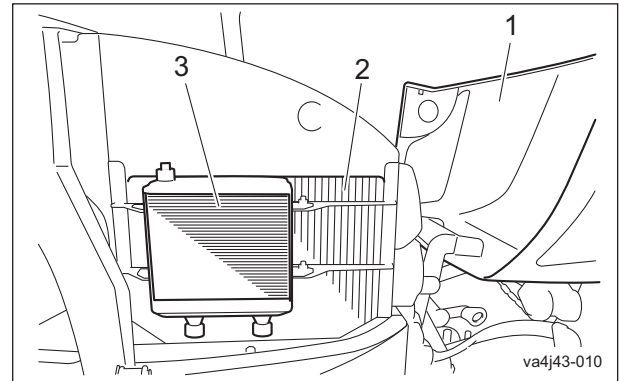
1. Open the hood.  
"Hood" (Page 4-29)
2. Pull up the dust screen to remove it.



Cleaning of Radiator\_001

1	Hood
2	Dust screen

3. Carefully clean the front and back of the dust screen and radiator with water or compressed air.



Cleaning of Radiator\_002

1	Hood
2	Radiator
3	Oil cooler

# Handling Instructions

## Coolant

### Inspection of Coolant

For details on handling the engine, please refer to the Owner's Manual for the engine.

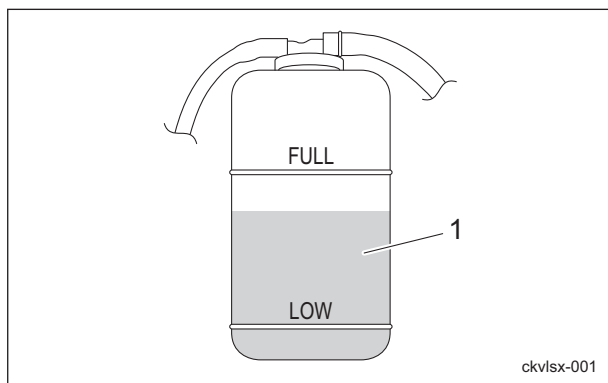
**Warning**

Do not touch the radiator or coolant during engine operation or immediately after the engine has been turned off. Otherwise, you may get burned.

**Caution**

Inspection should take place after the engine has well cooled down.

1. Make sure that the coolant level in the reserve tank is between "FULL" and "LOW."



Inspection of Coolant\_001

1	Reserve tank
---	--------------

### Coolant Supply

For details on handling the engine, please refer to the Owner's Manual for the engine.

**Warning**

Do not touch the radiator or coolant during engine operation or immediately after the engine has been turned off. Otherwise, you may get burned due to high temperatures. After the radiator has cooled down sufficiently, open the radiator cap.

**Caution**

Supply coolant after the engine has well cooled down.

**Caution**

The radiator cap is pressurized. If you remove the radiator cap while the engine is overheated, hot steam will burst out, possibly resulting in burns. Make sure that the water temperature and pressure are reduced, and then grab the cap with a thick cloth and gradually open the cap.

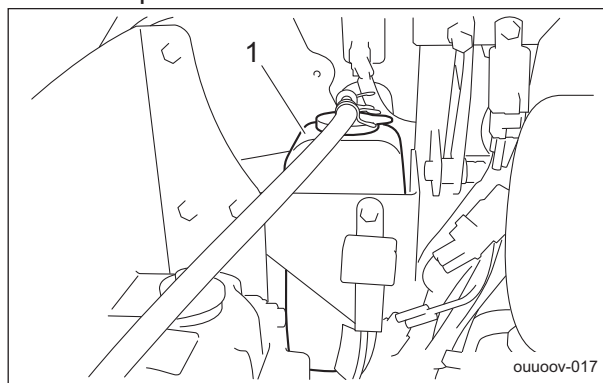
**Important**

When you supply coolant, be sure to use clean water, such as tap water. During winter, remove coolant. Alternatively, mix long-life coolant and clean water, and then pour it into the radiator and reserve tank.

Relationship between concentration of long-life coolant (LLC) and freezing temperature

Freezing temperature	LLC concentration (volume %)
Down to -10 °C (14 °F)	20%
Down to -15 °C (5 °F)	30%
Down to -20 °C (-4 °F)	35%
Down to -25 °C (-13 °F)	40%

1. If the coolant level in the reserve tank is lower than the "LOW" mark, open the reserve tank cap and fill the tank with clean water up to the "FULL" mark.



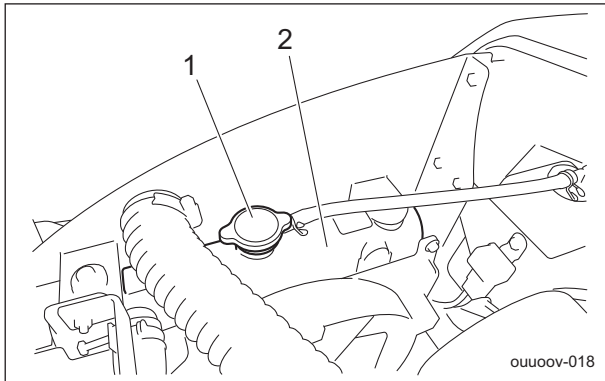
Coolant Supply\_001

1	Reserve tank
---	--------------

# Handling Instructions

2. If no coolant is in the reserve tank, follow the steps below to fill the tank with clean water.

- [1] Open the radiator cap, and then supply clean water up to the opening.
- [2] Open the reserve tank cap, and then supply clean water up to the "FULL" mark.



Coolant Supply\_002

1	Radiator cap
2	Radiator

## Oil cooler

### Inspection of Oil Cooler

1. Make sure that there is no damage to the oil cooler.
2. Make sure that the oil cooler is not contaminated.

### Cleaning of Oil Cooler

**Caution**

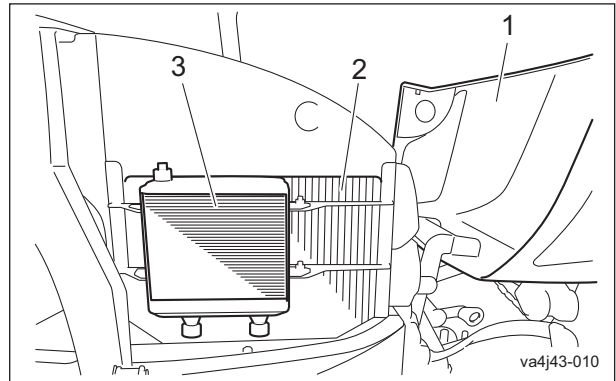
An unclean oil cooler may cause malfunction of the hydraulic system.

**Important**

Do not use solid objects, such as a spatula or screwdriver, or high-pressure water to clean the radiator or oil cooler. Otherwise, special fins or tubes may be damaged, possibly resulting in reduced cooling performance or coolant leakage.

If the oil cooler has been contaminated with dust, be sure to clean it. Especially after operating the machine in a dusty environment, it is important to remove dust as soon as possible.

1. Open the hood.  
"Hood" (Page 4-29)
2. Pull up the dust screen to remove it.



Cleaning of Oil Cooler\_001

1	Hood
2	Radiator
3	Oil cooler

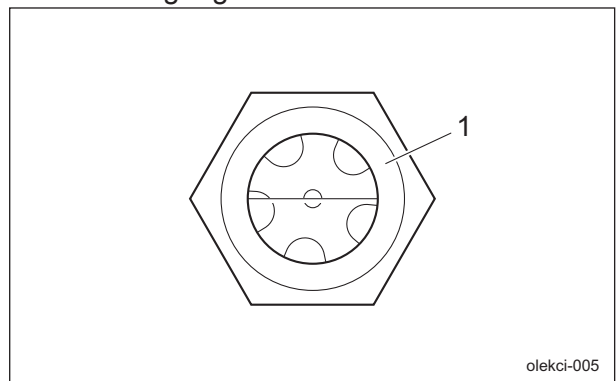
3. Carefully clean the front and back of the oil cooler with water or compressed air.

## Hydraulic Oil

### Inspection of Hydraulic Oil

The oil gauge is located on the back of the hydraulic tank.

1. Raise the mower units and maintain that position on a level surface.
2. Make sure that the oil level is at the middle of the oil gauge.



Inspection of Hydraulic Oil\_001

1	Oil gauge
---	-----------

3. Check underneath the machine for hydraulic oil leakage.

# Handling Instructions

## Hydraulic Oil Supply

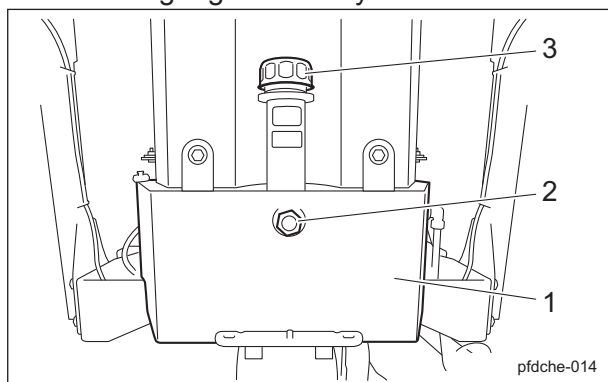
### Important

Do not mix different types of oil.

### Important

Use Shell Tellus S2M46 (or equivalent) as hydraulic oil.

1. Remove the rear cover.
2. If the hydraulic oil level is low, follow the steps below to supply oil.
  - [1] Open the tank cap, and then supply hydraulic oil through the oil filling port until the oil level reaches the middle of the oil gauge on the hydraulic tank.



Hydraulic Oil Supply\_001

1	Hydraulic tank
2	Oil gauge
3	Tank cap

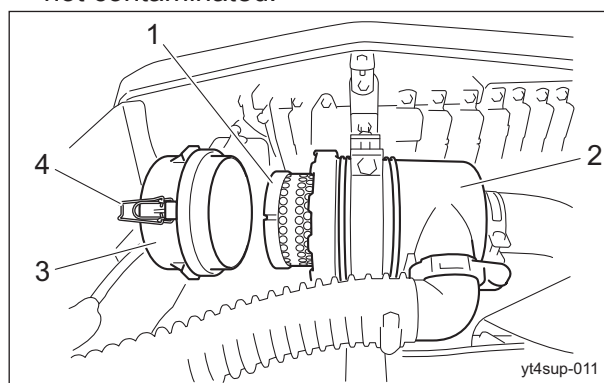
- [2] Tighten the tank cap securely.
3. Start the engine, raise and lower the mower units, and turn the steering wheel left and right. Move forward and reverse repeatedly several times.
4. Raise the mower units and maintain that position on a level surface, and then check to see if the oil level is at the middle of the oil gauge. If necessary, supply oil.
5. Check underneath the machine for hydraulic oil leakage.
6. Install the rear cover.

## Air Cleaner

### Inspection of Air Cleaner

For details on handling the engine, please refer to the Owner's Manual for the engine. The air cleaner is a component that removes dirt from the intake air to prevent wear of the cylinder liners and piston rings so that the engine will always operate smoothly. A contaminated air cleaner element may cause malfunction of the engine.

1. Make sure that there is no damage to the air cleaner.
2. Make sure that the air cleaner element is not contaminated.



Inspection of Air Cleaner\_001

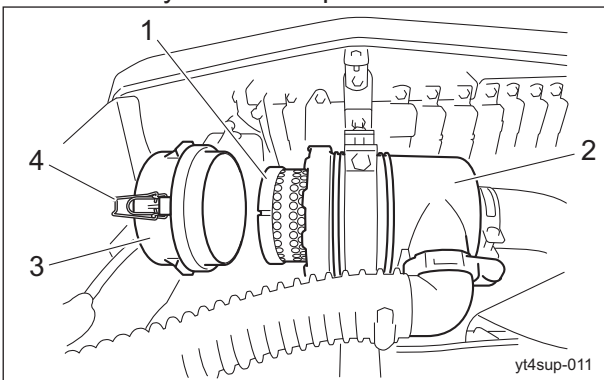
1	Air cleaner element
2	Air cleaner body
3	Air cleaner cap
4	Clip

# Handling Instructions

## Cleaning of Air Cleaner

For details on handling the engine, please refer to the Owner's Manual for the engine. A contaminated air cleaner element may cause malfunction of the engine. To maximize the life of the engine, clean the air cleaner properly.

1. Follow the steps below to clean the air cleaner.
  - [1] Unclip at two locations to remove the air cleaner cap, and then remove the air cleaner element.
  - [2] While paying close attention not to damage the air cleaner element, tap a solid portion of the air cleaner element or blow compressed air from its inside to remove dust and dirt. If the air cleaner element is extremely contaminated, replace it with a new one.
  - [3] Attach the air cleaner element to the air cleaner body.
  - [4] Attach the air cleaner cap, and then fix it securely with the clips.



Cleaning of Air Cleaner\_001

1	Air cleaner element
2	Air cleaner body
3	Air cleaner cap
4	Clip

## Battery

### Inspection of Battery

For details on handling the battery, please refer to the separate Battery Instruction Manual.

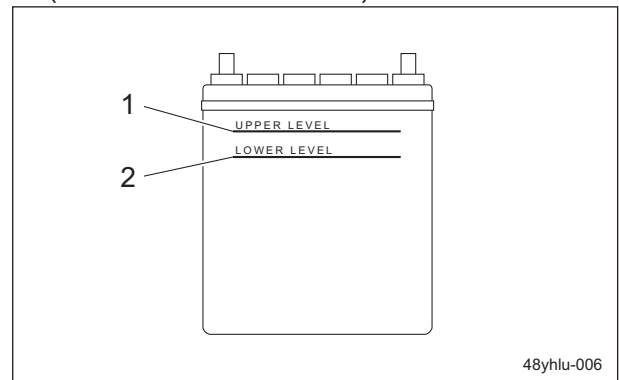
#### **⚠ Danger**

Keep fire away while inspecting or charging the battery. The battery may explode.

#### **⚠ Warning**

Do not allow the battery fluid level to become lower than the LOWER LEVEL (minimum fluid level line). The battery may explode if it is used or charged while the battery fluid level is at the LOWER LEVEL (minimum fluid level line).

1. Clean the areas around the battery fluid level lines using a cloth dampened with water.
2. Make sure that the battery fluid level is between the UPPER LEVEL (maximum fluid level line) and the LOWER LEVEL (minimum fluid level line).



Inspection of Battery\_001

1	UPPER LEVEL
2	LOWER LEVEL



# Handling Instructions

## Supply of Battery Fluid

For details on handling the battery, please refer to the Battery's Owner's Manual.

### **Danger**

Be careful not to let your skin, eyes or clothes, etc., come into contact with the battery fluid or accidentally swallow the fluid. Should your skin or clothes come into contact with the battery fluid, immediately wash them away with water.

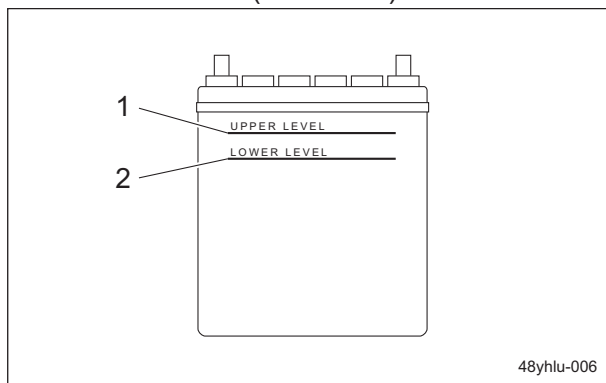
### **Warning**

When you supply battery fluid, wear protective garments and safety glasses, etc.

### **Caution**

Implement after the engine and muffler etc. have well cooled down. Otherwise you may get burned.

1. If the battery fluid level is lower than halfway between the UPPER LEVEL (maximum) line and LOWER LEVEL (minimum) line, add purified water up to the UPPER LEVEL (maximum) line.



Supply of Battery Fluid\_001

1	UPPER LEVEL
2	LOWER LEVEL

	Tire size	Pneumatic pressure
Front wheel	20 x 10.00 - 10	140 kPa (1.4 kgf/cm <sup>2</sup> )
Rear wheel	20 x 8.00 - 10	140 kPa (1.4 kgf/cm <sup>2</sup> )

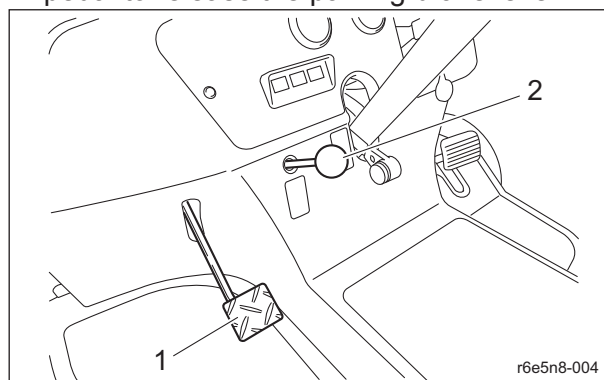
## Brake

### Inspection of Brake

While traveling, depress the brake pedal firmly to make sure that the brake is applied effectively.

### Inspection of Parking Brake

1. Depress the brake pedal and pull the parking brake lever to check that the parking brake is applied effectively.
2. Make sure that the brake is not applied even slightly after you depress the brake pedal to release the parking brake lever.



Inspection of Parking Brake 001

1	Brake pedal
2	Parking brake lever

## Tire

### Inspection of Tires

1. Check the pneumatic pressure of the tires.
2. Make sure that there are no cracks, damage or abnormal wear.

# Handling Instructions

## Belt

### Inspection of Belt

**Caution**

The engine must be stopped when the belt is inspected.

**Caution**

If you have removed the cover during inspection, make sure that you replace it in the original position securely. If the cover remains removed, the operator may come in contact with the rotating objects or belt, possibly resulting in injuries.

**Important**

A slacking or damaged belt or damaged fan may cause overheating or lack of a battery charge.

1. Press the middle of the belt with your finger to check the belt tension.
2. Make sure that there are no cracks, damage or abnormal wear.

## Wire

### Inspection of Wire

1. Make sure that the wire is not cracked or damaged.
2. If the wire is cracked or damaged, replace it with a new one immediately.

## Around the Engine

### Inspection of Engine-Associated Parts

For details on handling the engine, please refer to the Engine's Owner's Manual.

1. Check the fuel system parts for loosened or cracked joints and leakage. Replace the parts if necessary.
2. Blow compressed air to clean any grass or flammable materials that may be attached on or around the muffler.

## Engine Oil

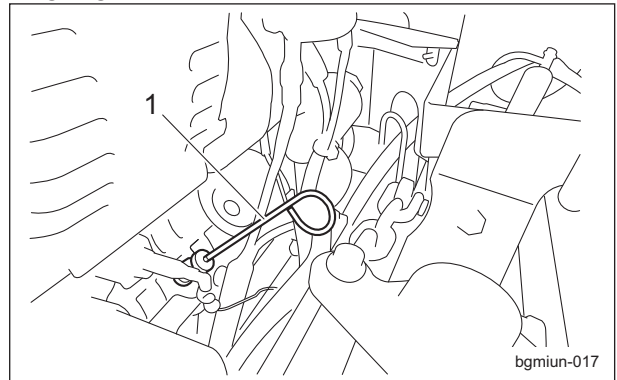
### Inspection of Engine Oil

For details on handling the engine, please refer to the Owner's Manual for the engine.

**Important**

Securely tighten the oil level gauge and oil filler cap.

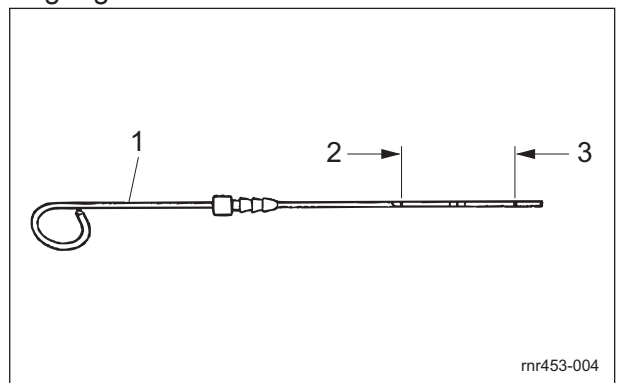
1. Stop the engine, wait for 10 to 20 minutes for the engine to cool down, and then check the oil level.
2. Position the machine so that the engine is level, and then fully insert the oil level gauge to check the oil level.



Inspection of Engine Oil\_001

1	Oil level gauge
---	-----------------

3. The appropriate oil level should be between the upper and lower limit lines on the gauge.



Inspection of Engine Oil\_002

1	Oil level gauge
2	Upper limit
3	Lower limit

# Handling Instructions

## Supply of Engine Oil

For details on handling the engine, please refer to the Owner's Manual for the engine.

### Important

Do not supply too much engine oil. Otherwise, the engine may be damaged.

### Important

Do not mix different types of engine oil.

### Important

Be sure to use engine oil that is classified as API Service Grade CF or higher, with an SAE Viscosity that is appropriate for the operating environment (ambient temperature).

### Important

Securely tighten the oil level gauge and oil filler cap.

1. Engine oil is supplied through the oil filler cap.  
Remove the oil filler cap, and then supply new engine oil until the oil reaches a level in between the upper and lower limit lines on the oil level gauge.

2. Securely install the oil filler cap.



Supply of Engine Oil\_001

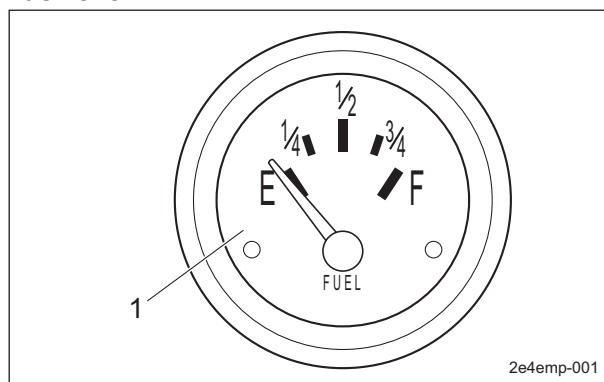
1 Oil filler cap

3. It will take a while for the supplied engine oil to descend into the oil pan.  
Check the oil level again 10 to 20 minutes after supplying the oil.

## Fuel

### Inspection of Fuel Quantity

With the machine on a level surface, observe the fuel gauge in the meter panel to check the fuel level.



Inspection of Fuel Quantity\_001

1 Fuel gauge

### Supply of Fuel

#### **⚠ Danger**

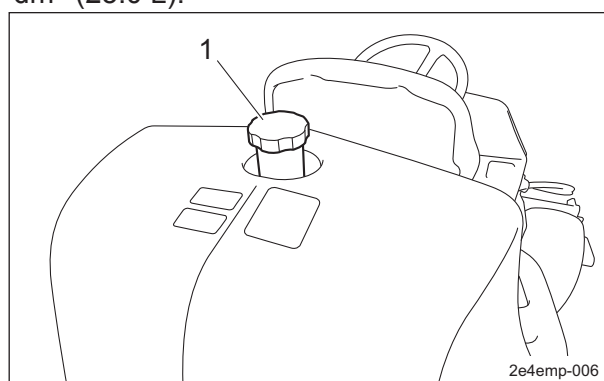
Do not supply fuel above F (FULL) level of the fuel gauge.

If you supply too much fuel, it might overflow from the cap when you travel or work on a slope.

#### **⚠ Warning**

Keep away from fire while refueling.  
Do not smoke while refueling.

If the fuel gauge in the meter panel indicates a level close to E (EMPTY), supply fuel (diesel) at your earliest convenience. The fuel tank capacity is approximately 25.0 dm<sup>3</sup> (25.0 L).



Supply of Fuel\_001

# Handling Instructions

1	Tank cap
---	----------

## Water Separator

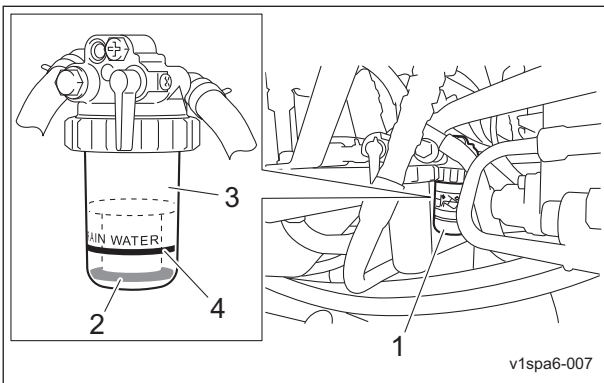
### Inspection of Water Separator

**Important**

Water-contaminated fuel may impair engine startability, decrease output or damage engine parts.

The water separator removes water from the fuel.

1. Make sure that debris and water have not accumulated in the cup.  
With the float raised, water contamination is confirmed.  
When the float reaches the drain level, drain the water.



Inspection of Water Separator\_001

1	Water Separator
2	Float
3	Cup
4	Drain level

### Draining of Water Separator

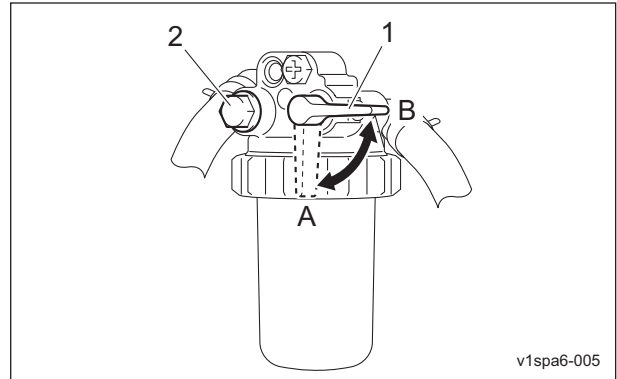
**Important**

Water-contaminated fuel may impair engine startability, decrease output or damage engine parts.

Drain the water at least every 50 hours and whenever the float is raised by water.

1. Stop the engine, and then turn the key switch to the "OFF" position.
2. Place a container under the water separator.
3. Close the fuel cock of the fuel filter.

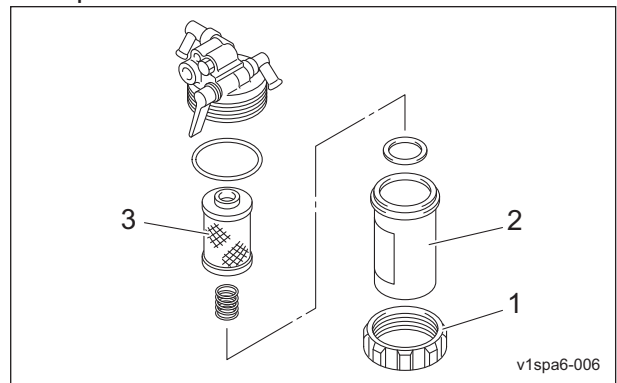
### 4. Close the fuel cock of the water separator.



Draining of Water Separator\_001

1	Fuel cock
2	Air-bleeding plug
A	ON (open)
B	OFF (close)

### 5. Remove the ring nut, and then remove the cup.



Draining of Water Separator\_002

1	Ring nut
2	Cup
3	Element

### 6. Drain the water from the cup.

**Important**

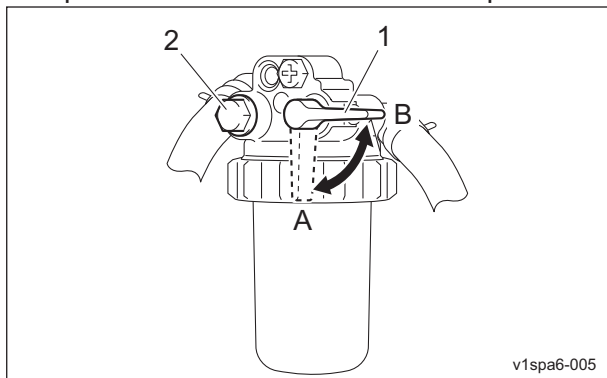
During installation, prevent contamination with dirt or dust.

If the fuel is contaminated with dirt or dust etc., the fuel injection pump and injection nozzle will become worn.

7. Correctly install all parts in their original positions.
8. Fill up the fuel tank with fuel, and then open the fuel cock of the fuel filter.

# Handling Instructions

9. Open the fuel cock of the water separator.



Draining of Water Separator\_003

1	Fuel cock
2	Air-bleeding plug
A	ON (open)
B	OFF (close)

10. Loosen the air-bleed plug to bleed the air.
11. When the cup is filled with fuel, close the air-bleed plug.
12. If the engine does not start within 15 seconds after switching the ignition key to the "START" position, wait at least 30 seconds, and then repeat the same operation.  
If there is still air in the cup after starting the engine, bleed the air again.

## Cleaning of Water Separator

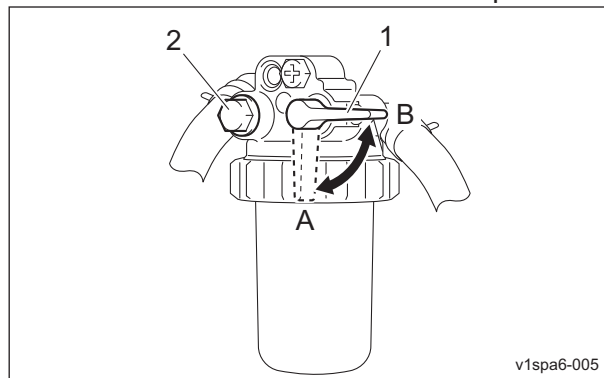
### Important

Water-contaminated fuel may impair engine startability, decrease output or damage engine parts.

Clean the water separator at least every 450 hours and whenever debris has accumulated in the cup.

1. Stop the engine, and then turn the key switch to the "OFF" position.
2. Place a container under the water separator.
3. Close the fuel cock of the fuel filter.

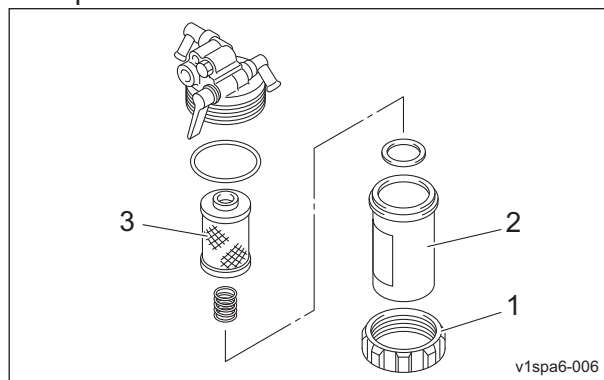
4. Close the fuel cock of the water separator.



Cleaning of Water Separator\_001

1	Fuel cock
2	Air-bleeding plug
A	ON (open)
B	OFF (close)

5. Remove the ring nut, and then remove the cup.



Cleaning of Water Separator\_002

1	Ring nut
2	Cup
3	Element

6. Drain the water from the cup.

7. Clean the cup and element with diesel fuel.

### Important

During installation, prevent contamination with dirt or dust.

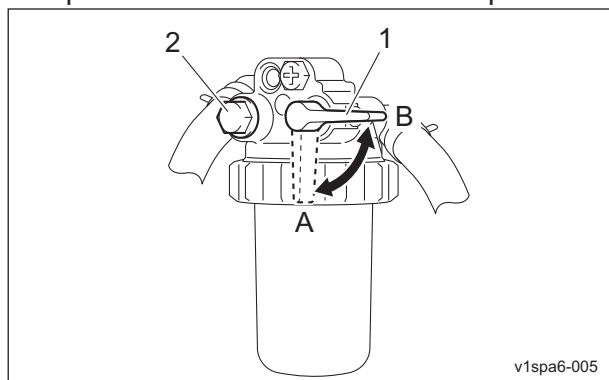
If the fuel is contaminated with dirt or dust etc., the fuel injection pump and injection nozzle will become worn.

8. Correctly install all parts in their original positions.

9. Fill up the fuel tank with fuel, and then open the fuel cock of the fuel filter.

# Handling Instructions

10. Open the fuel cock of the water separator.



Cleaning of Water Separator\_003

1	Fuel cock
2	Air-bleeding plug
A	ON (open)
B	OFF (close)

11. Loosen the air-bleed plug to bleed the air.

12. When the cup is filled with fuel, close the air-bleed plug.

13. If the engine does not start within 15 seconds after switching the ignition key to the "START" position, wait at least 30 seconds, and then repeat the same operation.

If there is still air in the cup after starting the engine, bleed the air again.

## Fuel filter

### Inspection of Fuel Filter

For details on handling the engine, please refer to the Engine's Owner's Manual.

The fuel filter is located in the piping for fuel supply system and removes contamination.

1. Make sure that there is no fuel leakage.
2. Make sure that the fuel filter is not damaged or dirty.

## Oil Leakage

### Inspection of Oil Leakage

#### Caution

When performing maintenance on the hydraulic system, lower the mower units.

After approximately 50 hours of operation, some tightened portions may be loosened and oil and grease may leak.

Be sure to retighten the parts.

Check the bottom of the machine for oil and grease leakage.

## Grass Catcher

### Inspection of Grass Catcher

The grass catcher may no longer correctly collect grass clippings due to its wear, damage, deformation, etc., caused by frequent use.

1. Make sure that there is no wear or deterioration of the grass catcher.
2. Make sure that there is no damage to the grass catcher.
3. Make sure that there is no interference to moving parts due to deformation of the grass catcher.

## Tightening torques

### Standard tightening torques

#### Bolts and Nuts

##### Important

A number of bolts are used in each part of this machine.  
Be sure to re-tighten the bolts and nuts, because they may be loosened at the earlier stage of the use.

As to the bolts and nuts without any special instruction, tighten them in appropriate tightening torque with proper tool.

Too much tightening may cause the looseness or damage of the screw.

The strength of tightening is determined by types of screws, strength, the friction of thread face or base face and others.

The table below is for the galvanized or parkerized bolts.

In case that the strength of internal thread is weak, it is not applied.

Do not use rusty or sand attached "screw."

Otherwise, it may cause insufficient tightening even if you apply the specified tightening torque.

The friction of the screw face becomes higher and the tightening torque is canceled out by the friction, therefore sufficient tightening cannot be applied.

If "screw" is wet by water or oil, do not tighten it with normal tightening torque.


If the screw is wet, the torque coefficient will get smaller and it may result in too much tightening.

Too much tightening may cause looseness by the screw stretched or result in damage.



Do not use a bolt experienced too much burden.

Using the impact wrench requires the skill.

Do exercise as much as possible for steady tightening.

Nominal diameter	General bolt		
	Strength classification 4.8		
			
	N-m	kgf-cm	lb-in
M5	3 - 5	30.59 - 50.99	26.55 - 44.26
M6	7 - 9	71.38 - 91.77	61.96 - 79.66
M8	14 - 19	142.76 - 193.74	123.91 - 168.17
M10	29 - 38	295.71 - 387.49	256.68 - 336.34
M12	52 - 67	530.24 - 683.20	460.25 - 593.02
M14	70 - 94	713.79 - 958.52	619.57 - 831.99
M16	88 - 112	897.34 - 1142.06	778.89 - 991.31
M18	116 - 144	1,182.85 - 1,468.37	1,026.72 - 1,274.54
M20	147 - 183	1,498.96 - 1,866.05	1,301.10 - 1,619.73
M22	295	3,008.12	2,611.05
M24	370	3,772.89	3,274.87
M27	550	5,608.35	4,868.05
M30	740	7,545.78	6,549.74

# Handling Instructions

Nominal diameter	Heat-treated bolt					
	Strength classification 8.8			Strength classification 10.9		
	 tib3yb-002			 tib3yb-003		
	N-m	kgf-cm	lb-in	N-m	kgf-cm	lb-in
M5	5 - 7	50.99 - 71.38	44.26 - 61.96	7 - 10	71.38 - 101.97	61.96 - 88.51
M6	8 - 11	81.58 - 112.17	70.81 - 97.36	14 - 18	142.76 - 183.55	123.91 - 159.32
M8	23 - 29	234.53 - 295.71	203.57 - 256.68	28 - 38	285.52 - 387.49	247.83 - 336.34
M10	45 - 57	458.87 - 581.23	398.30 - 504.51	58 - 76	591.43 - 774.97	513.36 - 672.68
M12	67 - 85	683.20 - 866.75	593.02 - 752.34	104 - 134	1,060.49 - 1,366.40	920.50 - 1186.03
M14	106 - 134	1,080.88 - 1,366.40	938.21 - 1,186.03	140 - 188	1,427.58 - 1,917.04	1,239.14 - 1,663.99
M16	152 - 188	1,549.94 - 1,917.04	1,345.35 - 1,663.99	210 - 260	2,141.37 - 2,651.22	1,858.71 - 2,301.26
M18	200 - 240	2,039.40 - 2,447.28	1,770.20 - 2,124.24	280 - 340	2,855.16 - 3,466.98	2,478.28 - 3,009.34
M20	245 - 295	2,498.27 - 3,008.12	2,168.50 - 2,611.05	370 - 450	3,772.89 - 4,588.65	3,274.87 - 3,982.95
M22	-	-	-	530	5,404.41	4,691.03
M24	-	-	-	670	6,831.99	5,930.17
M27	-	-	-	1,000	10,197.00	8,851.00
M30	-	-	-	1,340	14,628.78	11,860.34

**Note:**

The same values are applied to "fine screw thread."



# Handling Instructions

## Principal tightening torques

### Tightening Torque by Model

LM331

Tighten the following bolts and nuts at the torque specified in the table.

For thread locking adhesive, apply a middle strength thread locker (ThreeBond 1322 or equivalent anaerobic sealant).

Location		Code	Part name	Tightening torque			Thread locking adhesive
				N-m	kgf-cm	lb-in	
Front wheel	Wheel mounting base	K0160000492	NUT, SPECIAL P1.5 M24	180 - 200	1835.46 - 2039.40	1593.18 - 1770.20	○
	Wheel	K0011120302	BOLT, HT P1.5 M12-30	67 - 85	683.20 - 866.75	593.02 - 752.34	-
Brake pedal		K0010080252	BOLT, HT M8-25	23 - 38	234.53 - 387.49	203.57 - 336.34	-
Rear wheel	Wheel mounting base	K0138240002	NUT, HIGH SLOTTED P1.5 M24	180 - 200	1835.46 - 2039.40	1593.18 - 1770.20	-
	Wheel	K0011120302	BOLT, HT P1.5 M12-30	67 - 85	683.20 - 866.75	593.02 - 752.34	-
Steering shaft housing		K0010100402	BOLT, HT M10-40	45 - 76	458.87 - 774.97	398.30 - 672.68	-
Steering shaft lid		K0010100252	BOLT, HT M10-25	45 - 76	458.87 - 774.97	398.30 - 672.68	-
Engine base		K0017100252	BOLT, SMALL HT P1.25 M10-25	45 - 57	458.87 - 581.23	398.30 - 504.51	-
		K4043000010	RUBBER, ANTI VIBRATION 1340	-	-	-	○
Pump bracket		K0010080302	BOLT, HT M8-30	23 - 38	234.53 - 387.49	203.57 - 336.34	-
Engine pulley		K0010080202	BOLT, HT M8-20	23 - 38	234.53 - 387.49	203.57 - 336.34	-
Hydraulic pump		K0010120502	BOLT, HT M12-50	67 - 134	683.20 - 1366.40	593.02 - 1186.03	-
Steering cylinder		LM331--0722Z2	BOLT, STEPPED M12	-	-	-	○
		K0000080202	BOLT, M8-20	-	-	-	○
ROPS		K0010120402	BOLT, HT M12-40	67 - 134	683.20 - 1366.40	593.02 - 1186.03	-

# Handling Instructions

## Adjustment Before Operating

### Adjustment of Steering Wheel

#### Warning

Do not make adjustments while traveling since doing so is dangerous.

#### Caution

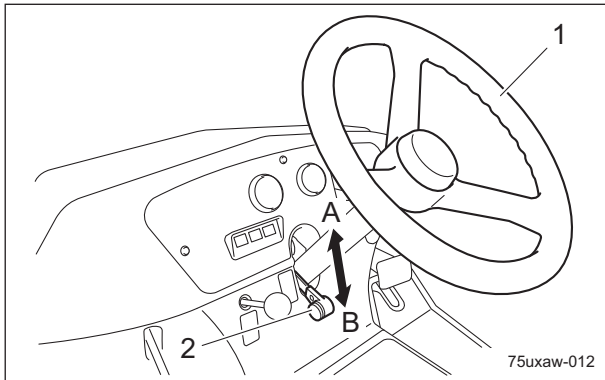
Be sure the steering wheel position is securely locked. It would be extremely dangerous if it becomes loose while traveling.

The steering wheel can be adjusted up or down.

Adjust the position to fit the operator.

Shift the tilt lever to the "FREE" position, move the steering wheel to the position that suits the work requirements, and then shift the tilt lever to the "LOCK" position to secure the steering wheel in place.

The tilt lever is located at the left in front of the driver's seat.



Adjustment of Steering Wheel\_001

1	Steering wheel
2	Tilt lever
A	FREE (released)
B	LOCK (locked)

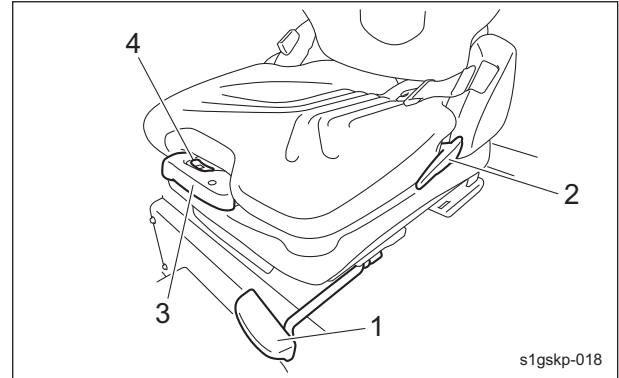
### Adjustment of Seat

Use the seat adjustment levers to adjust the seat.

Adjust the position to fit the operator.

1. Use the forward/backward adjustment lever to adjust the seat back and forth.
2. Use the backrest tilt adjustment lever to adjust the angle of the backrest.

3. Pull out the suspension adjustment handle and move it up or down to adjust the firmness of the seat suspension. Observe the suspension adjustment scale while making adjustments. (50 - 160 kg)



Adjustment of Seat\_001

1	Forward/backward adjustment lever
2	Angle adjustment lever
3	Suspension adjustment handle
4	Suspension adjustment scale

### Adjustment of Mower Stopper Pin

Note:

Depending on the specifications, this function may not be available.

The mower stopper pin can prevent or allow tilting of the mower units.

Adjust according to the operating conditions.

Fixed:

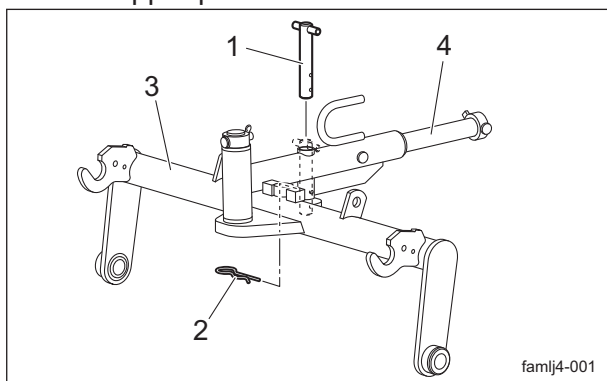
- The mowing line while traveling straight ahead is a straight line. (The mowing line is easy to see.)
- The mower units do not tilt while operating on slopes, and incomplete mowing can be reduced.

Released:

- It is appropriate when turning while mowing or it is easy to follow undulations.
1. With the machine on a level surface, lower all mower units.
  2. Apply the parking brake, and then stop the engine.
  3. Adjust the position of the mower stopper pin, and then insert the cotter pin.

# Handling Instructions

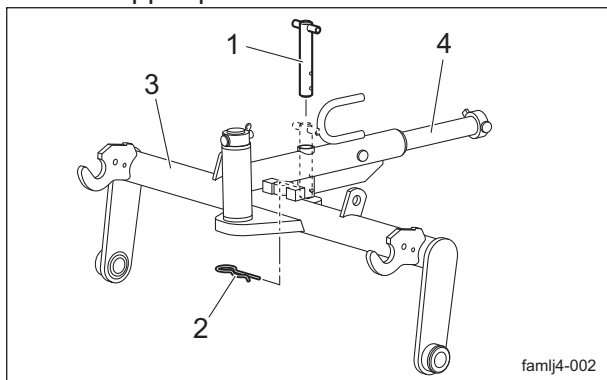
To fix:  
Insert the cotter pin into the upper hole in the mower stopper pin.



Adjustment of Mower Stopper Pin\_001

1	Mower stopper pin
2	Cotter pin
3	Mower arm
4	Mower coupling

To release:  
Insert the cotter pin into the lower hole in the mower stopper pin.

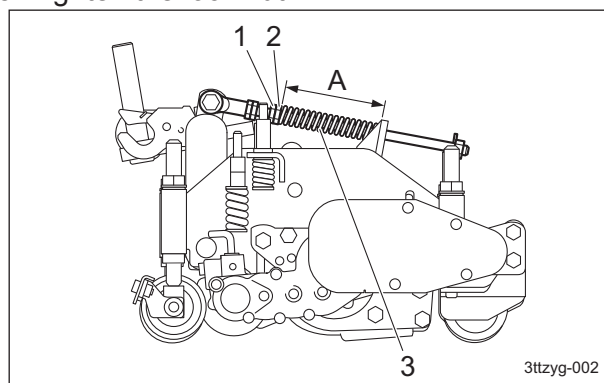


Adjustment of Mower Stopper Pin\_002

1	Mower stopper pin
2	Cotter pin
3	Mower arm
4	Mower coupling

When mowing on a markedly uneven surface, shorten (compress) the spring.

1. Lower all mower units on a level place.
2. Apply the parking brake, and then stop the engine.
3. Loosen the lock nut.
4. Tighten the nut to adjust the length of the spring (compression).
  - Mower #2 and #3: 140.0 mm (5.51 in)
  - Mower #1: 60.0 mm (2.36 in)
5. Tighten the lock nut.



Adjustment of Mower Stabilizer\_001

1	Lock nut
2	Nut
3	Spring
A	Mower #2 and #3: 140.0 mm (5.51 in) Mower #1: 60.0 mm (2.36 in)

## Adjustment of Mower Stabilizer

Note:  
Depending on the specifications, this function may not be available.

### Important

After adjusting the cutting height, adjust the mower stabilizer.

The mower stabilizer stabilizes the mower units and prevents an undulating finish (a phenomenon called Marcelling).

# Handling Instructions

## Procedure to Start / Stop Engine

### Start / Stop of Engine

#### Procedure to Start Engine

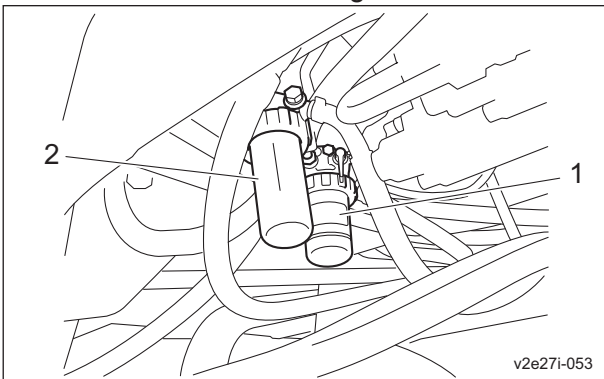
**Warning**

Before starting the engine, make sure that there are no other people or obstacles around the machine.

**Caution**

Starter operation must take 15 seconds or less.  
If the engine still does not start, stop using the battery for 30 to 60 seconds to avoid exhausting the battery.

1. Open the fuel cock of the water separator.
  2. Open the fuel filter cock.
- Note:  
The water separator and fuel filter are located under the rear right of the seat.



Procedure to Start Engine\_001

1	Water Separator
2	Fuel filter

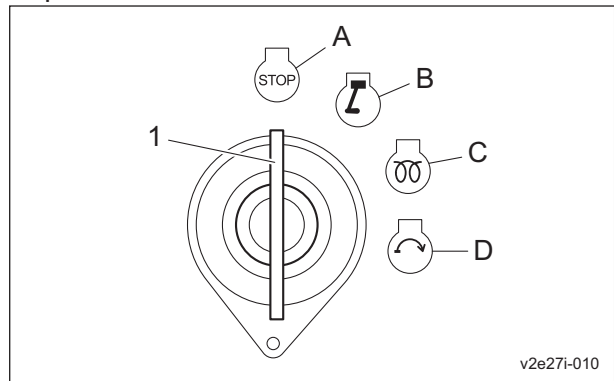
3. Sit on the seat.
4. Make sure that you have depressed the brake pedal and applied the parking brake.
5. Set the reel rotation switch to the "Stop" position.
6. Move the mower unit up/down lever to the neutral position.
7. Make sure that the traveling pedal is in the neutral position.

8. Shift the throttle lever from the turtle icon (low speed) halfway to the rabbit icon (high speed).

**Important**

The thermo-start lamp turns off at the specified time. However, the lamp turning off is not related to the glow plug generating heat. If the ignition key is left in the "GLOW" position after the lamp is turned off, the plug will still generate heat. The thermo-start lamp will stay illuminated for five seconds.

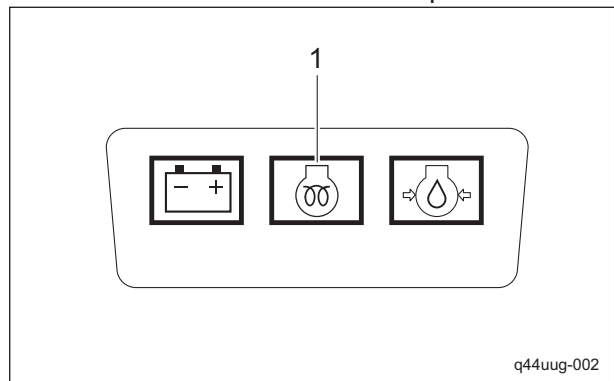
9. Switch the ignition key to the "GLOW" position.



Procedure to Start Engine\_002

1	Ignition key
A	OFF
B	ON
C	GLOW
D	START

10. Make sure that the glow plug is generating heat and the thermo-start lamp is turned on.



Procedure to Start Engine\_003

1	Thermo-start lamp
---	-------------------

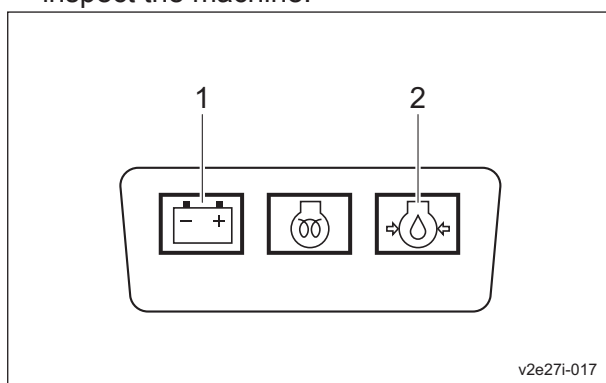
# Handling Instructions

- After the thermo-start lamp turns off, immediately set the ignition key to the "START" position.

## ⚠ Caution

Quickly returning the ignition key from the "START" position to the "ON" position may result in damage to the device.

- When the starter starts rotating and the engine starts, slowly return the ignition key to the "ON" position.
- Make sure that the charge lamp and oil pressure lamp turn off. If they do not turn off, stop the engine and inspect the machine.



Procedure to Start Engine\_004

1	Charge lamp
2	Oil pressure lamp

- Shift the throttle lever to the turtle icon (low speed), and then warm up the engine for 1-2 minutes.
- Gradually move the throttle lever to the rabbit icon (high speed).

## Procedure to Stop Engine

- Set the traveling pedal to the neutral position.
- Depress the brake pedal, and then apply the parking brake lever.
- Set the reel rotation switch to the "Stop" position.
- Shift the throttle lever toward the turtle icon (low speed), and then let the engine idle for 1 to 2 minutes.
- Switch the ignition key to the "OFF" position.
- Make sure that the engine has stopped.
- Remove the ignition key.
- Leave the driver's seat.

- Close the fuel cock of the fuel filter.
- Close the fuel cock of the water separator.

## Safety Mechanisms

This machine features a safety device for starting/stopping the engine.

- As for starting the engine, the safety device prevents the engine from starting unless it meets each of the following four conditions.
  - An operator is sitting on the seat.
  - The parking brake is applied.
  - The reel rotation switch is set to the "Stop" position.
  - The traveling pedal is set to the neutral position.
- In the event the operator leaves the seat with the parking brake applied and the engine running, the safety device will be activated and will stop the engine under any of the following conditions:
  - The traveling pedal is not set to the neutral position. (The operator has depressed the traveling pedal.)
  - The reel rotation switch is set to the "Rotate" position.

## Warning Mechanisms

This machine features a warning mechanism for overheating.

- If water temperature inside the engine exceeds 105 degrees Celsius, a buzzer will sound. (intermittent tone)

# Handling Instructions

## Operation of Each Section

### Precautions for Operating the Machine

**Caution**

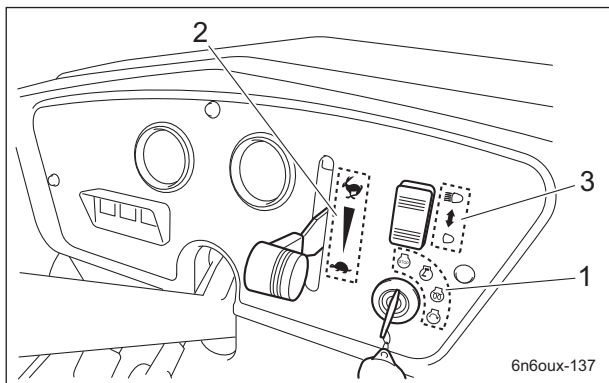
Under any circumstances drive the machine at such a speed that you can stop it immediately for emergencies.

### Cautions for when You Leave the Machine

**Caution**

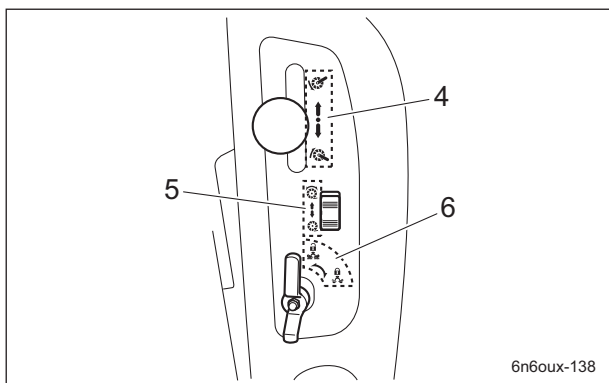
If the brakes are not sufficiently effective, use the wheel stoppers to secure the machine.

### Operation Decals



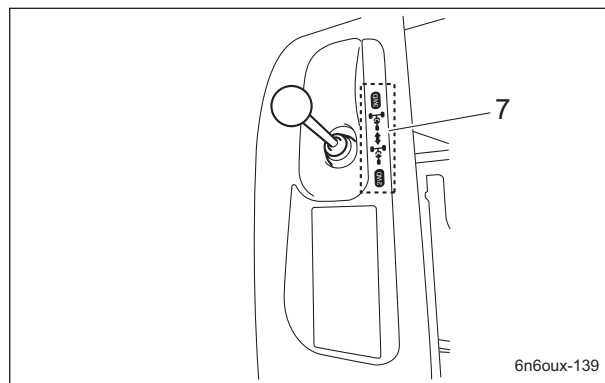
Operation Decals\_001

1	Decal, key switch
2	Decal, engine rotation
3	Decal, light switch



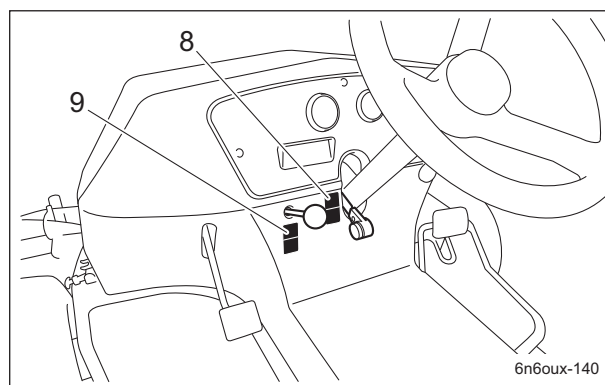
Operation Decals\_002

4	Decal, mower unit up/down lever
5	Decal, reel rotation switch
6	Decal, stop valve operation



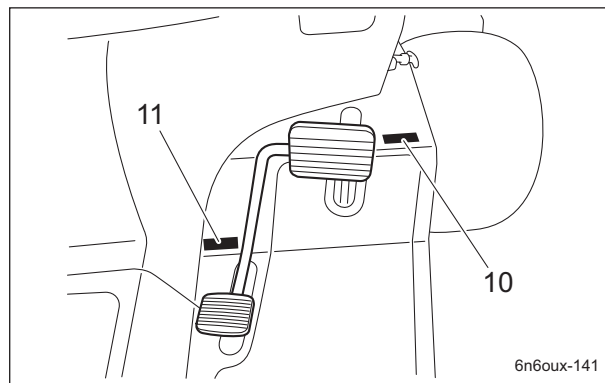
Operation Decals\_003

7	Decal, 2WD/3WD selector lever
---	-------------------------------



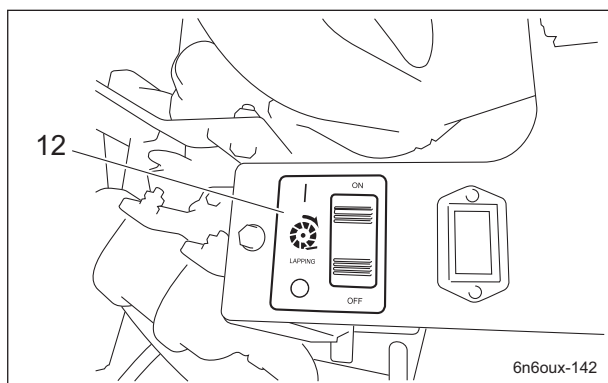
Operation Decals\_004

8	Decal, tilt steering
9	Decal, parking brake



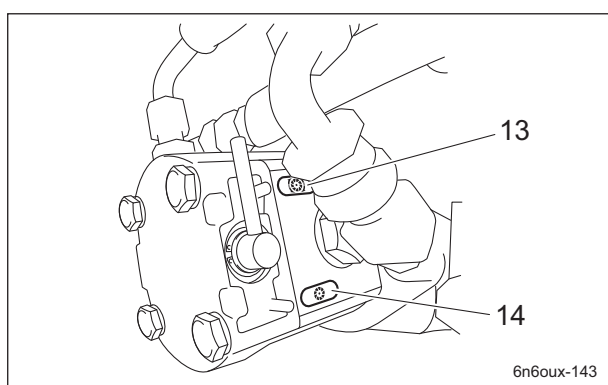
Operation Decals\_005

10	Decal, FORWARD
11	Decal, BACKWARD



Operation Decals\_006

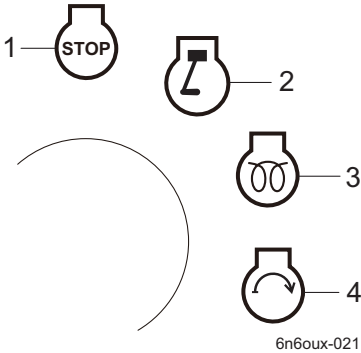
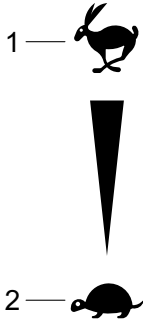
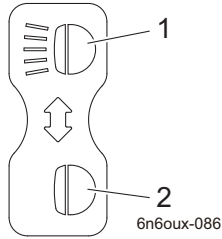

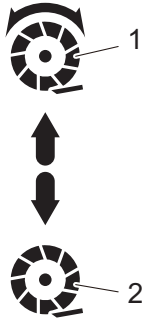
12	Decal, lapping switch
----	-----------------------



Operation Decals\_007

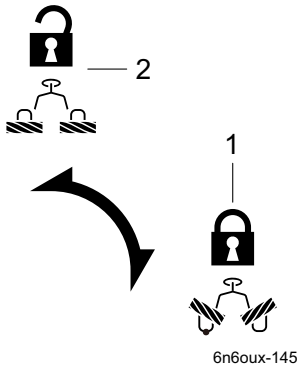
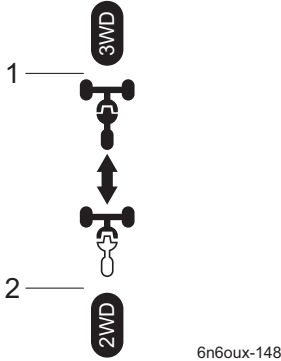
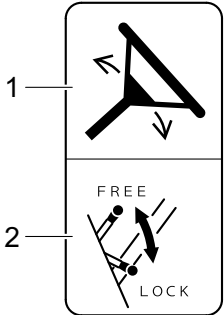
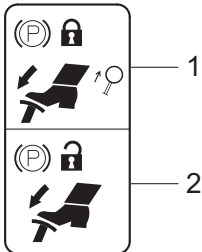
13	Decal, reel rotation
14	Decal, reel stop

# Handling Instructions

<p>1</p>	<p>Decal, key switch This indicates the key switch positions. 1. OFF 2. ON 3. GLOW 4. START</p>	 <p>6n6oux-021</p>
<p>2</p>	<p>Decal, engine rotation This indicates the low/high speed of engine rotation. 1. High speed 2. Low speed</p>	 <p>6n6oux-144</p>
<p>3</p>	<p>Decal, light switch Note: Depending on the specifications, this function may not be available. This indicates the light switch positions. 1. ON 2. OFF</p>	 <p>6n6oux-086</p>
<p>4</p>	<p>Decal, mower unit up/down lever This indicates the Up/Down positions of the mower unit. 1. Down 2. Up</p>	 <p>6n6oux-041</p>
<p>5</p>	<p>Decal, reel rotation switch It illustrates Rotation/Stop of the reel cutter (cutting cylinder). 1. Rotation 2. Stop</p>	 <p>6n6oux-042</p>



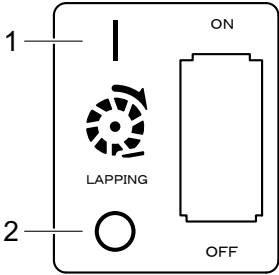
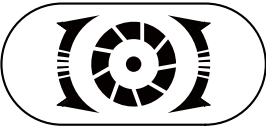



# Handling Instructions

<p>6</p>	<p>Decal, stop valve operation It illustrates Stop/Open of the stop valve. 1. Stop 2. Open</p>	 <p>6n6oux-145</p>
<p>7</p>	<p>Decal, 2WD/3WD selector lever This indicates the 2WD/3WD positions. 1. 3WD 2. 2WD</p>	 <p>6n6oux-148</p>
<p>8</p>	<p>K4203001500 Decal, tilt steering This illustrates the tilt directions of the steering wheel and the locked/free positions.</p>	 <p>6n6oux-146</p>
<p>9</p>	<p>K4203001340 Decal, parking brake This shows how to lock and release the parking brake. 1. Lock 2. Release</p>	 <p>6n6oux-013</p>

Handling Instructions

# Handling Instructions

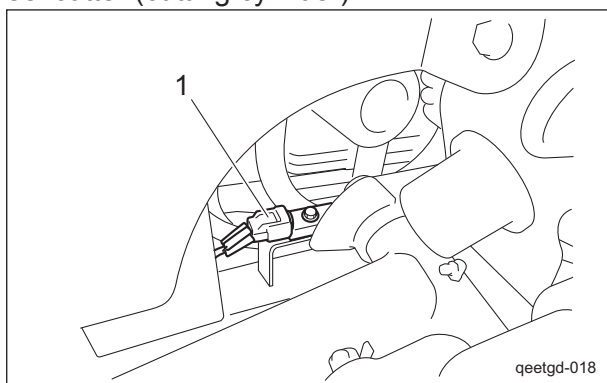
10	<p>K4203001430 Decal, FORWARD This indicates forward travel.</p>	 <p>6n6oux-128</p>
11	<p>K4203001440 Decal, BACKWARD This indicates backward travel.</p>	 <p>6n6oux-129</p>
12	<p>LM3800-0556Z0 Decal, lapping switch This indicates the ON/OFF positions for back lapping. 1. ON (back lapping rotation) 2. OFF (mowing rotation)</p>	 <p>6n6oux-147</p>
13	<p>K4203001300 Decal, reel rotation This indicates the Rotate position for the reel cutter (cutting cylinder).</p>	 <p>6n6oux-130</p>
14	<p>K4203001310 Decal, reel stop This indicates the Stop position for the reel cutter (cutting cylinder).</p>	 <p>6n6oux-131</p>

# Handling Instructions

## Proximity Sensor

There is a proximity sensor on #2 mower arm fulcrum.

This sensor detects the raised or lowered positions of mower unit #2. The information is related to controlling rotation and stop of the reel cutter (cutting cylinder).



Proximity Sensor\_001

1	Proximity sensor
---	------------------

## 2WD/3WD Selector Lever

### ⚠ Caution

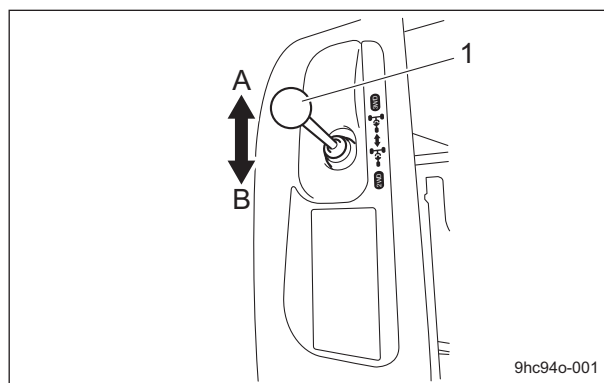
Before switching between 2WD and 3WD operation, make sure that the machine is completely stopped.

### ⚠ Caution

Since traveling on steep downward slopes, wet surfaces and wet grassy downward slopes in 3WD is dangerous, use 2WD. Otherwise, the rear tires may slip and travel control may be lost.

The 2WD/3WD selector lever is located to the left of the driver's seat.

When the lever is shifted forward, 3WD mode is selected. When the lever is shifted backward, 2WD mode is selected.



2WD/3WD Selector Lever\_001

1	2WD/3WD selector lever
A	3WD
B	2WD

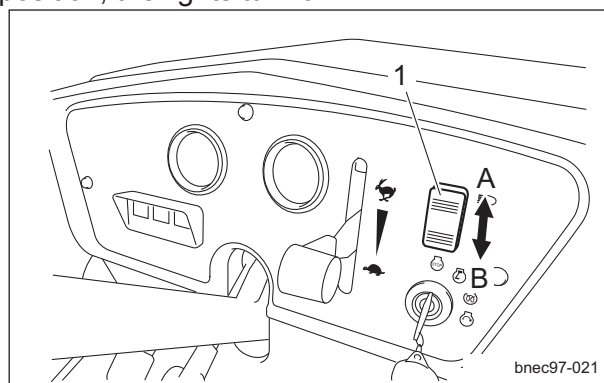
## Light Switch

### ⚠ Warning

The lights provide auxiliary lighting. Do not travel or operate the machine at night or under poor visibility.

### Note:

Depending on the specifications, this function may not be available. The light switch is located in the meter panel. When the switch is set to the "ON" position, the lights turn on. When it is set to the "OFF" position, the lights turn off.



Light Switch\_001

1	Light switch
A	ON
B	OFF

### Note:

The lights will not turn on when the key switch is set to the "OFF" position.

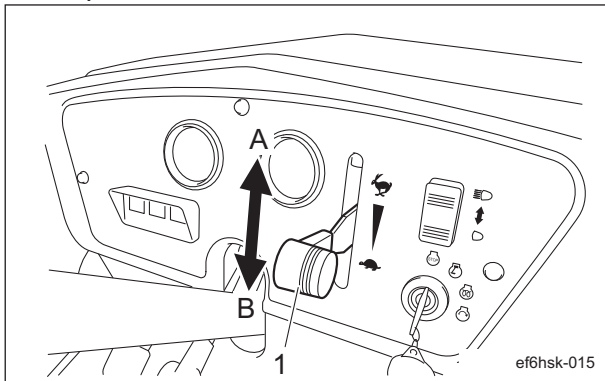
# Handling Instructions

## Throttle Lever

The throttle lever is located in the meter panel and enables you to adjust the engine rpm. Move the throttle lever toward the rabbit icon (high speed) to increase the engine rpm, and toward the turtle icon (low speed) to reduce the rpm.

Note:

The factory default maximum engine rpm is 2,800 rpm.



Throttle Lever\_001

1	Throttle lever
A	High speed
B	Low speed

## Mower Unit Up/Down Lever

### ⚠ Caution

Before raising or lowering the mower units, be sure to sit on the seat.

### ⚠ Caution

Before raising or lowering the mower units, make sure that there are no people around the machine.

### ⚠ Caution

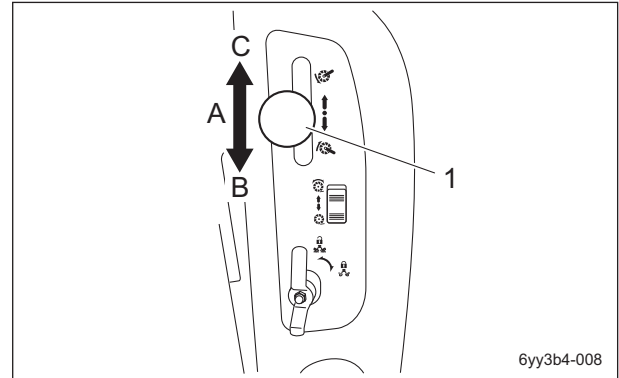
Be careful since shifting the mower unit up/down lever to the "DOWN" position lowers the mowers, even while the engine is stopped.

### ⚠ Caution

Before operating the mower unit up/down lever, be sure to set the stop valve to the "Open" position.

The mower unit up/down lever is located in the operation panel (to the right of the driver's seat) and raises or lowers the mower units.

Shift the lever to the "DOWN" position to lower the mowers, and shift it to the "UP" position to raise the mowers.



Mower Unit Up/Down Lever\_001

1	Mower unit up/down lever
A	Neutral
B	Up
C	Down

Note:

Even if the reel rotation switch is set to the "Rotation" position, the reel cutter (cutting cylinder) stops rotating when the mower unit up/down lever is set to the "Neutral" position or the mower units are raised.

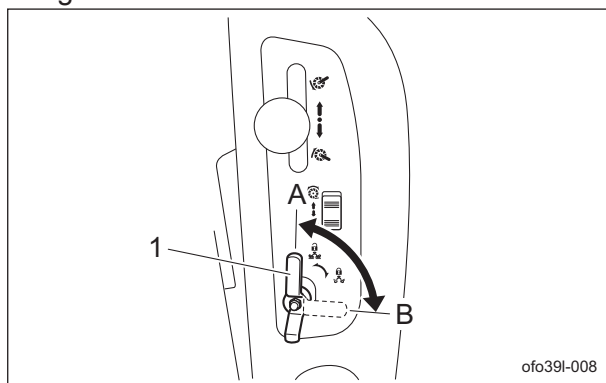
# Handling Instructions

## Stop Valve

**Caution**

When you move the machine, or if you stop the engine with the mower units raised, be sure to set the stop valve to the "Stop" position.

The stop valve is located in the operation panel (to the right of the driver's seat). This valve prevents all raised mower units from falling.



Stop Valve\_001

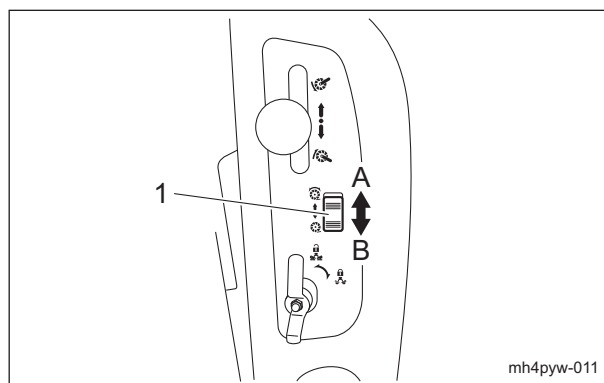
1	Stop valve
A	Stop
B	Open

## Reel Rotation Switch

**Caution**

Set the reel rotation switch to the "Rotation" position immediately before starting cutting work. At all other times, be sure to leave the reel rotation switch set to the "Stop" position.

The reel rotation switch is located in the operation panel (to the right of the driver's seat) and operates rotation of the reel cutters (cutting cylinders) of the mower units. When the reel rotation switch is set to the "Rotation" position, the reel cutters (cutting cylinders) of all mower units will rotate for cutting work. When the reel rotation switch is set to the "Stop" position, the reel cutters (cutting cylinders) will stop.



mh4pyw-011

Reel Rotation Switch\_001

1	Reel rotation switch
A	Rotation
B	Stop

## Reel Reverse Switch

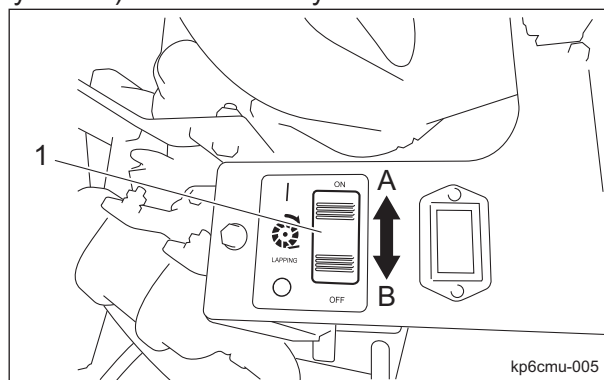
**Caution**

Do not switch the reel reverse switch to the "ON" or "OFF" position while the reel cutter (cutting cylinder) is rotating. Otherwise, a hydraulic system malfunction may result.

**Important**

If the reel rotation switch is not set to the "Rotation" position, the reel cutter (cutting cylinder) will not rotate.

The reel reverse switch is located under the hood. This switches the rotation direction of the reel cutter (cutting cylinder). When the reel reverse switch is set to the "ON" position, the reel cutters (cutting cylinders) of all mower units rotate in reverse (back lapping rotation). When the reel reverse switch is set to the "OFF" position, the reel cutters (cutting cylinders) rotate normally.



kp6cmu-005

Reel Reverse Switch\_001

# Handling Instructions

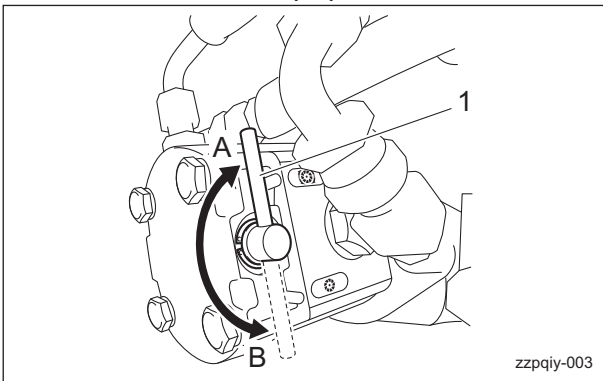
1	Reel reverse switch
A	ON (reverse rotation)
B	OFF (normal rotation)

## Reel rotation/stop switching lever

### ⚠ Caution

Before operating the reel rotation/stop switching lever, be sure to set the reel rotation switch to the "Stop" position.

The reel rotation/stop switching lever is located on the reel motor attached to each mower unit. It is used during cutting and back lapping. Shift the lever(s) to the "Rotation" position only for the mower unit(s) to be used for cutting or back lapping. Leave the lever(s) for other mower units in the "Stop" position.



Reel Rotation/Stop Switching Lever\_001

1	Reel rotation/stop switching lever
A	Rotation
B	Stop

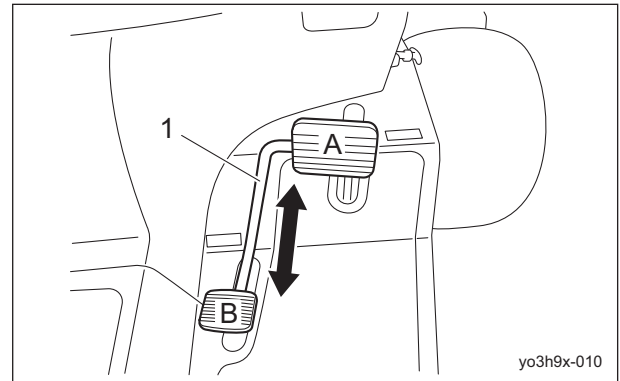
## Traveling Pedal

### ⚠ Warning

This machine is not authorized as a special motor vehicle. Do not drive it on public roads.

The traveling pedal is located in the right foot area.

When the forward end is depressed, the machine travels forward. When the backward end is depressed, the machine travels backward.

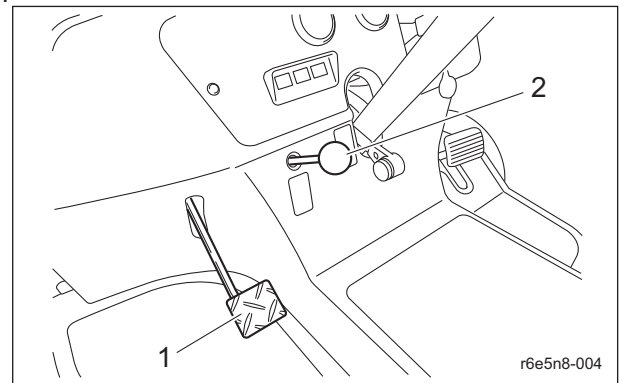


Traveling Pedal\_001

1	Traveling pedal
A	Forward
B	Backward

## Brake Pedal

The brake pedal is located in the left foot area. To stop the machine, firmly depress the brake pedal.



Brake Pedal\_001

1	Brake pedal
2	Parking brake lever

# Handling Instructions

## Parking Brake Lever

### ⚠ Caution

Be sure to release the parking brake before driving. Otherwise, the brakes or hydraulic system may malfunction.

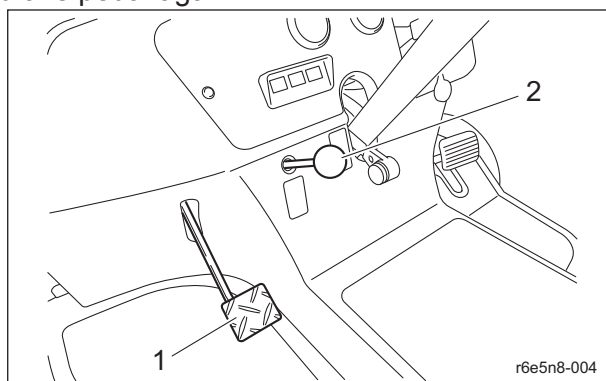
### ⚠ Caution

Never park the machine on a slope.

The parking brake lever is located under the left side of the meter panel.

To park the machine, depress the brake pedal and pull the parking brake lever completely.

To release the parking brake, depress the brake pedal again.



Parking Brake Lever\_001

1	Brake pedal
2	Parking brake lever

## Hood

### ⚠ Caution

Do not open the hood in strong winds.

### ⚠ Caution

Be careful not to pinch your fingers when you open or close the hood.

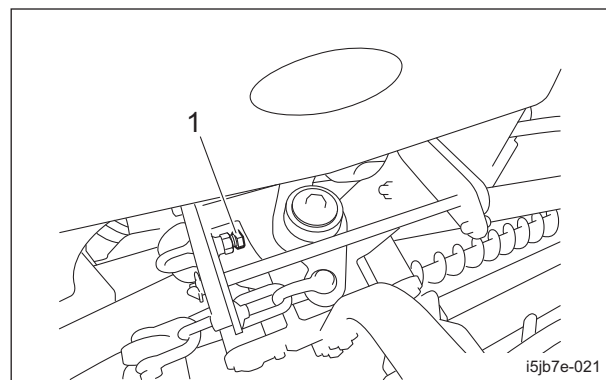
### Important

Before opening the hood, be sure to lower the mower units.

In addition, do not raise the mower units while the hood is open.

Otherwise, the hood will be damaged.

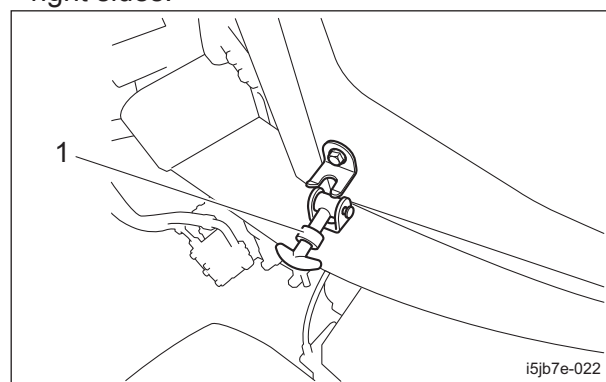
1. Loosen the lock bolt for the hood.



Hood\_001

1	Lock bolt
---	-----------

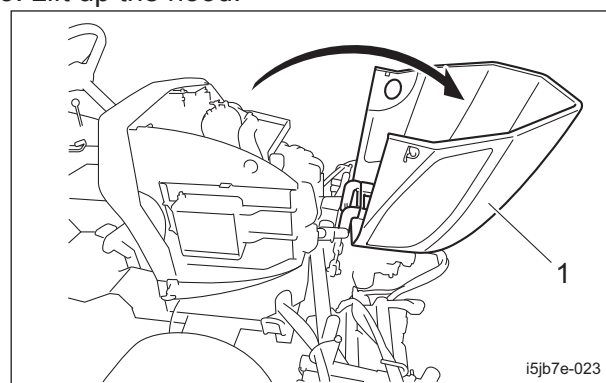
2. Release the rubber catches on the left and right sides.



Hood\_002

1	Rubber catch
---	--------------

3. Lift up the hood.



Hood\_003

1	Hood
---	------

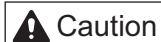
4. Close the hood slowly.

5. Hook the rubber catches without fail.

6. Tighten the lock bolt for the hood.

# Handling Instructions

## Rear Cover



Caution

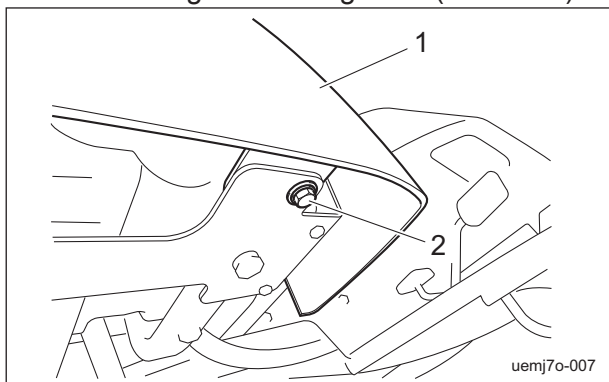
Do not open the rear cover in strong winds.



Caution

Be careful not to pinch your fingers when opening or closing the cover.

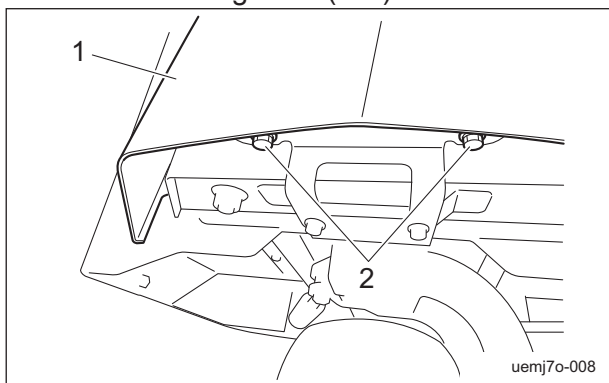
1. Remove the bolts on the rear cover.  
Left and right mounting bolts (one each)



Rear Cover\_001

1	Rear cover
2	Bolt

- Rear mounting bolts (two)



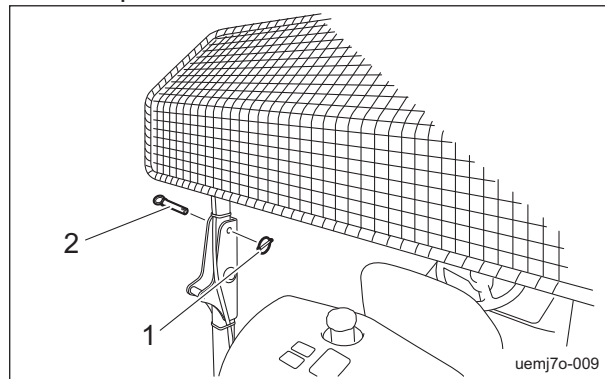
Rear Cover\_002

1	Rear cover
2	Bolt

2. Bring the seat to the very front position.

3. If the ball proof net is installed, follow the steps below to fold back the ROPS.

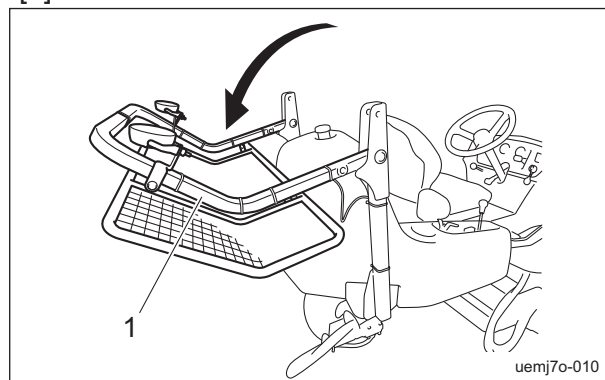
- [1] Remove the clip pins on the left and right sides of the ROPS, and then remove the lock pins.



Rear Cover\_003

1	Clip pin
2	Lock pin

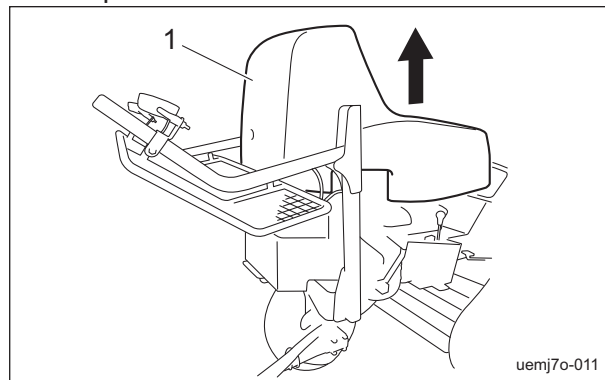
- [2] Fold back the ROPS.



Rear Cover\_004

1	ROPS
---	------

4. Pull up the rear cover to remove it.



Rear Cover\_005

1	Rear cover
---	------------



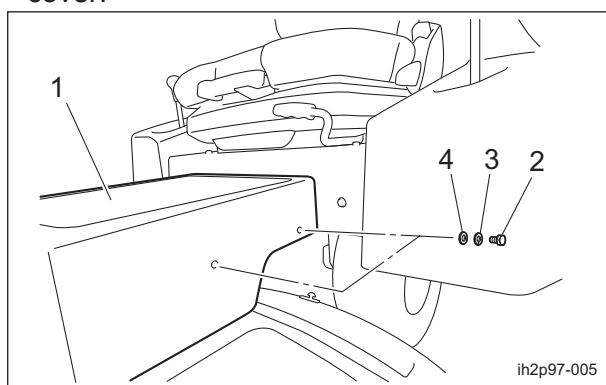
# Handling Instructions

## Center Cover

### ⚠ Caution

Be careful not to pinch your fingers when you open or close the cover.

1. Bring the seat to the backmost position.
2. Completely raise the steering wheel.
3. Remove the bolt on each side of the center cover.



Center Cover\_001

1	Center cover
2	Bolt
3	Spring washer
4	Washer

4. Remove the center cover.

## Battery Cutoff Switch

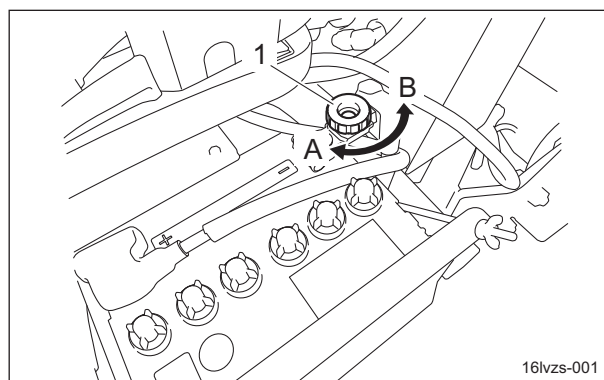
### Important

After disconnecting, switch the ignition key to the "ON" position and check that the charge lamp and oil pressure lamp do not turn on.

The battery cutoff switch is located on top of the battery (behind the driver's seat, on the left).

This switch connects and disconnects the negative battery cable.

When the knob is tightened to set the switch to the "ON" position, the negative battery cable is connected. When knob is loosened to set the switch to the "OFF" position, the negative battery cable is disconnected.

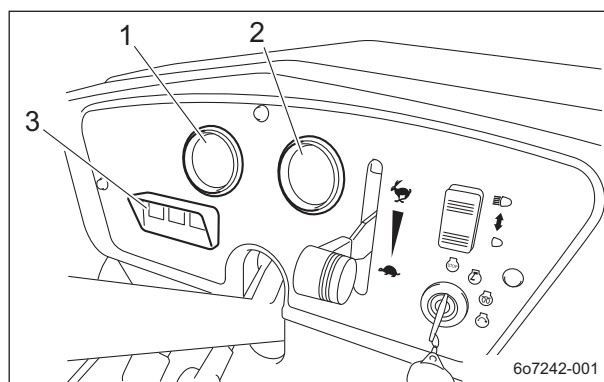


Battery Cutoff Switch\_001

1	Battery cutoff switch
A	ON (connect)
B	OFF (disconnect)

## Instruments

### Instruments in the Meter Panel



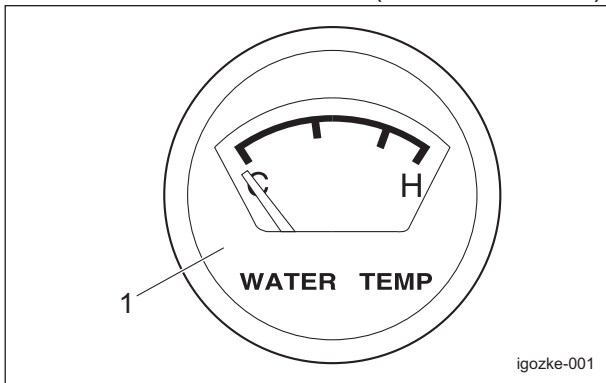
Instruments in the Meter Panel\_001

1	Water temperature gauge
2	Fuel gauge
3	Pilot lamps (charge lamp, thermo-start lamp, and oil pressure lamp)

# Handling Instructions

## Water Temperature Gauge

The water temperature gauge is located in the meter panel.  
 This instrument indicates the water temperature inside the engine.  
 If the water temperature gauge indicates a level close to "H" during operation, the machine is overheated.  
 Remove the load from the engine, idle the machine for five minutes, stop the engine, and then inspect the machine and perform any necessary maintenance.  
 If the water temperature exceeds 105 degrees Celsius, a buzzer will sound. (intermittent tone)

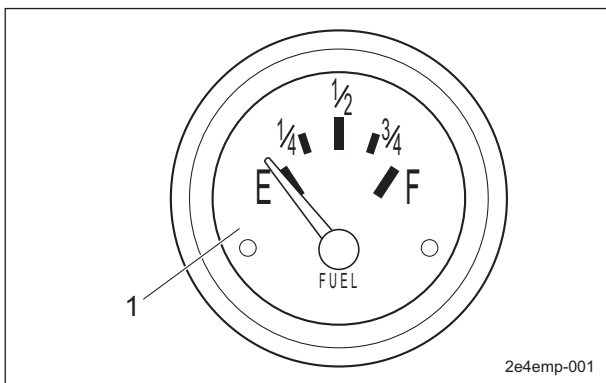


Water Temperature Gauge\_001

1	Water temperature gauge
---	-------------------------

## Fuel Gauge

The fuel gauge is located in the meter panel.  
 This instrument indicates the quantity of fuel inside the fuel tank.



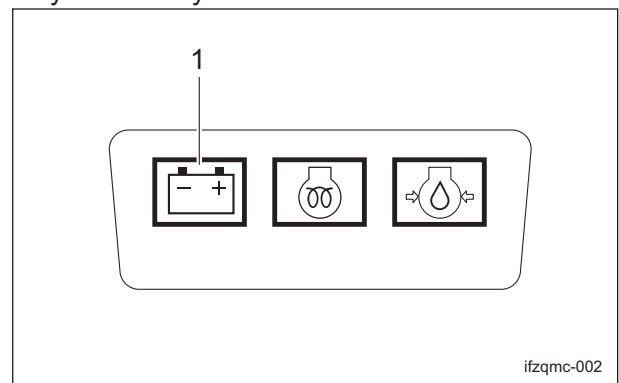
Fuel Gauge\_001

1	Fuel gauge
---	------------

## Pilot Lamps

### Charge Lamp

The charge lamp is the left pilot lamp, located in the meter panel.  
 This lamp turns on when the ignition key is set to the "ON" position before the engine starts. It turns off when the engine starts and the alternator starts operating properly.  
 If this lamp illuminates while you are operating the machine, stop the engine immediately, and then inspect the machine and perform any necessary maintenance.

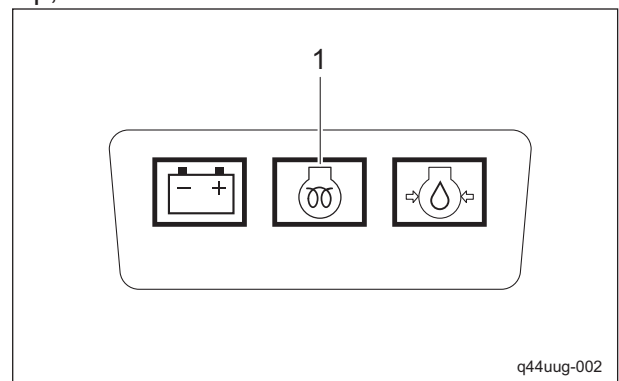


Charge Lamp\_001

1	Charge lamp
---	-------------

### Thermo-start Lamp

The thermo-start lamp is the middle pilot lamp, located in the meter panel.  
 When the ignition key is set to the "GLOW" position, this lamp turns on while the glow plug generates heat.  
 Illumination of the thermo-start lamp is controlled by the glow lamp timer, and the lamp is turned off after a specified amount of time passes.  
 The duration of illumination indicates an approximate period of time required for warm-up, and has been fixed at five seconds.



Thermo-start Lamp\_001

# Handling Instructions

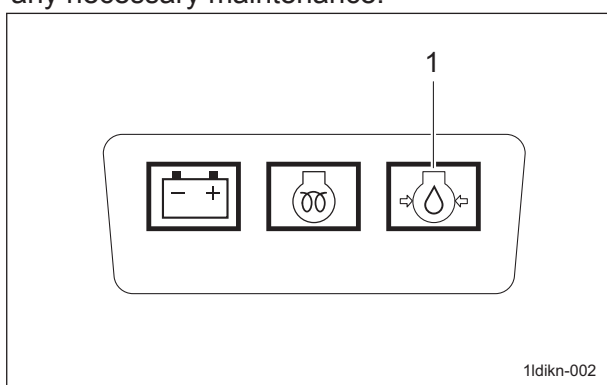
1	Thermo-start lamp
---	-------------------

## Oil pressure lamp

The oil pressure lamp is the right pilot lamp, located in the meter panel.

This lamp turns on when the ignition key is set to the "ON" position before the engine starts. It turns off when the engine starts and engine oil pressure is generated properly.

If this lamp illuminates while you are operating the machine, stop the engine immediately, and then inspect the machine and perform any necessary maintenance.



1	Oil pressure lamp
---	-------------------

## Overheat Warning Buzzer

If the water temperature inside the engine exceeds 105 degrees Celsius, a buzzer will sound. (intermittent tone)

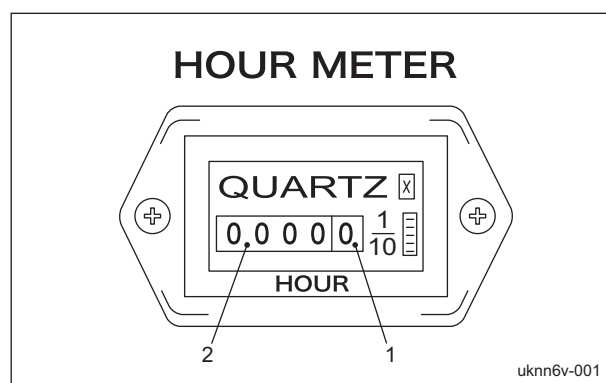
Remove the load from the engine, idle the machine for five minutes, stop the engine, and then inspect the machine and perform any necessary maintenance.

## Hour meter

The hour meter is located under the hood and indicates the total operation time of the engine. Every six minutes of engine operation will increase the number at the first digit (black number on a white background) by one. Every one hour of engine operation will increase the number at the next digit (white number on a black background) by one.

1/10 digit: Black number on white background

Hour digits: White number on black background



Hour Meter\_001

1	1/10 digit
2	Hour digits

## Travel of Machine

### Traveling Procedure

#### ⚠ Caution

Since traveling on steep downward slopes, wet surfaces and wet grassy downward slopes in 3WD is dangerous, use 2WD. Otherwise, the rear tires may slip and travel control may be lost.

1. Start the engine.  
"Procedure to Start Engine" (Page 4-18)
2. Raise all mower units, and then set the anti-falling stop valve to the "Stop" position.
3. Depress the brake pedal to release the parking brake.
4. Slowly depress the traveling pedal.
5. The machine will start to travel.

# Handling Instructions

## Towing the Machine

If the machine does not travel due to engine trouble, etc., you can move it in the following ways:

- Pushing by hand
- Towing (See the following procedure.)

### ⚠ Caution

Do not touch the unload valve except when towing the machine.

### ⚠ Caution

Before towing, check that the brake is applied effectively.

### ⚠ Caution

When towing the machine, travel at a speed no more than 3.0 km/h.

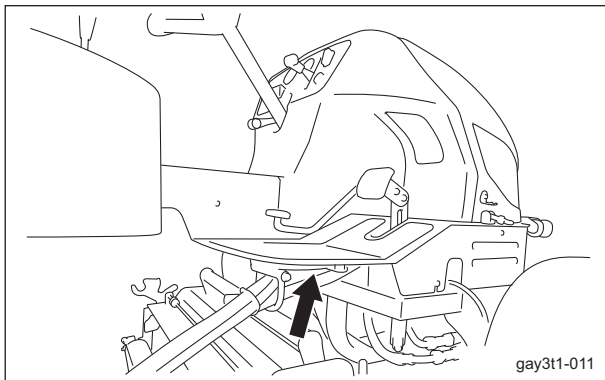
### Important

For unloading, be sure to open the two unload valves.

### Important

Before starting the engine, be sure to close the unload valves.

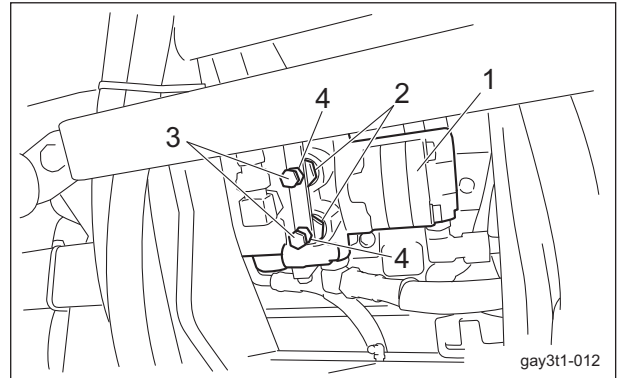
The unload valves are located under the floor panel.



Towing the Machine\_001

1. Stop the engine.  
"Procedure to Stop Engine" (Page 4-19)
2. Apply the parking brake and chock the wheels.
3. Set the 2WD/3WD selector lever to the "2WD" position.

4. Loosen the lock nut on each of the two unload valves.
5. Tighten the two bolts to compress the unload valve operating pins and open the unload valves.



Towing the Machine\_002

1	Piston pump
2	Unload valve
3	Bolt
4	Lock nut

6. Remove the wheel stoppers.
7. Depress the brake pedal to release the parking brake.
8. Tow the machine slowly.

# Handling Instructions

## Cutting Work

### Cutting Work

#### ⚠ Warning

Do NOT start to move or stop the machine abruptly.

To do so is very dangerous. In addition, it may damage the hydraulic system or result in oil leakage.

#### ⚠ Caution

Cutting work must be performed at an appropriate speed for the site and location. When cutting over bumpy surfaces, keep the engine rpm steady, and slow down the cutting speed.

#### ⚠ Caution

Reel rotation will be turned on or off based on the sensor-detected position of the mower units.

Please note that if you stop operating the mower unit up/down lever before the mower units are raised completely, reel rotation may not stop.

Mow with the lever shifted to the "DOWN" position.

When the lever is returned to the neutral position, the cylinders are fixed, preventing mowing on undulations.

1. Shift the reel rotation/stop switching levers of all mower units to the "Rotation" position.
2. Start the engine.  
"Procedure to Start Engine" (Page 4-18)
3. Raise all mower units, and then set the anti-falling stop valve to the "Stop" position.
4. Depress the brake pedal to release the parking brake.
5. Shift the throttle lever to the rabbit icon (high speed) to run the engine at the maximum speed (2,800 rpm).
6. Right before starting cutting work, set the anti-falling stop valve to the "Open" position.
7. Shift the mower unit up/down lever to the "DOWN" position to lower the mower units.

8. Set the reel rotation switch to the "Rotation" position to rotate the reel cutters (cutting cylinders) of all mower units.
9. Depress the traveling pedal to start cutting work.

### Removal/Installation of Grass Catcher

#### ⚠ Caution

Stop the engine before removing or installing the grass catcher.

1. Set the reel rotation switch to the "Stop" position.
2. Lower the mower units.
3. Apply the parking brake.
4. Stop the engine.

5. Remove or install the grass catcher.

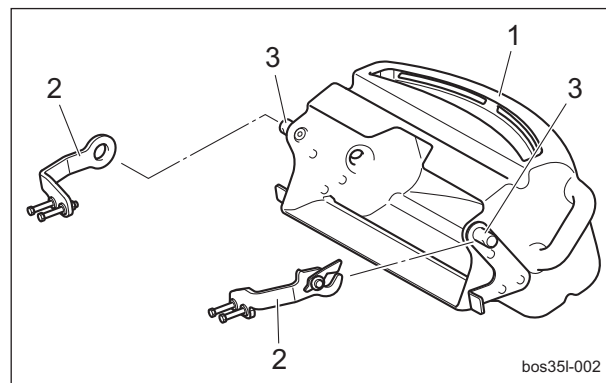
Removal of grass catcher:

Lift up the grass catcher, and remove the mounting pins on the left and right of the grass catcher from the grass catcher mounting brackets.

Installation of grass catcher:

Install the mounting pins on the left and right sides of the grass catcher into the grass catcher mounting brackets.

Mower unit #1

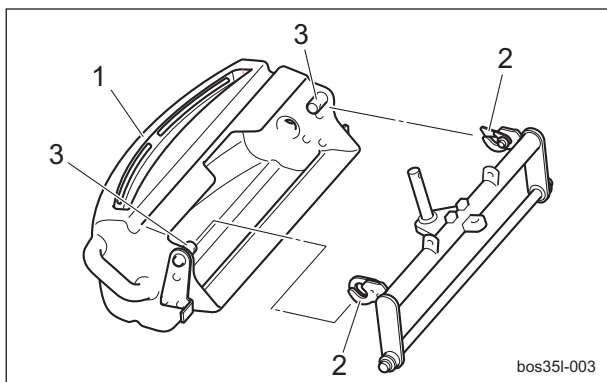


Removal/Installation of Grass Catcher\_001

1	Grass catcher
2	Grass catcher mounting bracket
3	Mounting pin

# Handling Instructions

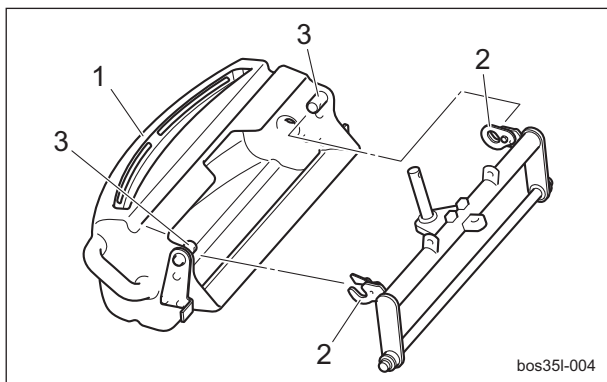
## Mower unit #2



Removal/Installation of Grass Catcher\_002

1	Grass catcher
2	Grass catcher mounting bracket
3	Mounting pin

## Mower unit #3



Removal/Installation of Grass Catcher\_003

1	Grass catcher
2	Grass catcher mounting bracket
3	Mounting pin

## Transporting

### Transporting Procedure

When loading the machine into a trailer or a truck to transport it, drive the machine forward. When unloading, drive the machine in reverse.

<b>Maintenance Precautions .....</b>	<b>Page 5-2</b>
<b>Maintenance Schedule .....</b>	<b>Page 5-2</b>
Specified Values .....	Page 5-6
<b>Jacking up the machine .....</b>	<b>Page 5-6</b>
About the Jacking up the machine .....	Page 5-6
Jack-up Points .....	Page 5-6
Lifting Points .....	Page 5-7
<b>Greasing .....</b>	<b>Page 5-8</b>
About Greasing .....	Page 5-8
Greasing Points .....	Page 5-8
<b>Maintenance (Main Body) .....</b>	<b>Page 5-10</b>
Removing/Installing Tires .....	Page 5-10
Adjustment of Belt Tension .....	Page 5-11
Adjustment of Parking Brake .....	Page 5-12
Adjustment of Brake .....	Page 5-13
Adjusting the Neutral Position of the Piston Pump .....	Page 5-13
Change of Coolant .....	Page 5-15
Change of Hydraulic Oil .....	Page 5-15
Replacement of Hydraulic Oil Filter .....	Page 5-16
Change of Air Cleaner .....	Page 5-17
Replacement of Engine Oil .....	Page 5-18
Replacement of Engine Oil Filter .....	Page 5-19
Replacement of Fuel Filter .....	Page 5-19
Change of Fuse .....	Page 5-20
<b>Long-Term Storage .....</b>	<b>Page 5-21</b>
Before Long-Term Storage .....	Page 5-21

# Maintenance

## Maintenance Precautions

**⚠ Caution**

First, learn well the maintenance operations you plan to perform.

**⚠ Caution**

Use tools appropriate for each maintenance operation.

**⚠ Caution**

For the safe and best performance of your machine, use Baroness genuine parts for replacement and accessories. Please note that our product warranty may be void if you use non-genuine parts for replacement or accessories.

## Maintenance Schedule

LM331

Follow the maintenance schedule below.

- . . . Inspect, adjust, supply, clean
- . . . Replace (first time)
- △ . . . Replace

Maintenance Item		Before Work	After Work	Every Week	Every 50 hrs.	Every 100 hrs.	Every 200 hrs.	Every 400 hrs.	Every 500 hrs.	Every 800 hrs.	Every 1500 hrs.	Every 3000 hrs.	Every 6 months	Every year	Every 2 years	Every 4 years	When Required	Remarks
*3	Check engine oil level	○																
*3	Check fuel level	○																
*3	Check coolant level	○																
*3	Check fan belt	○																
*3	Open air cleaner evacuator valve to remove dust	○		○														Open valve every week or daily in dusty conditions
	Check hydraulic oil level	○																Refer to "Inspection of Hydraulic Oil"
	Check hydraulic hoses condition (Moving part)	○																
	Check tire pressures and condition	○																Refer to "Inspection of Tires"
	Check V belt	○																



## Maintenance

Maintenance Item	Before Work	After Work	Every Week	Every 50 hrs.	Every 100 hrs.	Every 200 hrs.	Every 400 hrs.	Every 500 hrs.	Every 800 hrs.	Every 1500 hrs.	Every 3000 hrs.	Every 6 months	Every year	Every 2 years	Every 4 years	When Required	Remarks
Check traveling pedal motion	<input type="radio"/>																
Check brake function	<input type="radio"/>																Refer to "Inspection of Brake"
Check brake wire	<input type="radio"/>																
Check brake pedal play	<input type="radio"/>																
Check oil or water leaks	<input type="radio"/>																Refer to "Inspection of Oil Leakage"
Check damaged parts	<input type="radio"/>																
Check tightening bolts and nuts	<input type="radio"/>																
Check work lamp illumination	<input type="radio"/>																
Check meters and lamps	<input type="radio"/>																By starting the engine
Check interlock system safety function	<input type="radio"/>																By starting the engine
Check steering wheel motion (Lock to lock)	<input type="radio"/>																By starting the engine
Check mower arm motion	<input type="radio"/>																By starting the engine
Clean machine exterior		<input type="radio"/>															
Clean engine area		<input type="radio"/>															
Clean radiator screen		<input type="radio"/>															
Clean radiator core		<input type="radio"/>															
Clean oil cooler core		<input type="radio"/>															
Check electrical wiring condition (Damage, defacement and joint looseness)				<input type="radio"/>	<input type="radio"/>												50 hours first check, every 100 hours thereafter
Check looseness of wheel mounting bolt				<input type="radio"/>	<input type="radio"/>												50 hours first check, every 100 hours thereafter
Grease and Lubricate all moving parts				<input type="radio"/>													Refer to "Greasing Points"
*2.*3 Check fuel hoses and clamp bands				<input type="radio"/>													
*3 Change engine oil				●	△												50 hours first change, every

# Maintenance

Maintenance Item		Before Work	After Work	Every Week	Every 50 hrs.	Every 100 hrs.	Every 200 hrs.	Every 400 hrs.	Every 500 hrs.	Every 800 hrs.	Every 1500 hrs.	Every 3000 hrs.	Every 6 months	Every year	Every 2 years	Every 4 years	When Required	Remarks
*3	Change engine oil				●	△												100 hours thereafter
*3	Replace oil filter cartridge				●	△												50 hours first change, every 200 hours thereafter
*2. *3	Clean air cleaner outer element (Replace the element after 6-time cleaning)					○								△				Replace every 6 cleanings or every year whichever comes earlier Air cleaner should be cleaned more often in dusty conditions than in normal conditions
	Replace hydraulic oil					●			△									100 hours first change, every 500 hours thereafter
	Replace hydraulic oil filter					●			△									100 hours first change, every 500 hours thereafter
	Check battery fluid level					○								○				Check every 100 hours or every year whichever comes earlier Refer to "Inspection of Battery"
*3	Adjust fan belt tension					○												
*3	Clean fuel filter pot					○												
	Check draining of water separator					○												Refer to "Inspection of Water Separator", "Draining of Water Separator"
*2	Check intake air line (air cleaner hose)					○												

## Maintenance

Maintenance Item		Before Work	After Work	Every Week	Every 50 hrs.	Every 100 hrs.	Every 200 hrs.	Every 400 hrs.	Every 500 hrs.	Every 800 hrs.	Every 1500 hrs.	Every 3000 hrs.	Every 6 months	Every year	Every 2 years	Every 4 years	When Required	Remarks
*3	Check radiator hoses and clamp bands						○						○					Check every 200 hours or 6 months whichever comes earlier
	Check hydraulic hoses condition (Fixed part)						○							○				Check every 200 hours or every year whichever comes earlier
*2.*3	Replace fuel filter element							△										
	Clean water separator							○										
	Clean water jacket and radiator interior								○									
*3	Replace fan belt								△									
*1	Check valve clearance									○								
*1.*2	Check injection nozzle										○							
*1.*2	Check injection pump											○						
*3	Change radiator coolant (L.L.C.)														△			
*3	Replace radiator hoses and clamp bands														△			
*1.*2.*3	Replace fuel hoses and clamps														△			
*2	Replacement intake air line (air cleaner hose)														△			
	Replace hydraulic hoses (Moving part)														△			
	Replace hydraulic hoses (Fixed part)															△		
	Adjust brakes																○	
	Replace brake pads																△	
	Replace brake cables																△	
	Replace battery																△	

- \*1: Consult your local Baroness Dealer or local KUBOTA Dealer for this service.
- The items above (\*2 marked) are registered as emission related critical parts by KUBOTA in the U.S. EPA nonroad emission regulation.  
As the engine owner, you are responsible for the performance of the required maintenance on the engine according to the above instruction.  
Please see the warranty statement in detail.
- \*3: Refer to the Engine's Owner's Manual.
- The values for consumables are not guaranteed.
- Replace the steering cylinder hoses every 2 years.

# Maintenance

## Specified Values

Fuel tank capacity	25.0 dm <sup>3</sup> (25.0 L)	Diesel fuel	
Hydraulic tank capacity	26.0 dm <sup>3</sup> (26.0 L)	Shell Tellus S2M46 or equivalent	
Quantity of engine oil	3.7 dm <sup>3</sup> (3.7 L)	API Service grade class CF or higher	
Coolant volume	6.0 dm <sup>3</sup> (6.0 L)	Including reserve tank	
Tire pneumatic pressure	Front wheel	140 kPa (1.4 kgf/cm <sup>2</sup> )	20 x 12.00-10 4P
	Rear wheel	140 kPa (1.4 kgf/cm <sup>2</sup> )	20 x 8.00-10 4P
Mower stabilizer spring	#2, #3	140.0 mm (5.51 in)	Total length of spring
	#1	140.0 mm (5.51 in)	Total length of spring
Hydraulic pump drive belt	35.0 mm (1.38 in)	Total length of spring	

## Jacking up the machine

## Jack-up Points

### About the Jacking up the machine

#### Warning

When replacing a tire or beginning any other maintenance or repairs, be sure to chock the wheels to prevent the machine from moving. Before jacking up the machine, park it on a hard, flat surface such as a concrete floor and remove any obstacles that could prevent you from performing the work safely.

When necessary, use an appropriate chain block, hoist, or jack.

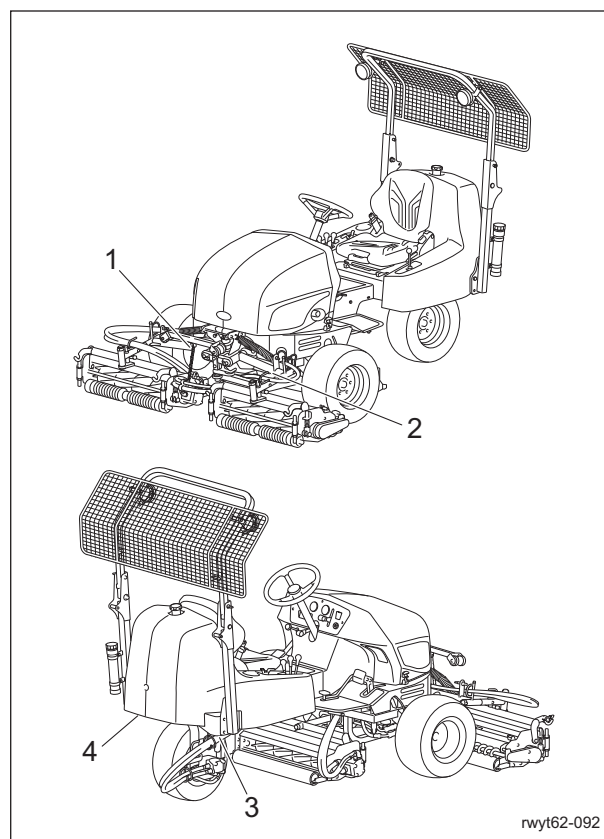
Support the machine securely with jack stands or appropriate blocks.

Failure to do so may cause the machine to move or fall, resulting in injury or death.

Use the jack-up points identified in this manual when jacking up the machine.

Only place a jack under the jack-up points specified.

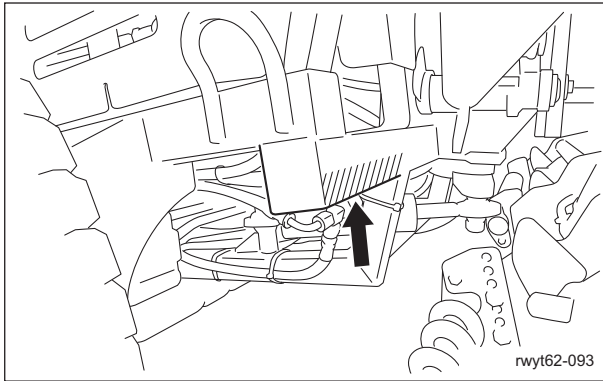
Placing a jack at any other point could result in damage to the frame or other parts.



Jack-up Points\_001

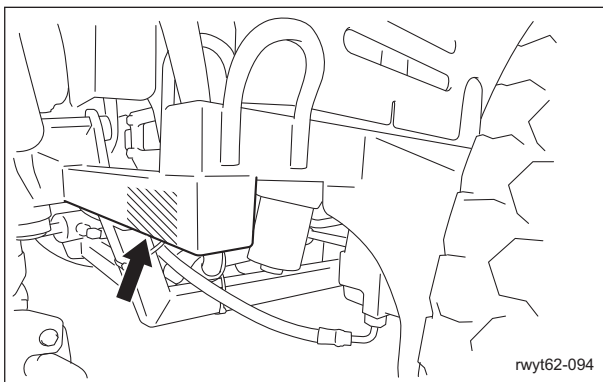
	Jack-up Points
1	Front right frame
2	Front left frame
3	Rear right frame
4	Rear left frame

### 1. Front right frame



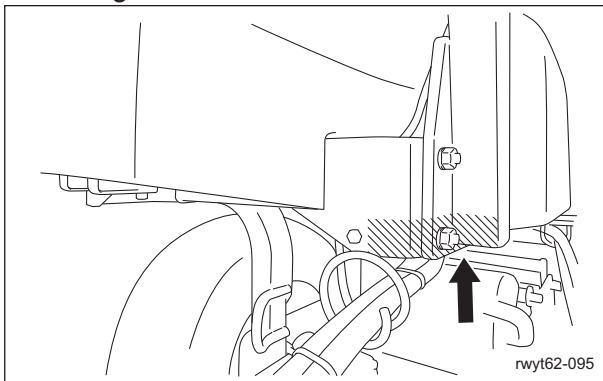
Jack-up Points\_002

### 2. Front left frame



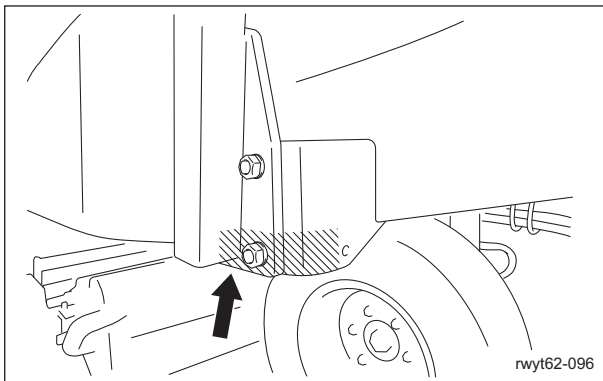
Jack-up Points\_003

### 3. Rear right frame



Jack-up Points\_004

### 4. Rear left frame

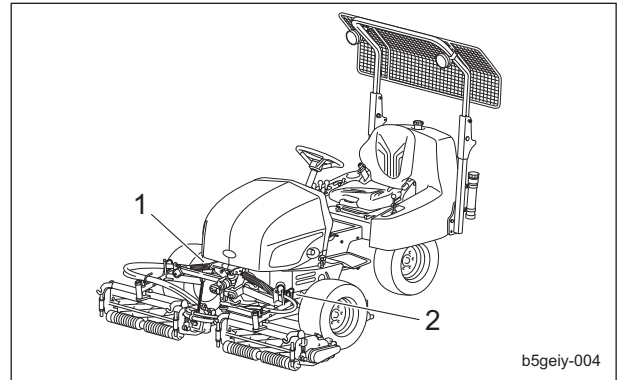


Jack-up Points\_005

## Lifting Points

### Important

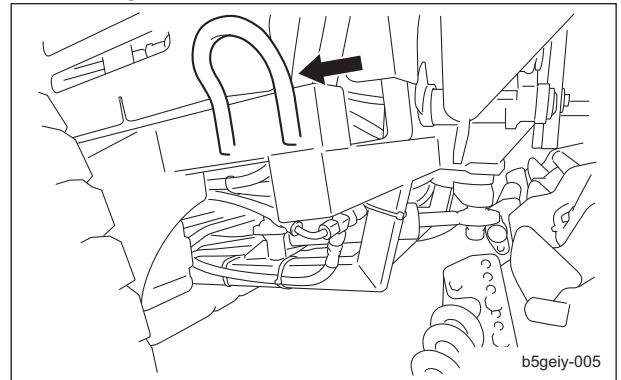
Be sure to use adequately strong cables.



Lifting Points\_001

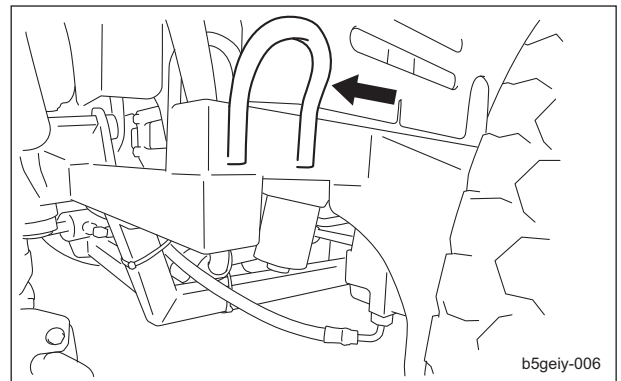
	Lifting points
1	Front right frame
2	Front left frame

### 1. Front right frame



Lifting Points\_002

### 2. Front left frame



Lifting Points\_003

# Maintenance

## Greasing

### About Greasing

Since there may be adhesion or damage due to lack of grease on moving parts, they must be greased.

Add urea-based No. 2 grease in accordance with the Maintenance Schedule.

Other locations where the specified grease or lubricant is used are indicated in "Greasing Points".

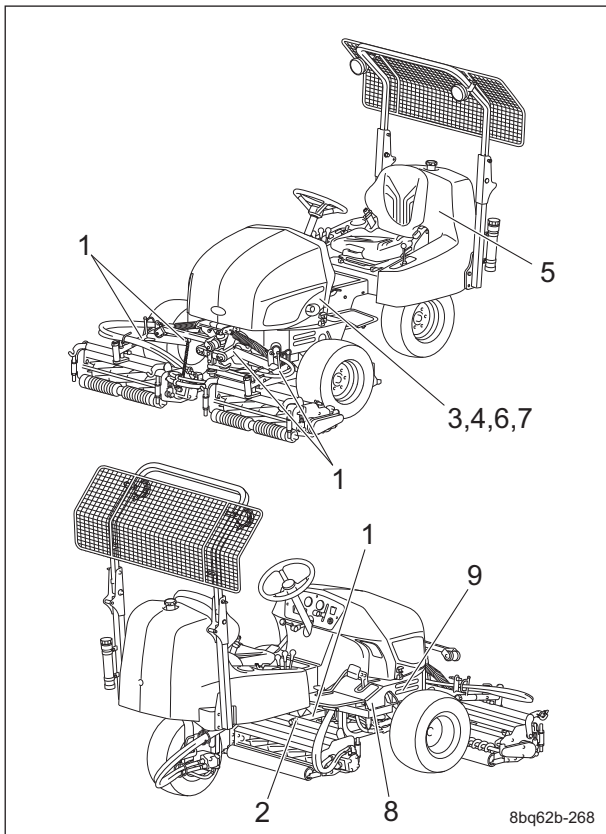
Add grease using the specified grease or lubricant.

### Greasing Points

Grease nipples are installed in the following locations.

Add grease every 50 hours of operation.

However, for locations where a time is specified, add grease according to that schedule.



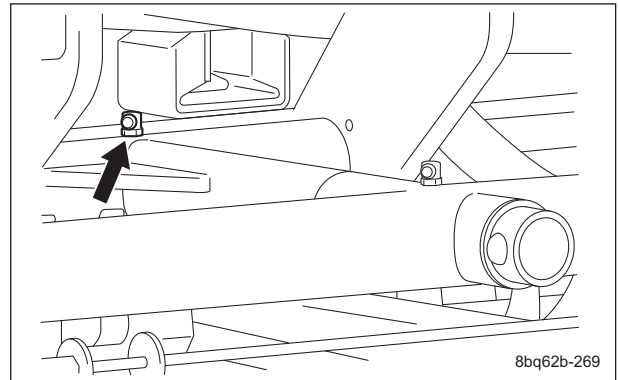
Greasing Points\_001

	Location	No. of greasing points
1	Lift arm fulcrum	5
2	Mower arm fulcrum	1
3	Brake pedal shaft fulcrum	1
4	Brake lever shaft	1
5	Rear wheel housing	1
6	Tension lever	1
7	Neutral cam lever	1
8	Traveling pedal shaft fulcrum	1
9	Traveling pedal relay lever	1

#### 1. Lift arm fulcrum

##### Mower unit #1

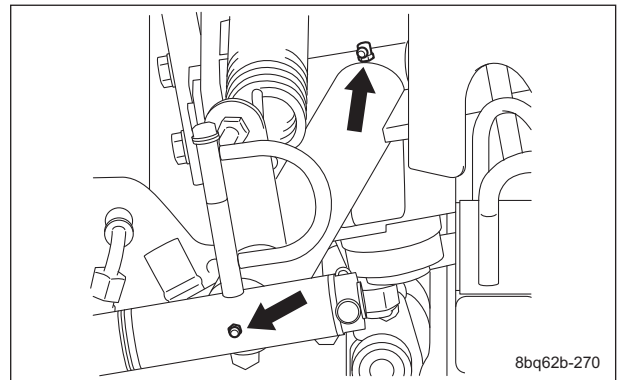
There is one greasing point on the lift arm fulcrum connected to the mower unit.



Greasing Points\_002

##### Mower units #2 and #3

There are two greasing points on the lift arm fulcrum connected to each mower unit.

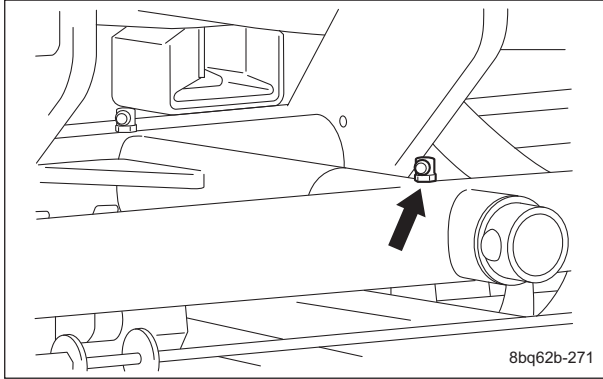


Greasing Points\_003

## 2. Mower arm fulcrum

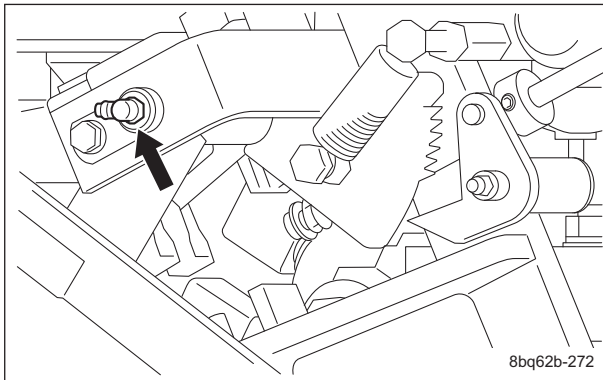
Mower unit #1

There is one greasing point on the mower arm fulcrum.



Greasing Points\_004

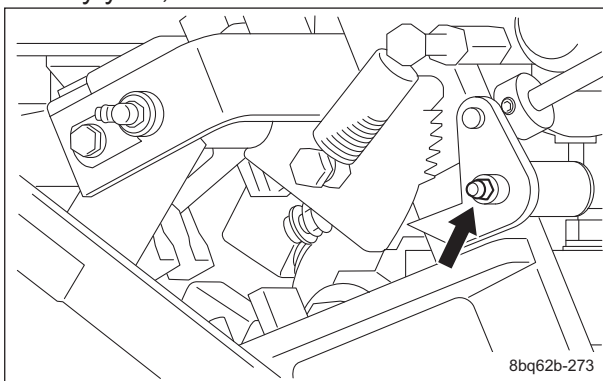
## 3. Brake pedal shaft fulcrum



Greasing Points\_005

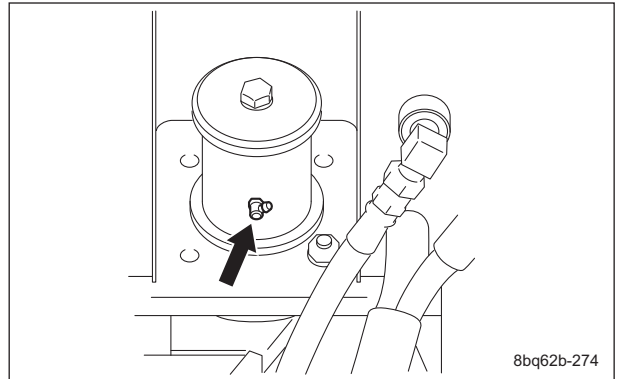
## 4. Brake lever shaft

Add grease every 100 hours of operation or every year, whichever comes earlier.



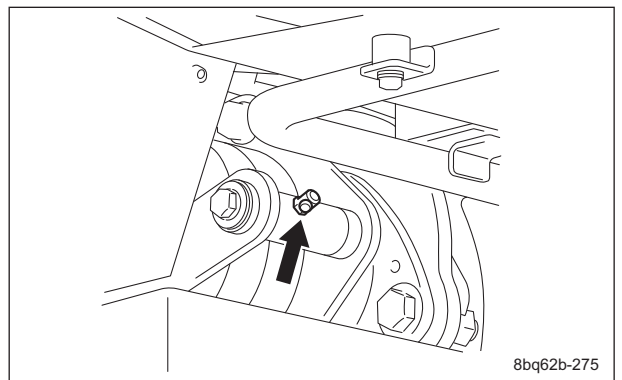
Greasing Points\_006

## 5. Rear wheel housing



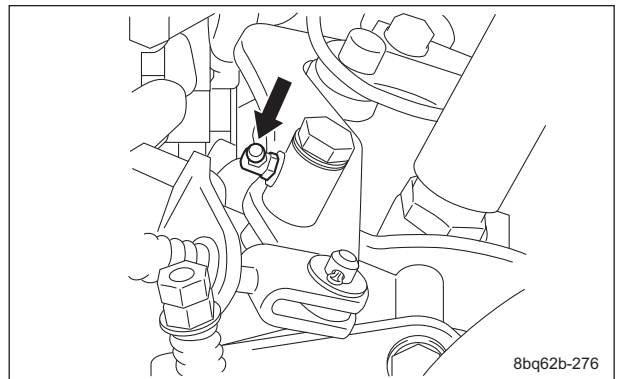
Greasing Points\_007

## 6. Tension lever



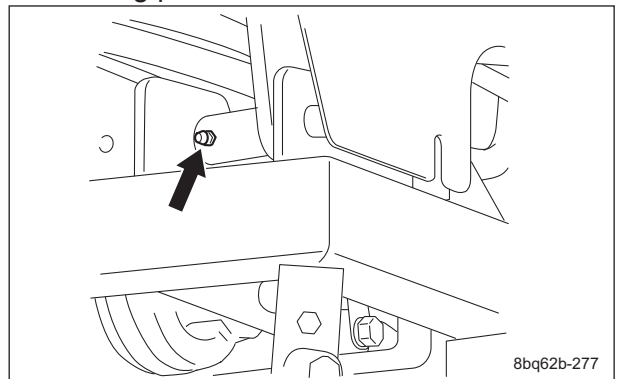
Greasing Points\_008

## 7. Neutral cam lever



Greasing Points\_009

## 8. Traveling pedal shaft fulcrum

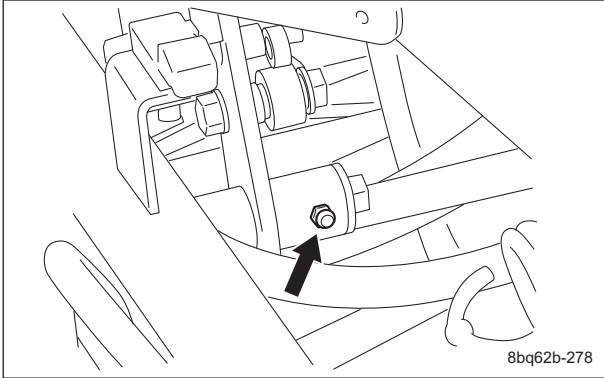


Greasing Points\_010

Maintenance

# Maintenance

## 9. Traveling pedal relay lever



Greasing Points\_011

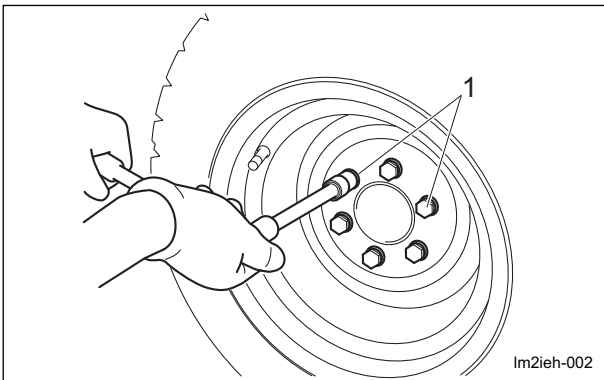
## Maintenance (Main Body)

### Removing/Installing Tires

#### Front Tires

Follow the steps below to remove the front tires:

1. Loosen the bolts.



Front Tires\_001

1	Heat-treated bolt
---	-------------------

2. Securely place the jack beneath the jack-up point of the front left/right frame area, and then raise it until the tire lifts off the ground. "Jack-up Points" (Page 5-6)
3. Remove the bolts.
4. Remove the tire from the wheel mounting seat.

#### **⚠ Caution**

Refer to the Tightening Torque table. Note that the Baroness product warranty may not apply to defects caused by incorrect or overtorque tightening etc.

#### **Important**

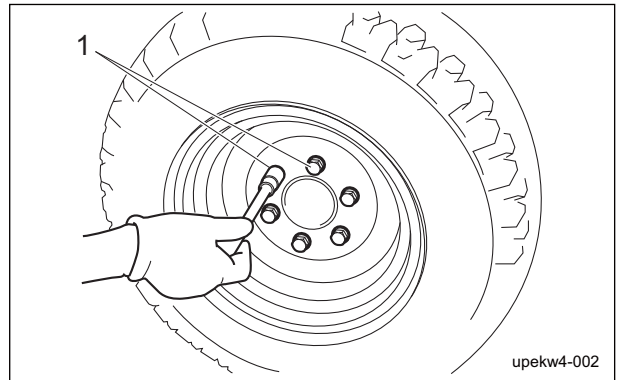
Tighten the bolts in the tightening order (diagonally).

For installing the front tires, reverse the removing procedure.

#### Rear Tires

Follow the steps below to remove the rear tires

1. Loosen the bolts.



Rear Tires\_001

1	Heat-treated bolt
---	-------------------

2. Securely place the jack beneath the jack-up point of the rear frame area, and then raise it until the tire lifts off the ground. "Jack-up Points" (Page 5-6)
3. Remove the bolts.
4. Remove the tire from the wheel mounting base.

#### **⚠ Caution**

Refer to the Tightening Torque Table. Note that the Baroness product warranty may not apply to defects caused by incorrect or overtorque tightening, etc.

#### **Important**

Tighten the bolts in the tightening order (crosswise).

For installing the rear tires, reverse the removing procedure.



## Adjustment of Belt Tension

**Caution**

Be sure to stop the engine before adjusting the belts.

**Important**

Make sure that the belt has the specified amount of tension.

If the belt becomes slack due to frequent use, it may jump or slip.  
 In addition, if it is overtightened, it may wear prematurely.  
 If necessary, adjust it, and always check the belt for appropriate tension.

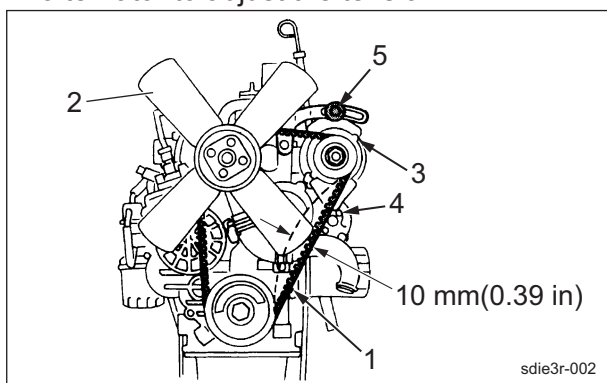
### Fan Belt

**Caution**

Be sure to stop the engine before adjusting the belts.

For details on handling the engine, please refer to the separate Engine Operating Manual.

1. Press the middle of the belt with your finger to check the belt tension.
2. If the belt is too slack, loosen bolts A and B (that affix the alternator), then move the alternator to adjust the tension.



Fan Belt\_001

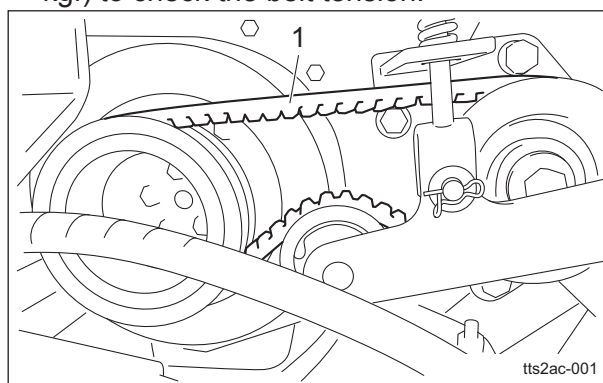
1	Fan belt
2	Blade
3	Alternator
4	Bolt A
5	Bolt B

## Hydraulic Pump Drive Belt

**Caution**

Be sure to stop the engine before adjusting the belts.

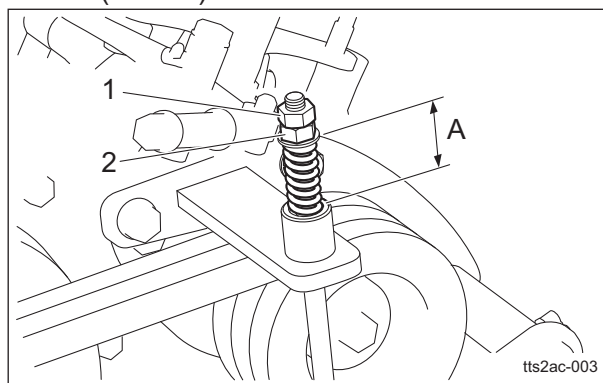
1. Open the hood.
2. With your finger, lightly press the middle of the belt with a force of 25 to 35 N (2.5 to 3.5 kgf) to check the belt tension.



Hydraulic Pump Drive Belt\_001

1	Hydraulic pump drive belt
---	---------------------------

3. Loosen the lock nut, and then turn the nut to adjust the length of the spring to 35.0 mm (1.38 in).



Hydraulic Pump Drive Belt\_002

1	Lock nut
2	Nut
A	35.0 mm (1.38 in)

4. Secure with the lock nut.

# Maintenance

## Adjustment of Parking Brake

**⚠ Danger**

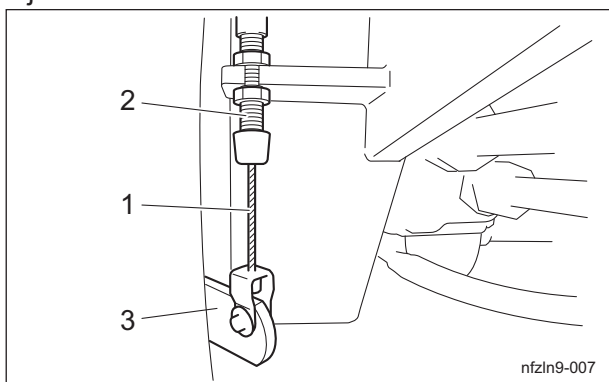
Make sure that the brake wire is not cracked or damaged.

**⚠ Danger**

Make sure that the brake is effective on slopes and that it is not applied any longer when you release it.

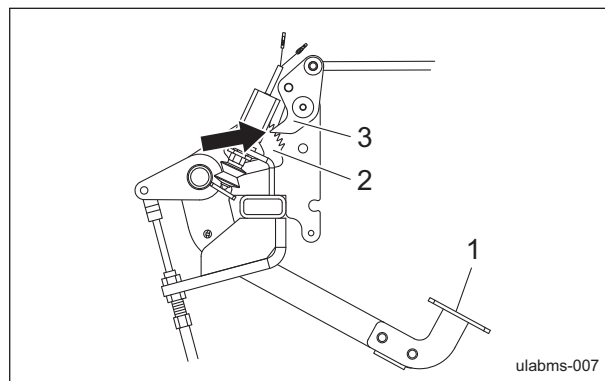
Adjust the parking brake system whenever there is any abnormality.

Adjust the parking brake system by the adjustment bolt.



Adjustment of Parking Brake\_001

1	Brake wire
2	Adjustment bolt
3	Brake lever



Adjustment of Parking Brake\_002

1	Brake pedal
2	Notch
3	Latch

1. Follow the steps below to adjust the parking brake.

[1] Check position of the notch of the parking brake.

[2] Depress the brake pedal firmly, and then pull the parking brake lever to engage the latch on the notch.

[3] Make adjustment with the adjustment bolt so as to locate position of the arrow at 3 to 4 notches from the bottom.

## Adjustment of Brake

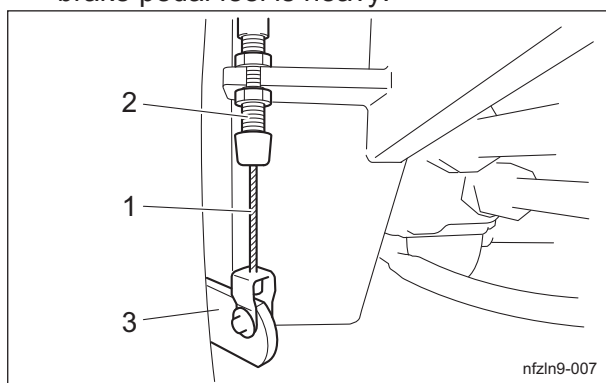
### **⚠ Danger**

If the brake wire is cut, the machine will be unable to stop. This would be extremely dangerous.  
If the brake wire is cracked or damaged, replace it with a new one immediately.  
If the brake is not sufficiently effective, adjust the brake wire.

### Important

Adjust to reduce the play in the brake lever as much as possible so that the brake does not drag when the lever is released.

- Adjust the foot brake by tightening the brake wire adjustment bolt.
  - If there is too much play in the brake lever, the braking power is reduced and the brake pedal feel is light.
  - If there is too little play in the brake lever, the braking power is increased and the brake pedal feel is heavy.



Adjustment of Brake\_001

1	Brake wire
2	Adjustment bolt
3	Brake lever

- Start the engine and drive to check the following.
  - Make sure that heat is not generated in the brake area.
  - Make sure that the left and right brakes are equally effective.

### **⚠ Danger**

It would be extremely dangerous and may result in an unexpected accident if the left and right brakes are not equally effective.

- If the left and right brakes are not equally effective, make fine adjustments with the adjustment bolt on the brake wire.

### Break-in of Brakes

If the brake shoes or brake pads are worn, replace them with new ones.  
Immediately after replacement, drive to break in the brakes if the effectiveness of the brakes is low.  
While driving, lightly operate the brakes to break in the contact areas.

### Adjusting the Neutral Position of the Piston Pump

#### **⚠ Caution**

Make sure not to touch rotating tires.

#### **⚠ Caution**

Be careful not to touch the muffler.

#### **⚠ Caution**

When adjusting the neutral position, pay close attention to abrupt start of the machine.  
Place the jacks beneath the jack-up points, and then lift the machine until all the tires get off the ground.

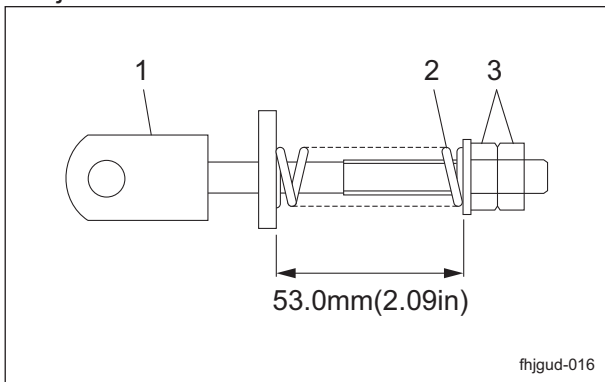
### Important

Make sure that there is no abnormality in the bearings of the trunnion lever. If there is an abnormality, perform a replacement before the following operation.

- If the machine moves forward or backward while the traveling pedals are released, they are not set to the neutral position.  
Follow the steps below to make adjustments.
- Stop the engine.

# Maintenance

2. Place the jacks beneath the jack-up points, and then lift the machine off the ground. Use stable jack stands, and raise the machine until the tires lift off the ground. "Jack-up Points" (Page 5-6)
3. Make sure that no tires get contact with the jack stand.
4. Open the hood.
5. Make sure that the length of the spring of the lever adjuster is 53.0 mm (2.09 in). Loosen the lock nut as necessary to make adjustment.



Adjusting the Neutral Position of the Piston Pump\_001

1	Lever adjustment bracket
2	Spring
3	Lock nut

6. Adjust the neutral position.

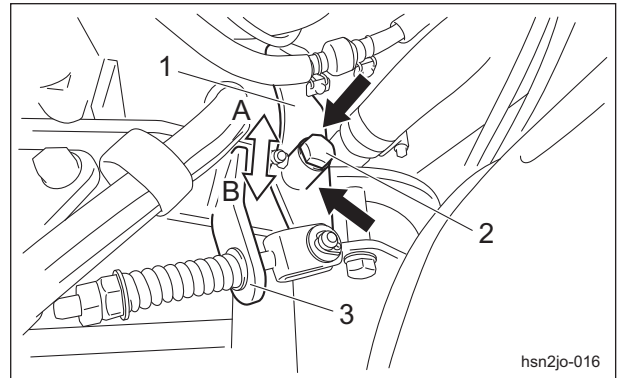
[1] Make sure that the engine has stopped.

[2] Loosen (60° to 120°) the cam lever shaft bolt.

[3] Tap the cam lever fulcrum (pipe portion) with a plastic hammer in the direction of the left and right arrows.

- When the tire moves in the direction of forward travel, slide the cam lever in direction A.
- When the tire moves in the direction of backward travel, slide the cam lever in direction B.

- [4] Slide the cam lever and tighten the cam lever shaft bolt.



Adjusting the Neutral Position of the Piston Pump\_002

1	Cam lever
2	Cam lever shaft bolt
3	Lever adjustment bracket

7. Start the engine, and rev it up to the maximum rpm.
8. Set the 2WD/3WD selector switch to the "2WD" position.
9. Check that the tires do not move. If a tire moves even slightly, stop the engine, and then repeat steps 6. to 9.

## Change of Coolant

For details on handling the engine, please refer to the Owner's Manual for the engine.

### Warning

When changing the coolant, be sure to drain it into a container and discard it in accordance with local laws and regulations.

### Warning

Do not touch the radiator or coolant during engine operation or immediately after the engine has been turned off. Otherwise, you may get burned due to high temperatures. After the radiator has cooled down sufficiently, open the radiator cap.

### Caution

Change coolant after the engine has well cooled down.

### Important

When you change coolant, be sure to use clean water, such as tap water. During winter, remove coolant. Alternatively, mix long-life coolant and clean water, and then pour it into the radiator and reserve tank.

For details on changing coolant, please refer to the separate Engine Operating Manual. Coolant quantity, including the reserve tank, is 3.1 dm<sup>3</sup> (3.1 L).

## Change of Hydraulic Oil

### Warning

When you change the hydraulic oil, be sure to drain it into a bowl and discard it in accordance with local laws and regulations.

### Caution

If the hydraulic oil emulsifies or if it becomes even slightly less transparent, change the oil immediately.

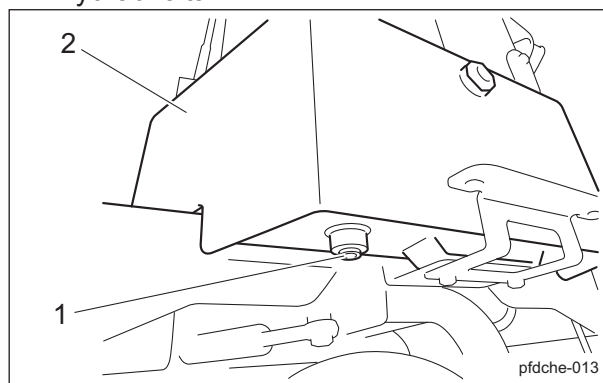
### Caution

Be careful with hot oil, which could cause burns if it contacts your skin.

### Important

Use Shell Tellus S2M46 (or equivalent) as hydraulic oil.

1. Follow the steps below to remove the old oil.
  - [1] Start and run the engine to warm up the oil.
  - [2] On a level surface, lower the mower units, and then stop the engine.
  - [3] Remove the drain plug of the hydraulic tank and drain the old oil into a bowl.
  - [4] Wind new sealing tape on the drain plug, and then install the drain plug into the hydraulic tank.



Change of Hydraulic Oil\_001

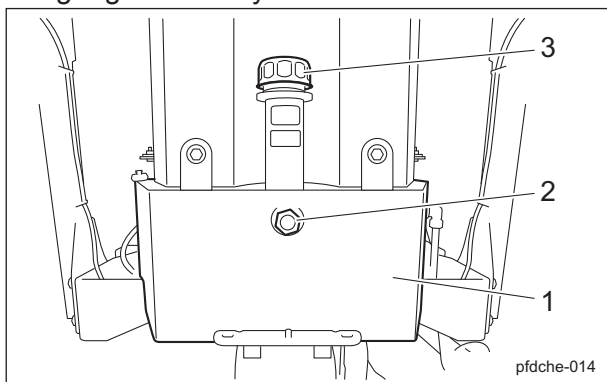
1	Drain plug
2	Hydraulic tank

2. Remove the rear cover.

# Maintenance

3. Follow the steps below to supply new hydraulic oil.  
The hydraulic tank capacity is approximately 26.0 dm<sup>3</sup> (26.0 L).

[1] Open the tank cap, and then supply hydraulic oil through the oil filling port until the oil level reaches the middle of the oil gauge on the hydraulic tank.



Change of Hydraulic Oil\_002

1	Hydraulic tank
2	Oil gauge
3	Tank cap

[2] Tighten the tank cap securely.

4. Start the engine, raise and lower the mower units, and turn the steering wheel left and right.  
Move forward and reverse repeatedly several times.
5. Raise the mower units and maintain that position on a level surface, and then check to see if the oil level is at the middle of the oil gauge. If necessary, supply oil.
6. Check underneath the machine for hydraulic oil leakage.
7. Install the rear cover.

## Replacement of Hydraulic Oil Filter

### Warning

When replacing the hydraulic oil filter, be sure to drain the oil into a container and discard it in accordance with local laws and regulations.

### Caution

If the hydraulic oil emulsifies or if it becomes even slightly less transparent, change the oil immediately.

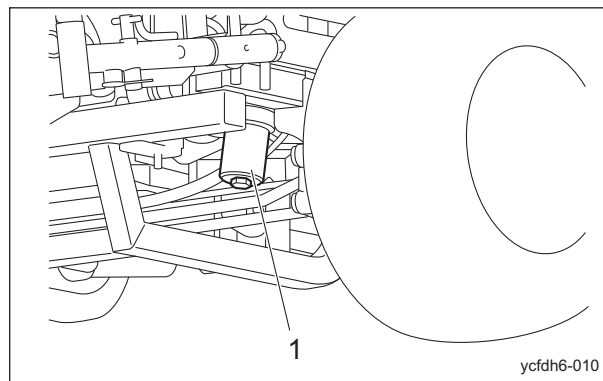
### Caution

Be careful with hot oil, which could cause burns if it contacts your skin.

### Important

Use Shell Tellus S2M46 (or equivalent) as hydraulic oil.

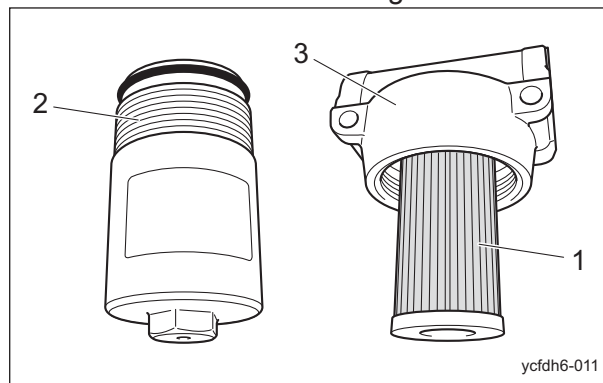
1. On a level surface, lower the mower units, and then stop the engine.
2. Loosen the filter case and remove it.



Replacement of Hydraulic Oil Filter\_001

1	Filter case
---	-------------

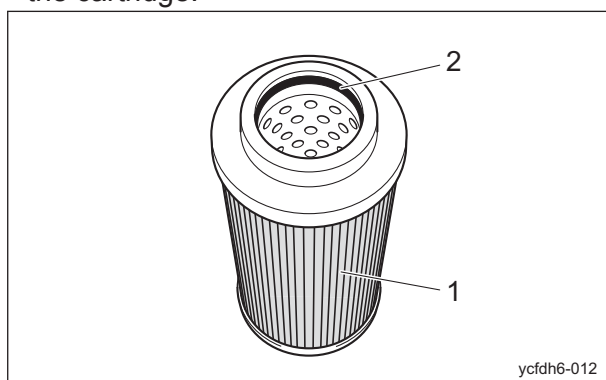
3. Remove the old filter cartridge.



Replacement of Hydraulic Oil Filter\_002

1	Filter cartridge
2	Filter case
3	Body

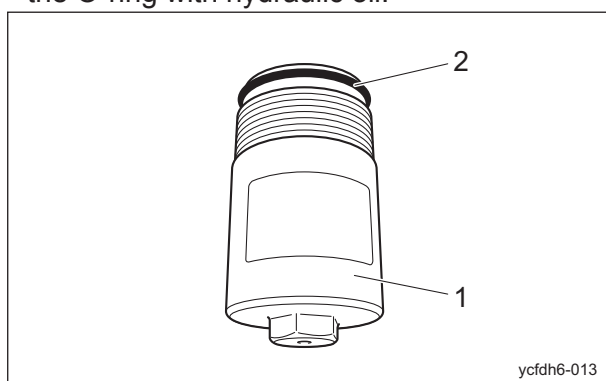
4. Lightly coat the O-ring of the new filter cartridge with hydraulic oil, and then install the cartridge.



Replacement of Hydraulic Oil Filter\_003

1	Filter cartridge
2	O-ring

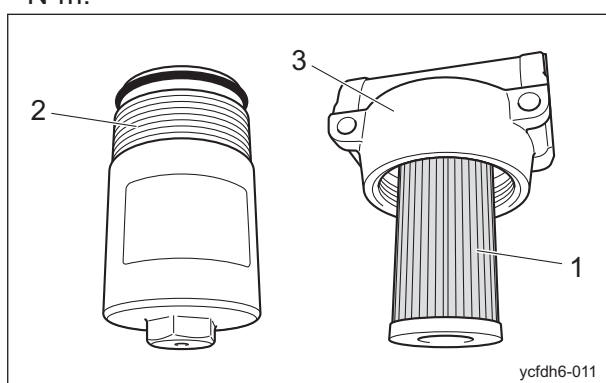
5. Clean the inside of the filter case.  
6. Make sure that there is no damage to the O-ring of the filter case, and then lightly coat the O-ring with hydraulic oil.



Replacement of Hydraulic Oil Filter\_004

1	Filter case
2	O-ring

7. Install the filter case onto the body, firmly hand-tighten it, and then tighten it to 25 to 35 N·m.



Replacement of Hydraulic Oil Filter\_005

1	Filter cartridge
2	Filter case
3	Body

8. Supply hydraulic oil until it reaches the specified level.

"Hydraulic Oil Supply" (Page 4-5)

### Change of Air Cleaner

For details on handling the engine, please refer to the Engine's Owner's Manual.

A contaminated air cleaner element may cause malfunction of the engine.

To maximize the life of the engine, replace the air cleaner element at the appropriate times.

1. The timing for replacing the air cleaner element is described below.

[1] Replace the air cleaner element in accordance with the Maintenance Schedule.

[2] If it is significantly contaminated, replace it, even if the hours of operation do not exceed the specified time.

2. Replace the air cleaner element in the same manner as cleaning the air cleaner.

"Cleaning of Air Cleaner" (Page 4-6)

# Maintenance

## Replacement of Engine Oil

For details on handling the engine, please refer to the Owner's Manual for the engine.

### Warning

When changing the engine oil, be sure to drain it into a container and discard it in accordance with local laws and regulations.

### Caution

Be careful with hot oil, which could cause burns if it contacts your skin.

### Important

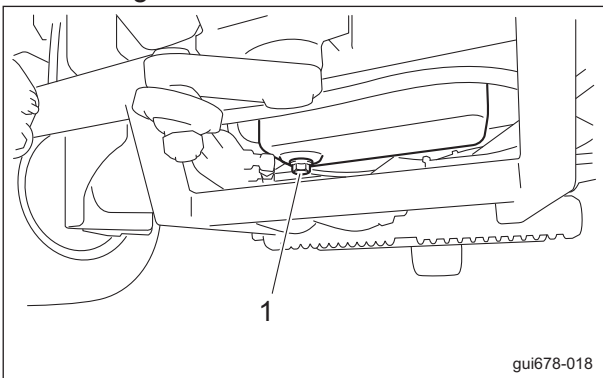
Be sure to use engine oil that is classified as API Service Grade CF or higher, with an SAE Viscosity that is appropriate for the operating environment (ambient temperature).

### Important

Securely tighten the oil level gauge and oil filler cap.

Change the engine oil more frequently if it is contaminated and especially if you use the machine in dusty areas or operate the engine at high loads or in high temperatures.

1. Follow the steps below to remove the old engine oil.
  - [1] Start and run the engine to warm up the engine oil.
  - [2] With the machine on a level surface, stop the engine.
  - [3] Remove the drain plug, and then drain the old engine oil into a container.



Replacement of Engine Oil\_001

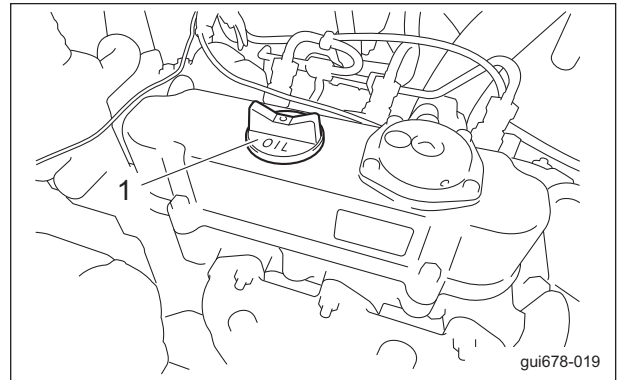
1	Drain plug
---	------------

- [4] Re-place the drain plug.

2. Remove the oil filler cap, and then supply new engine oil until the oil reaches a level in between the upper and lower limit lines on the oil level gauge.

Engine oil quantity is approximately 3.7 dm<sup>3</sup> (3.7 L).

3. Securely install the oil filler cap.



Replacement of Engine Oil\_002

1	Oil filler cap
---	----------------

4. It will take a while for the supplied engine oil to descend into the oil pan. Check the oil level again 10 to 20 minutes after supplying the oil.



## Replacement of Engine Oil Filter

For details on handling the engine, please refer to the Owner's Manual for the engine.

### Warning

When replacing the engine oil filter, be sure to drain the engine oil into a container and discard it in accordance with local laws and regulations.

### Caution

Be careful with hot oil, which could cause burns if it contacts your skin.

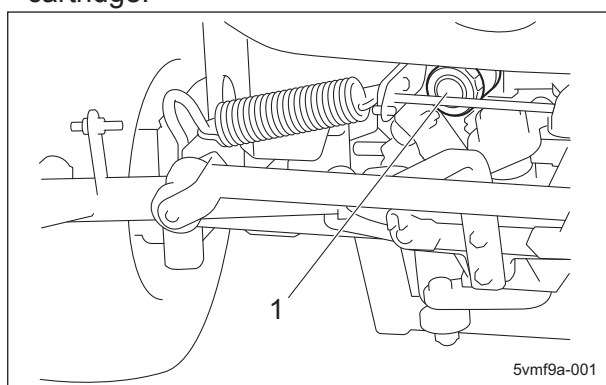
### Important

Be sure to use engine oil that is classified as API Service Grade CF or higher, with an SAE Viscosity that is appropriate for the operating environment (ambient temperature).

### Important

Securely tighten the oil level gauge and oil filler cap.

1. With the filter wrench, remove the old filter cartridge.



Replacement of Engine Oil Filter\_001

- |   |                  |
|---|------------------|
| 1 | Filter cartridge |
|---|------------------|

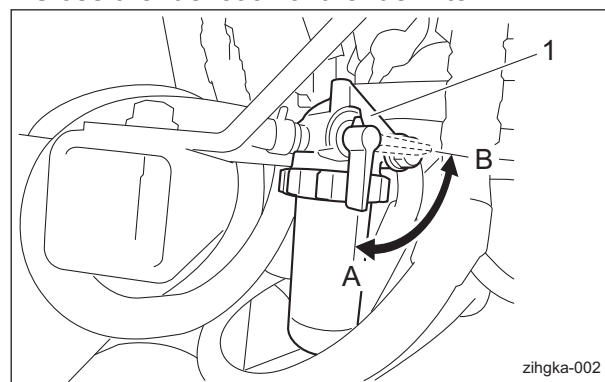
2. Lightly coat the packing of the new filter cartridge with engine oil.
3. Hand-tighten the filter cartridge until the packing contacts the sealing surface, and then firmly hand-tighten (without using a filter wrench).
4. Supply engine oil until it reaches the specified level.  
"Supply of Engine Oil" (Page 4-9)

5. Start the engine, and then stop it after 10 to 20 minutes.
6. Make sure that there is no oil leakage at the sealing surface of the filter cartridge.
7. Check the engine oil level.  
If it is low, supply engine oil until it reaches the specified level.

## Replacement of Fuel Filter

If dust or dirt accumulates in the fuel filter, the fuel flow will become insufficient. Replace the fuel filter at the appropriate times. The fuel filter is on the left side under the rear right of the seat.

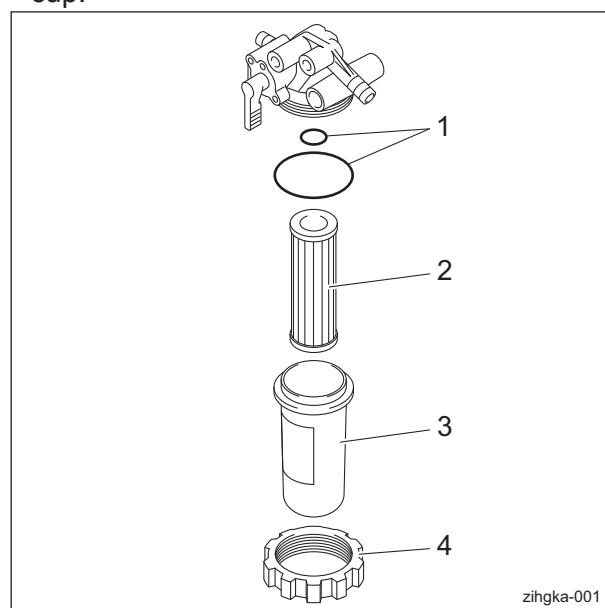
1. Close the fuel cock of the fuel filter.



Replacement of Fuel Filter\_001

- |   |             |
|---|-------------|
| 1 | Fuel filter |
| A | ON (open)   |
| B | OFF (close) |

2. Remove the ring nut, and then remove the cup.



Replacement of Fuel Filter\_002

# Maintenance

1	O-ring
2	Element
3	Cup
4	Ring nut

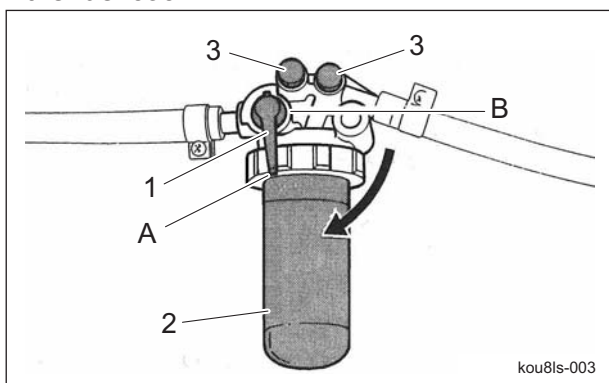
3. Clean the inside of the filter cup with diesel fuel.

### Important

During installation, prevent contamination with dirt or dust.

If the fuel is contaminated with dirt or dust etc., the fuel injection pump and injection nozzle will become worn.

4. Install a new fuel filter, and then correctly install all parts in their original positions.
5. Fill up the fuel tank with fuel, and then open the fuel cock.



Replacement of Fuel Filter\_003

1	Fuel cock
2	Fuel filter
3	Air-bleeding plug
A	ON (open)
B	OFF (close)

### Note:

Air bleeding is not required since it occurs automatically.

## Change of Fuse

### Fuse Box

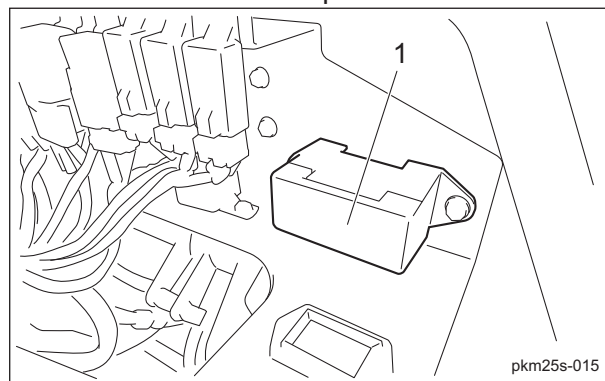
### Warning

Before performing maintenance on the electrical system, be sure to disconnect the negative terminal of the battery.

### Caution

If a fuse blows, a short may have occurred within the electrical circuit. Check for the cause, such as faulty terminal connections, damaged wiring or terminals, or incorrect wiring.

The fuse box includes spare fuses and tools.

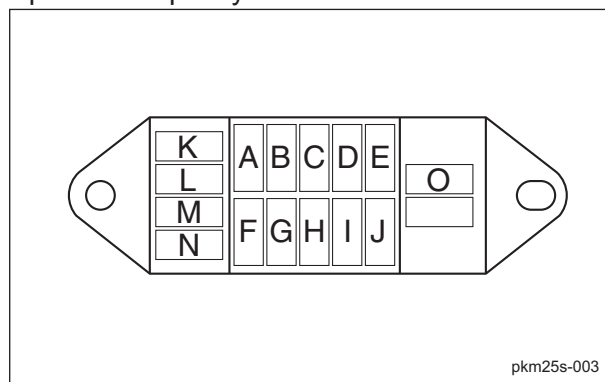


Fuse Box\_001

1	Fuse box
---	----------

The machine uses a mini fuse for automobiles.

Replace an old fuse with a new fuse of the specified capacity.



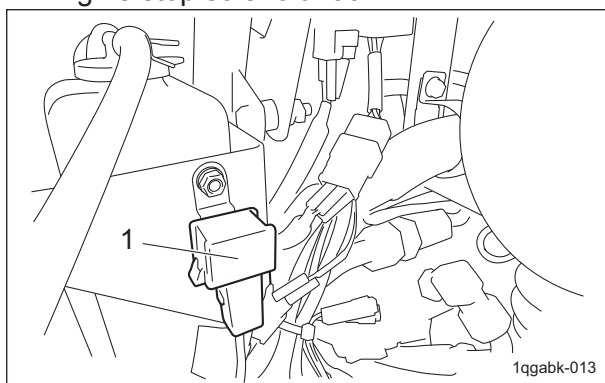
Fuse Box\_002

A	5 A	Glow lamp timer
B	5 A	Glow lamp
C	5 A	Charge lamp, oil pressure lamp (engine oil pressure lamp), water temperature gauge, buzzer, solenoid timer, hour meter, fuel gauge
D	15 A	Reel normal rotation solenoid, reel reverse rotation solenoid
E	15 A	(Unused)
F	10 A	Headlight
G	5 A	Glow lamp timer (start signal)
H	5 A	Alternator
I	5 A	Reel control signals (normal rotation, reverse rotation, stop)
J	5 A	Reel rotation/stop switch, seat switch delay timer, proximity switch
K	5 A	Spare
L	5 A	
M	10 A	
N	15 A	
O		Tool

### Fusible Link

Fuse capacities of the fusible links are 30 A and 50 A.

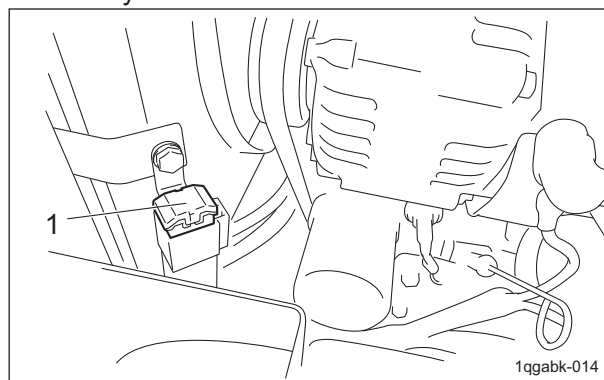
Engine stop solenoid: 30 A



Fusible Link\_001

1	Fusible link (30 A)
---	---------------------

Battery: 50 A



Fusible Link\_002

1	Fusible link (50 A)
---	---------------------

## Long-Term Storage

### Before Long-Term Storage

- Completely remove dirt, grass clippings, debris, oil stains, etc.
- Supply oil and apply grease to appropriate parts.
- Loosen the battery cutoff switch to disconnect the negative battery cable. Switch the ignition key to the "ON" position and check that the thermo-start lamp does not turn on.



**EU Declaration of Conformity**

## Product Identification

Product : Lawnmower  
Make : BARONESS  
Type : LM331  
Version(s) : Not Applicable  
Starting Serial No. : 10001  
Measured Sound Power Level : LWA 99.24 dB  
Guaranteed Sound Power Level : LWA 103 dB  
Manufacturer Name : Kyoeshisa Co., Ltd.  
Address : 1-26 Miyuki-cho, Toyokawa, Aichi-pref.,Japan

## Conforms to the following Directives

2006/42/EC Machinery (MD)  
2014/30/EU Electromagnetic compatibility (EMC)  
2000/14/EC Noise emissions from outdoor equipment

We has been designed and manufactured using the following specifications

ISO 12100 : 2010 (2006/42/EC)  
ISO 5395-1 : 2013 (2006/42/EC)  
ISO 5395-3 : 2013 (2006/42/EC)  
ISO 14982 : 1998 (2014/30/EU)

## Technical Documentation

Keeper's Name : Kyoeshisa Co., Ltd.  
Keeper's Address : 1-26 Miyuki-cho, Toyokawa, Aichi-pref.,Japan

## Compiler of the technical file (2006/42/EC)

Name: Kyoeshisa U.K.Ltd.  
Address: Unit 5 Hatch Industrial Park Grewell Road, Basingstoke Hampshire RG24 7NG, the United Kingdom

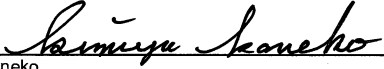
## Conformity assessment procedures

Internal production control : Module A (2006/42/EC)  
EC-type examination : Module B (2014/30/EU)  
Internal control of production with assessment of technical documentation and periodical checking (2000/14/EC)

## Involved Notified Body (2000/14/EC)

Name : SNCH  
Address : 11, Route de Sandweiler 5230 Sandweiler Luxembourg  
Certificate / Technical Documentation No. : SNCH\*2000/14\*2005/88\*3164\*00/TCLM331-00

Place : Japan  
Date : 8 January 2018 (8 / 1 / 2018)

Signature :   
Name : Kimiya Kaneko  
Position : Quality Dept. Manager

(fr)

**Déclaration de conformité UE**

## Identification du produit

Produit : Tondeuse à gazon  
Fabriquant : BARONESS  
Type : LM331  
Version(s) : Non applicable  
Numéro de série de début : 10001  
Niveau de puissance acoustique mesuré : LwA 99.24 dB  
Niveau de puissance acoustique garanti : LwA 103 dB  
Fabricant Nom : Kyoeshisa Co., Ltd.  
Adresse : 1-26, Miyuki-cho, Toyokawa, préfecture d'Aichi, Japon

## Conforme aux directives suivantes :

2006/42/CE Machine (MD)  
2014/30/UE Compatibilité électromagnétique (CEM)  
2000/14/CE Émissions sonores de l'équipement de plein air

## Conception et fabrication en respect des spécifications suivantes :

ISO 12100 : 2010 (2006/42/CE)  
ISO 5395-1 : 2013 (2006/42/CE)  
ISO 5395-3 : 2013 (2006/42/CE)  
ISO 14982 : 1998 (2014/30/UE)

## Fiche technique

Marque : Kyoeshisa Co., Ltd.  
Adresse de la marque : 1-26, Miyuki-cho, Toyokawa, préfecture d'Aichi, Japon

## Compilateur de la fiche technique (2006/42/CE)

Nom : Kyoeshisa U.K. Ltd.  
Adresse : Unit 5 Hatch Industrial Park Greywell Road, Basingstoke Hampshire RG24 7NG, Royaume-Uni

## Procédures d'évaluation de la conformité

Contrôle de production interne : module A (2006/42/CE)  
Examen de type CE : module B (2014/30/UE)  
Contrôle interne de la production avec évaluation de la fiche technique et vérification périodique (2000/14/CE)

## Organisme notifié impliqué (2000/14/CE)

Nom : SNCH  
Adresse : 11, Route de Sandweiler 5230 Sandweiler, Luxembourg  
N° de certificat/Documentation technique : SNCH\*2000/14\*2005/88\*3164\*00/TCLM331-00

## Declaración de conformidad de la UE

### Identificación del producto

Producto: Cortacésped  
 Marca: BARONESS  
 Tipo: LM331  
 Versión: No aplicable  
 N.º de serie inicial: 10001  
 Nivel de potencia sonora medido: LWA 99.24 dB  
 Nivel de potencia sonora garantizado: LWA 103 dB  
 Fabricante Nombre: Kyoisha Co., Ltd.  
 Dirección: 1-26 Miyuki-cho, Toyokawa, Aichi-pref., Japón

### Cumple las siguientes Directivas

2006/42/CE Maquinaria (MD)  
 2014/30/UE Compatibilidad electromagnética (EMC)  
 2000/14/CE Emisiones sonoras de máquinas de uso al aire libre

### Se ha diseñado y fabricado utilizando las siguientes especificaciones

ISO 12100 : 2010 (2006/42/CE)  
 ISO 5395-1 : 2013 (2006/42/CE)  
 ISO 5395-3 : 2013 (2006/42/CE)  
 ISO 14982 : 1998 (2014/30/UE)

### Documentación técnica

Nombre del responsable: Kyoisha Co., Ltd.  
 Dirección del responsable: 1-26 Miyuki-cho, Toyokawa, Aichi-pref., Japón

### Compilador del archivo técnico (2006/42/CE)

Nombre: Kyoisha U.K. Ltd.  
 Dirección: Unit 5 Hatch Industrial Park Greywell Road, Basingstoke Hampshire RG24 7NG, Reino Unido

### Procedimientos de evaluación de conformidad

Control de fabricación interno: Módulo A (2006/42/CE)  
 Examen de tipo CE: Módulo B (2014/30/UE)  
 Control interno de fabricación con evaluación de documentación técnica y comprobaciones periódicas (2000/14/CE)

### Organismo notificado implicado (2000/14/CE)

Nombre: SNCH  
 Dirección: 11, Route de Sandweiler 5230 Sandweiler Luxemburgo  
 Certificado/Documentación técnica n.º: SNCH\*2000/14\*2005/88\*3164\*00/TCLM331-00

## EU-Konformitätserklärung

### Produktbeschreibung

Produkt: Rasenmäher  
 Marke: BARONESS  
 Modell: LM331  
 Version(en): Nicht zutreffend  
 Startseriennummer: 10001  
 Gemessener Schalleistungspegel: LWA 99.24 dB  
 Garantierter Schalleistungspegel: LWA 103 dB  
 Hersteller Name: Kyoisha Co., Ltd.  
 Adresse: 1-26 Miyuki-cho, Toyokawa, Aichi-pref., Japan

### Entspricht den folgenden Richtlinien

2006/42/EG Maschinenrichtlinie  
 2014/30/UE Elektromagnetische Verträglichkeit (EMV)  
 2000/14/EG Geräuschemission von im Freien betriebenen Geräten

### Unter Anwendung der folgenden Bestimmungen entwickelt und hergestellt

ISO 12100 : 2010 (2006/42/EG)  
 ISO 5395-1 : 2013 (2006/42/EG)  
 ISO 5395-3 : 2013 (2006/42/EG)  
 ISO 14982 : 1998 2014/30/UE

### Technische Dokumentation

Name des Halters: Kyoisha Co., Ltd.  
 Adresse des Halters: 1-26 Miyuki-cho, Toyokawa, Aichi-pref., Japan

### Technische Unterlagen erstellt von (2006/42/EG)

Name: Kyoisha U.K.Ltd.  
 Adresse: Unit 5 Hatch Industrial Park Grewell Road, Basingstoke Hampshire RG24 7NG, Großbritannien

### Konformitätsbewertungsverfahren

Interne Produktionskontrolle : Modul A (2006/42/EG)  
 EG-Baumusterprüfung : Modul B (2014/30/UE)  
 Interne Produktionskontrolle mit Bewertung der technischen Unterlagen und regelmäßiger Überprüfung (2000/14/EG)

### Beteiligte benannte Stelle (2000/14/EG)

Name: SNCH  
 Adresse: 11, Route de Sandweiler 5230 Sandweiler Luxemburg  
 Bescheinigung/Technische Dokumentation Nr.: SNCH\*2000/14\*2005/88\*3164\*00/TCLM331-00

## EU-försäkran om överensstämmelse

### Produktidentifikation

Produkt : Gräsklippare  
Märke: BARONESS  
Typ: LM331  
Version(er): Ej aktuellt  
Serienummer startar på: 10001  
Uppmätt ljudeffektnivå: LWA 99.24 dB  
Garanterad ljudeffektnivå: LWA 103 dB  
Tillverkare Namn: Kyoisha Co., Ltd.  
Address: 1-26 Miyuki-cho, Toyokawa, Aichi-pref., Japan

### Uppfyller följande direktiv

2006/42/EG Maskindirektivet  
2014/30/EU Elektromagnetisk kompatibilitet (EMC)  
2000/14/EG Bulleremission från utomhusutrustning

### Följande kravspecifikationer har följts vid konstruktion och tillverkning

ISO 12100 : 2010 (2006/42/EG)  
ISO 5395-1 : 2013 (2006/42/EG)  
ISO 5395-3 : 2013 (2006/42/EG)  
ISO 14982 : 1998 (2014/30/EU)

### Teknisk dokumentation

Innehavarens namn: Kyoisha Co., Ltd.  
Innehavarens adress: 1-26 Miyuki-cho, Toyokawa, Aichi-pref., Japan

### Den tekniska filen(2006/42/EG) har tagits fram av

Namn: Kyoisha U.K.Ltd.  
Adress: Unit 5 Hatch Industrial Park Grewell Road, Basingstoke Hampshire RG24 7NG, Storbritannien

### Förfarande för bedömning av överensstämmelse

Intern produktionskontroll: Modul A (2006/42/EG)  
EG-typprovning: Modul B (2014/30/EU)  
Intern kontroll av produktion med fastställande av teknisk dokumentation och periodiska kontroller (2000/14/EG)

### Anmält organ (2000/14/EG)

Namn: SNCH  
Adress: 11, Route de Sandweiler 5230 Sandweiler Luxembourg  
Certifikat/Teknisk dokumentation nummer: SNCH\*2000/14\*2005/88\*3164\*00/TCLM331-00

**BARONESS**<sup>®</sup>  
Quality on Demand

 **KYOEISHA CO., LTD.**  
Head Office 1-26, Miyuki-cho, Toyokawa, Tel : (0533) 84-1390  
Aichi-Pref. 442-8530 Japan. Fax : (0533) 89-3623