

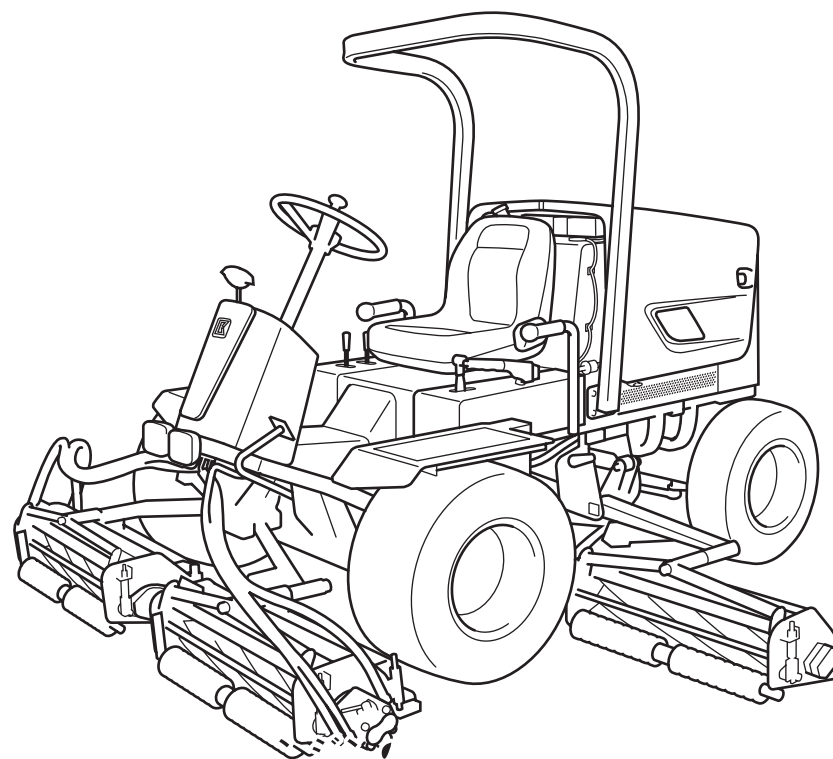
**BARONNESS**<sup>®</sup>

Reel Mower

**LM285**

5-Reel Gang Rough Mowers

## Parts catalog



Serial No.10134~

**BARONNESS**<sup>®</sup>

Quality on Demand

Ver.1.3

# Contents

PARTS CATALOGUE .....	2
101. Frame parts .....	3
102. Cover parts (Front) .....	7
103. Cover parts (Rear) .....	9
104. Front wheel parts.....	11
105. Rear wheel parts .....	13
106. Pedal parts .....	15
107. Engine parts .....	17
108. Radiator parts .....	21
109. Hydraulic parts A(Cylinder system) .....	25
110. Hydraulic parts A(Power steering system) .....	29
111. Hydraulic parts B/TYPE_R (Reel motor system).....	31
113. Hydraulic parts C (Front wheel motor system) .....	33
114. Hydraulic parts C (Rear wheel motor system).....	37
115. Mower lift arm parts/TYPE_R.....	39
117. Mower parts/TYPE_R (#1) .....	41
118. Mower parts/TYPE_R (#2·#5) .....	45
119. Mower parts/TYPE_R (#3·#4) .....	49
123. Wheel parts .....	51
124. Roller Ass'y parts .....	53
125. Accessory parts .....	55
126. Option .....	57

## Greeting

Thank you for purchasing Baroness machine.  
We hope you will use the machine safely, and take advantage of its best performance.

(For inquiry about this machine)

Since the type of machine may be changed sequentially, inform us of the type and the serial number.

### Note

The information described in this manual is subject to change without prior notice.

When replacing parts, be sure to use Baroness parts or parts designated by Kyo-eisha.

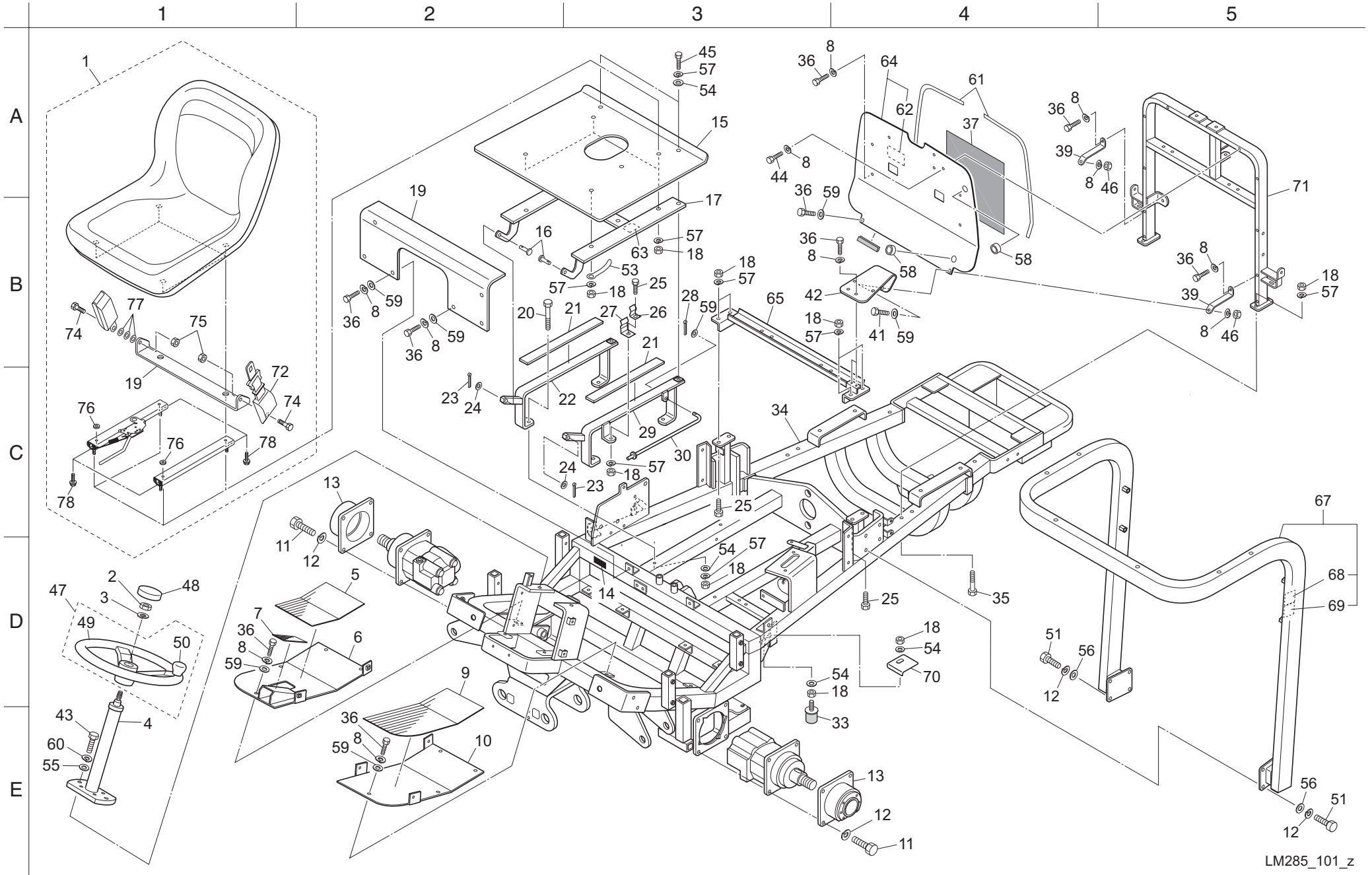
Note that the Baroness product warranty may not apply to defects caused by the use of parts from other companies.

(For ordering parts)

For prevention of delivery of wrong parts, be sure to inform us of the code number and the part name.

Example:	Code No.	Part Name	Qty
	LM285--0601ZD	FRAME	1

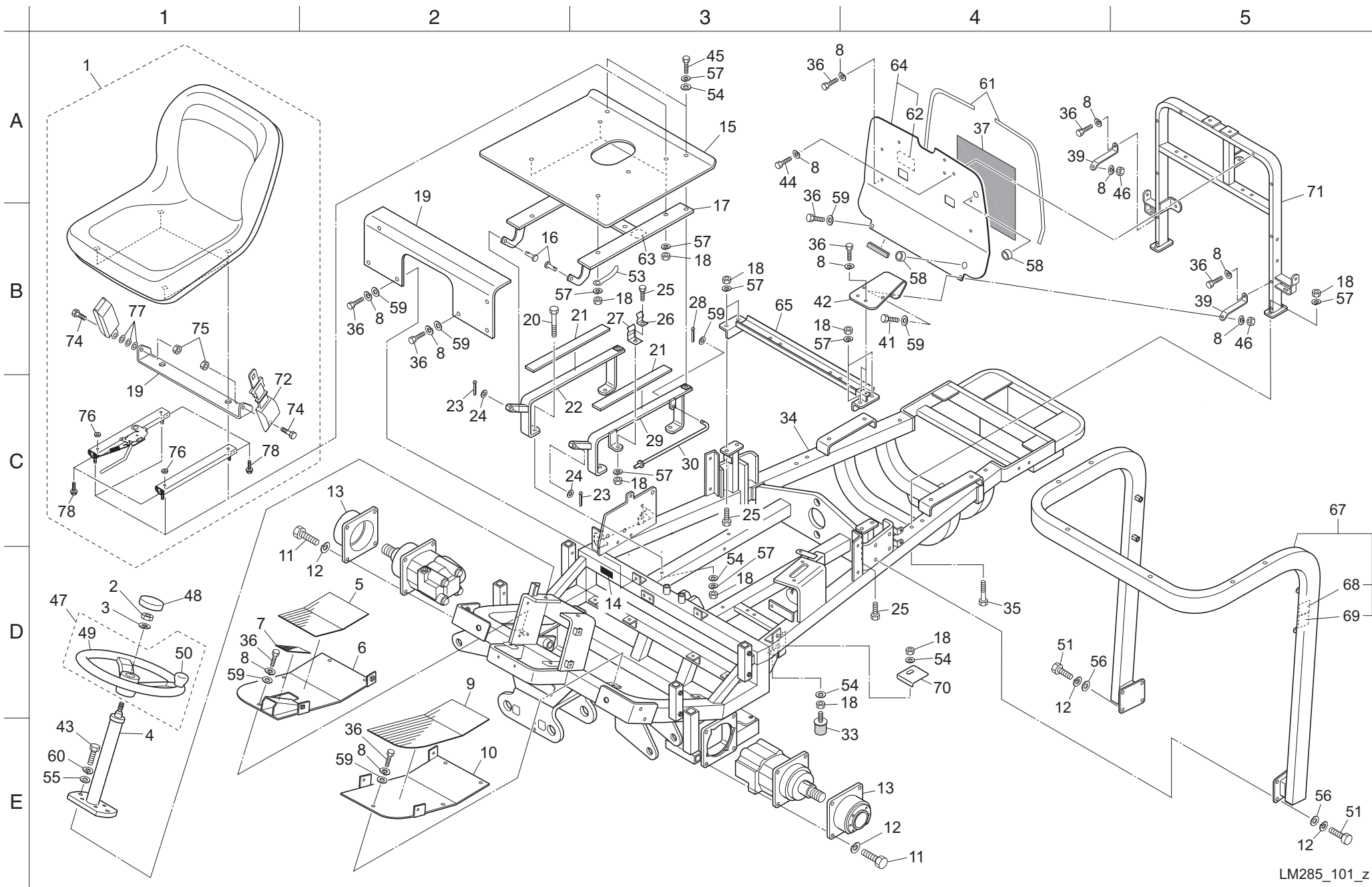
# 101. Frame parts



Cat No.	Code No.	Part name	Qty	Remark	SN of application
101-1	K1700000290	SEAT, WITH SWITCH SPACER ASSY	1		
101-2	K0103140002	NUT, M14 PITCH 1.5	1		
101-3	K0200140002	SPRING WASHER, M14	1		
101-4	K1730000010	COLUMN, STEERING	1		
101-5	LM318--0623Z0	RUBBER, PLATE FOR STEP (RIGHT)	1		
101-6	LM318--0648ZD	STEP (RIGHT)	1		
101-7	LM318--0625Z0	RUBBER, PLATE FOR PEDAL STEP	1		
101-8	K0200060002	SPRING WASHER, M6	21		
101-9	LM318--0608Z0	RUBBER, PLATE FOR STEP (LEFT)	1		
101-10	LM318--0647ZD	STEP (LEFT)	1		
101-11	K0010120602	BOLT, HEAT-TREATED M12-60	8		
101-12	K0200120002	SPRING WASHER, M12	16		
101-13	LM318--0609ZD	HOUSING, HYDRAULIC MOTOR	2		
101-14	K4203001290	DECAL, STOP VALVE OPERATION	1		
101-15	LM285--0959ZD	COVER, UNDER SEAT	1		
101-16	K6030100322	PIN, FLAT HEAD M10-32	2		
101-17	LM282--0646AD	PLATE, FOR MOUNTING SEAT	1		
101-18	K0100080002	NUT, M8	17		
101-19	LM282--0958ZD	COVER, (FRONT CENTER)	1		
101-20	K0000080602	BOLT, M8-60	4		
101-21	LM282--0606Z0	RUBBER, FOR SEAT BASE	2		
101-22	LM282--0605BD	FITTING, MOUNTING SEAT (RIGHT)	1		
101-23	K0300025202	COTTER PIN, 2.5-20	2		
101-24	K5011010162	WASHER, SPCC 1-10-16	2		
101-25	K0000080202	BOLT, M8-20	5		
101-26	K1090000108	RECEIVER, ROD B	1		
101-27	K5270002052	RECEIVER, ROD A	1		
101-28	K0300016122	COTTER PIN, 1.6-12	1		
101-29	LM282--0603BD	FITTING, MOUNTING SEAT (LEFT)	1		
101-30	MS400--0521Z2	STAND	1		
101-31					
101-32					
101-33	K4049030000	RUBBER, STOPPER KI-30	2		
101-34	LM285--0601AD	FLAME	1		
101-35	K0003080702	BOLT, M8-70	4		

Cat No.	Code No.	Part name	Qty	Remark	SN of application
101-36	K0000060152	BOLT, M6-15	15		
101-37	LM318--0630Z0	INSULATOR, FOR FUEL TANK	1		
101-38					
101-39	LM318--0621ZD	SUPPORT, ANTI WIND PLATE	2		
101-40					
101-41	K0000060202	BOLT, M6-20	1		
101-42	LM318--0637ZD	MOUNT, FOR FUEL PUMP	1		
101-43	K0000100302	BOLT, M10-30	2		
101-44	K0000060102	BOLT, M6-10	6		
101-45	K0000080252	BOLT, M8-25	3		
101-46	K0100060002	NUT, M6	2		
101-47	K1710000070	STEERING, WITH.KNOB.V027220-0000	1		
101-48	K1310000130	CAP, RUBBER	1		
101-49	K1710000080	STEERING, V02722-0101	1		
101-50	K1710000090	KNOB, V027220-0200 ASSY	1		
101-51	K0010120402	BOLT, HEAT-TREATED M12-40	8		
101-52					
101-53	K4281000020	CLAMP, 8.5 80	1		
101-54	K5000080002	WASHER, M8	10		
101-55	K5000100002	WASHER, M10	2		
101-56	K5000120002	WASHER, M12	8		
101-57	K0200080002	SPRING WASHER, M8	19		
101-58	K0910000100	GROMMET C30NG79L	2		
101-59	K5000060002	WASHER, M6	12		
101-60	K0200100002	SPRING WASHER, M10	2		
101-61	K3198108200	TRIM SEAL, 6100-16C-820	2		
101-62	K4205001540	DECAL, CAUTION TO HOT PARTS	1		
101-63	K4209001180	DECAL, ARROW POINT	1		
101-64	LM285--0671Z0	PLATE, WIND SHIELDING WITH MARK	1		
101-65	LM285--0621ZD	STAY, FOR TANK	1		
101-66					
101-67	K9310000030	ROPS, 2 POST WITH MARK	1		
101-68	K4209001350	DECAL, ROPS CERTIFICATION	1		
101-69	K4205001710	DECAL, CAUTION TO ROPS	1		
101-70	LM285--0653ZD	PLATE, L SHAPED	1		

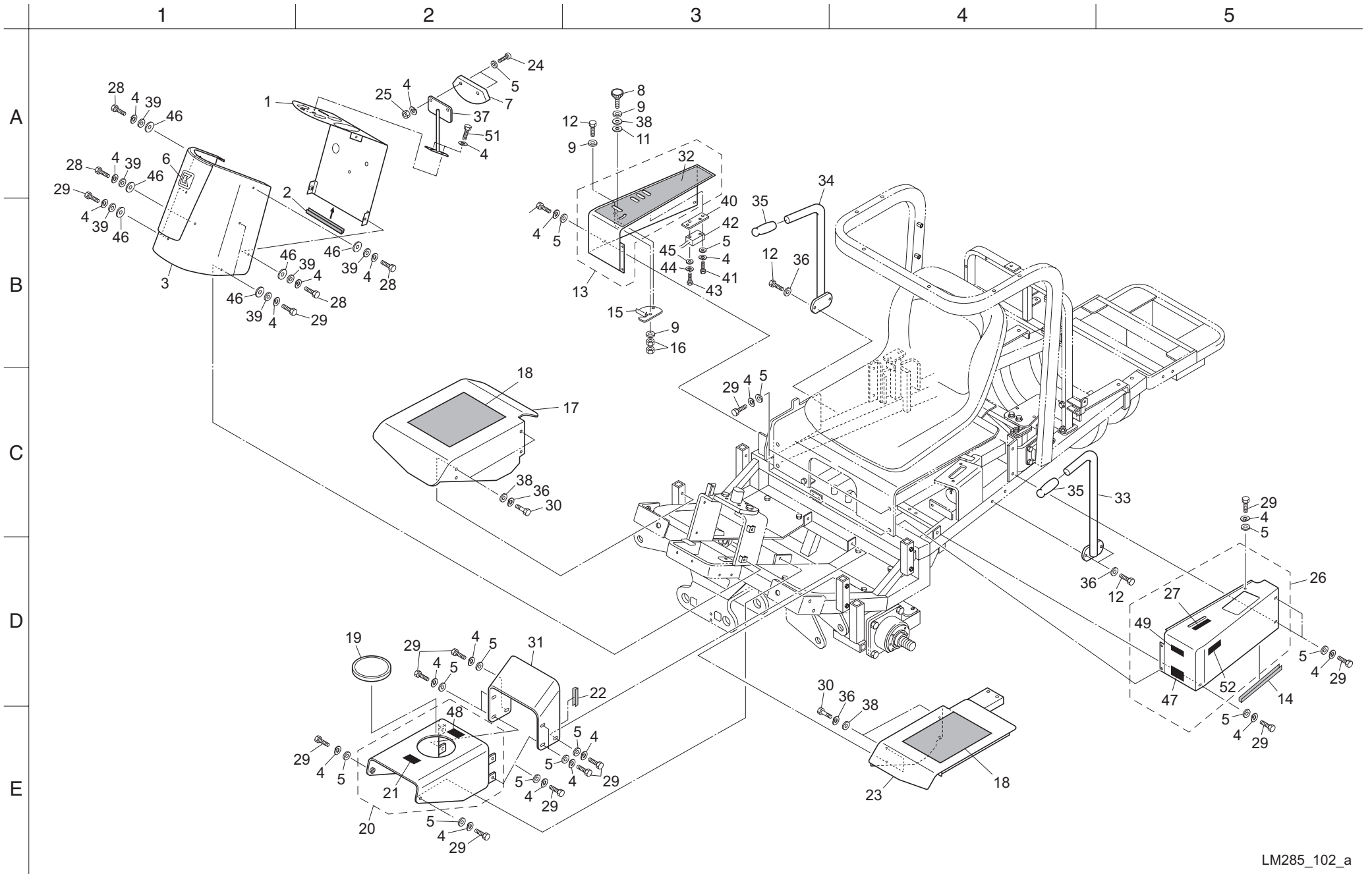
101. Frame parts



Cat No.	Code No.	Part name	Qty	Remark	SN of application
101-71	LM285--0619ZD	FITTING, MOUNTING TANK	1		
101-72	K1701000100	SEAT BELT	1		
101-73	K1701000110	BRACKET, XB-180 SEAT BELT	1		
101-74	K0011120252	BOLT, HEAT-TREATED M12-25 PITCH 1.5	2		
101-75	K0145120002	NUT, WITH FRICTION RING, M12 PITCH 1.5	2		
101-76	K5074510262	WASHER, SPHC 4.5-10-26	2		
101-77	K5012013322	WASHER, SPCC 2-12.8-32	3		
101-78	K0021080302	BOLT, WITH FLANGE M8-30	4		

Cat No.	Code No.	Part name	Qty	Remark	SN of application

102. Cover parts (Front)

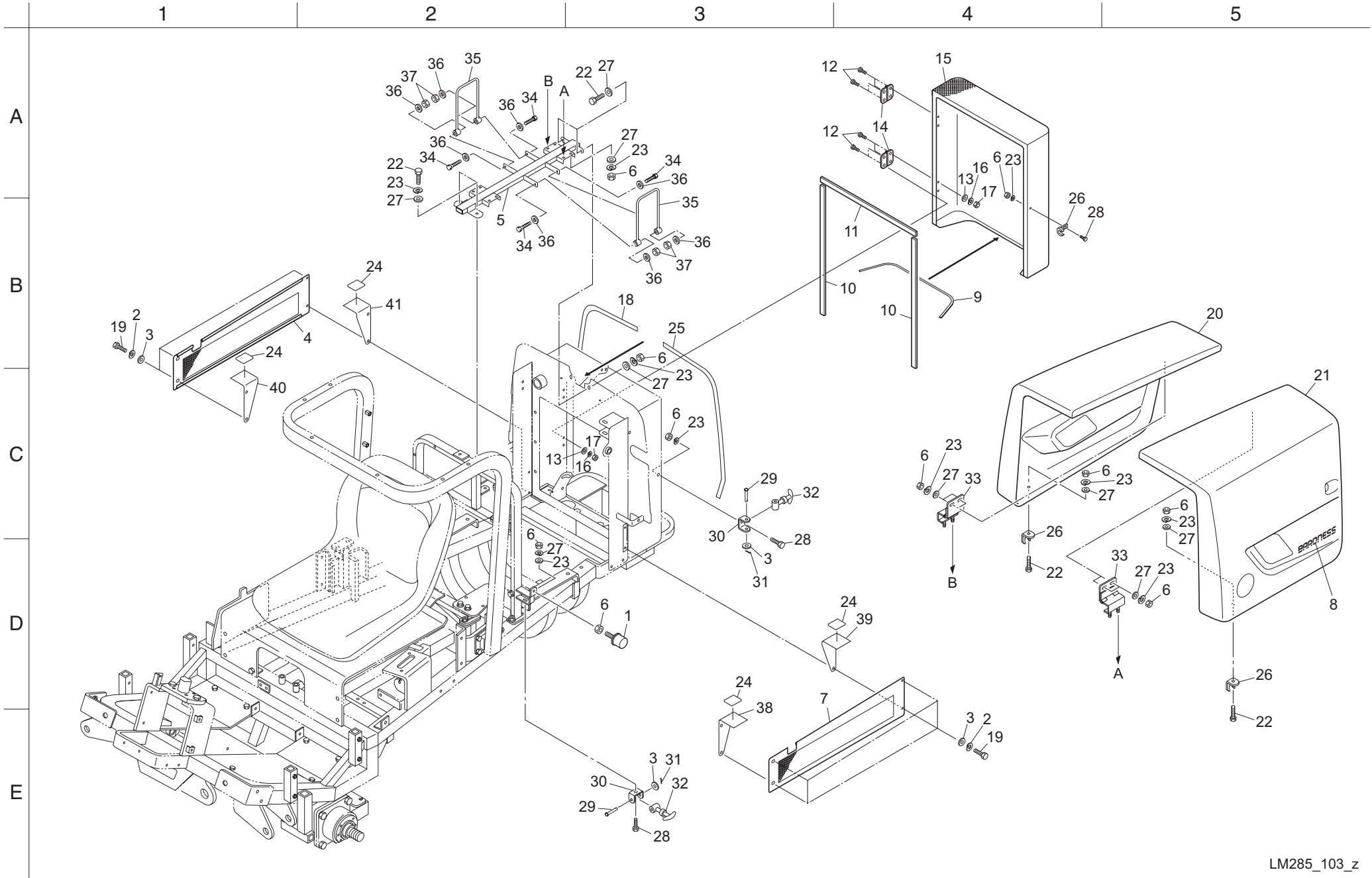




Cat No.	Code No.	Part name	Qty	Remark	SN of application
102-1	LM285-0957ZD	PANEL, METER	1		
102-2	K3197002550	REGULAR TRIM, SMALL 255	1		
102-3	LM285-0906A0	COVER, (FRONT) COMP	1		
102-4	K0200060002	SPRING WASHER, M6	31		
102-5	K5000060002	WASHER, M6	21		
102-6	K4201000590	MARK, K	1		
102-7	K3654000010	GAUGE, ANGLE	1		
102-8	K1320000030	KNOB, WITH M8 4215	1		
102-9	K0210080002	DISC SPRING, LIGHT LOADING M8	3		
102-10					
102-11	K4015108180	PACKING, FIBER 1-8.5-18	1		
102-12	K0000080202	BOLT, M8-20	5		
102-13	LM285-0972Z0	COVER, (FRONT RIGHT) COMP	1		
102-14	K3197002000	REGULAR TRIM, SMALL 200	1		
102-15	LM285-0961ZD	STOPPER	1		
102-16	K0100080002	NUT, M8	2		
102-17	LM282-7504ZR	COVER, WHEEL (RIGHT)	1		
102-18	LM318-0965Z0	SHEET, SLIP PROOF	2		
102-19	K0900301200	GROMMET, WITH THIN FILM C30SG120A	1		
102a-20	LM285-0968Z0	COVER, WITH MARK (CENTER FRONT)	1		
102-21	K4209000980	DECAL, HYDRAULIC OIL	1		
102-22	K3197000500	REGULAR TRIM, SMALL 50	1		
102-23	LM285-0951ZR	COVER, WHEEL (LEFT)	1		
102-24	K0042060252	SCREW, ROUND HEAD WITH + M6-25	2		
102-25	K0100060002	NUT, M6	2		
102-26	LM285-0971Z0	COVER, (FRONT LEFT) COMP	1		
102-27	K4203001220	DECAL, ENGINE ROTATION	1		
102-28	K0000060202	BOLT, M6-20	4		
102-29	K0000060152	BOLT, M6-15	23		
102-30	K0000080502	BOLT, M8-50	8		
102-31	LM318-0959ZD	COVER, CENTER REAR	1		
102-32	LM285-0967Z0	DECAL, OPERATING LEVER	1		
102-33	LM285-0651ZD	HAND REST (LEFT)	1		
102-34	LM285-0652ZD	HAND REST (RIGHT)	1		
102-35	K1300000020	GRIP, 25.4	2		

Cat No.	Code No.	Part name	Qty	Remark	SN of application
102-36	K0200080002	SPRING WASHER, M8	12		
102-37	LM285-2201ZD	PLATE, WITH STAY	1		
102-38	K5000080002	WASHER, M8	9		
102-39	K5011606202	WASHER, SPCC 1.6-6-20	8		
102-40	LM285-0962Z2	PLATE, MOUNTING SWITCH	1		
102-41	K0000060102	BOLT, M6-10	2		
102-42	K3670000130	SWITCH, LIMIT AZ3725-1	1		
102-43	K0042040252	SCREW, ROUND HEAD WITH + M4-25	2		
102-44	K0200040002	SPRING WASHER, M4	2		
102-45	K5000040002	WASHER, M4	2		
102-46	K4030306200	RUBBER, WASHER 3-6.5-20	8		
102-47	K4200000320	DECAL, SPECIFICATION LM285	1		
102a-48	K4209001340	DECAL, CAUTION TO HOT PARTS	1		
102-49	K4205001290	DECAL, NOTICE NOISE LEVEL LWA 103	1		
102-50					
102-51	K0060060120	BOLT, STAINLESS WITH HEX. HOLE M6-12	2		
102-52	K4200000320	DECAL, CAUTION TO HOT PARTS	1		

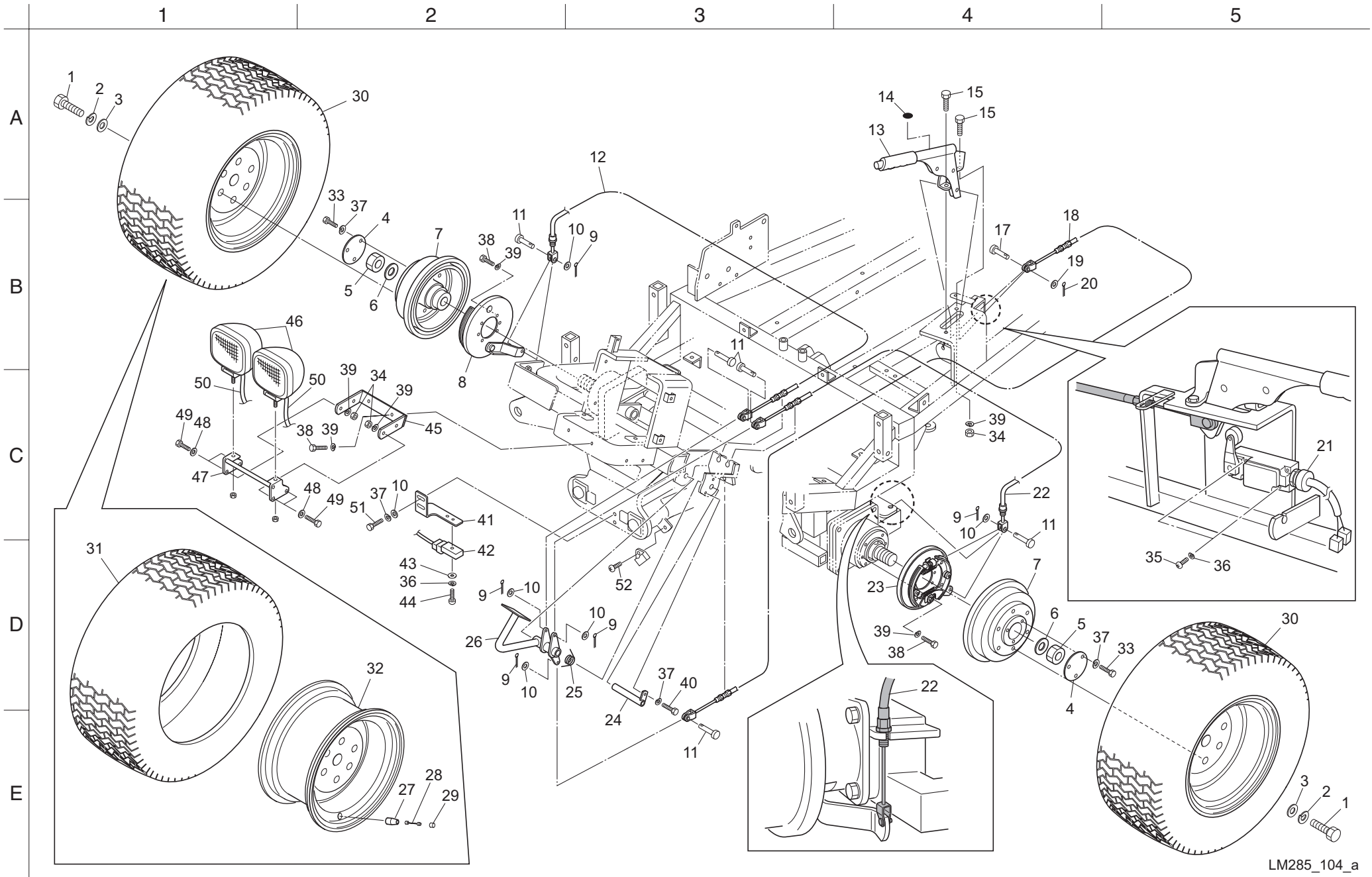
### 103. Cover parts (Rear)



Cat No.	Code No.	Part name	Qty	Remark	SN of application
103-1	K4049030000	RUBBER, STOPPER KI-30	2		
103-2	K0200060002	SPRING WASHER, M6	8		
103-3	K5000060002	WASHER, M6	11		
103-4	LM285--0939ZD	SIDE COVER (R)	1		
103-5	LM285--0660ZD	FITTING, MOUNTING HOOD	1		
103-6	K0100080002	NUT, M8	26		
103-7	LM285--0938ZD	SIDE COVER (L)	1		
103-8	K4201000330	MARK, BARONESS 240S	2		
103-9	K3197005700	REGULAR TRIM, SMALL 570	1		
103-10	K4228000090	SPONGE, RUBBER 5-15-590	2		
103-11	K4228000100	SPONGE, RUBBER 5-15-500	1		
103-12	K0000050122	BOLT, M5-12	8		
103-13	K5000050002	WASHER, M5	8		
103-14	K4520000210	HINGE, RESIN WITH HOLE 5.2-75	2		
103-15	LM285--0940ZD	COVER, RADIATOR	1		
103-16	K0200050002	SPRING WASHER, M5	8		
103-17	K0100050002	NUT, M5	8		
103-18	K3198305200	TRIM SEAL, 6100-32C-520	1		
103-19	K0000060152	BOLT, M6-15	8		
103-20	LM285--0905Z0	FOOD, (RIGHT) COMP	1		
103a-21	LM285--0904Z0	FOOD (LEFT)	1		
103-22	K0000080202	BOLT, M8-20	6		
103-23	K0200080002	SPRING WASHER, M8	26		
103-24	K4033000430	RUBBER, PLATE 1-3045	4		
103-25	K3198304400	TRIM SEAL, 6100-32C-440	1		
103-26	K5270002352	RECEIVER, RUBBER HOOK	3		
103-27	K5000080002	WASHER, M8	24		
103-28	K0000080152	BOLT, M8-15	4		
103-29	K6030060352	PIN, FLAT HEAD M6-35	3		
103-30	K5200000102	BRACKET, RUBBER HOOK	3		
103-31	K0300016202	COTTER PIN, 1.6-20	3		
103-32	K1520000090	RUBBER HOOK, SMALL	3		
103-33	GM2800-0920Z0	HINGE ASSY	4		
103-34	K0000100402	BOLT, M10-40	4		
103-35	GM1500-0932B2	STAY, FOR HOOD	2		

Cat No.	Code No.	Part name	Qty	Remark	SN of application
103-36	K5000100002	WASHER, M10	8		
103-37	K0144100002	NUT, WITH FRICTION RING, M10	4		
103-38	LM285--0965ZD	STAY, (LEFT FRONT)	1		
103-39	LM285--0963ZD	STAY, (LEFT REAR)	1		
103-40	LM285--0966ZD	STAY, (RIGHT FRONT)	1		
103-41	LM285--0964ZD	STAY, (RIGHT REAR)	1		

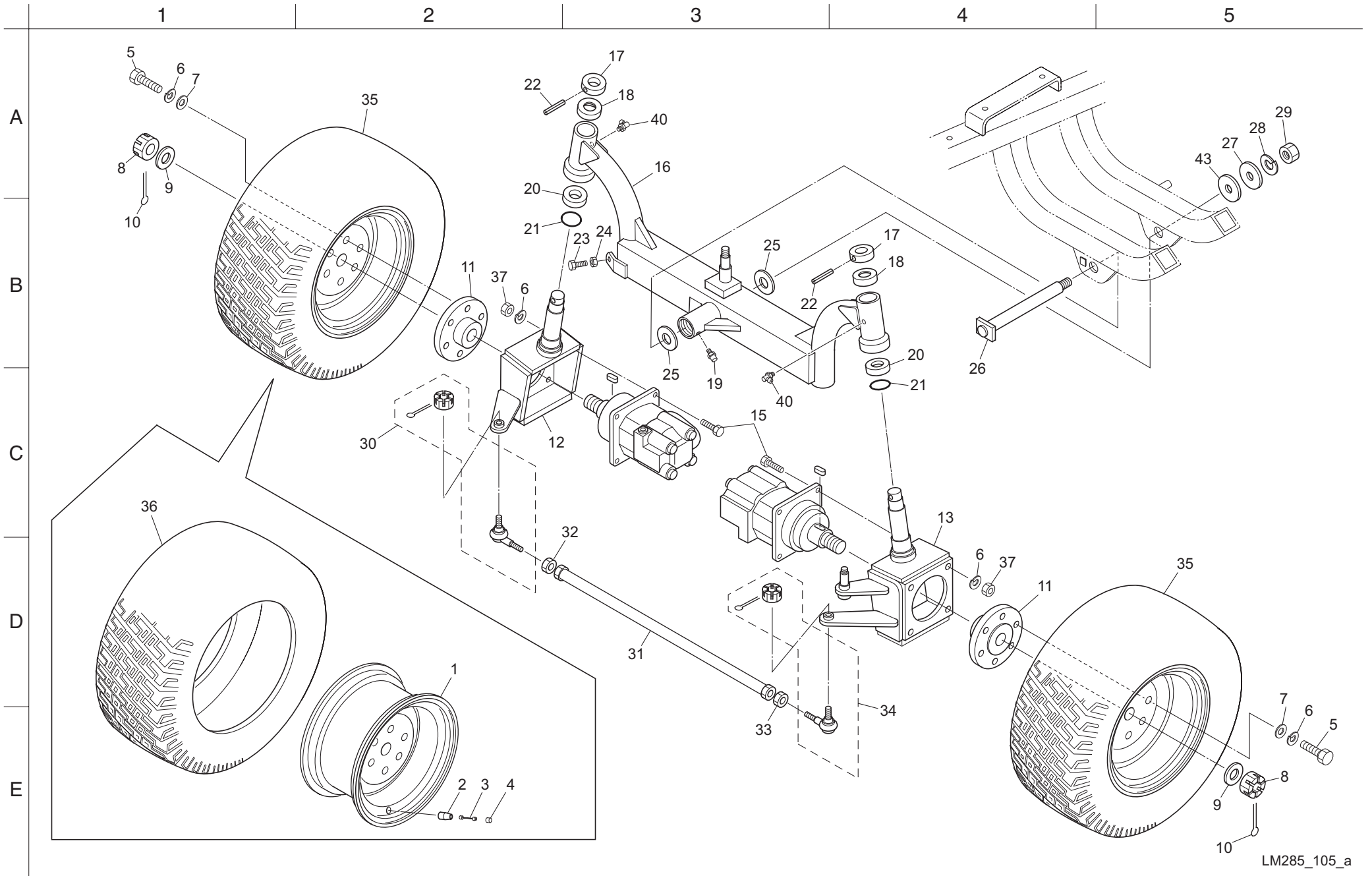
104. Front wheel parts



Cat No.	Code No.	Part name	Qty	Remark	SN of application
104-1	K0011120302	BOLT, HEAT-TREATED M12-30 PITCH 1.5	12		
104-2	K0200120002	SPRING WASHER, M12	12		
104-3	K5074512252	WASHER, SPHC 4.5-12-25	12		
104-4	K517000012D	PLATE, COVER	2		
104-5	K0160000492	NUT, SPECIAL TYPE M24 PITCH 1.5	2		
104-6	K0214240001	WASHER, DISK SPRING TYPE 2 LIGHT LOAD M24	2		
104-7	K6909000232	BASE, WHEEL MOUNTING	2		
104-8	K1720000210	BRAKE, WITH LEVER (RIGHT) ASSY	1		
104-9	K0300016202	COTTER PIN, 1.6-20	5		
104-10	K5000060002	WASHER, M6	7		
104-11	K6031060172	PIN, HARDENED FLAT-HEAD M6-17	5		
104-12	K1120125000	WIRE, BRAKE 1250	1		
104-13	K1724000020	LEVER, SIDE BRAKE ASSY	1		
104-14	K4209001200	DECAL, BRAKE	1		
104-15	K0000080202	BOLT, M8-20	2		
104-16					
104-17	K6030120242	PIN, FLAT HEAD M12-24	1		
104-18	K1120141010	WIRE, BRAKE 1410	1		
104-19	K5000120002	WASHER, M12	1		
104-20	K0300020202	COTTER PIN, 2-20	1		
104-21	K3670000120	SWITCH, LIMIT D4A-4717N	1		
104-22	K1120107000	WIRE, BRAKE 1070	1		
104-23	K1720000200	BRAKE, WITH LEVER (LEFT) ASSY	1		
104-24	LM282--0802Z2	SHAFT, FOR PEDAL	1		
104-25	K1050000068	COIL SPRING	1		
104-26	LM282--0817Z3	PEDAL, BRAKE	1		
104-27	K2097000010	VALVE, RIM TR413	2		
104-28	K2092000020	CORE, VALVE NO.9000	2		
104-29	K2093000010	CAP, VALVE	2		
104-30	K2040000600	TIRE, M40B-23 X 1050-12 ASSY	2	TYPE R	
104-31	K2041000360	TIRE, M40B-23 X 1050-12	2	TYPE R	
104-32	K209000081L	WHEEL, 8.5JA X 12WDC	2	TYPE R	
104-33	K0000060102	BOLT, M6-10	6		
104-34	K0100080002	NUT, M8	6		
104-35	K0042050402	SCREW, ROUND HEAD WITH + M5-40	2		

Cat No.	Code No.	Part name	Qty	Remark	SN of application
104-36	K0200050002	SPRING WASHER, M5	3		
104-37	K0200060002	SPRING WASHER, M6	9		
104-38	K0000080152	BOLT, M8-15	14		
104-39	K0200080002	SPRING WASHER, M8	20		
104-40	K0000060202	BOLT, M6-20	1		
104-41	LM285--0207ZD	PLATE, MOUNTING SENSOR	1		
104-42	K3720000140	SWITCH, PROXIMITY NC	1		
104-43	K5000050002	WASHER, M5	1		
104-44	K0000050202	BOLT, M5-20	1		
104-45	LM285--1102ZD	STAY, LIGHT	1		
104-46	K3640000070	LAMP, WORKING WL-B220A	2		
104-47	LM2700-1701ZD	BRACKET, LIGHT	1		
104-48	K5000080002	WASHER, M8	4		
104-49	K0000080252	BOLT, M8-25	4		
104-50	K3194001000	CORRUGATE TUBE, 7-100	2		
104-51	K0000060152	BOLT, M6-15	2		
104-52	K0048050102	SCREW, ROUND HEAD WITH + M5-10S	1		
104a-53					
104a-54					
104a-55					

105. Rear wheel parts

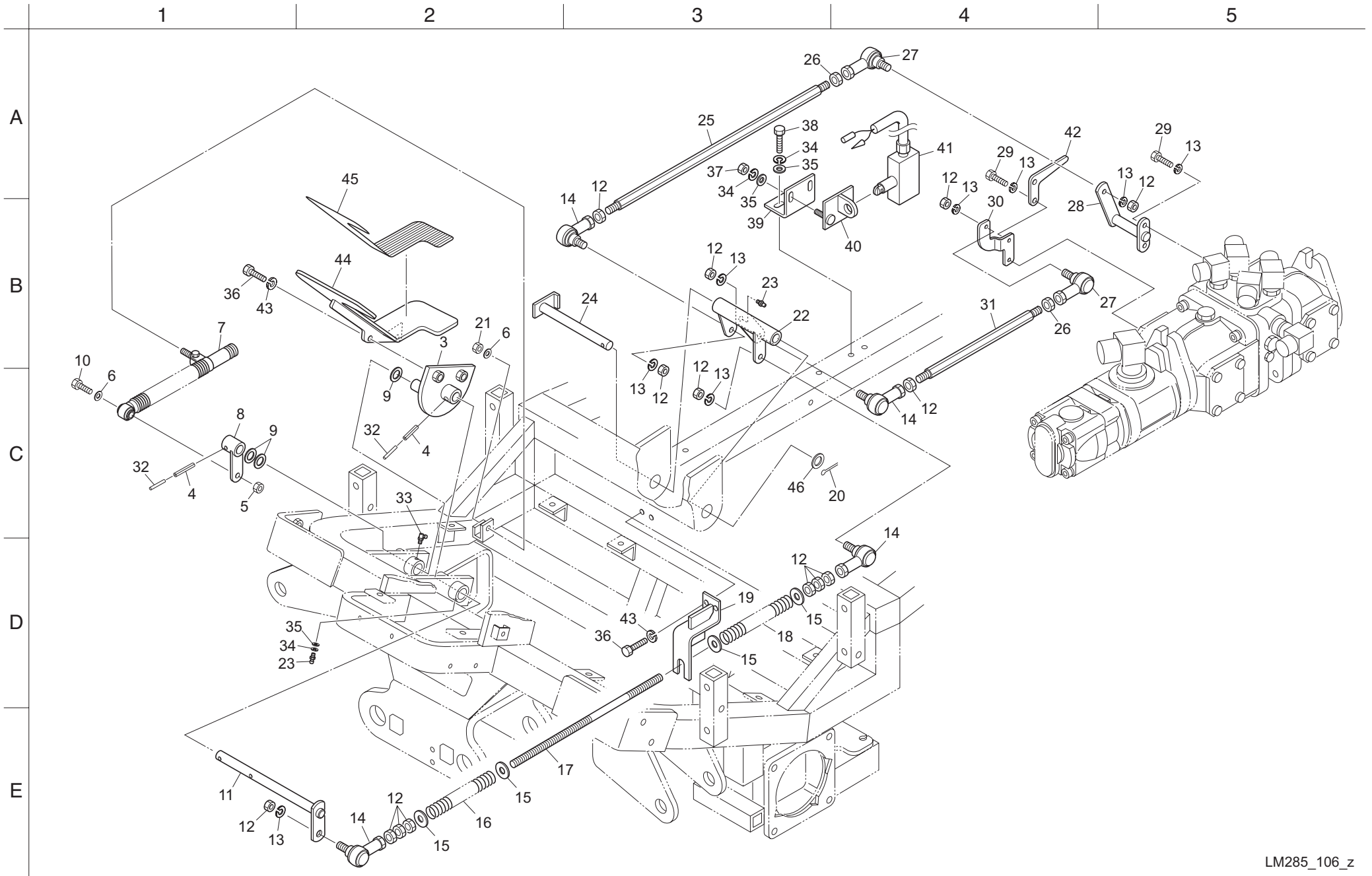


Cat No.	Code No.	Part name	Qty	Remark	SN of application
105-1	K209000054L	WHEEL, 7JA X 12WDC	2		
105-2	K2097000010	VALVE, RIM TR413	2		
105-3	K2092000010	CORE, VALVE NO.8000	2		
105-4	K2093000010	CAP, VALVE	2		
105-5	K0011120302	BOLT, HEAT-TREATED M12-30 PITCH 1.5	12		
105-6	K0200120002	SPRING WASHER, M12	20		
105-7	K5074512252	WASHER, SPHC 4.5-12-25	12		
105-8	K0138240002	SLOTTED NUT, HIGH M24 PITCH 1.5	2		
105-9	K5000240002	WASHER, M24	2		
105-10	K0300050452	COTTER PIN, 5-45	2		
105-11	LM318--0304AD	MOUNT, REAR WHEEL 80	2		
105-12	LM318--0302DD	KINGPIN (R)	1		
105-13	LM318--0303DD	KINGPIN (L)	1		
105-14					
105-15	K0000120452	BOLT, M12-45	8		
105-16	LM318--0301DD	PIVOT	1		
105-17	K6213000113	COLLAR, WITH HOLE M25-50-20	2		
105-18	K6204000383	CAP	2		
105-19	K1440000010	GREASE NIPPLE, A TYPE	1		
105-20	K0640511070	BEARING, THRUST 51107	2		
105-21	K0880048000	O-RING, P48	2		
105-22	K0320080501	SPRING PIN, 8-50	2		
105-23	K0000100302	BOLT, M10-30	1		
105-24	K0100100002	NUT, M10	1		
105-25	K5051030500	WASHER, C5191P 1-30-50	2		
105-26	K7147000198	PIN, FOR PIVOT	1		
105-27	K5073216352	WASHER, SPHC 3.2-16-35	1		
105-28	K0200160002	SPRING WASHER, M16	1		
105-29	K0100160002	NUT, M16	1		
105-30	K1610000020	END, TIE ROD (RIGHT) ASSY	1		
105-31	LM318--0305ZD	ROD, TIE	1		
105-32	K0160000192	NUT, SPECIAL TYPE M17 PITCH 1.5	1		
105-33	K0160000202	NUT, LEFT HANDED SPECIAL M17 PITCH 1.5	1		
105-34	K1611000020	END, TIE ROD (LEFT) ASSY	1		
105-35	K2040000610	TIRE, M40B-23 X 850-12ASSY	2	TYPE R	

Cat No.	Code No.	Part name	Qty	Remark	SN of application
105-36	K2041000370	TIRE, M40B-23 X 850-12	2	TYPE R	
105-37	K0100120002	NUT, M12	8		
105-38					
105-39					
105-40	K1440000020	GREASE NIPPLE, C TYPE	2		
105a-41					
105a-42					
105-43	K5051030420	WASHER, C5191P 1-30-42	1		



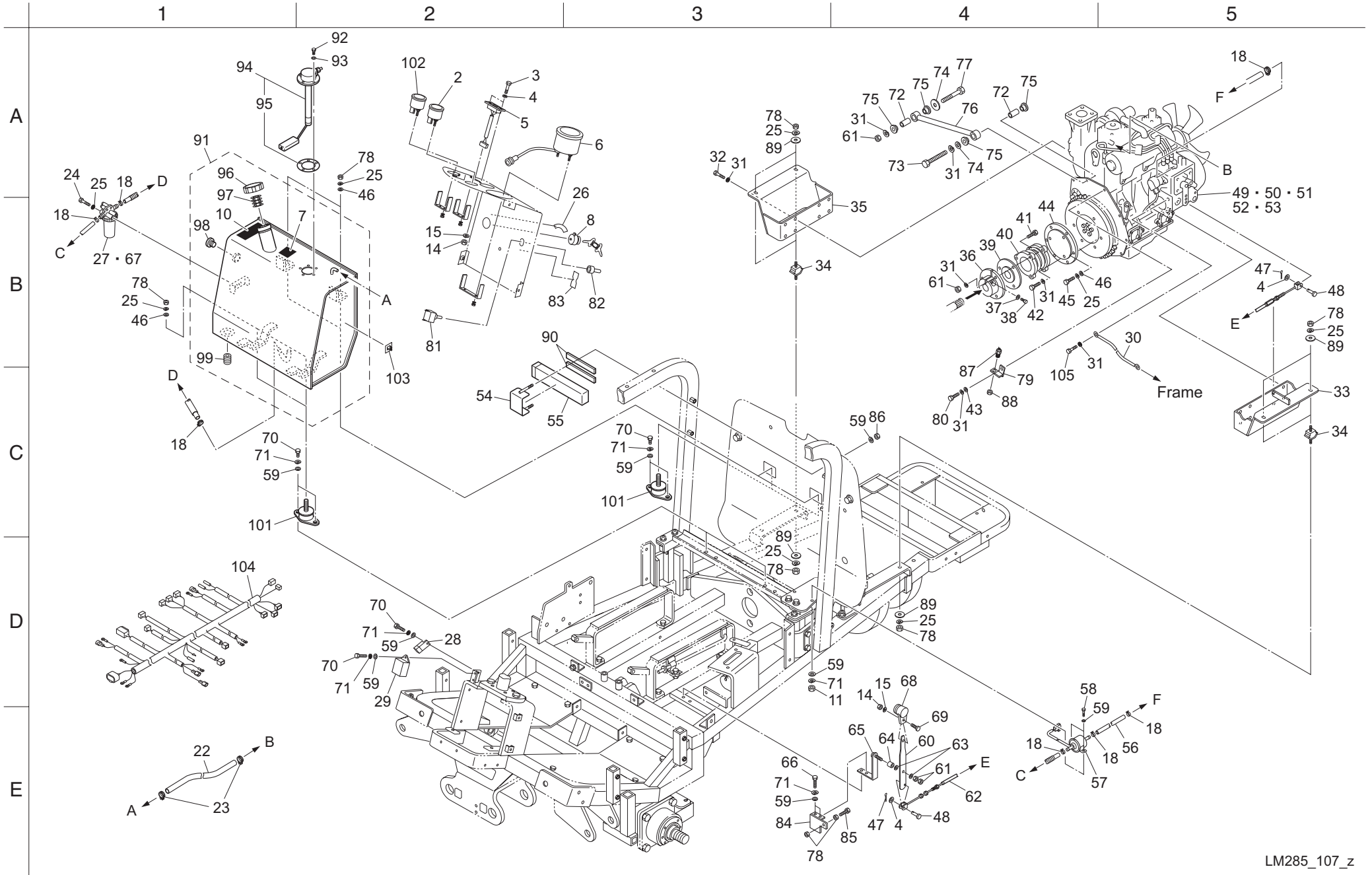
106. Pedal parts







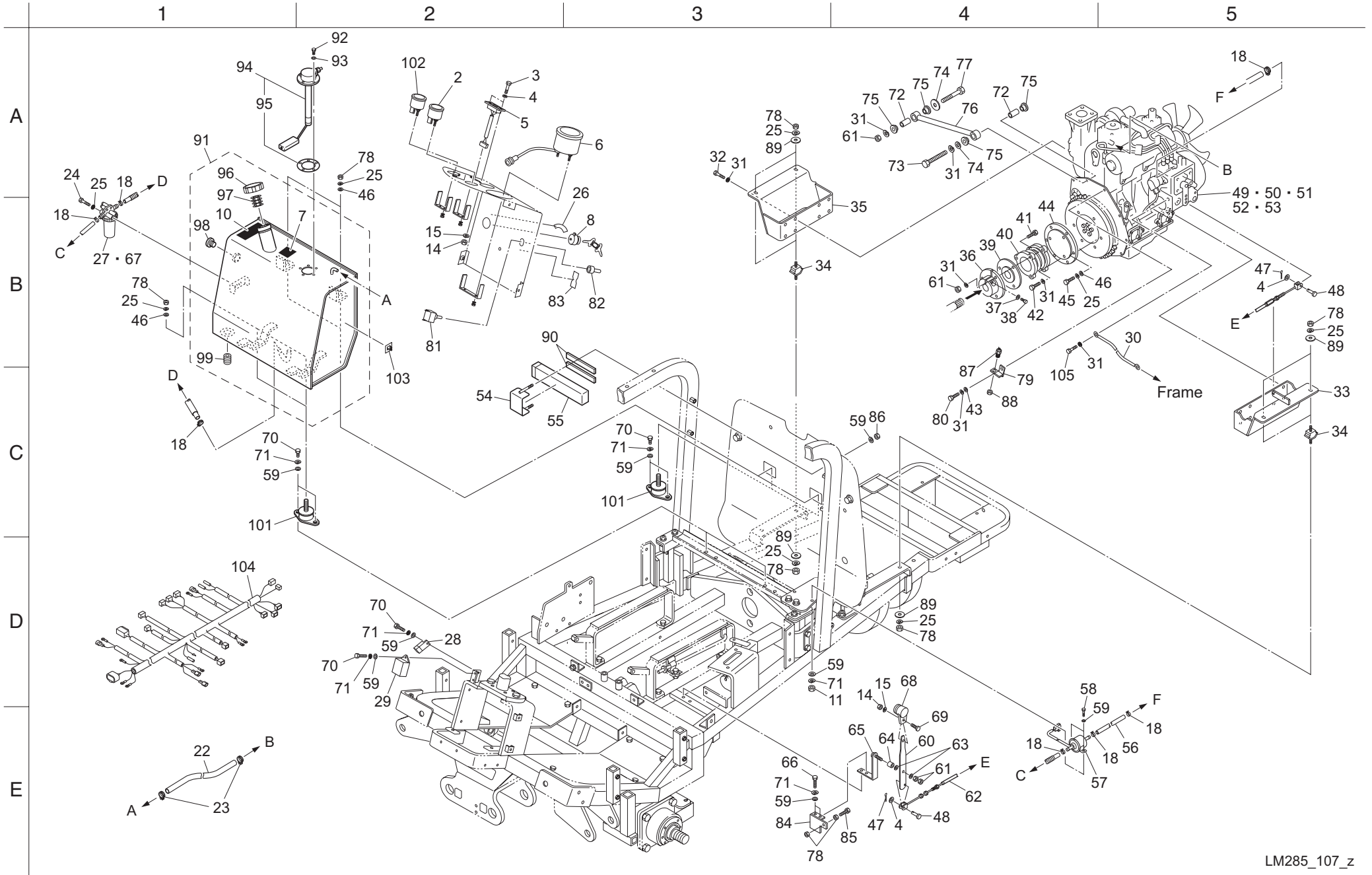
107. Engine parts



Cat No.	Code No.	Part name	Qty	Remark	SN of application
107-1					
107-2	PF19488-8303-0	GAUGE, WATER TEMPERATURE	1		
107-3	K0042050122	SCREW, ROUND HEAD WITH + M5-12	2		
107-4	K5000050002	WASHER, M5	4		
107-5	K3641000040	LAMP, PILOT	1		
107-6	PF15886-8301-1	HOUR METER ASSY	1		
107-7	K4209001330	DECAL, DIESEL FUEL INDICATION	1		
107-8	PF15248-6359-0	SWITCH, STARTER	1		
107-9					
107-10	K4209001000	DECAL, DIESEL FUEL REFUELING HOLE	1		
107-11	K0100060002	NUT, M6	2		
107-12					
107-13					
107-14	K0100050002	NUT, M5	3		
107-15	K0200050002	SPRING WASHER, M5	3		
107-16					
107-17					
107-18	PF14911-4275-1	CLIP, PIPE	6		
107-19					
107-20					
107-21					
107-22	PF09661-4210-0	TUBE, FUEL	1		
107-23	PF14971-4275-1	CLIP, PIPE	2		
107-24	K0000080602	BOLT, M8-60	1		
107-25	K0200080002	SPRING WASHER, M8	13		
107-26	K4209001190	DECAL, KEY SWITCH	1		
107-27	PF15393-4301-7	FILTER, FUEL ASSY	1		
107-28	PF1K574-6022-0	RELAY COMP	1		
107-29	PF15694-6599-0	TIMER, GLOW LAMP	1		
107-30	K3611000430	WIRE, TO EARTH 500	1		
107-31	K0200100002	SPRING WASHER, M10	23		
107-32	K0017100252	BOLT, HEAT-TREATED SMALL M10-25 PITCH 1.25	16		
107-33	LM285-0516AD	BASE, FOR ENGINE (LEFT)	1		
107-34	K4040000150	RUBBER, VIBRATION PROOF EC4001	4		
107-35	LM285-0517AD	BASE, FOR ENGINE (RIGHT)	1		

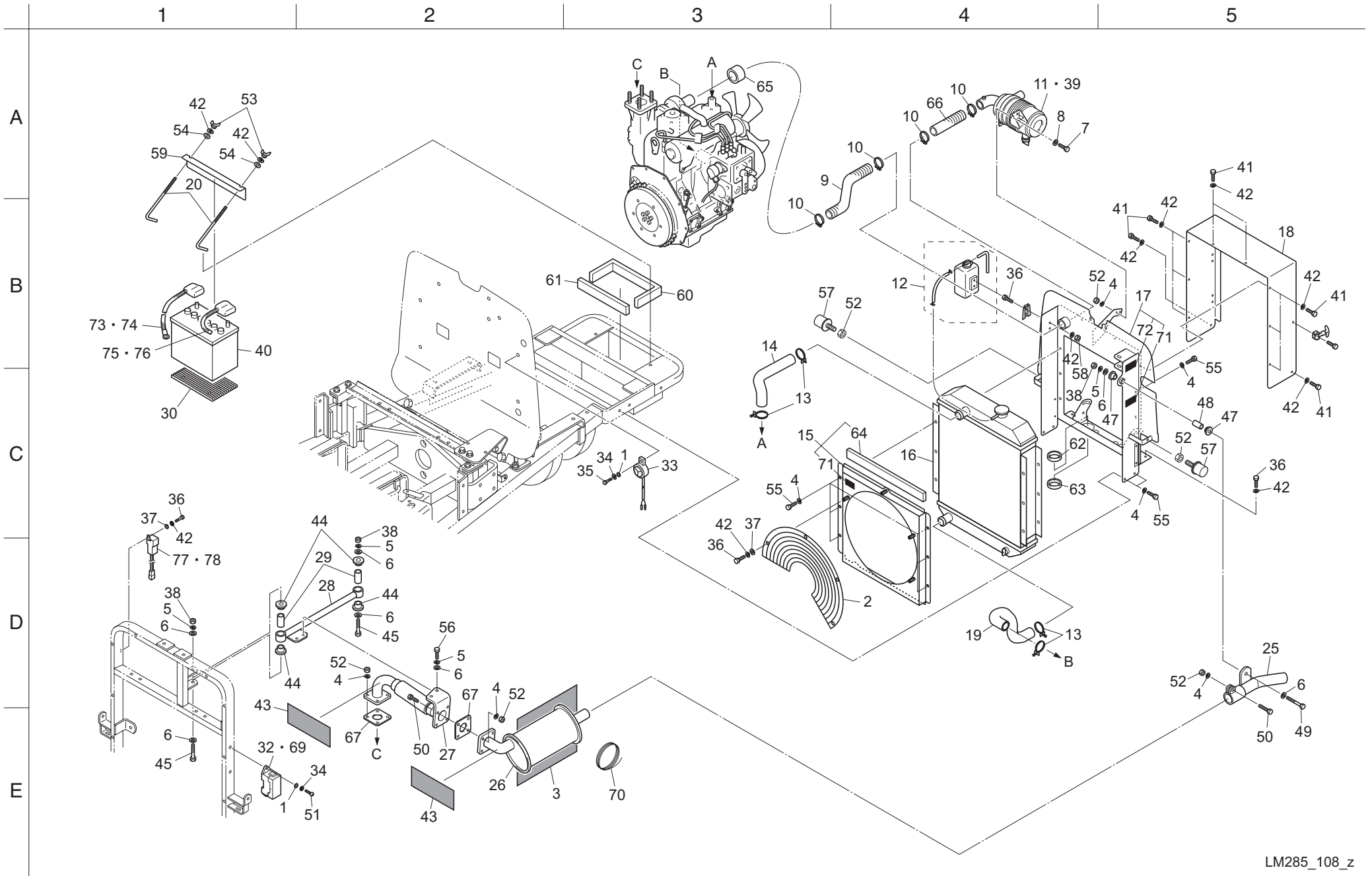
Cat No.	Code No.	Part name	Qty	Remark	SN of application
107-36	LM282-0541Z2	DISK, DRIVING PUMP SIDE	1		
107-37	K0215100002	WASHER, DISK SPRING TYPE 2 HEAVY LOAD M10	1		
107-38	K0024100351	BOLT, WITH HEX. HOLE M10-35	1		
107-39	K6204000562	SPACER, 118	1		
107-40	K1620000120	JOINT, BC75ACP201	1		
107-41	K0010100352	BOLT, HEAT-TREATED M10-35	3		
107-42	K0010100202	BOLT, HEAT-TREATED M10-20	3		
107-43	K5000100002	WASHER, M10	1		
107-44	LM282-0542Z2	FITTING, MOUNTING JOINT	1		
107-45	K0010080202	BOLT, HEAT-TREATED M8-20	6		
107-46	K5000080002	WASHER, M8	10		
107-47	K0300016202	COTTER PIN, 1.6-20	2		
107-48	K6030050122	PIN, FLAT HEAD M5-12	2		
107-49	K2691000100	ENGINE, KUBOTA D1105-T-E3B	1		
107-50	PF16271-3209-3	OIL ELEMENT	1		
107-51	PF1G345-9701-0	BELT, FAN	1		
107-52	PF15221-3375-0	PLUG (DRAIN BOLT)	1		
107-53	PF6C090-5896-0	GASKET (DRAIN OIL PAN)	1		
107-54	LM285-1002ZD	BRACKET	1		
107-55	LM285-1001Z0	CASE, FOR MANUAL	1		
107-56	PF09661-8250-0	TUBE, FUEL	1		
107-57	PFR1401-5135-1	PUMP, SUPPLYING FUEL	1		
107-58	K0000060152	BOLT, M6-15	2		
107-59	K5000060002	WASHER, M6	18		
107-60	LM318-0510Z2	SHANK, THROTTLE LEVER	1		
107-61	K0100100002	NUT, M10	6		
107-62	K1110101000	WIRE, THROTTLE 1010	1		
107-63	K0210100002	DISC SPRING, LIGHT LOADING M8	2		
107-64	K6212000092	COLLAR, STKM M10-16-10	1		
107-65	LM318-0511Z2	BRACKET, THROTTLE LEVER	1		
107-66	K0000060202	BOLT, M6-20	2		
107-67	PF15231-4356-0	FUEL ELEMENT	1		
107-68	K1301000150	GRIP, THROTTLE LEVER	1		
107-69	K0042050082	SCREW, ROUND HEAD WITH + M5-8	1		
107-70	K0000060102	BOLT, M6-10	10		

107. Engine parts





108. Radiator parts

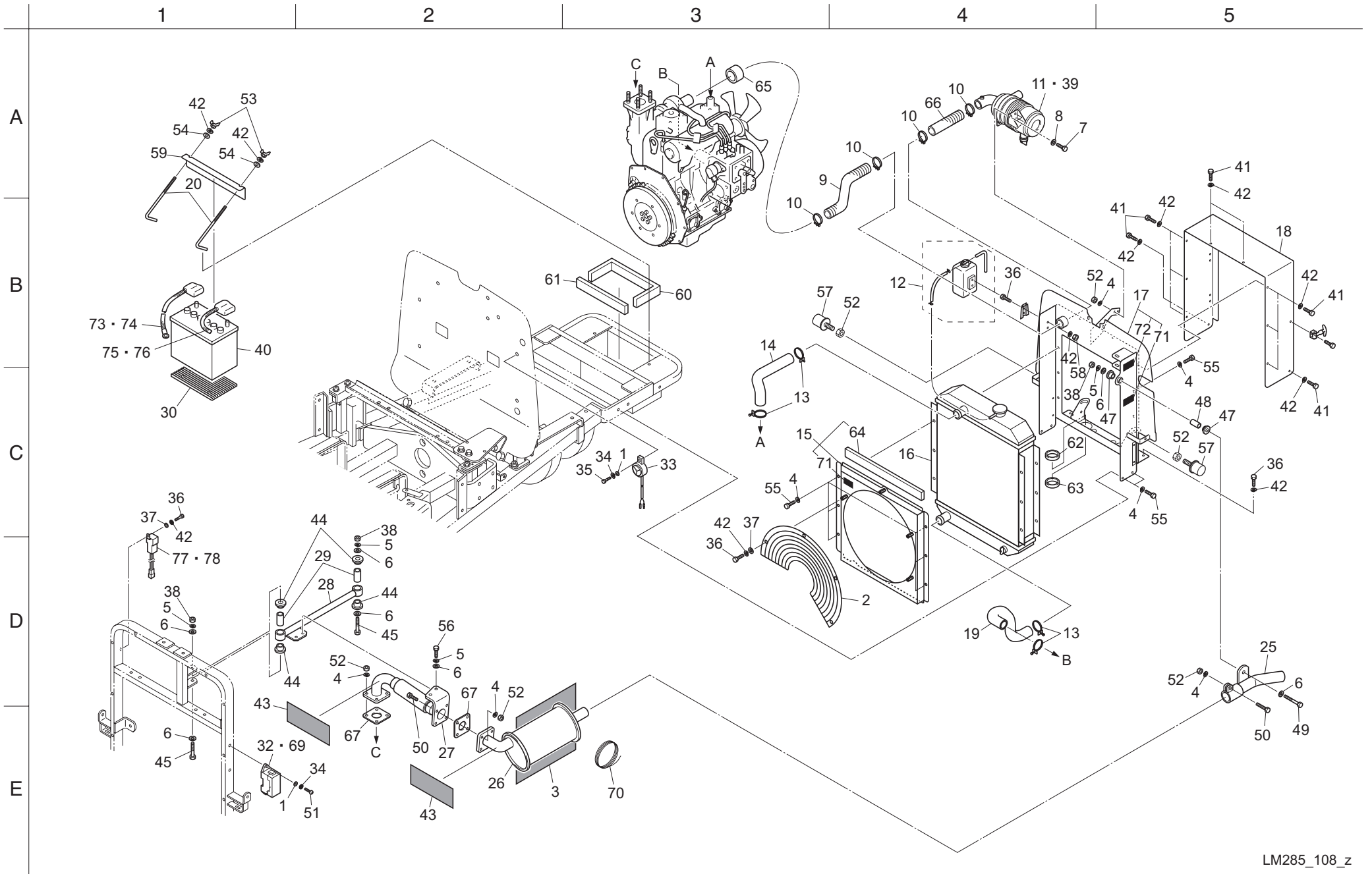


Cat No.	Code No.	Part name	Qty	Remark	SN of application
108-1	K5000050002	WASHER, M5	3		
108-2	PF1G690-7412-0	COVER, FAN	1		
108-3	K4230000140	PLATE, HEAT INSULATING 1.6-285420	1		
108-4	K0200080002	SPRING WASHER, M8	27		
108-5	K0200100002	SPRING WASHER, M10	5		
108-6	K5000100002	WASHER, M10	8		
108-7	K0000080202	BOLT, M8-20	2		
108-8	K5000080002	WASHER, M8	2		
108-9	K3170004000	HOSE, 50 BANNER A TYPE 400	1		
108-10	K4262057000	CLAMP, LS BAND 57	4		
108-11	PF17407-1101-0	AIR CLEANER	1		
108-12	PFRC411-4268-1	RESERVE TANK ASSY	1		
108-13	PF09318-8903-9	CLAMP, FOR HOSE	4		
108-14	PF16292-7294-1	PIPE, WATER 4	1		
108-15	LM285-0560Z0	SHROUD, WITH MARK	1		
108-16	K2730000040	RADIATOR	1		
108-17	LM285-0561A0	FITTING, MOUNTING RADIATOR WITH MARK	1		
108-18	LM285-0941ZD	BOX	1		
108-19	PF1G345-7285-0	HOSE, (1, WATER)	1		
108-20	LM285-0913A2	ROD, WITH M6	2		
108-21					
108-22					
108-23					
108-24					
108-25	LM285-0553ZU	PIPE, TAIL	1		
108-26	K2693000030	MUFFLER	1		
108-27	LM285-0552ZU	PIPE, FLEXIBLE EXHAUST	1		
108-28	LM285-0554ZD	BAR, SUPPORTING	1		
108-29	K6211000022	COLLAR, M12-17.3-40	2		
108-30	K4035000020	RUBBER, VIBRATION PROOF 256	1		
108-31					
108-32	K3630000110	FUSE BLOCK, MINI 10P-B	1		
108-33	K3700000010	BUZZER, EBM-12 TYPE	1		
108-34	K0200050002	SPRING WASHER, M5	3		
108-35	K0000050252	BOLT, M5-25	1		

Cat No.	Code No.	Part name	Qty	Remark	SN of application
108-36	K0000060152	BOLT, M6-15	9		
108-37	K5000060002	WASHER, M6	5		
108-38	K0100100002	NUT, M10	3		
108-39	PFT0270-1632-0	ELEMENT, AIR CLEANER	1		
108-40	K3600000160	BATTERY, FX75D23L	1		
108-41	K0000060102	BOLT, M6-10	10		
108-42	K0200060002	SPRING WASHER, M6	21		
108-43	K4230000040	PLATE, HEAT INSULATING 1.6-301000	2		
108-44	K4031000050	RUBBER, ROUND FOR HANDLE 35	4		
108-45	K0010100702	BOLT, HEAT-TREATED M10-70	2		
108-46					
108-47	K4031000020	RUBBER, ROUND FOR HANDLE 32	2		
108-48	K6211000062	COLLAR, SGP M12.7-17.3-31	1		
108-49	K0003100502	BOLT, M10-50	1		
108-50	K0000080302	BOLT, M8-30	5		
108-51	K0042050152	SCREW, ROUND HEAD WITH + M5-15	2		
108-52	K0100080002	NUT, M8	13		
108-53	K0141060002	FLY NUT, TYPE 3 M6	2		
108-54	K5012306162	WASHER, SPCC 2.3-6-16	2		
108-55	K0000080152	BOLT, M8-15	16		
108-56	K0000100252	BOLT, M10-25	2		
108-57	K4049030000	RUBBER, STOPPER KI-30	2		
108-58	K0100060002	NUT, M6	2		
108-59	LM285-0911Z2	HOLDER, BATTERY	1		
108-60	GM1600-0519Z0	SPONGE, RUBBER 8-610	1		
108-61	GM1600-0520Z0	SPONGE, RUBBER 8-250	1		
108-62	K0900300660	GROMMET, WITH THIN FILM C30SG66A	2		
108-63	K0900300300	GROMMET, WITH THIN FILM C30SG30A	2		
108-64	LM282-0522Z0	SPONGE, URETHANE	2		
108-65	LM285-0555Z0	COLLAR, FOR TURBINE	1		
108-66	K3170001500	HOSE, 50 BANNER A TYPE 150	1		
108-67	PF15263-1237-0	PACKING, MUFFLER NA	2		
108-68					
108-69	K3631000070	FUSE, MINI BLADE TYPE 5A	1		
108-70	K4980015000	WIRE STAINLESS 1.2-1500	1		



108. Radiator parts

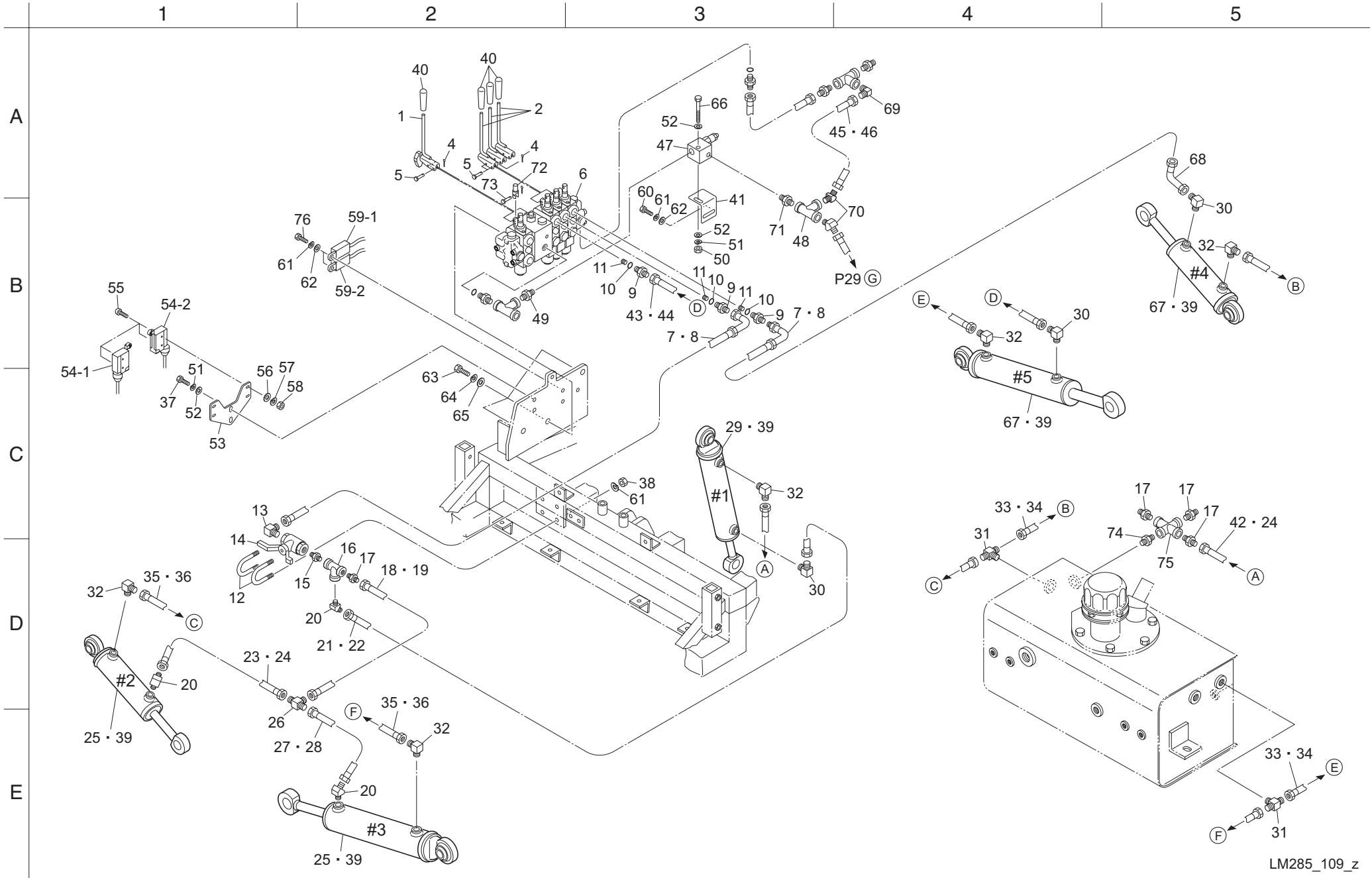




Cat No.	Code No.	Part name	Qty	Remark	SN of application
108-71	K4205001530	DECAL, CAUTION TO ROTATING OBJECT	2		
108-72	K4205001540	DECAL, CAUTION TO HOT PARTS	1		
108-73	K3610000230	WIRE, BATTERY (+) 1250	1		
108-74	K3196012000	CORRUGATE TUBE, 13-1200	1		
108-75	K3611000420	WIRE, TO EARTH BATTERY 1000	1		
108-76	K3196009500	CORRUGATE TUBE, 13-950	1		
108-77	K3630000130	FUSIBLE LINK, 50A	1		
108-78	K3631000170	FUSE, PLUG IN TYPE 50A	1		

Cat No.	Code No.	Part name	Qty	Remark	SN of application

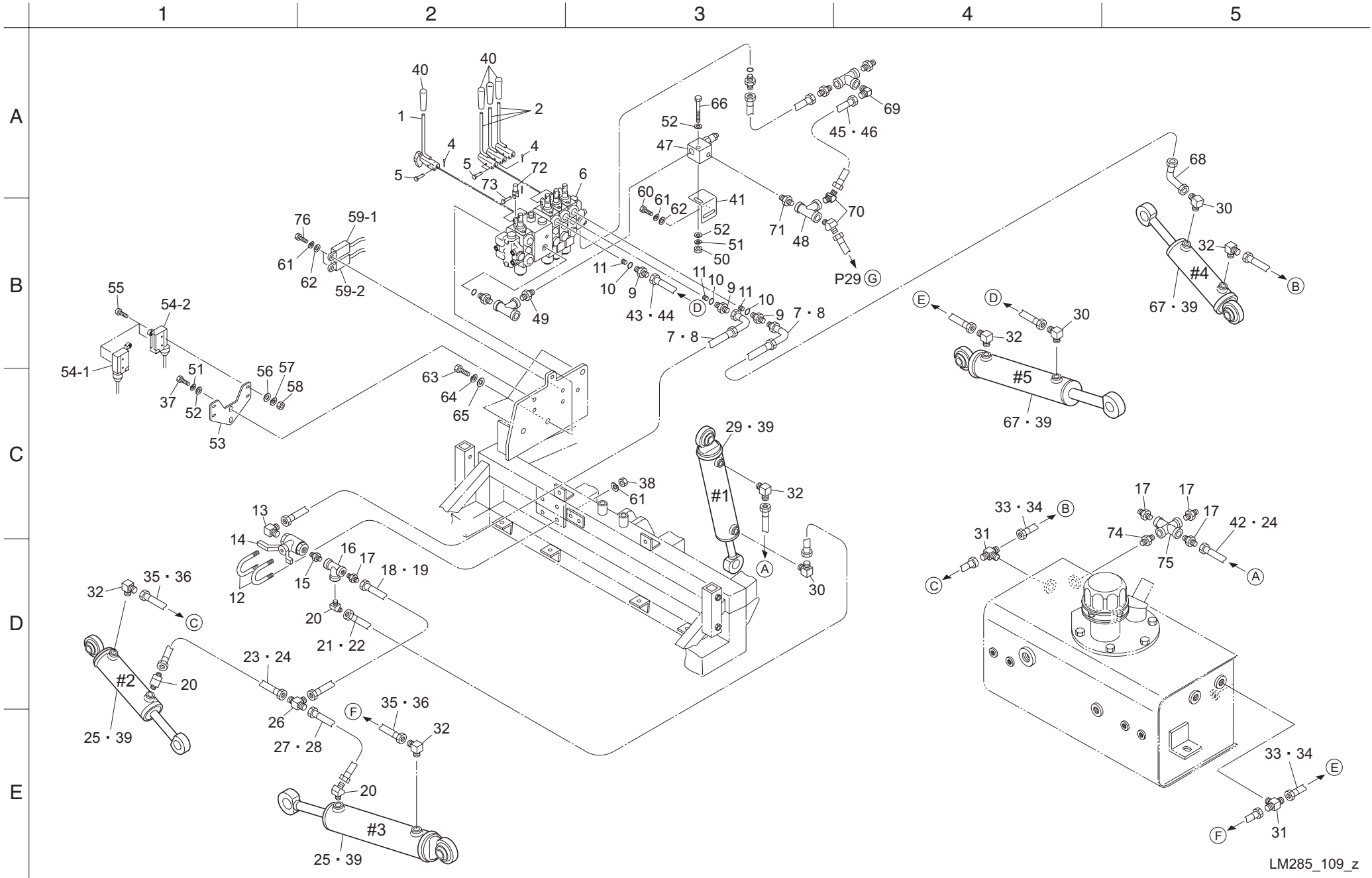
109. Hydraulic parts A(Cylinder system)



Cat No.	Code No.	Part name	Qty	Remark	SN of application
109-1	LM285-0702A2	LEVER, FOR REEL ROTATION	1		
109-2	LM285-0701Z2	LEVER, FOR RAISING AND LOWERING	3		
109-3					
109-4	K0300020102	COTTER PIN, 2-10	4		
109-5	Y80103-1139-2	PIN, 5-24	8		
109-6	K3303000030	VALVE, FOURFOLD ASV50	1		
109-7	K3103230480	HOSE, WP140-6-3-480	2		
109-8	K3190003500	COIL TUBE, SP-12 TYPE 350	2		
109-9	K3029000152-Y	CONNECTOR, FOR O-RING (SHORT) PF3/8 X PF1/4	3		
109-10	K0881014000	O-RING, P14B	5		
109-11	K0023000031-Y	TAPER PLUG, WITH HEX. HOLE TYPE1, 1/8-1	3		
109-12	K0073000022	BOLT, WITH FRICTION RING, M6-40	2		
109-13	K3006000012-Y	ELBOW, ODD SIZED PT3/8 X PF1/4	1		
109-14	K3360000010	STOP VALVE, 397819	1		
109-15	K3029000211-Y	NIPPLE, ODD SIZED PT3/8 X PT1/4	1		
109-16	K3021040002-Y	TEE, SCREWED TYPE TEFPT1/4	1		
109-17	K3000060002-Y	ADAPTOR, 1013-6	4		
109-18	K3145000160	HOSE, SSC140-570	1		
109-19	K3190004700	COIL TUBE, SP-12 TYPE 470	1		
109-20	K3003060002-Y	ELBOW, 45 DEG. 1035-6	3		
109-21	K3145000150	HOSE, IB140-460	1		
109-22	K3190003600	COIL TUBE, SP-12 TYPE 360	1		
109-23	K3145000180	HOSE, IB140-400	1		
109-24	K3190003000	COIL TUBE, SP-12 TYPE 300	2		
109-25	K3205000030	CYLINDER, 40-110 307	2		
109-26	K3008000092-Y	TEE, FOR HOSE PF1/4	1		
109-27	K3145000170	HOSE, IB140-320	1		
109-28	K3190002200	COIL TUBE, SP-12 TYPE 220	1		
109-29	K3205000020	CYLINDER, 40-70 252	1		
109-30	K3001060002-Y	ELBOW, 90 DEG. 1033-6	5		
109-31	K3029000352-Y	TEE, SPECIAL PT1/4 X PF1/4	2		
109-32	K3006000152-Y	ELBOW, ODD SIZED PT1/8 X PF1/4	5		
109-33	K3101210960	HOSE, WP70-6-1-960	2		
109-34	K3190008600	COIL TUBE, SP-12 TYPE 860	2		
109-35	K3101230270	HOSE, WP70-6-3-270	2		

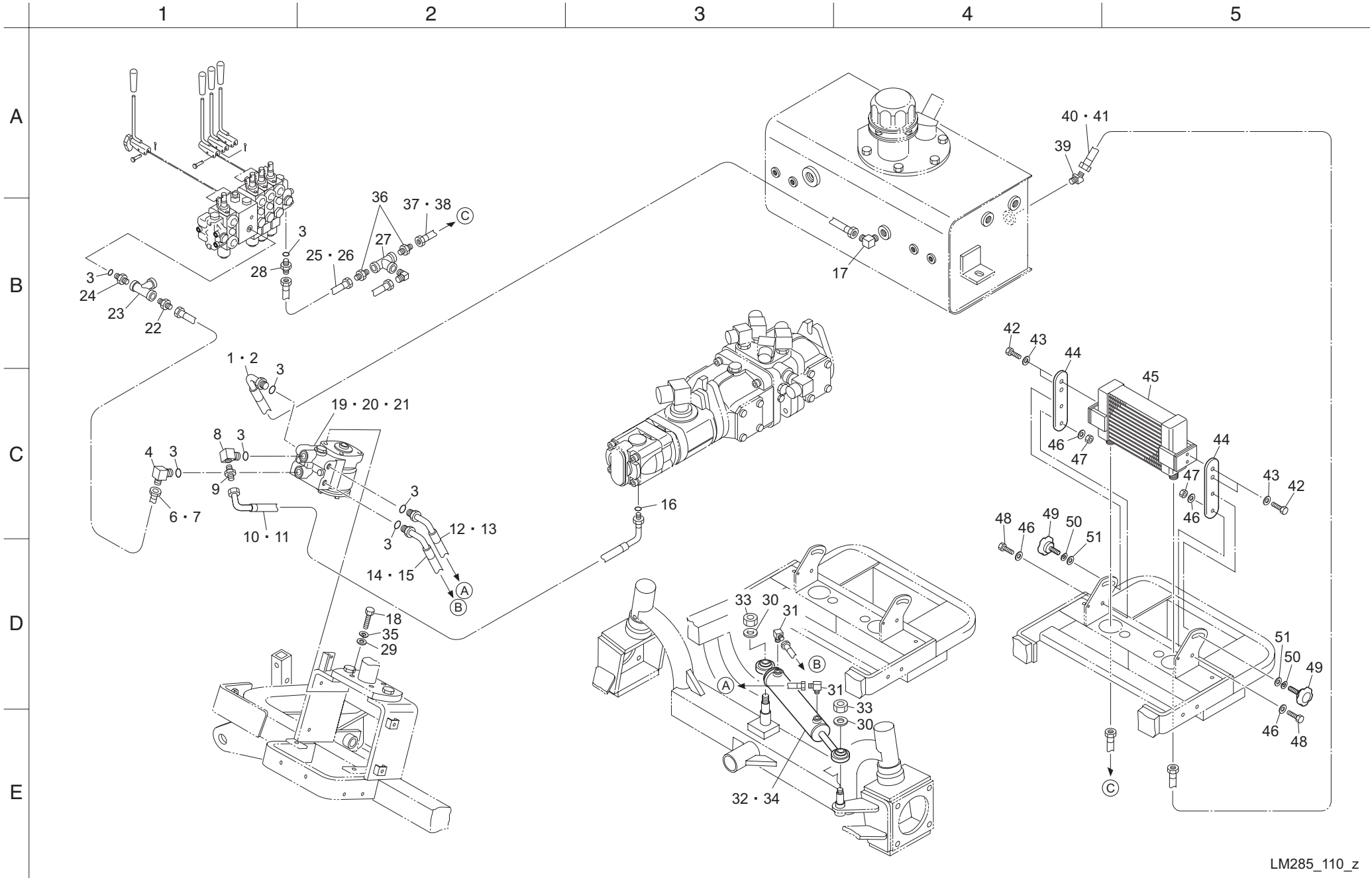
Cat No.	Code No.	Part name	Qty	Remark	SN of application
109-36	K3190001700	COIL TUBE, SP-12 TYPE 170	2		
109-37	K0000080152	BOLT, M8-15	2		
109-38	K0100060002	NUT, M6	4		
109-39	YD10000896-1	SEAL ASSY	5		
109-40	K1300000180	GRIP, BLACK 7-23	4		
109-41	LM285-0662ZD	PLATE, MOUNTING RELIEF VALVE	1		
109-42	K3101210400	HOSE, WP70-6-1-400	1		
109-43	K3103230900	HOSE, WP140-6-3-900	1		
109-44	K3190008000	COIL TUBE, SP-12 TYPE 800	1		
109-45	K3100410340	HOSE, WP35-12-1-340	1		
109-46	K3191001900	COIL TUBE, SP-15 TYPE 190	1		
109-47	K3315000050	VALVE, RELIEF	1		
109-48	K3021080002-Y	TEE, SCREWED TYPE TEFPT1/2	1		
109-49	K3023060001-Y	NIPPLE, NSPT3/8	1		
109-50	K0100080002	NUT, M8	1		
109-51	K0200080002	SPRING WASHER, M8	3		
109-52	K5000080002	WASHER, M8	4		
109-53	LM285-0661ZD	PLATE, MOUNTING SWITCH	1		
109-54-1	K3670000140	SWITCH, LIMIT SWAZ7121N0	1	for stop solenoid	
109-54-2	K3670000140	SWITCH, LIMIT SWAZ7121N0	1	for cell motor	
109-55	K0042040302	SCREW, ROUND HEAD WITH + M4-30	4		
109-56	K5000040002	WASHER, M4	4		
109-57	K0200040002	SPRING WASHER, M4	4		
109-58	K0100040002	NUT, M4	4		
109-59-1	K3681000060	RELAY, CALAF-12V-N-5	1	for seat switch	
109-59-2	K3681000060	RELAY, CALAF-12V-N-5	1	for detecting rotation of reel	
109-60	K0000060202	BOLT, M6-20	2		
109-61	K0200060002	SPRING WASHER, M6	8		
109-62	K5000060002	WASHER, M6	4		
109-63	K0000120252	BOLT, M12-25	3		
109-64	K0200120002	SPRING WASHER, M12	3		
109-65	K5000120002	WASHER, M12	3		
109-66	K0003080502	BOLT, M8-50	1		
109-67	K3205000040	CYLINDER, 40-158 352	2		
109-68	K3000120002-Y	ADAPTOR, 1013-12	2		

109. Hydraulic parts A(Cylinder system)





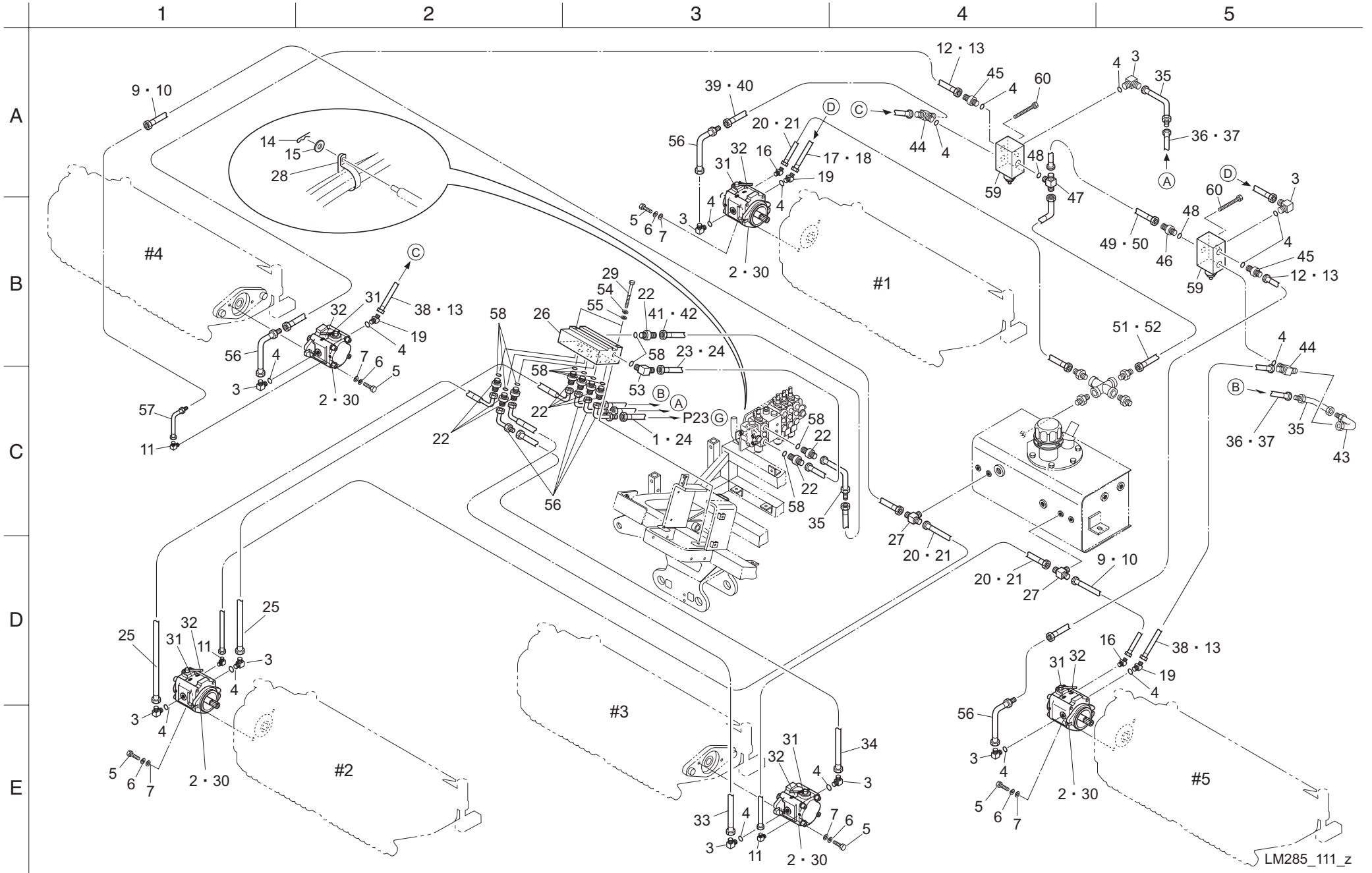
110. Hydraulic parts A(Power steering system)



Cat No.	Code No.	Part name	Qty	Remark	SN of application
110-1	K3145000290	HOSE, SSC35-560	1		
110-2	K3190004450	COIL TUBE, SP-12 TYPE 445	1		
110-3	K0881014000	O-RING, P14B	7		
110-4	K3008000192-Y	ELBOW, 90 DEG. ODD SIZED PF1/2 X PF3/8	1		
110-5					
110-6	K3104421100	HOSE, WP175-12-2-1100	1		
110-7	K3191009500	COIL TUBE, SP-15 TYPE 950	1		
110-8	K3008000072-Y	ELBOW, 90 DEG. ADJUSTER 1125-9	1		
110-9	K3009000192-Y	ADAPTOR, SPECIAL PT3/8 X PF1/2	1		
110-10	K3145000400	HOSE, SSC140-1000	1		
110-11	K3191008700	COIL TUBE, SP-15 TYPE 870	1		
110-12	K3145000120	HOSE, SSC70-1910	1		
110-13	K3190018050	COIL TUBE, SP-12 TYPE 1805	1		
110-14	K3145000130	HOSE, SSC70-1960	1		
110-15	K3190018550	COIL TUBE, SP-12 TYPE 1855	1		
110-16	K0881018000	O-RING, P18B	1		
110-17	K3006000022-Y	ELBOW, ODD SIZED PT1/2 X PF3/8	1		
110-18	K0000100302	BOLT, M10-30	4		
110-19	K3294000060	ORBIT ROLL, UBS070A08GCD	1		
110-20	YBA0274A	SEAL KIT, ORBIT ROLL UBS070A08GCD	1		
110-21	YBA0056A	SEAL KIT, ORBIT ROLL UBS070A08GCD VALVE	1		
110-22	K3009000192-Y	ADAPTOR, SPECIAL PT3/8 X PF1/2	1		
110-23	K3021060002-Y	TEE, SCREWED TYPE TEFPT3/8	1		
110-24	K3009000052-Y	ADAPTOR, SPECIAL PT3/8 X PF3/8	1		
110-25	K3100430300	HOSE, WP35-12-3-300	1		
110-26	K3191001500	COIL TUBE, SP-15 TYPE 150	1		
110-27	K3021080002-Y	TEE, SCREWED TYPE TEFPT1/2	2		
110-28	K3009000172-Y	ADAPTOR, SPECIAL PF3/8 X PF1/2	1		
110-29	K5000100002	WASHER, M10	4		
110-30	K0215140001	WASHER, DISK SPRING TYPE 2 HEAVY LOAD M14	2		
110-31	K3001060002-Y	ELBOW, 90 DEG. 1033-6	2		
110-32	K3214000010	CYLINDER, 35-164 374A	1		
110-33	K0145140002	NUT, WITH FRICTION RING, M14 PITCH 1.5	2		
110-34	YDW46D0190-1	SEAL ASSY	1		
110-35	K0200100002	SPRING WASHER, M10	4		

Cat No.	Code No.	Part name	Qty	Remark	SN of application
110-36	K3000120002-Y	ADAPTOR, 1013-12	2		
110-37	K3100411000	HOSE, WP35-12-1-1000	1		
110-38	K3191008500	COIL TUBE, SP-15 TYPE 850	1		
110-39	K3003120002-Y	ELBOW, 45 DEG. 1035-12	1		
110-40	K3100411900	HOSE, WP35-12-1-1900	1		
110-41	K3191017500	COIL TUBE, SP-15 TYPE 1750	1		
110-42	K0000080202	BOLT, M8-20	4		
110-43	K0200080002	SPRING WASHER, M8	4		
110-44	LM285--0642ZD	BRACKET, OIL COOLER	2		
110-45	K3431000030	OIL COOLER	1		
110-46	K5000080002	WASHER, M8	4		
110-47	K0144080002	NUT, WITH FRICTION RING, M8	2		
110-48	K0000080252	BOLT, M8-25	2		
110-49	K1320000220	KNOB, WITH M8 4220	2		
110-50	K0213080002	WASHER, DISK SPRING TYPE 1HEAVYLOAD M8	2		
110-51	K5073208202	WASHER, SPHC 3.2-8-20	2		

111. Hydraulic parts B/TYPE\_R (Reel motor system)

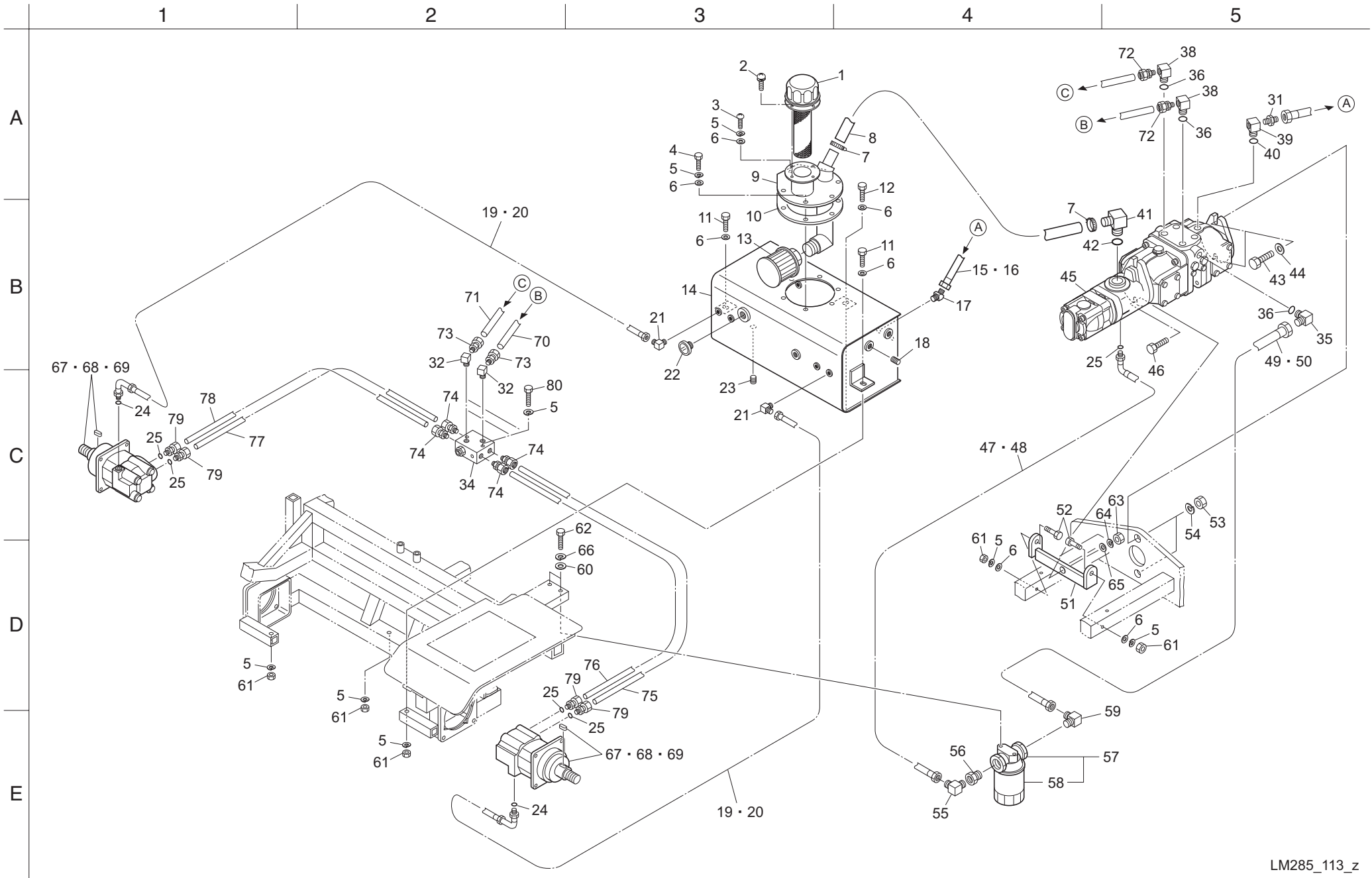




Cat No.	Code No.	Part name	Qty	Remark	SN of application
111-1	K3100410950	HOSE, WP35-12-1-950	1		
111-2	K3280000230	GEAR MOTOR, MB4AK379	5		
111-3	K3008000042-Y	ELBOW, 90 DEG. ADJUSTER 1086-12	9		
111-4	K0881018000	O-RING, P18B	16		
111-5	K0000100252	BOLT, M10-25	10		
111-6	K0200100002	SPRING WASHER, M10	10		
111-7	K5000100002	WASHER, M10	10		
111-8					
111-9	K3101211900	HOSE, WP70-6-1-1900	2		
111-10	K3190017500	COIL TUBE, SP-12 TYPE 1750	2		
111-11	K3001060002-Y	ELBOW, 90 DEG. 1033-6	3		
111-12	K3104410750	HOSE, WP175-12-1-750	2		
111-13	K3191006000	COIL TUBE, SP-15 TYPE 600	4		
111-14	K0330800008	SNAP PIN, 8	1		
111-15	K5000080002	WASHER, M8	1		
111-16	K3003060002-Y	ELBOW, 45 DEG. 1035-6	2		
111-17	K3104411050	HOSE, WP175-12-1-1050	1		
111-18	K3191009000	COIL TUBE, SP-15 TYPE 900	1		
111-19	K3008000182-Y	ELBOW, 45 DEG. ADJUSTABLE	3		
111-20	K3101211600	HOSE, WP70-6-1-1600	3		
111-21	K3190014500	COIL TUBE, SP-12 TYPE 1450	3		
111-22	K3009000172-Y	ADAPTOR, SPECIAL PF3/8 X PF1/2	10		
111-23	K3104410950	HOSE, WP175-12-1-950	1		
111-24	K3191008000	COIL TUBE, SP-15 TYPE 800	2		
111-25	LM285-0705Z0	HOSE, WP175-12-3-1200	2		
111-26	K3321000050	MANIFOLD, WITH SOLENOID VALVE	1		
111-27	K3029000352-Y	TEE, SPECIAL PT1/4 X PF1/4	3		
111-28	K4270030080	CLAMP, 30 M8	1		
111-29	K0003080702	BOLT, M8-70	2		
111-30	YCG0038A	SEAL KIT, FOR MB GEAR MOTOR 379	5		
111-31	K4203001300	DECAL, REEL ROTATION	5		
111-32	K4203001310	DECAL, REEL STOP	5		
111-33	LM285-0707Z0	HOSE, WP175-12-3-1250	1		
111-34	LM285-0706Z0	HOSE, WP175-12-1-1200	1		
111-35	K3025064082-Y	ADAPTOR, FOR PIPE 064-08	3		

Cat No.	Code No.	Part name	Qty	Remark	SN of application
111-36	K3104411450	HOSE, WP175-12-1-1450	2		
111-37	K3191013000	COIL TUBE, SP-15 TYPE 1300	1		
111-38	K3104430750	HOSE, WP175-12-3-750	2		
111-39	K3104430700	HOSE, WP175-12-3-700	1		
111-40	K3191005500	COIL TUBE, SP-15 TYPE 550	1		
111-41	K3104410880	HOSE, WP175-12-1-880	1		
111-42	K3191007300	COIL TUBE, SP-15 TYPE 780	1		
111-43	K3025069082-Y	ADAPTOR, FOR PIPE 069-08	1		
111-44	K3008000362-Y	BOSS, T-SHAPED WITH O-RING 1087-12	2		
111-45	K3009000092-Y	ADAPTOR, SPECIAL PF1/2 X PF1/2	2		
111-46	K3008000232-Y	CONNECTOR, WITH O-RING PF1/4 X PF1/4	1		
111-47	K3008000672-Y	BOSS, T-SHAPED WITH O-RING 1087-6	1		
111-48	K0881011000	O-RING, P11B	2		
111-49	K3100230280	HOSE, WP35-6-3-280	1		
111-50	K3190001700	COIL TUBE, SP-12 TYPE 170	1		
111-51	K3100230900	HOSE, WP35-6-3-900	1		
111-52	K3190007700	COIL TUBE, SP-12 TYPE 770	1		
111-53	K3008000192-Y	ELBOW, 90 DEG. ODD SIZED PF1/2 X PF3/8	1		
111-54	K0200080002	SPRING WASHER, M8	2		
111-55	K5000080002	WASHER, M8	2		
111-56	K302506L082-Y	ADAPTOR, FOR PIPE 06L-08	7		
111-57	K302506L042-Y	ADAPTOR, FOR PIPE 06L-04	1		
111-58	K0881014000	O-RING, P14B	11		
111-59	K3390000030	VALVE, SELECTOR V1249	2		
111-60	K0024080801	BOLT, WITH HEX. HOLE M8-80	8		

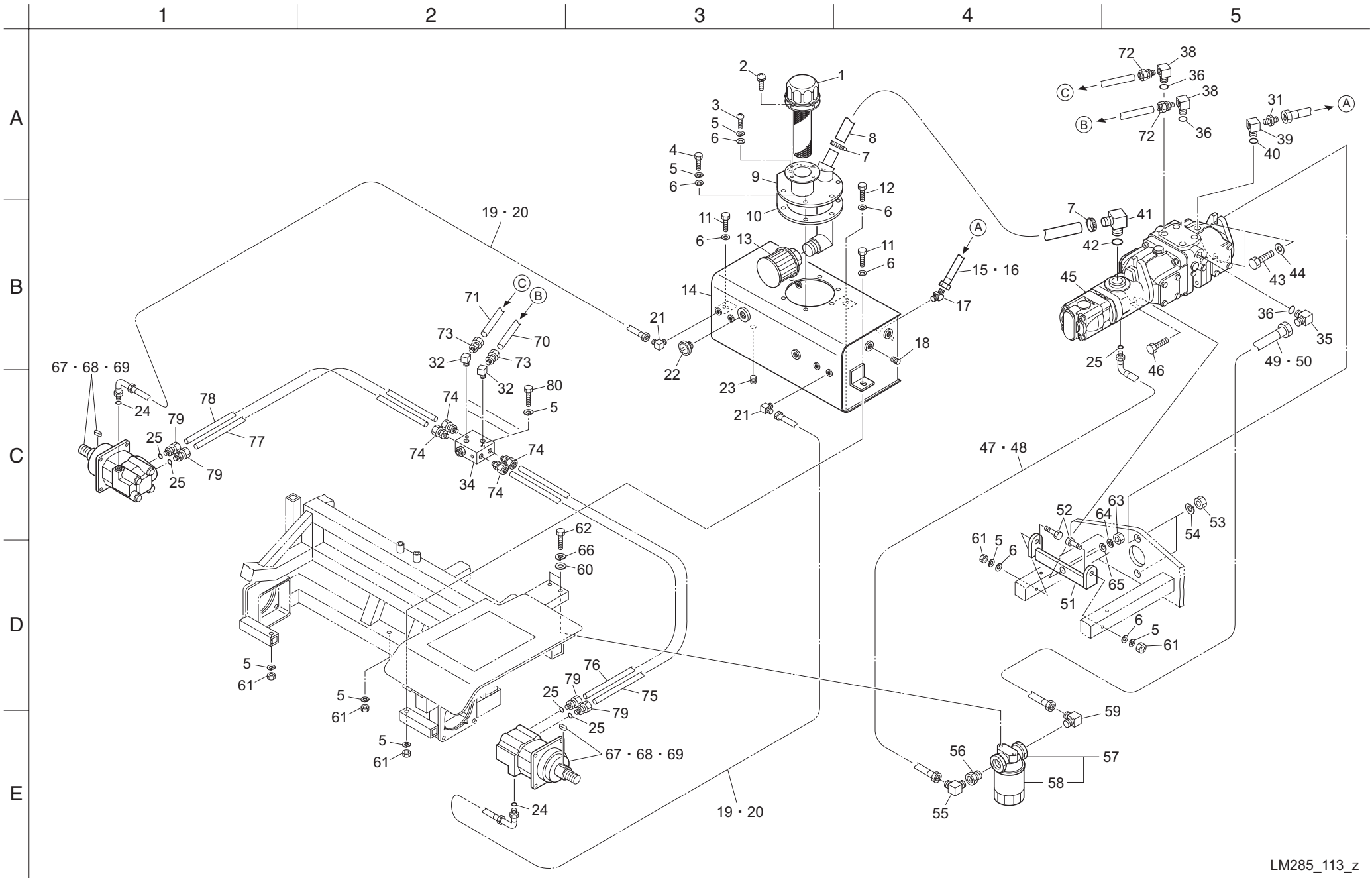
### 113. Hydraulic parts C (Front wheel motor system)



Cat No.	Code No.	Part name	Qty	Remark	SN of application
113-1	K3400000030	BREATHER, REFUELING HOLE FAB-50	1		
113-2	K0044050102	SCREW, ROUND HEAD WITH + M5-10SW	4		
113-3	K0056080200	SCREW, TRUSS STAINLESS WITH + M8-20	1		
113-4	K0000080202	BOLT, M8-20	5		
113-5	K0200080002	SPRING WASHER, M8	13		
113-6	K5000080002	WASHER, M8	11		
113-7	K4260000200	CLAMP, JUBILEE BAND 2A	2		
113-8	LM318-0730Z0	HOSE, WP35-32 X 500	1		
113-9	LM318-0705Z2-Y	PORT, SUCTION HYDRAULIC TANK	1		
113-10	LM318-0711Z0	PACKING	1		
113-11	K0003080502	BOLT, M8-50	2		
113-12	K0003080702	BOLT, M8-70	1		
113-13	K3413000020	FILTER, SUCTION SFT-08-150W	1		
113-14	LM318-0701CD-Y	TANK, HYDRAULIC	1		
113-15	K3145000340	HOSE, SSC35-1000	1		
113-16	K3192008500	COIL TUBE, SP-20 TYPE 850	1		
113-17	K3003190002-Y	ELBOW, 45 DEG. 1035-19	1		
113-18	K1422108001-Y	TAPER PLUG, WITH HEX. HOLE TYPE1, 1/2	1		
113-19	K3145000270	HOSE, SSC35-250	2		
113-20	K3190001550	COIL TUBE, SP-12 TYPE 155	2		
113-21	K3001060002-Y	ELBOW, 90 DEG. 1033-6	2		
113-22	K1400000044-Y	OIL PLUG, M TYPEPF3/4	1		
113-23	K1422106001-Y	TAPER PLUG, WITH HEX. HOLE TYPE1, 3/8	1		
113-24	K0881011000	O-RING, P11B	2		
113-25	K0881018000	O-RING, P18B	5		
113-26					
113-27					
113-28					
113-29					
113-30					
113-31	K3007000012-Y	ADAPTOR, ODD SIZED PT1/2 X PF3/4	1		
113-32	K3022080002-Y	ELBOW, FEMALE-MALE STEPT1/2	2		
113-33					
113-34	K3321000020	MANIFOLD, WITH RELIEF VALVE	1		
113-35	K3008000162-Y	ELBOW, 90 DEG. ADJUSTABLE UNF	1		

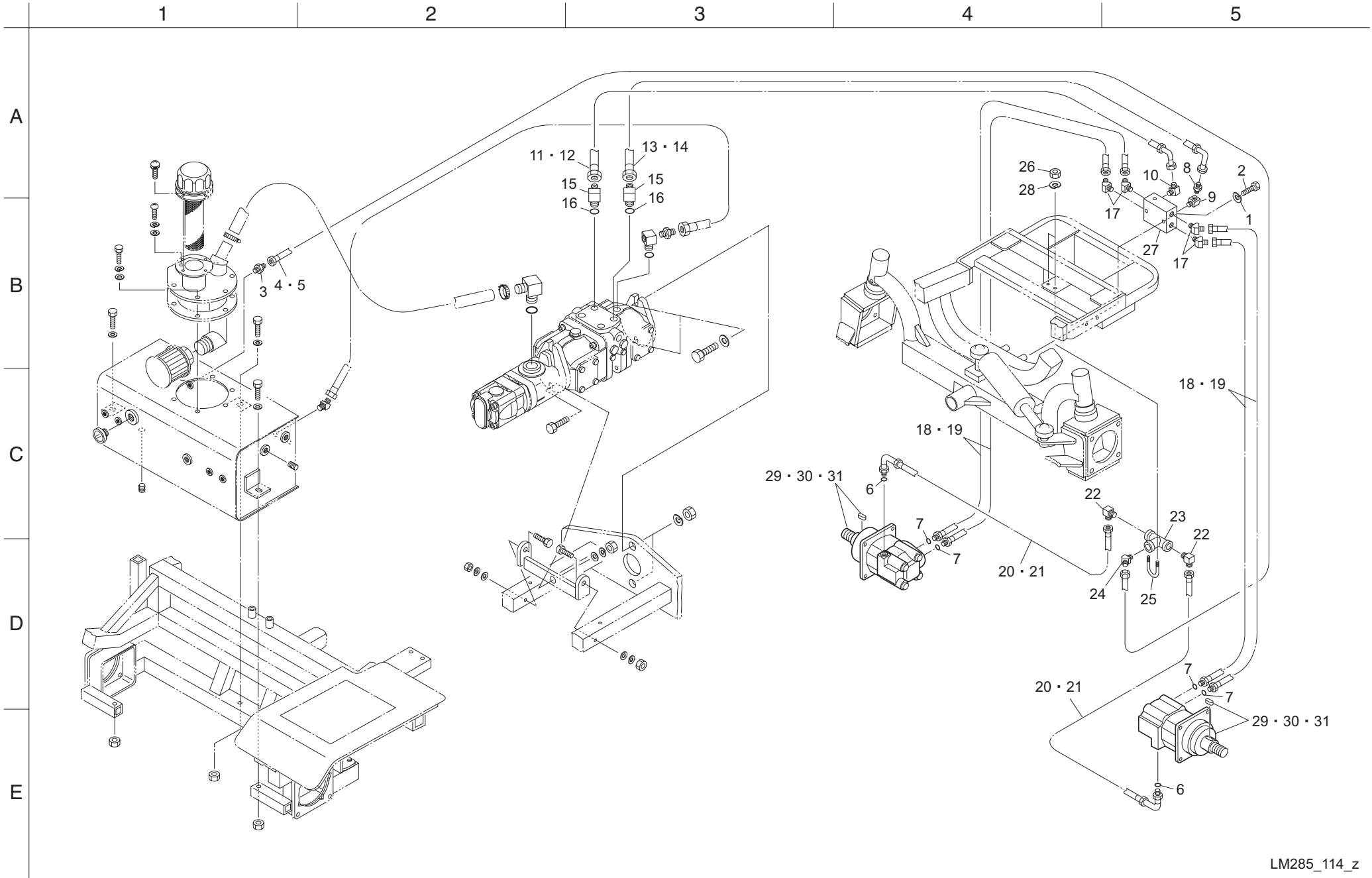
Cat No.	Code No.	Part name	Qty	Remark	SN of application
113-36	K0887009100	O-RING, AS568-910	3		
113-37					
113-38	K3008000142-Y	ELBOW, 90 DEG. ADJUSTABLE	2		
113-39	K3008000172-Y	ELBOW, 90 DEG. ADJUSTABLE UNF	1		
113-40	K0887009080	O-RING, AS568-908	1		
113-41	K3008000152-Y	NIPPLE, FOR 90DEG. ELBOW	1		
113-42	K0881029000	O-RING, P29B	1		
113-43	K0013140502	BOLT, HEAT-TREATED M14-50	2		
113-44	K5000140002	WASHER, M14	2		
113-45	K3240000020	PISTON PUMP, PV1616AR	1		
113-46	K0000120452	BOLT, M12-45	1		
113-47	K3145000610	HOSE, SSC35-710	1		
113-48	K3191006100	COIL TUBE, SP-15 TYPE 610	1		
113-49	K3145000600	HOSE, SSC35-660	1		
113-50	K3192005600	COIL TUBE, SP-20 TYPE 560	1		
113-51	LM318-0708ZD	MOUNT, PUMP	1		
113-52	K0000080602	BOLT, M8-60	2		
113-53	K0100140002	NUT, M14	2		
113-54	K0200140002	SPRING WASHER, M14	2		
113-55	K3006000102-Y	ELBOW, ODD SIZED PT3/4 X PF1/2	1		
113-56	K3024000012-Y	BUSH, CAST IRON 1 X 3/4	1		
113-57	K3412000030	FILTER, SP08-10-03	1		
113-58	K3412000060	FILTER, FOR THE SUBSTITUTE C-SP08H-10	1		
113-59	K3006000112-Y	ELBOW, ODD SIZED PT1 X PF3/4	1		
113-60	K5000100002	WASHER, M10	2		
113-61	K0100080002	NUT, M8	5		
113-62	K0000100202	BOLT, M10-20	2		
113-63	K0100120002	NUT, M12	1		
113-64	K0200120002	SPRING WASHER, M12	1		
113-65	K5000120002	WASHER, M12	1		
113-66	K0200100002	SPRING WASHER, M10	2		
113-67	K3291000190	WHEEL MOTOR, 2-200BS4S	2		
113-68	Y61090S	SEAL KIT, 2000 ORBIT MOTOR (FOR REAR)	2		
113-69	Y61091S	SEAL KIT, 2000 ORBIT MOTOR (FOR SHAFT)	2		
113-70	LM285-0785Z2-Y	PIPE, FOR PUMP A2	1		

### 113. Hydraulic parts C (Front wheel motor system)





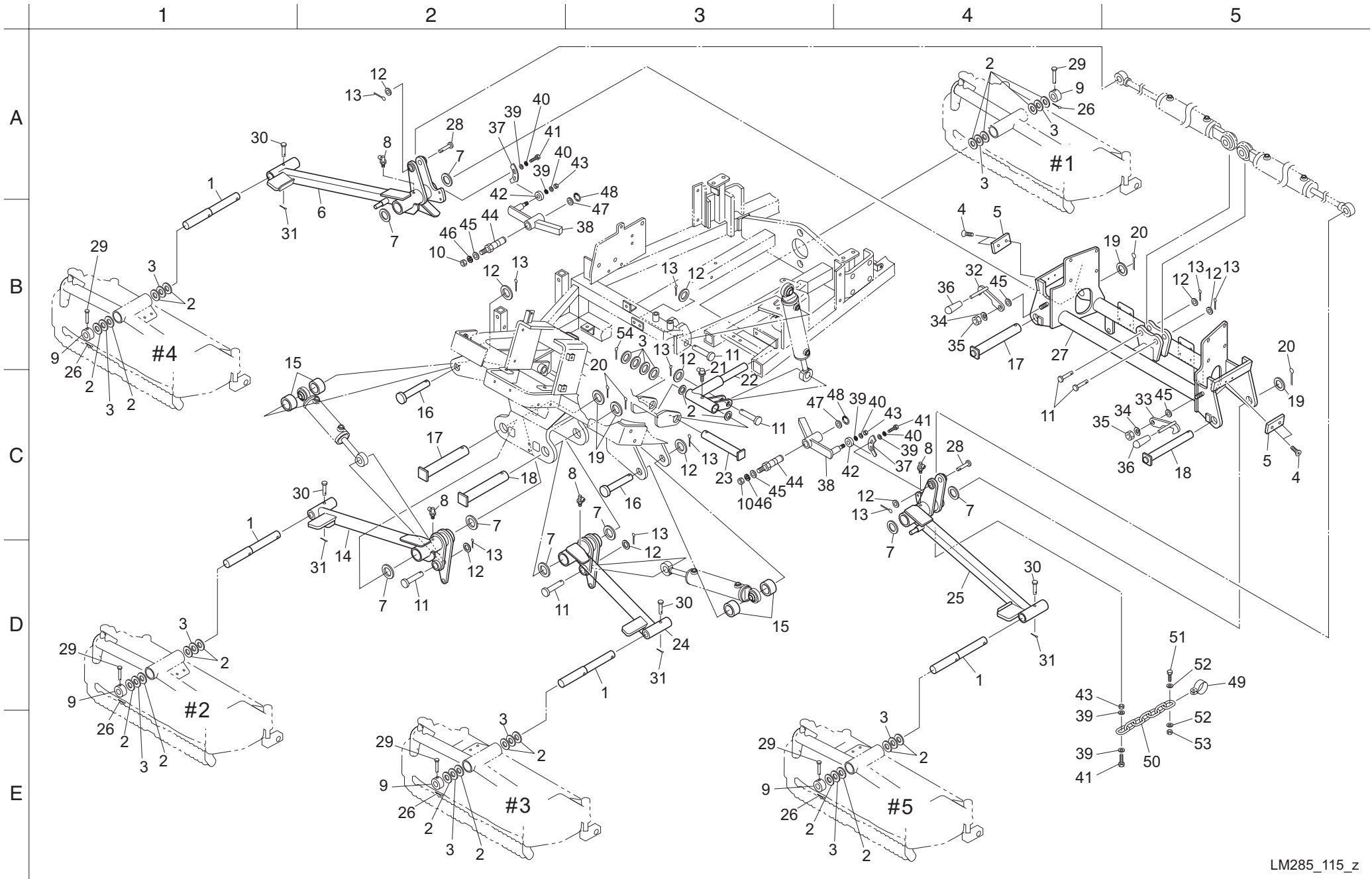
114. Hydraulic parts C (Rear wheel motor system)



Cat No.	Code No.	Part name	Qty	Remark	SN of application
114-1	K0200080002	SPRING WASHER, M8	2		
114-2	K0003080552	BOLT, M8-55	2		
114-3	K3007000022-Y	ADAPTOR, ODD SIZED PT1/2 X PF3/8	1		
114-4	K3101311700	HOSE, WP70-9-1-1700	1		
114-5	K3190014900	COIL TUBE, SP-12 TYPE 1490	1		
114-6	K0881011000	O-RING, P11B	2		
114-7	K0881018000	O-RING, P18B	4		
114-8	K3007000012-Y	ADAPTOR, ODD SIZED PT1/2 X PF3/4	1		
114-9	K3022080002-Y	ELBOW, FEMALE-MALE STEPT1/2	1		
114-10	K3006000122-Y	ELBOW, ODD SIZED PT1/2 X PF3/4	1		
114-11	K3104531010	HOSE, WP175-15-3-1010	1		
114-12	K3192008150	COIL TUBE, SP-20 TYPE 815	1		
114-13	K3104531050	HOSE, WP175-15-3-1050	1		
114-14	K3192008950	COIL TUBE, SP-20 TYPE 895	1		
114-15	K3008000162-Y	ELBOW, 90 DEG. ADJUSTABLE UNF	2		
114-16	K0887009100	O-RING, AS568-910	2		
114-17	K3003120002-Y	ELBOW, 45 DEG. 1035-12	4		
114-18	K3145000410	HOSE, IB175-650	4		
114-19	K3191005150	COIL TUBE, SP-15 TYPE 515	4		
114-20	K3145000260	HOSE, SSC35-770	2		
114-21	K3190006750	COIL TUBE, SP-12 TYPE 675	2		
114-22	K3006000012-Y	ELBOW, ODD SIZED PT3/8 X PF1/4	2		
114-23	K3021060002-Y	TEE, SCREWED TYPE TEFPT3/8	1		
114-24	K3003090002-Y	ELBOW, 45 DEG. 1035-9	1		
114-25	K0073000022	BOLT, WITH FRICTION RING, M6-40	1		
114-26	K0100060002	NUT, M6	2		
114-27	K3321000020	MANIFOLD, WITH RELIEF VALVE	1		
114-28	K0200060002	SPRING WASHER, M6	2		
114-29	K3291000190	WHEEL MOTOR, 2-200BS4S	2		
114-30	Y61090S	SEAL KIT, 2000 ORBIT MOTOR (FOR REAR)	2		
114-31	Y61091S	SEAL KIT, 2000 ORBIT MOTOR (FOR SHAFT)	2		

Cat No.	Code No.	Part name	Qty	Remark	SN of application

115. Mower lift arm parts/TYPE\_R

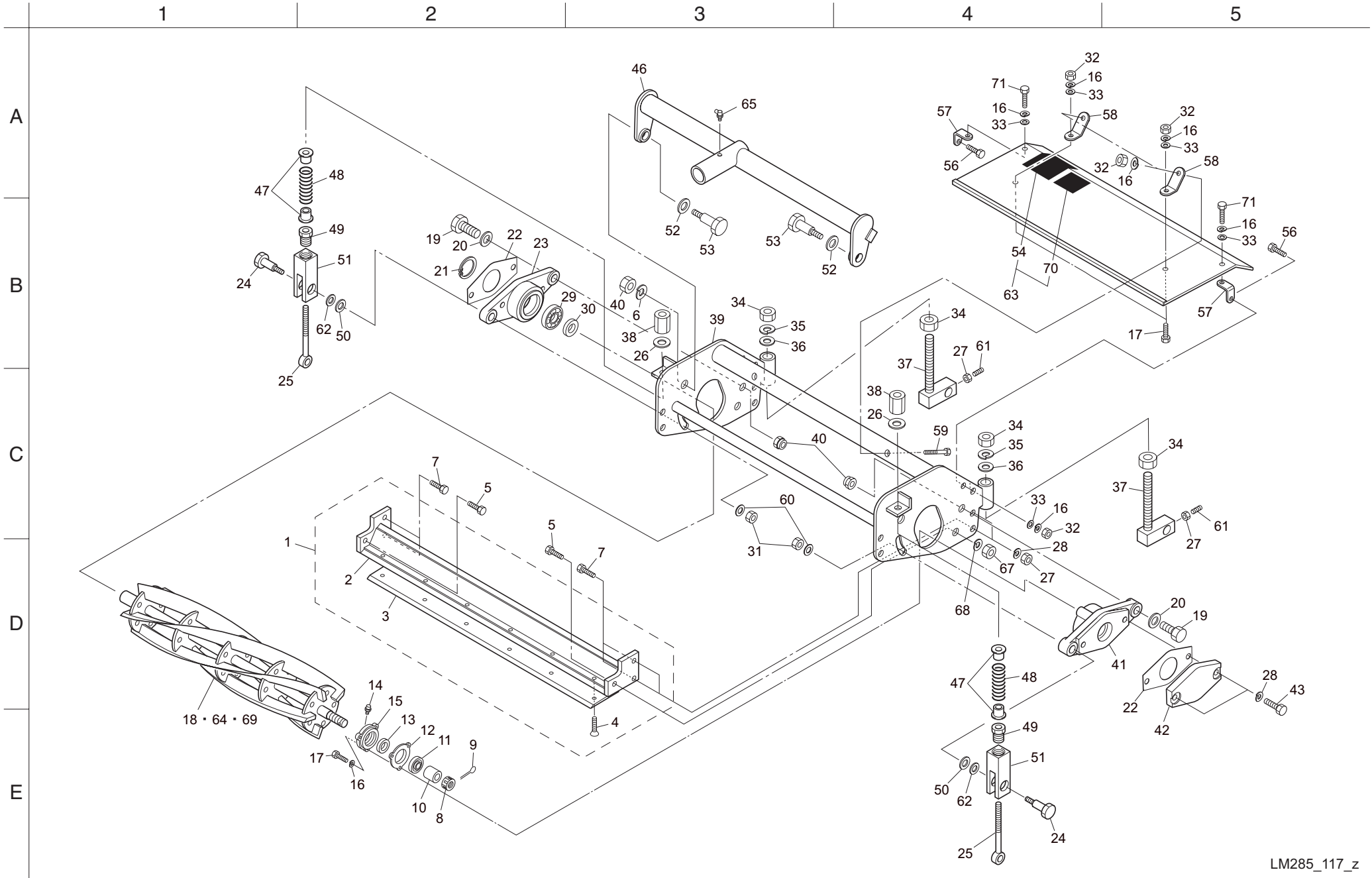




Cat No.	Code No.	Part name	Qty	Remark	SN of application
115-1	K6155000220	SHAFT	4		
115-2	K5051025370	WASHER, C5191P 1-25.4-37	22		
115-3	K5011025372	WASHER, SPCC 1-25.4-37	14		
115-4	K0041060152	SCREW, FLAT HEAD WITH + M6-15	4		
115-5	K4033000380	RUBBER, PLATE STOPPER	2		
115-6	LM285-0203AD	ARM, LIFTING (REAR RIGHT)	1		
115-7	K5051030420	WASHER, C5191P 1-30-42	8		
115-8	K1440000030	GREASE NIPPLE, B TYPE	4		
115-9	K6215000142	COLLAR, WITH HOLE M26-32-15	5		
115-10	K0103140002	NUT, M14 PITCH 1.5	2		
115-11	K6030200572	PIN, FLAT HEAD M20-57	6		
115-12	K5012320402	WASHER, SPCC 2.3-20-40	10		
115-13	K0300032402	COTTER PIN, 3.2-40	10		
115-14	LM285-0205AD	ARM, LIFTING (FRONT RIGHT)	1		
115-15	K6212000372	COLLAR, STKM M20.2-25.4-14.5	4		
115-16	LM318-0209Z2	PIN, CYLINDER 84	2		
115-17	K7147000232	PIN, WITH HOLE M30-196	2		
115-18	LM318-0221Z2	SHAFT, MOWER ARM (FRONT LEFT)	2		
115-19	K5012330452	WASHER, SPCC 2.3-30-45	4		
115-20	K0300040502	COTTER PIN, 4-50	4		
115-21	K1440000020	GREASE NIPPLE, C TYPE	1		
115-22	LM318-0220AD	ARM, LIFT REAR	1		
115-23	K7147000242	PIN, WITH HOLE M25.4-160	1		
115-24	LM285-0204AD	ARM, LIFTING (FRONT LEFT)	1		
115-25	LM285-0202AD	ARM, LIFTING (REAR LEFT)	1		
115-26	K0340800002	RETAINING PIN, 8	5		
115-27	LM285-0201AD	FLAME, ARM	1		
115-28	K6030200802	PIN, FLAT HEAD M20-80	2		
115-29	K6040080402	PIN, ROUND HEAD M8-40	5		
115-30	K6041080488	PIN, HARDENED ROUND HEAD M8-48.5	4		
115-31	K0300032252	COTTER PIN, 3.2-25	4		
115-32	LM285-0210ZD	LEVER, LOCK B	1		
115-33	LM285-0209ZD	LEVER, LOCK A	1		
115-34	K0210140002	DISC SPRING, LIGHT LOADING M14	2		
115-35	K0145140002	NUT, WITH FRICTION RING, M14 PITCH 1.5	2		

Cat No.	Code No.	Part name	Qty	Remark	SN of application
115-36	K1300000110	GRIP, YELLOW 9-22	2		
115-37	LM285-0208Z2	CAM	2		
115-38	LM285-0206ZD	LEVER, UNLOAD	2		
115-39	K5000080002	WASHER, M8	10		
115-40	K0200080002	SPRING WASHER, M8	6		
115-41	K0000080252	BOLT, M8-25	6		
115-42	K0608006290	BEARING, 6292R5	2		
115-43	K0100080002	NUT, M8	4		
115-44	K6123000112	SHAFT, WITH SCREWED HEAD M14-95.5	2		
115-45	K5000140002	WASHER, M14	4		
115-46	K0200140002	SPRING WASHER, M14	2		
115-47	K5051016240	WASHER, C5191P 1-16-24	2		
115-48	K0400012002	RETAINING RING E12	2		
115-49	K4270035060	CLAMP, 35 M6	2		
115-50	K4532000092	CHAIN, OF ALL WORK 4.8-7LINKS	2		
115-51	K0000060252	BOLT, M6-25	2		
115-52	K5012306162	WASHER, SPCC 2.3-6-16	4		
115-53	K0144060002	NUT, WITH FRICTION RING, M6	2		
115-54	K0300040322	COTTER PIN, 4-32	1		

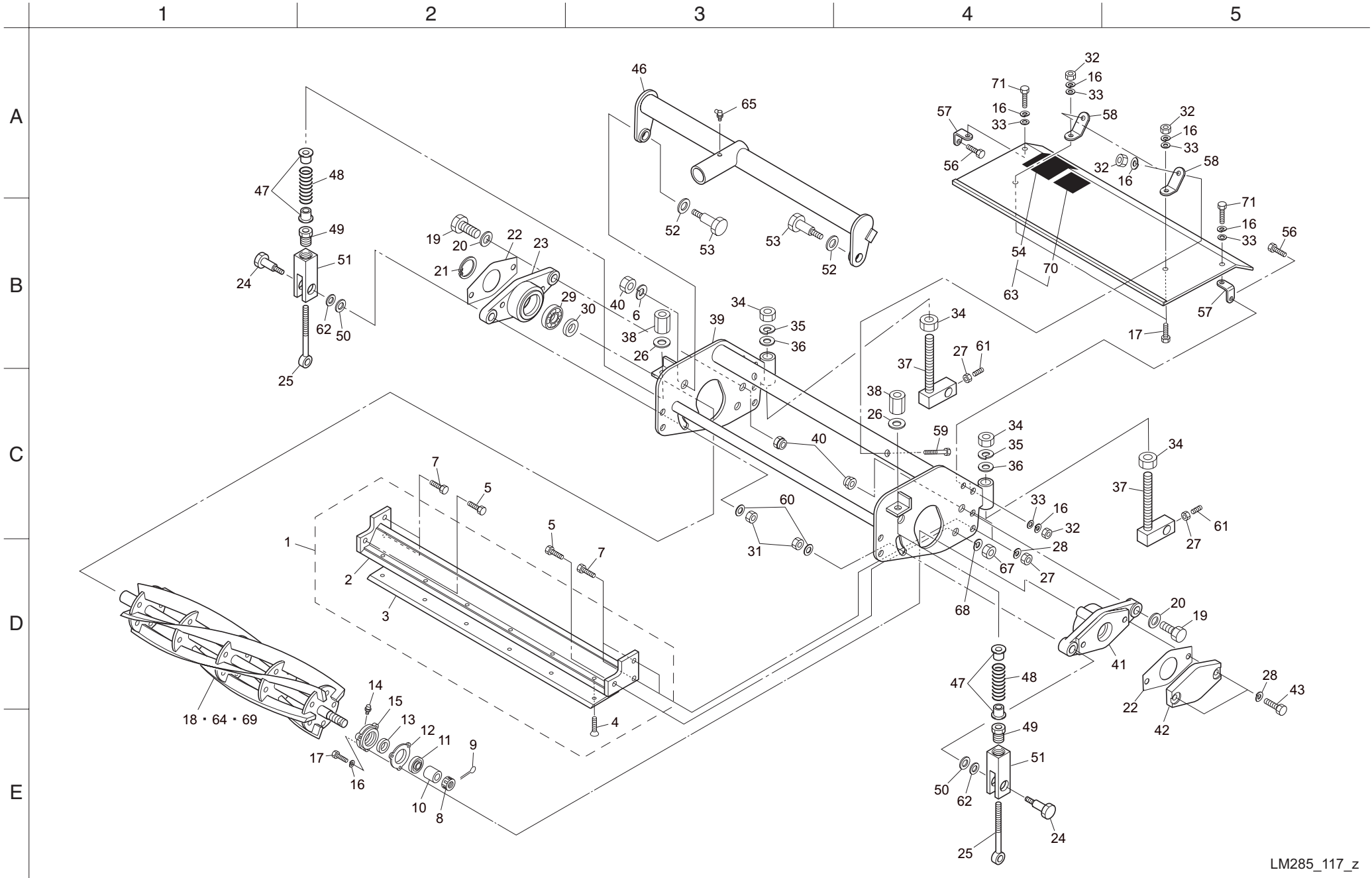
117. Mower parts/TYPE\_R (#1)



Cat No.	Code No.	Part name	Qty	Remark	SN of application
117-1	K8022000020	KNIFE ASSY 180-RIGHT & LEFT MOWER	1		
117-2	K744200006R	MOUNT, FOR BED KNIFE(BOTTOM BLADE) 732	1		
117-3	K2510000030	BED-KNIFE (BOTTOM BLADE), 85-662	1		
117-4	K0071000092	SCREW, HEAT-TREATED FLATHEAD M10-20	6		
117-5	K0000120302	BOLT, M12-30	2		
117-6	K0200140002	SPRING WASHER, M14	2		
117-7	K0000100252	BOLT, M10-25	4		
117-8	K0170000012	SLOTTED NUT, SPECIAL TYPE M20	1		
117-9	K0300032252	COTTER PIN, 3.2-25	1		
117-10	K6212001742	COLLAR, STKM M20.2-28-18	1		
117-11	K0602063040	BEARING, 6304Z	1		
117-12	K4011000150	PACKING, OIL-SHEET	1		
117-13	K0822542080	OIL SEAL, MHSA25428	1		
117-14	K1440000010	GREASE NIPPLE, A TYPE	1		
117-15	K6903000042	CAP, HOUSING	1		
117-16	K0200060002	SPRING WASHER, M6	11		
117-17	K0000060152	BOLT, M6-15	5		
117-18	K285260R90R	REEL CUTTER (CYLINDER), 660-9R	1	9 Blades	
117-19	K0071001132	BOLT, SUPPORT SHAFT	2		
117-20	K5012314252	WASHER, SPCC 2.3-14-25	2		
117-21	K0402072001	RETAINING RING, R72	1		
117-22	K4011000290	PACKING, OIL-SHEET	2		
117-23	K6903000202	HOUSING, HYDRAULIC MOTOR B	1		
117-24	K6082000122	BOLT, STEPPED HEXAGON HEADED	2		
117-25	K7303000182	BOLT, ADJUSTING CUTTER	2		
117-26	K5051010160	WASHER, C5191P 1-10-16	2		
117-27	K0100100002	NUT, M10	6		
117-28	K0200100002	SPRING WASHER, M10	6		
117-29	K0602062070	BEARING, 6207Z	1		
117-30	K0823560120	OIL SEAL, MHSA356012	1		
117-31	K0145100002	NUT, WITH FRICTION RING, M10 PITCH 1.25	2		
117-32	K0100060002	NUT, M6	6		
117-33	K5000060002	WASHER, M6	6		
117-34	K0108180002	NUT, M18-3 PITCH 1.5	4		
117-35	K0200180002	SPRING WASHER, M18	2		

Cat No.	Code No.	Part name	Qty	Remark	SN of application
117-36	K5012018282	WASHER, SPCC 2-18-28	2		
117-37	LM526A-0108Z2	SCREW, CUTTING HEIGHT ADJUSTING	2		
117-38	K0160000032	NUT, ADJUSTING BED-KNIFE M10 PITCH 1	2		
117-39	K705200006R	FRAME, MOWER	1		
117-40	K0105140002	NUT, M14-3 PITCH 1.5	4		
117-41	K6903000212	HOUSING, REEL	1		
117-42	K690300017D	COVER, REEL HOUSING	1		
117-43	K0000100452	BOLT, M10-45	2		
117-44					
117-45					
117-46	LM282-0158ZR	FRAME, MOWER (REAR)	1	#1MOWER	
117-47	K6206000052	RECEIVER, FOR SPRING	4		
117-48	K1000000458	COMPRESSION SPRING, M5-25-60	2		
117-49	K6081000082	PIPE, WITH CUTTER ADJUSTING SCREW	2		
117-50	K5012310172	WASHER, SPCC 2.3-10-17	2		
117-51	K6090000552	BASE, ADJUSTING SCREW MOUNTING	2		
117-52	K5011020282	WASHER, SPCC 1-20-28	2		
117-53	K6082000132	BOLT, STEPPED HEXAGON HEADED	2		
117-54	K4205001600	DECAL, CAUTION TO MUTILATION	1		
117-55					
117-56	K0000060202	BOLT, M6-20	2		
117-57	K5206000522	PLATE, FOR FIXING COVER	2		
117-58	K527600041R	PLATE, FOR FIXING COVER	2		
117-59	K0000060502	BOLT, M6-50	2		
117-60	K5073210242	WASHER, SPHC 3.2-10-24	2		
117-61	K0023100251	SETSCREW, M10-25	2		
117-62	K0214100002	WASHER, DISK SPRING TYPE 2 LIGHT LOAD M10	2		
117-63	LM282-0140A0	COVER, REEL WITH MARK (FRONT)	1	#1MOWER	
117-64	K285260R70R	REEL CUTTER (CYLINDER), 660-7R	1	7 Blades	
117-65	K1440000020	GREASE NIPPLE, C TYPE	1		
117-66					
117-67	K0100120002	NUT, M12	2		
117-68	K0200120002	SPRING WASHER, M12	2		
117-69	K285260R50R	REEL CUTTER (CYLINDER), 660-5R	1	5 Blades	
117-70	K4205001650	DECAL, CAUTION TO FRYING OBJECT	1		

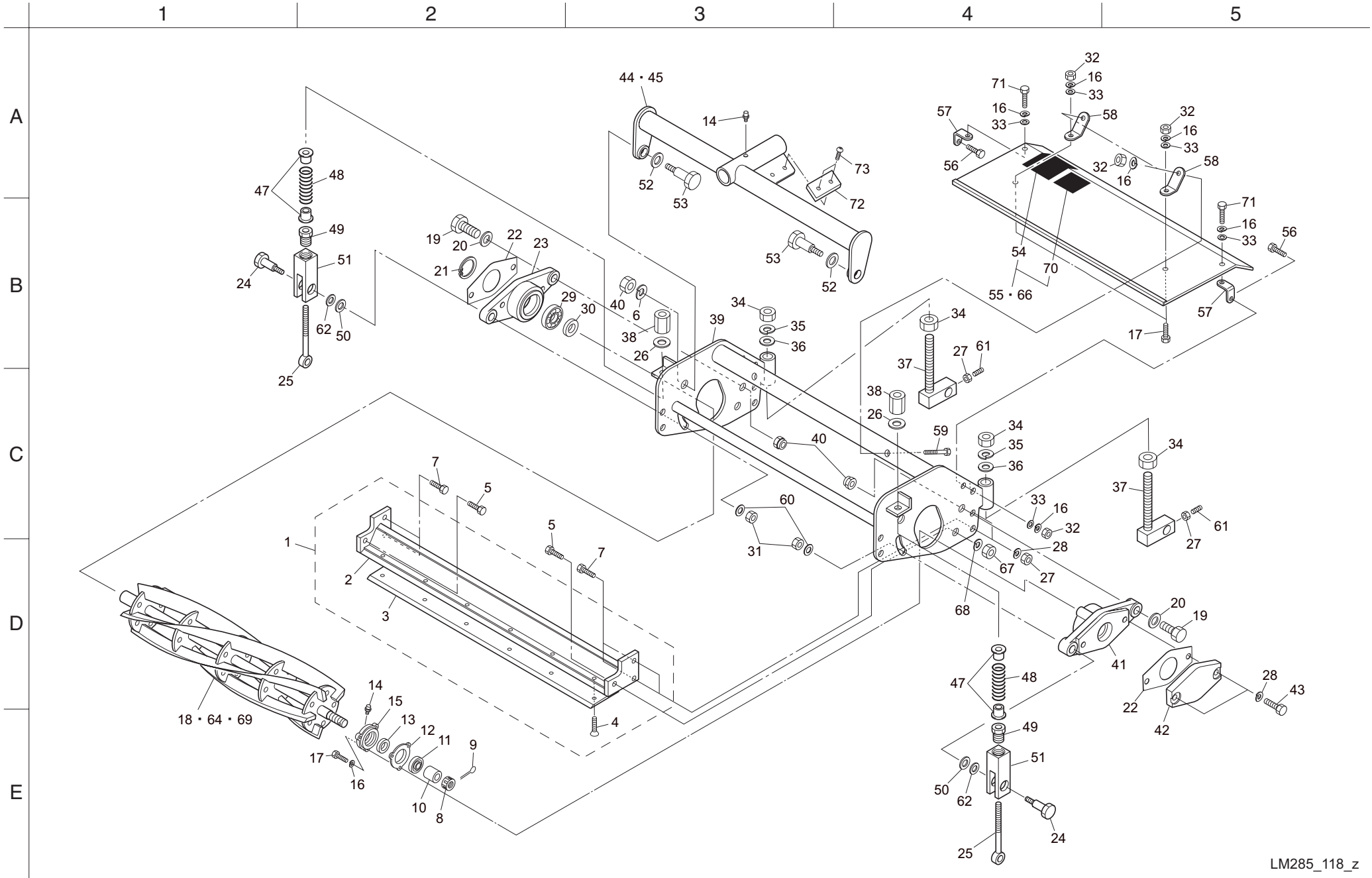
117. Mower parts/TYPE\_R (#1)



Cat No.	Code No.	Part name	Qty	Remark	SN of application
117-71	K0000060102	BOLT, M6-10	2		
117-72					
117-73					

Cat No.	Code No.	Part name	Qty	Remark	SN of application

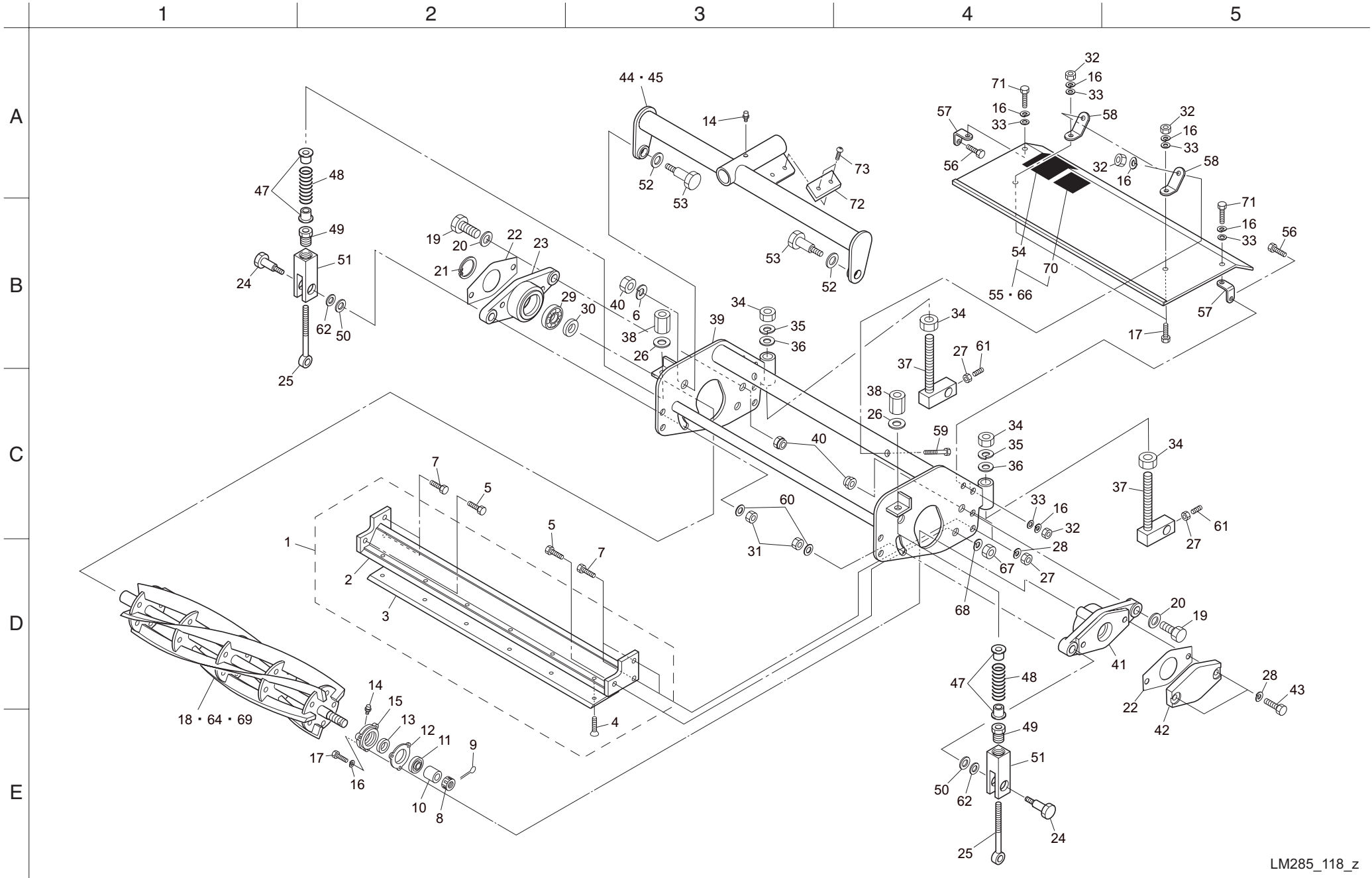
118. Mower parts/TYPE\_R (#2•#5)



Cat No.	Code No.	Part name	Qty	Remark	SN of application
118-1	K8022000020	KNIFE ASSY 180-RIGHT & LEFT MOWER	1		
118-2	K744200006R	MOUNT, FOR BED KNIFE(BOTTOM BLADE) 732	1		
118-3	K2510000030	BED-KNIFE (BOTTOM BLADE), 85-662	1		
118-4	K0071000092	SCREW, HEAT-TREATED FLATHEAD M10-20	6		
118-5	K0000120302	BOLT, M12-30	2		
118-6	K0200140002	SPRING WASHER, M14	2		
118-7	K0000100252	BOLT, M10-25	4		
118-8	K0170000012	SLOTTED NUT, SPECIAL TYPE M20	1		
118-9	K0300032252	COTTER PIN, 3.2-25	1		
118-10	K6212001742	COLLAR, STKM M20.2-28-18	1		
118-11	K0602063040	BEARING, 6304Z	1		
118-12	K4011000150	PACKING, OIL-SHEET	1		
118-13	K0822542080	OIL SEAL, MHSA25428	1		
118-14	K1440000010	GREASE NIPPLE, A TYPE	4		
118-15	K6903000042	CAP, HOUSING	1		
118-16	K0200060002	SPRING WASHER, M6	11		
118-17	K0000060152	BOLT, M6-15	5		
118-18	K285260R90R	REEL CUTTER (CYLINDER), 660-9R	1	9 Blades	
118-19	K0071001132	BOLT, SUPPORT SHAFT	2		
118-20	K5012314252	WASHER, SPCC 2.3-14-25	2		
118-21	K0402072001	RETAINING RING, R72	1		
118-22	K4011000290	PACKING, OIL-SHEET	2		
118-23	K6903000202	HOUSING, HYDRAULIC MOTOR B	1		
118-24	K6082000122	BOLT, STEPPED HEXAGON HEADED	2		
118-25	K7303000182	BOLT, ADJUSTING CUTTER	2		
118-26	K5051010160	WASHER, C5191P 1-10-16	2		
118-27	K0100100002	NUT, M10	6		
118-28	K0200100002	SPRING WASHER, M10	6		
118-29	K0602062070	BEARING, 6207Z	1		
118-30	K0823560120	OIL SEAL, MHSA356012	1		
118-31	K0145100002	NUT, WITH FRICTION RING, M10 PITCH 1.25	2		
118-32	K0100060002	NUT, M6	6		
118-33	K5000060002	WASHER, M6	6		
118-34	K0108180002	NUT, M18-3 PITCH 1.5	4		
118-35	K0200180002	SPRING WASHER, M18	2		

Cat No.	Code No.	Part name	Qty	Remark	SN of application
118-36	K5012018282	WASHER, SPCC 2-18-28	2		
118-37	LM526A-0108Z2	SCREW, CUTTING HEIGHT ADJUSTING	2		
118-38	K0160000032	NUT, ADJUSTING BED-KNIFE M10 PITCH 1	2		
118-39	K705200006R	FRAME, MOWER	1		
118-40	K0105140002	NUT, M14-3 PITCH 1.5	4		
118-41	K6903000212	HOUSING, REEL	1		
118-42	K690300017D	COVER, REEL HOUSING	1		
118-43	K0000100452	BOLT, M10-45	2		
118-44	LM285--0102ZR	ARM, MOWER #2 & #4	1	#2MOWER	
118-45	LM285--0101ZR	ARM, MOWER #3 & #5	1	#5MOWER	
118-46					
118-47	K6206000052	RECEIVER, FOR SPRING	4		
118-48	K1000000458	COMPRESSION SPRING, M5-25-60	2		
118-49	K6081000082	PIPE, WITH CUTTER ADJUSTING SCREW	2		
118-50	K5012310172	WASHER, SPCC 2.3-10-17	2		
118-51	K6090000552	BASE, ADJUSTING SCREW MOUNTING	2		
118-52	K5011020282	WASHER, SPCC 1-20-28	2		
118-53	K6082000132	BOLT, STEPPED HEXAGON HEADED	2		
118-54	K4205001600	DECAL, CAUTION TO MUTILATION	1		
118-55	K9010000110	COVER, FOR REEL WITH MARK (LEFT)	1	#2MOWER	
118-56	K0000060202	BOLT, M6-20	2		
118-57	K5206000522	PLATE, FOR FIXING COVER	2		
118-58	K527600041R	PLATE, FOR FIXING COVER	2		
118-59	K0000060502	BOLT, M6-50	2		
118-60	K5073210242	WASHER, SPHC 3.2-10-24	2		
118-61	K0023100251	SETSCREW, M10-25	2		
118-62	K0214100002	WASHER, DISK SPRING TYPE 2 LIGHT LOAD M10	2		
118-63					
118-64	K285260R70R	REEL CUTTER (CYLINDER), 660-7R	1	7 Blades	
118-65					
118-66	K9010000120	COVER, FOR REEL WITH MARK (RIGHT)	1	#5MOWER	
118-67	K0100120002	NUT, M12	2		
118-68	K0200120002	SPRING WASHER, M12	2		
118-69	K285260R50R	REEL CUTTER (CYLINDER), 660-5R	1	5 Blades	
118-70	K4205001650	DECAL, CAUTION TO FRYING OBJECT	1		

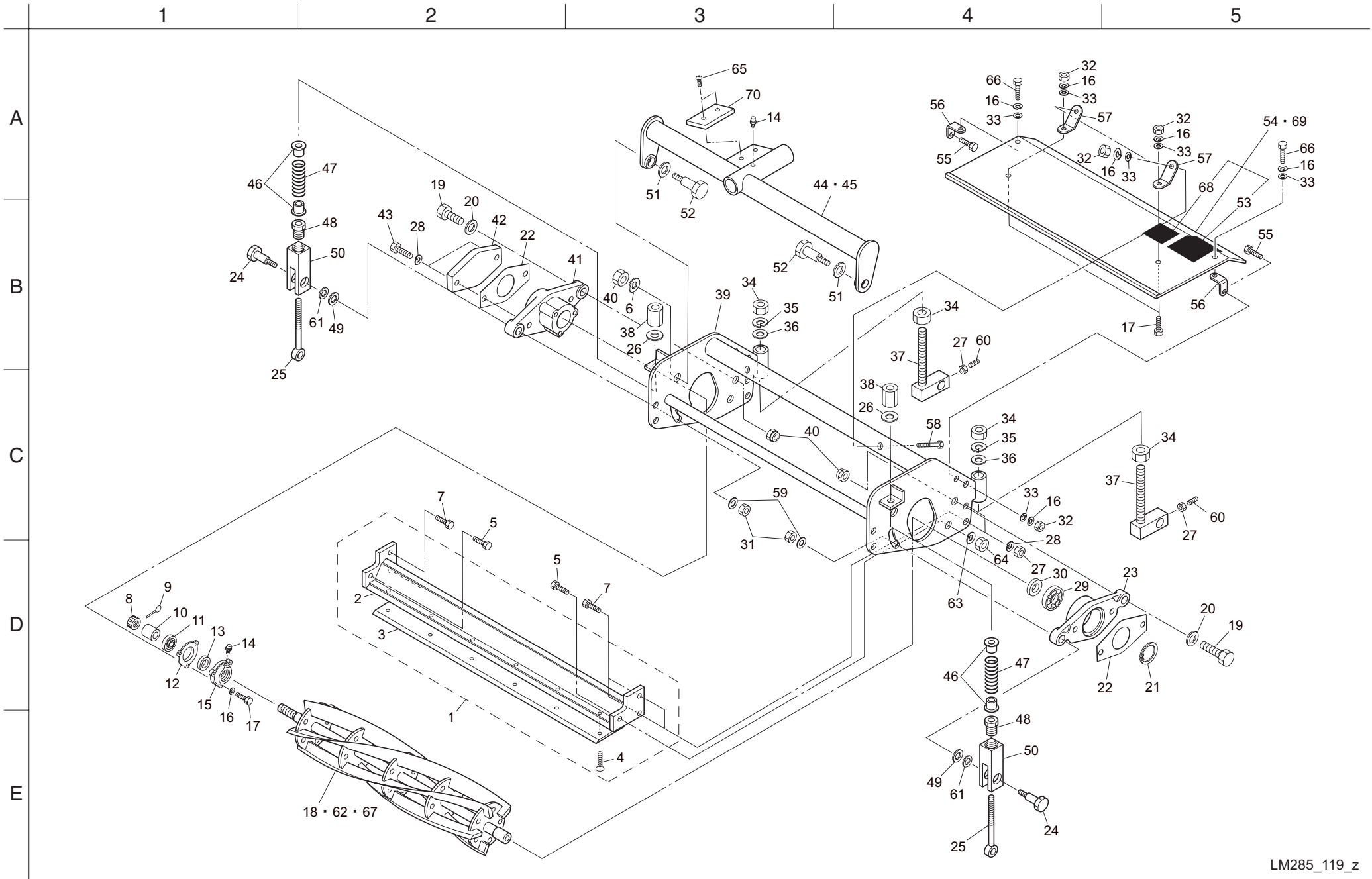
118. Mower parts/TYPE\_R (#2•#5)







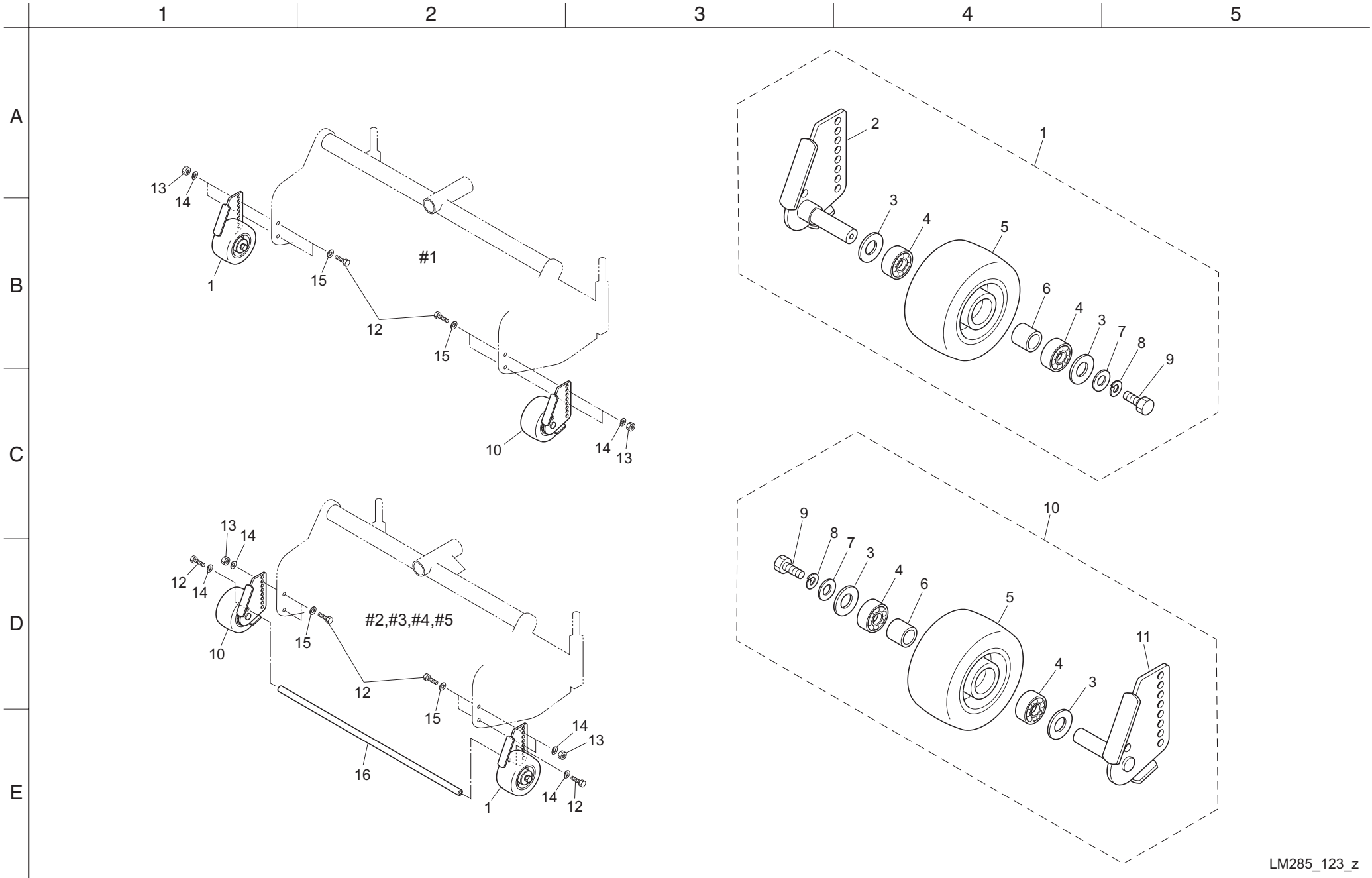
119. Mower parts/TYPE\_R (#3•#4)



Cat No.	Code No.	Part name	Qty	Remark	SN of application
119-1	K8022000020	KNIFE ASSY 180-RIGHT & LEFT MOWER	1		
119-2	K744200006R	MOUNT, FOR BED KNIFE(BOTTOM BLADE) 732	1		
119-3	K2510000030	BED-KNIFE (BOTTOM BLADE), 85-662	1		
119-4	K0071000092	SCREW, HEAT-TREATED FLATHEAD M10-20	6		
119-5	K0000120302	BOLT, M12-30	2		
119-6	K0200140002	SPRING WASHER, M14	2		
119-7	K0000100252	BOLT, M10-25	4		
119-8	K0170000012	SLOTTED NUT, SPECIAL TYPE M20	1		
119-9	K0300032252	COTTER PIN, 3.2-25	1		
119-10	K6212001742	COLLAR, STKM M20.2-28-18	1		
119-11	K0602063040	BEARING, 6304Z	1		
119-12	K4011000150	PACKING, OIL-SHEET	1		
119-13	K0822542080	OIL SEAL, MHSA25428	1		
119-14	K1440000010	GREASE NIPPLE, A TYPE	2		
119-15	K6903000042	CAP, HOUSING	1		
119-16	K0200060002	SPRING WASHER, M6	11		
119-17	K0000060152	BOLT, M6-15	5		
119-18	K285260L90R	REEL CUTTER (CYLINDER), 660-9L	1	9 Blades	
119-19	K0071001132	BOLT, SUPPORT SHAFT	2		
119-20	K5012314252	WASHER, SPCC 2.3-14-25	2		
119-21	K0402072001	RETAINING RING, R72	1		
119-22	K4011000290	PACKING, OIL-SHEET	2		
119-23	K6903000192	HOUSING, HYDRAULIC MOTOR A	1		
119-24	K6082000122	BOLT, STEPPED HEXAGON HEADED	2		
119-25	K7303000182	BOLT, ADJUSTING CUTTER	2		
119-26	K5051010160	WASHER, C5191P 1-10-16	2		
119-27	K0100100002	NUT, M10	6		
119-28	K0200100002	SPRING WASHER, M10	6		
119-29	K0602062070	BEARING, 6207Z	1		
119-30	K0823560120	OIL SEAL, MHSA356012	1		
119-31	K0145100002	NUT, WITH FRICTION RING, M10 PITCH 1.25	2		
119-32	K0100060002	NUT, M6	6		
119-33	K5000060002	WASHER, M6	8		
119-34	K0108180002	NUT, M18-3 PITCH 1.5	4		
119-35	K0200180002	SPRING WASHER, M18	2		

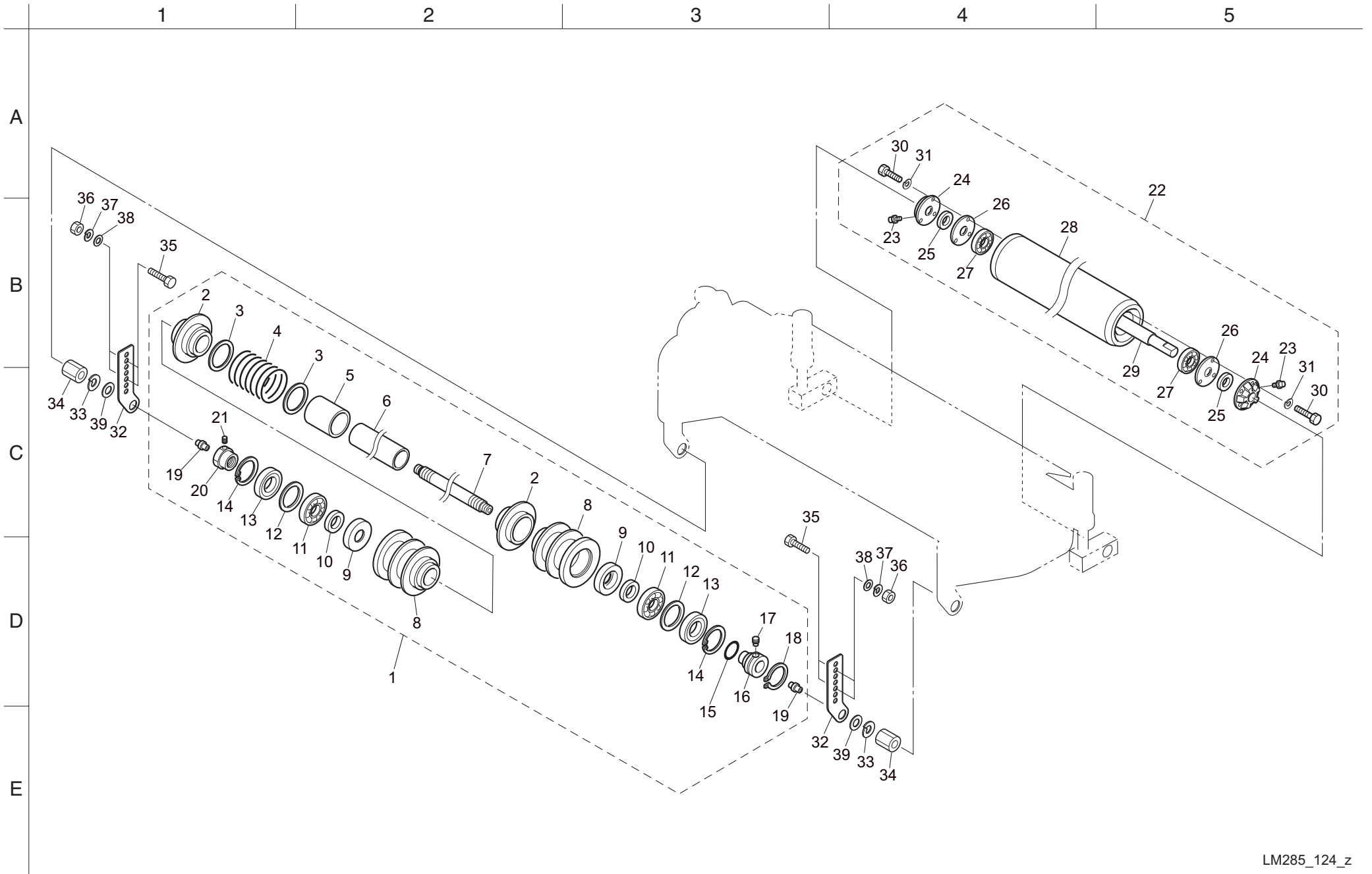
Cat No.	Code No.	Part name	Qty	Remark	SN of application
119-36	K5012018282	WASHER, SPCC 2-18-28	2		
119-37	LM526A-0108Z2	SCREW, CUTTING HEIGHT ADJUSTING	2		
119-38	K0160000032	NUT, ADJUSTING BED-KNIFE M10 PITCH 1	2		
119-39	K705200006R	FRAME, MOWER	1		
119-40	K0105140002	NUT, M14-3 PITCH 1.5	4		
119-41	K6903000212	HOUSING, REEL	1		
119-42	K690300017D	COVER, REEL HOUSING	1		
119-43	K0000100452	BOLT, M10-45	2		
119-44	LM285--0102ZR	ARM, MOWER #2 & #4	1	#4MOWER	
119-45	LM285--0101ZR	ARM, MOWER #3 & #5	1	#3MOWER	
119-46	K6206000052	RECEIVER, FOR SPRING	4		
119-47	K1000000458	COMPRESSION SPRING, M5-25-60	2		
119-48	K6081000082	PIPE, WITH CUTTER ADJUSTING SCREW	2		
119-49	K5012310172	WASHER, SPCC 2.3-10-17	2		
119-50	K6090000552	BASE, ADJUSTING SCREW MOUNTING	2		
119-51	K5011020282	WASHER, SPCC 1-20-28	2		
119-52	K6082000132	BOLT, STEPPED HEXAGON HEADED	2		
119-53	K4205001600	DECAL, CAUTION TO MUTILATION	1		
119-54	K9010000120	COVER, FOR REEL WITH MARK (RIGHT)	1	#3MOWER	
119-55	K0000060202	BOLT, M6-20	2		
119-56	K5206000522	PLATE, FOR FIXING COVER	2		
119-57	K527600041R	PLATE, FOR FIXING COVER	2		
119-58	K0000060502	BOLT, M6-50	2		
119-59	K5073210242	WASHER, SPHC 3.2-10-24	2		
119-60	K0023100251	SETSCREW, M10-25	2		
119-61	K0214100002	WASHER, DISK SPRING TYPE 2 LIGHT LOAD M10	2		
119-62	K285260L70R	REEL CUTTER (CYLINDER), 660-7L	1	7 Blades	
119-63	K0200120002	SPRING WASHER, M12	2		
119-64	K0100120002	NUT, M12	2		
119-65	K0041060152	SCREW, FLAT HEAD WITH + M6-15	2		
119-66	K0000060102	BOLT, M6-10	2		
119-67	K285260L50R	REEL CUTTER (CYLINDER), 660-5L	1	5 Blades	
119-68	K4205001650	DECAL, CAUTION TO FRYING OBJECT	1		
119-69	K9010000110	COVER, FOR REEL WITH MARK (LEFT)	1	#4MOWER	
119-70	K4033000380	RUBBER, PLATE STOPPER	1		

123. Wheel parts



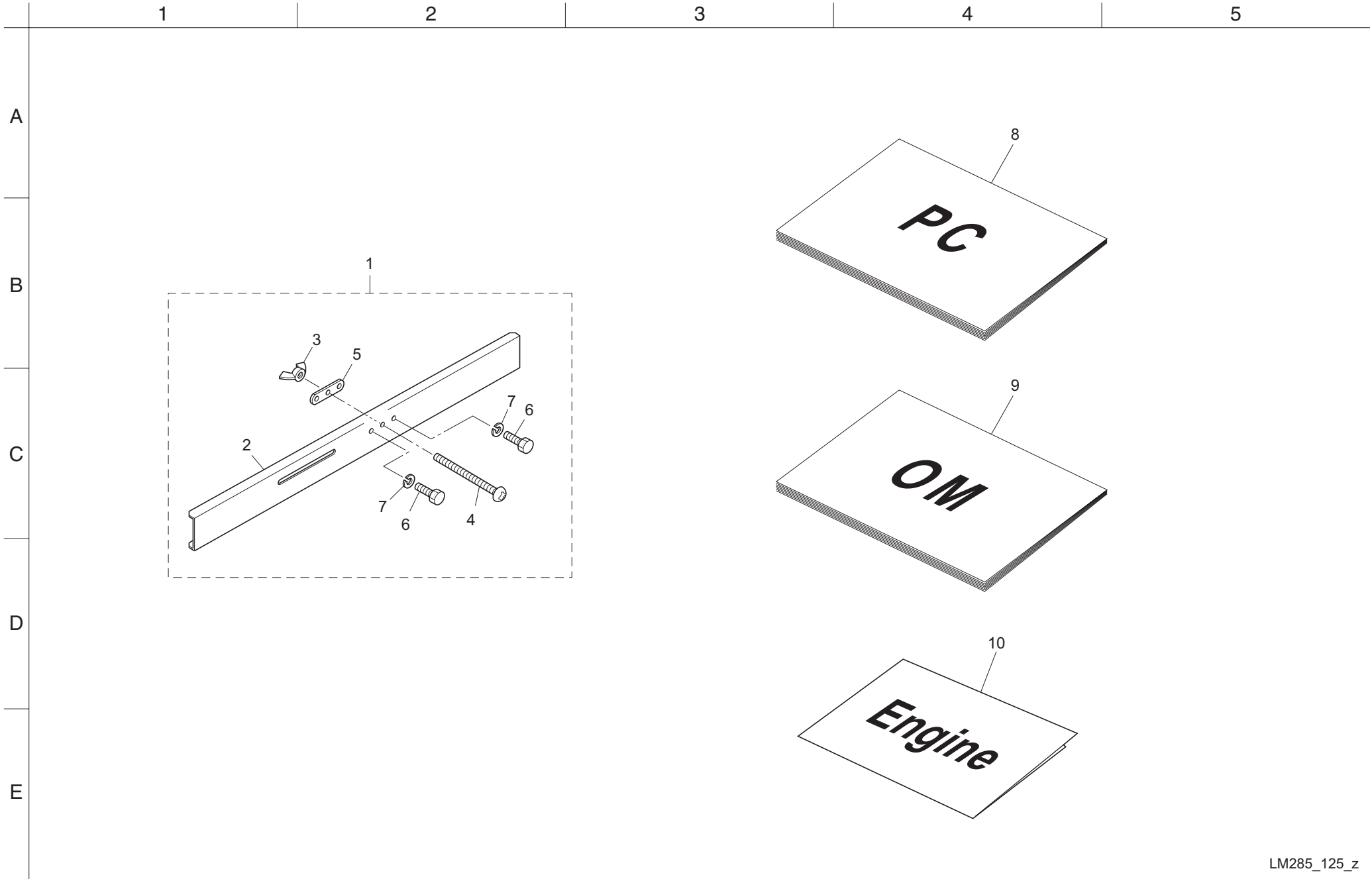


124. Roller Ass'y parts





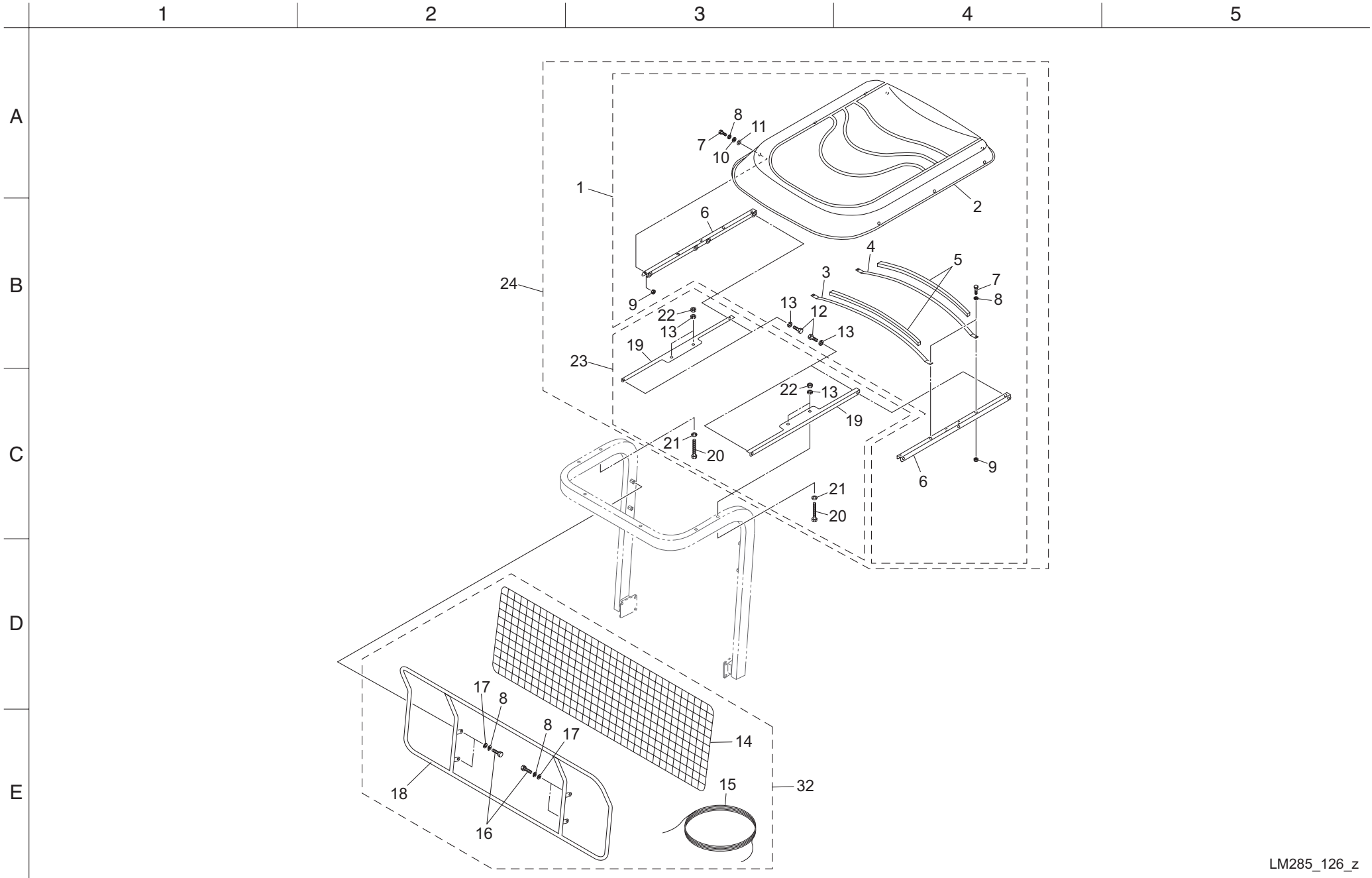
125. Accessory parts







126. Option





**BARONESS**<sup>®</sup>  
Quality on Demand

 **KYOEISHA CO., LTD.**  
Head Office 1-26, Miyuki-cho, Toyokawa, Tel : (0533)84-1390  
Aichi-Pref. 442-8530 Japan. Fax : (0533)89-3623