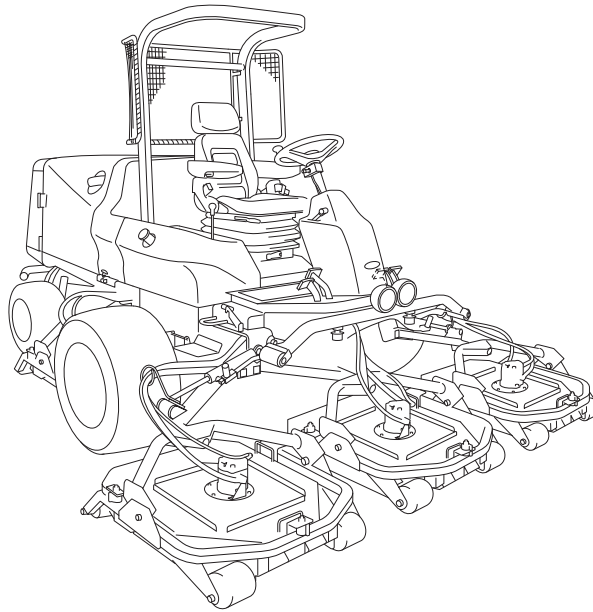


# ***GM2810***

5-Unit Rotary Mower

## Owner's Operating Manual



Serial No. GM2810 : 10001-

"Required reading"

Read this manual and the Owner's Manual for the engine before using the machine.

---

**BARONESS**<sup>®</sup>  
Quality on Demand

Original Instructions Ver.1.0

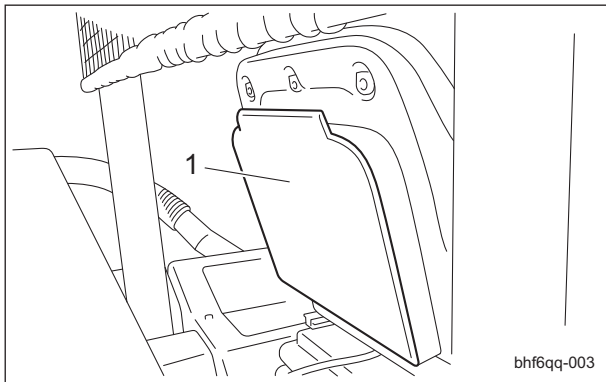
# Greeting

---

Thank you for purchasing the Baroness machine. This manual explains proper handling, adjustment, and inspection of your machine. Prior to use, carefully read this manual to thoroughly understand the contents for safe and correct operation. We hope you will use the machine safely, and take advantage of its best performance.

## **Keeping the Owner's Operating Manual**

Keep this Manual in the box located in the rear of the seat.



Keeping the Owner's Operating Manual\_001

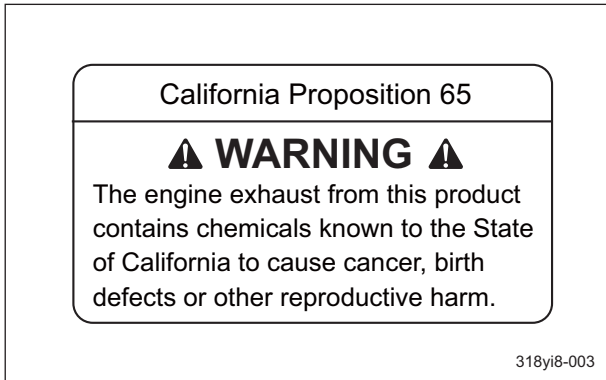
1	Box
---	-----

California Proposition 65 ..... Page 1-2

# Regulations

---

## California Proposition65



California Proposition65\_001

Read this manual carefully to ensure that you thoroughly understand how to properly operate and maintain this machine, and to avoid causing injury to yourself or others.

The operator is responsible for operating the machine properly and safely.

Do not perform maintenance on the machine other than that described in this manual.

Be sure to also read the Owner's Manual for the engine, battery, etc.

Maintenance should only be performed by a certified specialist.

If you have any questions concerning maintenance or genuine parts, please contact your local Baroness dealer or Kyoisha.

When making inquiries about this machine, please specify the machine's model designation and serial number.

When loaning or transferring this machine, please also provide this manual together with the machine.

Kyoisha Co., Ltd.

### Caution

The information described in this manual is subject to change for improvement without prior notice. When replacing parts, be sure to use genuine Baroness parts or parts designated by Kyoisha. Note that the Baroness product warranty may not apply to defects caused by the use of parts from other companies.

## Warning Symbols

This manual uses the following warning symbols for handling precautions that are important for your safety.



696cq5-001

Warning symbol

This symbol indicates the articles regarding “Danger,” “Warning,” or “Caution.” Those articles describe important safety precautions and so read them carefully to understand completely before operating the machine.

Failure to adequately follow these safety precautions may cause an accident.

### Danger

This symbol indicates that serious injury or death will occur if the warning is ignored.

### Warning

This symbol indicates that serious injury or death may occur if the warning is ignored.

### Caution

This symbol indicates that injury or damage to property may occur if the warning is ignored.

### Important

This symbol indicates precautions on the mechanism of the machine.

# Introduction

---

## Purpose

This machine is intended for cutting turf grass at golf courses.

Do not use this machine in any way other than its intended purpose, and do not modify the machine.

Operating this machine for other purposes and modifying it may be very dangerous and may cause damage to the machine.

In addition, this machine is not authorized for operation as a special motor vehicle. Do not operate it on public roads.

<b>Regulations .....</b>	<b>Page 1-1</b>
California Proposition65 .....	Page 1-2
<b>Safety .....</b>	<b>Page 2-1</b>
Safe Operating Practices .....	Page 2-2
<b>Disposal .....</b>	<b>Page 3-1</b>
Waste Disposal .....	Page 3-2
<b>Product Overview .....</b>	<b>Page 4-1</b>
Specifications .....	Page 4-2
Names of Each Section .....	Page 4-4
Safety Signs and Instruction Signs .....	Page 4-6
<b>Handling Instructions .....</b>	<b>Page 5-1</b>
Inspection Before Use .....	Page 5-2
Tightening torques .....	Page 5-17
Adjustment Before Operating .....	Page 5-21
Procedure to Start / Stop Engine .....	Page 5-24
Operation of Each Section .....	Page 5-27
Instruments .....	Page 5-39
Travel of Machine .....	Page 5-69
Cutting Work .....	Page 5-70
Transporting .....	Page 5-70
<b>Maintenance .....</b>	<b>Page 6-1</b>
Maintenance Precautions .....	Page 6-2
Maintenance Schedule .....	Page 6-3
DPF .....	Page 6-6
Jacking up the machine .....	Page 6-13
Greasing .....	Page 6-15
Maintenance (Mower) .....	Page 6-19
Maintenance (Main Body) .....	Page 6-25
Long-Term Storage .....	Page 6-30

GM2810

# Contents

---



**Safe Operating Practices ..... Page 2-2**

Training ..... Page 2-2

Preparation ..... Page 2-2

Operation ..... Page 2-3

Maintenance and storage ..... Page 2-4



# Safety

Failure to adequately follow these safety precautions may cause an accident resulting in injury or death.

## Danger

This machine is designed to ensure safe operation and has been tested and inspected thoroughly before shipment from the factory. The machine is equipped with safety devices to prevent accidents.

However, whether the machine demonstrates its original performance level depends on the manner in which it is operated and handled, as well as the manner in which it is managed on a daily basis.

Inappropriate use or management of the machine may result in injury or death.

Observe the following safety instructions to ensure safe operation.

## Safe Operating Practices

The following instructions include the ones from CEN standard EN 836: 1997, ISO standard 5395: 1990, and ANSI B71.4-2004.

### Training

1. Read this manual and other training material carefully. Be familiar with the controls, safety signs, and the proper use of the equipment.
2. If the operator or mechanic can not read English it is the owner's responsibility to explain this manual to them.
3. All operators and mechanics should seek and obtain professional and practical instruction.

The owner is responsible for training the users.

Such instruction should emphasize.

[1] The need for care and concentration when working with ride-on machines.

[2] Control of a ride-on machine sliding on a slope will not be regained by the application of the brake.

The main reasons for loss of control are

- Insufficient wheel grip
- Being driven too fast
- Inadequate braking
- The type of machine is unsuitable for its task
- Lack of awareness of the effect of ground conditions, especially slopes

- Incorrect hitching and load distribution

4. Never allow children or people unfamiliar with these instructions to use or service the machine.

Local regulations may restrict the age of the operator.

5. The owner/user can prevent and is responsible for accidents or injuries occurring to themselves, other people, or property.

6. Keep in mind that the owner, operator, and mechanic are responsible for accidents or hazards occurring to other people or their property.

### Preparation

1. Evaluate the terrain to determine what accessories and attachments are needed to properly and safely perform the job.

Only use accessories and attachments approved by the manufacturer.

2. While operating, always wear substantial footwear, long trousers, hard hat, safety glasses, and ear protection.

Long hair, loose clothing, or jewelry may get tangled in moving parts.

Do not operate the equipment when barefoot or wearing open sandals.

3. Inspect the area where the equipment is to be used and remove all objects such as rocks, toys and wire which can be thrown by the machine.

4. Exercise care in the handling of fuel.

## Warning

Warning-Fuel is highly flammable.

Take the following precautions.

[1] Store fuel in containers specifically designed for this purpose.

[2] Add fuel before starting the engine.

Never remove the cap of the fuel tank or add fuel while the engine is running or when the engine is hot.

[3] Refuel outdoors only and do not smoke while refueling.

[4] If fuel is spilled, do not attempt to start the engine but move the machine away from the area of spillage and avoid creating any source of ignition until petrol vapours have dissipated.

- [5] Replace all fuel tanks and container caps securely.
5. Check that operator's presence controls, safety switches and shields are attached and functioning properly.  
Do not operate unless they are functioning properly.
6. If the brake operation is faulty or the parking brake lever has noticeable play, be sure to adjust or repair them before operating the machine.
7. Replace faulty mufflers.
8. Before using, always visually inspect to see that the blades, blade bolts, and cutting assembly are not worn or damaged.  
Replace worn or damaged blades and bolts in sets to preserve balance.
9. On multi-bladed machines, take care as rotating one blade can cause other blades to rotate.
- [6] Never drive the machine on a slope with an angle of gradient that is greater than that specified or in a place where there is a danger of the machine slipping.
5. Never raise deck with the blades running.
6. Never operate with the discharge deflector raised, removed or altered, unless using a grass catcher.  
Do not crawl under the machine while it is in operation.
7. Never operate with the discharge deflector raised, removed or altered, unless using a grass catcher.
8. Do not change the engine governor settings or overspeed the engine.  
Operating the engine at excessive speed may increase the hazard of personal injury.
9. Do the following before leaving the operator's position.

## Operation

1. Do not operate the engine in a confined space where dangerous carbon monoxide fumes can collect.
2. Only operate in good light, keeping away from holes and hidden hazards.
3. Before attempting to start the engine, disengage all attachments, shift into neutral, and engage the parking brake.  
Only start engine from the operator's position.  
Use seat belts if provided.
4. Remember there is no such thing as a safe slope.  
Travel on grass slopes requires particular care.  
To guard against overturning:
  - [1] Do not stop or start suddenly when going up or downhill.
  - [2] Engage clutch slowly, always keep machine in gear, especially when traveling downhill.
  - [3] Machine speeds should be kept low on slopes and during tight turns.
  - [4] Stay alert for humps and hollows and other hidden hazards.
  - [5] Never operate across the face of the slope, unless the machine is designed for this purpose.
- [1] Stop on level ground.
- [2] Disengage the power take-off and lower the attachments.
- [3] Change into neutral and set the parking brake.
- [4] Stop the engine and remove the key.
10. Disengage the drive to attachments, stop the engine, and remove the ignition key in the following conditions.
  - [1] Before refueling.
  - [2] Before removing the grass catcher/catchers;
  - [3] Before making height adjustment unless adjustment can be made from the operator's position:
  - [4] Before cleaning blockages.
  - [5] Before checking, cleaning or working the machine.
  - [6] After striking a foreign object or if an abnormal vibration occurs.  
Inspect the machine for damage and make repairs before restarting and operating the equipment.
11. Keep hands and feet away from the cutting units and the rotating parts.
12. Look behind and down before backing up to be sure of a clear path.
13. Do not carry passengers.
14. Never operate while people, especially children, or pets are nearby.

# Safety

---

15. Slow down and use caution when making turns and crossing roads and sidewalks.
16. Stop the blades rotating before crossing surfaces other than grass.
17. Disengage drive to attachments when transporting or not in use.
18. When using any attachments, never direct discharge of material toward bystanders nor allow anyone near the machine while in operation.
19. Do not operate the machine under the influence of alcohol or drugs.
20. Take care when loading or unloading the machine into a trailer or a truck.  
Load or unload the machine in a flat and safe place.  
Before loading or unloading, set the parking brake on the truck or trailer, stop the engine, and chock the wheels.  
When transporting the machine on a truck or a trailer, set the parking brake, stop the engine, and fasten the machine to the truck with a rope or other suitable restraining device that has sufficient strength.  
When using a running board, select one with sufficient strength, length, and width and that will not cause the machine to slip.
21. Close the fuel valve before transporting the machine.
22. Use care when approaching blind corners, shrubs, trees, or other objects that may obscure vision.
23. Do not take your eyes off the road ahead.  
Do not operate the machine with no hands.
24. Reduce the throttle setting during engine run-out and, if the engine is provided with a shut-off valve, turn the fuel off at the conclusion of operation.
3. To reduce the fire hazard, keep the engine, silencer/muffler, battery compartment fuel storage area, cutting units and drives free of grass, leaves, or excessive grease.  
Clean up oil or fuel spillage.
4. Allow the engine to cool before storing in any enclosure.
5. Only cover the machine with a sheet after hot parts have sufficiently cooled down.
6. Never store the equipment with fuel in the tank inside a building where fumes may reach an open flame or spark.
7. If the engine is provided with a shut-off valve, shut off valve while storing or transporting.
8. Do not store fuel near flames.
9. Never allow untrained personnel to service machine.
10. Allow the engine/muffler to cool before checking/maintenance.
11. Appropriately manage and correctly use the tools necessary for servicing or adjusting the machine.
12. Use jack stands to support components when required.
13. Carefully release pressure from components with stored energy.
14. Be sure to depressurize the hydraulic system before performing maintenance operations on it such as removing hydraulic equipment.
15. Check whether line connectors in the hydraulic system are properly tightened.  
Before applying hydraulic pressure, check the connections of the hydraulic pressure lines and the condition of the hoses.
16. When checking the hydraulic circuit for pinhole leaks or oil leakage from nozzles, do not use your hands.  
Use items such as paper or corrugated cardboard to find leakage points.  
Be extremely careful with high-pressure oil as it may pierce your skin, result.  
If fluid is injected into the skin it must be surgically removed within a few hours by a doctor familiar with this form of injury or gangrene may result.

## Maintenance and storage

1. Disengage drives on level ground, lower the attachments, set parking brake, stop engine and remove key from ignition.  
Wait for all movement to stop before adjusting, cleaning or repairing.
2. When machine is to be parked, stored, or left unattended, lower the cutting units unless a positive mechanical lock is provided.
17. Disconnect battery before making any repairs.  
Disconnect the negative terminal first and the positive last.  
Reconnect positive first and negative last.

18. Make sure that parts such as wires are not touching each other and that their covers have not come off.
19. Use care when checking the blades.
  - [1] Wrap the blades or wear gloves, and use caution when servicing them.
  - [2] Only replace blades.
  - [3] Never straighten or weld them.
20. On multi-bladed machines, take care as rotating one blade can cause other blades to rotate.
21. Keep hands and feet away from moving parts.

If possible, do not make adjustments with the engine running.
22. Charge batteries in an open well ventilated area, away from spark and flames.

Unplug charger before connecting or disconnecting from battery.  
Wear protective clothing and use insulated tools.
23. Keep all parts in good working condition and all hardware tightened.

Replace all worn or damaged decals.
24. Keep all nuts, bolts and screws tight to be sure the equipment is in safe working condition.
25. Check the grass catcher frequently for wear or deterioration.
26. If the fuel tank has to be drained, do this outdoors.



**Waste Disposal ..... Page 3-2**

About the Waste disposal ..... Page 3-2

Disposal

# Disposal

---

## Waste Disposal

### About the Waste disposal

Make sure that waste generated when servicing or repairing the machine is disposed of in accordance with local regulations. (e.g. waste oil, antifreeze batteries, rubber products, and wires etc.)



**Specifications ..... Page 4-2**

- Specifications .....Page 4-2
- Sound pressure level ..... Page 4-3
- Sound power level ..... Page 4-3
- Vibration level ..... Page 4-3

**Names of Each Section ..... Page 4-4**

- Serial Number Plate .....Page 4-5
- Specification Decal ..... Page 4-5
- Noise Emission Decal .....Page 4-5
- Year of Manufacture Decal ..... Page 4-5
- Maintenance Decal ..... Page 4-5
- ROPS authentication decal ..... Page 4-6
- Battery capacity decal ..... Page 4-6

**Safety Signs and Instruction Signs ..... Page 4-6**

- About Safety Signs and Instruction  
Signs .....Page 4-6
- Positions of Safety Decals and  
Instruction Decals ..... Page 4-6
- Description of Safety Decals and  
Instruction Decals ..... Page 4-8

# Product Overview

## Specifications

### Specifications

Model		GM2810	
Dimensions	Total length		145.67 in 370 cm
	Total width	During operation	118.11 in 300 cm
		During transport	90.55 in 230 cm
	Total height	Roof	90.55 in 230 cm
Steering handle		64.96 in 165 cm	
Weight (with ROPS, roof and empty fuel tank)		4,607.58 lb	2,090 kg
Minimum turning radius		125.98 in	320 cm
Engine	Model		Kubota V2403-CR-TE4B
	Type		Vertical water-cooled 4-cycle diesel engine with turbocharger
	Total displacement		148.51 cu.in. 2,434 cm <sup>3</sup> (2.434 L)
	Maximum output		43.2 kW (58.9 PS)/2,400 rpm
Fuel tank capacity		Diesel 13.47 U.S.gals	Diesel 51.0 dm <sup>3</sup> (51.0 L)
Fuel consumption		174 g/PS · h (rated output)	236 g/kW·h (rated output)
Engine oil capacity		2.56 U.S.gals	9.7 dm <sup>3</sup> (9.7 L)
Operating width (Mowing width)		110.24 in	280 cm
Operating height (Mowing height)		0.787 - 3.602 in	20 - 91.5 mm
Blades		5	
Drive		HST, 2WD/4WD selectable	
Speed (HST)	Forward	0 - 9.94 mph	0 - 16.0 km/h
	Reverse	0 - 3.73 mph	0 - 6.0 km/h
Speed (Mechanical)		-	
Efficiency		4.98 acres/hour (5.59 mph x mowing width x 0.8)	20,160 m <sup>2</sup> /h (9.0 km/h x mowing width x 0.8)
Maximum inclination for operation		15 degrees	
Tire size	Front wheel	29 x 14.00 - 15	
	Rear wheel	20 x 12.00 - 10	
Tire pneumatic pressure	Front wheel	21.75 psi	150 kPa (1.5 kgf/cm <sup>2</sup> )
	Rear wheel	20.30 psi	140 kPa (1.4 kgf/cm <sup>2</sup> )
Battery		105D31R	

\* The factory default maximum engine rpm is 2,600 rpm.

## Sound pressure level

### Sound pressure level

This machine was confirmed to have a continuous A-weighted sound pressure level of 89dB by measuring identical machines in accordance with the procedure specified in ISO5395-1:2013.

## Sound power level

### Sound power level

This machine was confirmed to have a sound power level of 105dB by measuring identical machines in accordance with the procedure specified in directive 2000/14/EC.

## Vibration level

### Hand-arm vibration

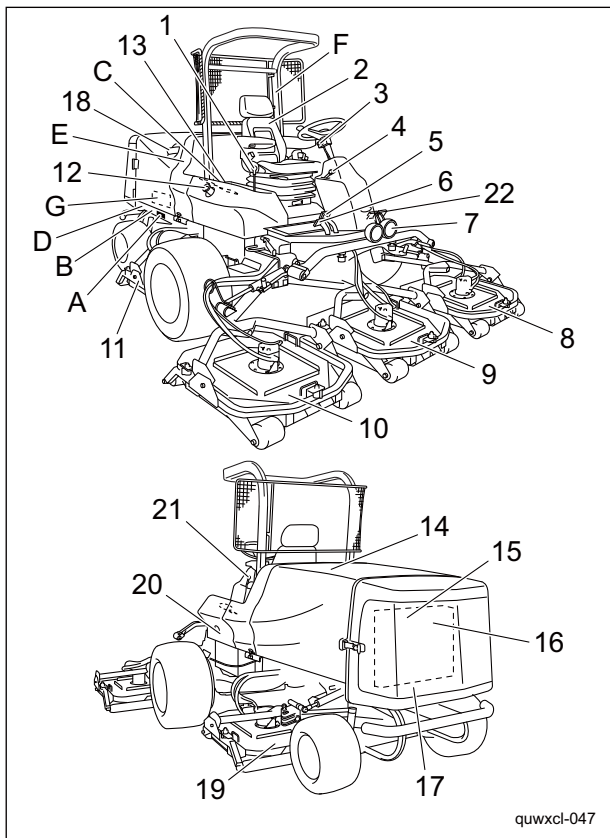
This machine was confirmed not to exceed a vibration level of  $2.5 \text{ m/s}^2$  to hands and arms by measuring identical machines in accordance with the procedure specified in ISO 5349-1:2001,ISO 5349-2:2001.

### Whole body vibration

This machine was confirmed to transmit a vibration level of  $1.27 \text{ m/s}^2$  to the whole body by measuring identical machines in accordance with the procedure specified in ISO 2631-1:1997,ISO 2631-2:2003.

# Product Overview

## Names of Each Section



Names of Each Section\_001

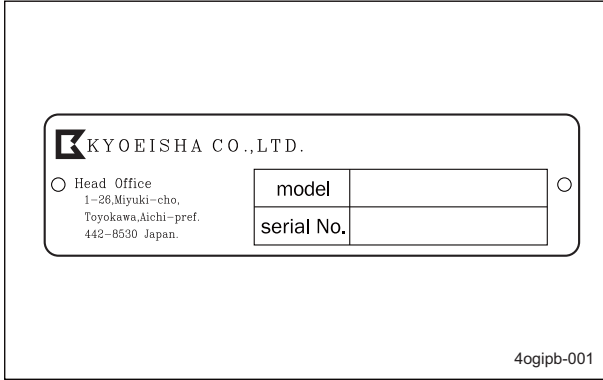
1	Mower unit up/down lever
2	Seat
3	Diff-lock switch
4	Tilt lever
5	Forward pedal
6	Reverse pedal
7	Lights
8	Mower unit #5
9	Mower unit #1
10	Mower unit #4
11	Mower unit #2
12	Fuel filler
13	Throttle knob
14	Hood
15	Radiator
16	Oil cooler
17	Radiator cover
18	Muffler
19	Mower unit #3
20	Oil gauge
21	Parking brake lever
22	Brake pedals
A	Serial number plate
B	Specification decal
C	Decal, noise emission
D	Year of manufacture decal
E	Maintenance decal
F	ROPS authentication decal
G	Battery capacity decal

# Product Overview

Product Overview

## Serial Number Plate

The serial number plate indicates the model and serial number of the machine.



Serial Number Plate\_001

## Year of Manufacture Decal

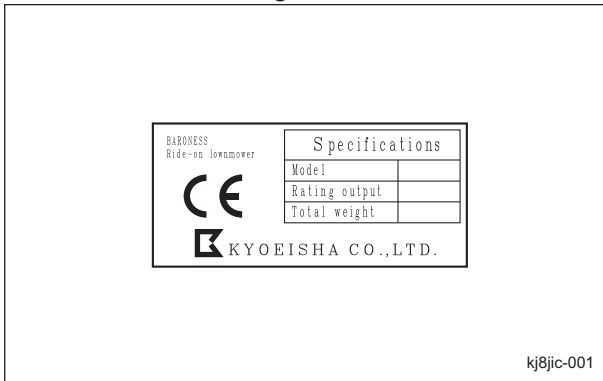
The year of manufacture decal indicates the year when this machine was manufactured.



Year of Manufacture Decal\_001

## Specification Decal

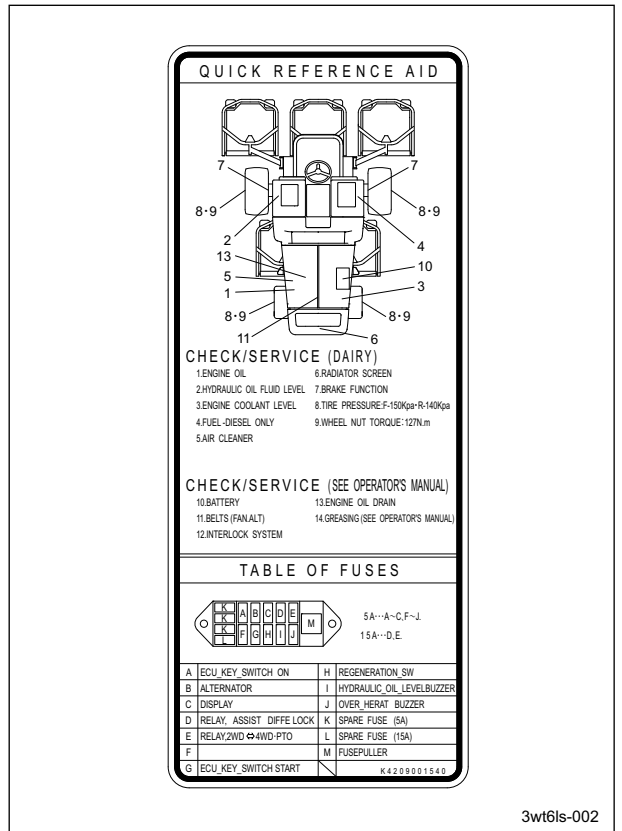
The Specification decal indicates the CE logo, model name, and weight, etc.



Decal, Specifications\_001

## Maintenance Decal

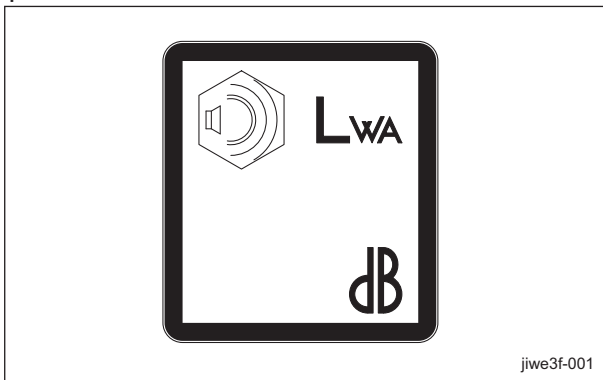
The maintenance decal indicates the necessary inspection and maintenance items for this machine.



Maintenance Decal\_001

## Noise Emission Decal

The noise emission decal indicates the sound power level determined by measuring identical machines in accordance with the procedure specified in the EC directives.

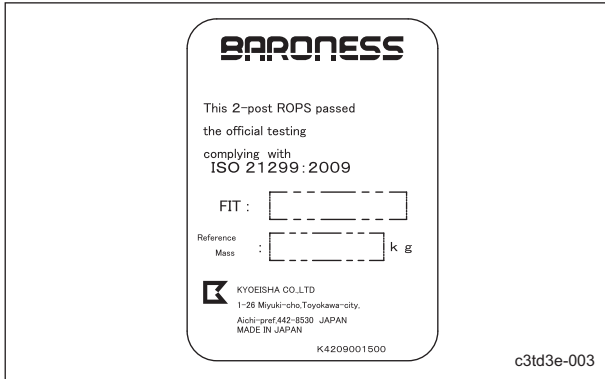


Noise Emission Decal\_001

# Product Overview

## ROPS authentication decal

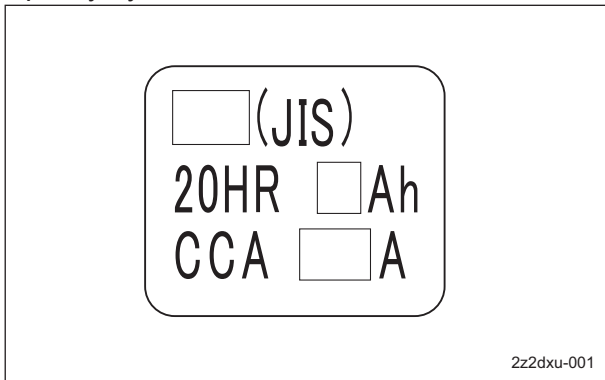
The ROPS authentication decal indicates the manufacturer, model, etc., in accordance with International Standard ISO 21299:2009.



ROPS Authentication Decal\_001

## Battery capacity decal

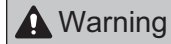
The battery capacity decal indicates the capacity by 20HR and CCA.



Battery capacity decal\_001

## Safety Signs and Instruction Signs

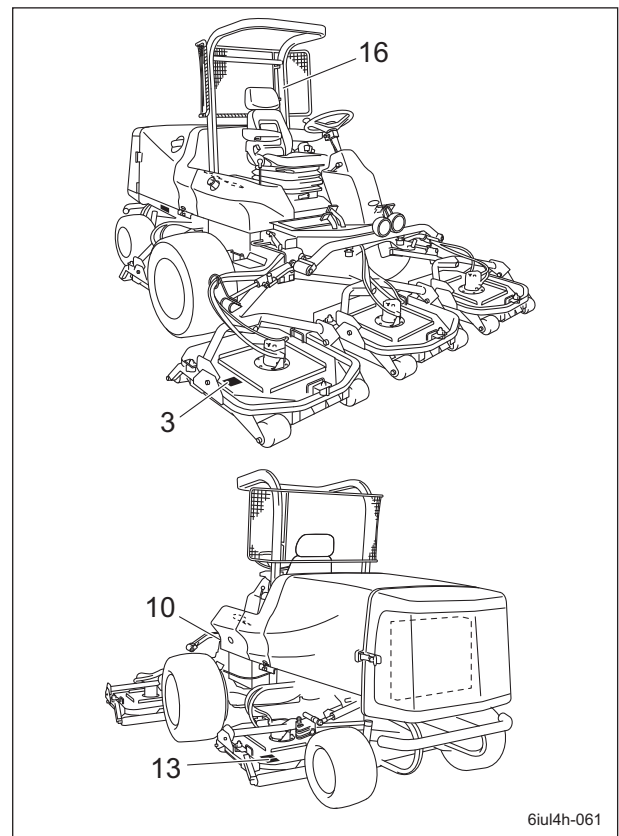
### About Safety Signs and Instruction Signs



Safety decals and instruction decals are attached to this machine. Make sure that they are preserved in their entirety. If they are damaged, become dirty, or peel off, replace them with new ones.

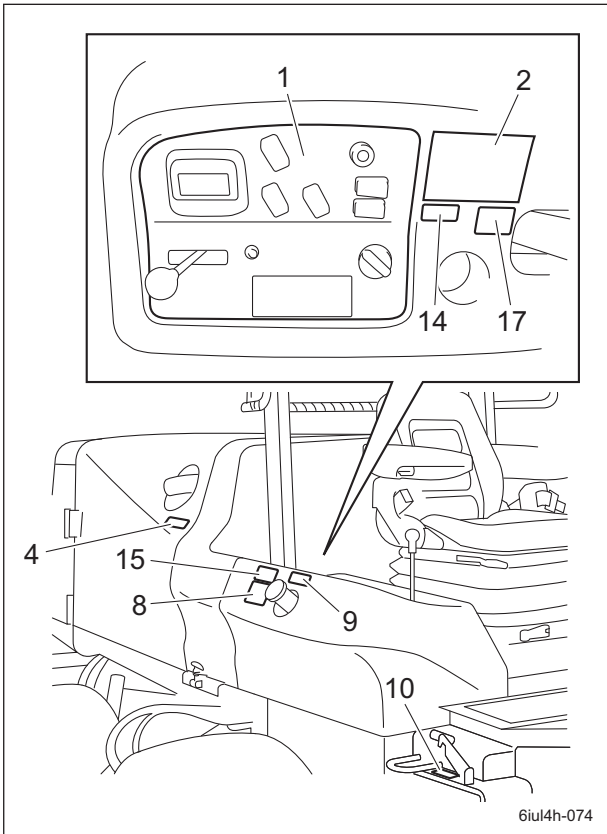
Part numbers for decals that need to be replaced are listed in the parts catalog. Order them from a Baroness dealer or Kyoisha.

### Positions of Safety Decals and Instruction Decals

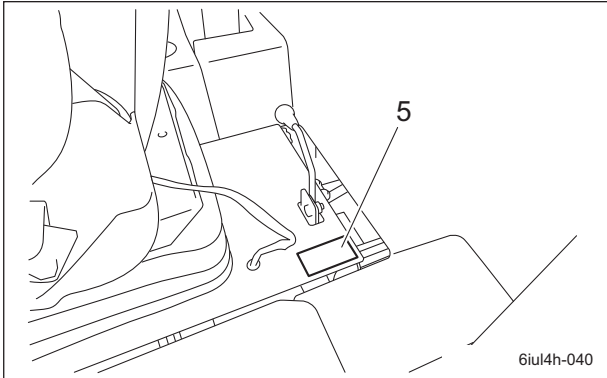


Positions of Safety Decals and Instruction Decals\_001

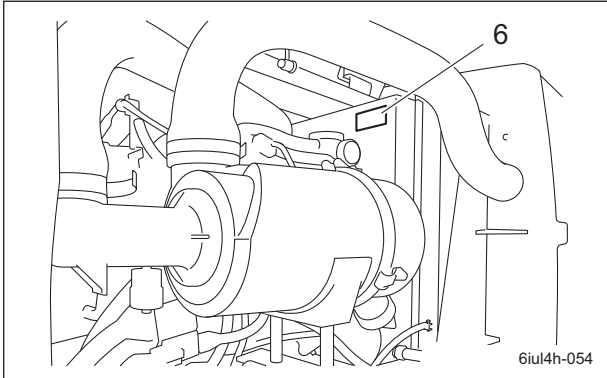
# Product Overview



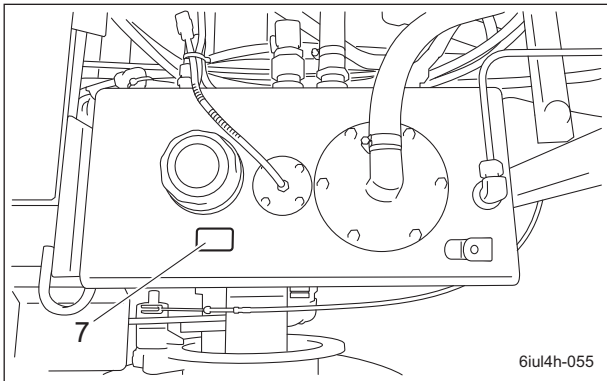
Positions of Safety Decals and Instruction Decals\_002



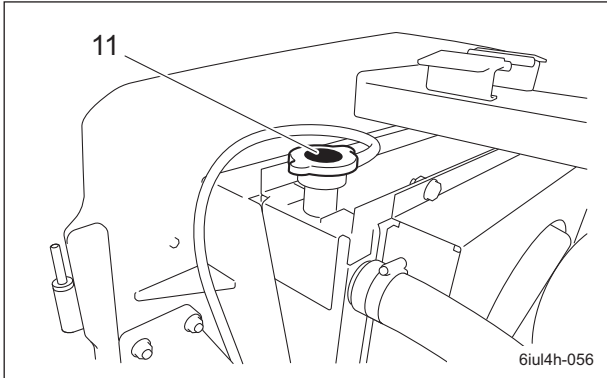
Positions of Safety Decals and Instruction Decals\_003



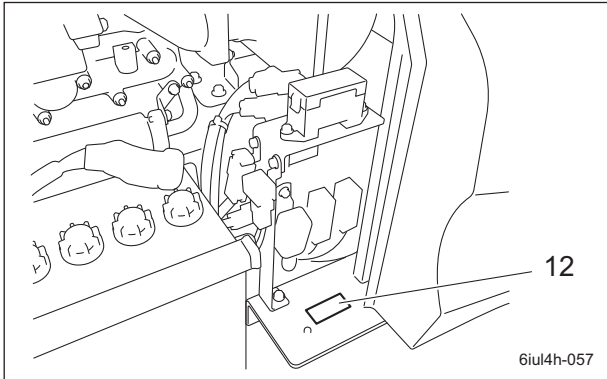
Positions of Safety Decals and Instruction Decals\_004



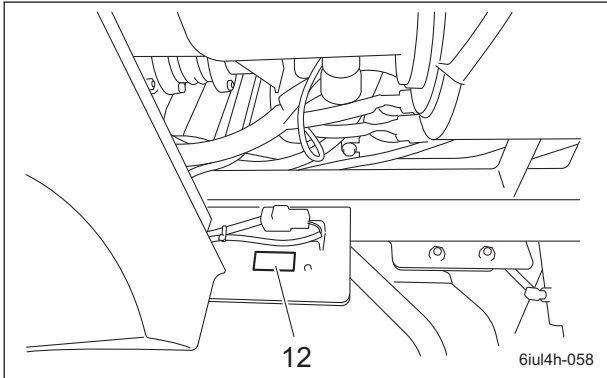
Positions of Safety Decals and Instruction Decals\_005



Positions of Safety Decals and Instruction Decals\_006



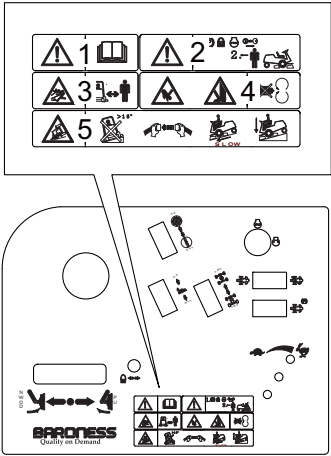
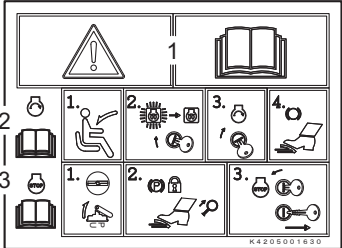
Positions of Safety Decals and Instruction Decals\_007



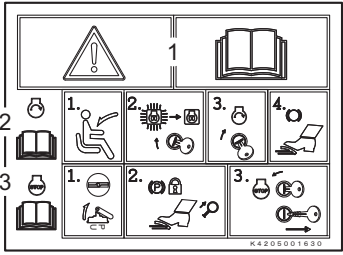
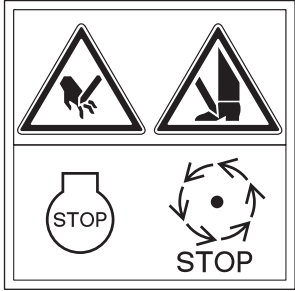


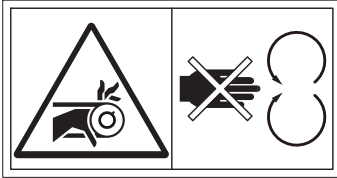
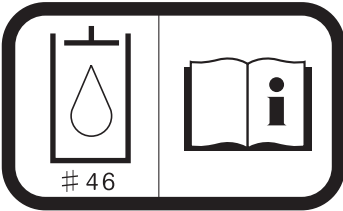
Positions of Safety Decals and Instruction Decals\_008

# Product Overview

## Description of Safety Decals and Instruction Decals



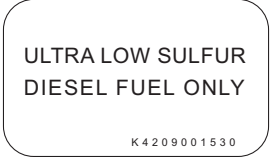
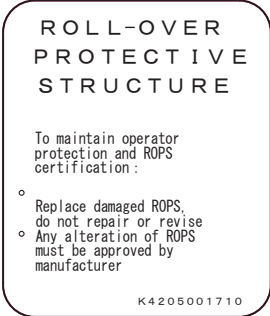

<p>1</p>	 <p>qigqnx-082</p>	<p>GM2810-0903Z0 Decal, operation</p> <ol style="list-style-type: none"> <li> <p><b>Warning</b></p> <p>Read the Owner's Operating Manual.</p> </li> <li> <p><b>Warning</b></p> <p>Apply the parking brake, stop the engine, and then remove the ignition key before leaving the machine.</p> </li> <li> <p><b>Danger</b></p> <p>Flying objects - All persons other than the operator must keep a safe distance from the machine.</p> </li> <li> <p><b>Danger</b></p> <p>May cut your hand or leg - Keep hands and feet away from moving parts.</p> </li> <li> <p><b>Danger</b></p> <p>Rollover - Do not work on any slopes of 15 degrees or more. When you descend a slope, fasten your seatbelt, lower the mower units, and then drive at low speed.</p> </li> </ol>
<p>2</p>	 <p>qigqnx-033</p>	<p>K4205001630 Decal, start/stop engine</p> <ol style="list-style-type: none"> <li> <p><b>Warning</b></p> <p>Read the Owner's Operating Manual.</p> </li> <li> <p>Procedure to Start Engine</p> <p>Read the Owner's Operating Manual.</p> <ol style="list-style-type: none"> <li>Sit on the seat.</li> <li>Turn the key to the "ON (GLOW)" position, and then wait for the "BARONESS" logo to go off.</li> <li>Turn the key to the "START" position.</li> <li>Depress the brake pedal to release the parking brake.</li> </ol> </li> </ol>



<p>2</p>	 <p style="text-align: right;">qigqnx-033</p>	<p>3. Procedure to Stop Engine</p> <p>[1] Set the knife rotation switch to the "OFF" position, and then raise the mower units.</p> <p>[2] Apply the parking brake.</p> <p>[3] Turn the key to the "STOP" position, and then remove it.</p>
<p>3</p>	 <p style="text-align: right;">qigqnx-010</p>	<p>K4205001600 Decal, caution to mutilation</p> <p><b>! Danger</b></p> <p>May cut your hand or leg - Stop the rotation and engine. Otherwise you may get injured.</p>
<p>4</p>	 <p style="text-align: right;">qigqnx-042</p>	<p>K4205001920 Decal, caution for high temperatures</p> <p><b>! Caution</b></p> <p>High temperature - Do not touch. Otherwise, you will get burned.</p>
<p>5</p>	 <p style="text-align: right;">qigqnx-035</p>	<p>K4205001580 Decal, caution for pinching</p> <p><b>! Caution</b></p> <p>May pinch - There is a risk of being pinched.</p>
<p>6</p>	 <p style="text-align: right;">qigqnx-012</p>	<p>K4205001530 Decal, caution for rotating parts</p> <p><b>! Danger</b></p> <p>Watch for rotating parts - Keep your hands away from the belts while the engine is running.</p>
<p>7</p>	 <p style="text-align: right;">K4209000980 qigqnx-020</p>	<p>K4209000980 Decal, hydraulic oil Read the Owner's Operating Manual.</p>

## Product Overview

8	 <p>K4209001000 qigqnx-021</p>	<p>K4209001000 Decal, diesel fuel refueling hole Use diesel fuel.</p>
9	 <p>K4205001940 qigqnx-041</p>	<p>K4205001940 Decal, keep away from fire</p> <p><b>! Danger</b></p> <p>Keep fire away.</p>
10	 <p>K4205001900 qigqnx-067</p>	<p>K4205001900 Decal, caution for mower lock</p>
11	 <p>K4205001970 qigqnx-045</p>	<p>K4205001970 Decal, caution for spouting coolant</p> <p><b>! Caution</b></p> <p>Caution for spouting coolant - Do not open while hot.</p>
12	 <p>K4205001930 qigqnx-038</p>	<p>K4205001930 Decal, caution for pinching</p> <p><b>! Caution</b></p> <p>May pinch - There is a risk of being pinched.</p>
13	 <p>qigqnx-011</p>	<p>K4205001650 Decal, caution for flying object</p> <p><b>! Danger</b></p> <p>Flying objects - All persons other than the operator must keep a safe distance from the machine.</p>
	 <p>K4205001780 qigqnx-034</p>	<p>K4205001780 Decal, caution for cutting hands/feet</p> <p><b>! Danger</b></p> <p>May cut your hand or leg - When the blades are rotating, keep away from the machine.</p>

14	 <p>K4205001950 qigqnx-039</p>	<p>K4205001950 Decal, caution to exhaust gas</p> <p> <b>Warning</b></p> <p>Caution for exhaust gas</p>
15	 <p>K4209001530 qigqnx-083</p>	<p>K4209001530 Decal, diesel instructions Use ultra-low sulfur diesel fuel (sulfur-free diesel fuel).</p>
16	 <p>K4205001710 qigqnx-072</p>	<p>K4205001710 Decal, ROPS caution Replace damaged ROPS. Do not repair or modify. (Only when equipped with ROPS)</p>
17	 <p>K4205002090 qigqnx-015</p>	<p>K4205002090 Decal, caution to noise</p>

# Product Overview

---

# Handling Instructions

<b>Inspection Before Use</b> .....	<b>Page 5-2</b>	DPF Auto Regeneration Inhibit Switch .....	Page 5-33
Rotary Knife .....	Page 5-2	DPF Parked Regeneration Switch .....	Page 5-33
Radiator Cover .....	Page 5-3	Light Switch .....	Page 5-34
Radiator .....	Page 5-3	Traction Assist Switch .....	Page 5-34
Coolant .....	Page 5-4	Mower Lock Lever (Latch) .....	Page 5-34
Oil cooler .....	Page 5-6	Mower Unit Up/Down Lever .....	Page 5-35
Hydraulic Oil .....	Page 5-6	Throttle Knob .....	Page 5-35
Air Cleaner .....	Page 5-8	Diff-Lock Switch .....	Page 5-36
Battery .....	Page 5-9	Traveling Pedal .....	Page 5-36
Tire .....	Page 5-10	Brake Pedal .....	Page 5-37
Brake .....	Page 5-10	Parking Brake Lever .....	Page 5-38
Belt .....	Page 5-11	Hood .....	Page 5-38
Around the Engine .....	Page 5-11	Underseat Cover .....	Page 5-38
Engine Oil .....	Page 5-11	<b>Instruments</b> .....	<b>Page 5-39</b>
Fuel .....	Page 5-13	Description of Monitor .....	Page 5-39
Water Separator .....	Page 5-14	Main Menu Items .....	Page 5-39
Oil Leakage .....	Page 5-16	<b>Travel of Machine</b> .....	<b>Page 5-69</b>
<b>Tightening torques</b> .....	<b>Page 5-17</b>	Moving the Machine .....	Page 5-69
Standard tightening torques .....	Page 5-17	Towing the Machine .....	Page 5-69
Principal tightening torques .....	Page 5-19	<b>Cutting Work</b> .....	<b>Page 5-70</b>
<b>Adjustment Before Operating</b> .....	<b>Page 5-21</b>	Cutting Work .....	Page 5-70
Adjustment of Steering Wheel .....	Page 5-21	<b>Transporting</b> .....	<b>Page 5-70</b>
Adjustment of Seat .....	Page 5-21	Transporting Procedure .....	Page 5-70
Adjustment of Cutting Height .....	Page 5-22		
<b>Procedure to Start / Stop Engine</b> .....	<b>Page 5-24</b>		
Start / Stop of Engine .....	Page 5-24		
Safety Mechanisms .....	Page 5-25		
Warning Mechanisms .....	Page 5-26		
<b>Operation of Each Section</b> .....	<b>Page 5-27</b>		
Precautions for Operating the Machine .....	Page 5-27		
Cautions for when You Leave the Machine .....	Page 5-27		
Instruction Decals .....	Page 5-27		
Proximity Sensors .....	Page 5-31		
Relays .....	Page 5-31		
Knife Rotation Switch .....	Page 5-32		
2WD/4WD Selector Switch .....	Page 5-32		

# Handling Instructions

## Inspection Before Use

Be sure to perform an inspection before you start using the machine so that you will be able to take advantage of its optimum performance for a long period of time.

### Rotary Knife

#### Inspection of Rotary Knife

#### **⚠ Danger**

The rotary knife is an edged tool. Handle them carefully, since they could cut your hands or legs.

#### **⚠ Caution**

When touching edged tools, wear gloves, since they could cut your hands.

Due to frequent use, objects crushed during mowing, or damage during transportation and so forth, the rotary knife may vibrate from imbalance or become dull.

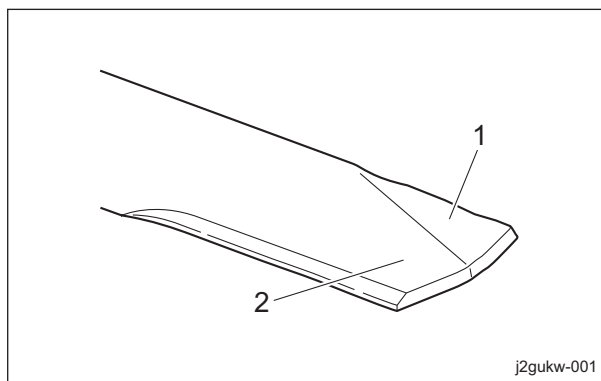
Inspect the rotary knife, and if necessary, sharpen, balance or replace it.

#### **Important**

Frequently inspect the rotary knife since it may become dull quickly if the machine is operated in an environment of dry soil or sand.

1. Make sure that the rotary knife is not bent.
2. Make sure that the rotary knife is not chipped.
3. Check to see how much the rotary knife is worn.
4. Make sure that the rotary knife is not worn asymmetrically.
5. Make sure that the mounting bolt for the rotary knife is not loose.

6. Make sure that there are no cracks or tears between the sail and flat part of the rotary knife.



Inspection of Rotary Knife\_001

1	Sail
2	Flat part

# Handling Instructions

## Radiator Cover

### Inspection of Radiator Cover

1. Make sure that there is no damage to the radiator cover.
2. Make sure that the radiator cover is not contaminated.

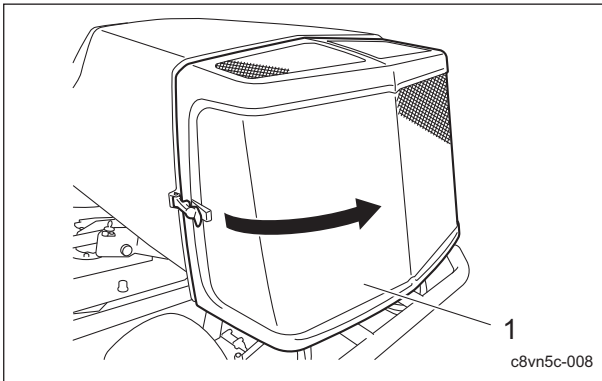
### Cleaning of Radiator Cover

**Important**

An unclean radiator cover may cause overheating or damage to the engine. It may also cause malfunction of the hydraulic system.

If the radiator cover has been contaminated with dust, be sure to clean it. After operating the machine in a dusty environment, it is important to remove dust from the cover as soon as possible.

1. Open the radiator cover.



Cleaning of Radiator Cover\_001

1	Radiator cover
---	----------------

2. Carefully clean the front and back of the radiator cover with water or compressed air.

## Radiator

### Inspection of Radiator

For details on handling the engine, please refer to the Engine's Owner's Manual.

1. Make sure that there is no damage to the radiator.
2. Make sure that the radiator is not contaminated.

### Cleaning of Radiator

For details on handling the engine, please refer to the Engine's Owner's Manual.

**Important**

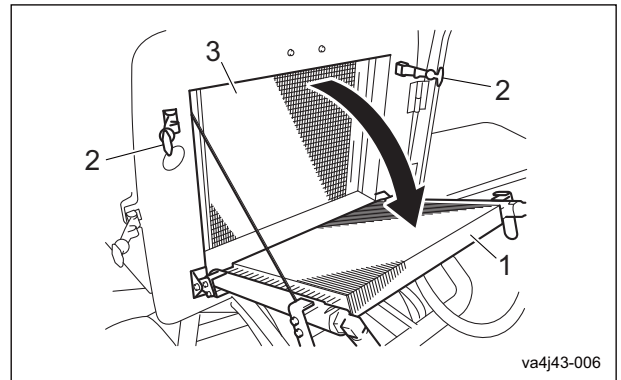
An unclean radiator may cause overheating or damage to the engine. It may also cause malfunction of the hydraulic system.

**Important**

Do not use solid objects, such as a spatula or screwdriver, or high-pressure water to clean the radiator or oil cooler. Otherwise, special fins or tubes may be damaged, possibly resulting in reduced cooling performance or coolant leakage.

If the radiator has been contaminated with dust, be sure to clean it. After operating the machine in a dusty environment, it is important to remove dust as soon as possible.

1. Open the radiator cover.
2. Unlock the rubber catches on the left and right of the oil cooler, and then tilt the oil cooler.



Cleaning of Radiator\_001

1	Oil cooler
2	Rubber catch
3	Radiator

3. Carefully clean the front and back of the radiator with water or compressed air.

# Handling Instructions

## Coolant

### Inspection of Coolant

For details on handling the engine, please refer to the Engine's Owner's Manual.

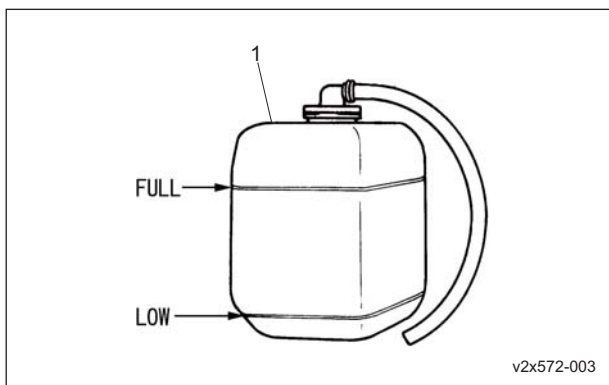
**Warning**

Do not touch the radiator or coolant during engine operation or right after the engine has been turned off. Due to high temperatures, doing so could cause burns.

**Caution**

Inspection should take place after the engine has well cooled down.

1. Make sure that the coolant level in the reserve tank is between "Full" and "Low."



Inspection of Coolant\_001

1	Reserve tank
---	--------------

### Coolant Supply

For details on handling the engine, please refer to the Engine's Owner's Manual.

**Warning**

Do not touch the radiator or coolant during engine operation or right after the engine has been turned off. Due to high temperatures, doing so could cause burns. After the radiator has well cooled down, open the radiator cap.

**Caution**

Supply coolant after the engine has well cooled down.

**Caution**

The radiator cap is pressurized. If you remove the radiator cap while the engine is overheated, hot steam will burst out, possibly resulting in burns. Make sure that the water temperature and pressure are reduced, and then grab the cap with a thick cloth and gradually open the cap.

**Important**

When you supply coolant, be sure to use clean water, such as tap water. During winter, remove coolant. Alternatively, mix long-life coolant and clean water, and then pour it into the radiator and reserve tank.

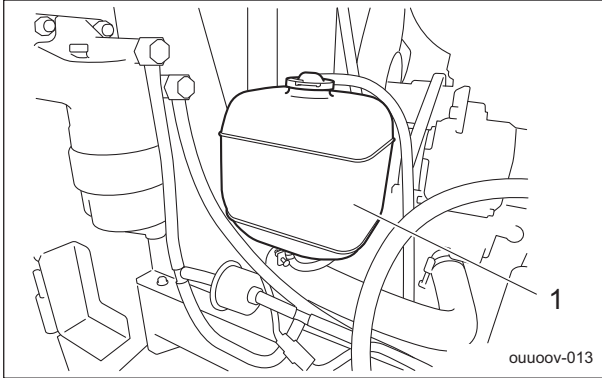
Relationship between concentration of long-life coolant (LLC) and freezing temperature

Freezing temperature	LLC concentration (volume %)
Down to -10°C (14°F)	20 %
Down to -15°C (5°F)	30 %
Down to -20°C (-4°F)	35 %
Down to -25°C (-13°F)	40 %



# Handling Instructions

1. If the coolant level in the reserve tank is lower than the "LOW" mark, open the reserve tank cap and fill the tank with clean water up to the "FULL" mark.

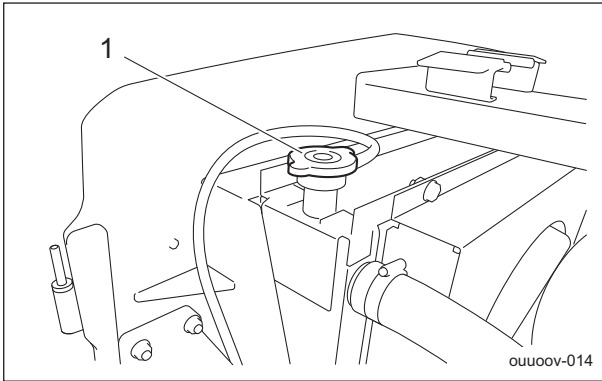


Coolant Supply\_001

1	Reserve tank
---	--------------

2. If no coolant is in the reserve tank, follow the steps below to fill the tank with clean water.

- [1] Open the radiator cap, and then supply clean water up to the opening.
- [2] Open the reserve tank cap, and then supply clean water up to the "FULL" mark.



Coolant Supply\_002

1	Radiator cap
---	--------------

## Change of Coolant

For details on handling the engine, please refer to the Engine's Owner's Manual.

### **Warning**

When you replace the coolant, be sure to drain it into a bowl and discard it in accordance with local laws and regulations.

### **Warning**

Do not touch the radiator or coolant during engine operation or right after the engine has been turned off. Otherwise, you may get burned due to high temperatures. After the radiator has well cooled down, open the radiator cap.

### **Caution**

Change coolant after the engine has well cooled down.

### **Important**

When you change coolant, be sure to use clean water, such as tap water. During winter, remove coolant. Alternatively, mix long-life coolant and clean water, and then pour it into the radiator and reserve tank.

For details on changing coolant, please refer to the separate Engine Operating Manual. Coolant quantity, including that of the reserve tank, is 12.0 dm<sup>3</sup> (12.0 L).

# Handling Instructions

## Oil cooler

### Inspection of Oil Cooler

1. Make sure that there is no damage to the oil cooler.
2. Make sure that the oil cooler is not contaminated.

### Cleaning of Oil Cooler

**Caution**

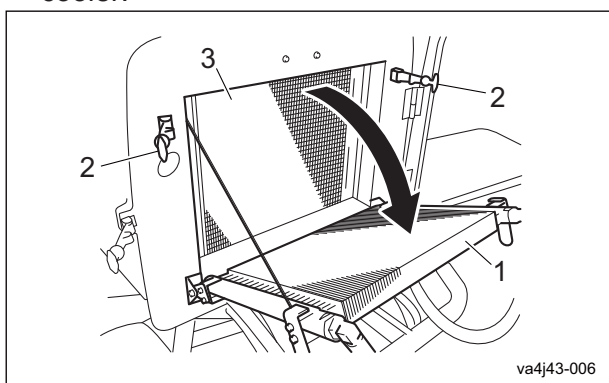
An unclean oil cooler may cause overheating or damage to the engine. It may also cause malfunction of the hydraulic system.

**Important**

Do not use solid objects, such as a spatula or screwdriver, or high-pressure water to clean the radiator or oil cooler. Otherwise, special fins or tubes may be damaged, possibly resulting in reduced cooling performance or coolant leakage.

If the oil cooler has been contaminated with dust, be sure to clean it. After operating the machine in a dusty environment, it is important to remove dust as soon as possible.

1. Open the radiator cover.
2. Unlock the rubber catches on the left and right of the oil cooler, and then tilt the oil cooler.



Cleaning of Oil Cooler\_001

1	Oil cooler
2	Rubber catch
3	Radiator

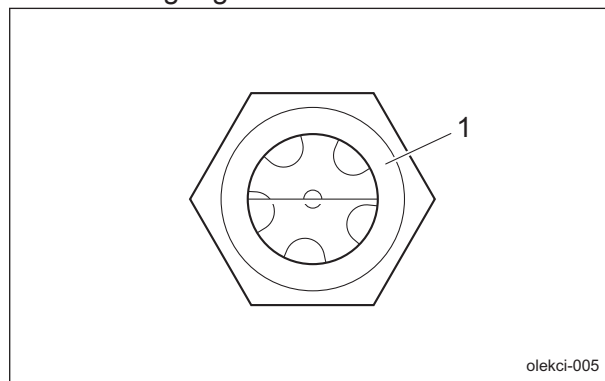
3. Carefully clean the front and back of the oil cooler with water or compressed air.

## Hydraulic Oil

### Inspection of Hydraulic Oil

The oil gauge is on the side of the hydraulic tank.

1. Raise the mower units and maintain that position on a level surface.
2. Make sure that the oil level is at the middle of the oil gauge.



Inspection of Hydraulic Oil\_001

1	Oil gauge
---	-----------

3. Check underneath the machine for oil leakage.

### Hydraulic Oil Supply

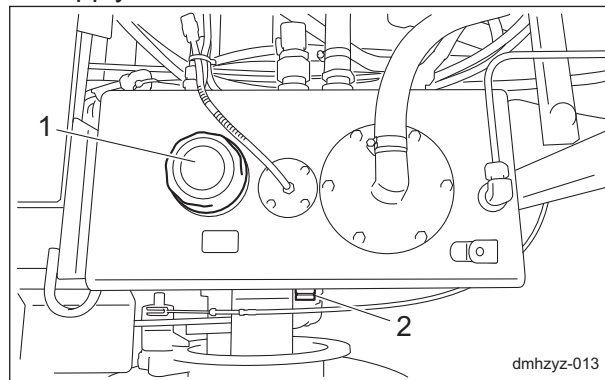
**Important**

Do not mix different types of oil.

**Important**

Use Shell Tellus S2M46 (or equivalent) as hydraulic oil.

1. If the oil level is low, remove the left tank cover, and then open the tank cap and supply oil.



Hydraulic Oil Supply\_001

# Handling Instructions

1	Tank cap
2	Oil gauge

2. Tighten the tank cap securely.
3. Start the engine, raise and lower the mower units, and turn the steering wheel left and right.  
Move forward and reverse repeatedly several times.
4. Raise the mower units and maintain that position on a level surface, and then check to see if the oil level is at the middle of the oil gauge. If necessary, supply oil.
5. Check underneath the machine for oil leakage.
6. Attach the left tank cover.

## Change of Hydraulic Oil

### Warning

When you change the hydraulic oil, be sure to drain it into a bowl and discard it in accordance with local laws and regulations.

### Caution

If the oil emulsifies or if it becomes even slightly less transparent, change the oil immediately.

### Caution

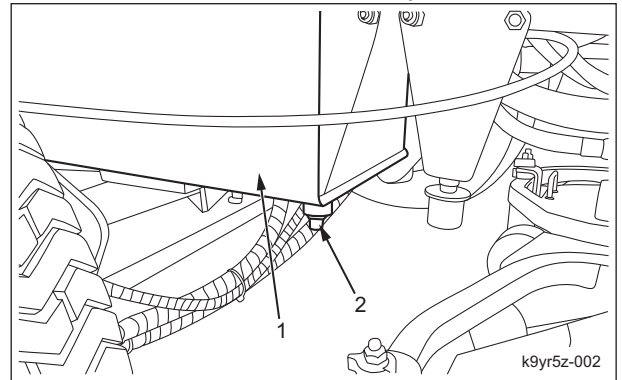
Be careful with hot oil, which could cause burns if it contacts your skin.

### Important

Use Shell Tellus S2M46 (or equivalent) as hydraulic oil.

1. Follow the steps below to remove the old oil.
  - [1] Start and run the engine to warm up the oil.
  - [2] On a level surface, lower the mower units, and then stop the engine.
  - [3] Remove the drain plug of the hydraulic tank, and then drain the old oil into a container.

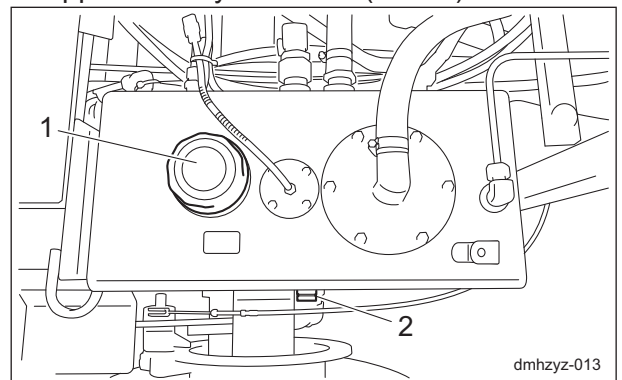
- [4] Wind new sealing tape on the drain plug, and then attach it to the hydraulic tank.



Change of Hydraulic Oil\_001

1	Hydraulic tank
2	Drain plug

2. Remove the left tank cover.
3. Open the tank cap, and then pour new oil from the fill port until the oil level reaches the middle of the oil gauge on the hydraulic tank.  
The hydraulic tank capacity is approximately 44.0 dm<sup>3</sup> (44.0 L).



Change of Hydraulic Oil\_002

1	Tank cap
2	Oil gauge

4. Tighten the tank cap securely.
5. Start the engine, raise and lower the mower units, and turn the steering wheel left and right.  
Move forward and reverse repeatedly several times.
6. Raise the mower units and maintain that position on a level surface, and then check to see if the oil level is at the middle of the oil gauge. If necessary, supply oil.
7. Check underneath the machine for oil leakage.
8. Attach the left tank cover.

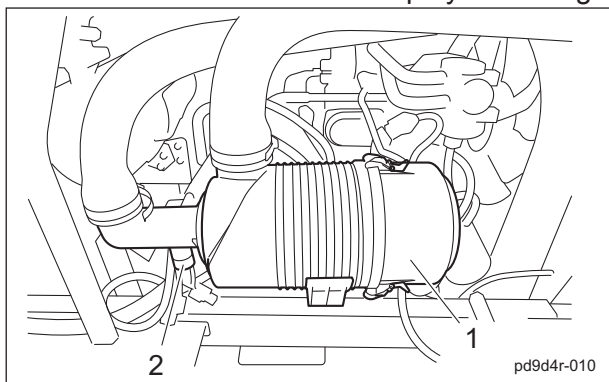
# Handling Instructions

## Air Cleaner

### Inspection of Air Cleaner

For details on handling the engine, please refer to the Engine's Owner's Manual. Liners and piston rings so that the engine will always operate smoothly. A contaminated air cleaner element may cause malfunction of the engine.

1. Inspect the air cleaner by checking the vacuum indicator. If the air cleaner element is contaminated, the vacuum indicator will display a red ring.



Inspection of Air Cleaner\_001

1	Air cleaner
2	Vacuum indicator

2. Make sure that there is no damage to the air cleaner.
3. Make sure that the air cleaner is not contaminated.

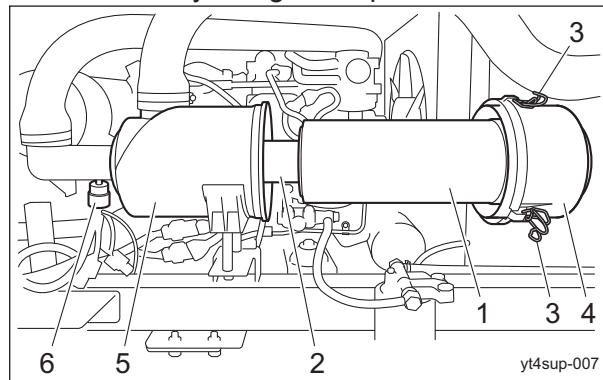
### Cleaning of Air Cleaner

For details on handling the engine, please refer to the Engine's Owner's Manual. A contaminated air cleaner element may cause malfunction of the engine. To maximize the life of the engine, clean the air cleaner properly.

1. Follow the steps below to clean the outer element.
  - [1] Remove the clips from the three locations, remove the air cleaner cap, and then remove the outer element.
  - [2] While paying close attention not to damage the outer element, tap a solid portion of the outer element or blow compressed air from its inside to remove dust and dirt. If the outer element is extremely contaminated, replace it with a new one.

- [3] Attach the outer element to the air cleaner body.

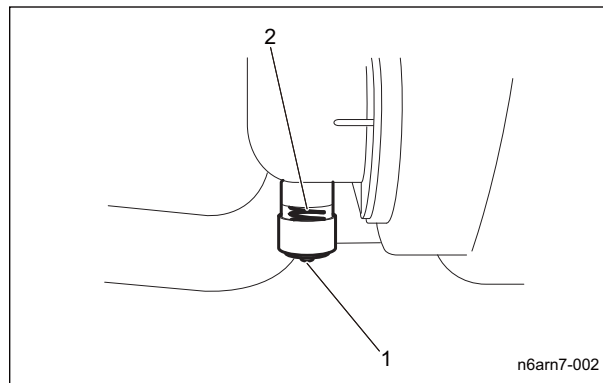
- [4] Replace the air cleaner cap, and then fix it securely using the clips.



Cleaning of Air Cleaner\_001

1	Outer element
2	Inner element
3	Clip
4	Air cleaner cap
5	Air cleaner body
6	Vacuum indicator

2. Press the reset button for the vacuum indicator.



Cleaning of Air Cleaner\_001

1	Reset button
2	Vacuum indicator

### Important

The inner element cannot be cleaned.

3. Replace the inner element every year or when it becomes damaged or dirty.

# Handling Instructions

## Change of Air Cleaner

For details on handling the engine, please refer to the Engine's Owner's Manual. A contaminated air cleaner element may cause malfunction of the engine. To maximize the life of the engine, replace the air cleaner element at the appropriate times.

1. The timing for replacing the air cleaner element is described below.
  - [1] Replace the air cleaner element in accordance with the Maintenance Schedule.
  - [2] If it is significantly contaminated, replace it, even if the hours of operation do not exceed the specified time.
  - [3] Even if the hours of operation do not exceed the specified time, change it at least once per year.
2. Replace the air cleaner element in the same manner as cleaning the air cleaner. (See "Cleaning of Air Cleaner" (Page 5-8) .)

## Battery

### Inspection of Battery

For details on handling the battery, please refer to the Battery's Owner's Manual.

**⚠ Danger**

Keep away from fire while inspecting or charging the battery. The battery may explode.

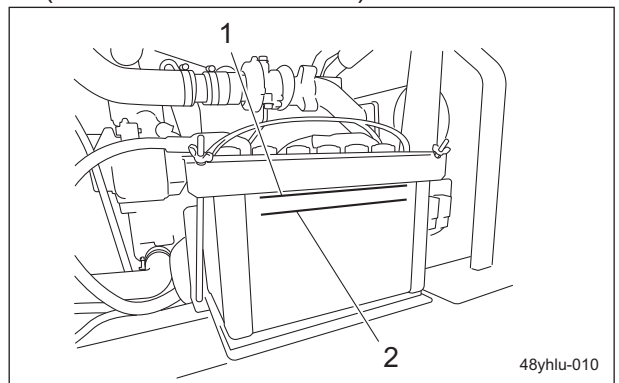
**⚠ Warning**

Do not allow the battery fluid level to become lower than the LOWER LEVEL (minimum fluid level line). The battery may explode if it is used or charged while the battery fluid level is at the LOWER LEVEL (minimum fluid level line).

**⚠ Caution**

Perform operations after the muffler and engine have sufficiently cooled. Otherwise, you may suffer burns.

1. Clean the areas around the battery fluid level lines using a cloth damped with water.
2. Make sure that the battery fluid level is between the UPPER LEVEL (maximum fluid level line) and the LOWER LEVEL (minimum fluid level line).



Inspection of Battery\_002

1	UPPER LEVEL
2	LOWER LEVEL

# Handling Instructions

## Supply of Battery Fluid

For details on handling the battery, please refer to the Battery's Owner's Manual.

### **Danger**

Be careful not to let your skin, eyes or clothes, etc., come into contact with the battery fluid or accidentally swallow the fluid.

Should your skin or clothes come into contact with the battery fluid, immediately wash them away with water.

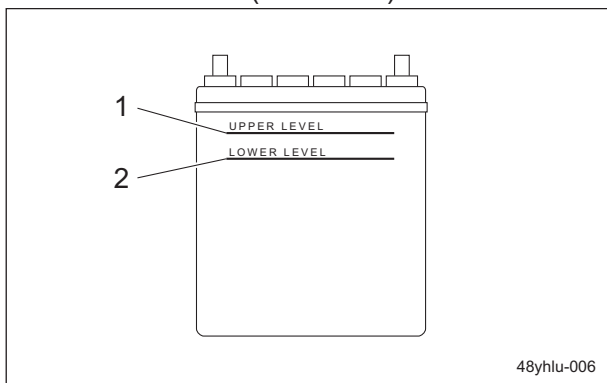
### **Warning**

When you supply battery fluid, wear protective garments and safety glasses, etc.

### **Caution**

Implement after the engine and muffler etc. have well cooled down.  
Otherwise you may get burned.

1. If the battery fluid level is lower than halfway between the UPPER LEVEL (maximum) line and LOWER LEVEL (minimum) line, add purified water up to the UPPER LEVEL (maximum) line.



Supply of Battery Fluid\_001

1	UPPER LEVEL
2	LOWER LEVEL

## Tire

### Inspection of Tires

1. Check the pneumatic pressure of the tires.
2. Make sure that there are no cracks, damage or abnormal wear.

Tire size	Pneumatic pressure
Front wheel (29 x 14.00 - 15)	150 kPa (1.5 kgf/cm <sup>2</sup> )
Rear wheel (20 x 12.00 - 10)	140 kPa (1.4 kgf/cm <sup>2</sup> )

## Brake

### Inspection of Brake

While traveling, depress the brake pedal firmly to make sure that the brake is applied effectively.

### Inspection of Parking Brake

1. Make sure that the parking brake is applied after depressing the brake pedal and pulling the parking brake lever.
2. Make sure that the parking brake is not applied even slightly after depressing the brake pedal to release the parking brake lever.

# Handling Instructions

## Belt

### Inspection of Belt

**Caution**

The engine must be stopped when the belt is inspected.

**Caution**

If you have removed the cover during inspection, make sure that you replace it in the original position securely. If the cover remains removed, the operator may come in contact with the rotating objects or belt, possibly resulting in injuries.

**Important**

A slacking or damaged belt or damaged fan may cause overheating or lack of a battery charge.

1. Press the middle of the belt with your finger to check the belt tension.
2. Make sure that there are no cracks, damage or abnormal wear.

## Around the Engine

### Inspection of Engine-Associated Parts

For details on handling the engine, please refer to the Engine's Owner's Manual.

1. Check the fuel system parts for loosened or cracked joints and leakage. Replace the parts if necessary.
2. Blow compressed air to clean any grass or flammable materials that may be attached inside or around the muffler.

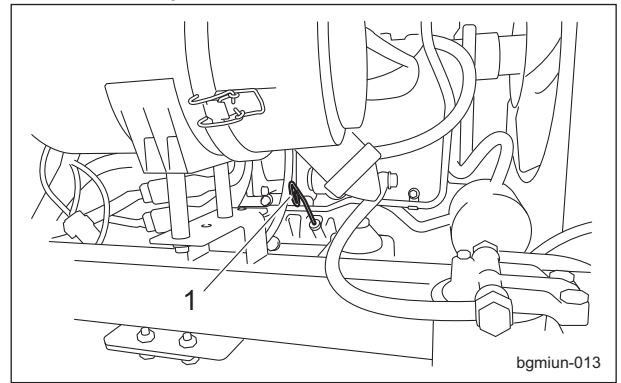
## Engine Oil

### Inspection of Engine Oil

**Important**

Securely tighten the oil level gauge and oil filler cap.

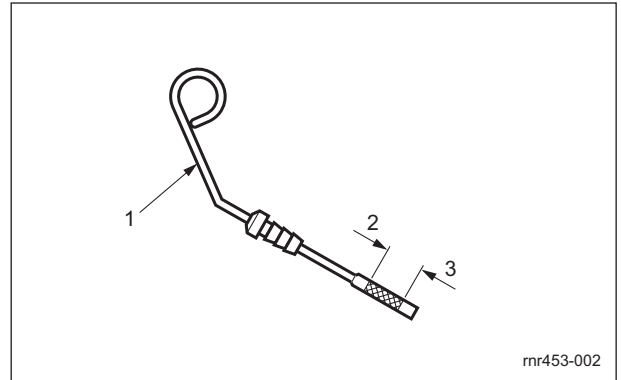
1. Stop the engine, wait for 10 to 20 minutes for the engine to cool down, and then check the oil level.
2. Position the machine so that the engine will be level, and then insert the oil level gauge all the way to check the oil level.



Inspection of Engine Oil\_001

1	Oil gauge
---	-----------

3. The appropriate oil level should be between the upper and lower limit lines on the gauge.



Inspection of Engine Oil\_002

1	Oil level gauge
2	Upper limit
3	Lower limit

# Handling Instructions

## Supply of Engine Oil

For details on handling the engine, please refer to the Engine's Owner's Manual.

### Important

Do not supply too much engine oil. Otherwise, the engine may be damaged.

### Important

Do not mix different types of engine oil.

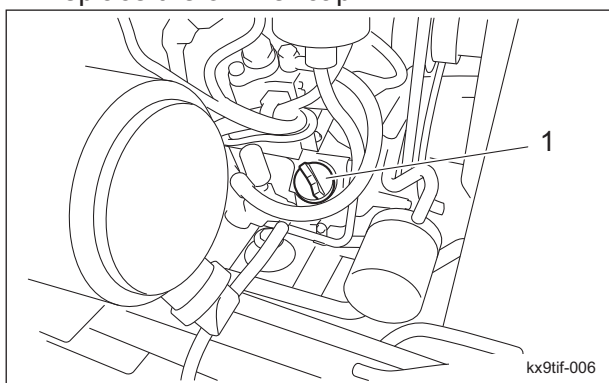
### Important

Be sure to use engine oil that is classified as JASO DH-2 or API Service Grade CJ-4, with SAE viscosity that is appropriate for the operating environment (ambient temperature).

### Important

Securely tighten the oil level gauge and oil filler cap.

1. If the engine oil level is lower than the lower limit line on the oil level gauge, supply engine oil through the oil filling port. Remove the oil filler cap, and then supply new engine oil until the oil reaches a level in between the upper and lower limit lines on the oil level gauge.
2. Replace the oil filler cap.



Supply of Engine Oil\_001

1	Oil filler cap
---	----------------

3. It will take a while for the supplied engine oil to descend into the oil pan. Check the oil level again 10 to 20 minutes after supplying the oil.

## Change of Engine Oil

For details on handling the engine, please refer to the Engine's Owner's Manual.

### Warning

When you change the engine oil, be sure to drain it into a bowl and discard it in accordance with local laws and regulations.

### Caution

Be careful with hot oil, which could cause burns if it contacts your skin.

### Important

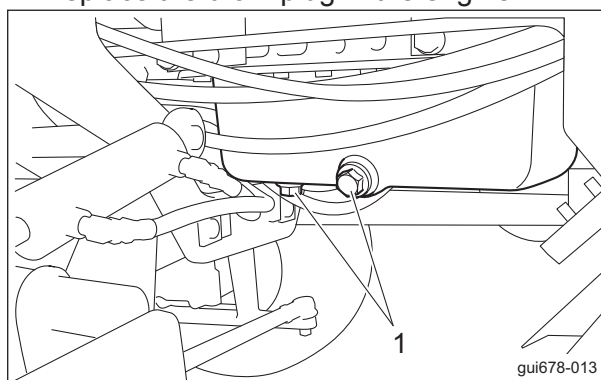
Be sure to use engine oil that is classified as JASO DH-2 or API Service Grade CJ-4, with SAE viscosity that is appropriate for the operating environment (ambient temperature).

### Important

Securely screw in the oil level gauge and oil filler cap.

Change the engine oil more frequently if the engine oil is contaminated, or if you use the machine in dusty areas or operate the engine at high loads or in high temperatures.

1. Move the machine onto a level surface, stop the engine, remove the drain plug while the engine oil is warm, and then drain the oil into a bowl.
2. Replace the drain plug in the engine.



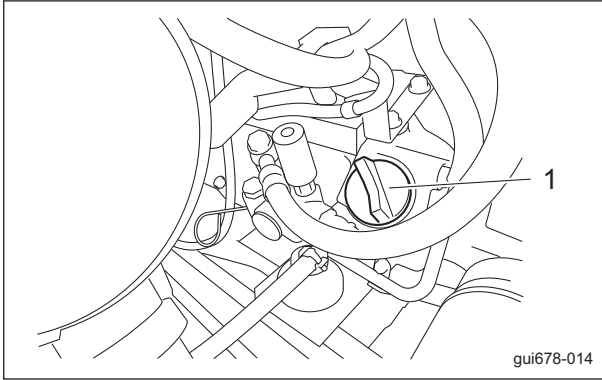
Change of Engine Oil\_001

1	Drain plug
---	------------



# Handling Instructions

- Through the oil filling port, supply new engine oil until the oil reaches a level in between the upper and lower limit lines on the oil level gauge.  
Engine oil quantity is approximately 9.7 dm<sup>3</sup> (9.7 L).
- Replace the oil filler cap.



Change of Engine Oil\_002

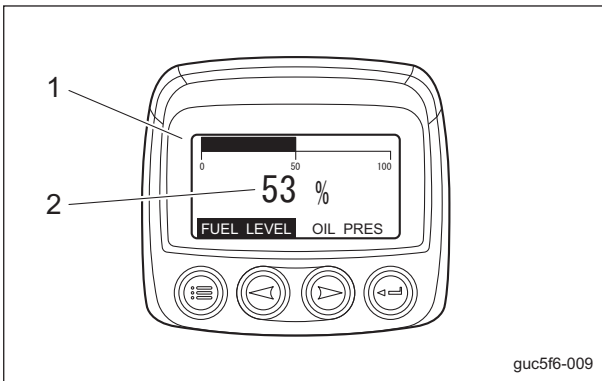
1	Oil filler cap
---	----------------

- It will take a while for the supplied engine oil to descend into the oil pan.  
Check the oil level again 10 to 20 minutes after supplying the oil.

## Fuel

### Inspection of Fuel Quantity

With the machine on a level surface, observe the fuel level in the monitor to check the fuel level.



Inspection of Fuel Quantity\_001

1	Monitor
2	Fuel level

### Fuel Supply

#### **⚠ Danger**

Do not supply additional fuel after the fuel level indicates 100%.  
If you supply too much fuel, it might overflow from the fuel cap when you travel or work on a slope.

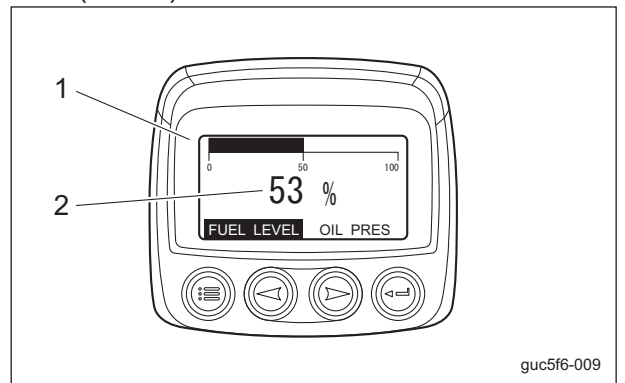
#### **⚠ Warning**

Keep fire away while refueling.  
Do not smoke while refueling.

#### **⚠ Caution**

Use ultra-low sulfur diesel fuel (sulfur-free diesel fuel).

For details on fuel types, please refer to the Engine's Owner's Manual.  
If the fuel level in the monitor indicates a level close to 0%, supply fuel (diesel) at your earliest convenience.  
The fuel tank capacity is approximately 51.0 dm<sup>3</sup> (51.0 L).



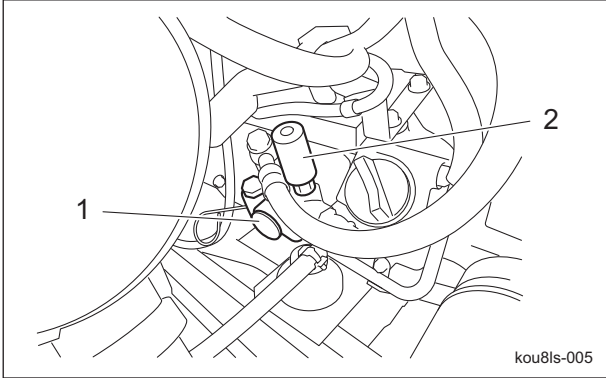
Fuel Supply\_001

1	Monitor
2	Fuel level

# Handling Instructions

## Air Bleeding of Fuel System

A priming pump is installed on the feed pump. Operate the priming pump manually to bleed air from the fuel system.



Air Bleeding of Fuel System\_001

1	Feed pump
2	Priming pump

## Water Separator

### Inspection of Water Separator

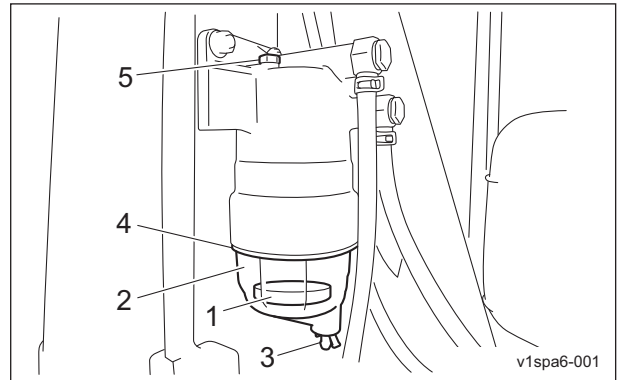
For details on handling the engine, please refer to the Engine's Owner's Manual.

**Important**

If water contaminates the fuel, the supply pump and injector may seize.

The water separator removes water from the fuel.

1. Make sure that debris and water have not accumulated in the cup. With the float raised, water incorporation is confirmed.



Inspection of Water Separator\_001

1	Float
2	Cup
3	Water drain plug
4	Element
5	Air-bleeding bolt

# Handling Instructions

## Draining of Water Separator

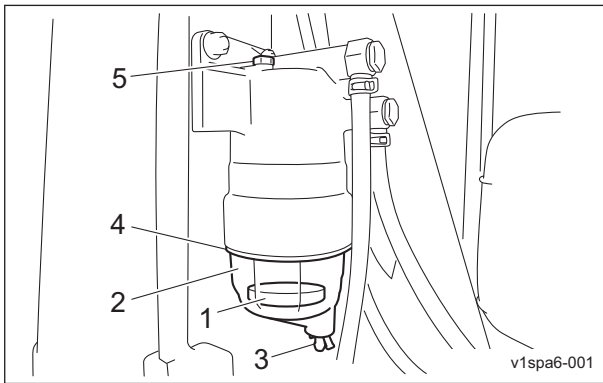
For details on handling the engine, please refer to the Engine's Owner's Manual.

**Important**

If water contaminates the fuel, the supply pump and injector may be burnt out.

Drain the water at least every 50 hours and whenever the float is raised by water.

1. Follow the steps below to drain the water.
  - [1] Stop the engine, and then turn the key switch to the "OFF" position.
  - [2] Place a container under the water separator.
  - [3] Loosen the water drain plug and air-bleeding bolt to drain the water into the container.



Draining of Water Separator\_001

1	Float
2	Cup
3	Water drain plug
4	Element
5	Air-bleeding bolt

- [4] Tighten the water drain plug and air-bleeding bolt.
- [5] Bleed air from the fuel system.

## Cleaning of Water Separator

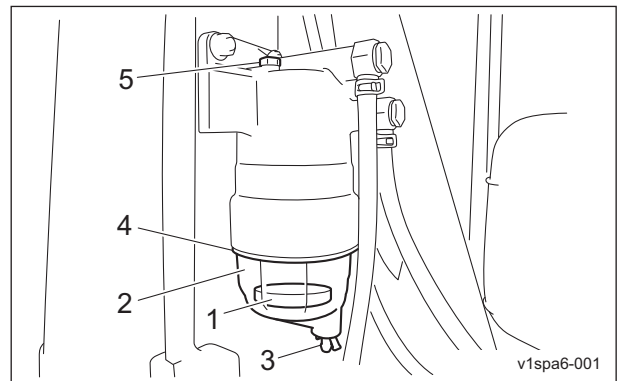
For details on handling the engine, please refer to the Engine's Owner's Manual.

**Important**

If water contaminates the fuel, the supply pump and injector may be burnt out.

Clean the water separator at least every 500 hours and whenever debris has accumulated in the cup.

1. Follow the steps below to clean the water separator.
  - [1] Stop the engine, and then turn the key switch to the "OFF" position.
  - [2] Place a container under the water separator.
  - [3] Remove and clean the cup, element and float. If replacement is necessary, install a new element.



Cleaning of Water Separator\_001

1	Float
2	Cup
3	Water drain plug
4	Element
5	Air-bleeding bolt


- [4] Install the cup, element and float in their original positions.
- [5] Bleed air from the fuel system.

# Handling Instructions

---

## Oil Leakage

### Inspection of Oil Leakage

 **Caution**

When performing maintenance on the hydraulic system, lower the mower units.

After approximately 50 hours of operation, some tightened portions may be loosened and oil and grease may leak. Be sure to retighten the parts. Check the bottom of the machine for oil and grease leakage.

## Tightening torques

### Standard tightening torques

#### Bolts and Nuts

##### Important

A number of bolts are used in each part of this machine.  
Be sure to re-tighten the bolts and nuts, because they may be loosened at the earlier stage of the use.

As to the bolts and nuts without any special instruction, tighten them in appropriate tightening torque with proper tool.

Too much tightening may cause the looseness or damage of the screw.

The strength of tightening is determined by types of screws, strength, the friction of thread face or base face and others.

The table below is for the galvanized or parkerized bolts.

In case that the strength of internal thread is weak, it is not applied.

Do not use rusty or sand attached "screw."

Otherwise, it may cause insufficient tightening even if you apply the specified tightening torque.

The friction of the screw face becomes higher and the tightening torque is canceled out by the friction, therefore sufficient tightening cannot be applied.

If "screw" is wet by water or oil, do not tighten it with normal tightening torque.


If the screw is wet, the torque coefficient will get smaller and it may result in too much tightening.

Too much tightening may cause looseness by the screw stretched or result in damage.



Do not use a bolt experienced too much burden.

Using the impact wrench requires the skill.

Do exercise as much as possible for steady tightening.

Nominal diameter	General bolt		
	Strength classification 4.8		
			
	N-m	kgf-cm	lb-in
M5	3 - 5	30.59 - 50.99	26.55 - 44.26
M6	7 - 9	71.38 - 91.77	61.96 - 79.66
M8	14 - 19	142.76 - 193.74	123.91 - 168.17
M10	29 - 38	295.71 - 387.49	256.68 - 336.34
M12	52 - 67	530.24 - 683.20	460.25 - 593.02
M14	70 - 94	713.79 - 958.52	619.57 - 831.99
M16	88 - 112	897.34 - 1142.06	778.89 - 991.31
M18	116 - 144	1,182.85 - 1,468.37	1,026.72 - 1,274.54
M20	147 - 183	1,498.96 - 1,866.05	1,301.10 - 1,619.73
M22	295	3,008.12	2,611.05
M24	370	3,772.89	3,274.87
M27	550	5,608.35	4,868.05
M30	740	7,545.78	6,549.74

# Handling Instructions

Nominal diameter	Heat-treated bolt					
	Strength classification 8.8			Strength classification 10.9		
	 tib3yb-002			 tib3yb-003		
	N-m	kgf-cm	lb-in	N-m	kgf-cm	lb-in
M5	5 - 7	50.99 - 71.38	44.26 - 61.96	7 - 10	71.38 - 101.97	61.96 - 88.51
M6	8 - 11	81.58 - 112.17	70.81 - 97.36	14 - 18	142.76 - 183.55	123.91 - 159.32
M8	23 - 29	234.53 - 295.71	203.57 - 256.68	28 - 38	285.52 - 387.49	247.83 - 336.34
M10	45 - 57	458.87 - 581.23	398.30 - 504.51	58 - 76	591.43 - 774.97	513.36 - 672.68
M12	67 - 85	683.20 - 866.75	593.02 - 752.34	104 - 134	1,060.49 - 1,366.40	920.50 - 1186.03
M14	106 - 134	1,080.88 - 1,366.40	938.21 - 1,186.03	140 - 188	1,427.58 - 1,917.04	1,239.14 - 1,663.99
M16	152 - 188	1,549.94 - 1,917.04	1,345.35 - 1,663.99	210 - 260	2,141.37 - 2,651.22	1,858.71 - 2,301.26
M18	200 - 240	2,039.40 - 2,447.28	1,770.20 - 2,124.24	280 - 340	2,855.16 - 3,466.98	2,478.28 - 3,009.34
M20	245 - 295	2,498.27 - 3,008.12	2,168.50 - 2,611.05	370 - 450	3,772.89 - 4,588.65	3,274.87 - 3,982.95
M22	-	-	-	530	5,404.41	4,691.03
M24	-	-	-	670	6,831.99	5,930.17
M27	-	-	-	1,000	10,197.00	8,851.00
M30	-	-	-	1,340	14,628.78	11,860.34

**Note:**

The same values are applied to "fine screw thread."

# Handling Instructions

## Principal tightening torques

### Tightening Torque by Model

GM2810

Tighten the following bolts and nuts at the torque specified in the table.

For thread locking adhesive, apply a middle strength thread locker (ThreeBond 1322 or equivalent anaerobic sealant).

Location		Code	Part name	Tightening torque			Thread locking adhesive
				N-m	kgf-cm	lb-in	
Front wheel	Motor housing	K0014160402	Bolt, heat-treated M16-40P1.5	152 - 188	1549.94 - 1917.04	1345.35 - 1663.99	—
	Motor	K0013140502	Bolt, heat-treated M14-50	100	1019.7	885.1	—
	Wheel mounting base	1 1/4-18UNF	Slotted nut (Hydraulic motor)	400 - 430	4078.80 - 4384.71	3540.40 - 3805.93	—
	Disc brake	K0024080401	Bolt, w/hexagon hole, M8-40	28 - 38	285.52 - 387.49	247.83 - 336.34	—
	Wheel	K0014120652	Bolt, heat-treated M12-65P1.5	67 - 85	683.20 - 833.75	593.02 - 752.34	—
Rear wheel	Wheel mounting base	K0138240002	24 slotted nut high P1.5	180 - 200	1835.46 - 2039.40	1593.18 - 1770.20	—
	Wheel	K0014120652	Bolt, heat-treated M12-65P1.5	67 - 85	683.20 - 866.75	593.02 - 752.34	—
Front axle	K0015200702	Bolt, heat-treated M20-70P1.5	370 - 450	3772.89 - 4588.65	3274.87 - 3982.95	—	
Brake ass'y	K1720000190	Bolt, heat-treated M12P1.75	150 ± 15	1529.55 ± 152.96	1327.65 ± 132.77	○	
Engine	K0012120352	Bolt, heat-treated M12-35P1.25	67 - 134	683.20 - 1366.40	593.02 - 1186.03	—	
	K0015120552	Bolt, heat-treated M12-55P1.25	67 - 134	683.20 - 1366.40	593.02 - 1186.03	—	
	K0011100502	Bolt, heat-treated M10-50P1.25	45 - 76	458.87 - 774.97	398.30 - 672.68	—	
	K0013121102	Bolt, heat-treated M12-110	67 - 134	683.20 - 1366.40	593.02 - 1186.03	○	
Flywheel adapter	K0011100302	Bolt, heat-treated M10-30P1.25	45 - 76	458.87 - 774.97	398.30 - 672.68	—	
	K0010100352	Bolt, heat-treated M10-35	45 - 76	458.87 - 774.97	398.30 - 672.68	○	
Joint	K0024100401	Bolt, w/hexagon hole, M10-40	80	815.76	708.08	—	
	K0013100352	Bolt, heat-treated M10-35	45 - 76	458.87 - 774.97	398.30 - 672.68	○	
Kingpin stopper	K0010120502	Bolt, heat-treated M12-50	52 - 67	530.24 - 683.20	460.25 - 593.02	—	
Tie rod	K1610000020	Slotted nut of tie rod end RH	45	458.87	398.30	—	

# Handling Instructions

---

Location	Code	Part name	Tightening torque			Thread locking adhesive
			N-m	kgf-cm	lb-in	
Tie rod	K1611000020	Slotted nut of tie rod end LH	45	458.87	398.30	—
Piston pump	K0013120502	Bolt, heat-treated M12-50	67 - 134	683.20 - 1366.40	593.02 - 1186.03	—
Tandem gear pump	K0069000251	Bolt, 3/8-16 UNC 31.8	29 - 38	295.71 - 387.49	256.68 - 336.34	—
Pedal stopper	K0013101202	Bolt, heat-treated M10-120	29 - 38	295.71 - 387.49	256.68 - 336.34	—
Diff-lock valve	K0024100151	Bolt, w/hexagon hole, M10-15	29 - 38	295.71 - 387.49	256.68 - 336.34	—
Knife and knife guide	K0010120302	Bolt, heat-treated M12-30	67 - 85	683.20 - 866.75	593.02 - 752.34	—
Shoulder bolt	GM2800-0207Z2	Shoulder bolt	67 - 134	683.20 - 1366.40	593.02 - 1186.03	—
Bumper	K0010120302	Bolt, heat-treated M12-30	67 - 134	683.20 - 1366.40	593.02 - 1186.03	—
Cover mounting bracket	K0000080202	Bolt, M8-20	9 - 14	91.77 - 142.76	61.96 - 123.91	—



# Handling Instructions

## Adjustment Before Operating

### Adjustment of Steering Wheel

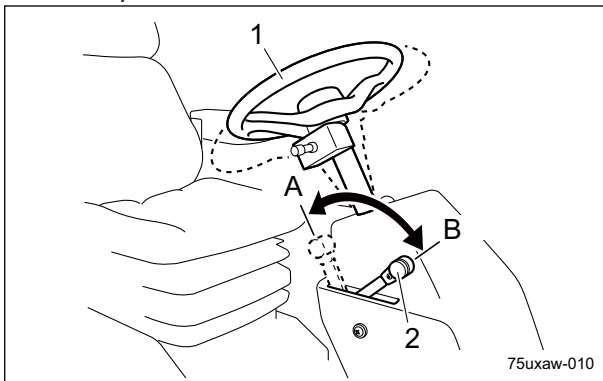
**Warning**

Since it is dangerous, do not adjust the steering wheel while traveling.

**Caution**

Be sure the steering wheel position is securely locked. It would be extremely dangerous if it becomes loose while traveling.

The steering wheel can be adjusted up or down. Adjust the position according to the operator's body size. Shift the tilt lever to the "FREE" position, move the steering wheel to the position that suits your work requirements, and then shift the tilt lever to the "LOCK" position to secure the steering wheel in place. The tilt lever is located in the right front of the driver's position.



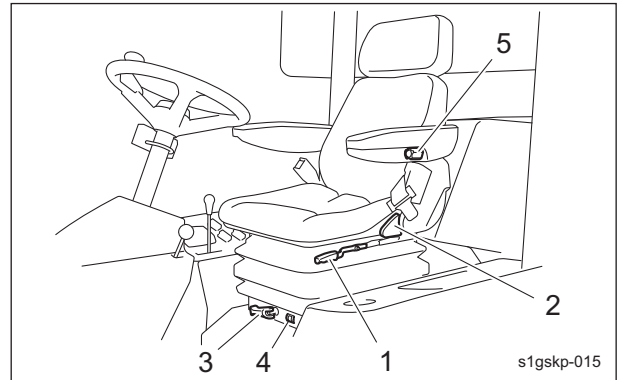
Adjustment of Steering Wheel\_001

1	Steering wheel
2	Tilt lever
A	FREE (released)
B	LOCK (locked)

### Adjustment of Seat

Use the seat adjustment levers to adjust the seat. Adjust the position according to the operator's body size.

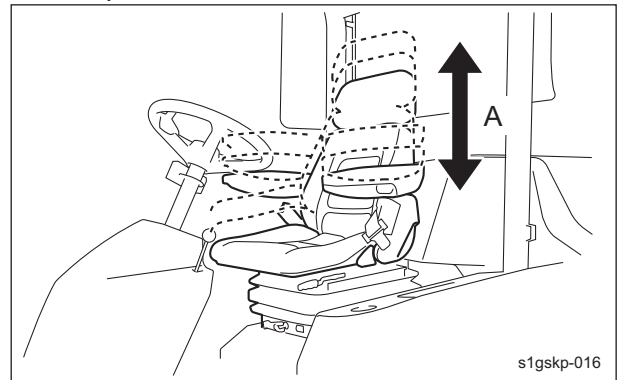
1. Use the forward/backward adjustment lever to adjust the seat back and forth.
2. Use the backrest tilt adjustment lever to adjust the angle of the backrest.
3. Turn the suspension adjustment handle to adjust the firmness of the seat suspension. Observe the suspension adjustment scale while making adjustments. (50 - 130 kg)
4. Turn the armrest adjustment knob to adjust the angle of the armrests.



Adjustment of Seat\_001

1	Forward/backward adjustment lever
2	Backrest tilt adjustment lever
3	Suspension adjustment handle
4	Suspension adjustment scale
5	Armrest adjustment knob

5. Lift the seat to adjust its height to one of three positions.



Adjustment of Seat\_002

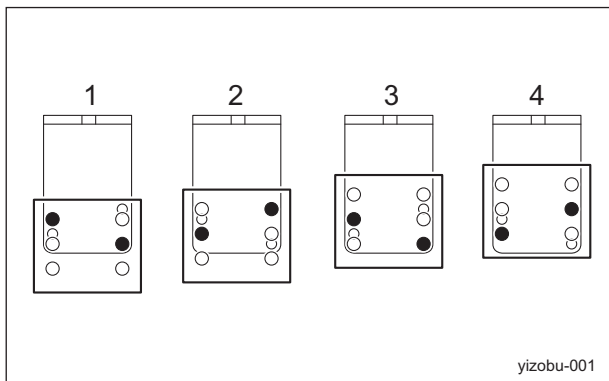
A	Three positions
---	-----------------

# Handling Instructions

## Adjustment of Cutting Height

### Cutting Height Table

The adjustment range for the cutting height is 20.0 - 91.5 mm.



Cutting Height Table\_001

1	Adjusting plate position 1
2	Adjusting plate position 2
3	Adjusting plate position 3
4	Adjusting plate position 4

Adjusting Plate Position	1	2	3	4
Adjusting Collars Inserted Under Cutting Height Adjusting Plate (Qty)	Cutting Height (mm)			
0	20.0	30.0	45.5	55.5
1	26.0	36.0	51.5	61.5
2	32.0	42.0	57.5	67.5
3	38.0	48.0	63.5	73.5
4	44.0	54.0	69.5	79.5
5	50.0	60.0	75.5	85.5
6	56.0	66.0	81.5	91.5

**Note:**

The factory default cutting height is 48 mm.

### Adjustment With Adjusting Collars

Adjusting collars are installed at three locations on each mower unit.

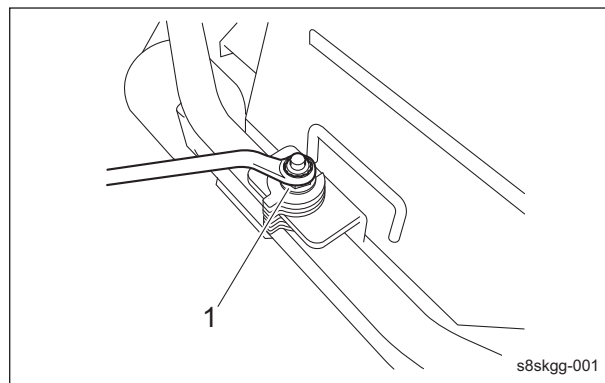
**Important**

The length of grass cut off at any one time must be no more than 30 mm.

**Important**

Do not cut off more than 1/3 of the grass height.

1. Apply the parking brake, and then lower all mower units.
2. Stop the engine, and then remove the key.
3. Loosen the nuts securing the adjusting collars at the three locations.



Adjustment With Adjusting Collars\_001

1	Nut
---	-----

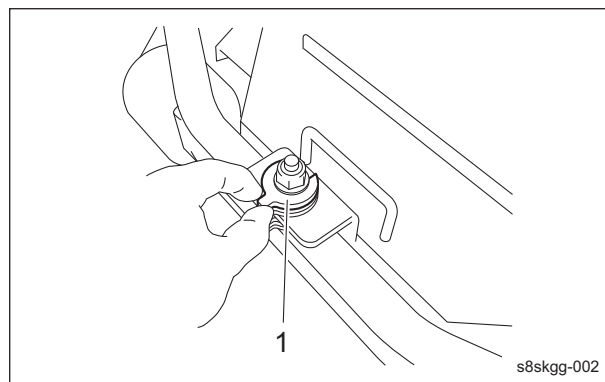
4. Refer to the Cutting Height Table, and then adjust the number of adjusting collars at the three locations.

[1] To increase cutting height:

Remove an upper adjusting collar and insert it below.

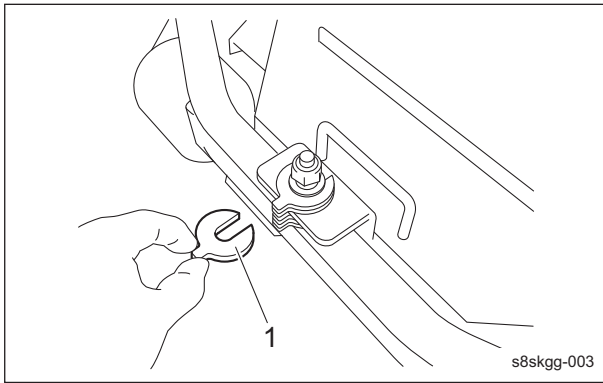
[2] To decrease cutting height:

Remove a lower adjusting collar and insert it above.



Adjustment With Adjusting Collars\_002

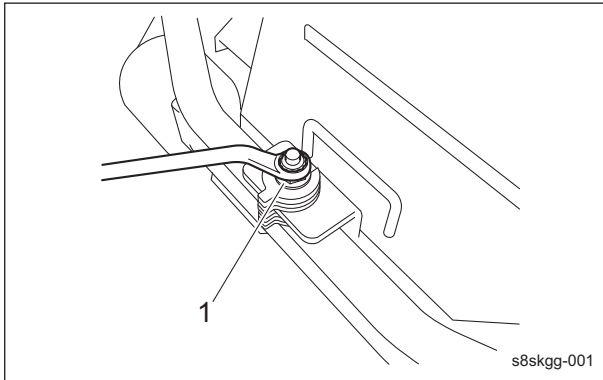
# Handling Instructions



Adjustment With Adjusting Collars\_003

1	Adjusting collar
---	------------------

5. After adjusting the adjusting collars at the three locations, firmly tighten all nuts.



Adjustment With Adjusting Collars\_004

1	Nut
---	-----

### Adjustment With Cutting Height Adjusting Plates

Cutting height adjusting plates are installed at three locations on each mower unit.

**Important**

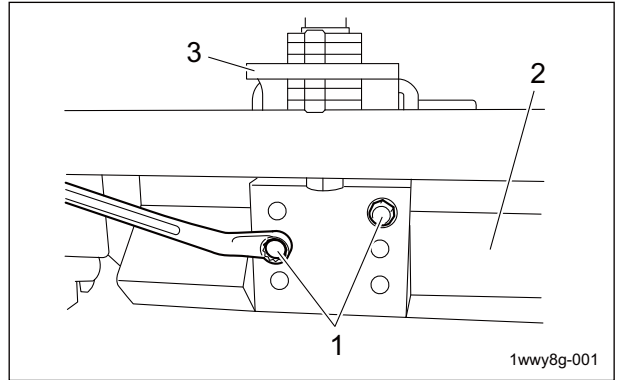
The length of grass cut off at any one time must be no more than 30 mm.

**Important**

Do not cut off more than 1/3 of the grass height.

1. Apply the parking brake, and then lower all mower units.
2. Stop the engine, and then remove the key.

3. Loosen the six bolts securing the cutting height adjusting plates at the three locations on the mower unit.



Adjustment With Cutting Height Adjusting Plates\_001

1	Bolt
2	Mower unit
3	Cutting height adjusting plate

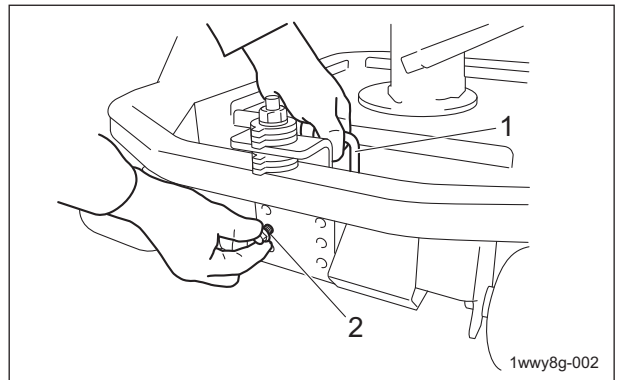
4. Refer to the Cutting Height Table, and then change the hole positions.

[1] To increase cutting height:

- a. While lifting the handle at each location on the mower unit, remove the two bolts.
- b. Raise the mower unit to change the hole positions, and then temporarily secure it with the two bolts.

[2] To decrease cutting height:

- a. While lifting the handle at each location on the mower unit, remove the two bolts.
- b. Lower the mower unit to change the hole positions, and then temporarily secure it with the two bolts.

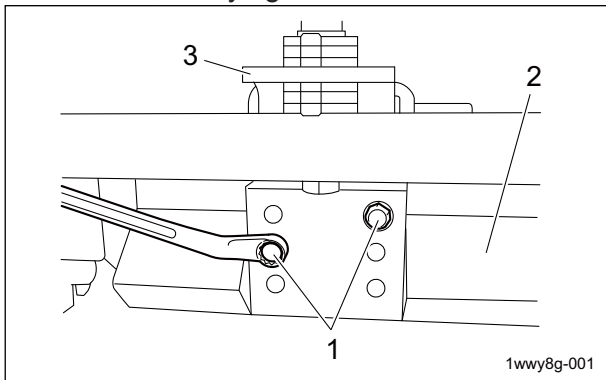


Adjustment With Cutting Height Adjusting Plates\_002

1	Handle
2	Bolt

# Handling Instructions

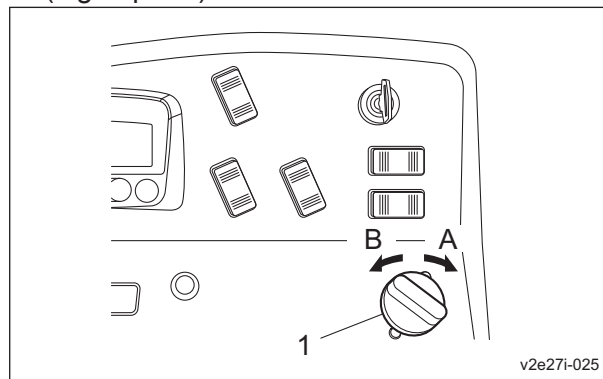
5. After making adjustments at the three locations, firmly tighten all bolts.



Adjustment With Cutting Height Adjusting Plates\_003

1	Bolt
2	Mower unit
3	Cutting height adjusting plate

5. Move the throttle knob halfway from the turtle icon (low speed) to the rabbit icon (high speed).



Procedure to Start Engine\_001

1	Throttle knob
A	High speed
B	Low speed

## Procedure to Start / Stop Engine

### Start / Stop of Engine

#### Procedure to Start Engine

#### Warning

Before starting the engine, make sure that there are no other people or obstacles around the machine.

#### Caution

When restarting the engine after it has been turned off, wait until the electromagnetic pump has fully stopped before restarting the engine. The electromagnetic pump will stop approximately 7 seconds after the key switch is turned to the "OFF" position.

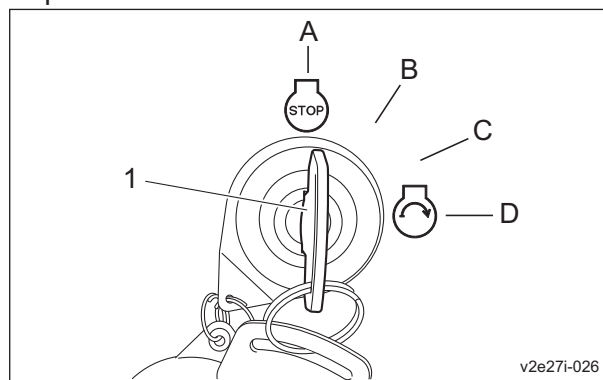
#### Important

Starter operation must take 15 seconds or less.

If the engine does not start, stop using the battery for 30 to 60 seconds to avoid exhausting the battery.

1. Sit on the seat.
2. Make sure that the parking brake is applied.
3. Make sure that the knife rotation switch is in the "OFF" position.
4. Make sure that the traveling pedal is in the neutral position.

6. Switch the ignition key to the "ON (GLOW)" position.



Procedure to Start Engine\_002

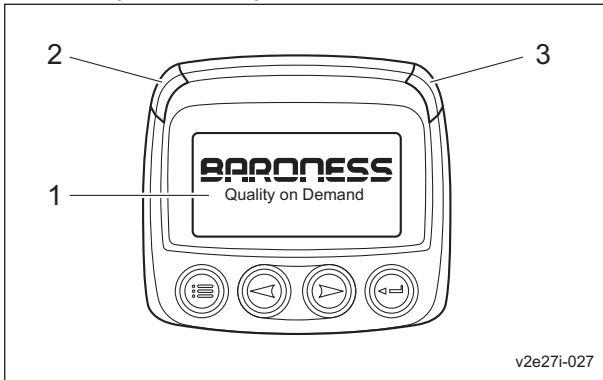
1	Ignition key
A	OFF
B	ON (GLOW)
C	Unused
D	START

# Handling Instructions

**Caution**

When the ignition key is switched to the "ON" position, "Warming up" may appear in the monitor display. Do not start the engine until the message disappears.

7. Make sure that the glow plug is generating heat, the "BARONESS" logo or "Warming up" message appears in the monitor display, and the yellow and red LEDs are lit.



Procedure to Start Engine\_003

1	Monitor display
2	Yellow LED
3	Red LED

**Caution**

Quickly returning the ignition key from the "START" position to the "ON" position may result in damage to the machine.

8. After the "BARONESS" logo and the yellow and red LEDs go off and the parameters (items and values such as the rotation speed) appear, immediately set the ignition key to the "START" position.
9. When the starter starts rotating and the engine starts, slowly return the ignition key to the "ON" position.
10. Move the throttle knob to the turtle icon (low speed), and then warm up the engine for 1-2 minutes.
11. Gradually move the throttle knob to the rabbit icon (high speed).

### Procedure to Stop Engine

1. Set the traveling pedal to the neutral position.
2. Apply the parking brake.

3. Set the knife rotation switch to the "OFF" position.
4. Shift the throttle knob to the turtle icon (low speed), and then idle the machine for 1-2 minutes.
5. Switch the ignition key to the "OFF" position.
6. Make sure that the engine has stopped.
7. Remove the ignition key.
8. Leave the driver's seat.

### Safety Mechanisms


This machine features a safety device for starting/stopping the engine.

1. As for starting the engine, the safety device prevents the engine from starting unless it meets each of the following four conditions.
  - An operator is sitting on the seat.
  - The parking brake is applied.
  - The knife rotation switch is set to the "OFF" position.
  - The traveling pedal is set to the neutral position.
2. In the event the operator leaves the seat with the parking brake applied and the engine running, the safety device will be activated and will stop the engine under any of the following conditions:
  - The traveling pedal is not set to the neutral position. (The operator has depressed the traveling pedal.)
  - The knife rotation switch is set to the "ON" position.

# Handling Instructions

---

## Warning Mechanisms

 Caution

When the buzzer (intermittent tone) sounds, be sure to stop operation since the engine is overheated.

Do not stop the engine without idling. Allow the engine to cool down, first. Keep the engine idling for about 5 minutes before stopping.

Remove dust that is jamming in the radiator, air cleaner, and etc.

This machine features warning mechanisms for overheating, the hydraulic oil and the engine.

1. If the engine water temperature exceeds 115 degrees Celsius, a buzzer will sound. (intermittent tone)
2. If the oil level in the hydraulic tank declines from the specified level by approximately 2.0 dm<sup>3</sup> (2.0 L), a buzzer will sound. (continuous tone)
3. With an engine malfunction, a monitor LED lights up and a fault code appears.

# Handling Instructions

## Operation of Each Section

### Precautions for Operating the Machine

**Caution**

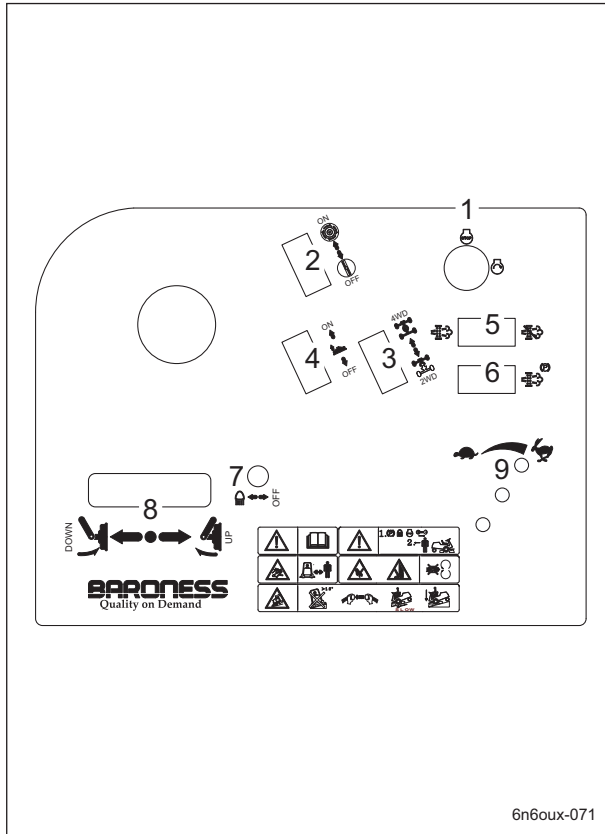
Under any circumstances drive the machine at such a speed that you can stop it immediately for emergencies.

### Cautions for when You Leave the Machine

**Caution**

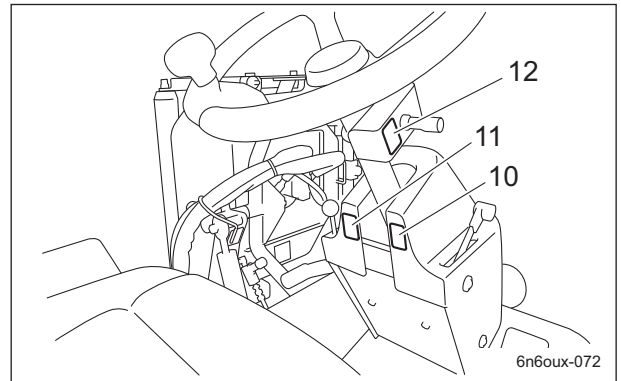
If the brakes are not sufficiently effective, use the wheel stoppers to secure the machine.

### Instruction Decals



Instruction Decals\_001

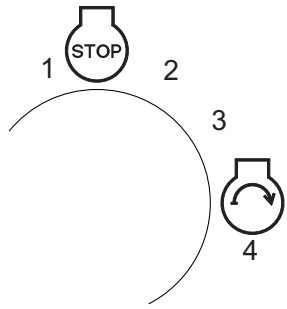
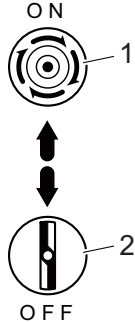
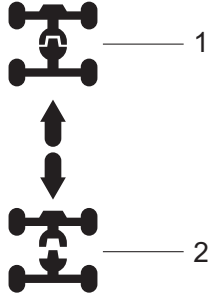
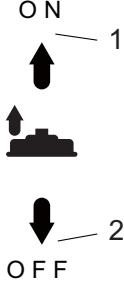

1	Decal, key switch
2	Decal, knife rotation switch
3	Decal, 2WD/4WD selector switch
4	Decal, traction assist switch
5	Decal, DPF auto regeneration inhibit switch
6	Decal, DPF parked regeneration switch
7	Decal, light switch
8	Decal, mower unit up/down lever
9	Engine speed icons



Instruction Decals\_002

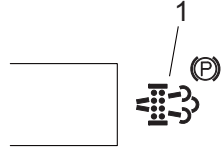
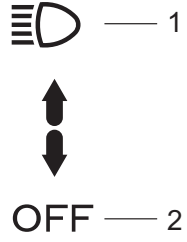
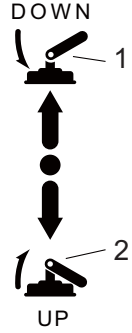

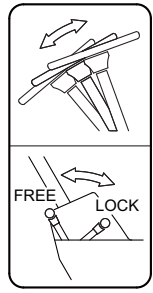
10	Tilt steering decal
11	Parking brake decal
12	Differential lock decal

# Handling Instructions


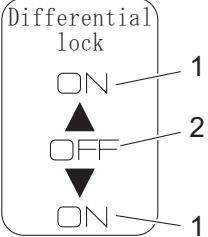
<p>1</p>	<p>Decal, key switch It illustrates the positions of the key switch.</p> <ol style="list-style-type: none"> <li>1. OFF</li> <li>2. ON</li> <li>3. Unused</li> <li>4. START</li> </ol>	 <p>6n6oux-073</p>
<p>2</p>	<p>Decal, knife rotation switch This illustrates rotation/stopping of the rotary knife.</p> <ol style="list-style-type: none"> <li>1. Rotate</li> <li>2. Stop</li> </ol>	 <p>6n6oux-067</p>
<p>3</p>	<p>Decal, 2WD/4WD selector switch This illustrates 2WD/4WD selection.</p> <ol style="list-style-type: none"> <li>1. 4WD</li> <li>2. 2WD</li> </ol>	 <p>6n6oux-055</p>
<p>4</p>	<p>Decal, traction assist switch This illustrates engaging/releasing of traction assist.</p> <ol style="list-style-type: none"> <li>1. Engaged</li> <li>2. Released</li> </ol>	 <p>6n6oux-074</p>
<p>5</p>	<p>Decal, DPF regeneration inhibit switch This indicates the positions of the DPF regeneration inhibit switch.</p> <ol style="list-style-type: none"> <li>1. Regenerate</li> <li>2. Regeneration inhibited</li> </ol>	 <p>6n6oux-077</p>



# Handling Instructions

6	<p>Decal, DPF parked regeneration switch</p> <p>This indicates the position of the DPF parked regeneration switch.</p> <ol style="list-style-type: none"><li>1. Engaged</li></ol>	 <p>6n6oux-078</p>
7	<p>Decal, light switch</p> <p>It illustrates ON/OFF of the light.</p> <ol style="list-style-type: none"><li>1. ON</li><li>2. OFF</li></ol>	 <p>6n6oux-057</p>
8	<p>Decal, mower unit up/down lever</p> <p>These indicate positions for raising and lowering the mower unit.</p> <ol style="list-style-type: none"><li>1. Lowered</li><li>2. Raised</li></ol>	 <p>6n6oux-070</p>
9	<p>Engine speed icons</p> <p>These indicate positions for low and high engine speeds.</p> <ol style="list-style-type: none"><li>1. Low speed</li><li>2. High speed</li></ol>	 <p>6n6oux-075</p>
10	<p>K4203001350</p> <p>Tilt steering decal</p> <p>This shows the steering tilt directions and how to lock and release the position.</p>	 <p>6n6oux-065</p>

# Handling Instructions

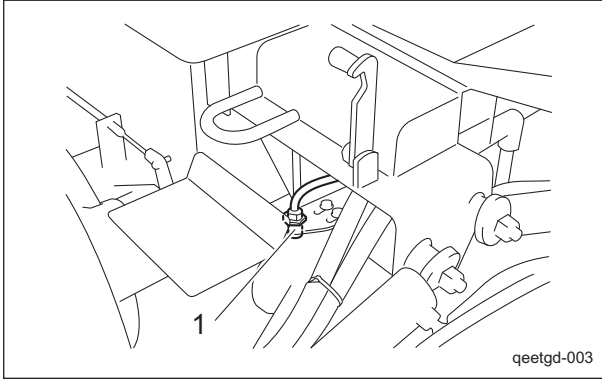
11	<p>K4203001340 Parking brake decal</p> <p>This shows how to lock and release the parking brake.</p> <ol style="list-style-type: none"> <li>1. Locked</li> <li>2. Released</li> </ol>	 <p style="text-align: right;">6n6oux-013</p>
12	<p>K4203001420 Decal, differential lock</p> <p>This indicates the positions for engaging or releasing the differential lock.</p> <ol style="list-style-type: none"> <li>1. Engaged</li> <li>2. Released</li> </ol>	 <p style="text-align: right;">6n6oux-076</p>

# Handling Instructions

## Proximity Sensors

There are two proximity sensors on mower arm fulcrums #4 and #5.

These sensors detect the raised or lowered positions of mower units #4 and #5 and rotate or stop the rotary knives.



Proximity Sensor\_001

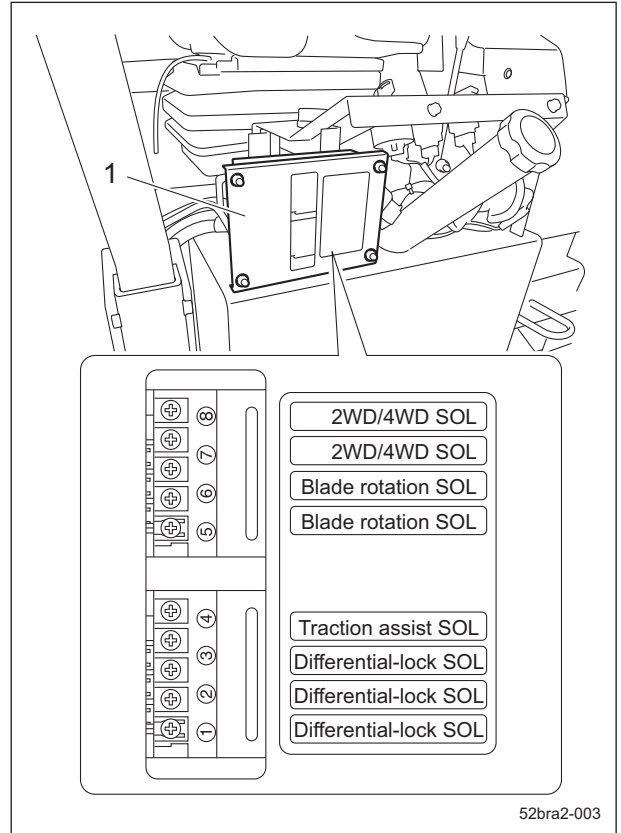
1	Proximity sensor
---	------------------

## Relays

The relay box is at the front of the right hood. These relays control operation of the diff-lock valve, rotation of the rotary knives, 2WD/4WD selection and traction assist selection. The operating condition can be checked by the illumination of the LEDs.

- LEDs ①, ② and ③ light up when the diff-lock valve is in the "ON" position.
- LED ④ lights up when the traction assist switch is in the "ON" position.
- LEDs ⑤ and ⑥ light up when the knife rotation switch is in the "ON" position and the mower deck is lowered.
- LED ⑦ lights up when the knife rotation switch is in the "ON" position, and then the machine enters 4WD.

- LED ⑧ lights up when the 2WD/4WD selector switch is in the "4WD" position, and then the machine enters 4WD.



Relays\_001

1	Relay box
---	-----------

# Handling Instructions

## Knife Rotation Switch

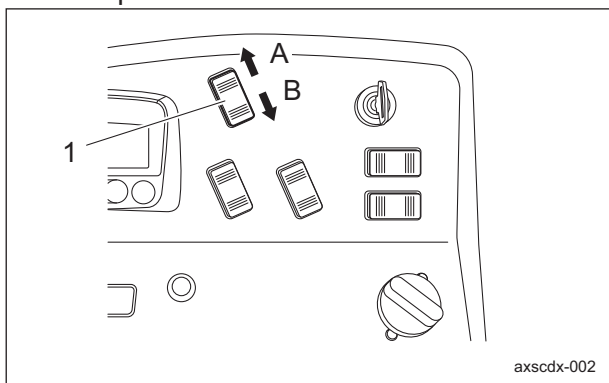
**⚠ Caution**

Before you start cutting work, set the knife rotation switch to the "ON" position. At all other times, make sure it is set to the "OFF" position.

The knife rotation switch is located in the operation panel and controls the rotation of the rotary knives.

When the knife rotation switch is set to the "ON" position, the rotary knife in all mower units rotates. When the knife rotation switch is set to the "OFF" position, the rotary knives stop.

When the mower units are raised, the rotary knives do not rotate, even if the switch is set to the "ON" position.



Knife Rotation Switch\_001

1	Knife rotation switch
A	ON
B	OFF

**Note:**

When the knife rotation switch is set to the "ON" position, the machine enters 4WD, regardless of the position that the 2WD/4WD selector switch is set to.

## 2WD/4WD Selector Switch

**⚠ Caution**

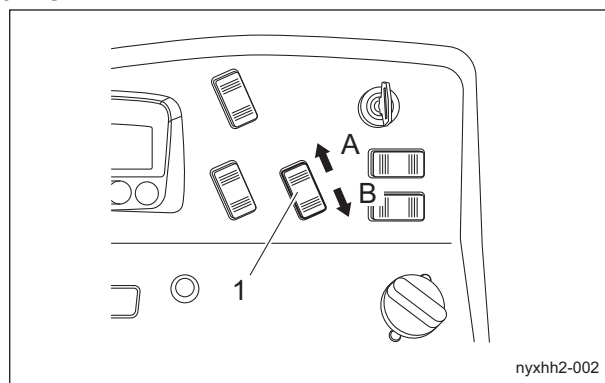
When working on a slope, be sure to use the machine in 4WD.

**⚠ Caution**

When traveling, be sure to stop the knives and raise the mower units.

The 2WD/4WD selector switch is located in the operation panel.

When the switch is set to the "2WD" position, the machine will be in two-wheel drive (front-wheel drive). When it is set to the "4WD" position, the machine will be in four-wheel drive.



2WD/4WD Selector Switch\_001

1	2WD/4WD selector switch
A	4WD
B	2WD

**Note:**

When the knife rotation switch is set to the "ON" position, the machine enters 4WD, regardless of the position that the 2WD/4WD selector switch is set to.

# Handling Instructions

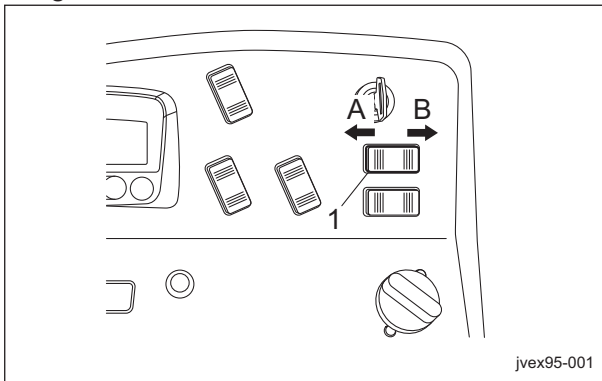
## DPF Auto Regeneration Inhibit Switch

**Caution**

Normally, set the DPF auto regeneration inhibit switch to the "Auto regeneration" position. However, when operating in a location where fires may occur, set the DPF auto regeneration inhibit switch to the "Auto regeneration inhibit" position.

The DPF auto regeneration inhibit switch is located in the operation panel.

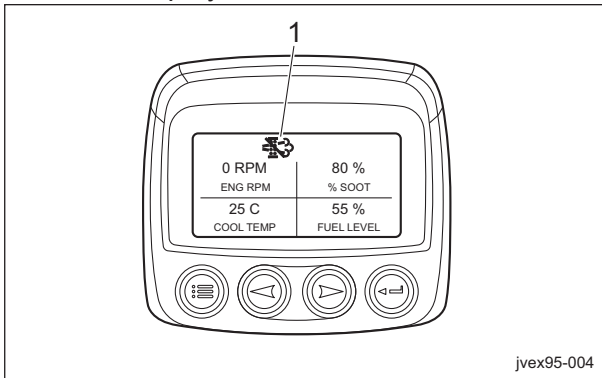
When the switch is set to the "Auto regeneration" position, auto regeneration is performed. When the switch is set to the "Auto regeneration inhibit" position, auto regeneration is inhibited.



DPF Auto Regeneration Inhibit Switch\_001

1	DPF auto regeneration inhibit switch
A	Auto regeneration
B	Auto regeneration inhibit

When the switch is set to the "Auto regeneration inhibit" position, the auto regeneration inhibit icon appears in the monitor display.



DPF Auto Regeneration Inhibit Switch\_002

1	Auto regeneration inhibit icon
---	--------------------------------

## DPF Parked Regeneration Switch

**Danger**

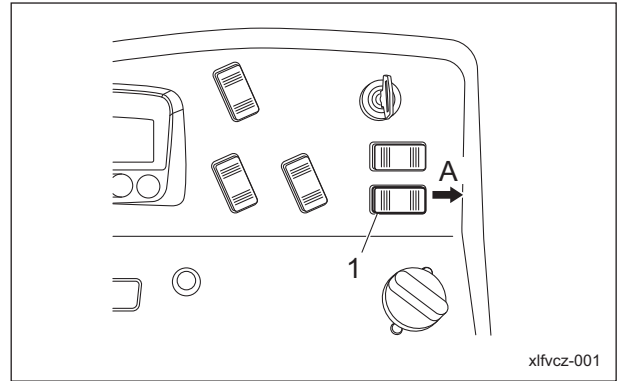
Since it will become extremely hot around the exhaust outlet, do not perform DPF regeneration in a location where fires may occur.

**Important**

If parked regeneration is not needed, it will not start, even if the switch is pressed.

The DPF parked regeneration switch is located in the operation panel.

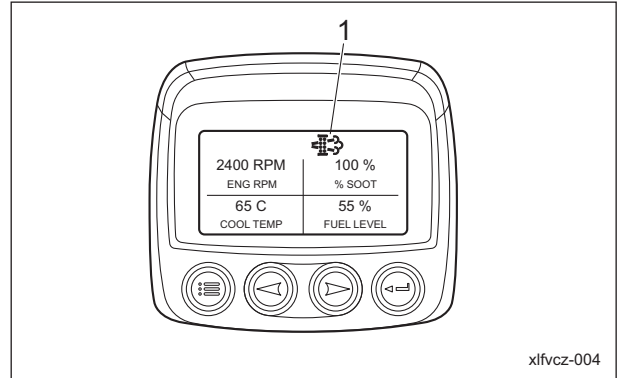
When the regeneration icon is blinking, set the switch to the "Engaged" position to start parked regeneration.



DPF Parked Regeneration Switch\_001

1	DPF parked regeneration switch
A	Engaged

When parked regeneration starts, the regeneration icon in the monitor display changes from blinking to lighting.



DPF Parked Regeneration Switch\_002

1	Regeneration icon
---	-------------------

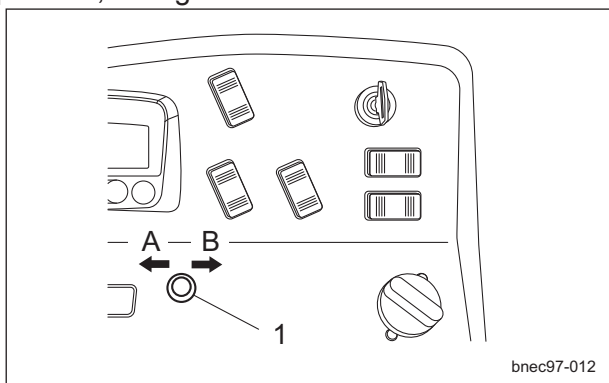
# Handling Instructions

## Light Switch

**Warning**

The lights provide auxiliary lighting. Do not travel or operate the machine at night or under poor visibility.

The light switch is located in the operation panel. When the switch is set to the "ON" position, the lights turn on. When it is set to the "OFF" position, the lights turn off.



Light Switch\_001

1	Light switch
A	ON
B	OFF

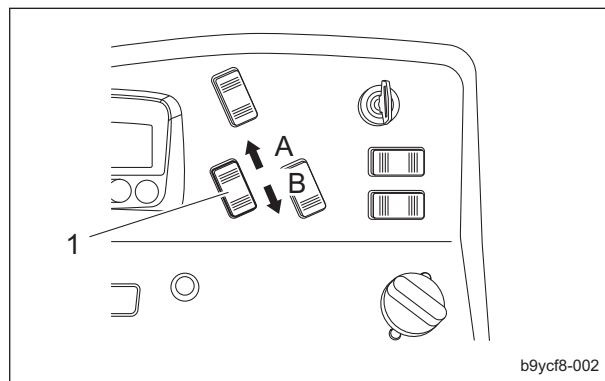
## Traction Assist Switch

The traction assist switch is located in the operation panel. Under the following conditions with the switch set to the "ON" position, the mode is automatically switched so that the power lifting the mower units and climbing ability are increased.

- 4WD operation
- Slope of about 13 degrees

**Important**

The cylinders are pressurized even with the switch set to the "OFF" position and so the mower units are a little raised.



b9ycf8-002

Traction Assist Switch\_001

1	Traction assist switch
A	ON
B	OFF

**Note:**

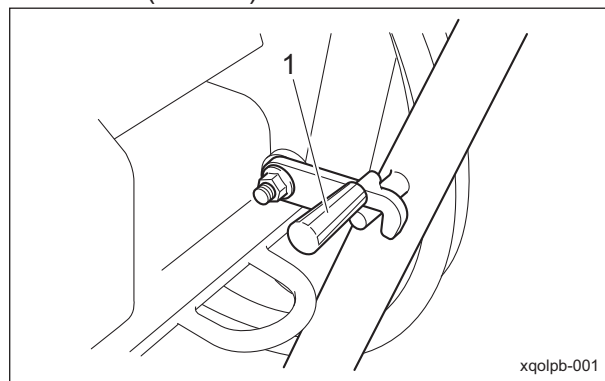
Tracking may be impaired if the machine is used with the switch set to the "ON" position in an area with many undulations.

## Mower Lock Lever (Latch)

**Caution**

When the mower lock levers (latches) are engaged, do not operate the mower unit up/down lever.

The mower lock levers (latches) are located in the foot area on the left and right sides and are used when storing the machine with mower units #4 and #5 raised. When storing the machine, hook the mower lock levers (latches) on the arms.



xqolpb-001

Mower Lock Lever (Latch)\_001

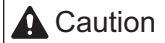
1	Mower lock lever (latch)
---	--------------------------

# Handling Instructions

## Mower Unit Up/Down Lever



Before raising or lowering the mower units, make sure that there are no people around the machine.

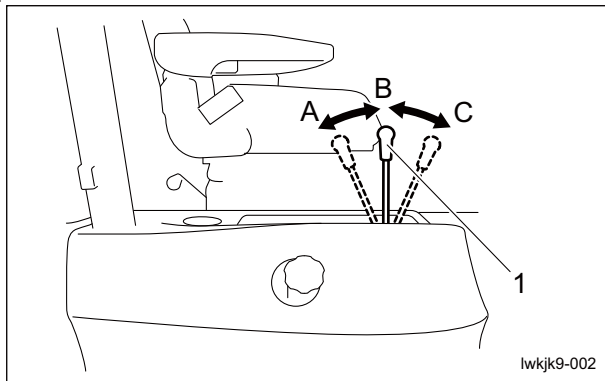


When the mower lock levers (latches) are engaged, do not operate the mower unit up/down lever.

The mower unit up/down lever is located in the operation panel and raises or lowers the mower units.

When the lever is shifted to the "DOWN" position, the mower units are lowered. When the lever is shifted to the "UP" position, the mower units are raised.

Release the lever to return it to the neutral position.



Mower Unit Up/Down Lever\_001

1	Mower unit up/down lever
A	UP
B	Neutral
C	DOWN

**Note:**

When the mower units are raised, the knives stop rotating, even if the knife rotation switch is set to the "ON" position.

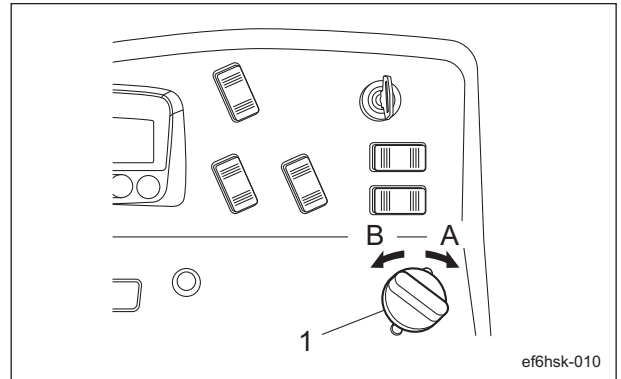
## Throttle Knob

The throttle knob is located to the right of the driver's seat and enables you to adjust the engine rpm.

Move the throttle knob toward the rabbit icon (high speed) to increase the engine rpm, and toward the turtle icon (low speed) to reduce the rpm.

**Note:**

The factory default engine rpm (maximum) is set to 2,600 rpm.



Throttle Knob\_001

1	Throttle knob
A	High speed
B	Low speed

# Handling Instructions

## Diff-Lock Switch

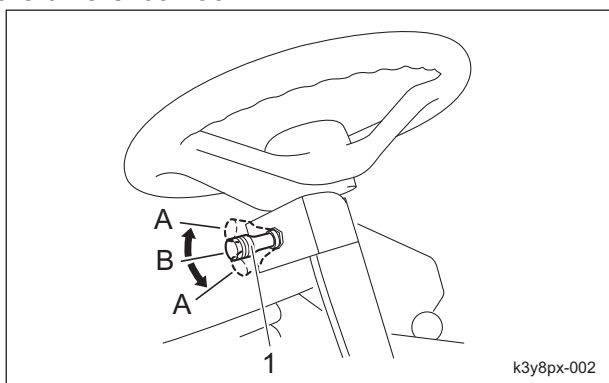
**⚠ Caution**

Do not operate the diff-lock switch unless it is necessary. It may result in the hydraulic system malfunction.

The diff-lock switch is located below the right side of the steering wheel and engages the differential lock for the left and right front wheels.

Tilt the switch lever up or down to turn "ON" to engage the differential lock for the front wheels.

Release the switch lever to return it to the neutral position ("OFF" position) and disengage the differential lock.



Diff-Lock Switch\_001

1	Diff-lock switch
A	ON
B	OFF

## Traveling Pedal

**⚠ Warning**

This machine is not authorized as a special motor vehicle. Do not drive it on public roads.

**⚠ Caution**

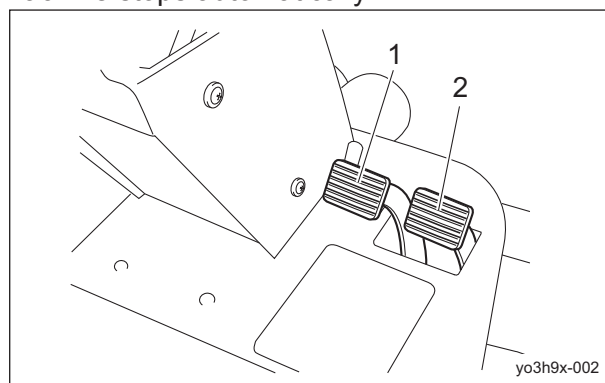
When the machine is traveling at a high speed, it will not stop immediately after you take your foot off the traveling pedal. If necessary, also use the brake.

The traveling pedals are located in the right foot area and control forward and reverse operation of the machine.

When the forward pedal (inside) is depressed, the machine travels forward. When the reverse pedal (outside) is depressed, the machine travels in reverse.

The speed changes in accordance with how much the pedal is depressed.

When you take your foot off the pedal, the machine stops automatically.



Traveling Pedal\_001

1	Forward pedal
2	Reverse pedal



# Handling Instructions

## Brake Pedal

**Warning**

Link the brake pedals, except when operating the machine.  
Using the brake pedals without linking them may result in the machine overturning.

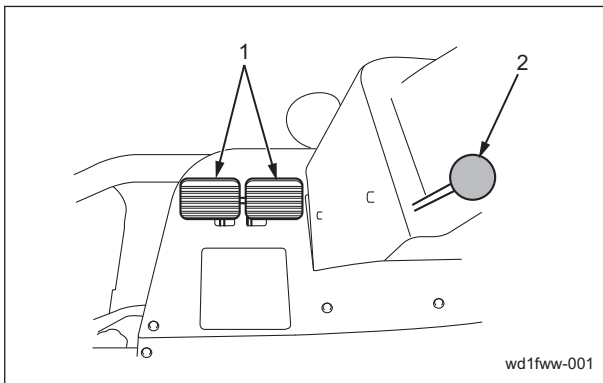
**Warning**

When depressing the brake pedals to make turns with a small radius, obtain a sufficient awareness of the lawn and ground conditions. This may damage the lawn.

The brake pedals are located in the left foot area and operate the left and right brakes independently.

By depressing the brake pedal on the side in which the turn will be made, the machine can make turns with a small radius.

If the front wheel on the upward side of a slope slips, depress the brake pedal for the wheel on the upward side in order to increase the traction of the wheel on the downward side and stabilize travel.



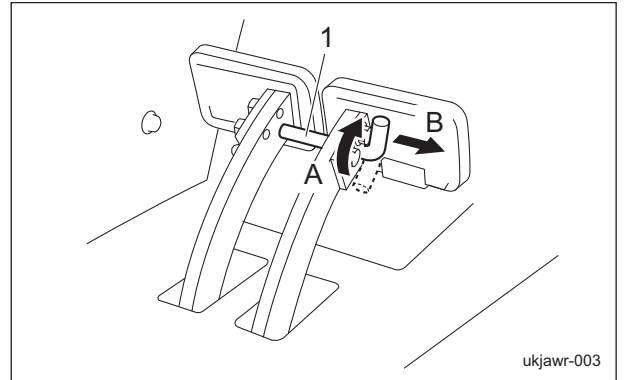
Brake Pedal\_001

1	Brake pedals
2	Parking brake lever

## Change of Braking Method

Follow the procedure below to change the braking method from linked to independent.

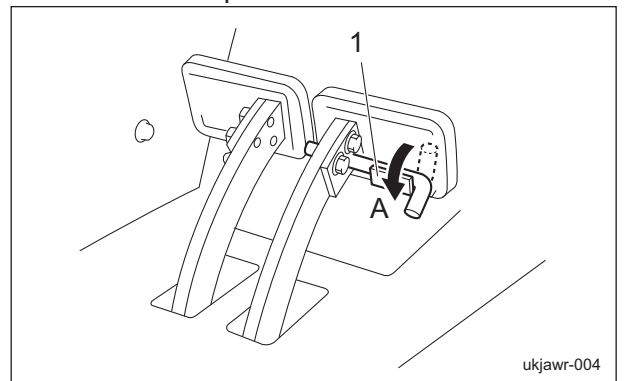
1. Swing up the pedal link bar, and then pull it out from the right brake pedal.



Change of Braking Method\_001

1	Pedal link bar
A	Swing up
B	Pull out

2. Secure the pedal link bar in the holder on the left brake pedal.



Change of Braking Method\_002

1	Holder
A	Secure

# Handling Instructions

## Parking Brake Lever

### ⚠ Caution

Be sure to release the parking brake before driving.  
It may result in the brakes or hydraulic system malfunction.

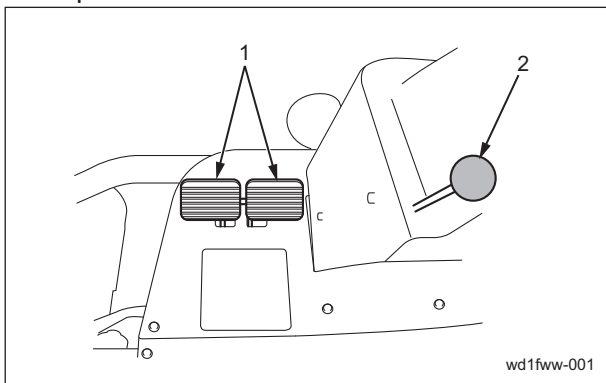
### ⚠ Caution

Never park the machine on a slope.

The parking brake lever is located to the left of the front cover.

When parking, link the left and right brake pedals by using the pedal link bar, depress both brake pedals, and then pull the parking brake lever completely.

To release the parking brake, depress the brake pedals.



Parking Brake Lever\_001

1	Brake pedals
2	Parking brake lever

## Hood

### ⚠ Caution

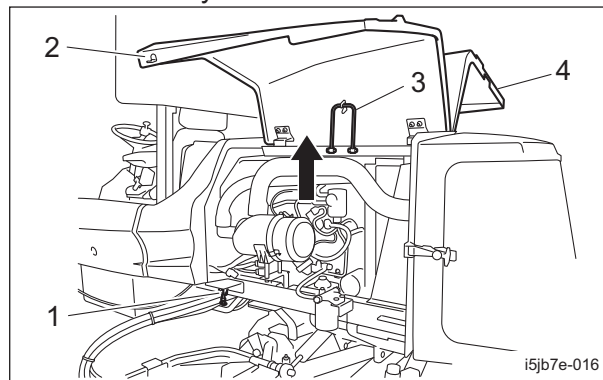
Do not open the hood in strong winds.

### ⚠ Caution

Be careful not to pinch your fingers when you open or close the hood.

1. Unlock the rubber catch, and then lift up the hood.

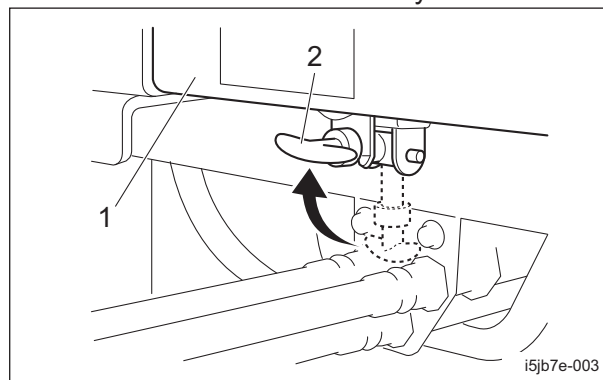
- Hook the hood support rod onto the latch inside the hood.  
Make sure that the hood will not close, and then remove your hands.



Hood\_001

1	Rubber catch
2	Left hood
3	Hood support rod
4	Right hood

- To close the hood, release the hood support rod from the latch, and then lower the hood slowly.
- Lock the rubber catch securely.



Hood\_002

1	Hood
2	Rubber catch

## Underseat Cover

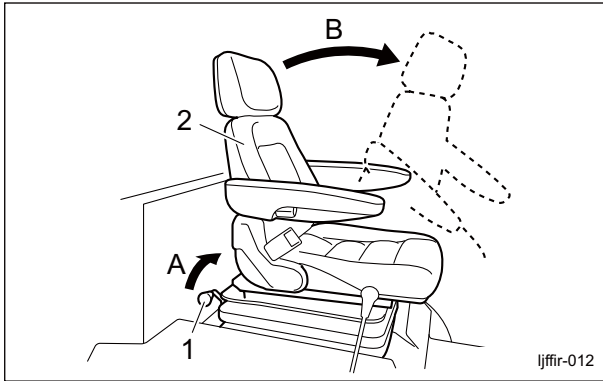
### ⚠ Caution

Be careful not to pinch your fingers when you open or close the underseat cover.

- Make sure that the steering wheel is raised completely.
- Bring the seat to the backmost position.

# Handling Instructions

3. Pull up the lever behind the seat to unlock it.



Underseat Cover\_001

1	Lever
2	Seat
A	Pull up
B	Tilt forward

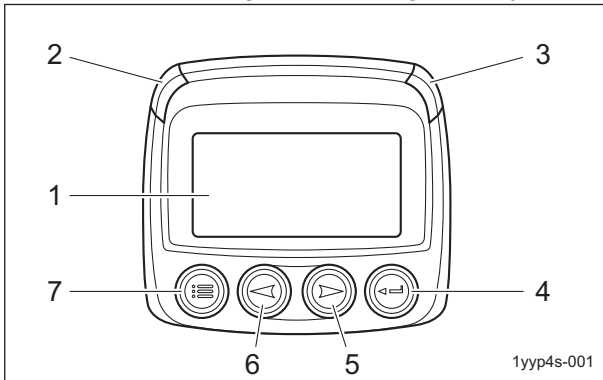
4. Tilt the seat forward to open the cover.  
To close the cover, slowly lower the seat.

## Instruments

### Description of Monitor

The monitor displays various information about the machine, such as the operating status and fault conditions.

The information of desired items can be confirmed according to operating the keys.



Description of Monitor\_001

1	Monitor display
2	LED (yellow)
3	LED (red)
4	Enter key
5	Right arrow key
6	Left arrow key
7	Menu key

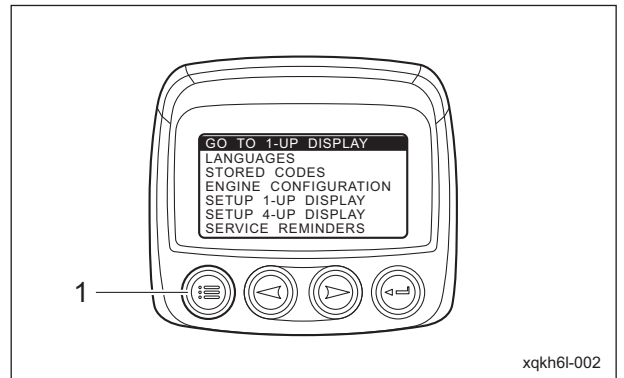
1. Monitor display  
Displays machine conditions and items.

- 2. LED (yellow)  
Lights up when a malfunction is detected, warning not to decrease or stop output.
- 3. LED (red)  
Lights up when a decreased/stopped output malfunction is detected.
- 4. Enter key  
Selects the menu or parameter.  
Switches between displaying/hiding the current fault code.
- 5. Right arrow key  
Scrolls the screen.  
Move the parameter selection to the right or down.
- 6. Left arrow key  
Scrolls the screen.  
Move the parameter selection to the left or up.
- 7. Menu key  
Opens or exits the menu.

### Main Menu Items

While any parameter is displayed, press the menu key to display the main menu with the following 11 items.

- GO TO 1-UP DISPLAY / GO TO 4-UP DISPLAY
- LANGUAGES
- STORED CODES
- ENGINE CONFIGURATION
- SETUP 1-UP DISPLAY
- SETUP 4-UP DISPLAY
- SERVICE REMINDERS
- SELECT UNITS
- ADJUST BACKLIGHT
- ADJUST CONTRAST
- UTILITIES



Main Menu Items\_001

1	Menu key
---	----------

# Handling Instructions

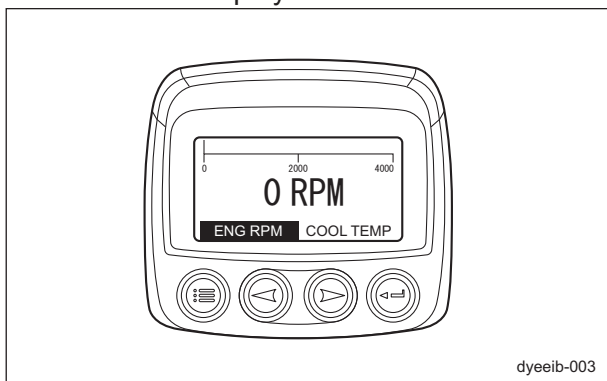
---

## 1-Up Display / 4-Up Display

"GO TO 1-UP DISPLAY" / "GO TO 4-UP DISPLAY" are used to set whether to display parameters individually in a screen or in groups of four per screen.

### 1. 1-up display

One parameter is displayed individually in the monitor display.

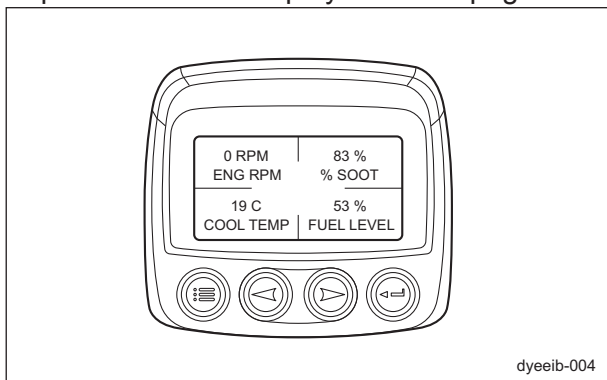


1-Up Display / 4-Up Display\_001

### 2. 4-up display

Four parameters are displayed in the monitor display.

With the 4-up display, a total of 8 parameters are displayed over 2 pages.



1-Up Display / 4-Up Display\_002

#### Note:

The factory default display is the 4-up display. "GO TO 1-UP DISPLAY" appears in the main menu.

When the 1-up display is set, "GO TO 4-UP DISPLAY" appears in the main menu.

# Handling Instructions

## ■Parameter Items

The parameters and corresponding information that appear in the monitor display are listed below.

No.	Monitor display L	Monitor display S	Description
1	ENGINE SPEED	ENG RPM	Displays the engine rpm.
2	DRIVERS DEMAND ENGINE TORQUE	DEMAND TQ	Displays the torque required by the ECU.
3	ACTUAL ENGINE TORQUE	ENG TORQ	Displays the actual torque.
4	PERCENT LOAD AT CURRENT RPM	LOAD@RPM	Displays the engine load factor.
5	ACCELERATOR PEDAL POSITION 1	ACCEL PED1	Displays the accelerator sensor opening.
6	ENGINE DESIRED OP SPEED	DES ENG SP	Displays the engine rpm required by the ECU.
7	ENGINE COOLANT TEMPERATURE	COOL TEMP	Displays the temperature measured by the coolant temperature sensor.
8	FUEL RATE	FUEL RATE	Displays the engine fuel consumption rate.
9	THROTTLE POSITION	THROTTLE	Displays the engine throttle opening.
10	BOOST PRESSURE	BST PRES	Displays the pressure measured by the intake pressure sensor.
11	INTAKE MANIFOLD TEMPERATURE	MANI TEMP	Displays the temperature measured by the intake temperature sensor built into the air flow sensor.
12	BATTERY POTENTIAL	BAT VOLT	Displays the battery voltage.
13	BAROMETRIC PRESSURE	BARO PRES	Displays the atmospheric pressure measured by the atmospheric pressure sensor.
14	AMBIENT AIR TEMP	AMB TEMP	Displays the ambient temperature.
15	AIR INLET TEMPERATURE	AIR IN TP	Displays the intake air temperature measured by the air flow sensor.
16	TOTAL FUEL USED	FUEL USED	Displays the total fuel consumption of the engine.
17	TOTAL ENGINE HOURS	ENG HRS	Displays the total time that the ECU is on (time that the key is in the "ON" position).
18	ENGINE OIL PRESSURE	OIL PRES	Displays the engine oil pressure measured by the oil pressure switch. While the engine is running: Normal=200 kPa, Abnormal=0 kPa
19	INJECTOR METERRING RAIL PRESS	RAIL PRES	Displays the fuel pressure in the rail, measured by the rail pressure sensor.
20	ENGINE INLET AIR MASS FLOW RATE	AIR RATE	Displays the intake air volume measured by the air flow sensor.
21	DOC INTAKE GAS TEMP	DOC TEMP	Displays the DOC inlet gas temperature measured by the exhaust temperature sensor.
22	EXHAUST FILTER INLET TEMP	EF IN T	Displays the DPF inlet gas temperature measured by the exhaust temperature sensor.
23	DPF DIFFERENCE PRESSURE	DIFF PRES	Displays the pressure difference before and after the DPF, measured by the differential pressure sensor.

# Handling Instructions

---

No.	Monitor display L	Monitor display S	Description
24	EXHAUST FILTER OUTLET TEMP	EF OUT T	Displays the DPF outlet gas temperature measured by the exhaust temperature sensor.
25	PARTICULATE TRAP LAMP	PT LAMP	Shows the status of the regeneration icon. Icon not displayed="OFF", Icon blinking="ON BLINK", Icon solid="ON SOLID"
26	DPF STATUS	DPF ST	Shows the status of the DPF. DPF regeneration not needed="REGEN NOT NEEDED" DPF regeneration needed=(Level 1="NEEDED LOWEST", Level 2-3="NEEDED MODERATE", Level 4="NEEDED HIGHEST")
27	DPF ACTIVE REGEN STATUS	DPF AR ST	Shows the DPF regeneration status. Regeneration not needed="INACTIVE", Regeneration needed="NEEDED", Regenerating="ACTIVE"
28	DPF REGEN INHIBIT STATUS	INHIBIT ST	Shows the ECU auto regeneration inhibited status. Auto regeneration inhibit switch off="OFF", Auto regeneration inhibit switch on="ON"
29	DPF REGENERATION INHIBITED SW	DPF INHIB SW	Shows the status of auto regeneration inhibit switch. Auto regeneration inhibit switch off="OFF", Auto regeneration inhibit switch on="ON"
30	EXHAUST HIGH TEMP LAMP	EXH T LAMP	Displays the condition of the exhaust temperature. 450 °C or more="ON", 450 °C or less="OFF"
31	%SOOT	%SOOT	Displays the amount of soot accumulated in the DPF.
32	MACHINE HOURS	MACH HRS	Displays the total operating time of the machine (time that the engine was actually running).
33	FUEL LEVEL	FUEL LEVEL	Displays the quantity of fuel remaining in the fuel tank.

**Note:**

When display settings are being specified, the parameters appear on "Monitor display L".  
At all other times, the parameters appear on "Monitor display S".

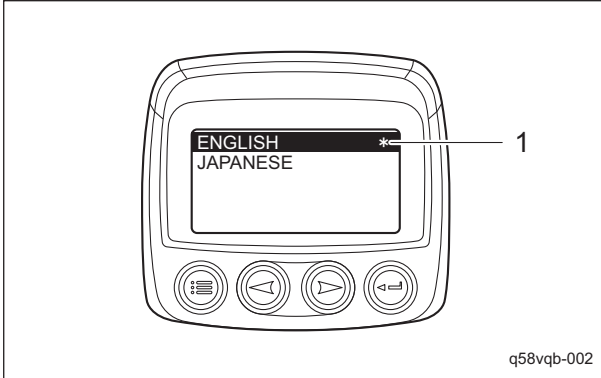
# Handling Instructions

## Language

With "LANGUAGES", the language used in the monitor display can be set to either of the following two.

- ENGLISH
- JAPANESE

An asterisk appears at the right of the currently selected language.



Language\_001

1	Asterisk
---	----------

### Note:

The factory default language is "ENGLISH".

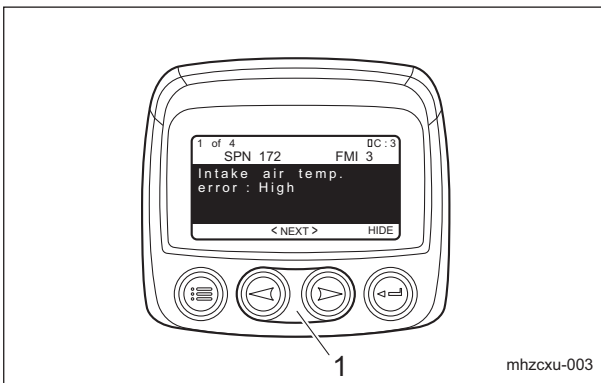
## Fault Code Log

With "STORED CODES", a log of past fault codes can be checked.

When there is a fault code log, each fault is displayed over two pages.

Use the arrow keys to change the page.

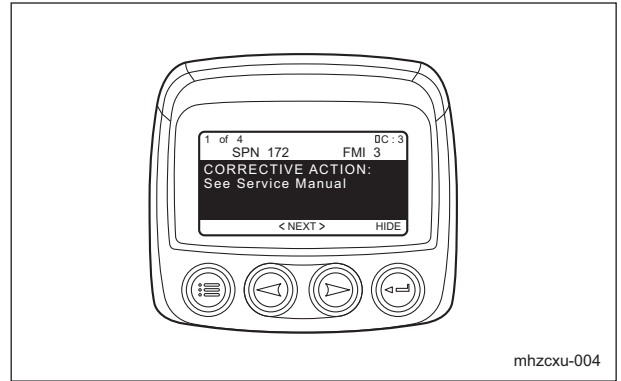
- Text 1



Fault Code Log\_001

1	Arrow keys
---	------------

- Text 2



Fault Code Log\_002

If there is no fault code log, "NO STORED FAULT CODES" appears.

# Handling Instructions

## ■List of Fault Codes

### Caution

When the fault code appears in the monitor display, refer to "Kubota DIAGNOSIS MANUAL COMMON RAIL SYSTEM" or contact your dealer.

The fault codes (DTC) and corresponding information that appear in the monitor display are listed below.

No.	DTC name Text 1	Corrective action Text 2	ISO 14229 P-Code	J1939-73		Detection item	Behavior during malfunction	DTC recovery from error
				SPN	FMI			
1	NE-G phase shift	See Service Manual	P0016	636	7	Large phase shift between NE pulse and G pulse	(Invalid G signal) Slow starting	Diagnostic counter=0
2	Pressure limiter emergency open	See Service Manual	P0087	633	7	Abnormal opening of pressure limiter valve	Insufficient output Deterioration of emission performance	Key switch to "OFF"
3	High rail pressure	See Service Manual	P0088	157	0	Actual pressure exceeds the command pressure (when a high pressure exceeding the operating pressure range is detected)	Insufficient output Deterioration of emission performance	Key switch to "OFF"
4	SCV (MPROP) Stuck	See Service Manual	P0089	1347	7	SCV stuck open (when the actual rail pressure is detected to always exceed the command rail pressure)	Insufficient output Deterioration of emission performance * Engine stopped	Key switch to "OFF"
5	Fuel Leak (in High Pressured Fuel System)	Stop ENG, See Service Manual	P0093	1239	1	Fuel leakage from high-pressure fuel system (when excessive fuel consumption is detected by calculating the difference in the rail pressure before and after fuel injection)	Insufficient output Deterioration of emission performance * Engine stopped	Key switch to "OFF"
6	Intake air temp. error : Low	See Service Manual	P0112	172	4	Ground short circuit of sensor/harness	Increase in white smoke at low temperatures	Diagnostic counter=0
7	Intake air temp. error : High	See Service Manual	P0113	172	3	Circuit interruption or +B short circuit of sensor/harness	Increase in white smoke at low temperatures	Diagnostic counter=0



# Handling Instructions

No.	DTC name Text 1	Corrective action Text 2	ISO 14229 P-Code	J1939-73		Detection item	Behavior during malfunction	DTC recovery from error
				SPN	FMI			
8	Coolant Temperature Sensor Abnormality : Low	See Service Manual	P0117	110	4	Ground short circuit of sensor/harness	Increase in white smoke at low temperatures Insufficient output Deterioration of emission performance	Key switch to "OFF"
9	Coolant Temperature Sensor Abnormality : High	See Service Manual	P0118	110	3	Circuit interruption or +B short circuit of sensor/harness	Increase in white smoke at low temperatures Insufficient output Deterioration of emission performance	Key switch to "OFF"
10	Rail Pressure Sensor Abnormality : Low	Stop ENG, See Service Manual	P0192	157	4	Ground short circuit of sensor/harness Sensor malfunction	Insufficient output Deterioration of emission performance Increase in noise Increase in white smoke Engine stops	Key switch to "OFF"
11	Rail Pressure Sensor Abnormality : High	Stop ENG, See Service Manual	P0193	157	3	Circuit interruption or +B short circuit of sensor/harness Sensor malfunction	Insufficient output Deterioration of emission performance Increase in noise Increase in white smoke Engine stops	Key switch to "OFF"
12	Injector Charge Voltage Abnormality : High	Stop ENG, See Service Manual	P0200	523535	0	Excessive injector charge voltage ECU charge circuit malfunction	Insufficient output Deterioration of emission performance Engine stops	Key switch to "OFF"
13	Open circuit of harness/coil in 1st cylinder injector	See Service Manual	P0201	651	3	Circuit interruption of harness Circuit interruption of injector coil	Insufficient output Increase in vibrations Deterioration of emission performance	Key switch to "OFF"
14	Open circuit of harness/coil in 3rd cylinder injector	See Service Manual	P0202	653	3	Circuit interruption of harness Circuit interruption of injector coil	Insufficient output Increase in vibrations Deterioration of emission performance	Key switch to "OFF"

# Handling Instructions

No.	DTC name Text 1	Corrective action Text 2	ISO 14229 P-Code	J1939-73		Detection item	Behavior during malfunction	DTC recovery from error
				SPN	FMI			
15	Open circuit of harness/coil in 4th cylinder injector	See Service Manual	P0203	654	3	Circuit interruption of harness Circuit interruption of injector coil	Insufficient output Increase in vibrations Deterioration of emission performance	Key switch to "OFF"
16	Open circuit of harness/coil in 2nd cylinder injector	See Service Manual	P0204	652	3	Circuit interruption of harness Circuit interruption of injector coil	Insufficient output Increase in vibrations Deterioration of emission performance	Key switch to "OFF"
17	Engine overheat	Stop mowing!!	P0217	110	0	Abnormally high temperature of engine coolant	Insufficient output Overheating	Diagnostic counter=0
18	Engine overrun	See Service Manual	P0219	190	0	Engine rpm exceeds specified value	Overrunning	Diagnostic counter=0
19	Boost Pressure Sensor Abnormality: Low	See Service Manual	P0237	102	4	Ground short circuit of sensor/harness Sensor malfunction	Insufficient output	Key switch to "OFF"
20	Boost Pressure Sensor Abnormality: High	See Service Manual	P0238	102	3	Circuit interruption or +B short circuit of sensor/harness Sensor malfunction	Insufficient output	Key switch to "OFF"
21	No input of NE sensor pulse	See Service Manual	P0335	636	8	Circuit interruption or short circuit of sensor/ harness Sensor malfunction	(Running only with G) Poor starting Slight increase in vibrations Insufficient output	Key switch to "OFF"
22	NE sensor pulse number error	See Service Manual	P0336	636	2	Circuit interruption or short circuit of sensor/ harness Sensor malfunction	(Running only with G) Poor starting Slight increase in vibrations Insufficient output	Key switch to "OFF"
23	No input of G sensor pulse	See Service Manual	P0340	723	8	Circuit interruption or short circuit of sensor/ harness Sensor malfunction	(Invalid G signal) Slow starting	Diagnostic counter=0
24	G sensor pulse number error	See Service Manual	P0341	723	2	Circuit interruption or short circuit of sensor/ harness Sensor malfunction	(Invalid G signal) Slow starting	Diagnostic counter=0

# Handling Instructions

No.	DTC name Text 1	Corrective action Text 2	ISO 14229 P-Code	J1939-73		Detection item	Behavior during malfunction	DTC recovery from error
				SPN	FMI			
25	Open circuit of glow relay driving circuit	See Service Manual	P0380	676	5	Interruption of glow drive circuit	(At low temperatures) Poor starting Increase in white smoke	Key switch to "OFF"
26	+B short of glow relay driving circuit	See Service Manual	P0380	523544	3	+B short circuit in glow drive circuit	(At low temperatures) Poor starting Increase in white smoke	Key switch to "OFF"
27	Ground short of glow relay driving circuit	See Service Manual	P0380	523544	4	GND short circuit in glow drive circuit	(At low temperatures) Poor starting Increase in white smoke	Key switch to "OFF"
28	Glow Heater Relay Driving Circuit Overheat	See Service Manual	P0381	676	0	Abnormally high temperature of glow drive circuit	(At low temperatures) Poor starting Increase in white smoke	Key switch to "OFF"
29	Oil pressure error	Stop ENG, See Service Manual	P0524	100	1	Oil pressure drop switch activated	Engine stops	Key switch to "OFF"
30	Battery Voltage Abnormality: Low	Stop ENG, See Service Manual	P0562	168	4	Circuit interruption, short circuit or damage of harness Battery malfunction	Poor starting Insufficient output Deterioration of emission performance * Engine stopped	Diagnostic counter=0
31	Battery Voltage Abnormality: High	See Service Manual	P0563	168	3	Circuit interruption, short circuit or damage of harness Battery malfunction	Poor starting Insufficient output Deterioration of emission performance	Key switch to "OFF"
32	QR (IQA) Data Error	Contact dealer	P0602	523538	2	Abnormal QR code correction data	Insufficient output	Diagnostic counter=0
33	No QR (IQA) Data	Contact dealer	P0602	523538	7	QR code correction data unwritten	Insufficient output	Diagnostic counter=0
34	ECU Flash-ROM Error	Stop ENG, See Service Manual	P0605	628	2	Incorrect change in internal flash ROM observed	Engine stops	Key switch to "OFF"
35	ECU CPU (Main IC) Error	Stop ENG, See Service Manual	P0606	1077	2	CPU malfunction or IC malfunction	Engine stops	Key switch to "OFF"
36	ECU CPU (Monitoring IC) Error	Stop ENG, See Service Manual	P0606	523527	2	Malfunction of IC for monitoring CPU	Engine stops	Key switch to "OFF"

# Handling Instructions

No.	DTC name Text 1	Corrective action Text 2	ISO 14229 P-Code	J1939-73		Detection item	Behavior during malfunction	DTC recovery from error
				SPN	FMI			
37	Injector Charge Voltage Abnormality: Low	Stop ENG, See Service Manual	P0611	523525	1	Insufficient injector charge voltage ECU charge circuit malfunction	Insufficient output Deterioration of emission performance * Engine stopped	Key switch to "OFF"
38	Open Circuit of SCV	Stop ENG, See Service Manual	P0627	1347	5	Circuit interruption of SCV (MPROP)	Insufficient output Deterioration of emission performance	Key switch to "OFF"
39	SCV (MPROP) Drive System Error	Stop ENG, See Service Manual	P0628	1347	4	Ground short circuit of SCV (MPROP)	Insufficient output Deterioration of emission performance Engine stops	Key switch to "OFF"
40	+B Short Circuit of SCV(MPROP)	Stop ENG, See Service Manual	P0629	1347	3	+B short circuit of SCV (MPROP)	Insufficient output Deterioration of emission performance * Engine stopped	Key switch to "OFF"
41	Injector Abnormality	Stop ENG, See Service Manual	P062B	1077	12	Injector drive IC malfunction, full disconnection of COM1TWV drive system, or full disconnection of COM2TWV drive system	Engine stops	Key switch to "OFF"
42	Internal injector drive circuit short	See Service Manual	P062D	523605	6	Short circuit of injector drive IC	Insufficient output Increase in vibrations Deterioration of emission performance * Engine stopped	Key switch to "OFF"
43	Sensor Supply Voltage 1 Abnormality: Low	See Service Manual	P0642	3509	4	Sensor supply voltage 1 error or recognition error	Poor starting Insufficient output Deterioration of emission performance * Engine stopped	Key switch to "OFF"
44	Sensor Supply Voltage 1 Abnormality: High	See Service Manual	P0643	3509	3	Sensor supply voltage 1 error or recognition error	Poor starting Insufficient output Deterioration of emission performance * Engine stopped	Key switch to "OFF"

# Handling Instructions

No.	DTC name Text 1	Corrective action Text 2	ISO 14229 P-Code	J1939-73		Detection item	Behavior during malfunction	DTC recovery from error
				SPN	FMI			
45	Sensor Supply Voltage 2 Abnormality: Low	See Service Manual	P0652	3510	4	Sensor supply voltage 2 error or recognition error	Poor starting Insufficient output Deterioration of emission performance	Key switch to "OFF"
46	Sensor Supply Voltage 2 Abnormality: High	See Service Manual	P0653	3510	3	Sensor supply voltage 2 error or recognition error	Poor starting Insufficient output Deterioration of emission performance	Key switch to "OFF"
47	Sensor Supply Voltage 3 Abnormality: Low	See Service Manual	P0662	3511	4	Sensor supply voltage 3 error or recognition error	Poor starting	Key switch to "OFF"
48	Sensor Supply Voltage 3 Abnormality: High	See Service Manual	P0662	3511	3	Sensor supply voltage 3 error or recognition error	Poor starting	Key switch to "OFF"
49	Main relay is locked in closed position	See Service Manual	P0687	1485	2	Main relay malfunction	Battery discharged	Key switch to "OFF"
50	Gnd Short Circuit of Start Relay Driving Circuit	See Service Manual	P081A	677	4	Ground short circuit of starter relay drive circuit		Key switch to "OFF"
51	Accelerator Position Sensor 1 Abnormality: Low	See Service Manual	P2122	91	4	Circuit interruption or ground short circuit of sensor/harness	Insufficient output	Diagnostic counter=0
52	Accelerator Position Sensor 1 Abnormality: High	See Service Manual	P2123	91	3	Power supply short circuit of sensor/ harness	Insufficient output	Diagnostic counter=0
53	Accelerator Position Sensor 2 Abnormality: Low	See Service Manual	P2127	29	4	Circuit interruption or ground short circuit of sensor/harness	Insufficient output	Diagnostic counter=0
54	Accelerator Position Sensor 2 Abnormality: High	See Service Manual	P2128	29	3	Power supply short circuit of sensor/ harness	Insufficient output	Diagnostic counter=0
55	Accelerator Position Sensor Error (CAN)	See Service Manual	P2131	523543	2	Abnormal message received from machine	Insufficient output	Diagnostic counter=0 (Immediate recovery after normal recovery of CAN signal)
56	No.1 & 4 cylinder injector short to +B	Stop ENG, See Service Manual	P2148	523523	3	+B short circuit or GND short circuit of harness	Insufficient output Increase in vibrations Deterioration of emission performance * Engine stopped	Key switch to "OFF"

# Handling Instructions

No.	DTC name Text 1	Corrective action Text 2	ISO 14229 P-Code	J1939-73		Detection item	Behavior during malfunction	DTC recovery from error
				SPN	FMI			
57	No.2 & 3 cylinder injector short to +B	Stop ENG, See Service Manual	P2151	523524	3	+B short circuit or GND short circuit of harness	Insufficient output Increase in vibrations Deterioration of emission performance * Engine stopped	Key switch to "OFF"
58	Barometric Pressure Sensor Error: Low	See Service Manual	P2228	108	4	Ground short circuit of sensor/internal ECU circuit	Insufficient output	Diagnostic counter=0
59	Barometric Pressure Sensor Error: High	See Service Manual	P2229	108	3	+B short circuit of sensor/internal ECU circuit	Insufficient output	Diagnostic counter=0
60	Pressure limiter not open	Stop ENG, See Service Manual	P2293	679	7	Stuck P/L valve P/L valve cannot open (with low engine output)	Engine stops	Key switch to "OFF"
61	Rail Pressure Sensor Abnormality After P/L Open	Stop ENG, See Service Manual	P2293	679	16	Rail pressure too high or too low after P/L valve opened	Engine stops	Key switch to "OFF"
62	CAN1 Bus off	See Service Manual	U0077	523604	2	CAN1 +B/GND short circuit or high traffic malfunction	Insufficient output * Transmission data NG	Key switch to "OFF"
63	CAN2 Bus off	See Service Manual	U0075	523547	2	CAN2 +B/GND short circuit or high traffic malfunction	Insufficient output * Transmission data NG	Key switch to "OFF"
64	CAN-KBT Frame error	See Service Manual	U0081	523548	2	Circuit interruption of CAN_KBT original frame	Insufficient output	Key switch to "OFF"
65	Intake air temp. built-in MAF sensor abnormality: Low	See Service Manual	P0072	171	4	Ground short circuit of sensor/harness	-	Diagnostic counter=0
66	Intake air temp. built-in MAF sensor abnormality: High	See Service Manual	P0073	171	3	Circuit interruption of sensor/harness +B short circuit of sensor/harness	-	Diagnostic counter=0
67	Intake Air Volume: Low	See Service Manual	P0101	132	1	Insufficient intake (turbocharger IN hose disconnected)	Insufficient output	Key switch to "OFF"
68	MAF Sensor Abnormality: Low	See Service Manual	P0102	132	4	Circuit interruption of sensor/harness Ground short circuit of sensor/harness	Insufficient output Deterioration of emission performance	Key switch to "OFF"

# Handling Instructions

No.	DTC name Text 1	Corrective action Text 2	ISO 14229 P-Code	J1939-73		Detection item	Behavior during malfunction	DTC recovery from error
				SPN	FMI			
69	MAF Sensor Abnormality: High	See Service Manual	P0103	132	3	+B short circuit of sensor/harness	Insufficient output Deterioration of emission performance	Key switch to "OFF"
70	EGR actuator open circuit	See Service Manual	P0403	523574	3	Circuit interruption of EGR motor coil	Insufficient output Deterioration of emission performance	Key switch to "OFF"
71	EGR actuator coil short	See Service Manual	P0404	523574	4	Short circuit of EGR coil	Insufficient output Deterioration of emission performance	Key switch to "OFF"
72	EGR position sensor failure	See Service Manual	P0409	523572	4	EGR position sensor malfunction	Insufficient output Deterioration of emission performance	Key switch to "OFF"
73	Exhaust gas temp. sensor 1 (T1) abnormality: Low	See Service Manual	P0543	3242	4	Ground short circuit of sensor/harness	None	Key switch to "OFF"
74	Exhaust gas temp. sensor 1 (T1) abnormality: High	See Service Manual	P0544	3242	3	Circuit interruption of sensor/harness +B short circuit of sensor/harness	None	Key switch to "OFF"
75	Exhaust Gas Temp. Sensor 0 (T0) Abnormality: Low	See Service Manual	P0546	4765	4	Ground short circuit of sensor/harness	None	Key switch to "OFF"
76	Exhaust Gas Temp. Sensor 0 (T0) Abnormality: High	See Service Manual	P0547	4765	3	Circuit interruption of sensor/harness +B short circuit of sensor/harness	None	Key switch to "OFF"
77	EEPROM check sum error	See Service Manual	P1990	523700	13	KBT EEPROM Checksum discrepancy	None	Key switch to "OFF"
78	Intake throttle feedback error	See Service Manual	P2108	523580	2	Abnormal feedback of intake throttle DC motor	None	Key switch to "OFF"
79	Accelerator position sensor correlation error	See Service Manual	P2135	91	2	Excessive discrepancy in output of two sensors	Insufficient output	Diagnostic counter=0
80	EGR actuator valve stuck	See Service Manual	P2413	523575	7	Stuck EGR valve	Insufficient output Deterioration of emission performance	Key switch to "OFF"

# Handling Instructions

No.	DTC name Text 1	Corrective action Text 2	ISO 14229 P-Code	J1939-73		Detection item	Behavior during malfunction	DTC recovery from error
				SPN	FMI			
81	EGR (DC motor) Overheat	See Service Manual	P2414	523576	2	Abnormally high temperature of EGR motor	Insufficient output Deterioration of emission performance	Key switch to "OFF"
82	EGR (DC motor) temp. sensor failure	See Service Manual	P2415	523577	2	Malfunction of EGR motor temperature sensor	Insufficient output Deterioration of emission performance	Key switch to "OFF"
83	Exhaust Gas Temp. Sensor 2 (T2) Abnormality: Low	See Service Manual	P242C	3246	4	Ground short circuit of sensor/harness	None	Key switch to "OFF"
84	Exhaust Gas Temp. Sensor 2 (T2) Abnormality: High	See Service Manual	P242D	3246	3	Circuit interruption of sensor/harness +B short circuit of sensor/harness	None	Key switch to "OFF"
85	Differential Pressure Sensor 1 Abnormality: Low	See Service Manual	P2454	3251	4	Ground short circuit of sensor/harness	None	Key switch to "OFF"
86	Differential Pressure Sensor 1 Abnormality: High	See Service Manual	P2455	3251	3	Circuit interruption of sensor/harness +B short circuit of sensor/harness	None	Key switch to "OFF"
87	Intake Throttle Lift Sensor Abnormality: Low	See Service Manual	P2621	523582	4	Intake throttle lift sensor low	None	Key switch to "OFF"
88	Intake Throttle Lift Sensor Abnormality: High	See Service Manual	P2622	523582	3	Intake throttle lift sensor high	None	Key switch to "OFF"
89	Emission deterioration	See Service Manual	P3001	3252	0	Abnormally high DOC temperature due to uncombusted fuel	Insufficient output	Key switch to "OFF"
90	Exhaust Gas Tempe. Sensor 0 Emergency High	Stop ENG, See Service Manual	P3002	4765	0	Abnormally high DOC inlet temperature (T0)	Engine stops * Cannot start until 300 °C or less	Exhaust temperature sensor is 300 °C or less and key switch to "OFF"
91	Exhaust Gas Tempe. Sensor 1 Emergency High	Stop ENG, See Service Manual	P3003	3242	0	Abnormally high DPF inlet temperature (T1)	Engine stops * Cannot start until 300 °C or less	Exhaust temperature sensor is 300 °C or less and key switch to "OFF"
92	Exhaust Gas Tempe. Sensor 2 Emergency High	Stop ENG, See Service Manual	P3004	3246	0	Abnormally high DPF outlet temperature (T2)	Engine stops * Cannot start until 300 °C or less	Exhaust temperature sensor is 300 °C or less and key switch to "OFF"



# Handling Instructions

No.	DTC name Text 1	Corrective action Text 2	ISO 14229 P-Code	J1939-73		Detection item	Behavior during malfunction	DTC recovery from error
				SPN	FMI			
93	Excessive PM3	Start DPF Parked Regeneration immediately	P3006	3701	15	Excessive accumulation of PM (estimate)-Level 3	Insufficient output	Diagnostic counter=0
94	Excessive PM4	Stop engine!! Contact dealer immediately	P3007	3701	16	Excessive accumulation of PM (estimate)-Level 4	Insufficient output	Diagnostic counter=0
95	Excessive PM5	Stop engine!! Contact dealer immediately	P3008	3701	0	Excessive accumulation of PM (estimate)-Level 5	Insufficient output	Key switch to "OFF" (Reset by service tool)
96	Boost pressure low	See Service Manual	P3011	132	15	Hose disconnected between turboblower OUT and intake flange  Boost pressure sensor malfunction	Insufficient output	Key switch to "OFF"
97	Low Coolant Temp. in Parked Regeneration	See Service Manual	P3012	523589	17	Engine warm-up conditions not met during regeneration (insufficient coolant temperature increase)	None	Diagnostic counter=0 (Press manual regeneration button again.)
98	Parked regeneration time out	See Service Manual	P3013	523590	16	Regeneration does not end without an increase in DPF temperature	None	Diagnostic counter=0 (Press manual regeneration button again.)
99	All Exhaust Gas Temp. Sensor Failure	See Service Manual	P3018	523599	0	Simultaneous circuit interruption of all exhaust temperature sensors	None	Diagnostic counter=0
100	High Exhaust Gas Temperature After Emergency High Temp. DTC	Stop ENG, See Service Manual	P3023	523601	0	Exhaust temperature when a high exhaust temperature malfunction occurred	None Engine stops	Diagnostic counter=0
101	High frequency of regeneration	See Service Manual	P3024	523602	0	Abnormal interval from the end of regeneration until the next regeneration is triggered	Deterioration of emission performance * NOx increase	Key switch to "OFF" (Reset by service tool)
102	Over heat pre- caution	Stop mowing!!	P3025	523603	15	Coolant temperature	Deterioration of emission performance	Diagnostic counter=0
103	No communication with EGR	See Service Manual	U0076	523578	2	Interruption of communication between EGR and CAN	Insufficient output  Deterioration of emission performance	Key switch to "OFF"
104	CAN CCVS frame error	See Service Manual	U0082	523591	2	Interruption of communication	None	Key switch to "OFF"

# Handling Instructions

No.	DTC name Text 1	Corrective action Text 2	ISO 14229 P-Code	J1939-73		Detection item	Behavior during malfunction	DTC recovery from error
				SPN	FMI			
104	CAN CCVS frame error	See Service Manual	U0082	523591	2	between CAN and CCVS	None	Key switch to "OFF"
105	CAN CM1 frame error	See Service Manual	U0083	523592	2	Interruption of communication between CAN and CM1	None	Key switch to "OFF"
106	CAN ETC5 frame error	See Service Manual	U0086	523595	2	Interruption of communication between CAN and ETC5	None	Key switch to "OFF"
107	CAN TSC1 frame error	See Service Manual	U0087	523596	2	Abnormal interruption of communication between CAN and TSC1	None	Diagnostic counter=0
108	CAN EBC1 frame error	See Service Manual	U0089	523598	2	Abnormal interruption of communication between CAN and EBC1	None	Diagnostic counter=0
109	FUEL LEVEL LOW	Refuel		96	17	Remaining fuel volume at specified value or less (factory default setting=10%) Can be adjusted between 10% and 80%	None	Supply fuel until remaining fuel volume reaches the specified value or above

# Handling Instructions

## Engine Configuration

This function is not supported.

## 1-Up Display Setup

With "SETUP 1-UP DISPLAY", the displayed parameters can be reset to the factory defaults, or the necessary parameters to be displayed can be selected.

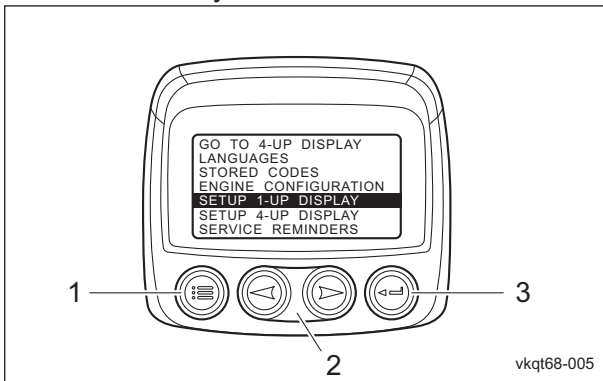
The following 3 items appear when "SETUP 1-UP DISPLAY" is selected.

- USE DEFAULTS
- CUSTOM SETUP
- AUTOMATIC SCAN

### ■Use Defaults

With "USE DEFAULTS", the 1-up display parameters return to the factory defaults.

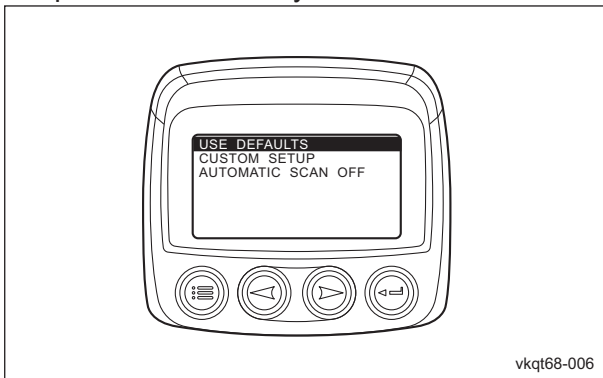
1. Press the menu key. After the main menu appears, use the arrow keys to highlight "SETUP 1-UP DISPLAY", and then press the Enter key.



Use Defaults\_001

1	Menu key
2	Arrow keys
3	Enter key

2. Highlight "USE DEFAULTS", and then press the Enter key.



Use Defaults\_002

3. "RESTORED TO DEFAULTS" appears in the monitor display, and the parameters are reset to the factory defaults of the following 8 items.

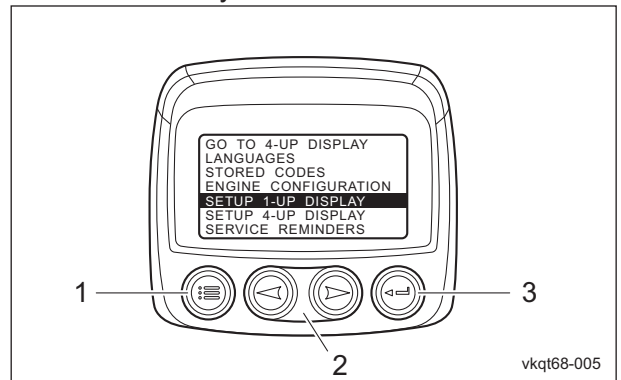
- [1] ENGINE SPEED
- [2] ENGINE COOLANT TEMPERATURE
- [3] %SOOT
- [4] FUEL LEVEL
- [5] ENGINE OIL PRESSURE
- [6] MACHINE HOURS
- [7] BATTERY POTENTIAL
- [8] DPF STATUS

4. After the settings have been applied, pressing the menu key once returns to the main menu, and pressing the key again returns to the 1-up/4-up display screen.

### ■Custom Setup

With "CUSTOM SETUP", the type and number of parameters as well as their display order can be specified.

1. Press the menu key. After the main menu appears, use the arrow keys to highlight "SETUP 1-UP DISPLAY", and then press the Enter key.

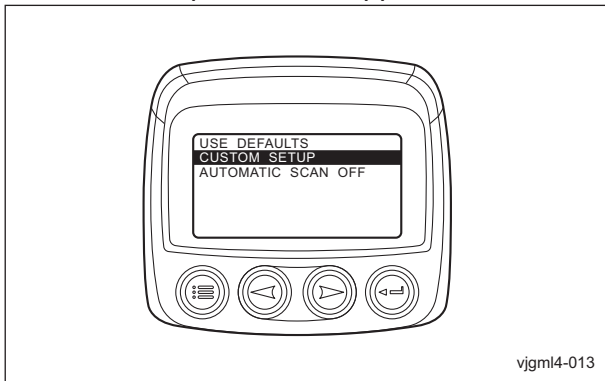


Custom Setup\_001

1	Menu key
2	Arrow keys
3	Enter key

# Handling Instructions

2. Highlight "CUSTOM SETUP", and then press the Enter key.  
The list of parameters appears.



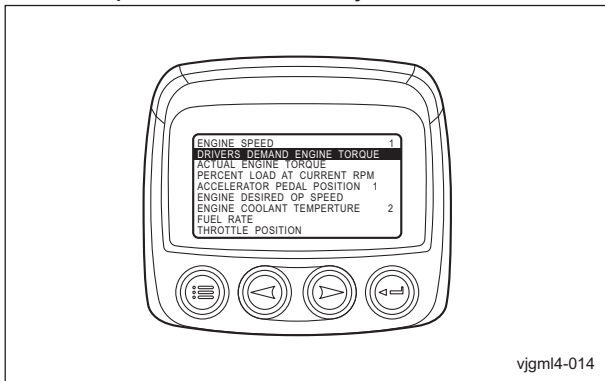
vjgml4-013

Custom Setup\_002

3. Change the parameters.

[1] To add a parameter

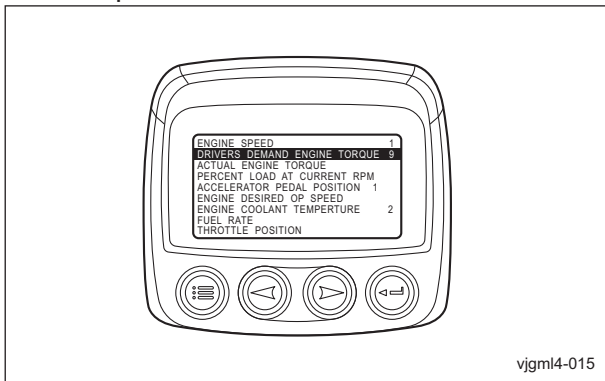
- a. Use the arrow keys to highlight the parameter to be added, and then press the Enter key.



vjgml4-014

Custom Setup\_003

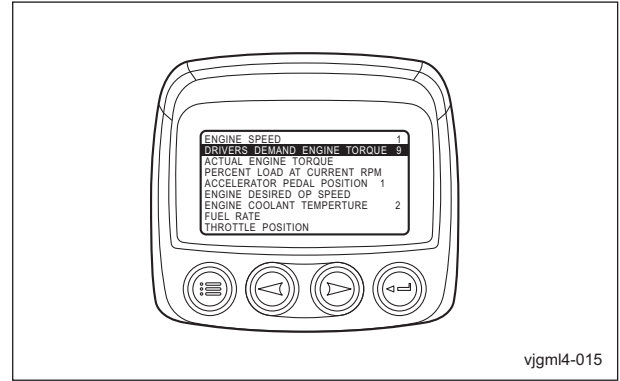
- b. A number appears at the right of the selected parameter. This number indicates the display order for the parameter



vjgml4-015

Custom Setup\_004

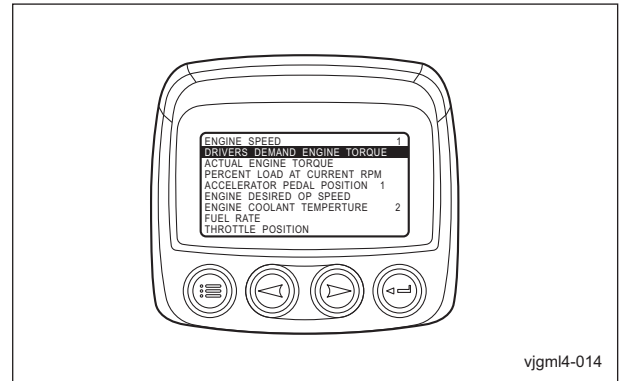
- [2] To deselect a parameter and remove it from the list of displayed parameters
- a. Highlight the parameter, and then press the Enter key.



vjgml4-015

Custom Setup\_005

- b. Check that the number at the right of the parameter disappeared.



vjgml4-014

Custom Setup\_006

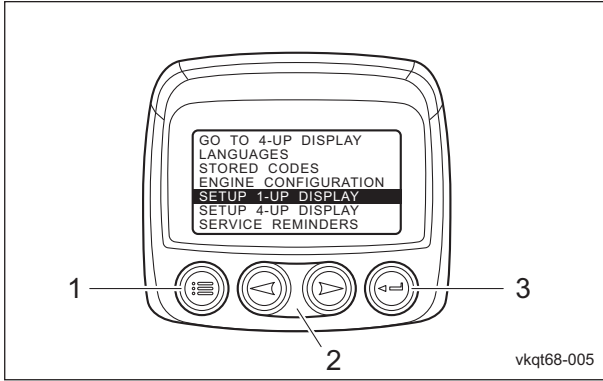
4. After the settings have been applied, pressing the menu key once returns to the main menu, and pressing the key again returns to the 1-up/4-up display screen.

# Handling Instructions

## Automatic Scan

With "AUTOMATIC SCAN", the 1-up display can be set to automatically scroll through the selected parameters one by one.

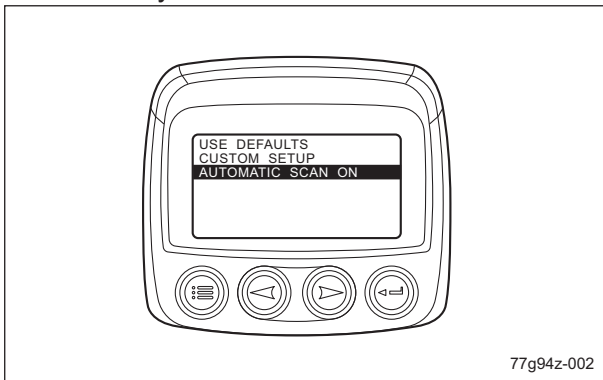
1. Press the menu key.  
After the main menu appears, use the arrow keys to highlight "SETUP 1-UP DISPLAY", and then press the Enter key.



Automatic Scan\_001

1	Menu key
2	Arrow keys
3	Enter key

2. When "AUTOMATIC SCAN ON" appears, the parameters are scrolled automatically. For manual scrolling, highlight "AUTOMATIC SCAN ON", and then press the Enter key. It turns into "AUTOMATIC SCAN OFF" and the parameters will be scrolled manually.



Automatic Scan\_002

3. After the settings have been applied, pressing the menu key once returns to the main menu, and pressing the key again returns to the 1-up/4-up display screen.

### Note:

When the parameters are scrolled automatically, press the Enter key once to pause scrolling.

When scrolling is paused, press the Enter key once to restart scrolling.

## 4-Up Display Setup

With "SETUP 4-UP DISPLAY", the displayed parameters can be reset to the factory defaults, or the monitor display of selected, necessary parameters can be set up.

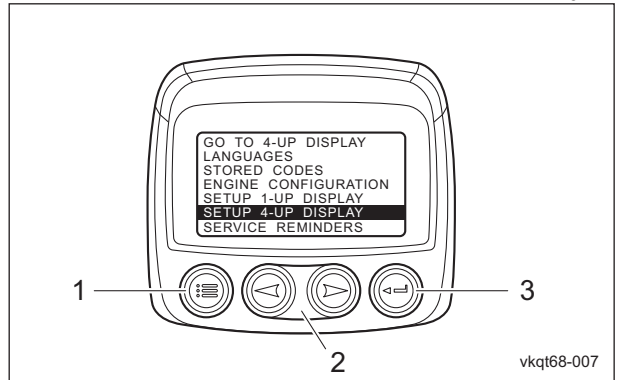
The following 2 items appear when "SETUP 4-UP DISPLAY" is selected.

- USE DEFAULTS
- CUSTOM SETUP

## Use Defaults

With "USE DEFAULTS", the 4-up display parameters return to the factory defaults.

1. Press the menu key.  
After the main menu appears, use the arrow keys to highlight "SETUP 4-UP DISPLAY", and then press the Enter key.



Use Defaults\_001

1	Menu key
2	Arrow keys
3	Enter key

# Handling Instructions

2. Highlight "USE DEFAULTS", and then press the Enter key.



Use Defaults\_002

3. "RESTORED TO DEFAULTS" appears in the monitor display, and the parameters are reset to the factory defaults of the following 8 items.

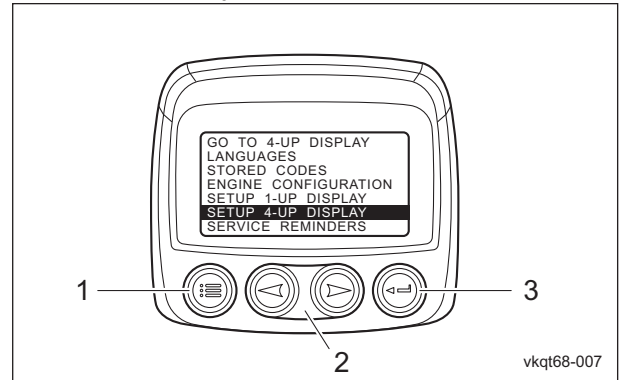
- First page
  - [1] ENGINE SPEED
  - [2] ENGINE COOLANT TEMPERATURE
  - [3] %SOOT
  - [4] FUEL LEVEL
- Second page
  - [1] ENGINE OIL PRESSURE
  - [2] MACHINE HOURS
  - [3] BATTERY POTENTIAL
  - [4] DPF STATUS

4. After the settings have been applied, pressing the menu key once returns to the main menu, and pressing the key again returns to the 1-up/4-up display screen.

## ■ Custom Setup

With "CUSTOM SETUP", the type and number of parameters as well as their display order can be specified.

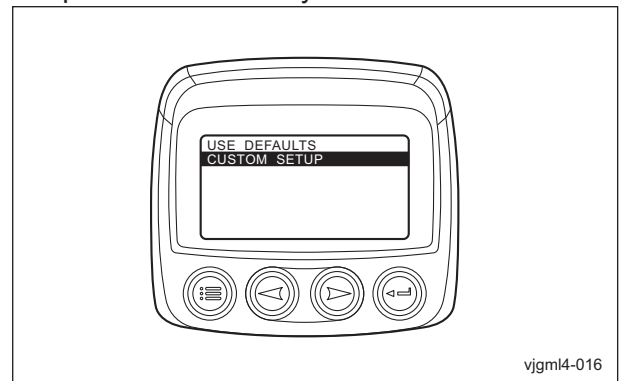
1. Press the menu key. After the main menu appears, use the arrow keys to highlight "SETUP 4-UP DISPLAY", and then press the Enter key.



Custom Setup\_001

1	Menu key
2	Arrow keys
3	Enter key

2. Highlight "CUSTOM SETUP", and then press the Enter key.

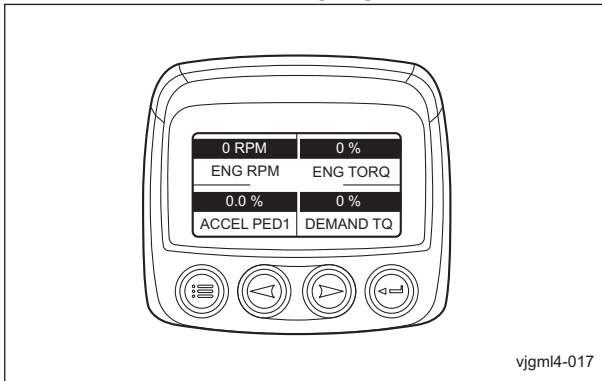


Custom Setup\_002

# Handling Instructions

### 3. Select the page.

[1] Check that the values for the four parameters are highlighted.



vjgm14-017

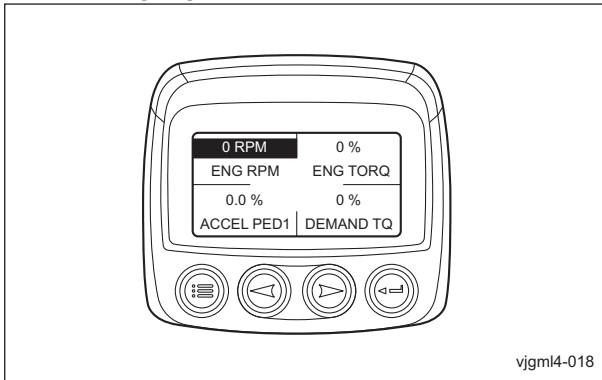
Custom Setup\_003

1	Parameter values
---	------------------

[2] Use the arrow keys to display the page to be changed, and then press the Enter key.

### 4. Change the parameters.

[1] Check that the value for one parameter is highlighted.



vjgm14-018

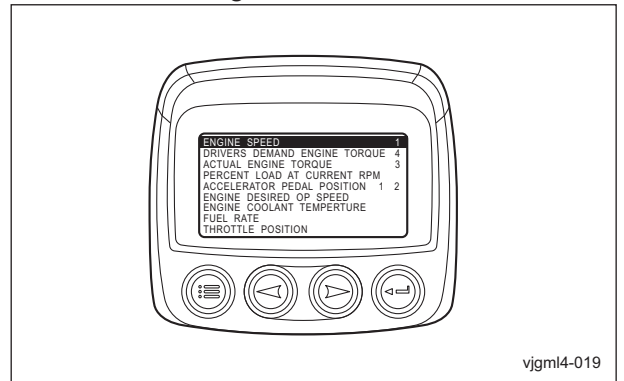
Custom Setup\_004

[2] Use the arrow keys to highlight the value of the parameter to be changed, and then press the Enter key.

[3] The parameters appear.

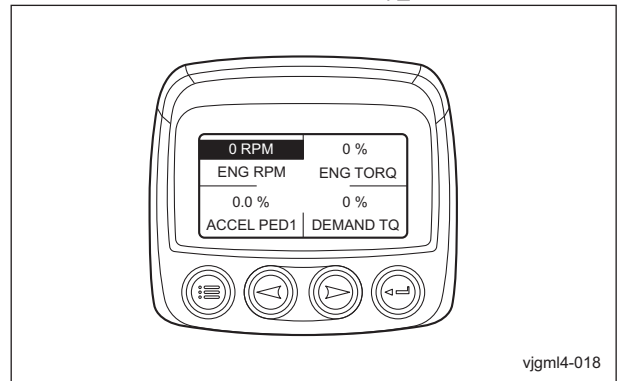
The number at the right of the parameter indicates the location in the 4-up display.

- 1=Upper left
- 2=Lower left
- 3=Upper right
- 4=Lower right



vjgm14-019

Custom Setup\_005

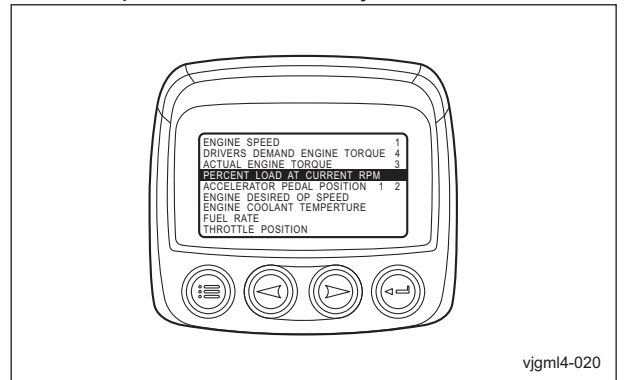


vjgm14-018

Custom Setup\_006

[4] To change to a different parameter

a. Use the arrow keys to highlight the parameter to be selected, and then press the Enter key.

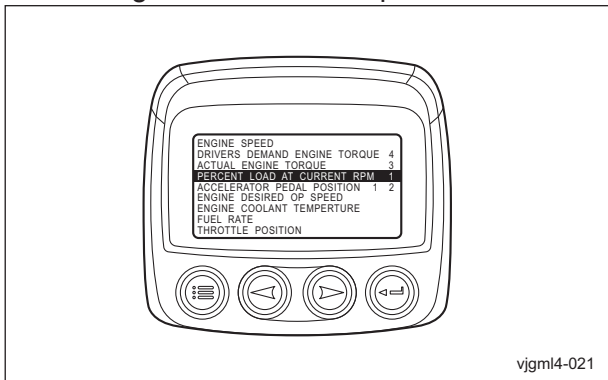


vjgm14-020

Custom Setup\_007

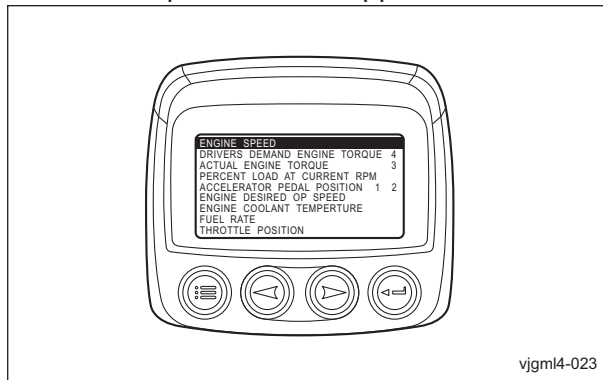
# Handling Instructions

b. Check that a number appeared to the right of the selected parameter.



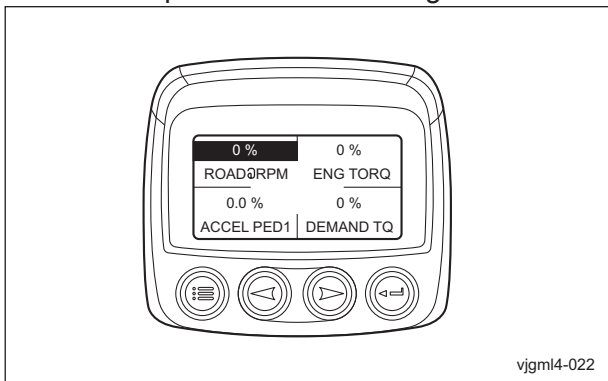
Custom Setup\_008

b. Check that the number at the right of the parameter disappeared.



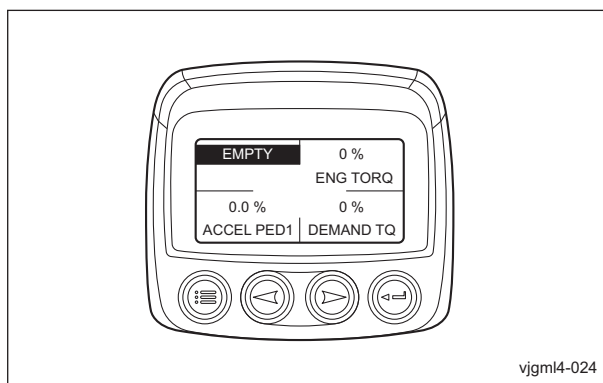
Custom Setup\_011

c. Press the menu key and check that the parameter has changed.



Custom Setup\_009

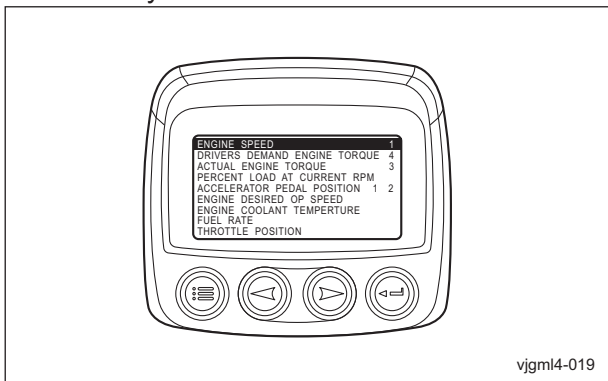
c. Press the menu key and check that the parameter has changed to "EMPTY".



Custom Setup\_012

[5] To deselect a parameter and remove it from the list of displayed parameters

a. Highlight the parameter to be removed, and then press the Enter key.



Custom Setup\_010

5. Pressing the menu key once returns to the display for selecting the page.

6. To change other parameters, repeat steps 3 to 5.

## Service Reminders

With "SERVICE REMINDERS", the notification of replacement time for the following 5 consumables can be specified.

- Engine oil
- Engine oil filter
- Hydraulic oil
- Hydraulic oil filter
- Air cleaner

The following 2 items appear when "SERVICE REMINDERS" is selected.

- RESET REMINDERS
- MODIFY REMINDERS



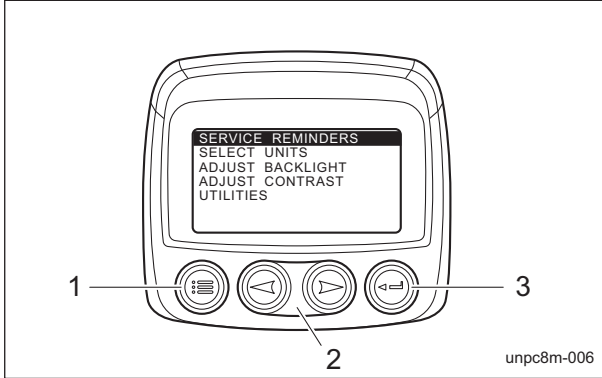
# Handling Instructions

## Reset Reminders

With "RESET REMINDER", displayed remaining time can be reset to the time specified with "MODIFY REMINDERS".

1. Press the menu key.

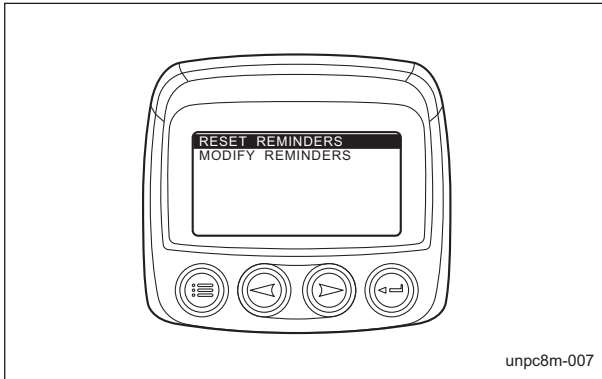
After the main menu appears, use the arrow keys to highlight "SERVICE REMINDERS", and then press the Enter key.



Reset Reminders\_001

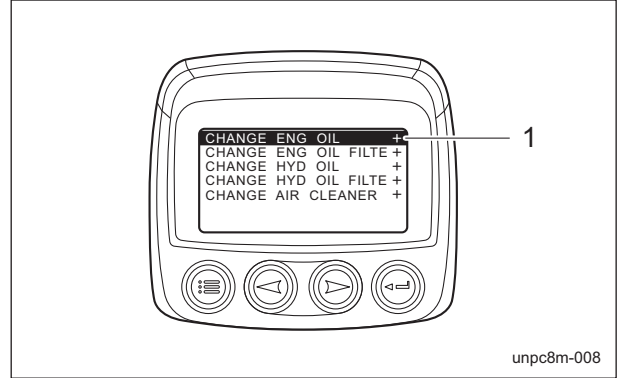
1	Menu key
2	Arrow keys
3	Enter key

2. Highlight "RESET REMINDER", and then press the Enter key.



Reset Reminders\_002

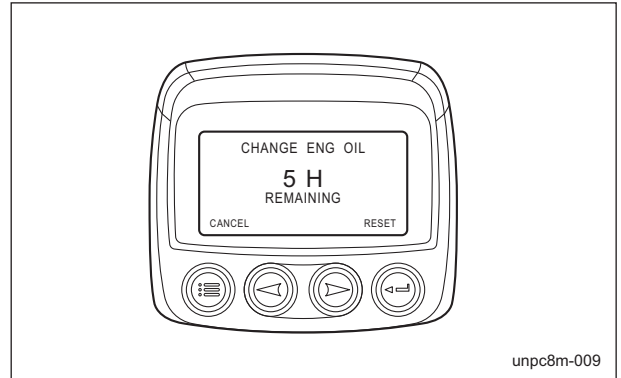
3. Use the arrow keys to highlight the item to be changed, and then press the Enter key. A plus appears at the right of the currently selected items.



Reset Reminders\_003

1	Plus
---	------

4. The remaining time for the selected item appears.



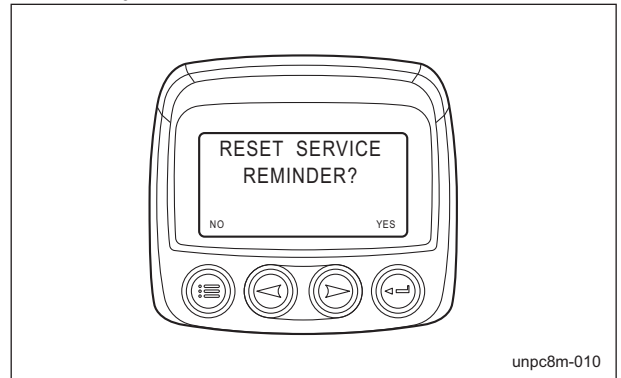
Reset Reminders\_004

[1] To reset the remaining time to the specified time, press the Enter key.

[2] "RESET SERVICE REMINDER?" appears.

To reset, press the Enter key.

To cancel resetting, press the menu key.



Reset Reminders\_005

5. The screen for selecting the item appears.

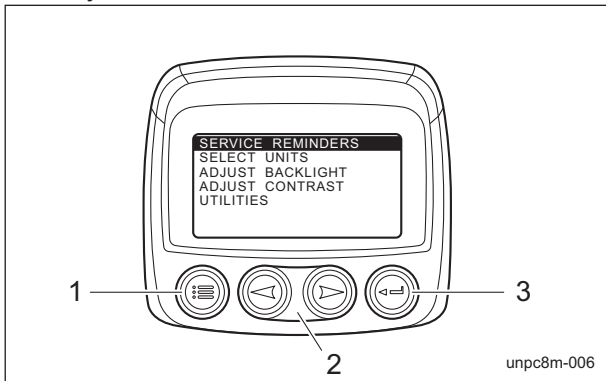
# Handling Instructions

## ■Modify Reminders

With "MODIFY REMINDERS", the replacement time period for consumables can be specified.

1. Press the menu key.

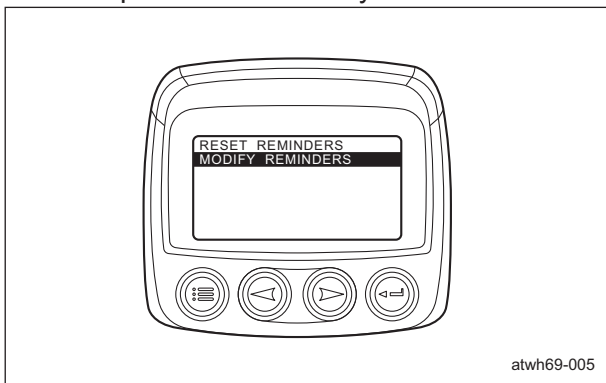
After the main menu appears, use the arrow keys to highlight "SERVICE REMINDERS", and then press the Enter key.



Modify Reminders\_001

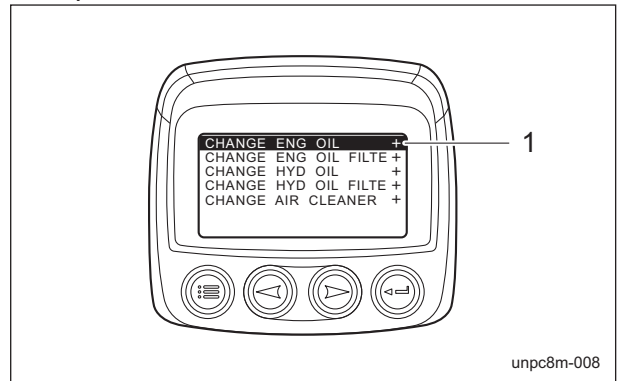
1	Menu key
2	Arrow keys
3	Enter key

2. Highlight "MODIFY REMINDERS", and then press the Enter key.



Modify Reminders\_002

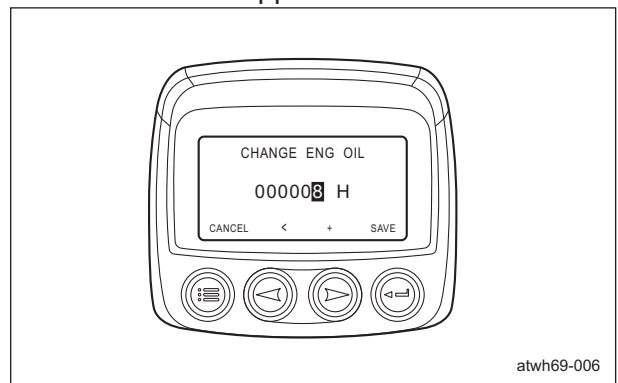
3. Use the arrow keys to highlight the item to be changed, and then press the Enter key. A plus appears at the right of the currently specified items.



Modify Reminders\_003

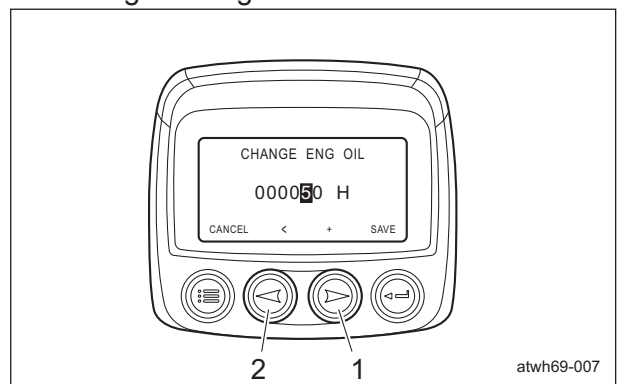
1	Plus
---	------

4. The replacement time period for the selected item appears.



Modify Reminders\_004

5. Highlight the digit to be changed. Press the right arrow key to increase the number. Press the left arrow key to change the digit.



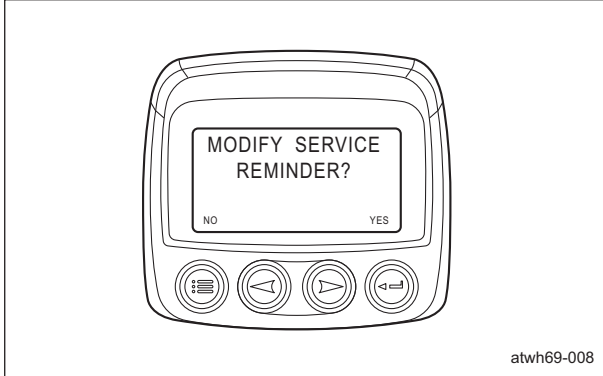
Modify Reminders\_005

1	Right arrow key
2	Left arrow key

6. To save the specified time period, press the Enter key.

# Handling Instructions

7. "MODIFY SERVICE REMINDER?" appears.  
 To save the changes, press the Enter key.  
 To cancel the changes, press the menu key.



Modify Reminders\_006

8. The display for selecting the item appears. Initial and regular time periods

	Initial time period	Regular time period
Engine oil	8 hrs.	50 hrs.
Engine oil filter	50 hrs.	100 hrs.
Hydraulic oil	100 hrs.	500 hrs.
Hydraulic oil filter	100 hrs.	500 hrs.
Air cleaner	200 hrs.	200 hrs.

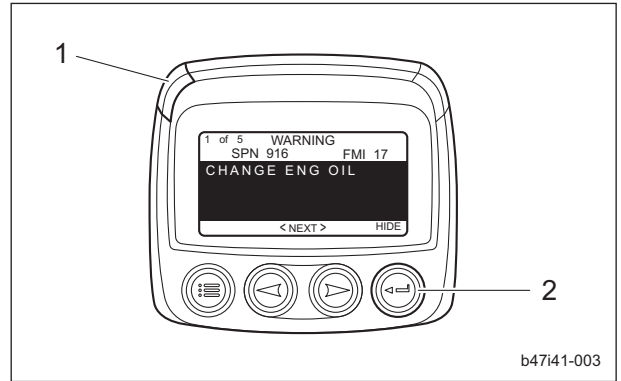
**Note:**  
 The factory default replacement time periods are the initial time periods.

■Reminder Display



**Caution**  
 If a warning message appears, immediately stop operation, and then perform the replacement procedure.

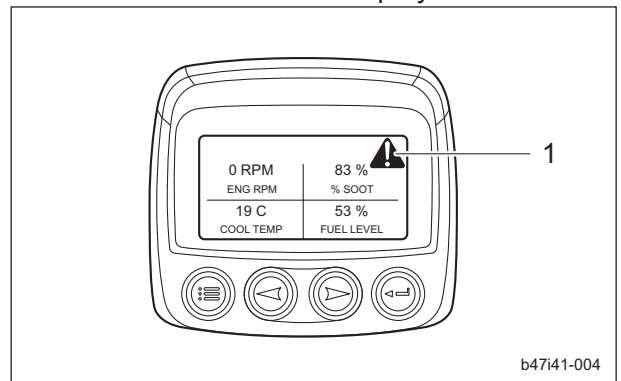
1. When the specified replacement time period for a consumable has passed, a warning message appears in the monitor display and the LED (yellow) lights up.



Reminder Display\_001

1	LED (yellow)
2	Enter key

2. Pressing the Enter key changes the screen from the warning message to the parameter display.
3. A warning mark appears in the upper-right corner of the monitor display.



Reminder Display\_002

1	Warning mark
---	--------------

4. Change the replacement time period of consumables with "RESET REMINDERS" or "MODIFY REMINDERS".  
 When the replacement time period is changed, the warning message and mark disappear.

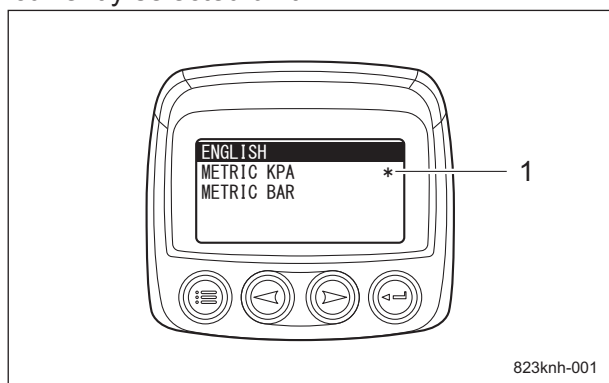
# Handling Instructions

## Select Units

With "SELECT UNITS", the units of parameter values can be set to any of the following three formats.

- ENGLISH
- METRIC KPA
- METRIC BAR

An asterisk appears at the right of the currently selected unit.



Select Units\_001

1	Asterisk
---	----------

Monitor display S	Units		
	ENGLISH	METRIC KPA	METRIC BAR
ENG RPM	RPM	RPM	RPM
DEMAND TQ	%	%	%
ENG TORQ	%	%	%
LOAD@RPM	%	%	%
ACCEL PED1	%	%	%
DES ENG SP	RPM	RPM	RPM
COOL TEMP	F	C	C
FUEL RATE	G/HR	L/HR	L/HR
THROTTLE	%	%	%
BST PRES	PSI	kPa	BAR
MANI TEMP	F	C	C
BAT VOLT	VDC	VDC	VDC
BARO PRES	PSI	kPa	BAR
AMB TEMP	F	C	C
AIR IN TP	F	C	C
FUEL USED	Gal	L	L
ENG HRS	H	H	H
OIL PRES	PSI	kPa	BAR
RAIL PRES	PSI	kPa	BAR
AIR RATE	Gal	L	L
DOC TEMP	F	C	C
EF IN T	F	C	C
DIFF PRES	PSI	kPa	BAR
EF OUT T	F	C	C
%SOOT	%	%	%
MACH HRS	H	H	H
FUEL LEVEL	%	%	%

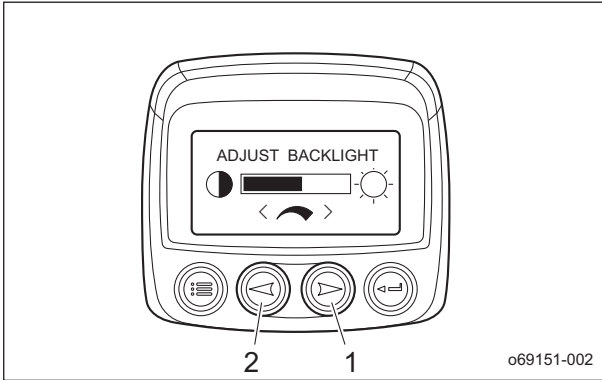
### Note:

The factory default unit is "METRIC KPA".

# Handling Instructions

## Adjust Backlight

With "ADJUST BACKLIGHT", the brightness of the monitor display can be adjusted. Press the right arrow key to make the display brighter. Press the left arrow key to make the display darker.

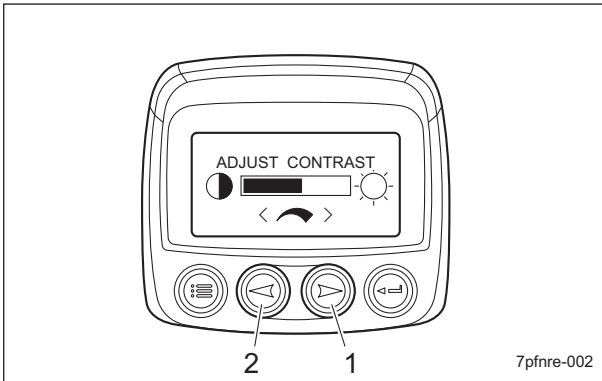


Adjust Backlight\_001

1	Right arrow key
2	Left arrow key

## Adjust Contrast

With "ADJUST CONTRAST", the contrast of the monitor display can be adjusted. Press the right arrow key to decrease the contrast. Press the left arrow key to increase the contrast.



Adjust Contrast\_001

1	Right arrow key
2	Left arrow key

## Utilities

With "UTILITIES", the remaining fuel volume can be specified and the monitor configuration can be displayed.

The following 6 items appear when "UTILITIES" is selected.

- GAGE DATA
- REMOVE ALL GAGES
- SOFTWARE VERSION
- FAULT CONVERSION
- ANALOG INPUT
- OEM

Note:

"GAGE DATA" and "REMOVE ALL GAGES" are not supported on this machine.

### ■Software Version

With "SOFTWARE VERSION", the software version of the monitor can be displayed.

### ■Fault Conversion

With "FAULT CONVERSION", the J1939 fault code conversion method can be specified.

The monitor normally detects J1939 version 4.

Since the engine ECU of this machine uses J1939 version 4, no adjustments are necessary.

# Handling Instructions

## ■ Analog Input

With "ANALOG INPUT", remaining fuel volume information can be specified.

The following 2 items appear when "ANALOG INPUT" is selected.

"ANALOG INPUT" is selected.

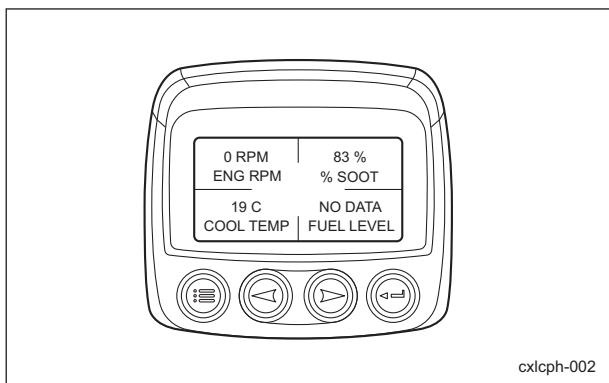
- BACKLIGHT DIMMER
- FUEL LEVEL

### Important

"BACKLIGHT DIMMER" is not supported on this machine.

Always select "FUEL LEVEL".

If "BACKLIGHT DIMMER" is selected, "NO DATA" appears as the value for the fuel level parameter.



Analog Input\_001

### Note:

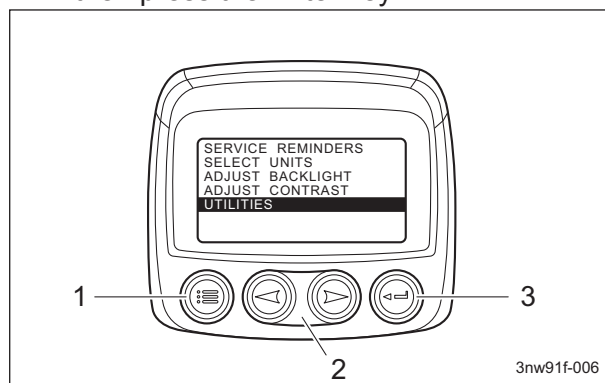
The factory default analog input is "FUEL LEVEL".

## Fuel Level

With "FUEL LEVEL", the low fuel level can be specified.

1. Press the menu key.

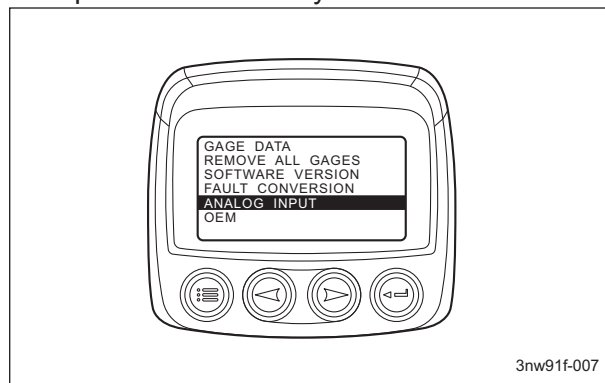
After the main menu appears, use the arrow keys to highlight "UTILITIES", and then press the Enter key.



Fuel Level\_001

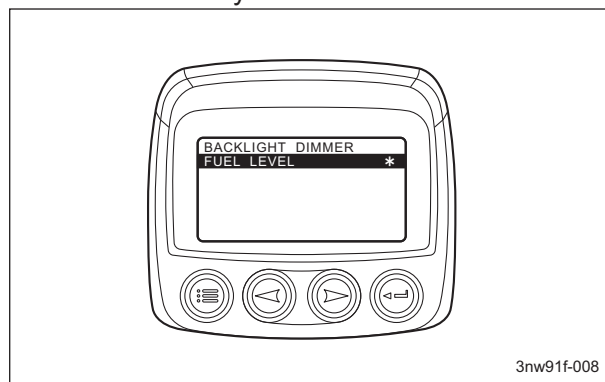
1	Menu key
2	Arrow keys
3	Enter key

2. Highlight "ANALOG INPUT", and then press the Enter key.



Fuel Level\_002

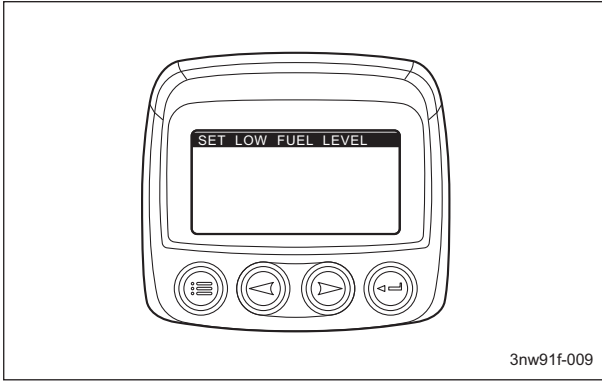
3. Highlight "FUEL LEVEL", and then press the Enter key.



Fuel Level\_003

# Handling Instructions

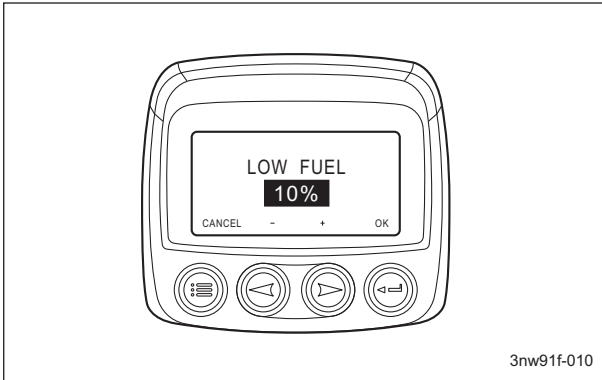
4. Highlight "SET LOW FUEL LEVEL", and then press the Enter key.



Fuel Level\_004

3nw91f-009

5. "LOW FUEL" appears.



Fuel Level\_005

3nw91f-010

6. Press the right arrow key to increase the value. Press the left arrow key to decrease the value. The value can be set between 10% and 80% in 5% increments.

7. To save the specified value, press the Enter key.

Note:

The factory default low fuel level is 10%.

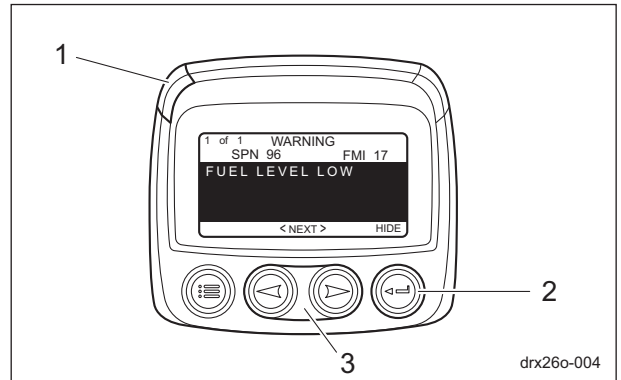
## Low Fuel Level Display

**Caution**

If a warning message appears, immediately stop operation, and then supply fuel.

1. When the fuel level falls below the specified low fuel level, a warning message appears in the monitor display and the LED (yellow) lights up. The warning message appears on two pages. Use the arrow keys to change the page.

• Text 1



Low Fuel Level Display\_001

drx26o-004

1	LED (yellow)
2	Enter key
3	Arrow keys

• Text 2



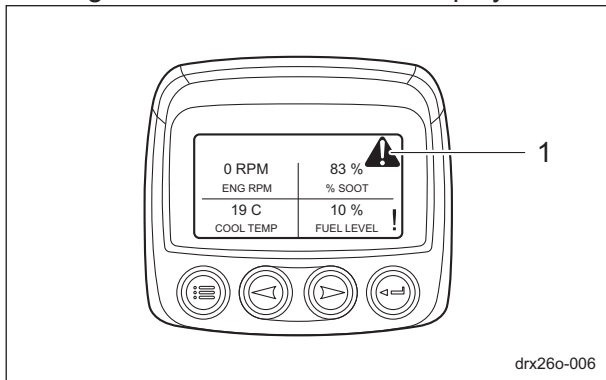
Low Fuel Level Display\_002

drx26o-005

2. Pressing the Enter key changes the screen from the warning message to the parameter display.

# Handling Instructions

3. A warning mark appears in the upper-right corner of the monitor display.



Low Fuel Level Display\_003

1	Warning mark
---	--------------

4. When fuel is supplied to bring the fuel level above the specified low fuel level, the warning message and mark disappear.

■OEM

"OEM" is used when the manufacturer specifies factory default settings.

**Important**

No adjustments by the operator are necessary.



# Handling Instructions

## Travel of Machine

### Moving the Machine

1. Start the engine. (See "Procedure to Start Engine" (Page 5-24) .)
2. Raise all mower units, and then engage the mower lock levers (latches) for mower units #4 and #5.
3. Depress the brake pedal to release the parking brake.
4. Slowly depress the traveling pedal.
5. The machine will start to move.

### Towing the Machine

If the machine does not travel due to engine trouble, etc., you can move it by towing it.

**Caution**

Tow the machine at a low speed while paying close attention.

**Caution**

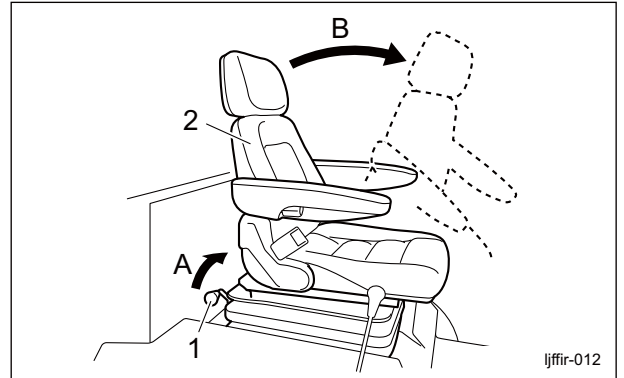
Do not touch the unload valve except when towing the machine.

**Caution**

Before restarting the engine, be sure to close the unload valve.

1. Stop the engine. (See "Procedure to Stop Engine" (Page 5-25) .)
2. Apply the parking brake and chock the wheels.
3. Make sure that the steering wheel is raised completely, and then bring the seat to the backmost position.

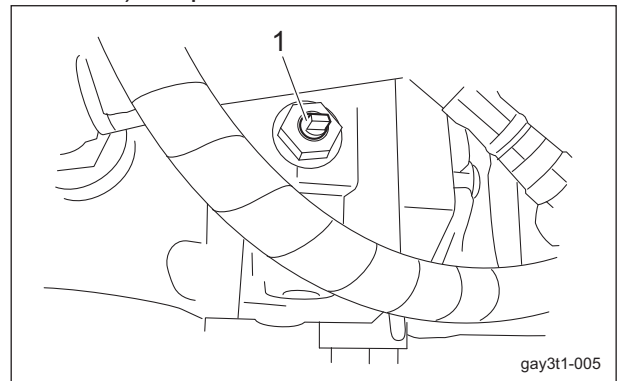
4. Pull up the lever behind the seat to unlock it, and then tilt the seat forward to open the cover.



Towing the Machine\_001

1	Lever
2	Seat
A	Pull up
B	Tilt forward

5. Turn the unload valve, located beside the hydraulic pump, 90 degrees (so that it is vertical) to open it.



Towing the Machine\_002

1	Unload valve
---	--------------

6. Remove the wheel stopper, and then depress the brake pedal to release the parking brake.
7. Tow the machine slowly.

# Handling Instructions

## Cutting Work

### Cutting Work

**Warning**

Do NOT start to move or stop the machine abruptly. To do so is very dangerous. In addition, it may damage the hydraulic system or result in oil leakage.

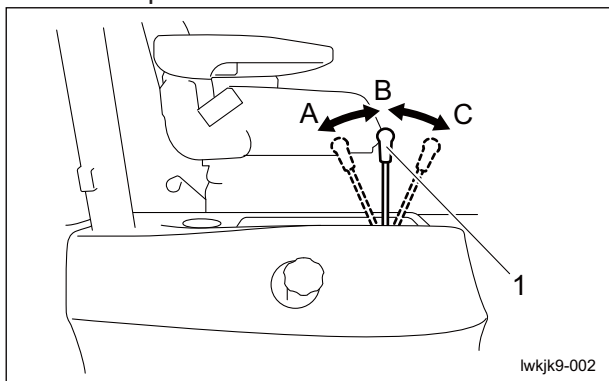
**Caution**

Cutting work must be performed at an appropriate speed for the site and location. When cutting over bumpy surfaces, keep the engine rpm steady, and slow down the cutting speed.

**Caution**

Knife rotation will be turned on or off based on the sensor-detected position of the mower units. Please note that if you stop operating the mower unit up/down lever before the mower units are raised completely, knife rotation may not stop.

1. Drive to the cutting area. (See "Moving the Machine" (Page 5-69) .)
2. Move the throttle knob to the rabbit icon (high speed) to run the engine at the maximum rpm.
3. Right before starting cutting work, release the mower lock levers for mower units #4 and #5.
4. Shift the mower unit up/down lever to the "DOWN" position to lower the mower units.



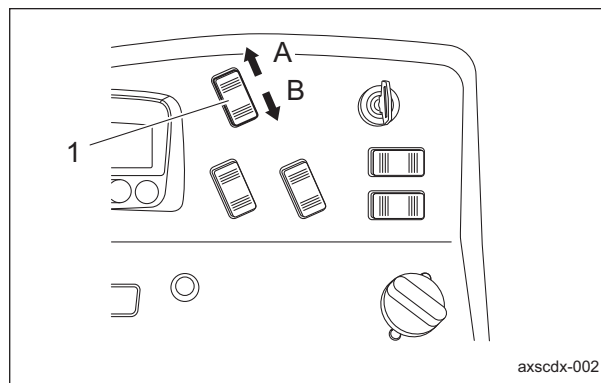
Cutting Work\_001

1	Mower unit up/down lever
A	UP
B	Neutral
C	DOWN

**Caution**

When the engine rotation is at low speed, do not rotate the knives. It may result in the hydraulic system malfunction.

5. Set the knife rotation switch to the "ON" position to rotate the knives of all mower units.



Cutting Work\_002

1	Knife rotation switch
A	ON
B	OFF

6. Depress the traveling pedal to start cutting work.

**Note:**

During the work, the knives will rotate or stop in sync with the up and down motion of the mower units.

## Transporting

### Transporting Procedure

When loading the machine into a trailer or a truck to transport it, drive the machine forward. When unloading, drive the machine in reverse. If the roof is installed on the machine, remove it.


The roof may be damaged by wind pressure.

<b>Maintenance Precautions .....</b>	<b>Page 6-2</b>
<b>Maintenance Schedule .....</b>	<b>Page 6-3</b>
Specified Values .....	Page 6-4
Main Consumable Parts .....	Page 6-5
<b>DPF .....</b>	<b>Page 6-6</b>
About DPF .....	Page 6-6
Types of DPF Regeneration .....	Page 6-6
Conditions for DPF Regeneration .....	Page 6-6
DPF Regeneration Displays .....	Page 6-8
DPF Auto Regeneration .....	Page 6-8
<b>Jacking up the machine .....</b>	<b>Page 6-13</b>
About the Jacking up the machine .....	Page 6-13
Jack-up Points .....	Page 6-13
<b>Greasing .....</b>	<b>Page 6-15</b>
About Greasing .....	Page 6-15
Greasing Points .....	Page 6-15
<b>Maintenance (Mower) .....</b>	<b>Page 6-19</b>
Change of Rotary Knife .....	Page 6-19
Sharpening of Rotary Knife .....	Page 6-23
Balancing of Rotary Knife .....	Page 6-25
<b>Maintenance (Main Body) .....</b>	<b>Page 6-25</b>
Removing/Installing Tires .....	Page 6-25
Adjustment of Belt Tension .....	Page 6-26
Adjustment of Brake .....	Page 6-27
Adjusting the Neutral Position of the Piston Pump .....	Page 6-28
Change of Fuse .....	Page 6-29
<b>Long-Term Storage .....</b>	<b>Page 6-30</b>
Before Long-Term Storage .....	Page 6-30

# Maintenance

---

## Maintenance Precautions

 Caution

First, learn well the maintenance operations you plan to perform.

 Caution

Use tools appropriate for each maintenance operation.

 Caution

For the safe and best performance of your machine, use Baroness genuine parts for replacement and accessories.  
Please note that our product warranty may be void if you use non-genuine parts for replacement or accessories.

## Maintenance Schedule

- GM2810  
 Follow the maintenance schedule below.  
 ○ . . . Inspect, adjust, supply, clean  
 ● . . . Replace (first time)  
 △ . . . Replace

Maintenance item		Before work	After work	Every 8 hrs.	Every 10 hrs.	Every 50 hrs.	Every 100 hrs.	Every 200 hrs.	Every 250 hrs.	Every 400 hrs.	Every 500 hrs.	Every year	Every 2 years	Every 4 years	Remarks	
Engine	Tightening the parts	○														
	Fuel	○														
	Engine oil	○		●		△									8 hrs (first time)	
	Engine oil filter	○				●	△								50 hrs (first time)	
	Radiator	○														
	Oil cooler	○														
	Coolant	○				△										
	Fan belt	○											△			
	Battery	○												△		
	Battery fluid	○														
	Injector															Inspect Every 1,500 hrs.
	Oil separator element															Replace Every 1,500 hrs.
	DPF cleaning															Every 3,000 hrs.
	Cleaning the exterior		○													
Main body	Tightening the parts	○														
	Interlock system	○														
	Electrical wiring											○				
	Knife (blade)	○													Refer to "Inspection of Rotary Knife"	
	Operating height (Mowing height)	○														
	Greasing, oiling					○										
	Tire	○													Refer to "Inspection of Tires"	
	Brake	○													Refer to "Inspection of Brake"	
	Brake wire	○							△							
Oil leakage	○															

Maintenance

# Maintenance

Maintenance item		Before work	After work	Every 8 hrs.	Every 10 hrs.	Every 50 hrs.	Every 100 hrs.	Every 200 hrs.	Every 250 hrs.	Every 400 hrs.	Every 500 hrs.	Every year	Every 2 years	Every 4 years	Remarks	
Main body	Hydraulic oil	○					●				△				100 hrs (first time)	
	Hydraulic oil filter						●				△				100 hrs (first time)	
	Hydraulic hose (moving part)	○											△			
	Hydraulic hose (fixed part)	○												△		
	Air cleaner	○														
	Outer element							△				△			Whichever comes first	
	Inner element											△				
	Water separator						○									Refer to "Inspection of Water Separator", "Draining of Water Separator"
												○				Refer to "Cleaning of Water Separator"
	Fuel strainer							○					△			
	Fuel pipe	○														
Cleaning the exterior		○														

For the maintenance schedule of the items unlisted above, refer to the Engine's Owner's Manual.

The values for consumables are not guaranteed.

Replace the steering cylinder hoses every 2 years.

## Specified Values

Fuel tank capacity	51.0 dm <sup>3</sup> (51.0 L)	Ultra-low sulfur diesel fuel (sulfur-free diesel fuel) or equivalent
Hydraulic tank capacity	44.0 dm <sup>3</sup> (44.0 L)	Shell Tellus S2M46 or equivalent
Quantity of engine oil	9.7 dm <sup>3</sup> (9.7 L)	JASO DH-2 or API Service Grade CJ-4
Coolant volume	12.0 dm <sup>3</sup> (12.0 L)	Including reserve tank (1.0 L)
Front Tire	150 kPa (1.5 kgf/cm <sup>2</sup> )	29 × 14.00 - 15
Rear tire	140 kPa (1.4 kgf/cm <sup>2</sup> )	20 × 12.00 - 10

Main Consumable Parts

Part name	Code
Fan belt	PF17266-9701-0
Oil element	PF16414-3243-4
Air cleaner element (outer)	PF59800-2611-0
Air cleaner element (inner)	PF3A111-1913-0
Fuel filter element	PF1J521-4317-0
Suction filter	K3413000040
Hydraulic cartridge filter	K3410000030
Hydraulic oil (20 L can)	K2913100200
Throttle wire	K1110168020
Brake wire, right	K1120238000
Brake wire, left	K1120205500
Pad kit for brake	Y328-2845

# Maintenance

## DPF

### About DPF

#### Danger

Since it will become extremely hot around the exhaust outlet, do not perform DPF regeneration in a location where fires may occur.

The DPF is a purifying filter that collects PM (soot) from exhaust gas. When a certain amount of PM (soot) has accumulated, DPF regeneration must be performed automatically or manually in order to restore the filtering function.

### Types of DPF Regeneration

DPF regeneration is performed with any of the following four methods.

#### 1. Auto regeneration

Raising the exhaust temperature is automatically controlled to perform DPF regeneration.

Regeneration can be performed by this machine.

This machine can continue to be operated during regeneration.

#### 2. Parked regeneration

If auto regeneration does not reduce the amount of accumulated PM below the specified value, park this machine in a safe location, and then forcibly perform DPF regeneration.

Regeneration can be performed by this machine.

This machine cannot continue to be operated during regeneration.

#### Important

Manual regeneration cannot be performed by the operator. If manual regeneration is necessary, contact your dealer.

#### 3. Manual regeneration

DPF regeneration is performed using a fault diagnostic tool.

Regeneration cannot be performed by this machine.

Perform manual regeneration under any of the following conditions.

- PM accumulation level 4 is reached.
- The DPF was cleaned or replaced.
- The ECU was replaced.

#### Important

DPF cleaning cannot be performed by the operator. If DPF cleaning is necessary, contact your dealer.

#### 4. DPF cleaning

The DPF will be sent to the engine manufacturer so that DPF regeneration can be performed with specifically designed equipment.

Regeneration cannot be performed by this machine.

Perform DPF cleaning under any of the following conditions.

- Every 3,000 hrs
- PM accumulation level 5 is reached.

### Conditions for DPF Regeneration

#### Danger

Since it will become extremely hot around the exhaust outlet, do not perform DPF regeneration in a location where fires may occur.

#### Important

If DPF regeneration is canceled before it is completed, the next regeneration request may occur soon since not all of the PM (soot) was removed.

1. DPF auto regeneration does not begin unless both of the following two conditions are met.
  - The DPF auto regeneration inhibit switch is set to the "Regenerate" position.
  - The coolant temperature is 65 °C or more.
2. DPF parked regeneration and manual regeneration do not begin unless all of the following four conditions are met.
  - The parking brake is applied.



- The traveling pedal is in the neutral position.
  - The throttle opening is 0% (idling).
  - The coolant temperature is 65 °C or more.
3. During DPF regeneration, the operation is canceled if any of the following conditions occur.
- Any condition for starting regeneration is violated.
  - The ignition key is switched to the "OFF" position.

# Maintenance

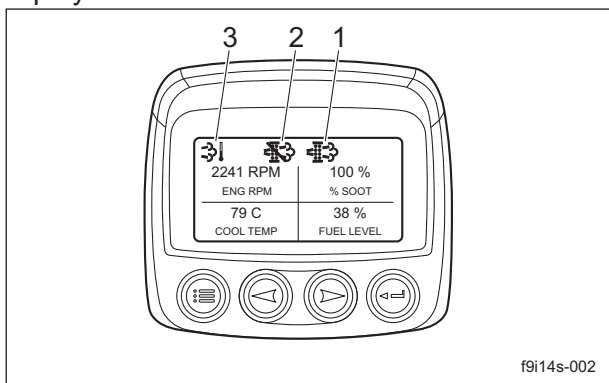
## DPF Regeneration Displays

**Danger**

Since it will become extremely hot around the exhaust outlet, do not perform DPF regeneration in a location where fires may occur.

The following three icons indicate the DPF regeneration status.

The icon appears at the top of the monitor display.



DPF Regeneration Displays\_001

1	Regeneration icon
2	Auto regeneration inhibit icon
3	High exhaust temperature icon

**1. Regeneration icon**

The regeneration icon appears with DPF regeneration request or during DPF regeneration.

- DPF regeneration request: Blinking
- During DPF regeneration: Lighting

**2. Auto regeneration inhibit icon**

The auto regeneration inhibit icon lights up when the DPF auto regeneration inhibit switch is set to the "Auto regeneration inhibit" position.

**3. High exhaust temperature icon**

The high exhaust temperature icon lights up when the exhaust temperature reaches 450 °C during DPF regeneration.

## DPF Auto Regeneration

### Automatic Regeneration

**Danger**

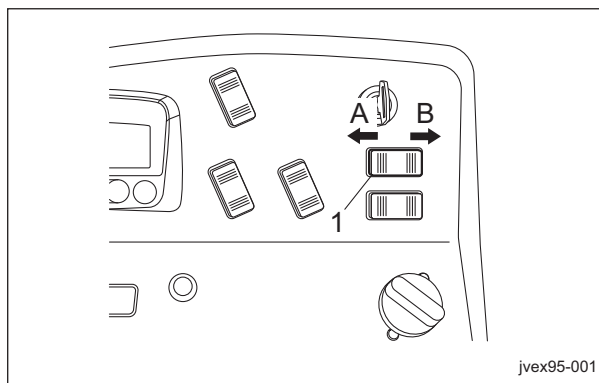
Since it will become extremely hot around the exhaust outlet during DPF regeneration, do not perform the operation in a location where fires may occur.

**Caution**

Normally, set the DPF auto regeneration inhibit switch to the "Auto regeneration" position.

However, when operating in a location where fires may occur, set the DPF auto regeneration inhibit switch to the "Auto regeneration inhibit" position.

When the DPF auto regeneration inhibit switch is set to the "Auto regeneration" position, perform regeneration as described below, according to the PM accumulation level.



Automatic Regeneration\_001

1	DPF auto regeneration inhibit switch
A	Auto regeneration
B	Auto regeneration inhibit

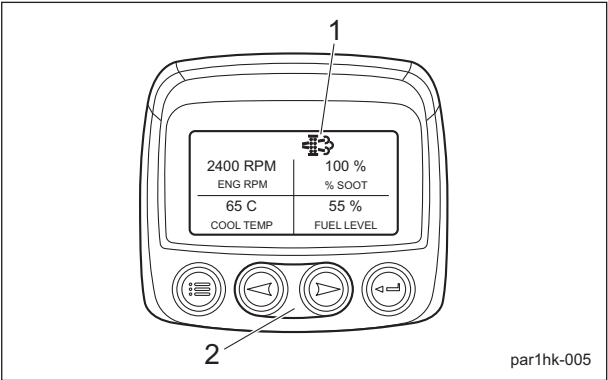
**1. Level 0**

Regeneration is not necessary.

# Maintenance

## 2. Level 1

The regeneration icon lights up and regeneration is performed automatically.



Automatic Regeneration\_002

1	Regeneration icon
2	Arrow keys

**Note:**

The machine can continue to be operated.

## 3. Level 2

The system enters level 2 if regeneration was not completed at level 1. If the regeneration icon blinks and then the conditions for auto regeneration are met, auto regeneration begins and the regeneration icon lights up.

**Note:**

The machine can continue to be operated. However, if regeneration remains uncompleted, even after 30 minutes have passed, the regeneration icon begins blinking again.

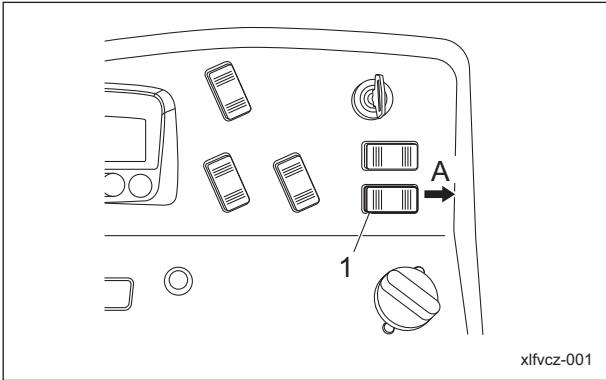
In this case, perform regeneration with parked regeneration.

Follow the steps below to perform the operation.

[1] Stop machine operations, park in a safe location, and then apply the parking brake.

[2] Set the throttle opening to 0% (idling).

[3] Set the DPF parked regeneration switch to the "Engaged" position. Regeneration starts.



Automatic Regeneration\_003

1	DPF parked regeneration switch
A	Engaged

**Important**

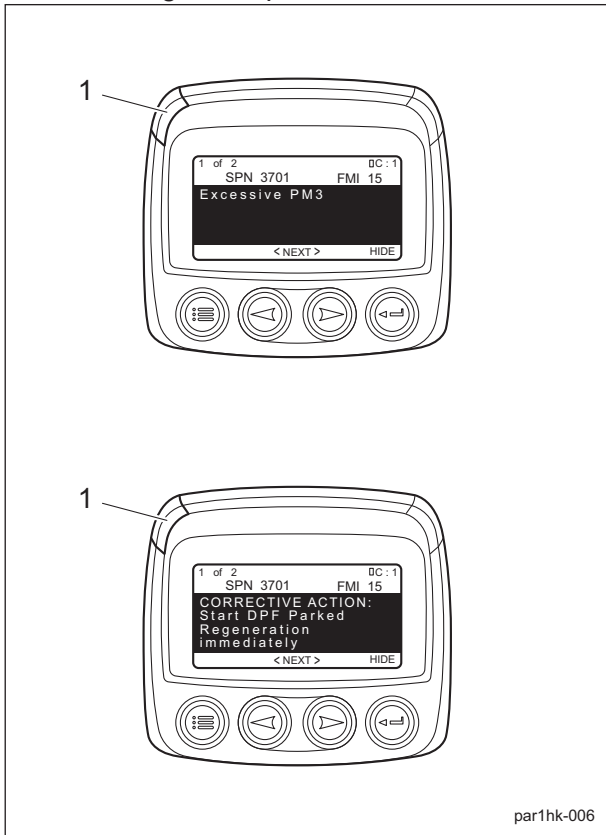
The machine cannot continue to be operated.

# Maintenance

## 4. Level 3

If the parked regeneration request of level 2 is ignored and the machine continues to be operated, the system enters level 3 and the following occur.

- "Excessive PM3" appears in the monitor display. Pressing an arrow key changes the display to "CORRECTIVE ACTION: Start DPF Parked Regeneration immediately".
- The LED (yellow) lights up.
- The engine output is limited at 50%.



par1hk-006

Automatic Regeneration\_004

1	LED (yellow)
---	--------------

Perform regeneration with parked regeneration.

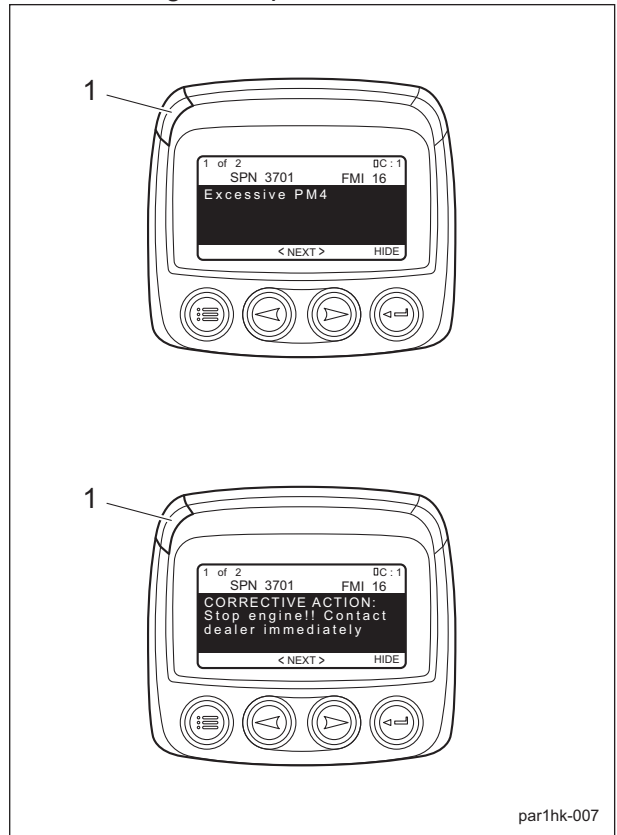
**Important**

The machine cannot continue to be operated.

## 5. Level 4

If the parked regeneration request of level 3 is ignored and the machine continues to be operated, the system enters level 4 and the following occur.

- "Excessive PM4" appears in the monitor display. Pressing an arrow key changes the display to "CORRECTIVE ACTION: Stop engine!! Contact dealer immediately".
- The LED (yellow) lights up.
- The engine output is limited at 50%.



par1hk-007

Automatic Regeneration\_005

1	LED (yellow)
---	--------------

Perform regeneration with manual regeneration.

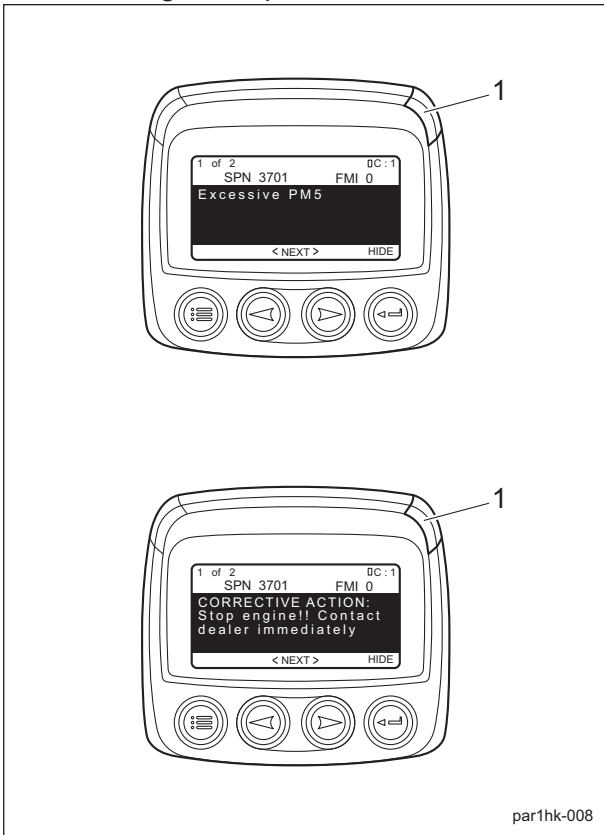
**Important**

Manual regeneration cannot be performed by the operator. If manual regeneration is necessary, contact your dealer.

## 6. Level 5

If the manual regeneration request of level 4 is ignored and the machine continues to be operated, the system enters level 5 and the following occur.

- "Excessive PM5" appears in the monitor display. Pressing an arrow key changes the display to "CORRECTIVE ACTION: Stop engine!! Contact dealer immediately".
- The LED (red) lights up.
- The engine output is limited at 50%.



Automatic Regeneration\_006

1	LED (red)
---	-----------

DPF cleaning by the engine manufacturer must be performed.

### Important

When the system enters level 5, the DPF is completely clogged. To perform regeneration, the DPF must be removed and DPF cleaning must be performed by the engine manufacturer. Contact your dealer.

## Auto Regeneration Inhibition

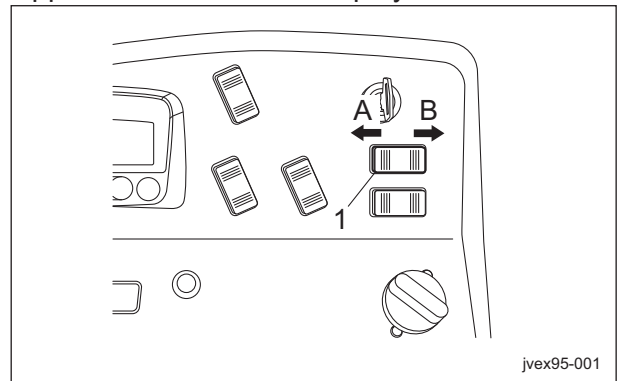
### **⚠ Danger**

Since it will become extremely hot around the exhaust outlet, do not perform DPF regeneration in a location where fires may occur.

### **⚠ Caution**

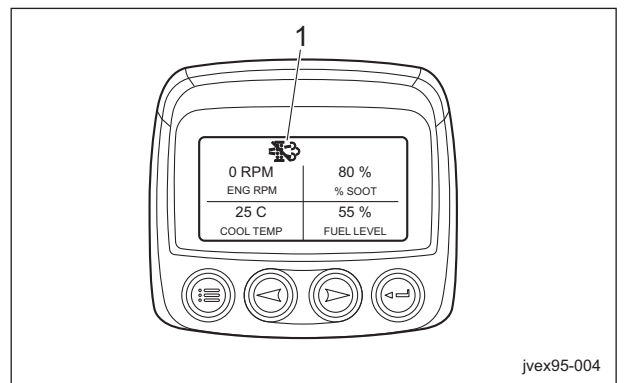
Normally, set the DPF auto regeneration inhibit switch to the "Auto regeneration" position. However, when operating in a location where fires may occur, set the DPF auto regeneration inhibit switch to the "Auto regeneration inhibit" position.

When the DPF auto regeneration inhibit switch is set to the "Auto regeneration inhibit" position, the auto regeneration inhibit icon appears in the monitor display.



Auto Regeneration Inhibition\_001

1	DPF auto regeneration inhibit switch
A	Auto regeneration
B	Auto regeneration inhibit



Auto Regeneration Inhibition\_002

1	Auto regeneration inhibit icon
---	--------------------------------

# Maintenance

When the DPF auto regeneration inhibit switch is set to the "Auto regeneration inhibit" position, perform regeneration as described below according to the PM accumulation level.

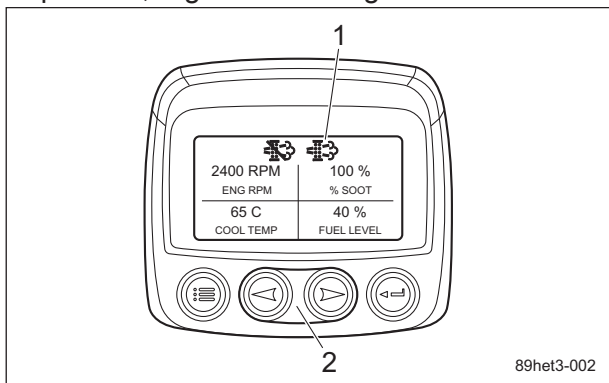
1. Level 0

Regeneration is not necessary.

2. Level 1

The regeneration icon blinks.

When the DPF auto regeneration inhibit switch is set to the "Auto regeneration" position, regeneration begins.



Auto Regeneration Inhibition\_003

1	Regeneration icon
2	Arrow keys

Note:

The machine can continue to be operated.

3. Level 2

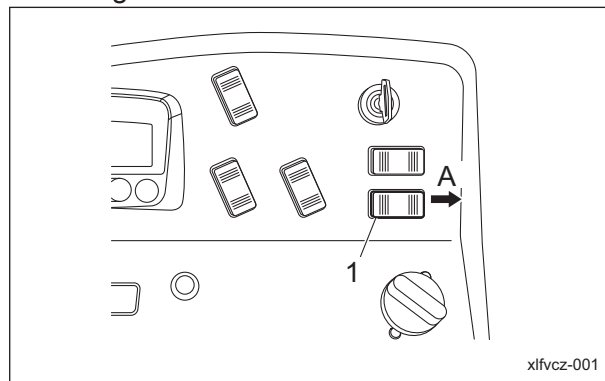
If the regeneration request of level 1 is ignored and the machine continues to be operated, the system enters level 2 and regeneration will be performed with parked regeneration.

Follow the steps below to perform the operation.

[1] Stop machine operations, park in a safe location, and then apply the parking brake.

[2] Set the throttle opening to 0% (idling).

[3] Set the DPF parked regeneration switch to the "Engaged" position. Regeneration starts.



Auto Regeneration Inhibition\_004

1	DPF parked regeneration switch
A	Engaged

**Important**

The machine cannot continue to be operated.

Levels 3, 4 and 5 are the same as if the DPF auto regeneration inhibit switch is set to the "Auto regeneration" position. Refer to "Automatic Regeneration".

## Jacking up the machine

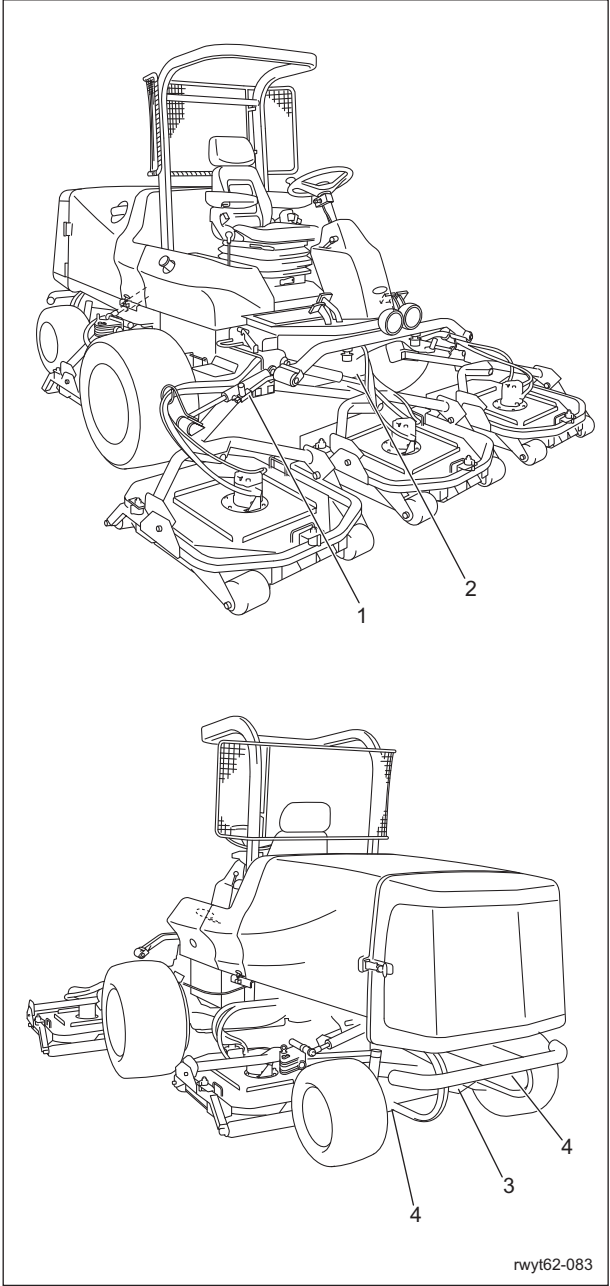
## Jack-up Points

### About the Jacking up the machine

**Warning**

When replacing a tire or beginning any other maintenance or repairs, be sure to chock the wheels to prevent the machine from moving. Before jacking up the machine, park it on a hard, flat surface such as a concrete floor and remove any obstacles that could prevent you from performing the work safely. When necessary, use an appropriate chain block, hoist, or jack. Support the machine securely with jack stands or appropriate blocks. Failure to do so may cause the machine to move or fall, resulting in injury or death.

Use the jack-up points identified in this manual when jacking up the machine. Only place a jack under the jack-up points specified. Placing a jack at any other point could result in damage to the frame or other parts.



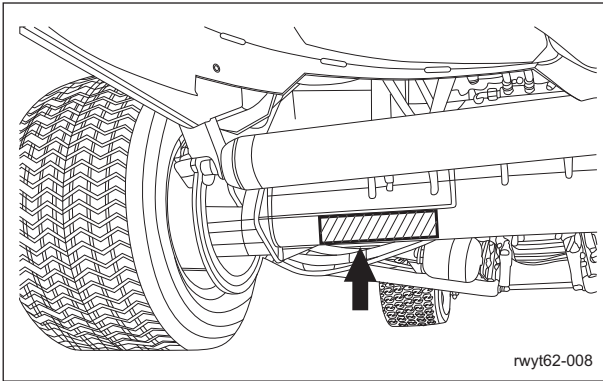
Jack-up Points\_001

	Jack-up points
1	Front right frame
2	Front left frame
3	Center of pivot
4	Below rear wheel motors

Maintenance

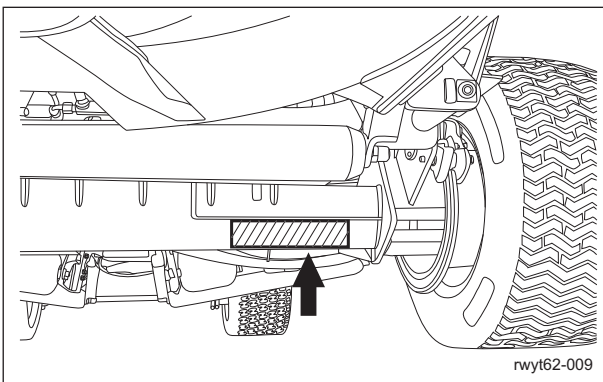
# Maintenance

## 1. Front right frame



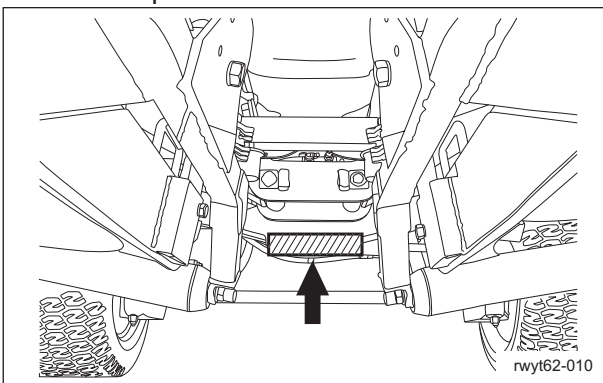
Jack-up Points\_002

## 2. Front left frame



Jack-up Points\_003

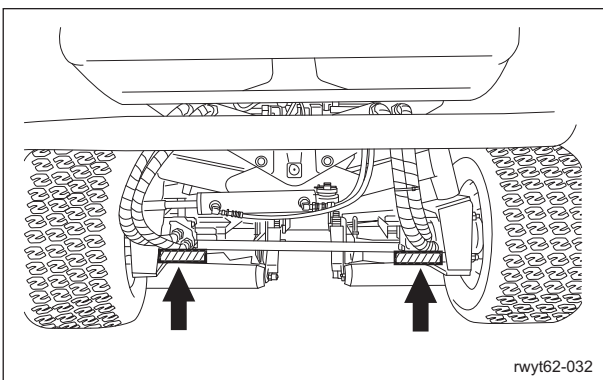
## 3. Center of pivot



Jack-up Points\_004

## 4. Below rear wheel motors

Two locations



Jack-up Points\_005



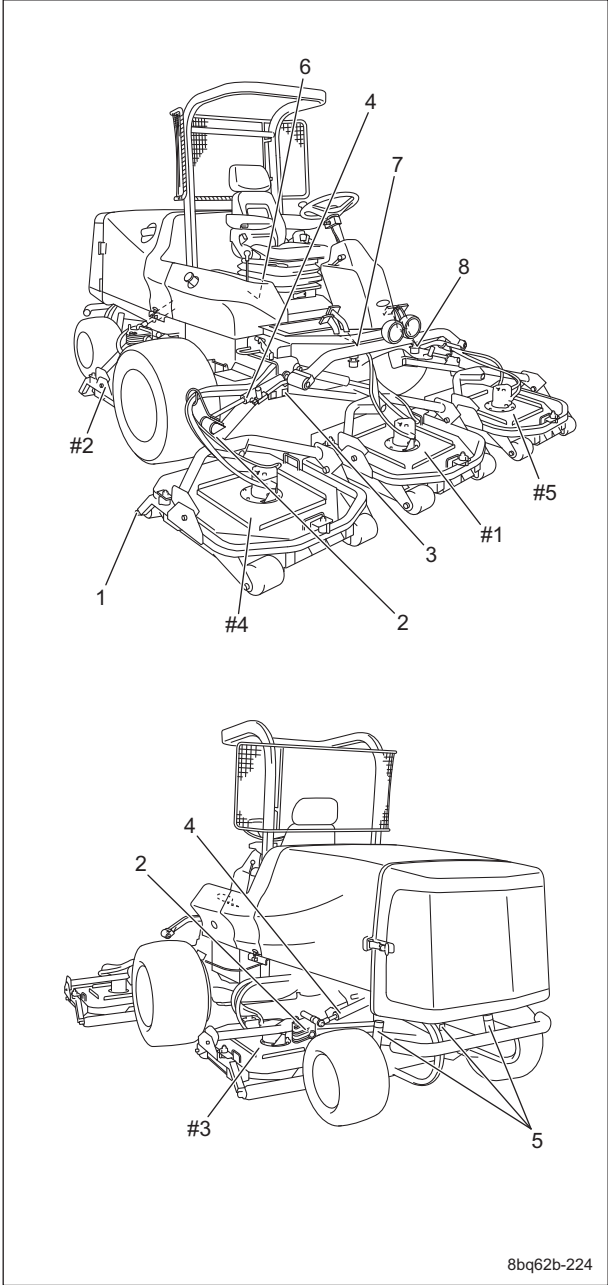
## Greasing

### About Greasing

Since there may be adhesion or damage due to lack of grease on moving parts, they must be greased.  
Add urea-based No. 2 grease in accordance with the Maintenance Schedule.  
Other locations where the specified grease or lubricant is used are indicated in "Greasing Points".  
Add grease using the specified grease or lubricant.

### Greasing Points

Grease nipples are installed in the following locations.  
Add grease every 50 hours of operation.



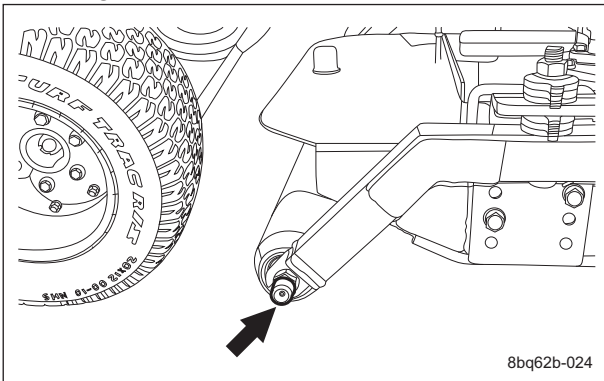
Greasing Points\_001

# Maintenance

	Portion	No. of Greasing Points
1	Rear roller	10
2	Mower arm fulcrum	5
3	Lift arm fulcrum	5
4	Lift arm cylinder fulcrum	12
5	Pivot	3
6	Neutral position area	2
7	Traveling pedal shaft fulcrum	2
8	Foot brake	3

### 1. Rear roller

There is one greasing point each on the left and right of each mower unit.

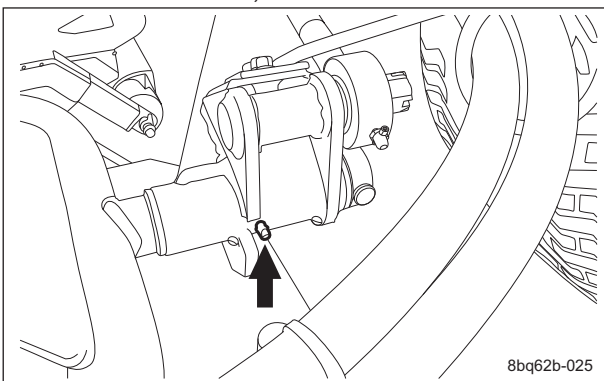


Greasing Points\_002

### 2. Mower arm fulcrum

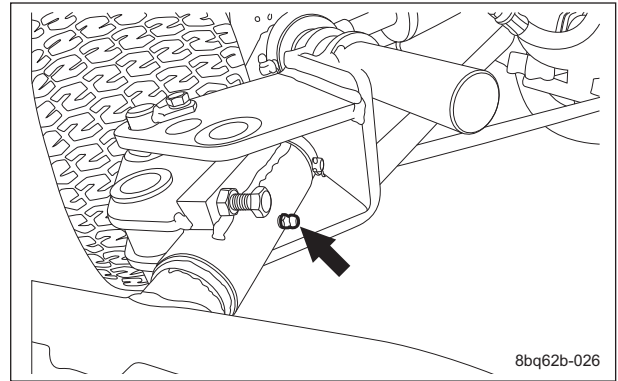
There is one greasing point on the arm connected to each mower unit.

Mower units #1, #4 and #5



Greasing Points\_003

### Mower units #2 and #3



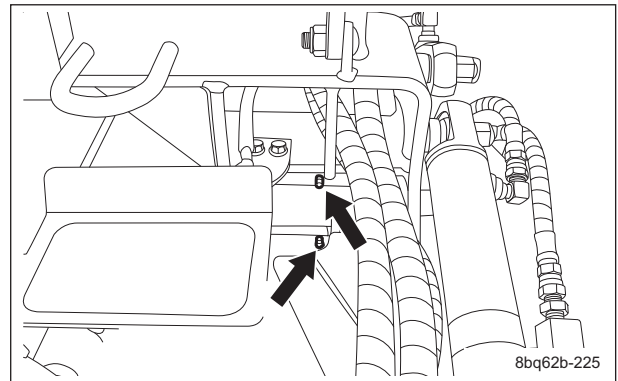
Greasing Points\_004

### 3. Lift arm fulcrum

There is one greasing point on the arm connected to each mower unit.

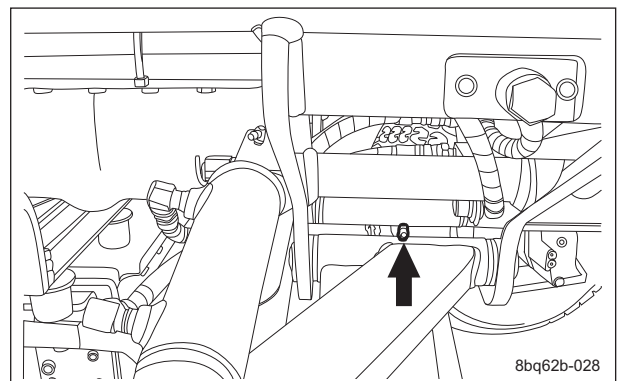
Lower the mower units before greasing the lift arm fulcrums.

Mower units #1 and #4



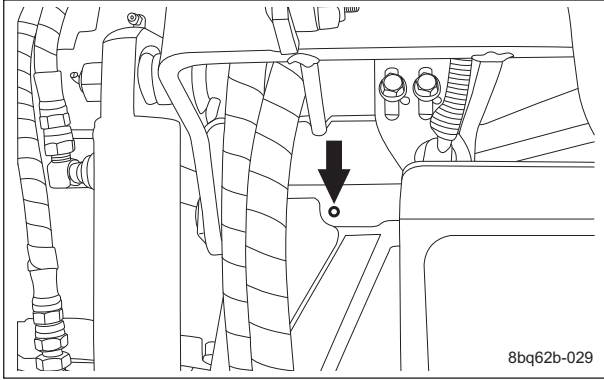
Greasing Points\_005

Mower units #2 and #3



Greasing Points\_006

### Mower unit #5

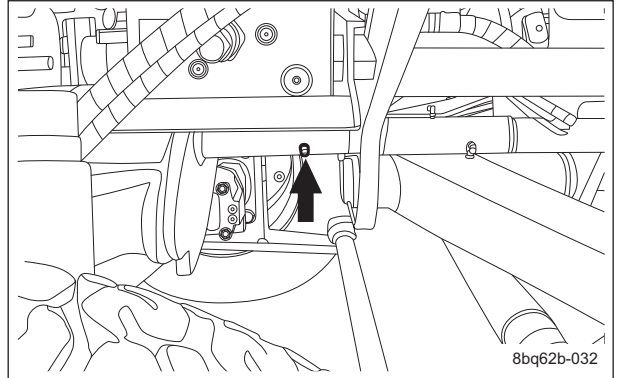


Greasing Points\_007

8bq62b-029

### 5. Pivot

Middle between the rear wheels



Greasing Points\_010

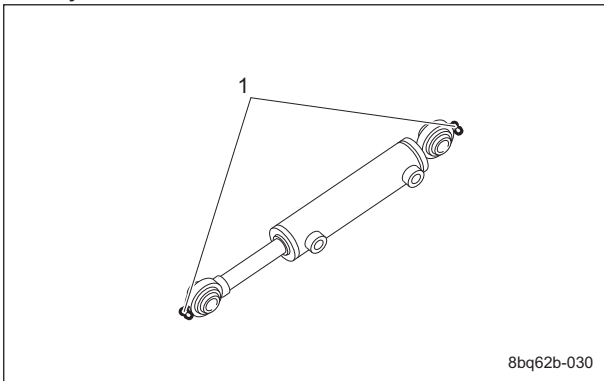
8bq62b-032

### 4. Lift arm cylinder fulcrum

This is on each cylinder of the arms connected to each mower unit.

Mower units #1, #4 and #5

There are two greasing points on each cylinder.



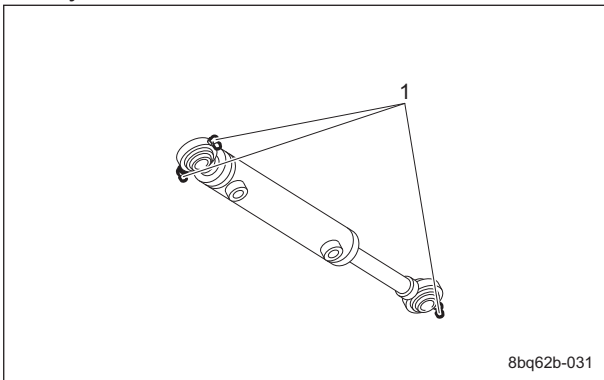
Greasing Points\_008

8bq62b-030

1	Grease nipple (2 locations)
---	-----------------------------

Mower units #2 and #3

There are three greasing points on each cylinder.

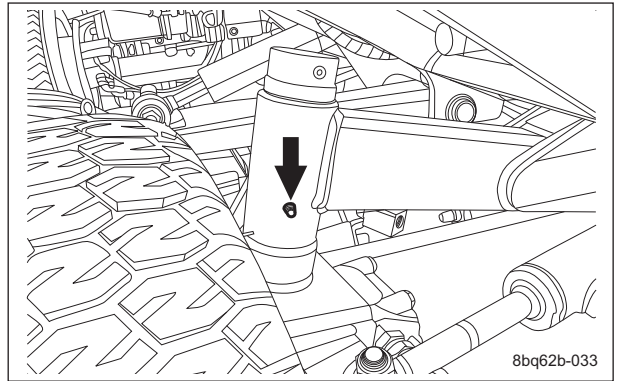


Greasing Points\_009

8bq62b-031

1	Grease nipple (3 locations)
---	-----------------------------

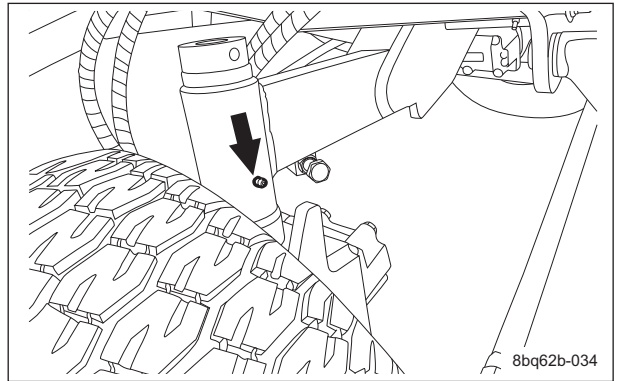
### Rear left wheel



Greasing Points\_011

8bq62b-033

### Rear right wheel



Greasing Points\_012

8bq62b-034

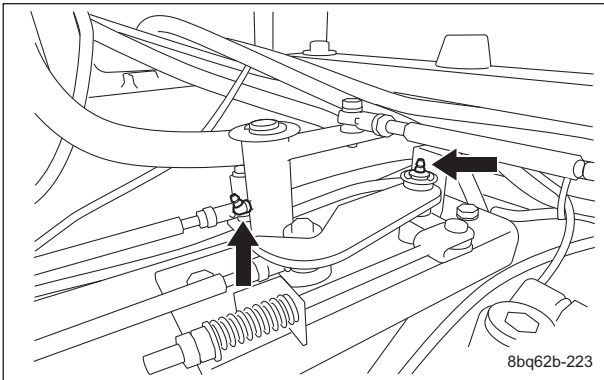
Maintenance

# Maintenance

---

## 6. Neutral position area

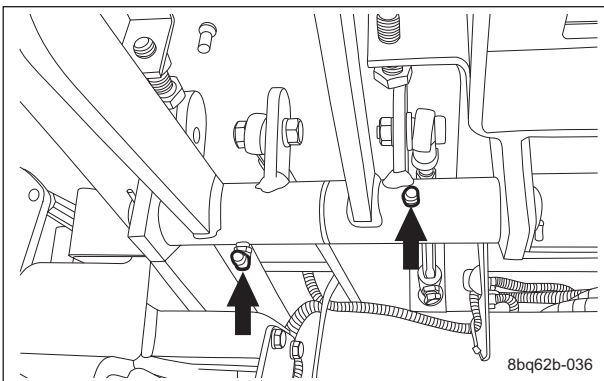
There are two locations.



Greasing Points\_013

## 7. Traveling pedal shaft fulcrum

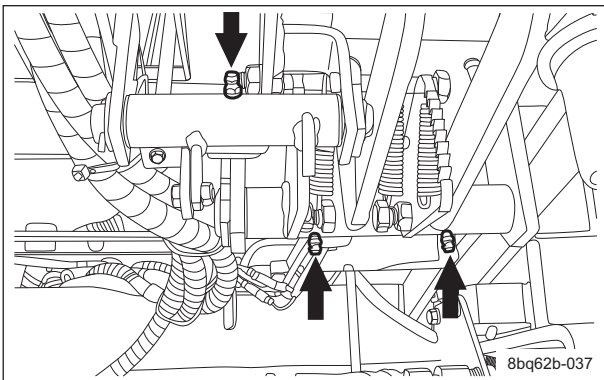
There are two locations.



Greasing Points\_014

## 8. Foot brake

There are three locations.



Greasing Points\_015

## Maintenance (Mower)

### Change of Rotary Knife

**⚠ Danger**

The rotary knife is an edged tool. Take extra care in handling since they could cut your hands or legs.

**⚠ Danger**

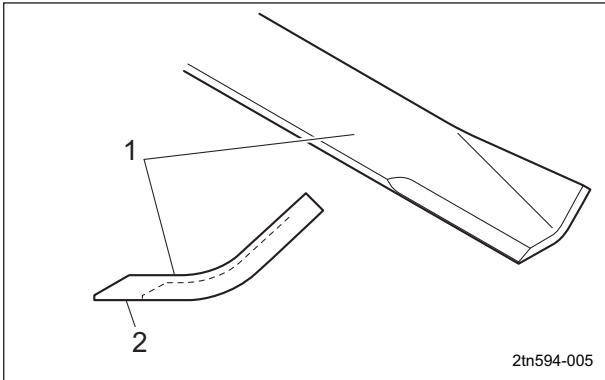
If the rotary knife becomes worn or damaged, a crack or tear between the sail and flat part will result. Take extra care since a broken piece of the rotary knife may fly off while it is rotating.

**⚠ Caution**

When touching edged tools, wear gloves, since they could cut your hands.

**⚠ Caution**

The rotary knife has a specific installation direction. Do not install it facing the wrong direction.



Replacement of Rotary Knife\_001

1	Rotary knife top side
2	Rotary knife bottom side

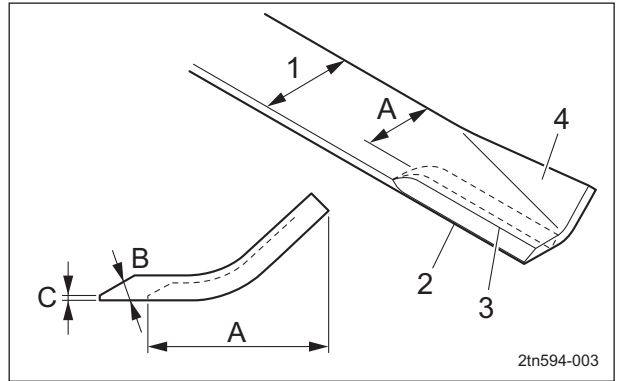
**Important**

Before installing the rotary knife, make sure that it is balanced.

If the edge of the rotary knife becomes chipped or thin, replace it with a new one.

The criteria for replacing the rotary knife are described below.

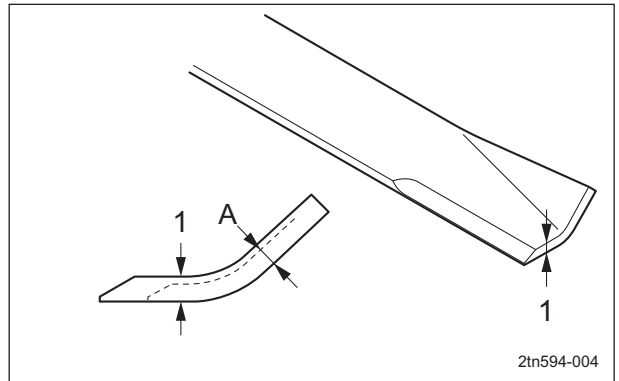
1. When the narrowest part of the rotary knife has a width of less than 2/3 of the width of a new knife



Replacement of Rotary Knife\_002

1	Total width
2	Blade edge
3	Blade base
4	Sail
A	less than 2/3
B	30 - 40°
C	0.5 - 1.0 mm

2. When the thinnest part of the rotary knife has a thickness of less than 1/3 of the thickness of a new knife



Replacement of Rotary Knife\_003

1	Thickness
A	less than 1/3

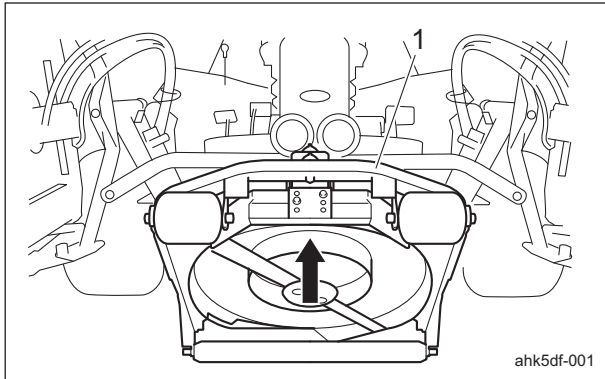
### Mower unit #1

1. Start the engine, and then raise the mower units.
2. Stop the engine, and then remove the key.

Maintenance

# Maintenance

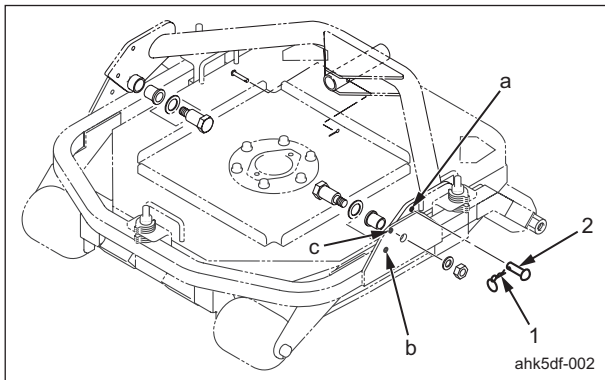
## 3. Lift the mower unit at the front.



Mower unit #1\_001

1	Mower unit
---	------------

## 4. Remove the cotter pin and hardened roundhead pin inserted at a, and then insert them at b.



Mower unit #1\_002

1	Cotter pin
2	Hardened roundhead pin

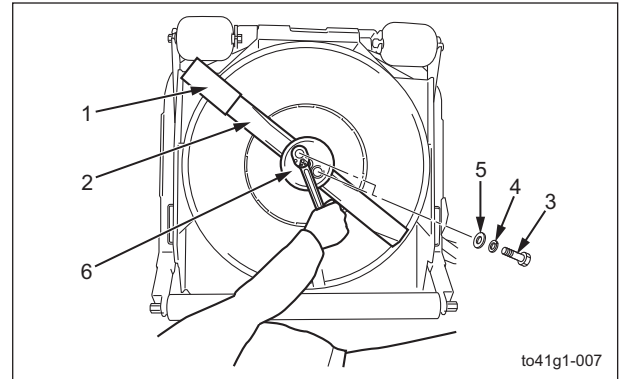
## 5. Follow the steps below to remove the rotary knife.

[1] Use the square pipe from the included tools to secure the rotary knife so that it does not turn.

[2] Remove the two bolts, spring washers and washers used to install the rotary knife.

[3] Remove the knife guide.

## [4] Remove the rotary knife.



Mower unit #1\_003

1	Square pipe
2	Rotary knife
3	Bolt
4	Spring washer
5	Washer
6	Knife guide

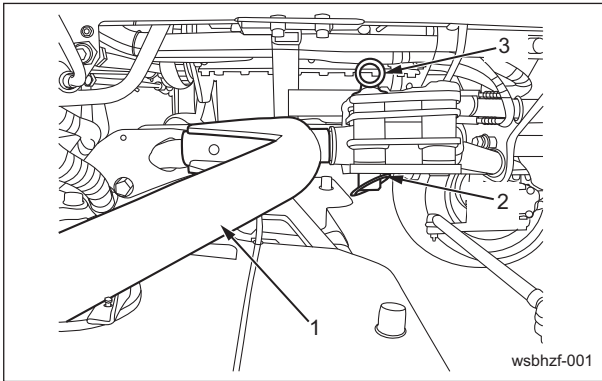
**Important**

The tightening torque for the knife mounting bolt is 67 - 85 N-m (683.20 - 866.75 kgf-cm).

- 6. Install the rotary knife.  
For installing the rotary knife, reverse the removing procedure.

### Mower Units #2/#3

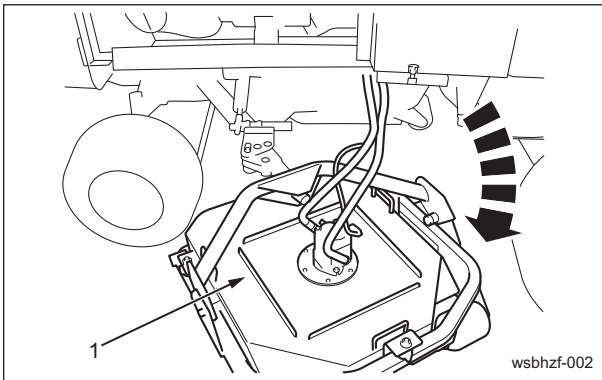
- 1. Remove the clip pin installed on the mower arm, and then pull out the grip pin.



Mower Units #2/#3\_001

1	Mower arm
2	Clip pin
3	Grip pin

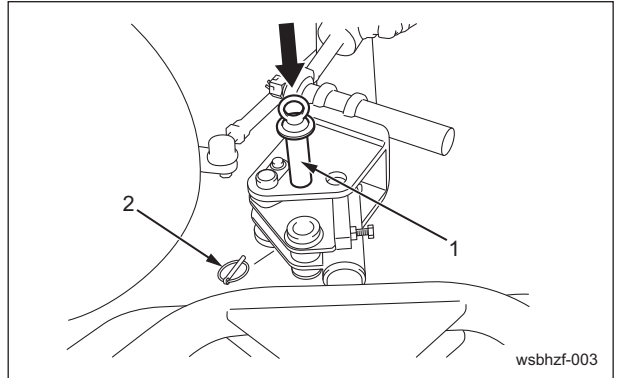
- 2. Pull out the mower unit.



Mower Units #2/#3\_002

1	Mower unit
---	------------

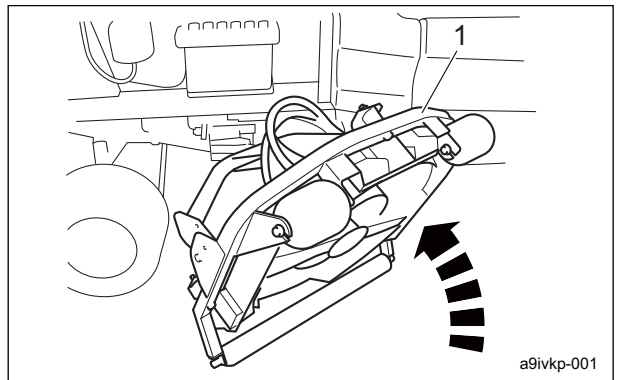
- 3. Install the grip pin and clip pin in the mounting hole for maintenance.



Mower Units #2/#3\_003

1	Grip pin
2	Clip pin

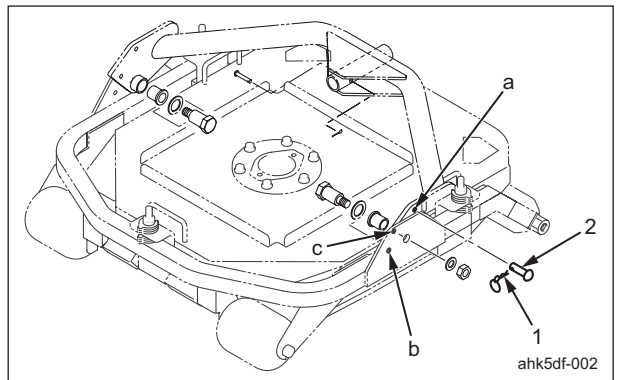
- 4. Start the engine, and then raise the mower units.
- 5. Stop the engine, and then remove the key.
- 6. Lift the mower unit at the front.



Mower Units #2/#3\_004

1	Mower unit
---	------------

- 7. Remove the cotter pin and hardened roundhead pin inserted at a, and then insert them at b.



Mower Units #2/#3\_005

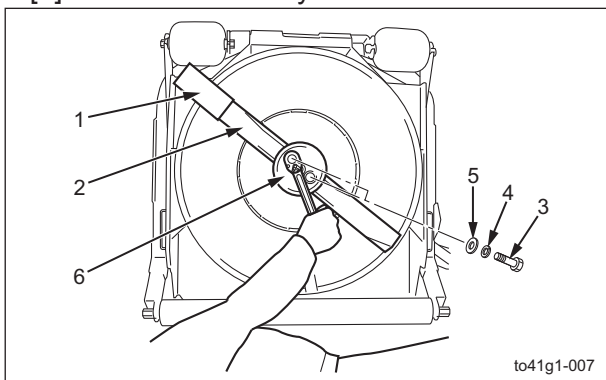
1	Cotter pin
2	Hardened roundhead pin

Maintenance

# Maintenance

8. Follow the steps below to remove the rotary knife.

- [1] Use the square pipe from the included tools to secure the rotary knife so that it does not turn.
- [2] Remove the two bolts, spring washers and washers used to install the rotary knife.
- [3] Remove the knife guide.
- [4] Remove the rotary knife.



Mower Units #2/#3\_006

1	Square pipe
2	Rotary knife
3	Bolt
4	Spring washer
5	Washer
6	Knife guide

### Important

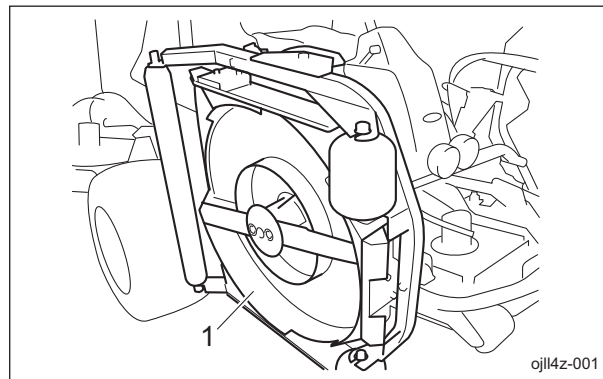
The tightening torque for the knife mounting bolt is 67 - 85 N-m (683.20 - 866.75 kgf-cm).

9. Install the rotary knife.

For installing the rotary knife, reverse the removing procedure.

## Mower Units #4/#5

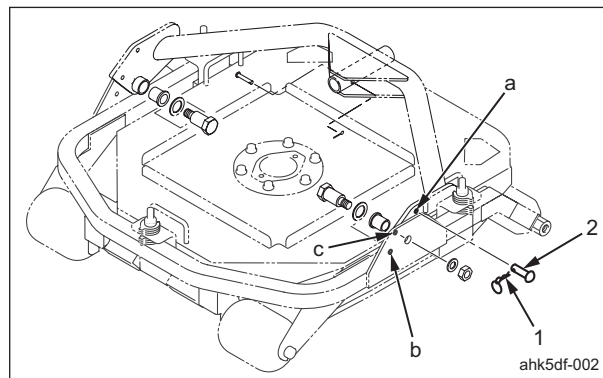
1. Start the engine, and then raise the mower units.



Mower Units #4/#5\_001

1	Mower unit
---	------------

2. Stop the engine, and then remove the key.
3. Remove the cotter pin and hardened roundhead pin inserted at a, and then insert them at c.



Mower Units #4/#5\_002

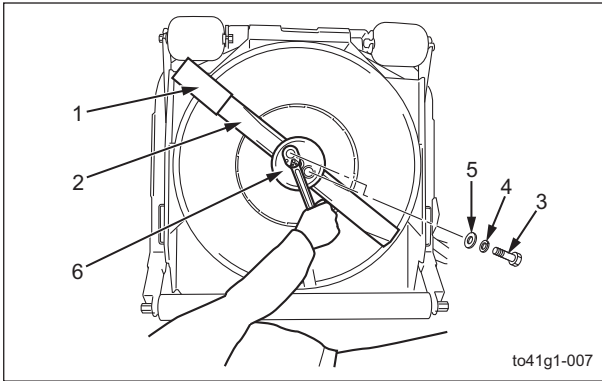
1	Cotter pin
2	Hardened roundhead pin

4. Follow the steps below to remove the rotary knife.

- [1] Use the square pipe from the included tools to secure the rotary knife so that it does not turn.
- [2] Remove the two bolts, spring washers and washers used to install the rotary knife.
- [3] Remove the knife guide.



[4] Remove the rotary knife.



Mower Units #4/#5\_003

1	Square pipe
2	Rotary knife
3	Bolt
4	Spring washer
5	Washer
6	Knife guide

**Important**

The tightening torque for the knife mounting bolt is 67 - 85 N-m (683.20 - 866.75 kgf-cm).

5. Install the rotary knife.  
For installing the rotary knife, reverse the removing procedure.

## Sharpening of Rotary Knife

**⚠ Danger**

The rotary knife is an edged tool. Handle it carefully, since it could cut your hands or legs.

**⚠ Danger**

If the rotary knife becomes worn or damaged, a crack or tear between the sail and flat part will result. Since a piece of the rotary knife may break and fly off while it is rotating, be extremely careful.

**⚠ Warning**

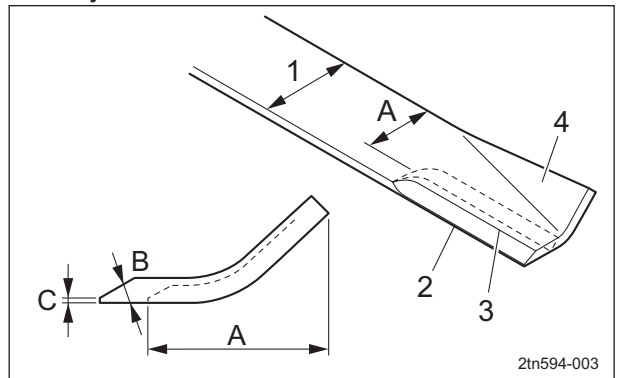
Using an imbalanced rotary knife may cause vibrations, resulting in damage to the machine.

**⚠ Caution**

When sharpening the rotary knife, be sure to wear safety glasses and gloves.

When the edge of the rotary knife becomes rounded and no longer cuts well, sharpen the rotary knife by grinding the worn cutting edge with a grinder or sander. If the edge of the rotary knife becomes chipped or thin, replace it with a new one. The criteria for sharpening the rotary knife is described below.

1. When, after grinding, the width of the rotary knife to the blade edge is 2/3 or more of the total width of a new knife
2. When, after grinding, the blade base of the rotary knife does not reach the sail

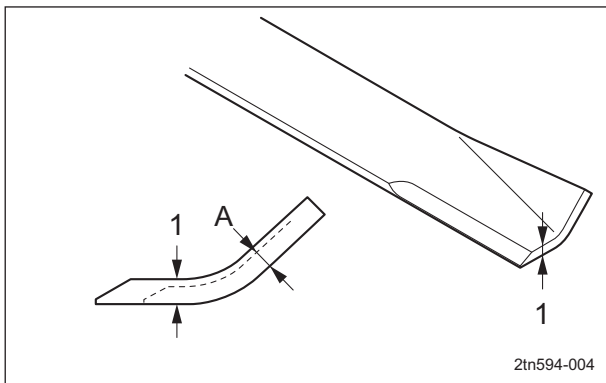


Sharpening of Rotary Knife\_001

# Maintenance

1	Total width
2	Blade edge
3	Blade base
4	Sail
A	2/3 or more
B	30 - 40°
C	0.5 - 1.0 mm

3. When the thinnest part of the rotary knife has a thickness of 1/3 or more of the thickness of a new knife



Sharpening of Rotary Knife\_002

1	Thickness
A	1/3 or more

Follow the steps below to grind the rotary knife.

1. Remove the rotary knife from the machine. (See "Change of Rotary Knife" (Page 6-19) .)

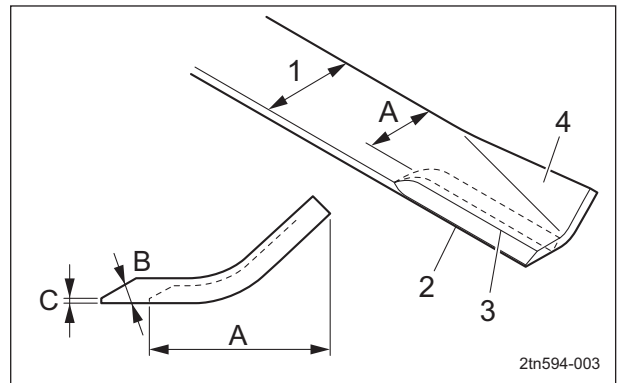
**Important**

Grind only the top surface of the edge, and be sure to maintain the original angle.

By equally grinding the left and right ends of the rotary knife, it can be sharpened without becoming imbalanced.

2. Grind the cutting edge of the rotary knife with a grinder.

Grind so that the edge angle is 30 - 40 degrees, the point thickness is 0.5 - 1.0 mm, and the blade base does not reach the sail.



Sharpening of Rotary Knife\_003

1	Total width
2	Blade edge
3	Blade base
4	Sail
A	2/3 or more
B	30 - 40°
C	0.5 - 1.0 mm

3. Balance the rotary knife. (See "Balancing of Rotary Knife" (Page 6-25) .)

4. If it is not balanced, repeat steps 2. - 3.

Note:

The original machine is equipped with rotary knives with total width of 65mm and thickness of 6mm.

## Balancing of Rotary Knife

**⚠ Danger**

The rotary knife is an edged tool. Take extra care in handling since they could cut your hands or legs.

**⚠ Danger**

Using an imbalanced rotary knife may cause vibrations, resulting in damage to the machine.

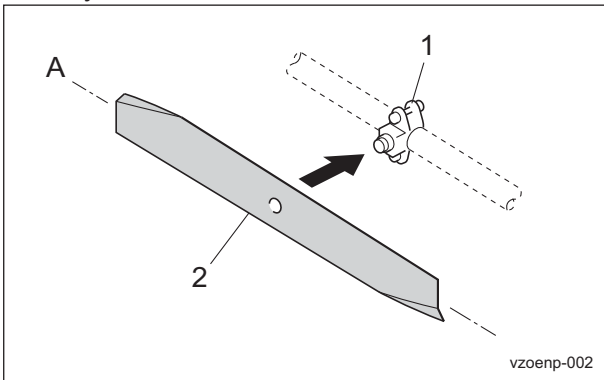
**⚠ Caution**

When touching edged tools, wear gloves, since they could cut your hands.

When the rotary knife is worn asymmetrically, causing vibrations, or when it becomes dull or worn, remove the rotary knife from the machine and balance it.

Follow the steps below to balance the rotary knife.

1. Remove the rotary knife from the machine. (See "Change of Rotary Knife" (Page 6-19) .)
2. Install the balancer equipment in an appropriate location.
3. Fit the hole at the center of the rotary knife onto the balancer equipment, and then balance the left and right ends so that the rotary knife is level.



Balancing of Rotary Knife\_001

1	Balancer equipment
2	Rotary knife
A	Level

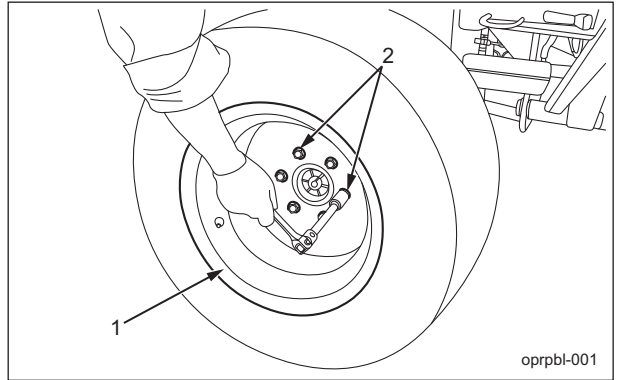
## Maintenance (Main Body)

### Removing/Installing Tires

#### Front Tires

Follow the steps below to remove the front tires:

1. Loosen the bolts.



Front Tires\_001

1	Front tire
2	Heat-treated bolt

2. Securely place the jack beneath the jack-up point of the front left/right frame area, and then raise it until the tire lifts off the ground. (See "Jack-up Points" (Page 6-13) .)
3. Remove the bolts.
4. Remove the tire from the wheel mounting seat.

**⚠ Caution**

Refer to the Tightening Torque table. Note that the Baroness product warranty may not apply to defects caused by incorrect or overtorque tightening etc.

**Important**

Tighten the bolts in the tightening order (crosswise).

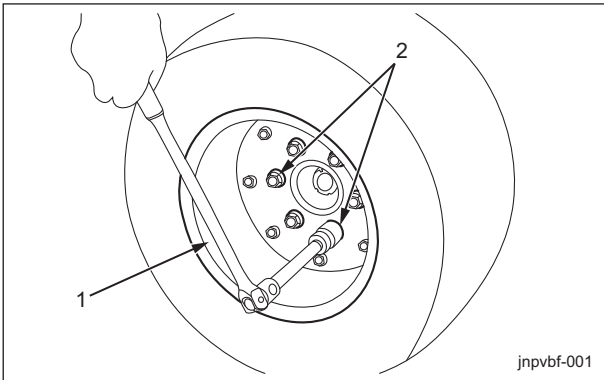
For installing the front tires, reverse the removing procedure.

# Maintenance

## Rear tire

Follow the steps below to remove the rear tire.

1. Loosen the bolts.



Rear Tires\_001

1	Rear tire
2	Heat-treated bolt

2. Securely place the jack beneath the jack-up point below the rear wheel motor, and then raise it until the tire lifts off the ground. (See "Jack-up Points" (Page 6-13) .)
3. Remove the bolts.
4. Remove the tire from the wheel mounting base.

### Caution

Refer to the Tightening Torque table. Note that the Baroness product warranty may not apply to defects caused by incorrect or overtorque tightening, etc.

### Important

Tighten the bolts in the tightening order (diagonally).

For installing the rear tire, reverse the removing procedure.

## Adjustment of Belt Tension

### Caution

Be sure to stop the engine before adjusting the belts.

### Important

Make sure that the belt has the specified amount of tension.

If the belt becomes slack due to frequent use, it may jump or slip. In addition, if it is overtightened, it may wear prematurely. If necessary, adjust it, and always check the belt for appropriate tension.

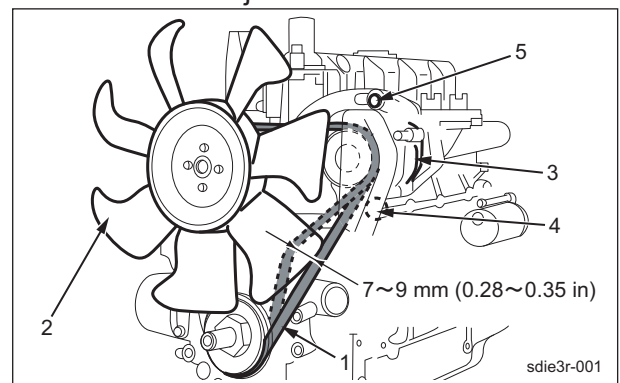
## Fan Belt

### Caution

Be sure to stop the engine before adjusting the belts.

For details on handling the engine, please refer to the Engine's Owner's Manual.

1. Press the middle of the belt with your finger to check the belt tension.
2. If the belt is too slack, loosen bolts A and B (that affix the alternator), and then move the alternator to adjust the tension.



Fan Belt\_001

1	Fan belt
2	Blade
3	Alternator
4	Bolt A
5	Bolt B

## Adjustment of Brake

### **⚠ Danger**

Make sure that the brake wire is not cracked or damaged.

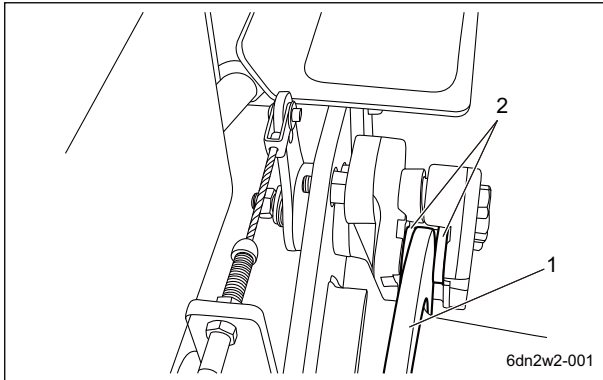
### Important

If the brake is not sufficiently effective due to a wider clearance gap between the brake disc and the brake lining, adjust the clearance. The wire is used for fine adjustments.

### Important

Adjust the brake with the brake lining.

The brake lining wear limit is 3.0 mm (0.12 in).



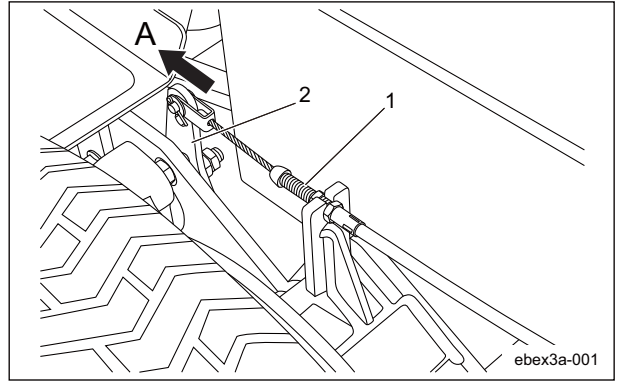
Adjustment of Brake\_001

1	Brake disc
2	Brake lining

### **⚠ Caution**

Make sure that the lever is maintained in the open position (neutral).

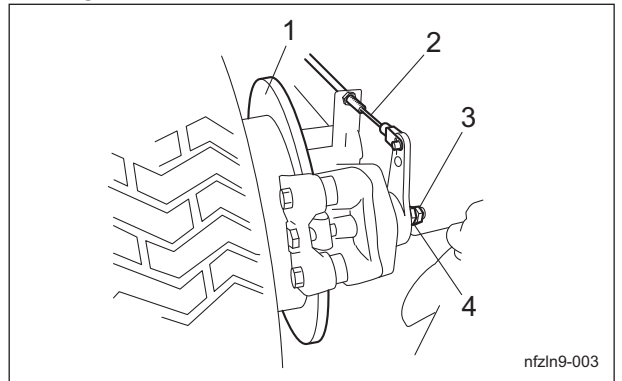
1. For each wheel, fully tighten the adjustment bolt on the brake disc side.



Adjustment of Brake\_002

1	Adjustment bolt (on brake disc side)
2	Lever
A	Open (neutral)

2. Reduce the clearance by loosening the lock nut, then tightening the adjustment nut. Tighten the adjustment nut until the brake lining contacts the friction surface of the disc.



Adjustment of Brake\_003

1	Brake disc
2	Wire
3	Lock nut
4	Adjustment nut

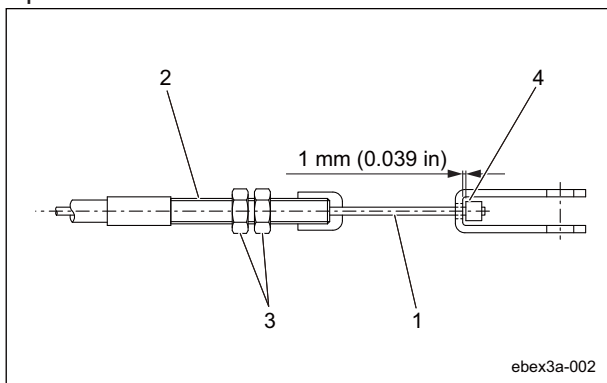
### **⚠ Danger**

Too narrow clearance gap between the brake disc and brake lining may cause heat generation and fire.

3. Loosen the adjustment nut to adjust the clearance gap between the brake disc and brake lining to about 0.2 mm (0.0079 in).

# Maintenance

4. Securely place the jack beneath the jack-up point of the front left/right frame area, and then raise it until both tires lift off the ground.
5. Check that the disc rotates freely.
6. Fully tighten the lock nut while holding the adjustment nut in place.
7. With the brake pedal released, obtain a play of 1.0 mm (0.039 in) at the connection of the pedal and inner wire.



Adjustment of Brake\_004

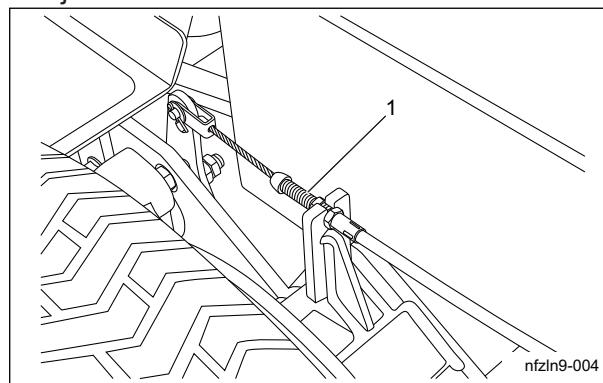
1	Inner wire
2	Adjustment bolt
3	Lock nut
4	Connection

8. Use a wrench to loosen the lock nut and tighten it after making the adjustment with the adjustment bolt.
9. Link the left and right brake pedals.
10. Drive, and then check the following.
  - Make sure that heat is not generated in the brake area.
  - Make sure that the left and right brakes are equally effective.

## **⚠ Danger**

It would be extremely dangerous and may result in an unexpected accident if the left and right brakes are not equally effective.

11. If the left and right brakes are not equally effective, make fine adjustments with the adjustment bolt on the brake disc side.



Adjustment of Brake\_005

1	Adjustment bolt (on brake disc side)
---	--------------------------------------

## Break-in of Brakes

If the brake shoes or brake pads are worn, replace them with new ones.

Immediately after replacement, drive to break in the brakes if the effectiveness of the brakes is low.

While driving, lightly operate the brakes to break in the contact areas.

## Adjusting the Neutral Position of the Piston Pump

### **⚠ Caution**

Make sure not to touch rotating tires.

### **⚠ Caution**

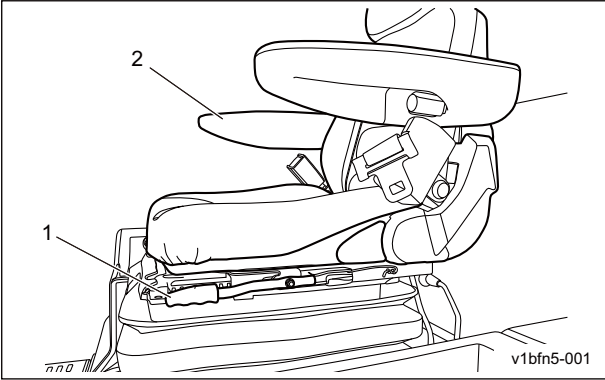
When adjusting the neutral position, pay close attention to abrupt start of the machine. Place the jacks beneath the jack-up points, and then lift the machine until all the tires get off the ground.

If the machine moves forward or backward while the traveling pedals are released, they are not set to the neutral position.

Follow the steps below to make adjustments.

1. Stop the engine.
2. Place the jacks beneath the jack-up points, and then lift the machine off the ground.

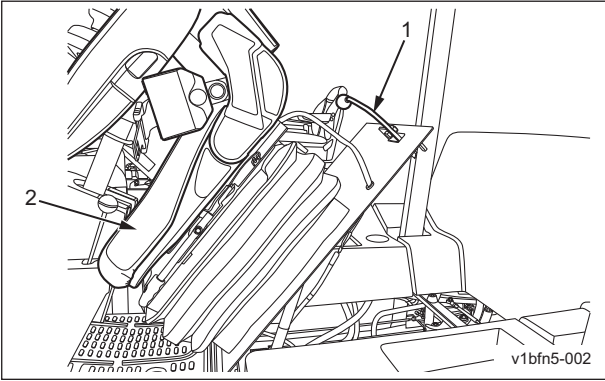
- 3. Make sure that no tires come into contact with the jack stand.
- 4. Pull up the forward/backward adjustment lever, and then slide the seat backward completely.



Adjusting the Neutral Position of the Piston Pump\_001

1	Forward/backward adjustment lever
2	Seat

- 5. While pulling up the lever, tilt the seat upward.

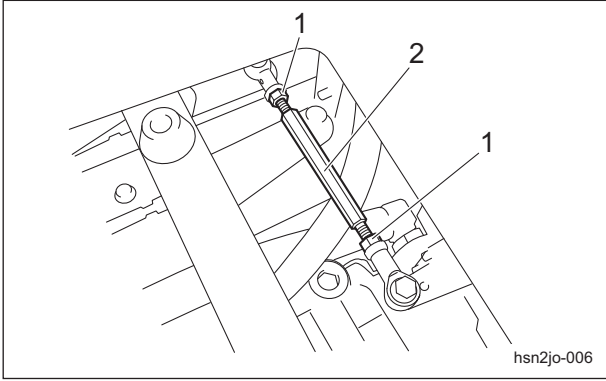


Adjusting the Neutral Position of the Piston Pump\_002

1	Lever
2	Seat

- 6. Start the engine, and rev it up to the maximum rpm.
- 7. Set the 2WD/4WD selector switch to the "2WD" position.
- 8. Adjust the neutral position.
  - [1] If the front tires rotate forward, loosen the lock nuts, and then turn the neutral adjustment rod to shorten it.

- [2] If the front tires rotate in reverse, loosen the lock nuts, and then turn the neutral adjustment rod to extend it.



Adjusting the Neutral Position of the Piston Pump\_003

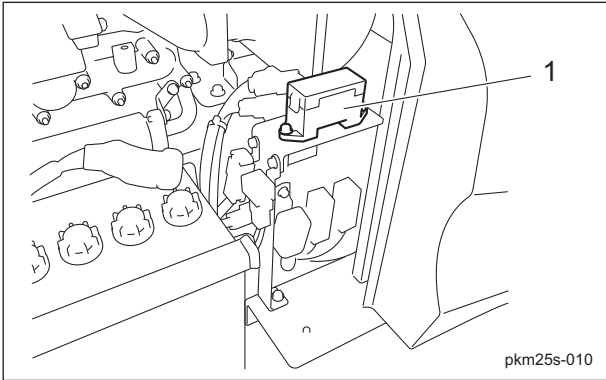
1	Lock nut
2	Neutral adjustment rod

- 9. Find the position where the front wheels stop, and then tighten the lock nuts.

### Change of Fuse

#### Fuse box

The fuse box includes spare fuses and tools.

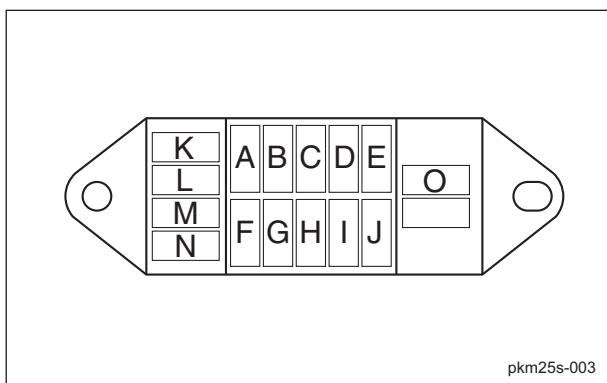


Fuse Box\_001

1	Fuse box
---	----------

The machine uses a mini fuse for automobiles. Replace an old fuse with a new fuse of the specified capacity.

# Maintenance

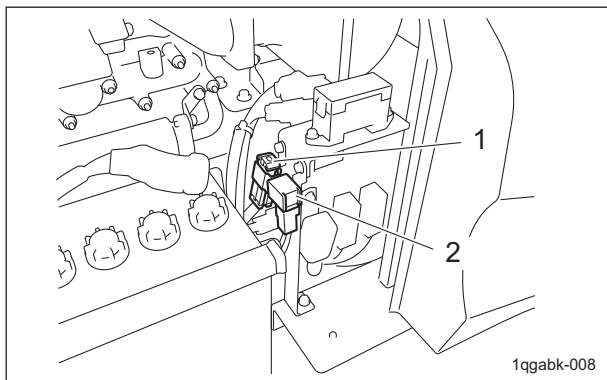


Fuse Box\_002

A	5 A	ECU_KeySwitch_ON
B	5 A	Alternator
C	5 A	Display
D	15 A	Relay box 1(differential lock switch, assist switch)
E	15 A	Relay box 2 (2WD/4WD selector switch, #4/#5 proximity switches)
F	-	-
G	5 A	ECU_KeySwitch_Start
H	5 A	ECU_Parked Regeneration Switch/Auto Regeneration Inhibit Switch
I	5 A	Operating oil buzzer
J	5 A	Water temperature buzzer
K	5 A	Spare
L	5 A	
M	15 A	
N	15 A	
O		Fuse removal tool

## Fusible Link

Fuse capacities of the fusible links are 30 A and 50 A.



Fusible Link\_001

1	Fusible link (50 A)
2	Fusible link (30 A)

## Long-Term Storage

### Before Long-Term Storage

- Remove dirt, grass clippings, debris, oil stains etc. completely.
- Supply oil and apply grease to appropriate parts.
- Remove the negative terminal of the battery.



**EU Declaration of Conformity****Product Identification**

Product : Lawnmower  
Make : BARONESS  
Type : GM2810  
Version(s) : Not Applicable  
Starting Serial No. : 10026  
Measured Sound Power Level : LWA 102.25 dB  
Guaranteed Sound Power Level : LWA 105 dB  
Manufacturer Name : Kyoeshisa Co., Ltd.  
Address : 1-26 Miyuki-cho, Toyokawa, Aichi-pref., Japan

**Conforms to the following Directives**

2006/42/EC Machinery (MD)  
2014/30/EU Electromagnetic compatibility (EMC)  
2000/14/EC Noise emissions from outdoor equipment

**We has been designed and manufactured using the following specifications**

ISO 12100 : 2010 (2006/42/EC)  
ISO 5395-1 : 2013 (2006/42/EC)  
ISO 5395-3 : 2013 (2006/42/EC)  
ISO 14982 : 1998 (2014/30/EU)

**Technical Documentation**

Keeper's Name : Kyoeshisa Co., Ltd.  
Keeper's Address : 1-26 Miyuki-cho, Toyokawa, Aichi-pref., Japan

**Compiler of the technical file (2006/42/EC)**

Name : Kyoeshisa U.K.Ltd.  
Address : Unit 5 Hatch Industrial Park Grewell Road, Basingstoke Hampshire RG24 7NG, the United Kingdom

**Conformity assessment procedures**

Internal production control : Module A (2006/42/EC)  
EC-type examination : Module B (2014/30/EU)  
Internal control of production with assessment of technical documentation and periodical checking (2000/14/EC)

**Involved Notified Body (2000/14/EC)**

Name : SNCH  
Address : 11, Route de Sandweiler 5230 Sandweiler Luxembourg  
Certificate / Report No. : SNCH\*2000/14\*2005/88\*2910\*00/TCGM2810-00

Place : Japan  
Date : 6 July 2016 (06 / 07 / 2016)

Signature :   
Name : Kimiya Kaneko  
Position : Quality Dept. Manager

(fr)

**Déclaration de conformité UE****Identification du produit**

Produit : Tondeuse à gazon  
Fabriquant : BARONESS  
Type : GM2810  
Version(s) : Non applicable  
Numéro de série de début : 10026  
Niveau de puissance acoustique mesuré : LwA 102.25 dB  
Niveau de puissance acoustique garanti : LwA 105 dB  
Fabricant Nom : Kyoeshisa Co., Ltd.  
Adresse : 1-26, Miyuki-cho, Toyokawa, préfecture d'Aichi, Japon

**Conforme aux directives suivantes :**

2006/42/CE Machine (MD)  
2014/30/UE Compatibilité électromagnétique (CEM)  
2000/14/CE Émissions sonores de l'équipement de plein air

**Conception et fabrication en respect des spécifications suivantes :**

ISO 12100 : 2010 (2006/42/CE)  
ISO 5395-1 : 2013 (2006/42/CE)  
ISO 5395-3 : 2013 (2006/42/CE)  
ISO 14982 : 1998 (2014/30/UE)

**Fiche technique**

Marque : Kyoeshisa Co., Ltd.  
Adresse de la marque : 1-26, Miyuki-cho, Toyokawa, préfecture d'Aichi, Japon  
Compilateur de la fiche technique (2006/42/CE)  
Nom : Kyoeshisa U.K. Ltd.  
Adresse : Unit 5 Hatch Industrial Park Greywell Road, Basingstoke Hampshire RG24 7NG, Royaume-Uni

**Procédures d'évaluation de la conformité**

Contrôle de production interne : module A (2006/42/CE)  
Examen de type CE : module B (2014/30/UE)  
Contrôle interne de la production avec évaluation de la fiche technique et vérification périodique (2000/14/CE)

**Organisme notifié impliqué (2000/14/CE)**

Nom : SNCH  
Adresse : 11, Route de Sandweiler 5230 Sandweiler, Luxembourg  
N° de certificat/rapport : SNCH\*2000/14\*2005/88\*2910\*00/TCGM2810-00

## Declaración de conformidad de la UE

### Identificación del producto

**Producto:** Cortacésped  
**Marca:** BARONESS  
**Tipo:** GM2810  
**Versión:** No aplicable  
**N.º de serie inicial:** 10026  
**Nivel de potencia sonora medido:** LWA 102.25 dB  
**Nivel de potencia sonora garantizado:** LWA 105 dB  
**Fabricante**      **Nombre:** Kyoeshia Co., Ltd.  
                          **Dirección:** 1-26 Miyuki-cho, Toyokawa, Aichi-pref., Japón

### Cumple las siguientes Directivas

2006/42/CE      Maquinaria (MD)  
 2014/30/UE      Compatibilidad electromagnética (EMC)  
 2000/14/CE      Emisiones sonoras de máquinas de uso al aire libre

### Se ha diseñado y fabricado utilizando las siguientes especificaciones

ISO 12100 : 2010 (2006/42/CE)  
 ISO 5395-1 : 2013 (2006/42/CE)  
 ISO 5395-3 : 2013 (2006/42/CE)  
 ISO 14982 : 1998 (2014/30/UE)

### Documentación técnica

**Nombre del responsable:** Kyoeshia Co., Ltd.  
**Dirección del responsable:** 1-26 Miyuki-cho, Toyokawa, Aichi-pref., Japón

### Compilador del archivo técnico (2006/42/CE)

**Nombre:** Kyoeshia U.K. Ltd.  
**Dirección:** Unit 5 Hatch Industrial Park Greywell Road, Basingstoke Hampshire RG24 7NG, Reino Unido

### Procedimientos de evaluación de conformidad

**Control de fabricación interno:** Módulo A (2006/42/CE)  
**Examen de tipo CE:** Módulo B (2014/30/UE)  
**Control interno de fabricación con evaluación de documentación técnica y comprobaciones periódicas** (2000/14/CE)

### Organismo notificado implicado (2000/14/CE)

**Nombre:** SNCH  
**Dirección:** 11, Route de Sandweiler 5230 Sandweiler Luxemburgo  
**Certificado/Informe n.º:** SNCH\*2000/14\*2005/88\*2910\*00/TCGM2810-00

## EU-Konformitätserklärung

### Produktbeschreibung

**Produkt:** Rasenmäher  
**Marke:** BARONESS  
**Modell:** GM2810  
**Version(en):** Nicht zutreffend  
**Startseriennummer:** 10026  
**Gemessener Schalleistungspegel:** LWA 102.25 dB  
**Garantierter Schalleistungspegel:** LWA 105 dB  
**Hersteller**      **Name:** Kyoeshia Co., Ltd.  
                          **Adresse:** 1-26 Miyuki-cho, Toyokawa, Aichi-pref., Japan

### Entspricht den folgenden Richtlinien

2006/42/EG      Maschinenrichtlinie  
 2014/30/EU      Elektromagnetische Verträglichkeit (EMV)  
 2000/14/EG      Geräuschemission von im Freien betriebenen Geräten

### Unter Anwendung der folgenden Bestimmungen entwickelt und hergestellt

ISO 12100 : 2010 (2006/42/EG)  
 ISO 5395-1 : 2013 (2006/42/EG)  
 ISO 5395-3 : 2013 (2006/42/EG)  
 ISO 14982 : 1998 2014/30/EU)

### Technische Dokumentation

**Name des Halters**      Kyoeshia Co., Ltd.  
**Adresse des Halters**      1-26 Miyuki-cho, Toyokawa, Aichi-pref., Japan

### Technische Unterlagen erstellt von (2006/42/EG)

**Name:** Kyoeshia U.K. Ltd.  
**Adresse:** Unit 5 Hatch Industrial Park Greywell Road, Basingstoke Hampshire RG24 7NG, Großbritannien

### Konformitätsbewertungsverfahren

**Interne Produktionskontrolle :** Modul A (2006/42/EG)  
**EG-Baumusterprüfung :** Modul B (2014/30/EU)  
**Interne Produktionskontrolle mit Bewertung der technischen Unterlagen und regelmäßiger Überprüfung** (2000/14/EG)

### Beteiligte benannte Stelle (2000/14/EG)

**Name:** SNCH  
**Adresse :** 11, Route de Sandweiler 5230 Sandweiler Luxemburg  
**Bescheinigung/Bericht Nr. :** SNCH\*2000/14\*2005/88\*2910\*00/TCGM2810-00

## EU-försäkran om överensstämmelse

### Produktidentifikation

Produkt :	Gräsklippare
Märke:	BARONESS
Typ:	GM2810
Version(er):	Ej aktuellt
Serienummer startar på:	10026
Uppmätt ljudeffektnivå:	LWA            102.25    dB
Garanterad ljudeffektnivå:	LWA            105            dB
Tillverkare	Namn:            Kyoeshisa Co., Ltd.
	Adress:          1-26 Miyuki-cho, Toyokawa, Aichi-pref., Japan

### Uppfyller följande direktiv

2006/42/EG	Maskindirektivet
2014/30/EU	Elektromagnetisk kompatibilitet (EMC)
2000/14/EG	Bulleremission från utomhusutrustning

### Följande kravspecifikationer har följts vid konstruktion och tillverkning

ISO 12100 : 2010 (2006/42/EG)  
 ISO 5395-1 : 2013 (2006/42/EG)  
 ISO 5395-3 : 2013 (2006/42/EG)  
 ISO 14982 : 1998 (2014/30/EU)

### Teknisk dokumentation

Innehavarens namn:	Kyoeshisa Co., Ltd.
Innehavarens adress:	1-26 Miyuki-cho, Toyokawa, Aichi-pref., Japan

### Den tekniska filen(2006/42/EG) har tagits fram av

Namn:	Kyoeshisa U.K.Ltd.
Adress:	Unit 5 Hatch Industrial Park Grewell Road, Basingstoke Hampshire RG24 7NG, Storbritannien

### Förfarande för bedömning av överensstämmelse

Intern produktionskontroll: Modul A (2006/42/EG)  
 EG-typprovning: Modul B (2014/30/EU)  
 Intern kontroll av produktion med fastställande av teknisk dokumentation och periodiska kontroller (2000/14/EG)

### Anmält organ (2000/14/EG)

Namn:	SNCH
Adress:	11, Route de Sandweiler 5230 Sandweiler Luxembourg
Certifikatnummer/rapportnummer:	SNCH*2000/14*2005/88*2910*00/TCGM2810-00

# MEMO

**BARONESS**<sup>®</sup>  
Quality on Demand

 **KYOEISHA CO., LTD.**  
Head Office 1-26, Miyuki-cho, Toyokawa, Tel : (0533) 84-1390  
Aichi-Pref. 442-8530 Japan. Fax : (0533) 89-3623