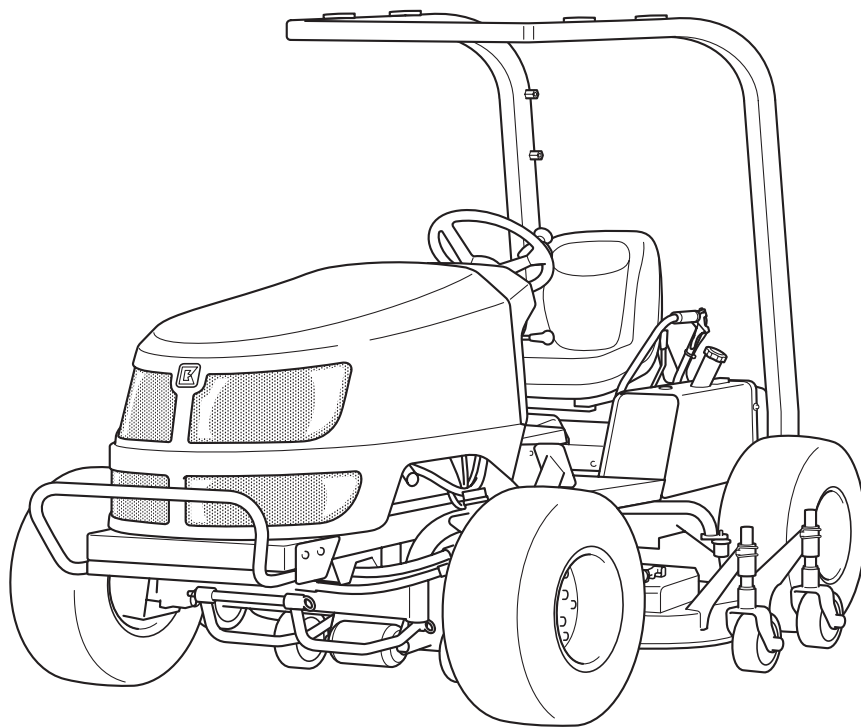


# ***GM1700***

3-Unit Mid-Mount Rotary Mower

## Parts catalog



**BARONESS**<sup>®</sup>

Quality on Demand

Serial No.10001-

Ver.1.0

## Greeting

Thank you for purchasing Baroness machine.

This machine has been shipped from the factory after comprehensive test runs and inspections. However, the optimum performance of the machine depends on how you use and maintain it, including routine inspections, adjustments, and fuel supplies before and after the operation.

We hope you will use the machine safely, and take advantage of its best performance.

## Note

(For inquiry about this machine)

Since the type of machine may be changed sequentially, inform us of the type and the serial number.

The information described in this manual is subject to change without prior notice.

When replacing parts, be sure to use Baroness parts or parts designated by Kyo-eisha.

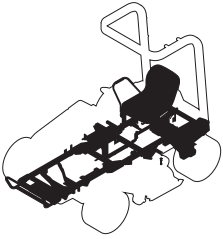
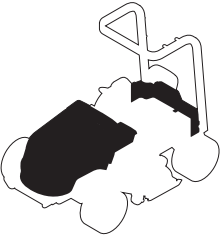
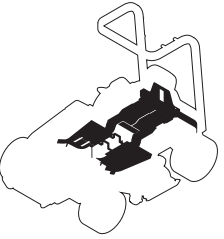
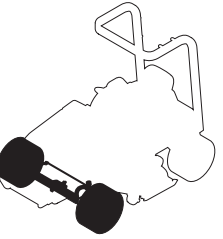
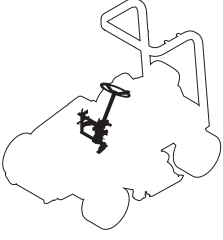
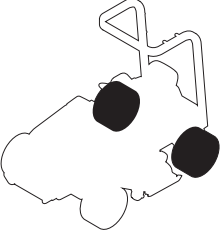
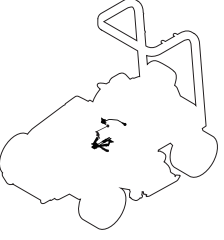
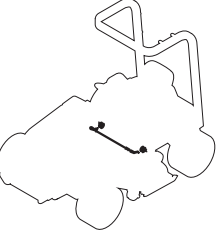
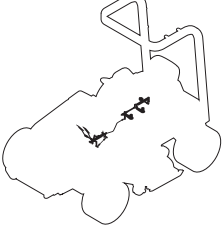
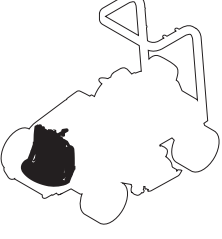
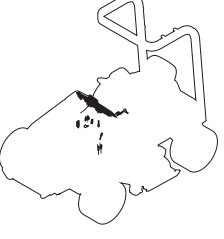
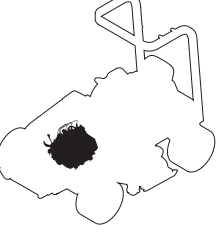
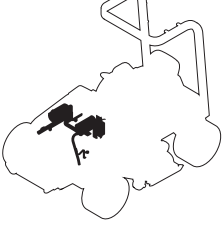
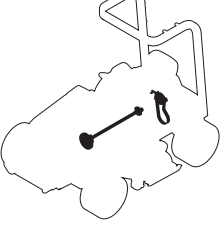
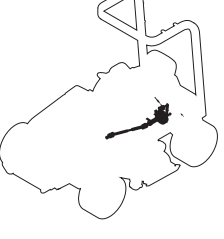
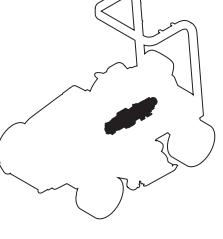
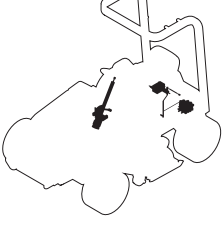
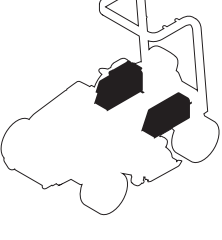
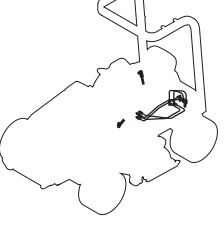
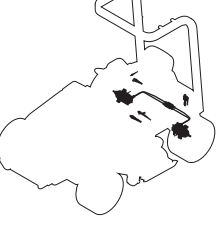
Note that the Baroness product warranty may not apply to defects caused by the use of parts from other companies.

(For ordering parts)

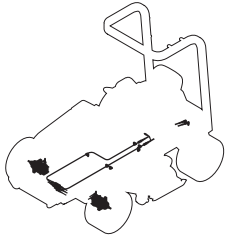
For prevention of delivery of wrong parts, be sure to inform us of the code number and the part name.

Example:	Code No.	Part Name	Qty
	GM1700-0301BD	FRAME	1

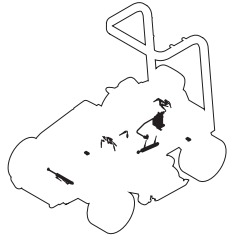
# Contents

<p>1. Frame section..... P5</p> 	<p>2. Cover section A ..... P7</p> 	<p>3. Cover section B ..... P9</p> 	<p>4. Front wheel section A ..... P11</p> 
<p>5. Front wheel section B ..... P13</p> 	<p>6. Rear wheel and brake section A..... P14</p> 	<p>7. Rear wheel and brake section B..... P16</p> 	<p>8. Transmission and lift section A..... P18</p> 
<p>9. Transmission and lift section B..... P18</p> 	<p>10. Engine section A .... P21</p> 	<p>11. Engine section B .... P23</p> 	<p>12. Engine section C .... P25</p> 
<p>13. Engine section D .... P27</p> 	<p>14. Transmission section A ..... P29</p> 	<p>15. Transmission section B ..... P31</p> 	<p>16. Hydraulic section A ..... P33</p> 
<p>17. Hydraulic section B ..... P34</p> 	<p>18. Hydraulic section C ..... P36</p> 	<p>19. Hydraulic section D ..... P37</p> 	<p>20. Hydraulic section E ..... P38</p> 

21. Hydraulic section F  
..... P40



22. Hydraulic section G  
..... P42



23a. ROPS section ..... P44

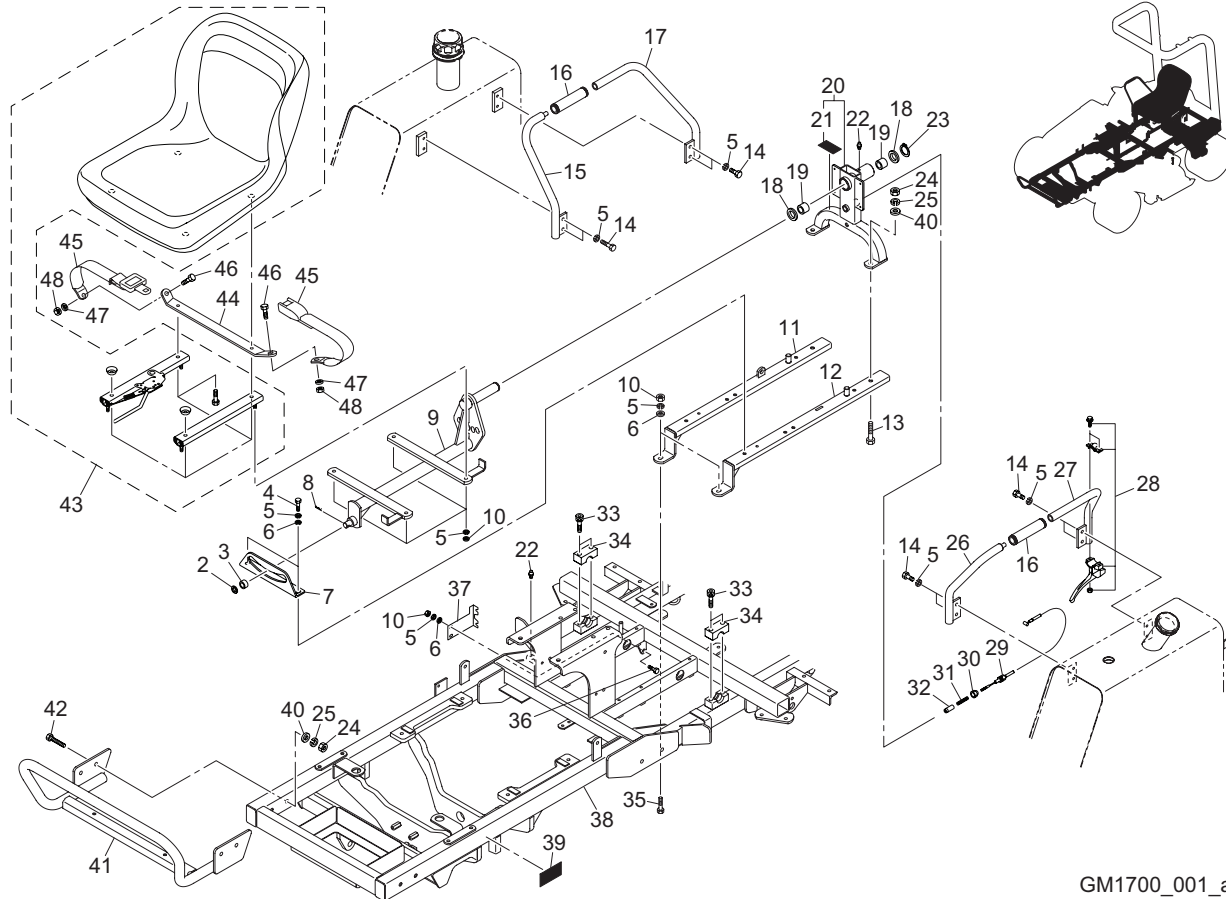


24. Accessory section .. P45

Maintenance supplies  
..... P46

# 1. Frame section

GM1700

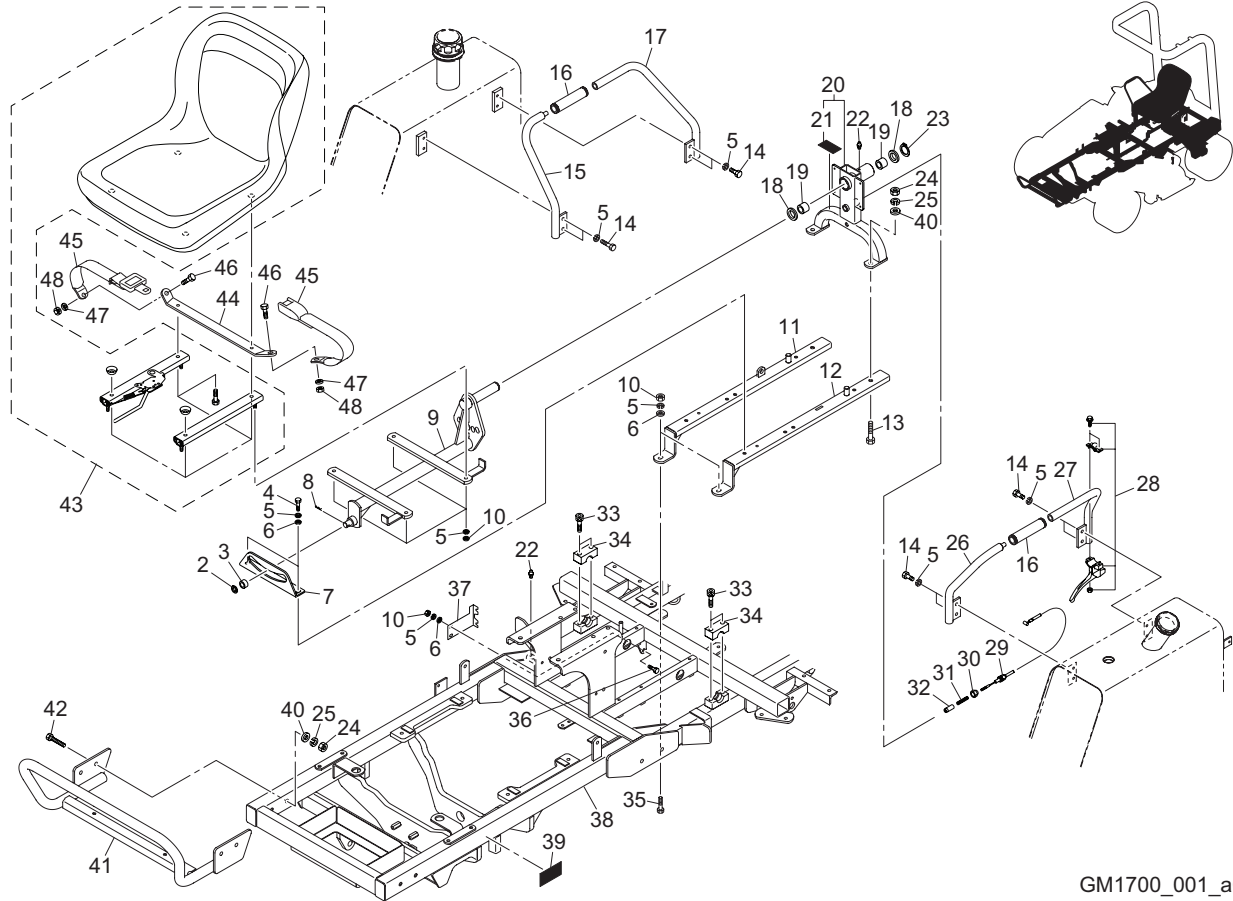


GM1700\_001\_a00

Cat No.	Code No.	Part name	Qty	Remark	SN of application
1a-1					
1-2	K5051016240	WASHER, C5191P 1-16-24	1		
1-3	K6212000742	COLLAR, STKM M16-25-13	1		
1-4	K0000080402	BOLT, M8-40	2		
1-5	K0200080002	WASHER, SPRING M8	14		
1-6	K5000080002	WASHER, M8	6		
1-7	GM1600-0306ZD	BRACKET	1		
1-8	K0300032252	PIN, COTTER M3.2-25	1		
1-9	GM1700-0305ZD	BRACKET, SEAT	1		
1-10	K0100080002	NUT, M8	4		
1-11	GM1700-0303ZD	BASE, SEAT (R)	1		
1-12	GM1700-0302ZD	BASE, SEAT (L)	1		
1-13	K0000100402	BOLT, M10-40	2		
1-14	K0000080152	BOLT, M8-15	8		
1-15	GM1700-0334ZD	HANDLE, SIDE FRONT (L)	1		
1-16	K1300000260	GRIP, RUBBER 22	2		
1-17	GM1700-0333ZD	HANDLE, SIDE REAR (R)	1		
1-18	K5051025370	WASHER, C5191P 1-25.4-37	2		
1-19	K6000000390	BUSH, COPPER 25.4-30.2-20	2		
1-20	GM1700-0312A0	BRACKET COMP, SEAT	1		
1-21	K4205001910	DECAL, CAUTION NOT TO GET CAUGHT IN	1		
1-22	K1440000010	GREASE NIPPLE, A	2		
1-23	K0401025001	RING, RETAINING S M25	1		
1-24	K0100100002	NUT, M10	6		
1-25	K0200100002	WASHER, SPRING M10	6		
1-26	GM1700-0332ZD	HANDLE, SIDE FRONT (L)	1		
1-27	GM1700-0331ZD	HANDLE, SIDE REAR (L)	1		
1-28	K1211260150	LEVER, CLUTCH E126015	1		
1-29	K1160105000	WIRE, ADJUSTING 1050	1		
1-30	K6084000032	CAP	1		

# 1. Frame section

GM1700

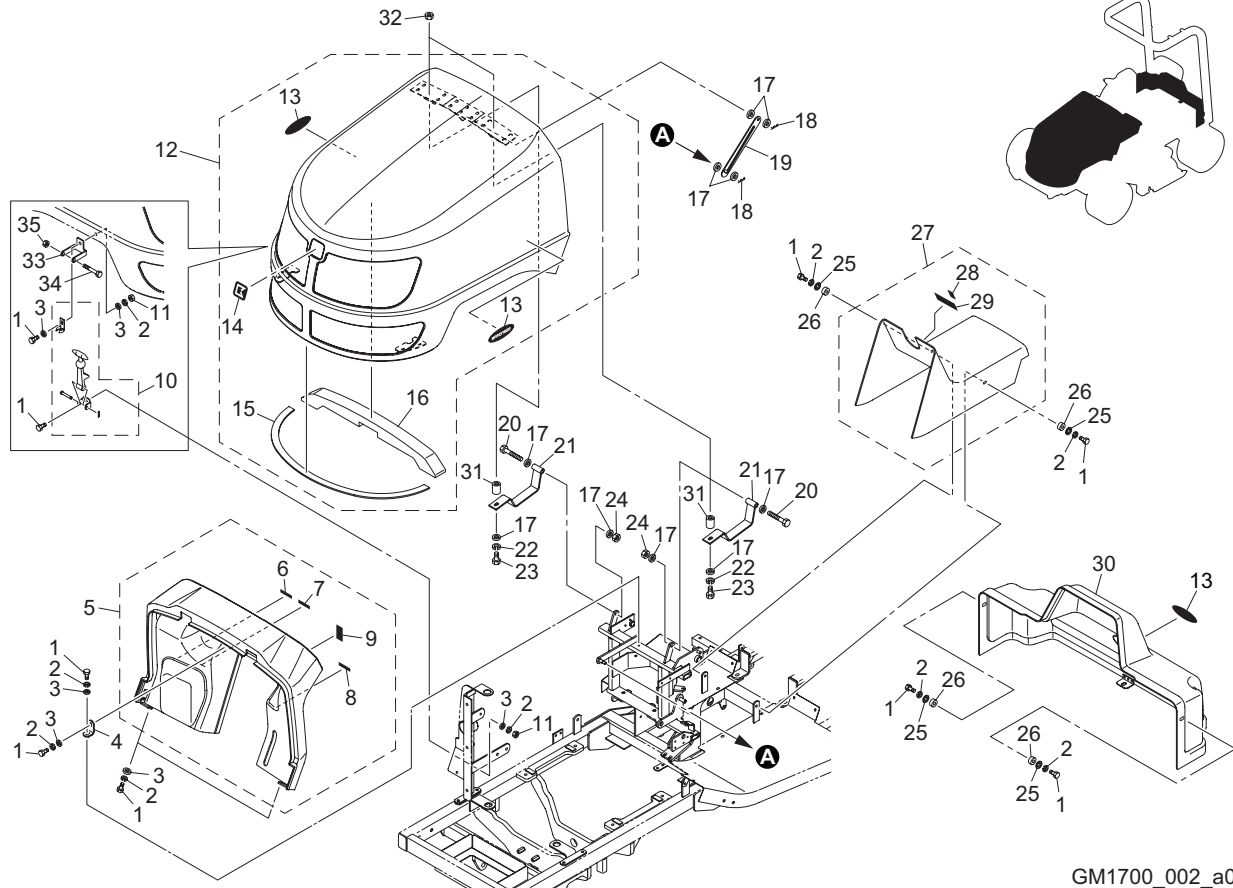


GM1700\_001\_a00

Cat No.	Code No.	Part name	Qty	Remark	SN of application
1-31	K1000000668	SPRING, COMPRESSION M1.4-11.3-40	1		
1-32	K6130000080	PIN, RETAINING	1		
1-33	K0024100301	BOLT, WITH HEX. HOLE M10-30	4		
1-34	GM1500-0309A2	CAP, FITTING FOR LIFTING SHAFT	2		
1-35	K0000080252	BOLT, M8-25	2		
1-36	K0000080202	BOLT, M8-20	2		
1-37	GM1500-0311ZD	BRACKET, PUMP	1		
1-38	GM1700-0301BD	FRAME	1		
1-39	K4205001540	DECAL, CAUTION TO HOT PARTS	1		
1-40	K5000100002	WASHER, M10	6		
1-41	GM1700-0321ZD	BUMPER	1		
1-42	K0000100702	BOLT, M10-70	4		
1a-43	K1700000290	SEAT ASSY, WITH SWITCH & SPACER	1		
1a-44	GM1700-6321ZD	MOUNT, SEATBELT	1		
1a-45	K1701000150	SEATBELT, 06298A	1		
1a-46	K0000140302	BOLT, M14-30	2		
1a-47	K5000140002	WASHER, M14	2		
1a-48	K0144140002	NUT, WITH F-RING, M14	2		

## 2. Cover section A

GM1700

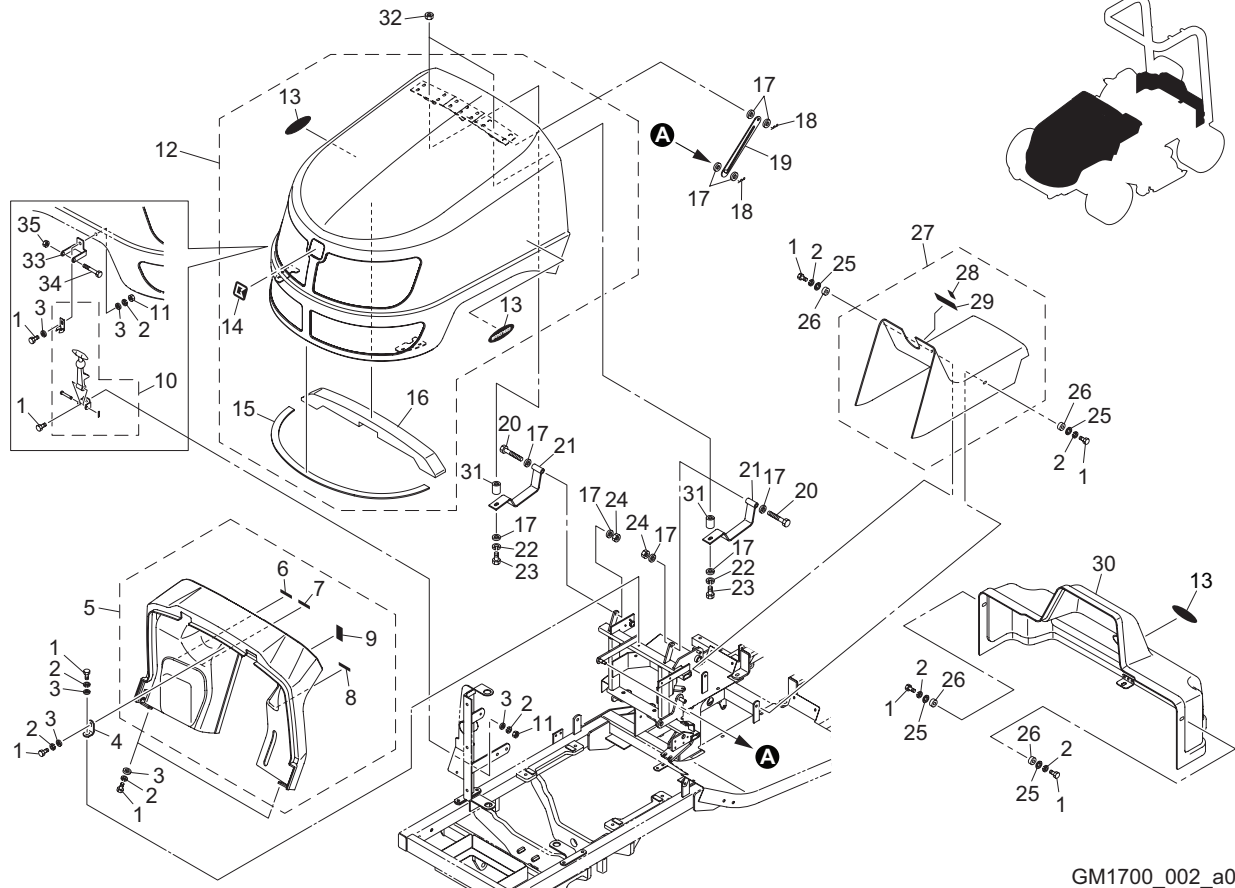


GM1700\_002\_a00

Cat No.	Code No.	Part name	Qty	Remark	SN of application
2-1	K0000060152	BOLT, M6-15	10		
2-2	K0200060002	WASHER, SPRING M6	10		
2-3	K5000060002	WASHER, M6	7		
2-4	GM1600-0919Z2	RECIEVER, C	1		
2-5	GM1700-0925Z0	CONSOLE, WITH DECAL	1		
2-6	K4203001440	STICKER, BACKWARD	1		
2-7	K4203001430	STICKER, FORWARD	1		
2-8	K4203001450	STICKER, BRAKE	1		
2-9	K4203001340	STICKER, PARKING BRAKE	1		
2-10	K1520000030	HOOK ASSY, RUBBER	1		
2-11	K0100060002	NUT, M6	2		
2-12	GM1700-0921A0	HOOD, FRONT WITH DECAL	1		
2-13	K4201000570	STICKER, BARONESS	3		
2-14	K4201000590	STICKER, K	1		
2-15	GM1700-0937Z0	SPONGE, RUBBER RFOR HOOD (LOWER)	1		
2-16	GM1700-0938Z0	URETHAN, FOR HOOD (UPPER)	1		
2-17	K5000080002	WASHER, M8	10		
2-18	K0330800008	PIN, SNAP M8	2		
2-19	GM1600-0964Z2	STOPPER	1		
2-20	K0000080602	BOLT, M8-60	2		
2-21	GM1700-0943ZD	HINGE	2		
2-22	K0200080002	WASHER, SPRING M8	2		
2-23	K0000080352	BOLT, M8-35	2		
2-24	K0144080002	NUT, WITH F-RING, M8	2		
2-25	K5011606202	WASHER, SPCC 1.6-6-20	4		
2-26	K4030306200	RUBBER, WASHER 3-6.5-20	4		
2-27	GM1700-0926Z0	COVER, CENTER WITH DECAL	1		
2-28	K4203001500	DECAL, LEVER TILT STEERING	1		
2-29	K4205002010	DECAL, CAUSION HANDLING	1		
2-30	GM1700-0914Z0	COVER COMP, REAR	1		

## 2. Cover section A

GM1700



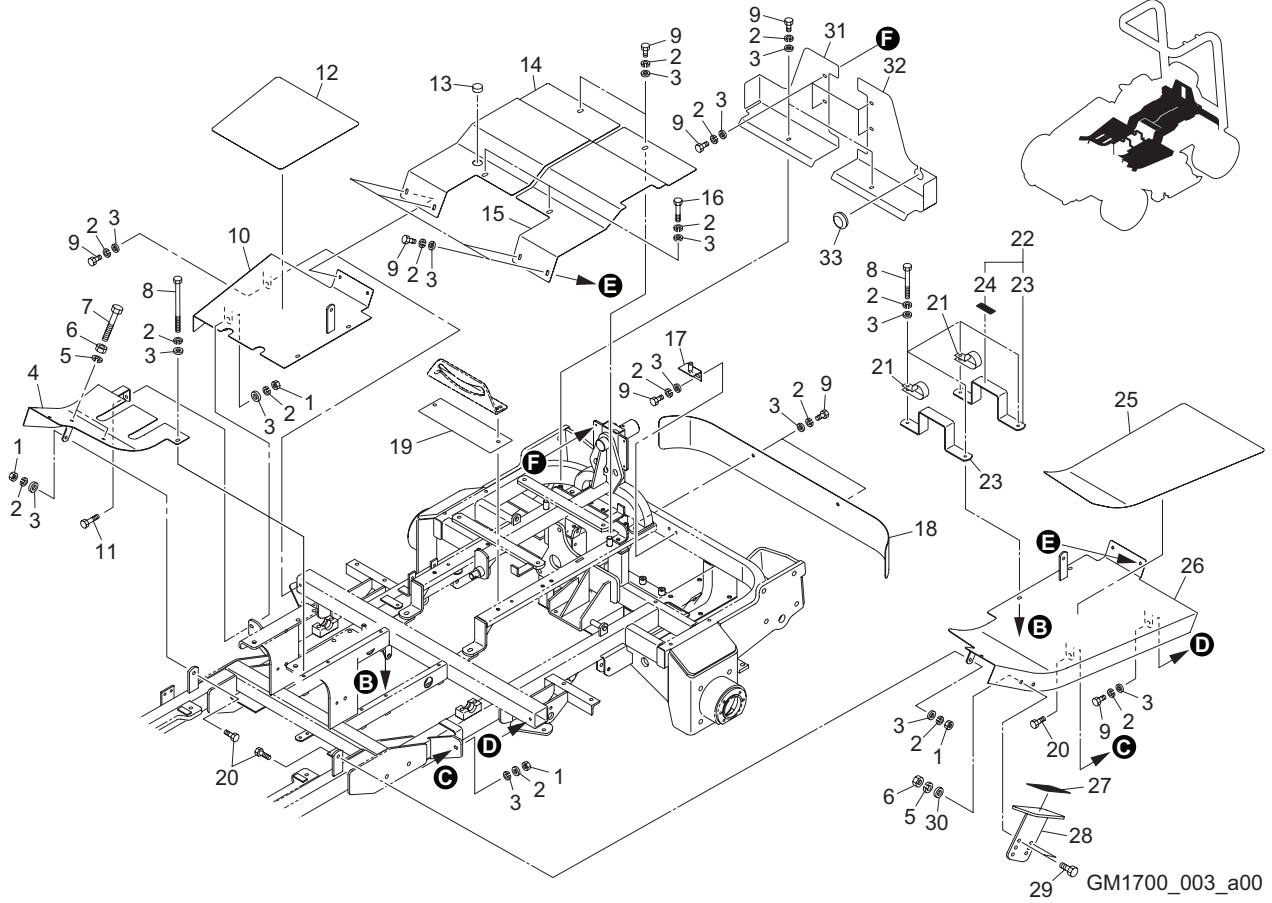
GM1700\_002\_a00

Cat No.	Code No.	Part name	Qty	Remark	SN of application
2-31	K6212003262	COLLAR, STKM M8.5-14-8	0-2	For adjustment	
2-32	K0100080002	NUT, M8	2		
2a-33	K1520000122	BRACKET, RUBBER HOOK	1		
2a-34	K0000060502	BOLT, M6-50	1		
2a-35	K0144060002	NUT, WITH F-RING, M6	1		



### 3. Cover section B

GM1700

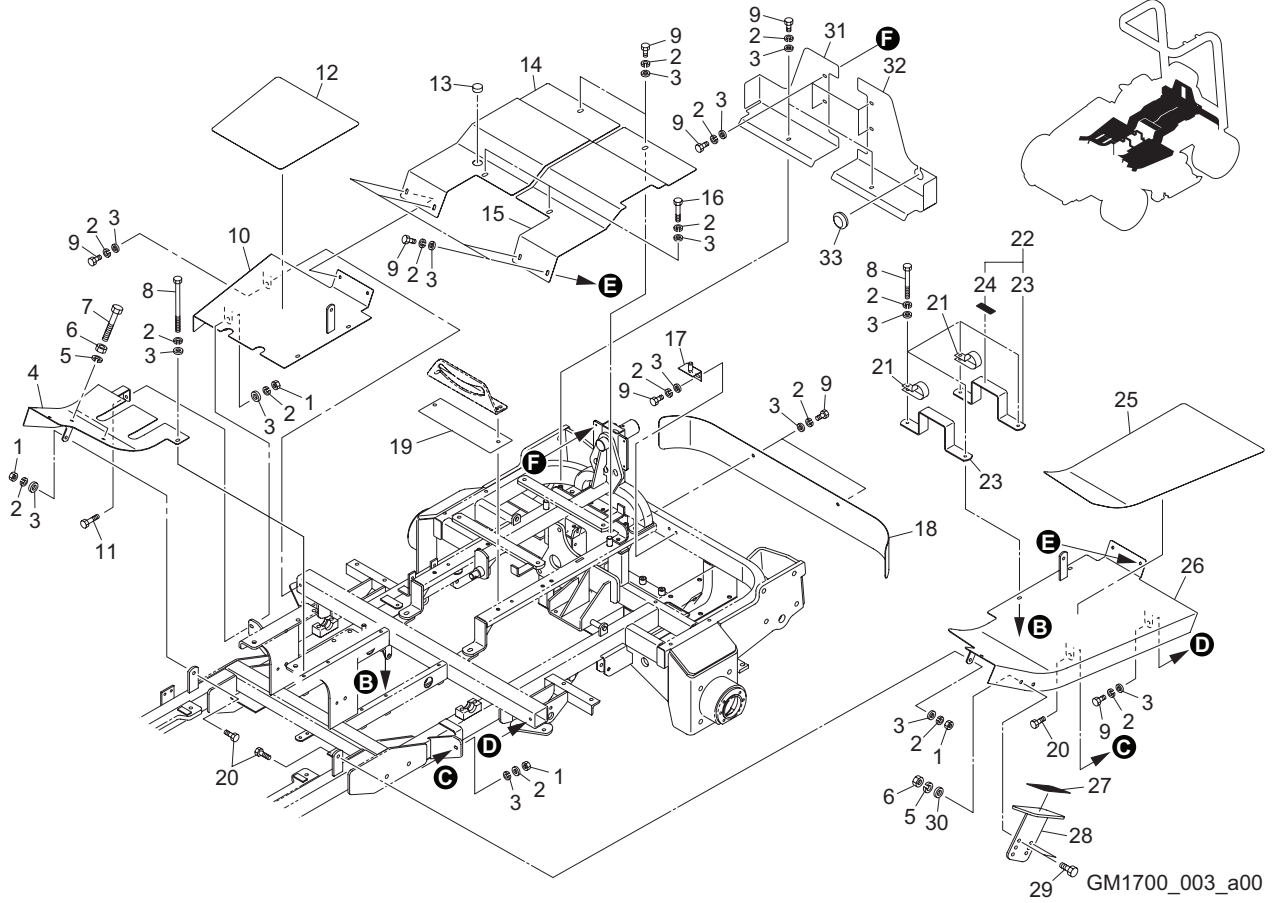


GM1700\_003\_a00

Cat No.	Code No.	Part name	Qty	Remark	SN of application
3-1	K0100060002	NUT, M6	4		
3a-2	K0200060002	WASHER, SPRING M6	27		
3a-3	K5000060002	WASHER, M6	27		
3-4	GM1700-0953ZD	PLATE, FLOOR FRONT (R)	1		
3-5	K0200080002	WASHER, SPRING M8	4		
3-6	K0100080002	NUT, M8	4		
3-7	K0000080602	BOLT, M8-60	2		
3-8	K0000060702	BOLT, M6-70	5		
3a-9	K0000060152	BOLT, M6-15	16		
3-10	GM1700-0954ZD	PLATE, FLOOR REAR (R)	1		
3-11	K0000060252	BOLT, M6-25	1		
3-12	GM1700-0955Z0	SHEET, PLASTIC ANTISLIP (R)	1		
3-13	K0900300240	GROMMET, W/SEALING C30SG24A	1		
3-14	GM1700-0972ZD	COVER, UNDER SEAT (R)	1		
3-15	GM1700-0971ZD	COVER, UNDER SEAT (L)	1		
3-16	K0000060402	BOLT, M6-40	2		
3-17	GM1600-0920Z2	PIN, GUIDE	1		
3-18	GM1600-0958ZD	COVER, UNDER	1		
3-19	GM1700-0973ZD	COVER	1		
3-20	K0000060202	BOLT, M6-20	3		
3-21	K4270022060	CLIP, HARNESS 22 M6	2		
3-22	GM1700-0961Z0	GUARD COMP, SHAFT	1		
3-23	GM1600-0762Z2	GUARD, SHAFT	2		
3-24	K4205002000	DECAL, CAUTION PTO	1		
3-25	GM1700-0952Z0	SHEET, PLASTIC ANTISLIP (L)	1		
3-26	GM1700-0951ZD	PLATE, FLOOR (L)	1		
3-27	K4400000050	SHEET, NONSLIP 15555	1		
3-28	GM1600-0957ZD	PLATE, FOOT REST	1		
3-29	K0000080202	BOLT, M8-20	2		
3-30	K5000080002	WASHER, M8	2		

### 3. Cover section B

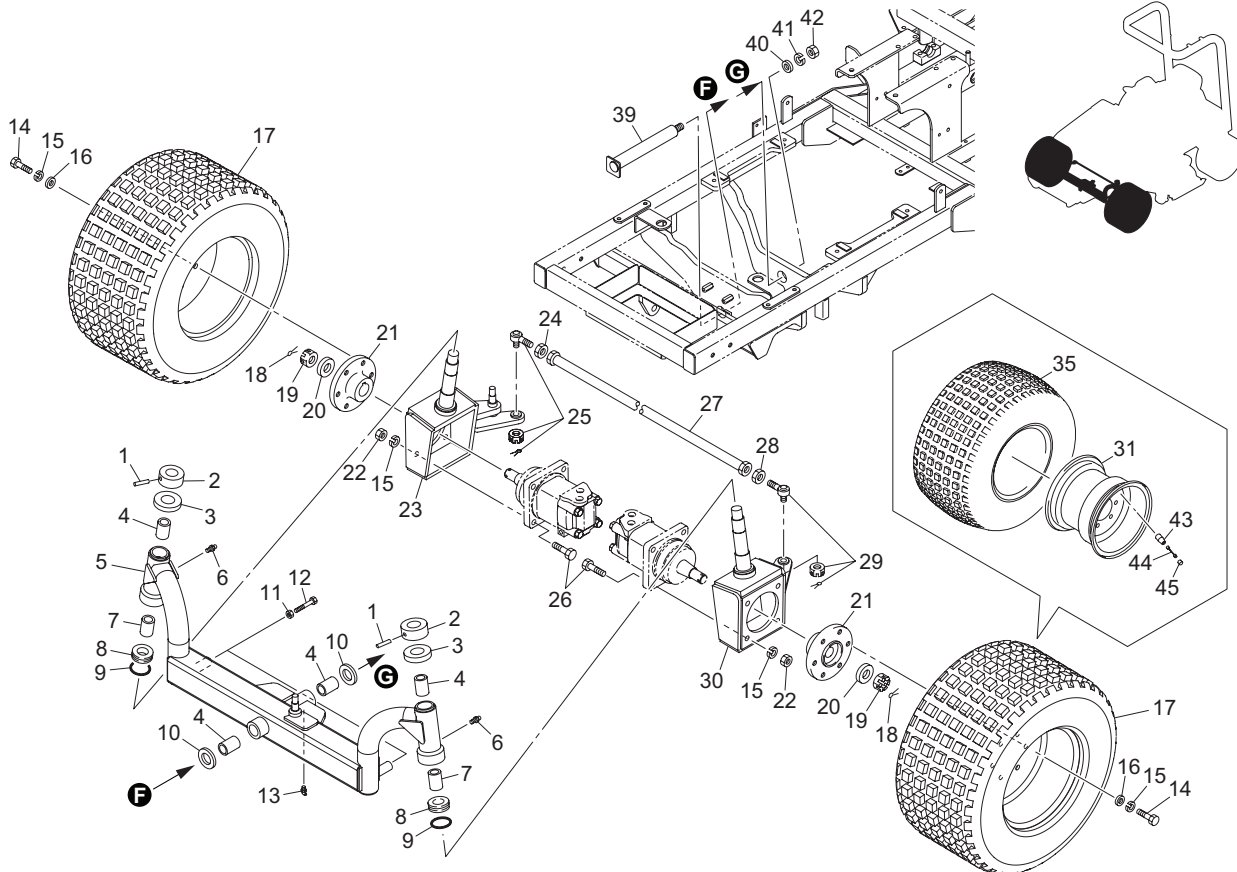
GM1700



Cat No.	Code No.	Part name	Qty	Remark	SN of application
3a-31	GM1700-6903ZD	COVER, SEAT REAR SIDE (R)	1		
3a-32	GM1700-6902ZD	COVER, SEAT REAR SIDE (L)	1		
3a-33	K0900300300	GROMMET, W/SEALING C30SG30A	1		

# 4. Front wheel section A

GM1700

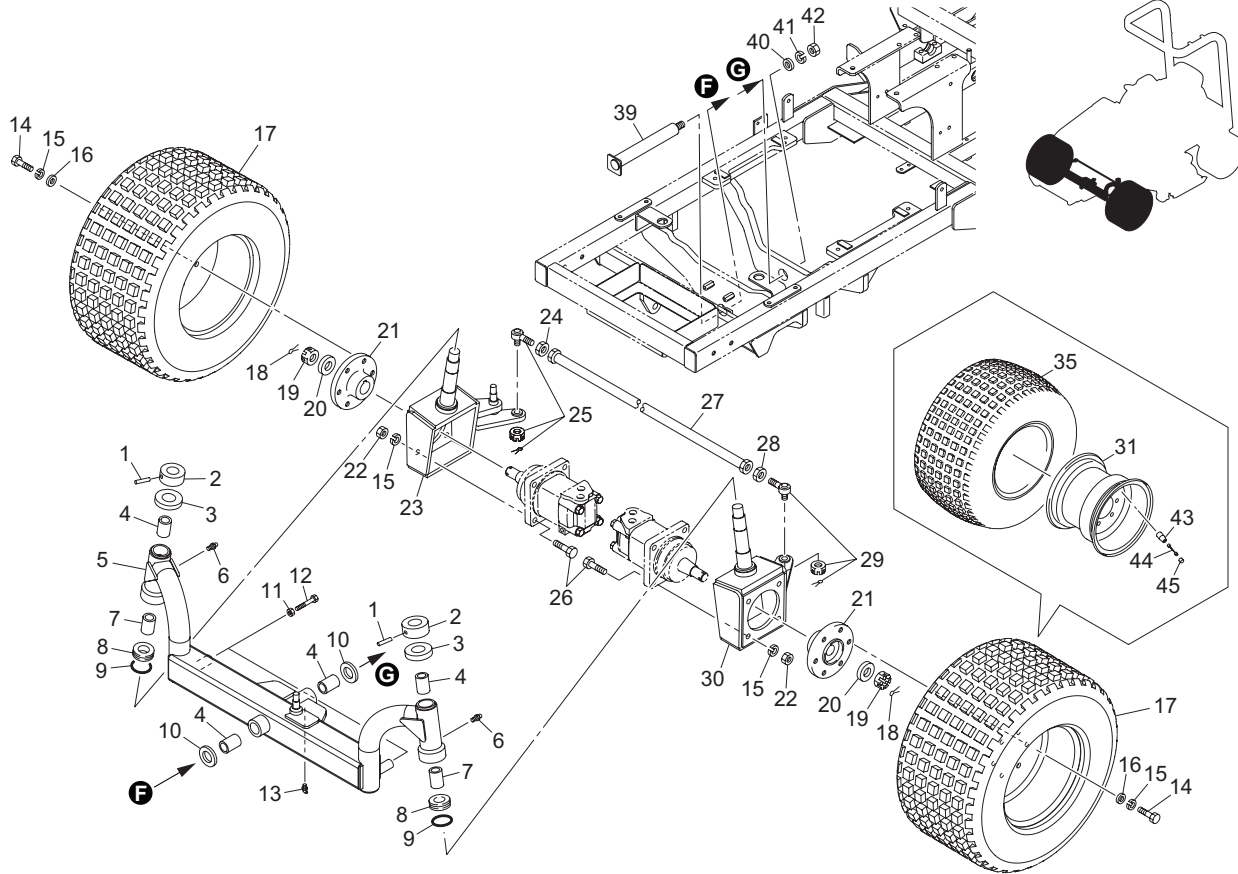


GM1700\_004\_a00

Cat No.	Code No.	Part name	Qty	Remark	SN of application
4-1	K0320080501	PIN, SPRING M8-50	2		
4-2	K6213000113	COLLAR, WITH HOLE M25-50-20	2		
4-3	K6204000383	CAP	2		
4-4	K6000000080	BUSH, COPPER 30-36-30	4		
4-5	GM1700-0201ZD	PIVOT	1		
4-6	K1440000010	GREASE NIPPLE, A	2		
4-7	K6000000420	BUSH, 35-42-30	2		
4-8	K0640511070	BEARING, BALL THRUST 51107	2		
4-9	K0880048000	O-RING, P48	2		
4-10	K5051030500	WASHER, C5191P 1-30-50	2		
4-11	K0100120002	NUT, M12	2		
4-12	K0010120602	BOLT, HT M12-60	2		
4-13	K1440000020	GREASE NIPPLE, C	1		
4-14	K0011120302	BOLT, HT P1.5 M12-30	12		
4-15	K0200120002	WASHER, SPRING M12	20		
4-16	K5000120002	WASHER, M12	12		
4a-17	K2040000780	TIRE ASSY, 21×11.00-10	2		
4-18	K0300050452	PIN, COTTER M5-45	2		
4-19	K0138240002	NUT, HIGH SLOTTED M24 PITCH 1.5	2		
4-20	K5000240002	WASHER, M24	2		
4-21	GM1500A0240AD	MOUNT, FRONT WHEEL 90	2		
4-22	K0100120002	NUT, M12	8		
4-23	GM1700-0202ZD	KING PIN, (R)	1		
4-24	K0160000192	NUT, SPECIAL P1.5 M17	1		
4-25	K1610000020	TIE-ROD END ASSY, MALE (R)	1		
4-26	K0000120452	BOLT, M12-45	8		
4-27	GM1700-0204ZD	ROD, TIE	1		
4-28	K0160000202	NUT, LEFT-HANDED SPECIAL P1.5 M17	1		
4-29	K1611000020	TIE-ROD END ASSY, LEFT-HANDED MALE (L)	1		
4-30	GM1700-0203ZD	KING PIN, (L)	1		

# 4. Front wheel section A

GM1700

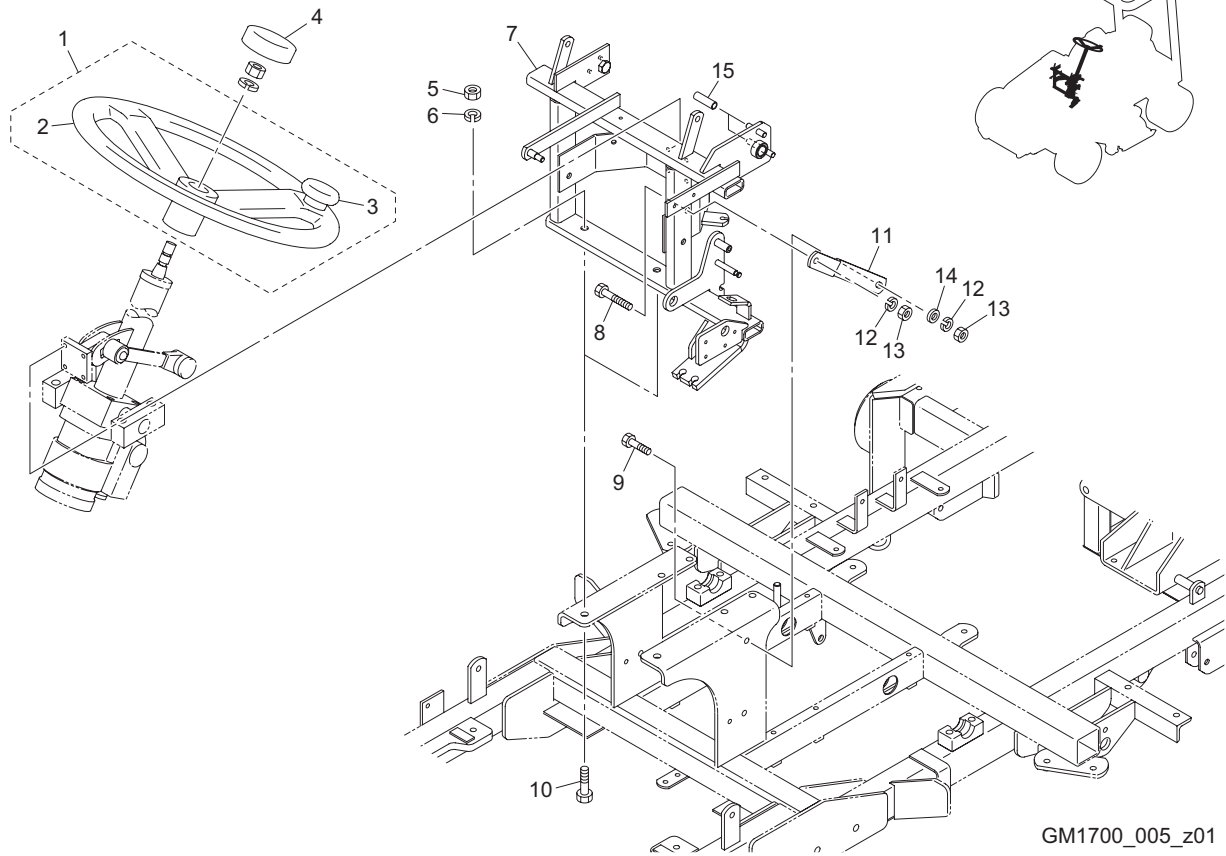


GM1700\_004\_a00

Cat No.	Code No.	Part name	Qty	Remark	SN of application
4a-31	K209000091L	WHEEL, 10×8.0	2		
4-32					
4-33					
* 4-34					
4a-35	K2041000500	TIRE, 21×11.00-10	2		
4-36					
* 4-37					
4-38					
4-39	K7147000198	PIN, FOR PIVOT	1		
4-40	K5074516402	WASHER, SPHC 4.5-16-40	1		
4-41	K0200160002	WASHER, SPRING M16	1		
4-42	K0100160002	NUT, M16	1		
4a-43	K2097000010	VALVE, RIM TR413	2		
4a-44	K2092000010	CORE, VALVE NO.8000	2		
4a-45	K2093000010	CAP, VALVE	2		

# 5. Front wheel section B

GM1700

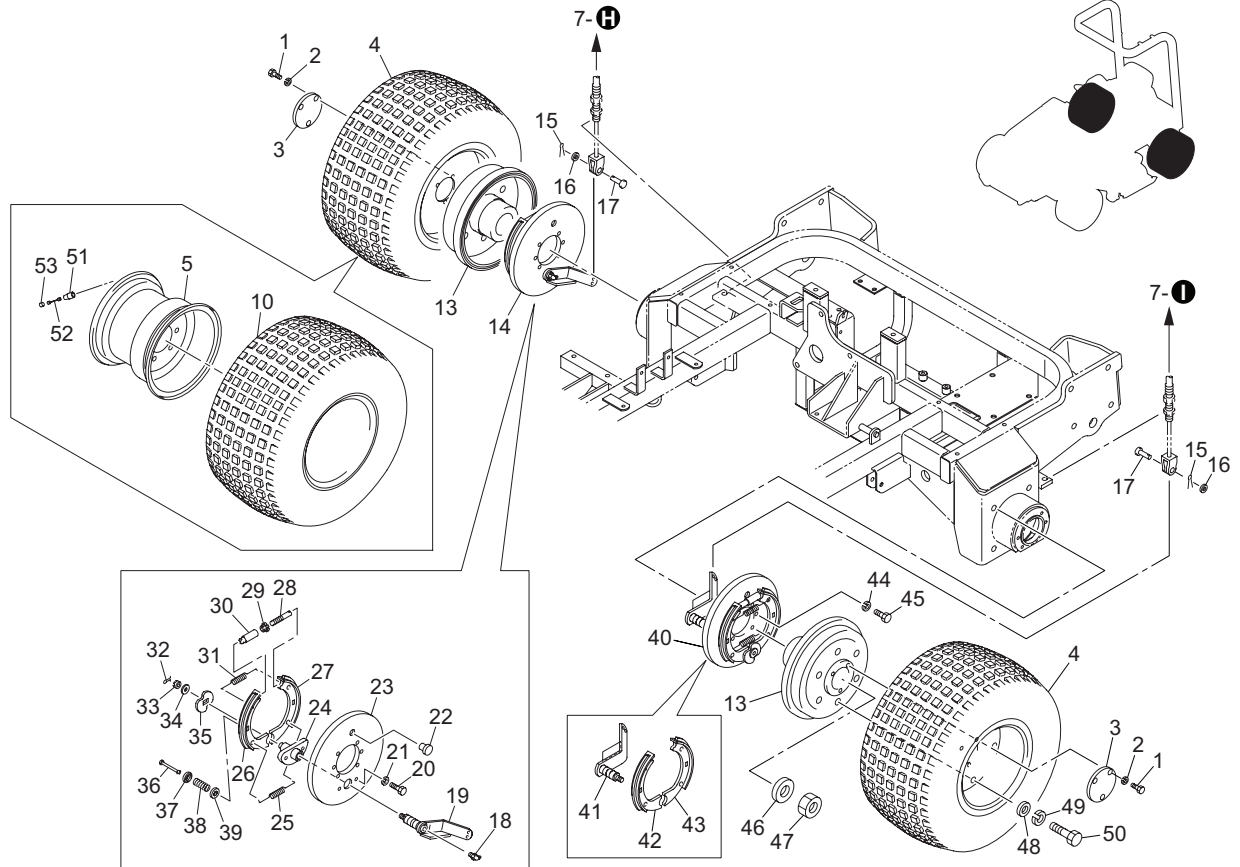


GM1700\_005\_z01

Cat No.	Code No.	Part name	Qty	Remark	SN of application
5-1	K1710000070	STEERING, WITH KNOB V027220-0000	1		
5-2	K1710000080	STEERING, V027220-0101	1		
5-3	K1710000090	KNOB ASSY, V027220-0200	1		
5-4	K1310000130	CAP, RUBBER	1		
5-5	K0100100002	NUT, M10	2		
5-6	K0200100002	WASHER, SPRING M10	2		
5-7	GM1700-0205AD	GM1700-0205AD	1		
5-8	K0000080402	BOLT, M8-40	1		
5-9	K0000080252	BOLT, M8-25	1		
5-10	K0000100452	BOLT, M10-45	2		
5-11	GM1700-0206ZD	PLATE, CONNECTING HANDLE BASE	1		
5-12	K0200080002	WASHER, SPRING M8	2		
5-13	K0100080002	NUT, M8	2		
5-14	K5000080002	WASHER, M8	1		
5-15	K3180000200	HOSE, FUEL 8*1B20	2		

# 6. Rear wheel and brake section A

GM1700

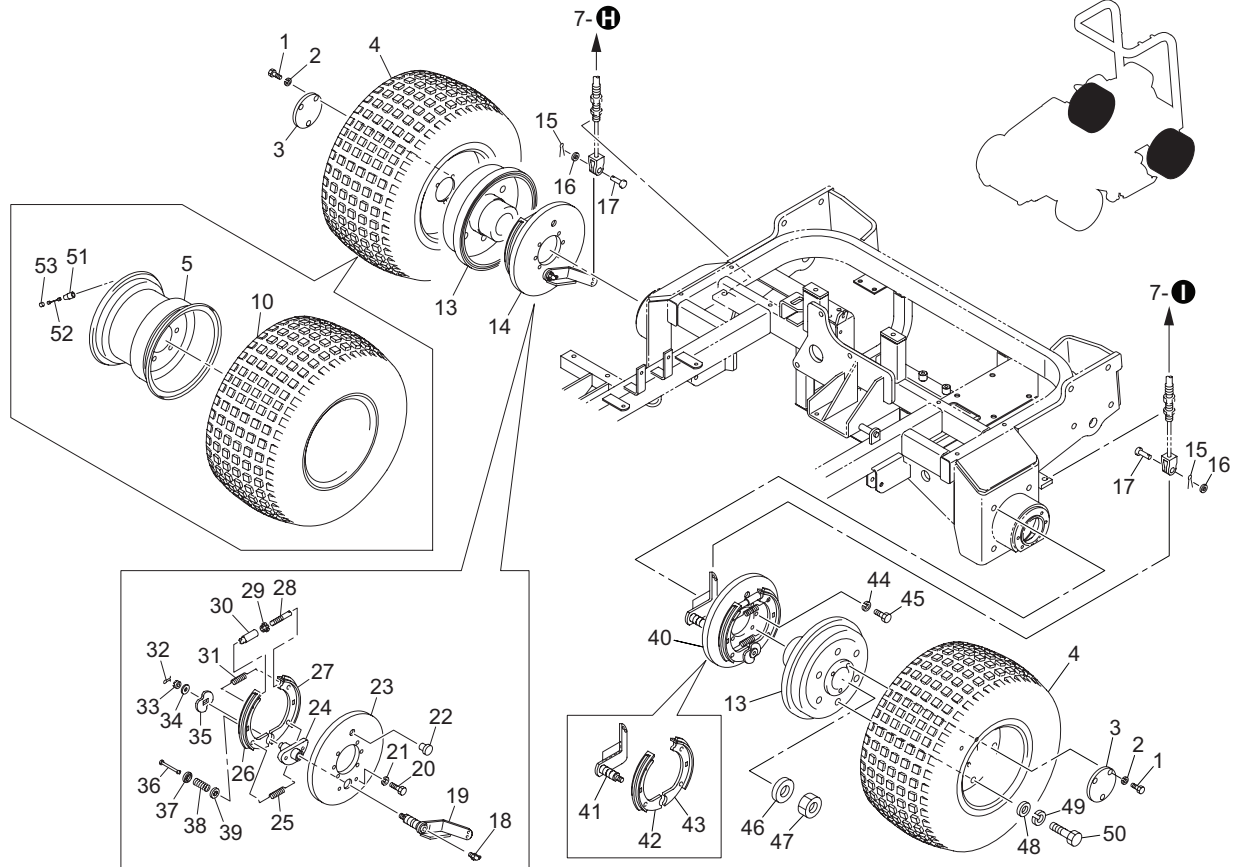


GM1700\_006\_a00

Cat No.	Code No.	Part name	Qty	Remark	SN of application
6-1	K0000060102	BOLT, M6-10	6		
6-2	K0200060002	WASHER, SPRING M6	6		
6-3	K517000012D	PLATE, SPCC BOLT COVER	2		
6a-4	K2040000780	TIRE ASSY, 21*11.00-10	2		
6a-5	K209000091L	WHEEL, 10*8.0	2		
* 6-6					
* 6-7					
6-8					
6-9					
6a-10	K2041000500	TIRE, 21*11.00-10	2		
6-11					
6-12					
6-13	K6909000232	MOUNT, WHEEL	2		
6-14	K1720000210	BRAKE ASSY, WITH LEVER (R)	1		
6-15	K0300020202	PIN, COTTER M2-20	2		
6-16	K5000060002	WASHER, M6	2		
6-17	K6031060172	PIN, FLAT-HEAD HT M6-17	2		
6-18	P631-0675-00	GREASE NIPPLE	2		
6-19	K7322000068	LEVER, BRAKE (R)	1		
6-20	P501-1016-10	BOLT	4		
6-21	P573-1025-20	WASHER, SPRING	4		
6-22	P319-7122-00	PLUG	2		
6-23	P711-8016-00	PLATE ASSY	2		
6-24	P712-8003-00	BRACKET	2		
6-25	P153-8004-00	SPRING	2		
6-26	P741-8005-00	SHOE ASSY	1		
6-27	P741-8007-00	SHOE ASSY	1		
6-28	P722-7341-00	BOLT, ADJUSTING	2		
6-29	P722-7342-00	GEAR, ADJUSTING	2		
6-30	P723-7329-00	SLEEVE	2		

# 6. Rear wheel and brake section A

GM1700

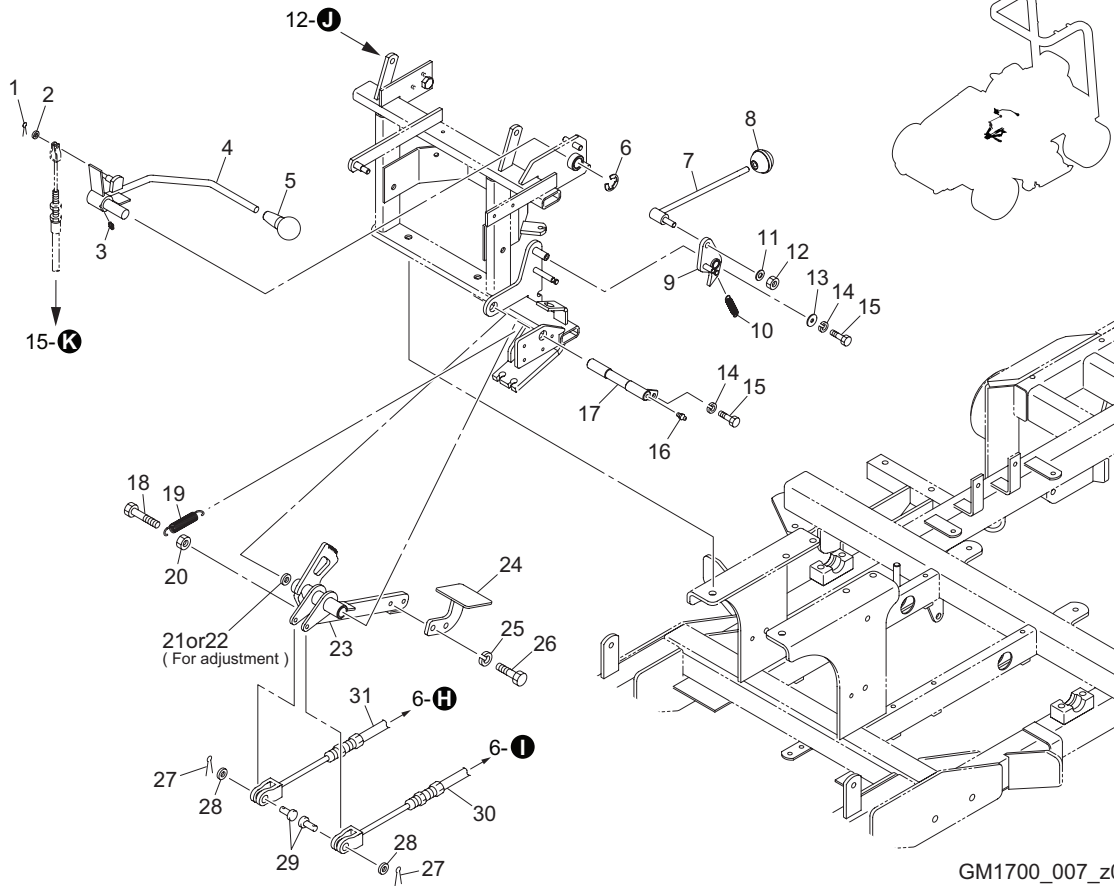


GM1700\_006\_a00

Cat No.	Code No.	Part name	Qty	Remark	SN of application
6-31	P153-8002-00	SPRING	2		
6-32	P601-2525-00	PIN, COTTER	2		
6-33	P535-1008-00	NUT, CASTLE	2		
6-34	P801-7308-00	WASHER	2		
6-35	P731-7335-00	CAM	2		
6-36	P713-7044-00	PIN, GUIDE	4		
6-37	P801-7012-00	SEAT, SPRING A	4		
6-38	P154-7033-00	SPRING	4		
6-39	P801-7023-00	SEAT, SPRING B	4		
6-40	K1720000200	BRAKE ASSY, WITH LEVER (L)	1		
6-41	K7322000058	LEVER, BRAKE (L)	1		
6-42	P741-8006-00	SHOE ASSY	4		
6-43	P741-8008-00	SHOE ASSY	3		
6-44	K0200080002	WASHER, SPRING M8	12		
6-45	K0000080152	BOLT, M8-15	12		
6-46	K0214240001	WASHER, DISK SPRING L M24-2	2		
6-47	K0160000492	NUT, SPECIAL P1.5 M24	2		
6-48	K5000120002	WASHER, M12	12		
6-49	K0200120002	WASHER, SPRING M12	12		
6-50	K0011120302	BOLT, HT P1.5 M12-30	12		
6a-51	K2097000010	VALVE, RIM TR413	2		
6a-52	K2092000010	CORE, VALVE NO.8000	2		
6a-53	K2093000010	CAP, VALVE	2		

# 7. Rear wheel and brake section B

GM1700

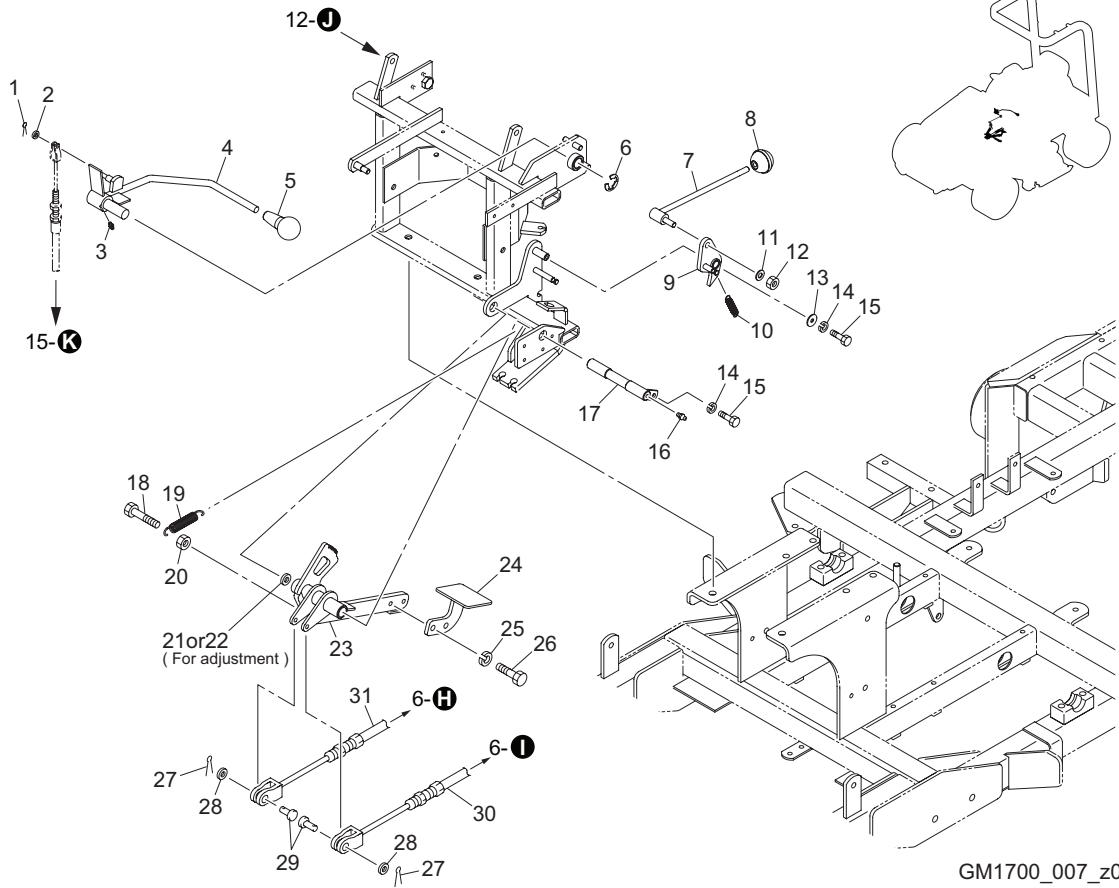


Cat No.	Code No.	Part name	Qty	Remark	SN of application
7-1	K0300016202	PIN, COTTER M1.6-20	1		
7-2	K5000060002	WASHER, M6	1		
7-3	K1440000010	GREASE NIPPLE, A	1		
7-4	GM1600-0107C2	LEVER, KNIFE CLUTCH	1		
7-5	K13000000050	GRIP, RUBBER RED 9-35.5	1		
7-6	K0400012002	RING, RETAINING E M12	1		
7-7	GM1700-0405Z2	ROD, RELEASING BRAKE	1		
7-8	K13010000050	GRIP, PLASTIC LEVER	1		
7-9	GM1700-0404Z2	PLATE, RATCHET TOOTH	1		
7-10	K1020000178	SPRING, WITH ROUND HOOK M1-10-50	1		
7-11	K5000080002	WASHER, M8	1		
7-12	K0144080002	NUT, WITH F-RING, M8	1		
7-13	K5011606202	WASHER, SPCC 1.6-6-20	1		
7-14	K0200060002	WASHER, SPRING M6	2		
7-15	K0000060152	BOLT, M6-15	2		
7-16	K1440000010	GREASE NIPPLE, A	1		
7-17	GM1700-0403Z2	SHAFT, BRAKE PEDAL	1		
7-18	K0000080252	BOLT, M8-25	1		
7-19	K1030000048	SPRING, WITH U HOOK M2-14-80	1		
7-20	K0100080002	NUT, M8	1		
7-21	K5011016222	WASHER, SPCC 1-16-22	0-1	For adjustment	
7-22	K5010816222	WASHER, SPCC 0.8-16-22	0-1	For adjustment	
7-23	GM1700-0402ZD	PEDAL, BRAKE	1		
7-24	GM1700-0401ZD	PLATE, BRAKE PEDAL	1		
7-25	K0200080002	WASHER, SPRING M8	2		
7-26	K0000080202	BOLT, M8-20	2		
7-27	K0300020202	PIN, COTTER M2-20	2		
7-28	K5000060002	WASHER, M6	2		
7-29	K6031060172	PIN, FLAT-HEAD HT M6-17	2		
7-30	K1120182500	WIRE, BRAKE 1825	1		



# 7. Rear wheel and brake section B

GM1700

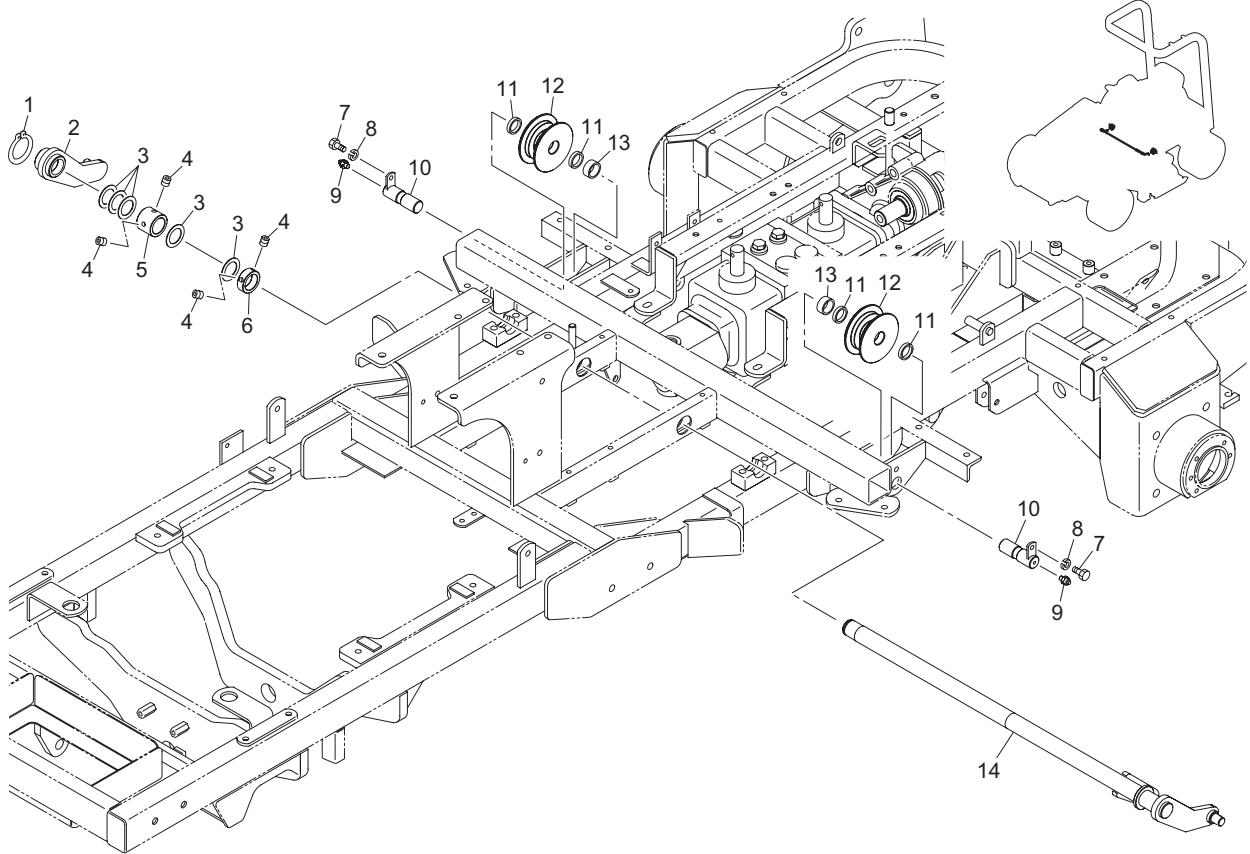


GM1700\_007\_z00

Cat No.	Code No.	Part name	Qty	Remark	SN of application
7-31	K1120199500	WIRE, BRAKE 1995	1		

# 8. Transmission and lift section A

GM1700

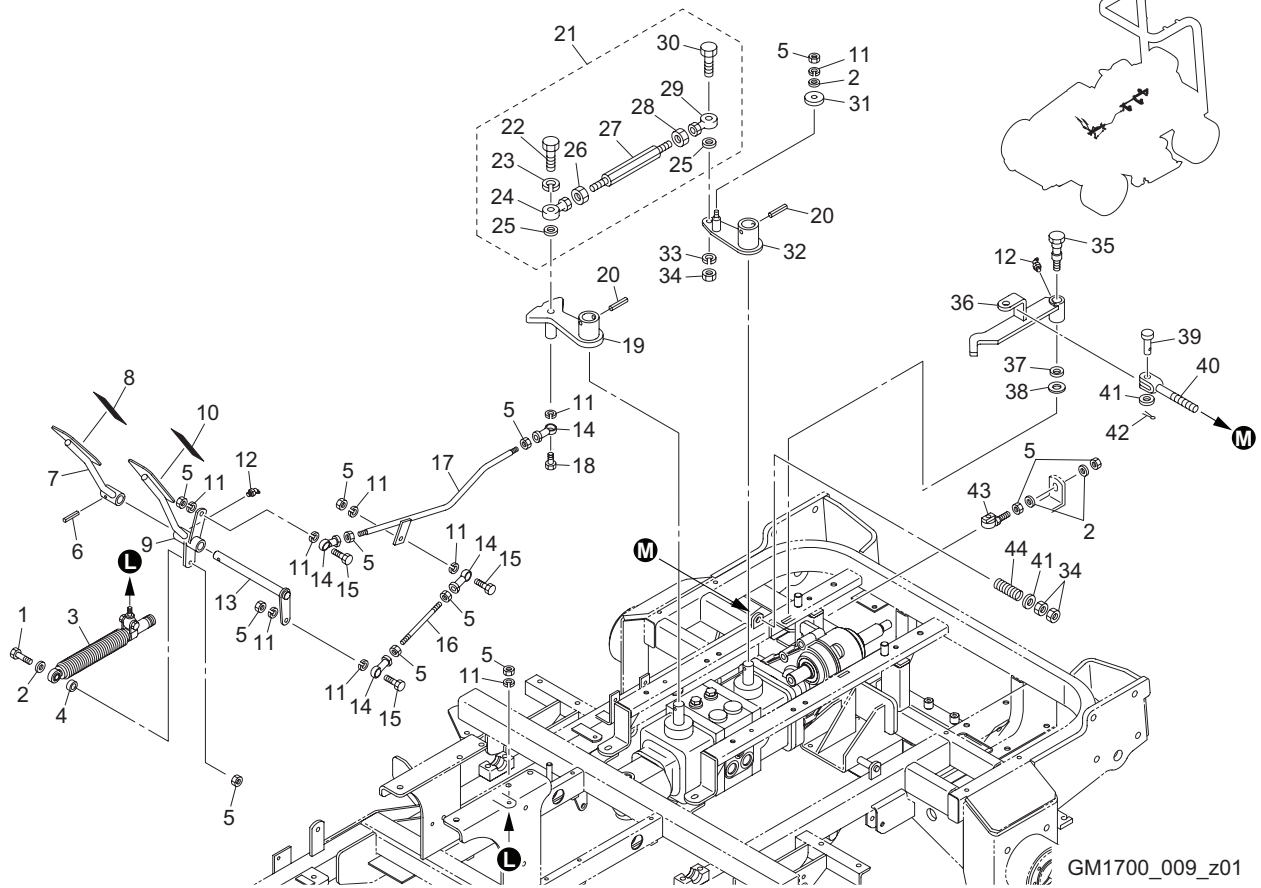


GM1700\_008\_z00

Cat No.	Code No.	Part name	Qty	Remark	SN of application
8-1	K0401025001	RING, RETAINING S M25	1		
8-2	GM1700-0609Z2	LEVER, LIFTING (R)	1		
8-3	K5051025370	WASHER, C5191P 1-25.4-37	2-5	For adjustment	
8-4	K0023080101	SETSCREW, M8-10	4		
8-5	GM1700-0610Z2	COLLAR, TAPPED 25.6-36-29	1		
8-6	K6218000582	COLLAR, TAPPED 25.6-36-12	1		
8-7	K0000060102	BOLT, M6-10	2		
8-8	K0200060002	WASHER, SPRING M6	2		
8-9	K1440000010	GREASE NIPPLE, A	2		
8-10	GM1700-0611Z2	SHAFT, CONNECTING CHAIN WHEEL	2		
8-11	K5051020320	WASHER, C5191P 1-20-32	4		
8-12	GM1500-0620AD	PULLEY, FOR CHAIN	2		
8-13	K6212001212	COLLAR, STKM M20.2-25.4-5	2		
8-14	GM1700-0608Z2	LEVER, LIFTING MOWER	1		

# 9. Transmission and lift section B

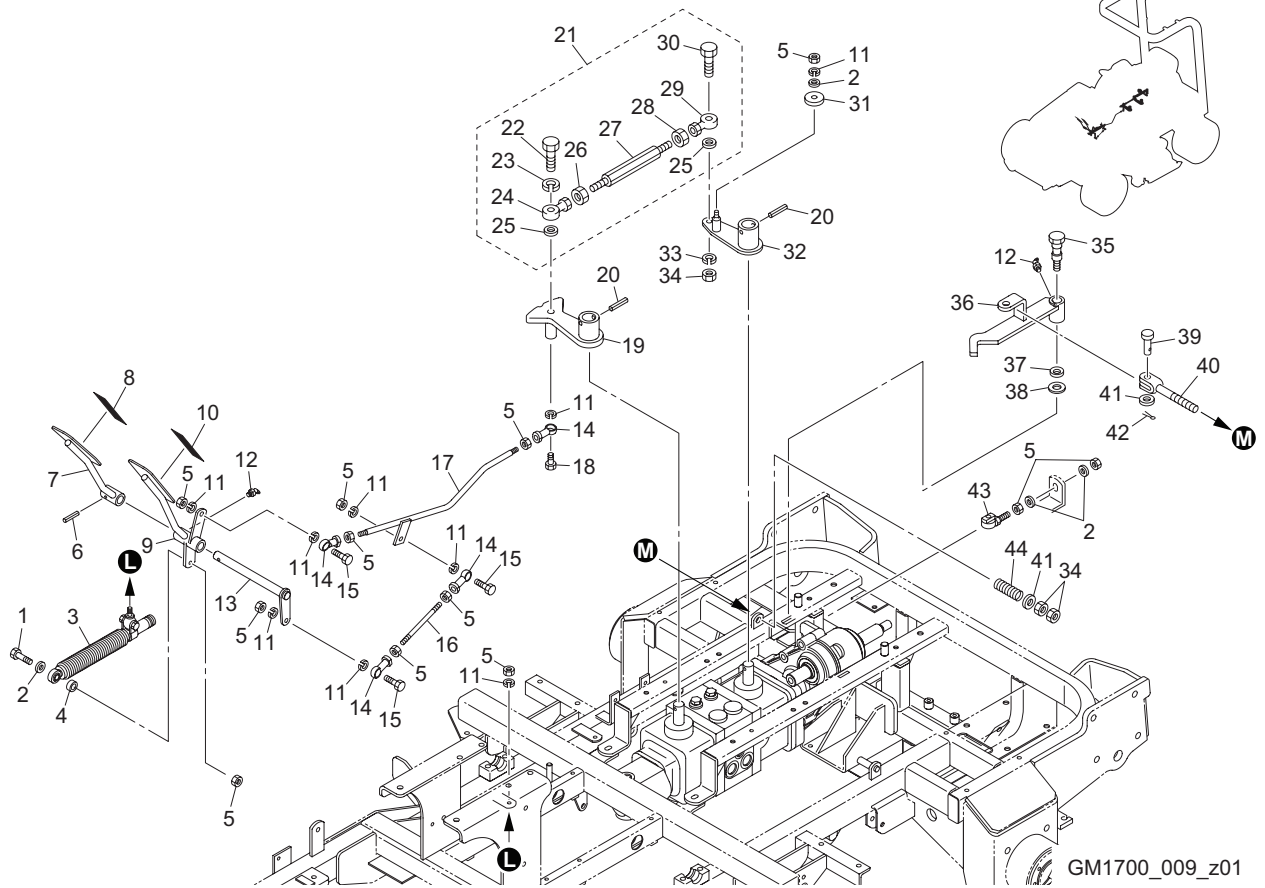
GM1700



Cat No.	Code No.	Part name	Qty	Remark	SN of application
9-1	K0000080402	BOLT, M8-40	1		
9-2	K5000080002	WASHER, M8	4		
9-3	K3380000010	DAMPER, FOR LEVER	1		
9-4	K6212003262	COLLAR, STKM M8.5-14-8	1		
9-5	K0100080002	NUT, M8	12		
9-6	K0324050251	PIN, SPIRAL M5-25	1		
9-7	GM1700-0603ZD	PEDAL, BACKWARD	1		
9-8	GM1600-0615Z0	SHEET, PLASTIC FOR BACKWARD PEDAL ANTISLIP	1		
9-9	GM1700-0602ZD	PEDAL, FORWARD	1		
9-10	GM1600-0614Z0	SHEET, PLASTIC FOR FORWARD PEDAL ANTISLIP	1		
9-11	K0200080002	WASHER, SPRING M8	8		
9-12	K1440000020	GREASE NIPPLE, C	2		
9-13	GM1700-0604Z2	SHAFT, TRAVELLING PEDAL	1		
9-14	K1601080000	JOINT, SPHERICAL PHS8	4		
9-15	K0000080302	BOLT, M8-30	3		
9-16	GM1500-0607Z2	ROD, BACKWARD	1		
9-17	GM1700-0601Z2	ROD, FORWARD	1		
9-18	K0000080202	BOLT, M8-20	1		
9-19	GM1700-0605Z2	LEVER, TRANSMISSION (FRONT)	1		
9-20	K0324060321	PIN, SPIRAL M6-32	2		
9-21	GM1500A0691Z0	ROD ASSY, SCREWED	1		
9-22	GM1500A0632Z2	BOLT, SPECIAL A	1		
9-23	K0200120002	WASHER, SPRING M12	1		
9-24	K16071200L0	JOINT, SPHERICAL PHS12LEC	1		
9-25	K5011010202	WASHER, SPCC 1-10-20	2		
9-26	K0180120002	NUT, LEFT-HANDED M12	1		
9-27	GM1500A0631AD	ROD, SCREWED	1		
9-28	K0100120002	NUT, M12	1		
9-29	K1607120000	JOINT, SPHERICAL PHS12EC	1		
9-30	GM1500A0633Z2	BOLT, SPECIAL B	1		

# 9. Transmission and lift section B

GM1700

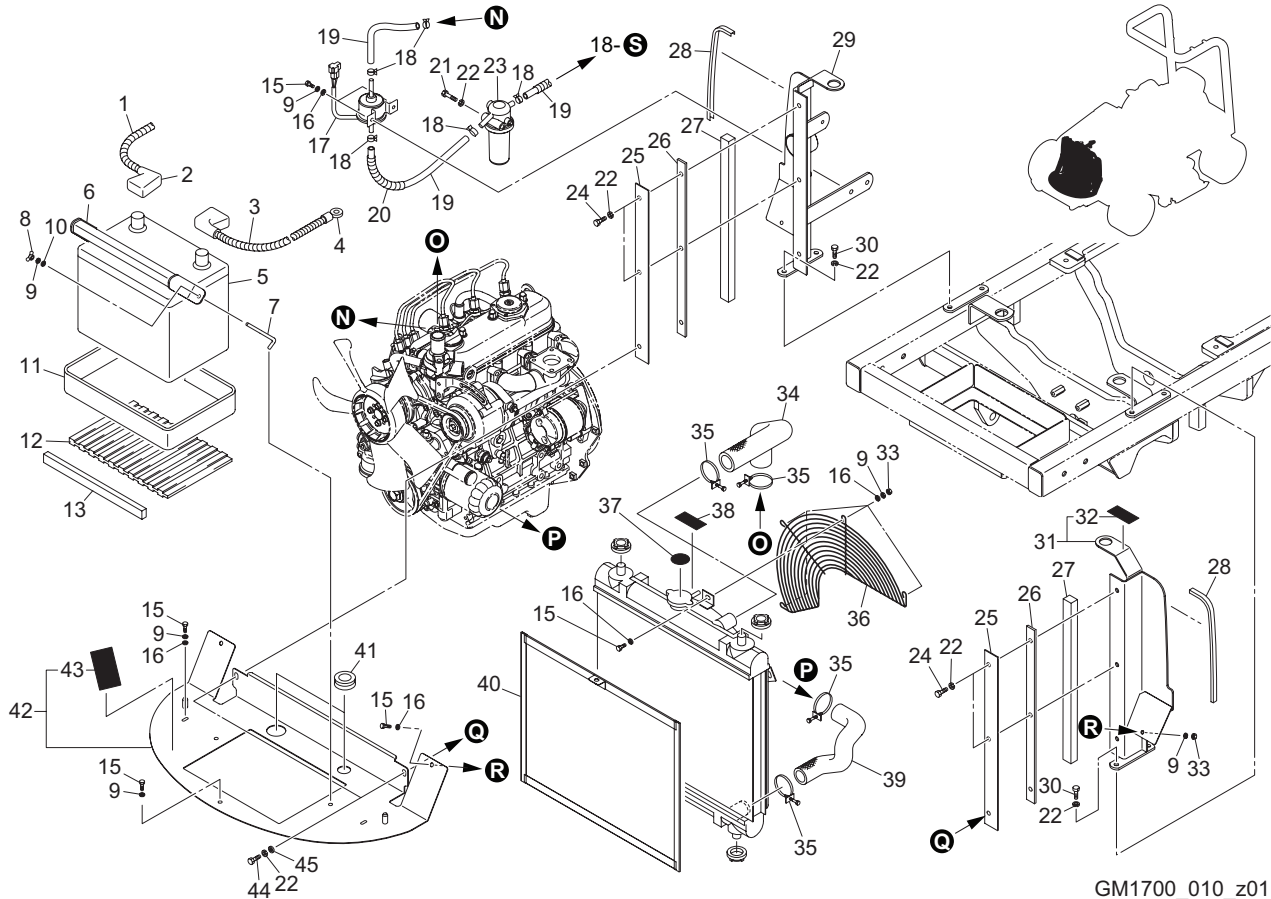


GM1700\_009\_z01

Cat No.	Code No.	Part name	Qty	Remark	SN of application
9-31	K0608006290	BEARING, BALL SEAL 2RS 629	1		
9-32	GM1600-0605Z2	LEVER, TRANSMISSION (REAR)	1		
9-33	K0200100002	WASHER, SPRING M10	1		
9-34	K0100100002	NUT, M10	3		
9-35	GM1600-0613Z2	SHAFT, CAM LEVER	1		
9-36	GM1600-0609A2	LEVER, CAM	1		
9-37	K0213100002	WASHER, DISK SPRING.H M10-1	1		
9-38	K5090000032	WACHER, CLAMPING HANDLE	1		
9-39	K6031100258	PIN, FLAT HEAD HT M10-25	1		
9-40	K7303000092	ADJUSTER, LEVER	1		
9-41	K5000100002	WASHER, M10	2		
9-42	K0302025250	PIN, COTTER SUS M2.5-25	1		
9-43	GM1600-0610Z2	HARDWARE, NUT AND SCREW	1		
9-44	K1000000048	SPRING, COMPRESSION M3.2-16.9-60	1		

# 10. Engine section A

GM1700

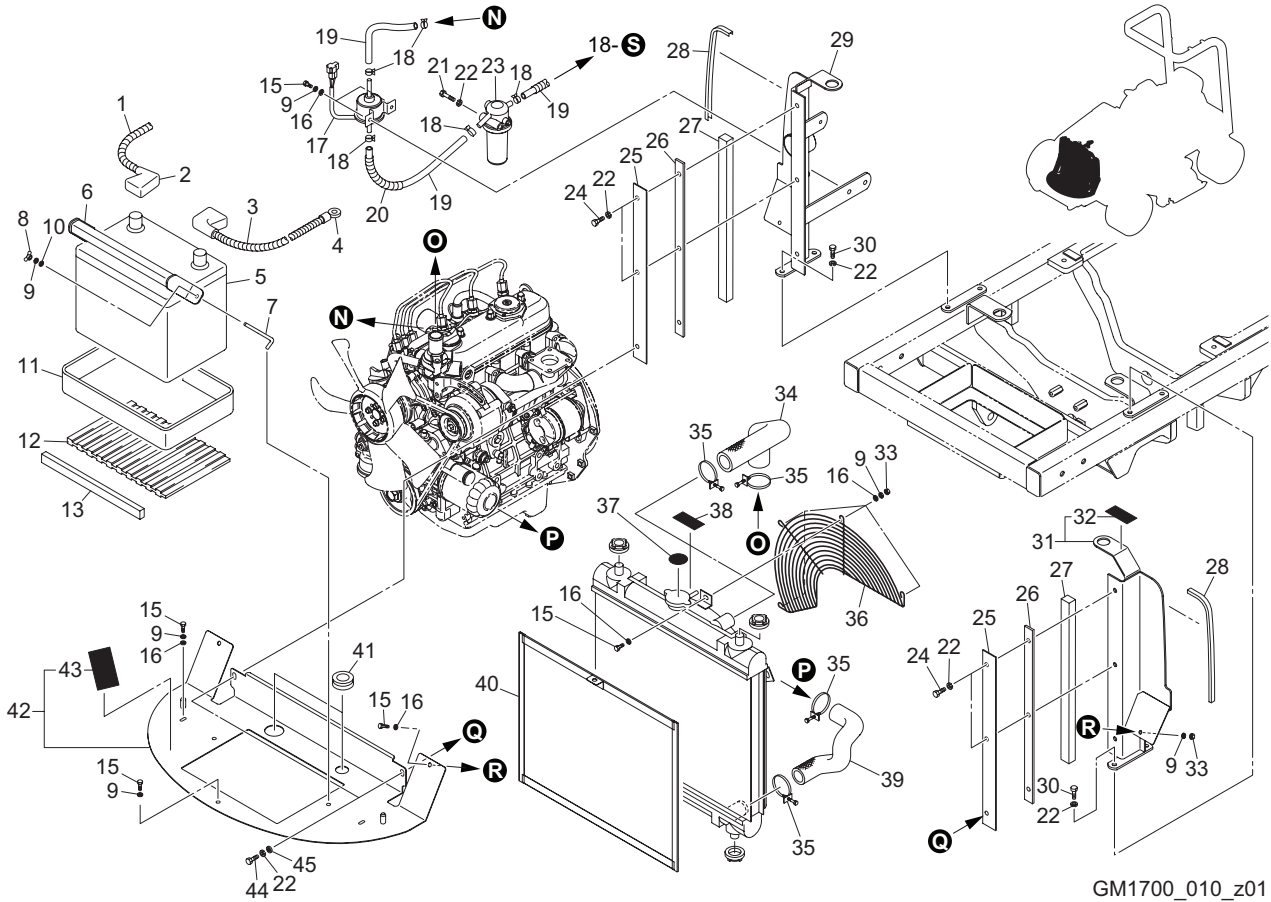


GM1700\_010\_z01

Cat No.	Code No.	Part name	Qty	Remark	SN of application
10-1	K3195009500	TUBE, CORRUGATED 15-950	1		
10-2	K3611000420	WIRE, TO EARTH 1000	1		
10-3	K3194107000	TUBE, CORRUGATED 10-700	1		
10-4	K3610000350	WIRE, BATTERY (+) 750	1		
10-5	K3600000020	BATTERY, FR75D26R	1		
10-6	GM1700-0522ZD	BRACKET, BATTERY	1		
10-7	K6171000312	ROD, WITH M6	2		
10-8	K0141060002	NUT, WING M6-3	2		
10-9	K0200060002	WASHER, SPRING M6	13		
10-10	K5012306162	WASHER, SPCC 2.3-6-16	2		
10-11	K4033000040	RUBBER, PLATE 45840	1		
10-12	K4035000020	RUBBER, VIBRATION PROOF FOR BATTERY 256	1		
10-13	GM1600-0520Z0	SPONGE, RUBBER 8-250	1		
10-14					
10-15	K0000060152	BOLT, M6-15	11		
10-16	K5000060002	WASHER, M6	15		
10-17	PFR1401-5135-1	PUMP ASSY, FUEL	1		
10-18	PF14911-4275-1	CLIP, PIPE	5		
10-19	PF09661-8250-0	TUBE, FUEL	1		
10-20	K3196019500	TUBE, CORRUGATED 13-1950	1		
10-21	K0000080602	BOLT, M8-60	1		
10-22	K0200080002	WASHER, SPRING M8	11		
10-23	PF1G313-4301-1	FILTER ASSY, FUEL	1		
10-24	K0000080202	BOLT, M8-20	4		
10-25	GM1600-0516AD	GUIDE	2		
10-26	GM1600-0518AD	SPACER	2		
10-27	GM1600-0517Z0	SPONGE, URETHAN 15-20-350	2		
10-28	K3198302800	TRIM, SEAL 6100-32C-280	2		
10-29	GM1700-0505ZD	BRACKET, RADIATOR (R)	1		
10-30	K0000080152	BOLT, M8-15	4		

# 10. Engine section A

GM1700

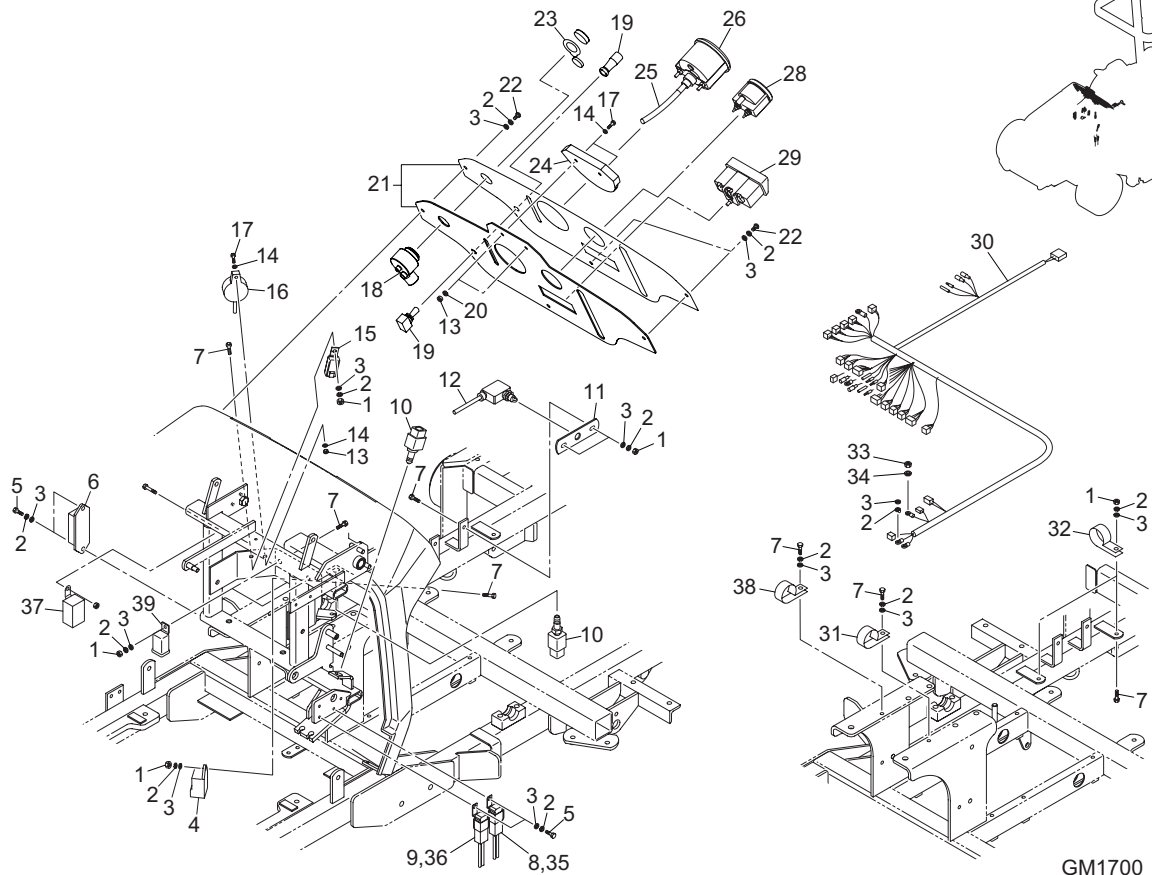


GM1700\_010\_z01

Cat No.	Code No.	Part name	Qty	Remark	SN of application
10-31	GM1700-0520Z0	BRACKET COMP, RADIATOR (L)	1		
10-32	K4205001920	DECAL, CAUTION TO HOT PARTS	1		
10-33	K0100060002	NUT, M6	6		
10-34	PF1G345-7294-0	HOSE, (4, WATER)	1		
10-35	PF09318-8903-9	CLAMP, FOR HOSE	4		
10-36	PF1G690-7412-0	COVER, FAN	1		
10-37	K4205001970	DECAL, CAUTION SPOUTING COOLANT	1		
10-38	K4205001910	DECAL, CAUTION NOT TO GET CAUGHT IN	1		
10-39	PF1G345-7285-0	HOSE, (1, WATER)	1		
10-40	GM1700-0507Z2	MESH, ANTIDUST	1		
10-41	K0900300380	GROMMET, W/SEALING C30SG38A	2		
10-42	GM1700-0518Z0	PLATE COMP, RADIATOR (FRONT)	1		
10-43	K4205001580	DECAL, CAUTION TO INJURE	1		
10-44	K0000080252	BOLT, M8-25	2		
10-45	K5000080002	WASHER, M8	2		

# 11. Engine section B

GM1700

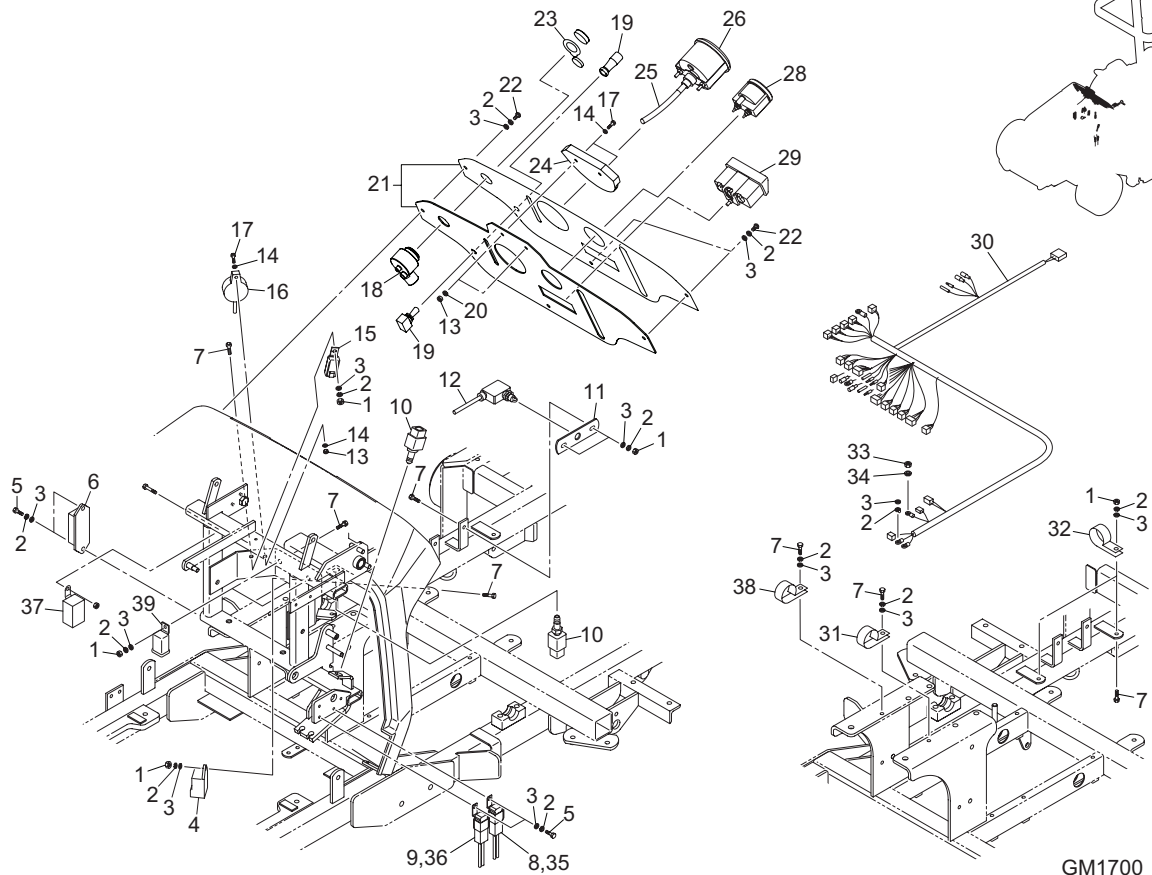


GM1700\_011\_a00

Cat No.	Code No.	Part name	Qty	Remark	SN of application
11-1	K0100060002	NUT, M6	6		
11-2	K0200060002	WASHER, SPRING M6	18		
11-3	K5000060002	WASHER, M6	18		
11-4	PF15694-6599-2	TIMER, GLOW LAMP	1		
11-5	K0000060152	BOLT, M6-15	4		
11-6	K3630000070	FUSE BLOCK, MINI 10P	1		
11-7	K0000060202	BOLT, M6-20	10		
11-8	K3630000160	FUSE BLOCK, FUSIBLE LINK 30A	1		
11-9	K3630000130	FUSE BLOCK, FUSIBLE LINK 50A	1		
11a-10	K3671000110	SWITCH, LIMIT 2 CIRCUIT NC	2		
11-11	GM1700-0521Z2	BRACKET, LIMIT SWITCH	1		
11-12	K3671000070	SWITCH, LIMIT SW-SL1-A	1		
11-13	K0100050002	NUT, M5	3		
11-14	K5000050002	WASHER, M5	3		
11-15	PF1K574-6022-1	RELAY COMP	1		
11-16	K3700000010	BUZZER, EBM-12 TYPE	1		
11-17	K0000050252	BOLT, M5-25	3		
11-18	PF15248-6359-2	SWITCH, STARTER	1		
11-19	K3662000030	SWITCH, TOGGLE FOR AUTO-RETURN ET1115G	1		
11-20	K0200050002	WASHER, SPRING M5	3		
11-21	GM1700-6545Z0	PANEL COMP, METER	1		
11-22	K0042060202	SCREW, + ROUND HEAD M6-20	3		
11-23	K1310000080	CAP, RUBBER FOR SWITCH	1		
11-24	K3654000010	GAUGE, ANGLE	1		
11-25	PF34150-3465-0	CABLE, HOUR METER	1		
11-26	PF15969-8301-0	HOUR METER ASSY	1		
11a-27					
11-28	PFR1401-53171	GAUGE, WATER TEMPERATURE	1		
11-29	K3641000070	LAMP, PILOT BOX	1		
11a-30	GM1700-6501A0	HARNESS	1		

# 11. Engine section B

GM1700



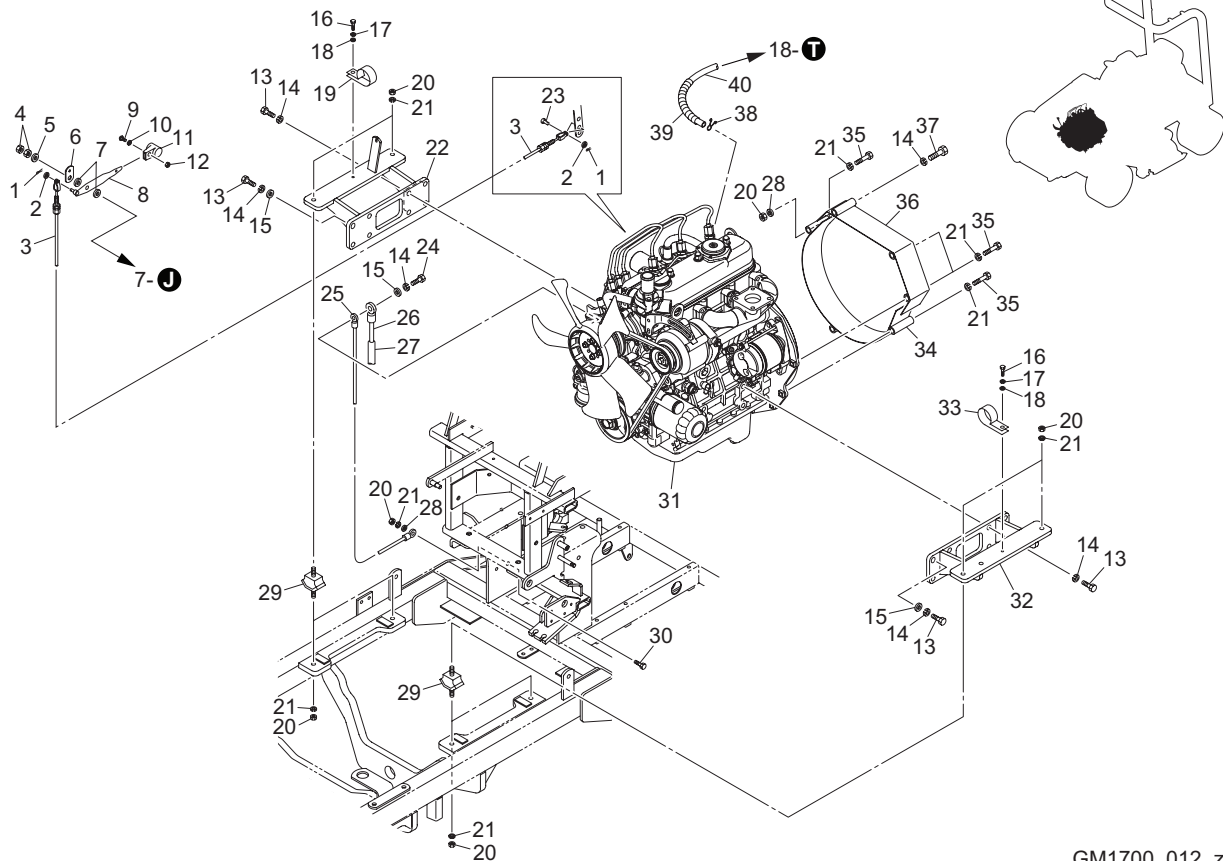
GM1700\_011\_a00

Cat No.	Code No.	Part name	Qty	Remark	SN of application
11-31	K4270022060	CLIP, HARNESS 22 M6	1		
11-32	K4270015060	CLIP, HARNESS 15 M6	2		
11-33	K0100080002	NUT, M8	1		
11-34	K0200080002	WASHER, SPRING M8	1		
11-35	K3631000190	FUSE, PLUG-IN 30A	1		
11-36	K3631000170	FUSE, PLUG-IN 50A	1		
11a-37	K3683000010	TIMER, OFF DELAY 0.9S	1		
11a-38	K4270040060	CLIP, HARNESS 40 M6	1		
11a-39	K3681000070	RELAY, POWER MR5A411A1K	2		



# 12. Engine section C

GM1700

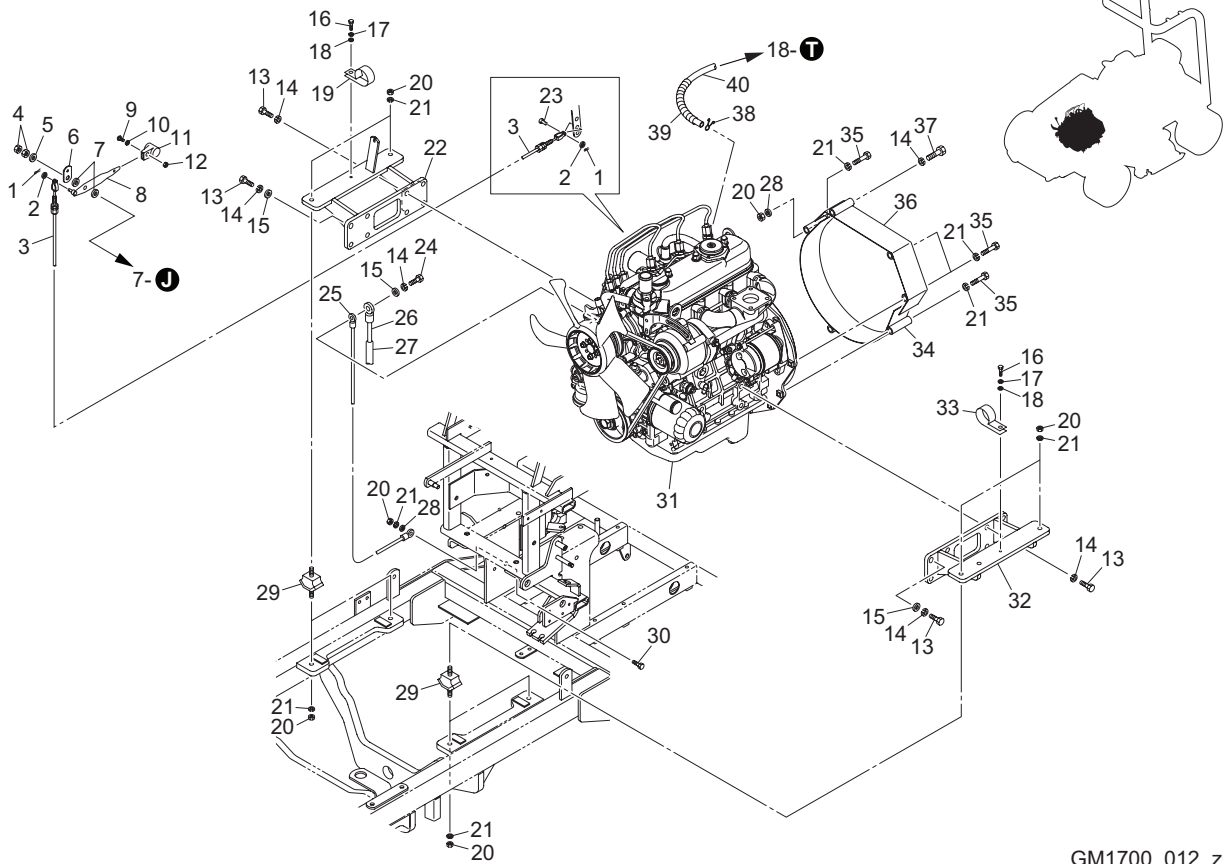


GM1700\_012\_z00

Cat No.	Code No.	Part name	Qty	Remark	SN of application
12-1	K0300020202	PIN, COTTER M2-20	2		
12-2	K5000050002	WASHER, M5	2		
12-3	K1110063000	WIRE, THROTTLE 630	1		
12-4	K0100100002	NUT, M10	2		
12-5	K0210100002	SPRING, CONICAL DISC L M10	1		
12-6	GM1600-0508Z2	PLATE, RETAINING	1		
12-7	K5051010220	WASHER, C5191P 1-10-22	2		
12-8	GM1600-0513A2	LEVER, THROTTLE	1		
12-9	K0042050082	SCREW, + ROUND HEAD M5-8	1		
12-10	K0200050002	WASHER, SPRING M5	1		
12-11	K1301000150	GRIP, PLASTIC THROTTLE LEVER	1		
12-12	K0100050002	NUT, M5	1		
12-13	K0017100252	BOLT, SMALL HT P1.25 M10-25	16		
12-14	K0200100002	WASHER, SPRING M10	18		
12-15	K5000100002	WASHER, M10	3		
12-16	K0000060152	BOLT, M6-15	2		
12-17	K0200060002	WASHER, SPRING M6	2		
12-18	K5000060002	WASHER, M6	2		
12-19	K4270015060	CLIP, HARNESS 15 M6	1		
12-20	K0100080002	NUT, M8	10		
12-21	K0200080002	WASHER, SPRING M8	14		
12-22	GM1700-0501ZD	BASE, ENGINE (R)	1		
12-23	K6030050122	PIN, FLAT HEAD M5-12	1		
12-24	K0001100202	BOLT, P1.25 M10-20	1		
12-25	K3611000430	WIRE, TO EARTH 500	1		
12-26	K3611000420	WIRE, TO EARTH 1000	1		
12-27	K3195009500	TUBE, CORRUGATED 15-950	1		
12-28	K5000080002	WASHER, M8	2		
12-29	K4040000150	RUBBER, VIBRATION PROOF EC4001	4		
12-30	K0000080202	BOLT, M8-20	1		

# 12. Engine section C

GM1700

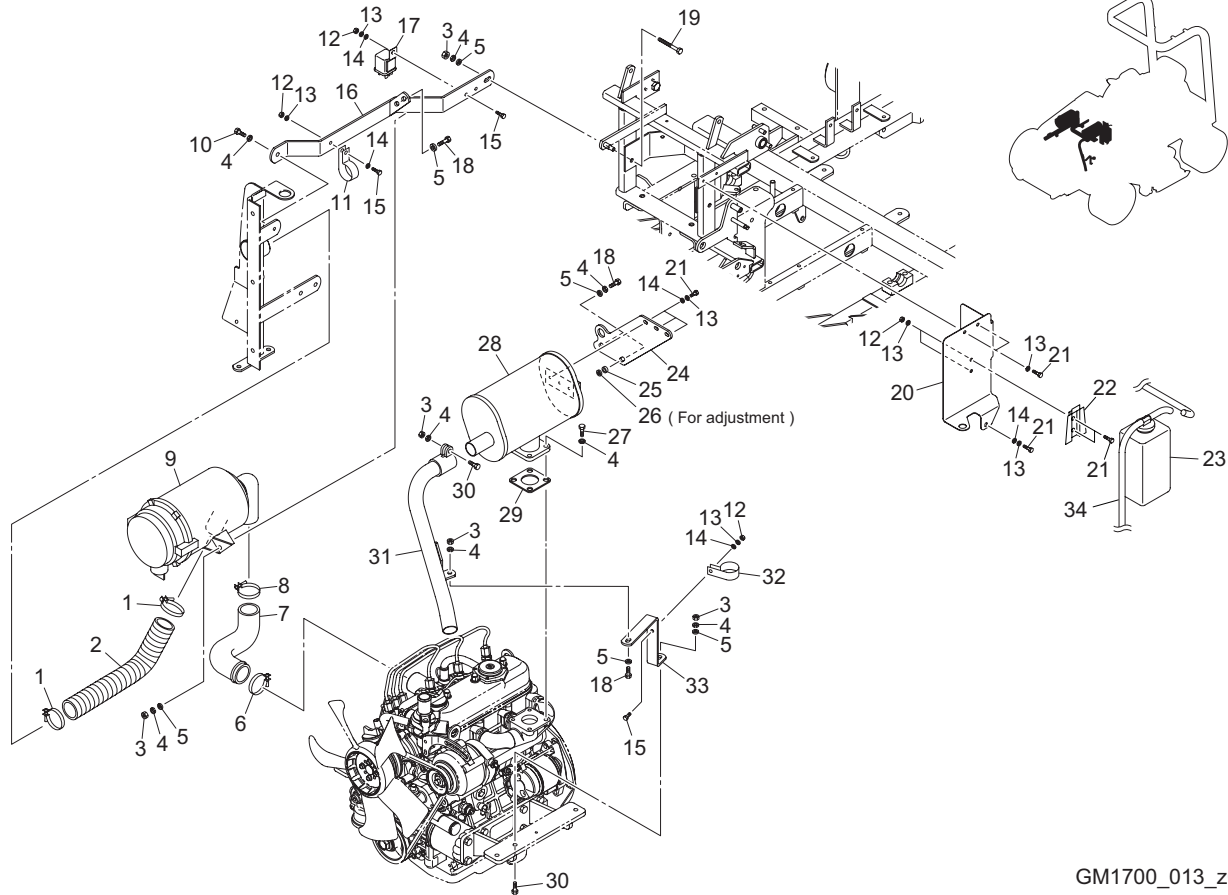


GM1700\_012\_z00

Cat No.	Code No.	Part name	Qty	Remark	SN of application
12-31	K2691000130	ENGINE, D1105-E3B-RMKY-2	1		
12-32	GM1700-0502ZD	BASE, ENGINE (L)	1		
12-33	K4270022060	CLIP, HARNESS 22 M6	1		
12-34	GM1700-0508ZD	COVER, FLYWHEEL (LOWER)	1		
12-35	K0000080802	BOLT, M8-80	5		
12-36	GM1700-0509ZD	COVER, FLYWHEEL (UPPER)	1		
12-37	K0004100802	BOLT, P1.25 M10-80	1		
12-38	PF14971-4275-1	CLIP, PIPE	1		
12-39	K3194120500	TUBE, CORRUGATED 10-2050	1		
12-40	PF09661-4210-0	TUBE, FUEL	1		

# 13. Engine section D

GM1700

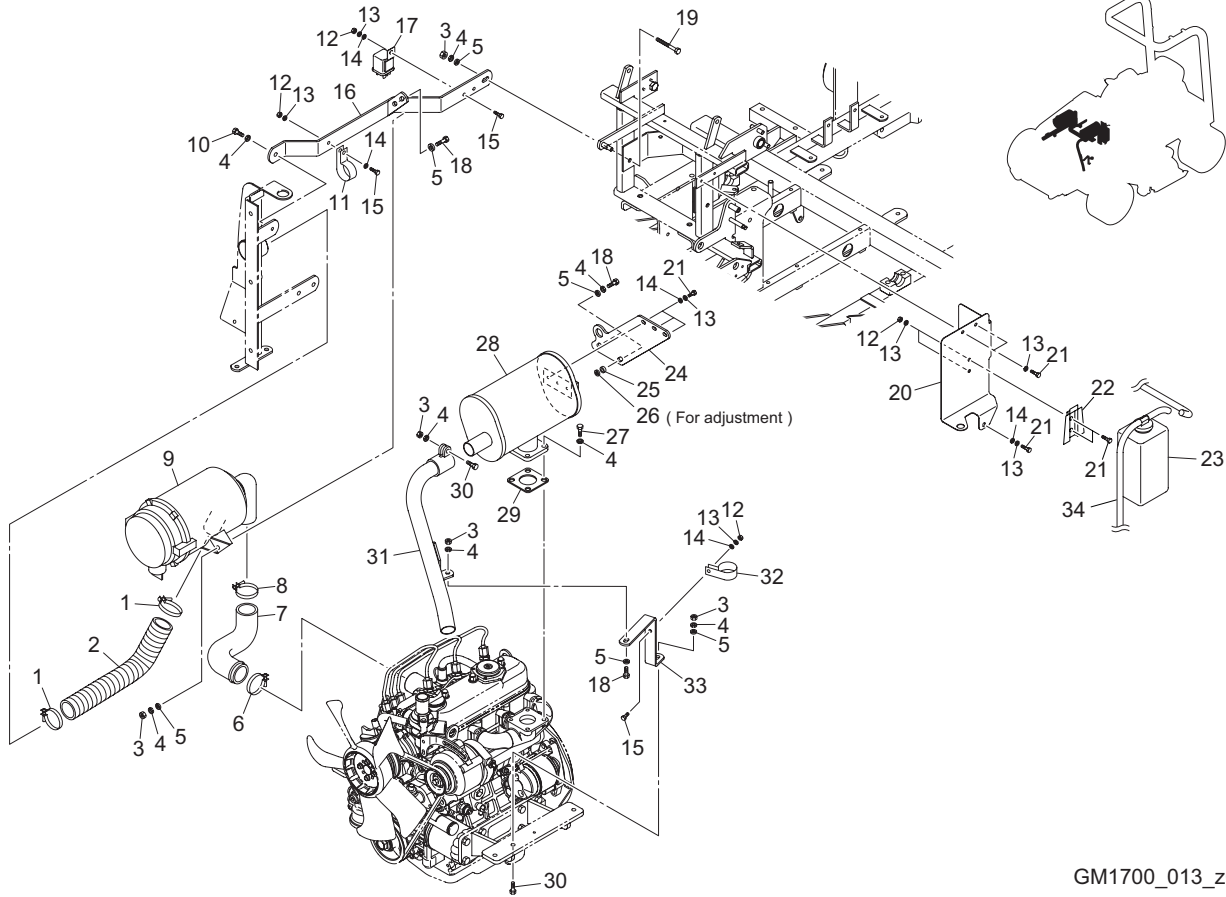


GM1700\_013\_z02

Cat No.	Code No.	Part name	Qty	Remark	SN of application
13-1	K4262057000	CLAMP, LS BAND 57	2		
13-2	K3170004500	HOSE, 50 BANNER A 450	1		
13-3	K0100080002	NUT, M8	6		
13-4	K0200080002	WASHER, SPRING M8	13		
13-5	K5000080002	WASHER, M8	9		
13-6	PF15401-1172-1	BAND, PIPE	1		
13-7	GM1600-0524Z0	PIPE, AIR CLEANER	1		
13-8	PF15221-1172-2	BAND, PIPE	1		
13-9	PF17407-1101-3	AIR CLEANER ASSY	1		
13-10	K0000080152	BOLT, M8-15	1		
13-11	K4270015060	CLIP, HARNESS 15 M6	1		
13-12	K0100060002	NUT, M6	5		
13-13	K0200060002	WASHER, SPRING M6	11		
13-14	K5000060002	WASHER, M6	7		
13-15	K0000060202	BOLT, M6-20	3		
13-16	GM1700-0503ZD	BRACKET, AIR CLEANER	1		
13-17	K3681000070	RELAY, POWER MR5A411A1K	1		
13-18	K0000080252	BOLT, M8-25	5		
13-19	K0000080402	BOLT, M8-40	1		
13-20	GM1700-0512ZD	PLATE, HEAT SHIELD	1		
13-21	K0000060152	BOLT, M6-15	8		
13-22	PF11982-7246-1	STAY, RESERVOIR TANK	1		
13-23	PFRC411-4268-1	TANK ASSY, RESERVE	1		
13-24	GM1600-0566ZU	LPLATE, SUPPORT	1		
13-25	K6212003862	COLLAR, STKM M8.5-17-7	2		
13-26	K5000080002	WASHER, M8	0-4	For adjustment	
13-27	K0000080202	BOLT, M8-20	4		
13-28	PF1G324-1211-0	MUFFLER	1		
13-29	PF15263-1237-0	PACKING, MUFFLER NA	1		
13-30	K0000080302	BOLT, M8-30	2		

# 13. Engine section D

GM1700

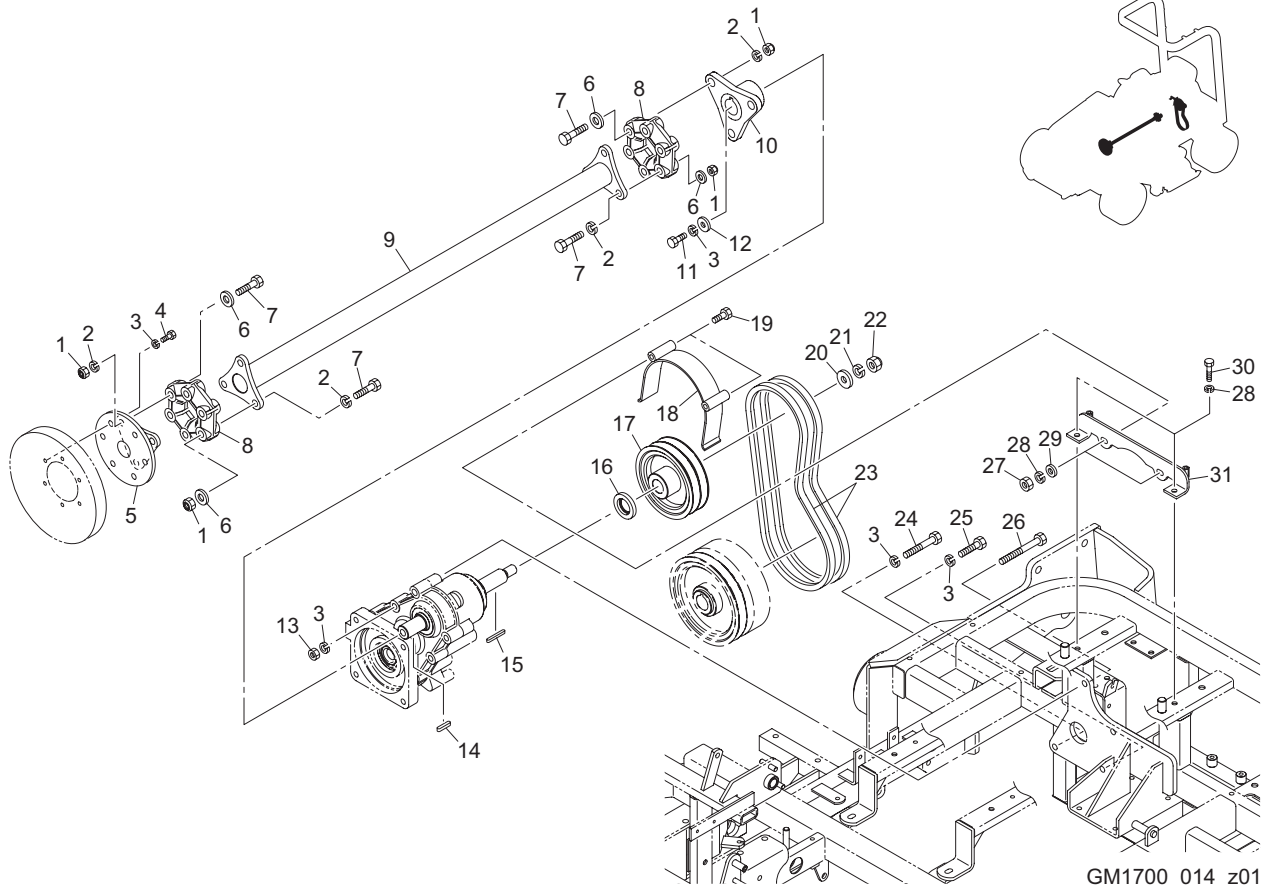


GM1700\_013\_z02

Cat No.	Code No.	Part name	Qty	Remark	SN of application
13-31	GM1600-0561ZU	PIPE, MUFFLER	1		
13-32	K4270022060	CLIP, HARNESS 22 M6	1		
13-33	GM1700-0511ZD	BRACKET, MUFFLER PIPE	1		
13-34	K3172807000	HOSE, VYNIL 7*9-700	1		

# 14. Transmission section A

GM1700

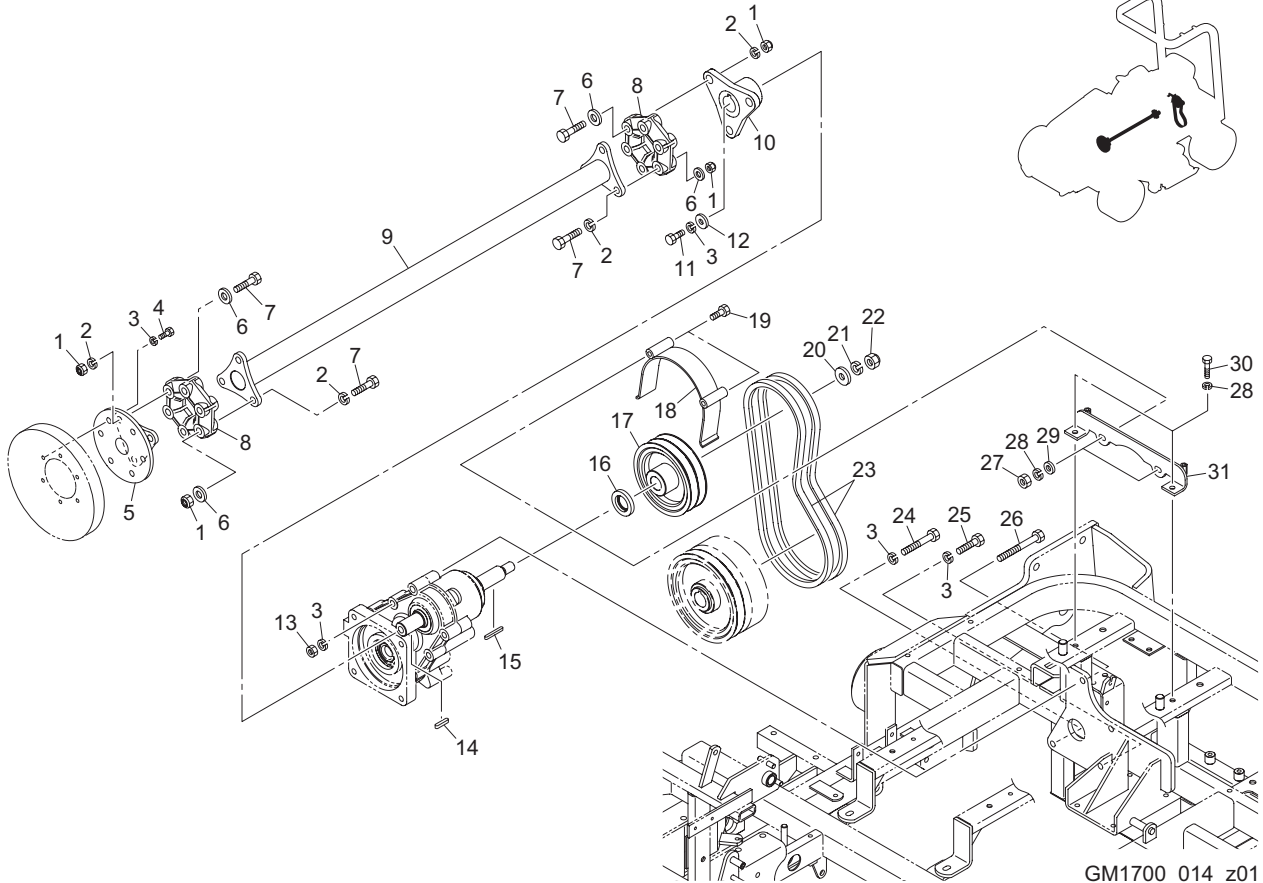


GM1700\_014\_z01

Cat No.	Code No.	Part name	Qty	Remark	SN of application
14-1	K0145120002	NUT, WITH F-RING, P1.5 M12	12		
14-2	K0200120002	WASHER, SPRING M12	12		
14-3	K0200100002	WASHER, SPRING M10	11		
14-4	K0017100252	BOLT, SMALL HT P1.25 M10-25	6		
14-5	GM1600-0101A2	BRACKET, JOINT SHAFT (FRONT)	1		
14-6	K5012312222	WASHER, SPCC 2.3-12-22	12		
14-7	K0004120602	BOLT, P1.5 M12-60	12		
14-8	K4060000030	RUBBER, COUPLING CGM-5503	2		
14-9	GM1500-0115AD	PIPE, JOINT	1		
14-10	GM1600-0102A2	BRACKET, JOINT SHAFT (REAR)	1		
14-11	K0010100202	BOLT, HT M10-20	1		
14-12	K5073210352	WASHER, SPHC 3.2-10-35	1		
14-13	K0100100002	NUT, M10	2		
14-14	K0500707350	KEY, BOTH ROUND M7-735.5	1		
14-15	K0500606500	KEY, BOTH ROUND M6-650	1		
14-16	GM1600-0109Z8	COLLAR, PULLEY	1		
14-17	GM1700-0103Z2	PULLEY, #1 SHAFT 135	1		
14-18	GM1700-0106Z2	STOPPER, BELT (UPPER)	1		
14-19	K0000080702	BOLT, M8-70	2		
14-20	K5074516402	WASHER, SPHC 4.5-16-40	1		
14-21	K0200160002	WASHER, SPRING M16	1		
14-22	K0144160002	NUT, WITH F-RING, M16	1		
14-23	K2344037000	BELT, V GLB A-4 37	2		
14-24	K0000100702	BOLT, M10-70	1		
14-25	K0000100402	BOLT, M10-40	1		
14-26	K0003101202	BOLT, M10-120	2		
14-27	K0100080002	NUT, M8	2		
14-28	K0200080002	WASHER, SPRING M8	4		
14-29	K5000080002	WASHER, M8	2		
14-30	K0000080402	BOLT, M8-40	2		

# 14. Transmission section A

GM1700

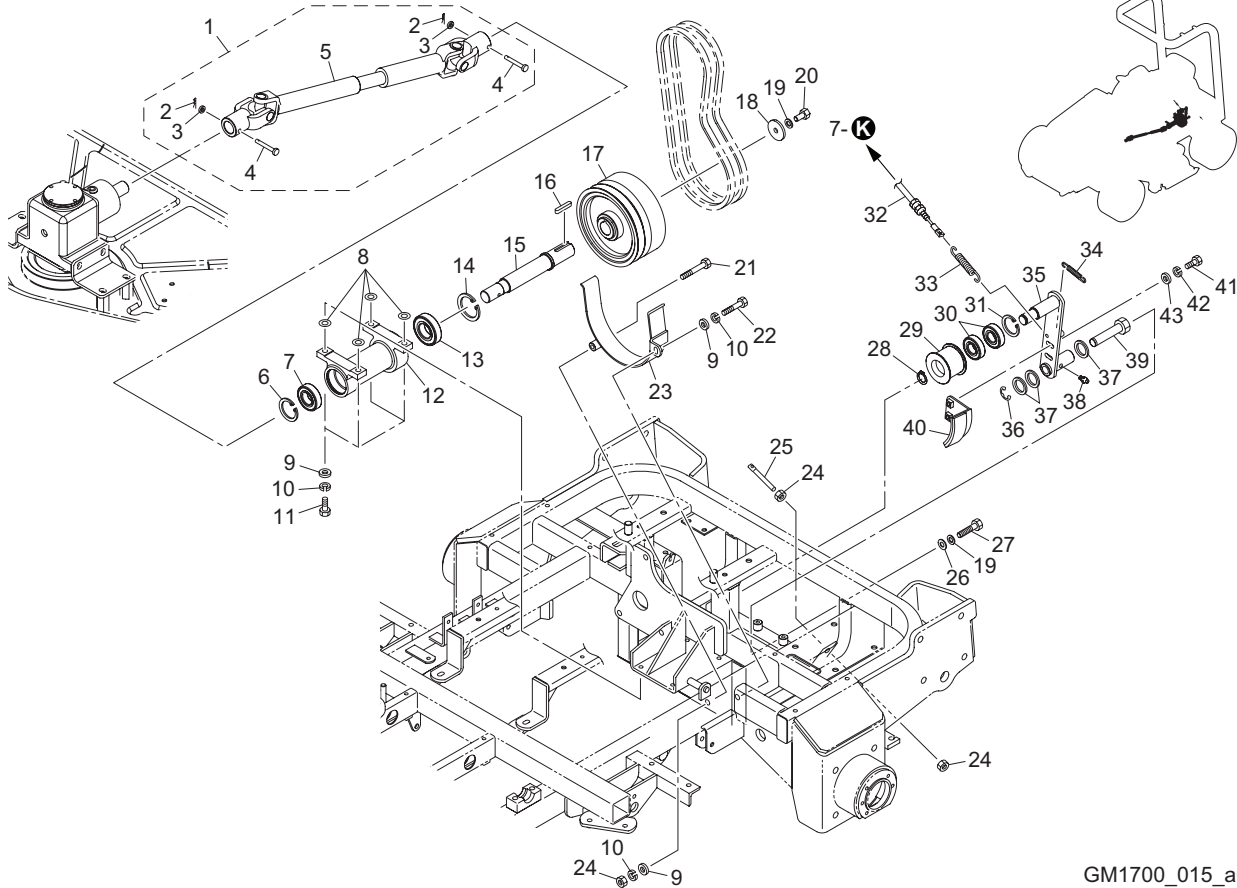


GM1700\_014\_z01

Cat No.	Code No.	Part name	Qty	Remark	SN of application
14-31	GM1700-0104A2	BRACKET, BELT STOPPER	1		

# 15. Transmission section B

GM1700

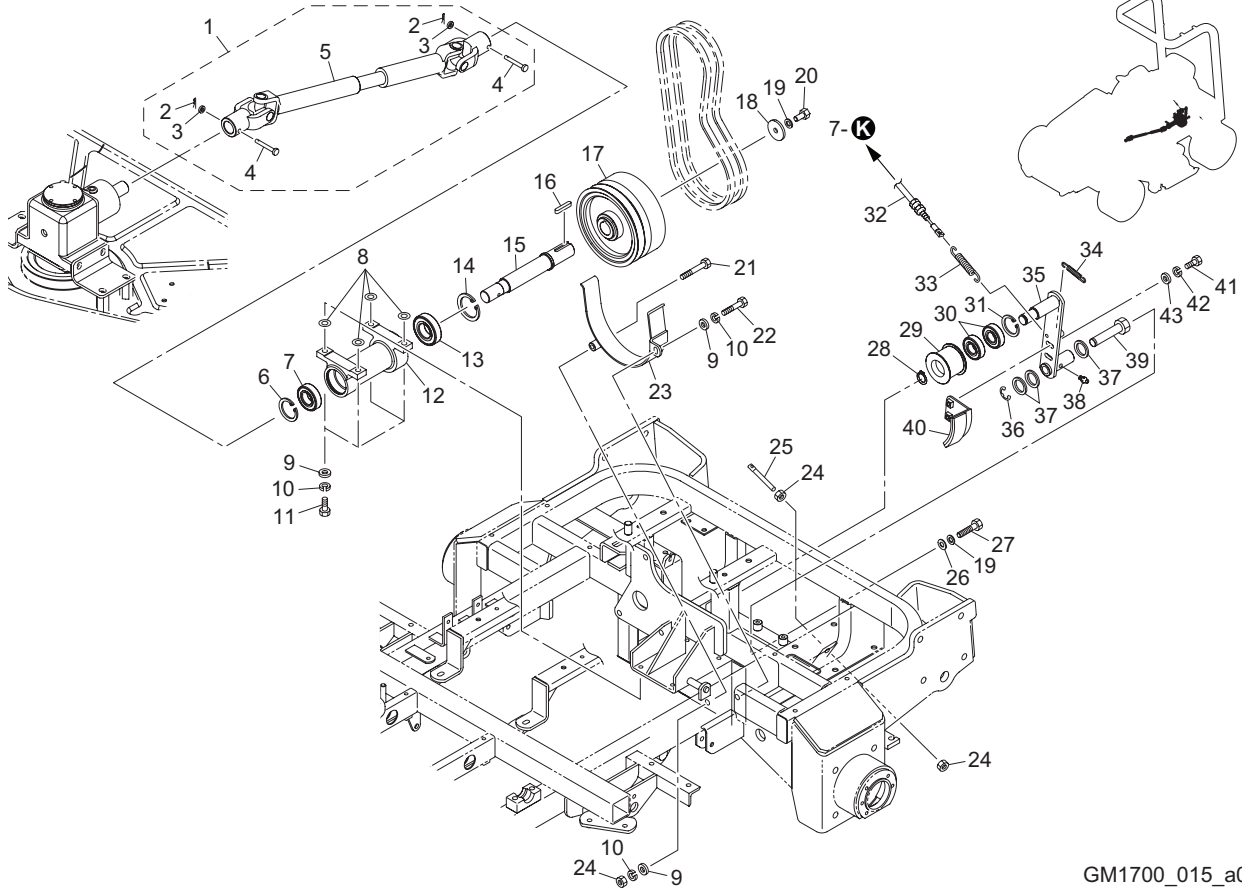


GM1700\_015\_a00

Cat No.	Code No.	Part name	Qty	Remark	SN of application
15-1	K8200000060	JOINT ASSY, UNIVERSAL	1		
15-2	K0300025202	PIN, COTTER M2.5-20	2		
15-3	K5000060002	WASHER, M6	2		
15-4	K6031060498	PIN, FLAT HEAD HT M6-49	2		
15-5	K1620000230	JOINT ASSY, UNIVERSAL	1		
15-6	K0402052001	RING, RETAINING R M52	1		
15-7	K0612062050	BEARING, BALL SEAL 2RD 6205	1		
15-8	K5060209160	WASHER, SPTC 0.29-9-16	0-4	For adjustment	
15-9	K5000080002	WASHER, M8	6		
15-10	K0200080002	WASHER, SPRING M8	6		
15-11	K0010080302	BOLT, HT M8-30	4		
15-12	GM1500-0117ZD	HOUSING, JOINT SHAFT	1		
15-13	K0612062060	BEARING, BALL SEAL 2RD 6206	1		
15-14	K0402062001	RING, RETAINING R M62	1		
15-15	GM1500A0145Z0	SHAFT, JOINT	1		
15-16	K0500707400	KEY, BOTH ROUND M7-740	1		
15a-17	GM1700-6101Z2	PULLEY JOINT SHAFT	1		
15-18	K5074510422	WASHER, SPHC 4.5-10-42	1		
15-19	K0200100002	WASHER, SPRING M10	2		
15-20	K0010100202	BOLT, HT M10-20	1		
15-21	K0000080702	BOLT, M8-70	1		
15-22	K0000080502	BOLT, M8-50	1		
15-23	GM1700-0107Z2	STOPPER, BELT (LOWER)	1		
15-24	K0100080002	NUT, M8	3		
15a-25	K6122000122	SHAFT, TAPPED WITH HOLE M8-45	1		
15-26	K5000100002	WASHER, M10	1		
15-27	K0000100452	BOLT, M10-45	1		
15-28	K0401020001	RING, RETAINING S M20	1		
15-29	K2471411552	PULLEY, TENSION 41155	1		
15-30	K0612062040	BEARING, BALL SEAL 2RD 6204	2		

# 15. Transmission section B

GM1700



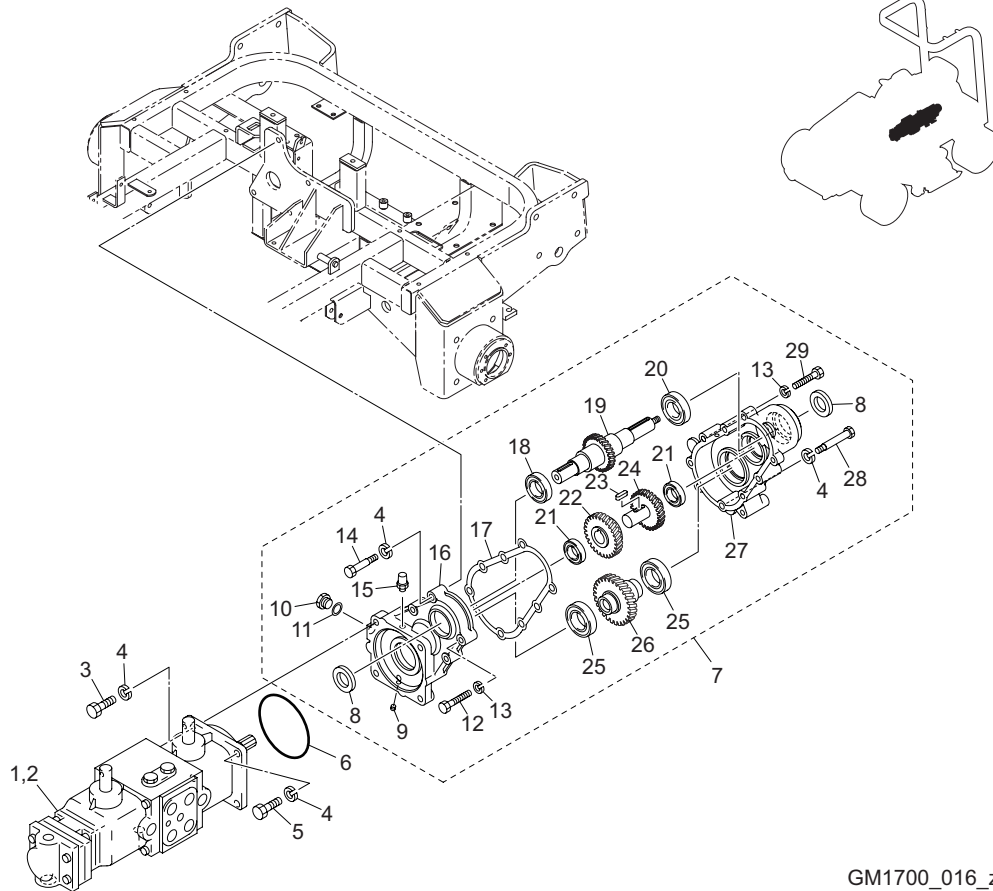
GM1700\_015\_a00

Cat No.	Code No.	Part name	Qty	Remark	SN of application
15-31	K0402047001	RING, RETAINING R M47	1		
15-32	K1140231500	WIRE, TENSION 2315	1		
15-33	K103000022D	SPRING, WITH U HOOK M3.2-16-64.2	1		
15a-34	K1030000098	SPRING, WITH U HOOK M1.6-12-66.8	1		
15-35	GM1700-0102Z2	LEVER, TENSION	1		
15-36	K0400012002	RING, RETAINING E M12	1		
15-37	K5011016222	WASHER, SPCC 1-16-22	3		
15-38	K1440000020	GREASE NIPPLE, C	1		
15-39	GM1700-0101A2	SHAFT, TENSION	1		
15a-40	GM1700-6104Z0	SHOE COMP	1		
15a-41	K0000080252	BOLT, M8-25	2		
15a-42	K0200080002	WASHER, SPRING M8	2		
15a-43	K5000080002	WASHER, M8	2		



# 16. Hydraulic section A

GM1700

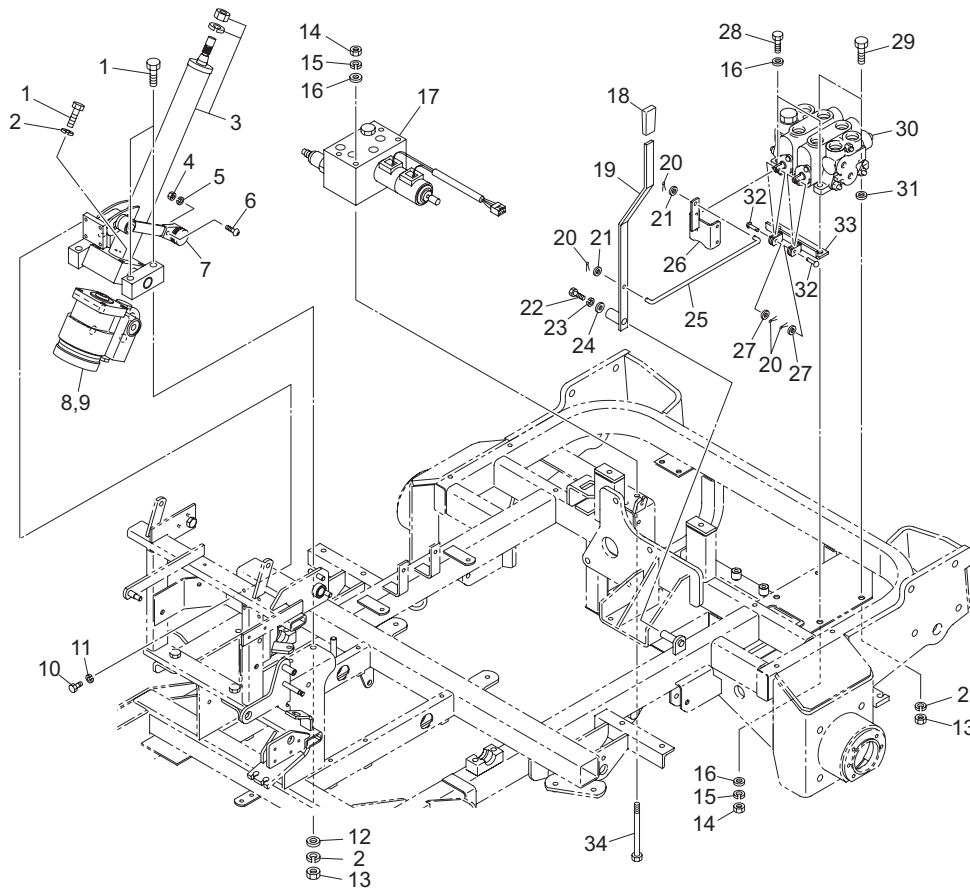


GM1700\_016\_z00

Cat No.	Code No.	Part name	Qty	Remark	SN of application
16-1	K3241000170	PUMP, PISTON PSV2-16A	1		
16-2	YB070A-51005	SEAL KIT, PSV2-16 PUMP	1		
16-3	K0000120302	BOLT, M12-30	3		
16-4	K0200120002	WASHER, SPRING M12	6		
16-5	K0000120252	BOLT, M12-25	1		
16-6	K0885120000	O-RING, S120	1		
16-7	GM1600-0751Z0	MISSION ASSY, HYDRAULIC PUMP	1		
16-8	K0823050080	OIL SEAL, MHA30508	2		
16-9	K1422202001-Y	PLUG, TAPER WITH HEX. HOLE 1/8-2	1		
16-10	K1420000042-Y	PLUG, OIL DRAIN 18 P1.5	1		
16-11	K4010217250	PACKING, OIL-SHEET 2-17.525	1		
16-12	K0003100502	BOLT, M10-50	1		
16-13	K0200100002	WASHER, SPRING M10	4		
16-14	K0071000660	BOLT, STOPPER M10-60	1		
16-15	K1430000022	PLUG, AIR	1		
16-16	K690100007D	GEARCASE FRONT	1		
16-17	K4011000250	PACKING, OIL-SHEET	1		
16-18	K0600060060	BEARING, BALL 6006	1		
16-19	GM1600-0798Z0	GEAR, 25-TEETH FOR #1 SHAFT	1		
16-20	K0618062060	BEARING, BALL R 6206	1		
16-21	K0618062050	BEARING, BALL R 6205	2		
16-22	GM1600-0704Z0	GEAR, 30-TEETH	1		
16-23	K0500707250	KEY, BOTH ROUND M7-725	1		
16-24	GM1600-0703Z0	GEAR, 27-TEETH	1		
16-25	K0600060070	BEARING, BALL 6007	2		
16-26	GM1600-0705Z0	GEAR, 34-TEETH	1		
16-27	GM1600-0701ZD	GEARCASE, REAR	1		
16-28	GM1600-0706Z0	BOLT, STOPPER M10-75	1		
16-29	K0000100702	BOLT, M10-70	3		

# 17. Hydraulic section B

GM1700

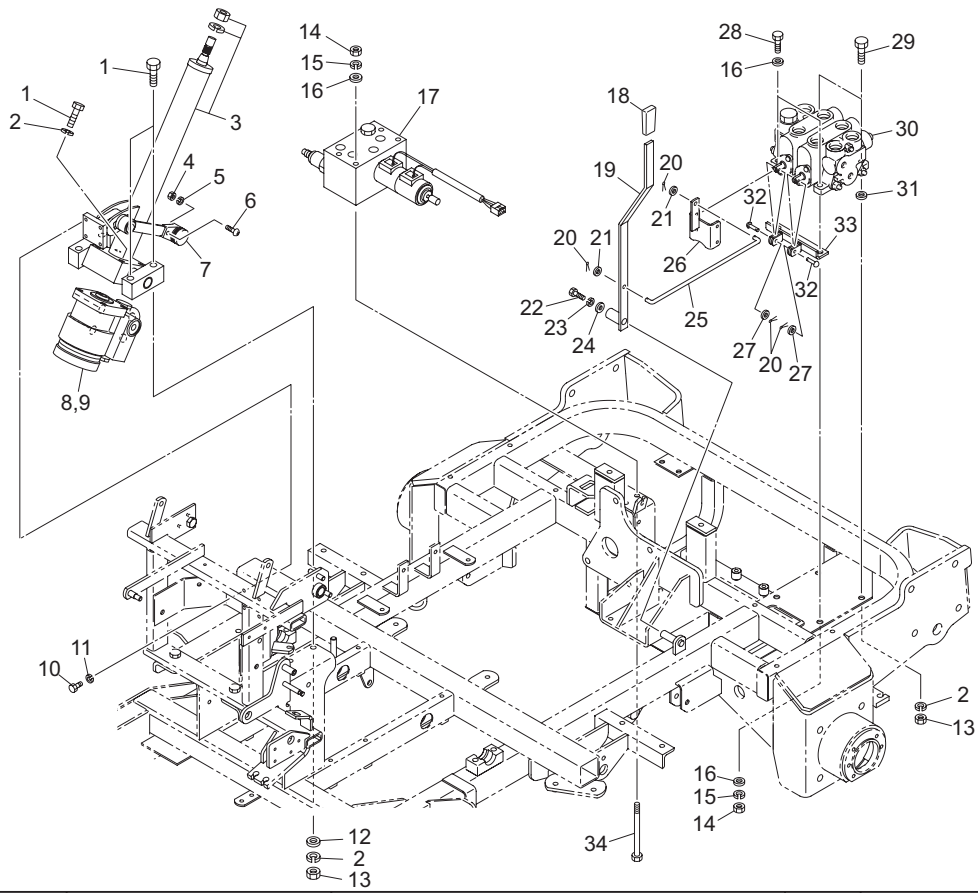


GM1700\_017\_z01

Cat No.	Code No.	Part name	Qty	Remark	SN of application
17-1	K0000100602	BOLT, M10-60	8		
17-2	K0200100002	WASHER, SPRING M10	10		
17-3	K1730000030	COLUMN, STEERING TILT TYPE	1		
17-4	K0100050002	NUT, M5	1		
17-5	K0200050002	WASHER, SPRING M5	1		
17-6	K0042050082	SCREW, + ROUND HEAD M5-8	1		
17-7	K1301000150	GRIP, PLASTIC THROTTLE LEVER	1		
17-8	K3294000040	STEERING, ORBIT ROLL WITH VD5XMED	1		
17-9	YBA0272A	SEAL KIT, ORBIT ROLL UAS070A08B2D	1		
17-10	K0000060202	BOLT, M6-20	4		
17-11	K0200060002	WASHER, SPRING M6	4		
17-12	K5000100002	WASHER, M10	4		
17-13	K0100100002	NUT, M10	6		
17-14	K0100080002	NUT, M8	6		
17-15	K0200080002	WASHER, SPRING M8	6		
17-16	K5000080002	WASHER, M8	8		
17-17	K3313000440	VALVE, SOLENOID HF78806-12	1		
17-18	K1301000130	GRIP, PLASTIC SQUARE	1		
17-19	GM1700-0705Z2	LEVER, SWITCHING	1		
17-20	K0300020202	PIN, COTTER M2-20	6		
17-21	K5000060002	WASHER, M6	2		
17-22	K0000060152	BOLT, M6-15	1		
17-23	K0200060002	WASHER, SPRING M6	1		
17-24	K5012306162	WASHER, SPCC 2.3-6-16	1		
17-25	GM1600-0728Z2	ROD	1		
17-26	GM1600-0727A2	LEVER	1		
17-27	K5000050002	WASHER, M5	4		
17-28	K0000080352	BOLT, M8-35	2		
17-29	K0000100352	BOLT, M10-35	2		
17-30	K3310000020	VALVE, KVS-65K-2	1		

# 17. Hydraulic section B

GM1700

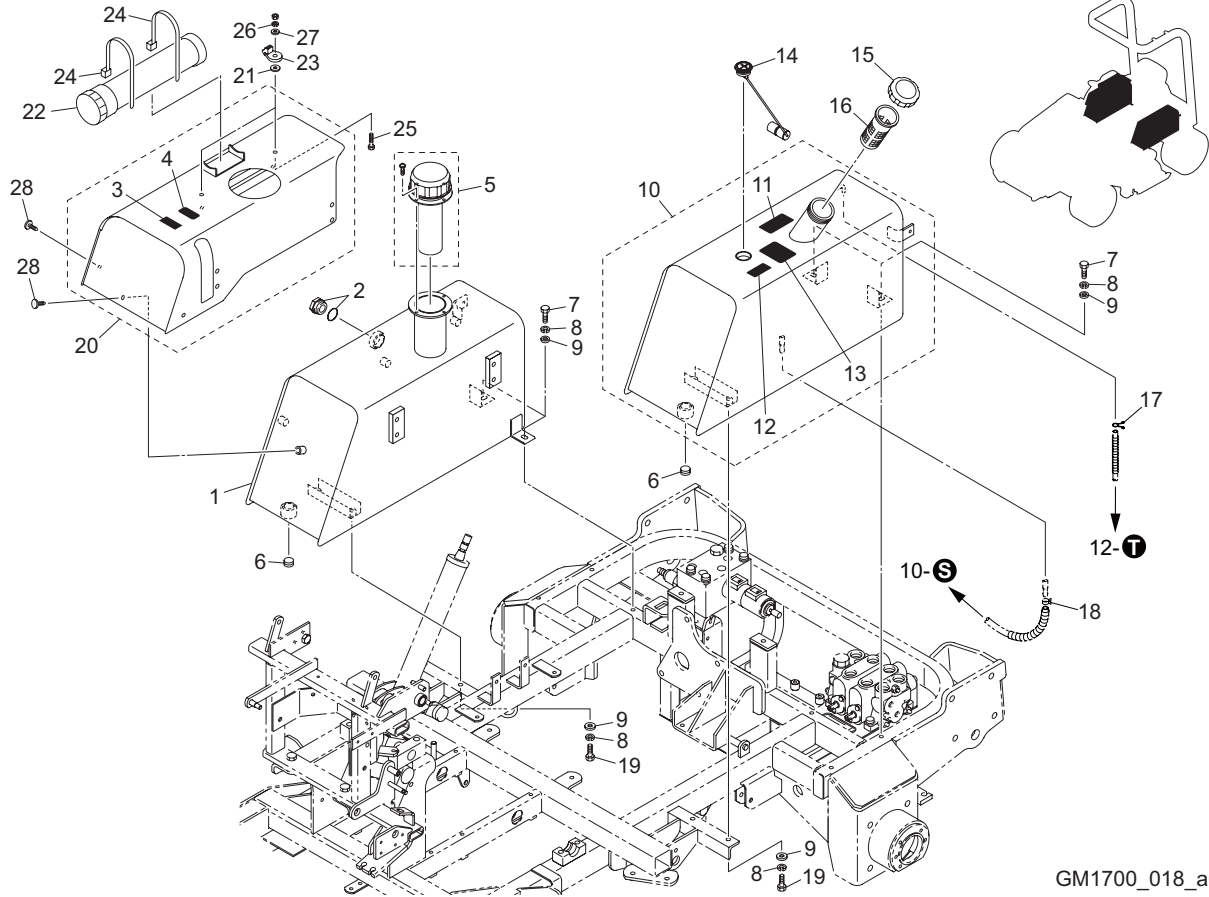


GM1700\_017\_z01

Cat No.	Code No.	Part name	Qty	Remark	SN of application
17-31	K5073210262	WASHER, SPHC 3.2-10-26	2		
17-32	K6041045208	PIN, ROUND HEAD HT M4.5-20	4		
17-33	GM1500-0705Z2	BRACKET, LEVER	1		
17-34	K0003081002	BOLT, M8-100	4		

# 18. Hydraulic section C

GM1700

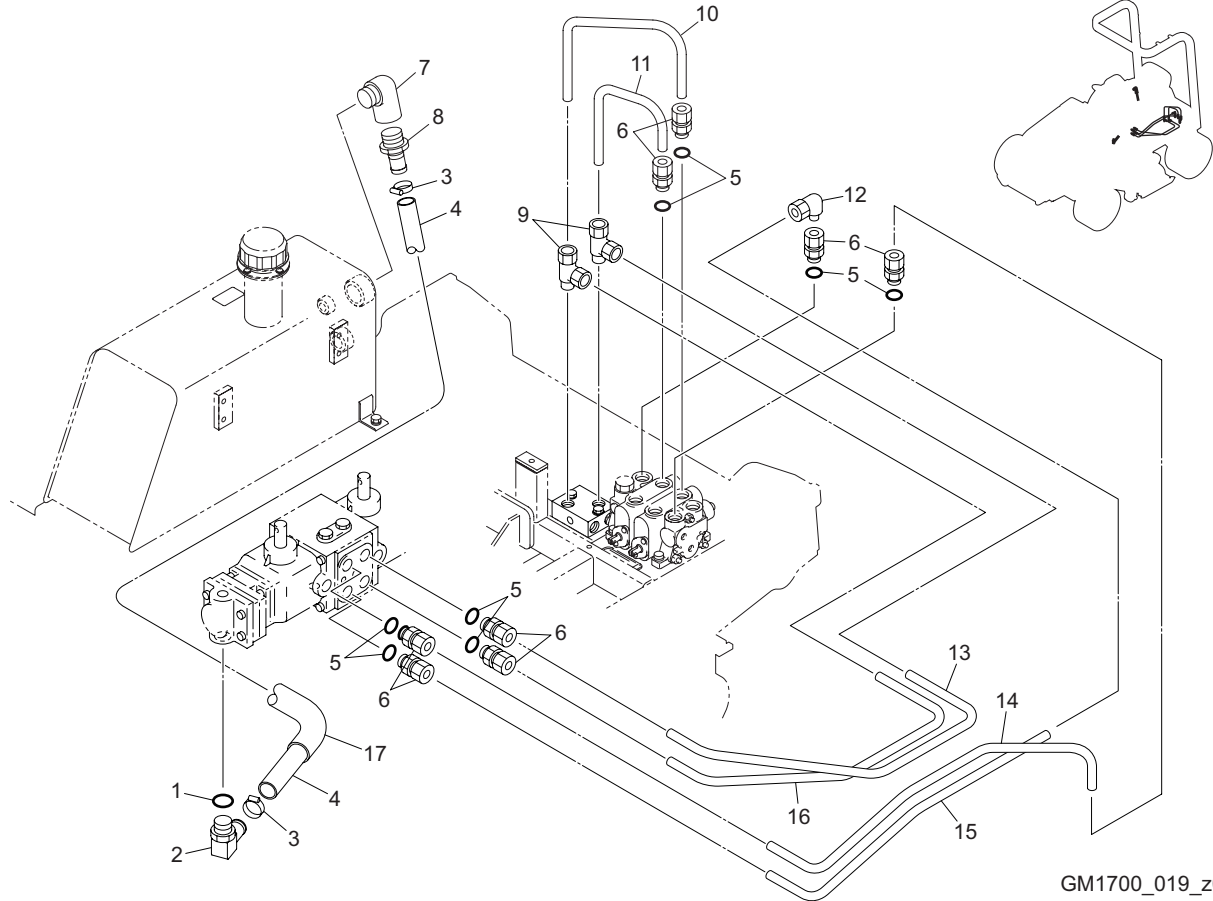


GM1700\_018\_a00

Cat No.	Code No.	Part name	Qty	Remark	SN of application
18a-1	GM1700-6707ZR-Y	TANK, HYDRAULIC	1		
18-2	K140000044-Y	GAUGE, OIL M TYPEPF3/4	1		
18-3	K4205001920	DECAL, CAUTION TO HOT PARTS	1		
18-4	K4209000980	DECAL, HYDRAULIC OIL	1		
18-5	K3400000020	BREATHER, REFUELING HOLE FA-50	1		
18-6	K1422106001-Y	PLUG, TAPER WITH HEX. HOLE T1, 3/8	2		
18-7	K0000080152	BOLT, M8-15	4		
18-8	K0200080002	WASHER, SPRING M8	8		
18-9	K5000080002	WASHER, M8	8		
18-10	GM1700-0722Z0	TANK, FUEL WITH DECAL	1		
18-11	K4203001510	DECAL, LEVER CHANGING 2WD / 4WD	1		
18-12	K4205001940	DECAL, CAUTION FIRE	1		
18-13	K4209001000	DECAL, DIESEL FUEL REFUELING HOLE	1		
18-14	K1400000060	GAGE, FUEL CJ19A	1		
18-15	K1410000070-Y	PLUG, OIL WITH AIR HOLE	1		
18-16	K3420000030	STRAINER, FUEL	1		
18-17	PF14971-4275-1	CLIP, PIPE	1		
18-18	PF14911-4275-1	CLIP, PIPE	1		
18-19	K0000080202	BOLT, M8-20	4		
18a-20	GM1700-6904Z0	COVER COMP, HYDRAULIC TANK	1		
18a-21	K5074510262	WASHER, SPHC 4.5-10-26	2		
18a-22	K5920000130	CASE, FOR MANUALS	1		
18a-23	K4241000140	BAND, PLASTIC TIE MOUNT CL8-SB8	2		
18a-24	K4241000130	BAND, PLASTIC TRCV-450W	2		
18a-25	K0000060202	BOLT, M6-20	2		
18a-26	K0200060002	WASHER, SPRING M6	2		
18a-27	K5000060002	WASHER, M6	2		
18a-28	K4021000020	BRUSH CLIP, 085H	4		

# 19. Hydraulic section D

GM1700

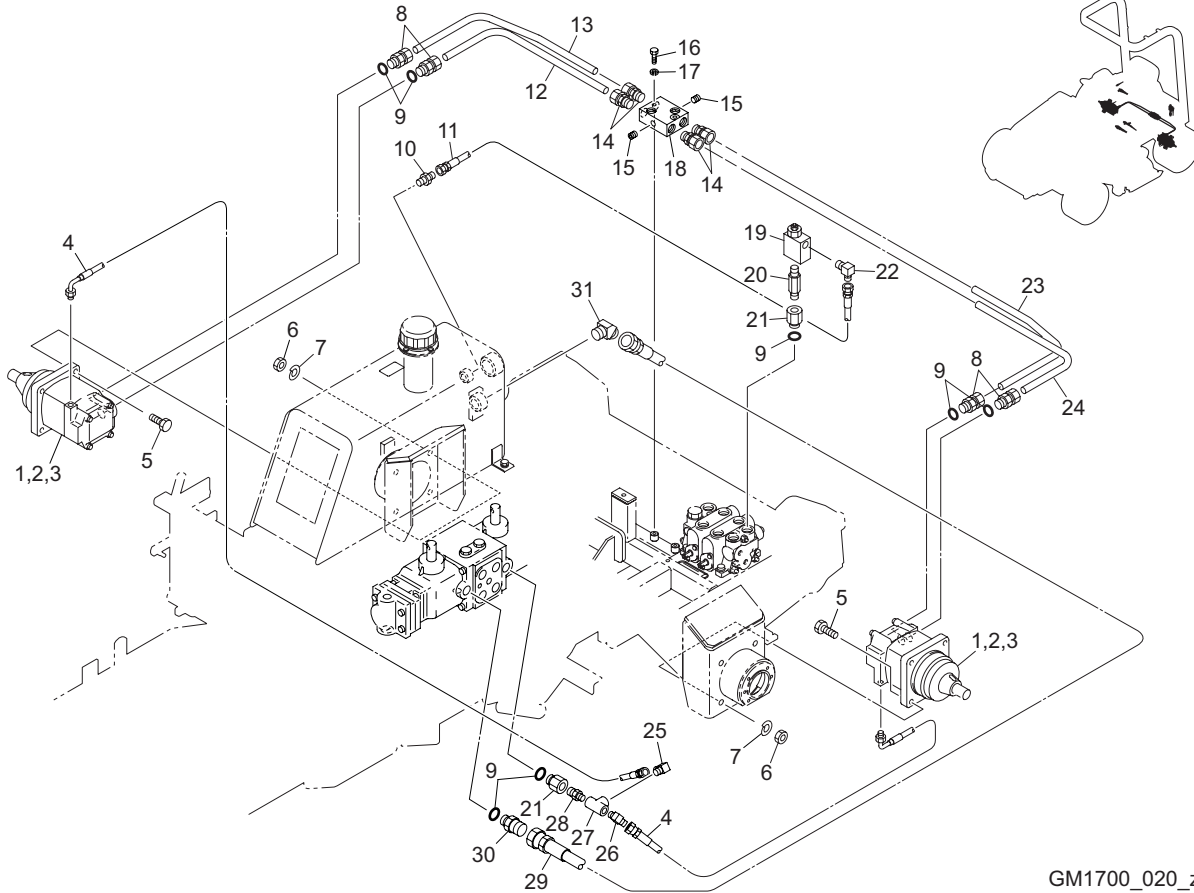


GM1700\_019\_z01

Cat No.	Code No.	Part name	Qty	Remark	SN of application
19-1	K0881024000	O-RING, P24B	1		
19-2	K3008000602-Y	CONNECTOR, MALE 90 DEG 16-3/4	1		
19-3	K4260000190	CLAMP, HOSE JUBILEE BAND 1	2		
19-4	GM1600-0797Z0	HOSE, WP35-25-850	1		
19-5	K0881018000	O-RING, P18B	8		
19-6	K3026315081-Y	CONNECTOR, KCO 15-040E	8		
19-7	K3022160002-Y	ELBOW, FEMALE-MALE STEPT1	1		
19-8	K3009000132-Y	ADAPTOR, MO-JS-25	1		
19-9	K3026715081-Y	TEE, KTK 15-040E	2		
19-10	GM1600-0716Z2-Y	PIPE, FOR VALVE A2 PORT	1		
19-11	GM1600-0715Z2-Y	PIPE, FOR VALVE A1 PORT	1		
19-12	K3027115001-Y	ELBOW, KLC 15-000E	1		
19-13	GM1600-0712Z2-Y	PIPE, FOR PUMP P1 PORT	1		
19-14	GM1700-0714Z2-Y	PIPE, FOR PUMP P4 PORT	1		
19-15	GM1700-0713Z2-Y	PIPE, FOR PUMP P3 PORT	1		
19-16	GM1600-0711Z2-Y	PIPE, FOR PUMP P2 PORT	1		
19-17	K3172507500	HOSE, VINYL 38*44-750	1		

# 20. Hydraulic section E

GM1700

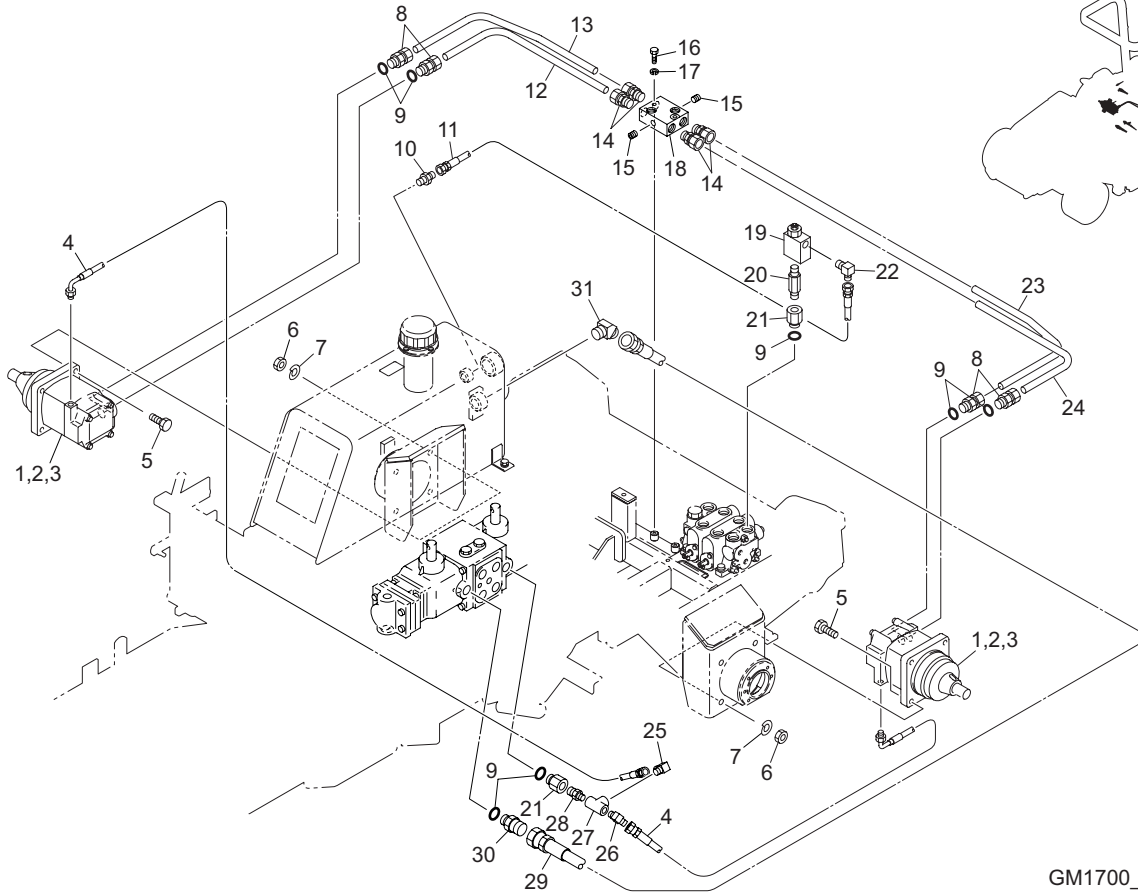


GM1700\_020\_z00

Cat No.	Code No.	Part name	Qty	Remark	SN of application
20-1	K3291000190	MOTOR, WHEEL 2-200BS4S	2		
20-2	Y61090S	SEAL KIT, 2000 ORBIT MOTOR (REAR)	2		
20-3	Y61091S	SEAL KIT, 2000 ORBIT MOTOR (SHAFT)	2		
20-4	K3145000830	HOSE, NWP35-6-650	2		
20-5	K0000120452	BOLT, M12-45	8		
20-6	K0100120002	NUT, M12	8		
20-7	K0200120002	WASHER, SPRING M12	8		
20-8	K3026315081-Y	CONNECTOR, KCO 15-040E	4		
20-9	K0881018000	O-RING, P18B	8		
20-10	K3000060002-Y	ADAPTOR, 1013-6	1		
20-11	K3101211250	HOSE, WP70-6-1-1250	1		
20-12	GM1600-0720Z2-Y	PIPE, FOR RIGHT MOTOR A PORT	1		
20-13	GM1600-0721Z2-Y	PIPE, FOR RIGHT MOTOR B PORT	1		
20-14	K3026615081-Y	CONNECTOR, KCT 15-040E	4		
20-15	K1422104001-Y	PLUG, TAPER WITH HEX. HOLE T1, 1/4	2		
20-16	K0000080452	BOLT, M8-45	2		
20-17	K0200080002	WASHER, SPRING M8	2		
20-18	K6090000462-Y	FITTING, CONNECTING HYDRAULIC PARTS	1		
20-19	K3315000020	VALVE, RELIEF	1		
20-20	K3029000182-Y	NIPPLE, LONG PT3/8	1		
20-21	K3029000042-Y	BUSHING, PF1/2*PT3/8	2		
20-22	K3006000012-Y	ELBOW, ODD SIZED PT3/8*PF1/4	1		
20-23	GM1600-0722Z2-Y	PIPE, FOR LEFT MOTOR A PORT	1		
20-24	GM1600-0723Z2-Y	PIPE, FOR LEFT MOTOR B PORT	1		
20-25	K3001060002-Y	ELBOW, 90 DEG 1033-6	1		
20-26	K3003060002-Y	ELBOW, 45 DEG 1035-6	1		
20-27	K3021040002-Y	TEE, TEF PT1/4	1		
20-28	K3029000211-Y	NIPPLE, ODD SIZED PT3/8*PT1/4	1		
20-29	K3100611650	HOSE, WP35-19-1-1650	1		
20-30	K3008000592-Y	CONNECTOR, ODD SIZED 1084-3/4-1/2-S	1		

# 20. Hydraulic section E

GM1700

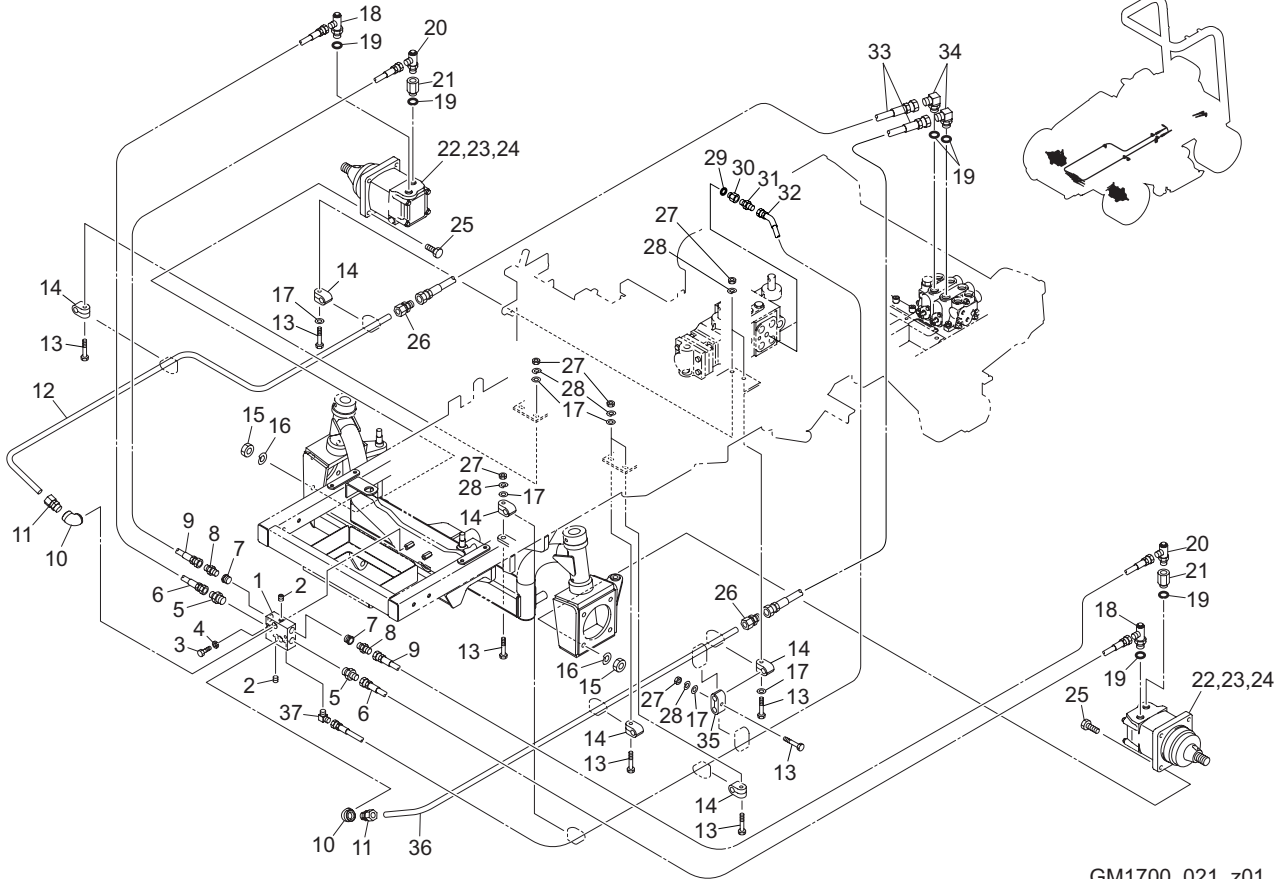


GM1700\_020\_z00

Cat No.	Code No.	Part name	Qty	Remark	SN of application
20-31	K3003190002-Y	ELBOW, 45 DEG 1035-19	1		

# 21. Hydraulic section F

GM1700



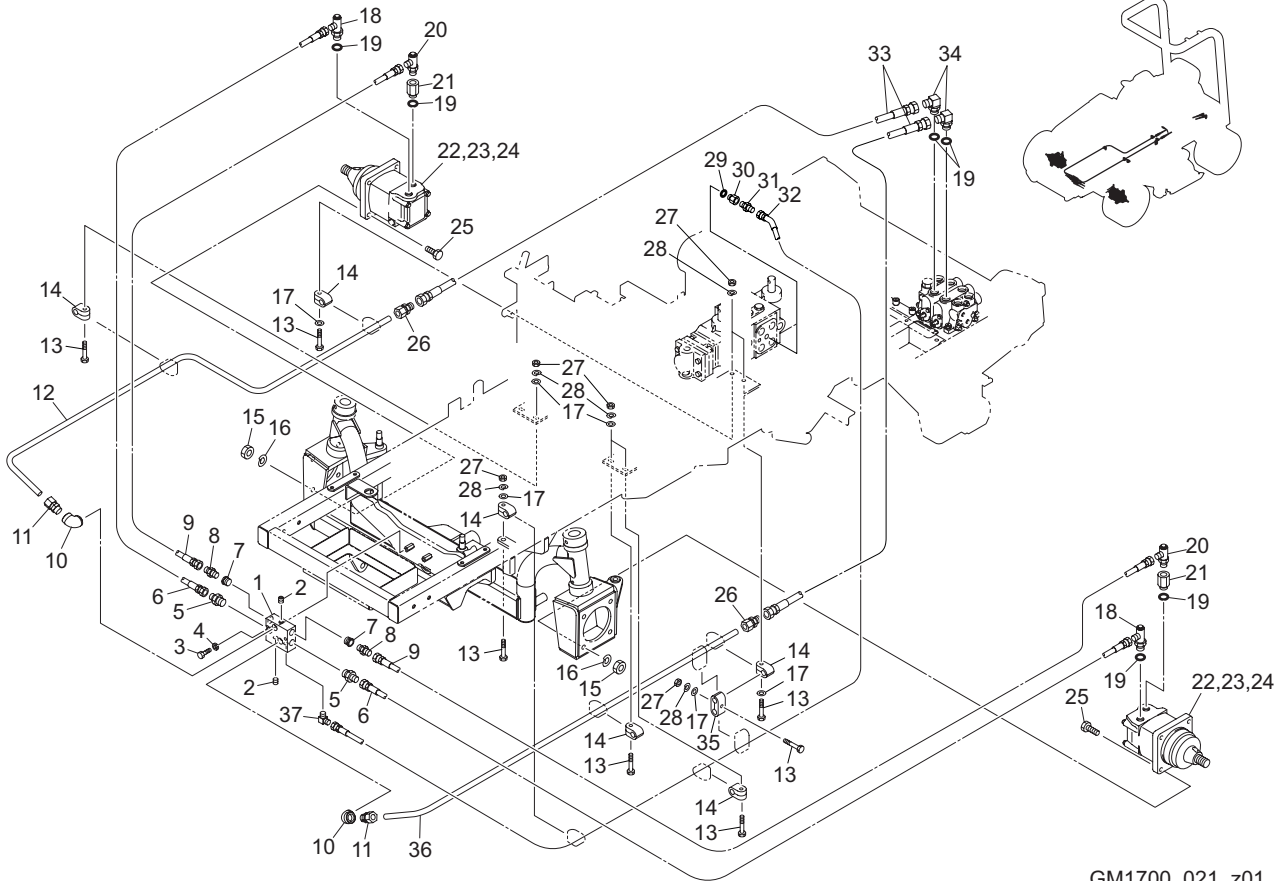
GM1700\_021\_z01

Cat No.	Code No.	Part name	Qty	Remark	SN of application
21-1	GM1700-0701Z2-Y	FITTING, HYDRAULIC PIPES	1		
21-2	K1422104001-Y	PLUG, TAPER WITH HEX. HOLE T1, 1/4	2		
21-3	K0000080452	BOLT, M8-45	2		
21-4	K0200080002	WASHER, SPRING M8	2		
21-5	K3007000022-Y	ADAPTOR, ODD SIZED PT1/2*PF3/8	2		
21-6	K3105310460	HOSE, WP210-9-1-460	2		
21-7	K3020080601-Y	BUSHING, BUT 1/2*3/8	2		
21-8	K3000090002-Y	ADAPTOR, 1013-9	2		
21-9	K3105310490	HOSE, WP210-9-1-490	2		
21-10	K3022080002-Y	ELBOW, FEMALE-MALE STE PT1/2	2		
21-11	K3026615081-Y	CONNECTOR, KCT 15-040E	2		
21-12	GM1700-0703Z2-Y	PIPE, FRONT MOTOR (R)	1		
21-13	K0000060402	BOLT, M6-40	7		
21-14	K4260000220	CLAMP, PIPE LN15	6		
21-15	K0100120002	NUT, M12	8		
21-16	K0200120002	WASHER, SPRING M12	8		
21-17	K5000060002	WASHER, M6	7		
21-18	K3052000012-Y	JOINT, SWIVEL JL0608GAO	2		
21-19	K0881018000	O-RING, P18B	6		
21-20	K3052000022-Y	JOINT, SWIVEL JL06GC	2		
21-21	K3029000332-Y	BUSHING, PF1/2*PT3/8	2		
21-22	K3291000190	MOTOR, WHEEL 2-200BS4S	2		
21-23	Y61090S	SEAL KIT, 2000 ORBIT MOTOR (REAR)	2		
21-24	Y61091S	SEAL KIT, 2000 ORBIT MOTOR (SHAFT)	2		
21-25	K0000120452	BOLT, M12-45	8		
21-26	K3027315081-Y	UNION, DFE0953	2		
21-27	K0100060002	NUT, M6	7		
21-28	K0200060002	WASHER, SPRING M6	7		
21-29	K0881011000	O-RING, P11B	1		
21-30	K3029000032-Y	BUSHING, PF1/4*PT1/4	1		



# 21. Hydraulic section F

GM1700

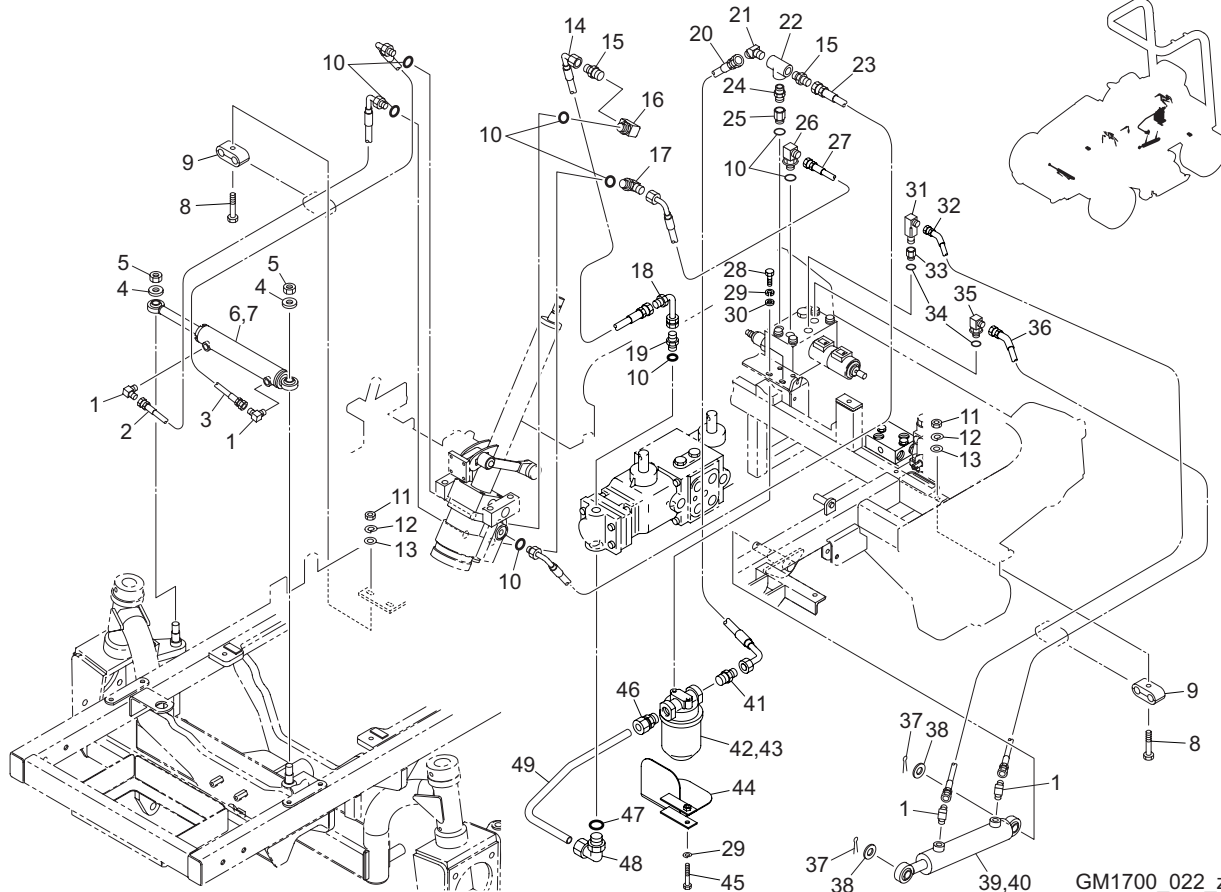


GM1700\_021\_z01

Cat No.	Code No.	Part name	Qty	Remark	SN of application
21-31	K3000060002-Y	ADAPTOR, 1013-6	1		
21-32	K3101221770	HOSE, WP70-6-2-1770	1		
21-33	K3105410600	HOSE, WP210-12-1-600	2		
21-34	K3008000042-Y	ADAPTOR, 90 DEG 1086-12	2		
21-35	K4260000230	CLAMP, PIPE LNG15/15	1		
21-36	GM1700-0702Z2-Y	PIPE, FRONT MOTOR (L)	1		
21-37	K3008000282-Y	ELBOW, WITH CHECK VALVE DFE0953	1		

## 22. Hydraulic section G

GM1700

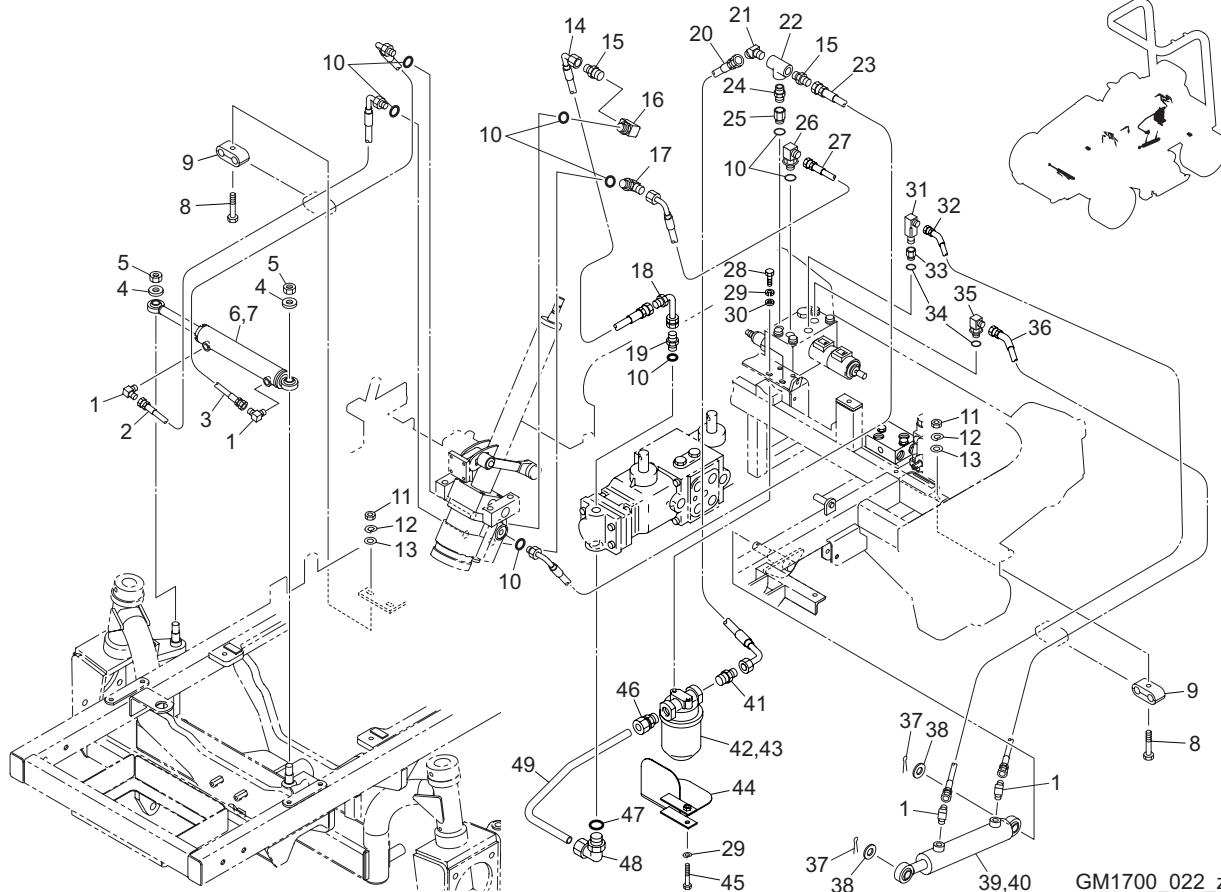


GM1700\_022\_z00

Cat No.	Code No.	Part name	Qty	Remark	SN of application
22-1	K3001060002-Y	ELBOW, 90 DEG 1033-6	4		
22-2	K3145000930	HOSE, STEERING 1450	1		
22-3	K3145000920	HOSE, STEERING 1130	1		
22-4	K0215140001	WASHER, DISK SPRING H M14-2	2		
22-5	K0145140002	NUT, WITH F-RING, P1.5 M14	2		
22-6	K3213000370	CYLINDER, DOUBLE ACTING 35-181-446	1		
22-7	YK321300014D-SK	SEAL KIT, CYLINDER	1		
22-8	K0000060402	BOLT, M6-40	2		
22-9	K4260000230	CLAMP, PIPE LNG15/15	2		
22-10	K0881014000	O-RING, P14B	8		
22-11	K0100060002	NUT, M6	2		
22-12	K0200060002	WASHER, SPRING M6	2		
22-13	K5000060002	WASHER, M6	2		
22-14	K3103330350	HOSE, WP140-9-3-350	1		
22-15	K3000090002-Y	ADAPTOR, 1013-9	1		
22-16	K3008000072-Y	ADAPTOR, 90 DEG 1125-9	1		
22-17	K3008000032-Y	ADAPTOR, 90 DEG 1086-9	1		
22-18	K302506L062-Y	ADAPTOR, FOR PIPE 06L-06	1		
22-19	K3009000142-Y	ADAPTOR, PF3/8PF3/8	1		
22-20	K3101330300	HOSE, WP70-9-3-300	1		
22-21	K3003090002-Y	ELBOW, 45 DEG 1035-9	1		
22-22	K3021060002-Y	TEE, TEF PT3/8	1		
22-23	K3145000840	HOSE, NWP70-9-1750	1		
22-24	K3023060001-Y	NIPPLE, NS PT3/8	1		
22-25	K3029000072-Y	BUSHING, PF3/8*PT3/8	1		
22-26	K3008000032-Y	ADAPTOR, 90 DEG 1086-9	1		
22-27	K3103331700	HOSE, WP140-9-3-1700	1		
22-28	K0000080202	BOLT, M8-20	2		
22-29	K0200080002	WASHER, SPRING M8	3		
22-30	K5000080002	WASHER, M8	2		

## 22. Hydraulic section G

GM1700

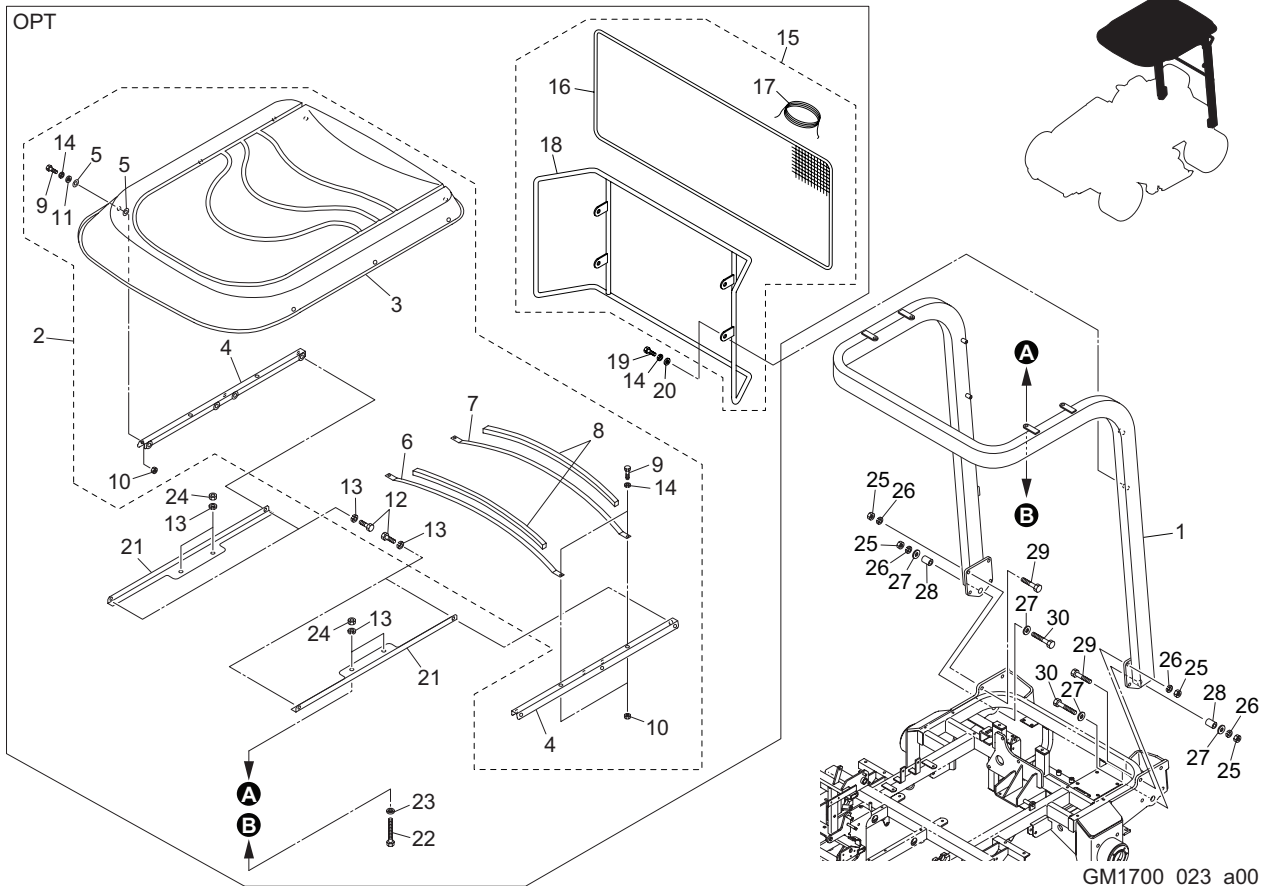


GM1700\_022\_z00

Cat No.	Code No.	Part name	Qty	Remark	SN of application
22-31	K3005000012-Y	ELBOW, LONG 1/4	1		
22-32	K3101221340	HOSE, WP70-6-2-1340	1		
22-33	K3029000032-Y	BUSHING, PF1/4*PT1/4	1		
22-34	K0881011000	O-RING, P11B	2		
22-35	K3008000442-Y	ADAPTOR, 90 DEG 1086-6	1		
22-36	K3101221220	HOSE, WP70-6-2-1220	1		
22-37	K0300032252	PIN, COTTER M3.2-25	2		
22-38	K5000160002	WASHER, M16	2		
22-39	K3213000350	CYLINDER, DOUBLE ACTING 35-140-312	1		
22-40	YIS-35A-SK	SEAL KIT, CYLINDER	1		
22-41	K3007000022-Y	ADAPTOR, ODD SIZED PT1/2*PF3/8	1		
22-42	K3412000010	FILTER, CARTRIDGE SP04	1		
22-43	K3412000050	FILTER, CARTRIDGE C-SP04-10	1		
22-44	GM1700-0731ZD	(SUBSTITUTE)	1		
22-45	K0000080502	GUARD, FILTER	1		
22-46	K3026615081-Y	BOLT, M8-50	1		
22-47	K0881018000	CONNECTOR, KCT 15-040E	1		
22-48	K3026415081-Y	O-RING, P18B	1		
22-49	GM1600-0719Z2-Y	NIPPLE, KLO15-040E PIPE, FOR PUMP B2 PORT	1		

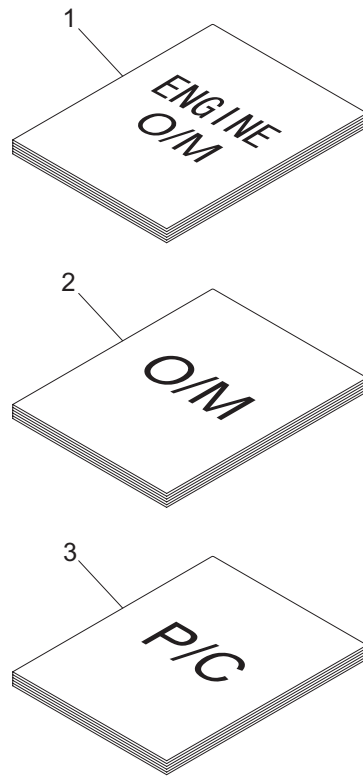
# 23a. ROPS section

GM1700



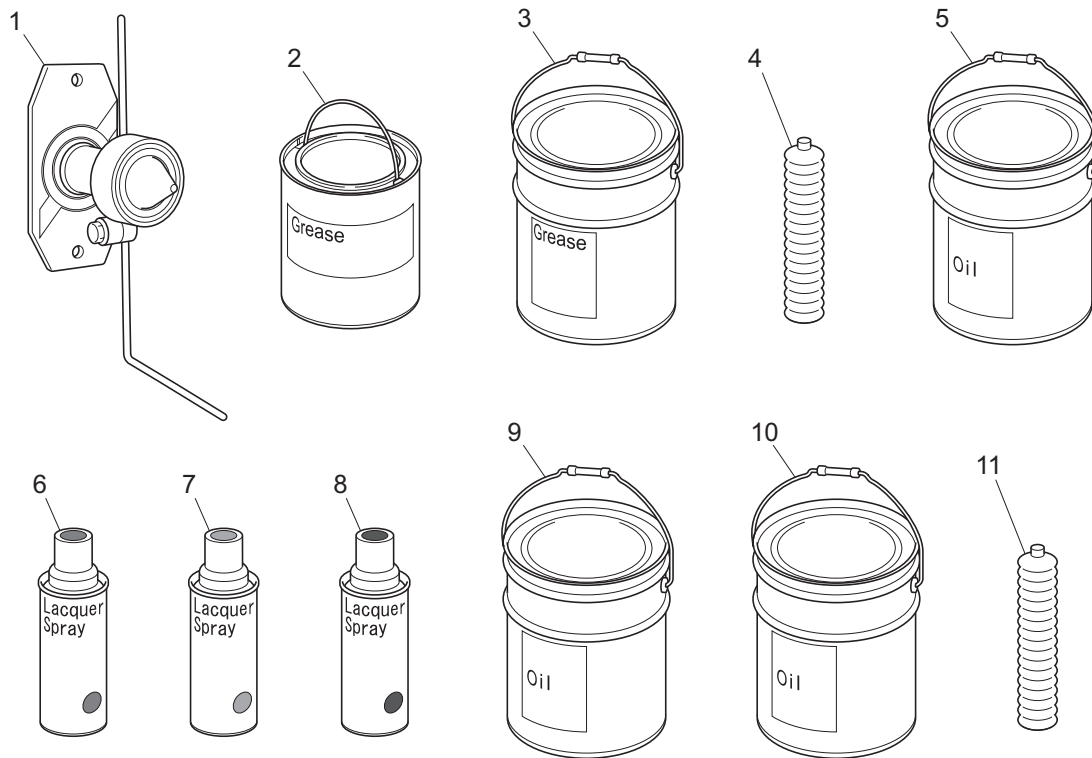
GM1700\_023\_a00

Cat No.	Code No.	Part name	Qty	Remark	SN of application
23a-1	GM1700-7001ZD	ROPS	1		
23a-2	K9120000030	ROOF ASSY	1		
23a-3	K1900000080	ROOF	1		
23a-4	K190000011D	SUPPORT, HOOD	2		
23a-5	K1900000130	RUBBER, FOR ROOF	8		
23a-6	K190000010D	ARCH, B	1		
23a-7	K190000009D	ARCH, A	1		
23a-8	K1900000120	SPONGE, URETHANE 20-20840	2		
23a-9	K0000080202	BOLT, M8-20	10		
23a-10	K0100080002	NUT, M8	10		
23a-11	K5012308352	WASHER, SPCC 2.3-8-35	6		
23a-12	K0000100202	BOLT, M10-20	4		
23a-13	K0200100002	WASHER, SPRING M10	8		
23a-14	K0200080002	WASHER, SPRING M8	14		
23a-15	GM1700-8302Z0	PROTECTIVE NET ASSY	1		
23a-16	K4130000010	NET, BALL-PROOF 500*1375	1		
23a-17	K4140000010	ROPE, 2-6700	2		
23a-18	GM1700-8301ZD	FLAME, FOR BALL PROOF NET	1		
23a-19	K0000080152	BOLT, M8-15	4		
23a-20	K5000080002	WASHER, M8	4		
23a-21	K520500040D	PLATE, FOR FIXING ROOF	2		
23a-22	K0000100252	BOLT, M10-25	4		
23a-23	K5000100002	WASHER, M10	4		
23a-24	K0100100002	NUT, M10	4		
23a-25	K0100120002	NUT, M12	10		
23a-26	K0200120002	WASHER, SPRING M12	10		
23a-27	K5076012402	WASHER, SPHC 6-12-40	4		
23a-28	K6212000542	COLLAR, STKM M12.8-22-20	2		
23a-29	K0010120402	BOLT, HT M12-40	8		
23a-30	K0010120502	BOLT, HT M12-50	2		



GM1700\_024\_z00

Cat No.	Code No.	Part name	Qty	Remark	SN of application
24-1	PF1G398-8911-5	OWNERS MANUAL, ENGINE KUBOTA D1105 (JAPANESE)	1		
	PF1J987-8916-3	OWNERS MANUAL, ENGINE KUBOTA D1105 (ENGLISH)	1		
24-2	750102-58-A	OWNERS OPERATION MANUAL, GM1700	1		
24-3	750102-58-B	PARTS CATALOG, GM1700	1		



GM1700\_025\_z00

Cat No.	Code No.	Part name	Qty	Remark	SN of application
1	MAG-1000	BLADE BALANCER	1		
2	K2929002500	GREASE, DYNAMAX EP NO.1 2.5KG	1	GREASE	
3	K2929016000	GREASE, DYNAMAX EP NO.1 16KG	1	GREASE	
4	K2929000400	GREASE, DYNAMAX EP NO.1 400G	1	GREASE	
5	K2913100200	OIL, HYDRAULIC SHELL TELLUSS 46	1	HYDRAULIC OIL	
6	750301	SPRAY, LACQUERBARONESS WINE RED	1		
7	750302	SPRAY, LACQUERBARONESS LIGHT GRAY	1		
8	750304	SPRAY, LACQUER BARONESS DARK GRAY	1		
9	K2910400200	OIL, ENGINE SHELL ROTELLA W (20L)	1	ENGINE OIL	
10	K2912000200	OIL, MISSION COSMO MISSION OIL GL3-90	1	MISSION OIL	
11	K2922000400	GREASE, PYRONOC CC NO.0 400G	1	GREASE	

# MEMO

**BARONESS**<sup>®</sup>  
Quality on Demand



**KYOEISHA CO., LTD.**

Head Office 1-26, Miyuki-cho, Toyokawa, Tel : (0533)84-1390  
Aichi-Pref. 442-8530 Japan. Fax : (0533)89-3623